

## Welcome

Thank you for your purchase of the NS-TVM101 wall mount. It is a full-motion mount that allows the TV or monitor to tilt  $\pm 15^\circ$ , swivel  $\pm 15^\circ$ , and extend 8.8 inches (22.4 cm) from the wall. The cable tunnels can hide cables and can be cut and painted to any desired size and color.

## PARTS LIST

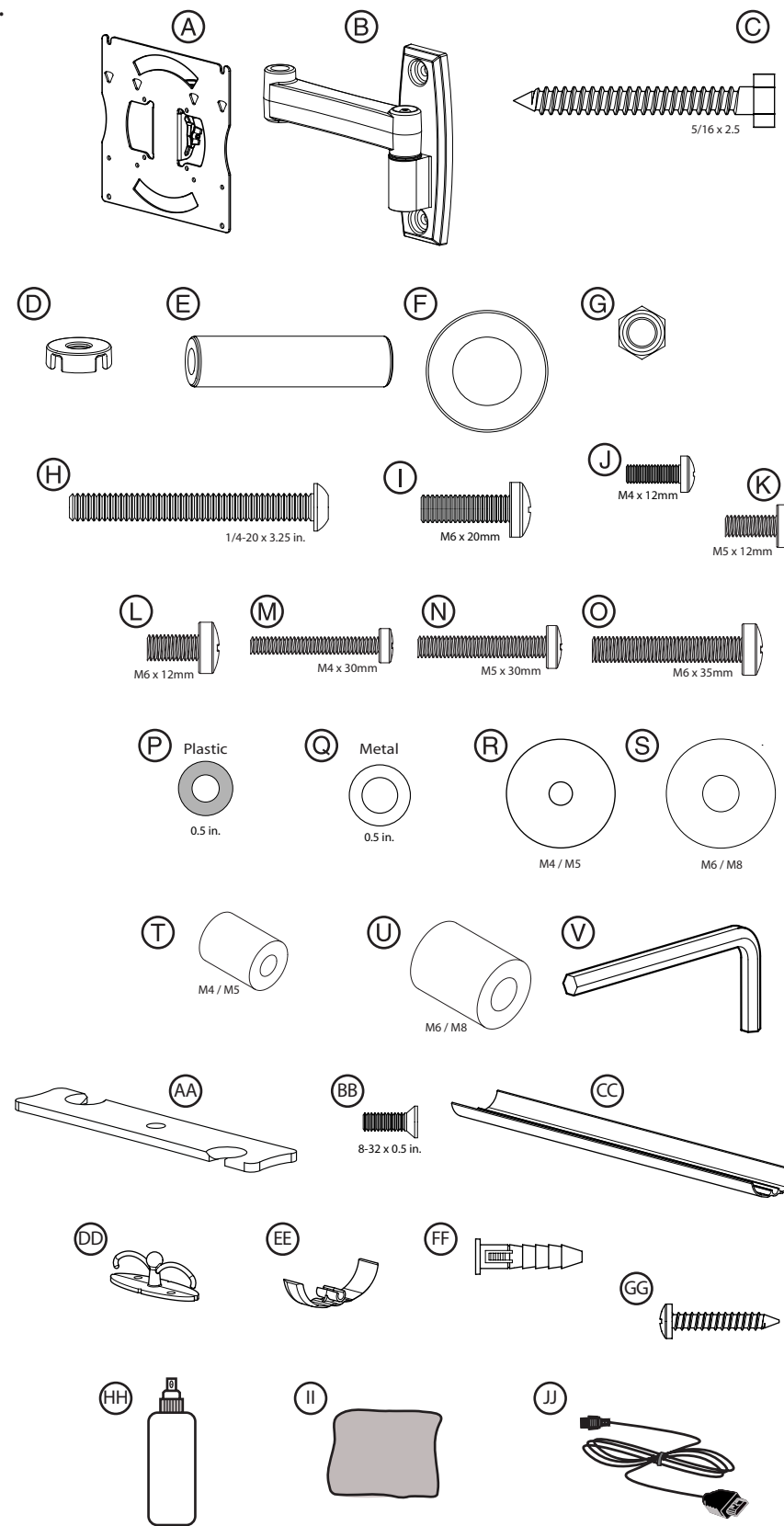
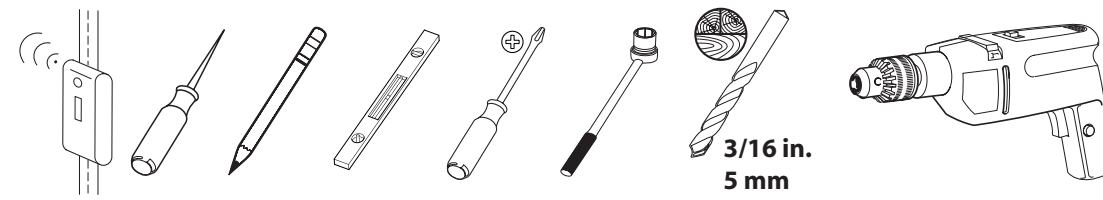
Before starting assembly, verify that all parts are included and undamaged. If any parts are missing or damaged, do not return the item to your dealer, but contact Customer Service. Never use damaged parts. Missing parts? Call (877) 467-4289.

**Note:** Not all parts will be used

- A TV bracket (1)
- B Wall bracket (1)
- C Lag bolt (2)
- D Hinge caps (6)
- E Swivel head bearing (1)
- F Swivel head washer (1)
- G Swivel head nut (1)
- H  $1/4" \times 3.25"$  (82.6 mm) bolt (1)
- I  $M6 \times 0.78"$  (20 mm) bolt (4)
- J  $M4 \times 0.47"$  (12 mm) bolt (4)
- K  $M5 \times 0.47"$  (12 mm) bolt (4)
- L  $M6 \times 0.47"$  (12 mm) bolt (4)
- M  $M4 \times 1.18"$  (30 mm) bolt (4)
- N  $M5 \times 1.18"$  (30 mm) bolt (4)
- O  $M6 \times 1.38"$  (35 mm) bolt (4)
- P Plastic  $0.5"$  (12.7 mm) washer (1)
- Q  $0.5"$  (12.7 mm) washer (2)
- R M4/M5 washer (8)
- S M6 washer (4)
- T M4/M5 spacer (4)
- U M6 spacer (4)
- V Allen (hex) wrench (1)
- AA Cable cover (1)
- BB Cable cover screw (2)
- CC Cable tunnel (3)
- DD Cable clip (6)
- EE Cable tunnel connector (2)
- FF Wall anchor for cable clip (12)
- GG Wall screw (12)
- HH Screen cleaner
- II Micro-fiber cleaning cloth
- JJ 9' in-wall rated HDMI cable (1)

### Tools you will need:

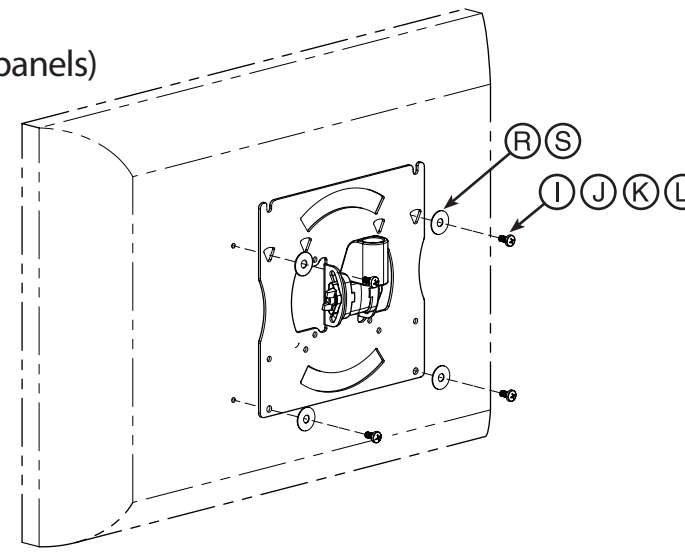
- Power drill
- $3/16"$  wood drill bit
- Phillips screwdriver
- Level
- Socket wrench with  $1/2"$  socket
- Pencil, awl, or other marking tool
- Stud finder



## 2 Flat Back Panel

Attach the TV bracket (for TVs with flat back panels)

**Tip:** Determine the diameter of the screw your TV requires by hand threading them into the threaded insert on the back of your TV. Stop immediately if you encounter any resistance.

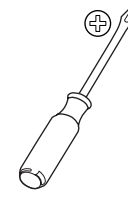
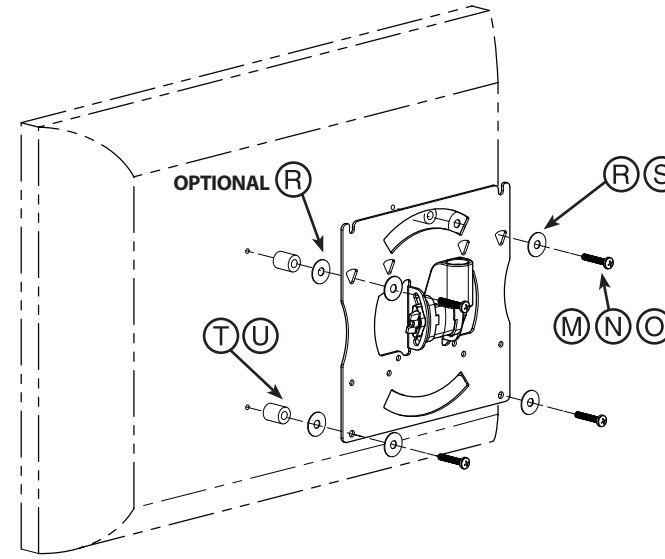


### Rounded or Angular Back Panel TVs

Attach the TV bracket (for TVs with rounded or angular back panels)

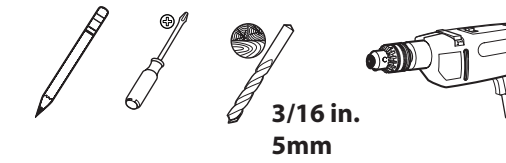
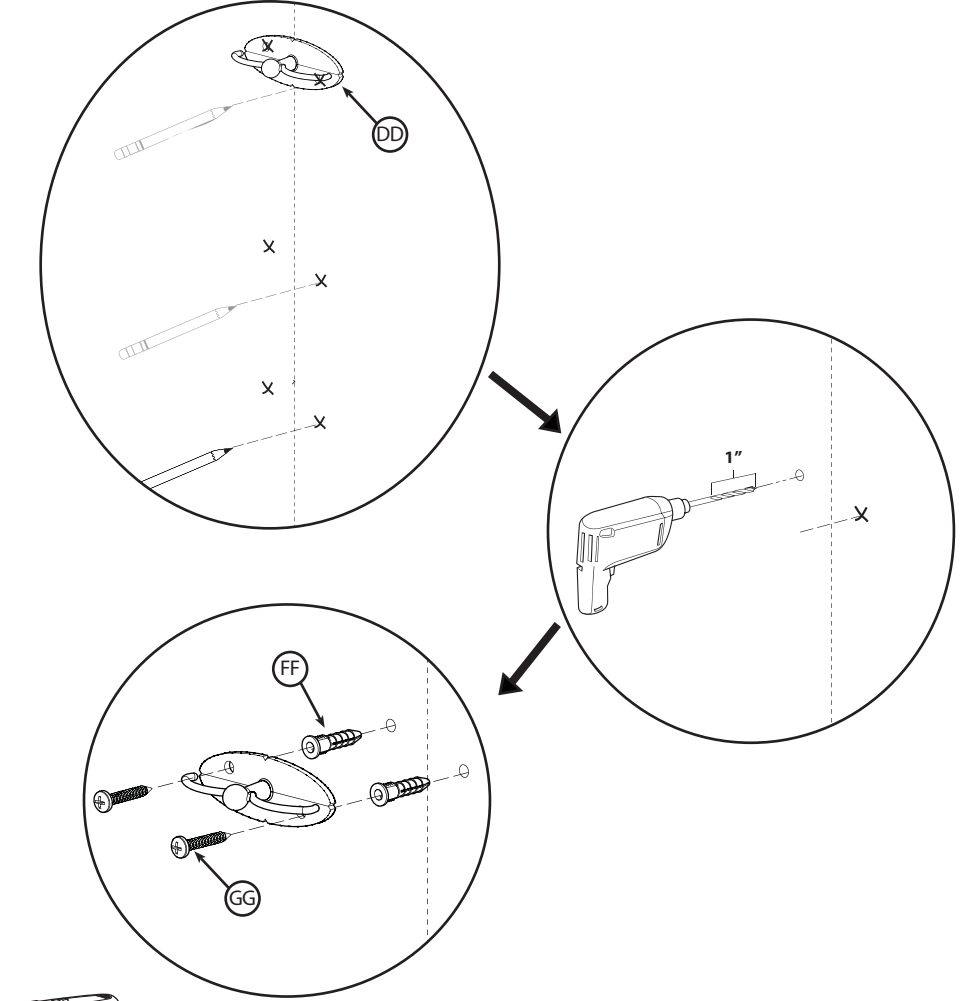
**Tip:** Determine the diameter of the screw your TV requires by hand threading them into the threaded insert on the back of your TV. Stop immediately if you encounter any resistance.

**Optional:** Use washer (R) with M4 or M5 hardware only.



## 6 Drywall

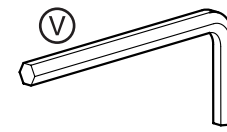
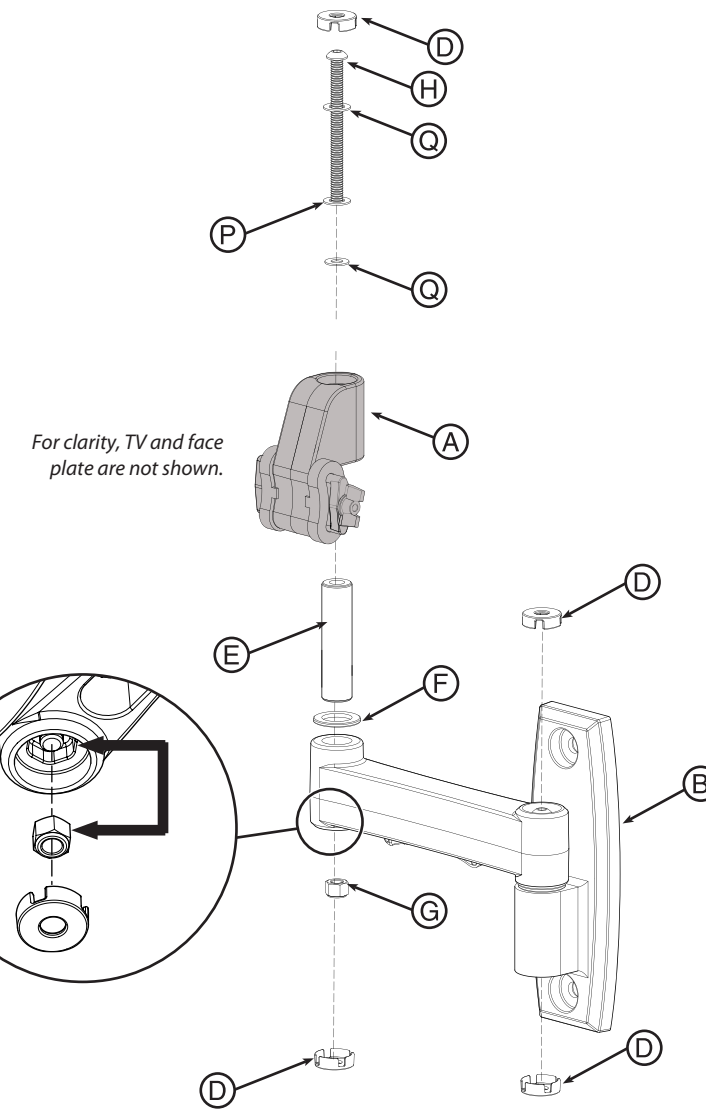
Install the cable clips on the drywall



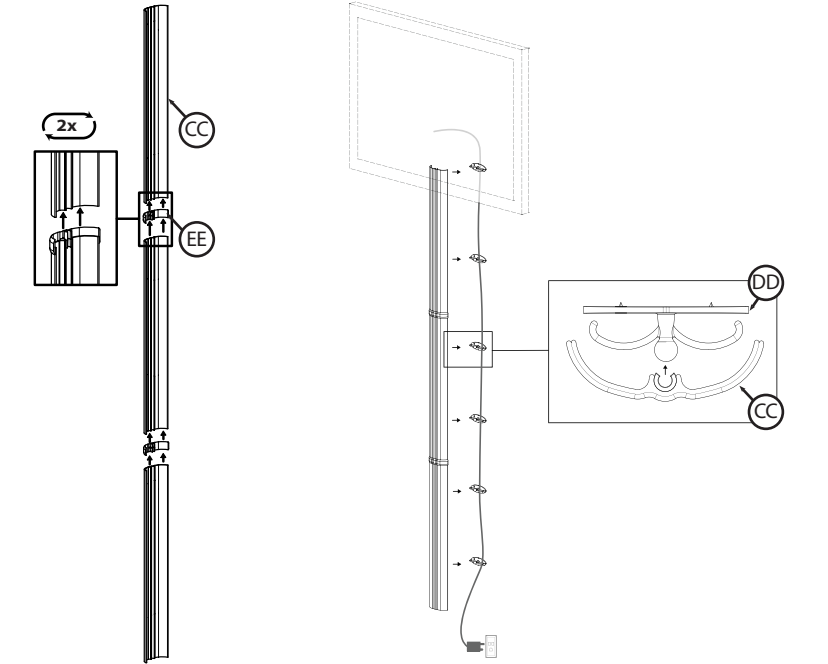
## 3 Mount the TV bracket to the wall bracket



**HEAVY!** You will need assistance with this step.



## 7 Connect cable covers CC and EE. Route cable. Install cable covers CC to DD.



## Important safety instructions

The NS-TVM101 TV mount is designed to support a TV or monitor weighing up to 40 lbs. (18.1 kg) mounted on a vertical wall.

### Caution

Do not use this product for any purpose not explicitly specified by Insignia. Improper installation may cause property damage or personal injury. If you do not understand these directions, or have doubts about the safety of the installation, contact Customer Service or call a qualified contractor. Insignia is not responsible for damage or injury caused by incorrect installation or use.

### Warnings

- The weight of your television must not exceed 40 lbs. (18.1 kg). The wall must be capable of supporting five times the weight of the television, plus the wall mount. If you are unsure if your wall is capable of supporting this weight, contact Customer Service or a qualified contractor.
- This product contains small items that could be a choking hazard if swallowed. Keep these items away from young children.

### Three year warranty

Visit [www.insigniaproducts.com](http://www.insigniaproducts.com) for details.

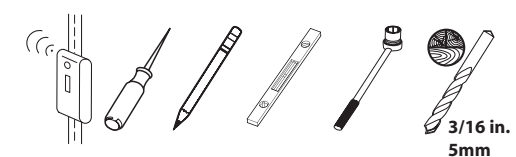
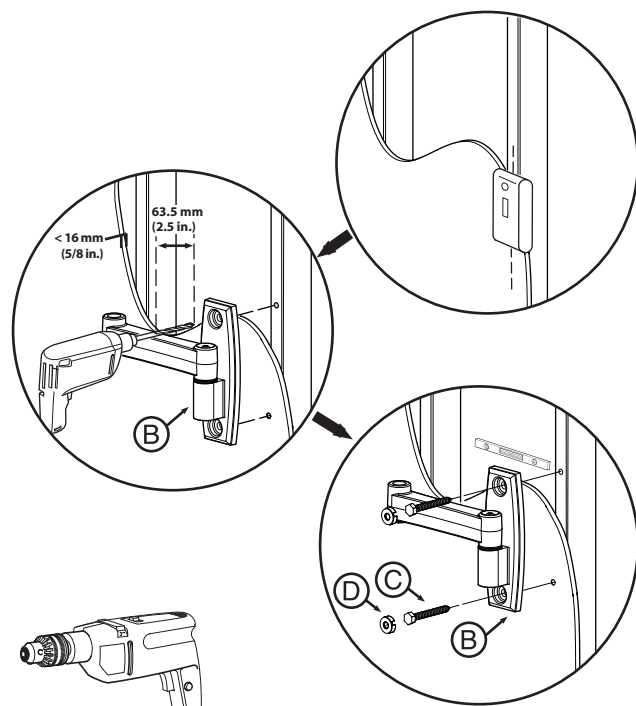
## 1 Wood Stud Wall

Attach the wall bracket to a wood stud wall

**Warning:** To avoid potential injuries or property damage, any material covering the wall must not exceed  $5/8"$  (16 mm).

**Caution:** Do not over-tighten the lag bolts (C).

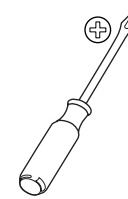
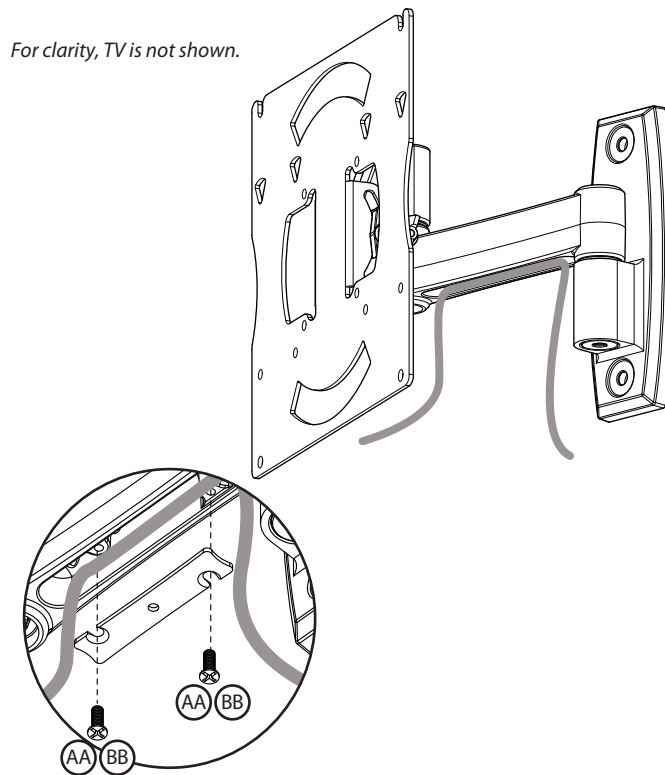
Tighten the lag bolts (C) only until they are pulled firmly against the wall bracket (B).



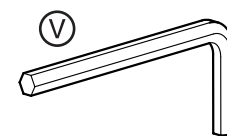
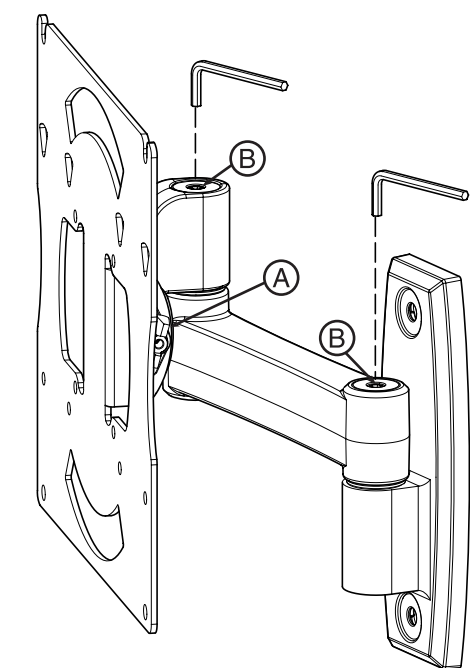
## 4 Conceal the cables in the arm

Route the cables through the arm, leaving enough slack to prevent stretching the cable when the arm is moved.

For clarity, TV is not shown.

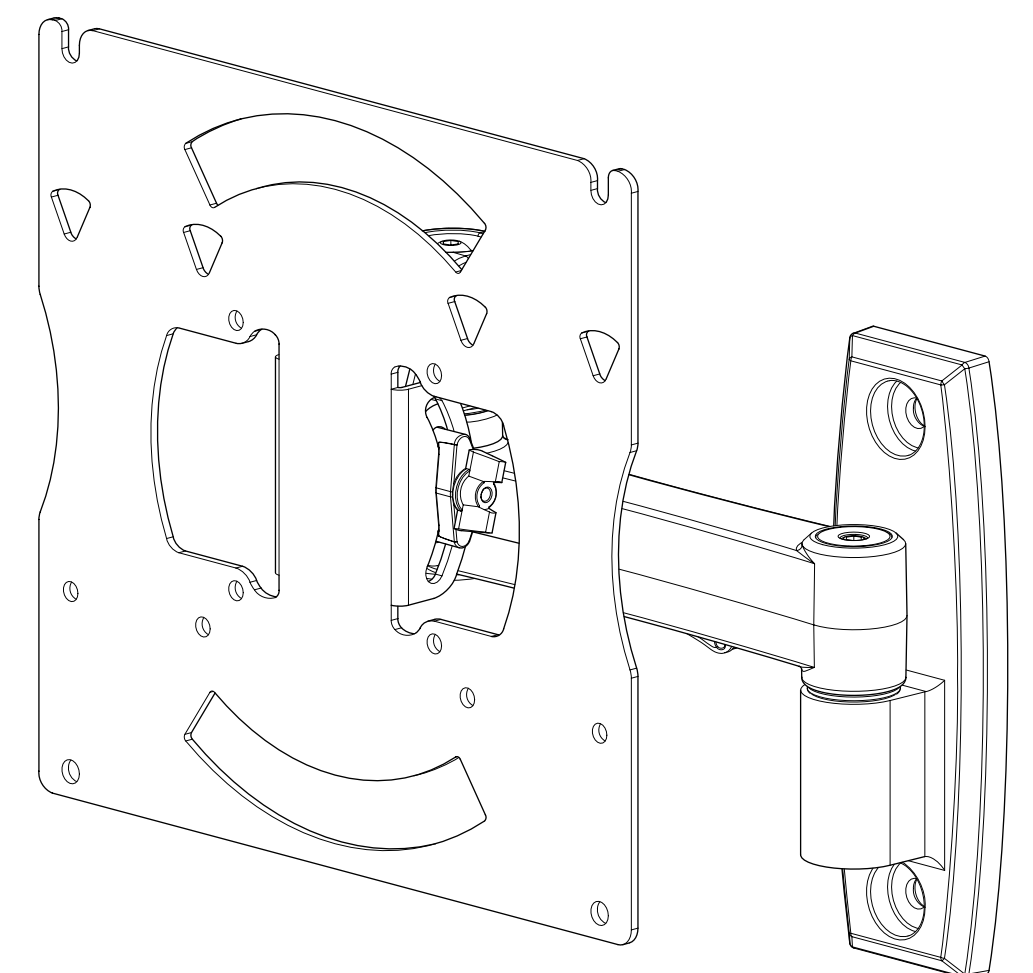


## 5 Use the head adjustment nut (A) to set the tension required to tilt the TV and the arm adjustment (B) to set the tension required to swivel or rotate the arm.



# INSIGNIA™

## NS-TVM101 TV Mount Kit (includes HDMI cable)



USER GUIDE

## Free Manuals Download Website

<http://myh66.com>

<http://usermanuals.us>

<http://www.somanuals.com>

<http://www.4manuals.cc>

<http://www.manual-lib.com>

<http://www.404manual.com>

<http://www.luxmanual.com>

<http://aubethermostatmanual.com>

Golf course search by state

<http://golfingnear.com>

Email search by domain

<http://emailbydomain.com>

Auto manuals search

<http://auto.somanuals.com>

TV manuals search

<http://tv.somanuals.com>