

### Installation Instructions



This Insignia Cable Pass-through Wall Plate provides a professional finish for in-wall cables. It is for use with a standard electrical box through which audio/video, computer, or other cables are routed.

#### Package contents

- Mounting template
- Plastic wall anchors (2)
- Mounting screws (2 long screws for electrical box, 2 screws for matching with wall anchors)
- Cable pass-through panel
- Pass-through panel lid
- *Quick Setup Guide*

#### Parts required for installation (not included)

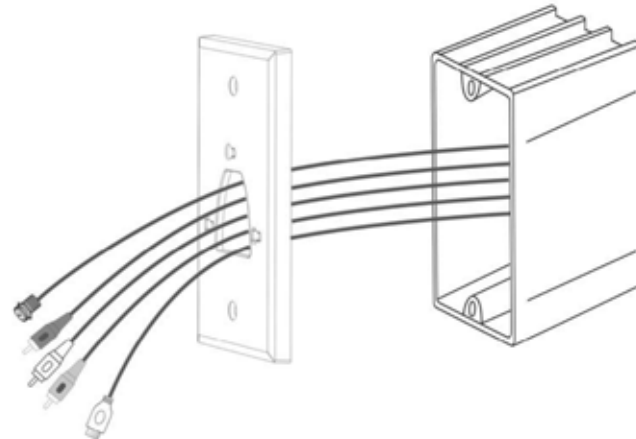
- Standard electrical box (single gang)
  - Screwdriver
- If installing on wall, the following tools will also be needed:
- Drill and 1/4" drill bit
  - Drywall saw (keyhole type saw with a narrow blade is recommended)
  - Hammer

### Installing the cable pass-through wall plate

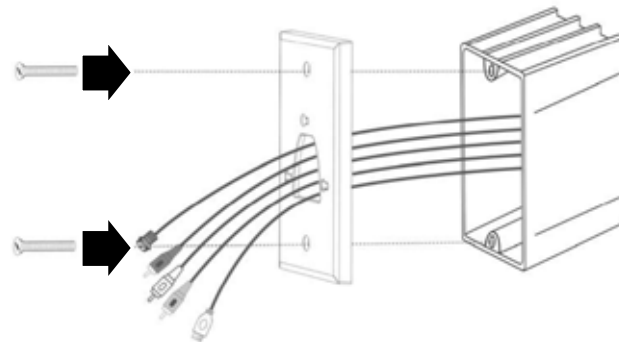
**NOTE:** This product is not designed to work with DVI or VGA cables.

- 1 Route cables coming from the electrical box through the cable pass-through panel.

**NOTE:** If necessary, if cables do not easily fit, the front cable cover can be removed from the back plate by sliding the cover to the left and removing it. The cover can be reinstalled by inserting the cover into the back plate holes and sliding the cover to the right.

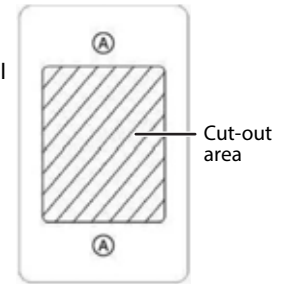


- 2 Attach the cable pass-through panel to the electrical box with the two included mounting screws.



**NOTE:** If mounting the wall plate without electrical box or junction box, please follow the below steps:

- A Position the included template on the wall where you want to mount the HDMI wall plate. Mark the rectangular cut-out area and mounting screw locations (A) with a pencil and remove the template.

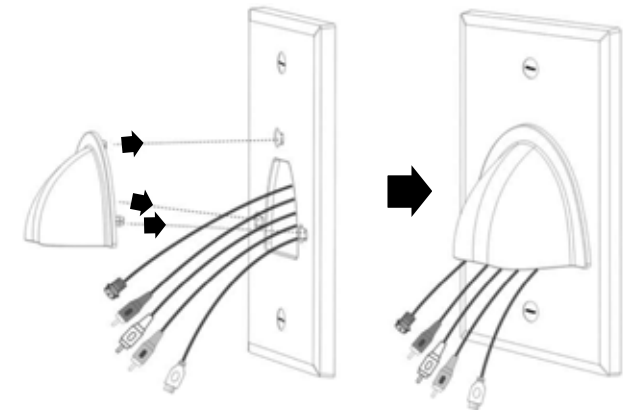


- B Using drywall saw (not included) cut a hole in the drywall no bigger than the dimensions of the cut-out area of the template.

- C Using a 1/4" drill bit, drill holes in the wall at the previously marked mounting screw locations (A).

- D With a hammer gently tap the two plastic wall anchors (included) into the holes for the mounting screw locations (A).

- 3 Snap the pass-through panel lid to the three corresponding holes on the cable pass-through panel.



#### One-year limited warranty

Visit [www.insigniaproducts.com](http://www.insigniaproducts.com) for details.

INSIGNIA is a trademark of Best Buy and its affiliated companies. Registered in some countries.  
Distributed by Best Buy Purchasing, LLC  
7601 Penn Ave South, Richfield, MN 55423 U.S.A.  
©2014 Best Buy. All rights reserved.  
Made in China

## Free Manuals Download Website

<http://myh66.com>

<http://usermanuals.us>

<http://www.somanuals.com>

<http://www.4manuals.cc>

<http://www.manual-lib.com>

<http://www.404manual.com>

<http://www.luxmanual.com>

<http://aubethermostatmanual.com>

Golf course search by state

<http://golfingnear.com>

Email search by domain

<http://emailbydomain.com>

Auto manuals search

<http://auto.somanuals.com>

TV manuals search

<http://tv.somanuals.com>