



Two-Way Radio | Radio Bidireccional

NS-F1112

Download from Www.Somanuals.com. All Manuals Search And Download.

Insignia NS-F1112 Two-Way Radio

Contents

Introduction	1
Features	2
Setting up your radio	5
Using your radio	7
Maintaining your radio	14
Troubleshooting	15
Specifications	15
Español	22

Introduction

Congratulations on your purchase of a high-quality Insignia product. Your NS-F1112 represents the state of the art in two-way radio design and is designed for reliable and trouble-free performance.

This guide explains how to correctly operate and get the best performance from your radio. Read this user guide carefully before using your radio, then keep it with your radio for quick reference.

Verify that the packaging contains:

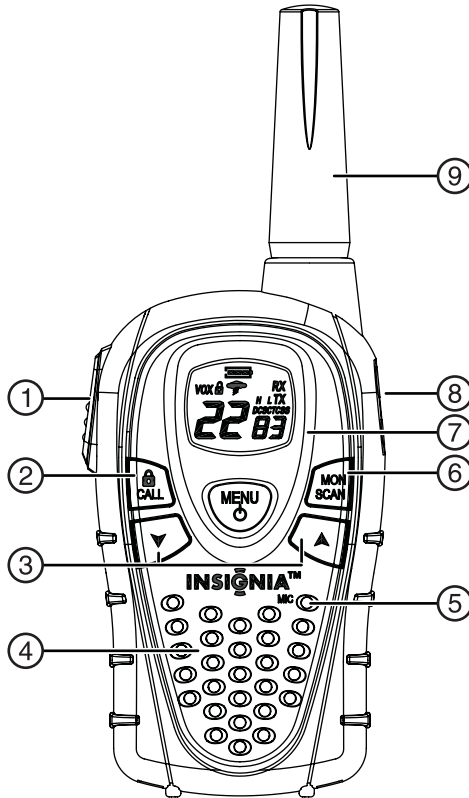
- 2 two-way radios
- 2 belt clips
- Dual desk charger
- AC adapter
- User guide

If any item is missing or damaged, contact Insignia at (877) 467-4289. Keep the box and packing materials so that you can store or transport your radio.

Features

- 22 channels
- Channel scan
- Auto squelch
- Auto battery save
- Keypad lock
- Roger beep
- Microphone/Headphone jacks
- Five call alerts
- 121 Privacy codes
- 3 levels of VOX
- NOAA weather radio
- Weather alert
- Backlit display
- Silent operation
- Monitor

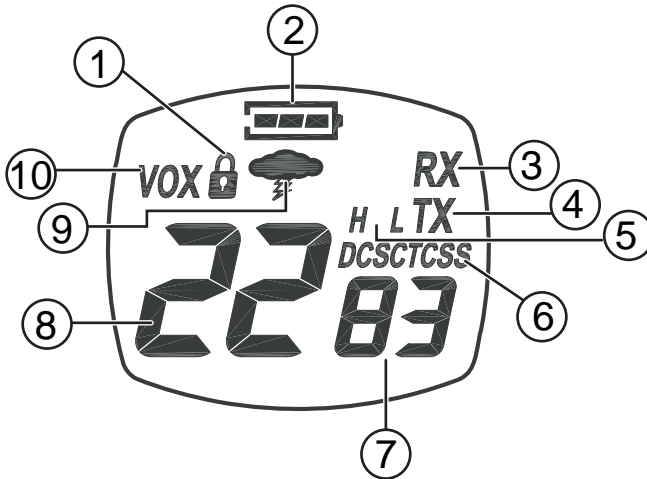
Controls and buttons



	Component	Description
1	PTT button	<ul style="list-style-type: none"> • Press and hold to transmit.
2	Call/Lock button	<ul style="list-style-type: none"> • Press to send a call alert signal. • Press and hold to lock the key pad.
3	Up and Down button	<ul style="list-style-type: none"> • Adjust the volume up and down. • Make adjustment in the menu.
4	Speaker	Provides sound when external speakers are not plugged in.
5	Microphone	Talk into the microphone while pressing the PTT button.
6	Monitor/Scan button	<ul style="list-style-type: none"> • Press to scan. • Press and hold to monitor channel activity.

	Component	Description
7	Power/Menu button	<ul style="list-style-type: none"> Press to access the menu. Press and hold to turn on or turn off the radio.
8	External speaker/microphone jacks	Plug in an external speaker and microphone or headset.
9	Antenna	Sends and receives the radio signals.

Display



	Indicator	Indicates
1	Key pad lock	Key lock is turned on.
2	Battery level	The battery level.
3	Receive	The radio is receiving a transmission.
4	Transmit	The radio is sending a transmission.
5	Transmit power level	The transmit power setting.
6	Privacy code (CTCSS/DCS)	The privacy code setting.
7	Privacy code (oF~38/oF~83)	The user privacy code setting.
8	Channel	The channel (1-22 on GMRS/FRS band or 1-10 on WX band).

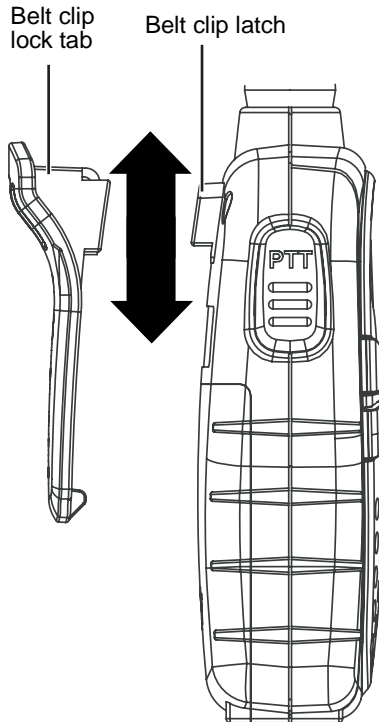
	Indicator	Indicates
9	NOAA weather (WX) band	The radio is switched to weather radio mode.
10	VOX	VOX is active.

Setting up your radio

Installing the belt clip

To install the belt clip:

- Slide the clip up into the slot on the back of the radio until the belt clip latch clicks.



To remove the belt clip:

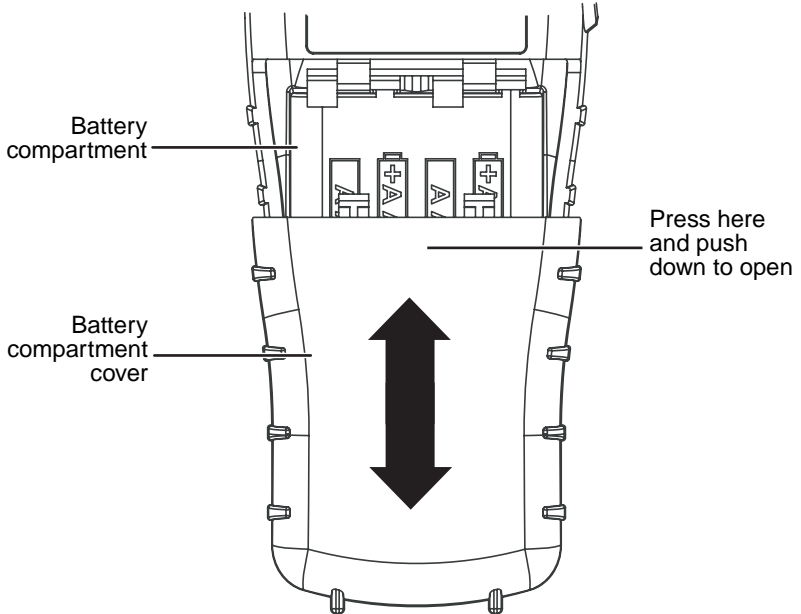
- Gently slide the belt clip down toward the bottom of the radio.

Installing Batteries

Your radio operates with either four AAA alkaline batteries or an NiMH rechargeable battery pack.

To install the batteries:

- 1 Remove the belt clip by sliding it off of the radio.
- 2 Remove the battery cover by pressing down on the top center and sliding it down from the radio.



- 3 Insert four AAA batteries or the battery pack. Make sure that the + and – symbols on the batteries or battery pack align with the + and – symbols in the battery compartment.

Caution

Installing the batteries incorrectly will prevent the radio from operating and can damage the radio.

- 4 Replace the battery cover.
- 5 Replace the belt clip.

Charging the battery pack

Your radio can use a rechargeable NiMH battery pack which can be recharged by inserting the AC adapter into the radio charge jack or by using the optional AC desktop charger. Initial charge time is 24 hours. Charge time is about 12 hours thereafter. Charge the battery pack when the low battery icon flashes on the display. Remove the radio from the charger when the battery pack is charged.

To charge the battery pack using the optional desktop charger:

- 1 Connect the AC adapter into an AC wall outlet.
- 2 Insert the adapter jack into the desktop charger jack.
- 3 Place the radio into the desktop charger slot. The desktop charger lights up to indicate the battery pack is charging.

Caution

Use only the batteries or the NiMH battery pack as indicated in this manual.

Do not attempt to charge alkaline batteries or any batteries or battery packs other than the ones indicated in this manual. This may cause leakage and damage the radio.

For long term storage of the radio, turn off the radio and remove the batteries.

Using the battery level indicator

Your radio has a battery level indicator that shows the battery level. The greater the number of bars visible, the stronger the battery level. When the battery level is low, the indicator does not have any bars and flashes to indicate your batteries should be replaced or recharged.

Using your radio

Turning the radio on and off

To turn the radio on or off:

- Press the **Power/Menu** button for more than three seconds. While the radio is turning on, you will hear 2 beeps with different tones. The LCD briefly displays all icons and shows the last channel selected.

Adjusting the volume

To adjust the volume:

- Press the **Up** button to increase the volume.
- Press the **Down** button to decrease the volume.

Communicating

To communicate, all radios in your group must be set to the same channel and privacy code.

To transmit messages:

- Press and hold the **PTT** button and speak in a normal voice into the microphone. For maximum clarity, hold the radio two to three inches from your mouth. The TX icon appears continuously on the display when transmitting.

To receive messages:

- Release the **PTT** button. The RX icon appears on the display when your radio is receiving a transmission.

Note

Your radio is designed to give you maximum range under the following conditions:

- Over water
- In rural areas without obstructions
- In flat areas where you can see the other person

To get the maximum range from your radio:

- Use fresh or fully charged batteries
- Use a GMRS channel. FRS channels are restricted by the FCC.
- Set the radio to use Hi power.

Monitoring

Using the monitor function, you can hear noise so you can adjust the volume level of the radio when it is not receiving a signal. You can also use the monitor function to check for any activity on the current channel before transmitting.

To turn the monitor function on and off:

- Hold down the **Monitor/Scan** button for three seconds.

Using a call alert

Your radio can transmit a call alert for a fixed length of time.

To send a call alert:

- Press the **Call/Lock** button. The TX icon appears while transmitting a call alert. The alert can be heard on the speaker.

To choose a call alert:

- 1 Press the **Power/Menu** button until a **CA** icon appears accompanied by the current call alert setting.
- 2 Use the **Up** or **Down** button to select one of the five alerts.
- 3 Press the **PTT** button to save your selection.

Scanning

Your radio can scan all of the 22 channels to check for any activity. When you are scanning, the **SCAN** icon appears on the display.

To scan for activity:

- Press the **Monitor/Scan** button. Your radio scans each of the 22 channels and stops on any active channel for about four seconds before resuming the scan.

To stop scanning:

- Press the **Monitor/Scan** button.

To stop scanning on a channel and transmit:

- Press the **PTT** button to transmit on an active channel.

To resume scanning:

- Press the **Monitor/Scan** button.

Locking the keypad

Lock the keypad to avoid accidentally changing the radio settings.

To lock the keypad:

- Press **Call/Lock** for four seconds. The Key Lock icon appears on the display. When the keypad is locked, the **PTT** button and the **Call/Lock** buttons are active.

To unlock the keypad:

- Press the **Call/Lock** button for four seconds.

Changing channels

Your radio has 22 channels available.

To change channels:

- 1 With the radio on, press the **Power/Menu** button until the current channel segment flashes.
- 2 Use the **Up** or **Down** button to change the channel.
- 3 Press the **PTT** button to save the new channel.

Setting privacy codes

Your radio has 121 privacy codes available. You can select a different privacy code for each channel.

To select a privacy code for the current channel:

- 1 Press the **Power/Menu** button twice.
- 2 Press the **Up** or **Down** buttons to select one of the 38 CTCSS privacy codes.
-OR-

Press the **Power/Menu** button again and the **Up** or **Down** button to select one of the 83 DCS privacy codes. The Privacy Code icon on the display indicates whether you set your privacy code in CTCSS or DCS mode.

- 3 Press the **PTT** button to confirm the selection.

Note

If you select any CTCSS privacy code, any pre-selected DCS privacy code is cancelled and vice-versa. Selecting a privacy code of **oF** disables the privacy feature. To communicate between two radios, all radios in your group must be set to the same channel and privacy code selections.

Selecting the transmit (TX) power level

Your radio has two power level settings.

To select the power level on channels 1~7 and 15~22:

- 1 Press the **Power/Menu** button until a **Pr** icon appears blinking on the display.
- 2 Press the **Up** or **Down** buttons to select **TRANSMIT POWER LEVEL** icon (H: Hi/L: Lo).

- 3 Press the **PTT** button to confirm the selection.

Notes

When the **PTT** button is pressed during the low battery level condition, the TX Power automatically switches from Hi(H) to Lo(L) level.

You cannot adjust the power setting on the FRS channels (8~14). They are set to Low power per FCC regulations.

Setting the VOX level

Your radio has 3 VOX level settings: (oF/1/2/3).

To set VOX:

- 1 Press the **Power/Menu** button until the display shows **VOX** blinking and on the right of the **CHANNEL NUMBER** display, an **oF** icon appears.
- 2 Select **1**, **2**, or **3** by pressing the **Up** or **Down** buttons, then pressing the **PTT** key.

VOX is more sensitive on the **1** setting than on the **3** setting.

To turn VOX off:

- 1 Press the **Power/Menu** button until the display shows **VOX** blinking and on the right of the **CHANNEL NUMBER** display, a **1**, **2** or **3** icon appears.
- 2 Select **oF** by pressing the **Up** or **Down** button, then pressing the **PTT** key.

Adjusting the roger beep tone

Whenever you release the **PTT** button, a roger beep tone may be transmitted to let your friends know you are finished talking.

To turn the roger beep tone on:

- 1 Press **Power/Menu** button until the **rb** icon appears on the display.
- 2 Press the **Up** or **Down** button to set the roger beep tone on.
- 3 Press **PTT** to save your selection.

To turn the roger beep tone off:

- 1 Press the **Power/Menu** button until the display shows the **rb** icon blinking, while on the right of the **rb**, an **on** icon appears.
- 2 Select **oF** by pressing the **Up** or **Down** buttons, then pressing the **PTT** button.

Using silent operation mode

Your radio has a silent operation mode. In this mode, all **beeps** and **tones** are disabled.

To turn the silent operation mode on:

- 1 Press the **Power/Menu** button until the display shows a **bP** icon and on the right of the **bP** icon, an **on** icon appears.
- 2 Select **oF** by pressing the **Up** or **Down** buttons, then pressing the **PTT** or **Power/Menu** button.

To turn the silent operation mode off:

- 1 Press the **Power/Menu** button until the display shows a **bP** icon and on the right of the **bP** icon, an **oF** icon appears.
- 2 Select **on** by pressing the **Up** or **Down** buttons, then pressing the **PTT** or **Power/Menu** button.

Using NOAA weather radio

Your radio has a NOAA weather radio function that lets you receive weather reports from designated NOAA stations.

To turn the NOAA weather (WX) radio on:

- 1 Press the **Power/Menu** button until the **WX Band** icon appears and an **oF** icon appears.
- 2 Select **on** by pressing the **Up** or **Down** button, then pressing the **Power/Menu** button to confirm. The display shows the current WX band channel setting and the WX band icon.
- 3 While in WX band mode, press the **Power/Menu** button once, then press the **Up** or **Down** button to select one of the 10 NOAA weather (WX) band channels.

To turn the NOAA WEATHER RADIO off:

- Press the **PTT** button. The current GMRS/FRS radio setting is displayed and the **WX BAND** icon goes off.

Using weather alert

Your radio has a NOAA weather alert function that lets you automatically receive weather alerts from designated NOAA stations.

To turn the NOAA weather (WX) alert on:

- 1 Press the **Power/Menu** button twice while in WX Band. The display shows an **AL** icon, while on the right of the **AL** icon, a blinking **oF** icon appears.
- 2 Select **on** by pressing the **Up** or **Down** buttons, then pressing the **PTT** or **Power/Menu** button. The radio returns to WX band and the WX band icon blinks.

If the radio receives a weather alert signal from a designated NOAA station while in GMRS/FRS radio mode, the radio beeps for ten seconds while an **AL** and **In** icon appear on the display and the radio automatically goes to WX band.

If you press any of the buttons while the radio is beeping and it is in GMRS/FRS radio mode, the radio automatically goes to WX band.

To turn the NOAA weather (WX) alert off:

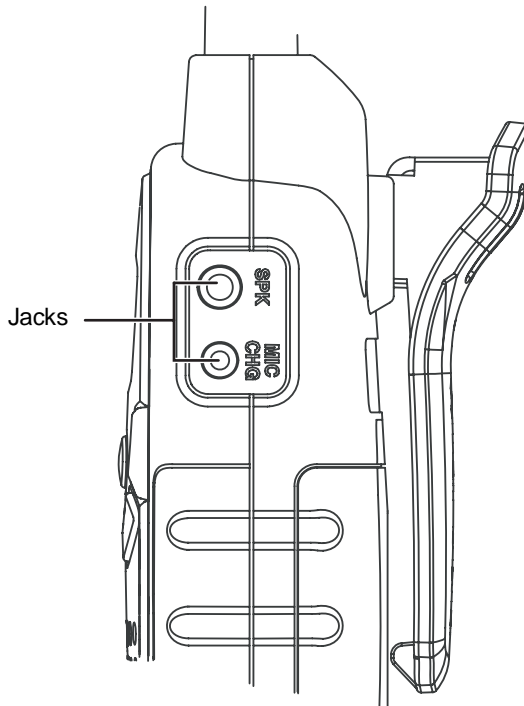
- 1 Press the **Power/Menu** button twice while in WX band. The display shows an **AL** icon, while on the right of the **AL** icon, a blinking **on** icon appears.
- 2 Select **oF** by pressing the **Up** or **Down** buttons, then pressing the **PTT** or **Power/Menu** button.

Using an external speaker and microphone or headset

Your radio can be used with an optional external speaker and microphone or headset.

To use an external speaker and microphone or headset:

- 1 Insert the plug(s) into the speaker and microphone jacks.



- 2 Place the earbud into your ear and adjust the microphone to the level you want.

Maintaining your radio

- Do not use alcohol or cleaning solutions to clean the radio.
- Do not immerse the radio in water.
- Use a soft damp cloth to clean the radio.
- Dry the radio with a dry lint-free cloth should it get wet.
- Turn off the radio and remove the batteries during long-term storage.

Troubleshooting

Problem	Solution
No power	<ul style="list-style-type: none"> • Check the battery installation • Replace the batteries
Cannot receive messages	<ul style="list-style-type: none"> • Make sure that the radios have the same channel and privacy code settings. • Make sure that you are within range of the other transceivers. • Buildings and other obstructions may interfere with your communication.
Radio is not responding to button presses	<ul style="list-style-type: none"> • Make sure that the key lock is not on. • Radio might need to be reset. Turn the radio off then on. • Make sure that the accessory microphone is set properly.
Display is dim	<ul style="list-style-type: none"> • Recharge or replace the batteries.
Charger not functioning	<ul style="list-style-type: none"> • Contacts on the bottom of the radio may require cleaning. • Make sure that the outlet that the charger is plugged into is functioning properly. • Check that the batteries are installed into the radio properly.

Specifications

Specification

Channels: 22 channels

Privacy codes: 121

NOAA weather (WX) band channels: 10

Operating Frequency: UHF 462.5500 ~467.7125 MHz

Power Source: four AAA alkaline or 4.8 V rechargeable Ni-MH battery pack

GMRS/FRS Frequency Chart (MHz)

Channel number	Channel frequency
1	462.5625
2	462.5875
3	462.6125
4	462.6375

Channel number	Channel frequency
5	462.6625
6	462.6875
7	462.7125
8	467.5625
9	467.5875
10	467.6125
11	467.6375
12	467.6625
13	467.6875
14	467.7125
15	462.5500
16	462.5750
17	462.6000
18	462.6250
19	462.6500
20	462.6750
21	462.7000
22	462.7250

Channels 8-14 are low-power FRS license free channels.

NOAA Weather (WX) Radio Frequency Chart (MHz)

Channel number	Channel frequency
1	162.550
2	162.400
3	162.475
4	162.425
5	162.450
6	162.500
7	162.525
8	161.650
9	161.775
10	163.275

Channels 8, 9, and 10 are designated Canadian Marine frequencies.

Privacy Codes Frequency Chart (MHz)

Privacy codes can be programmed for use on any channel.

Code	Frequency
1	67.0
2	71.9
3	74.4
4	77.0
5	79.7
6	82.5
7	85.4
8	88.5
9	91.5
10	94.8
11	97.4
12	100.0
13	103.5
14	107.2
15	110.9
16	114.8
17	118.8
18	123.0
19	127.3
20	131.8
21	136.5
22	141.3
23	146.2
24	151.4
25	156.7
26	162.2
27	167.9
28	173.8
29	179.9
30	186.2
31	192.8
32	203.5

Code	Frequency
33	210.7
34	218.1
35	225.7
36	233.6
37	241.8
38	250.3

DCS Privacy Code Chart

Privacy codes can be programmed for use on any channel.

No.	Code	No.	Code	No.	Code
1	023	29	174	57	445
2	025	30	205	58	464
3	026	31	223	59	465
4	031	32	226	60	466
5	032	33	243	61	503
6	043	34	244	62	506
7	047	35	245	63	516
8	051	36	251	64	532
9	054	37	261	65	546
10	065	38	263	66	565
11	071	39	265	67	606
12	072	40	271	68	612
13	073	41	306	69	624
14	074	42	311	70	627
15	114	43	315	71	631
16	115	44	331	72	632
17	116	45	343	73	654
18	125	46	346	74	662
19	131	47	351	75	664
20	132	48	364	76	703
21	134	49	365	77	712
22	143	50	371	78	723
23	152	51	411	79	731

No.	Code	No.	Code	No.	Code
24	155	52	412	80	732
25	156	53	413	81	734
26	162	54	423	82	743
27	165	55	431	83	754
28	172	56	432		

FCC

Warning

This equipment may generate or use radio frequency energy. Changes or modifications to this equipment may cause harmful interference unless the modifications are expressly approved in this manual. The user could lose the authority to operate this equipment if an unauthorized change or modification is made.

Warning**Exposure To Radio Frequency Energy**

Your Insignia radio is designed to comply with the following national and international standards and guidelines regarding exposure of human beings to radio frequency electromagnetic energy:

- United States Federal Communications Commission, Code of Federal Regulations: 47 CFR part 2 sub-part J
- American National Standards Institute (ANSI)/ Institute of Electrical & Electronic Engineers (IEEE) C95. 1-1992
- Institute of Electrical and Electronic Engineer (IEEE) C95. 1-1999 Edition
- National Council on Radiation Protection and Measurements (NCRP) of the United States, Report 86, 1986
- International Commission on Non-Ionizing Radiation Protection (ICNIRP) 1998

To control your exposure and ensure compliance with the general population or uncontrolled environment exposure limits, transmit no more than 50% of the time. The radio generates measurable RF energy exposure only when transmitting.

Regulatory information: FCC Part 15

This equipment has been tested and found to comply with the limits for a Class B digital device, pursuant to Part 15 of the FCC Rules. These limits are designed to provide reasonable protection against harmful interference when the radio is operated in a residential installation. This radio generates, uses, and can radiate radio frequency energy and, if not installed and used in accordance with this manual, may cause harmful interference to radio communications. However, there is no guarantee that interference will not occur in a particular installation. If this radio does cause harmful interference to radio or television reception, which can be determined by turning the radio off and on, the user is encouraged to try to correct the interference by one or more of the following measures:

- Reorient or relocate the receiving antenna.
- Increase the separation between the radio and receiver.
- Consult the dealer or an experienced radio technician for help.

GMRS License

The NS-F1112 operates on GMRS (General Mobile Radio Service) frequencies which require an FCC (Federal Communications Commission) license. You must be licensed prior to operating on channels 1 - 7 or 15 - 22, which comprise the GMRS channels of the NS-F1112. Serious penalties could result for unlicensed use of GMRS channels, in violation of FCC rules, as stipulated in the Communications Act's Sections 501 and 502 (amended).

You will be issued a call sign by the FCC which should be used for station identification when operating the radio on GMRS channels. You should also cooperate by engaging in permissible transmissions only, avoiding channel interference with other GMRS users, and being prudent with the length of their transmission time.

To obtain a license or ask questions about the license application, contact the FCC at 1-888-CALL FCC or go to the FCC's website: www.fcc.gov/services/personal/generalmobile/licensing.html

Legal notices

© 2006 Insignia. Insignia and the Insignia logo are trademarks of Best Buy Enterprise Services, Inc. Other brands and product names are trademarks or registered trademarks of their respective holders. Specifications and features are subject to change without notice or obligation.

For service and support call (877) 467-4289.

Radio Bidireccional NS-F1112 de Insignia

Contenido

Introducción	22
Características	23
Preparación de su radio	27
Uso de su radio	29
Mantenimiento de su radio	37
Localización y Corrección de Fallas	38
Especificaciones	38

Introducción

Felicitaciones por su compra de un producto de alta calidad de Insignia. Su NS-F1112 representa el más moderno diseño de radios bidireccionales y está concebido para brindar un rendimiento confiable y sin problemas.

Esta guía explica cómo operar correctamente y obtener el mejor rendimiento de su radio. Lea esta guía del usuario cuidadosamente antes de instalar su radio, luego guárdela cerca de su radio para una referencia rápida.

Verifique que el paquete contenga lo siguiente:

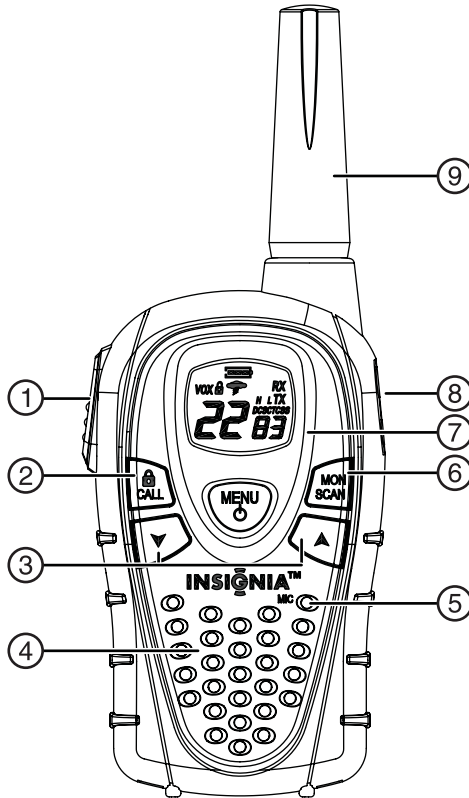
- 2 radios bidireccionales
- 2 clips de cinturón
- Cargador doble de escritorio
- Adaptador de CA
- Guía del usuario

Si algún artículo falta o está dañado, comuníquese con Insignia al (877) 467-4289. Guarde la caja y los materiales de empaque en caso de que necesite almacenar o transportar su radio.

Características

- 22 canales
- Rastreo de canales
- Silenciador automático
- Ahorro automático de batería
- Bloqueo de teclado
- Roger beep (Pitido Roger)
- Tomas para micrófono/auriculares
- Cinco alertas de llamada
- 121 Códigos de privacidad
- 3 niveles de VOX
- Radio NOAA
- Alerta meteorológica
- Resistente al agua
- Pantalla retroiluminada
- Operación silenciosa
- Monitor

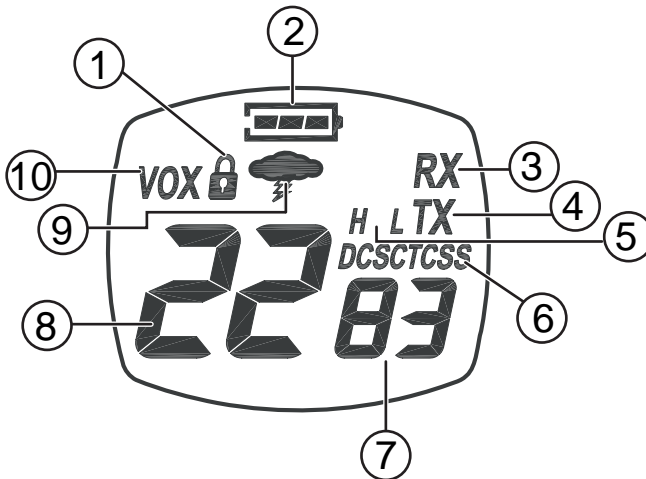
Controles y botones



	Componente	Descripción
1	Botón PTT	<ul style="list-style-type: none"> Mantenga presionado para transmitir.
2	Botón Llamar/ Bloquear	<ul style="list-style-type: none"> Presione para enviar una señal de alerta de llamada. Mantenga presionado para bloquear el teclado.
3	Botón Arriba y Abajo	<ul style="list-style-type: none"> Sube y baja el volumen. Hace ajustes en el menú.
4	Altavoz	Provee sonido cuando no se han conectado altavoces externos.
5	Micrófono	Hable con el micrófono mientras presiona el botón PTT (Presione para Hablar).

	Componente	Descripción
6	Botón Monitorear/Rastrear	<ul style="list-style-type: none"> • Presione para rastrear. • Mantenga presionado para monitorear la actividad del canal.
7	Botón Encendido/Menú	<ul style="list-style-type: none"> • Presione para acceder el menú. • Mantenga presionado para encender o apagar el radio.
8	Tomas para altavoz externo/micrófono	Conecte un altavoz externo y un micrófono o auricular.
9	Antena	Envía y recibe las señales de radio.

Pantalla



	Indicador	Indica
1	Bloqueo de teclado	El bloqueo de teclado está activo.
2	Nivel de batería	El nivel de batería.
3	Recibir	El radio está recibiendo una transmisión.
4	Transmitir	El radio está enviando una transmisión.
5	Nivel de potencia de transmisión	El ajuste de la potencia de transmisión.
6	Código de privacidad (CTCSS/DCS)	El ajuste del código de privacidad.

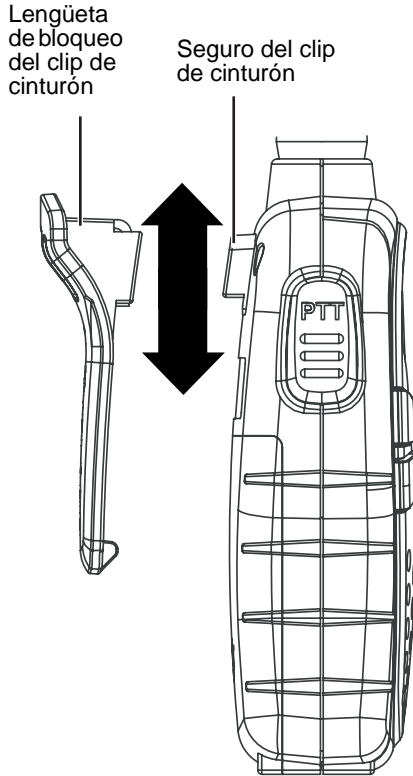
	Indicador	Indica
7	Código de privacidad (oF~38/oF~83)	El ajuste del código de privacidad del usuario.
8	Canal	El canal (1-22 en la banda GMRS/FRS o 1-10 en la banda WX).
9	Banda de radio NOAA (WX)	El radio se encuentra en el modo de radio NOAA.
10	Transmisión Operada por Voz (VOX)	La función VOX está activa.

Preparación de su radio

Instalación del clip de cinturón

Para instalar el clip de cinturón:

- Deslice el clip en la ranura en la parte de atrás del radio hasta que el seguro del clip de cinturón hace clic.



Para remover el clip de cinturón:

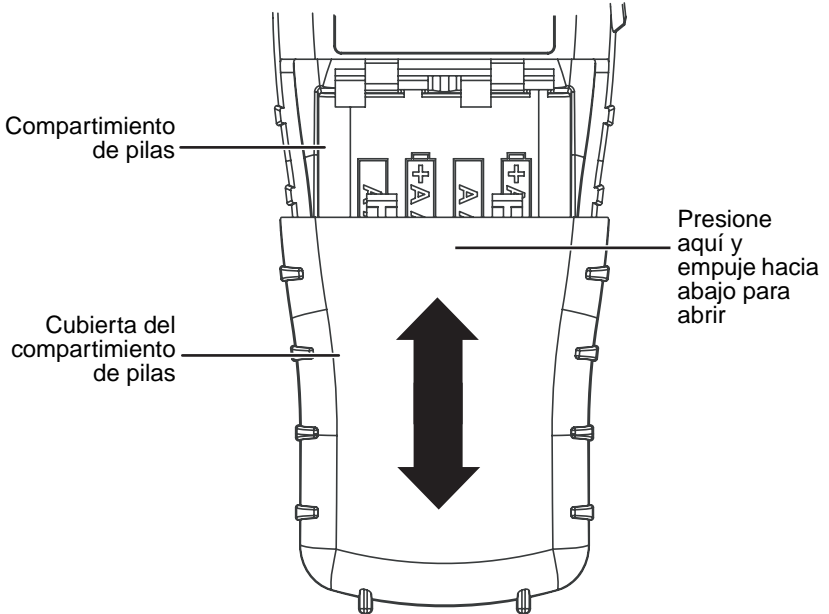
- Cuidadosamente deslice el clip de cinturón hacia la parte de abajo del radio.

Instalación de las Pilas

Su radio funciona ya sea con cuatro pilas alcalinas AAA o con una batería NiMH recargable.

Para instalar las pilas:

- 1 Remueva el clip de cinturón deslizándolo fuera del radio.
- 2 Remueva la cubierta de la batería presionando hacia abajo la parte superior central y deslizándola hacia abajo del radio.



- 3 Inserte cuatro pilas AAA o la batería recargable. Verifique que los símbolos + y – en las pilas o la batería recargable correspondan con los símbolos + y – en el compartimiento de las pilas.

Cuidado
 Instalar las pilas incorrectamente evitará que el radio funcione y puede dañar el radio.

- 4 Vuelva a colocar la cubierta de las pilas.
- 5 Vuelva a colocar el clip de cinturón.

Carga de la batería

Su radio puede usar una batería NiMH recargable el cual puede ser recargado si se inserta el adaptador de CA en el toma de carga del radio o si se usa el adaptador de CA de escritorio opcional. El tiempo de carga inicial es de 24 horas. A partir de entonces, el tiempo de carga será de 12 horas. Cargue la batería cuando el icono low battery (batería baja) parpadee en la pantalla. Retire el radio del cargador cuando la batería esté cargada.

Para cargar la batería con el cargador de escritorio opcional:

- 1 Conecte el adaptador de CA en un tomacorriente de CA.
- 2 Inserte el toma adaptador en el toma del cargador de escritorio.
- 3 Coloque el radio en la ranura del cargador de escritorio. El cargador de escritorio se iluminará para indicar que la batería se está cargando.

Cuidado

Utilice solo las pilas o la batería NiMH que se indican en este manual.

No intente cargar pilas alcalinas o cualquier otras pilas o baterías que no sean las indicadas en este manual. Esto puede causar goteos y daños al radio.

Para un almacenamiento de largo plazo del radio, apáguelo y saque las pilas.

Uso del indicador de nivel de batería

Su radio cuenta con un indicador de nivel de batería que muestra el nivel de la batería. Mientras más barras estén visibles, más fuerte será el nivel de la batería. Cuando el nivel de la batería es bajo, el indicador no tendrá ninguna barra y parpadeará para indicar que se deben reemplazar las pilas o recargar la batería.

Uso de su radio

Encendido y apagado del radio

Para encender o apagar el radio:

- Presione el botón **Power/Menu** (Encendido/Menú) por más de tres segundos.

Mientras el radio esté encendido, escuchará 2 pitidos de diferentes tonos. La pantalla LCD mostrará brevemente todos los iconos y el último canal seleccionado.

Ajuste del volumen

Para ajustar el volumen:

- Presione el botón **Up** (Arriba) para subir el volumen.
- Presione el botón **Down** (Abajo) para bajar el volumen.

Comunicación

Para comunicarse, todos los radios en su grupo deben estar en el mismo canal y el mismo código de privacidad.

Para transmitir mensajes:

- Mantenga presionado el botón **PTT** (Presione para Hablar) y hable por el micrófono con una voz normal. Para mayor claridad, sostenga el radio a dos o tres pulgadas de su boca. El icono TX aparece en la pantalla continuamente cuando se transmite.

Para recibir mensajes:

- Suelte el botón **PTT** (Presione para Hablar). El icono RX aparece en la pantalla cuando el radio está recibiendo una transmisión.

Nota

Su radio está diseñado para darle el rango máximo bajo las siguientes condiciones:

- Sobre agua
 - En áreas rurales sin obstrucciones
 - En áreas planas donde puede ver la otra persona
- Para obtener el rango máximo de su radio:
- Utilice pilas nuevas o completamente cargadas
 - Use un canal GMRS. Los canales FRS están restringidos por la FCC.
 - Ajuste el radio para usar la potencia alta.

Monitoreo

Por medio de la función de monitoreo, puede escuchar ruido para que pueda ajustar el nivel de volumen del radio cuando no está recibiendo una señal. También puede usar la función de monitoreo para verificar que no hay actividad en el canal actual antes de transmitir.

Para activar y desactivar la función de monitoreo:

- Mantenga presionado el botón **Monitor/Scan** (Monitorear/Rastrear) por tres segundos.

Uso de la alerta de llamada

Su radio puede transmitir una alerta de llamada por un periodo de tiempo fijo.

Para enviar una alerta de llamada:

- Presione el botón **Call/Lock** (Llamar/Bloquear). El icono TX aparece mientras se transmite una alerta de llamada. La alerta puede escucharse en el altavoz.

Para elegir una alerta de llamada:

- 1 Presione el botón **Power/Menu** (Encendido/Menú) hasta que el icono **CA** aparezca acompañado del ajuste actual de alerta de llamada.
- 2 Utilice el botón **Up** (Arriba) o **Down** (Abajo) para seleccionar una de cinco alertas.
- 3 Presione el botón **PTT** (Presione para Hablar) para guardar su selección.

Rastreo

Su radio puede rastrear todos los 22 canales para ver si hay alguna actividad. Cuando se realice el rastreo, el icono **SCAN** (Rastrear) aparece en la pantalla.

Para rastrear por actividad:

- Presione el botón **Monitor/Scan** (Monitorear/Rastrear). Su radio rastrea cada uno de los 22 canales y se detiene en cualquier canal activo por cuatro segundos antes de reanudar el rastreo.

Para dejar de rastrear:

- Presione el botón **Monitor/Scan** (Monitorear/Rastrear).

Para dejar de rastrear en un canal y transmitir:

- Presione el botón **PTT** (Presione para Hablar) para transmitir en un canal activo.

Para reanudar el rastreo:

- Presione el botón **Monitor/Scan** (Monitorear/Rastrear).

Bloqueo del teclado

Bloquee el teclado para evitar que se cambien los ajustes del radio accidentalmente.

Para bloquear el teclado:

- Presione el botón **Call/Lock** (Llamar/Bloquear) por cuatro segundos. El icono Key Lock (Bloqueo de Teclas) aparecerá en la pantalla. Cuando el teclado está bloqueado, el botón **PTT** (Presionar para Hablar) y el **Call/Lock** (Llamar/Bloquear) están activos.

Para desbloquear el teclado:

- Presione el botón **Call/Lock** (Llamar/Bloquear) por cuatro segundos.

Cambio de canales

Su radio tiene 22 canales disponibles.

Para cambiar los canales:

- 1 Con el radio encendido, presione el botón **Power/Menu** (Encendido/Menú) hasta que el segmento del canal actual parpadee.
- 2 Presione el botón **Up** (Arriba) o **Down** (Abajo) para cambiar el canal.
- 3 Presione el botón **PTT** (Presione para Hablar) para guardar el canal nuevo.

Ajuste de los códigos de privacidad

Su radio tiene 121 códigos de privacidad disponibles. Puede seleccionar un código de privacidad diferente para cada canal.

Para seleccionar un código de privacidad para el canal actual:

- 1 Presione el botón **Power/Menu** (Encendido/Menú) dos veces.
- 2 Presione el botón **Up** (Arriba) o **Down** (Abajo) para seleccionar uno de los 38 código de privacidad CTCSS.

- O -

Presione nuevamente el botón **Power/Menu** (Encendido/Menú) y el botón **Up** (Arriba) o **Down** (Abajo) para seleccionar uno de los 83 códigos de privacidad DCS. El icono Privacy Code (Código de Privacidad) en la pantalla indica si seleccionó su código de privacidad en el modo CTCSS o DCS.

- 3 Presione el botón **PTT** (Presione para Hablar) para confirmar la selección.

Nota

Si selecciona cualquier código de privacidad CTCSS, cualquier código de privacidad DCS preseleccionado se cancelará y viceversa. La selección de un código de privacidad **oF** deshabilita la función de privacidad. Para comunicarse entre dos radios, todos los radios en su grupo deben seleccionar en el mismo canal y el mismo código de privacidad.

Selección del nivel de potencia de transmisión (TX)

Su radio tiene dos ajustes del nivel de potencia.

Para seleccionar el nivel de potencia en los canales 1~7 y 15~22:

- 1 Presione el botón **Power/Menu** (Encendido/Menú) hasta que el icono **Pr** parpadee en la pantalla.
- 2 Presione el botón **Up** (Arriba) o **Down** (Abajo) para seleccionar el icono **TRANSMIT POWER LEVEL** [Nivel de Potencia de Transmisión] (H: Hi (Alto)/L: Lo (Bajo)).
- 3 Presione el botón **PTT** (Presione para Hablar) para confirmar la selección.

Notas

Cuando el botón **PTT** (Presione para Hablar) se presiona durante una condición de nivel de batería bajo, la potencia de transmisión TX se cambia automáticamente del nivel Hi(H) [Alto] a Lo(L) [Bajo].

No puede ajustar el nivel de potencia de los canales FRS (8~14). Estos están limitados a potencia baja por el reglamento FCC.

Ajuste del nivel de VOX

Su radio tiene 3 ajustes del nivel de VOX. (oF/1/2/3).

Para ajustar el nivel de VOX:

- 1 Presione el botón **Power/Menu** (Encendido/Menú) hasta que la pantalla muestra **VOX** parpadeando a la derecha del indicador de **NÚMERO DE CANAL**, y aparezca el icono **oF**.
- 2 Seleccione **1**, **2** ó **3** presionando los botones **Up** (Arriba) o **Down** (Abajo) y luego presionando el botón **PTT** (Presionar Para Hablar).

La función VOX es más sensible en el ajuste **1** que en el **3**.

Para apagar la función VOX:

- 1 Presione el botón **Power/Menu** (Encendido/Menú) hasta que la pantalla muestra **VOX** parpadeando a la derecha del indicador de **NÚMERO DE CANAL**, aparecerá el icono **1, 2 ó 3**.
- 2 Seleccione **oF** presionando el botón **Up** (Arriba) o **Down** (Abajo) y presione el botón **PTT** (Presione para Hablar).

Ajuste del tono de pitido Roger

Cada vez que suelte el botón **PTT** (Presione para Hablar), se puede transmitir un tono de pitido Roger para hacer saber a sus amigos que ya terminó de hablar.

Para activar el tono de pitido Roger:

- 1 Presione el botón **Power/Menu** (Encendido/Menú) hasta que el icono **rb** parpadee en la pantalla.
- 2 Presione el botón **Up** (Arriba) o **Down** (Abajo) para activar o desactivar el tono de pitido Roger.
- 3 Presione el botón **PTT** (Presione para Hablar) para guardar su selección.

Para desactivar el tono de pitido Roger:

- 1 Presione el botón **Power/Menu** (Encendido/Menú) hasta que la pantalla muestra el icono **rb** parpadeando y a la derecha de **rb** aparecerá el icono **on** (Encendido).
- 2 Seleccione **oF** presionando el botón **Up** (Arriba) o **Down** (Abajo) y presione el botón **PTT** (Presione para Hablar).

Uso del modo de operación silencioso

Su radio cuenta con un modo de operación silencioso. En este modo, se deshabilitan todos los pitidos y tonos.

Para activar el modo de operación silencioso:

- 1 Presione el botón **Power/Menu** (Encendido/Menú) hasta que la pantalla muestra el icono **bP** con a su derecha el icono **on** (Activado).
- 2 Seleccione **oF** presionando los botones **Up** (Arriba) o **Down** (Abajo) y luego presione el botón **PTT** (Presionar Para Hablar) o **Power/Menu** (Encendido/Menú).

Para desactivar el modo de operación silencioso:

- 1 Presione el botón **Power/Menu** (Encendido/Menú) hasta que la pantalla muestra el icono **bP** con a su derecha el icono **oF** (Desactivado).

- 2 Seleccione **on** (Activado) presionando los botones **Up** (Arriba) o **Down** (Abajo) y luego presione el botón **PTT** (Presionar Para Hablar) o **Power/Menu** (Encendido/Menú).

Uso del radio NOAA

Su radio cuenta con la función de radio NOAA que le permite recibir reportes del tiempo de estaciones NOAA asignadas.

Para activar el radio NOAA (WX):

- 1 Presione el botón **Power/Menu** (Encendido/Menú) hasta que aparezca el icono **WX Band** (Banda WX) y el icono **oF**.
- 2 Seleccione **on** presionando el botón **Up** (Arriba) o **Down** (Abajo) y presione el botón **Power/Menú** (Encendido/Menú). La pantalla muestra el ajuste del canal actual de la banda WX y el icono de la banda WX.
- 3 Mientras se encuentra en el modo de banda WX, presione el botón **Power/Menu** (Encendido/Menú) una vez y luego presione el botón **Up** (Arriba) o **Down** (Abajo) para seleccionar uno de los 10 canales de la banda NOAA (WX).

Para desactivar el RADIO NOAA:

- Oprima el botón **PTT** (Presione para Hablar). El ajuste actual del radio GMRS/FRS se muestra y el icono de la **BANDA WX** se apaga.

Uso de la alerta meteorológica

Su radio cuenta con una función de alerta meteorológica que le permite recibir automáticamente alertas meteorológicas de estaciones NOAA asignadas.

Para activar la alerta meteorológica NOAA (WX):

- 1 Presione dos veces el botón **Power/Menu** (Encendido/Menú) mientras se encuentre en la banda WX. La pantalla muestra un icono **AL** y a su derecha parpadea un icono **oF** (Desactivado).
- 2 Seleccione **on** (Activado) presionando los botones **Up** (Arriba) o **Down** (Abajo) y luego presione el botón **PTT** (Presionar Para Hablar) o **Power/Menu** (Encendido/Menú). El radio regresa a la banda WX y el icono de banda WX parpadea.

Si el radio recibe una señal de alerta meteorológica de una estación NOAA asignada mientras se encuentra en el modo de radio GMRS/FRS, el radio pitará por diez segundos al mismo tiempo que los iconos **AL** e **In** aparecen en la pantalla y el radio cambiará automáticamente a la banda WX.

Si presiona cualquiera de los botones mientras el radio se encuentra pitando y se encuentra en el modo de radio GMRS/FRS, el radio cambiará automáticamente a la banda WX.

Para desactivar la alerta meteorológica NOAA (WX):

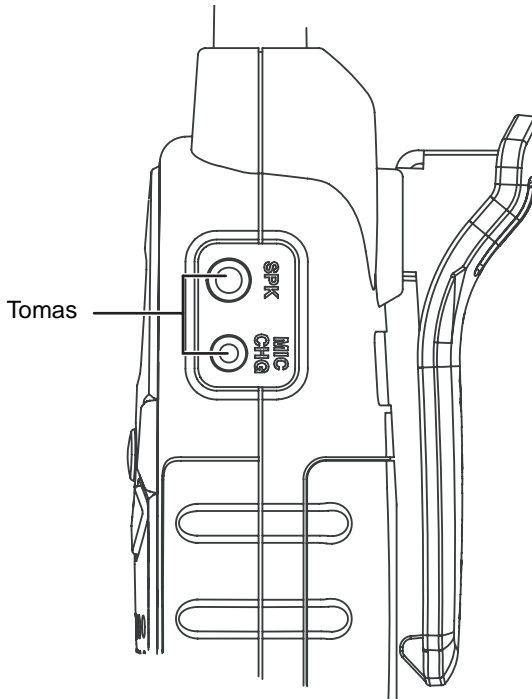
- 1 Presione dos veces el botón **Power/Menu** (Encendido/Menú) mientras se encuentre en la banda WX. La pantalla muestra un icono **AL** y a su derecha parpadea un icono **on** (Activado).
- 2 Seleccione **oF** (Desactivado) presionando los botones **Up** (Arriba) o **Down** (Abajo) y luego presione el botón **PTT** (Presionar Para Hablar) o **Power/Menu** (Encendido/Menú).

Uso de un altavoz externo y un micrófono o auricular

Su radio puede ser usado con un altavoz externo opcional y un micrófono o auricular.

Para usar un altavoz externo y un micrófono o auricular:

- 1 Inserte los conectores en los tomas del altavoz y el micrófono.



- 2 Coloque el auricular en su oído y ajuste el micrófono al nivel que desea.

Mantenimiento de su radio

- No utilice alcohol o soluciones de limpieza para limpiar el radio.
- No sumerja el radio en agua.
- Utilice un paño húmedo para limpiar el radio.
- Seque el radio con un paño seco, libre de pelusa si se llega a mojar.
- Apague el radio y saque las pilas durante periodos de almacenamiento extendidos.

Localización y Corrección de Fallas

Problema	Solución
La unidad no enciende	<ul style="list-style-type: none"> • Verifique la instalación de la pila • Reemplace las pilas
No puede recibir mensajes	<ul style="list-style-type: none"> • Verifique que los radios tienen el mismo ajuste de canal y código de privacidad. • Verifique que se encuentra dentro del rango de los otros transmisores-receptores. • Edificios y otras obstrucciones pueden interferir con su communication.
El radio no responde cuando se presionan los botones	<ul style="list-style-type: none"> • Verifique que el bloqueo de teclado no está activado. • Quizás se tenga que reiniciar el radio. Apague y encienda el radio. • Verifique que el micrófono accesorio está configurado correctamente.
La pantalla casi no se ve	<ul style="list-style-type: none"> • Reemplace o recargue las pilas.
El cargador no funciona	<ul style="list-style-type: none"> • Los contactos en la parte inferior del radio pueden necesitar limpieza. • Verifique que el tomacorriente en el que se conecta el cargador está funcionando bien. • Verifique que las pilas están instaladas correctamente en el radio.

Especificaciones

Especificación

Canales: 22 canales

Códigos de privacidad: 121

Canales de la banda de radio NOAA (WX): 10

Frecuencia de Operación: UHF 462.5500 ~ 467.7125 MHz

Fuente de alimentación: Cuatro pilas alcalinas AAA o una batería recargable de NiMH de 4.8 V

Tablas de Frecuencias GMRS/FRS (MHz)

Número de canal	Frecuencia de canal
1	462.5625
2	462.5875
3	462.6125
4	462.6375
5	462.6625
6	462.6875
7	462.7125
8	467.5625
9	467.5875
10	467.6125
11	467.6375
12	467.6625
13	467.6875
14	467.7125
15	462.5500
16	462.5750
17	462.6000
18	462.6250
19	462.6500
20	462.6750
21	462.7000
22	462.7250

Los canales 8-14 son canales libres de licencia FRS de baja potencia.

Tabla de Frecuencias de la Radio NOAA [WX] (MHz)

Número de canal	Frecuencia de canal
1	162.550
2	162.400
3	162.475
4	162.425
5	162.450
6	162.500
7	162.525
8	161.650
9	161.775
10	163.275

Los canales 8,9 y 10 están asignados para frecuencias marítimas canadienses.

Tabla de Frecuencias de Códigos de Privacidad (MHz)

Se puede programar los códigos de privacidad para uso con cualquier canal.

Código	Frecuencia de
1	67.0
2	71.9
3	74.4
4	77.0
5	79.7
6	82.5
7	85.4
8	88.5
9	91.5
10	94.8
11	97.4
12	100.0
13	103.5

Código	Frecuencia de
14	107.2
15	110.9
16	114.8
17	118.8
18	123.0
19	127.3
20	131.8
21	136.5
22	141.3
23	146.2
24	151.4
25	156.7
26	162.2
27	167.9
28	173.8
29	179.9
30	186.2
31	192.8
32	203.5
33	210.7
34	218.1
35	225.7
36	233.6
37	241.8
38	250.3

Tabla de los Códigos de Privacidad DCS

Se puede programar los códigos de privacidad para uso con cualquier canal.

No.	Código	No.	Código	No.	Código
1	023	29	174	57	445
2	025	30	205	58	464
3	026	31	223	59	465
4	031	32	226	60	466
5	032	33	243	61	503
6	043	34	244	62	506
7	047	35	245	63	516
8	051	36	251	64	532
9	054	37	261	65	546
10	065	38	263	66	565
11	071	39	265	67	606
12	072	40	271	68	612
13	073	41	306	69	624
14	074	42	311	70	627
15	114	43	315	71	631
16	115	44	331	72	632
17	116	45	343	73	654
18	125	46	346	74	662
19	131	47	351	75	664
20	132	48	364	76	703
21	134	49	365	77	712
22	143	50	371	78	723
23	152	51	411	79	731
24	155	52	412	80	732
25	156	53	413	81	734
26	162	54	423	82	743
27	165	55	431	83	754
28	172	56	432		

FCC

Advertencia

Este equipo podría generar o usar energía de radiofrecuencia. Los cambios o modificaciones que se realicen a este equipo podrían causar interferencia perjudicial a menos que las modificaciones estén expresamente autorizadas en este manual. El usuario podría perder la autoridad de operar este equipo si se realiza un cambio o modificación no autorizada.

Advertencia

Exposición a la Energía de Radio Frecuencia

Su radio Insignia está diseñado para cumplir con los siguientes estándares nacionales e internacionales y las pautas relacionadas con la exposición de seres humanos a la energía electromagnética de radio frecuencia:

- Comisión de Comunicación Federal de los Estados Unidos, Código de Normas Federales: 47 CFR parte 2 subparte J
- Instituto Nacional de Estándares de los EE. UU. (ANSI)/Instituto de Ingenieros Eléctricos y Electrónicos (IEEE) C95. 1-1992
- Instituto de Ingenieros Eléctricos y Electrónicos (IEEE) C95. Edición 1-1999
- Consejo Nacional sobre la Medición y Protección contra la Radiación (NCRP) de los EE. UU., Reporte 86, 1986
- International Commission on Non-Ionizing Radiation Protection (ICNIRP) 1998

Para controlar su exposición y asegurar la conformidad con con la población en general o los límites no controlados de exposición del ambiente, favor no transmitir más de 50% del tiempo. La radio genera una exposición a la energía de radiofrecuencia que se puede medir, únicamente durante la transmisión.

Información reglamentaria: FCC Parte 15

Este equipo ha sido sometido a pruebas y se ha determinado que satisface los límites establecidos para clasificarlo como dispositivo digital de Clase B de acuerdo con la Parte 15 del reglamento FCC. Estos límites están diseñados para proporcionar una protección razonable contra interferencias dañinas cuando el radio funciona en un ambiente residencial. Este radio genera, utiliza y puede irradiar energía de radiofrecuencia y, si no es instalado y utilizado de acuerdo a las instrucciones, puede causar interferencias perjudiciales en las comunicaciones de radio. Sin embargo, no se garantiza que no ocurrirá interferencia en una instalación particular. Si este radio causa interferencias perjudiciales en la recepción de la señal de radio o televisión, lo cual puede comprobarse encendiéndolo y apagándolo alternativamente, se recomienda al usuario corregir la interferencia mediante uno de los siguientes procedimientos:

- Cambie la orientación o la ubicación de la antena receptora.
- Aumente la distancia entre el radio y el receptor.
- Solicite consejo al distribuidor o a un técnico de radio calificado para obtener ayuda.

Licencia GMRS

El NS-F1112 funciona en las frecuencias GMRS (Servicio de Radio Móvil General), lo que requiere una licencia de la FCC (Comisión Federal de Comunicaciones de los EE. UU.). Debe de obtener una licencia antes de operar en los canales 1 - 7 ó 15 - 22, lo que incluye los canales GMRS del NS-F1112. Penalidades serias pueden resultar por el uso sin licencia de los canales GMRS, en violación del reglamento de la FCC, cómo se estipula en el Acta de Comunicaciones, Secciones 501 y 502 (corregida).

Se le otorgará un rotulo de llamada por la FCC el que se utilizará para la identificación de la estación cuando se opere el radio en los canales GMRS. También deberá cooperar al realizar sólo transmisiones permitidas, al evitar GMRS la interferencia de canales con otros usuarios de GMRS, y al ser prudente con la duración del tiempo de su transmisión.

Para obtener una licencia o hacer preguntas relacionadas con la aplicación para licencias, póngase en contacto con la FCC al 1-888-CALL FCC o visite el sitio web de la FCC: www.fcc.gov/services/personal/generalmobile/licensing.html

Avisos legales

© 2006 Insignia. Insignia y el logotipo de Insignia son marcas de comercio de Best Buy Enterprise Services, Inc. Otras marcas y nombres de productos son marcas comerciales o marcas registradas de sus dueños respectivos. Las especificaciones y características están sujetas a cambio sin aviso previo u obligación.

Para reparación y soporte llamar al (877) 467-4289.



Distributed by Insignia™ Products
Distribué par Insignia™ Products
Distribuido por Insignia™ Products

7601 Penn Avenue South,
Richfield, MN USA 55423-3645
www.Insignia-Products.com

© 2006 Insignia™ Products

All rights reserved. All other products and brand names are trademarks of their respective owners.

© 2006 produits Insignia™

Tous droits réservés. Tous les autres produits ou noms de marques sont des marques de commerce qui appartiennent à leurs propriétaires respectifs.

© 2006 productos Insignia™

Todos los derechos reservados. Todos los demás productos y marcas son marcas comerciales de sus respectivos dueños.

Free Manuals Download Website

<http://myh66.com>

<http://usermanuals.us>

<http://www.somanuals.com>

<http://www.4manuals.cc>

<http://www.manual-lib.com>

<http://www.404manual.com>

<http://www.luxmanual.com>

<http://aubethermostatmanual.com>

Golf course search by state

<http://golfingnear.com>

Email search by domain

<http://emailbydomain.com>

Auto manuals search

<http://auto.somanuals.com>

TV manuals search

<http://tv.somanuals.com>