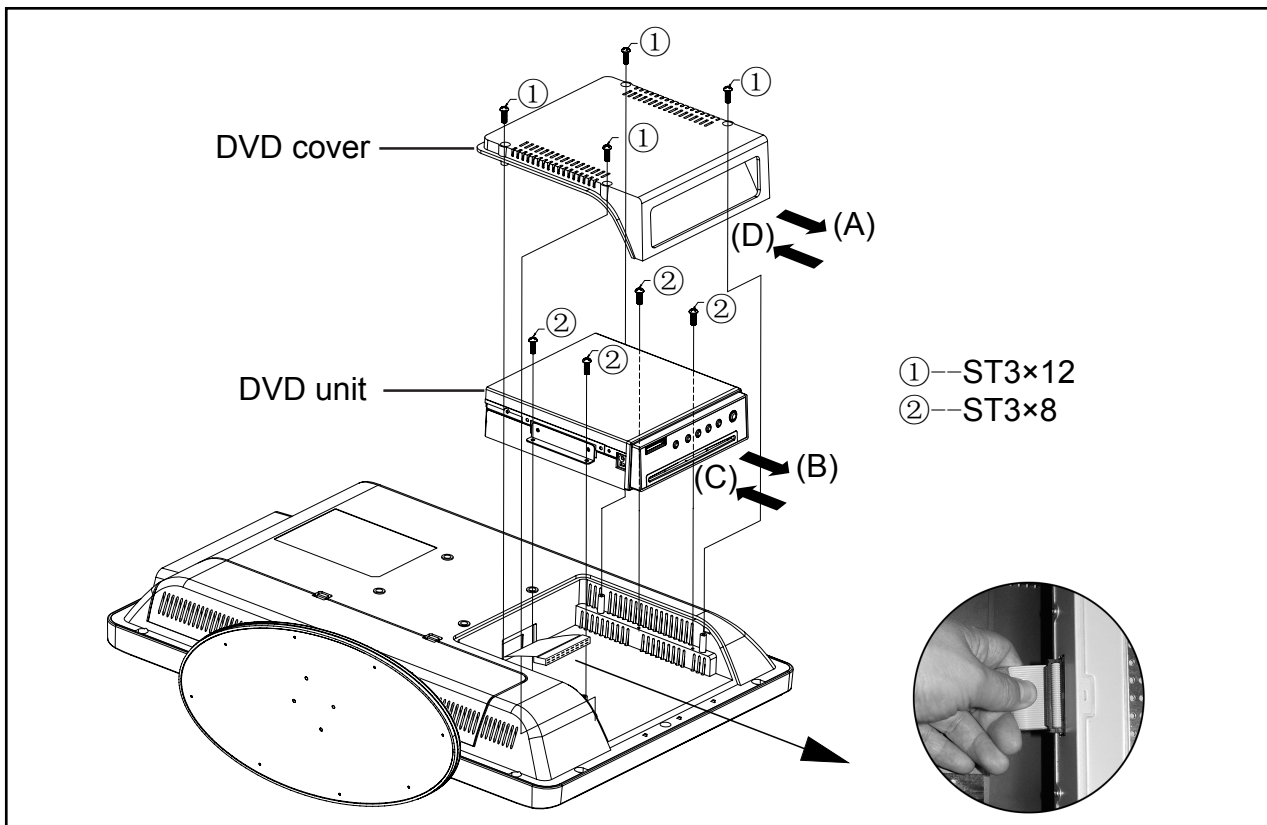


NS-LTDVD20

ATTACHING/DETACHING THE DVD UNIT

Before attaching/detaching the DVD unit:

- Before detaching (or attaching) the DVD unit, unplug the AC cord from the AC input terminal.
- Before performing work make sure to turn off the TV.
- Before performing work spread cushioning over the base area to lay the Display on. This will prevent it from being damaged.



Detaching the DVD unit:

1. Remove the four screws ①.
2. Remove the DVD cover in the direction of arrow (A).
3. Remove the four screws ②.
4. Disconnect the connection between DVD unit and LCD TV as shown in the illustration.
5. Remove the DVD unit in the direction of arrow (B).

Attaching the DVD unit:

1. Attach the DVD unit in the direction of arrow (C).
2. Connect the connection between DVD unit and LCD TV as shown in the illustration.
3. Fasten the four screws ②.
4. Attach the DVD cover in the direction of arrow (D).
5. Fasten the four screws ①.

Free Manuals Download Website

<http://myh66.com>

<http://usermanuals.us>

<http://www.somanuals.com>

<http://www.4manuals.cc>

<http://www.manual-lib.com>

<http://www.404manual.com>

<http://www.luxmanual.com>

<http://aubethermostatmanual.com>

Golf course search by state

<http://golfingnear.com>

Email search by domain

<http://emailbydomain.com>

Auto manuals search

<http://auto.somanuals.com>

TV manuals search

<http://tv.somanuals.com>