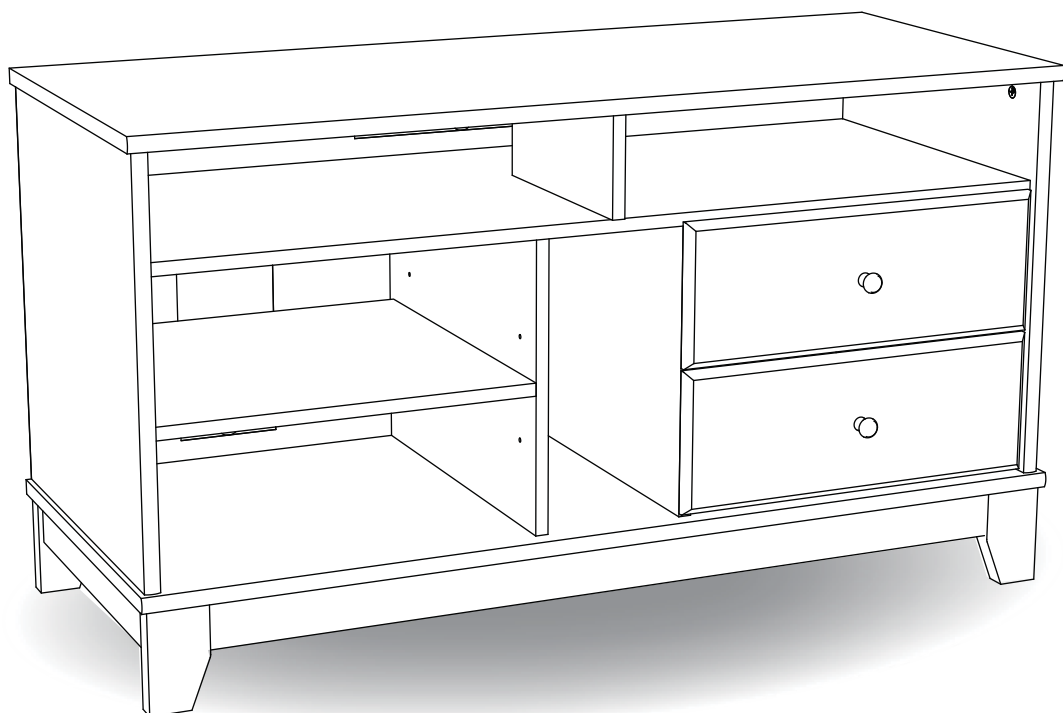


INSIGNIA™

47" Espresso Gaming TV Stand

NS-13SGAM



| | |
|---|----|
| SAFETY INFORMATION AND SPECIFICATIONS.... | 2 |
| PACKAGE CONTENTS: PARTS..... | 3 |
| PACKAGE CONTENTS: HARDWARE..... | 5 |
| ASSEMBLY INSTRUCTIONS..... | 6 |
| CARE AND MAINTENANCE..... | 24 |

SAFETY INFORMATION AND SPECIFICATIONS

Model #: NS-13SGAM



CAUTION: The top surface of this stand is designed for use with a product weighing no more than 95 lbs. (43 kg) and having a width that permits it to sit evenly on the stand with no more than a one-inch overhang on each side of the shelf. Use with products that weigh more than the maximum weight allowed, or with dimensions that extend beyond the maximum width may result in instability, which may result in injury.

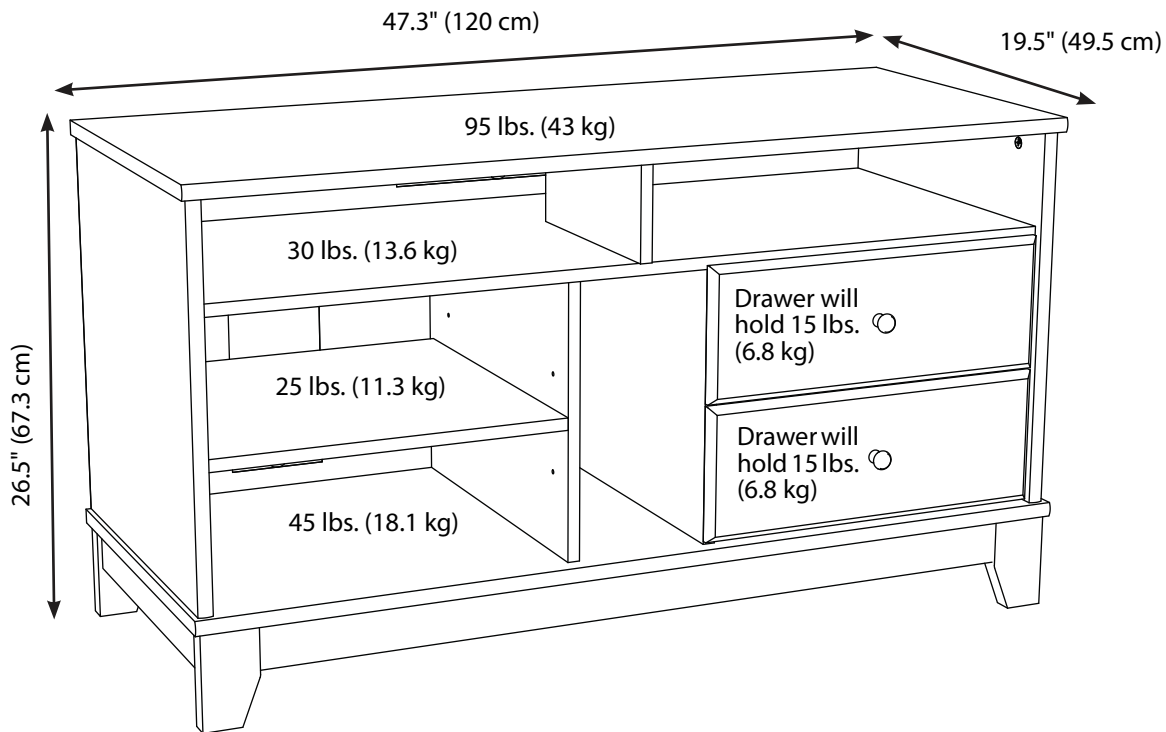


CAUTION: This product contains small items that could be a choking hazard if swallowed. Keep these items away from young children!

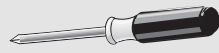
Maximum weight: 95 lbs. (43 kg)

Maximum width: 1-inch overhang on each side of the top shelf

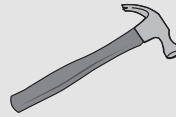
Overall dimensions (W × H × D):
47.3 × 26.5 × 19.5" (120 × 67.3 × 49.5 cm)



Tools needed:



Phillips screwdriver

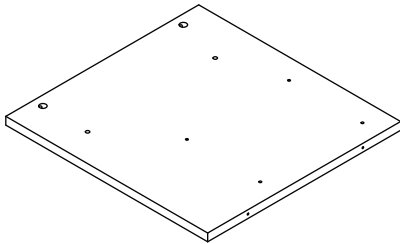


Hammer

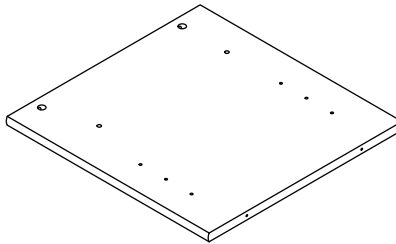


PACKAGE CONTENTS: PARTS

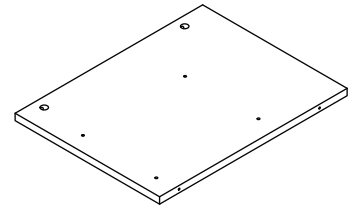
A Right end (1)



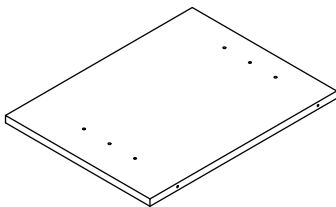
B Left end (1)



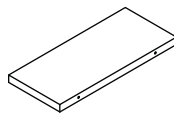
C Right upright (1)



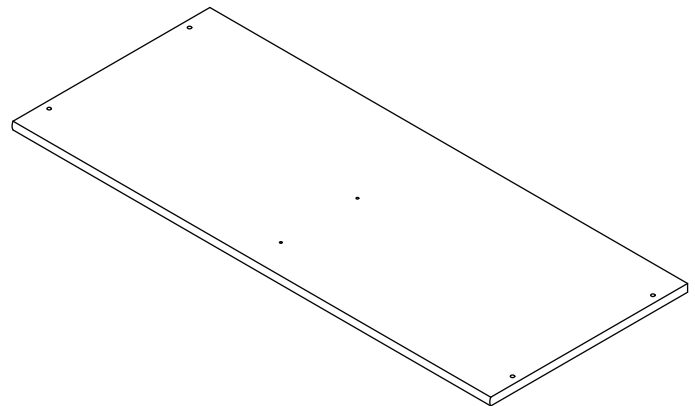
D Left upright (1)



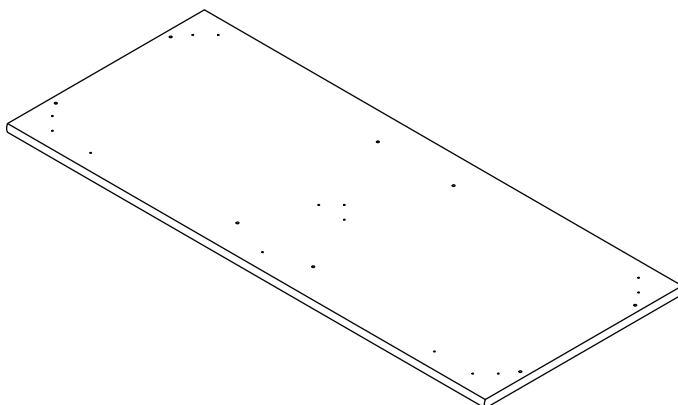
E Upright (1)



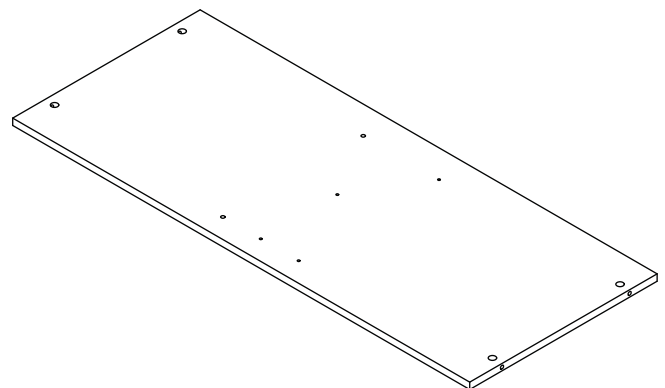
F Top (1)



G Bottom (1)

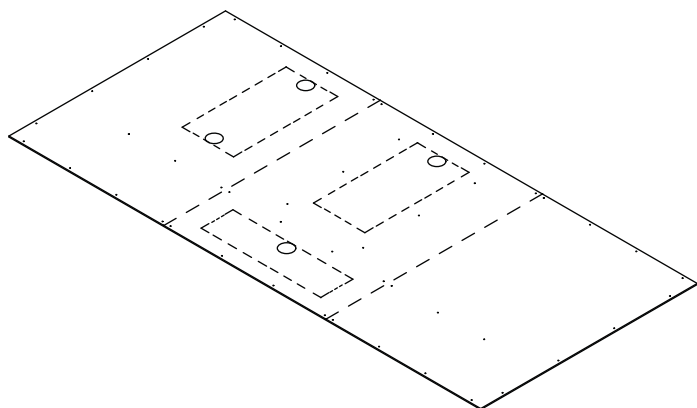


H Shelf (1)

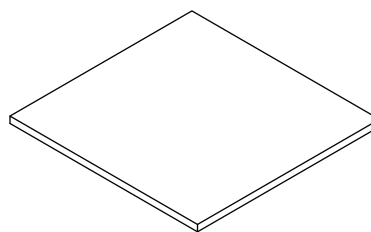


PACKAGE CONTENTS: PARTS (CONTINUED)

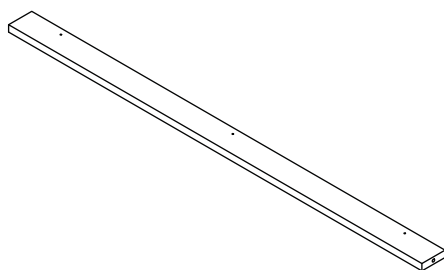
I Back (1)



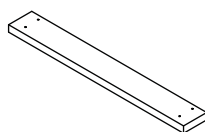
J Adjustable shelf (1)



K Front skirt (1)



L Side skirt (2)



R Left front/right rear foot (2)



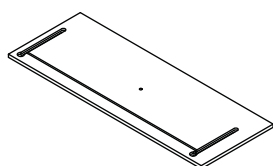
S Right front/left rear foot (2)



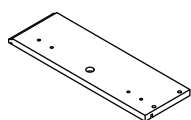
T Center foot (2)



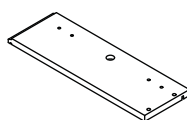
M Drawer front (2)



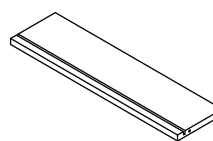
D16 Right drawer side (2)



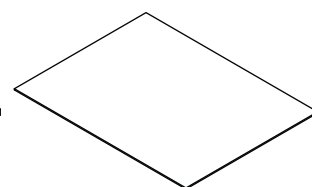
D17 Left drawer side (2)



D73 Drawer back (2)



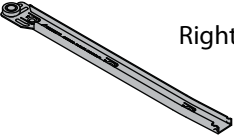

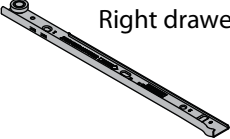
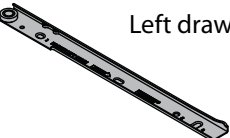

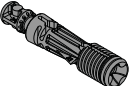

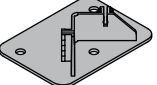
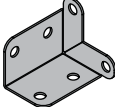
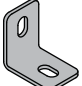
D720 Drawer bottom (2)




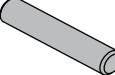
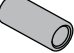

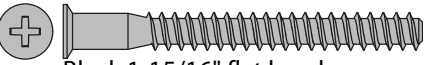
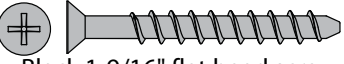
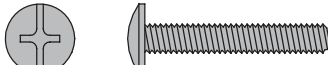
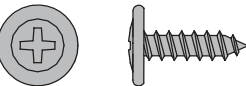




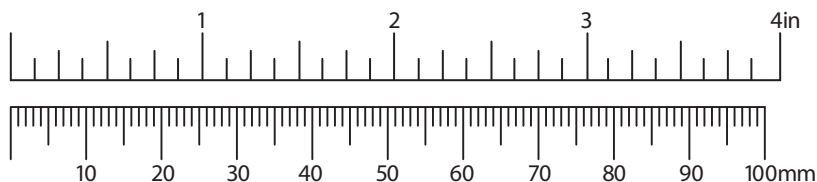
PACKAGE CONTENTS: HARDWARE

Note: You may receive extra hardware.

Make sure you have all the hardware necessary to assemble your new TV stand:

| Label | Hardware | Qty. |
|-------|--|------|
| U |  Right drawer rail | 2 |
| V |  Left drawer rail | 2 |
| W |  Right drawer slide | 2 |
| X |  Left drawer slide | 2 |
| Y2 |  Hidden cam | 10 |
| Z2 |  Cam dowel | 10 |
| AA |  Corner cap | 1 |
| BB |  Foot bracket | 1 |
| CC |  Corner bracket | 4 |
| DD |  Metal bracket | 3 |

| Label | Hardware | Qty. |
|-------|---|------|
| EE |  Knob | 2 |
| FF |  Side cam | 4 |
| GG |  Cam cover | 4 |
| HH |  Metal pin | 10 |
| II |  Rubber sleeve | 4 |
| JJ |  Warning label | 1 |
| KK |  Black 1-15/16" flat head screw | 10 |
| LL |  Black 1-9/16" flat head screw | 8 |
| MM |  Gold 1" machine screw | 2 |
| NN |  Black 9/16" large head screw | 35 |
| OO |  Gold 5/16" flat head screw | 16 |
| PP |  Nail | 48 |



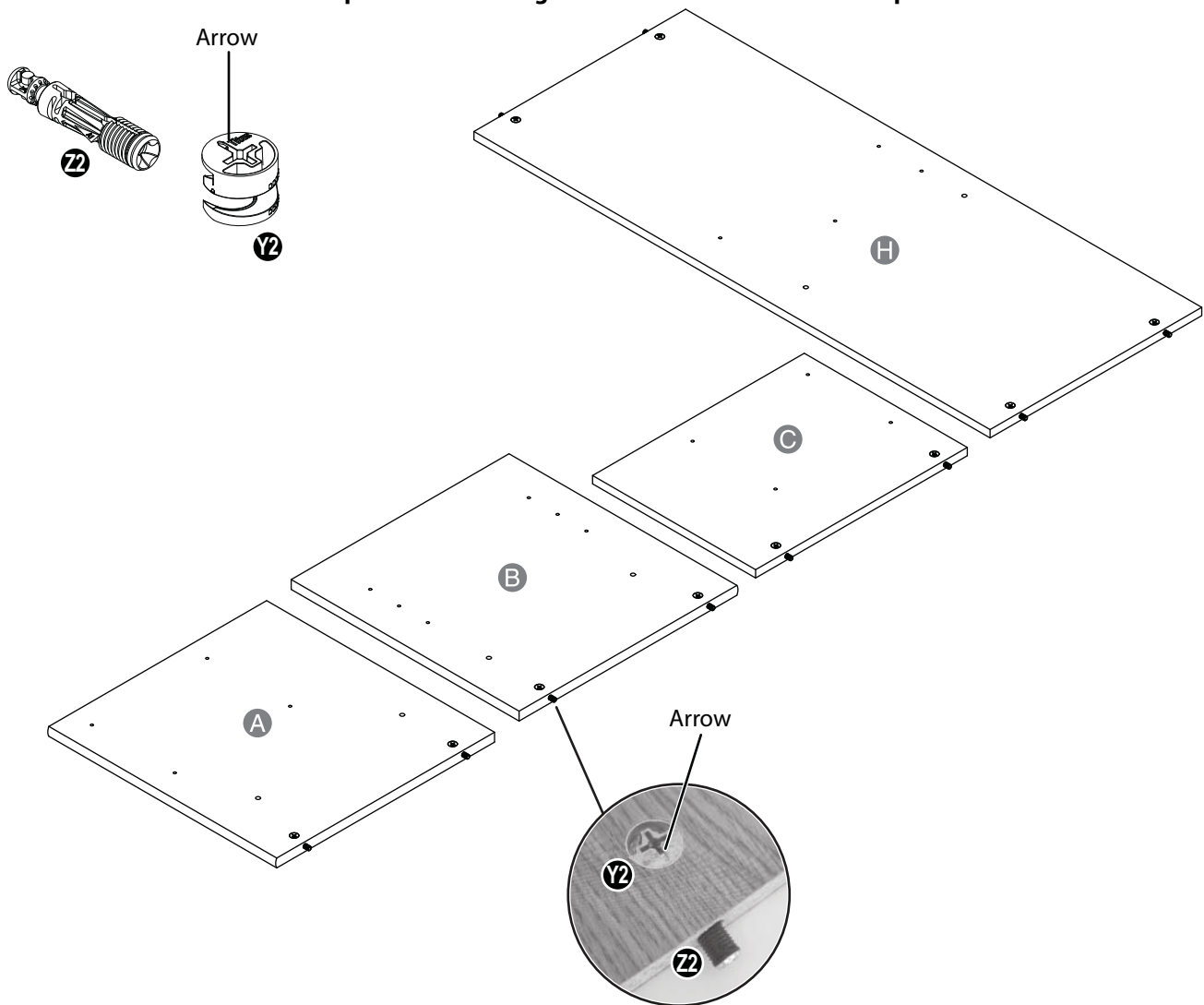
ASSEMBLY INSTRUCTIONS

Step 1: Assemble the ends and uprights

Note: Assemble your TV stand on carpeted floor or on the empty carton to avoid scratching your stand or the floor.

- 1 Push two hidden cams (Y2) into the right end (A), left end (B), and right upright (C) and four hidden cams in the shelf (H). Make sure that the arrows on the hidden cams point to the holes on the edges of the right end, left end, right upright, and shelf.
- 2 Insert the metal end of a cam dowel (Z2) into the side of each hidden cam, then press in on the dowel until it snaps into place.

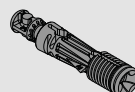
Important: Do not tighten the hidden cams in this step.



You'll need:



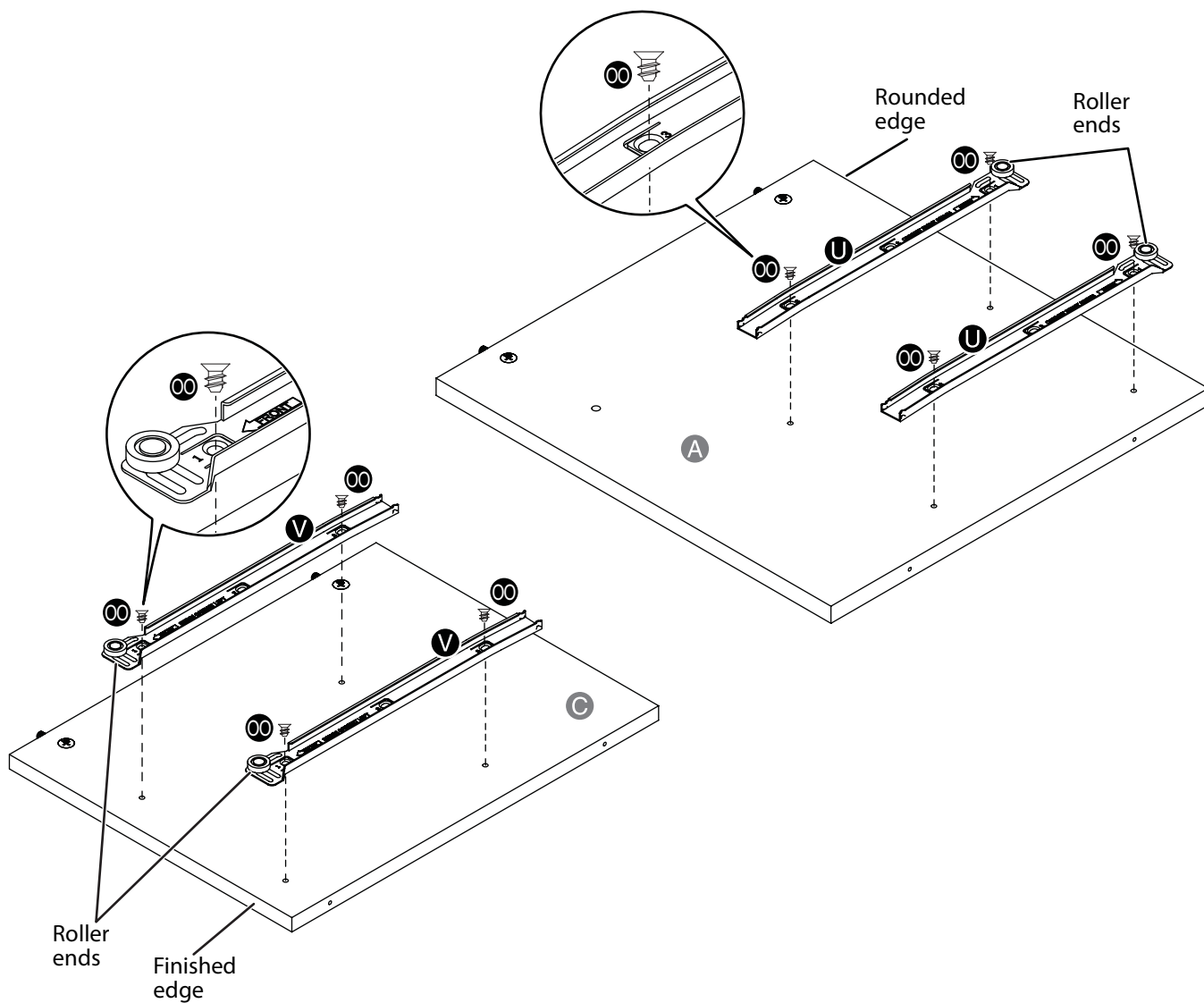
Y2 (10)



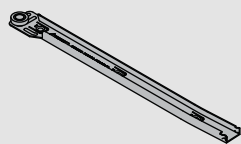
Z2 (10)

Step 2: Attaching the drawer rails

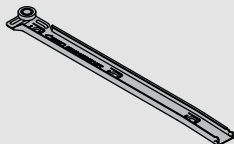
- Fasten the two right drawer rails (**U**) to the right end (**A**) and the two left drawer rails (**V**) to the right upright (**C**) using two gold 5/16" flat head screws (**OO**) per rail.



You'll need:



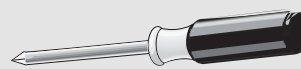
U (2)



V (2)



OO (8)

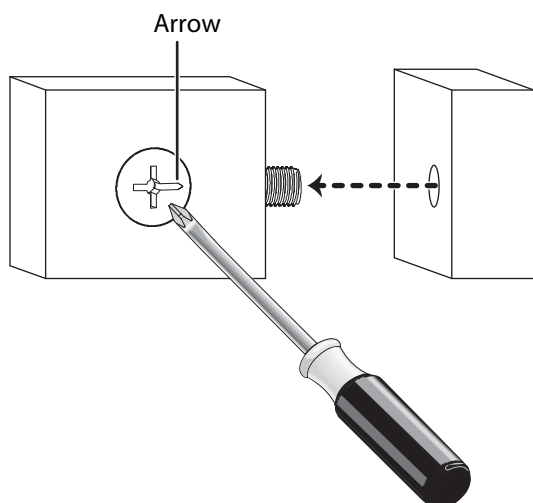


Phillips screwdriver

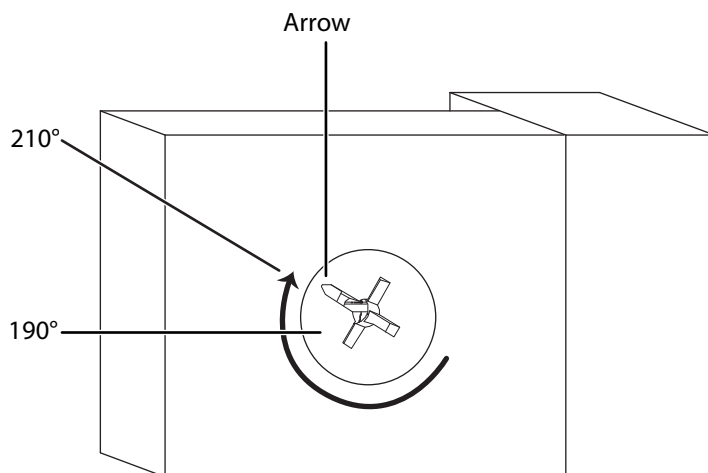
Tip: How to tighten hidden cams

In the **remaining** steps, use these illustrations for instructions on tightening hidden cams.

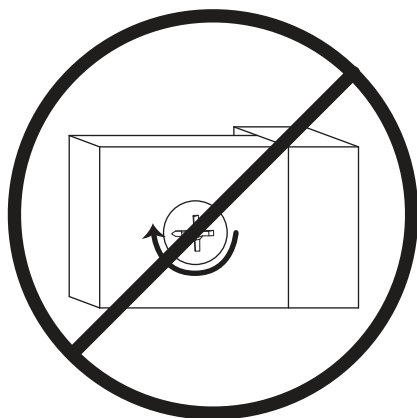
Warning: Risk of damage or injury. Hidden cams must be completely tightened. Hidden cams that are not completely tightened will loosen, and parts may separate.



Make sure that you turn the hidden cam a minimum of 190° to a maximum of 210°. Note the position of the arrow on the hidden cam.



In the illustration below, the hidden cam has not been tightened enough.



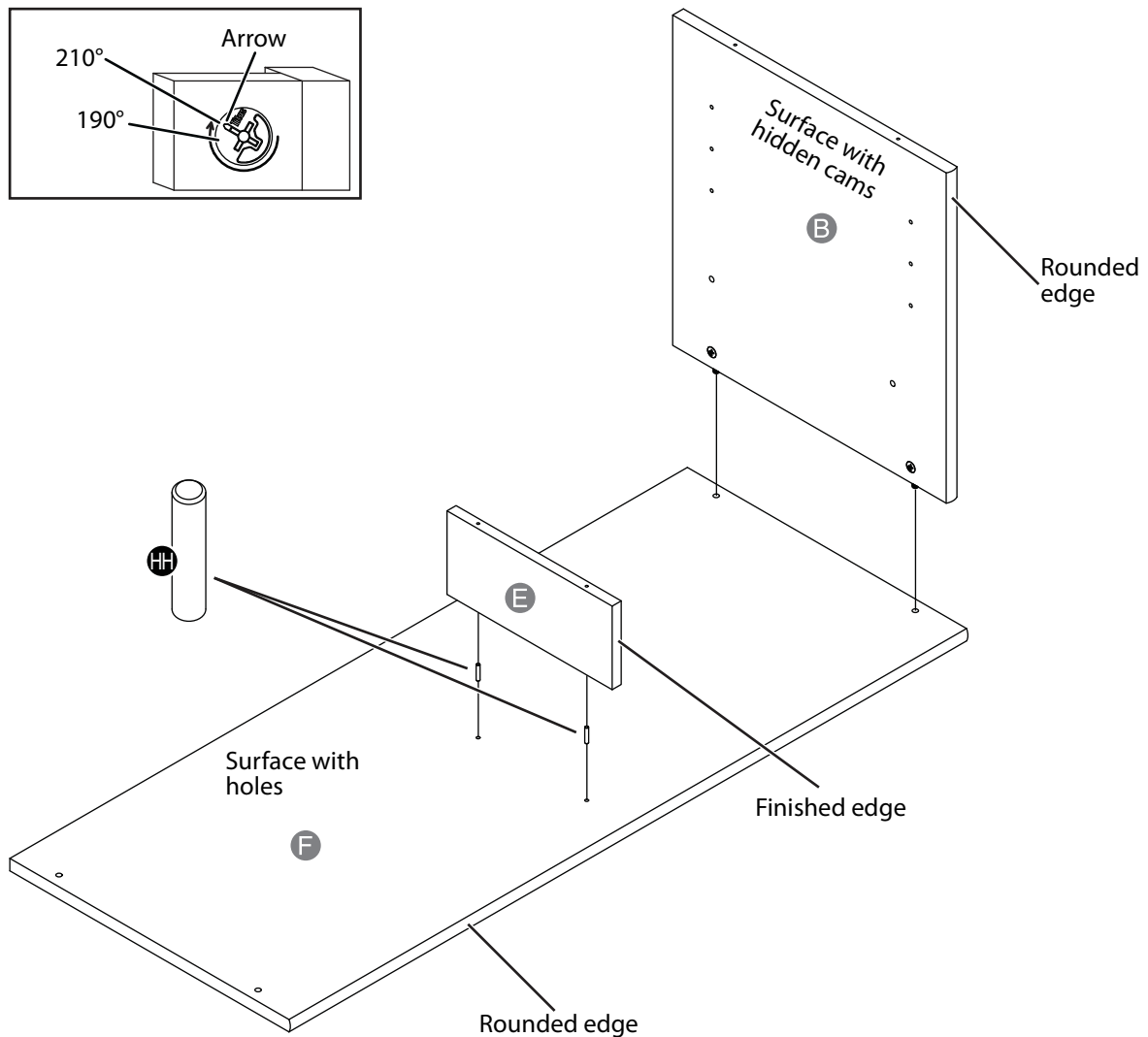
You'll need:



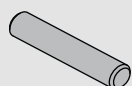
Phillips screwdriver

Step 3: Attach the top to the left end

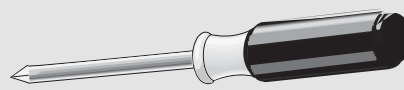
- 1 Identify the rounded edge on the left end (**B**) and the top (**F**) and the finished edge on the upright (**E**). Make sure these edges face the same direction.
- 2 Place the top (**F**) face down, then insert the cam dowels on the left end (**B**) into the holes on the top (**F**). The side of the left end (**B**) that has the hidden cams should face the center of the top (**F**). Use a Phillips screwdriver to tighten the two hidden cams in the left end (**B**).
- 3 Insert two metal pins (**HH**) in the upright (**E**), then insert the other ends of the metal pins into the holes in the top (**F**).



You'll need:



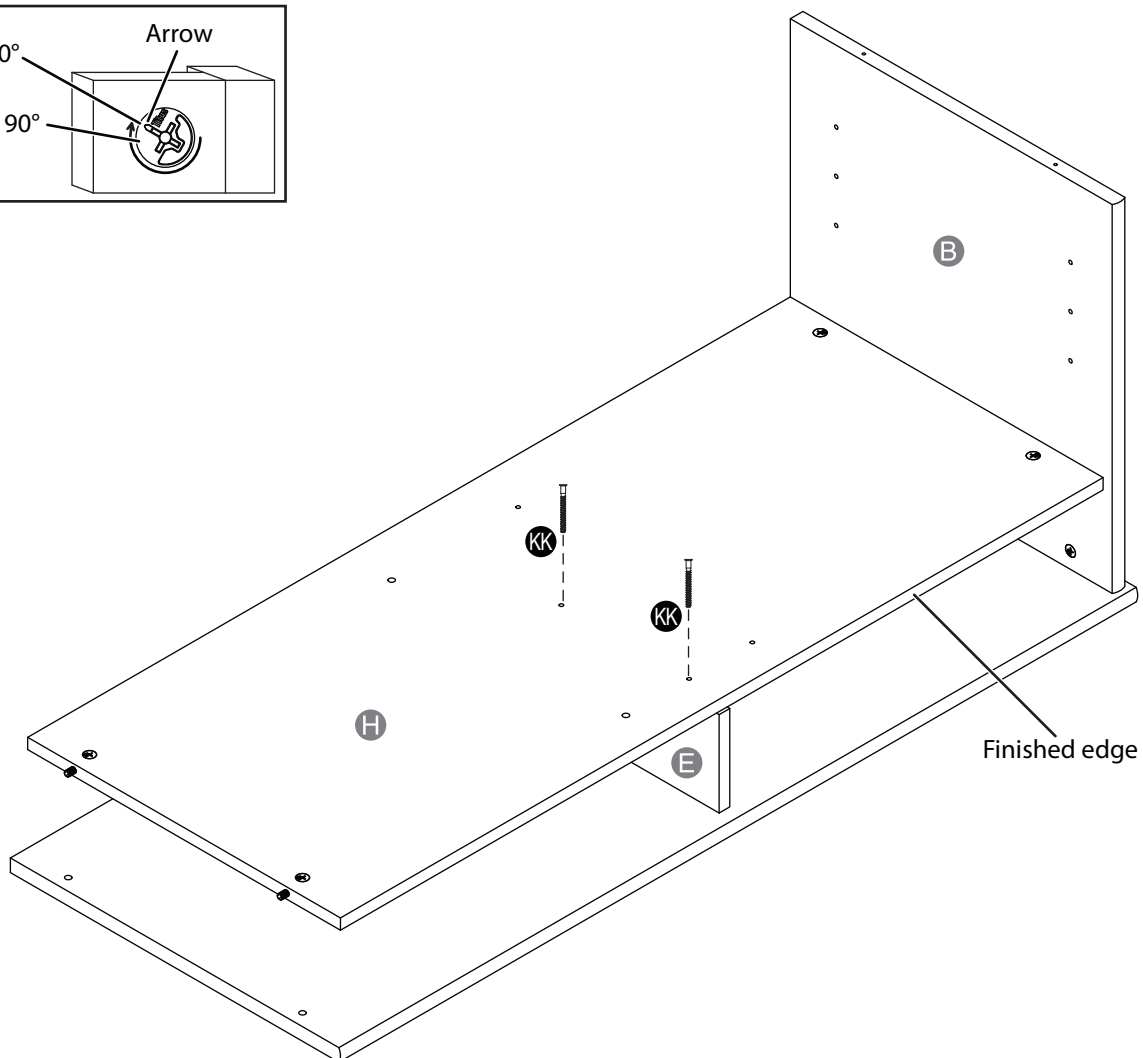
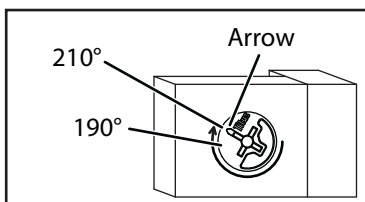
HH (2)



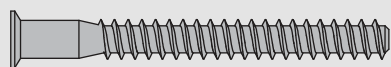
Phillips screwdriver

Step 4: Attach the shelf

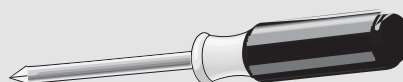
- 1 Make sure that the side of the shelf (**H**) with the hidden cams faces up, and the finished edge faces the same direction as the finished edge on the upright (**E**).
- 2 Insert the cam dowels on the edge of the shelf (**H**) into holes on the left end (**B**), then use a Phillips screwdriver to tighten the hidden cams in the shelf (**H**).
- 3 Fasten the shelf (**H**) to the upright (**E**) using two black 1-15/16" flat head screws (**KK**).



You'll need:



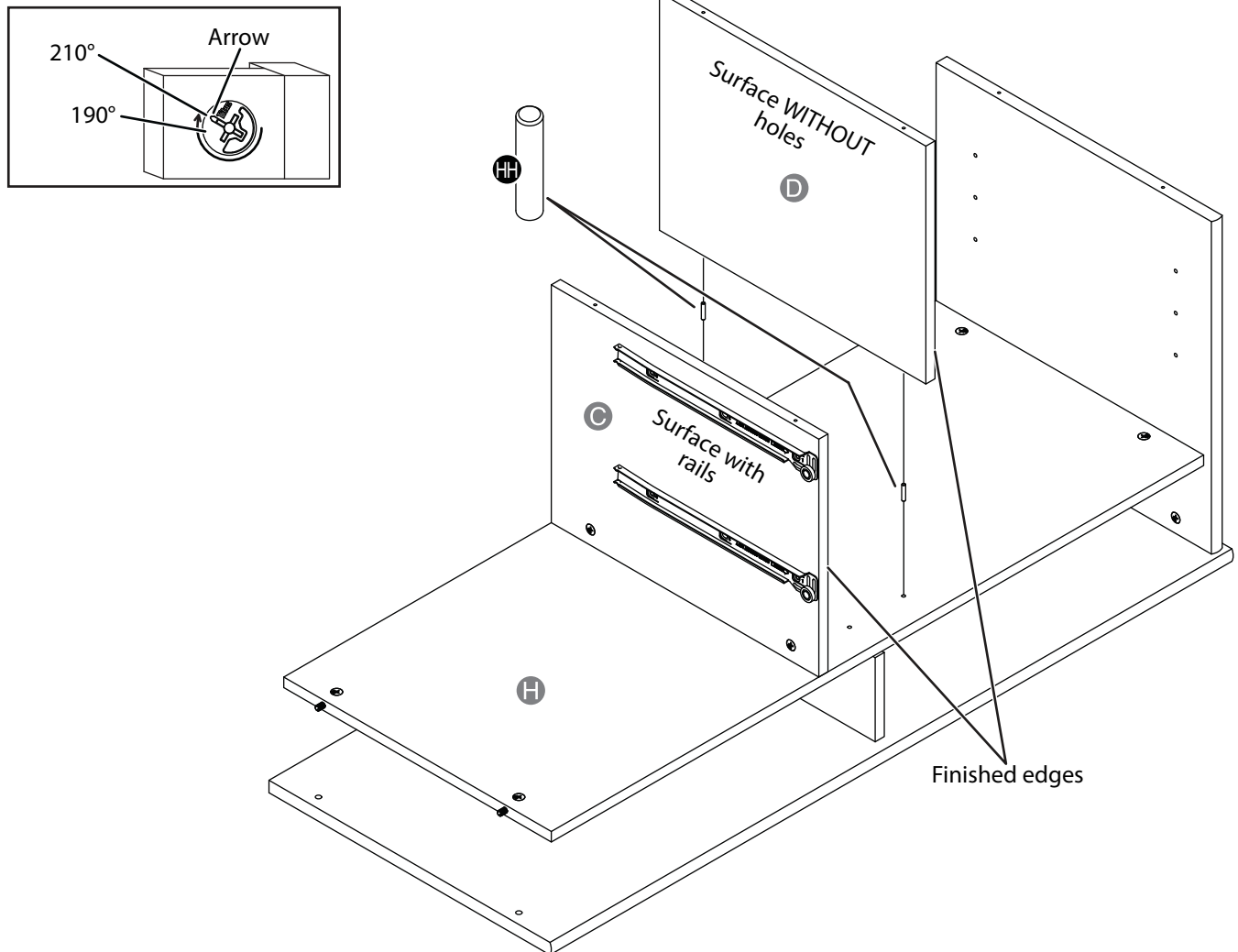
KK (2)



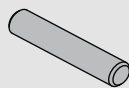
Phillips screwdriver

Step 5: Install the uprights

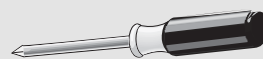
- 1 Make sure that the finished edge on the right upright (C) and on the left upright (D) faces the same direction as the finished edge on the shelf (H).
- 2 Insert the two cam dowels on the right upright (C) into the holes on the shelf (H), then use a Phillips screwdriver to tighten the hidden cams on the right upright (C).
- 3 Insert two metal pins (HH) into the left upright (D), then insert the other ends of the metal pins into the holes in the shelf (H).



You'll need:



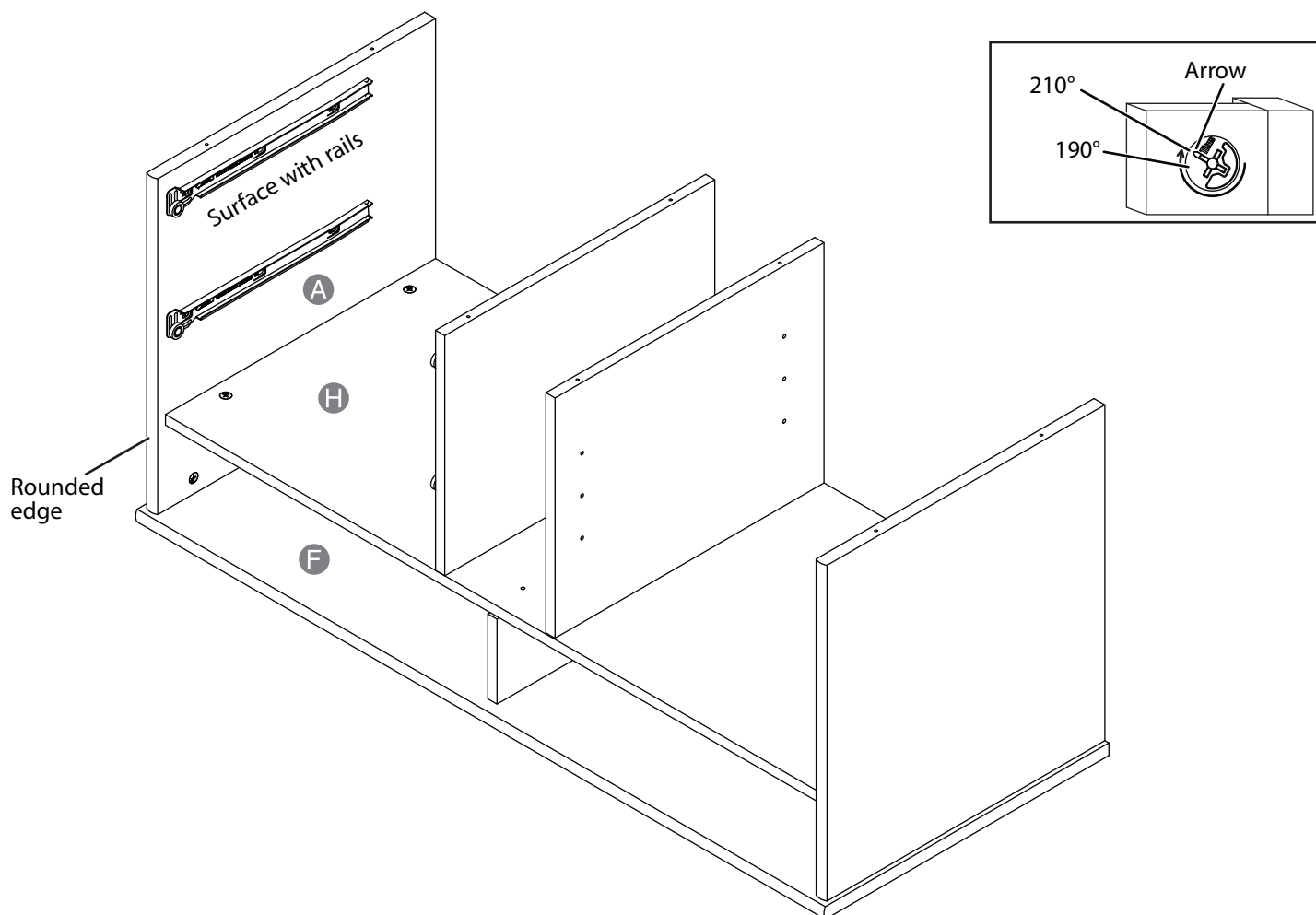
HH (2)



Phillips screwdriver

Step 6: Install the right end

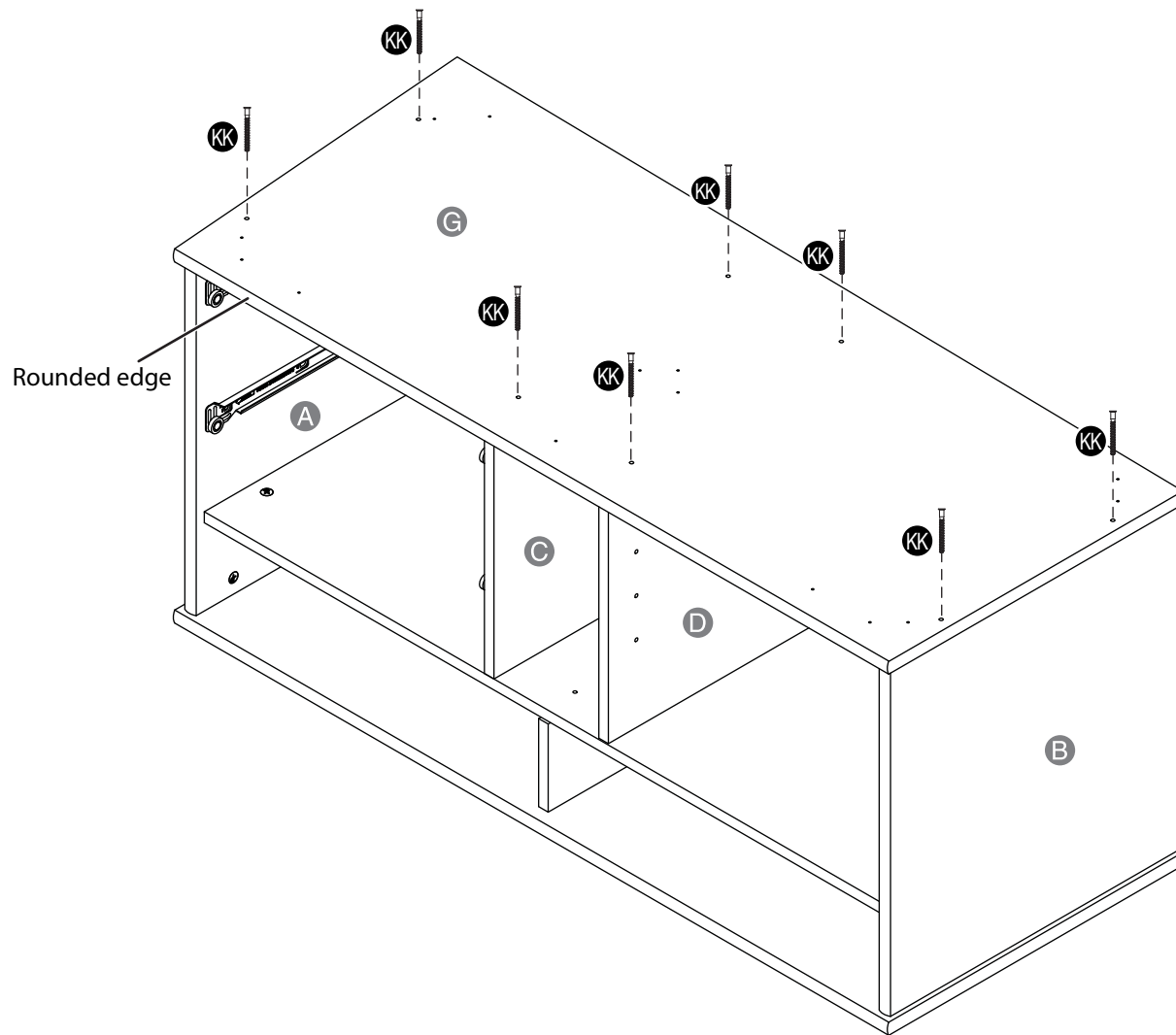
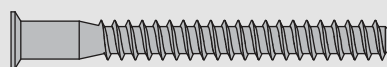
- 1 Make sure that the side of right end (**A**) that has the rails attached faces the center of your TV stand.
- 2 Insert the cam dowels on the edge of the right end (**A**) into the holes on the top (**F**), and insert the cam dowels on the edge of the shelf (**H**) into the holes on the right end (**A**).
- 3 Use a Phillips screwdriver to tighten the four hidden cams: two in the right end (**A**) and two in the shelf (**H**).

**You'll need:**

Phillips screwdriver

Step 7: Install the bottom

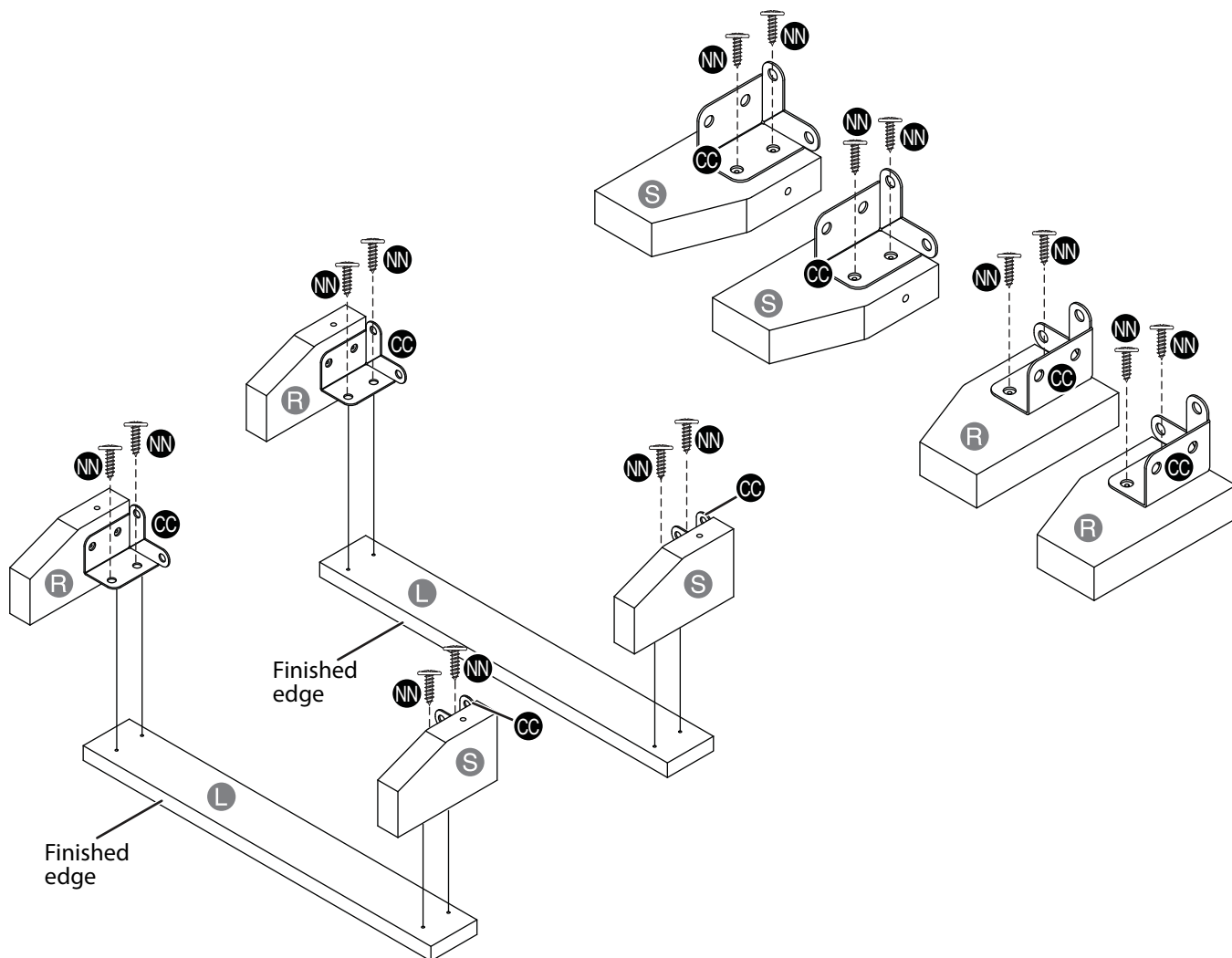
- 1 Make sure that the rounded edge on the bottom (**G**) faces forward.
- 2 Fasten the bottom (**G**) to the ends (**A** and **B**) and uprights (**C** and **D**) using eight black 1-15/16" flat head screws (**KK**).

**You'll need:****KK (8)**

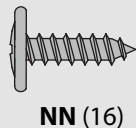
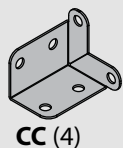
Phillips screwdriver

Step 8: Install the corner brackets

- 1 Fasten four corner brackets (**CC**) to the feet (**R** and **S**) using two black 9/16" large head screws (**NN**) per bracket.
- 2 Make sure that the narrow edges of the feet (**R** and **S**) face the same direction as the finished edges of the side skirts (**L**).
- 3 Fasten the feet (**R** and **S**) to the side skirts (**L**) by inserting two black 9/16" large head screws (**NN**) through each corner bracket (**CC**). Tighten the screws.

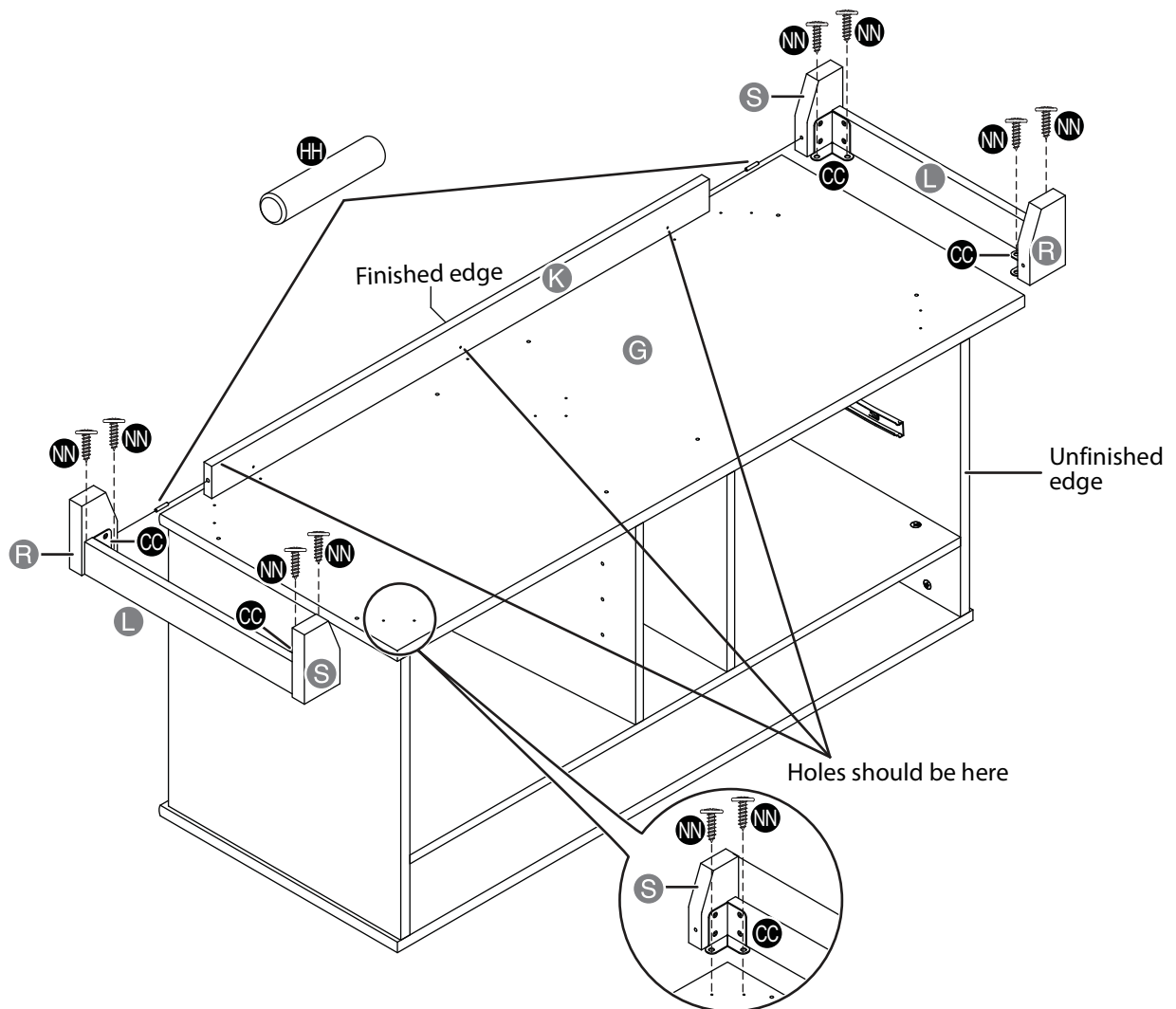


You'll need:

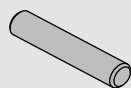


Step 9: Install the skirts

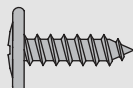
- 1 Insert a metal pin (**HH**) into each end of the front skirt (**K**).
- 2 Align the front skirt (**K**) to the front edge of the bottom (**G**), then insert the ends of the metal pins into the feet (**R** and **S**). Make sure that the finished edges face up and toward the front.
- 3 Fasten the side skirts (**L**) to the bottom (**G**) by inserting two black 9/16" large head screws (**NN**) through each corner bracket (**CC**). Tighten the screws.



You'll need:



HH (2)



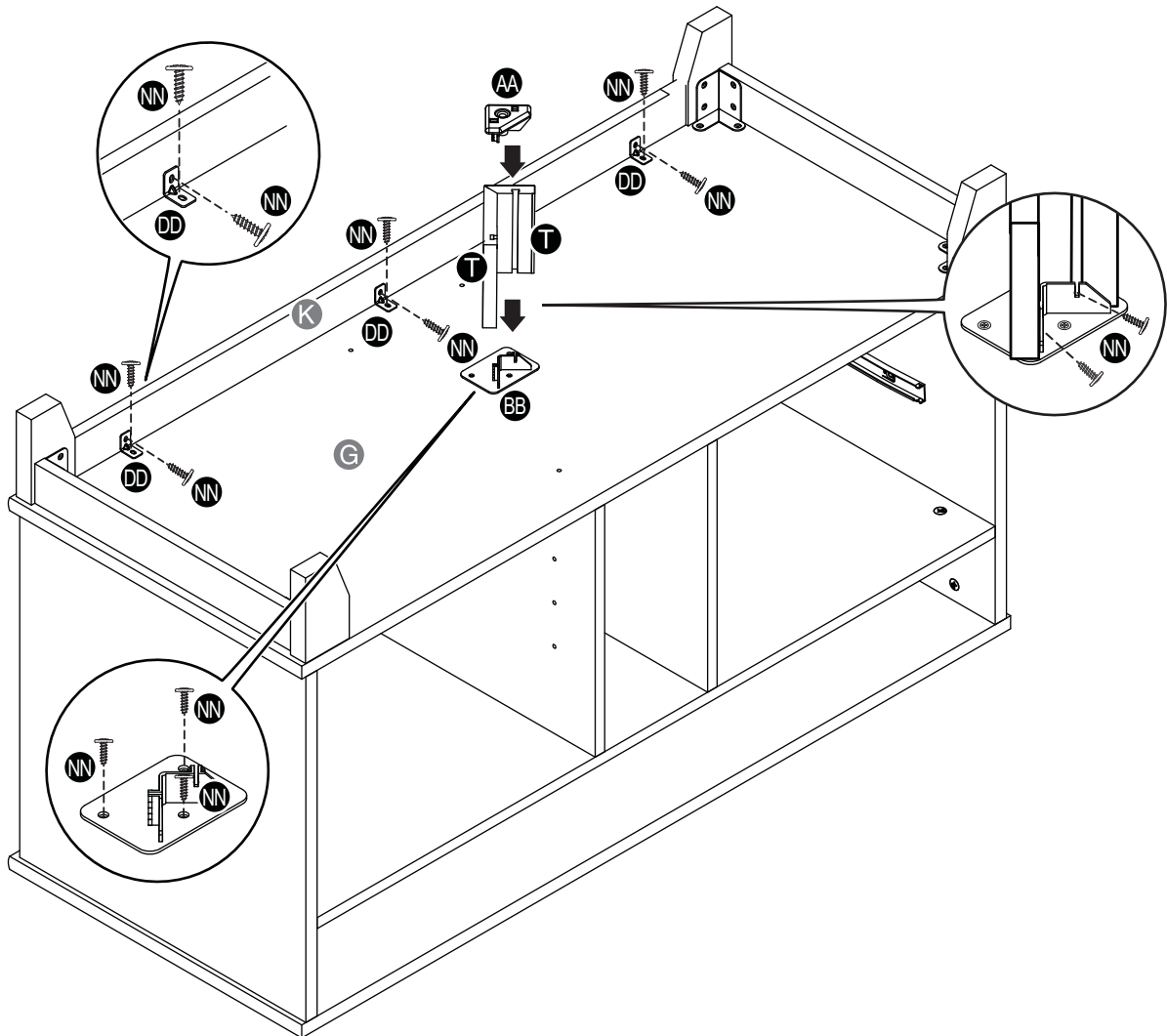
NN (8)



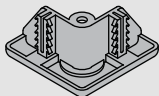
Phillips screwdriver

Step 10: Install the skirt brackets and the foot

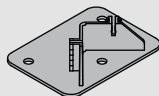
- 1 Fasten three metal brackets (**DD**) to the bottom (**G**) and front skirt (**K**) using two black 9/16" large head screws (**NN**) per bracket.
- 2 Fasten the foot bracket (**BB**) to the bottom (**G**) using three black 9/16" large head screws (**NN**).
- 3 Slide the two center feet (**T**) onto the foot bracket (**BB**).
- 4 Use two black 9/16" large head screws (**NN**) to fasten the foot bracket (**BB**) to the center feet (**T**).
*Note: There are no pre-drilled holes in the center feet (**T**). The screws tighten into the grooves.*
- 5 Insert the corner cap (**AA**) into the grooves in the center feet (**T**).



You'll need:



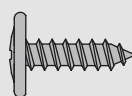
AA (1)



BB (1)



DD (3)



NN (11)



Phillips screwdriver

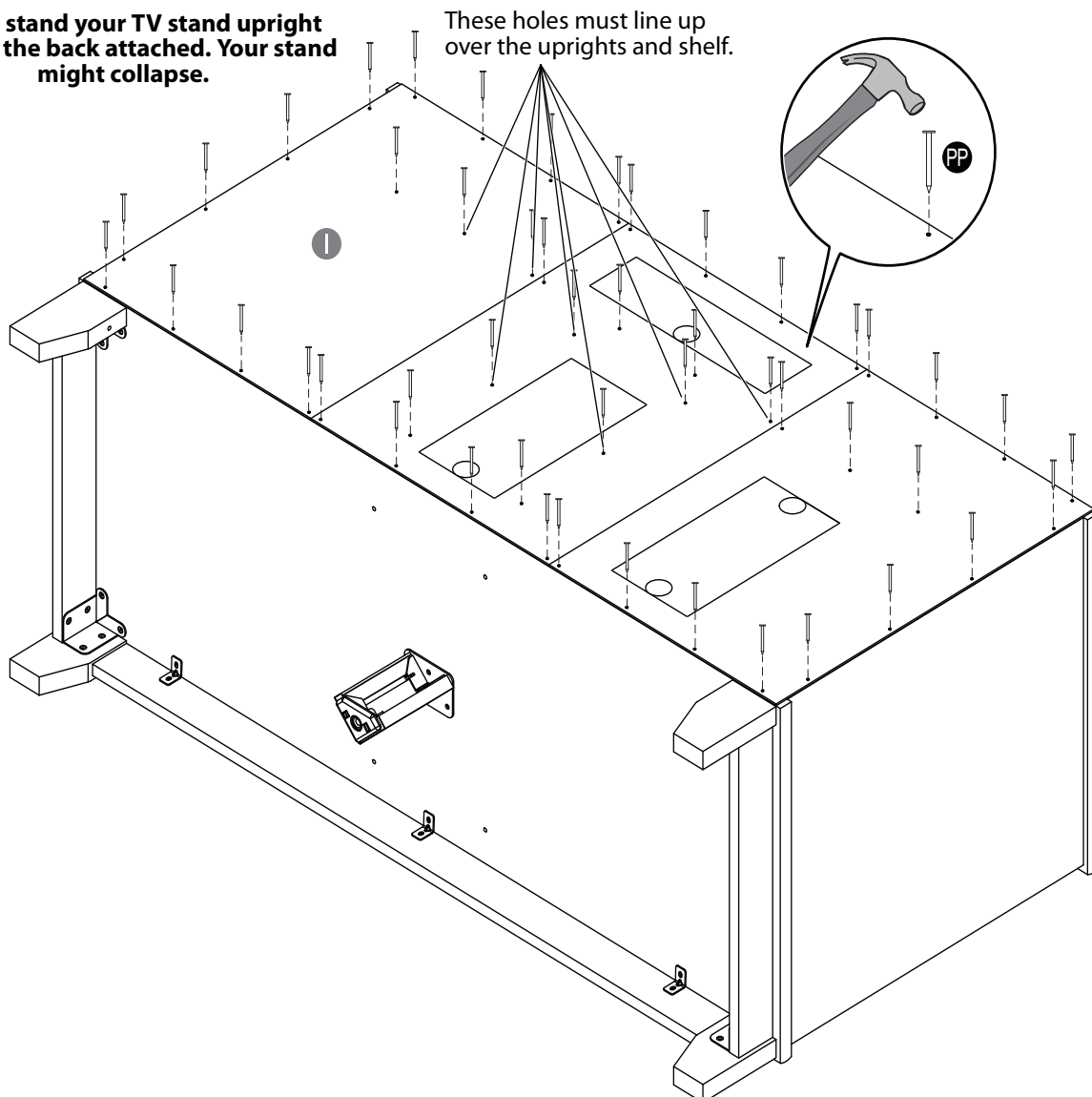
Step 11: Install the back

- 1 Carefully turn your TV stand over onto its front edges. Unfold the back (I) and lay it over your TV stand.
- 2 Make equal margins along all four edges of the back (I). Push on opposite corners of your TV stand if needed to make it "square."
- 3 Fasten the back (I) to your TV stand using the 48 nails (PP).

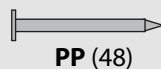
Note: Make sure that you tap nails into the holes that line up over the uprights and shelf.

Note: Perforations have been provided for access through the back. Carefully cut out the holes needed.

Do not stand your TV stand upright without the back attached. Your stand might collapse.



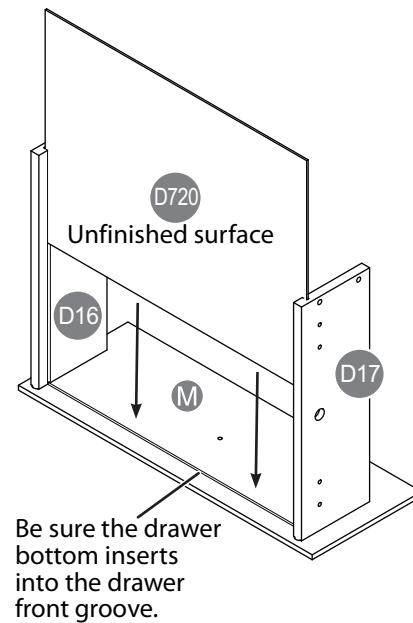
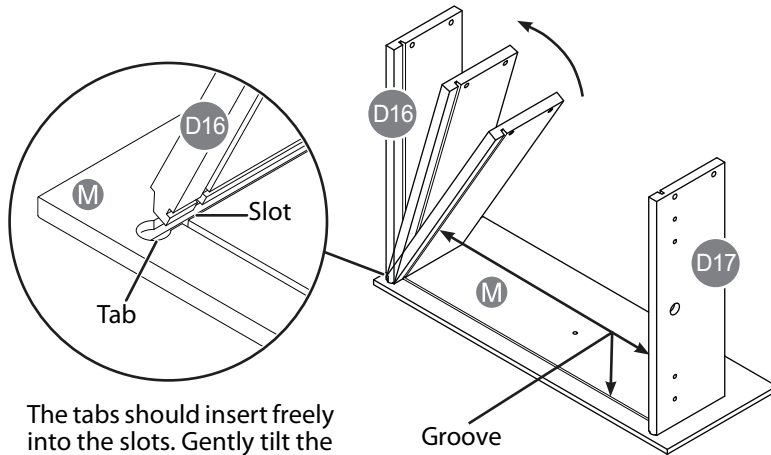
You'll need:



Step 12: Assemble the drawer

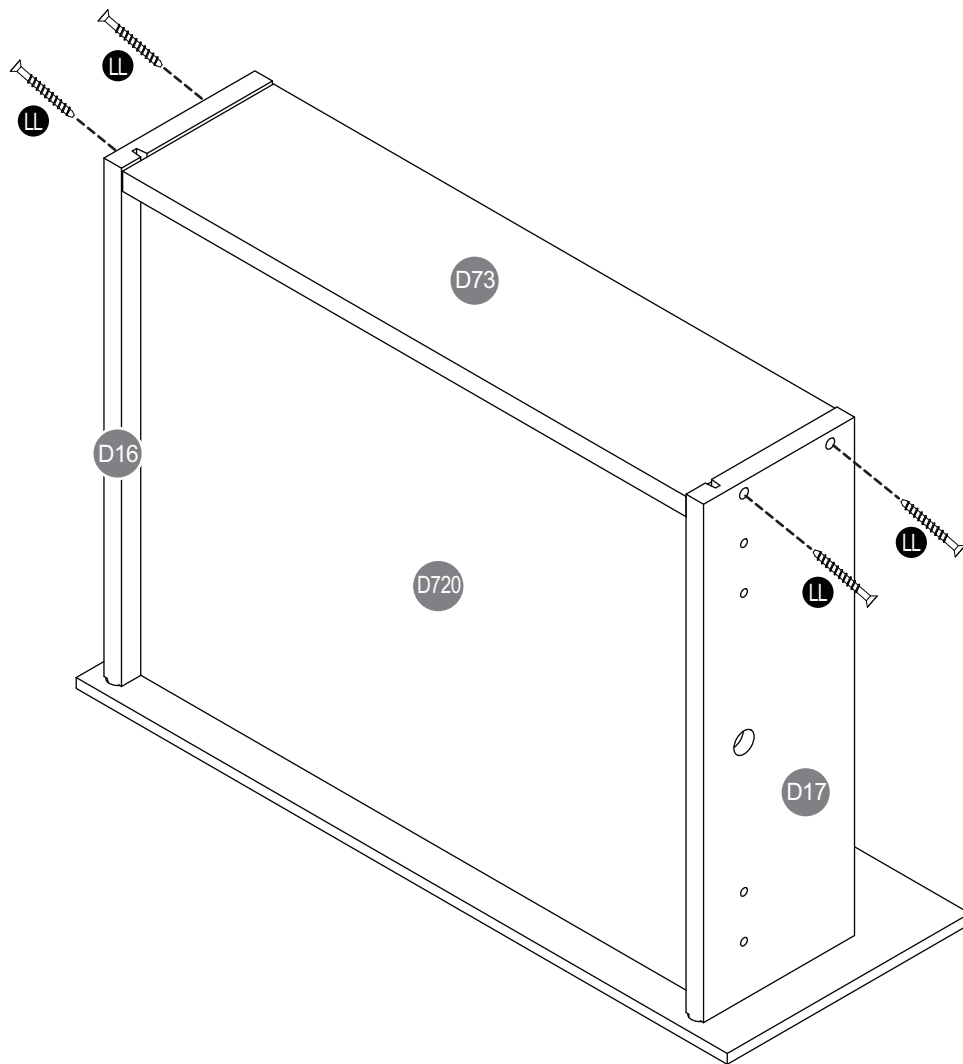
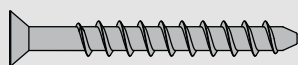
- 1 Insert the tab on the right drawer side (**D16**) at an angle into the slot on the right side of a drawer front (**M**). The tab should easily fit into the slot. Gently tilt the drawer side (**D16**) from side to side until the tab slips into the slot. Repeat to fasten the left drawer side (**D17**) to the left side of the drawer front (**M**).
- 2 Slide a drawer bottom (**D720**) into the grooves in the drawer sides (**D16** and **D17**) and drawer front (**M**).
- 3 Repeat this step to make the other drawer.

*U.S. Patent No. 6,413,007

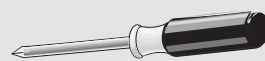


Step 13: Assemble the drawer (continued)

- 1 Fasten a drawer back (D73) to the drawer sides (D16 and D17) using four black 1-9/16" flat head screws (LL).
Note: Make sure that the drawer bottom (D720) inserts into the groove in the drawer back (D73).
- 2 Repeat this step for the other drawer.

**You'll need:**

LL (8)



Phillips screwdriver

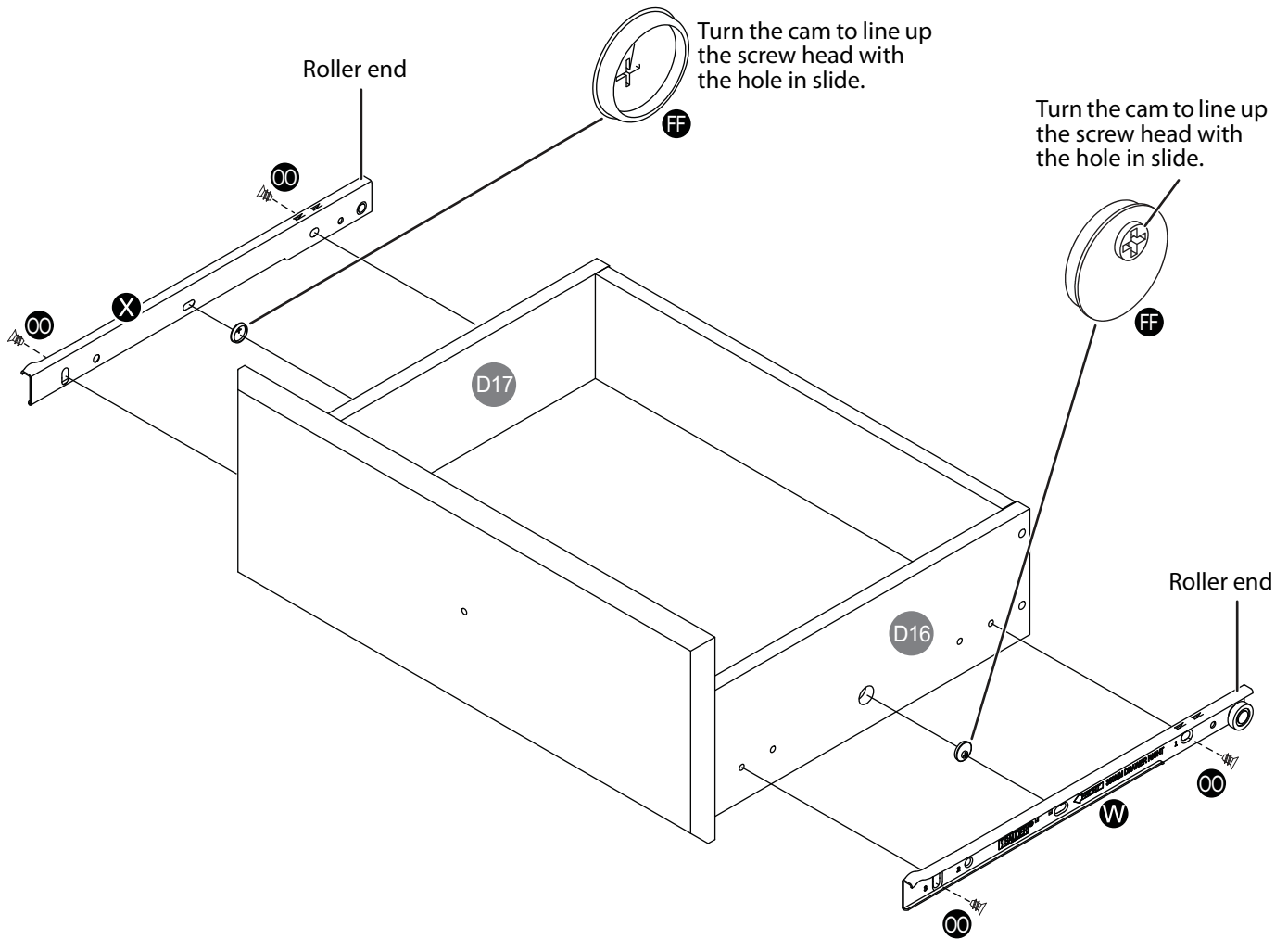
Step 14: Attach the drawer slides

- 1 Insert a slide cam (FF) into the drawer sides (D16 and D17).
- 2 Fasten the drawer slides (W and X) to the drawer sides (D16 and D17) using two gold 5/16" flat head screws (OO) per slide.


Note: The drawer slides are marked "DRAWER RIGHT" and "DRAWER LEFT" for easy identification.

Note: The screw head in the cam must be visible through the slotted hole in the slide.


- 3 Repeat this step for the other drawer.




You'll need:




W (2)



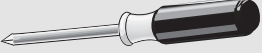
X (2)



FF (4)



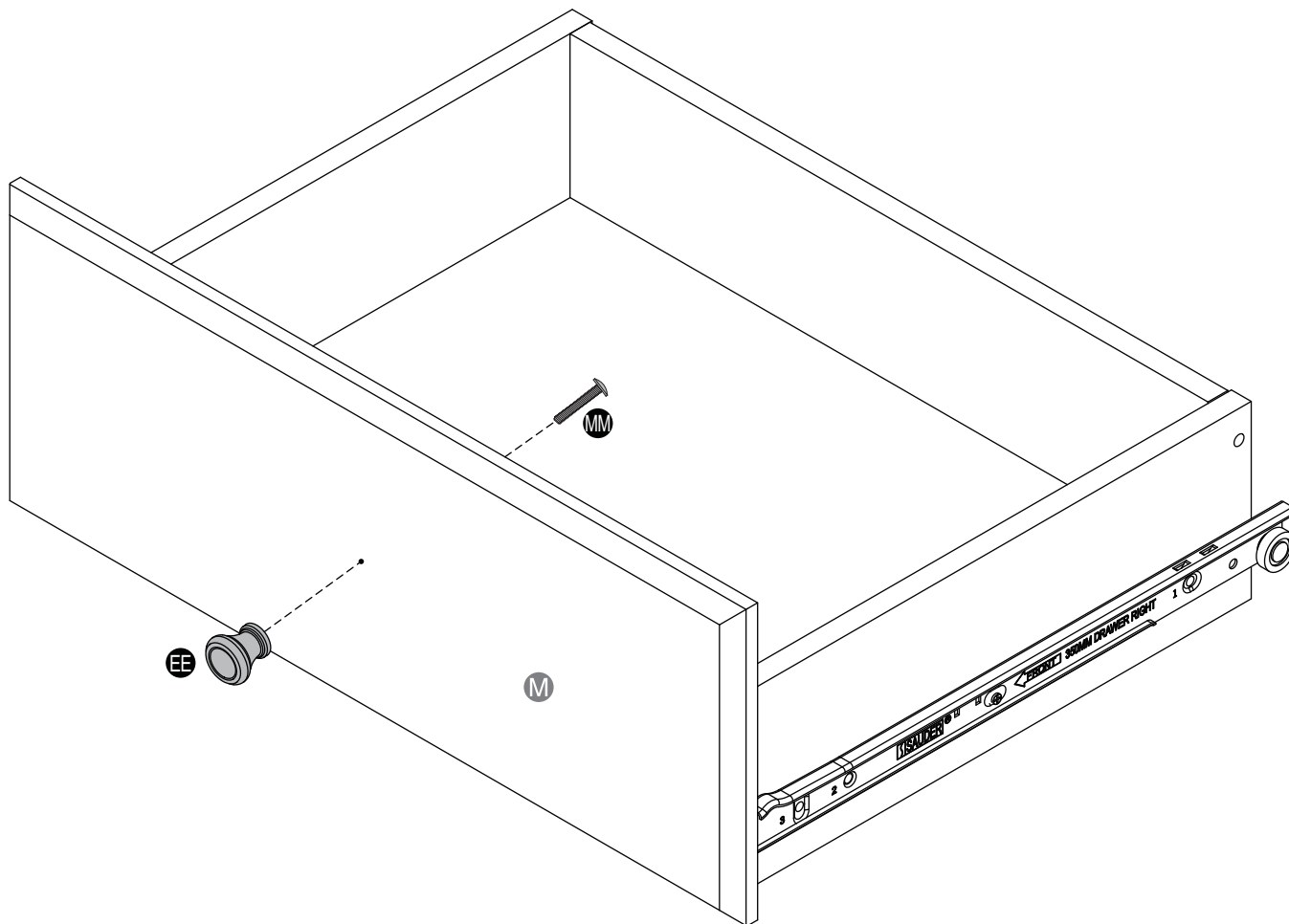
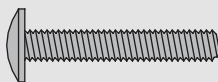
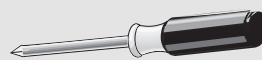
OO (8)



Phillips screwdriver

Step 15: Attach the drawer knob

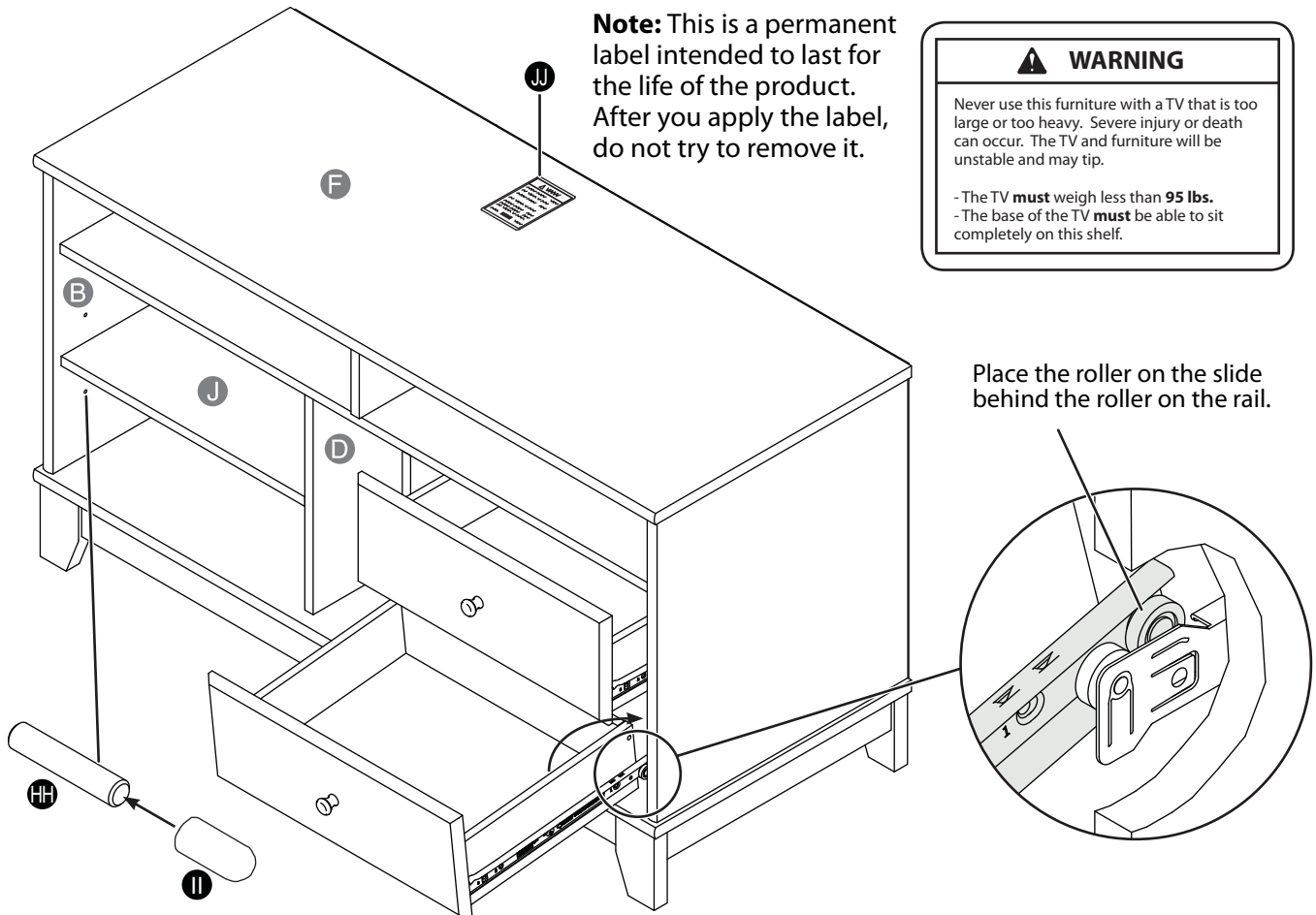
- 1 From the front of the drawer, align the knob (**EE**) over the hole in the drawer front (**M**), then fasten a knob (**EE**) to the drawer front (**M**) using a gold 1" machine screw (**MM**).
- 2 Repeat this step for the other drawer.

**You'll need:****EE (2)****MM (2)**

Phillips screwdriver

Step 16: Install the metal shelf pins and the drawers, and attach the warning label

- 1 Carefully stand your TV stand upright.
- 2 Push the rubber sleeves (II) over the four remaining metal pins (HH). Insert the metal pins into the hole locations of your choice in the left end (B) and left upright (D). Set the adjustable shelf (J) onto the metal pins.
- 3 Tip the front of a drawer down and drop the rollers on the drawer behind the rollers on your TV stand. Lift the front of the drawer up and slide it into your TV stand. Repeat for the other drawer.
- 4 Push a cam cover (GG) onto each visible hidden cam.
- 5 Apply the warning label (JJ) to an area on the top (F) so that the TV will hide the label. Peel off the backing and apply the label as shown in the diagram.

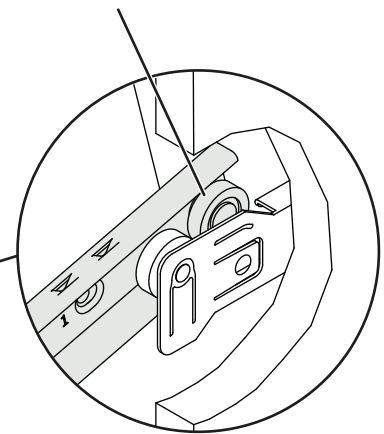


⚠ WARNING


Never use this furniture with a TV that is too large or too heavy. Severe injury or death can occur. The TV and furniture will be unstable and may tip.

- The TV **must** weigh less than **95 lbs.**
- The base of the TV **must** be able to sit completely on this shelf.

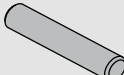
Place the roller on the slide behind the roller on the rail.




You'll need:



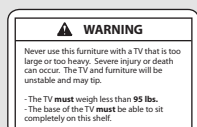
GG (4)




HH (4)



II (4)



JJ (1)

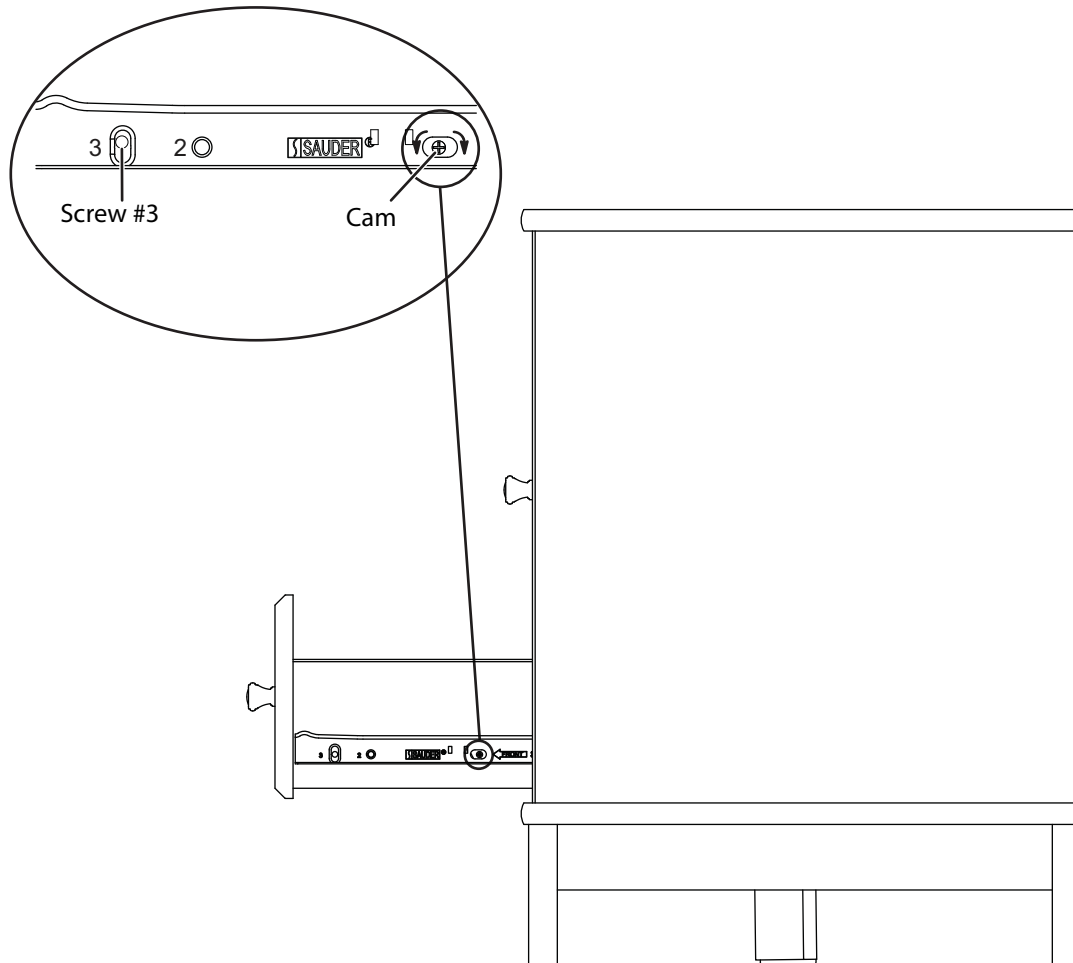


Phillips screwdriver

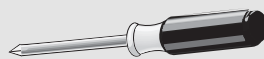
Step 17: Adjust the drawers

Note: Adjusting the drawers helps the drawer fronts line up better when the drawers are closed.

- 1 Loosen the #3 screws in the drawer slides a 1/4 turn, then turn the cams clockwise or counterclockwise. Notice how the drawer raises or lowers as you turn the cams. The higher the screws in the oblong holes, the higher your drawer front will be. The lower the screws, the lower the drawer front.
- 2 Tighten the #3 screws when you finish making adjustments.



You'll need:



Phillips screwdriver


CARE AND MAINTENANCE

Wood/Laminate

- Use your favorite type of furniture polish.
- Do not spray polish directly onto the stand. Spray onto a soft cloth then wipe the stand.
- Always test any polish in a discrete location first, such as the back of the stand, to make sure that there is no adverse reaction.
- Dust frequently with a soft cloth.
- Never slide objects across surfaces. Lift objects from the top surface rather than dragging them across the finish when moving them.
- Do not expose your stand to direct sunlight, drying heat sources, or dampness.

Glass

- Use a commercial liquid glass cleaner and a soft cloth.
- Do not use harsh powders or any other abrasive substances as they will scratch the glass.
- Clean spills immediately with a soft, damp cloth.
- Protect surfaces by using felt, leather, or cork under accessories.
- Use a protective pad when using your stand as a writing surface (especially when using a ballpoint pen).
- Dust frequently with a soft cloth.

|  WARNING | | |
|--|--|--|
| Please use your stand correctly and safely. Improper use can cause safety hazards or damage to your furniture or household items. <i>Carefully read the following chart.</i> | | |
| Look out for: | What can happen: | How to avoid the problem: |
| <ul style="list-style-type: none"> • Children climbing on the stand. • A child may try to reach a toy or other object by climbing on the stand. • Children will play and be active near the TV. | <ul style="list-style-type: none"> • Risk of injury or death. • A child climbing on the stand can make it top-heavy and cause it to tip over. • A child playing with a TV can cause it to tip over. | <ul style="list-style-type: none"> • Never allow children to climb on or play with the stand. • Do not place toys or food on the top shelves. Children may try to climb to reach them out of curiosity. |
| <ul style="list-style-type: none"> • Improper use of the stand to support TVs. • The stand is designed for use with TVs will specify the maximum weight rating and recommended size of the TVs it will safely support. | <ul style="list-style-type: none"> • Risk of injury or death. • TVs can be very heavy. Note, older CRT TVs tend to be unbalanced and prone to tipping forward. | <ul style="list-style-type: none"> • A TV must only be set on furniture specifically designed to support a television. • Never use a TV that exceeds the weight ratings or size guidelines specified for the stand. |
| <ul style="list-style-type: none"> • Overloaded shelves | <ul style="list-style-type: none"> • Risk of injury. • Top-heavy furniture can tip over. • Overloaded shelves can break. | <ul style="list-style-type: none"> • Never exceed the weight limits shown in the instructions. • Work from the bottom to the top when loading shelves. • The bottom shelves can only support 25 lbs. while the top can support 95 lbs. |
| <ul style="list-style-type: none"> • Improperly moving the stand. | <ul style="list-style-type: none"> • The stand can tip over or break if improperly moved. • Risk of injury. | <ul style="list-style-type: none"> • Unload shelves from the top to the bottom before moving the stand. • Do not push the stand, especially on a carpeted floor. Have a friend help you lift the item and set it in place. • Do not lift the stand using the top shelf. Lift from the frame or leg assembly. • Remove the TV before moving the TV stand. |

ONE-YEAR LIMITED WARRANTY - INSIGNIA

Definitions:

The Distributor* of Insignia branded products warrants to you, the original purchaser of this new Insignia-branded product ("Product"), that the Product shall be free of defects in the original manufacturer of the material or workmanship for a period of one (1) year from the date of your purchase of the Product ("Warranty Period").

For this warranty to apply, your Product must be purchased in the United States or Canada from a Best Buy branded or Future Shop branded retail store or online at www.bestbuy.com, www.bestbuy.ca, or www.futureshop.ca and is packaged with this warranty statement.

How long does the coverage last?

The Warranty Period lasts for 1 year (365 days) from the date you purchased the Product. Your purchase date is printed on the receipt you received with the Product.

What does this warranty cover?

During the Warranty Period, if the original manufacture of the material or workmanship of the Product is determined to be defective by an authorized Insignia repair center or store personnel, Insignia will (at its sole option): (1) repair the Product with new or rebuilt parts; or (2) replace the Product at no charge with new or rebuilt comparable products or parts. Products and parts replaced under this warranty become the property of Insignia and are not returned to you. If service of Products or parts are required after the Warranty Period expires, you must pay all labor and parts charges. This warranty lasts as long as you own your Insignia Product during the Warranty Period. Warranty coverage terminates if you sell or otherwise transfer the Product.

How to obtain warranty service?

If you purchased the Product at a Best Buy or Future Shop retail store location, please take your original receipt and the Product to any Best Buy or Future Shop store. Make sure that you place the Product in its original packaging or packaging that provides the same amount of protection as the original packaging. If you purchased the Product from a Best Buy or Future Shop online web site (www.bestbuy.com, www.bestbuy.ca, or www.futureshop.ca), mail your original receipt and the Product to the address listed on the web site. Make sure that you put the Product in its original packaging or packaging that provides the same amount of protection as the original packaging.

To obtain warranty service, in the United States call 1-888-BESTBUY, Canada call 1-866-BESTBUY for Future Shop call 1-800-663-2275. Call agents may diagnose and correct the issue over the phone.

Where is the warranty valid?

This warranty is valid only in the United States and Canada at Best Buy or Future Shop branded retail stores or websites to the original purchaser of the product in the county where the original purchase was made.

What does the warranty not cover?

This warranty does not cover:

- Customer instruction/education
- Installation
- Set up adjustments
- Cosmetic damage
- Damage due to weather, lightning, and other acts of God, such as power surges
- Accidental damage
- Misuse
- Abuse
- Negligence
- Commercial purposes/use, including but not limited to use in a place of business or in communal areas of a multiple dwelling condominium or apartment complex, or otherwise used in a place of other than a private home.

- Modification of any part of the Product, including the antenna
- Display panel damaged by static (non-moving) images applied for lengthy periods (burn-in).
- Damage due to incorrect operation or maintenance
- Connection to an incorrect voltage or power supply
- Attempted repair by any person not authorized by Insignia to service the Product
- Products sold "as is" or "with all faults"
- Consumables, including but not limited to batteries (i.e. AA, AAA, C etc.)
- Products where the factory applied serial number has been altered or removed
- Loss or Theft of this product or any part of the product
- Display panels containing up to three (3) pixel failures (dots that are dark or incorrectly illuminated) grouped in an area smaller than one tenth (1/10) of the display size or up to five (5) pixel failures throughout the display. (Pixel based displays may contain a limited number of pixels that may not function normally.)
- Failures or Damage caused by any contact including but not limited to liquids, gels or pastes.

REPAIR REPLACEMENT AS PROVIDED UNDER THIS WARRANTY IS YOUR EXCLUSIVE REMEDY FOR BREACH OF WARRANTY. INSIGNIA SHALL NOT BE LIABLE FOR ANY INCIDENTAL OR CONSEQUENTIAL DAMAGES FOR THE BREACH OF ANY EXPRESS OR IMPLIED WARRANTY ON THIS PRODUCT, INCLUDING, BUT NOT LIMITED TO, LOST DATA, LOSS OF USE OF YOUR PRODUCT, LOST BUSINESS OR LOST PROFITS. INSIGNIA PRODUCTS MAKES NO OTHER EXPRESS WARRANTIES WITH RESPECT TO THE PRODUCT, ALL EXPRESS AND IMPLIED WARRANTIES FOR THE PRODUCT, INCLUDING, BUT NOT LIMITED TO, ANY IMPLIED WARRANTIES OF AND CONDITIONS OF MERCHANTABILITY AND FITNESS FOR A PARTICULAR PURPOSE, ARE LIMITED IN DURATION TO THE WARRANTY PERIOD SET FORTH ABOVE AND NO WARRANTIES, WHETHER EXPRESS OR IMPLIED, WILL APPLY AFTER THE WARRANTY PERIOD. SOME STATES, PROVINCES AND JURISDICTIONS DO NOT ALLOW LIMITATIONS ON HOW LONG AN IMPLIED WARRANTY LASTS, SO THE ABOVE LIMITATION MAY NOT APPLY TO YOU. THIS WARRANTY GIVES YOU SPECIFIC LEGAL RIGHTS, AND YOU MAY ALSO HAVE OTHER RIGHTS, WHICH VARY FROM STATE TO STATE OR PROVINCE TO PROVINCE.

Contact Insignia:

For customer service please call 1-877-467-4289

www.insigniaproducts.com

INSIGNIA is a trademark of Best Buy and its affiliated companies.

Registered in some countries.

Distributed by Best Buy Purchasing, LLC

7601 Penn Ave South, Richfield, MN 55423 U.S.A.

©2014 Best Buy. All rights reserved.

Made in USA with U.S. and imported materials

INSIGNIA™

Certificate of Conformity

1. This certificate applies to the Insignia Product identified by this instruction booklet.
2. This certificate applies to the compliance of this product with the CPSC Ban on Lead-Containing Paint (16 CFR 1303).
3. This product was manufactured for:
Insignia
4. Date of Manufacture: _____
Lot number: 361848

1-877-467-4289 (U.S. and Canada) or 01-800-926-3000 (Mexico)
www.insigniaproducts.com

INSIGNIA is a trademark of Best Buy and its affiliated companies.
Registered in some countries.
Distributed by Best Buy Purchasing, LLC
7601 Penn Ave South, Richfield, MN 55423 U.S.A.
©2014 Best Buy. All rights reserved.
Made in USA with U.S. and imported materials

Download from Www.Somanuals.com. All Manuals Search And Download.

V1 ENGLISH
14-0248

Free Manuals Download Website

<http://myh66.com>

<http://usermanuals.us>

<http://www.somanuals.com>

<http://www.4manuals.cc>

<http://www.manual-lib.com>

<http://www.404manual.com>

<http://www.luxmanual.com>

<http://aubethermostatmanual.com>

Golf course search by state

<http://golfingnear.com>

Email search by domain

<http://emailbydomain.com>

Auto manuals search

<http://auto.somanuals.com>

TV manuals search

<http://tv.somanuals.com>