

# INSIGNIA™

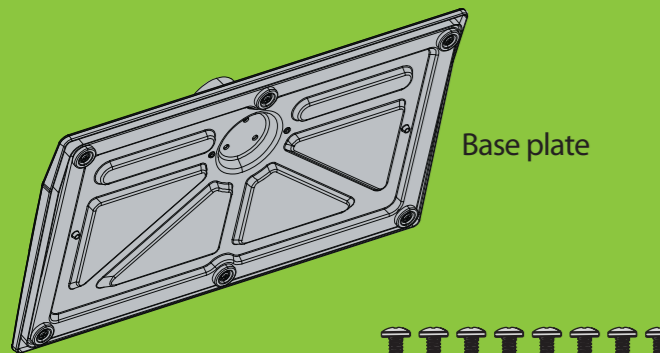
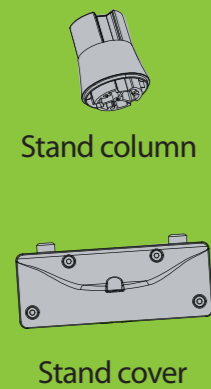
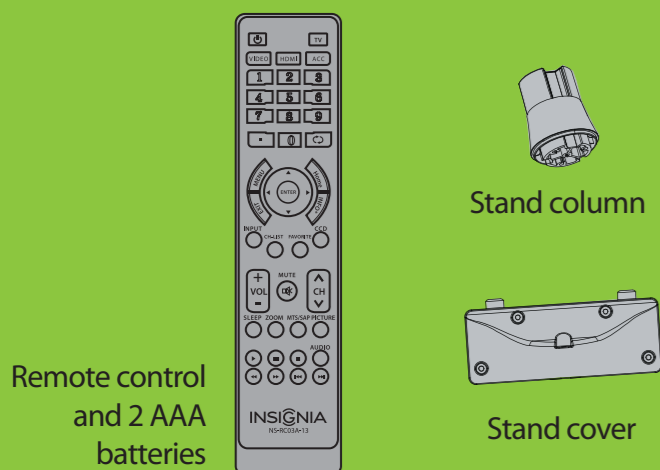
39" 1080p LED TV

## QUICK SETUP GUIDE

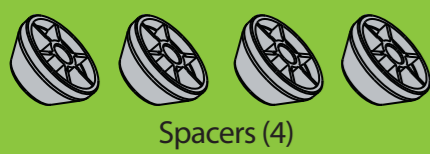
NS-39E480A13

### Thank You

for purchasing this fine Insignia television.  
We hope you enjoy the quality and reliability of this product for years to come.



M5 screws (12 mm length) (8)

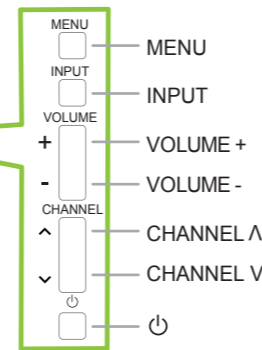


### WE ARE GOING GREEN!

A copy of your User Guide is not provided in the box but is available online. Go to [www.insigniaproducts.com](http://www.insigniaproducts.com), click **Support & Service**, enter your model number in the **Product Search** field, then click **Search**.

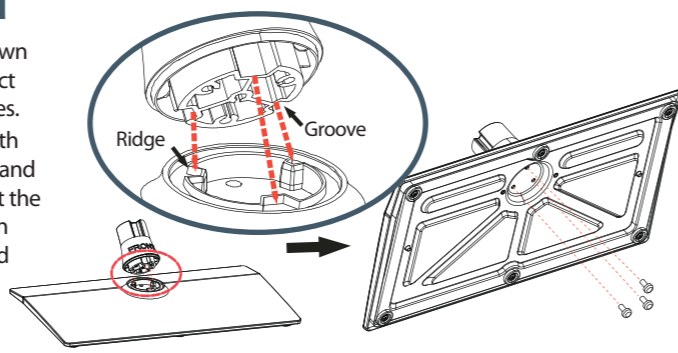


### Front features

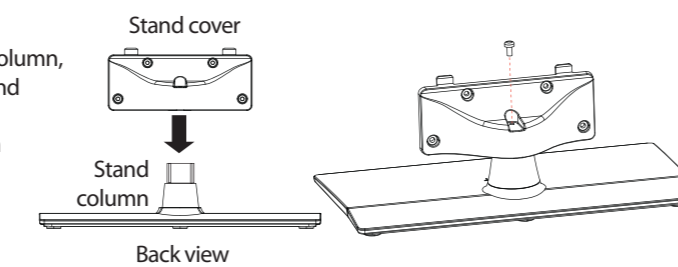


### Installing the stand

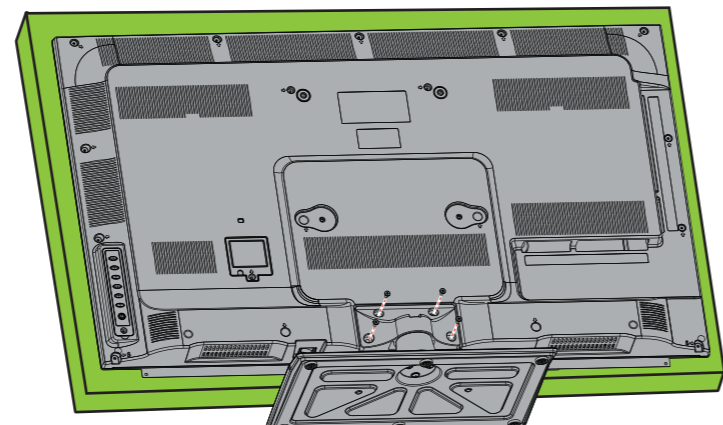
- Carefully place your TV screen face-down on a cushioned, clean surface to protect the screen from damages and scratches.
- Align the front of the stand column with the front of the base, then insert the stand column into the base making sure that the grooves in the stand column align with the ridges in the base. Secure the stand column to the base with three M5 x 12 mm screws (provided).



- Align the stand cover with the stand column, then secure the stand cover to the stand column with one M5 x 12 mm screw (provided). Make sure that the bottom of the stand cover is flush against the top of the stand column.



- Secure the stand cover to the TV using four M5 x 12 mm screws (provided).



### Installing a wall-mount bracket

- Carefully place your TV screen face-down on a cushioned, clean surface to protect the screen from damages and scratches.
- Insert four spacers (provided) into the corresponding bracket screw holes on the back of your TV, then attach the wall-mount bracket to your TV using four M6 x 30 screws (provided) or the screws/spacers provided with the wall-mount bracket. See the instructions that came with the wall-mount bracket for screw/washer configurations and information on how to correctly hang your TV.

#### Warning

This apparatus is intended to be supported by a UL Listed wall-mount bracket.

### Identifying cables

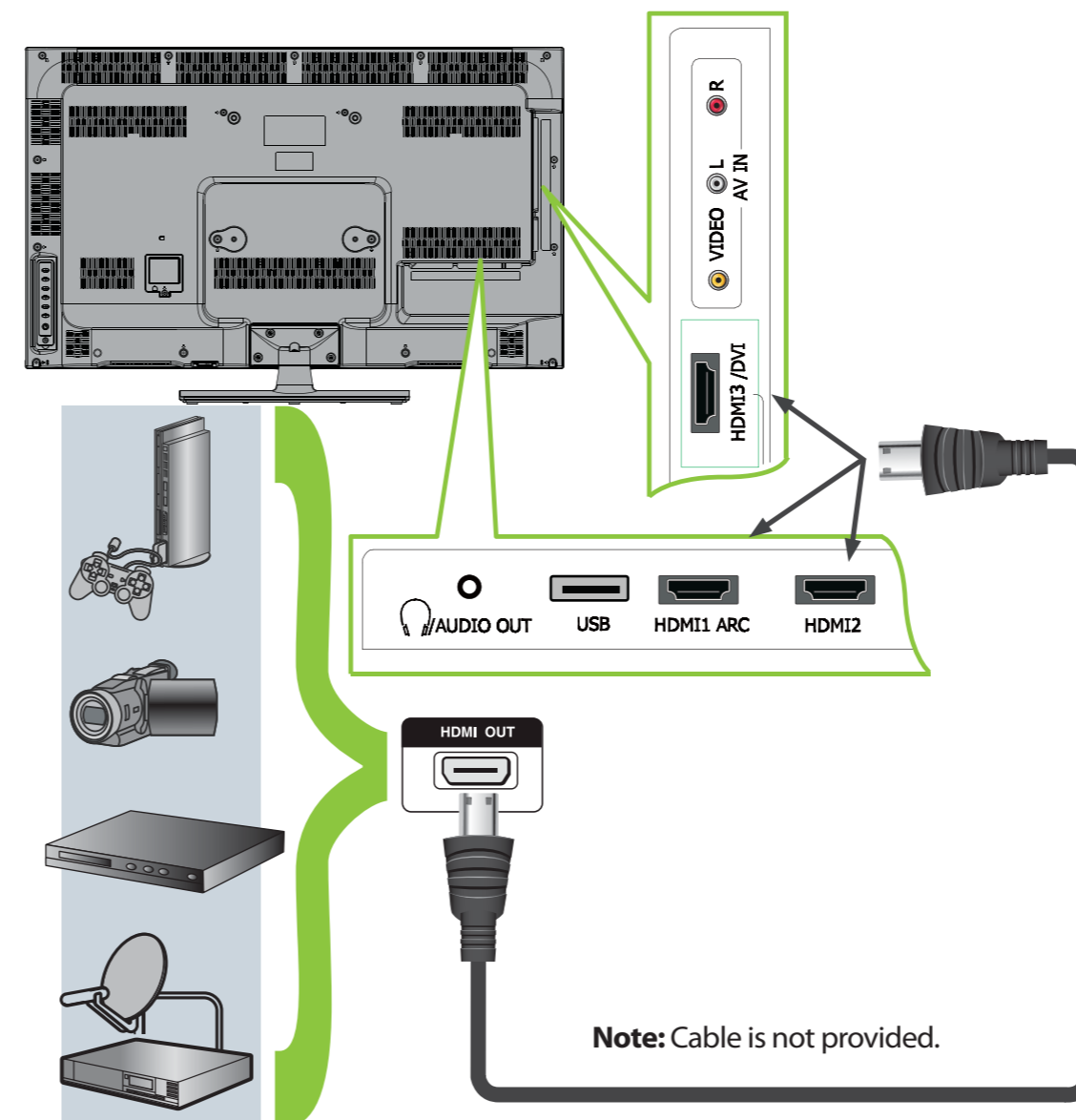
Your TV has several connection types for connecting devices. For the best video quality, connect a device to the best available connection.

Connection type	Video quality	Cable connector
HDMI video/audio	Best	
Component video and analog audio	Better	
Composite video and analog audio	Good	

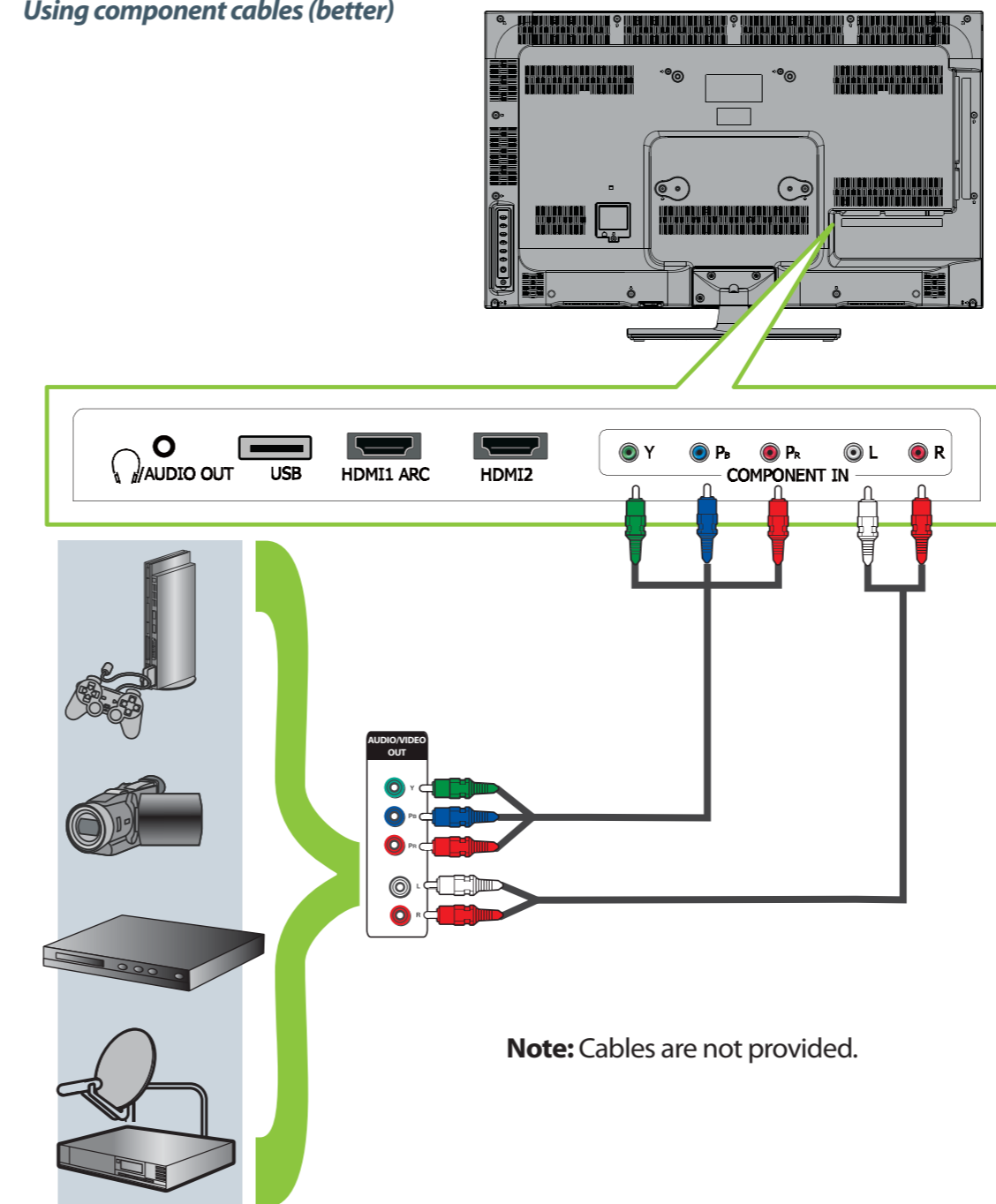
You can use the HDMI 3/DVI jack to connect a DVI device to your TV. You need to attach an HDMI-to-DVI adapter to the end of the HDMI cable that connects to the DVI device's jack.

### Connecting a DVD or Blu-ray player, cable box, satellite receiver, camcorder, or game station

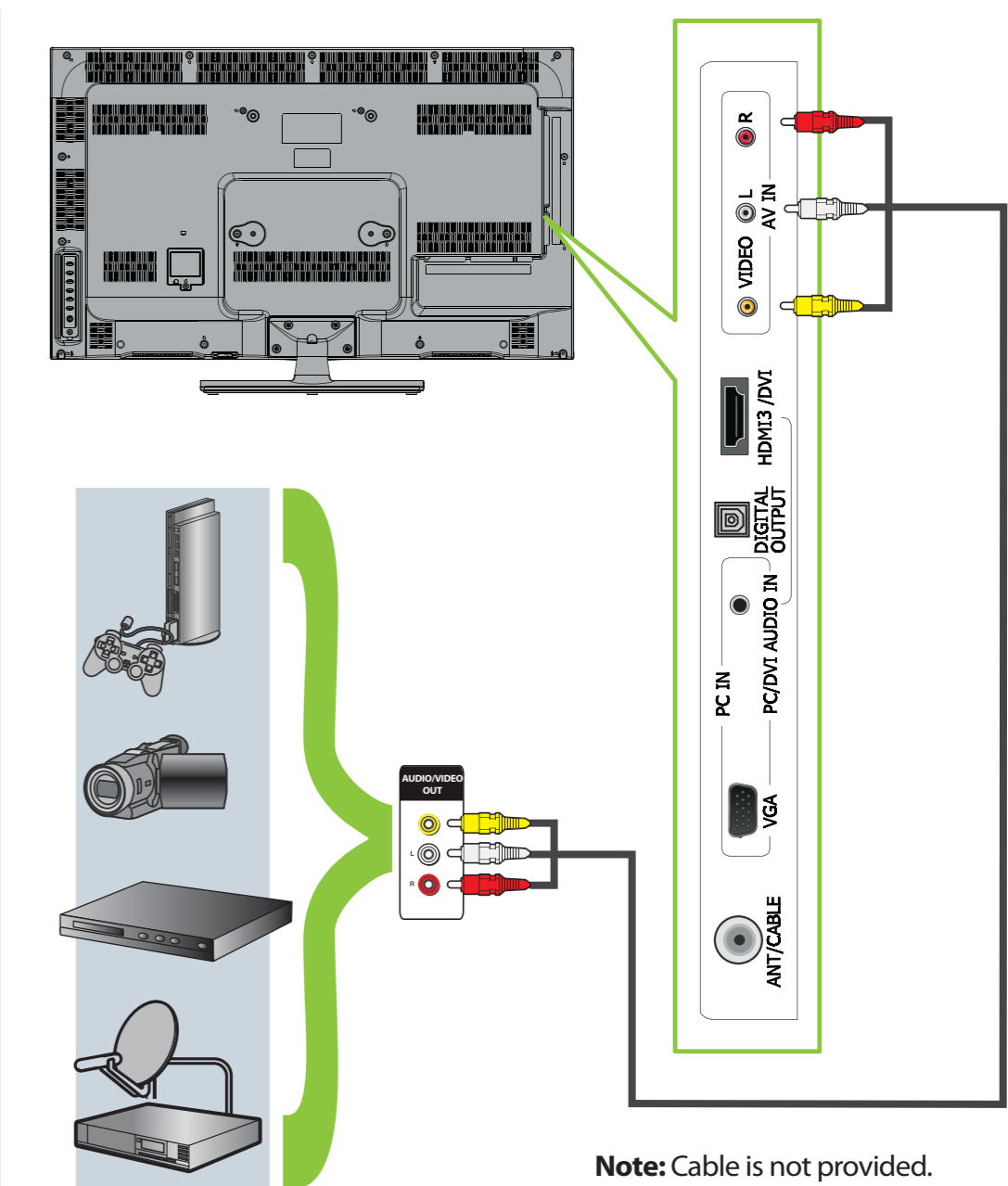
Using an HDMI cable (best)



Using component cables (better)

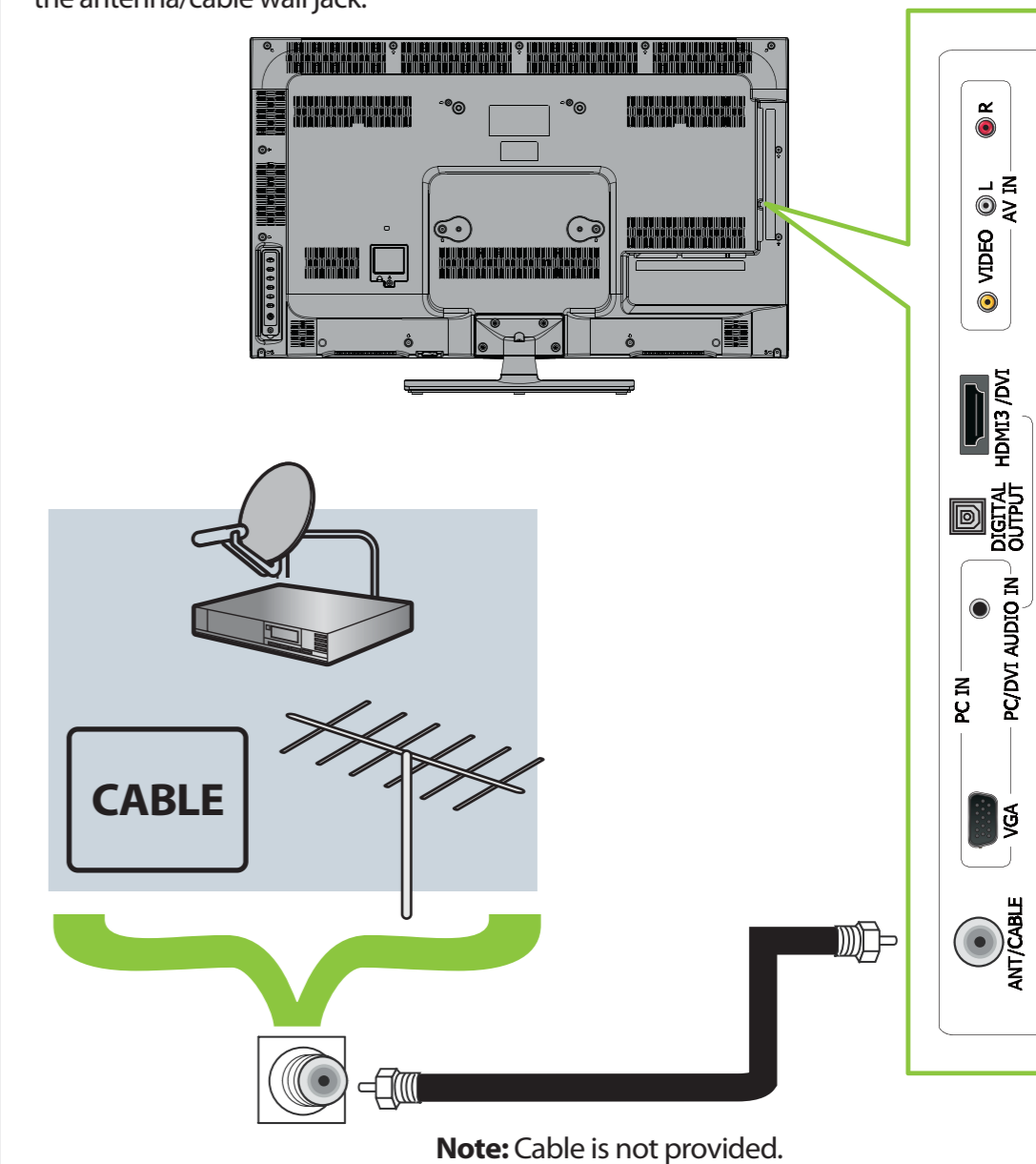


Using an AV cable (good)



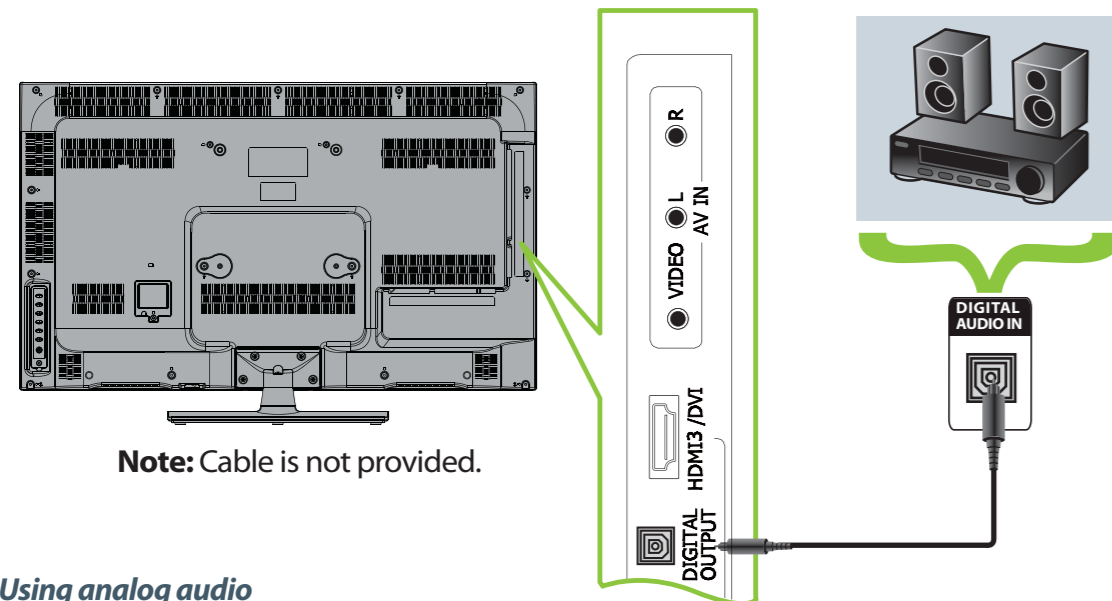
### Connecting an antenna/cable wall jack

Connect a coaxial cable to the ANT/CABLE jack on the side of your TV and to the antenna/cable wall jack.

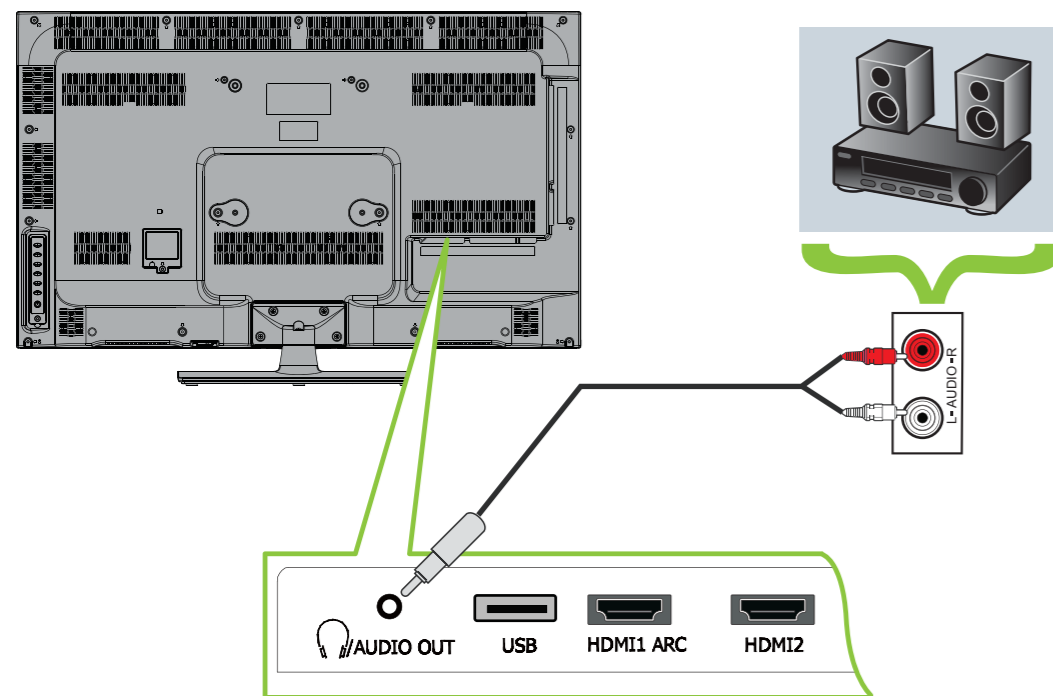


### Connecting a home theater system

Using digital audio

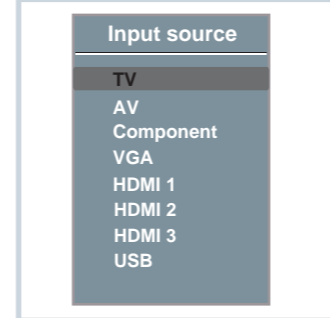
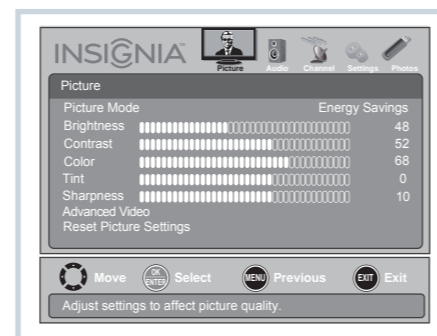
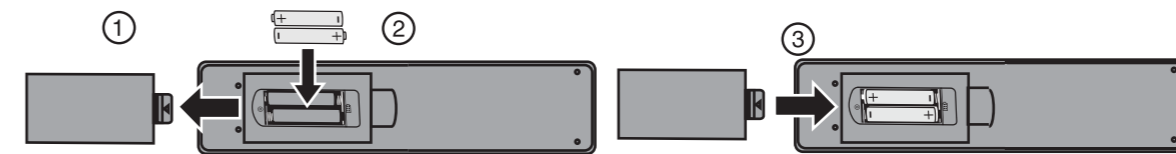


Using analog audio



### Setting up and using your remote control

- 1 Press the release button on the back of the remote to remove the battery compartment cover.
- 2 Insert two AAA batteries into the battery compartment. Make sure that the + and - symbols on the batteries match the + and - symbols in the battery compartment.
- 3 Replace the cover.



#### Aspect ratio options

- Normal:** Displays the original 4:3 aspect ratio with vertical black bars on the left and right hand side of the screen.
- Zoom:** Expands the image to fill the screen. The top and bottom of the image may be cropped.
- Wide:** Use this option to view content recorded in a 16:9 (wide-screen) aspect ratio.
- Cinema:** Stretches the image at the edges, but keeps a clear image in the center.
- Auto:** Automatically adjusts the image based on the screen size and the TV program. **Note:** Auto is only available when Auto Zoom in the CHANNELS menu is set to On.

- Power:** Turns your TV on or off.
- Numbers:** Enter channel numbers. Enters a digital sub-channel number (e.g. 4.1).
- ENTER:** Confirms selections or changes.
- MENU:** Opens the on-screen menu.
- EXIT:** Closes the on-screen menu.
- INPUT:** Opens the Input source List.
- CH-LIST:** Opens the channel list.
- Volume:** Changes the volume.
- SLEEP:** Sets the sleep timer.
- ZOOM:** Changes how the picture displays on the screen.
- Quick Launch Inputs:** Selects another video source connected to your TV. **Note:** The ACC button has no function.
- RECALL:** Returns to the previous channel.
- Arrows:** Navigates in on-screen menus.
- Home:** Opens to the on-screen menu.
- INFO:** Opens a TV status banner.
- CCD:** Turns closed captioning on or off.
- FAVORITE:** Opens the Favorite Channel List.
- MUTE:** Mutes the sound.
- Channel:** Changes the TV channels.
- PICTURE:** Selects the video mode.
- MTS/SAP:** Cycles through mono, stereo, and secondary audio for analog programs.
- AUDIO:** Selects the audio mode.
- INlink Controls:** Controls HDMI-CEC devices connected to your TV.

### Programming your remote control

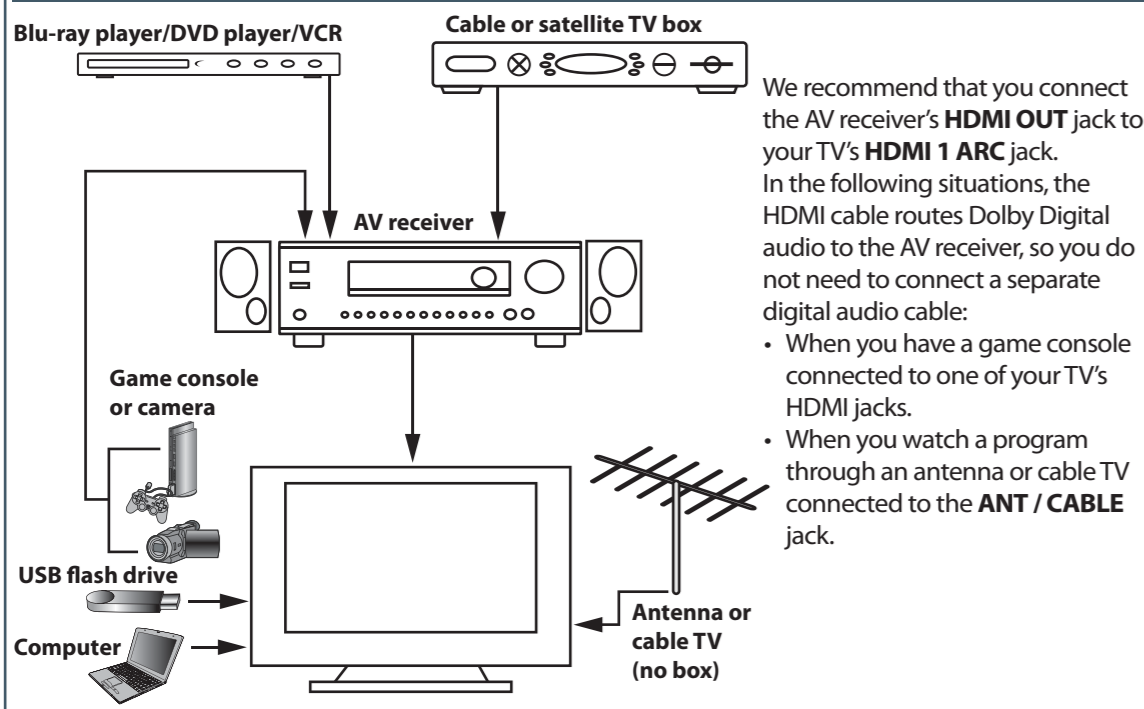
To program a universal remote control to work with your new Insignia TV, see the table for common codes. If you have problems programming your remote or need a different remote control code, visit [www.insigniaproducts.com/remotecodes](http://www.insigniaproducts.com/remotecodes) for the latest remote control code information.

Universal remote TV codes												
Universal remote controls				Cable/Satellite/Set-top boxes								
One for All	Philips	RCA	Sony	Cablevision	Charter	Comcast	Cox	Direct TV	Dish Network	Time Warner	Tivo	Verizon
0054	0198, 0490	135	068, 069, 078, 096, 100, 164, 168, 229, 026	068, 069, 078, 096, 100, 164, 168, 229, 026	2002, 1204, 1423, 1517, 0171, 1963, 0463, 1463, 0842, 1326, 167, 415, 424, 450, 456, 461, 507, 523, 567, 577, 586	10171, 11204, 11326, 11463, 11517, 11641, 11780, 11785, 11892, 11963, 12002	1326, 1463	10171, 11204, 11326, 11517, 11564, 11641, 11963, 12002	720	400, 450, 461, 456, 10463, 1463, 0463	0091	0198, 0490

### Turning on your TV for the first time

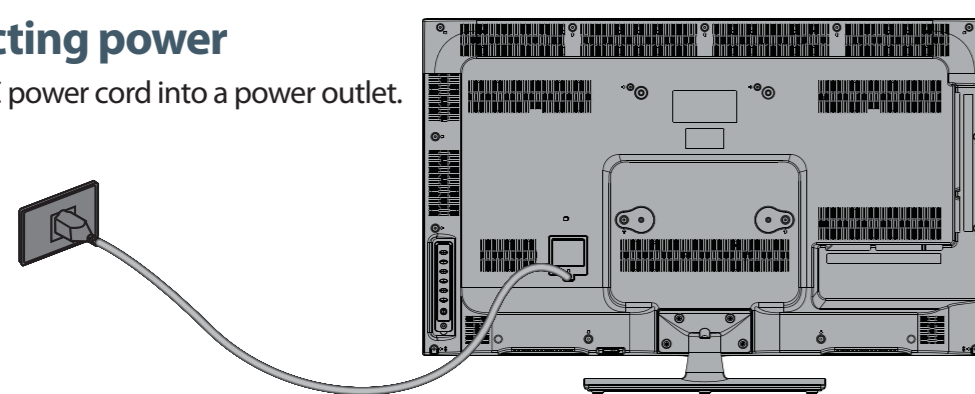
- 1 Connect your TV's power cord to a power outlet, then press **Power**. The *Choose Your Menu Language* screen opens.
- 2 Press **▲** or **▼** to highlight a language, then press **ENTER**. The *Choose Your Time Settings* screen opens.
- 3 Press **◀** or **▶** to select **Auto** or **Manual**. If you select **Auto**, the date and time are set automatically from a digital TV signal. If you select **Manual**, you can manually set the date and time. Press **ENTER**. The *Choose Your Picture Mode* screen opens.
- 4 Press **▲** or **▼** to highlight **Home Mode** or **Retail Mode**, then press **ENTER**. If you select **Retail Mode**, a message asks you to confirm your selection. Select **Yes** or **No**. **Retail mode** is not an energy-saving mode. The *Choose Your TV Source* screen opens.
- 5 Press **▲** or **▼** to highlight **Antenna**, **Cable**, or **Satellite Box**, then press **ENTER**.
  - A. If you select **Antenna**, your TV scans for available channels. The scan may take several minutes.
  - B. If you select **Cable**, a message asks if you have a cable box.
    - Select **No** if no cable box is connected. Your TV scans for available channels. The scan may take several minutes.
    - Select **Yes** if a cable box is connected. A message asks how you connected the cable box to your TV:
      - Select **AV, Component, or HDMI** if you connected a cable box to your TV using one of these cables. Read the message, then press **ENTER** to close the wizard.
      - Select **Coaxial** if you connected a cable box to your TV using a coaxial cable. Read the message, then press **ENTER** to start the channel scan (VHF channels only).
  - C. If you select **Satellite Box**, a message asks how you connected the satellite box to your TV:
    - Select **AV, Component, or HDMI** if you connected a satellite box to your TV using one of these cables. Read the message, then press **ENTER** to close the wizard.
    - Select **Coaxial** if you connected a satellite box to your TV using a coaxial cable. Read the message, then press **ENTER** to start the channel scan (VHF channels only).

### Connecting a home theater system with multiple devices



### Connecting power

Plug the AC power cord into a power outlet.



### One-year limited warranty

See your online *User Guide* or visit [www.insigniaproducts.com](http://www.insigniaproducts.com) for details.

### Need additional help?

See your online *User Guide!* This comprehensive guide includes everything from basic how-to steps to more advanced features. Check out our **online community forum** at [www.insigniaproducts.com](http://www.insigniaproducts.com) for helpful information from other Insignia TV owners.

### We're here for you

[www.insigniaproducts.com](http://www.insigniaproducts.com)  
For customer service, call:  
**877-467-4289 (U.S./Canada markets)**

Distributed by Best Buy Purchasing, LLC  
7601 Penn Avenue South, Richfield, MN USA 55423-3645

© 2012 BBY Solutions, Inc.  
All rights reserved. INSIGNIA is a trademark of BBY Solutions, Inc. Registered in some countries. All other products and brand names are trademarks of their respective owners.

### WE ARE GOING GREEN!

A copy of your *User Guide* is not provided in the box but is available online. Go to [www.insigniaproducts.com](http://www.insigniaproducts.com), click **Support & Service**, enter your model number in the *Product Search* field, then click **Search**.



## Free Manuals Download Website

<http://myh66.com>

<http://usermanuals.us>

<http://www.somanuals.com>

<http://www.4manuals.cc>

<http://www.manual-lib.com>

<http://www.404manual.com>

<http://www.luxmanual.com>

<http://aubethermostatmanual.com>

Golf course search by state

<http://golfingnear.com>

Email search by domain

<http://emailbydomain.com>

Auto manuals search

<http://auto.somanuals.com>

TV manuals search

<http://tv.somanuals.com>