



**OPERATOR'S MANUAL
MANUEL de L'UTILISATEUR
MANUAL del OPERADOR**



**Catalog No.
No de Cat.
Catálogo No.**

8940-20

**HEAVY-DUTY COMMERCIAL VACUUM CLEANER
EXTRA ROBUSTE ASPIRATEUR COMMERCIAL
HEAVY-DUTY ASPIRADORA COMMERCIAL**

TO REDUCE THE RISK OF INJURY, USER MUST READ AND UNDERSTAND OPERATOR'S MANUAL.

AFIN DE RÉDUIRE LE RISQUE DE BLESSURES, L'UTILISATEUR DOIT LIRE ET BIEN COMPRENDRE LE MANUEL DE L'UTILISATEUR.

PARA REDUCIR EL RIESGO DE LESIONES, EL USUARIO DEBE LEER Y ENTENDER EL MANUAL DEL OPERADOR.

GENERAL SAFETY RULES



WARNING!

READ AND UNDERSTAND ALL INSTRUCTIONS






Failure to follow all instructions listed below, may result in electric shock, fire and/or serious personal injury.

SAVE THESE INSTRUCTIONS.

To reduce the risk of fire, electric shock or injury:

1. **Do not leave appliance when plugged in.** Unplug from outlet when not in use and before servicing.
2. **Do not expose vacuum cleaner to rain.** Store indoors.
3. **Do not allow to be used as a toy.** Close attention is necessary when used by or near children.
4. **Use only as described in this manual.** Use only manufacturer's recommended attachments.
5. **Do not use with damaged cord or plug.** If appliance is not working as it should, has been dropped, damaged, left outdoors, or dropped into water, return it to a service center.
6. **Do Not: pull or carry by cord, use cord as a handle, close a door on cord, or pull cord around sharp edges or corners.** Do not run appliance over cord. Keep cord away from heated surfaces.
7. **Do not unplug by pulling on cord.** To unplug, grasp the plug not the cord.
8. **Do not handle plug or appliance with wet hands.**
9. **Do not put any object into openings.** Do not use with any openings blocked; keep free of dust, lint, hair, and anything else that may reduce air flow.
10. **Keep hair, loose clothing, fingers, and all parts of body away from openings and moving parts.**
11. **Turn off all controls before unplugging.**
12. **Use extra care when cleaning on stairs.**
13. **Use special care when emptying heavily loaded tanks.**
14. **Do not leave the cord lying on the floor once you have finished the cleaning job.** It can become a tripping hazard.
15. **Do not pick up anything that is burning or smoking such as cigarettes, matches, or hot ashes.**
16. **Do not use to pick up flammable or combustible liquids such as gasoline** or use in areas where they may be present.
17. **Do not use in the presence of explosive liquids or vapors.**
18. **Vacuum cleaners have motors and other parts that can produce sparks during normal use.** Do not use within 30 feet of areas where explosive gases may be present (such as gasoline pumps and places where liquids like paint thinners, cleaners, solvents, etc. are stored).
19. **Do not use where oxygen or anesthetics are used.**
20. **To avoid spontaneous combustion,** empty tank after each use.
21. **Do not use your vacuum cleaner as a sprayer of flammable liquids** such as oil based paints, lacquers, household cleaners, etc.
22. **Connect to a properly grounded outlet only.** See grounding instructions.
23. **Unplug power cord whenever motor head is removed from tank.**
24. **Do not use without dust bag and filter in place.**
25. **Do not pick up wood or coal ash, soot, cement, plaster or drywall dust without full cloth filter or collection bag in place.** These are very fine particles that may pass through the foam and disc filters and affect the performance of the motor or be exhausted back into the air. Full cloth filters and additional collection filter bags are available.
26. **To reduce the risk of health hazards from vapors or dust,** do not vacuum toxic, carcinogenic or other hazardous materials such as asbestos, arsenic, barium, beryllium, lead, pesticides or other health endangering materials.
27. **Always wear safety goggles when operating vacuum.**
28. **STAY ALERT.** Watch what you are doing and use common sense. Do not use vacuum cleaner when you are tired, distracted or under the influence of drugs, alcohol or medication causing diminished control.
29. **Wear electrically insulated footwear,** such as rubber boots, when vacuuming wet material.
30. **WARNING!** Some dust created by power sanding, sawing, grinding, drilling, and other construction activities contains chemicals known to cause cancer, birth defects or other reproductive harm. Some examples of these chemicals are:
 - lead from lead-based paint
 - crystalline silica from bricks and cement and other masonry products, and
 - arsenic and chromium from chemically-treated lumber.Your risk from these exposures varies, depending on how often you do this type of work. To reduce your exposure to these chemicals: work in a well ventilated area, and work with approved safety equipment, such as those dust masks that are specifically designed to filter out microscopic particles.

Symbology

	Double Insulated
	Canadian Standards Association
	Underwriters Laboratories, Inc.
	Volts Alternating Current
	Amps

Specifications

Catalog No.	Volts AC	Amps	Tank Capacity (gallons)	Air Flow (cubic feet per minute)	Sealed Suction in Water	For Materials
8940-20	120	11.5	8	140	60"	Wet or Dry

FUNCTIONAL DESCRIPTION

1. Handle
2. Exhaust port
3. Tank latch
4. Intake port
5. Tank
6. Shut-off assembly



GROUNDING



WARNING!

Improperly connecting the grounding wire can result in the risk of electric shock. Check with a qualified electrician if you are in doubt as to whether the outlet is properly grounded. Do not modify the plug provided with the tool. Never remove the grounding prong from the plug. Do not use the tool if the cord or plug is damaged. If damaged, have it repaired by a **MILWAUKEE** service facility before use. If the plug will not fit the outlet, have a proper outlet installed by a qualified electrician.

This vacuum cleaner must be grounded. If it should malfunction or break down, grounding provides a path of least resistance for electric current to reduce the risk of electric shock. This vacuum cleaner is equipped with a cord having an equipment grounding conductor and grounding plug. The plug must be inserted into an appropriate outlet that is properly installed and grounded in accordance with all local codes and ordinances.

This vacuum cleaner is for use on a nominal 120-volt circuit, and has a grounded plug that looks like the plug illustrated in Figure A. A temporary adaptor that looks like the adaptor illustrated in Figure B may be used to connect this plug to a 2-pole receptacle as shown in Figure B if a properly grounded outlet is not available. The temporary adaptor should be used only until a properly grounded outlet (Figure A) can be installed by a qualified electrician. The green colored rigid ear, lug, or the like extending from the adaptor must be connected to a permanent ground such as a properly grounded outlet box cover. Whenever the adaptor is used, it must be held in place by a metal screw.

The Canadian Electrical Code prohibits the use of temporary adapters.

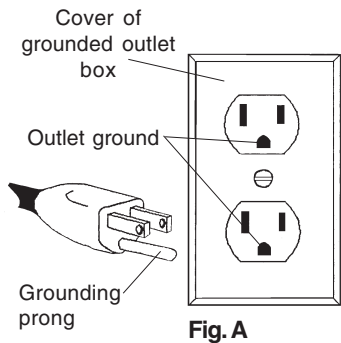


Fig. A

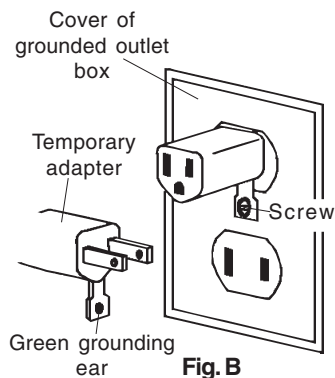


Fig. B

EXTENSION CORDS

Grounded tools require a three wire extension cord. Double insulated tools can use either a two or three wire extension cord. As the distance from the supply outlet increases, you must use a heavier gauge extension cord. Using extension cords with inadequately sized wire causes a serious drop in voltage, resulting in loss of power and possible tool damage. Refer to the table shown to determine the required minimum wire size.

The smaller the gauge number of the wire, the greater the capacity of the cord. For example, a 14 gauge cord can carry a higher current than a 16 gauge cord. When using more than one extension cord to make up the total length, be sure each cord contains at least the minimum wire size required. If you are using one extension cord for more than one tool, add the nameplate amperes and use the sum to determine the required minimum wire size.

Guidelines for Using Extension Cords

- If you are using an extension cord outdoors, be sure it is marked with the suffix "W-A" ("W" in Canada) to indicate that it is acceptable for outdoor use.
- Be sure your extension cord is properly wired and in good electrical condition. Always replace a damaged extension cord or have it repaired by a qualified person before using it.
- Protect your extension cords from sharp objects, excessive heat and damp or wet areas.

Recommended Minimum Wire Gauge for Extension Cords*

Nameplate Amperes	Extension Cord Length					
	25'	50'	75'	100'	150'	200'
0 - 5	16	16	16	14	12	12
5.1 - 8	16	16	14	12	10	--
8.1 - 12	14	14	12	10	--	--
12.1 - 15	12	12	10	10	--	--
15.1 - 20	10	10	10	--	--	--

* Based on limiting the line voltage drop to five volts at 150% of the rated amperes.

READ AND SAVE ALL INSTRUCTIONS FOR FUTURE USE.

TOOL ASSEMBLY



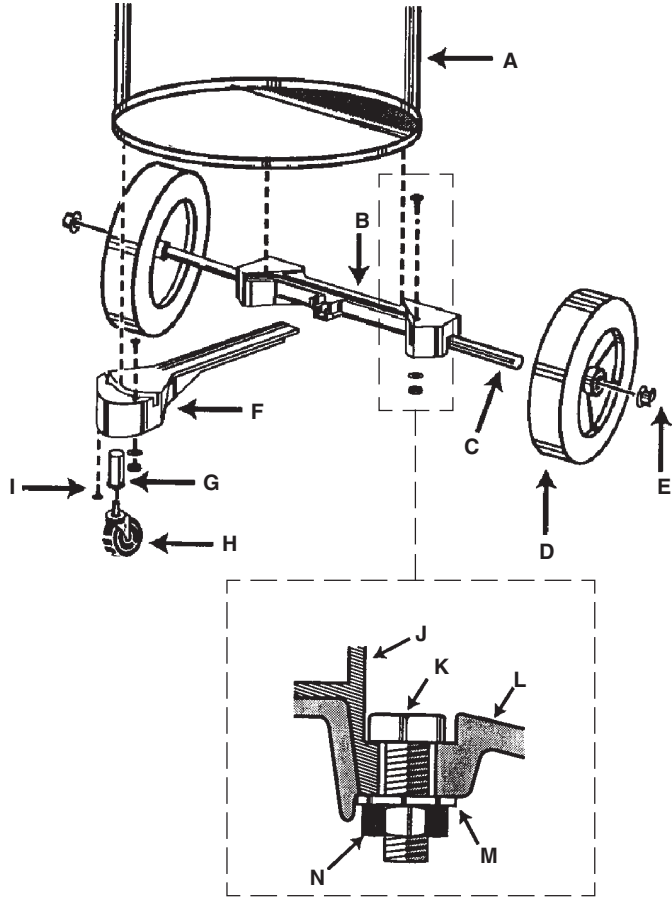
WARNING!

To reduce the risk of injury, always unplug vacuum cleaner before attaching or removing accessories or making adjustments. Use only specifically recommended accessories. Others may be hazardous.

Assembling Dolly (Fig. 1)

Assemble as shown in the diagram. You will need a hammer and a Phillips screwdriver.

Fig. 1

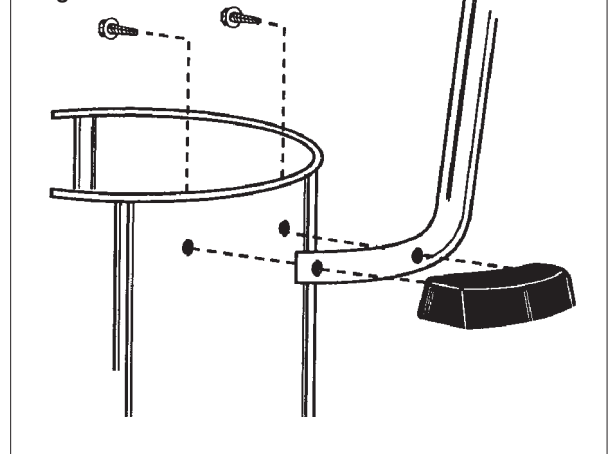


1. Place wheels on rear frame (B) by tapping in the axle (C), fitting the wheel (D) on the axle and tapping a cap nut (E) on with a hammer.
2. Insert caster socket (G) into front frame (F) and secure it with the phillips screw (I).
3. Align front frame (F) and rear frame (B) so that they fit together and fit lip of tank (J) into the grooves in front and rear frames.
4. Secure frame (B and F) to the tank by placing the hex bolts (K) through the holes in dolly and securing them with nut (N) and washer (M) as shown.
5. Insert caster (H) into caster socket (G) and push down until caster snaps into place.

Installing Handle (Fig. 2)

You will need either a flat blade screwdriver or a socket driver and a wrench or a pair of pliers.

Fig. 2



1. Place dolly handle between tank and side handle on either side of the tank.
2. Fasten tightly with slotted hex head screws.

OPERATION



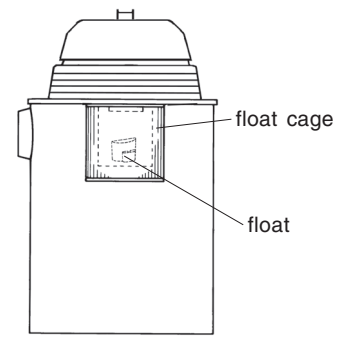
WARNING!

If the float is clean and moves freely and the suction does not shut off when tank is filled (you will be able to see water in the exhaust port), send motorhead to the nearest **MILWAUKEE** service facility for repair.

Vacuuming Wet Materials (Fig. 3)

When vacuuming wet materials, either the filter cartridge or the foam sleeve is required. Remove all dry pick-up filters. A float valve shuts off suction when the tank is full (Fig. 3). If you are vacuuming a large amount of liquid, the filter cartridge can become saturated and a mist can appear from the exhaust port. If this happens, dry the filter by running the vacuum (without picking up anything) for 10 minutes.

Fig. 3



Starting and Stopping Vacuum Cleaner

1. To turn vacuum cleaner on, turn the ON/OFF switch to the ON position.
2. To turn vacuum cleaner off, turn the ON/OFF switch to the OFF position.

NOTE: Switch will automatically return to the neutral position.

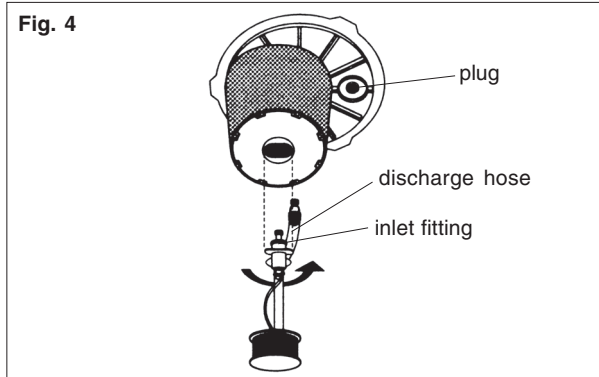


WARNING!

To reduce the risk of electric shock, do not direct discharge stream at vacuum cleaner.

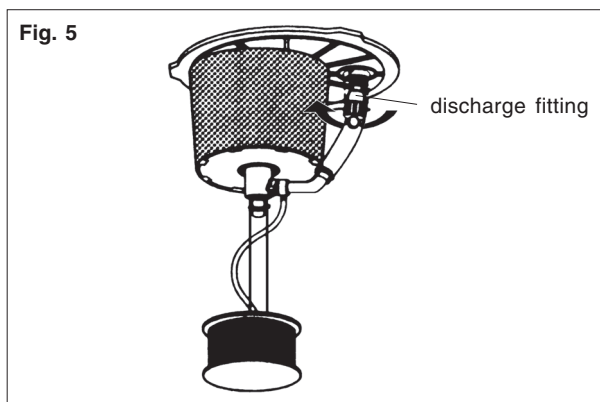
Vacuuming Wet Materials Using Pump (Fig. 4 - 8)

1. Always unplug vacuum cleaner before removing the tank cover.
2. Remove the tank cover and dry pick-up filters. Tank should be cleaned of any dirt or debris.
3. Make sure the foam sleeve is properly installed for wet vacuuming (see "When Vacuuming Wet Materials").
4. Insert the pump pick-up assembly's inlet fitting into the bottom of the motor housing on the tank cover. Rotate until the discharge hose lines up with the plug on the bottom of the tank cover (Fig. 4).

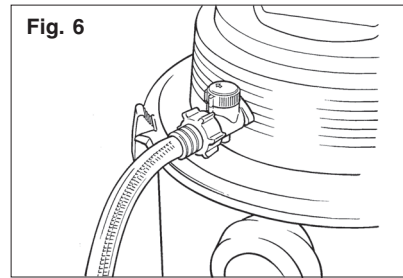


5. Remove plug from discharge hole. Insert the discharge fitting and rotate clockwise to lock into place (Fig. 5).

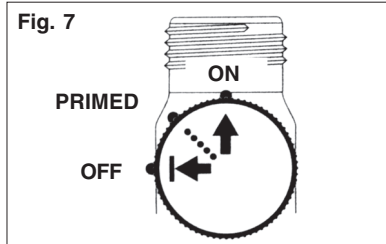
NOTE: Do not cut the security loop which fastens the plug to the lid cage. The plug must be used for vacuuming dry materials.



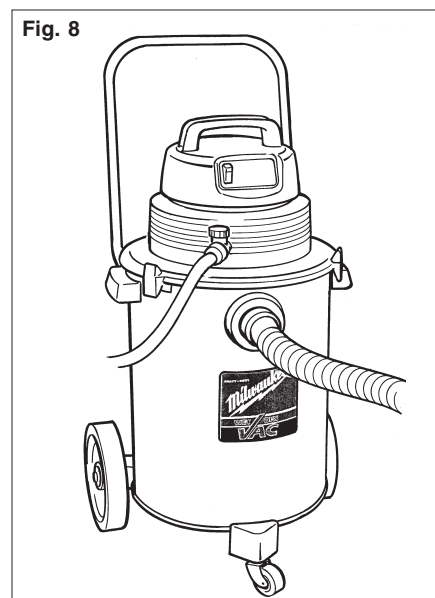
6. Replace tank cover and secure with lid latches to the tank.
7. Connect a standard garden hose (not supplied) to the shut-off valve (Fig. 6).



8. Before starting the pumping operation, check to see that the shut-off valve is in the OFF position (Fig. 7).



9. Attach the 1-1/4" vacuum hose to the tank inlet (Fig. 8).



10. Plug in vacuum cleaner. Turn ON/OFF switch to ON position.

NOTE: Switch will automatically return to the neutral position.

11. Start wet pick-up.

NOTE: To start the pumping feature, you will need approximately 4" of water in the bottom of the tank. At that time you can start the pump or continue with the standard wet pick-up until the tank has reached capacity. The vacuum cleaner will automatically shut off when full.

Removing Liquid from the Vacuum Cleaner Tank Using Pump

1. To empty a full tank by pumping, remove the vacuum hose from the liquid. The ON/OFF switch must be manually held in the ON position with the shut-off valve in the priming position.

NOTE: The vacuum hose must be attached to the vacuum cleaner in order to prime.

NOTE: If the vacuum cleaner fails to prime, restrict airflow to the vacuum by capping the end of hose.

2. Once the liquid begins to flow through the garden hose, the shut-off valve should be turned to the full ON position to achieve the maximum flow. You will have to manually hold the ON/OFF switch in the ON position for approximately 10-15 seconds. This will allow the water level to reduce significantly. Pumping will continue automati-

cally. The vacuum cleaner will continue to discharge liquid until there is about 4" left in the tank.

NOTE: The vacuum cleaner is capable of wet vacuuming while pumping. If the vacuum cleaner should shut off, the pick-up volume may be greater than the discharge volume. Repeat steps 1 and 2.

3. After wet vacuuming and pumping has been completed, the remaining liquid should be emptied from the tank and the pump pick-up assembly should be removed and cleaned.

NOTE: Keep shut-off valve in the OFF position when not pumping.

Removing Liquid from the Vacuum Cleaner Tank Without Pump

1. Unplug vacuum cleaner.
2. Remove motor head and set aside.
3. Block wheels.
4. Carefully dump contents into a drain. Do not dump through intake tube.
5. Rinse and dry tank.

NOTE: Do not store vacuum cleaner with liquid in tank. Run the vacuum cleaner for about 10 minutes without picking up anything to dry the inside of the tank and the filter cartridge.

Vacuumping Dry Materials

When vacuumping dry materials, either the filter cartridge or the foam sleeve AND the cloth filter are required. The reusable dry disc filter should always be in position over the foam sleeve for dry pick up. There are other filters that can be used with the required filters to provide additional filtration when vacuumping dry material. Follow the instructions included with these filters. Empty tank and clean filter frequently. Be sure filters are dry before using the vacuum cleaner to pick up dry material. Dry material will clog wet filters and make them difficult to clean.

Starting and Stopping Vacuum Cleaner

1. To turn vacuum cleaner on, turn the ON/OFF switch to the ON position.
2. To turn vacuum cleaner off, turn the ON/OFF switch to the OFF position.

Filter Cleaning and Changing (Fig. 9)

To install filter:

1. Slide cartridge filter down over filter cage (Fig. 9A).
2. Insert filter retainer into top of cartridge filter (Fig. 9B).
3. Hold base of lid cage with one hand and turn retainer clockwise to tighten (Fig. 9C).
4. To remove filter for cleaning, hold base of lid cage with one hand and turn retainer counterclockwise to loosen (Fig. 9D).

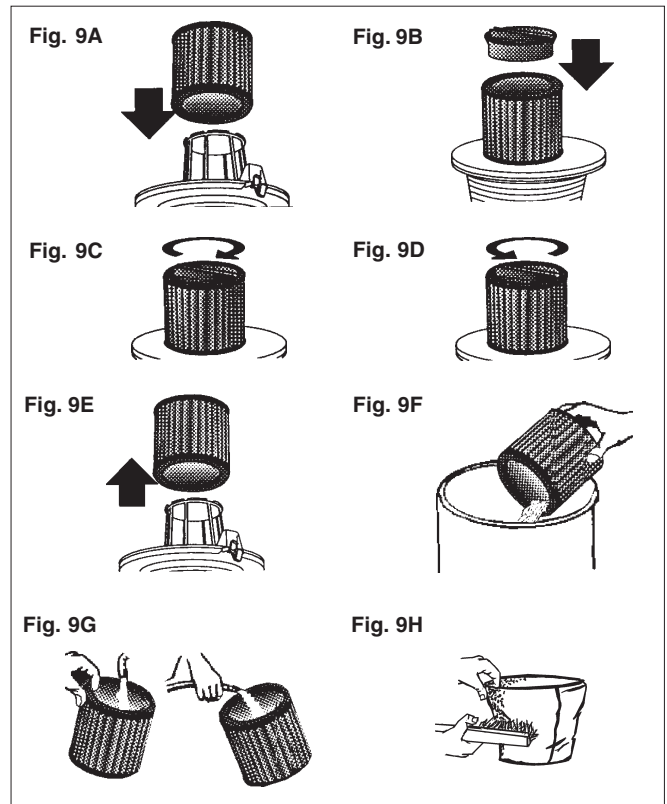
5. Slide filter off filter cage (Fig. 9E).

6. Clean dry filter by tapping filter on side of waste can (Fig. 9F).

Clean wet filter by rinsing from the inside (Fig. 9G).

Clean cloth filters by shaking off loose material and brushing the filter with a soft bristle brush (Fig. 9H).

NOTE: When wet (to prevent mold and/or mildew build-up), the cartridge filter should be removed and allowed to air dry for a 24-hour period before being re-installed back into the filter cage.

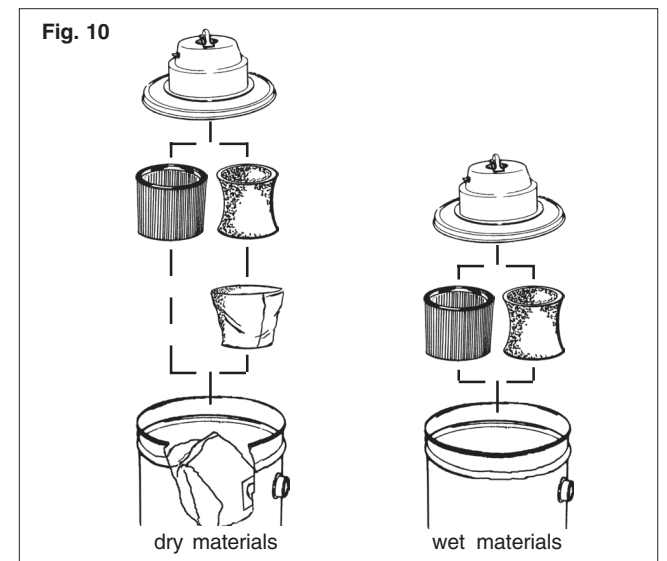


Installing Filters (Fig. 10)

1. Unplug vacuum cleaner.
2. Remove motor head and set aside.
3. Attach cartridge filter or foam sleeve to motor head (Fig. 10).
 - If you plan to vacuum dry material into a filter bag, expand the paper filter bag and fit cardboard collar onto the intake tube as far as possible.
 - If you plan to vacuum dry material and you are using the foam sleeve, you must also use the cloth filter.

CAUTION: Use care when handling motor head. Dropping motor head may cause permanent damage.

4. Replace motor head and snap down tank latches.



ACCESSORIES



WARNING!

To reduce the risk of injury, always unplug the tool before attaching or removing accessories. Use only specifically recommended accessories. Others may be hazardous.

For a complete listing of accessories refer to your *MILWAUKEE* Electric Tool catalog or go on-line to www.mil-electric-tool.com. To obtain a catalog, contact your local distributor or a service center listed on the back cover of this operator's manual.

Wet/Dry Cartridge Filter

Catalog No. 49-90-1830

Foam Sleeve

Catalog No. 49-90-0770

High Efficiency Filter Bags (package of 5)

Catalog No. 49-90-0445

10' x 1-1/4" Plastic Hose

Catalog No. 49-90-0110

1-1/4" Diameter Extension Wand

Catalog No. 49-90-2100

Wand connects to 1-1/4" ID hose.

12" Squeegee Insert

Catalog No. 49-90-2120

12" Floor Nozzle

Catalog No. 49-90-2110

12" Brush Insert

Catalog No. 49-90-2130

MAINTENANCE



WARNING!

To reduce the risk of injury, always unplug your tool before performing any maintenance. Never disassemble the tool or try to do any rewiring on the tool's electrical system. Contact a *MILWAUKEE* service facility for ALL repairs.

Maintaining Tools

Keep your tool in good repair by adopting a regular maintenance program. Before use, examine the general condition of your tool. Inspect guards, switches, tool cord set and extension cord for damage. Check for loose screws, misalignment, binding of moving parts, improper mounting, broken parts and any other condition that may affect its safe operation. If abnormal noise or vibration occurs, turn the tool off immediately and have the problem corrected before further use. Do not use a damaged tool. Tag damaged tools "DO NOT USE" until repaired (see "Repairs").

Under normal conditions, relubrication is not necessary until the motor brushes need to be replaced. After six months to one year, depending on use, return your tool to the nearest *MILWAUKEE* service facility for the following:

- Lubrication
- Brush inspection and replacement
- Mechanical inspection and cleaning (gears, spindles, bearings, housing, etc.)

- Electrical inspection (switch, cord, armature, etc.)
- Testing to assure proper mechanical and electrical operation



WARNING!

To reduce the risk of injury, electric shock and damage to the tool, never immerse your tool in liquid or allow a liquid to flow inside the tool.

Cleaning

Clean dust and debris from vents. Keep the tool handles clean, dry and free of oil or grease. Use only mild soap and a damp cloth to clean your tool since certain cleaning agents and solvents are harmful to plastics and other insulated parts. Some of these include: gasoline, turpentine, lacquer thinner, paint thinner, chlorinated cleaning solvents, ammonia and household detergents containing ammonia. Never use flammable or combustible solvents around tools.

Repairs

If your tool is damaged, return the entire tool to the nearest service center listed on the back cover of this operator's manual.

TWO YEAR TOOL LIMITED WARRANTY

Every *MILWAUKEE* tool is tested before leaving the factory and is warranted to be free from defects in material and workmanship. *MILWAUKEE* will repair or replace (at *MILWAUKEE*'s discretion), without charge, any tool (including battery chargers) which examination proves to be defective in material or workmanship from two (2) years after the date of purchase. Return the tool and a copy of the purchase receipt or other proof of purchase to a *MILWAUKEE* Factory Service/Sales Support Branch location or *MILWAUKEE* Authorized Service Station, freight prepaid and insured. This warranty does not cover damage from repairs made or attempted by other than *MILWAUKEE* authorized personnel, abuse, normal wear and tear, lack of maintenance, or accidents.

Battery Packs, Flashlights, and Radios are warranted for one (1) year from the date of purchase.

THE REPAIR AND REPLACEMENT REMEDIES DESCRIBED HEREIN ARE EXCLUSIVE. IN NO EVENT SHALL *MILWAUKEE* BE LIABLE FOR ANY INCIDENTAL, SPECIAL, OR CONSEQUENTIAL DAMAGES, INCLUDING LOSS OF PROFITS.

THIS WARRANTY IS EXCLUSIVE AND IN LIEU OF ALL OTHER WARRANTIES, OR CONDITIONS, WRITTEN OR ORAL, EXPRESSED OR IMPLIED FOR MERCHANTABILITY OR FITNESS FOR PARTICULAR USE OR PURPOSE.

This warranty gives you specific legal rights. You may also have other rights that vary from state to state and province to province. In those states that do not allow the exclusion of implied warranties or limitation of incidental or consequential damages, the above limitations or exclusions may not apply to you. This warranty applies to the United States, Canada, and Mexico only.



AVERTISSEMENT!

VOUS DEVEZ LIRE ET COMPRENDRE TOUTES LES INSTRUCTIONS






Le non-respect, même partiel, des instructions ci-après entraîne un risque de choc électrique, d'incendie et/ou de blessures graves.

CONSERVEZ CES INSTRUCTIONS.

Pour réduire les risques d'incendie, de choc électrique ou de blessure:

1. **Ne laissez pas l'appareil branché sans surveillance.** Débranchez-le pour en faire le service ou s'il ne sert pas.
2. **N'exposez pas l'aspirateur à la pluie.** Rangez-le à l'intérieur.
3. **Ne laissez pas l'aspirateur servir de jouet.** Soyez prudent si vous laissez des enfants s'en servir ou si vous travaillez auprès d'enfants.
4. **Utilisez l'aspirateur selon les instructions contenues dans ce manuel.** N'employez que des accessoires approuvés par le fabricant.
5. **N'employez pas l'aspirateur si le cordon ou la fiche sont avariés.** S'il ne fonctionne pas comme il devrait ou s'il a subi un choc ou des dommages, s'il a été oublié dehors ou s'il a été immergé, retournez-le à un centre de service.
6. **Ne tirez pas l'aspirateur et ne le soulevez pas par son cordon. Évitez de coincer le cordon dans une porte ou de forcer le cordon contre des objets acérés ou des angles pointus.** Ne faites pas rouler l'aspirateur sur le cordon et éloignez le cordon des sources de chaleur.
7. **Ne débranchez pas l'aspirateur en tirant sur le cordon.** Pour débrancher, empoignez la fiche et tirez-la hors de la prise.
8. **Ne manipulez pas la fiche ou l'appareil si vous avez les mains mouillées.**
9. **N'obstruez pas les ouvertures de l'aspirateur** et ne vous en servez pas si des ouvertures sont obstruées. Enlevez la poussière, la mousse et les poils qui pourraient réduire le débit d'air.
10. **Gardez cheveux, vêtements lâches, doigts et autres parties du corps à l'écart des ouvertures et des pièces en mouvement.**
11. **Fermez toutes les commandes avant de débrancher l'aspirateur.**
12. **Soyez extrêmement prudent lorsque vous aspirez dans les marches d'escalier.**
13. **Faire preuve de prudence pour vider les réservoirs très pleins.**
14. **Ne laissez pas le cordon sur le plancher une fois le nettoyage terminé.**
15. **N'aspirez pas des objets enflammés ou fumants, telles les cigarettes, allumettes ou cendres chaudes.**
16. **N'utilisez pas l'aspirateur pour ramasser des liquides inflammables ou combustibles tels que la gazoline** et ne vous servez pas de l'aspirateur dans des endroits où de tels liquides sont gardés.
17. **N'employez pas l'aspirateur en présence de liquides ou de vapeurs explosifs.**
18. **Le moteur et les autres pièces des aspirateurs électriques peuvent produire des étincelles lorsqu'ils sont en marche.** N'utilisez pas un aspirateur en deça de 30 pieds d'un endroit où des gaz explosifs peuvent être dégagés (ex. le voisinages des pompes à gazoline, les endroits où sont gardés des diluants, nettoyeurs et solvants à peinture, etc.).
19. **Évitez les endroits où de l'oxygène ou des anesthésiques sont en usage.**
20. **Pour empêcher la combustion spontanée,** vider le réservoir après chaque usage.
21. **Ne pas utiliser l'appareil pour vaporiser des liquides inflammables,** tels que des peintures à l'huile, des laques, des produits ménagers de nettoyage, etc.
22. **Branchez l'aspirateur sur une prise correctement mise à la terre** (voir instructions de mise à la terre).
23. **Débranchez le cordon lorsque vous retirez le moteur aspirant de la cuve de l'aspirateur.**
24. **N'utilisez pas l'aspirateur sans son filtre et son sac à poussière.**
25. **Ne pas ramasser de cendres de bois ou de charbon, de suie, de ciment, de plâtre ou de poussière de cloisons sèches si le filtre en tissu ou si le sac-filtre de ramassage n'est pas en place.** Ces particules sont très fines et peuvent passer par le filtre en mousse et le filtre à disques et nuire au rendement du moteur ou bien elles peuvent être renvoyées dans l'air. Des filtres en tissu et d'autres sacs-filtres de ramassage sont disponibles. Consulter le bon de commande ci-joint.
26. **Pour minimiser les risques pour la santé que représentent les vapeurs ou la poussière** ne vous servez pas de l'aspirateur pour ramasser des déchets toxiques, cancérigènes ou d'autres matériaux à risque tels que l'amiante, l'arsenic, le baryum, le béryllium, le plomb, les pesticides et tout autre produit dangereux pour la santé.
27. **Toujours porter des lunettes de protection pendant que l'aspirateur fonctionne.**
28. **DEMEURER VIGILANT** et toujours faire attention à ce que l'on fait et faire preuve de bon sens. Ne pas utiliser l'aspirateur lorsque l'on est fatigué, distrait ou sous l'influence de drogues, d'alcool ou de médicaments qui peuvent diminuer la vigilance.
29. **Portez des chaussures isolantes,** telles des bottes de caoutchouc, pour ramasser des déchets humides.
30. **AVERTISSEMENT!** La poussière dégagée par perçage, sclage, perçage et autres travaux de construction contient des substances chimiques reconnues comme pouvant causer le cancer, des malformations congénitales ou d'autres troubles de reproduction. Voici quelques exemples de telles substances :
 - Le plomb contenu dans la peinture au plomb.
 - Le silice cristallin contenu dans la brique, le béton et divers produits de maçonnerie.
 - L'arsenic et le chrome servant au traitement chimique du bois.Le risque associés à l'exposition à ces substances varient, dépendant de la fréquence des travaux. Afin de minimiser l'exposition à ces substances chimiques, assurez-vous de travailler dans un endroit bien aéré et d'utiliser de l'équipement de sécurité tel un masque antipoussière spécifiquement conçu pour la filtration de particules microscopiques.

Pictographie

	Double Isolation
	l'Association Canadienne de Normalisation
	Underwriters Laboratories Inc.
	Tension CA
	Amprères

Spécifications

No de Catalogue	Volts CA	Amp	Capacité du réservoir (gallons)	Débit d'air (pi. cu. min.)	Aspiration étanche à l'eau	Pour déchets
8940-20	120	11.5	8gal. (30L)	140	60" (152cm)	sec et humide

DESCRIPTION FONCTIONNELLE

1. Poignée
2. Sortie d'air
3. Loquet
4. Conduit d'admission
5. Cuve
6. Dispositif de fermeture



MISE À LA TERRE



AVERTISSEMENT!

Si le fil de mise à la terre est incorrectement raccordé, il peut en résulter des risques de choc électrique. Si vous n'êtes pas certain que la prise dont vous vous servez est correctement mise à la terre, faites-la vérifier par un électricien. N'altérez pas la fiche du cordon de l'outil. N'enlevez pas de la fiche, la dent qui sert à la mise à la terre. N'employez pas l'outil si le cordon ou la fiche sont en mauvais état. Si tel est le cas, faites-les réparer dans un centre-service MILWAUKEE accrédité avant de vous en servir. Si la fiche du cordon ne s'adapte pas à la prise, faites remplacer la prise par un électricien.

Cet aspirateur doit être mis à la terre. S'il fonctionne mal ou s'il tombe en panne, la mise à la terre offre un trajet de moindre résistance pour le courant électrique, réduisant ainsi le risque de chocs électriques. Cet aspirateur est équipé d'un cordon doté d'un conducteur et d'une broche de mise à la terre. La fiche doit être branchée dans une prise bien installée et mise à la terre selon tous les codes et règlements municipaux.

Cet aspirateur fonctionne sur le courant de 120 volts et sa fiche avec mise à la terre ressemble à celle illustrée au Figure A. Un adaptateur temporaire ressemblant à l'adaptateur illustré aux Figure B peut être utilisé pour brancher cette fiche dans une prise de courant à 2 trous, comme il est illustré au Figure B, si une prise de courant adéquatement mise à la terre n'est pas disponible. L'adaptateur temporaire ne doit être utilisé que jusqu'à ce qu'une prise de courant adéquatement mise à la terre (Figure A) puisse être installée par un électricien qualifié. La patte de couleur verte qui dépasse de l'adaptateur doit être branchée sur une prise de terre permanente comme le couvercle d'une prise de courant adéquatement mise à la terre. Chaque fois que l'adaptateur est utilisé, il doit être retenu en place par une vis métallique.

L'installation d'un adaptateur temporaire est prohibée par le Code Canadien de L'Electricité.

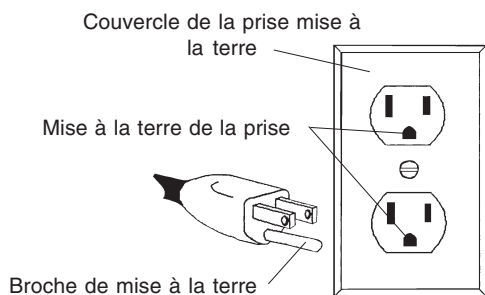


Fig. A

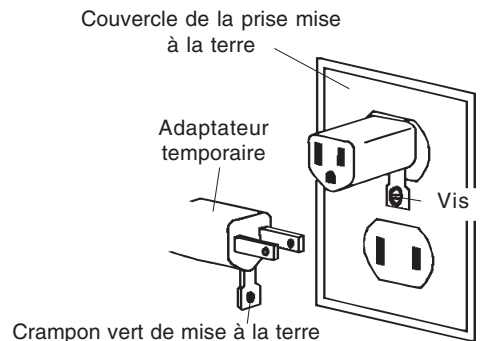


Fig. B

CORDONS DE RALLONGE

Si l'emploi d'un cordon de rallonge est nécessaire, un cordon à trois fils doit être employé pour les outils mis à la terre. Pour les outils à double isolation, on peut employer indifféremment un cordon de rallonge à deux ou trois fils. Plus la longueur du cordon entre l'outil et la prise de courant est grande, plus le calibre du cordon doit être élevé. L'utilisation d'un cordon de rallonge incorrectement calibré entraîne une chute de voltage résultant en une perte de puissance qui risque de détériorer l'outil. Reportez-vous au tableau ci-contre pour déterminer le calibre minimum du cordon.

Moins le calibre du fil est élevé, plus sa conductivité est bonne. Par exemple, un cordon de calibre 14 a une meilleure conductivité qu'un cordon de calibre 16. Lorsque vous utilisez plus d'une rallonge pour couvrir la distance, assurez-vous que chaque cordon possède le calibre minimum requis. Si vous utilisez un seul cordon pour brancher plusieurs outils, additionnez le chiffre d'intensité (ampères) inscrit sur la fiche signalétique de chaque outil pour obtenir le calibre minimal requis pour le cordon.

Directives pour l'emploi des cordons de rallonge

- Si vous utilisez une rallonge à l'extérieur, assurez-vous qu'elle est marquée des sigles "W-A" ("W" au Canada) indiquant qu'elle est adéquate pour usage extérieur.
- Assurez-vous que le cordon de rallonge est correctement câblé et en bonne condition. Remplacez tout cordon de rallonge détérioré ou faites-le remettre en état par une personne compétente avant de vous en servir.
- Tenez votre cordon de rallonge à l'écart des objets ranchants, des sources de grande chaleur et des endroits humides ou mouillés.

Calibres minimaux recommandés pour les cordons de rallonge*

Fiche signalétique Ampères	Longueur du cordon de rallonge					
	25'	50'	75'	100'	150'	200'
0 - 5	16	16	16	14	12	12
5,1 - 8	16	16	14	12	10	--
8,1 - 12	14	14	12	10	--	--
12,1 - 15	12	12	10	10	--	--
15,1 - 20	10	10	10	--	--	--

* Basé sur sur une chute de voltage limite de 5 volts à 150% de l'intensité moyenne de courant.

**LISEZ ATTENTIVEMENT CES INSTRUCTIONS
ET CONSERVEZ-LES POUR LES
CONSULTER AU BESOIN.**

MONTAGE DE L'OUTIL



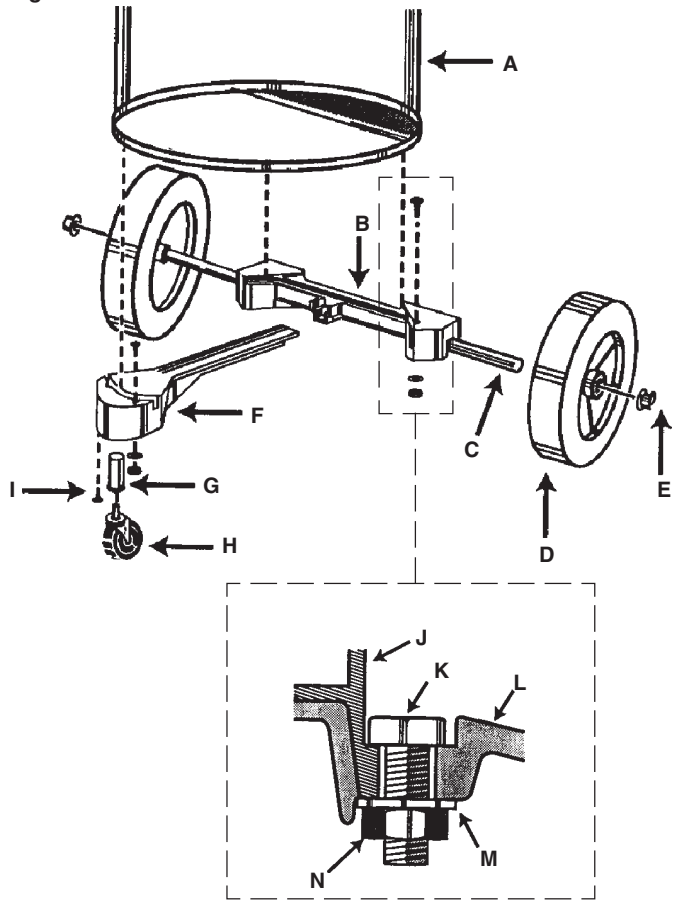
AVERTISSEMENT!

Afin de réduire le risque de blessures, débranchez toujours l'outil avant d'y faire des réglages, d'y attacher ou d'en enlever les accessoires. L'usage d'accessoires autres que ceux qui sont spécifiquement recommandés pour cet outil peut comporter des risques.

Montage du chariot (Fig. 1)

Suivez le schéma de montage. Vous aurez besoin d'un marteau et d'un tournevis Phillips.

Fig. 1

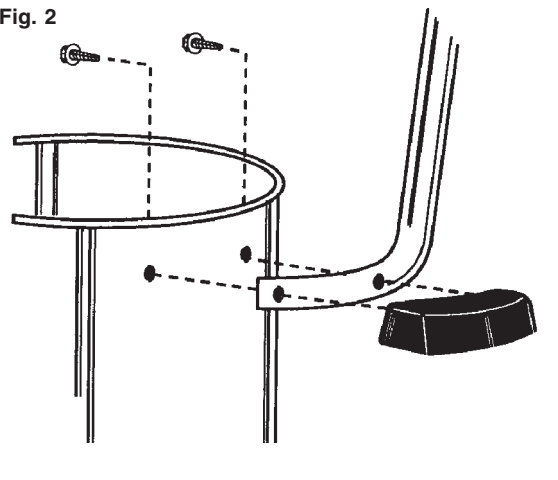


1. Posez les roues sur le chassis arrière (B). Tapez d'abord l'essieu (C) dans le chassis, puis insérez la roue (D) sur l'essieu et fixez l'écrou borgne (E) au bout de l'essieu avec un marteau.
2. Insérez la gaine de roulette (G) dans le chassis avant (F) et fixez-la à l'aide de la vis Phillips (I).
3. Alignez le chassis avant (F) sur le chassis arrière (B) pour qu'ils se joignent et placez le rebord de la cuve (J) dans les rainures des chassis avant et arrière.
4. Fixez les chassis (B et F) à la cuve. Posez les boulons hex (K) dans les trous du chariot et fixez-les avec un écrou (N) et une rondelle (M), tel qu'indiqué.
5. Insérez la roulette (H) dans la gaine (G) et pressez-la au fond jusqu'à ce qu'elle s'encliquette.

Installation de la poignée (Fig. 2)

Prenez soit un tournevis à bout plat, un tourne-douille, une clé ou une paire de tenailles.

Fig. 2



1. Insérez la poignée du chariot de chaque côté de la cuve en deçà de la poignée latérale.
2. Serrez-la solidement avec les vis à tête hex. fendue.

MANIEMENT

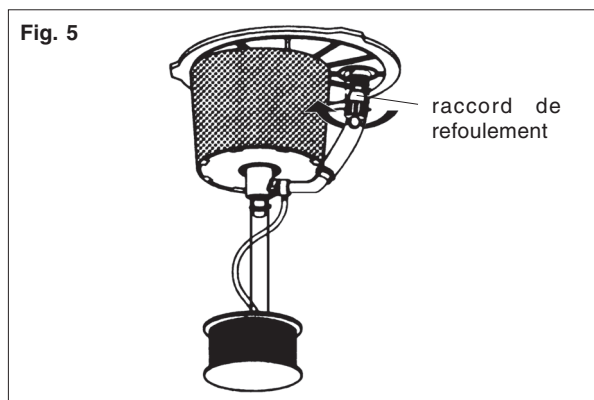
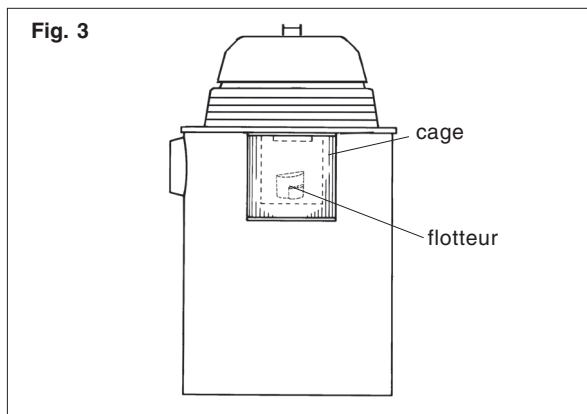


AVERTISSEMENT!

Si, malgré que le flotteur soit propre et libre, la succion n'arrête pas lorsque la cuve est pleine (vous apercevrez l'eau par la sortie d'air), faites réparer le moteur aspirant au centre-service **MILWAUKEE** le plus près.

Ramassage des déchets humides (Fig. 3)

Pour ramasser des déchets humides, la cartouche filtrante ou le manchon-filtre en mousse sont requis. Déposer les filtres d'aspiration de déchets secs. Une soupape à flotteur arrête la succion lorsque la cuve est pleine (Fig. 3). Pour que la soupape fonctionne bien, il faut que le flotteur soit propre et qu'il se déplace librement dans sa cage. Si vous ramassez une grande quantité de liquide, la cartouche filtrante pourra devenir saturée et une vapeur d'eau s'échappera de la sortie d'air. En tel cas, asséchez le filtre en laissant fonctionner l'aspirateur sans rien ramasser durant 10 minutes.



Démarrage et arrêt l'aspirateur

1. Pour mettre l'aspirateur en marche, placez l'interrupteur MARCHE-ARRÊT (ON/OFF) à la position MARCHE (ON).
2. Pour arrêter l'aspirateur, placez l'interrupteur MARCHE-ARRÊT (ON/OFF) à la position ARRÊT (OFF).

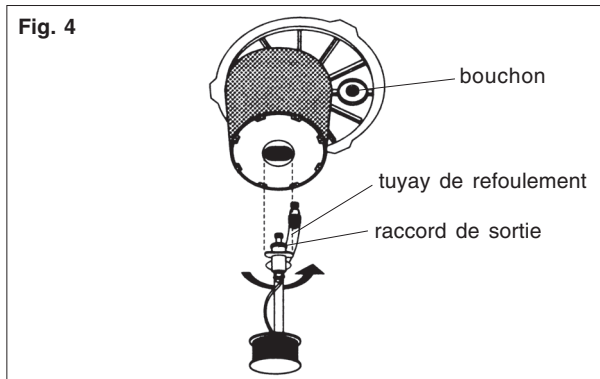


AVERTISSEMENT!

Pour réduire les risques de secousses électriques, ne pas diriger le jet de refoulement vers l'appareil.

Ramassage des déchets humides plein à l'aide du dispositif de pompage (Fig. 4 - 8)

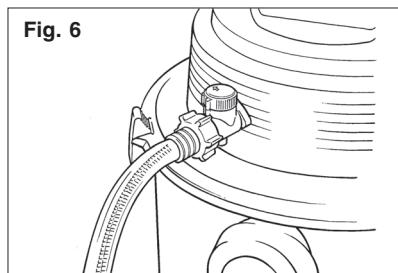
1. Toujours débrancher la fiche du cordon électrique de la prise de courant avant de déposer le couvercle du réservoir.
2. Déposer le couvercle du réservoir et les filtres d'aspiration de déchets secs. Le réservoir doit être débarrassé de toutes les saletés et de tous les débris.
3. Pour aspirer des déchets humides, s'assurer que le manchon en mousse est bien posé (se "Pour ramasser des déchets humides").
4. Introduisez le raccord de sortie de dispositif de pompage dans la partie inférieure du carter du moteur du couvercle du réservoir. Le tourner jusqu'à ce que le tuyau de refoulement s'aligne avec le bouchon qui se trouve au fond du couvercle du réservoir (Fig. 4).



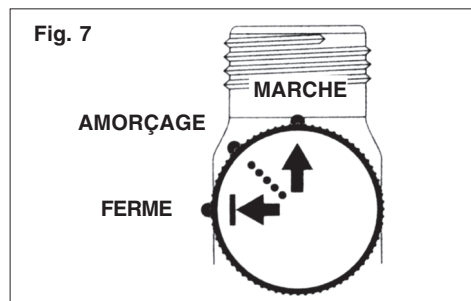
5. Enlever le bouchon du trou de refoulement. Introduire le raccord de refoulement et le tourner à droite pour le verrouiller en place (Fig. 5).

N.B. Ne coupez pas la boucle de sécurité qui le bouchon au logement du couvercle. Le bouchon sert au ramassage des déchets solides.

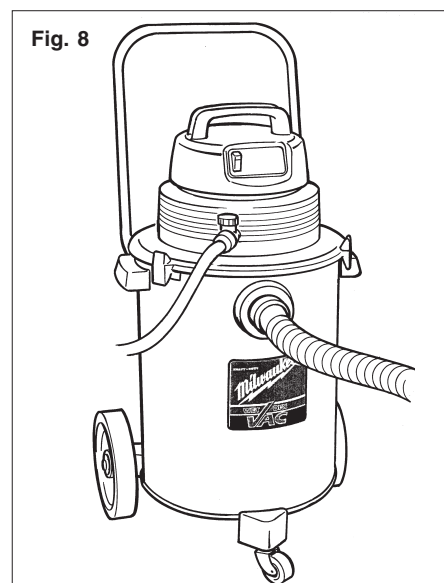
6. Reposer le couvercle et le faire tenir sur le réservoir avec les crochets.
7. Brancher un tuyau d'arrosage (pas fourni) sur le robinet (Fig. 6).



8. Avant de commencer toute opération de pompage, s'assurer que le robinet est bien fermé «sur OFF» (Fig. 7).



9. Brancher le tuyau souple de 1-1/4" (32mm) sur l'arrivée du réservoir (Fig. 8).



10. Brancher le cordon de l'aspirateur dans la prise de courant. Mettre l'interrupteur sur MARCHE (ON).

N.B. L'interrupteur revient automatiquement à la position neutre.

11. Commencer l'aspiration des déchets humides.

N.B. Pour déclencher l'opération de pompage, le réservoir doit contenir environ 4" (10cm) d'eau. À ce moment-là, on peut démarrer la pompe ou continuer d'aspirer les déchets humides jusqu'à ce que le réservoir ait atteint sa capacité. L'appareil s'arrête alors automatiquement lorsqu'il est plein.

Pour vider un réservoir plein à l'aide du dispositif de pompage

1. Pour vider un réservoir plein à l'aide du dispositif de pompage, débrancher tout d'abord le tuyau d'aspiration du liquide. L'interrupteur MARCHE-ARRÊT (ON/OFF) devra alors être manuellement tenu dans la position MARCHE (ON), le robinet étant dans la position amorçage.

N.B. Le tuyau d'aspiration doit être branché sur l'appareil pour permettre l'amorçage.

N.B. Si l'aspiration ne s'amorce pas, restez le débit d'air de l'aspirateur en obstruant l'entrée d'air du boyau.

2. Lorsque le liquide commence à couler par le tuyau d'arrosage, le robinet doit être complètement ouvert (ON) pour obtenir un débit maximum. L'interrupteur MARCHE-ARRÊT doit être maintenu manuellement dans la position MARCHE (ON) pendant environ 10 à 15 secondes pour que le niveau d'eau baisse considérablement; le pompage se poursuivra ensuite automatiquement. L'appareil continuera de pomper le liquide jusqu'à ce qu'il ne reste plus qu'environ 4" (102mm) dans le réservoir.

N.B. Pendant le pompage, il est possible d'aspirer des déchets humides avec l'appareil. Le volume d'aspiration de déchets humides est supérieur au volume de refoulement et les opérations 1 et 2 devront peut-être être répétées si l'appareil est arrêté.

3. Après avoir terminé l'aspiration des déchets humides et le pompage, vider le liquide restant dans le réservoir, puis déposer et nettoyer le dispositif de pompage.

N.B. Pendant le pompage, laisser le robinet fermé (OFF).

Pour évacuer les liquides de la cuve

1. Débranchez l'aspirateur.

2. Enlevez le moteur filtrant et l'adaptateur pour déchets humides et mettez-les de côté.

3. Calez les roulettes.

4. Versez soigneusement le contenu de la cuve dans le siphon de sol.

5. Rincez et asséchez la cuve.

N.B. Ne rangez pas l'aspirateur sans avoir vidé la cuve. Pour assécher la cuve, laissez marcher l'aspirateur durant environ 10 minutes sans ramasser de déchets.

Ramassage des déchets secs

Pour ramasser des déchets secs, la cartouche filtrante ou le manchon-filtre en mousse et le filtre en tissu sont requis. Le filtre à disques sec réutilisable doit toujours être en place sur le manchon-filtre en mousse pour le ramassage des débris secs. Il existe d'autres genres de filtres qui peuvent être ajoutés aux filtres requis pour assurer une meilleure filtration des déchets secs. Suivez les instructions qui accompagnent ces filtres. Videz la cuve et nettoyez les filtres fréquemment. Assurez-vous que les filtres soient secs avant de ramasser des déchets secs. Les déchets secs peuvent encrasser les filtres humides et les rendre difficiles à nettoyer.

Démarrage et arrêt l'aspirateur

1. Pour mettre l'aspirateur en marche, placez l'interrupteur MARCHE-ARRÊT (ON/OFF) à la position MARCHE (ON).

2. Pour arrêter l'aspirateur, placez l'interrupteur MARCHE-ARRÊT (ON/OFF) à la position ARRÊT (OFF).

Nettoyage et changement des filtres (Fig. 9)

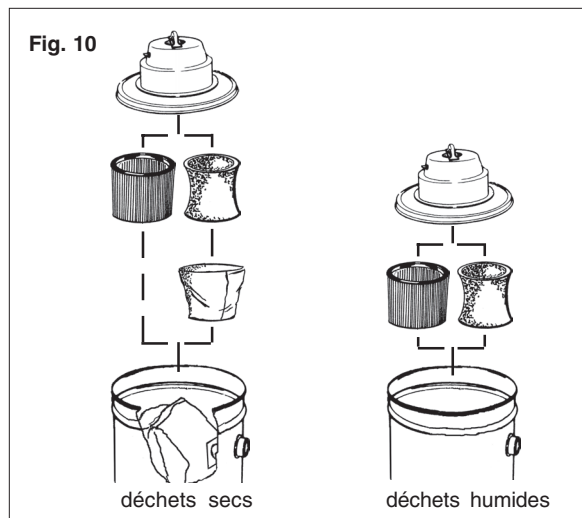
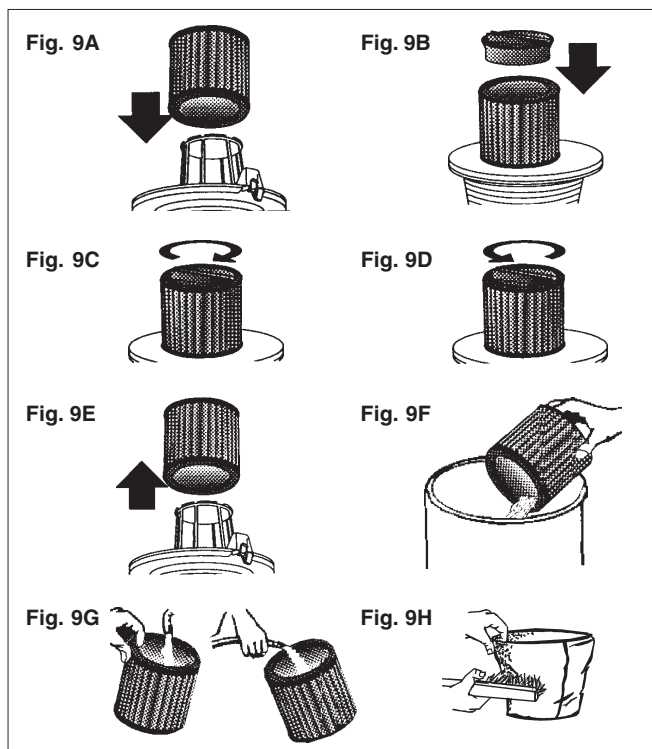
Installation des filtres:

1. Glisser le filtre-cartouche par-dessus la cage du filtre (Fig. 9A).
2. Poser la fixation du filtre en haut du filtre-cartouche (Fig. 9B).
3. L'immobiliser dans la base de la cage du couvercle avec une main et tourner la fixation à droite pour serrer (Fig. 9C).
4. Pour déposer le filtre afin de le nettoyer, l'immobiliser à nouveau dans la base de la cage du couvercle avec une main et tourner la fixation à gauche pour desserrer (Fig. 9D).
5. Sortir la filtre de la cage du filtre (Fig. 9E).
6. Nettoyer le filtre humide en la rincant par l'intérieur (Fig. 9F).

Reposez le filtre en le posant par-dessus le porte-filtre et en forçant fermement dessus pour le mettre en position (Fig. 9G).

Nettoyage le filtre en tissu en le secourant pour le débarrasser des déchets et en le brossant avec une brosse à poils souples (Fig. 9H).

N.B. Lorsqu'il est humide (et pour empêcher l'accumulation de moisissure et/ou de mildiou), le filtre-cartouche doit être déposé et il faut laisser sécher à l'air libre pendant 24-heures avant de le reposer dans sa cage.



Installation des filtres (Fig. 10)

1. Débranchez l'aspirateur.
 2. Enlevez le moteur aspirant et mettez-le de côté.
 3. Fixez la cartouche filtrante ou le manchon-filtre en mousse au moteur (Fig. 10).
 - Pour ramasser des déchets secs dans un sac-filtre, déployez le sac-filtre en papier et insérez le collet cartonné du sac sur le conduit d'admission aussi loin que possible.
 - Pour ramasser des déchets secs en employant le manchon-filtre en mousse, il vous faut aussi employer le filtre en tissu.
- ATTENTION:** Enlevez le moteur avec soin. Si vous le laissez choir, vous pourrez lui causer des dommages irréparables.
4. Remettez le moteur en place sur la cuve et abaissez les loquets.

ACCESSOIRES



AVERTISSEMENT!

Pour minimiser les risques de blessures, débranchez toujours l'outil avant d'y installer ou d'en enlever les accessoires. L'emploi d'accessoires autres que ceux qui sont expressément recommandés pour cet outil peut présenter des risques.

Pour une liste complète des accessoires, prière de se reporter au catalogue *MILWAUKEE* Electric Tool ou visiter le site internet www.milwaukeetool.com. Pour obtenir un catalogue, il suffit de contacter votre distributeur local ou l'un des centres-service énumérés sur la page de couverture de ce manuel.

Cartouche filtrante sec/humide

No de catalogue 49-90-1830

Manchon en mousse

No de catalogue 49-90-0770

Sacs-filtres haut rendement (paquet de 5)

No de catalogue 49-90-0445

Boyau de plastique de 10pi. x 1-1/4po. (3m x 32mm)

No de catalogue 49-90-0110

Rallonge tubulaire de 1-1/4po. (32mm) de diamètre

No de catalogue 49-90-2100

La tubulaire se raccorde au boyau de 1-1/4" (32mm) de diamètre intérieur.

Raclette amovible 12po. (30cm)

No de catalogue 49-90-2120

Bec à plancher 12po. (30cm)

No de catalogue 49-90-2110

Brosse amovible 12po. (30cm)

No de catalogue 49-90-2130

MAINTENANCE



AVERTISSEMENT!

Pour minimiser les risques de blessures, débranchez toujours l'outil avant d'y effectuer des travaux de maintenance. Ne faites pas vous-même le démontage de l'outil ni le rebobinage du système électrique. Consultez un centre de service *MILWAUKEE* accrédité pour toutes les réparations.

Entretien de l'outil

Gardez l'outil en bon état en adoptant un programme d'entretien ponctuel. Avant de vous en servir, examinez son état en général. Inspectez-en la garde, interrupteur, cordon et cordon de rallonge pour en déceler les défauts. Vérifiez le serrage des vis, l'alignement et le jeu des pièces mobiles, les vices de montage, bris de pièces et toute autre condition

pouvant en rendre le fonctionnement dangereux. Si un bruit ou une vibration insolite survient, arrêtez immédiatement l'outil et faites-le vérifier avant de vous en servir de nouveau. N'utilisez pas un outil défectueux. Fixez-y une étiquette marquée "HORS D'USAGE" jusqu'à ce qu'il soit réparé (voir "Réparations").

Normalement, il ne sera pas nécessaire de lubrifier l'outil avant que le temps ne soit venu de remplacer les balais. Après une période pouvant aller de 6 mois à un an, selon l'usage, retournez votre outil à un centre de service *MILWAUKEE* accrédité pour obtenir les services suivants:

- Lubrification
- Inspection et remplacement des balais
- Inspection et nettoyage de la mécanique (engrenages, pivots, coussinets, boîtier etc.)
- Inspection électrique (interrupteur, cordon, induit etc.)
- Vérification du fonctionnement électromécanique



AVERTISSEMENT!

Pour minimiser les risques de blessures, choc électrique et dommage à l'outil, n'immergez jamais l'outil et ne laissez pas de liquide s'y infiltrer.

Nettoyage

Débarrassez les événements des débris et de la poussière. Gardez les poignées de l'outil propres, à sec et exemptes d'huile ou de graisse. Le nettoyage de l'outil doit se faire avec un linge humide et un savon doux. Certains nettoyeurs tels l'essence, la térébenthine, les diluants à laque ou à peinture, les solvants chlorés, l'ammoniaque et les détergents d'usage domestique qui en contiennent pourraient détériorer le plastique et l'isolation des pièces. Ne laissez jamais de solvants inflammables ou combustibles auprès des outils.

Réparations

Si votre outil doit être réparé, retournez-le en entier au centre-service le plus près selon la liste apparaissant à la dernière page de ce manuel.

GARANTIE LIMITÉE DE L'OUTIL DE DEUX ANS

Tous les outils *MILWAUKEE* sont testés avant de quitter l'usine et sont garantis exempts de vice de matériau ou de fabrication. *MILWAUKEE* réparera ou remplacera (à la discrétion de *MILWAUKEE*), sans frais, tout outil (y compris les chargeurs de batterie) dont l'examen démontre le caractère défectueux du matériau ou de la fabrication dans les deux (2) ans suivant la date d'achat. Retourner l'outil et une copie de la facture ou de toute autre preuve d'achat à une branche Entretien usine/Assistance des ventes de l'établissement *MILWAUKEE* ou à un centre d'entretien agréé par *MILWAUKEE*, en port payé et assuré. Cette garantie ne couvre pas les dommages causés par les réparations ou les tentatives de réparation par quiconque autre que le personnel agréé par *MILWAUKEE*, les utilisations abusives, l'usure normale, les carences d'entretien ou les accidents.

Les batteries, les lampes de poche et les radios sont garanties pour un (1) an à partir de la date d'achat.

LES SOLUTIONS DE RÉPARATION ET DE REMPLACEMENT DÉCRITES PAR LES PRÉSENTES SONT EXCLUSIVES. *MILWAUKEE* NE SAURAIT ÊTRE RESPONSABLE, EN AUCUNE CIRCONSTANCE, DES DOMMAGES ACCESSOIRES, SPÉCIAUX OU INDIRECTS, Y COMPRIS LES MANQUES À GAGNER.

CETTE GARANTIE EST EXCLUSIVE ET REMPLACE TOUTES LES AUTRES GARANTIES OU CONDITIONS, ÉCRITES OU ORALES, EXPRESSES OU TACITES DE QUALITÉ MARCHANDE OU D'ADAPTATION À UNE UTILISATION OU UNE FIN PARTICULIÈRE.

Cette garantie vous donne des droits particuliers. Vous pouvez aussi bénéficier d'autres droits variant d'un état à un autre et d'une province à une autre. Dans les états qui n'autorisent pas les exclusions de garantie tacite ou la limitation des dommages accessoires ou indirects, les limitations ou exclusions ci-dessus peuvent ne pas s'appliquer. Cette garantie s'applique aux États-Unis, au Canada et au Mexique uniquement.

INSTRUCCIONES GENERALES DE SEGURIDAD



¡ADVERTENCIA!

LEA Y ENTIENDA TODAS LAS INSTRUCCIONES

Se debe seguir todas las instrucciones a continuación para evitar una descarga eléctrica, incendio y/o lesiones graves.

GUARDE ESTAS INSTRUCCIONES.

Para reducir el riesgo del fuego, de descargas eléctricas o lesiones:

- No desatienda el aparato mientras esté enchufado.** Desenchúfelo cuando no lo esté utilizando y antes de darle mantenimiento.
- No exponga las aspiradoras a la lluvia.** Guárdelas dentro del edificio.
- Se requiere vigilancia y cuidado extremos cuando se utilice cerca de los niños. **No permita que se utilice como juguete.**
- Utilícese únicamente conforme a lo descrito en este manual.** No emplee otros aditamentos más que los recomendados por el fabricante.
- No lo use si el cordón o el enchufe están averiados.** Si el aparato no está funcionando debidamente, se le ha caído, está averiado, se dejó a la intemperie o se cayó al agua, llévelo a un centro de reparaciones.
- No lo cargue ni lo jale del cordón; no use el cordón como agarradera; no cierre la puerta sobre el cordón ni lo arrastre por orillas o esquinas filosas.** No arrastre el aparato sobre el cordón. Mantenga el cordón alejado de superficies calientes.
- No desenchufe el aparato tirando del cordón.** Para desenchufarlo, tómelo del enchufe, no del cordón.
- No toque el enchufe o el aparato con manos mojados.**
- No ponga ningún objeto en las ranuras o aberturas del aparato.** No lo utilice cuando alguna de las aberturas esté bloqueada; manténgalas libre de polvo, pelusa, cabellos, o cualquier cosa que pueda disminuir el flujo de aire.
- Mantenga su cabello, ropa suelta, dedos y en general todas partes del cuerpo lejos de las aberturas y de las partes móviles del aparato.**
- Apague todos los controles antes de desconectar el aparato.**
- Sea muy cuidadoso cuando use el aparato para limpiar escaleras.**
- Tenga especial cuidado al vaciar los tanques de carga pesada.**
- No deje el cordón en el suelo después de haber terminado de utilizar su aspiradora, ya que alguien podría tropezarse o endredarse con él.**
- No use el aparato para recoger algo que esté quemándose o echando humo como cigarrillos, cerillas o cenizas calientes.**
- No lo use para recoger líquidos inflamables o explosivos como la gasolina** ni lo use en áreas donde puedan estar presentes.
- No lo use en la presencia de líquidos o vapores explosivos.**
- Los aspiradores al vacío tienen motores y otras partes que pueden causar chispas durante el uso normal.** No las use a 9m (30 pies) de áreas donde haya gases explosivos (como las bombas de gasolina y lugares donde se almacenen líquidos como diluyentes de pintura, limpiadores, solventes, etc.).
- No las use donde se utilice oxígeno o anestesia.**
- Para evitar una combustión espontánea,** vacíe el tanque después de cada uso.
- No utilice su aspiradora como rociador de líquidos inflamables** tales como pinturas de aceite, lacas, limpiadores domésticos, etc.
- Conecte a tierra su aparato.** Vea "Conexión a tierra".
- Desenchufe el cable de alimentación cada vez que la parte superior del motor sea retirada del tanque.**
- No lo use sin la bolsa ni los filtros necesarios.**
- No aspire ceniza de madera o carbón; cemento, yeso o polvo seco de la pared sin haber colocado un filtro de tela o una bolsa de recolección de papel.** Estas, son partículas muy finas que pueden penetrar los filtros de espuma y disco y afectar así el funcionamiento del motor o pueden ser lanzadas hacia el aire. Existen filtros de tela y filtros adicionales de recolección. Véase la orden adjunta.
- Para reducir los riesgos contra la salud debido a vapores o polvos,** no lo use con materiales tóxicos, cancerígenos u otros materiales peligrosos, tales como asbestos, arsénico, bario, berilio, plomo, pesticidas u otros materiales que puedan poner en peligro la salud.
- Siempre utilice lentes de protección (goggles) al operar su aspiradora.**
- PERMANEZCA ALERTA.** Observe lo que está haciendo, utilice el sentido común. No use la aspiradora cuando esté cansado, distraído o bajo la influencia de drogas, alcohol o algún medicamento que cause un control disminuido.
- Póngase calzado de aislamiento,** como botas de goma, cuando aspire material húmedo.
- ¡ADVERTENCIA!** Algunas partículas de polvo resultantes del lijado mecánico, aserrado, esmerilado, taladrado y otras actividades relacionadas a la construcción, contienen sustancias químicas que se saben ocasionan cáncer, defectos congénitos u otros daños al aparato reproductivo. A continuación se citan algunos ejemplos de tales sustancias químicas:
 - plomo proveniente de pinturas con base de plomo
 - sílice cristalino proveniente de ladrillos, cemento y otros productos de albañilería y
 - arsénico y cromo provenientes de madera químicamente tratada.

El riesgo que usted sufre debido a la exposición varía dependiendo de la frecuencia con la que usted realiza estas tareas. Para reducir la exposición a estas sustancias químicas: trabaje en un área bien ventilada, y utilice equipo de seguridad aprobado como, por ejemplo, máscaras contra el polvo que hayan sido específicamente diseñadas para filtrar partículas microscópicas.

Simbología

	Con doble aislamiento
	Canadian Standards Association
	Underwriters Laboratories, Inc.
	Voltaje de corriente continua y alterna
	Amperes

Especificaciones

Catálogo No.	Volts AC	Amps	Capacidad del tanque en galones	Flujo de aire en pies cúbicos por minuto	Aspiración sellada de agua	Para materiales
8940-20	120	11.5	30L (8gal.)	140	152cm (60")	mojados o secos

DESCRIPCIÓN FUNCIONAL

1. Mango
2. Orificio de escape
3. Pestillo del tanque
4. Puerto de entrada
5. Tanque
6. Conjunto de cierre



TIERRA



¡ADVERTENCIA!

Puede haber riesgo de descarga eléctrica si se conecta el cable de conexión a tierra incorrectamente. Consulte con un electricista certificado si tiene dudas respecto a la conexión a tierra de la caja del enchufe. No modifique el enchufe que se proporciona con la herramienta. Nunca retire la clavija de conexión a tierra del enchufe. No use la herramienta si el cable o el enchufe está dañado. Si está dañado, haga que un centro de servicio **MILWAUKEE** lo repare antes de usarlo. Si el enchufe no encaja en la caja del enchufe, haga que un electricista certificado instale una caja de enchufe adecuada.

Esta aspiradora debe estar conectada a tierra. En caso de que exista un mal funcionamiento o de una avería, la conexión a tierra ofrece una menor resistencia a la corriente eléctrica, lo que ayuda a reducir el riesgo de un choque eléctrico. Esta aspiradora está equipada con un cable que cuenta con un conductor y un enchufe para toma de tierra. El enchufe debe conectarse a una salida apropiada de energía que esté instalada adecuadamente de acuerdo con todas los códigos y reglamentos locales.

Esta aspiradora es para uso en un circuito nominal de 120 voltios, y cuenta con un enchufe para toma de tierra, que es como el enchufe que se muestra en la Figure A. Un adaptador temporal que es como el que se muestra en la Figure B, el cual puede utilizarse para conectar este enchufe a un receptáculo de 2 polos como se muestra en Figure B, en caso de que no se cuente con una salida a tierra adecuada. El adaptador temporal debe usarse solo hasta que una salida a tierra adecuada (Figure A) sea instalada por un electricista especializado. La oreja rígida de calor verde o el talón que se extiende desde el adaptador debe conectarse a tierra permanentemente, tal como la cubierta de una salida conectada a tierra adecuadamente. Cuando se utilice el adaptador, éste debe ser puesto en su lugar por un tornillo de metal.

El Código Eléctrico Canadiense prohíbe el uso de adaptadores temporales.

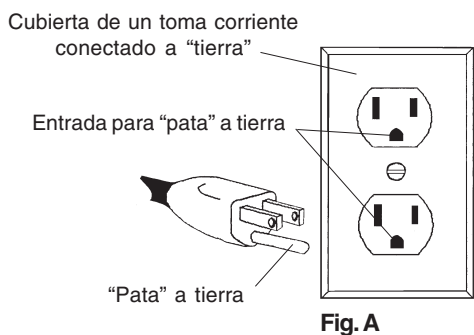


Fig. A

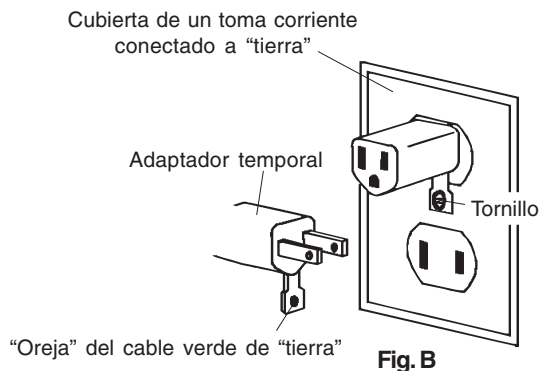


Fig. B

EXTENSIONES ELECTRICAS

Las herramientas que deben conectarse a tierra cuentan con clavijas de tres patas y requieren que las extensiones que se utilicen con ellas sean también de tres cables. Las herramientas con doble aislamiento y clavijas de dos patas pueden utilizarse indistintamente con extensiones de dos a tres cables. El calibre de la extensión depende de la distancia que exista entre la toma de la corriente y el sitio donde se utilice la herramienta. El uso de extensiones inadecuadas puede causar serias caídas en el voltaje, resultando en pérdida de potencia y posible daño a la herramienta. La tabla que aquí se ilustra sirve de guía para la adecuada selección de la extensión.

Mientras menor sea el número del calibre del cable, mayor será la capacidad del mismo. Por ejemplo, un cable calibre 14 puede transportar una corriente mayor que un cable calibre 16. Cuando use más de una extensión para lograr el largo deseado, asegúrese que cada una tenga al menos, el mínimo tamaño de cable requerido. Si está usando un cable de extensión para más de una herramienta, sume los amperes de las varias placas y use la suma para determinar el tamaño mínimo del cable de extensión.

Guías para el uso de cables de extensión

- Si está usando un cable de extensión en sitios al aire libre, asegúrese que está marcado con el sufijo "W-A" ("W" en Canadá) el cual indica que puede ser usado al aire libre.
- Asegúrese que su cable de extensión está correctamente cableado y en buenas condiciones eléctricas. Cambie siempre una extensión dañada o hágala reparar por una persona calificada antes de volver a usarla.
- Proteja su extensión eléctrica de objetos cortantes, calor excesivo o áreas mojadas.

Calibre mínimo recomendado para cables de extensión eléctrica*

Amperes (En la placa)	Largo de cable de Extensión EN(M)					
	7,6	15,2	22,8	30,4	45,7	60,9
0 - 5,0	16	16	16	14	12	12
5,1 - 8,0	16	16	14	12	10	--
8,1 - 12,0	14	14	12	10	--	--
12,1 - 15,0	12	12	10	10	--	--
15,1 - 20,0	10	10	10	--	--	--

* Basado en limitar la caída en el voltaje a 5 volts al 150% de los amperes.

LEA GUARDE TODAS LAS INSTRUCCIONES PARA FUTURAS REFERENCIAS.

ENSAMBLAJE DE LA HERRAMIENTA

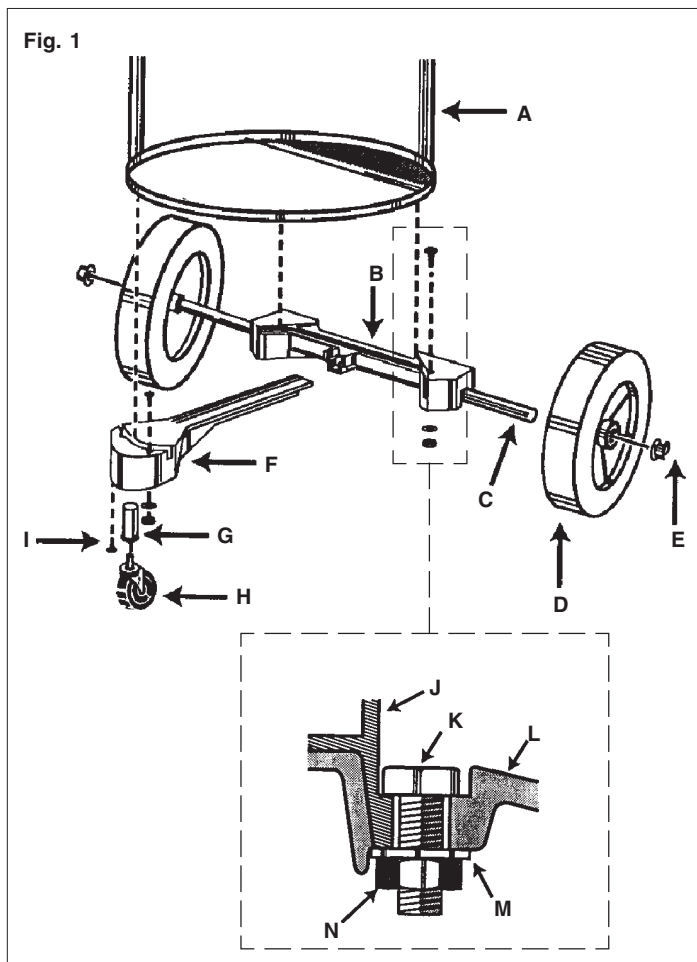


¡ADVERTENCIA!

A fin de reducir el riesgo de lesionarse, desconecte siempre la aspiradora antes de fijar o retirar accesorios, o antes de efectuar ajustes. Utilice sólo los accesorios específicamente recomendados. El uso de otros accesorios puede ser peligroso.

Ensamblaje de la carretilla (Fig. 1)

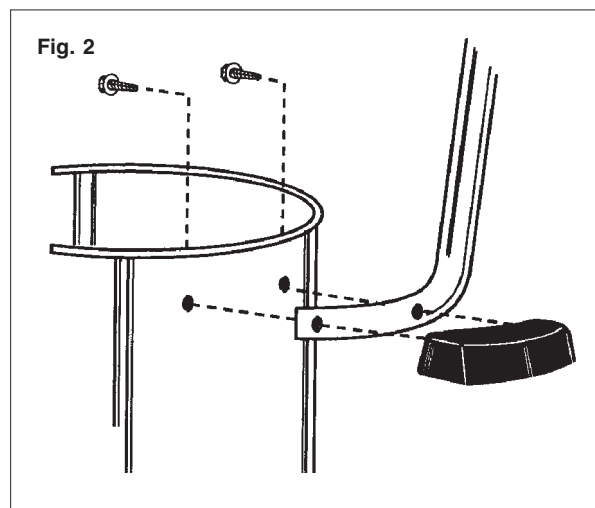
Ensamble como se muestra en el diagrama. Necesitará un martillo y un destornillador Philips.



1. Coloque las ruedas en el bastidor trasero (B) dando golpecitos en el eje (C), encajando la rueda (D) en el eje y colocando un capuchón roscado (E) con un martillo.
2. Inserte las piezas de las ruedecillas (G) en el bastidor delantero (F) y asegúrelas con el destornillador Philips (I).
3. Alinee el bastidor frontal (F) y el bastidor trasero (B) de manera que encajen y hagan encajar el borde del tanque (J) en las ranuras de los bastidores frontal y trasero.
4. Asegure los bastidores (B y F) en el tanque colocando los pernos hexagonales (K) a través de los agujeros de la carretilla y asegurándolos con tuerca (N) y arandela (M) según se muestra.
5. Inserte las ruedecillas (H) en las piezas de las ruedecillas (G) y apriete hasta que las ruedecillas encajen.

Instalación del mango (Fig. 2)

Necesitará ya sea un destornillador de punta plana, o bien, una llave de cubo y una llave inglesa, o un par de alicates.



1. Coloque el mango de la carretilla entre el tanque y el mango lateral a cada lado del tanque.
2. Apriete firmemente con tornillos de cabeza hexagonal ranurada.

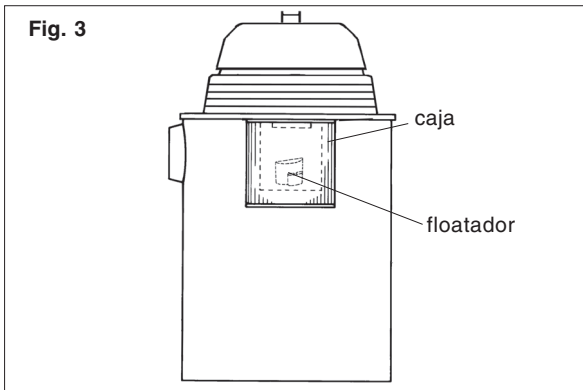


¡ADVERTENCIA!

Si el floatador está limpio y se mueve libremente y sin embargo la succión no se cierra cuando el tanque se llena (lo puede notar si ve agua en el orificio de escape), envíe la parte superior del motor a la instalación de servicios de reparación **MILWAUKEE** más cercana.

Aspirar materiales húmedos (Fig. 3)

Al aspirar materiales húmedos, se requiere ya sea el cartucho de filtros o el manguito de caucho de los filtros. Quiet los filtros para aspirar sólidos. Una válvula de floatador cierra la succión cuando el tanque está lleno (Fig. 3). Asegúrese de que el floatador está limpio y se mueve libremente el la caja del floatador para asegurar que la válvula del floatador funciona. Si está aspiradora un gran cantidad de líquido, el cartucho de filtro se puede saturar y puede salir como una neblina por el orificio de escape. Si esto ocurre, seque el filtro haciendo funcionar la aspiradora durante 5 minutos sin aspirar nada.



Cómo accionar y detener la aspiradora

1. Para encender la aspiradora, ponga el interruptor de encendido y apagado (ON/OFF) en la posición de encendido (ON).
2. Para apagar la aspiradora, ponga el interruptor de encendido y apagado (ON/OFF) en la posición de apagado (OFF).



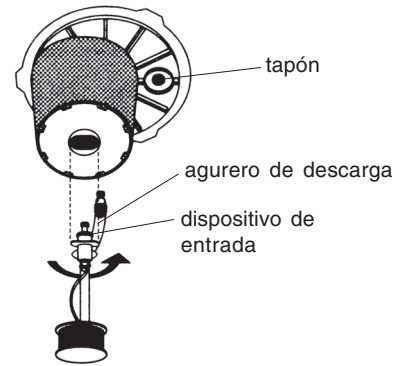
¡ADVERTENCIA!

Para reducir el riesgo de un choque electrico, no dirija la corriente de descarga a la aspiradora.

Aspirar materiales húmedos mediante el bombeo (Fig. 4 - 8)

1. Siempre desconecte el enchufe del receptáculo de pared antes de quitar la cubierta del tanque.
2. Quite la cubierta del tanque y los filtros para aspirar sólidos. El tanque deberá limpiarse también de cualquier escombros o basura.
3. Asegúrese que el manguito de espuma esté correctamente instalado para aspirar líquidos (Vea "Al aspirar materiales húmedos").
4. Inserte el aditamento de entrada de la bomba en la base del alojamiento del motor, sobre la cubierta del tanque. Gírelo hasta que el agujero de descarga quede alineado con el tapón ubicado en la superficie inferior de la cubierta del tanque (Fig. 4).

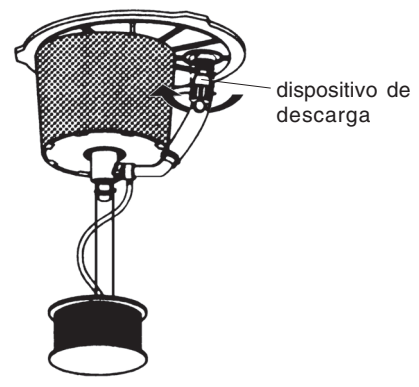
Fig. 4



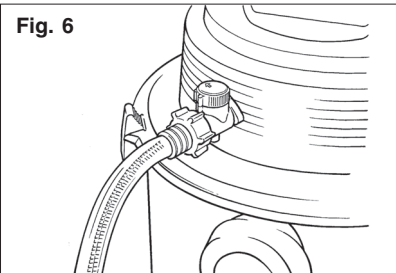
5. Quite el tapón del agujero de descarga. Inserte el dispositivo de descarga y gírelo en dirección de las manecillas del reloj para asegurarlo en su lugar (Fig. 5).

NOTA: No corte el lazo de seguridad que fija el enchufe a la rejá metálica de la cubiérta. El enchufe deberá utilizarse cuando se aspiren materiales secos.

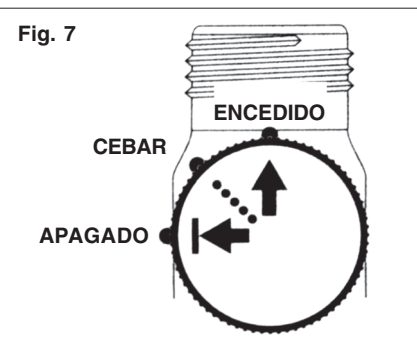
Fig. 5



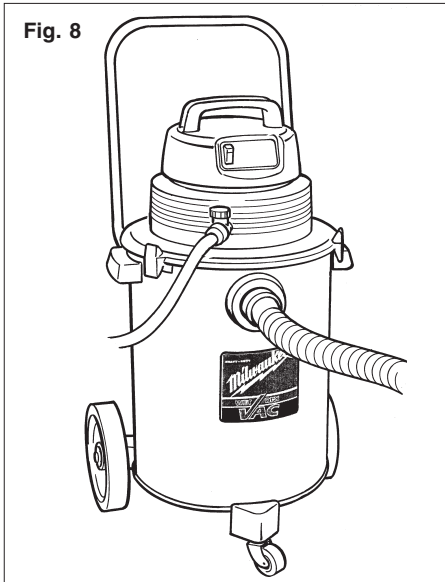
6. Vuelva a colocar la cubiérta del tanque y asegúrela al tanque con los pasadores de sujeción.
7. Conecte una manguera para jardín estándar (no incluida) a la válvula de cierre (Fig. 6).



8. Antes de comenzar la operación de bombeo, revise que la válvula de cierre esté en la posición de apagado (OFF) (Fig. 7).



- Una la manguera de 32mm (1-1/4") a la toma del tanque (Fig. 8).



- Conecte la aspiradora. Active el interruptor en la posición de encendido (ON).

NOTA: El interruptor volverá automáticamente a una posición neutral.

- Empiece su aspiración de líquidos.

NOTA: Para emplear la característica de bombeo, usted necesitará aproximadamente 102mm (4") de agua en el fondo del tanque. En ese momento, usted puede encender la bomba o continuar con la aspiración de líquidos estándar hasta que el tanque alcance su máxima capacidad. La aspiradora se apagará automáticamente cuando esté llena.

Para vaciar un tanque lleno mediante el bombeo

- Para vaciar un tanque lleno mediante el bombeo, primero separe la manguera del líquido. Luego el interruptor de encendido y apagado (ON/OFF) deberá sostenerse manualmente en la posición de encendido (ON) con la válvula de cierre en la posición de cebar (priming).

NOTA: La manguera deberá estar instalada a la aspiradora para poder cebar.

NOTA: Si su aspiradora no abreva, restrinja el flujo de aire, tapando el extremo de la manguera.

- Una vez que el líquido comience a fluir a través de la manguera para jardín, la válvula de cierre deberá activarse a la completa posición de encendido (ON) para lograr el máximo fluído. Usted tendrá que sostener manualmente el interruptor de encendido y apagado (ON/OFF) en la posición de encendido (ON) durante aproximadamente de 10 a 15 segundos para permitir que el nivel del agua reduzca lo suficiente y que luego el bombeo continúe automáticamente. La aspiradora continuará descargando el líquido hasta que den aproximadamente 102mm (4") de agua en el tanque.

NOTA: La aspiradora es capaz de aspirar al mismo tiempo que bombea. El volumen de la aspiración de líquidos es mayor que el volumen de descarga y los pasos 1 y 2 habrá necesidad de repetirlos en caso de que la aspiradora se apagara.

- Después de haber completado la aspiración y el bombeo, el líquido restante deberá vaciarse del tanque y el ensamblaje de la bomba recogedora deberá quitarse y limpiarse.

NOTA: Mantenga la válvula de cierre en la posición de apagado (OFF) cuando no esté bombeando.

Cómo sacar el líquido del tanque de la aspiradora

- Desconecte la aspiradora.
- Retire la parte superior del motor y el adaptador húmedo y póngalos aparte.
- Bloquee las ruedas.
- Vacíe cuidadosamente el contenido en el desagüe del piso.
- Enjuague y seque el tanque.

NOTA: No guarde la aspiradora si tiene líquido dentro. Haga funcionar la aspiradora durante unos 10 minutos sin recoger nada para secar el interior del tanque.

Aspirar materiales secos

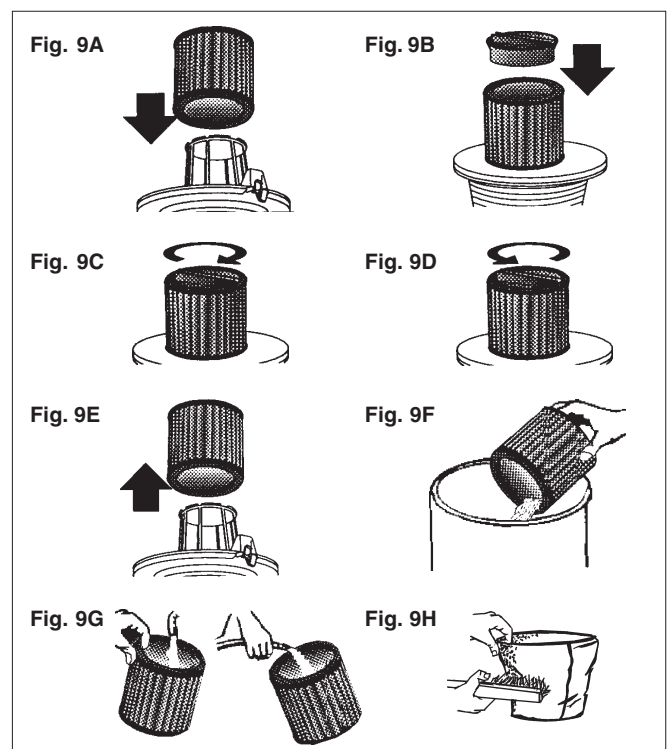
Al aspirar materiales secos, se requiere ya sea el cartucho o el manguito de caucho de los filtros y el filtro de tela. Coloque el anillo de montaje sobre el filtro seco de uso repetido y presione hacia abajo hasta que el anillo esté colocado contra las pestañas de la cubierta del tanque. Hay otros tipos de filtros que se pueden utilizar con los filtros requeridos para proporcionar filtración adicional cuando se aspira materiales secos. Siga las instrucciones que se incluyen con estos filtros. Vacíe el tanque y limpie los filtros con frecuencia. Asegúrese de que los filtros estén secos antes de usar la aspiradora para recoger material seco. El material seco atasca los filtros húmedos y hace que sea difícil limpiarlos.

Cómo accionar y detener la aspiradora

- Para encender la aspiradora, ponga el interruptor de encendido y apagado (ON/OFF) en la posición de encendido (ON).
- Para apagar la aspiradora, ponga el interruptor de encendido y apagado (ON/OFF) en la posición de apagado (OFF).

Limpeza y cambio del filtro (Fig. 9)

Instalación de los filtros:



- Deslice el filtro de cartucho sobre la jaula (Fig. 9A).
- Coloque el retén del filtro en la parte superior del filtro de cartucho (Fig. 9B).
- Sostenga la base de la jaula de la cubierta con una mano y gire el retén en dirección de las manecillas del reloj para apretarlo (Fig. 9C).
- Para quitar el filtro con el fin de limpiarlo, vuelva a sostener la base de la jaula de cubierta con una mano y gire el retén en dirección contraria a las manecillas del reloj para aflojarlo (Fig. 9D).

- Deslice el filtro hacia fuera de la jaula (Fig. 9E).
- Limpe el filtro seco al dar pequeños golpecitos en le interior del contenedor (Fig. 9F).

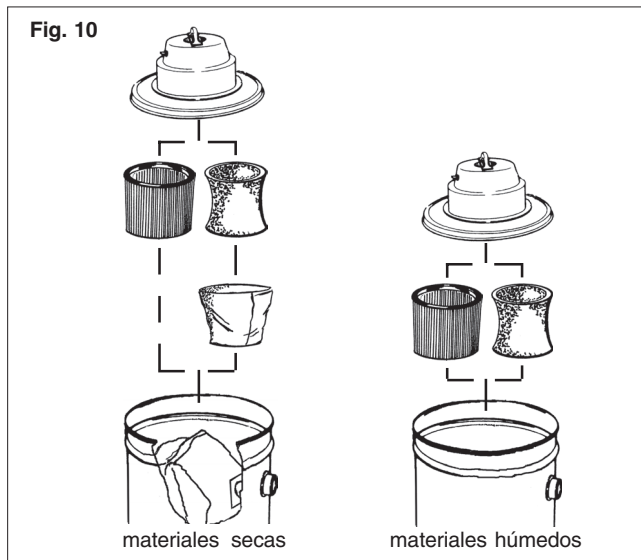
Limpe el filtro seco al enjuagarlo por la parte interna (Fig. 9G).

Limpe los filtros de tela sacudiendo el material suelto y limpiando el filtro con un cepillo de cerdas suaves (Fig. 9H).

NOTA: Cuando aspire líquidos (con el fin de evitar que una formación de moho), asegúrese que el filtro de cartucho esté completamente seco antes de ser instalado nuevamente en la jaula.

Instalación de los filtros (Fig. 10)

- Deconecte la aspiradora.
- Retire la parte superior del motor y póngala a un lado.
- Coloque el cartucho o el manguito de caucho de los filtros en la parte superior del motor (Fig. 10).
 - Si piensa aspirar material seco con una bolsa, abra la bolsa de filtro de papel y coloque el cuello de cartón en el tubo de toma de entrada tan a fondo como sea posible.
 - Si piensa aspirar material seco y está usando el manguito de caucho de los filtros, debe usar también el filtro de tela.



PRECAUCIÓN: Tenga cuidado al manejar la parte superior del motor. Si se cae esta parte, se puede dañar irremediablemente.

- Vuelva a colocar la parte superior del motor y cierre los pestillos del tanque.

MANTENIMIENTO



¡ADVERTENCIA!

Para reducir el riesgo de una lesión, desconecte siempre la herramienta antes de darle cualquier mantenimiento. Nunca desarme la herramienta ni trate de hacer modificaciones en el sistema eléctrico de la misma. Acuda siempre a un Centro de Servicio MILWAUKEE para TODAS las reparaciones.

Mantenimiento de las herramientas

Adopte un programa regular de mantenimiento y mantenga su herramienta en buenas condiciones. Antes de usarla, examine las condiciones generales de la misma. Inspeccione guardas, interruptores, el cable de la herramienta y el cable de extensión. Busque tornillos sueltos o flojos, malos alineamientos y dobleces en partes móviles, así como montajes inadecuados, partes rotas y cualquier otra condición que pueda afectar una operación segura. Si detecta ruidos o vibraciones anormales, apague la herramienta de inmediato y corrija el problema antes de volver a usarla. No use una herramienta dañada. Colóquese una etiqueta que diga "NO DEBE USARSE" hasta que sea reparada (vea "Reparaciones").

Bajo condiciones normales, no se requiere lubricación hasta que haya que cambiar los carbones. Después de 6 meses a un año, dependiendo del uso dado, envíe su herramienta al Centro de Servicio MILWAUKEE más cercano para que le hagan:

- Lubricación
- Inspección y cambio de carbones
- Inspección mecánica y limpieza (engranes, flechas, baleros, carcasa, etc.)
- Inspección eléctrica (interruptor, cable, armadura, etc.)
- Probarla para asegurar una adecuada operación mecánica y eléctrica



¡ADVERTENCIA!

Para reducir el riesgo de una lesión, descarga eléctrica o daño a la herramienta, nunca la sumerja en líquidos ni permita que estos fluyan dentro de la misma.

Limpieza

Limpe el polvo y suciedad de las ventilas. Mantenga los mangos y empuñaduras limpios, secos y libres de aceite o grasa. Use solo jabón neutro y un trapo húmedo para limpiar su herramienta ya que algunas sustancias y solventes limpiadores son dañinos a los plásticos y partes aislantes. Algunos de estos incluyen: gasolina, turpentina, thinner, lacas, thinner para pinturas, solventes para limpieza con cloro, amoníaco y detergentes caseros que tengan amonía. Nunca usa solventes inflamables o combustibles cerca de una herramienta.

Reparación

Si su herramienta se daña o descompone, envíela completa al centro de servicio más cercano de los listados en la cubierta posterior de este manual del operario.

ACCESORIOS



¡ADVERTENCIA!

Para reducir el riesgo de lesión, desconecte siempre su herramienta antes de colocar o retirar un accesorio. Use solo accesorios recomendados específicamente. Otros pueden ser peligrosos.

Para una lista completa de accesorios, refiérase a su catálogo *MILWAUKEE* Electric Tool o visite nuestro sitio en Internet: www.mil-electric-tool.com. Para obtener un catálogo, contacte su distribuidor local o uno de los centros de servicio listos en la página de

cubierta de este manual.

Cartucho de filtros seco/húmedo

Catálogo No. 49-90-1830

Manguito de caucho

Catálogo No. 49-90-0770

Bolsas filtros sumamente eficaces (paquete de 5)

Catálogo No. 49-90-0445

Manguera de plástico de 3m x 32cm (10pi. x 1-1/4pulg.)

Catálogo No. 49-90-0110

Tubo extensor de 32mm (1-1/4pulg.) de diámetro

Catálogo No. 49-90-2100

La varilla se conecta a las mangueras con un diámetro interno de 32mm (1-1/4").

Barredora de goma de 30cm (12pulg.)

Catálogo No. 49-90-2120

Broquilla de 30cm (12pulg.) para limpiar pisos

Catálogo No. 49-90-2110

Cepillo de 30cm (12")

Catálogo No. 49-90-2130

GARANTÍA LIMITADA DE DOS AÑOS

Todas las herramientas *MILWAUKEE* se prueban antes de abandonar la fábrica y se garantiza que no presentan defectos ni en el material ni de mano de obra. En el plazo de dos (2) años a partir de la fecha de compra *MILWAUKEE* reparará o reemplazará (a discreción de *MILWAUKEE*), sin cargo alguno, cualquier herramienta (cargadores de baterías inclusive) cuyo examen determine que presenta defectos de material o de mano de obra. Devuelva la herramienta, con gastos de envío prepagados y asegurada, y una copia de la factura de compra, u otro tipo de comprobante de compra, a una sucursal de reparaciones/ventas de la fábrica *MILWAUKEE* o a un centro de reparaciones autorizado por *MILWAUKEE*. Esta garantía no cubre los daños ocasionados por reparaciones o intentos de reparación por parte de personal no autorizado por *MILWAUKEE*, abuso, desgaste y deterioro normal, falta de mantenimiento o accidentes.

Las baterías, linternas y radios tienen una garantía de un (1) año a partir de la fecha de compra.

LOS DERECHOS A REPARACIÓN Y REEMPLAZO DESCRITOS EN EL PRESENTE DOCUMENTO SON EXCLUSIVOS. *MILWAUKEE* NO SERÁ EN NINGÚN CASO RESPONSABLE DE DAÑOS INCIDENTALES, ESPECIALES O CONSECUENTES, INCLUYENDO LA PÉRDIDA DE GANANCIAS.

ESTA GARANTÍA ES EXCLUSIVA Y SUSTITUYE A TODA OTRA GARANTÍA, O CONDICIONES, ESCRITAS U ORALES, EXPRESAS O IMPLÍCITAS DE COMERCIALIZACIÓN O IDONEIDAD PARA UN USO O FIN DETERMINADO.

Esta garantía le proporciona derechos legales específicos. Es posible que usted tenga otros derechos que varían de estado a estado y de provincia a provincia. En aquellos estados que no permiten la exclusión de garantías implícitas o la limitación de daños incidentales o consecuentes, las limitaciones anteriores pueden que no apliquen. Esta garantía es válida solamente en los Estados Unidos, Canadá y México.

UNITED STATES

MILWAUKEE Service

To locate the *factory* SERVICE CENTER or authorized service station nearest you, call

1-800-414-6527

TOLL FREE • NATIONWIDE

Monday-Friday • 8:00 AM - 4:30 PM • Local Time

In addition, there is a worldwide network of distributors ready to assist you. Check your "Yellow Pages" under "Tools-Electric" for the names of those nearest you.

For further information on *factory* SERVICE CENTER or authorized service station locations, visit our website at:

www.mil-electric-tool.com

Corporate Product Service Support -
Warranty and Technical Information

Brookfield, Wisconsin USA

1-800-729-3878

CANADA

Service MILWAUKEE

Milwaukee Electric Tool (Canada) Ltd

755 Progress Avenue

Scarborough, Ontario M1H 2W7

Tel. (416) 439-4181

Fax: (416) 439-6210

En outre le réseau de distributeurs est à la disposition de la clientèle d'un océan à l'autre. Consultez les pages jaunes de l'annuaire téléphonique pour l'adresse du centre le plus près de chez vous.

In addition, there is a worldwide network of distributors ready to assist you. Check your "Yellow Pages" under "Tools-Electric" for the names of those nearest you.

MEXICO

Servicios de MILWAUKEE

Milwaukee Electric Tool

División de : Atlas Copco Mexicana S.A. de C.V.

Bvd. Abraham Lincoln no. 13

Colonia Los Reyes Zona Industrial

Tlalnepantla, Edo. México C.P. 54073

Tels. 5565-1414 5565-4720

Fax: 5565-0925

Además se cuenta con una red nacional de distribuidores listos para apoyarlo. Vea en las "Páginas Amarillas" sección "Herramientas Eléctricas".

MILWAUKEE ELECTRIC TOOL CORPORATION

A Company within the Atlas Copco Group

13135 West Lisbon Road • Brookfield, Wisconsin, U.S.A. 53005

Free Manuals Download Website

<http://myh66.com>

<http://usermanuals.us>

<http://www.somanuals.com>

<http://www.4manuals.cc>

<http://www.manual-lib.com>

<http://www.404manual.com>

<http://www.luxmanual.com>

<http://aubethermostatmanual.com>

Golf course search by state

<http://golfingnear.com>

Email search by domain

<http://emailbydomain.com>

Auto manuals search

<http://auto.somanuals.com>

TV manuals search

<http://tv.somanuals.com>