



Intel® 4110 Serial to Parallel PCI Bridge

Design Guide

March 2006

Order Number: [310335-001](#)



INFORMATION IN THIS DOCUMENT IS PROVIDED IN CONNECTION WITH INTEL® PRODUCTS. NO LICENSE, EXPRESS OR IMPLIED, BY ESTOPPEL OR OTHERWISE, TO ANY INTELLECTUAL PROPERTY RIGHTS IS GRANTED BY THIS DOCUMENT. EXCEPT AS PROVIDED IN INTEL'S TERMS AND CONDITIONS OF SALE FOR SUCH PRODUCTS, INTEL ASSUMES NO LIABILITY WHATSOEVER, AND INTEL DISCLAIMS ANY EXPRESS OR IMPLIED WARRANTY, RELATING TO SALE AND/OR USE OF INTEL PRODUCTS INCLUDING LIABILITY OR WARRANTIES RELATING TO FITNESS FOR A PARTICULAR PURPOSE, MERCHANTABILITY, OR INFRINGEMENT OF ANY PATENT, COPYRIGHT OR OTHER INTELLECTUAL PROPERTY RIGHT. Intel products are not intended for use in medical, life saving, life sustaining applications.

Contact your local Intel sales office or your distributor to obtain the latest specifications and before placing your product order.

Copies of documents which have an ordering number and are referenced in this document, or other Intel literature may be obtained by calling 1-800-548-4725 or by visiting Intel's website at <http://www.intel.com>.

Intel is a trademark or registered trademark of Intel Corporation or its subsidiaries in the United States and other countries.

*Other names and brands may be claimed as the property of others.

Copyright © Intel Corporation, 2006

Contents

1	About This Document	7
1.1	Terminology and Definitions	7
2	Introduction	9
2.1	PCI Express Interface Features.....	9
2.2	PCI-X Interface Features	9
2.3	Power Management.....	10
2.4	SMBus Interface	10
2.5	JTAG.....	12
2.6	Related Documents	12
2.7	Intel® 41110 Serial to Parallel PCI Bridge Applications	13
3	Package Information	15
3.1	Package Specification	15
4	Power Plane Layout	17
4.1	41110 Decoupling Guidelines.....	17
4.2	Split Voltage Planes.....	19
5	41110 Reset and Power Timing Considerations	21
5.1	A_RST# and PERST# Timing Requirements	21
5.2	VCC15 and VCC33 Voltage Requirements	21
6	General Routing Guidelines	23
6.1	General Routing Guidelines.....	23
6.2	Crosstalk.....	23
6.3	EMI Considerations	24
6.4	Power Distribution and Decoupling.....	25
6.5	Trace Impedance.....	25
7	Board Layout Guidelines	27
7.1	Adapter Card Topology.....	27
8	PCI-X Layout Guidelines	29
8.1	Interrupts.....	29
8.2	PCI Arbitration	30
8.3	PCI General Layout Guidelines	31
8.4	PCI Clock Layout Guidelines	32
8.5	PCI-X Topology Layout Guidelines.....	35
8.6	41110 Layout Analysis.....	35
9	PCI Express Layout	41
9.1	General recommendations	41
9.2	PCI-Express Layout Guidelines.....	42
9.3	Adapter Card Layout Guidelines.....	42
10	Circuit Implementations	45
10.1	41110 Analog Voltage Filters.....	45

10.2	41110 Reference and Compensation Pins	48
11	41110 Customer Reference Boards	51
11.1	Board Stack-up	51
11.2	Material	52
11.3	Impedance	52
11.4	Board Outline	53
12	Design Guide Checklist	55

Figures

1	Microcontroller Block Diagram	11
2	41110 Microcontroller Connections	12
3	41110 Block Diagram	13
4	41110 Adapter Card Block Diagram	14
5	41110 Bridge Package Dimensions (Top View)	15
6	41110 Bridge Package Dimensions (Side View)	16
7	Decoupling Placement for Core and PCI Express Voltage Planes	17
8	Decoupling Placement for PCI/PCI-X 1.5V and 3.3V Voltage Planes	18
9	41110 Bridge Single-Layer Split Voltage Plane	20
10	Crosstalk Effects on Trace Distance and Height	24
11	PCB Ground Layout Around Connectors	24
12	Cross Section of Differential Trace	26
13	Two-by-two Differential Impedance Matrix	26
14	Adapter Card Stackup	28
15	PCI RCOMP	31
16	PCI Clock Distribution and Matching Requirements	33
17	Embedded PCI-X 133 MHz Topology	36
18	Embedded PCI-X 100 MHz Topology	37
19	PCI-X 66 MHz Embedded Routing Topology	38
20	PCI 66 MHz Embedded Topology	39
21	PCI 33 MHz Embedded Mode Routing Topology	40
22	PCI Analog Voltage Filter Circuit	46
23	PCI Express Analog Voltage Filter Circuit	47
24	Bandgap Analog Voltage Filter Circuit	48
25	Reference and Compensation Circuit Implementations	49
26	Mechanical Outline of the 41110	53

Tables

1	Terminology and Definitions	7
2	41110 Decoupling Guidelines	19
3	Adapter Card Stack Up, Microstrip and Stripline	27
4	INTx Routing Table	29
5	Interrupt Binding for Devices Behind a Bridge	30
6	PCI-X Signals	32
7	PCI/PCI-X Frequency/Mode Straps	32
8	PCI-X Clock Layout Requirements Summary	34
9	PCI-X Slot Guidelines	35

10	Embedded PCI-X 133 MHz Routing Recommendations	36
11	Embedded PCI-X 100 MHz Routing Recommendations	37
12	PCI-X 66 MHz Embedded Routing Recommendations	38
13	PCI 66 MHz Embedded Table	39
14	PCI 33 MHz Embedded Routing Recommendations.....	40
15	Adapter Card Routing Recommendations	42
16	Recommended R, L and C Values for 41110 Analog Filter Circuits.....	45
17	SMBUs Address Configuration	49
18	CRB Board Stackup.....	51
19	PCI Express Interface Signals	55
20	PCI/PCI-X Interface Signals	56
21	Miscellaneous Signals	57
22	SMBus Interface Signals	58
23	Reset Pins	59
24	Power and Ground Signals.....	60
25	JTAG Signals.....	61

Revision History

Date	Revision	Description
March 2006	001	Initial release.

This document provides layout information and guidelines for designing platform or add-in board applications with the Intel® 41110 Serial to Parallel PCI Bridge (also called the 41110 Bridge). It is recommended that this document be used as a guideline. Intel recommends employing best-known design practices with board level simulation, signal integrity testing and validation for a robust design.

Designers should note that this guide focuses upon specific design considerations for the 41110 Bridge and is not intended to be an all-inclusive list of all good design practices. Use this guide as a starting point and use empirical data to optimize your particular design.

1.1 Terminology and Definitions

Table 1 provides a list of terms and definitions that may be useful when working with the 41110 Bridge product.

Table 1. Terminology and Definitions (Sheet 1 of 2)



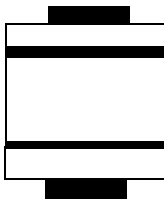
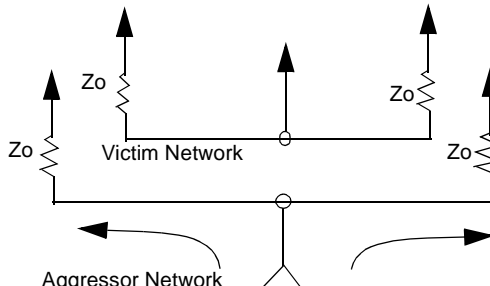
Term	Definition	
Stripline		<p>Stripline in a PCB is composed of the conductor inserted in a dielectric with GND planes to the top and bottom.</p> <p>NOTE: An easy way to distinguish stripline from microstrip is that you need to strip away layers of the board to view the trace on stripline.</p>
Microstrip		<p>Microstrip in a PCB is composed of the conductor on the top layer above the dielectric with a ground plane below</p>
Prepreg	<p>Material used for the lamination process of manufacturing PCBs. It consists of a layer of epoxy material that is placed between two cores. This layer melts into epoxy when heated and forms around adjacent traces.</p>	
Core	<p>Material used for the lamination process of manufacturing PCBs. This material is two sided laminate with copper on each side. The core is an internal layer that is etched.</p>	

Table 1. Terminology and Definitions (Sheet 2 of 2)

Term	Definition
PCB	<div style="display: flex; align-items: center;">  <div style="margin-left: 20px;"> <p>Layer 1: copper Prepreg Layer 2: GND</p> <p>Core</p> <p>Layer 3: VCC15 Prepreg Layer 4: copper</p> </div> </div> <p style="text-align: center;">Example of a Four-Layer Stack</p> <p>Printed circuit board. Example manufacturing process consists of the following steps:</p> <ul style="list-style-type: none"> • Consists of alternating layers of core and prepreg stacked • The finished PCB is heated and cured. • The via holes are drilled • Plating covers holes and outer surfaces • Etching removes unwanted copper • Board is tinned, coated with solder mask and silk screened
SSTL_2	Series Stub Terminated Logic for 2.5 V
JEDEC	Provides standards for the semiconductor industry.
Aggressor	<p>A network that transmits a coupled signal to another network is aggressor network.</p> 
Victim	A network that receives a coupled cross-talk signal from another network is a victim network.
Network	The trace of a PCB that completes an electrical connection between two or more components.
Stub	Branch from a trunk terminating at the pad of an agent.
CRB	Customer Reference Board
Downstream	Downstream refers either to the relative position of an interconnect/system element (Link/device) as something that is farther from the Root Complex, or to a direction of information flow, i.e., when information is flowing away from the Root Complex.
Upstream	
Local memory	Memory subsystem on the Intel XScale [®] processor DDR SDRAM or Peripheral Bus Interface busses.
DWORD	32-bit data word.
Flip Chip	FC-BGA (flip chip-ball grid array) chip packages are designed with processor core flipped up on the back of the chip, facing away from the PCB. This allows more efficient cooling of the package.
Mode Conversion	Mode Conversions are due to imperfections on the interconnect which transform differential mode voltage to common mode voltage and common mode voltage to differential voltage.
PCI-E	PCI-Express

The Intel® 41110 Serial to Parallel PCI Bridge integrates a PCI Express-to-PCI bridge. The bridge follows the PCI-to-PCI Bridge programming model. The PCI Express port is compliant to the *PCI Express Specification*, Revision 1.0. The PCI bus interface is fully compliant to the *PCI Local Bus Specification*, Revision 2.3.

2.1 PCI Express Interface Features

- *PCI Express Specification*, Revision 1.0b compliant.
- Support for single x8, single x4 or single x1 PCI Express operation.
- 64-bit addressing support.
- 32-bit CRC (cyclic redundancy checking) covering all transmitted data packets.
- 16-bit CRC on all link message information.
- Raw bit-rate on the data pins of 2.5 Gbit/s, resulting in a raw bandwidth per pin of 250 MB/s.
- Maximum realized bandwidth on PCI Express interface is 2 GB/s (in x8 mode) in each direction simultaneously, for an aggregate of 4 GB/s.

2.2 PCI-X Interface Features

- *PCI Local Bus Specification*, Revision 2.3 compliant.
- *PCI-to-PCI Bridge Specification*, Revision 1.1 compliant.
- *PCI-X Addendum to the PCI Local Bus Specification*, Revision 1.0a compliant.
- 64-bit 66 MHz, 3.3 V, NOT 5 V tolerant.
- On Die Termination (ODT) with 8.2K Ω pull-up to 3.3V for PCI signals.
- Six external REQ/GNT Pairs for internal arbiter on the PCIX bus segment respectively.
- Programmable bus parking on either the last agent or always on Intel® 41110 Serial to Parallel PCI Bridge.
- 2-level programmable round-robin internal arbiter with Multi-Transaction Timer (MTT)
- External PCI clock-feed support for asynchronous primary and secondary domain operation.
- 64-bit addressing for upstream and downstream transactions
- Downstream LOCK# support.
- No upstream LOCK# support.
- PCI fast Back-to-Back capable as target.
- Up to four active and four pending upstream memory read transactions

- Up to two downstream delayed (memory read, I/O read/write and configuration read/write) transaction.
- Tunable inbound read prefetch algorithm for PCI MRM/MRL commands
- Local initialization via SMBus
- Secondary side initialization via Type 0 configuration cycles.

2.3 Power Management

- Support for PCI Express Active State Power Management (ASPM) L0s link state
- Support for PCI PM 1.1 compatible D0, D3hot and D3cold device power states
- Support for PME# event propagation on behalf of PCI devices

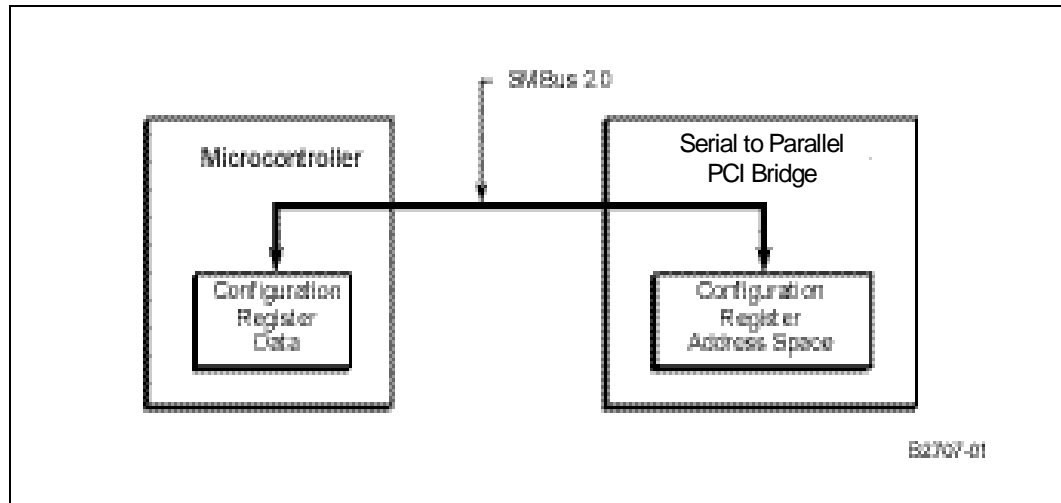
2.4 SMBus Interface

- Compatible with *System Management Bus Specification, Revision 2.0*
- Slave mode operation only.
- Full read/write access to all configuration registers

2.4.1 SMBus for configuration register initialization

- Support for local initialization of the configuration registers can be implemented using a microcontroller via SMB. [Figure 1](#) shows this SMBus and the data transfer that occurs between the 41110 and the microcontroller.
- Configuration Register information is stored internally in a microcontroller and the information is transferred to the product via System Managed Bus (SMBus) protocols when the device receives power or reset.
- The requirements of the microcontroller are as follows:
 - Supports I²C and SMBus Protocols
 - Has at least 256 Byte of internal EEPROM space
 - To facilitate this programming on the Customer Reference Board a Microchip part PIC16F876A was used.
 - Code space: estimated code size is ~2K words of program space and 32 words of RAM

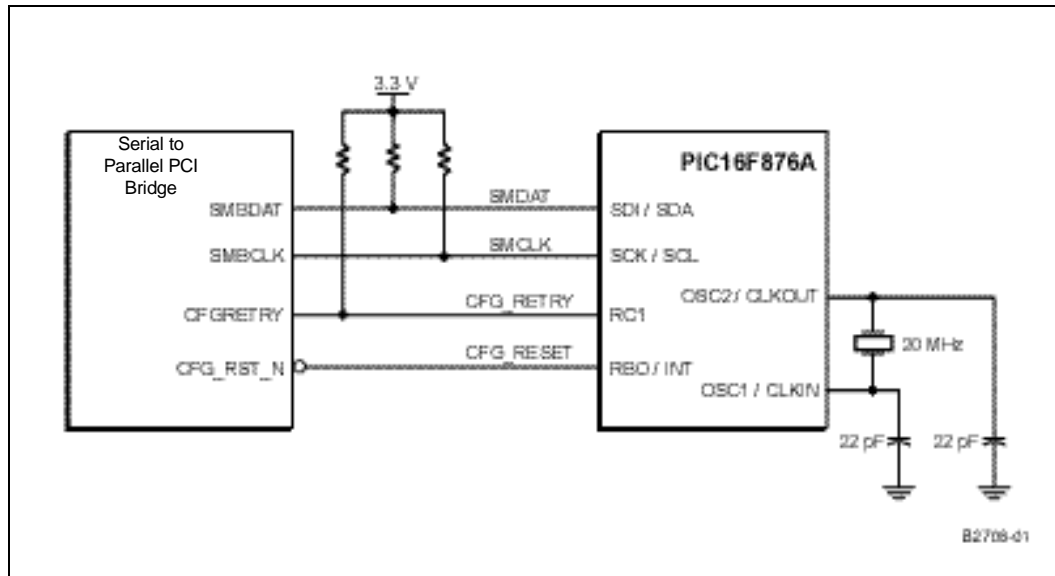
Figure 1. Microcontroller Block Diagram



2.4.2 Microcontroller Connections to the 41110

Figure 2 shows the SMB interface from the 41110 to the microcontroller.

Figure 2. 41110 Microcontroller Connections



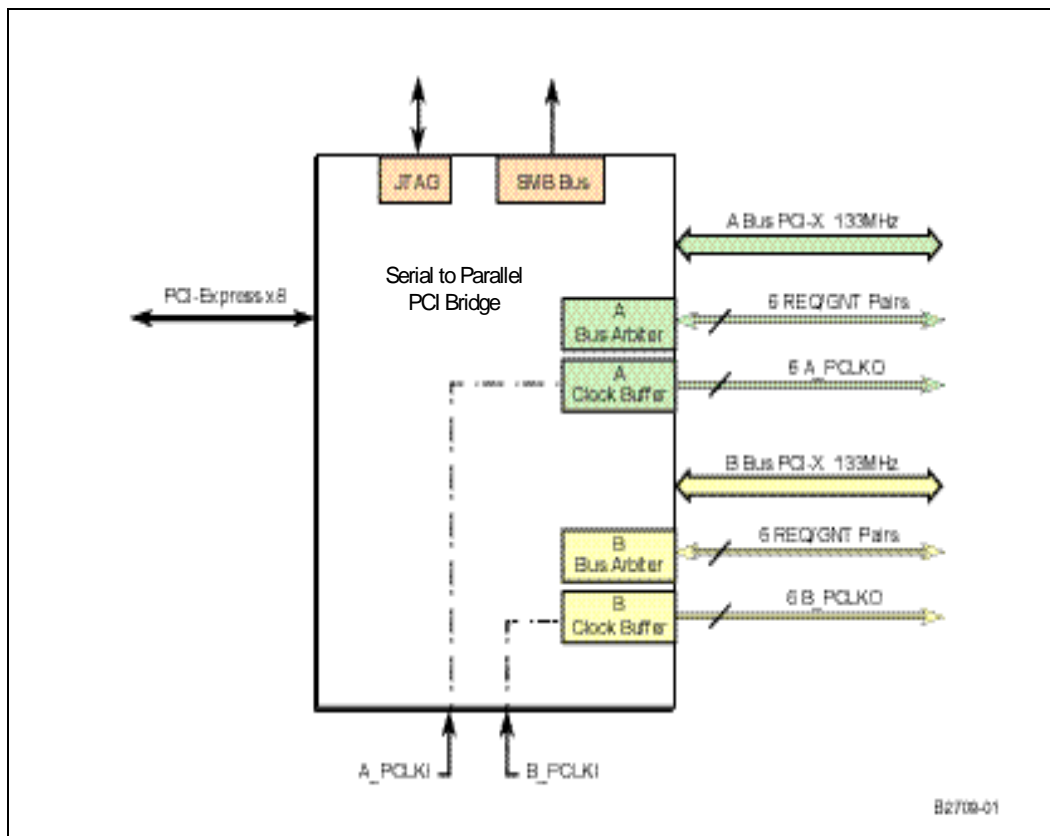
2.5 JTAG

- Compliant with *IEEE Standard Test Access Port and Boundary Scan Architecture 1149.1a*

2.6 Related Documents

- .
- *PCI Express Specification*, Revision 1.0, from www.pci-sig.com.
- *PCI Express Design Guide*, Revision 0.5
- *PCI Local Bus Specification*, Revision 2.3, from www.pci-sig.com.
- *PCI-X Addendum to the PCI Local Bus Specification*, Revision 1.0a, from www.pci-sig.com.
- *IEEE Standard Test Access Port and Boundary Scan Architecture 1149.1a*
- *System Management Bus Specification*, Revision 2.0

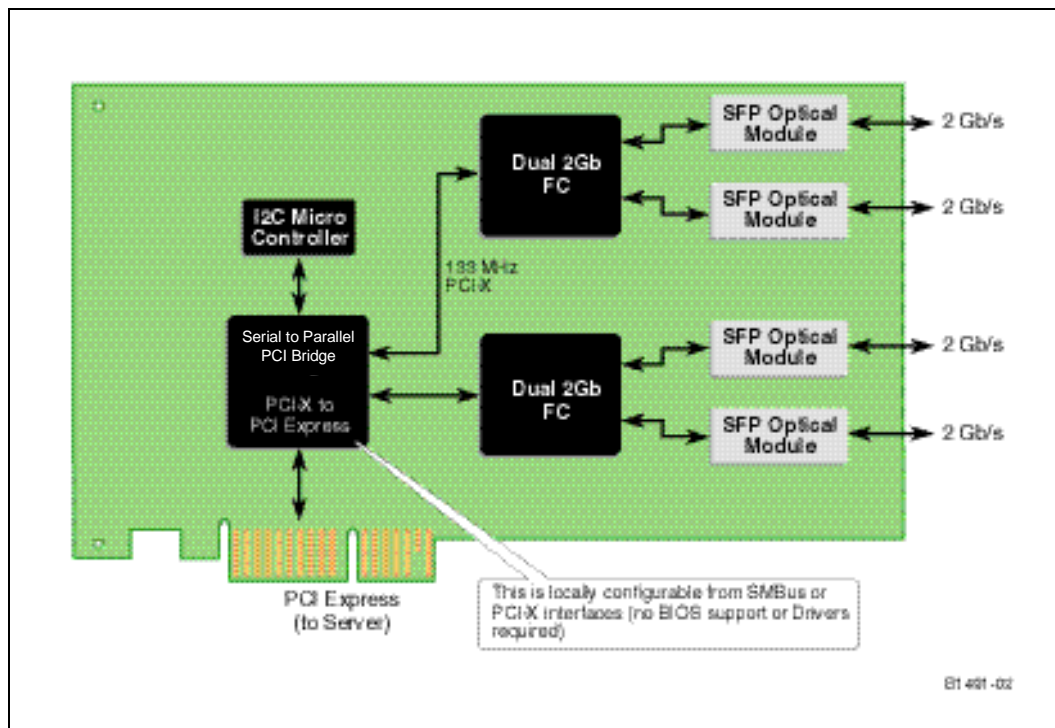
Figure 3. 41110 Block Diagram



2.7 Intel® 41110 Serial to Parallel PCI Bridge Applications

This section provides a block diagram for a typical the 41110 application. This application shows a PCI-E adapter card with two Dual 2Gb Fibre Channel controllers. Each of the PCI-X bus segments is connected to the Dual 2Gb Fibre Channel chip running at 133MHz. The two Dual FC chips provides the four 2Gb/s outputs.

Figure 4. 41110 Adapter Card Block Diagram



3.1 Package Specification

The 41110 Bridge is in a 567-ball FCBGA package, 31mm X 31mm in size, with a 1.27mm ball pitch (see Figure 5 and Figure 6).

Figure 5. 41110 Bridge Package Dimensions (Top View)

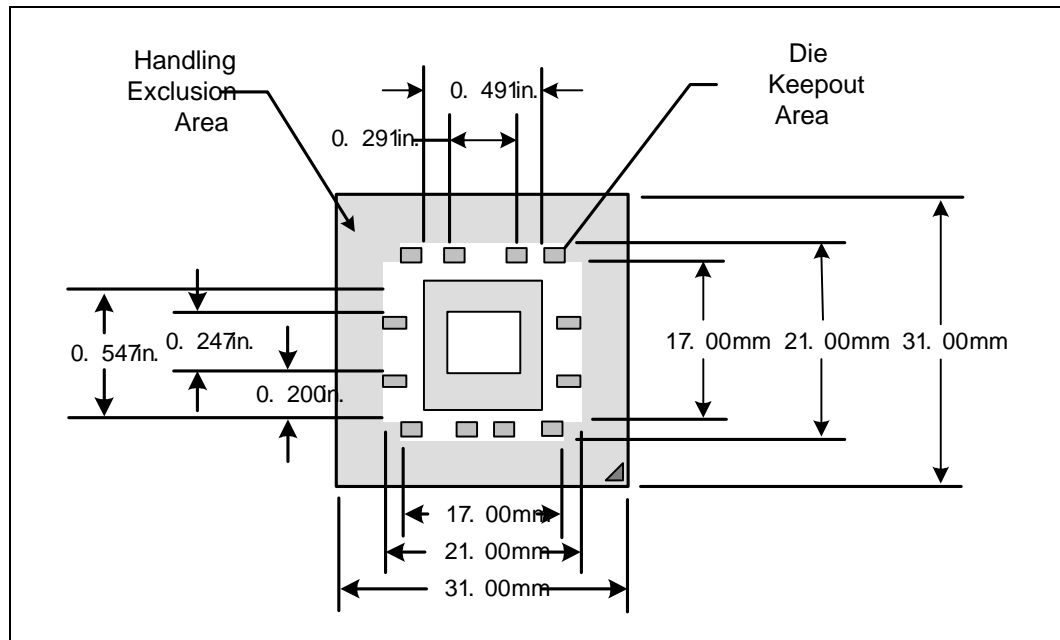
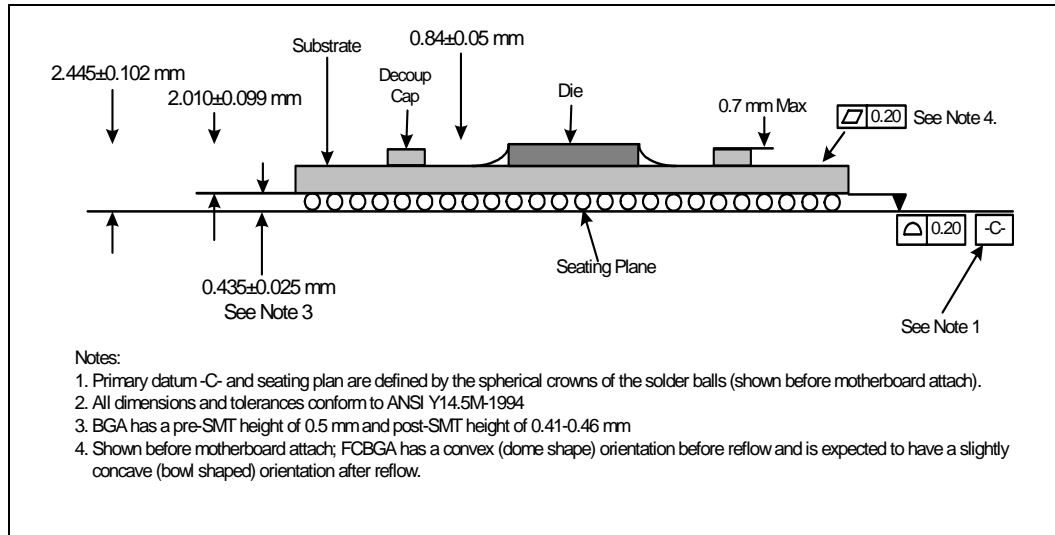


Figure 6. 41110 Bridge Package Dimensions (Side View)



Note: Primary datum -C- and seating plan are defined by the spherical crowns of the solder balls.

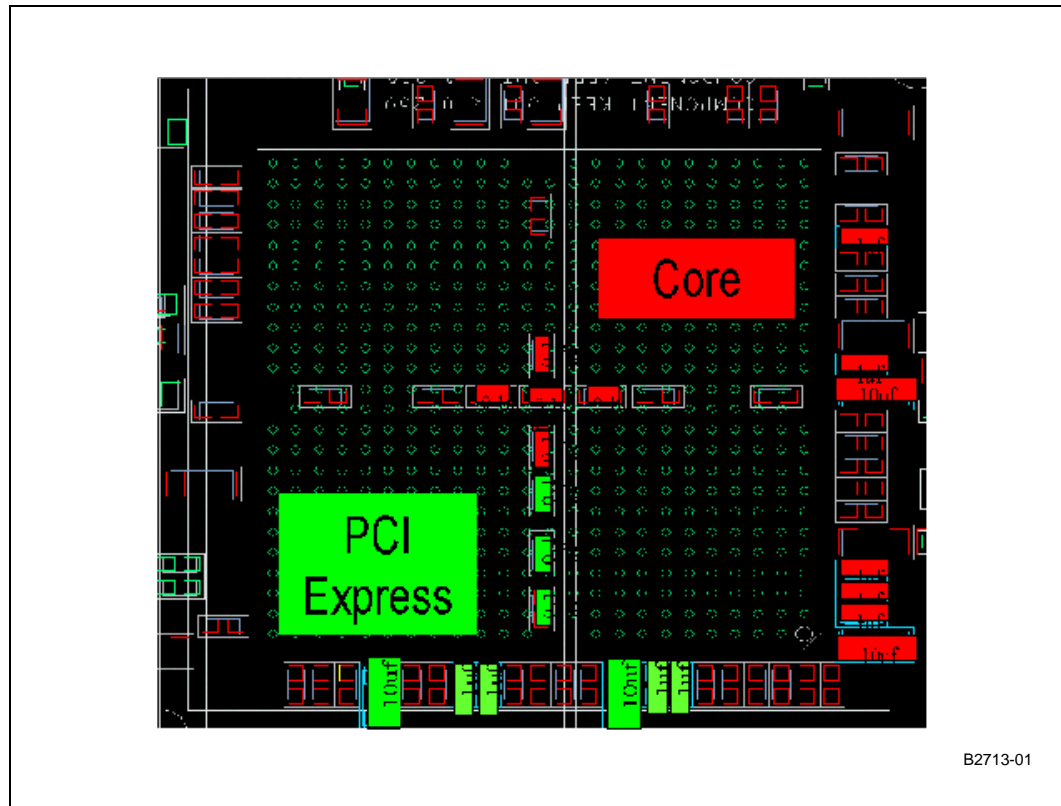
Note: All dimensions and tolerances conform to ANSI Y14.5M-1982

This chapter provides details on the decoupling and voltage planes needed to bias the 41110 package.

4.1 41110 Decoupling Guidelines

Table 2 lists the decoupling guidelines for the 41110. Figure 7 and Figure 8 provide the decoupling capacitors around the 41110 ball grid pins.

Figure 7. Decoupling Placement for Core and PCI Express Voltage Planes



B2713-01

Figure 8. Decoupling Placement for PCI/PCI-X 1.5V and 3.3V Voltage Planes

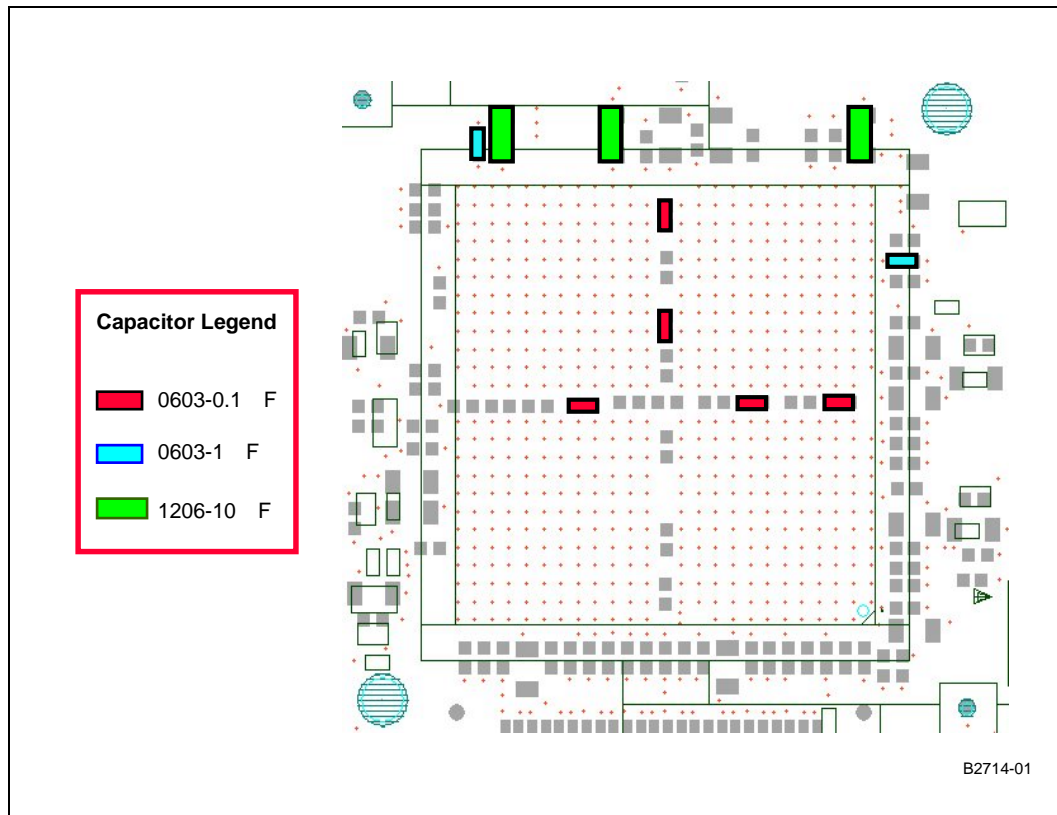


Table 2. 41110 Decoupling Guidelines

Voltage Plane	Voltage	41110 Bridge Pins	C (uF)	Package	ESR (mΩ)	ESL (nH)	# of Caps	Location
PCI/PCI-X Voltage	3.3V	VCC33	0.1	0603	50-300	1.0-3.0	5	Beneath 41110 Bridge BGA
PCI/PCI-X Voltage	3.3V	VCC33	1.0	0603	50-300	1.0-3.0	2	As close as design rules will allow to 41110 Bridge BGA
PCI/PCI-X Voltage	3.3V	VCC33	10	1206	50-300	1.0-3.0	3	As close as design rules will allow to 41110 Bridge BGA
Core Voltage	1.5V	VCC15	0.1	0603	200	2.0	5	Beneath 41110 Bridge BGA
Core Voltage	1.5V	VCC15	1.0	0805	200	2.3	5	As close as design rules will allow to 41110 Bridge BGA
Core Voltage	1.5V	VCC15	10	1206	200	1.9	2	As close as design rules will allow to 41110 Bridge BGA
PCI Express Voltage	1.5V	VCCPE	0.1	0603	200	2.0	3	Beneath 41110 Bridge BGA
PCI Express Voltage	1.5V	VCCPE	1	0805	200	2.3	4	As close as design rules will allow to 41110 Bridge BGA
PCI Express Voltage	1.5V	VCCPE	10	1206	200	1.9	2	As close as design rules will allow to 41110 Bridge BGA

4.2 Split Voltage Planes

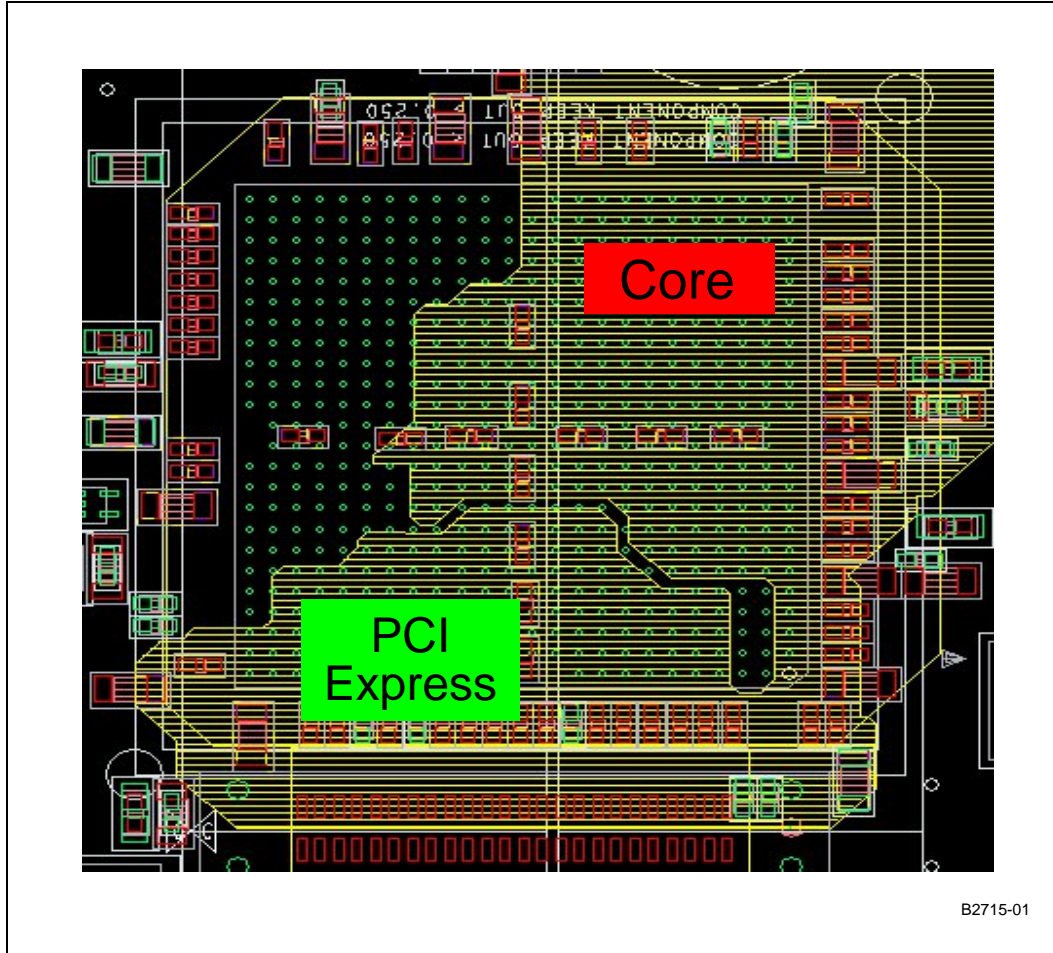
There are two 1.5V voltage planes that supply power to the 41110:

- VCC15:1.5V ±5% (1.5V core voltage)
- VCCPE:1.5V ±3% (1.5V PCI Express voltage)

The 41110 Bridge core (VCC15), PCI-Express (VCCPE) voltages should be supplied by two separate voltage regulators or a single regulator. If VCC15 and VCCPE is supplied by a single voltage regulator the power planes should be split as shown in [Figure 9](#).

Note: Linear voltage regulators are recommended when using 1.5 Volt power supplies.

Figure 9. 41110 Bridge Single-Layer Split Voltage Plane



41110 Reset and Power Timing Considerations

This chapter describes the 41110 reset timing considerations.

5.1 A_RST# and PERST# Timing Requirements

The PCI-X Specification requires that there is a 100ms delay from valid power (PERST#) to reset deassertion (A_RST#). 41110 will keep A_RST# asserted for a minimum of 320ms after PERST# is deasserted.

5.2 VCC15 and VCC33 Voltage Requirements

The following steps are the power sequencing requirements that must be followed with the 41110:

1. The 41110 requires that the VCC33 voltage rail be no less than 0.5V below VCC15 (absolute voltage value) at all times during 41110 operation, including during system power up and power down. In other words, the following must always be true:

$$VCC33 \geq (VCC15 - 0.5V)$$

This can be accomplished by placing a diode (with a voltage drop $<0.5V$) between VCC15 and VCC33. A node will be connected to VCC15 and cathode will be connected to VCC33.

If VCC15 (1.5V PCI-X I/O voltage) and VCC15 (1.5V core voltage) are tied together on the platform, then both voltages must meet the above rule.

Note: Linear voltage regulators are recommended when using 1.5 Volt power supplies.

2. If a voltage regulator solution is used which shunts VCC15 to ground while VCC33 is powered, the maximum allowable time that VCC15 can be shunted to ground while VCC33 is fully powered is 20ms.
3. The maximum allowed time between VCC33 and VCC15 ramping is 525ms.

Note: There is no minimum sequencing time requirement other than requirements in Steps 2 and 3.

This page intentionally left blank.

This chapter provides some basic routing guidelines for layout and design of a printed circuit board using the 41110. The high-speed clocking required when designing with the 41110 requires special attention to signal integrity. In fact, it is highly recommended that the board design be simulated to determine optimum layout for signal integrity. The information in this chapter provides guidelines to aid the designer with board layout. Several factors influence the signal integrity of a 41110 design. These factors include:

- power distribution
- minimizing crosstalk
- decoupling
- layout considerations when routing the PCI Express bus and PCI-X bus interfaces

6.1 General Routing Guidelines

This section details general routing guidelines for designing with the 41110. The order in which signals are routed varies from designer to designer. Some designers prefer to route all clock signals first, while others prefer to route all high-speed bus signals first. Either order can be used, provided the guidelines listed here are followed.

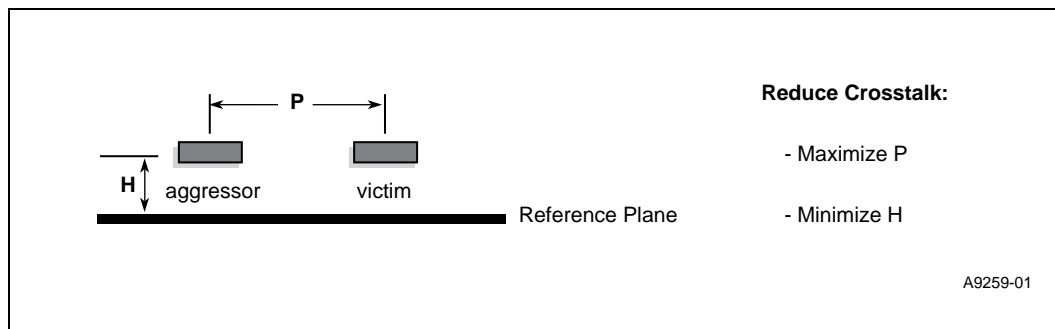
6.2 Crosstalk

Crosstalk is caused by capacitive and inductive coupling between signals. Crosstalk is composed of both backward and forward crosstalk components. Backward crosstalk creates an induced signal on victim network that propagates in the opposite direction of the aggressor signal. Forward crosstalk creates a signal that propagates in the same direction as the aggressor signal.

Circuit board analysis software is used to analyze your board layout for crosstalk problems. Examples of 2D analysis tools include Parasitic Parameters from **ANSOFT*** and XFS from **Quad Design***. Crosstalk problems occur when circuit etch lines run in parallel. When board analysis software is not available, the layout should be designed to maintain at least the minimum recommended spacing for bus interfaces.

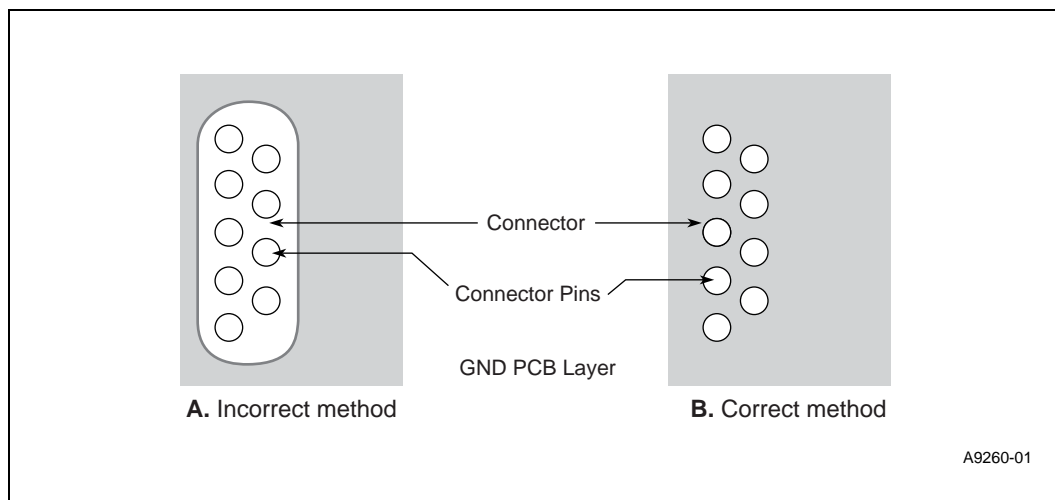
- A general guideline to use is, that space distance between adjacent signals be a least 3.3 times the distance from signal trace to the nearest return plane. The coupled noise between adjacent traces decreases by the square of the distance between the adjacent traces.
- It is also recommended to specify the height of the above reference plane when laying out traces and provide this parameter to the PCB manufacturer. By moving traces closer to the nearest reference plane, the coupled noise decreases by the square of the distance to the reference plane.

Figure 10. Crosstalk Effects on Trace Distance and Height



- Avoid slots in the ground plane. Slots increases mutual inductance thus increasing crosstalk.
- Make sure that ground plane surrounding connector pin fields are not completely cleared out. When this area is completely cleared out, around the connector pins, all the return current must flow together around the pin field increasing crosstalk. The preferred method of laying out a connector in the GND layer is shown in Figure 11.

Figure 11. PCB Ground Layout Around Connectors



6.3 EMI Considerations

It is highly recommended that good EMI design practices be followed when designing with the 41110.

- To minimize EMI on your PCB a useful technique is to not extend the power planes to the edge of the board.
- Another technique is to surround the perimeter of your PCB layers with a GND trace. This helps to shield the PCB with grounds minimizing radiation.

The below link can provide some useful general EMI guidelines considerations:

<http://developer.intel.com/design/auto/mcs96/applnots/272673.htm>

6.4 Power Distribution and Decoupling

Have ample decoupling to ground, for the power planes, to minimize the effects of the switching currents. Three types of decoupling are: the bulk, the high-frequency ceramic, and the inter-plane capacitors.

- Bulk capacitance consist of electrolytic or tantalum capacitors. These capacitors supply large reservoirs of charge, but they are useful only at lower frequencies due to lead inductance effects. The bulk capacitors can be located anywhere on the board.
- For fast switching currents, high-frequency low-inductance capacitors are most effective. Place these capacitors as close to the device being decoupled as possible. This minimizes the parasitic resistance and inductance associated with board traces and vias.
- Use an inter-plane capacitor between power and ground planes to reduce the effective plane impedance at high frequencies. The general guideline for placing capacitors is to place high-frequency ceramic capacitors as close as possible to the module.

6.4.1 Decoupling

Inadequate high-frequency decoupling results in intermittent and unreliable behavior.

A general guideline recommends that you use the largest easily available capacitor in the lowest inductance package. For specific decoupling requirements for a 41110 application please refer to [Chapter 4](#).

6.5 Trace Impedance

All signal layers require controlled impedance $60 \Omega \pm 15\%$, microstrip or stripline for add-in card applications. Selecting the appropriate board stack-up to minimize impedance variations is very important. When calculating flight times, it is important to consider the minimum and maximum trace impedance based on the switching neighboring traces. Use wider spaces between traces, since this can minimize trace-to-trace coupling, and reduce cross talk.

When a different stack up is used the trace widths must be adjusted appropriately. When wider traces are used, the trace spacing must be adjusted accordingly (linearly).

It is highly recommended that a 2D Field Solver be used to design the high-speed traces. The following Impedance Calculator URL provide approximations for the trace impedance of various topologies. They may be used to generate the starting point for a full 2D Field solver.

<http://emclab.umr.edu/pcbtlc/>

The following website link provides a useful basic guideline for calculating trace parameters:

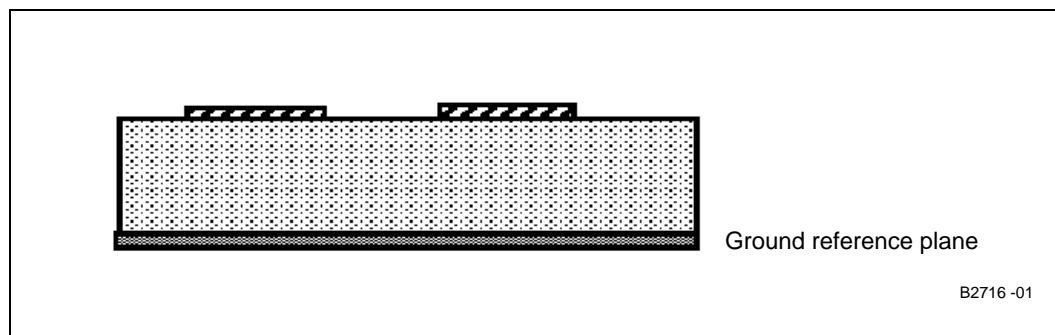
<http://www.ultracad.com/calc.htm>

Note: Using stripline transmission lines may give better results than microstrip. This is due to the difficulty of precisely controlling the dielectric constant of the solder mask, and the difficulty in limiting the plated thickness of microstrip conductors, which can substantially increase cross-talk.

6.5.1 Differential Impedance

The PCI Express standard defines a 100 Ω differential impedance. This section provides some basic background information on the differential impedance calculations. In the cross section of Figure 12 shows the cross section of two traces of a differential pair.

Figure 12. Cross Section of Differential Trace



To calculate the coupled impedance requires a 2x2 matrix. The diagonal values in the matrix represent the impedance of the traces to ground and the off-diagonal values provide a measure of how tightly the traces are coupled. The “differential impedance is the value of the line-to-line resistor terminator that optimally terminates pure differential signals.” The two by two matrix is shown below as:

Figure 13. Two-by-two Differential Impedance Matrix

$$Z_o = \begin{bmatrix} Z_{11} & Z_{12} \\ Z_{21} & Z_{22} \end{bmatrix}$$

B2717 -01

For a symmetric trace $Z_{11} = Z_{22}$, the differential impedance can be calculated from this equation:

$$Z_{\text{differential}} = 2(Z_{11} - Z_{12})$$

For two traces to be symmetric, they must have the same width, thickness and height above the ground plane.¹ With the traces terminated with the appropriate differential, impedance ringing is minimized.

1. “Terminating Differential Signals on PCBs”, Steve Kaufer and Kelee Crisafulli, Printed Circuit Design, March 1999

This chapter provides details on adapter card stackup suggestions. It is highly recommended that signal integrity simulations be run to verify each 41110 PCB layout especially if it deviates from the recommendations listed in these design guidelines.

7.1 Adapter Card Topology

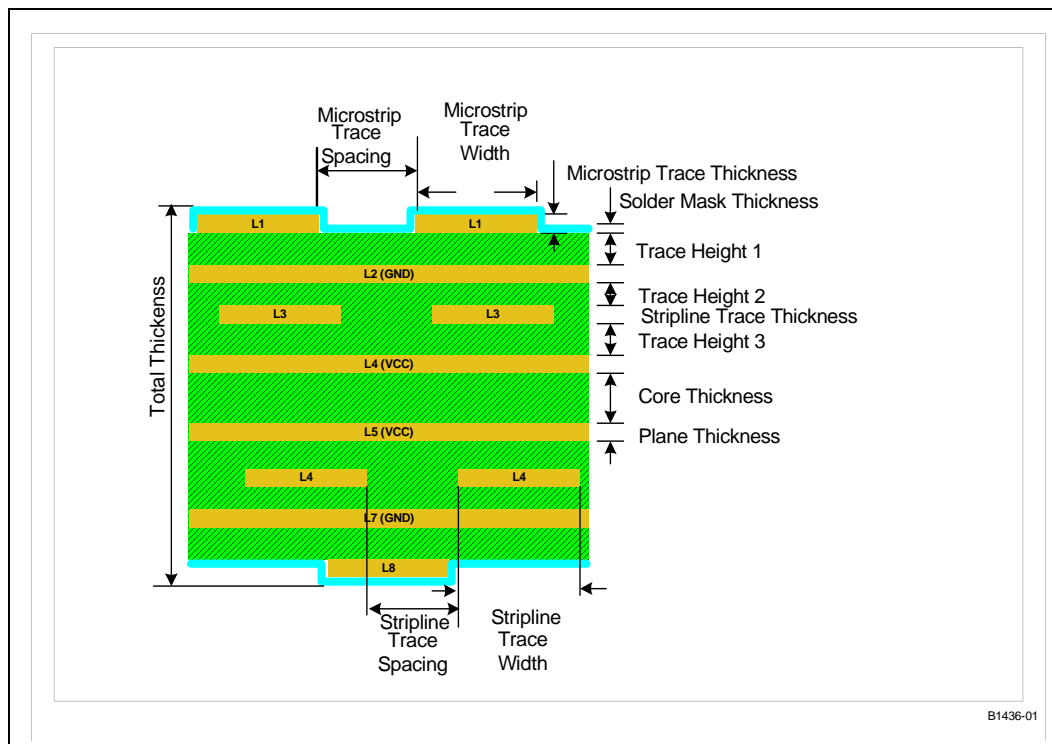
The 41110 will be implemented on PCI-E adapter cards with an eight layer stackup PCB. The specified impedance range for all adapter card implementations will be $60\Omega \pm 15\%$. Adjustments will be made for interfaces specified at other impedances. Table 3 defines the typical layer geometries for eight layer boards.

Table 3. Adapter Card Stack Up, Microstrip and Stripline

Variable	Type	Nominal (mils)	Minimum (mils)	Maximum (mils)	Notes
Solder Mask Thickness (mil)	N/A	0.8	0.6	1.0	
Solder Mask E_r	N/A	3.65	3.65	3.65	
Core Thickness (mil)	N/A	2.8	3.0	3.2	
Core E_r	N/A	4.3	3.75	4.85	2113 material
Plane Thickness (mil)	Power	2.7	2.5	2.9	
	Ground	1.35	1.15	1.55	
Trace Height (mil)	1	3.5	3.3	3.7	The trace height will be determined to achieve a nominal 60Ω .
	2	3.5	3.3	3.7	
	3	10.5	9.9	11.1	
Preg E_r	Microstrip	4.30	3.75	4.85	2113 material
	Stripline1	4.30	3.75	4.85	2113 material
	Stripline2	4.3	3.75	4.85	7628 material. Trace height 3 is composed of one piece of 2113 and one piece of 7628.
Trace Thickness (mil)	Microstrip	1.75	1.2	2.3	
	Stripline	1.4	1.2	1.6	
Trace Width (mil)	Microstrip	4.0	2.5	5.5	
	Stripline	4.0	2.5	5.5	
Total Thickness (mil)	FR4	62.0	56.0	68.0	
Trace Spacing (using microstrip E2E/C2C)	[12]/[16]				
Trace Spacing (using stripline E2E/C2C)	[12]/[16]				
Trace Impedance	Microstrip	60	51	69	
	Stripline	60	51	69	

Note: Each interface will set the trace spacing based on its signal integrity of differential impedance requirements. For the purposes of the building the transmission line models, it is assumed the artwork is very accurate and therefore a constant. All the variability in the trace spacing is the result of the tolerances of the trace width.

Figure 14. Adapter Card Stackup



This chapter describes several factors to be considered with a 41110 PCI/PCI-X design. These include the PCI IDSEL, PCI RCOMP, PCI Interrupts and PCI arbitration.

8.1 Interrupts

PCI Express provides interrupt messages that emulate the legacy wired mechanism. This allows IO devices to signal PCI-style interrupts using a pair of ASSERT and DEASSERT messages. This message pairing preserves the level-sensitive semantics of the PCI interrupts on PCI Express.

The 41110 uses four interrupts - A_INTA:A_INTD on bus A segment corresponding to the four interrupts defined in the PCI specification. The 41110 routes its PCI interrupt pins and the internal interrupts to PCI Express INTx interrupts according to [Table 4](#).

Table 4. INTx Routing Table

A_INT# Interrupt Pins	PCI Express INTx Message
A_INTA	INTA
A_INTB	INTB
A_INTC	INTC
A_INTD	INTD

The 41110 will use its primary bus number and device number in the Requester ID field for the PCI Express INTx messages. As stated in the PCI Express specification, the function number is reserved for interrupt messages and will always be 0.

Note: PCI Express Assert_INTx/Deassert_INTx messages are not inhibited by the BME bit.

8.1.1 Interrupt Routing for Devices Behind a Bridge

Given the legacy interrupt sharing scheme shown in Table 5, to get the best legacy interrupt performance (by reducing interrupt sharing), adapter boards have to select the appropriate A_INTX# (where X is A, B, C or D) input pin to use on the PCI bus segment. The chosen interrupt input also imposes a PCI device number requirement for the interrupt source as specified in the PCI-to-PCI Bridge specification and reproduced in Table 5.

Table 5. Interrupt Binding for Devices Behind a Bridge

Device Number on Secondary Bus	Interrupt Pin on Device	Interrupt on 41110 Bridge
- ^a . 4, 8 ^b , 12, 16, 20, 24, 28	INTA#	INTA#
	INTB#	INTB#
	INTC#	INTC#
	INTD#	INTD#
1, 5, 9 ^b , 13, 17, 21, 25, 29	INTA#	INTB#
	INTB#	INTC#
	INTC#	INTD#
	INTD#	INTA#
2, 6, 10 ^b , 14, 18, 22, 26, 30	INTA#	INTC#
	INTB#	INTD#
	INTC#	INTA#
	INTD#	INTB#
3, 7, 11 ^b , 15, 19, 23, 27, 31	INTA#	INTD#
	INTB#	INTA#
	INTC#	INTB#
	INTD#	INTC#

- a. Device number 0 is reserved for the Bridge and should not be assigned to secondary devices.
- b. AD[27:24] which correspond to devices 11:8 should not be used for IDSEL# connections as these signals are used when accessing the extended configuration space in the bridge from the secondary bus.

8.2 PCI Arbitration

The 41110 supports a high-performance internal PCI arbiter that supports up to seven masters on each PCI segment A and B PCI Buses. The request inputs into the internal arbiter include: six external request inputs and 1 internal request input. All request inputs to the internal arbiter are split into two groups, a high priority group and a low priority group. Any master, including the internal master, can be programmed to be in either of the two groups. This could also mean that all the request inputs into the arbiter could be in one single group. Within a group, priority is round-robin. The entire low-priority group represents one slot in the high priority group. The 41110 provides a 16-bit arbiter control register to control two aspects of the internal arbiter behavior:

- Priority group for a master (i.e., whether a master is in low priority group or high priority group).

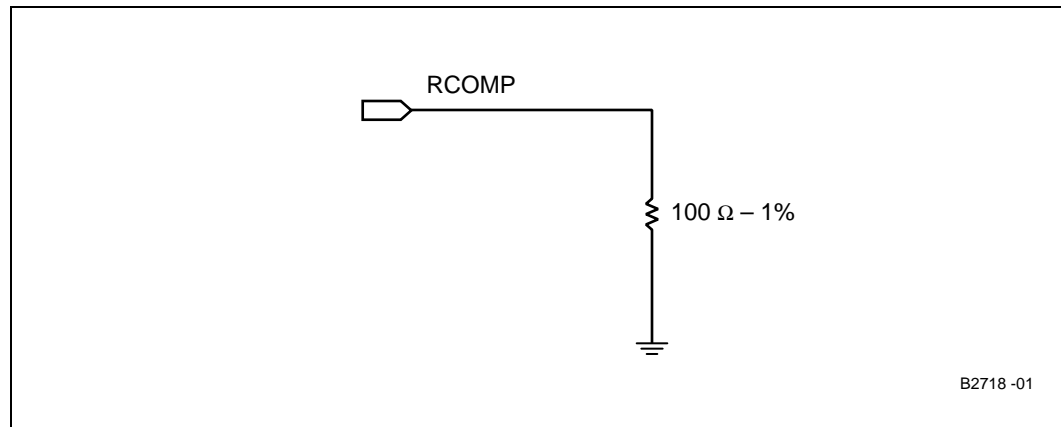
- Bus parking on last PCI agent or the bridge.

By default, the arbiter parks the bus on the bridge and drives the A/D, C/BE# and PAR lines to a known value while the bus is idle.

8.2.1 PCI Resistor Compensation

Figure 15 provides the recommended resistor compensation pin termination for the PCI A bus.

Figure 15. PCI RCOMP



8.3 PCI General Layout Guidelines

For acceptable signal integrity with bus speeds up to 133 MHz it is important to PCB design layout to have controlled impedance.

- Signal traces should have an unloaded impedance of 60 +/- 10% Ω
- Signal trace velocity should be roughly 150 – 190 ps/inch

There are a couple of general guidelines which should be used when routing your PCI bus signals:

- Avoid routing signals > 8”.
- The following signals have no length restrictions: A_INTA#, A_INTB#, A_INTC#, A_INTD#, and TCK, TDI, TDO, TMS and TRST#. Most PCI-X signals are timing critical. These signals have length restrictions for propagation, setup, and hold requirements. Table 6 shows the PCI-X signals.

Table 6. PCI-X Signals

Timing Critical Signals	A PCI Bus Segment: A_ACK64#, A_AD[63:0], A_CBE_[7:0]#, A_DEVSEL#, A_FRAME#, A_GNT_[5:0]#, A_IRDY#, A_LOCK#, A_PAR64, A_REQ64#, A_REQ_[5:0]#, A_STOP#, A_TRDY#, A_CLKO[6:0], A_CLKI
Reset Signals	A PCI Bus Segment: A_RST#, A_PME#
Non Timing Critical Signals	A PCI Bus Segment: A_133EN, A_IRQ[15:0]#, A_M66EN, A_PCIXCAP, A_PERR#, A_SERR#

Table 7. PCI/PCI-X Frequency/Mode Straps

A_PCIXCAP	A_M66EN	A_133EN(on board)	Bus Mode/ Freq
0	0	X	PCI 33
0	1	X	PCI 66
PCI-X 66MHz cards connect this signal to ground through a 10KΩ ±5% resistor in parallel with a 0.01uF ±10% capacitor.	X	X	PCI-X 66
PCI-X 133 MHz cards connect PCIXCAP to ground through a 0.01uF ±10% capacitor.	X	0	PCI-X 100
PCI-X 133 MHz cards connect PCIXCAP to ground through a 0.01uF ±10% capacitor.	X	1	PCI-X 133

Note: All signals sampled on the rising edge of **PERST#**.

8.3.1 PCI Pullup Resistors Not Required

PCI control signals on the 41110 do NOT require pullup resistors on the adapter card to ensure that they contain stable values when no agent is actively driving the bus. These include:

A_ACK64#, A_AD[63:32], A_CBE#[7:4], A_DEVSEL#, A_FRAME#, A_INTA#, A_INTB#, A_INTC#, A_INTD#, A_IRDY#, A_PERR#, A_PAR, A_GNT#[5:0], A_REQ#[5:0], A_LOCK#, A_PAR64, A_REQ64#, A_SERR#, A_STOP#, and A_TRDY#

8.4 PCI Clock Layout Guidelines

The *PCI-X Addendum to the PCI Local Bus Specification*, Revision 1.0a compliant, allows a maximum of 0.5 ns clock skew timing for each of the PCI-X frequencies: 66 MHz, 100 MHz and 133 MHz. A typical PCI-X application may require separate clock point-to-point connections

distributed to each PCI device. The 41110 provides seven buffered clocks on the PCI bus to connect to multiple PCI-X devices. The Figure 16 shows the use of four PCI “A” clock outputs and length matching requirements. . The recommended clock buffer layout are specified as follows:

- Match each of the used the 41110 output clock lengths A_CLK[6:0] to within 0.1” to help keep the timing within the 0.5 ns maximum budget.
- Keep the distance between the clock lines and other signals “d” at least 25 mils from each other.
- Keep the distance between the clock line and itself “a” at a minimum of 25 mils apart (for serpentine clock layout).
- A_CLKIN gets connected to A_CLKO6 through a 22Ω +/- 1% resistor The 22 +/- 1% Ω resistor is within 500 mils of A_CLKO.

Figure 16. PCI Clock Distribution and Matching Requirements

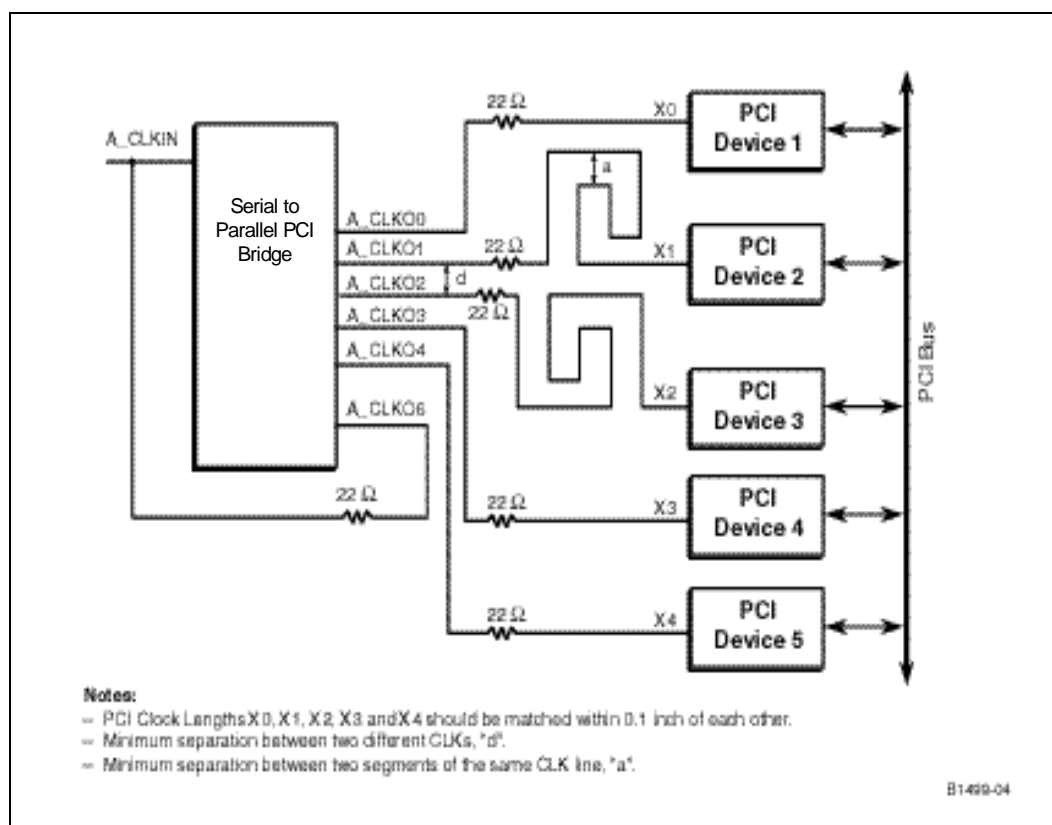


Table 8. PCI-X Clock Layout Requirements Summary

Parameter	Routing Guidelines
Signal Group	PCI Clocks A_CLK[6:0]
Reference Plane	Route over unbroken ground or power plane
Stripline Trace Width	4 mils
Stripline Trace Spacing: Separation between two different clock lines, "d" clock lines	25 mils center to center from any other signal
Stripline Trace Spacing: Separation between two segments of the same clock line (on serpentine layout), "a" dimension	25 mils center to center from any other signal
Stripline Trace Spacing: Separation between clocks and other lines	50 mils center to center from any other signal
Length Matching Requirements	All 41110 Output Clocks A_CLK[6:0] connected to devices must be length matched to 0.1 inch of each other.
	The clock feedback line lengths from A_CLKOUT to A_CLKIN should be length matched to all other clock lines within 0.1".
Total Length of the 41110 PCI CLKs on the adapter card	10" -14"
A_CLKIN Series Termination	Connect A_CLKIN to one end of a 22Ω +/- 1% resistor and the other end connected to A_CLKOUT
A_CLK[6:0] Series Termination	Each of the clock outputs A_CLKO[6:0] should have series 22Ω resistor located within 500 mils of the 41110 clock output.
Routing Guideline 1	Point to point signal routing should be used to keep the reflections low.
Routing Guideline 2	Minimize number of vias

8.5 PCI-X Topology Layout Guidelines

The *PCI-X Addendum to the PCI Local Bus Specification*, Revision 1.0a compliant, recommends the following guidelines for the number of loads for your PCI-X designs. Any deviation from these maximum values requires close attention to layout with regard to loading and trace lengths.

Table 9. PCI-X Slot Guidelines

Frequency	Maximum Loads	Maximum Number of Slots
66 MHz	8	4
100 MHz	4	2
133 MHz	2	1

8.6 41110 Layout Analysis

The following sections describes layout recommendations based on the signal integrity analysis. This analysis was conducted using the following parameters:

- Card stack up: 60 Ω +/- 15% single-ended impedance
- Driver Model 41110 IBIS
- Receiver Model: generic models for PCI-X and PCI
- Driver Package Model: 41110 Model
- Cross talk and ISI impact on timing were not modeled

8.6.1 Embedded PCI-X 133 MHz

This section lists the routing recommendations for PCI-X 133 MHz without a slot. Figure 17 shows the block diagram of this topology and Table 10 describes the routing recommendations.

Figure 17. Embedded PCI-X 133 MHz Topology

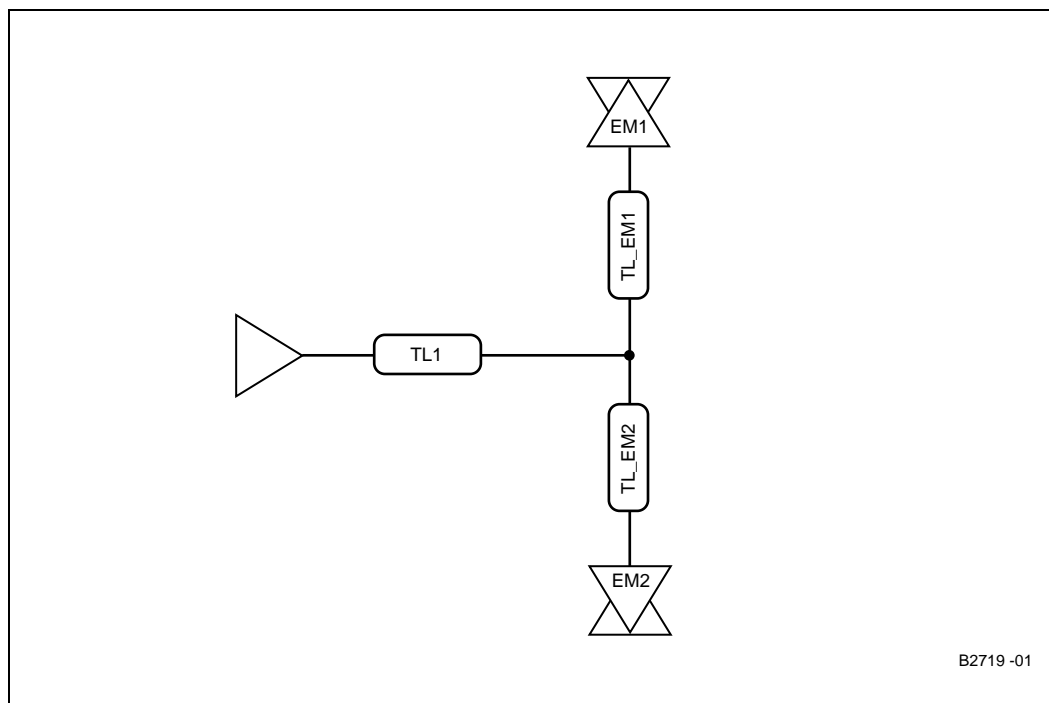


Table 10. Embedded PCI-X 133 MHz Routing Recommendations

Parameter	Routing Guideline for Lower AD Bus
Reference Plane	Route over an unbroken ground plane
Board Impedance	60 Ω +/- 15%
Stripline Trace Spacing	12 mils from edge to edge
Microstrip Trace Spacing	18 mils, from edge to edge
Break Out	5 mils on 5 mils spacing. Maximum length of breakout region can be 500 mils
Group Spacing	Spacing from other groups: 25 mils min, edge to edge
Trace Length 1 (TL1): From 41110 signal Ball to first junction	1.75" min - 4.0" max
Trace Length 3 junction of TL_EM1 and TL_EM2 to the embedded device	1.25" min - 3.25" max
Length Matching Requirements:	Clocks coming from the clock driver must be on the same layer and length matched to within 25 mils.
Number of vias	3 vias max per path

8.6.2 Embedded PCI-X 100 MHz

This section lists the embedded routing recommendations for PCI-X 100 MHz. Figure 18 shows the block diagram of this topology and Table 11 describes the routing recommendations.

Figure 18. Embedded PCI-X 100 MHz Topology

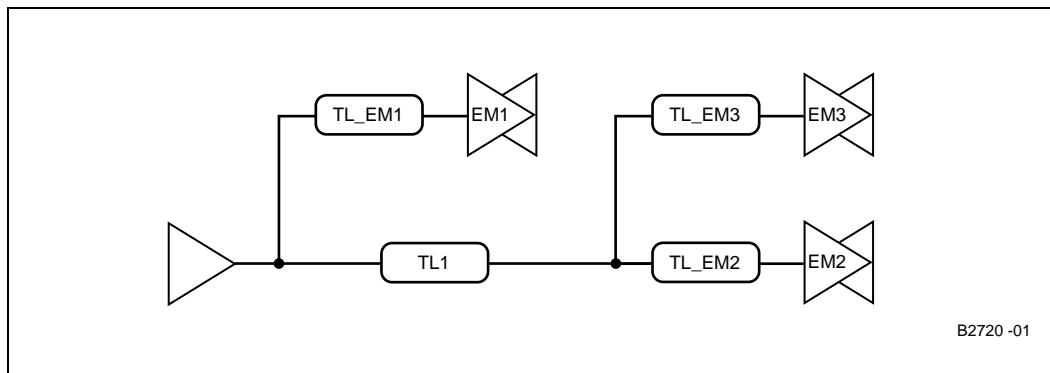


Table 11. Embedded PCI-X 100 MHz Routing Recommendations

Parameter	Routing Guideline for Lower AD Bus
Reference Plane	Route over an unbroken ground plane
Board Impedance	60 Ω +/- 15%
Stripline Trace Spacing	12 mils from edge to edge
Microstrip Trace Spacing	18 mils, from edge to edge
Break Out	5 mils on 5 mils spacing. Maximum length of breakout region can be 500 mils
Group Spacing	Spacing from other groups: 25 mils min, edge to edge
Trace Length 1 (TL1): From 41110 signal Ball to first junction	0.5" min - 3.0" max
Trace Length: TL_EM1: from 41110 signal ball to the first embedded device	2.5" min - 3.5" max
Trace Length TL_EM2 - TL_EM3: from junction to the embedded device	1.5" min - 3.5" max
Length Matching Requirements:	Clocks coming from the clock driver must be on the same layer and length matched to within 25 mils.
Number of vias	4 vias max per path

8.6.3 PCI-X 66 MHz Embedded Topology

Figure 19 and Table 12 provide routing details for a topology with an embedded PCI-X 66 MHz application.

Figure 19. PCI-X 66 MHz Embedded Routing Topology

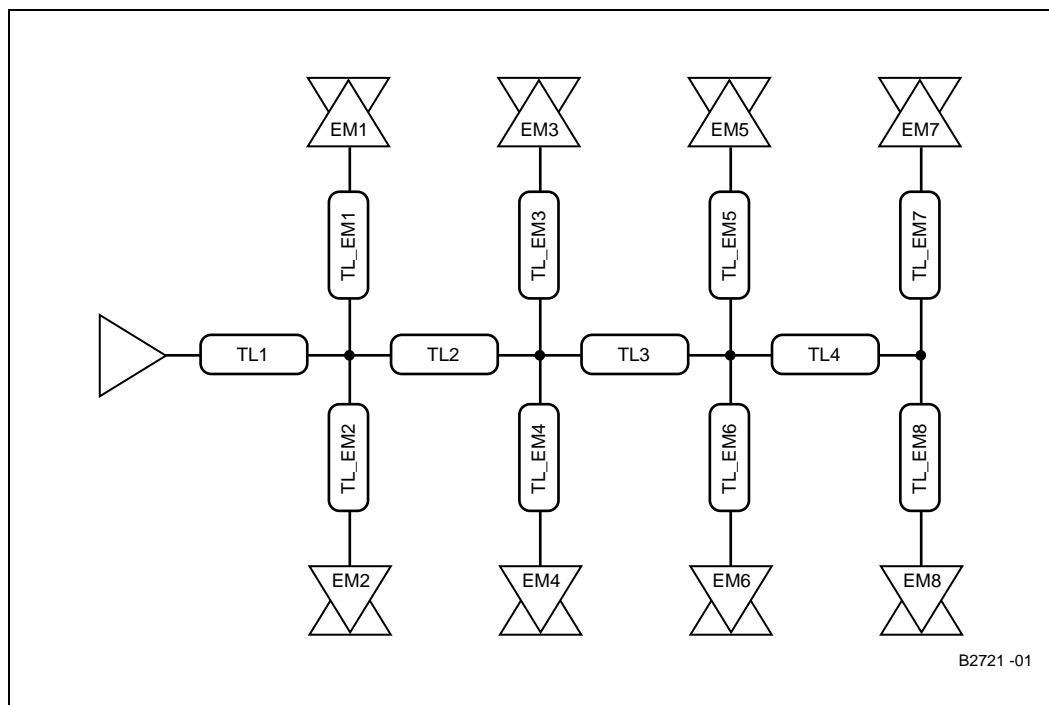


Table 12. PCI-X 66 MHz Embedded Routing Recommendations

Parameter	Routing Guideline for Lower AD Bus
Reference Plane	Route over an unbroken ground plane
Board Impedance	60 Ω +/- 15%
Stripline Trace Spacing	12 mils edge to edge
Microstrip Trace Spacing	18 mils, edge to edge
Break Out	5 mils on 5 mils. Maximum length of breakout region can be 500 mils
Group Spacing	Spacing from other groups: 25 mils min, edge to edge
Trace Length 1 (TL1): From 41110 signal Ball to first junction	1.0" - 5.0" max
Trace Length TL2 to TL4 - between junctions	1.0" min - 2.5" max
Trace Length TL_EM1 to TL_EM8 from junction connector to the embedded device	2.0" min - 3.0" max
Length Matching Requirements:	Clocks coming from the clock driver must be length matched to within 25 mils and routed identical in layers.
Number of vias	4 vias max.

8.6.4 PCI 66 MHz Embedded Topology

Figure 20 and Table 13 provide routing details for a topology with an embedded PCI 66 MHz design.

Figure 20. PCI 66 MHz Embedded Topology

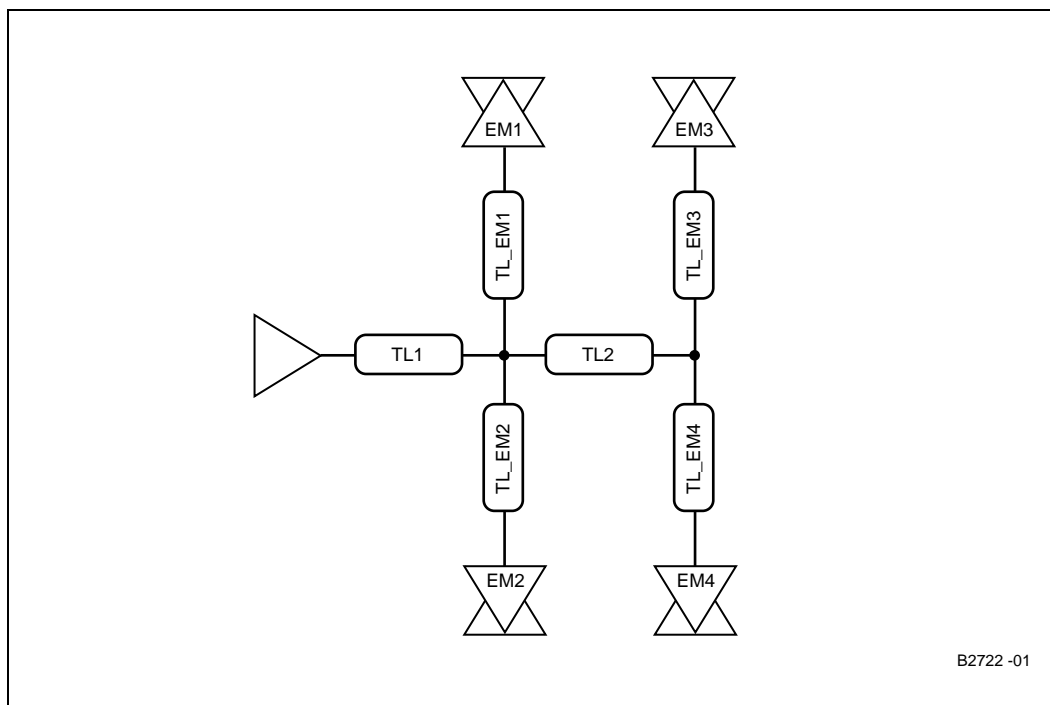


Table 13. PCI 66 MHz Embedded Table

Parameter	Routing Guideline for Lower AD Bus
Reference Plane	Route over an unbroken ground plane
Board Impedance	60 Ω +/- 15%
Microstrip Trace Spacing	18 mils center to center
Stripline Trace Spacing	12 mils center to center
Group Spacing	Spacing from other groups: 25 mils min, edge to edge
Breakout	5 mils on 5 mils spacing. Maximum length of breakout region can be 500 mils.
Trace Length 1 TL1: From 41110 signal Ball to first junction	5.0" max
Trace Length TL2 between junctions	0.5" min - 3.5" max
Trace Length TL_EM1 to TL_EM4 from junction to embedded devices	2.0" min - 3.0" max
Length Matching Requirements	Clocks coming from the clock driver must be length matched to within 25 mils.
Number of vias	4 vias max.

8.6.5 PCI 33 MHz Embedded Mode Topology

Figure 21 and Table 14 provide routing details for a topology with an embedded PCI 33 MHz design.

Figure 21. PCI 33 MHz Embedded Mode Routing Topology

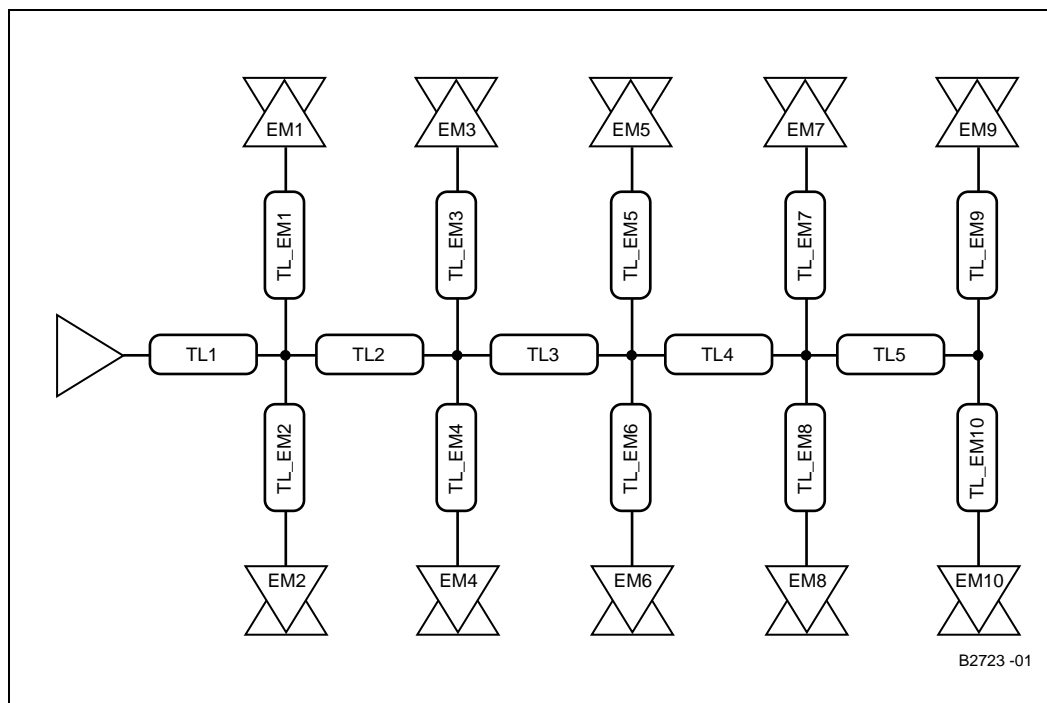


Table 14. PCI 33 MHz Embedded Routing Recommendations

Parameter	Routing Guideline for Lower AD Bus
Reference Plane	Route over an unbroken ground plane
Board Impedance	60 Ω +/- 15%
Stripline Trace Spacing	12 mils, edge to edge
Microstrip Trace Spacing	18 mils edge to edge
Group Spacing	Spacing from other groups: 25 mils min, edge to edge
Breakout	5 mils on 5 mils spacing. Maximum length of breakout region can be 500 mils.
Trace Length 1 TL1: From 41110 signal Ball to first junction	5.0" max
Trace Length TL2 to TL5 - between junctions	0.5" min - 3.5" max
Trace Length TL_EM1 to TL_EM10 from junction to embedded devices	2.0" min - 3.0" max
Length Matching Requirements	Clocks coming from the clock driver must be length matched to within 25 mils.

This section provides an overview of the PCI-Express stackup recommended based on Intel presimulation results. For additional information, refer to the *Intel® 41110 Serial to Parallel PCI Bridge Developer's Manual* or the *PCI Express Specification*, Revision 1.0 from the www.pcisig.com website.

9.1 General recommendations

PCI Express is a serial differential low-voltage point-to-point interconnect. The PCI Express was designed to support 20 inches between components with standard FR4. The 41110 supports x8 lanes. PCI-Express requires special considerations be made for interconnect losses, jitter, crosstalk and mode conversions. The below list provides some general guidelines for the layout of a PCI-Express trace:

1. **Jitter:** Trace lengths of a PCB trace can introduce around 1 to 5 ps of jitter and 0.35 to 0.5 dB of loss per inch of differential pair. An add-in card the trace length from edge-finger pad to device is limited to 3 inches.
2. **Matching within pair:** Trace lengths of matching differential pairs are required to be matched within +/-5 mil delta. Each net within a differential pair should be length matched on a segment-by-segment basis at point of discontinuity such as an breakout area, routes between vias, routes between AC coupling capacitors and connector pins.
3. **Trace Symmetry:** Trace Symmetry is required between two traces of the same differential pair.
4. **Vias:** Vias contribute 0.5 to 1.0 dB/via toward the loss budget. Vias on an add-in card should be limited to one near the breakout section of the pads and one near the edge finger.
5. **Bends:** Trace bends should be kept to a minimum. If bends are used they should be at a 45-degree angle or smaller. The number of left and right bends should be matched as closely as possible to even out the overall lengths of each segment of the differential pair.
6. **AC Coupling capacitors:** AC coupling capacitor with a value of 75nF to 200nF should line up at the same location from one trace to the other within the pair. The 0402 size capacitor with a small pad size is highly recommended. The breakout from the capacitor should be symmetrical for both signal traces in the differential pair.
7. **Connector pins:** Length compensation for the connector pins of the differential pair being offset from each other the PCB trace should be considered.
8. **Ground Plane Referencing:** Ground plane referencing is required along the entire route of the differential pair. Traces routed near the edge should maintain a 40 mil air gap to the edge. Layer switching should also maintain the ground plane. Grounds between planes should be connected with stitching vias (with one to three recommended per differential pair).
9. **Breakout Areas:** Breakout areas near a device package should be limited to 500 mils in lengths. The necking down to a smaller trace width should be symmetrical on the differential pair.

9.2 PCI-Express Layout Guidelines

The layout guidelines for PCI-Express were developed for an adapter card topologies. The models and assumptions used in development of these guidelines were as follows:

- Add-In Card Stackup: 60 Ω single-ended impedance
- Target Differential Impedance: 100 Ω +/- 20%.
- Driver Model: 41110 PCI-E IBIS
- Receiver Model: 41110 PCI-E IBIS. Specification model did not meet specifications
- Driver Package Model: Preliminary 41110 model.
- No receiver package model used since specification eye is at package pin.
- Assumed that traces in a lane could be routed totally on microstrip, totally on stripline, or a mixture of microstrip and stripline.
- AC coupling capacitors were modeled as a parasitic resistor and inductor in series.
- Add-in card was modeled as micro-strip routes only.
- No vias were modeled at this time.
- Only the receiver eye was evaluated. The next revision will evaluate the eye at the transmitter and connector as well as the receiver.

9.3 Adapter Card Layout Guidelines

Table 15. Adapter Card Routing Recommendations (Sheet 1 of 2)

Parameter	Routing Guidelines
Reference Plane	Route over an unbroken ground plane
Target Single Ended Impedance	60 Ω nominal
Target Differential Impedance	100 Ω +/- 20% Differential Impedance
Microstrip and Stripline Trace Width	4 mils
Microstrip Trace Spacing	Intrapair: 10 mils center-to-center Interpair: 30 mils center-to-center 22 mils. center to center (pair to pair). Transmit and Receive pairs should be interleaved. If no interleaving, then inter pair spacing should be increased to 50 mils (c2c). Center to center of inter pair is defined as center of Positive of one pair to Center of Negative of the next or vice versa
Group Spacing	Spacing from other groups: 25 mils minimum, center to center
Transmit Trace Length (41110 signal pin to AC coupling capacitor.)	0.25"- 5.0" max
Transmit Trace Length (AC coupling capacitor to card edge finger.)	1.00"- 4.5" max

Table 15. Adapter Card Routing Recommendations (Sheet 2 of 2)

Receive Trace Length (Card edge finger to 41110 receiver pin)	1.0" min - 6.0" max
Length Matching Requirements:	Total allowable intra-pair length mis-match must not exceed 25 mils. Each routing segment should be matched as close as possible. Total skew across all lanes must be less than 20 ns. See the PCI-Express Desktop Design Guidelines for additional routing requirements
Number of vias	4 max

This page intentionally left blank.

Circuit Implementations

10

This chapter describes 41110 circuit implementations.

10.1 41110 Analog Voltage Filters

The 41110 requires several external analog voltage filter circuits to be placed on the system board, three for the PCI interface, one for the PCI Express interface, and one for the bandgap voltage. The 41110 lists the recommended filter values for these filter circuits -- any one of the filter circuits can use any one of the four R, L and C combinations shown in [Table 16](#), except that configuration number 4 cannot be used for the PCI Express analog voltage filter.

Table 16. Recommended R, L and C Values for 41110 Analog Filter Circuits

Config	R	L	C
1	0.5Ω ±1% 1/16W	4.7uH ±25% PCI, PCI-E: 45mA Bandgap: 30mA	33uF ±20% 6.3V
2	0.5Ω ±1% 1/16W	4.7uH ±20 PCI, PCI-E: 45mA Bandgap: 30mA%	22uF ±20% 6.3V
3	0.5Ω ±1% 1/16W	4.7uH ±20% PCI, PCI-E: 45mA Bandgap: 30mA	2x10uF ±20% 6.3V
4 ^a	1.0Ω ±1% 1/16W	4.7uH ±20% PCI: 45mA Bandgap: 30mA	10uF ±20% 6.3V

a. Configuration number 4 cannot be used for the PCI Express analog voltage filter.

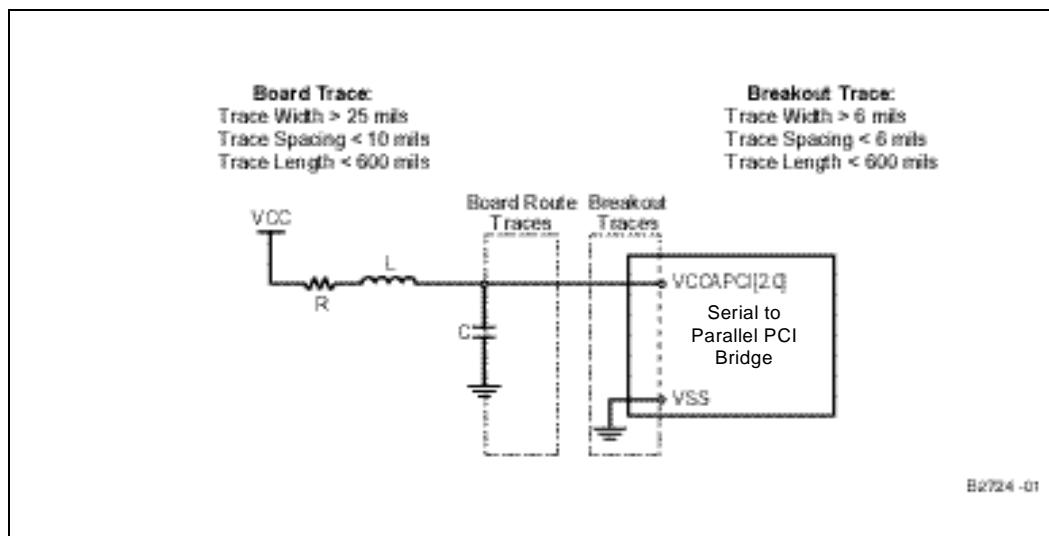
Additional Notes:

- L (Inductor)
 - L must be magnetically shielded
 - ESR: max < 0.4Ω
 - rated at 45mA (or 30mA for bandgap circuit only)
- C (Capacitor)
 - ESR: max < 0.5Ω
 - ESL < 3.0nH
- R (Resistor)
 - 1/16W

10.1.1 PCI Analog Voltage Filters

The following filter circuit is recommended for the PCI interface. Three separate, identical versions of this circuit should be placed on the system board, one for each **VCCAPCI[2:0]** pin on the 41110.

Figure 22. PCI Analog Voltage Filter Circuit



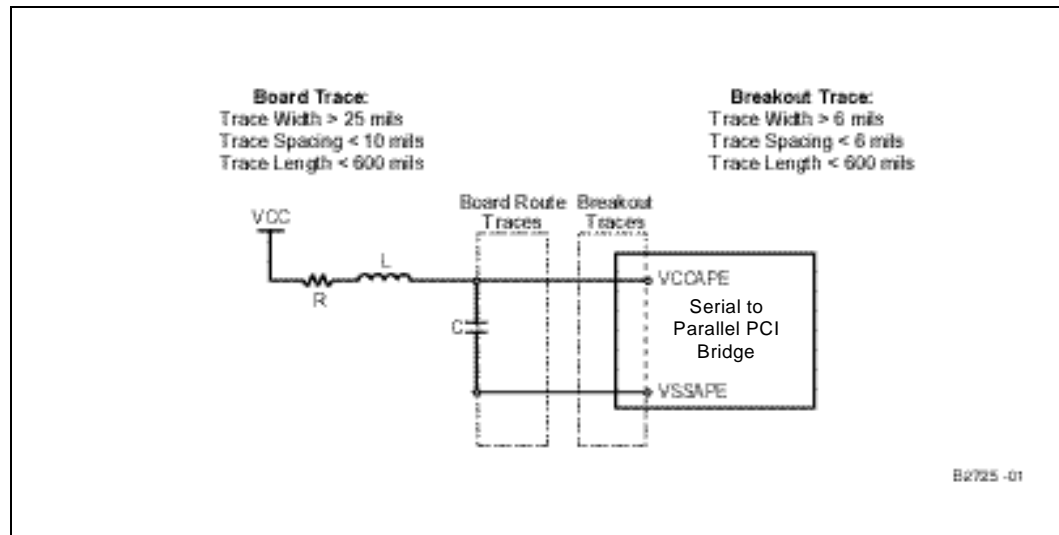
Note: Three of these PCI filter circuits must be placed on the system board, one for each of the **VCCAPCI[2:0]** pins on the 41110.

- Place C as close as possible to package pin.
- R must be placed between VCC15 and L.
- Route VCCPCI[x] and VSS as differential traces.
- VCCPCI[x] and VSS traces must be ground referenced (No VCC15 references).
- Max total board trace length = 1.2”.
- Min trace space to other nets = 30 mils.

10.1.2 PCI Express Analog Voltage Filter

Figure 23 shows the PCI Express Analog Voltage Circuit.

Figure 23. PCI Express Analog Voltage Filter Circuit



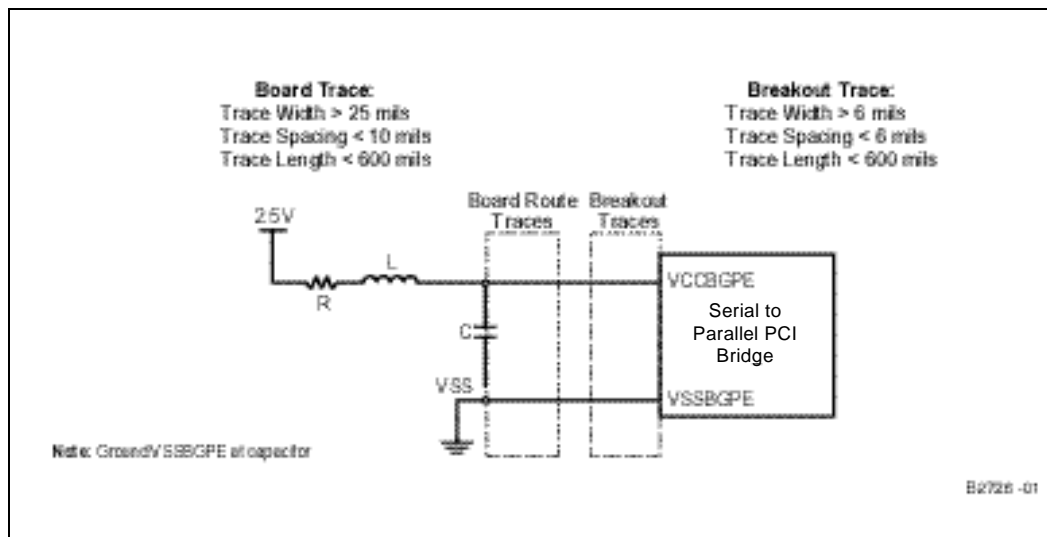
Additional Notes:

- Place C as close as possible to package pin.
- R must be placed between VCC15 and L.
- Route VCCAPE and VSSAPE as differential traces.
- VCCAPE and VSSAPE traces must be ground referenced (No VCC15 references).
- Max total board trace length = 1.2”.
- Min trace space to other nets = 30 mils.

10.1.3 Bandgap Analog Voltage Filter

Figure 24 shows the Bandgap Analog Voltage Filter Circuit.

Figure 24. Bandgap Analog Voltage Filter Circuit

**Additional Notes:**

- Place C as close as possible to package pin.
- R must be placed between the 2.5V supply and L.
- Route VCCBGPE and VSSBGPE as differential traces.
- VCCBGPE and VSSBGPE traces must be ground referenced (No 2.5V references).
- VSSBGPE should be grounded at the capacitor.
- Max total board trace length = 1.2”.
- Min trace space to other nets = 30 mils.

10.2 41110 Reference and Compensation Pins

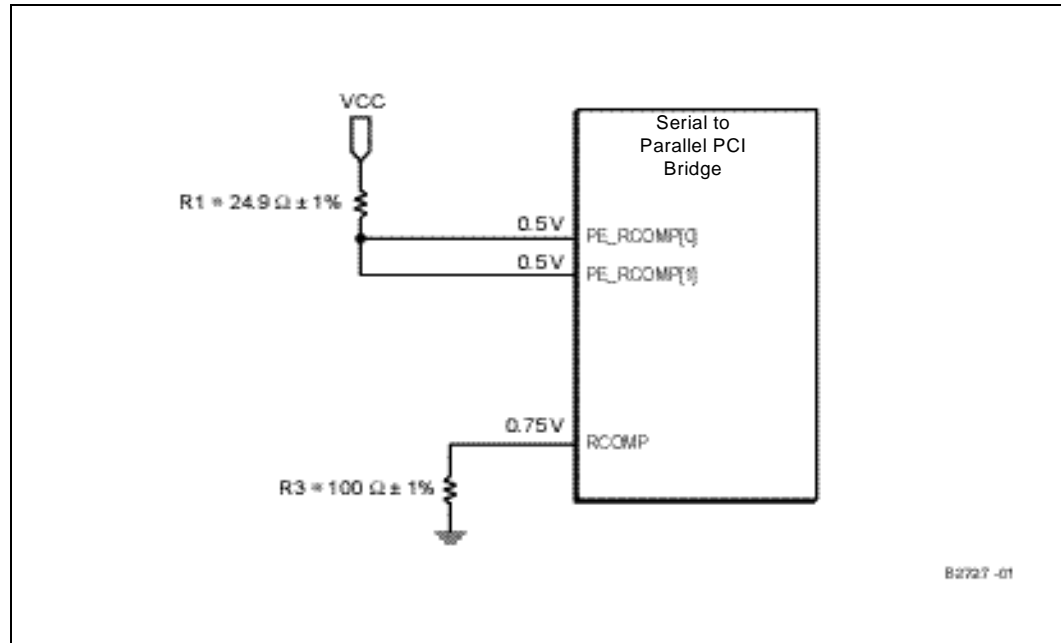
There are three compensation pins on 41110.

PE_RCOMP[1:0] are two separate pins that provide voltage compensation for the PCI Express interface on the 41110. The nominal compensation voltage is 0.5V. An external $24.9\Omega \pm 1\%$ pullup resistor should be used to connect to VCC15. A single pullup resistor can be used to for both of these signals.

RCOMP is an analog PCI interface compensation pin, providing 0.75V to the 41110. A $100\Omega \pm 1\%$ pulldown resistor should be used to connect the **RCOMP** pin to ground.

These implementations are shown in [Figure 25](#).

Figure 25. Reference and Compensation Circuit Implementations



10.2.1 SM Bus

The SMBus interface does not have configuration registers. The SMBus address is set by the states of pins **SMBUS[5]** and **SMBUS [3:1]** when **PERST#** is asserted as described in [Table 17](#).

Table 17. SMBUs Address Configuration

Bit	Value
7	1
6	1
5	SMBUS[5]
4	0
3	SMBUS[3]
2	SMBUS[2]
1	SMBUS[1]

Refer to [Section 2.4](#) for details on how to use the SMBus to initialize 41110 registers with a microcontroller.

This page intentionally left blank.

41110 Customer Reference Boards 11

This chapter describes the 41110 Customer Reference Board (CRB).

11.1 Board Stack-up

The proposed layout of the PCB is eight layers with the following stackup:

- Signal #1 (Top/Component Side)
- Ground Plane: GND
- Signal #2
- Power Plane
- Power Plane
- Signal #3
- Ground Plane
- Signal #4 (Bottom)

The permittivity constant $\epsilon_r = 4.5$

Table 18. CRB Board Stackup (Sheet 1 of 2)

Layer	Type	Thickness (mils)	Copper Weight
1	Signal	2.00	1/2 + plating
	Prepreg	4.50	
2	Plane: GND	1.20	1
	Core	4.80	
3	Signal	1.20	1
	Prepreg	14.00	
4	Plane: PWR	1.20	1
	Core	3.8	
5	Plane: PWR	1.20	1
	Prepreg	14.00	
6	Signal	1.20	1
	Core	4.80	
7	Plane: Power	1.20	1

Table 18. CRB Board Stackup (Sheet 2 of 2)

Layer	Type	Thickness (mils)	Copper Weight
1	Signal	2.00	1/2 + plating
	Prepreg	4.50	
2	Plane: GND	1.20	1
	Core	4.80	
3	Signal	1.20	1
	Prepreg	4.50	
8	Signal	2.00	1/2 + plating
Est. Total Thickness		62 +/- 7	

11.2 Material

The following materials are used with the 41110 CRB:

- FR-4, 0.062 in. +/- .007, 1.0 oz Copper Power/GND.
- Full length PCI Raw Card (3.3V Universal) 6.2" high x 7.00" long max with ½ inch cut away.

11.3 Impedance

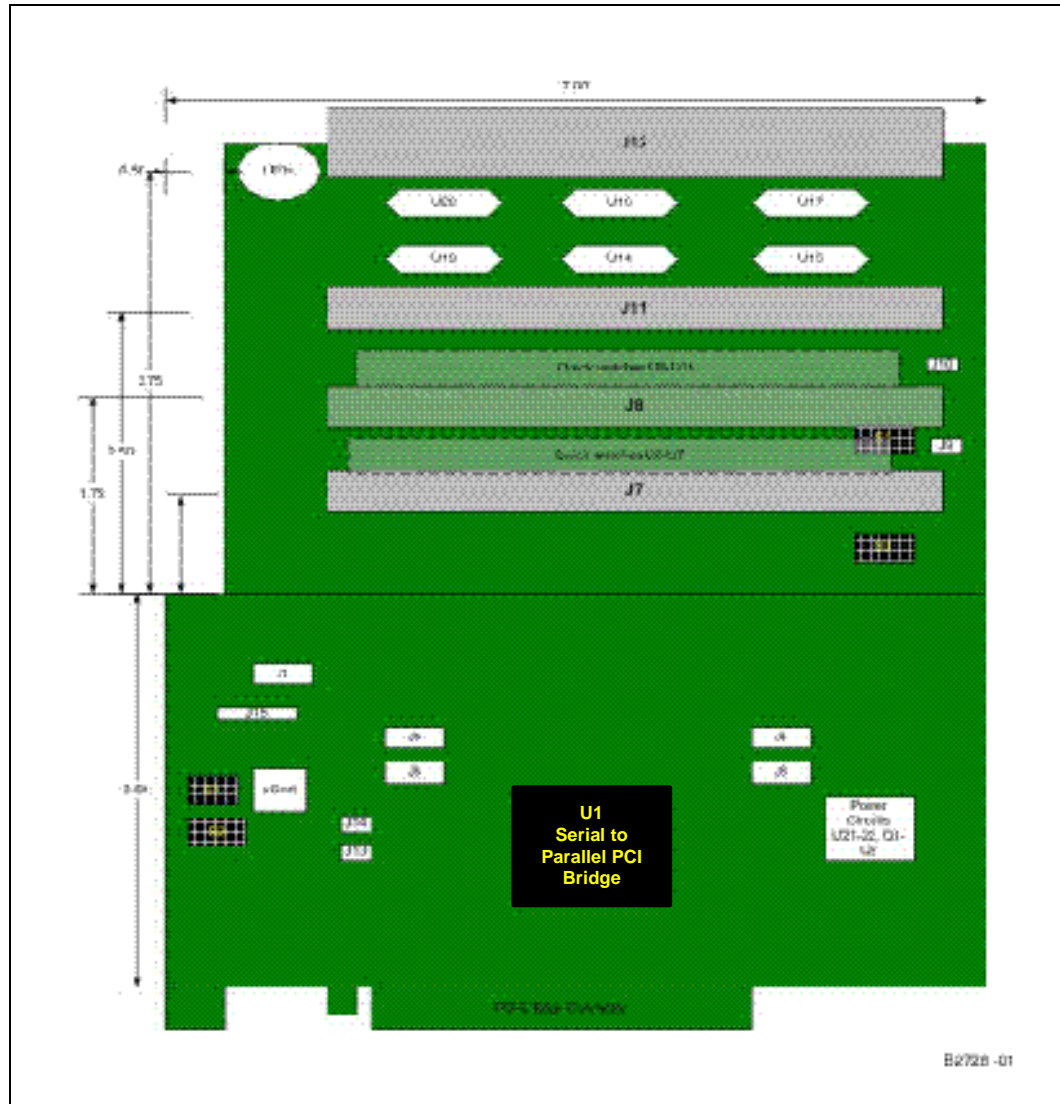
Most signal layers require controlled Impedance of 60Ω +/- 5% microstrip or stripline where appropriate.

Differential signals for the PCI-E interface require matched 100Ω differential termination realized as matched 50Ω resistances referenced to ground.

11.4 Board Outline

Figure 26 provides the mechanical outline of the 41110 CRB.

Figure 26. Mechanical Outline of the 41110



This page intentionally left blank.

This checklist highlights design considerations that should be reviewed prior to manufacturing an adapter card that implements the 41110 product. The items contained within this checklist attempt to address important connections to these devices and any critical supporting circuitry. This is not a complete list and does **not** guarantee that a design will function properly.

Table 19. PCI Express Interface Signals

Signals	Recommendations	Reason/Impact
REFCLKn, REFCLKp	Must be connected to clock from a PCI Express connector for add-in card designs or to a 100MHz oscillator for an embedded design.	
PE_RCOMP[1:0]	24.9Ω ±1% pullup resistor to 1.5V. A single resistor can be used for both signals. Place resistor as close as possible to REFCLKn, REFCLKp pins.	PCI Express compensation pin. 0.5V nominal.
PERP[7:0] PERN[7:0]	For X1 mode, only signals PERp[0] and PERn[0] or PERp[7] and PERn[7] are used. For X4 mode, only signals PERp[3:0] and PERn[3:0] are used. For X8 mode, all of these signals, PERp[7:0] and PERn[7:0], are used.	PCI Express data serial inputs (differential data receive signals).
PETP[7:0] PETN[7:0]	For X1 mode, only signals PETp[0] and PETn[0] or PETp[7] and PETn[7] are used. For X4 mode, only signals PETP[3:0] and PETN[3:0] are used. For X8 mode, all of these signals, PETP[7:0] and PETN[7:0], are used.	PCI Express data serial inputs (differential data transmit signals).

Table 20. PCI/PCI-X Interface Signals (Sheet 1 of 2)

Signals	Recommendations	Reason/Impact
A_AD[63:32] A_CBE[7:4]# A_DEVSEL# A_FRAME# A_IRDY# A_TRDY# A_STOP# A_PERR# A_SERR# A_REQ[5:0]# A_GNT[5:0]# A_LOCK# A_PAR A_PAR64 A_ACK64# A_REQ64#	No external pullup resistors required on system board.	41110 has internal pullup resistors on these signals. X_AD[31:0] and X_CBE#[3:0] signals do not require pullups according to the PCI Specification.
A_133EN	Only relevant when running in PCI-X Mode (X_PCIXCAP = 1). Determines the max PCI-X Mode 1 frequency for a particular segment (100 MHz or 133 MHz): 0 = 100 MHz PCI-X max frequency 1 = 133 MHz PCI-X max frequency Use an 8.2KΩ pullup resistor to VCC33. This resistor is located on the system board.	Sampled on the rising edge of PERST#.
A_INTA# A_INTB# A_INTC# A_INTD#	No pullup resistors required on these signals.	The 41110 has internal pullup resistors on these signals.

Table 20. PCI/PCI-X Interface Signals (Sheet 2 of 2)

Signals	Recommendations	Reason/Impact
A_M66EN	<p>Controls frequency of the PCI segment when running in conventional PCI mode (33 MHz or 66 MHz):</p> <p>0 = 33 MHz PCI 1 = 66 MHz PCI</p> <ul style="list-style-type: none"> Pull-up using a 8.2KΩ resistor when the PCI bus is to operate at 66 MHz and not already pulled up by system board. This signal is grounded for 33 MHz operation. 	<p>Sampled on the rising edge of PERST#.</p>
A_PCIXCAP	<p>Connects directly to the PCIXCAP pin on the PCI slot. Connect to VCC33 through an 8.2KΩ pullup resistor.</p>	<ul style="list-style-type: none"> Design without secondary PCI/PCI-X Slot <ul style="list-style-type: none"> If there is at least one legacy PCI device on the PCI/PCI-X bus, tie this pin directly to GND. If all devices are PCI-X capable and there is at least one PCI-X device that only supports maximum PCI-X 66MHz on the secondary PCI bus, pull down to GND through 10KΩ series resistor parallel with a 0.01μF capacitor. If all secondary PCI-X devices (and the bus loading) support PCI-X 133MHz, connect PCIXCAP to 3.3V through an 8.2K Ω resistor
IDSEL	<p>The series resistor on IDSEL should be 200Ω \pm5% if it is exclusively PCIX mode. If it is PCI mode or mixed PCI/ PCIX mode is intended, 510 ohms is recommended.</p>	

Table 21. Miscellaneous Signals

Signals	Recommendations	Reason/Impact
RSTIN#	<p>Used for debug purposes. Connect to VCC33 through an 8.2KΩ pullup resistor for normal operation.</p>	
A_STRAP0, A_STRAP1, A_STRAP2, A_STRAP6, RESERVED [8:1]	<p>These signals REQUIRE external pull-downs to GND on the board 8.2KΩ unless otherwise stated.</p>	

Table 21. Miscellaneous Signals

Signals	Recommendations	Reason/Impact
CFGRETRY	Input pin to configure 41110 to retry configuration accesses on it's PCI Express interface. <ul style="list-style-type: none"> To retry configuration accesses to the 41110, pull high to 3.3V through a 2K Ω resistor. To allow configuration accesses to the 41110, ground this pin through a 2K Ω resistor. 	
A_TEST1, A_TEST2, A_PME#, A_STRAP[3], A_STRAP[4], A_STRAP[5],	These signals REQUIRE an external pull-up, 8.2K Ω to 3.3V.	
CMODE	This signal requires an external pull-up, 8.2K Ω to 3.3V.	In normal operating mode, this pin must be tied high.

Table 22. SMBus Interface Signals

Signal	Recommendations	Reason/Impact
SMBCLK	Connect to VCC33 through an 8.2K Ω pullup resistor.	
SMBDAT	Connect to VCC33 through an 8.2K Ω pullup resistor.	
SMBUS[5], SMBUS[3:1]	SMBus addressing: Bit 7-----'1' Bit 6-----'1' Bit 5-----SMBUS[5] Bit 4-----'0' Bit 3-----SMBUS[3] Bit 2-----SMBUS[2] Bit 1-----SMBUS[1] Use 8.2K Ω resistors as pullups to VCC33 for a '1' and as pulldowns to ground for a '0' to set the SMBus address.	Sampled on the rising edge of PERST#.

Table 23. Reset Pins

Ballout	Pin Name	Usage
E6	STRAP_V_1	Pull up to VCC33
B5	STRAP_V_2	Pull up to VCC33
B3	STRAP_V_3	Pull up to VCC33
A3	STRAP_V_4	Pull up to VCC33
B4	STRAP_V_5	Pull up to VCC33
D4	STRAP_V_6	Pull up to VCC33
F5	STRAP_V_7	Pull up to VCC33
P2	STRAP_V_8	Pull up to VCC33
C3	STRAP_V_9	Pull up to VCC33
D1	STRAP_V_10	Pull up to VCC33
U1	STRAP_V_11	Pull up to VCC33
D7	STRAP_V_12	Pull up to VCC33
U10	STRAP_V_13	Pull up to VCC33
R5	STRAP_V_14	Pull up to VCC33
A19	STRAP_V_15	Pull down to GND

Table 24. Power and Ground Signals

Signal	Recommendations	Reason/Impact
RCOMP	100Ω ±1% (1/4 W) pulldown resistor to ground. The trace impedance of this signal should be < 0.1Ω.	Analog compensation pin for PCI. 0.75V nominal.
VCC15	Connect to 1.5V power supply. <i>Note:</i> Linear voltage regulators are recommended when using 1.5 Volt power supplies. Decoupling: 5 0.1uF caps beneath package (backside of board) 2 1.0 uF caps as close as design rules permit to package 3 10 uF caps as close as design rules permit to package	1.5V ±5% core voltage.
VCC33	Connect to 3.3V power supply. Decoupling: TBD The platform must insure that the VCC33 voltage rail be greater than to (or no less than 0.5V below) VCC15 (absolute voltage value at all times during 41110 operation, including during system power up, power down or any other time during system operation. This can be accomplished by placing a diode (with a voltage drop < 0.5V) between VCC15 and VCC33. Anode will be connected to VCC15 and cathode will be connected to VCC33.	3.3V ±5% PCI I/O voltage.
VCCAPE	Connect to 1.5V power supply.	1.5V ±3% Analog PCI Express voltage.
VCCAPCI[2:0]	See Figure 22 for circuit.	Analog PCI voltage pins.
VCCBGPE	Voltage output of the bandgap filter circuit into 41110, separated from the rest of the VCC15s. See Figure 24 for circuit.	2.5V ±3% PCI Express voltage.
VCCPE	Connect to 1.5V power supply. Decoupling: <ul style="list-style-type: none"> • 3 0.1uF caps beneath package (backside of board) • 4 1.0 uF caps as close as design rules permit to package • 2 10 uF caps as close as design rules permit to package 	1.5V ±3% PCI Express voltage.
VSS	Connect to ground.	Ground reference for all supplies.
VSSAPE	See Figure 23 for circuit.	Analog ground for PCI Express.
VSSBGPE	Ground for the bandgap filter circuit, separated from the rest of the VSSs. See Figure 24 for circuit.	Ground for analog bandgap voltage.

Table 25. JTAG Signals

Signal	Recommendations	Reason/Impact
TCK	If not used for JTAG, leave as No Connect	Internal pull-up
TDI	If not used for JTAG, leave as No Connect	Internal pull-up
TDO	If not used for JTAG, leave as No Connect	Internal pull-up
TMS	If not used for JTAG, leave as No Connect	Internal pull-up
TRST#	Connect to ground via a 1K Ω pulldown resistor.	If TAP interface is not used this should be tied to ground.

This page intentionally left blank.

Free Manuals Download Website

<http://myh66.com>

<http://usermanuals.us>

<http://www.somanuals.com>

<http://www.4manuals.cc>

<http://www.manual-lib.com>

<http://www.404manual.com>

<http://www.luxmanual.com>

<http://aubethermostatmanual.com>

Golf course search by state

<http://golfingnear.com>

Email search by domain

<http://emailbydomain.com>

Auto manuals search

<http://auto.somanuals.com>

TV manuals search

<http://tv.somanuals.com>