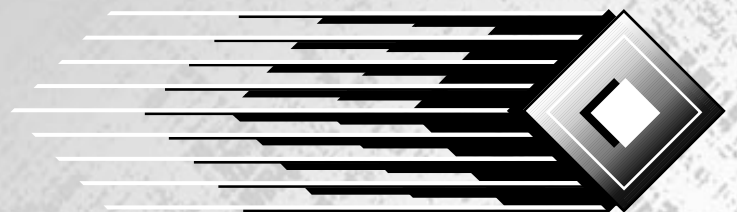


87C196CB Supplement to 8XC196NT User's Manual



intel®



87C196CB Supplement to 8XC196NT User's Manual

August 2004

Order Number: 272787-003

Information in this document is provided in connection with Intel products. No license, express or implied, by estoppel or otherwise, to any intellectual property rights is granted by this document. Except as provided in Intel's Terms and Conditions of Sale for such products, Intel assumes no liability whatsoever, and Intel disclaims any express or implied warranty, relating to sale and/or use of Intel products including liability or warranties relating to fitness for a particular purpose, merchantability, or infringement of any patent, copyright or other intellectual property right. Intel products are not intended for use in medical, life saving, or life sustaining applications.

Intel may make changes to specifications and product descriptions at any time, without notice.

Designers must not rely on the absence or characteristics of any features or instructions marked "reserved" or "undefined." Intel reserves these for future definition and shall have no responsibility whatsoever for conflicts or incompatibilities arising from future changes to them.

The 87C196CB and 8XC196NT microprocessors may contain design defects or errors known as errata which may cause the products to deviate from published specifications. Current characterized errata are available on request.

Contact your local Intel sales office or your distributor to obtain the latest specifications and before placing your product order.

Copies of documents which have an ordering number and are referenced in this document, or other Intel literature may be obtained by calling 1-800-548-4725 or by visiting Intel's website at <http://www.intel.com>.

Copyright © Intel Corporation, 1998, 2004

*Third-party brands and names are the property of their respective owners.

CHAPTER 1

GUIDE TO THIS MANUAL

1.1 MANUAL CONTENTS 1-1
 1.2 RELATED DOCUMENTS 1-2

CHAPTER 2

ARCHITECTURAL OVERVIEW

2.1 DEVICE FEATURES 2-1
 2.2 BLOCK DIAGRAM 2-2
 2.3 INTERNAL TIMING 2-2

CHAPTER 3

MEMORY PARTITIONS

3.1 MEMORY MAP, SPECIAL-FUNCTION REGISTERS, AND WINDOWING 3-1

CHAPTER 4

STANDARD AND PTS INTERRUPTS

4.1 INTERRUPT SOURCES, VECTORS, AND PRIORITIES 4-1

CHAPTER 5

I/O PORTS

5.1 PORT 0 AND EPORT 5-1

CHAPTER 6

ANALOG-TO-DIGITAL (A/D) CONVERTER

6.1 ADDITIONAL A/D INPUT CHANNELS 6-1

CHAPTER 7

CAN SERIAL COMMUNICATIONS CONTROLLER

7.1 CAN FUNCTIONAL OVERVIEW 7-1
 7.2 CAN CONTROLLER SIGNALS AND REGISTERS 7-3
 7.3 CAN CONTROLLER OPERATION 7-4
 7.3.1 Address Map 7-5
 7.3.2 Message Objects 7-5
 7.3.2.1 Receive and Transmit Priorities 7-6
 7.3.2.2 Message Acceptance Filtering 7-6
 7.3.3 Message Frames 7-7
 7.3.4 Error Detection and Management Logic 7-9
 7.3.5 Bit Timing 7-10
 7.3.5.1 Bit Timing Equations 7-12
 7.4 CONFIGURING THE CAN CONTROLLER 7-13
 7.4.1 Programming the CAN Control (CAN_CON) Register 7-13
 7.4.2 Programming the Bit Timing 0 (CAN_BTTIME0) Register 7-15
 7.4.3 Programming the Bit Timing 1 (CAN_BTTIME1) Register 7-16

7.4.4	Programming a Message Acceptance Filter	7-17
7.5	CONFIGURING MESSAGE OBJECTS	7-20
7.5.1	Specifying a Message Object's Configuration	7-21
7.5.2	Programming the Message Object Identifier	7-22
7.5.3	Programming the Message Object Control Registers	7-23
7.5.3.1	Message Object Control Register 0	7-23
7.5.3.2	Message Object Control Register 1	7-23
7.5.4	Programming the Message Object Data	7-23
7.6	ENABLING THE CAN INTERRUPTS	7-29
7.7	DETERMINING THE CAN CONTROLLER'S INTERRUPT STATUS	7-32
7.8	FLOW DIAGRAMS	7-35
7.9	DESIGN CONSIDERATIONS	7-41
7.9.1	Hardware Reset	7-41
7.9.2	Software Initialization	7-41
7.9.3	Bus-off State	7-41

CHAPTER 8**SPECIAL OPERATING MODES**

8.1	CLOCK CIRCUITRY	8-1
-----	-----------------------	-----

CHAPTER 9**INTERFACING WITH EXTERNAL MEMORY**

9.1	ADDRESS PINS	9-1
9.2	BUS TIMING MODES	9-1

CHAPTER 10**PROGRAMMING THE NONVOLATILE MEMORY**

10.1	SIGNATURE WORD AND PROGRAMMING VOLTAGES	10-1
10.2	MEMORY MAP FOR SLAVE PROGRAMMING MODE	10-1
10.3	MEMORY MAP AND CIRCUIT FOR AUTO PROGRAMMING	10-2
10.4	MEMORY MAP FOR SERIAL PORT PROGRAMMING	10-3
10.4.1	Selecting Bank 0 (FF2000–FF7FFF)	10-4
10.4.2	Selecting Bank 1 (FF8000–FFFFF)	10-4

APPENDIX A**SIGNAL DESCRIPTIONS**

A.1	FUNCTIONAL GROUPINGS OF SIGNALS	A-1
A.2	SIGNAL DESCRIPTIONS	A-3
A.3	DEFAULT CONDITIONS	A-14

GLOSSARY**INDEX**

FIGURES

Figure	Page
2-1	87C196CB Block Diagram.....2-2
2-2	Clock Circuitry2-3
2-3	Internal Clock Phases2-4
2-4	Effect of Clock Mode on CLKOUT Frequency.....2-5
4-1	Interrupt Mask 1 (INT_MASK1) Register.....4-2
4-2	interrupt Pending 1 (INT_PEND1) Register.....4-2
5-1	Port x Pin Input (Px_PIN) Register5-1
5-2	Extended Port I/O Direction (EP_DIR) Register5-2
5-3	Extended Port Mode (EP_MODE) Register5-2
5-4	Extended Port Input (EP_PIN) Register5-3
5-5	Extended Port Data Output (EP_REG) Register5-3
6-1	A/D Command (AD_COMMAND) Register6-2
6-2	A/D Result (AD_RESULT) Register — Read Format.....6-3
7-1	A System Using CAN Controllers7-1
7-2	CAN Controller Block Diagram.....7-2
7-3	CAN Message Frames7-7
7-4	A Bit Time as Specified by the CAN Protocol.....7-10
7-5	A Bit Time as Implemented in the CAN Controller7-11
7-6	CAN Control (CAN_CON) Register7-13
7-7	CAN Bit Timing 0 (CAN_BTIME0) Register.....7-15
7-8	CAN Bit Timing 1 (CAN_BTIME1) Register.....7-16
7-9	CAN Standard Global Mask (CAN_SGMSK) Register7-18
7-10	CAN Extended Global Mask (CAN_EGMSK) Register7-19
7-11	CAN Message 15 Mask (CAN_MSK15) Register.....7-20
7-12	CAN Message Object x Configuration (CAN_MSGxCFG) Register.....7-21
7-13	CAN Message Object x Identifier (CAN_MSGxID0–3) Register7-22
7-14	CAN Message Object x Control 0 (CAN_MSGxCON0) Register7-24
7-15	CAN Message Object x Control 1 (CAN_MSGxCON1) Register7-26
7-16	CAN Message Object Data (CAN_MSGxDATA0–7) Registers.....7-28
7-17	CAN Control (CAN_CON) Register.....7-29
7-18	CAN Message Object x Control 0 (CAN_MSGxCON0) Register7-31
7-19	CAN Interrupt Pending (CAN_INT) Register7-32
7-20	CAN Status (CAN_STAT) Register7-33
7-21	CAN Message Object x Control 0 (CAN_MSGxCON0) Register7-34
7-22	Receiving a Message for Message Objects 1–14 — CPU Flow7-36
7-23	Receiving a Message for Message Object 15 — CPU Flow7-37
7-24	Receiving a Message — CAN Controller Flow.....7-38
7-25	Transmitting a Message — CPU Flow7-39
7-26	Transmitting a Message — CAN Controller Flow.....7-40
8-1	Clock Circuitry8-1
9-1	Modes 0 and 3 Timings9-2
9-2	Chip Configuration 1 (CCR1) Register9-3
10-1	Auto Programming Circuit10-3
A-1	87C196CB 84-pin PLCC Package A-2

FIGURES

Figure		Page
A-2	87C196CB 100-pin QFP Package	A-3

TABLES

Table	Page
1-1	Related Documents 1-2
2-1	Features of the 8XC196NT and 87C196CB 2-1
2-2	State Times at Various Frequencies 2-4
2-3	Relationships Between Input Frequency, Clock Multiplier, and State Times 2-5
3-1	Register File Memory Addresses 3-1
3-2	87C196CB Memory Map 3-2
3-3	87C196CB Peripheral SFRs 3-3
3-4	CAN Peripheral SFRs 3-4
3-5	Selecting a Window of Peripheral SFRs 3-6
3-6	Selecting a Window of the Upper Register File 3-7
3-7	Selecting a Window of Upper Register RAM 3-8
3-8	Windows 3-9
3-9	WSR Settings and Direct Addresses for Windowable SFRs 3-11
4-1	Interrupt Sources, Vectors, and Priorities 4-1
5-1	87C196CB Input/Output Ports 5-1
6-1	A/D Converter Pins 6-1
7-1	CAN Controller Signals 7-3
7-2	Control and Status Registers 7-3
7-3	CAN Controller Address Map 7-5
7-4	Message Object Structure 7-6
7-5	Effect of Masking on Message Identifiers 7-7
7-6	Standard Message Frame 7-8
7-7	Extended Message Frame 7-8
7-8	CAN Protocol Bit Time Segments 7-10
7-9	CAN Controller Bit Time Segments 7-11
7-10	Bit Timing Relationships 7-12
7-11	Bit Timing Requirements for Synchronization 7-17
7-12	Control Register Bit-pair Interpretation 7-23
7-13	Cross-reference for Register Bits Shown in Flowcharts 7-35
7-14	Register Values Following Reset 7-41
9-1	Modes 0 and 3 Timing Comparisons 9-1
10-1	Signature Word and Programming Voltages 10-1
10-2	Slave Programming Mode Memory Map 10-2
10-3	Auto Programming Memory Map 10-2
10-4	Serial Port Programming Mode Memory Map 10-4
A-1	87C196CB Signals Arranged by Functional Categories A-1
A-2	Description of Columns of Table A-3 A-4
A-3	Signal Descriptions A-4
A-4	Definition of Status Symbols A-14
A-5	87C196CB Pin Status A-14



1

Guide to This Manual

CHAPTER 1

GUIDE TO THIS MANUAL

This document is a supplement to the *8XC196NT Microcontroller User's Manual*. It describes the differences between the 87C196CB and the 8XC196NT. For information not found in this supplement, please consult the *8XC196NT Microcontroller User's Manual* (order number 272317) or the 87C196CB datasheet (*87C196CA/87C196CB 20 MHz Advanced 16-Bit CMOS Microcontroller with Integrated CAN 2.0*, order number 272405).

1.1 MANUAL CONTENTS

This supplement contains several chapters, an appendix, a glossary, and an index. This chapter, Chapter 1, provides an overview of the supplement. This section summarizes the contents of the remaining chapters and appendixes. The remainder of this chapter provides references to related documentation.

Chapter 2 — Architectural Overview — compares the features of the 87C196CB with those of the 8XC196NT and describes the 87C196CB's internal clock circuitry.

Chapter 3 — Memory Partitions — describes the addressable memory space of the 84-pin and 100-pin 87C196CB, lists the peripheral special-function registers (SFRs), and provides tables of WSR values for windowing higher memory into the lower register file for direct access.

Chapter 4 — Standard and PTS Interrupts — describes the additional interrupts for the CAN (controller area network) peripheral and the SFRs that support those interrupts.

Chapter 5 — I/O Ports — describes the port 0 and EPORT differences for the 100-pin 87C196CB. Both port 0 and the EPORT are implemented as eight-bit ports on the 100-pin 87C196CB, but as four-bit ports (like the 8XC196NT) on the 84-pin 87C196CB.

Chapter 6 — Analog-to-digital (A/D) Converter — illustrates the SFRs that are affected by the implementation of port 0 as an eight-bit port.

Chapter 7 — CAN Serial Communications Controller — describes the 87C196CB's integrated CAN controller and explains how to configure it. This integrated peripheral is similar to Intel's standalone 82527 CAN serial communications controller, supporting both the standard and extended message frames specified by the CAN 2.0 protocol parts A and B.

Chapter 8 — Special Operating Modes — illustrates the clock control circuitry of the 87C196CB.

Chapter 9 — Interfacing with External Memory — discusses differences in the bus timing modes supported by the 8XC196NT and the 87C196CB.

Chapter 10 — Programming the Nonvolatile Memory — describes the memory maps and recommended circuits to support programming of the 87C196CB's 56 Kbytes of OTPROM.

Appendix A — Signal Descriptions — describes the additional signals implemented on the 87C196CB.

Glossary — defines terms with special meaning used throughout this supplement.

Index — lists key topics with page number references.

1.2 RELATED DOCUMENTS

Table 1-1 lists additional documents that you may find useful in designing systems incorporating the 87C196CB microcontroller.

Table 1-1. Related Documents

Title and Description	Order Number
<i>8XC196NT Microcontroller User's Manual</i>	272317
<i>Automotive Products handbook</i>	231792
<i>87C196CB 20 MHz Advanced 16-Bit CHMOS Microcontroller with Integrated CAN 2.0 (datasheet)</i>	272405



2

Architectural Overview

CHAPTER 2

ARCHITECTURAL OVERVIEW

This chapter describes architectural differences between the 87C196CB and the 8XC196NT. Both the 8XC196NT and the 87C196CB are designed for high-speed calculations and fast I/O. With the addition of the CAN (controller area network) peripheral, the 87C196CB reduces point-to-point wiring requirements, making it well-suited to automotive and factory automation applications.

The 87C196CB is available in either an 84-pin or a 100-pin package. The 84-pin 87C196CB, like the 8XC196NT, has up to 20 external address lines, enabling access to 1 Mbyte of linear address space. The 100-pin 87C196CB has four additional pins available for external address lines. With all 24 external address lines connected, the 100-pin 87C196CB can access 16 Mbytes of linear address space.

2.1 DEVICE FEATURES

Table 2-1 lists the features of the 8XC196NT and the 87C196CB. The 87C196CB implements more OTPROM, more register RAM, four additional A/D channels, and the CAN peripheral. The 100-pin 87C196CB also implements four additional EPORT pins.

Table 2-1. Features of the 8XC196NT and 87C196CB

Device	Pins	OTPROM	Register RAM †	Code/Data RAM (bytes)	I/O Pins	EPA Pins	SIO/SSIO Ports	A/D Channels	External Interrupt Pins	EPORT Pins	CAN Pins
8XC196NT	68	0 or 32 K	1 K	512	56	10	2	4	1	4	0
87C196CB	84	56 K	1.5 K	512	56	10	2	8	1	4	2
87C196CB	100	56 K	1.5 K	512	60	10	2	8	1	8	2

† Register RAM amount includes the 24 bytes allocated to the core SFRs and stack pointer.

2.2 BLOCK DIAGRAM

Figure 2-1 shows the major blocks within the device. The 8XC196NT and 87C196CB have the same peripheral set with the exception of the CAN (controller area network) peripheral, which is unique to the 87C196CB. The CAN peripheral manages communications between multiple network nodes. This integrated peripheral is similar to Intel's standalone 82527 CAN serial communications controller, supporting both the standard and extended message frames specified by the CAN 2.0 protocol parts A and B.

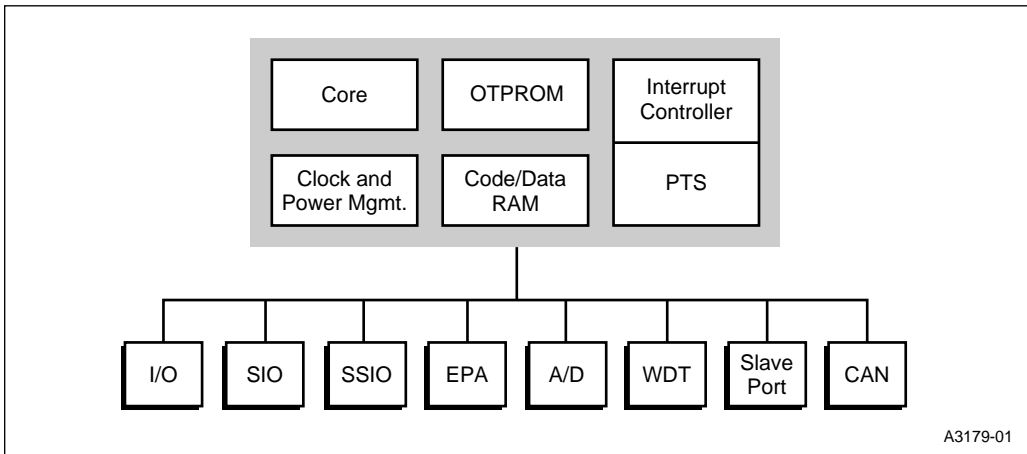


Figure 2-1. 87C196CB Block Diagram

2.3 INTERNAL TIMING

The 87C196CB's clock circuitry (Figure 2-2) implements phase-locked loop and clock multiplier circuitry, which can substantially increase the CPU clock rate while using a lower-frequency input clock. The clock circuitry accepts an input clock signal on XTAL1 provided by an external crystal or oscillator. Depending on the value of the PLEN pin, this frequency is routed either through the phase-locked loop and multiplier or directly to the divide-by-two circuit. The multiplier circuitry can quadruple the input frequency (F_{XTAL1}) before the frequency (f) reaches the divide-by-two circuitry. The clock generators accept the divided input frequency ($f/2$) from the divide-by-two circuit and produce two nonoverlapping internal timing signals, PH1 and PH2. These signals are active when high.

NOTE

This manual uses lowercase "f" to represent the internal clock frequency. For the 87C196CB, f is equal to either F_{XTAL1} or $4F_{XTAL1}$, depending on the clock multiplier mode, which is controlled by the PLEN input pin.

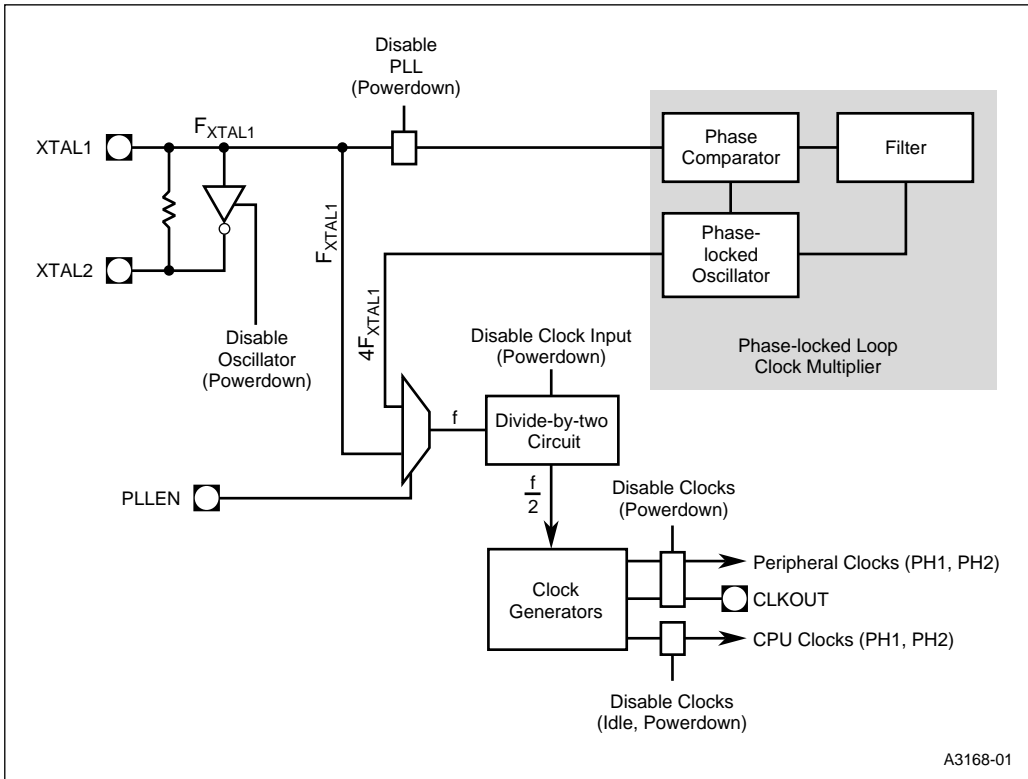


Figure 2-2. Clock Circuitry

The rising edges of PH1 and PH2 generate the internal CLKOUT signal (Figure 2-3). The clock circuitry routes separate internal clock signals to the CPU and the peripherals to provide flexibility in power management. It also outputs the CLKOUT signal on the CLKOUT pin. Because of the complex logic in the clock circuitry, the signal on the CLKOUT pin is a delayed version of the internal CLKOUT signal. This delay varies with temperature and voltage.

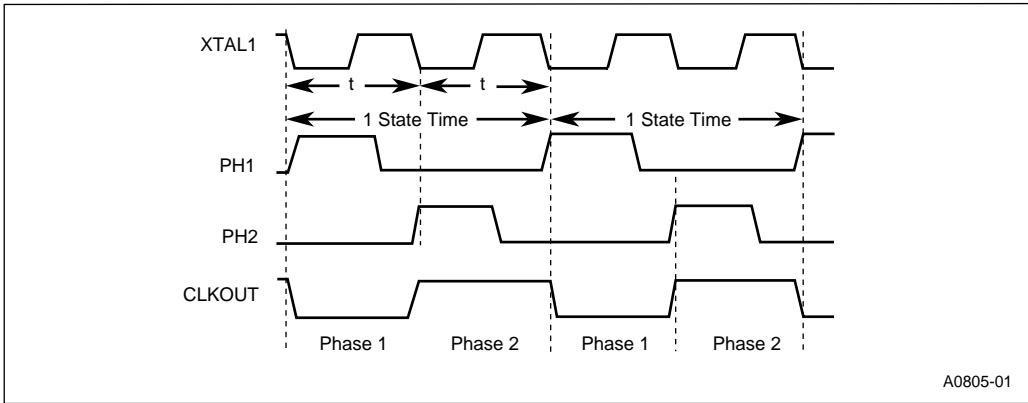


Figure 2-3. Internal Clock Phases

The combined period of phase 1 and phase 2 of the internal CLKOUT signal defines the basic time unit known as a *state time* or *state*. Table 2-2 lists state time durations at various frequencies.

Table 2-2. State Times at Various Frequencies

f (Frequency Input to the Divide-by-two Circuit)	State Time
8 MHz	250 ns
12 MHz	167 ns
16 MHz	125 ns
20 MHz	100 ns

The following formulas calculate the frequency of PH1 and PH2, the duration of a state time, and the duration of a clock period (t).

$$PH1 \text{ (in MHz)} = \frac{f}{2} = PH2 \qquad \text{State Time (in } \mu\text{s)} = \frac{2}{f} \qquad t = \frac{1}{f}$$

Because the device can operate at many frequencies, this manual defines time requirements (such as instruction execution times) in terms of state times rather than specific measurements. Datasheets list AC characteristics in terms of clock periods (t; sometimes called T_{osc}).

Figure 2-4 illustrates the timing relationships between the input frequency (F_{XTAL1}), the operating frequency (f), and the CLKOUT signal with each PLEN pin configuration. Table 2-3 details the relationships between the input frequency (F_{XTAL1}), the PLEN pin, the operating frequency (f), the clock period (t), and state times.

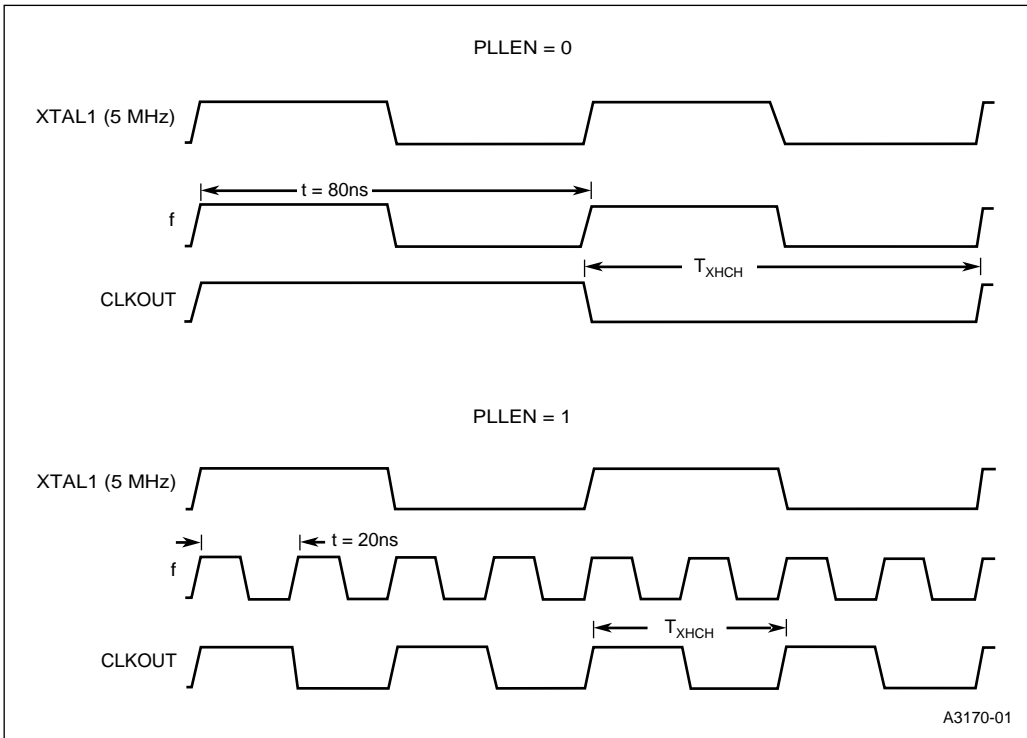


Figure 2-4. Effect of Clock Mode on CLKOUT Frequency

Table 2-3. Relationships Between Input Frequency, Clock Multiplier, and State Times

F_{XTAL1} (Frequency on XTAL1)	PLLEN	Multiplier	f (Input Frequency to the Divide-by-two Circuit)	t (Clock Period)	State Time
4 MHz	0	1	4 MHz	250 ns	500 ns
5 MHz	0	1	5 MHz	200 ns	400 ns
8 MHz	0	1	8 MHz	125 ns	250 ns
12 MHz	0	1	12 MHz	83.5 ns	167 ns
16 MHz	0	1	16 MHz	62.5 ns	125 ns
20 MHz	0	1	20 MHz	50 ns	100 ns
4 MHz	1	4	16 MHz	62.5 ns	125 ns
5 MHz	1	4	20 MHz	50 ns	100 ns



3

Memory Partitions

CHAPTER 3 MEMORY PARTITIONS

This chapter describes the differences in the address space of the 87C196CB from that of the 8XC196NT. The 87C196CB has 56 Kbytes of one-time-programmable read-only memory (OTPROM), while the 8XC196NT is available with 32 Kbytes. The 87C196CB also has an additional 512 bytes of register RAM.

The 87C196CB is available in either an 84-pin or a 100-pin package. The 84-pin 87C196CB, like the 8XC196NT, has up to 20 external address lines, enabling access to 1 Mbyte of linear address space. The 100-pin 87C196CB has four additional pins available for external address lines. With all 24 external address lines connected (A23:16 and AD15:0), the 100-pin 87C196CB can access 16 Mbytes of linear address space.

3.1 MEMORY MAP, SPECIAL-FUNCTION REGISTERS, AND WINDOWING

Table 3-1 compares the register file addresses of the 8XC196NT and 87C196CB. Table 3-2 is a memory map of the 87C196CB. Table 3-3 lists the 87C196CB's peripheral SFRs (these are the same as those of the 8XC196NT). Table 3-4 lists the CAN peripheral SFRs, which are unique to the 87C196CB. Tables 3-5 through 3-9 provide the information necessary to window higher memory into the lower register file for direct access.

Table 3-1. Register File Memory Addresses

Device and Hex Address Range		Description	Addressing Modes
CB	NT		
1DFF 1C00	—	Register RAM	Indirect, indexed, or windowed direct
03FF 0100	03FF 0100	Upper register file (register RAM)	Indirect, indexed, or windowed direct
00FF 001A	00FF 001A	Lower register file (register RAM)	Direct, indirect, or indexed
0019 0018	0019 0018	Lower register file (stack pointer)	Direct, indirect, or indexed
0017 0000	0017 0000	Lower register file (CPU SFRs)	Direct, indirect, or indexed

Table 3-2. 87C196CB Memory Map

Hex Address	Description	Addressing Modes
FFFFFF FF2080	Program memory (After a device reset, the first instruction fetch is from FF2080H) †	Indirect, indexed, extended
FF207F FF2000	Special purpose memory †	Indirect, indexed, extended
FF1FFF FF0600	External device (memory or I/O) connected to address/data bus	Indirect, indexed, extended
FF05FF FF0400	Internal code and data RAM (mapped identically into pages FFH and 00H)	Indirect, indexed, extended
FF03FF FF0100	External device (memory or I/O) connected to address/data bus	Indirect, indexed, extended
FF00FF FF0000	Reserved ††	Indirect, indexed, extended
FEFFFF 0F0000	100-pin 87C196CB: External device (memory or I/O) 84-pin 87C196CB: Overlaid memory ††	Indirect, indexed, extended
0EFFFF 010000	External device (memory or I/O) connected to address/data bus	Indirect, indexed, extended
00FFFF 002000	External device or remapped OTPROM †††	Indirect, indexed, extended
001FFF 001FE0	Memory-mapped SFRs	Indirect, indexed, extended
001FDF 001F00	Peripheral SFRs	Indirect, indexed, extended, windowed direct
001EFF 001E00	CAN SFRs	Indirect, indexed, extended
001DFF 001C00	Internal register RAM	Indirect, indexed, windowed direct
001BFF 000600	External device (memory or I/O) connected to address/data bus; future SFR expansion	Indirect, indexed, extended
0005FF 000400	Internal code and data RAM (mapped identically into pages 00H and FFH)	Indirect, indexed, extended
0003FF 000100	Upper register file (register RAM)	Indirect, indexed, windowed direct
0000FF 000000	Lower register file (register RAM, stack pointer, CPU SFRs)	Direct, indirect, indexed

† For the 87C196CB, the program and special-purpose memory locations (FF2000-FFFFFFFH) can reside either in external memory or in internal OTPROM.

†† Locations xF0000-xF00FFH are reserved for in-circuit emulators. Do not use these locations except to initialize them. Except as otherwise noted, initialize unused program memory locations and reserved memory locations to FFH.

††† These locations can be either external memory (CCB2.2=0) or a copy of the OTPROM (CCB2.2=1).

Table 3-3. 87C196CB Peripheral SFRs

Ports 0, 1, 2, and 6 SFRs			Timer 1, Timer 2, and EPA SFRs		
Address	High (Odd) Byte	Low (Even) Byte	Address	High (Odd) Byte	Low (Even) Byte
1FDEH	Reserved	Reserved	†1F9EH	TIMER2 (H)	TIMER2 (L)
1FDCH	Reserved	Reserved	1F9CH	Reserved	T2CONTROL
1FDAH	Reserved	P0_PIN	†1F9AH	TIMER1 (H)	TIMER1 (L)
1FD8H	Reserved	Reserved	1F98H	Reserved	T1CONTROL
1FD6H	P6_PIN	P1_PIN	1F96H	Reserved	Reserved
1FD4H	P6_REG	P1_REG	1F94H	Reserved	Reserved
1FD2H	P6_DIR	P1_DIR	1F92H	Reserved	Reserved
1FD0H	P6_MODE	P1_MODE	1F90H	Reserved	Reserved
1FCEH	P2_PIN	Reserved	EPA SFRs		
1FCCH	P2_REG	Reserved	Address	High (Odd) Byte	Low (Even) Byte
1FCAH	P2_DIR	Reserved	†1F8EH	COMP1_TIME (H)	COMP1_TIME (L)
1FC8H	P2_MODE	Reserved	1F8CH	Reserved	COMP1_CON
1FC6H	Reserved	Reserved	†1F8AH	COMP0_TIME (H)	COMP0_TIME (L)
1FC4H	Reserved	Reserved	1F88H	Reserved	COMP0_CON
1FC2H	Reserved	Reserved	†1F86H	EPA9_TIME (H)	EPA9_TIME (L)
1FC0H	Reserved	Reserved	1F84H	Reserved	EPA9_CON
SIO and SSIO SFRs			†1F82H	EPA8_TIME (H)	EPA8_TIME (L)
Address	High (Odd) Byte	Low (Even) Byte	1F80H	Reserved	EPA8_CON
1FBEH	Reserved	Reserved	†1F7EH	EPA7_TIME (H)	EPA7_TIME (L)
1FBCH	SP_BAUD (H)	SP_BAUD (L)	1F7CH	Reserved	EPA7_CON
1FBAH	SP_CON	SBUF_TX	†1F7AH	EPA6_TIME (H)	EPA6_TIME (L)
1FB8H	SP_STATUS	SBUF_RX	1F78H	Reserved	EPA6_CON
1FB6H	Reserved	Reserved	†1F76H	EPA5_TIME (H)	EPA5_TIME (L)
1FB4H	Reserved	SSIO_BAUD	1F74H	Reserved	EPA5_CON
1FB2H	SSIO1_CON	SSIO1_BUF	†1F72H	EPA4_TIME (H)	EPA4_TIME (L)
1FB0H	SSIO0_CON	SSIO0_BUF	1F70H	Reserved	EPA4_CON
A/D SFRs			†1F6EH	EPA3_TIME (H)	EPA3_TIME (L)
Address	High (Odd) Byte	Low (Even) Byte	†1F6CH	EPA3_CON (H)	EPA3_CON (L)
1FAEH	AD_TIME	AD_TEST	†1F6AH	EPA2_TIME (H)	EPA2_TIME (L)
1FACH	Reserved	AD_COMMAND	1F68H	Reserved	EPA2_CON
1FAAH	AD_RESULT (H)	AD_RESULT (L)	†1F66H	EPA1_TIME (H)	EPA1_TIME (L)
EPA Interrupt SFRs			†1F64H	EPA1_CON (H)	EPA1_CON (L)
Address	High (Odd) Byte	Low (Even) Byte	†1F62H	EPA0_TIME (H)	EPA0_TIME (L)
1FA8H	Reserved	EPAIPV	1F60H	Reserved	EPA0_CON
1FA6H	Reserved	EPA_PEND1			
1FA4H	Reserved	EPA_MASK1			
†1FA2H	EPA_PEND (H)	EPA_PEND (L)			
†1FA0H	EPA_MASK (H)	EPA_MASK (L)			

† Must be addressed as a word.

Table 3-4. CAN Peripheral SFRs

Message 15			Message 11		
Addr	High (Odd) Byte	Low (Even) Byte	Addr	High (Odd) Byte	Low (Even) Byte
1EFEH	Reserved	CAN_MSG15DATA7	1EBEH	Reserved	CAN_MSG11DATA7
1EFCH	CAN_MSG15DATA6	CAN_MSG15DATA5	1EBCH	CAN_MSG11DATA6	CAN_MSG11DATA5
1EFAH	CAN_MSG15DATA4	CAN_MSG15DATA3	1EBAH	CAN_MSG11DATA4	CAN_MSG11DATA3
1EF8H	CAN_MSG15DATA2	CAN_MSG15DATA1	1EB8H	CAN_MSG11DATA2	CAN_MSG11DATA1
1EF6H	CAN_MSG15DATA0	CAN_MSG15CFG	1EB6H	CAN_MSG11DATA0	CAN_MSG11CFG
1EF4H	CAN_MSG15ID3	CAN_MSG15ID2	1EB4H	CAN_MSG11ID3	CAN_MSG11ID2
1EF2H	CAN_MSG15ID1	CAN_MSG15ID0	1EB2H	CAN_MSG11ID1	CAN_MSG11ID0
1EF0H	CAN_MSG15CON1	CAN_MSG15CON0	1EB0H	CAN_MSG11CON1	CAN_MSG11CON0
Message 14			Message 10		
Addr	High (Odd) Byte	Low (Even) Byte	Addr	High (Odd) Byte	Low (Even) Byte
1EEEH	Reserved	CAN_MSG14DATA7	1EAEH	Reserved	CAN_MSG10DATA7
1EECH	CAN_MSG14DATA6	CAN_MSG14DATA5	1EACH	CAN_MSG10DATA6	CAN_MSG10DATA5
1EEAH	CAN_MSG14DATA4	CAN_MSG14DATA3	1EAAH	CAN_MSG10DATA4	CAN_MSG10DATA3
1EE8H	CAN_MSG14DATA2	CAN_MSG14DATA1	1EA8H	CAN_MSG10DATA2	CAN_MSG10DATA1
1EE6H	CAN_MSG14DATA0	CAN_MSG14CFG	1EA6H	CAN_MSG10DATA0	CAN_MSG10CFG
1EE4H	CAN_MSG14ID3	CAN_MSG14ID2	1EA4H	CAN_MSG10ID3	CAN_MSG10ID2
1EE2H	CAN_MSG14ID1	CAN_MSG14ID0	1EA2H	CAN_MSG10ID1	CAN_MSG10ID0
1EE0H	CAN_MSG14CON1	CAN_MSG14CON0	1EA0H	CAN_MSG10CON1	CAN_MSG10CON0
Message 13			Message 9		
Addr	High (Odd) Byte	Low (Even) Byte	Addr	High (Odd) Byte	Low (Even) Byte
1EDEH	Reserved	CAN_MSG13DATA7	1E9EH	Reserved	CAN_MSG9DATA7
1EDCH	CAN_MSG13DATA6	CAN_MSG13DATA5	1E9CH	CAN_MSG9DATA6	CAN_MSG9DATA5
1EDAH	CAN_MSG13DATA4	CAN_MSG13DATA3	1E9AH	CAN_MSG9DATA4	CAN_MSG9DATA3
1ED8H	CAN_MSG13DATA2	CAN_MSG13DATA1	1E98H	CAN_MSG9DATA2	CAN_MSG9DATA1
1ED6H	CAN_MSG13DATA0	CAN_MSG13CFG	1E96H	CAN_MSG9DATA0	CAN_MSG9CFG
1ED4H	CAN_MSG13ID3	CAN_MSG13ID2	1E94H	CAN_MSG9ID3	CAN_MSG9ID2
1ED2H	CAN_MSG13ID1	CAN_MSG13ID0	1E92H	CAN_MSG9ID1	CAN_MSG9ID0
1ED0H	CAN_MSG13CON1	CAN_MSG13CON0	1E90H	CAN_MSG9CON1	CAN_MSG9CON0
Message 12			Message 8		
Addr	High (Odd) Byte	Low (Even) Byte	Addr	High (Odd) Byte	Low (Even) Byte
1ECEH	Reserved	CAN_MSG12DATA7	1E8EH	Reserved	CAN_MSG8DATA7
1ECCH	CAN_MSG12DATA6	CAN_MSG12DATA5	1E8CH	CAN_MSG8DATA6	CAN_MSG8DATA5
1ECAH	CAN_MSG12DATA4	CAN_MSG12DATA3	1E8AH	CAN_MSG8DATA4	CAN_MSG8DATA3
1EC8H	CAN_MSG12DATA2	CAN_MSG12DATA1	1E88H	CAN_MSG8DATA2	CAN_MSG8DATA1
1EC6H	CAN_MSG12DATA0	CAN_MSG12CFG	1E86H	CAN_MSG8DATA0	CAN_MSG8CFG
1EC4H	CAN_MSG12ID3	CAN_MSG12ID2	1E84H	CAN_MSG8ID3	CAN_MSG8ID2
1EC2H	CAN_MSG12ID1	CAN_MSG12ID0	1E82H	CAN_MSG8ID1	CAN_MSG8ID0
1EC0H	CAN_MSG12CON1	CAN_MSG12CON0	1E80H	CAN_MSG8CON1	CAN_MSG8CON0

Table 3-4. CAN Peripheral SFRs (Continued)

Message 7			Message 3 and Bit Timing 0		
Addr	High (Odd) Byte	Low (Even) Byte	Addr	High (Odd) Byte	Low (Even) Byte
1E7EH	Reserved	CAN_MSG7DATA7	1E3EH	CAN_BTIME0 [†]	CAN_MSG3DATA7
1E7CH	CAN_MSG7DATA6	CAN_MSG7DATA5	1E3CH	CAN_MSG3DATA6	CAN_MSG3DATA5
1E7AH	CAN_MSG7DATA4	CAN_MSG7DATA3	1E3AH	CAN_MSG3DATA4	CAN_MSG3DATA3
1E78H	CAN_MSG7DATA2	CAN_MSG7DATA1	1E38H	CAN_MSG3DATA2	CAN_MSG3DATA1
1E76H	CAN_MSG7DATA0	CAN_MSG7CFG	1E36H	CAN_MSG3DATA0	CAN_MSG3CFG
1E74H	CAN_MSG7ID3	CAN_MSG7ID2	1E34H	CAN_MSG3ID3	CAN_MSG3ID2
1E72H	CAN_MSG7ID1	CAN_MSG7ID0	1E32H	CAN_MSG3ID1	CAN_MSG3ID0
1E70H	CAN_MSG7CON1	CAN_MSG7CON0	1E30H	CAN_MSG3CON1	CAN_MSG3CON0
Message 6			Message 2		
Addr	High (Odd) Byte	Low (Even) Byte	Addr	High (Odd) Byte	Low (Even) Byte
1E6EH	Reserved	CAN_MSG6DATA7	1E2EH	Reserved	CAN_MSG2DATA7
1E6CH	CAN_MSG6DATA6	CAN_MSG6DATA5	1E2CH	CAN_MSG2DATA6	CAN_MSG2DATA5
1E6AH	CAN_MSG6DATA4	CAN_MSG6DATA3	1E2AH	CAN_MSG2DATA4	CAN_MSG2DATA3
1E68H	CAN_MSG6DATA2	CAN_MSG6DATA1	1E28H	CAN_MSG2DATA2	CAN_MSG2DATA1
1E66H	CAN_MSG6DATA0	CAN_MSG6CFG	1E26H	CAN_MSG2DATA0	CAN_MSG2CFG
1E64H	CAN_MSG6ID3	CAN_MSG6ID2	1E24H	CAN_MSG2ID3	CAN_MSG2ID2
1E62H	CAN_MSG6ID1	CAN_MSG6ID0	1E22H	CAN_MSG2ID1	CAN_MSG2ID0
1E60H	CAN_MSG6CON1	CAN_MSG6CON0	1E20H	CAN_MSG2CON1	CAN_MSG2CON0
Message 5 and Interrupts			Message 1		
Addr	High (Odd) Byte	Low (Even) Byte	Addr	High (Odd) Byte	Low (Even) Byte
1E5EH	CAN_INT	CAN_MSG5DATA7	1E1EH	Reserved	CAN_MSG1DATA7
1E5CH	CAN_MSG5DATA6	CAN_MSG5DATA5	1E1CH	CAN_MSG1DATA6	CAN_MSG1DATA5
1E5AH	CAN_MSG5DATA4	CAN_MSG5DATA3	1E1AH	CAN_MSG1DATA4	CAN_MSG1DATA3
1E58H	CAN_MSG5DATA2	CAN_MSG5DATA1	1E18H	CAN_MSG1DATA2	CAN_MSG1DATA1
1E56H	CAN_MSG5DATA0	CAN_MSG5CFG	1E16H	CAN_MSG1DATA0	CAN_MSG1CFG
1E54H	CAN_MSG5ID3	CAN_MSG5ID2	1E14H	CAN_MSG1ID3	CAN_MSG1ID2
1E52H	CAN_MSG5ID1	CAN_MSG5ID0	1E12H	CAN_MSG1ID1	CAN_MSG1ID0
1E50H	CAN_MSG5CON1	CAN_MSG5CON0	1E10H	CAN_MSG1CON1	CAN_MSG1CON0
Message 4 and Bit Timing 1			Mask, Control, and Status		
Addr	High (Odd) Byte	Low (Even) Byte	Addr	High (Odd) Byte	Low (Even) Byte
1E4EH	CAN_BTIME1 [†]	CAN_MSG4DATA7	1E0EH	CAN_MSK15	CAN_MSK15
1E4CH	CAN_MSG4DATA6	CAN_MSG4DATA5	1E0CH	CAN_MSK15	CAN_MSK15
1E4AH	CAN_MSG4DATA4	CAN_MSG4DATA3	1E0AH	CAN_EGMSK	CAN_EGMSK
1E48H	CAN_MSG4DATA2	CAN_MSG4DATA1	1E08H	CAN_EGMSK	CAN_EGMSK
1E46H	CAN_MSG4DATA0	CAN_MSG4CFG	1E06H	CAN_SGMSK	CAN_SGMSK
1E44H	CAN_MSG4ID3	CAN_MSG4ID2	1E04H	Reserved	Reserved
1E42H	CAN_MSG4ID1	CAN_MSG4ID0	1E02H	Reserved	Reserved
1E40H	CAN_MSG4CON1	CAN_MSG4CON0	1E00H	CAN_STAT	CAN_CON [†]

[†] The CCE bit in the control register (CAN_CON) must be set to enable write access to the bit timing registers (CAN_BTIME0 and CAN_BTIME1).

Table 3-5. Selecting a Window of Peripheral SFRs

Peripheral	WSR Value for 32-byte Window (00E0–00FFH)	WSR Value for 64-byte Window (00C0–00FFH)	WSR Value for 128-byte Window (0080–00FFH)
Ports 0, 1, 2, 6	7EH	3FH	1FH
A/D converter, EPA interrupts	7DH	3EH	
EPA compare 0–1, capture/compare 8–9, timers	7CH		
EPA capture/compare 0–7	7BH	3DH	1EH
CAN messages 14–15	77H	3BH	1DH
CAN messages 12–13	76H		
CAN messages 10–11	75H		
CAN messages 8–9	74H	3AH	
CAN messages 6–7	73H	39H	1CH
CAN messages 4–5, bit timing 1, interrupts	72H		
CAN messages 2–3, bit timing 0	71H		
CAN message 1, control, status, mask	70H	38H	

Table 3-6. Selecting a Window of the Upper Register File

Register RAM Locations	WSR Value for 32-byte Window (00E0–00FFH)	WSR Value for 64-byte Window (00C0–00FFH)	WSR Value for 128-byte Window (0080–00FFH)
03E0–03FFH	5FH	2FH	17H
03C0–03DFH	5EH		
03A0–03BFH	5DH		
0380–039FH	5CH		
0360–037FH	5BH	2DH	16H
0340–035FH	5AH		
0320–033FH	59H		
0300–031FH	58H		
02E0–02FFH	57H	2BH	15H
02C0–02DFH	56H		
02A0–02BFH	55H		
0280–029FH	54H		
0260–027FH	53H	29H	14H
0240–025FH	52H		
0220–023FH	51H		
0200–021FH	50H		
01E0–01FFH	4FH	27H	13H
01C0–01DFH	4EH		
01A0–01BFH	4DH		
0180–019FH	4CH		
0160–017FH	4BH	25H	12H
0140–015FH	4AH		
0120–013FH	49H		
0100–011FH	48H		

Table 3-7. Selecting a Window of Upper Register RAM

Register RAM Locations	WSR Value for 32-byte Window (00E0–00FFH)	WSR Value for 64-byte Window (00C0–00FFH)	WSR Value for 128-byte Window (0080–00FFH)
0DE0–0DFFH	6FH	37H	1BH
0DC0–0DDFH	6EH		
0DA0–0DBFH	6DH	36H	
0D80–0D9FH	6CH		
0D60–0D7FH	6BH	35H	1AH
0D40–0D5FH	6AH		
0D20–0D3FH	69H	34H	
0D00–0D1FH	68H		
0CE0–0CFFH	67H	33H	19H
0CC0–0CDFH	66H		
0CA0–0CBFH	65H	32H	
0C80–0C9FH	64H		
0C60–0C7FH	63H	31H	18H
0C40–0C5FH	62H		
0C20–0C3FH	61H	30H	
0C00–0C1FH	60H		

Table 3-8. Windows

Base Address	WSR Value for 32-byte Window (00E0–00FFH)	WSR Value for 64-byte Window (00C0–00FFH)	WSR Value for 128-byte Window (0080–00FFH)
Peripheral SFRs			
1FE0H	7FH †	3FH †	1FH †
1FC0H	7EH		
1FA0H	7DH	3EH	
1F80H	7CH		
1F60H	7BH	3DH	1EH
1F40H	7AH		
1F20H	79H	3CH	
1F00H	78H		
CAN Peripheral SFRs			
1EE0H	77H	3BH	1DH
1EC0H	76H		
1EA0H	75H	3AH	
1E80H	74H		
1E60H	73H	39H	1CH
1E40H	72H		
1E20H	71H	38H	
1E00H	70H		
Register RAM			
1DE0H	6FH	37H	1BH
1DC0H	6EH		
1DA0H	6DH	36H	
1D80H	6CH		
1D60H	6BH	35H	1AH
1D40H	6AH		
1D20H	69H	34H	
1D00H	68H		
1CE0H	67H	33H	19H
1CC0H	66H		
1CA0H	65H	32H	
1C80H	64H		
1C60H	63H	31H	18H
1C40H	62H		
1C20H	61H	30H	
1C00H	60H		

† Locations 1FE0–1FFFH contain memory-mapped SFRs that cannot be accessed through a window. Reading these locations through a window returns FFH; writing these locations through a window has no effect.

Table 3-8. Windows (Continued)

Base Address	WSR Value for 32-byte Window (00E0–00FFH)	WSR Value for 64-byte Window (00C0–00FFH)	WSR Value for 128-byte Window (0080–00FFH)
Upper Register File			
03E0H	5FH	2FH	17H
03C0H	5EH		
03A0H	5DH	2EH	17H
0380H	5CH		
0360H	5BH	2DH	16H
0340H	5AH		
0320H	59H	2CH	16H
0300H	58H		
02E0H	57H	2BH	15H
02C0H	56H		
02A0H	55H	2AH	15H
0280H	54H		
0260H	53H	29H	14H
0240H	52H		
0220H	51H	28H	14H
0200H	50H		
01E0H	4FH	27H	13H
01C0H	4EH		
01A0H	4DH	26H	13H
0180H	4CH		
0160H	4BH	25H	12H
0140H	4AH		
0120H	49H	24H	12H
0100H	48H		

† Locations 1FE0–1FFFH contain memory-mapped SFRs that cannot be accessed through a window. Reading these locations through a window returns FFH; writing these locations through a window has no effect.

Table 3-9. WSR Settings and Direct Addresses for Windowable SFRs

Register Mnemonic	Memory Location	32-byte Windows (00E0–00FFH)		64-byte Windows (00C0–00FFH)		128-byte Windows (0080–00FFH)	
		WSR	Direct Address	WSR	Direct Address	WSR	Direct Address
AD_COMMAND	1FACH	7DH	00ECH	3EH	00ECH	1FH	00ACH
AD_RESULT	1FAAH	7DH	00EAH	3EH	00EAH	1FH	00AAH
AD_TEST	1FAEH	7DH	00EEH	3EH	00EEH	1FH	00AEH
AD_TIME	1FAFH	7DH	00EFH	3EH	00EFH	1FH	00AFH
CAN_BTIME0	1E3FH	71H	00FFH	38H	00FFH	1CH	00BFH
CAN_BTIME1	1E4FH	72H	00EFH	39H	00CFH	1CH	00CFH
CAN_CON	1E00H	70H	00E0H	38H	00C0H	1CH	0080H
CAN_EGMSK	1E08H	70H	00E8H	38H	00C8H	1CH	0088H
CAN_INT	1E5FH	72H	00FFH	39H	00DFH	1CH	00DFH
CAN_MSG1CFG	1E16H	70H	00F6H	38H	00D6H	1CH	0096H
CAN_MSG2CFG	1E26H	71H	00E6H	38H	00E6H	1CH	00A6H
CAN_MSG3CFG	1E36H	71H	00F6H	38H	00F6H	1CH	00B6H
CAN_MSG4CFG	1E46H	72H	00E6H	39H	00C6H	1CH	00C6H
CAN_MSG5CFG	1E56H	72H	00F6H	39H	00D6H	1CH	00D6H
CAN_MSG6CFG	1E66H	73H	00E6H	39H	00E6H	1CH	00E6H
CAN_MSG7CFG	1E76H	73H	00F6H	39H	00F6H	1CH	00F6H
CAN_MSG8CFG	1E86H	74H	00E6H	3AH	00C6H	1DH	0086H
CAN_MSG9CFG	1E96H	74H	00F6H	3AH	00D6H	1DH	0096H
CAN_MSG10CFG	1EA6H	75H	00E6H	3AH	00E6H	1DH	00A6H
CAN_MSG11CFG	1EB6H	75H	00F6H	3AH	00F6H	1DH	00B6H
CAN_MSG12CFG	1EC6H	76H	00E6H	3BH	00C6H	1DH	00C6H
CAN_MSG13CFG	1ED6H	76H	00F6H	3BH	00D6H	1DH	00D6H
CAN_MSG14CFG	1EE6H	77H	00E6H	3BH	00E6H	1DH	00E6H
CAN_MSG15CFG	1EF6H	77H	00F6H	3BH	00F6H	1DH	00F6H
CAN_MSG1CON0	1E10H	70H	00F0H	38H	00D0H	1CH	0090H
CAN_MSG2CON0	1E20H	71H	00E0H	38H	00E0H	1CH	00A0H
CAN_MSG3CON0	1E30H	71H	00F0H	38H	00F0H	1CH	00B0H
CAN_MSG4CON0	1E40H	72H	00E0H	39H	00C0H	1CH	00C0H
CAN_MSG5CON0	1E50H	72H	00F0H	39H	00D0H	1CH	00D0H
CAN_MSG6CON0	1E60H	73H	00E0H	39H	00E0H	1CH	00E0H

† Must be addressed as a word.

Table 3-9. WSR Settings and Direct Addresses for Windowable SFRs (Continued)

Register Mnemonic	Memory Location	32-byte Windows (00E0–00FFH)		64-byte Windows (00C0–00FFH)		128-byte Windows (0080–00FFH)	
		WSR	Direct Address	WSR	Direct Address	WSR	Direct Address
CAN_MSG7CON0	1E70H	73H	00F0H	39H	00F0H	1CH	00F0H
CAN_MSG8CON0	1E80H	74H	00E0H	3AH	00C0H	1DH	0080H
CAN_MSG9CON0	1E90H	74H	00F0H	3AH	00D0H	1DH	0090H
CAN_MSG10CON0	1EA0H	75H	00E0H	3AH	00E0H	1DH	00A0H
CAN_MSG11CON0	1EB0H	75H	00F0H	3AH	00F0H	1DH	00B0H
CAN_MSG12CON0	1EC0H	76H	00E0H	3BH	00C0H	1DH	00C0H
CAN_MSG13CON0	1ED0H	76H	00F0H	3BH	00D0H	1DH	00D0H
CAN_MSG14CON0	1EE0H	77H	00E0H	3BH	00E0H	1DH	00E0H
CAN_MSG15CON0	1EF0H	77H	00F0H	3BH	00F0H	1DH	00F0H
CAN_MSG1CON1	1E11H	70H	00F1H	38H	00D1H	1CH	0091H
CAN_MSG2CON1	1E21H	71H	00E1H	38H	00E1H	1CH	00A1H
CAN_MSG3CON1	1E31H	71H	00F1H	38H	00F1H	1CH	00B1H
CAN_MSG4CON1	1E41H	72H	00E1H	39H	00C1H	1CH	00C1H
CAN_MSG5CON1	1E51H	72H	00F1H	39H	00D1H	1CH	00D1H
CAN_MSG6CON1	1E61H	73H	00E1H	39H	00E1H	1CH	00E1H
CAN_MSG7CON1	1E71H	73H	00F1H	39H	00F1H	1CH	00F1H
CAN_MSG8CON1	1E81H	74H	00E1H	3AH	00C1H	1DH	0081H
CAN_MSG9CON1	1E91H	74H	00F1H	3AH	00D1H	1DH	0091H
CAN_MSG10CON1	1EA1H	75H	00E1H	3AH	00E1H	1DH	00A1H
CAN_MSG11CON1	1EB1H	75H	00F1H	3AH	00F1H	1DH	00B1H
CAN_MSG12CON1	1EC1H	76H	00E1H	3BH	00C1H	1DH	00C1H
CAN_MSG13CON1	1ED1H	76H	00F1H	3BH	00D1H	1DH	00D1H
CAN_MSG14CON1	1EE1H	77H	00E1H	3BH	00E1H	1DH	00E1H
CAN_MSG15CON1	1EF1H	77H	00F1H	3BH	00F1H	1DH	00F1H
CAN_MSG1DATA0	1E17H	70H	00F7H	38H	00D7H	1CH	0097H
CAN_MSG2DATA0	1E27H	71H	00E7H	38H	00E7H	1CH	00A7H
CAN_MSG3DATA0	1E37H	71H	00F7H	38H	00F7H	1CH	00B7H
CAN_MSG4DATA0	1E47H	72H	00E7H	39H	00C7H	1CH	00C7H
CAN_MSG5DATA0	1E57H	72H	00F7H	39H	00D7H	1CH	00D7H
CAN_MSG6DATA0	1E67H	73H	00E7H	39H	00E7H	1CH	00E7H
CAN_MSG7DATA0	1E77H	73H	00F7H	39H	00F7H	1CH	00F7H
CAN_MSG8DATA0	1E87H	74H	00E7H	3AH	00C7H	1DH	0087H

† Must be addressed as a word.

Table 3-9. WSR Settings and Direct Addresses for Windowable SFRs (Continued)

Register Mnemonic	Memory Location	32-byte Windows (00E0–00FFH)		64-byte Windows (00C0–00FFH)		128-byte Windows (0080–00FFH)	
		WSR	Direct Address	WSR	Direct Address	WSR	Direct Address
CAN_MSG9DATA0	1E97H	74H	00F7H	3AH	00D7H	1DH	0097H
CAN_MSG10DATA0	1EA7H	75H	00E7H	3AH	00E7H	1DH	00A7H
CAN_MSG11DATA0	1EB7H	75H	00F7H	3AH	00F7H	1DH	00B7H
CAN_MSG12DATA0	1EC7H	76H	00E7H	3BH	00C7H	1DH	00C7H
CAN_MSG13DATA0	1ED7H	76H	00F7H	3BH	00D7H	1DH	00D7H
CAN_MSG14DATA0	1EE7H	77H	00E7H	3BH	00E7H	1DH	00E7H
CAN_MSG15DATA0	1EF7H	77H	00F7H	3BH	00F7H	1DH	00F7H
CAN_MSG1DATA1	1E18H	70H	00F8H	38H	00D8H	1CH	0098H
CAN_MSG2DATA1	1E28H	71H	00E8H	38H	00E8H	1CH	00A8H
CAN_MSG3DATA1	1E38H	71H	00F8H	38H	00F8H	1CH	00B8H
CAN_MSG4DATA1	1E48H	72H	00E8H	39H	00C8H	1CH	00C8H
CAN_MSG5DATA1	1E58H	72H	00F8H	39H	00D8H	1CH	00D8H
CAN_MSG6DATA1	1E68H	73H	00E8H	39H	00E8H	1CH	00E8H
CAN_MSG7DATA1	1E78H	73H	00F8H	39H	00F8H	1CH	00F8H
CAN_MSG8DATA1	1E88H	74H	00E8H	3AH	00C8H	1DH	0088H
CAN_MSG9DATA1	1E98H	74H	00F8H	3AH	00D8H	1DH	0098H
CAN_MSG10DATA1	1EA8H	75H	00E8H	3AH	00E8H	1DH	00A8H
CAN_MSG11DATA1	1EB8H	75H	00F8H	3AH	00F8H	1DH	00B8H
CAN_MSG12DATA1	1EC8H	76H	00E8H	3BH	00C8H	1DH	00C8H
CAN_MSG13DATA1	1ED8H	76H	00F8H	3BH	00D8H	1DH	00D8H
CAN_MSG14DATA1	1EE8H	77H	00E8H	3BH	00E8H	1DH	00E8H
CAN_MSG15DATA1	1EF8H	77H	00F8H	3BH	00F8H	1DH	00F8H
CAN_MSG1DATA2	1E19H	70H	00F9H	38H	00D9H	1CH	0099H
CAN_MSG2DATA2	1E29H	71H	00E9H	38H	00E9H	1CH	00A9H
CAN_MSG3DATA2	1E39H	71H	00F9H	38H	00F9H	1CH	00B9H
CAN_MSG4DATA2	1E49H	72H	00E9H	39H	00C9H	1CH	00C9H
CAN_MSG5DATA2	1E59H	72H	00F9H	39H	00D9H	1CH	00D9H
CAN_MSG6DATA2	1E69H	73H	00E9H	39H	00E9H	1CH	00E9H
CAN_MSG7DATA2	1E79H	73H	00F9H	39H	00F9H	1CH	00F9H
CAN_MSG8DATA2	1E89H	74H	00E9H	3AH	00C9H	1DH	0089H
CAN_MSG9DATA2	1E99H	74H	00F9H	3AH	00D9H	1DH	0099H
CAN_MSG10DATA2	1EA9H	75H	00E9H	3AH	00E9H	1DH	00A9H

† Must be addressed as a word.

Table 3-9. WSR Settings and Direct Addresses for Windowable SFRs (Continued)

Register Mnemonic	Memory Location	32-byte Windows (00E0–00FFH)		64-byte Windows (00C0–00FFH)		128-byte Windows (0080–00FFH)	
		WSR	Direct Address	WSR	Direct Address	WSR	Direct Address
CAN_MSG11DATA2	1EB9H	75H	00F9H	3AH	00F9H	1DH	00B9H
CAN_MSG12DATA2	1EC9H	76H	00E9H	3BH	00C9H	1DH	00C9H
CAN_MSG13DATA2	1ED9H	76H	00F9H	3BH	00D9H	1DH	00D9H
CAN_MSG14DATA2	1EE9H	77H	00E9H	3BH	00E9H	1DH	00E9H
CAN_MSG15DATA2	1EF9H	77H	00F9H	3BH	00F9H	1DH	00F9H
CAN_MSG1DATA3	1E1AH	70H	00FAH	38H	00DAH	1CH	009AH
CAN_MSG2DATA3	1E2AH	71H	00EAH	38H	00EAH	1CH	00AAH
CAN_MSG3DATA3	1E3AH	71H	00FAH	38H	00FAH	1CH	00BAH
CAN_MSG4DATA3	1E4AH	72H	00EAH	39H	00CAH	1CH	00CAH
CAN_MSG5DATA3	1E5AH	72H	00FAH	39H	00DAH	1CH	00DAH
CAN_MSG6DATA3	1E6AH	73H	00EAH	39H	00EAH	1CH	00EAH
CAN_MSG7DATA3	1E7AH	73H	00FAH	39H	00FAH	1CH	00FAH
CAN_MSG8DATA3	1E8AH	74H	00EAH	3AH	00CAH	1DH	008AH
CAN_MSG9DATA3	1E9AH	74H	00FAH	3AH	00DAH	1DH	009AH
CAN_MSG10DATA3	1EAAH	75H	00EAH	3AH	00EAH	1DH	00AAH
CAN_MSG11DATA3	1EBAH	75H	00FAH	3AH	00FAH	1DH	00BAH
CAN_MSG12DATA3	1ECAH	76H	00EAH	3BH	00CAH	1DH	00CAH
CAN_MSG13DATA3	1EDAH	76H	00FAH	3BH	00DAH	1DH	00DAH
CAN_MSG14DATA3	1EEAH	77H	00EAH	3BH	00EAH	1DH	00EAH
CAN_MSG15DATA3	1EFAH	77H	00FAH	3BH	00FAH	1DH	00FAH
CAN_MSG1DATA4	1E1BH	70H	00FBH	38H	00DBH	1CH	009BH
CAN_MSG2DATA4	1E2BH	71H	00EBH	38H	00EBH	1CH	00ABH
CAN_MSG3DATA4	1E3BH	71H	00FBH	38H	00FBH	1CH	00BBH
CAN_MSG4DATA4	1E4BH	72H	00EBH	39H	00CBH	1CH	00CBH
CAN_MSG5DATA4	1E5BH	72H	00FBH	39H	00DBH	1CH	00DBH
CAN_MSG6DATA4	1E6BH	73H	00EBH	39H	00EBH	1CH	00EBH
CAN_MSG7DATA4	1E7BH	73H	00FBH	39H	00FBH	1CH	00FBH
CAN_MSG8DATA4	1E8BH	74H	00EBH	3AH	00CBH	1DH	008BH
CAN_MSG9DATA4	1E9BH	74H	00FBH	3AH	00DBH	1DH	009BH
CAN_MSG10DATA4	1EABH	75H	00EBH	3AH	00EBH	1DH	00ABH
CAN_MSG11DATA4	1EBBH	75H	00FBH	3AH	00FBH	1DH	00BBH
CAN_MSG12DATA4	1ECBH	76H	00EBH	3BH	00CBH	1DH	00CBH

† Must be addressed as a word.

Table 3-9. WSR Settings and Direct Addresses for Windowable SFRs (Continued)

Register Mnemonic	Memory Location	32-byte Windows (00E0–00FFH)		64-byte Windows (00C0–00FFH)		128-byte Windows (0080–00FFH)	
		WSR	Direct Address	WSR	Direct Address	WSR	Direct Address
CAN_MSG13DATA4	1EDBH	76H	00FBH	3BH	00DBH	1DH	00DBH
CAN_MSG14DATA4	1EEBH	77H	00EBH	3BH	00EBH	1DH	00EBH
CAN_MSG15DATA4	1EFBH	77H	00FBH	3BH	00FBH	1DH	00FBH
CAN_MSG1DATA5	1E1CH	70H	00FCH	38H	00DCH	1CH	009CH
CAN_MSG2DATA5	1E2CH	71H	00ECH	38H	00ECH	1CH	00ACH
CAN_MSG3DATA5	1E3CH	71H	00FCH	38H	00FCH	1CH	00BCH
CAN_MSG4DATA5	1E4CH	72H	00ECH	39H	00CCH	1CH	00CCH
CAN_MSG5DATA5	1E5CH	72H	00FCH	39H	00DCH	1CH	00DCH
CAN_MSG6DATA5	1E6CH	73H	00ECH	39H	00ECH	1CH	00ECH
CAN_MSG7DATA5	1E7CH	73H	00FCH	39H	00FCH	1CH	00FCH
CAN_MSG8DATA5	1E8CH	74H	00ECH	3AH	00CCH	1DH	008CH
CAN_MSG9DATA5	1E9CH	74H	00FCH	3AH	00DCH	1DH	009CH
CAN_MSG10DATA5	1EACH	75H	00ECH	3AH	00ECH	1DH	00ACH
CAN_MSG11DATA5	1EBCH	75H	00FCH	3AH	00FCH	1DH	00BCH
CAN_MSG12DATA5	1ECCH	76H	00ECH	3BH	00CCH	1DH	00CCH
CAN_MSG13DATA5	1EDCH	76H	00FCH	3BH	00DCH	1DH	00DCH
CAN_MSG14DATA5	1EECH	77H	00ECH	3BH	00ECH	1DH	00ECH
CAN_MSG15DATA5	1EFCH	77H	00FCH	3BH	00FCH	1DH	00FCH
CAN_MSG1DATA6	1E1DH	70H	00FDH	38H	00DDH	1CH	009DH
CAN_MSG2DATA6	1E2DH	71H	00EDH	38H	00EDH	1CH	00ADH
CAN_MSG3DATA6	1E3DH	71H	00FDH	38H	00FDH	1CH	00BDH
CAN_MSG4DATA6	1E4DH	72H	00EDH	39H	00CDH	1CH	00CDH
CAN_MSG5DATA6	1E5DH	72H	00FDH	39H	00DDH	1CH	00DDH
CAN_MSG6DATA6	1E6DH	73H	00EDH	39H	00EDH	1CH	00EDH
CAN_MSG7DATA6	1E7DH	73H	00FDH	39H	00FDH	1CH	00FDH
CAN_MSG8DATA6	1E8DH	74H	00EDH	3AH	00CDH	1DH	008DH
CAN_MSG9DATA6	1E9DH	74H	00FDH	3AH	00DDH	1DH	009DH
CAN_MSG10DATA6	1EADH	75H	00EDH	3AH	00EDH	1DH	00ADH
CAN_MSG11DATA6	1EBDH	75H	00FDH	3AH	00FDH	1DH	00BDH
CAN_MSG12DATA6	1ECDH	76H	00EDH	3BH	00CDH	1DH	00CDH
CAN_MSG13DATA6	1EDDH	76H	00FDH	3BH	00DDH	1DH	00DDH
CAN_MSG14DATA6	1EEDH	77H	00EDH	3BH	00EDH	1DH	00EDH

† Must be addressed as a word.

Table 3-9. WSR Settings and Direct Addresses for Windowable SFRs (Continued)

Register Mnemonic	Memory Location	32-byte Windows (00E0–00FFH)		64-byte Windows (00C0–00FFH)		128-byte Windows (0080–00FFH)	
		WSR	Direct Address	WSR	Direct Address	WSR	Direct Address
CAN_MSG15DATA6	1EFDH	77H	00FDH	3BH	00FDH	1DH	00FDH
CAN_MSG1DATA7	1E1EH	70H	00FEH	38H	00DEH	1CH	009EH
CAN_MSG2DATA7	1E2EH	71H	00EEH	38H	00EEH	1CH	00AEH
CAN_MSG3DATA7	1E3EH	71H	00FEH	38H	00FEH	1CH	00BEH
CAN_MSG4DATA7	1E4EH	72H	00EEH	39H	00CEH	1CH	00CEH
CAN_MSG5DATA7	1E5EH	72H	00FEH	39H	00DEH	1CH	00DEH
CAN_MSG6DATA7	1E6EH	73H	00EEH	39H	00EEH	1CH	00EEH
CAN_MSG7DATA7	1E7EH	73H	00FEH	39H	00FEH	1CH	00FEH
CAN_MSG8DATA7	1E8EH	74H	00EEH	3AH	00CEH	1DH	008EH
CAN_MSG9DATA7	1E9EH	74H	00FEH	3AH	00DEH	1DH	009EH
CAN_MSG10DATA7	1EAEH	75H	00EEH	3AH	00EEH	1DH	00AEH
CAN_MSG11DATA7	1EBEH	75H	00FEH	3AH	00FEH	1DH	00BEH
CAN_MSG12DATA7	1ECEH	76H	00EEH	3BH	00CEH	1DH	00CEH
CAN_MSG13DATA7	1EDEH	76H	00FEH	3BH	00DEH	1DH	00DEH
CAN_MSG14DATA7	1EEEH	77H	00EEH	3BH	00EEH	1DH	00EEH
CAN_MSG15DATA7	1EFEH	77H	00FEH	3BH	00FEH	1DH	00FEH
CAN_MSG1ID0	1E12H	70H	00F2H	38H	00D2H	1CH	0092H
CAN_MSG2ID0	1E22H	71H	00E2H	38H	00E2H	1CH	00A2H
CAN_MSG3ID0	1E32H	71H	00F2H	38H	00F2H	1CH	00B2H
CAN_MSG4ID0	1E42H	72H	00E2H	39H	00C2H	1CH	00C2H
CAN_MSG5ID0	1E52H	72H	00F2H	39H	00D2H	1CH	00D2H
CAN_MSG6ID0	1E62H	73H	00E2H	39H	00E2H	1CH	00E2H
CAN_MSG7ID0	1E72H	73H	00F2H	39H	00F2H	1CH	00F2H
CAN_MSG8ID0	1E82H	74H	00E2H	3AH	00C2H	1DH	0082H
CAN_MSG9ID0	1E92H	74H	00F2H	3AH	00D2H	1DH	0092H
CAN_MSG10ID0	1EA2H	75H	00E2H	3AH	00E2H	1DH	00A2H
CAN_MSG11ID0	1EB2H	75H	00F2H	3AH	00F2H	1DH	00B2H
CAN_MSG12ID0	1EC2H	76H	00E2H	3BH	00C2H	1DH	00C2H
CAN_MSG13ID0	1ED2H	76H	00F2H	3BH	00D2H	1DH	00D2H
CAN_MSG14ID0	1EE2H	77H	00E2H	3BH	00E2H	1DH	00E2H
CAN_MSG15ID0	1EF2H	77H	00F2H	3BH	00F2H	1DH	00F2H
CAN_MSG1ID1	1E13H	70H	00F3H	38H	00D3H	1CH	0093H

† Must be addressed as a word.

Table 3-9. WSR Settings and Direct Addresses for Windowable SFRs (Continued)

Register Mnemonic	Memory Location	32-byte Windows (00E0–00FFH)		64-byte Windows (00C0–00FFH)		128-byte Windows (0080–00FFH)	
		WSR	Direct Address	WSR	Direct Address	WSR	Direct Address
CAN_MSG2ID1	1E23H	71H	00E3H	38H	00E3H	1CH	00A3H
CAN_MSG3ID1	1E33H	71H	00F3H	38H	00F3H	1CH	00B3H
CAN_MSG4ID1	1E43H	72H	00E3H	39H	00C3H	1CH	00C3H
CAN_MSG5ID1	1E53H	72H	00F3H	39H	00D3H	1CH	00D3H
CAN_MSG6ID1	1E63H	73H	00E3H	39H	00E3H	1CH	00E3H
CAN_MSG7ID1	1E73H	73H	00F3H	39H	00F3H	1CH	00F3H
CAN_MSG8ID1	1E83H	74H	00E3H	3AH	00C3H	1DH	0083H
CAN_MSG9ID1	1E93H	74H	00F3H	3AH	00D3H	1DH	0093H
CAN_MSG10ID1	1EA3H	75H	00E3H	3AH	00E3H	1DH	00A3H
CAN_MSG11ID1	1EB3H	75H	00F3H	3AH	00F3H	1DH	00B3H
CAN_MSG12ID1	1EC3H	76H	00E3H	3BH	00C3H	1DH	00C3H
CAN_MSG13ID1	1ED3H	76H	00F3H	3BH	00D3H	1DH	00D3H
CAN_MSG14ID1	1EE3H	77H	00E3H	3BH	00E3H	1DH	00E3H
CAN_MSG15ID1	1EF3H	77H	00F3H	3BH	00F3H	1DH	00F3H
CAN_MSG1ID2	1E14H	70H	00F4H	38H	00D4H	1CH	0094H
CAN_MSG2ID2	1E24H	71H	00E4H	38H	00E4H	1CH	00A4H
CAN_MSG3ID2	1E34H	71H	00F4H	38H	00F4H	1CH	00B4H
CAN_MSG4ID2	1E44H	72H	00E4H	39H	00C4H	1CH	00C4H
CAN_MSG5ID2	1E54H	72H	00F4H	39H	00D4H	1CH	00D4H
CAN_MSG6ID2	1E64H	73H	00E4H	39H	00E4H	1CH	00E4H
CAN_MSG7ID2	1E74H	73H	00F4H	39H	00F4H	1CH	00F4H
CAN_MSG8ID2	1E84H	74H	00E4H	3AH	00C4H	1DH	0084H
CAN_MSG9ID2	1E94H	74H	00F4H	3AH	00D4H	1DH	0094H
CAN_MSG10ID2	1EA4H	75H	00E4H	3AH	00E4H	1DH	00A4H
CAN_MSG11ID2	1EB4H	75H	00F4H	3AH	00F4H	1DH	00B4H
CAN_MSG12ID2	1EC4H	76H	00E4H	3BH	00C4H	1DH	00C4H
CAN_MSG13ID2	1ED4H	76H	00F4H	3BH	00D4H	1DH	00D4H
CAN_MSG14ID2	1EE4H	77H	00E4H	3BH	00E4H	1DH	00E4H
CAN_MSG15ID2	1EF4H	77H	00F4H	3BH	00F4H	1DH	00F4H
CAN_MSG1ID3	1E15H	70H	00F5H	38H	00D5H	1CH	0095H
CAN_MSG2ID3	1E25H	71H	00E5H	38H	00E5H	1CH	00A5H
CAN_MSG3ID3	1E35H	71H	00F5H	38H	00F5H	1CH	00B5H

† Must be addressed as a word.

Table 3-9. WSR Settings and Direct Addresses for Windowable SFRs (Continued)

Register Mnemonic	Memory Location	32-byte Windows (00E0–00FFH)		64-byte Windows (00C0–00FFH)		128-byte Windows (0080–00FFH)	
		WSR	Direct Address	WSR	Direct Address	WSR	Direct Address
CAN_MSG4ID3	1E45H	72H	00E5H	39H	00C5H	1CH	00C5H
CAN_MSG5ID3	1E55H	72H	00F5H	39H	00D5H	1CH	00D5H
CAN_MSG6ID3	1E65H	73H	00E5H	39H	00E5H	1CH	00E5H
CAN_MSG7ID3	1E75H	73H	00F5H	39H	00F5H	1CH	00F5H
CAN_MSG8ID3	1E85H	74H	00E5H	3AH	00C5H	1DH	0085H
CAN_MSG9ID3	1E95H	74H	00F5H	3AH	00D5H	1DH	0095H
CAN_MSG10ID3	1EA5H	75H	00E5H	3AH	00E5H	1DH	00A5H
CAN_MSG11ID3	1EB5H	75H	00F5H	3AH	00F5H	1DH	00B5H
CAN_MSG12ID3	1EC5H	76H	00E5H	3BH	00C5H	1DH	00C5H
CAN_MSG13ID3	1ED5H	76H	00F5H	3BH	00D5H	1DH	00D5H
CAN_MSG14ID3	1EE5H	77H	00E5H	3BH	00E5H	1DH	00E5H
CAN_MSG15ID3	1EF5H	77H	00F5H	3BH	00F5H	1DH	00F5H
CAN_MSK15	1E0CH	70H	00ECH	38H	00CCH	1CH	008CH
CAN_SGMSK	1E06H	70H	00E6H	38H	00C6H	1CH	0086H
CAN_STAT	1E01H	70H	00E1H	38H	00C1H	1CH	0081H
COMP0_CON	1F88H	7CH	00E8H	3EH	00C8H	1FH	0088H
COMP1_CON	1F8CH	7CH	00ECH	3EH	00CCH	1FH	008CH
COMP0_TIME†	1F8AH	7CH	00EAH	3EH	00CAH	1FH	008AH
COMP1_TIME†	1F8EH	7CH	00EEH	3EH	00CEH	1FH	008EH
EPA_MASK†	1FA0H	7DH	00E0H	3EH	00E0H	1FH	00A0H
EPA_MASK1	1FA4H	7DH	00E4H	3EH	00E4H	1FH	00A4H
EPA_PEND†	1FA2H	7DH	00E2H	3EH	00E2H	1FH	00A2H
EPA_PEND1	1FA6H	7DH	00E6H	3EH	00E6H	1FH	00A6H
EPA0_CON	1F60H	7BH	00E0H	3DH	00E0H	1EH	00E0H
EPA1_CON†	1F64H	7BH	00E4H	3DH	00E4H	1EH	00E4H
EPA2_CON	1F68H	7BH	00E8H	3DH	00E8H	1EH	00E8H
EPA3_CON†	1F6CH	7BH	00ECH	3DH	00ECH	1EH	00ECH
EPA8_CON	1F80H	7CH	00E0H	3EH	00C0H	1FH	0080H
EPA9_CON	1F84H	7CH	00E4H	3EH	00C4H	1FH	0084H
EPA9_TIME†	1F86H	7CH	00E6H	3EH	00C6H	1FH	0086H
EPA0_TIME†	1F62H	7BH	00E2H	3DH	00E2H	1EH	00E2H
EPA1_TIME†	1F66H	7BH	00E6H	3DH	00E6H	1EH	00E6H

† Must be addressed as a word.

Table 3-9. WSR Settings and Direct Addresses for Windowable SFRs (Continued)

Register Mnemonic	Memory Location	32-byte Windows (00E0–00FFH)		64-byte Windows (00C0–00FFH)		128-byte Windows (0080–00FFH)	
		WSR	Direct Address	WSR	Direct Address	WSR	Direct Address
EPA2_TIME†	1F6AH	7BH	00EAH	3DH	00EAH	1EH	00EAH
EPA3_TIME†	1F6EH	7BH	00EEH	3DH	00EEH	1EH	00EEH
EPA8_TIME†	1F82H	7CH	00E2H	3EH	00C2H	1FH	0082H
EPA9_TIME†	1F86H	7CH	00E6H	3EH	00C6H	1FH	0086H
EPAIPV	1FA8H	7DH	00E8H	3EH	00E8H	1FH	00A8H
P1_DIR	1FD2H	7EH	00F2H	3FH	00D2H	1FH	00D2H
P2_DIR	1FCBH	7EH	00EBH	3FH	00CBH	1FH	00CBH
P6_DIR	1FD3H	7EH	00F3H	3FH	00D3H	1FH	00D3H
P1_MODE	1FD0H	7EH	00F0H	3FH	00D0H	1FH	00D0H
P2_MODE	1FC9H	7EH	00E9H	3FH	00C9H	1FH	00C9H
P6_MODE	1FD1H	7EH	00F1H	3FH	00D1H	1FH	00D1H
P0_PIN	1FDAH	7EH	00FAH	3FH	00DAH	1FH	00DAH
P1_PIN	1FD6H	7EH	00F6H	3FH	00D6H	1FH	00D6H
P2_PIN	1FCFH	7EH	00EFH	3FH	00CFH	1FH	00CFH
P6_PIN	1FD7H	7EH	00F7H	3FH	00D7H	1FH	00D7H
P1_REG	1FD4H	7EH	00F4H	3FH	00D4H	1FH	00D4H
P2_REG	1FCDH	7EH	00EDH	3FH	00CDH	1FH	00CDH
P6_REG	1FD5H	7EH	00F5H	3FH	00D5H	1FH	00D5H
SBUF_RX	1FB8H	7DH	00F8H	3EH	00F8H	1FH	00B8H
SBUF_TX	1FBAH	7DH	00FAH	3EH	00FAH	1FH	00BAH
SP_BAUD†	1FBCH	7DH	00FCH	3EH	00FCH	1FH	00BCH
SP_CON	1FBBH	7DH	00FBH	3EH	00FBH	1FH	00BBH
SP_STATUS	1FB9H	7DH	00F9H	3EH	00F9H	1FH	00B9H
SSIO_BAUD	1FB4H	7DH	00F4H	3EH	00F4H	1FH	00B4H
SSIO0_BUF	1FB0H	7DH	00F0H	3EH	00F0H	1FH	00B0H
SSIO1_BUF	1FB2H	7DH	00F2H	3EH	00F2H	1FH	00B2H
SSIO0_CON	1FB1H	7DH	00F1H	3EH	00F1H	1FH	00B1H
SSIO1_CON	1FB3H	7DH	00F3H	3EH	00F3H	1FH	00B3H
T1CONTROL	1F98H	7CH	00F8H	3EH	00D8H	1FH	0098H
T2CONTROL	1F9CH	7CH	00FCH	3EH	00DCH	1FH	009CH
TIMER1†	1F9AH	7CH	00FAH	3EH	00DAH	1FH	009AH
TIMER2†	1F9EH	7CH	00FEH	3EH	00DEH	1FH	009EH

† Must be addressed as a word.



4

Standard and PTS Interrupts

CHAPTER 4

STANDARD AND PTS INTERRUPTS

4.1 INTERRUPT SOURCES, VECTORS, AND PRIORITIES

The interrupt structure of the 87C196CB is the same as that of the 8XC196NT. The only difference is that INT13, which was reserved on the 8XC196NT, supports the CAN peripheral.

Table 4-1 lists the 87C196CB's interrupts sources, default priorities (30 is highest and 0 is lowest), and vector addresses. Figures 4-1 and 4-2 illustrate the interrupt mask and pending registers.

Table 4-1. Interrupt Sources, Vectors, and Priorities

Interrupt Source	Mnemonic	Interrupt Controller Service			PTS Service		
		Name	Vector	Priority	Name	Vector	Priority
Nonmaskable Interrupt	NMI	INT15	FF203EH	30	—	—	—
EXTINT Pin	EXTINT	INT14	FF203CH	14	PTS14	FF205CH	29
CAN	CAN	INT13	FF203AH	13	PTS13 †	FF205AH	28
SIO Receive	RI	INT12	FF2038H	12	PTS12	FF2058H	27
SIO Transmit	TI	INT11	FF2036H	11	PTS11	FF2056H	26
SSIO Channel 1 Transfer	SSIO1	INT10	FF2034H	10	PTS10	FF2054H	25
SSIO Channel 0 Transfer	SSIO0	INT09	FF2032H	09	PTS09	FF2052H	24
Slave Port Command Buff Full	CBF	INT08	FF2030H	08	PTS08	FF2050H	23
Unimplemented Opcode	—	—	FF2012H	—	—	—	—
Software TRAP Instruction	—	—	FF2010H	—	—	—	—
Slave Port Input Buff Full	IBF	INT07	FF200EH	07	PTS07	FF204EH	22
Slave Port Output Buff Empty	OBE	INT06	FF200CH	06	PTS06	FF204CH	21
A/D Conversion Complete	AD_DONE	INT05	FF200AH	05	PTS05	FF204AH	20
EPA Capture/Compare 0	EPA0	INT04	FF2008H	04	PTS04	FF2048H	19
EPA Capture/Compare 1	EPA1	INT03	FF2006H	03	PTS03	FF2046H	18
EPA Capture/Compare 2	EPA2	INT02	FF2004H	02	PTS02	FF2044H	17
EPA Capture/Compare 3	EPA3	INT01	FF2002H	01	PTS01	FF2042H	16
EPA Capture/Compare 4–9, EPA 0–9 Overrun, EPA Compare 0–1, Timer 1 Overflow, Timer 2 Overflow	EPAx	INT00	FF2000H	00	PTS00†	FF2040H	15

† PTS service is not recommended because the PTS cannot determine the source of shared interrupts.

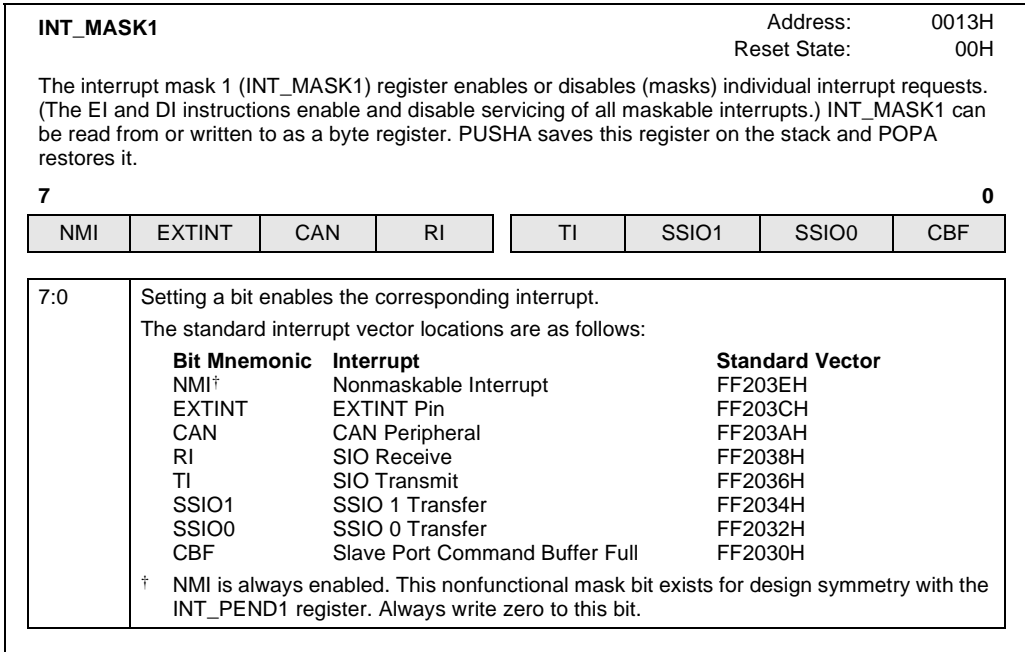


Figure 4-1. Interrupt Mask 1 (INT_MASK1) Register

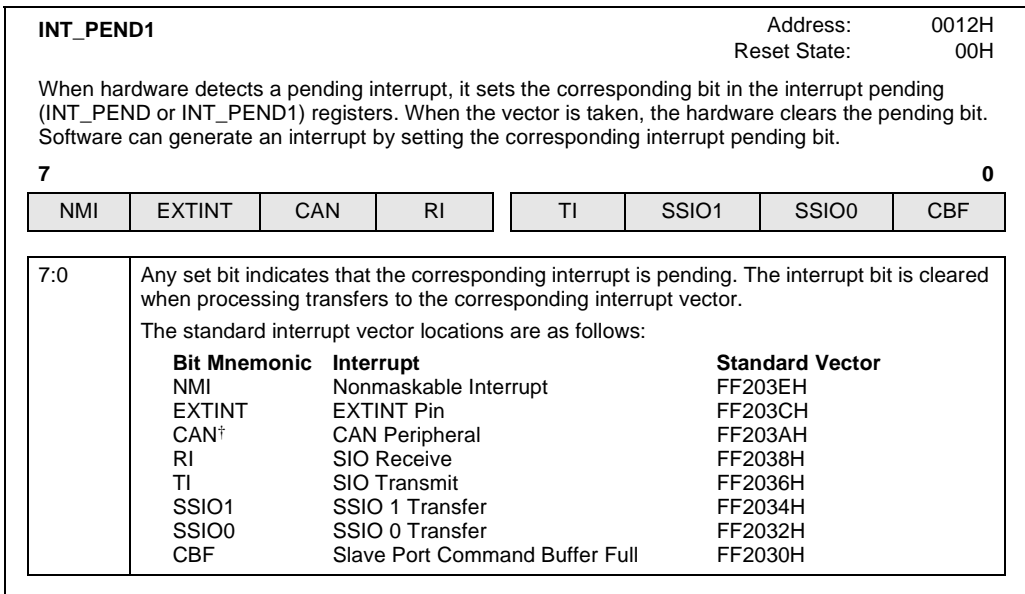


Figure 4-2. interrupt Pending 1 (INT_PEND1) Register



5

I/O Ports

CHAPTER 5 I/O PORTS

5.1 PORT 0 AND EPORT

The I/O ports of the 87C196CB are functionally identical to those of the 8XC196NT. However, the 87C196CB implements all eight pins of port 0, and the 100-pin 87C196CB also implements all eight pins of the EPORT. The associated registers have been modified to include bits corresponding to the upper nibble of the ports. Table 5-1 provides an overview of the 8XC196CB's I/O ports. Figure 5-1 illustrates the port 0 pin state register, and Figures 5-2 through 5-5 illustrate the EPORT registers.

Table 5-1. 87C196CB Input/Output Ports

Port	Bits	Type	Direction	Associated Peripheral(s)
Port 0	8	Standard	Input-only	A/D converter
Port 1	8	Standard	Bidirectional	EPA and timers
Port 2	8	Standard	Bidirectional	SIO, interrupts, bus control, clock gen.
Port 3	8	Memory-mapped	Bidirectional	Address/data bus
Port 4	8	Memory-mapped	Bidirectional	Address/data bus
Port 5	8	Memory-mapped	Bidirectional	Bus control, slave port
Port 6	8	Standard	Bidirectional	EPA, SSIO
EPORT	4 (84-pin CB) 8 (100-pin CB)	Memory mapped	Bidirectional	Extended address lines

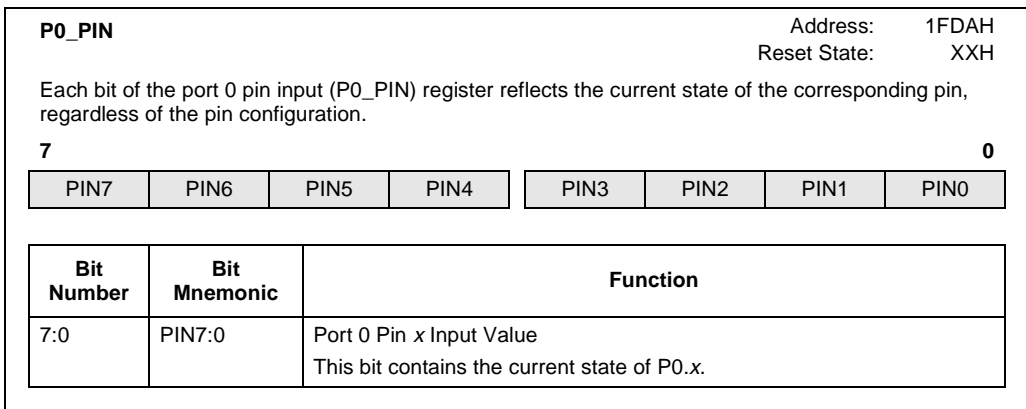


Figure 5-1. Port x Pin Input (Px_PIN) Register

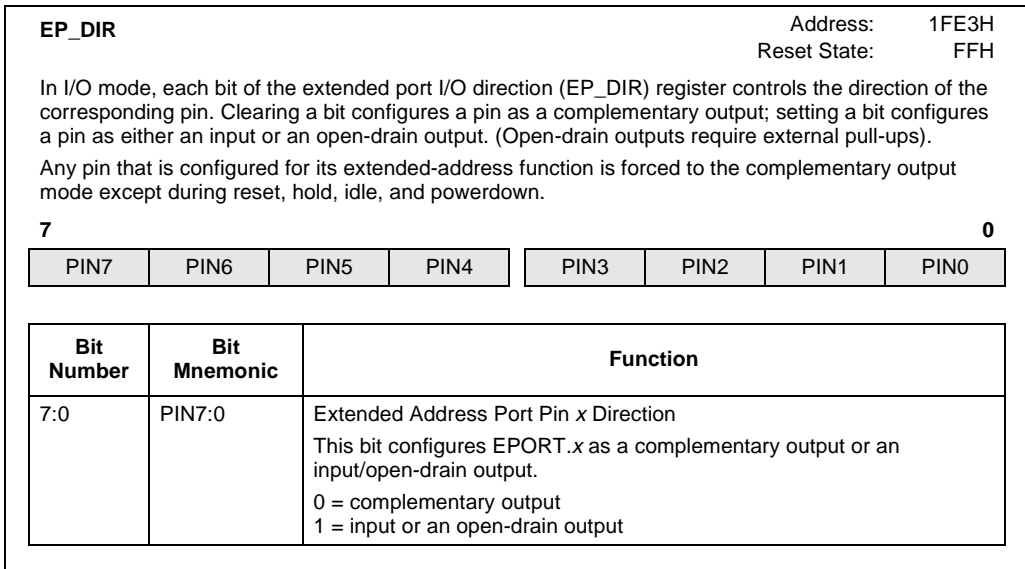


Figure 5-2. Extended Port I/O Direction (EP_DIR) Register

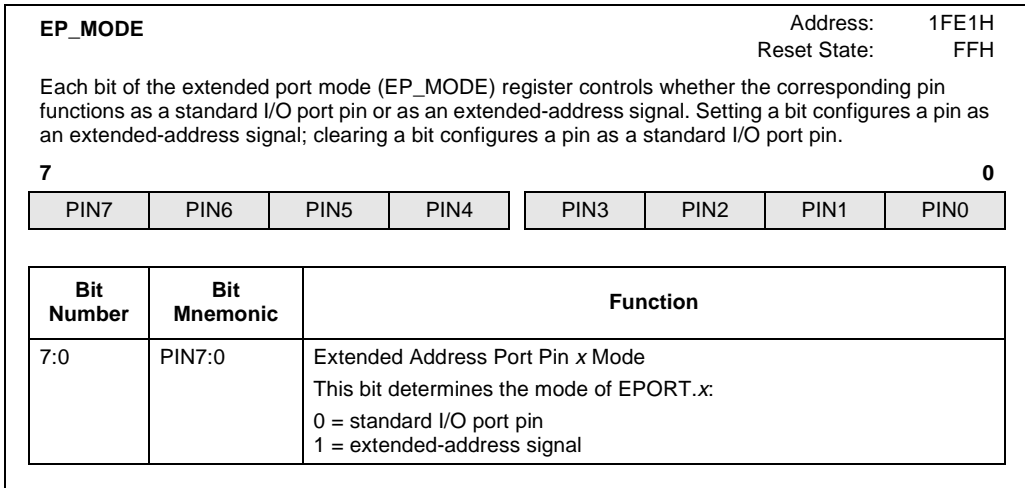


Figure 5-3. Extended Port Mode (EP_MODE) Register

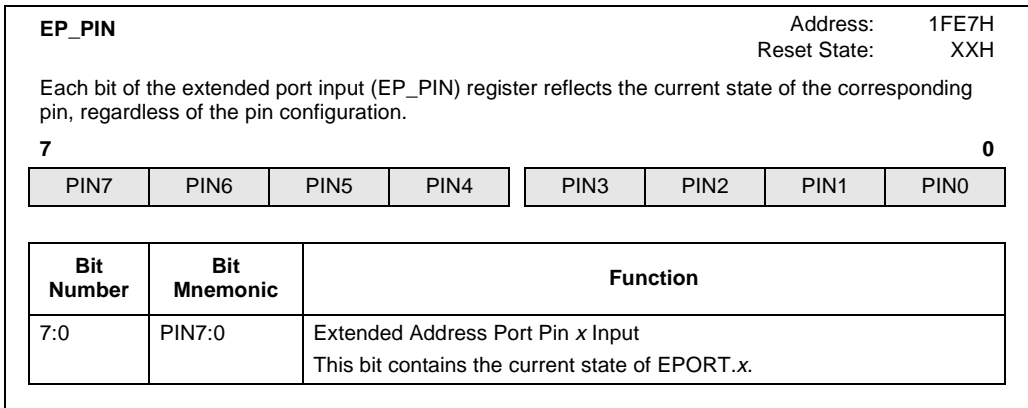


Figure 5-4. Extended Port Input (EP_PIN) Register

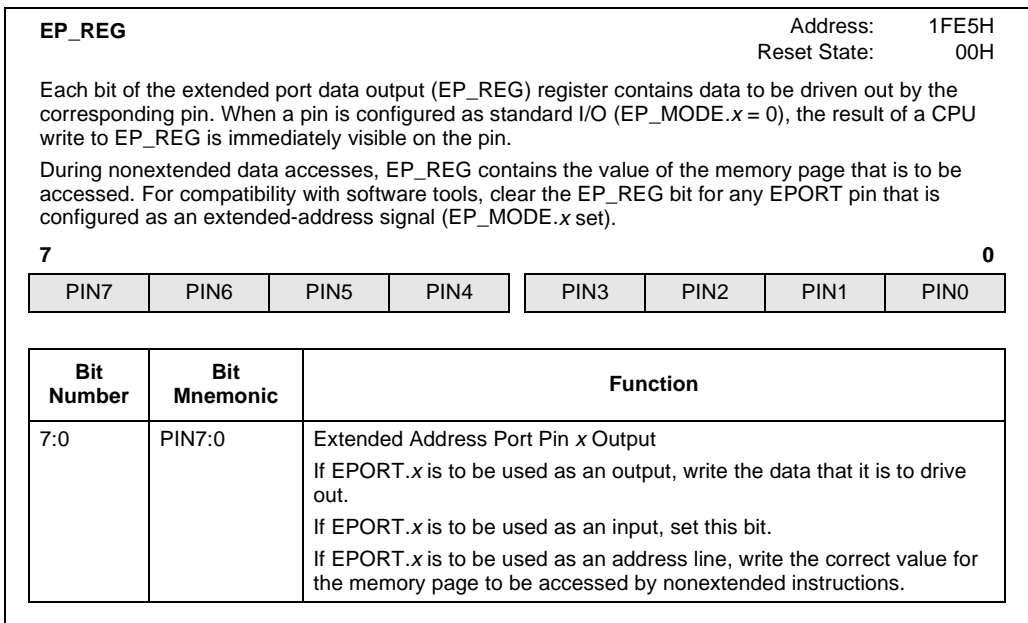


Figure 5-5. Extended Port Data Output (EP_REG) Register



6

Analog-to-digital (A/D) Converter

CHAPTER 6

ANALOG-TO-DIGITAL (A/D) CONVERTER

6.1 ADDITIONAL A/D INPUT CHANNELS

The 87C196CB's A/D converter is functionally identical to that of the 8XC196NT, but it has eight analog input channels instead of four. Table 6-1 lists the A/D signals. Figure 6-1 describes the command register and Figure 6-2 describes the result register.

Table 6-1. A/D Converter Pins

Port Pin	A/D Signal	A/D Signal Type	Description
P0.7:0	ACH7:0	I	Analog inputs. See the "Voltage on Analog Input Pin" specification in the datasheet.
—	ANGND	GND	Reference Ground Must be connected for A/D converter and port operation.
—	V _{REF}	PWR	Reference Voltage Must be connected for A/D converter and port operation.

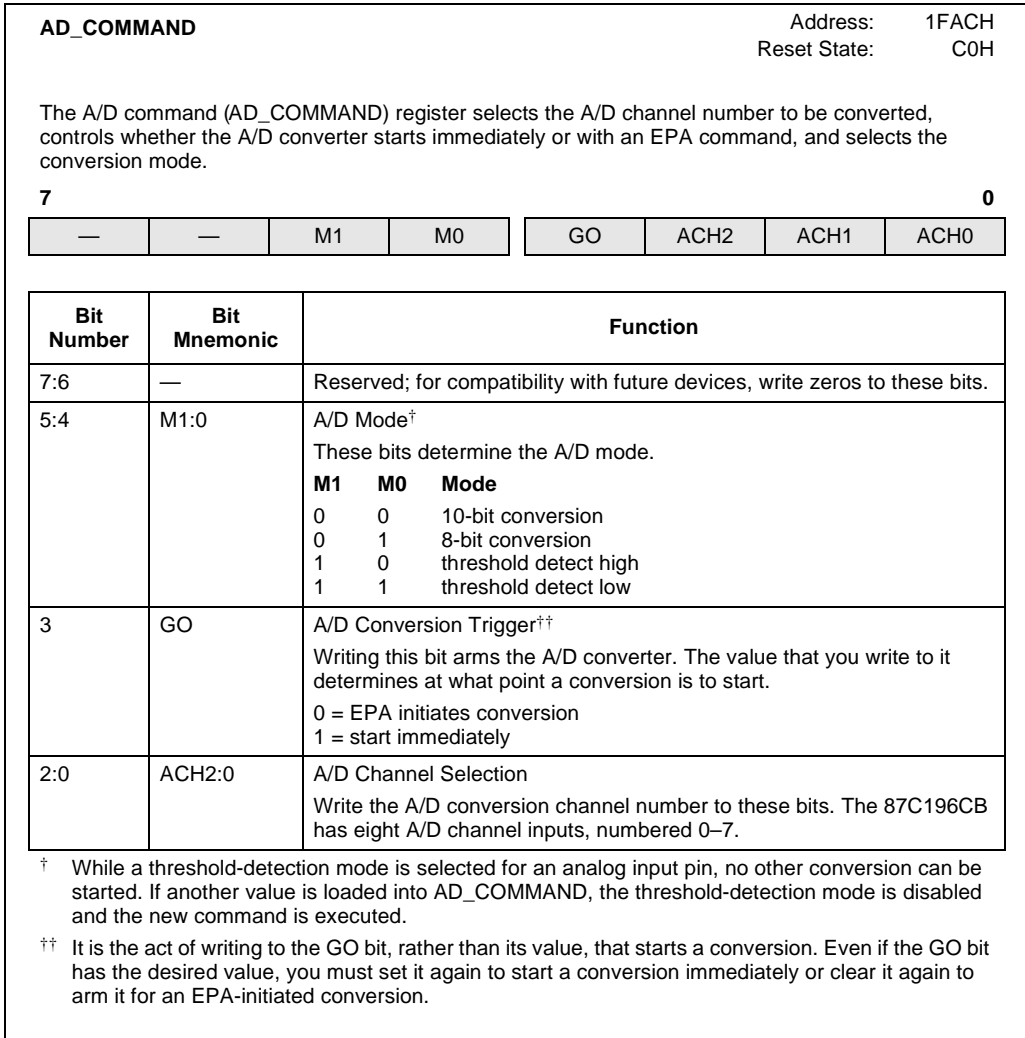


Figure 6-1. A/D Command (AD_COMMAND) Register

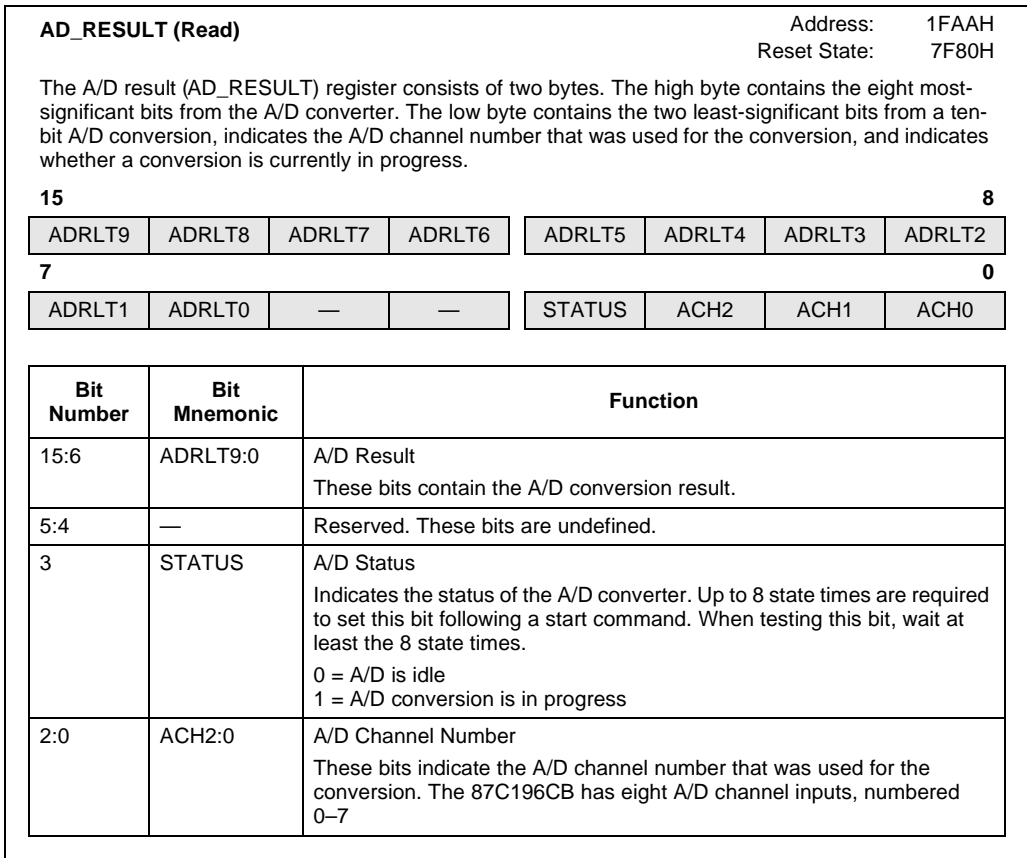


Figure 6-2. A/D Result (AD_RESULT) Register — Read Format



7

CAN Serial Communications Controller

CHAPTER 7

CAN SERIAL COMMUNICATIONS CONTROLLER

The 87C196CB has a peripheral not found in the 8XC196NT — the CAN (controller area network) peripheral. The CAN serial communications controller manages communications between multiple network nodes. This integrated peripheral is similar to Intel’s standalone 82527 CAN serial communications controller. It supports both the standard and the extended message frames specified by CAN 2.0 protocol parts A and B developed by Robert Bosch, GmbH. This chapter describes the integrated CAN controller and explains how to configure it. Consult Appendix A, “Signal Descriptions,” for detailed descriptions of the signals discussed in this chapter.

7.1 CAN FUNCTIONAL OVERVIEW

The integrated CAN controller transfers messages between network nodes according to the CAN protocol. The CAN protocol uses a multiple-master, contention-based bus configuration, which is also called CSMA/CR (carrier sense, multiple access, with collision resolution). Each CAN controller’s input and output pins are connected to a two-line CAN bus through which all communication takes place (Figure 7-1).

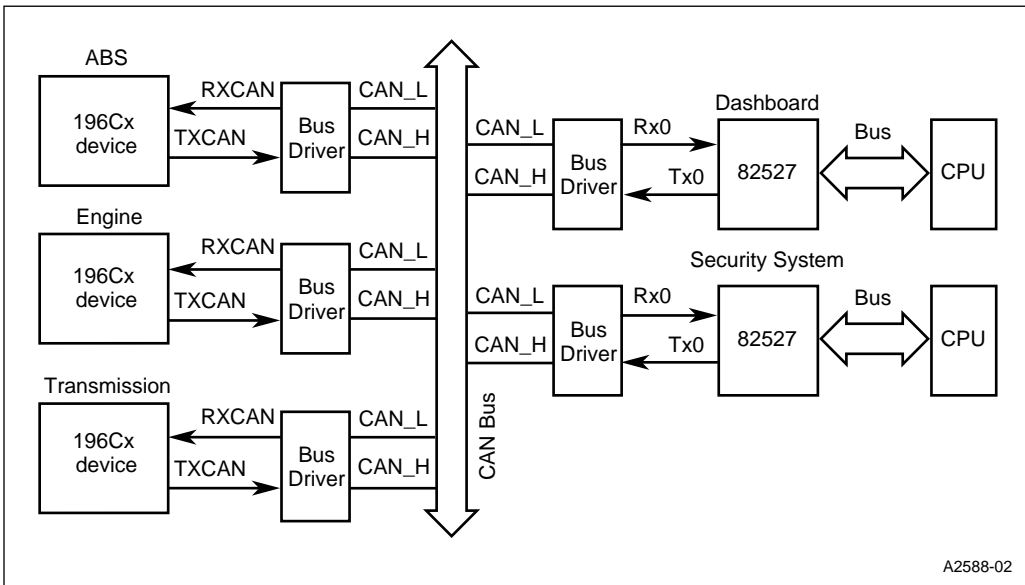


Figure 7-1. A System Using CAN Controllers

This bus configuration reduces point-to-point wiring requirements, making the CAN controller well suited to automotive and factory automation applications. In addition, it relieves the CPU of much of the communications burden while providing a high level of data integrity through error management logic.

The CAN controller (Figure 7-2) has one input pin, one output pin, control and status registers, and error detection and management logic.

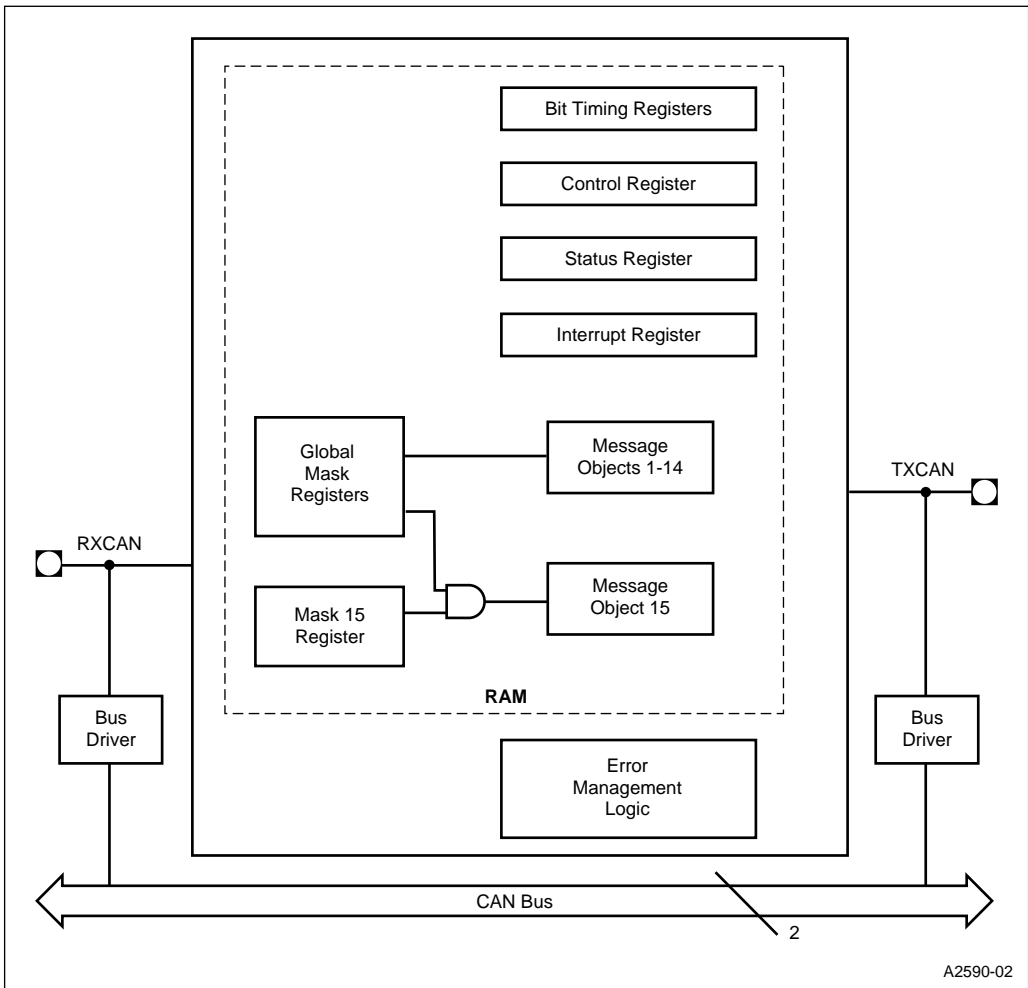


Figure 7-2. CAN Controller Block Diagram

7.2 CAN CONTROLLER SIGNALS AND REGISTERS

Table 7-1 describes the CAN controller’s pins, and Table 7-2 describes the control and status registers.

Table 7-1. CAN Controller Signals

Signal	Type	Description
RXCAN	I	Receive This signal carries messages from other nodes on the CAN bus to the CAN controller.
TXCAN	O	Transmit This signal carries messages from the CAN controller to other nodes on the CAN bus.

Table 7-2. Control and Status Registers

Register Mnemonic ††	Register Address ††	Description
CAN_BTIME0†	1E3FH	Bit Timing 0 Program this register to define the length of one time quantum and the maximum number of time quanta by which a bit time can be modified for resynchronization.
CAN_BTIME1†	1E4FH	Bit Timing 1 Program this register to define the sample time and mode.
CAN_CON†	1E00H	Control Program this register to prevent transfers to and from the CAN bus, to enable and disable CAN interrupts, and to control write access to the bit timing registers.
CAN_EGMSK	1E08H, 1E09H, 1E0AH, 1E0BH	Extended Global Mask Program this register to mask (“don’t care”) specific message identifier bits for extended message objects.
CAN_INT	1E5FH	CAN Interrupt Pending This read-only register indicates the source of the highest-priority pending interrupt.
CAN_MSGxCFG	1Ey6H	Message Object x Configuration Program this register to specify a message object’s data length, transfer direction, and identifier type.
CAN_MSGxCON0	1Ey0H	Message Object x Control 0 Program this register to enable or disable the message object’s successful transmission (TX) and reception (RX) interrupts. Read this register to determine whether a message object is ready to transmit and whether an interrupt is pending.

†The CCE bit in CAN_CON must be set to enable write access to the bit timing registers.

††In register names, x = 1–15; in addresses, y = 1–F.

Table 7-2. Control and Status Registers (Continued)

Register Mnemonic ††	Register Address ††	Description
CAN_MSGxCON1	1Ey1H	Message Object x Control 1 Program this register to indicate that a message is ready to transmit or to initiate a transmission. Read this register to determine whether the message object contains new data, whether a message has been overwritten, whether software is updating the message, and whether a transfer is pending.
CAN_MSGxDATA0 CAN_MSGxDATA1 CAN_MSGxDATA2 CAN_MSGxDATA3 CAN_MSGxDATA4 CAN_MSGxDATA5 CAN_MSGxDATA6 CAN_MSGxDATA7	1Ey7H 1Ey8H 1Ey9H 1EyAH 1EyBH 1EyCH 1EyDH 1EyEH	Message Object x Data 0–7 The data registers contain data to be transmitted or data received. Do not use unused data bytes as scratch-pad memory; the CAN controller writes random values to these registers during operation.
CAN_MSGxID0 CAN_MSGxID1 CAN_MSGxID2 CAN_MSGxID3	1Ey2H 1Ey3H 1Ey4H 1Ey5H	Message Object x Identification 0–3 Write the message object's ID to this register. (This register is the same as the arbitration register of the 82527.)
CAN_MSK15	1E0CH, 1E0DH, 1E0EH, 1E0FH	Message 15 Mask Program this register to mask ("don't care") specific message identifier bits for message 15 in addition to those bits masked by a global mask. The message 15 mask is ANDed with the standard or extended global mask, so any "don't care" bits defined in a global mask are also "don't care" bits for message 15.
CAN_SGMSK	1E06H, 1E07H	Standard Global Mask Program this register to mask ("don't care") specific message identifier bits for standard message objects.
CAN_STAT	1E01H	Status This register reflects the current status of the CAN controller.
INT_MASK1	0013H	Interrupt Mask 1 The CAN bit in this register enables and disables the CAN interrupt request.
INT_PEND1	0012H	Interrupt Pending 1 The CAN bit in this register, when set, indicates a pending CAN interrupt request.

†The CCE bit in CAN_CON must be set to enable write access to the bit timing registers.

††In register names, x = 1–15; in addresses, y = 1–F.

7.3 CAN CONTROLLER OPERATION

This section describes the address map, message objects, message frames (which contain message objects), error detection and management logic, and bit timing for CAN transmissions and receptions.

7.3.1 Address Map

The CAN controller has 256 bytes of RAM, containing 15 message objects and control and status registers at fixed addresses. Each message object occupies 15 consecutive bytes beginning at a base address that is a multiple of 16 bytes. The byte above each message object is reserved (indicated by a dash (—) character) or occupied by a control register. The lowest 16 bytes of RAM contain the remaining control and status registers (Table 7-3). This 256-byte section of memory can be *windowed* for register-direct access.

Table 7-3. CAN Controller Address Map

Hex Address	Description	Hex Address	Description
1EFF	—	1E6F	—
1EF0–1EFE	Message Object 15	1E60–1E6E	Message Object 6
1EEF	—	1E5F	Interrupt Register
1EE0–1EEE	Message Object 14	1E50–1E5E	Message Object 5
1EDF	—	1E4F	Bit Timing Register 1 [†]
1ED0–1EDE	Message Object 13	1E40–1E4E	Message Object 4
1ECF	—	1E3F	Bit Timing Register 0 [†]
1EC0–1ECE	Message Object 12	1E30–1E3E	Message Object 3
1EBF	—	1E2F	—
1EB0–1EBE	Message Object 11	1E20–1E2E	Message Object 2
1EAF	—	1E1F	—
1EA0–1EAE	Message Object 10	1E10–1E1E	Message Object 1
1E9F	—	1E0C–1E0F	Message 15 Mask Register
1E90–1E9E	Message Object 9	1E08–1E0B	Extended Global Mask Register
1E8F	—	1E06–1E07	Standard Global Mask Register
1E80–1E8E	Message Object 8	1E02–1E05	—
1E7F	—	1E01	Status Register
1E70–1E7E	Message Object 7	1E00	Control Register [†]

[†]The control register’s CCE bit must be set to enable write access to the bit timing registers.

7.3.2 Message Objects

The CAN controller includes 15 message objects, each of which occupies 15 bytes of RAM (Table 7-4). Message objects 1–14 can be configured to either transmit or receive messages, while message object 15 can only receive messages. Message objects 1–14 have only a single buffer, so if a second message is received before the CPU reads the first, the first message is overwritten. Message object 15 has two alternating buffers, so it can receive a second message while the first is being processed. However, if a third message is received while the CPU is reading the first, the second message is overwritten.

Table 7-4. Message Object Structure

Hex Address [†]	Contents
1Ex7–1ExE	Data Bytes 0–7
1Ex6	Message Configuration
1Ex2–1Ex5	Message Identifier 0–3
1Ex0–1Ex1	Message Control 0–1

[†] x = message object number, in hexadecimal

7.3.2.1 Receive and Transmit Priorities

The lowest-numbered message object always has the highest priority, regardless of the message identifier. When multiple messages are ready to transmit, the CAN controller transmits the message from the lowest-numbered message object first. When multiple message objects are capable of receiving the same message, the lowest-numbered message object receives it. For example, if all identifier bits are masked, message object 1 receives all messages.

7.3.2.2 Message Acceptance Filtering

The mask registers provide a method for developing an acceptance filtering strategy for a specific system. Software can program the mask registers to require an exact match on specific identifier bits while masking (“don’t care”) the remaining bits. Without a masking strategy, a message object could accept only those messages with an identical message identifier. With a masking strategy in place, a message object can accept messages whose identifiers are not identical.

The CAN controller filters messages by comparing an incoming message’s identifier with that of an enabled internal message object. The standard global mask register applies to messages with standard (11-bit) identifiers, while the extended global mask register applies to those with extended (29-bit) identifiers. The CAN controller applies the appropriate global mask to each incoming message identifier and checks for an acceptance match in message objects 1–14. If no match exists, it then applies the message 15 mask and checks for a match on message object 15. The message 15 mask is ANDed with the global mask, so any bit that is masked by the global mask is automatically masked for message 15.

The CAN controller accepts an incoming data message if the message’s identifier matches that of any enabled receive message object. It accepts an incoming remote message (request for data transmission) if the message’s identifier matches that of any enabled transmit message object. The remote message’s identifier is stored in the transmit message object, overwriting any masked bits. Table 7-5 shows an example.

Table 7-5. Effect of Masking on Message Identifiers

Transmit message object ID	1 1 0 0 0 0 0 0 0 0 0
Mask (0 = don't care; 1 = must match)	0 0 0 0 0 0 0 0 0 1 1
Received remote message object ID	0 0 1 1 1 1 1 1 1 1 0 0
Resulting message object ID	0 0 1 1 1 1 1 1 1 1 0 0

7.3.3 Message Frames

A message object is contained within a *message frame* that adds control and error-detection bits to the content of the message object. The frame for an extended message differs slightly from that for a standard message, but they contain similar information. A *data frame* contains a message object with data to be transmitted; a *remote frame* is a request for another node to transmit a data frame, so it contains no data.

Figure 7-3 illustrates standard and extended message frames. Table 7-6 and Table 7-7 describe their contents and summarize the minimum message lengths. Actual message lengths may differ because the CAN controller adds bits during transmission (see “Error Detection and Management Logic” on page 7-9). After each message frame, an intermission field consisting of three recessive (1) bits separates messages. This intermission may be followed by a bus idle time.

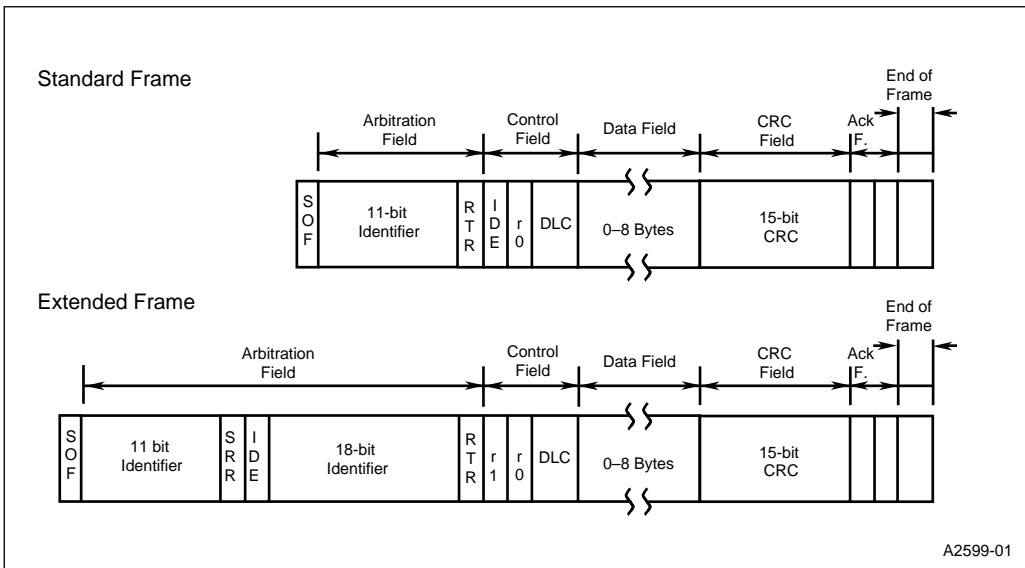


Figure 7-3. CAN Message Frames

Table 7-6. Standard Message Frame

Field	Description	Bit Count
SOF	Start-of-frame. A dominant (0) bit marks the beginning of a message frame.	1
Arbitration	11-bit message identifier.	12
	RTR. Remote transmission request. Dominant (0) for data frames; recessive (1) for remote frames.	
Control	IDE. Identifier extension bit; always dominant (0).	6
	r0. Reserved bit; always dominant (0).	
	DLC. Data length code. A 4-bit code indicating the number of data bytes (0–8).	
Data	Data. 1 to 8 bytes for data frames; 0 bytes for remote frames.	0–64
CRC	CRC code. A 15-bit CRC code plus a recessive (1) delimiter bit.	16
Ack	Acknowledgment. A dominant (0) bit sent by nodes receiving the frame plus a recessive (1) delimiter bit.	2
End of frame	7 recessive (1) bits mark the end of a frame.	7
Minimum standard message frame length (bits)		44–108

Table 7-7. Extended Message Frame

Field	Description	Bit Count
SOF	Start-of-frame. A dominant (0) bit marks the beginning of a message frame.	1
Arbitration	11 bits of the 29-bit message identifier.	32
	SRR. Substitute remote transmission request; always recessive (1).	
	IDE. Identifier extension bit; always recessive (1).	
	18 bits of the 29-bit message identifier.	
	RTR. Remote transmission request; always recessive (1).	
Control	r0. Reserved bit; always dominant (0).	6
	r1. Reserved bit; always dominant (0).	
	DLC. Data length code. A 4-bit code indicating the number of data bytes (0–8).	
Data	Data. 1 to 8 bytes for data frames; 0 bytes for remote frames.	0–64
CRC	CRC code. A 15-bit CRC code plus a recessive (1) delimiter bit.	16
Ack	Acknowledgment. A dominant (0) bit sent by nodes receiving the frame plus a recessive (1) delimiter bit.	2
End of frame	7 recessive (1) bits mark the end of a frame.	7
Minimum extended message frame length (bits)		64–128

7.3.4 Error Detection and Management Logic

The CAN controller has several error detection mechanisms, including cyclical redundancy checking (CRC) and bit coding rules (stuffing and destuffing). The CAN controller generates a CRC code for transmitted messages and checks the CRC code of incoming messages. The CRC polynomial has been optimized for control applications with short messages.

After five consecutive bits of equal value are transmitted, a bit with the opposite polarity is added to the bit stream. This bit is called a *stuff bit*; by adding a transition, a stuff bit aids in synchronization. All message fields are stuffed except the CRC delimiter, the acknowledgment field, and the end-of-frame field.

Receiving nodes reject data from any message that is corrupted during transmission and send an error message via the CAN bus. Transmitting nodes monitor the CAN bus for error messages and automatically repeat a transmission if an error occurs. The following error types are detected:

- stuff error — more than 5 equal bits in a sequence have occurred in a part of a received message where this is not allowed
- form error — the fixed-format part of a received frame has the wrong format (for example, a reserved bit has the wrong value)
- acknowledgment error — this device transmitted a message, but it was not acknowledged by another node on the CAN bus. (The transmit error counter stops incrementing after 128 acknowledgment errors, so this error type does not cause a bus-off state.)
- bit 1 error — the CAN controller tried to send a recessive (logic 1) bit as part of a transmitted message (with the exception of the arbitration field), but the monitored CAN bus value was dominant (logic 0)
- bit 0 error — the CAN controller tried to send a dominant (logic 0) bit as part of a transmitted message (with the exception of the arbitration field), but the monitored CAN bus value was recessive (logic 1)
- CRC error — the CRC checksum received for an incoming message does not match the CRC value that the CAN controller calculated for the received data

The CAN status register indicates the type of the first transmission error that occurred on the CAN bus and whether an abnormal number of errors have occurred. Two counters (a receive error counter and a transmit error counter) track the number of errors. The status register's warning bit is set when the receive or transmit error counter reaches 96; the bus-off bit is set when either counter reaches 256. If this occurs, the CAN controller isolates itself from the CAN bus (floats the TX pin). Software must clear the INIT bit in the control register (Figure 7-6 on page 7-13) to begin a bus-off recovery sequence.

7.3.5 Bit Timing

A message object consists of a series of bits transmitted in consecutive bit times. The CAN protocol specifies a bit time composed of four separate, nonoverlapping time segments: a synchronization delay segment, a propagation delay segment, and two phase delay segments (Figure 7-4 and Table 7-8). The CAN controller implements a bit time as three segments, combining PROP_SEG and PHASE_SEG1 into t_{TSEG1} (Figure 7-5 and Table 7-9). This implementation is identical to that of the 82527 CAN peripheral.

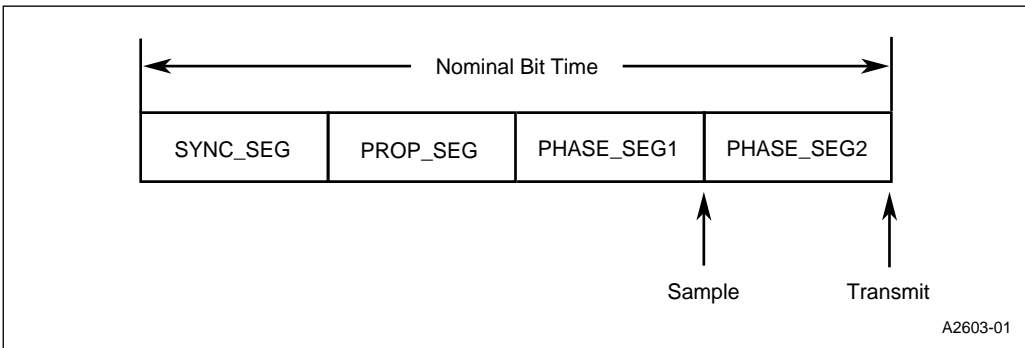


Figure 7-4. A Bit Time as Specified by the CAN Protocol

Table 7-8. CAN Protocol Bit Time Segments

Symbol	Definition
SYNC_SEG	The synchronization delay segment allows for synchronization of the various nodes on the bus. An edge is expected to lie within this segment.
PROP_SEG	The propagation delay segment compensates for the physical delay times within the network. It is twice the sum of the signal's propagation time on the bus line, the input comparator delay, and the output driver delay. The factor of two accounts for the requirement that all nodes monitor all bus transmissions for errors.
PHASE_SEG1	This segment compensates for edge phase errors. It can be lengthened or shortened by resynchronization.
PHASE_SEG2	This segment compensates for edge phase errors. It can be lengthened or shortened by resynchronization.

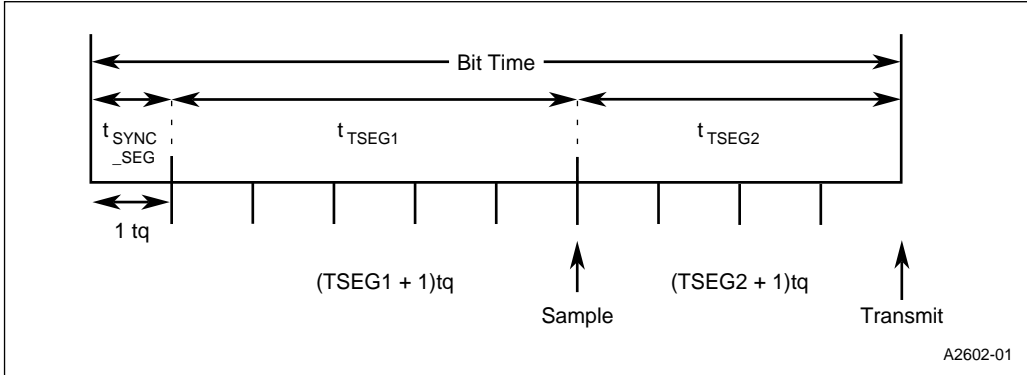


Figure 7-5. A Bit Time as Implemented in the CAN Controller

Table 7-9. CAN Controller Bit Time Segments

Symbol	Definition
$t_{\text{SYNC_SEG}}$	This time segment is equivalent to SYNC_SEG in the CAN protocol. Its length is one time quantum.
t_{TSEG1}	<p>This time segment is equivalent to the sum of PROP_SEG and PHASE_SEG1 in the CAN protocol. Its length is specified by the TSEG1 field in bit timing register 1. To allow for resynchronization, the sample point can be moved (t_{TSEG1} or t_{TSEG2} can be shortened and the other lengthened) by 1 to 4 time quanta, depending on the programmed value of the SJW field in bit timing register 0.</p> <p>The CAN controller samples the bus once or three times, depending on the value of the sampling mode (SPL) bit in bit timing register 0. In three-sample mode, the hardware lengthens t_{TSEG1} by 2 time quanta to allow time for the additional two bus samples. In this case, the “sample point” shown in Figure 7-5 is the time of the third sample; the first and second samples occur 2 and 1 time quanta earlier, respectively.</p>
t_{TSEG2}	This time segment is equivalent to PHASE_SEG2 in the CAN protocol. Its length is specified by the TSEG2 field in bit timing register 1. To allow for resynchronization, the sample point can be moved (t_{TSEG1} or t_{TSEG2} can be shortened and the other lengthened) by 1 to 4 time quanta, depending on the programmed value of the SJW field in bit timing register 0.

7.3.5.1 Bit Timing Equations

The bit timing equations of the integrated CAN controller are equivalent to those for the 82527 CAN peripheral with the DSC bit in the CPU interface register set (system clock divided by two). The following equations show the timing calculations for the integrated CAN controller and the 82527 CAN peripheral, respectively.

$$\text{CAN Controller CAN bus frequency} = \frac{F_{\text{osc}}}{2 \times (\text{BRP} + 1) \times (3 + \text{TSEG1} + \text{TSEG2})}$$

$$\text{82527 CAN bus frequency} = \frac{F_{\text{osc}}}{(\text{DSC} + 1) \times (\text{BRP} + 1) \times (3 + \text{TSEG1} + \text{TSEG2})}$$

where:

F_{osc} = the input clock frequency on the XTAL1 pin, in MHz

BRP = the value of the BRP bit in bit timing register 0

TSEG1 = the value of the TSEG1 field in bit timing register 0

TSEG2 = the value of the TSEG1 field in bit timing register 1

Table 7-10 defines the bit timing relationships of the CAN controller.

Table 7-10. Bit Timing Relationships

Timing Parameter	Definition
t_{BITTIME}	$t_{\text{SYNC_SEG}} + t_{\text{TSEG1}} + t_{\text{TSEG2}}$
t_{XTAL1}	input clock period on XTAL1 (50 ns at 20 MHz operation)
tq	$2t_{\text{XTAL1}} \times (\text{BRP} + 1)$, where BRP is a field in bit timing register 0 (valid values are 0–63)
$t_{\text{SYNC_SEG}}$	1tq
t_{TSEG1}	$(\text{TSEG1} + 1) \times \text{tq}$, where TSEG1 is a field in bit timing register 1 (valid values are 2–15)
t_{TSEG2}	$(\text{TSEG2} + 1) \times \text{tq}$, where TSEG2 is a field in bit timing register 1 (valid values are 1–7)
t_{SJW}	$(\text{SJW} + 1) \times \text{tq}$, where SJW is a field in bit timing register 0 (valid values are 0–3)
t_{PROP}	The portion of t_{TSEG1} that is equivalent to PROP_SEG as defined by the CAN protocol. Twice the maximum sum of the physical bus delay, input comparator delay, and output driver delay, rounded up to the nearest multiple of tq.

7.4 CONFIGURING THE CAN CONTROLLER

This section explains how to configure the CAN controller. Several registers combine to control the configuration: the CAN control register, the two bit timing registers, and the three mask registers.

7.4.1 Programming the CAN Control (CAN_CON) Register

The CAN control register (Figure 7-6) controls write access to the bit timing registers, enables and disables global interrupt sources (error, status change, and individual message object), and controls access to the CAN bus.

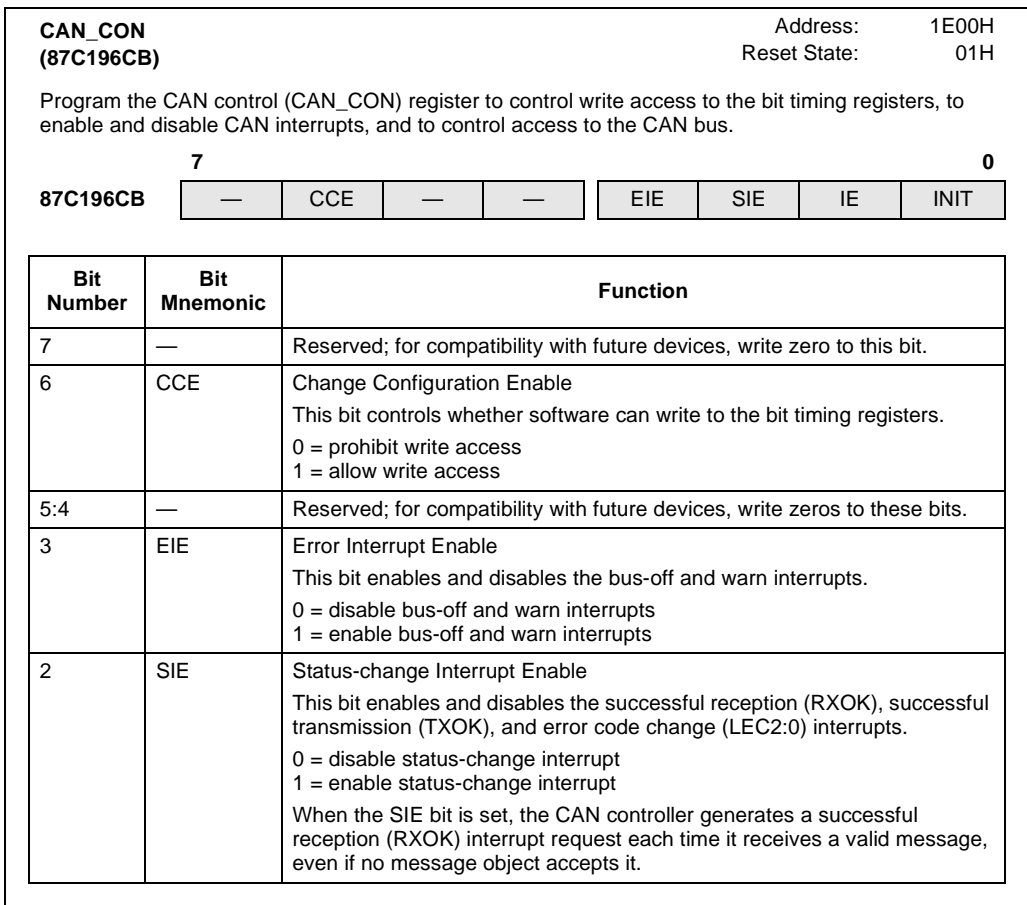


Figure 7-6. CAN Control (CAN_CON) Register

CAN_CON (Continued)
(87C196CB)

Address: 1E00H
Reset State: 01H

Program the CAN control (CAN_CON) register to control write access to the bit timing registers, to enable and disable CAN interrupts, and to control access to the CAN bus.



Bit Number	Bit Mnemonic	Function
1	IE	<p>Interrupt Enable</p> <p>This bit globally enables and disables interrupts (error, status-change, and message object transmit and receive interrupts).</p> <p>0 = disable interrupts 1 = enable interrupts</p> <p>When the IE bit is set, an interrupt is generated only if the corresponding interrupt source's enable bit (EIE or SIE in CAN_CON; TXIE or RXIE in CAN_MSGX_CON0) is also set. If the IE bit is clear, an interrupt request updates the CAN interrupt pending register, but does not generate an interrupt.</p>
0	INIT	<p>Software Initialization Enable</p> <p>Setting this bit isolates the CAN bus from the system. (If a transfer is in progress, it completes, but no additional transfers are allowed.)</p> <p>0 = software initialization disabled 1 = software initialization enabled</p> <p>A hardware reset sets this bit, enabling you to configure the RAM without allowing any CAN bus activity. After a hardware reset or software initialization, clearing this bit completes the initialization. The CAN peripheral waits for a bus idle state (11 consecutive recessive bits) before participating in bus activities.</p> <p>Software can set this bit to stop all receptions and transmissions on the CAN bus. (To prevent transmission of a specific message object while its contents are being updated, set the CPUUPD bit in the individual message object's control register 1. See "Configuring Message Objects" on page 7-20.)</p> <p>Entering powerdown mode stops an in-progress CAN transmission immediately. To avoid stopping a CAN transmission while it is sending a dominant bit on the CAN bus, set the INIT bit before executing the IDLPD instruction.</p> <p>The CAN peripheral also sets this bit to isolate the CAN bus when an error counter reaches 256. This isolation is called a <i>bus-off</i> condition. After a bus-off condition, clearing this bit initiates a bus-off recovery sequence, which clears the error counters. The CAN peripheral waits for 128 bus idle states (128 packets of 11 consecutive recessive bits), then resumes normal operation. (See "Bus-off State" on page 7-41.)</p>

Figure 7-6. CAN Control (CAN_CON) Register (Continued)

7.4.2 Programming the Bit Timing 0 (CAN_BTIME0) Register

Bit timing register 0 (Figure 7-7) defines the length of one time quantum and the maximum amount by which the sample point can be moved (t_{TSEG1} or t_{TSEG2} can be shortened and the other lengthened) to compensate for resynchronization.

<p>CAN_BTIME0 † (87C196CB)</p> <p>Program the CAN bit timing 0 (CAN_BTIME0) register to define the length of one time quantum and the maximum number of time quanta by which a bit time can be modified for resynchronization.</p>	<p>Address: 1E3FH Reset State: Unchanged</p>									
<div style="display: flex; justify-content: space-between; width: 100%;"> 7 0 </div> <div style="display: flex; justify-content: space-around; text-align: center; border: 1px solid black; padding: 2px;"> 87C196CB SJW1 SJW0 BRP5 BRP4 BRP3 BRP2 BRP1 BRP0 </div>										
<table border="1" style="width: 100%; border-collapse: collapse;"> <thead> <tr> <th style="width: 10%;">Bit Number</th> <th style="width: 15%;">Bit Mnemonic</th> <th style="width: 75%;">Function</th> </tr> </thead> <tbody> <tr> <td style="text-align: center;">7:6</td> <td style="text-align: center;">SJW1:0</td> <td> <p>Synchronization Jump Width</p> <p>This field defines the maximum number of time quanta by which a resynchronization can modify t_{TSEG1} and t_{TSEG2}. Valid programmed values are 0–3. The hardware adds 1 to the programmed value, so a “1” value causes the CAN peripheral to add or subtract 2 time quanta, for example. This adjustment has no effect on the total bit time; if t_{TSEG1} is increased by 2 tq, t_{TSEG2} is decreased by 2 tq, and vice versa.</p> </td> </tr> <tr> <td style="text-align: center;">5:0</td> <td style="text-align: center;">BRP5:0</td> <td> <p>Baud-rate Prescaler</p> <p>This field defines the length of one time quantum (tq), using the following formula, where t_{XTAL1} is the input clock period on XTAL1. Valid programmed values are 0–63.</p> $tq = 2t_{XTAL1} \times (BRP + 1)$ <p>For example, at 20 MHz operation, the system clock period is 50 ns. Writing 3 to BRP achieves a time quanta of 400 ns; writing 1 to BRP achieves a time quanta of 200 ns.</p> $tq = (2 \times 50) \times (3 + 1) = 400 \text{ ns}$ $tq = (2 \times 50) \times (1 + 1) = 200 \text{ ns}$ </td> </tr> </tbody> </table>		Bit Number	Bit Mnemonic	Function	7:6	SJW1:0	<p>Synchronization Jump Width</p> <p>This field defines the maximum number of time quanta by which a resynchronization can modify t_{TSEG1} and t_{TSEG2}. Valid programmed values are 0–3. The hardware adds 1 to the programmed value, so a “1” value causes the CAN peripheral to add or subtract 2 time quanta, for example. This adjustment has no effect on the total bit time; if t_{TSEG1} is increased by 2 tq, t_{TSEG2} is decreased by 2 tq, and vice versa.</p>	5:0	BRP5:0	<p>Baud-rate Prescaler</p> <p>This field defines the length of one time quantum (tq), using the following formula, where t_{XTAL1} is the input clock period on XTAL1. Valid programmed values are 0–63.</p> $tq = 2t_{XTAL1} \times (BRP + 1)$ <p>For example, at 20 MHz operation, the system clock period is 50 ns. Writing 3 to BRP achieves a time quanta of 400 ns; writing 1 to BRP achieves a time quanta of 200 ns.</p> $tq = (2 \times 50) \times (3 + 1) = 400 \text{ ns}$ $tq = (2 \times 50) \times (1 + 1) = 200 \text{ ns}$
Bit Number	Bit Mnemonic	Function								
7:6	SJW1:0	<p>Synchronization Jump Width</p> <p>This field defines the maximum number of time quanta by which a resynchronization can modify t_{TSEG1} and t_{TSEG2}. Valid programmed values are 0–3. The hardware adds 1 to the programmed value, so a “1” value causes the CAN peripheral to add or subtract 2 time quanta, for example. This adjustment has no effect on the total bit time; if t_{TSEG1} is increased by 2 tq, t_{TSEG2} is decreased by 2 tq, and vice versa.</p>								
5:0	BRP5:0	<p>Baud-rate Prescaler</p> <p>This field defines the length of one time quantum (tq), using the following formula, where t_{XTAL1} is the input clock period on XTAL1. Valid programmed values are 0–63.</p> $tq = 2t_{XTAL1} \times (BRP + 1)$ <p>For example, at 20 MHz operation, the system clock period is 50 ns. Writing 3 to BRP achieves a time quanta of 400 ns; writing 1 to BRP achieves a time quanta of 200 ns.</p> $tq = (2 \times 50) \times (3 + 1) = 400 \text{ ns}$ $tq = (2 \times 50) \times (1 + 1) = 200 \text{ ns}$								
<p>† The CCE bit (CAN_CON.6) must be set to enable write access to this register.</p>										

Figure 7-7. CAN Bit Timing 0 (CAN_BTIME0) Register

7.4.3 Programming the Bit Timing 1 (CAN_BTTIME1) Register

Bit timing register 1 (Figure 7-8) controls the time at which the bus is sampled and the number of samples taken. In single-sample mode, the bus is sampled once and the value of that sample is considered valid. In three-sample mode, the bus is sampled three times and the value of the majority of those samples is considered valid. Single-sample mode may achieve a faster transmission rate, but it is more susceptible to errors caused by noise on the CAN bus. Three-sample mode is less susceptible to noise-related errors, but it may be slower. If you specify three-sample mode, the hardware adds two time quanta to the TSEG1 value to allow time for two additional samples during t_{TSEG1} .

CAN_BTTIME1 †
(87C196CB)

Address: 1E4FH
Reset State: Unchanged

Program the CAN bit timing 1 (CAN_BTTIME1) register to define the sample time and the sample mode. The CAN controller samples the bus during the last one (in single-sample mode) or three (in three-sample mode) time quanta of t_{TSEG1} , and initiates a transmission at the end of t_{TSEG2} . Therefore, specifying the lengths of t_{TSEG1} and t_{TSEG2} defines both the sample point and the transmission point.

7
0

87C196CB

SPL

TSEG2

TSEG1

Bit Number	Bit Mnemonic	Function
7	SPL	Sampling Mode This bit determines how many samples are taken to determine a valid bit value. 0 = 1 sample 1 = 3 samples, using majority logic
6:4	TSEG2 ^{††}	Time Segment 2 This field determines the length of time that follows the sample point within a bit time. Valid programmed values are 1–7; the hardware adds 1 to this value.
3:0	TSEG1 ^{††}	Time Segment 1 This field defines the length of time that precedes the sample point within a bit time. Valid programmed values are 2–15; the hardware adds 1 to this value. In three-sample mode, the hardware adds 2 time quanta to allow time for the two additional samples.

† The CCE bit (CAN_CON.6) must be set to enable write access to this register.

†† For correct operation according to the CAN protocol, the total bit time must be at least 8 time quanta, so the sum of the programmed values of TSEG1 and TSEG2 must be at least 5. (The total bit time is the sum of $t_{SYNC_SEG} + t_{TSEG1} + t_{TSEG2}$. The length of t_{SYNC_SEG} is 1 time quanta, and the hardware adds 1 to both TSEG1 and TSEG2. Therefore, if $TSEG1 + TSEG2 = 5$, the total bit length will be equal to 8 (1+5+1+1)). Table 7-11 lists additional conditions that must be met to maintain synchronization.

Figure 7-8. CAN Bit Timing 1 (CAN_BTTIME1) Register

Table 7-11. Bit Timing Requirements for Synchronization

Bit Time Segment	Requirement	Comments
t _{TSEG1}	≥ 3t _q	minimum tolerance with 1t _q propagation delay allowance
	≥ t _{SJW} + t _{PROP}	for single-sample mode
	≥ t _{SJW} + t _{PROP} + 2t _q	for three-sample mode
t _{TSEG2}	≥ 2t _q	minimum tolerance
	≥ t _{SJW}	if t _{SJW} > t _{TSEG2} , sampling may occur after the bit time

7.4.4 Programming a Message Acceptance Filter

The mask registers provide a method for developing an acceptance filtering strategy. Without a filtering strategy, a message object could accept an incoming message only if their identifiers were identical. The mask registers allow a message object to ignore one or more bits of incoming message identifiers, so it can accept a range of message identifiers.

The standard global mask register (Figure 7-9) applies to messages with standard (11-bit) message identifiers, while the extended global mask register (Figure 7-10) applies to messages with extended (29-bit) identifiers. The message 15 mask register (Figure 7-11) provides an additional filter for message object 15, to allow it to accept a greater range of message identifiers than message objects 1–14 can. Clear a mask bit to accept either a zero or a one in that position.

The CAN controller applies the appropriate global mask to each incoming message identifier and checks for an acceptance match on message objects 1–14. If no match exists, it then applies the message 15 mask and checks for a match on message object 15.

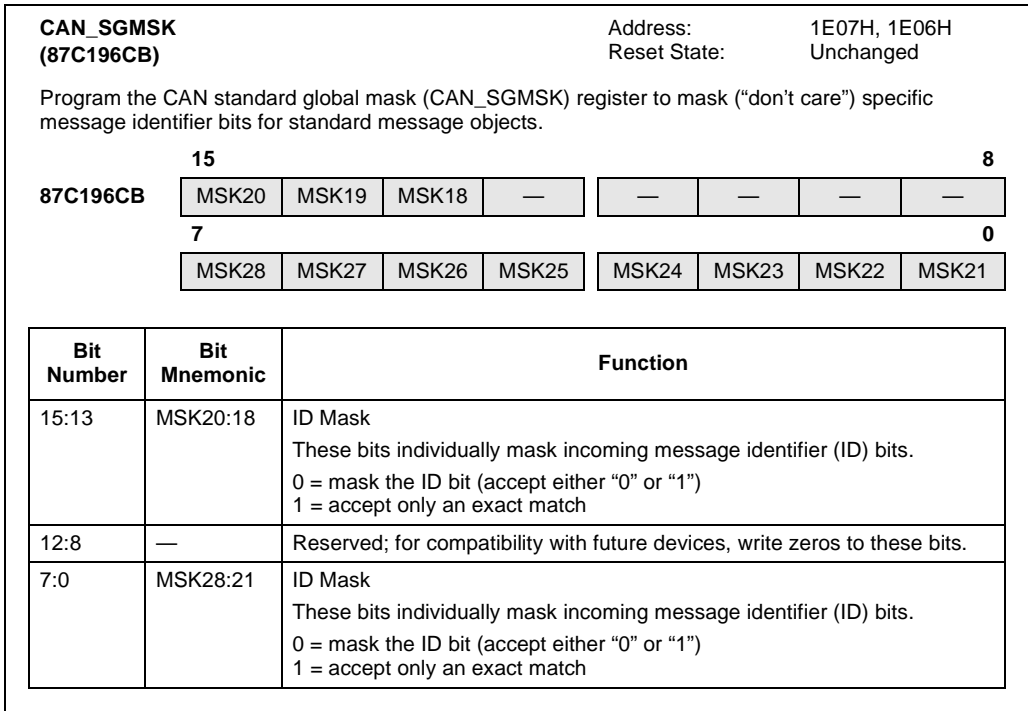


Figure 7-9. CAN Standard Global Mask (CAN_SGMSK) Register

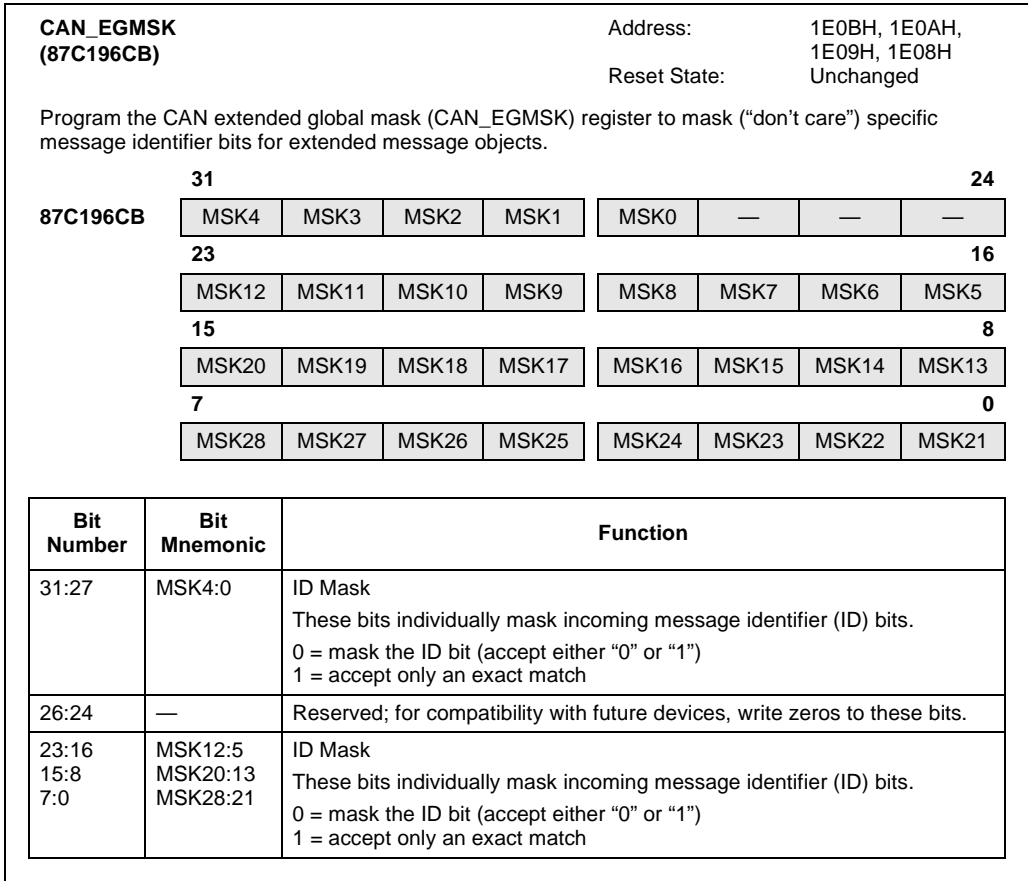


Figure 7-10. CAN Extended Global Mask (CAN_EGMSK) Register

CAN_MSK15 †
(87C196CB)

Address: 1E0FH, 1E0EH, 1E0DH, 1E0CH
Reset State: Unchanged

Program the CAN message 15 mask (CAN_MSK15) register to mask (“don’t care”) specific message identifier bits for message 15 in addition to those bits masked by a global mask (CAN_EGMSK or CAN_SGMSK).

87C196CB	31	MSK4	MSK3	MSK2	MSK1	MSK0	—	—	—	24
	23	MSK12	MSK11	MSK10	MSK9	MSK8	MSK7	MSK6	MSK5	16
	15	MSK20	MSK19	MSK18	MSK17	MSK16	MSK15	MSK14	MSK13	8
	7	MSK28	MSK27	MSK26	MSK25	MSK24	MSK23	MSK22	MSK21	0

Bit Number	Function		
31:27	<table border="1" style="width: 100%; border-collapse: collapse;"> <tr> <td style="width: 15%;">MSK4:0</td> <td>ID Mask These bits individually mask incoming message identifier (ID) bits. 0 = mask the ID bit (accept either “0” or “1”) 1 = accept only an exact match</td> </tr> </table>	MSK4:0	ID Mask These bits individually mask incoming message identifier (ID) bits. 0 = mask the ID bit (accept either “0” or “1”) 1 = accept only an exact match
MSK4:0	ID Mask These bits individually mask incoming message identifier (ID) bits. 0 = mask the ID bit (accept either “0” or “1”) 1 = accept only an exact match		
26:24	— Reserved. These bits are undefined; for compatibility with future devices, do not modify these bits.		
23:16 15:8 7:0	<table border="1" style="width: 100%; border-collapse: collapse;"> <tr> <td style="width: 15%;">MSK12:5 MSK20:13 MSK28:21</td> <td>ID Mask These bits individually mask incoming message identifier (ID) bits. 0 = mask the ID bit (accept either “0” or “1”) 1 = accept only an exact match</td> </tr> </table>	MSK12:5 MSK20:13 MSK28:21	ID Mask These bits individually mask incoming message identifier (ID) bits. 0 = mask the ID bit (accept either “0” or “1”) 1 = accept only an exact match
MSK12:5 MSK20:13 MSK28:21	ID Mask These bits individually mask incoming message identifier (ID) bits. 0 = mask the ID bit (accept either “0” or “1”) 1 = accept only an exact match		

† Setting a CAN_MSK15 bit in any position that is cleared in the global mask register has no effect. The message 15 mask is ANDed with the global mask, so any “don’t care” bits defined in a global mask are also “don’t care” bits for message 15.

Figure 7-11. CAN Message 15 Mask (CAN_MSK15) Register

7.5 CONFIGURING MESSAGE OBJECTS

Each message object consists of a configuration register, a message identifier, control registers, and data registers (from zero to eight bytes of data). This section explains how to configure message objects and determine their status.

7.5.1 Specifying a Message Object’s Configuration

Each message object configuration register (Figure 7-12) specifies a message identifier type (standard or extended), transfer direction (transmit or receive), and data length (in bytes).

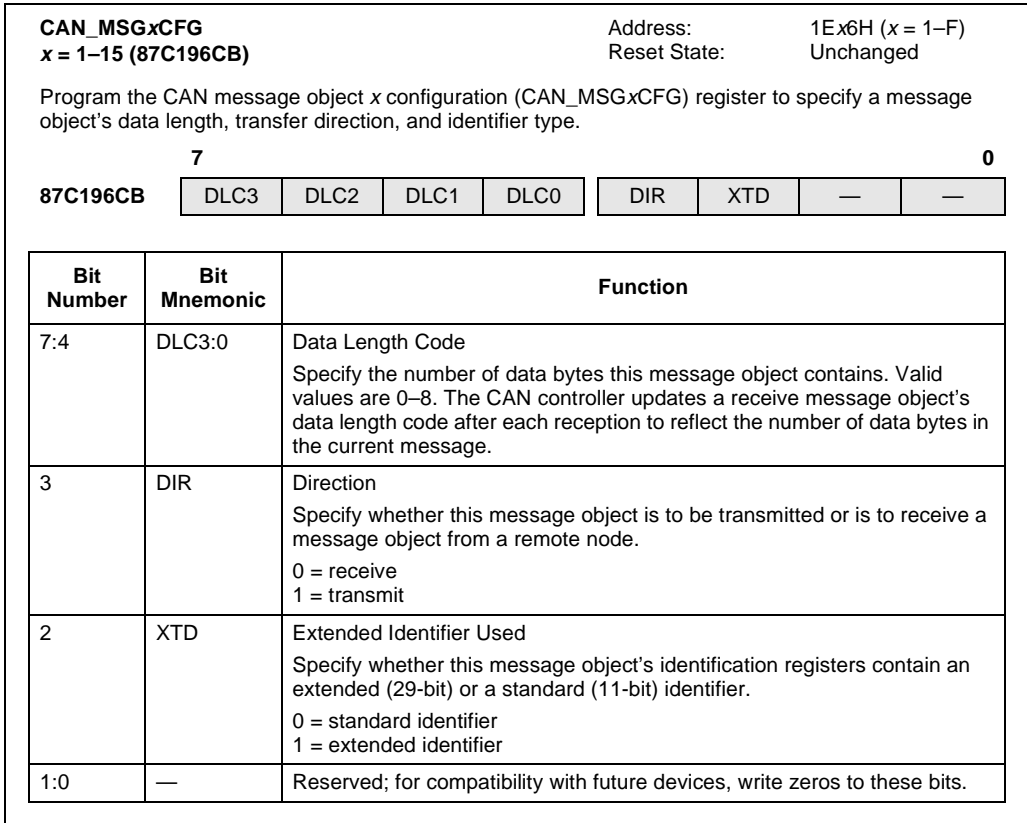


Figure 7-12. CAN Message Object x Configuration (CAN_MSGxCFG) Register

Set the XTD bit for a message object with an extended identifier; clear it for a message with a standard identifier. If you accidentally clear the XTD bit for a message that has an extended identifier, the CAN controller will clear the extended bits in the identification register. If you set the XTD bit for a message object, that message object cannot receive message objects with standard identifiers.

For a transmit message, set the DIR bit and write the number of programmed data bytes (0–8) to the DLC field. For a receive message, clear the DIR bit. The CAN controller stores the data length from the received message in the DLC field.

7.5.2 Programming the Message Object Identifier

Each message identifier register (Figure 7-13) specifies the message’s identifier. For messages with extended identifiers, write the identifier to bits ID28:0. For messages with standard identifiers, write the identifier to bits ID28:18. Software can change the identifier during normal operation without requiring a subsequent device reset. Clear the MSGVAL bit in the corresponding message control register 0 to prevent the CAN controller from accessing the message object while the modification takes place, then set the bit to allow access.

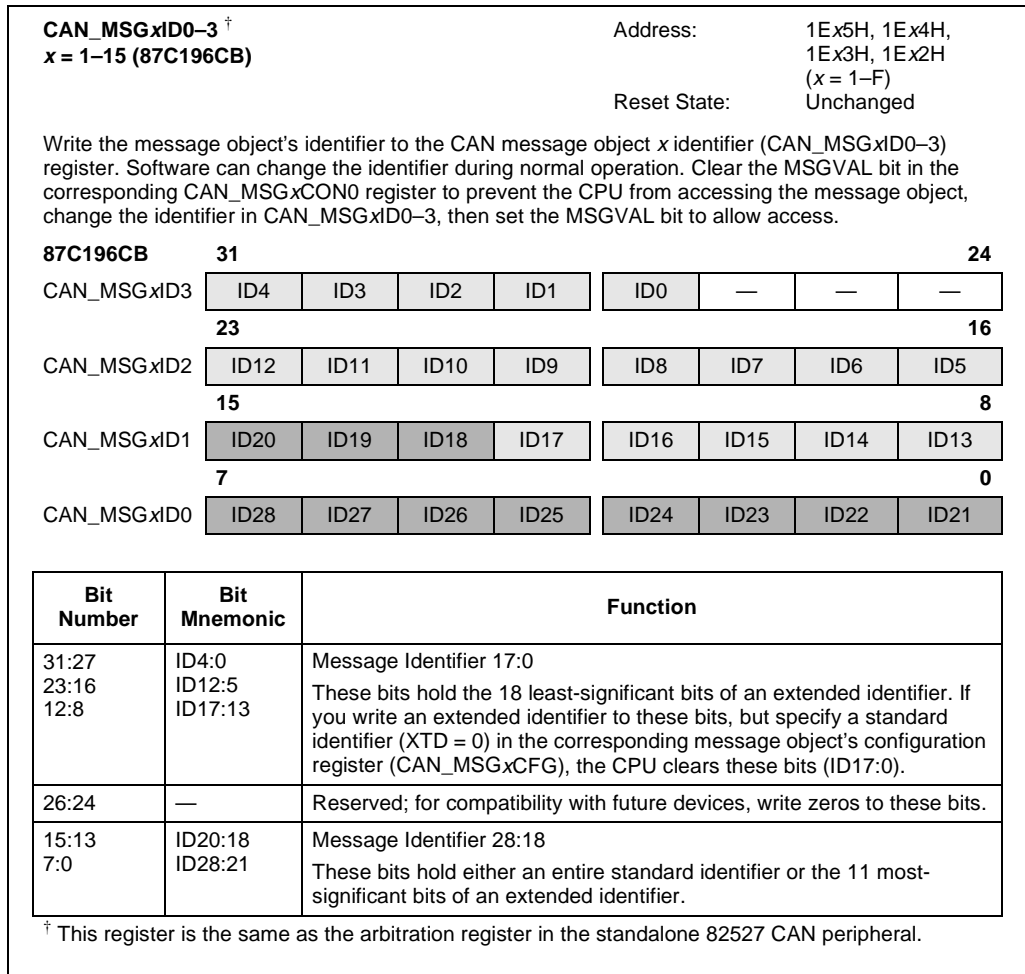


Figure 7-13. CAN Message Object x Identifier (CAN_MSGxID0–3) Register

7.5.3 Programming the Message Object Control Registers

Each message object control register consists of four bit pairs — one bit of each pair is in true form and one is in complement form. This format allows software to set or clear any bit with a single write operation, without affecting the remaining bits. Table 7-12 shows how to interpret the bit-pair values.

Table 7-12. Control Register Bit-pair Interpretation

Access Type	MSB	LSB	Definition
Write	0	0	Not allowed (indeterminate)
	0	1	Clear (0)
	1	0	Set (1)
	1	1	No change
Read	0	1	Clear (0)
	1	0	Set (1)

7.5.3.1 Message Object Control Register 0

Message object control register 0 (Figure 7-14) indicates whether an interrupt is pending, controls whether a successful transmission or reception generates an interrupt, and indicates whether a message object is ready to transmit.

7.5.3.2 Message Object Control Register 1

Message object control register 1 (Figure 7-15) indicates whether the message object contains new data, whether a message has been overwritten, whether the message is being updated, and whether a transmission or reception is pending. Message objects 1–14 have only a single buffer, so if a second message is received before the CPU reads the first, the first message is overwritten. Message object 15 has two alternating buffers, so it can receive a second message while the first is being processed. However, if a third message is received while the CPU is reading the first, the second message is overwritten.

7.5.4 Programming the Message Object Data

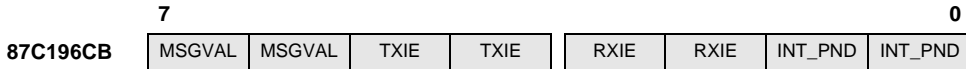
Each message object can have from zero to eight bytes of data. For transmit message objects, write the message data to the data registers (Figure 7-16). For receive message objects, the CAN controller stores the received data in these registers. The CAN controller writes random values to any unused data bytes during operation, so you should **not** use unused data bytes as scratch-pad memory.

CAN_MSGxCON0
x = 1–15 (87C196CB)

Address: 1Ex0H (x = 1–F)
 Reset State: Unchanged

Program the CAN message object x control 0 (CAN_MSGxCON0) register to indicate whether the message object is ready to transmit and to control whether a successful transmission or reception generates an interrupt. The least-significant bit-pair indicates whether an interrupt is pending.

This register consists of four bit-pairs — the most-significant bit of each pair is in true form and the least-significant bit is in complement form. This format allows software to set or clear any bit with a single write operation, without affecting the remaining bits.



Bit Number	Bit Mnemonic	Function
7:6	MSGVAL	Message Object Valid Set this bit-pair to indicate that a message object is valid (configured and ready for transmission or reception). bit 7 bit 6 0 1 not ready 1 0 message object is valid The CAN peripheral will access a message object only if this bit-pair indicates that the message is valid. If multiple message objects have the same identifier, only one can be valid at any given time. During initialization, software should clear this bit for any unused message objects. Software can clear this bit if a message is no longer needed or if you need to change a message object's contents or identifier.
5:4	TXIE	Transmit Interrupt Enable Receive message objects do not use this bit-pair. For transmit message objects, set this bit-pair to enable the CAN peripheral to initiate a transmit (TX) interrupt after a successful transmission. You must also set the interrupt enable bit (CAN_CON.1) to enable the interrupt. bit 5 bit 4 0 1 no interrupt 1 0 generate an interrupt

Figure 7-14. CAN Message Object x Control 0 (CAN_MSGxCON0) Register

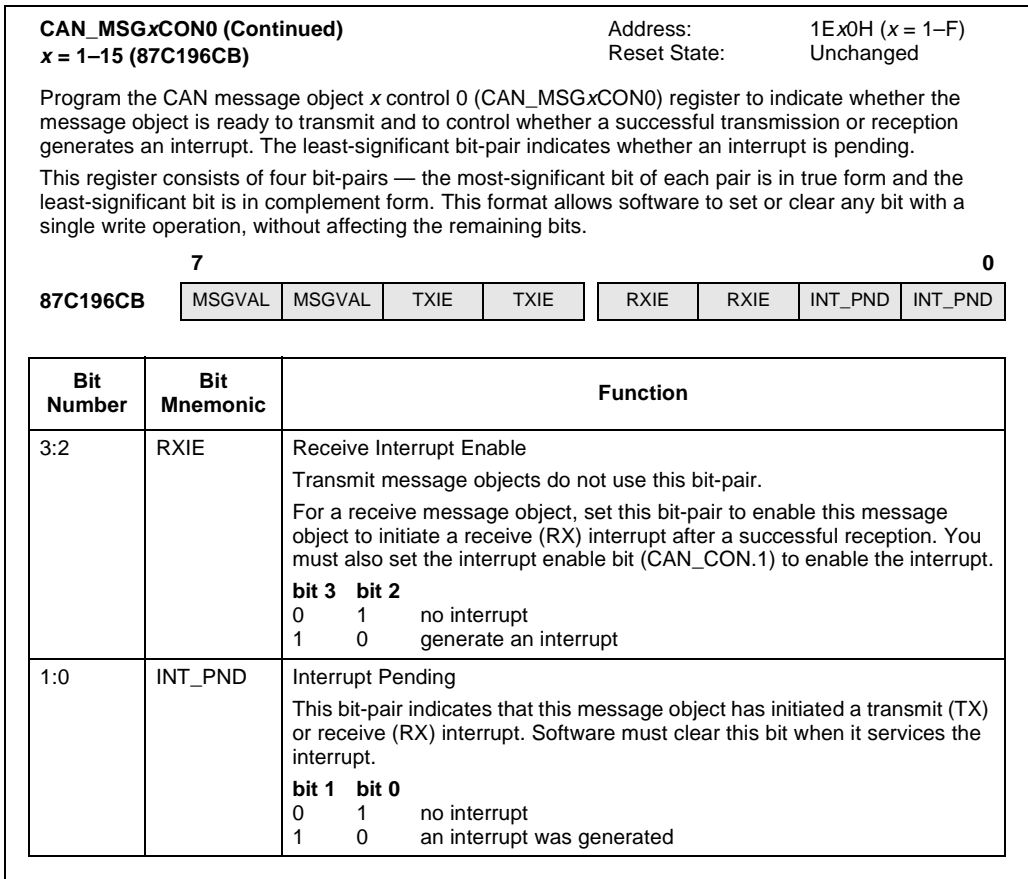


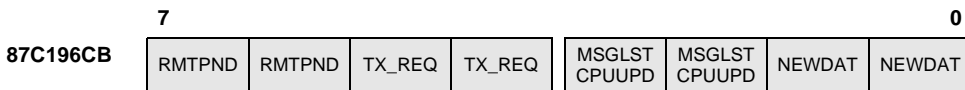
Figure 7-14. CAN Message Object x Control 0 (CAN_MSGxCON0) Register (Continued)

CAN_MSGxCON1
x = 1–15 (87C196CB)

Address: 1Ex1H (x = 1–F)
 Reset State: Unchanged

The CAN message object x control 1 (CAN_MSGxCON1) register indicates whether a message object has been updated, whether a message has been overwritten, whether the CPU is updating the message, and whether a transmission or reception is pending.

This register consists of four bit-pairs — the most-significant bit of each pair is in true form and the least-significant bit is in complement form. This format allows software to set or clear any bit with a single write operation, without affecting the remaining bits.



Bit Number	Bit Mnemonic	Function
7:6	RMTPNB	Remote Request Pending Receive message objects do not use this bit-pair. The CAN controller sets this bit-pair to indicate that a remote frame has requested the transmission of a transmit message object. If the CPUUPD bit-pair is clear, the CAN controller transmits the message object, then clears RMTPNB. Setting RMTPNB does not cause a transmission; it only indicates that a transmission is pending. bit 7 bit 6 0 1 no pending request 1 0 a remote request is pending
5:4	TX_REQ	Transmission Request Set this bit-pair to cause a receive message object to transmit a remote frame (a request for transmission) or to cause a transmit object to transmit a data frame. Read this bit-pair to determine whether a transmission is in progress. bit 5 bit 4 0 1 no pending request; no transmission in progress 1 0 transmission request; transmission in progress

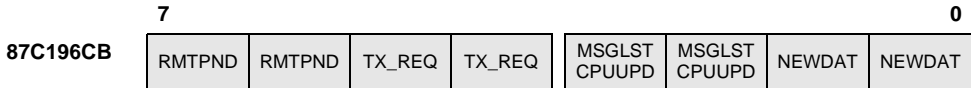
Figure 7-15. CAN Message Object x Control 1 (CAN_MSGxCON1) Register

CAN_MSGxCON1 (Continued)
x = 1–15 (87C196CB)

Address: 1Ex1H (x = 1–F)
 Reset State: Unchanged

The CAN message object x control 1 (CAN_MSGxCON1) register indicates whether a message object has been updated, whether a message has been overwritten, whether the CPU is updating the message, and whether a transmission or reception is pending.

This register consists of four bit-pairs — the most-significant bit of each pair is in true form and the least-significant bit is in complement form. This format allows software to set or clear any bit with a single write operation, without affecting the remaining bits.



Bit Number	Bit Mnemonic	Function												
3:2	MSGLST or CPUUPD	<p>Message Lost (Receive)</p> <p>For a receive message object, the CAN controller sets this bit-pair to indicate that it stored a new message while the NEWDAT bit-pair was still set, overwriting the previous message.</p> <p>bit 3 bit 2</p> <table style="margin-left: 20px;"> <tr> <td>0</td> <td>1</td> <td>no overwrite occurred</td> </tr> <tr> <td>1</td> <td>0</td> <td>a message was lost (overwritten)</td> </tr> </table> <p>CPU Updating (Transmit)</p> <p>For a transmit message object, software should set this bit-pair to indicate that it is in the process of updating the message contents. This prevents a remote frame from triggering a transmission that would contain invalid data.</p> <p>bit 3 bit 2</p> <table style="margin-left: 20px;"> <tr> <td>0</td> <td>1</td> <td>the message is valid</td> </tr> <tr> <td>1</td> <td>0</td> <td>software is updating data</td> </tr> </table>	0	1	no overwrite occurred	1	0	a message was lost (overwritten)	0	1	the message is valid	1	0	software is updating data
0	1	no overwrite occurred												
1	0	a message was lost (overwritten)												
0	1	the message is valid												
1	0	software is updating data												
1:0	NEWDAT	<p>New Data</p> <p>This bit-pair indicates whether a message object is valid (configured and ready for transmission).</p> <p>bit 1 bit 2</p> <table style="margin-left: 20px;"> <tr> <td>0</td> <td>1</td> <td>not ready</td> </tr> <tr> <td>1</td> <td>0</td> <td>message object is valid</td> </tr> </table> <p>For receive message objects, the CAN peripheral sets this bit-pair when it stores new data into the message object.</p> <p>For transmit message objects, set this bit-pair and clear the CPUUPD bit-pair to indicate that the message contents have been updated. Clearing CPUUPD prevents a remote frame from triggering a transmission that would contain invalid data.</p> <p>During initialization, clear this bit for any unused message objects.</p>	0	1	not ready	1	0	message object is valid						
0	1	not ready												
1	0	message object is valid												

Figure 7-15. CAN Message Object x Control 1 (CAN_MSGxCON1) Register (Continued)

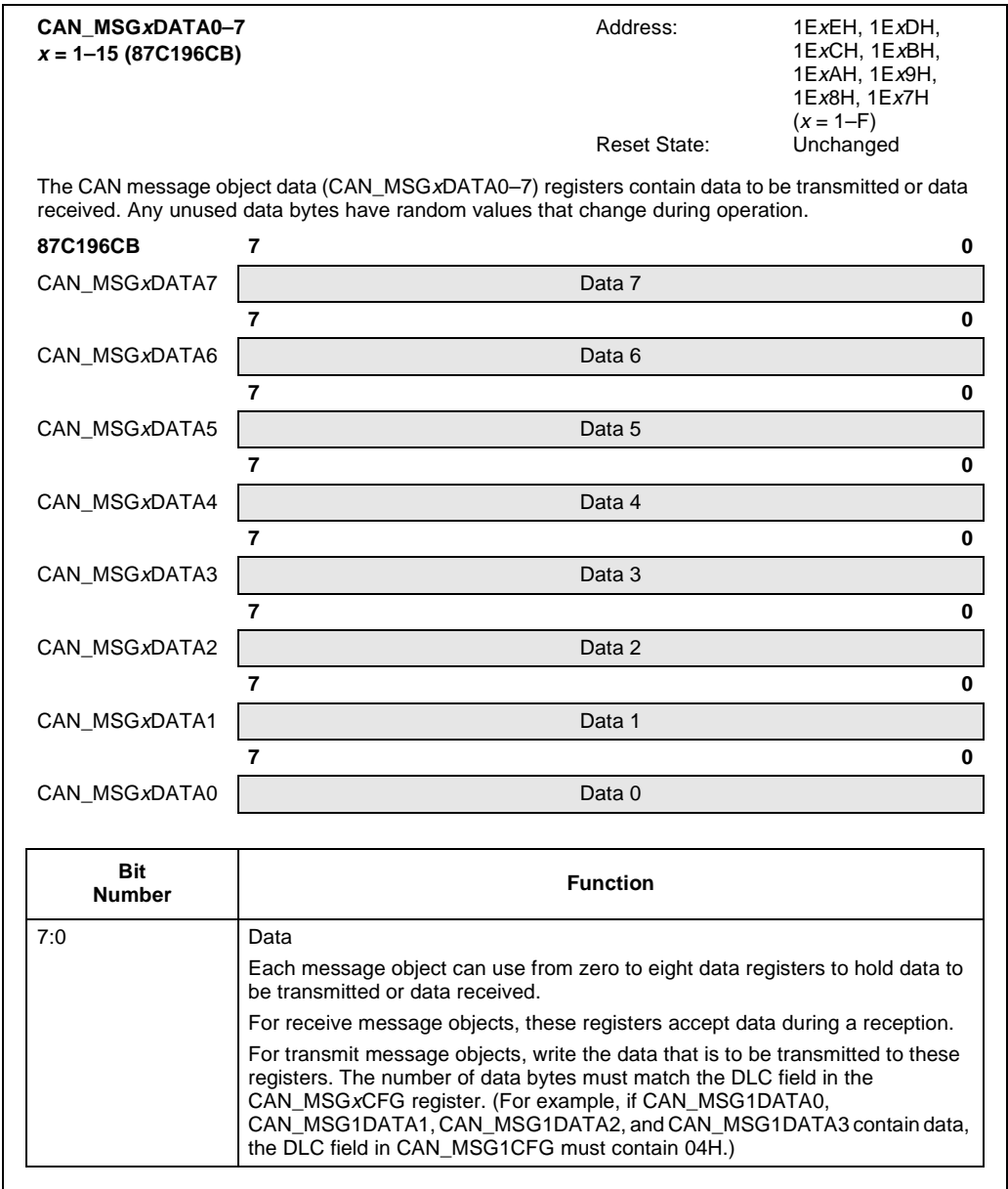


Figure 7-16. CAN Message Object Data (CAN_MSGxDATA0–7) Registers

7.6 ENABLING THE CAN INTERRUPTS

The CAN controller has a single interrupt input (INT13) to the interrupt controller. (Generally, PTS interrupt service is not useful for the CAN controller because the PTS cannot readily determine the source of the CAN controller’s multiplexed interrupts.) To enable the CAN controller’s interrupts, you must enable the interrupt source by setting the CAN bit in INT_MASK1 (see Table 7-2 on page 7-3) and globally enable interrupt servicing (by executing the EI instruction). In addition, you must set bits in the CAN control register (Figure 7-17) and the individual message objects’ control register 0 (Figure 7-18) to enable the individual interrupt sources within the CAN controller.

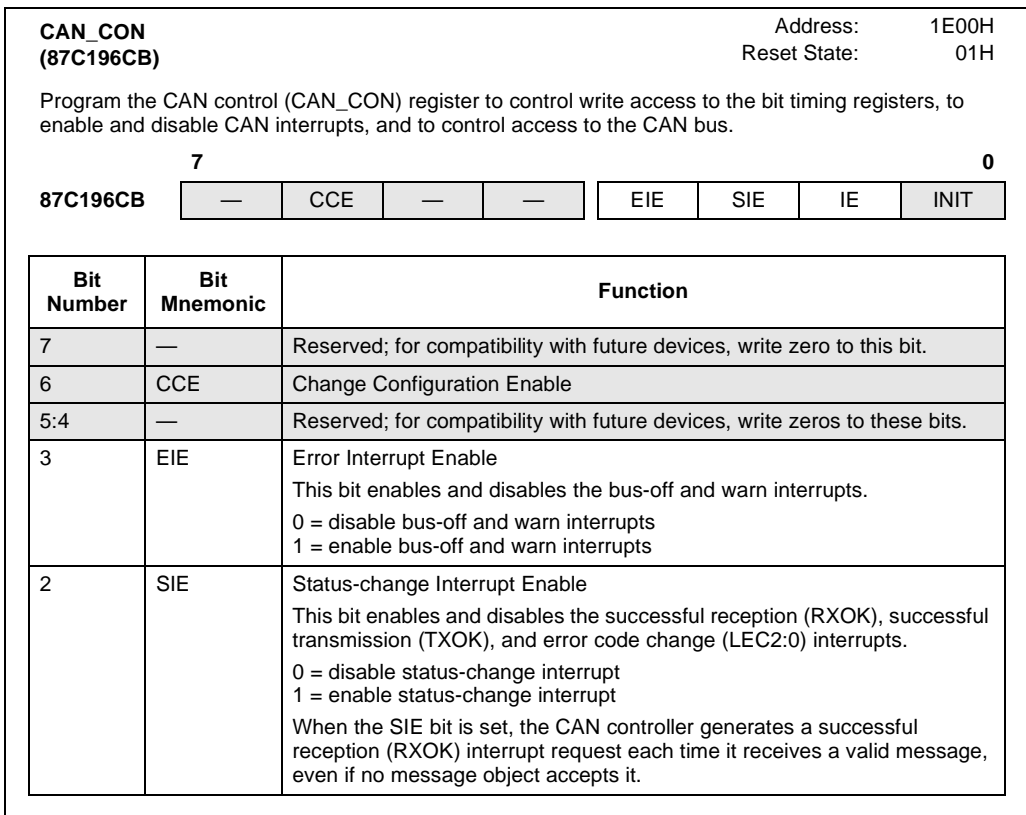


Figure 7-17. CAN Control (CAN_CON) Register

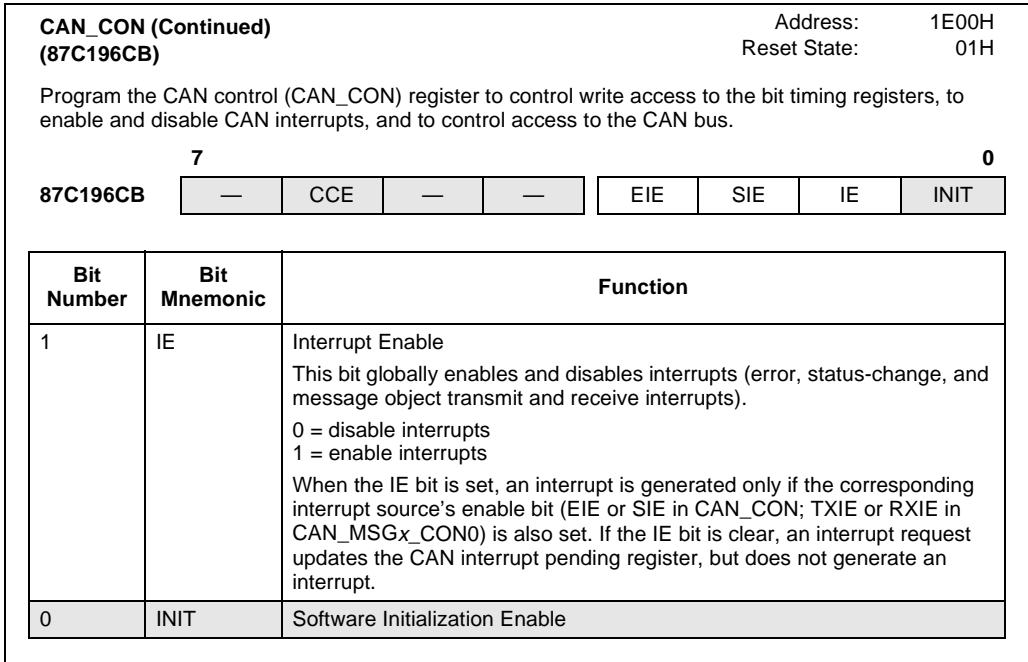


Figure 7-17. CAN Control (CAN_CON) Register (Continued)

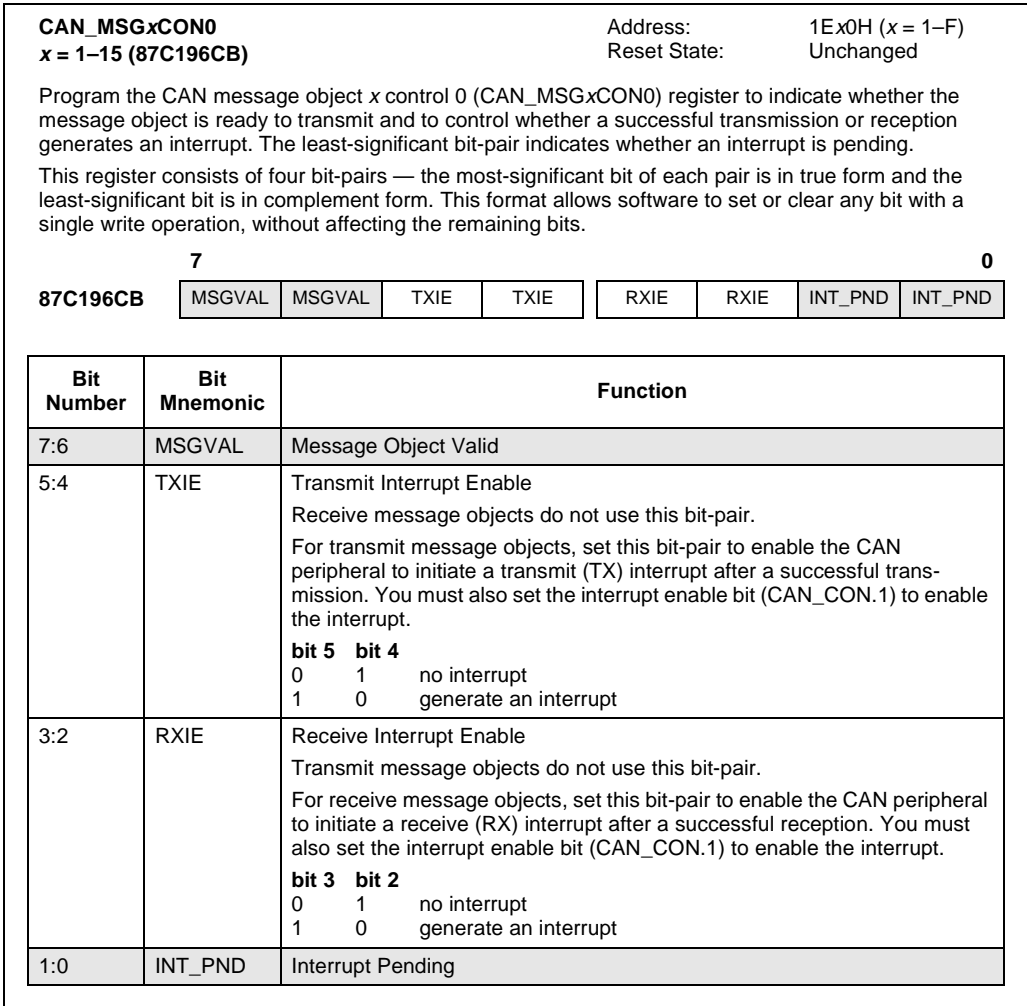


Figure 7-18. CAN Message Object x Control 0 (CAN_MSGxCON0) Register

When the SIE bit in the CAN control register is set, the CAN controller generates a successful reception (RXOK) interrupt request each time it receives a valid message, even if no message object accepts it. If you set both the SIE bit (Figure 7-17) and an individual message object’s RXIE bit (Figure 7-18), the CAN controller generates two interrupt requests each time a message object receives a message. The status change interrupt is useful during development to detect bus errors caused by noise or other hardware problems. However, you should disable this interrupt during normal operation in most applications. If the status change interrupt is enabled, each status change generates an interrupt request, placing an unnecessary burden on the CPU. To prevent redundant interrupt requests, enable the error interrupt sources (with the EIE bit) and enable the receive and transmit interrupts in the individual message objects.

7.7 DETERMINING THE CAN CONTROLLER'S INTERRUPT STATUS

A successful reception or transmission or a change in the status register can cause the CAN controller to generate an interrupt request. The INT_PEND1 register (see Table 7-2 on page 7-3) indicates whether a CAN interrupt request is pending. The CAN interrupt pending register (Figure 7-19) indicates the source of the request (either the status register or a specific message object). Your interrupt service routine should read the CAN_INT register to ensure that no additional interrupts are pending before executing the return instruction.

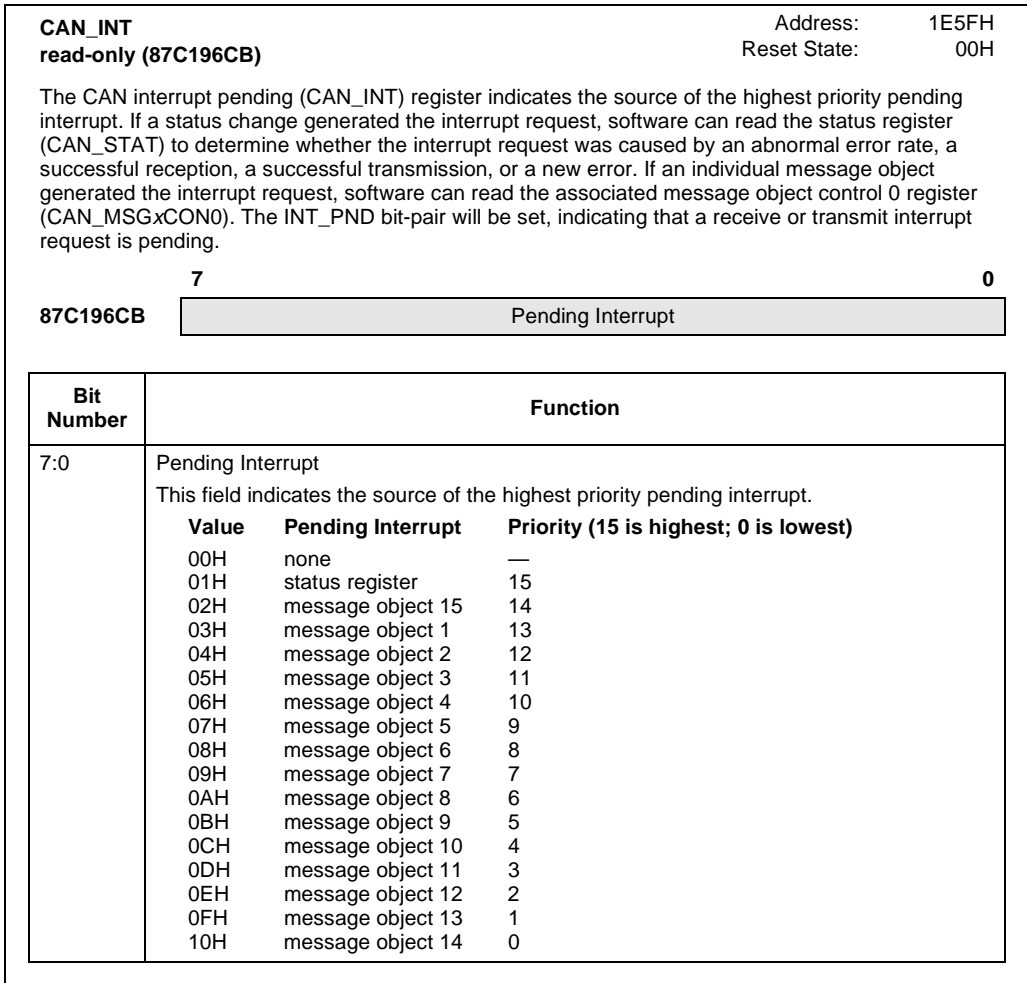


Figure 7-19. CAN Interrupt Pending (CAN_INT) Register

If a status change generated the interrupt (CAN_INT = 01H), software can read the CAN status register (Figure 7-20) to determine the source of the interrupt request.

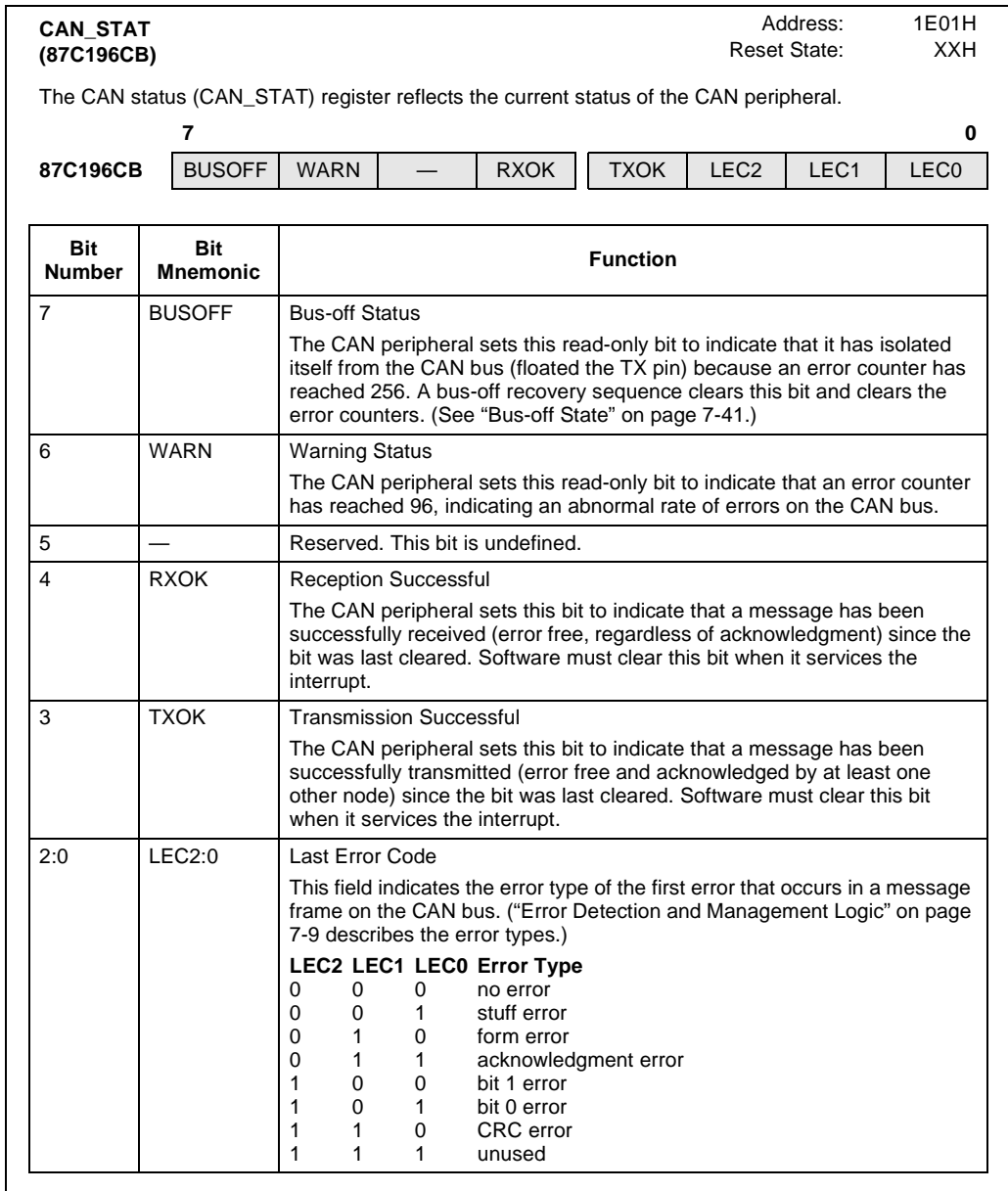


Figure 7-20. CAN Status (CAN_STAT) Register

If an individual message object caused the interrupt request (CAN_INT = 02–10H), software can read the associated message object control 0 register (Figure 7-21). The INT_PND bit-pair will be set, indicating that a receive or transmit interrupt request is pending

CAN_MSGxCON0
(n = 1–15)

Address: 1Ex0H (x=1–F)
Reset State: Unchanged

Program the CAN message object x control 0 register (CAN_MSGxCON0) to indicate whether the message object is ready to transmit and to control whether a successful transmission or reception generates an interrupt. The most-significant bit-pair indicates whether an interrupt is pending.

This register consists of four bit-pairs — the most-significant bit of each pair is in true form and the least-significant bit is in complement form. This format allows software to set or clear any bit with a single write operation, without affecting the remaining bits.



Bit Number	Bit Mnemonic	Function
7:6	MSGVAL	Message Object Valid
5:4	TXIE	Transmit Interrupt Enable
3:2	RXIE	Receive Interrupt Enable
1:0	INT_PND	Interrupt Pending This bit-pair indicates that the CAN peripheral has initiated a transmit (TX) or receive (RX) interrupt. Software must clear this bit when it services the interrupt. 01 = no interrupt 10 = an interrupt was generated

Figure 7-21. CAN Message Object x Control 0 (CAN_MSGxCON0) Register

7.8 FLOW DIAGRAMS

The flow diagrams in this section describe the steps that your software (shown as CPU) and the CAN controller execute to receive and transmit messages. Table 7-13 lists the register bits shown in the diagrams along with their associated registers and a cross-reference to the figure that describes them.

Table 7-13. Cross-reference for Register Bits Shown in Flowcharts

Bit Mnemonic	Register Mnemonic	Figure and Page
CPUUPD	CAN_MSGxCON1	Figure 7-15 on page 7-26
DIR	CAN_MSGxCFG	Figure 7-12 on page 7-21
DLC	CAN_MSGxCFG	Figure 7-12 on page 7-21
ID	CAN_MSGxID	Figure 7-13 on page 7-22
INT_PND	CAN_MSGxCON0	Figure 7-14 on page 7-24
MSGLST	CAN_MSGxCON1	Figure 7-15 on page 7-26
MSGVAL	CAN_MSGxCON0	Figure 7-14 on page 7-24
NEWDAT	CAN_MSGxCON1	Figure 7-15 on page 7-26
RMTPND	CAN_MSGxCON1	Figure 7-15 on page 7-26
RXIE	CAN_MSGxCON0	Figure 7-14 on page 7-24
TXIE	CAN_MSGxCON0	Figure 7-14 on page 7-24
TX_REG	CAN_MSGxCON1	Figure 7-15 on page 7-26
XTD	CAN_MSGxCFG	Figure 7-12 on page 7-21

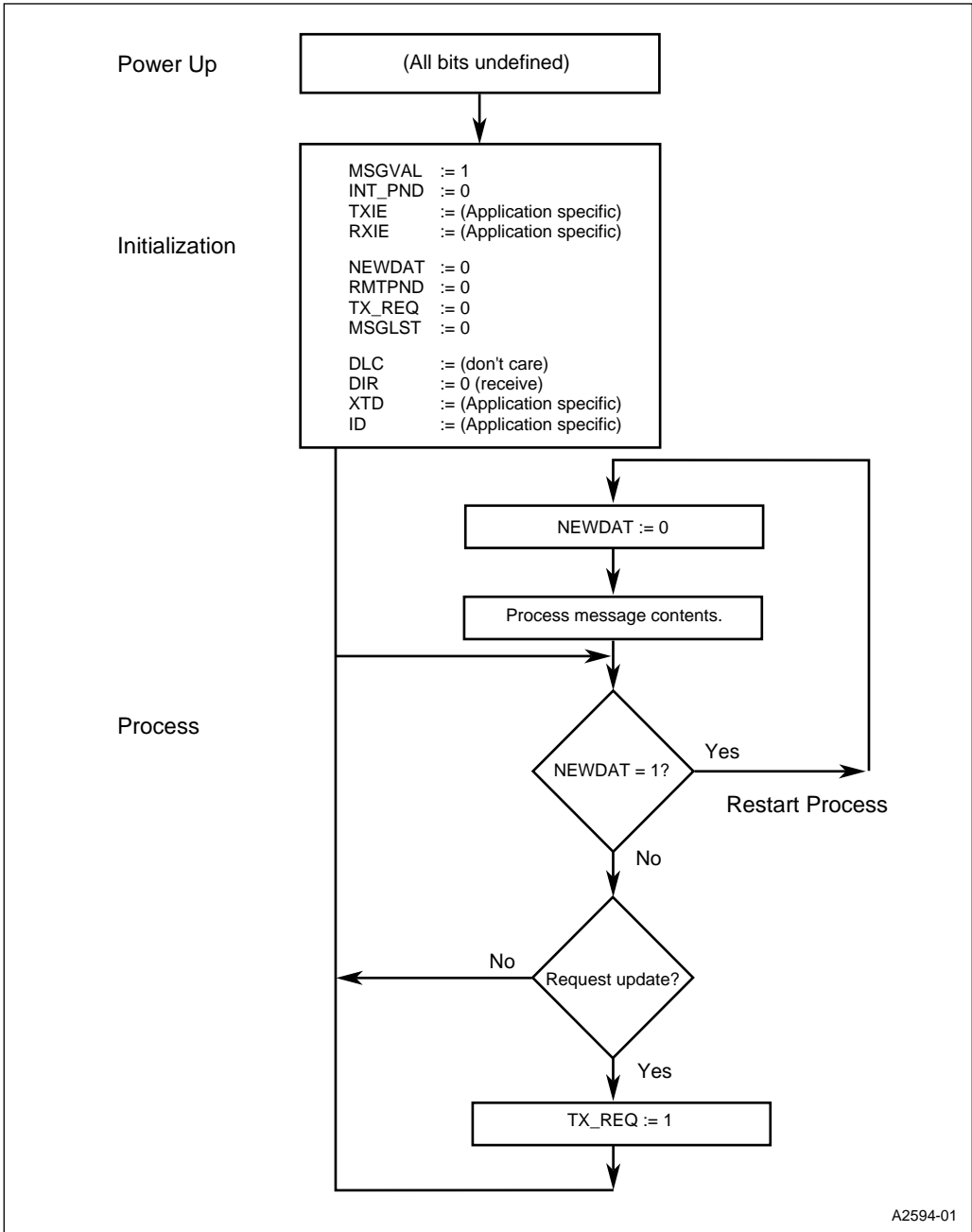


Figure 7-22. Receiving a Message for Message Objects 1–14 — CPU Flow

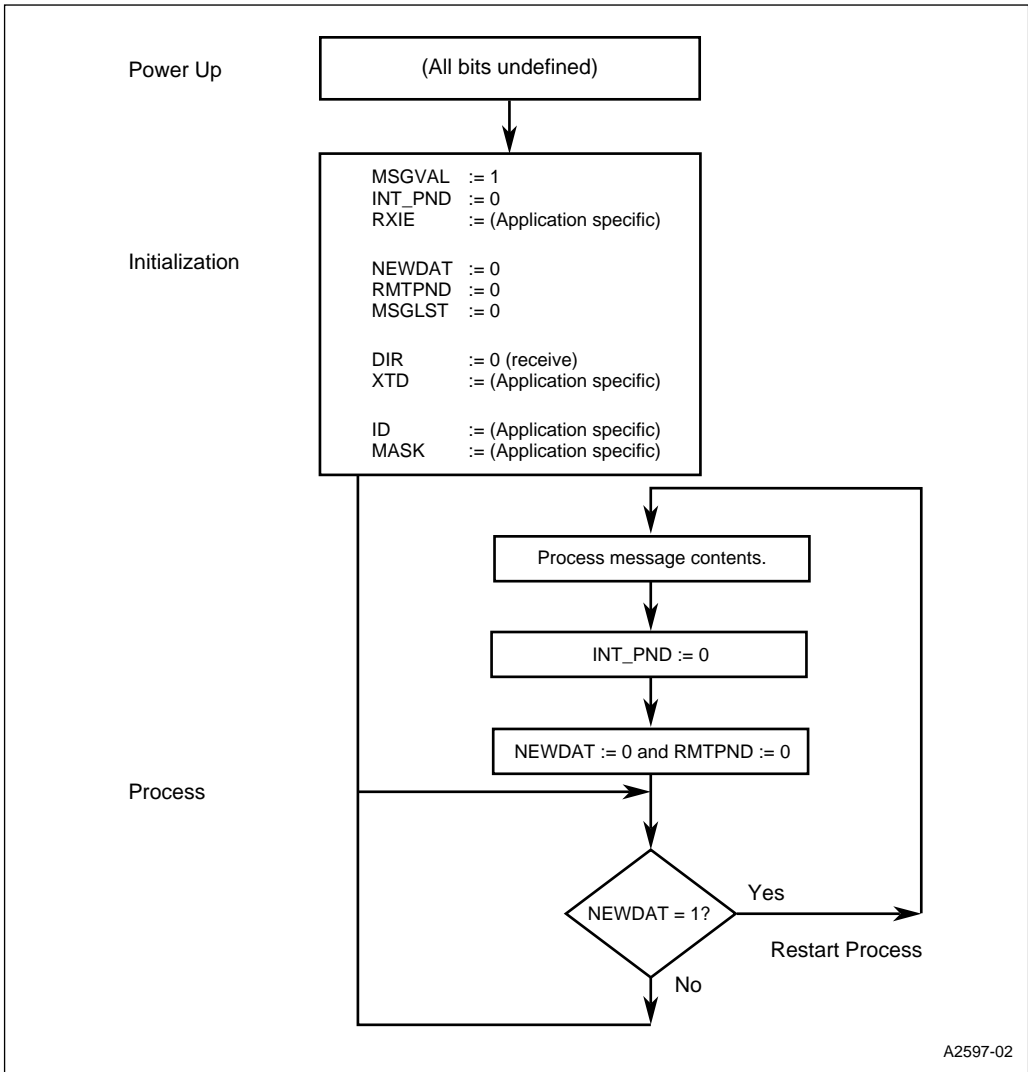
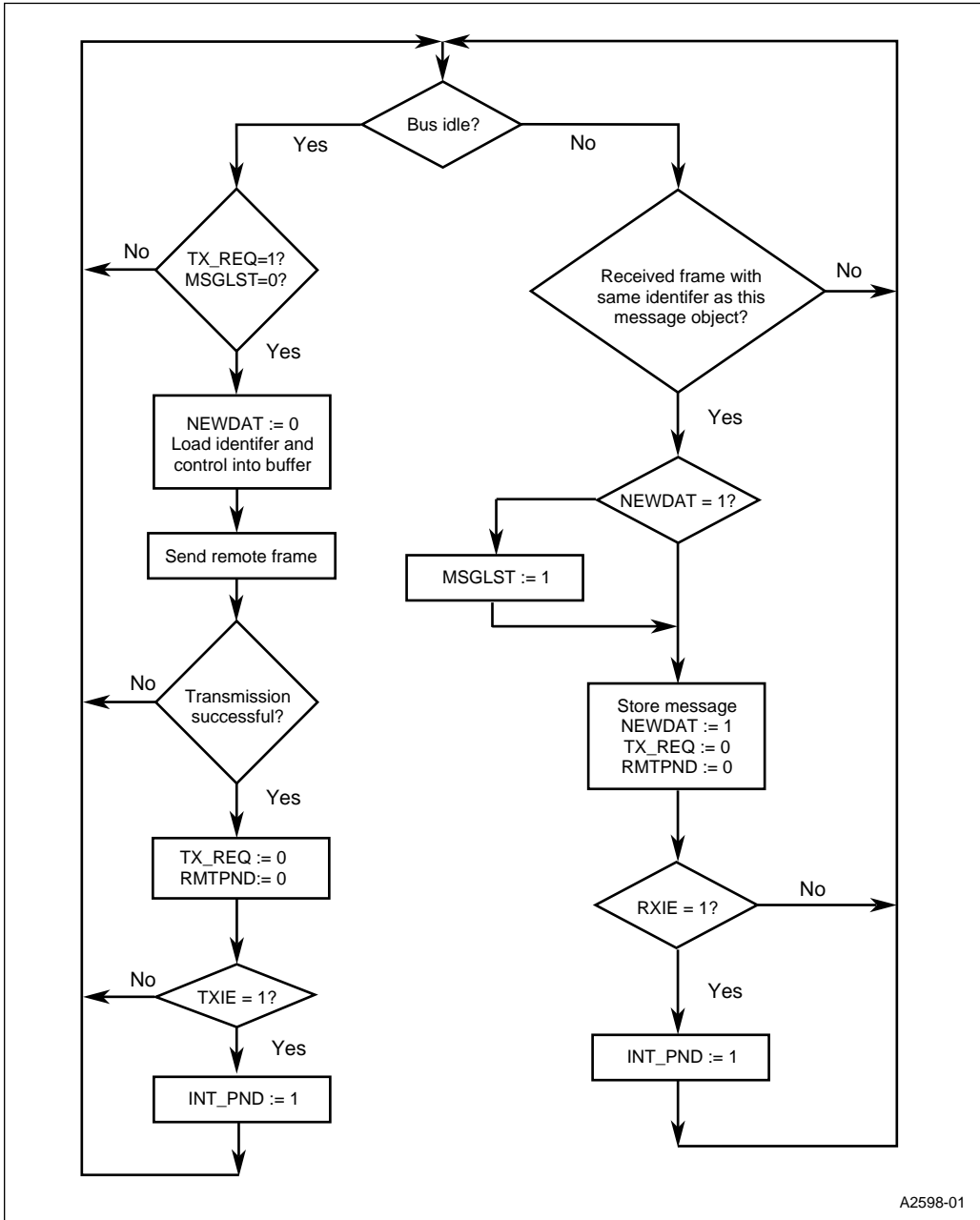


Figure 7-23. Receiving a Message for Message Object 15 — CPU Flow



A2598-01

Figure 7-24. Receiving a Message — CAN Controller Flow

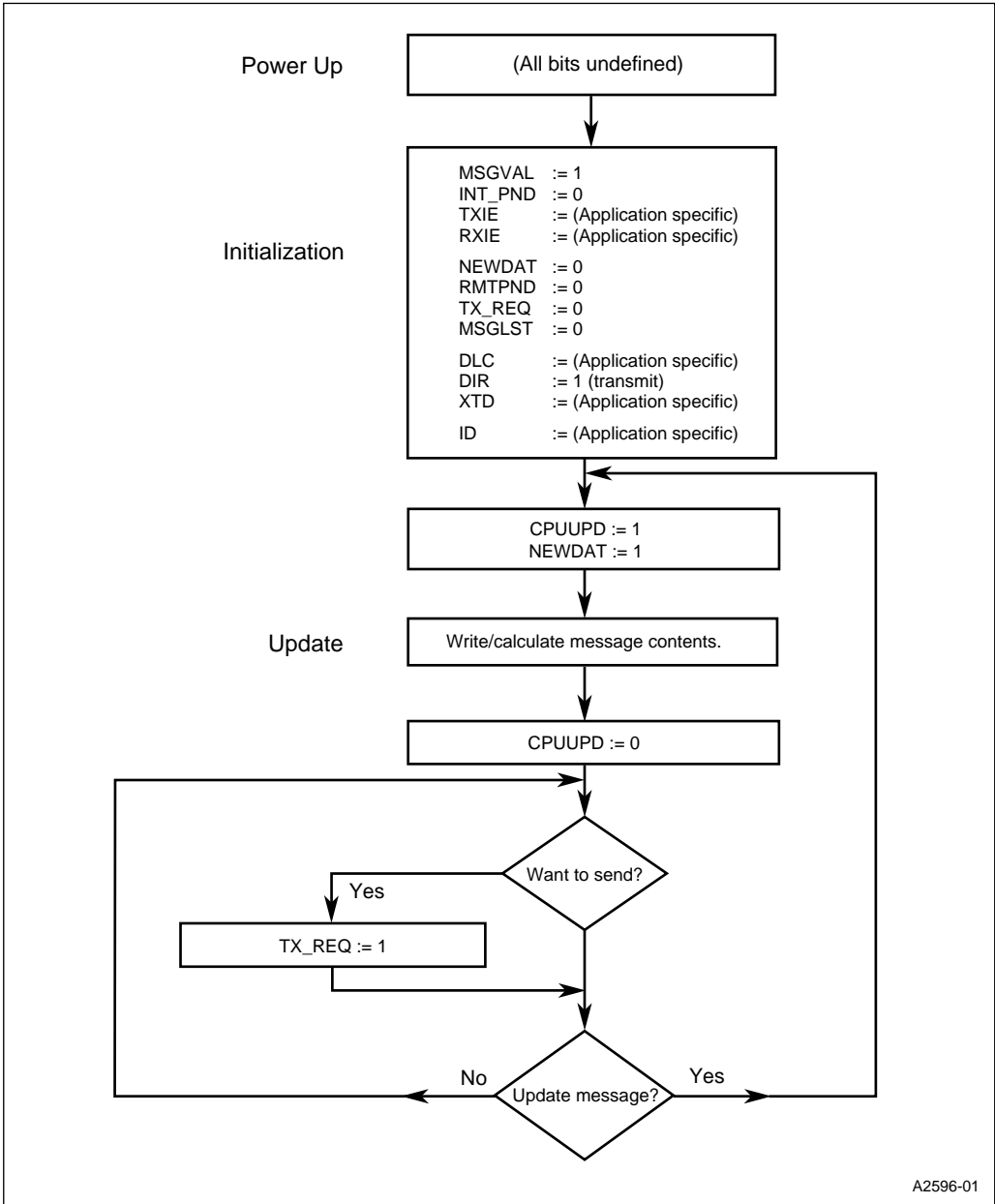
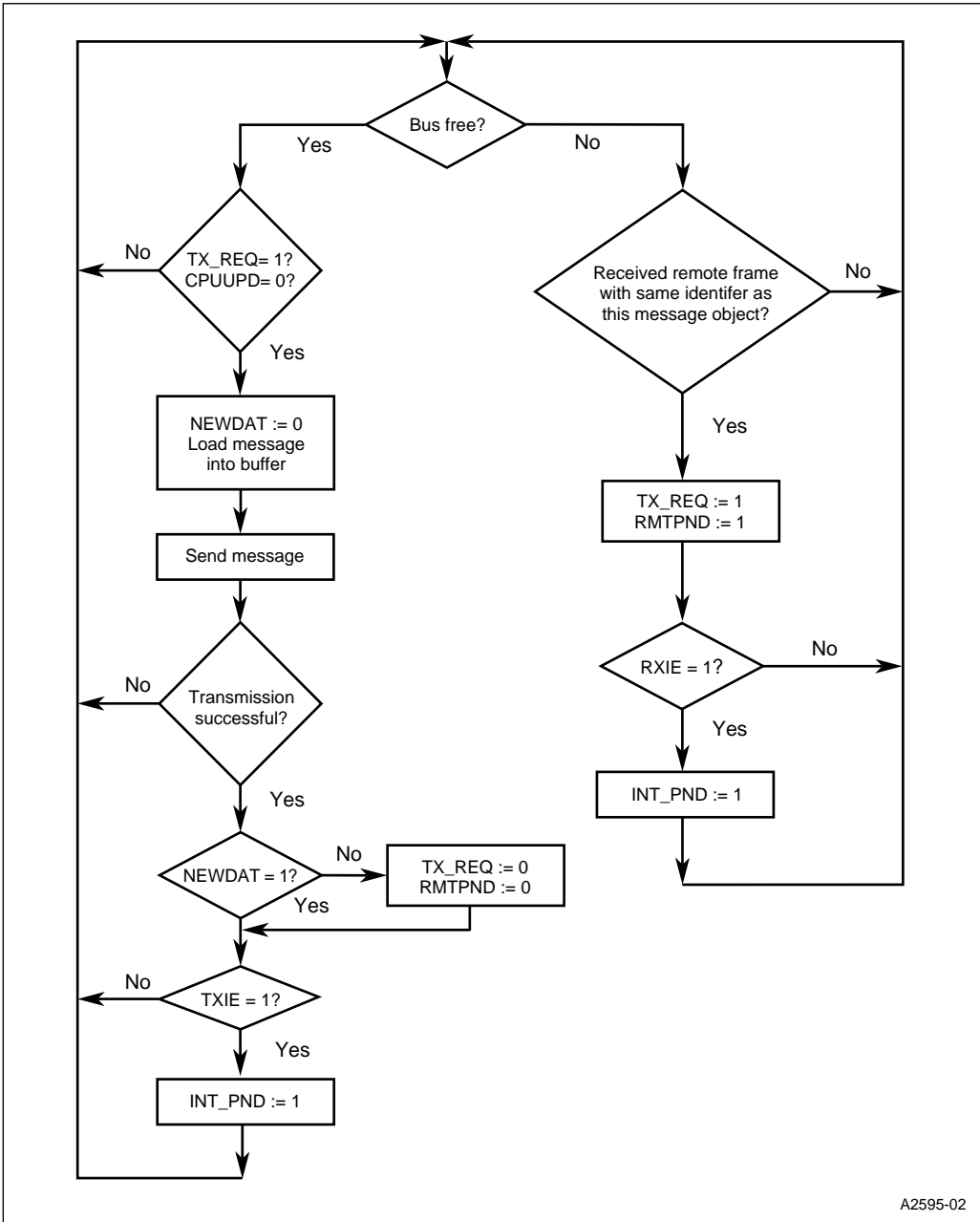


Figure 7-25. Transmitting a Message — CPU Flow



A2595-02

Figure 7-26. Transmitting a Message — CAN Controller Flow

7.9 DESIGN CONSIDERATIONS

This section outlines design considerations for the CAN controller.

7.9.1 Hardware Reset

A hardware reset clears the error management counters and the bus-off state and leaves the registers with the values listed in Table 7-14.

Table 7-14. Register Values Following Reset

Register	Hex Address	Reset Value
Control	1E00	01H
Status	1E01	undefined
Standard Global Mask	1E06–1E07	unchanged (undefined at power-up)
Extended Global Mask	1E08–1E0B	unchanged (undefined at power-up)
Message 15 Mask	1E0C–1E0F	unchanged (undefined at power-up)
Bit Timing 0	1E3F	unchanged (undefined at power-up)
Bit Timing 1	1E4F	unchanged (undefined at power-up)
Interrupt	1E5F	00H
Message Object x	1Ex0–1ExE	unchanged (undefined at power-up)

7.9.2 Software Initialization

The software initialization state allows software to configure the CAN controller’s RAM without risk of messages being received or transmitted during this time. Setting the INIT bit in the control register causes the CAN controller to enter the software initialization state. Either a hardware reset or a software write can set the INIT bit. While INIT is set, all message transfers to and from the CAN controller are stopped and the error counters and bit timing registers are unchanged. Your software should clear the INIT bit to cause the CAN controller to exit the software initialization state. At this time, the CAN controller synchronizes itself to the CAN bus by waiting for a bus idle state (11 consecutive recessive bits) before participating in bus activities.

7.9.3 Bus-off State

If an error counter reaches 256, the CAN controller isolates itself from the CAN bus, sets the BUSOFF bit in the status register, and sets the INIT bit in the control register. While INIT is set, all message transfers to and from the CAN controller are stopped; the error counters and bit timing registers are unchanged. Software must clear the INIT bit to initiate the bus-off recovery sequence.

The CAN controller synchronizes itself to the CAN bus by waiting for 128 bus idle states (128 occurrences of 11 consecutive recessive bits) before participating in bus activities. During this sequence, the CAN controller writes a bit 0 error code to the LEC2:0 bits of the status register each time it receives a recessive bit. Software can check the status register to determine whether the CAN bus is stuck in a dominant state. Once the CAN controller is resynchronized with the CAN bus, it clears the BUSOFF bit and starts transferring messages again.



8

Special Operating Modes

CHAPTER 8 SPECIAL OPERATING MODES

8.1 CLOCK CIRCUITRY

The 87C196CB's idle, powerdown, and ONCE modes are the same as those of the 8XC196NT. The only difference is in the way that the power saving modes disable the clock circuitry (Figure 8-1).

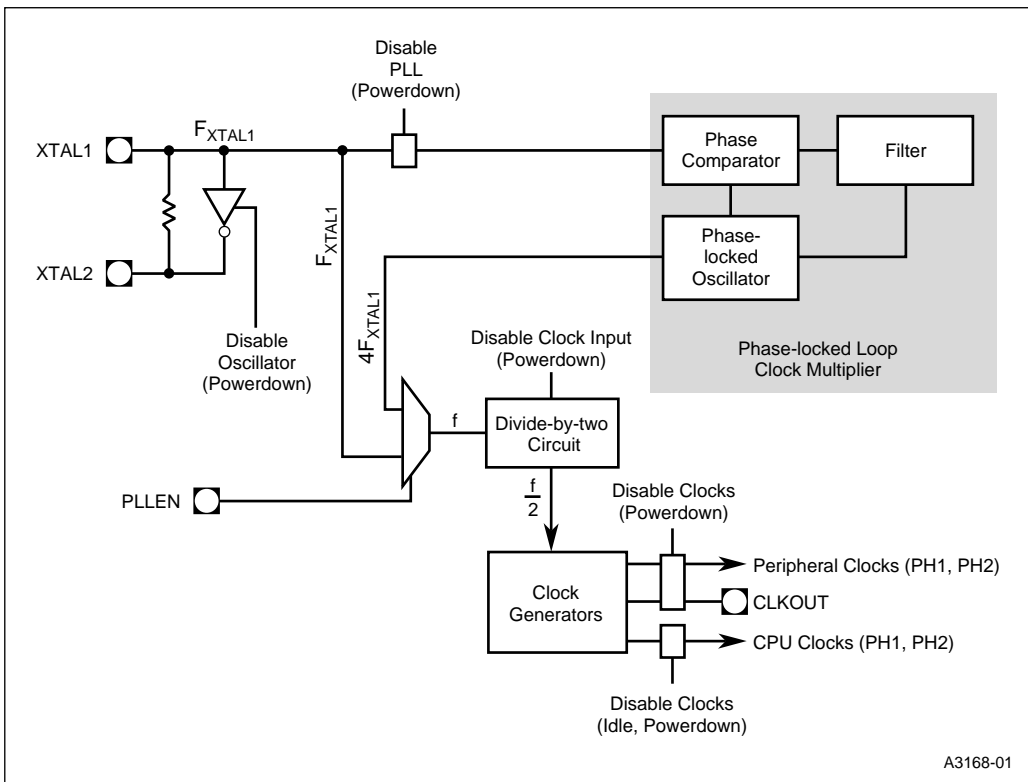


Figure 8-1. Clock Circuitry



9

Interfacing with External Memory

CHAPTER 9

INTERFACING WITH EXTERNAL MEMORY

The 87C196CB's external memory interface is similar to that of the 8XC196NT. However, the 87C196CB supports only two of the bus timing modes, modes 3 and 0. In addition, the 100-pin 87C196CB has four additional address pins (A23:20).

9.1 ADDRESS PINS

The 100-pin 87C196CB has 24 available address pins, A23:16 and AD15:0. The A23:20 timings are identical to those of A19:16. During the CCB fetch, the 100-pin 87C196CB strongly drives 0FFH on A23:16. The 84-pin 87C196CB strongly drives 0FH on A19:16, as does the 8XC196NT.

9.2 BUS TIMING MODES

The 87C196CB implements only modes 3 and 0. Table 9-1 and Figure 9-1 compare the timings of these two modes. Figure 9-2 illustrates the CCB1 register, which selects the mode.

Table 9-1. Modes 0 and 3 Timing Comparisons

Mode	Timing Specifications †					
	T_{CLLH}	T_{AVLL}	T_{AVDV}	T_{RLRH}	T_{RHDZ}	T_{RLDV}
Mode 3	0	1t	3t	1t	1t	1t
Mode 0	0	1t	5t	3t	1t	3t

† These are ideal timing values for purposes of comparison only. They do not include internal device delays. Consult the datasheet for current device specifications.

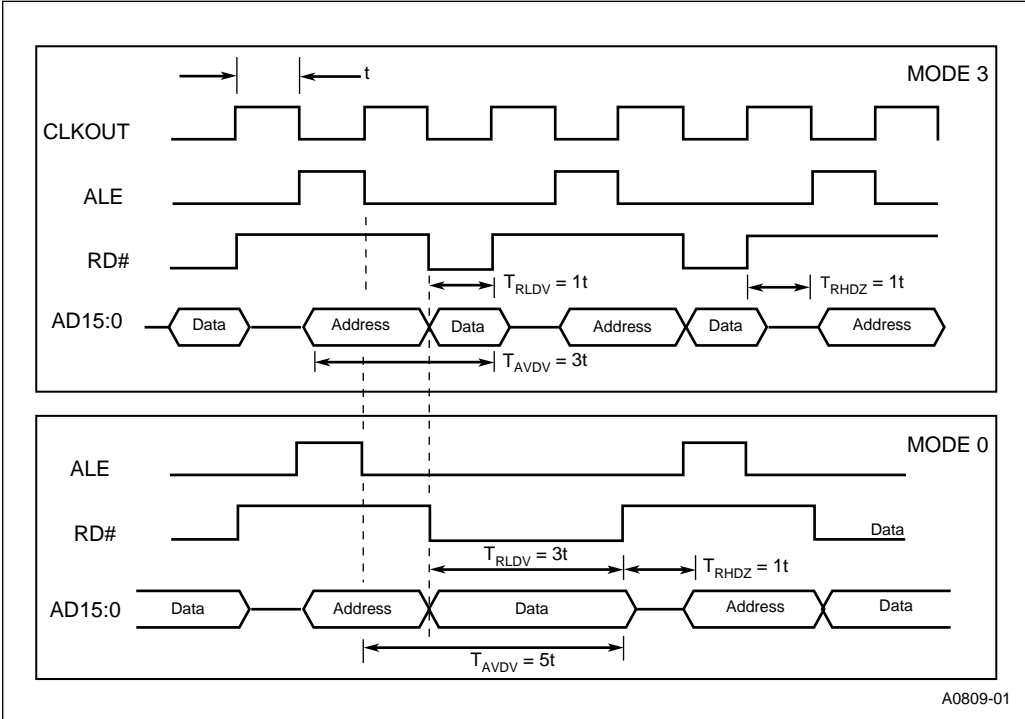


Figure 9-1. Modes 0 and 3 Timings

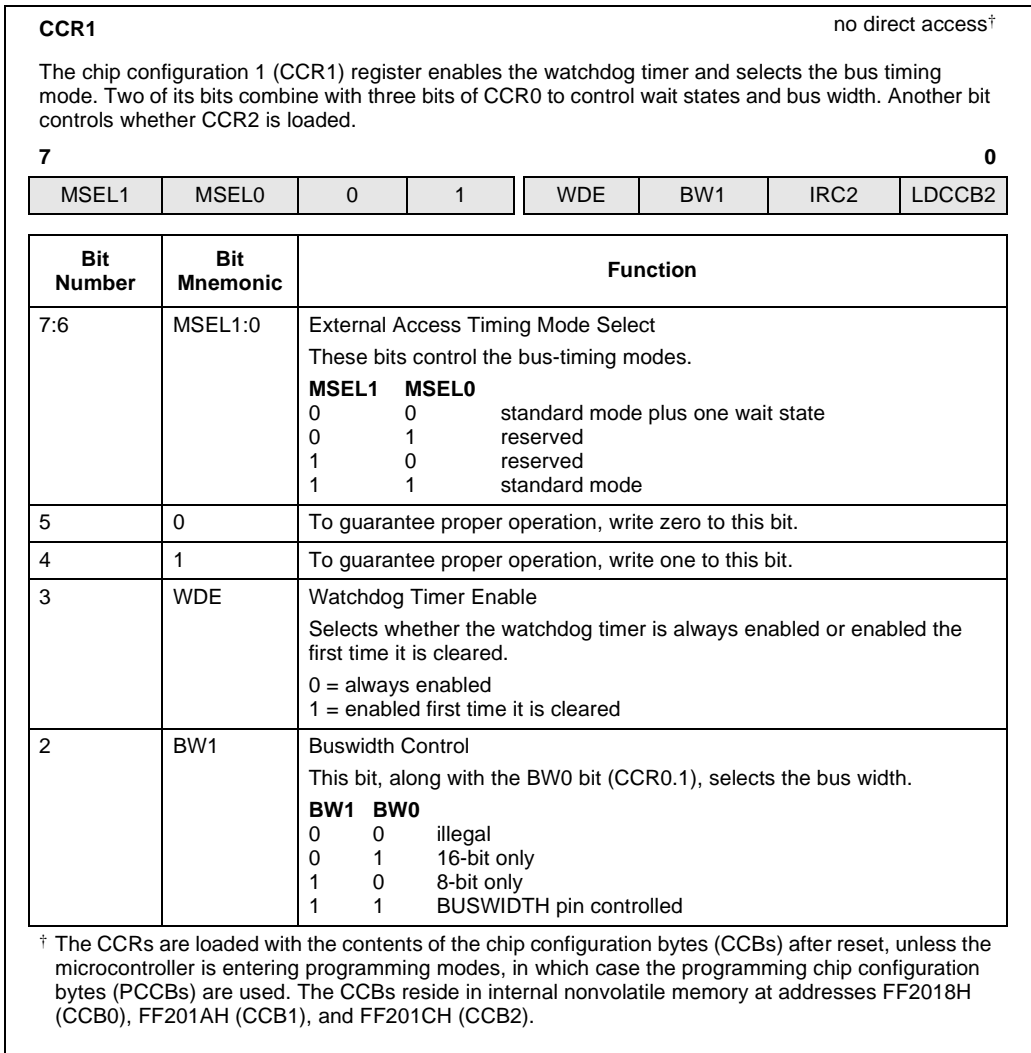


Figure 9-2. Chip Configuration 1 (CCR1) Register

CCR1 (Continued)

no direct access[†]

The chip configuration 1 (CCR1) register enables the watchdog timer and selects the bus timing mode. Two of its bits combine with three bits of CCR0 to control wait states and bus width. Another bit controls whether CCR2 is loaded.

7

0

MSEL1	MSEL0	0	1	WDE	BW1	IRC2	LDCCB2
-------	-------	---	---	-----	-----	------	--------

Bit Number	Bit Mnemonic	Function																																
1	IRC2	<p>Ready Control</p> <p>This bit, along with IRC0 (CCR0.4) and IRC1 (CCR0.5), limits the number of wait states that can be inserted while the READY pin is held low. Wait states are inserted into the bus cycle either until the READY pin is pulled high or until this internal number is reached.</p> <table border="1"> <thead> <tr> <th>IRC2</th> <th>IRC1</th> <th>IRC0</th> <th></th> </tr> </thead> <tbody> <tr> <td>0</td> <td>0</td> <td>0</td> <td>zero wait states</td> </tr> <tr> <td>0</td> <td>X</td> <td>1</td> <td>illegal</td> </tr> <tr> <td>1</td> <td>1</td> <td>X</td> <td>illegal</td> </tr> <tr> <td>1</td> <td>0</td> <td>0</td> <td>one wait state</td> </tr> <tr> <td>1</td> <td>0</td> <td>1</td> <td>two wait states</td> </tr> <tr> <td>1</td> <td>1</td> <td>0</td> <td>three wait states</td> </tr> <tr> <td>1</td> <td>1</td> <td>1</td> <td>READY pin controlled</td> </tr> </tbody> </table> <p>If you choose the READY pin controlled option, you must keep P5.6 configured as a special-function input, and add external hardware to count wait states and release READY within a specified time.</p>	IRC2	IRC1	IRC0		0	0	0	zero wait states	0	X	1	illegal	1	1	X	illegal	1	0	0	one wait state	1	0	1	two wait states	1	1	0	three wait states	1	1	1	READY pin controlled
IRC2	IRC1	IRC0																																
0	0	0	zero wait states																															
0	X	1	illegal																															
1	1	X	illegal																															
1	0	0	one wait state																															
1	0	1	two wait states																															
1	1	0	three wait states																															
1	1	1	READY pin controlled																															
0	LDCCB2	<p>Load CCB2</p> <p>Setting this bit causes CCB2 to be read.</p>																																

[†] The CCRs are loaded with the contents of the chip configuration bytes (CCBs) after reset, unless the microcontroller is entering programming modes, in which case the programming chip configuration bytes (PCCBs) are used. The CCBs reside in internal nonvolatile memory at addresses FF2018H (CCB0), FF201AH (CCB1), and FF201CH (CCB2).

Figure 9-2. Chip Configuration 1 (CCR1) Register (Continued)



10

Programming the Nonvolatile Memory

CHAPTER 10

PROGRAMMING THE NONVOLATILE MEMORY

The 87C196CB has 56 Kbytes of OTPROM (FF2000–FFFFFFH), while the 8XC196NT has only 32 Kbytes (FF2000–FF9FFFH). The 87C196CB’s programming signals, registers, and procedures are the same as those of the 8XC196NT. This chapter describes the differences in memory mapping and programming circuits for the 87C196CB.

10.1 SIGNATURE WORD AND PROGRAMMING VOLTAGES

The 87C196CB’s programming voltages are the same of those of the 8XC196NT; however, the signature word differs. Table 10-1 lists the signature word and programming voltages.

Table 10-1. Signature Word and Programming Voltages

Device	Signature Word		Programming V _{CC}		Programming V _{PP}	
	Location	Value	Location	Value	Location	Value
87C196CB	0070H	87CBH	0072H	40H	0073H	0A0H

10.2 MEMORY MAP FOR SLAVE PROGRAMMING MODE

Because the 87C196CB has an additional 24 Kbytes of OTPROM, its memory map (Table 10-2) differs from that of the 8XC196NT. The remaining information on slave programming is correct for the 87C196CB.

Table 10-2. Slave Programming Mode Memory Map

Description	Address	Comments
OTPROM	FF2000–FFFFFFFH	OTPROM Cells
OFD	0778H	OTPROM Cell
DED†	0758H	UPROM Cell
DEI†	0718H	UPROM Cell
PCCB	0218H	Test EPROM
Programming V_{CC}	0072H	Read Only
Programming V_{PP}	0073H	Read Only
Signature word	0070H	Read Only

†These bits program the UPROM cells. Once these bits are programmed, they cannot be erased, and dynamic failure analysis of the device is impossible.

10.3 MEMORY MAP AND CIRCUIT FOR AUTO PROGRAMMING

Because the 87C196CB has an additional 24 Kbytes of OTPROM, its auto programming memory map (Table 10-3) and circuit (Figure 10-1) differ from those of the 8XC196NT.

Table 10-3. Auto Programming Memory Map

Address Output from 87C196CB (A15:0)	Internal OTPROM Address	Address Using Circuit in Figure 10-1 (P1.3:1, A13:0)	Description
4014H	N/A	00014H	Programming pulse width (PPW) LSB.
4015H	N/A	00015H	Programming pulse width (PPW) MSB.
4020–402FH	FF2020–FF202FH	00020–0002FH	Security key for verification.
4000–7FFFH	FF2000–FF5FFFFH	04000–07FFFH	First 16 Kbytes of code and data.
4000–7FFFH	FF6000–FF9FFFFH	08000–0BFFFH	Second 16 Kbytes of code and data.
4000–7FFFH	FFA000–FFDFFFFH	0C000–0FFFFH	Third 16 Kbytes of code and data.
4000–5FFFFH	FFE000–FFFFFFFH	10000–11FFFH	Last 8 Kbytes of code and data.

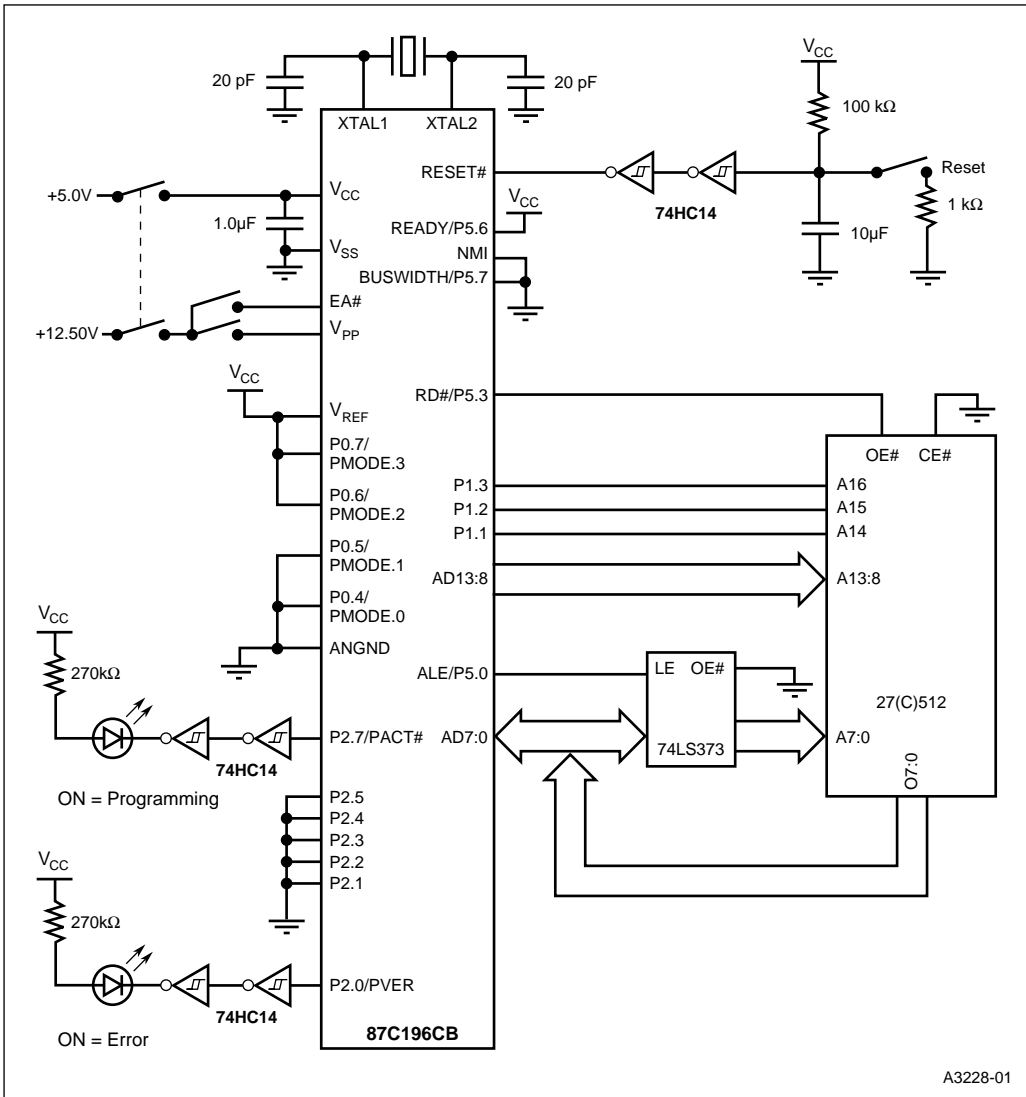


Figure 10-1. Auto Programming Circuit

10.4 MEMORY MAP FOR SERIAL PORT PROGRAMMING

The 87C196CB's memory map (Table 10-4) for serial port programming differs from that of the 8XC196NT. The remaining information on serial port programming is correct for the 87C196CB.

Table 10-4. Serial Port Programming Mode Memory Map

Description	Address Range	
	Normal Operation	Serial Port Programming Mode
Internal OTPROM	FF2000–FF7FFFH FF8000–FFFFFFFH	A000–FFFFH (bank 0; 1FF9H = 00H) 8000–FFFFH (bank 1; 1FF9H = 80H)
External memory	—	4000–7FFFH
Do not address	—	2400–3FFFH
Test ROM and RISM	—	2000–23FFFH

The lower 24 Kbytes of OTPROM (FF2000–FF7FFFH) are remapped to A000–FFFFH, and the upper 32 Kbytes (FF8000–FFFFFFFH) are mapped to 8000–FFFFH. A bank switching mechanism differentiates between the two address ranges. The most-significant bit of an otherwise reserved byte register (location 1FF9H) selects the bank. Bank 0 is the lower 24 Kbytes, and bank 1 is the upper 32 Kbytes. To program the lower 24 Kbytes, you must write 00H to location 1FF9H. To program the upper 32 Kbytes, you must write 80H to location 1FF9H. (See page 10-4 for the required command sequences.)

WARNING

Writing any value other than 00H or 80H to location 1FF9H will cause the microcontroller to enter an unsupported test mode.

10.4.1 Selecting Bank 0 (FF2000–FF7FFFH)

Send the following RISM command sequence to select bank 0.

Code Description

1F DATA. High byte of address to DATA register.
 F9 DATA. Low byte of address to DATA register.
 0A DATA_TO_ADDR. Move address from DATA register to ADDR register.
 00 SET_DLE_FLAG. The next data byte is <1FH.
 00 DATA. Data to clear the most-significant bit.
 07 WRITE_BYTE. Move data from the DATA register to memory location 1FF9H.

10.4.2 Selecting Bank 1 (FF8000–FFFFFFFH)

Send the following RISM command sequence to select bank 1.

Code Description

1F DATA. High byte of address to DATA register.
 F9 DATA. Low byte of address to DATA register.
 0A DATA_TO_ADDR. Move address from DATA register to ADDR register.
 80 DATA. Data to set the most-significant bit.
 07 WRITE_BYTE. Move data from the DATA register to memory location 1FF9H.



A

Signal Descriptions

APPENDIX A SIGNAL DESCRIPTIONS

A.1 FUNCTIONAL GROUPINGS OF SIGNALS

Table A-1 lists the signals for the 87C196CB, grouped by function. A diagram of each package that is currently available shows the pin location of each signal.

NOTE

As new packages are supported, they will be added to the datasheets first. If your package type is not shown in this appendix, refer to the latest datasheet to find the pin locations.

Table A-1. 87C196CB Signals Arranged by Functional Categories

Input/Output	Processor Control	Bus Control & Status
EP0RT.7:0 (100-pin CB)	EA#	ALE/ADV#
EP0RT.3:0 (84-pin CB)	EXTINT	BHE#/WRH#
P0.7:0/ACH7:0	NMI	BREQ#
P1.0/EPA0/T2CLK	ONCE#	BUSWIDTH
P1.1/EPA1	RESET#	CLKOUT
P1.2/EPA2/T2DIR	SLPINT [†]	HOLD#
P1.7:3/EPA7:3	XTAL1	HLDA#
P2.0/TXD	XTAL2	INST
P2.1/RXD	PLEN	INTOUT#
P2.7:2	Address & Data	READY
P3.7:0	A23:16 (100-pin CB)	RD#
P4.7:0	A19:16 (84-pin CB)	SLPALE [†]
P5.7:0	AD15:0	SLPCS# [†]
P6.0/EPA8/COMP0	SLP7:0 [†]	SLPWR# [†]
P6.1/EPA9/COMP1	Programming Control	SLPRD# [†]
P6.2/T1CLK	AINC#	Power & Ground
P6.3/T1DIR	CPVER	ANGND
P6.4/SC0	PACT#	V _{CC}
P6.5/SD0	PALE#	V _{PP}
P6.6/SC1	PBUS15:0	V _{REF}
P6.7/SD1	PMODE.3:0	V _{SS} , V _{SS1}
RXCAN	PROG#	
TXCAN	PVER	

[†] Slave port signal

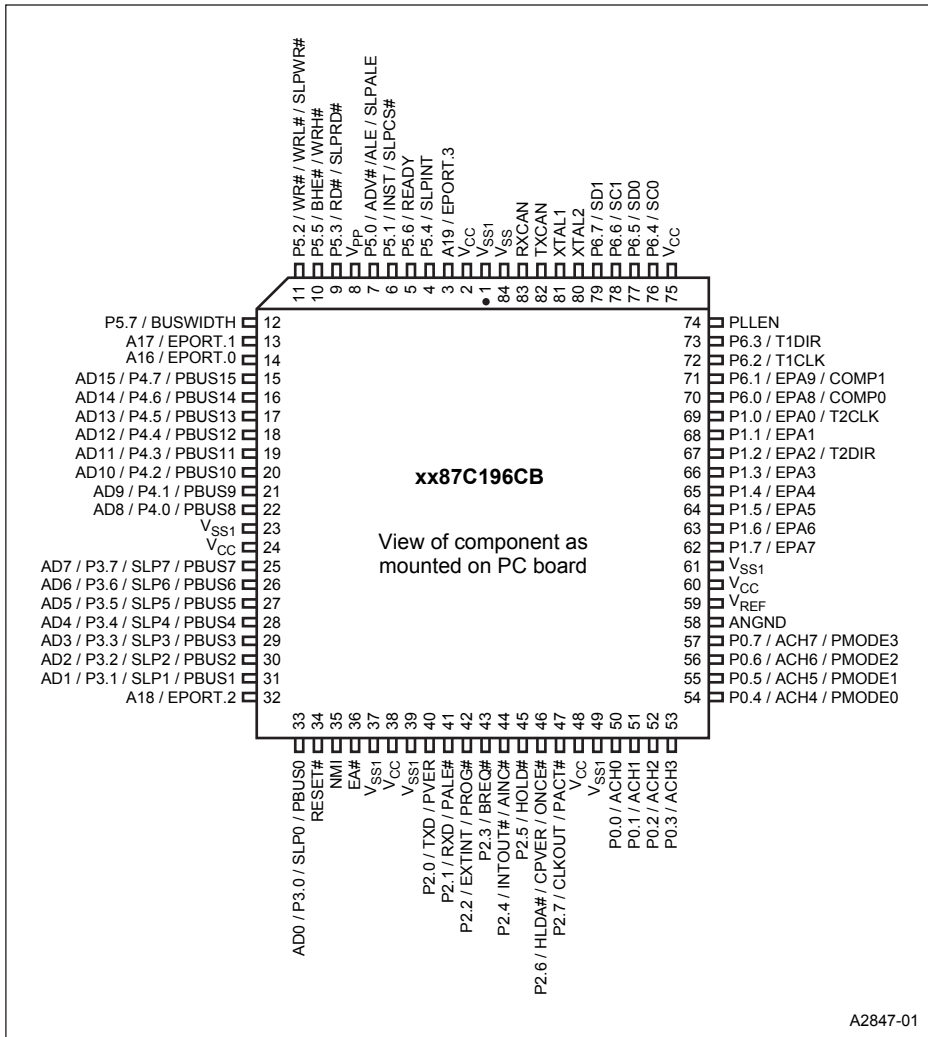


Figure A-1. 87C196CB 84-pin PLCC Package

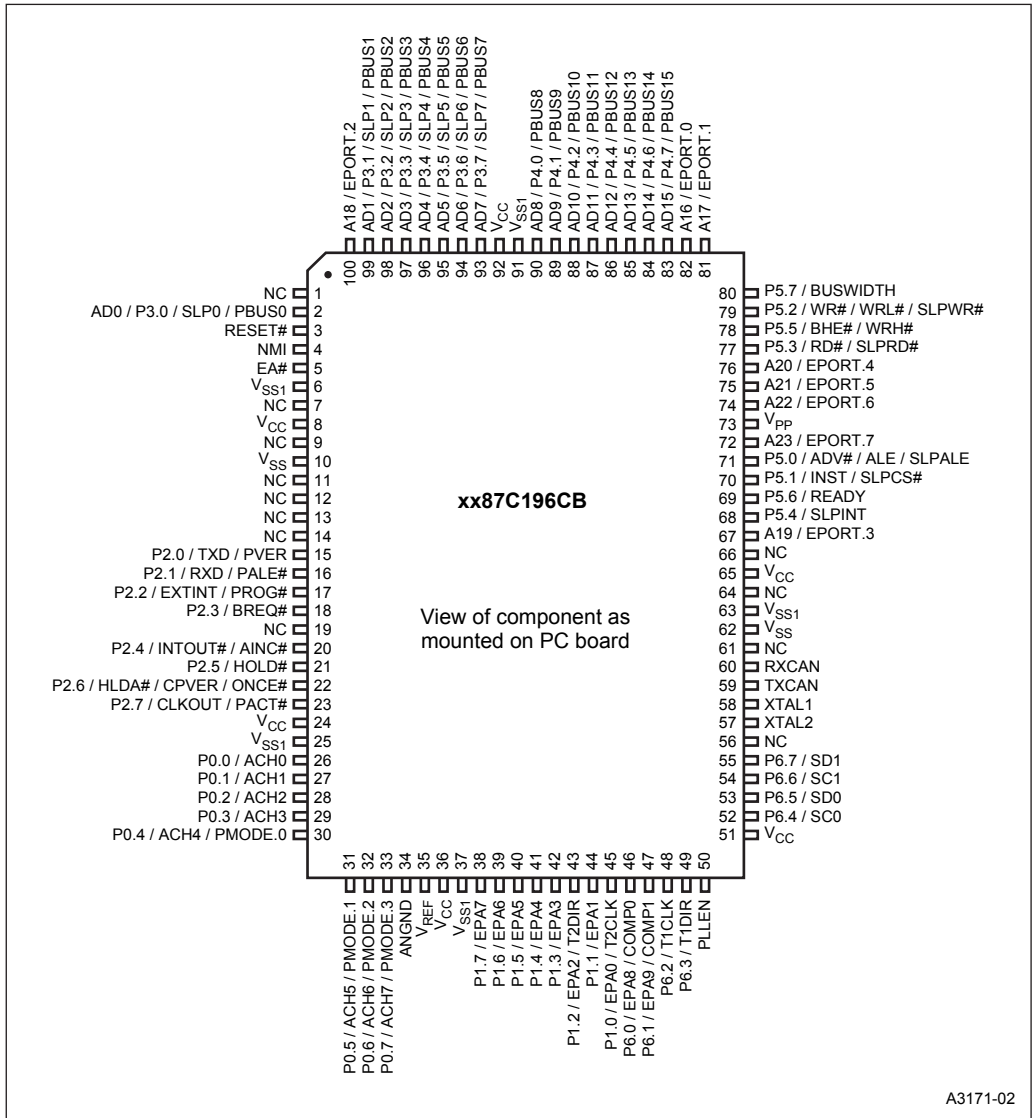


Figure A-2. 87C196CB 100-pin QFP Package

A.2 SIGNAL DESCRIPTIONS

Table A-2 defines the columns used in Table A-3, which describes the signals.

Table A-2. Description of Columns of Table A-3

Column Heading	Description
Name	Lists the signals, arranged alphabetically. Many pins have two functions, so there are more entries in this column than there are pins. Every signal is listed in this column.
Type	Identifies the pin function listed in the <i>Name</i> column as an input (I), output (O), bidirectional (I/O), power (PWR), or ground (GND). Note that all inputs except RESET# are <i>sampled inputs</i> . RESET# is a level-sensitive input. During powerdown mode, the powerdown circuitry uses EXTINT as a level-sensitive input.
Description	Briefly describes the function of the pin for the specific signal listed in the <i>Name</i> column. Also lists the alternate function that are multiplexed with the signal (if applicable).

Table A-3. Signal Descriptions

Name	Type	Description
A23:16 (100-pin CB)	I/O	Address Lines 16–23 These address lines provide address bits 20–23 during the entire external memory cycle, supporting extended addressing of the 16-Mbyte address space. A23:20 are multiplexed with EPORT.7:0.
A19:16 (84-pin CB)	I/O	Address Lines 16–19 These address lines provide address bits 16–19 during the entire external memory cycle, supporting extended addressing of the 1 Mbyte address space. NOTE: Internally, there are 24 address bits; however, only 20 address lines (A19:16 and AD15:0) are implemented as external pins on the 84-pin 87C196CB. The internal address space is 16 Mbytes (000000–FFFFFFH) and the external address space is 1 Mbyte (00000–FFFFFH). The device resets to FF2080H in internal OTPROM or F2080H in external memory. A19:16 are multiplexed with EPORT.3:0.
ACH7:0	I	Analog Channels 0–7 These pins are analog inputs to the A/D converter. These pins may individually be used as analog inputs (ACHx) or digital inputs (P0.x). While it is possible for the pins to function simultaneously as analog and digital inputs, this is not recommended because reading port 0 while a conversion is in process can produce unreliable conversion results. The ANGND and V _{REF} pins must be connected for the A/D converter and port 0 to function. ACH7:4 are multiplexed with P0.7:4 and PMODE.3:0. ACH3:0 are multiplexed with P0.3:0.
AD15:0	I/O	Address/Data Lines These pins provide a multiplexed address and data bus. During the address phase of the bus cycle, address bits 0–15 are presented on the bus and can be latched using ALE or ADV#. During the data phase, 8- or 16-bit data is transferred. AD7:0 are multiplexed with SLP7:0, P3.7:0, and PBUS.7:0. AD15:8 are multiplexed with P4.7:0 and PBUS.15:8.

Table A-3. Signal Descriptions (Continued)

Name	Type	Description												
ADV#	O	<p>Address Valid</p> <p>This active-low output signal is asserted only during external memory accesses. ADV# indicates that valid address information is available on the system address/data bus. The signal remains low while a valid bus cycle is in progress and is returned high as soon as the bus cycle completes.</p> <p>An external latch can use this signal to demultiplex the address from the address/data bus. A decoder can also use this signal to generate chip selects for external memory.</p> <p>ADV# is multiplexed with P5.0, SLPALe, and ALE.</p>												
AINC#	I	<p>Auto Increment</p> <p>During slave programming, this active-low input enables the auto-increment feature. (Auto increment allows reading or writing of sequential OTPROM locations, without requiring address transactions across the PBUS for each read or write.) AINC# is sampled after each location is programmed or dumped. If AINC# is asserted, the address is incremented and the next data word is programmed or dumped.</p> <p>AINC# is multiplexed with P2.4 and INTOUT#.</p>												
ALE	O	<p>Address Latch Enable</p> <p>This active-high output signal is asserted only during external memory cycles. ALE signals the start of an external bus cycle and indicates that valid address information is available on the system address/data bus. ALE differs from ADV# in that it does not remain active during the entire bus cycle.</p> <p>An external latch can use this signal to demultiplex address from the address/data bus.</p> <p>ALE is multiplexed with P5.0, SLPALe, and ADV#.</p>												
ANGND	GND	<p>Analog Ground</p> <p>ANGND must be connected for A/D converter and port 0 operation. ANGND and V_{SS} should be nominally at the same potential.</p>												
BHE#	O	<p>Byte High Enable[†]</p> <p>During 16-bit bus cycles, this active-low output signal is asserted for word reads and writes and high-byte reads and writes to external memory. BHE# indicates that valid data is being transferred over the upper half of the system data bus. Use BHE#, in conjunction with AD0, to determine which memory byte is being transferred over the system bus:</p> <table border="1" data-bbox="388 1204 723 1308"> <thead> <tr> <th>BHE#</th> <th>AD0</th> <th>Byte(s) Accessed</th> </tr> </thead> <tbody> <tr> <td>0</td> <td>0</td> <td>both bytes</td> </tr> <tr> <td>0</td> <td>1</td> <td>high byte only</td> </tr> <tr> <td>1</td> <td>0</td> <td>low byte only</td> </tr> </tbody> </table> <p>BHE# is multiplexed with P5.5 and WRH#.</p> <p>[†] The chip configuration register 0 (CCR0) determines whether this pin functions as BHE# or WRH#. CCR0.2 = 1 selects BHE#; CCR0.2 = 0 selects WRH#.</p>	BHE#	AD0	Byte(s) Accessed	0	0	both bytes	0	1	high byte only	1	0	low byte only
BHE#	AD0	Byte(s) Accessed												
0	0	both bytes												
0	1	high byte only												
1	0	low byte only												

Table A-3. Signal Descriptions (Continued)

Name	Type	Description																				
BREQ#	O	<p>Bus Request</p> <p>This active-low output signal is asserted during a hold cycle when the bus controller has a pending external memory cycle.</p> <p>The device can assert BREQ# at the same time as or after it asserts HLDA#. Once it is asserted, BREQ# remains asserted until HOLD# is removed.</p> <p>You must enable the bus-hold protocol before using this signal.</p> <p>BREQ# is multiplexed with P2.3.</p>																				
BUSWIDTH	I	<p>Bus Width</p> <p>The chip configuration register bits, CCR0.1 and CCR1.2, along with the BUSWIDTH pin, control the data bus width. When both CCR bits are set, the BUSWIDTH signal selects the external data bus width. When only one CCR bit is set, the bus width is fixed at either 16 or 8 bits, and the BUSWIDTH signal has no effect.</p> <table border="1"> <thead> <tr> <th>CCR0.1</th> <th>CCR1.2</th> <th>BUSWIDTH</th> <th></th> </tr> </thead> <tbody> <tr> <td>0</td> <td>1</td> <td>N/A</td> <td>fixed 8-bit data bus</td> </tr> <tr> <td>1</td> <td>0</td> <td>N/A</td> <td>fixed 16-bit data bus</td> </tr> <tr> <td>1</td> <td>1</td> <td>high</td> <td>16-bit data bus</td> </tr> <tr> <td>1</td> <td>1</td> <td>low</td> <td>8-bit data bus</td> </tr> </tbody> </table> <p>BUSWIDTH is multiplexed with P5.7.</p>	CCR0.1	CCR1.2	BUSWIDTH		0	1	N/A	fixed 8-bit data bus	1	0	N/A	fixed 16-bit data bus	1	1	high	16-bit data bus	1	1	low	8-bit data bus
CCR0.1	CCR1.2	BUSWIDTH																				
0	1	N/A	fixed 8-bit data bus																			
1	0	N/A	fixed 16-bit data bus																			
1	1	high	16-bit data bus																			
1	1	low	8-bit data bus																			
CLKOUT	O	<p>Clock Output</p> <p>Output of the internal clock generator. The CLKOUT frequency is $\frac{1}{2}$ the operating frequency (f). CLKOUT has a 50% duty cycle.</p> <p>CLKOUT is multiplexed with P2.7 and PACT#.</p>																				
COMP1:0	O	<p>Event Processor Array (EPA) Compare Pins</p> <p>These signals are the output of the EPA compare-only channels. These pins are multiplexed with other signals and may be configured as standard I/O.</p> <p>COMP1:0 are multiplexed as follows: COMP0/P6.0/EPA8 and COMP1/P6.1/EPA9.</p>																				
CPVER	O	<p>Cumulative Program Verification</p> <p>During slave programming, a high signal indicates that all locations programmed correctly, while a low signal indicates that an error occurred during one of the programming operations.</p> <p>CPVER is multiplexed with P2.6 and HLDA#.</p>																				

Table A-3. Signal Descriptions (Continued)

Name	Type	Description
EA#	I	<p>External Access</p> <p>This input determines whether memory accesses to special-purpose and program memory partitions (FF2000–FF9FFFH) are directed to internal or external memory. These accesses are directed to internal memory if EA# is held high and to external memory if EA# is held low. For an access to any other memory location, the value of EA# is irrelevant.</p> <p>EA# also controls entry into programming mode. If EA# is at V_{PP} voltage (typically +12.5 V) on the rising edge of RESET#, the device enters programming mode.</p> <p>NOTE: Systems with EA# tied inactive have idle time between external bus cycles. When the address/data bus is idle, you can use ports 3 and 4 for I/O. Systems with EA# tied active cannot use ports 3 and 4 as standard I/O; when EA# is active, these ports will function only as the address/data bus.</p> <p>EA# is sampled and latched only on the rising edge of RESET#. Changing the level of EA# after reset has no effect.</p> <p>On devices with no internal nonvolatile memory, always connect EA# to V_{SS}.</p>
EPA9:0	I/O	<p>Event Processor Array (EPA) Input/Output pins</p> <p>These are the high-speed input/output pins for the EPA capture/compare channels. For high-speed PWM applications, the outputs of two EPA channels (either EPA0 and EPA1 or EPA2 and EPA3) can be remapped to produce a PWM waveform on a shared output pin.</p> <p>EPA9:0 are multiplexed as follows: EPA0/P1.0/T2CLK, EPA1/P1.1, EPA2/P1.2/T2DIR, EPA3/P1.3, EPA4/P1.4, EPA5/P1.5, EPA6/P1.6, EPA7/P1.7, EPA8/P6.0/COMP0, and EPA9/P6.1/COMP1.</p>
EPORT.7:0 (100-pin CB)	I/O	<p>Extended Addressing Port</p> <p>This is a 4-bit, bidirectional, memory-mapped I/O port.</p> <p>EPORT.7:0 are multiplexed with A23:16.</p>
EPORT.3:0 (84-pin CB)	I/O	<p>Extended Addressing Port</p> <p>This is a 4-bit, bidirectional, memory-mapped I/O port.</p> <p>EPORT.3:0 are multiplexed with A19:16.</p>
EXTINT	I	<p>External Interrupt</p> <p>In normal operating mode, a rising edge on EXTINT sets the EXTINT interrupt pending bit. EXTINT is sampled during phase 2 (CLKOUT high). The minimum high time is one state time.</p> <p>In powerdown mode, asserting the EXTINT signal for at least 50 ns causes the device to resume normal operation. The interrupt need not be enabled, but the pin must be configured as a special-function input. If the EXTINT interrupt is enabled, the CPU executes the interrupt service routine. Otherwise, the CPU executes the instruction that immediately follows the command that invoked the power-saving mode.</p> <p>In idle mode, asserting any enabled interrupt causes the device to resume normal operation.</p> <p>EXTINT is multiplexed with P2.2 and PROG#.</p>

Table A-3. Signal Descriptions (Continued)

Name	Type	Description
HLDA#	O	<p>Bus Hold Acknowledge</p> <p>This active-low output indicates that the CPU has released the bus as the result of an external device asserting HOLD#.</p> <p>HLDA# is multiplexed with P2.6 and CPVER.</p>
HOLD#	I	<p>Bus Hold Request</p> <p>An external device uses this active-low input signal to request control of the bus. This pin functions as HOLD# only if the pin is configured for its special function and the bus-hold protocol is enabled. Setting bit 7 of the window selection register (WSR) enables the bus-hold protocol.</p> <p>HOLD# is multiplexed with P2.5.</p>
INST	O	<p>Instruction Fetch</p> <p>This active-high output signal is valid only during external memory bus cycles. When high, INST indicates that an instruction is being fetched from external memory. The signal remains high during the entire bus cycle of an external instruction fetch. INST is low for data accesses, including interrupt vector fetches and chip configuration byte reads. INST is low during internal memory fetches.</p> <p>INST is multiplexed with P5.1 and SLPCS#.</p>
INTOUT#	O	<p>Interrupt Output</p> <p>This active-low output indicates that a pending interrupt requires use of the external bus. How quickly the microcontroller asserts INTOUT# depends upon the status of HOLD# and HLDA# and whether the microcontroller is executing from internal or external program memory. If the microcontroller is executing from internal memory and receives an interrupt request while in hold, it asserts INTOUT# immediately. However, if the microcontroller is executing code from external memory and receives an interrupt request while in hold, it asserts BREQ# and waits until the external device deasserts HOLD# to assert INTOUT#. If the microcontroller is executing code from external memory and receives an interrupt request as it is going into hold (between the time that an external device asserts HOLD# and the time that the microcontroller responds with HLDA#), the microcontroller asserts both HLDA# and INTOUT# and keeps them asserted until the external device deasserts HOLD#.</p> <p>INTOUT# is multiplexed with P2.4 and AINC#.</p>
NMI	I	<p>Nonmaskable Interrupt</p> <p>In normal operating mode, a rising edge on NMI generates a nonmaskable interrupt. NMI has the highest priority of all prioritized interrupts. Assert NMI for greater than one state time to guarantee that it is recognized.</p>
ONCE#	I	<p>On-circuit Emulation</p> <p>Holding ONCE# low during the rising edge of RESET# places the device into on-circuit emulation (ONCE) mode. This mode puts all pins into a high-impedance state, thereby isolating the device from other components in the system. The value of ONCE# is latched when the RESET# pin goes inactive. While the device is in ONCE mode, you can debug the system using a clip-on emulator. To exit ONCE mode, reset the device by pulling the RESET# signal low. To prevent inadvertent entry into ONCE mode, either configure this pin as an output or hold it high during reset and ensure that your system meets the V_{IH} specification (see datasheet).</p> <p>ONCE# is multiplexed with P2.6.</p>

Table A-3. Signal Descriptions (Continued)

Name	Type	Description
P0.7:0	I	<p>Port 0</p> <p>This is a high-impedance, input-only port. Port 0 pins should not be left floating. These pins may individually be used as analog inputs (ACHx) or digital inputs (P0.x). While it is possible for the pins to function simultaneously as analog and digital inputs, this is not recommended because reading port 0 while a conversion is in process can produce unreliable conversion results.</p> <p>ANGND and V_{REF} must be connected for port 0 to function.</p> <p>P0.7:4 are multiplexed with ACH7:4 and PMODE.3:0. P0.3:0 are multiplexed with ACH3:0.</p>
P1.7:0	I/O	<p>Port 1</p> <p>This is a standard, bidirectional port that is multiplexed with individually selectable special-function signals.</p> <p>Port 1 is multiplexed as follows: P1.0/EPA0, P1.1/EPA1, P1.2/EPA2, P1.3/EPA3, P1.4/T1CLK, P1.5/T1DIR, P1.6/T2CLK, and P1.7/T2DIR.</p>
P2.7:0	I/O	<p>Port 2</p> <p>This is a standard bidirectional port that is multiplexed with individually selectable special-function signals.</p> <p>P2.6 is multiplexed with the ONCE# function. If this pin is held low during reset, the device will enter ONCE mode, so exercise caution if you use this pin for input. If you choose to configure this pin as an input, always hold it high during reset and ensure that your system meets the V_{IH} specification (see datasheet) to prevent inadvertent entry into a test mode.</p> <p>Port 2 is multiplexed as follows: P2.0/TXD/PVER, P2.1/RXD/PALE#, P2.2/EXTINT/PROG#, P2.3/BREQ#, P2.4/INTOUT#/AINC#, P2.5/HOLD#, P2.6/HLDA#/ONCE#/CPVER, P2.7/CLKOUT/PACT#.</p>
P3.7:0	I/O	<p>Port 3</p> <p>This is an 8-bit, bidirectional, memory-mapped I/O port with open-drain outputs. The pins are shared with the multiplexed address/data bus, which has complementary drivers.</p> <p>P3.7:0 are multiplexed with AD7:0, SLP7:0, and PBUS.7:0.</p>
P4.7:0	I/O	<p>Port 4</p> <p>This is an 8-bit, bidirectional, memory-mapped I/O port with open-drain outputs. The pins are shared with the multiplexed address/data bus, which has complementary drivers.</p> <p>P4.7:0 are multiplexed with AD15:8 and PBUS15:8.</p>
P5.7:0	I/O	<p>Port 5</p> <p>This is an 8-bit, bidirectional, memory-mapped I/O port.</p> <p>P5.4 is multiplexed with a special test-mode-entry function. If this pin is held low during reset, the device will enter a reserved test mode, so exercise caution if you use this pin for input. If you choose to configure this pin as an input, always hold it high during reset and ensure that your system meets the V_{IH} specification (see datasheet) to prevent inadvertent entry into a test mode.</p> <p>Port 5 is multiplexed as follows: P5.0/ALE/ADV#/SLPALE, P5.1/INST/SLPCS#, P5.2/WR#/WRL#/SLPWR#, P5.3/RD#/SLPRD#, /SLPINT, P5.5/BHE#/WRH#, P5.6/READY, and P5.7/BUSWIDTH.</p>

Table A-3. Signal Descriptions (Continued)

Name	Type	Description
P6.7:0	I/O	Port 6 This is a standard 8-bit bidirectional port. Port 6 is multiplexed as follows: P6.0/EPA8/COMP0, P6.1/EPA9/COMP1, P6.2/T1CLK, P6.3/T1DIR, P6.4/SC0, P6.5/SD0, P6.6/SC1, and P6.7/SD1.
PACT#	O	Programming Active During auto programming or ROM-dump, a low signal indicates that programming or dumping is in progress, while a high signal indicates that the operation is complete. PACT# is multiplexed with P2.7 and CLKOUT.
PALE#	I	Programming ALE During slave programming, a falling edge causes the device to read a command and address from the PBUS. PALE# is multiplexed with P2.1 and RXD.
PBUS15:0	I/O	Address/Command/Data Bus During slave programming, ports 3 and 4 serve as a bidirectional port with open-drain outputs to pass commands, addresses, and data to or from the device. Slave programming requires external pull-up resistors. During auto programming and ROM-dump, ports 3 and 4 serve as a regular system bus to access external memory. P4.6 and P4.7 are left unconnected; P1.1 and P1.2 serve as the upper address lines. Slave programming: PBUS.7:0 are multiplexed with AD7:0, SLP7:0, and P3.7:0. PBUS.15:8 are multiplexed with AD15:8 and P4.7:0. Auto programming: PBUS.7:0 are multiplexed with AD7:0, SLP7:0, and P3.7:0. PBUS.13:8 are multiplexed with AD13:8 and P4.5:0; PBUS15:14 are multiplexed with P1.2:1.
PMODE.3:0	I	Programming Mode Select The value on the PMODE pins determines the programming mode: 0H = serial port programming 5H = slave programming 6H = ROM-dump CH = auto programming PMODE is sampled after a device reset and must be static while the part is operating. PMODE.3:0 are multiplexed with P0.7:4 and ACH7:4.
PLLEN	I	Phase-locked Loop Enable This input pin enables and disables the on-chip clock multiplier feature. 0 = standard mode; internal frequency is equal to F_{XTAL1} . 1 = quadruple mode; internal frequency is equal to $4F_{XTAL1}$.

Table A-3. Signal Descriptions (Continued)

Name	Type	Description
PROG#	I	<p>Programming Start</p> <p>During programming, a falling edge latches data on the PBUS and begins programming, while a rising edge ends programming. The current location is programmed with the same data as long as PROG# remains asserted, so the data on the PBUS must remain stable while PROG# is active.</p> <p>During a word dump, a falling edge causes the contents of an OTPROM location to be output on the PBUS, while a rising edge ends the data transfer. PROG# is multiplexed with P2.2 and EXTINT.</p>
PVER	O	<p>Program Verification</p> <p>During slave or auto programming, PVER is updated after each programming pulse. A high output signal indicates successful programming of a location, while a low signal indicates a detected error.</p> <p>PVER is multiplexed with P2.0 and TXD.</p>
RD#	O	<p>Read</p> <p>Read-signal output to external memory. RD# is asserted only during external memory reads.</p> <p>RD# is multiplexed with P5.3 and SLPRD#.</p>
READY	I	<p>Ready Input</p> <p>This active-high input signal is used to lengthen external memory cycles for slow memory by generating wait states in addition to the wait states that are generated internally.</p> <p>When READY is high, CPU operation continues in a normal manner with wait states inserted as programmed in the chip configuration registers. READY is ignored for all internal memory accesses.</p> <p>READY is multiplexed with P5.6.</p>
RESET#	I/O	<p>Reset</p> <p>A level-sensitive reset input to and open-drain system reset output from the microcontroller. Either a falling edge on RESET# or an internal reset turns on a pull-down transistor connected to the RESET# pin for 16 state times. In the powerdown and idle modes, asserting RESET# causes the chip to reset and return to normal operating mode. After a device reset, the first instruction fetch is from FF2080H.</p>
RXCAN	I	<p>Receive</p> <p>This signal carries messages from other nodes on the CAN bus to the integrated CAN controller.</p>
RXD	I/O	<p>Receive Serial Data</p> <p>In modes 1, 2, and 3, RXD receives serial port input data. In mode 0, it functions as either an input or an open-drain output for data.</p> <p>RXD is multiplexed with P2.1 and PALE#.</p>
SC1:0	I/O	<p>Clock Pins for SSIO0 and 1</p> <p>For handshaking mode, configure SC1:0 as open-drain outputs.</p> <p>This pin carries a signal only during receptions and transmissions. When the SSIO port is idle, the pin remains either high (with handshaking) or low (without handshaking).</p> <p>SC0 is multiplexed with P6.4, and SC1 is multiplexed with P6.6.</p>

Table A-3. Signal Descriptions (Continued)

Name	Type	Description
SD1:0	I/O	Data Pins for SSIO0 and 1 SD0 is multiplexed with P6.5, and SD1 is multiplexed with P6.7.
SLP7:0	I/O	Slave Port Address/Data bus Slave port address/data bus in multiplexed mode and slave port data bus in demultiplexed mode. In multiplexed mode, SLP1 is the source of the internal control signal, SLP_ADDR. SLP7:0 are multiplexed with AD7:0, P3.7:0, and PBUS.7:0.
SLPALE	I	Slave Port Address Latch Enable Functions as either a latch enable input to latch the value on SLP1 (with a multiplexed address/data bus) or as the source of the internal control signal, SLP_ADDR (with a demultiplexed address/data bus). SLPALE is multiplexed with P5.0, ADV#, and ALE.
SLPCS#	I	Slave Port Chip Select SLPCS# must be held low to enable slave port operation. SLPCS# is multiplexed with P5.1 and INST.
SLPINT	O	Slave Port Interrupt This active-high slave port output signal can be used to interrupt the master processor. SLPINT is multiplexed with P5.4 and a special test-mode-entry pin . See P5.7:0 for special considerations.
SLPRD#	I	Slave Port Read Control Input This active-low signal is an input to the slave. Data from the P3_REG or SLP_STAT register is valid after the falling edge of SLPRD#. SLPRD# is multiplexed with P5.3 and RD#.
SLPWR#	I	Slave Port Write Control Input This active-low signal is an input to the slave. The rising edge of SLPWR# latches data on port 3 into the P3_PIN or SLP_CMD register. SLPWR# is multiplexed with P5.2, WR#, and WRL#.
T1CLK	I	Timer 1 External Clock External clock for timer 1. Timer 1 increments (or decrements) on both rising and falling edges of T1CLK. Also used in conjunction with T1DIR for quadrature counting mode. and External clock for the serial I/O baud-rate generator input (program selectable). T1CLK is multiplexed with P6.2.
T2CLK	I	Timer 2 External Clock External clock for timer 2. Timer 2 increments (or decrements) on both rising and falling edges of T2CLK. Also used in conjunction with T2DIR for quadrature counting mode. T2CLK is multiplexed with P1.0 and EPA0.
T1DIR	I	Timer 1 External Direction External direction (up/down) for timer 1. Timer 1 increments when T1DIR is high and decrements when it is low. Also used in conjunction with T1CLK for quadrature counting mode. T1DIR is multiplexed with P6.3.

Table A-3. Signal Descriptions (Continued)

Name	Type	Description
T2DIR	I	<p>Timer 2 External Direction</p> <p>External direction (up/down) for timer 2. Timer 2 increments when T2DIR is high and decrements when it is low. Also used in conjunction with T2CLK for quadrature counting mode.</p> <p>T2DIR is multiplexed with P1.2 and EPA2.</p>
TXCAN	O	<p>Transmit</p> <p>This signal carries messages from the integrated CAN controller to other nodes on the CAN bus.</p>
TXD	O	<p>Transmit Serial Data</p> <p>In serial I/O modes 1, 2, and 3, TXD transmits serial port output data. In mode 0, it is the serial clock output.</p> <p>TXD is multiplexed with P2.0 and PVER.</p>
V _{CC}	PWR	<p>Digital Supply Voltage</p> <p>Connect each V_{CC} pin to the digital supply voltage.</p>
V _{PP}	PWR	<p>Programming Voltage</p> <p>During programming, the V_{PP} pin is typically at +12.5 V (V_{PP} voltage). Exceeding the maximum V_{PP} voltage specification can damage the device.</p> <p>V_{PP} also causes the device to exit powerdown mode when it is driven low for at least 50 ns. Use this method to exit powerdown only when using an external clock source because it enables the internal phase clocks, but not the internal oscillator.</p>
V _{REF}	PWR	<p>Reference Voltage for the A/D Converter</p> <p>This pin also supplies operating voltage to both the analog portion of the A/D converter and the logic used to read port 0.</p>
V _{SS} , V _{SS1}	GND	<p>Digital Circuit Ground (Core Ground, Port Ground)</p> <p>Connect each V_{SS} and V_{SS1} pin to ground through the lowest possible impedance path. V_{SS} pins are connected to the core ground region of the microcontroller, while V_{SS1} pins are connected to the port ground region. (ANGND is connected to the analog ground region.) Separating the ground regions provides noise isolation.</p>
WR#	O	<p>Write[†]</p> <p>This active-low output indicates that an external write is occurring. This signal is asserted only during external memory writes.</p> <p>WR# is multiplexed with P5.2, SLPWR#, and WRL#.</p> <p>[†] The chip configuration register 0 (CCR0) determines whether this pin functions as WR# or WRL#. CCR0.2 = 1 selects WR#; CCR0.2 = 0 selects WRL#.</p>
WRH#	O	<p>Write High[†]</p> <p>During 16-bit bus cycles, this active-low output signal is asserted for high-byte writes and word writes to external memory. During 8-bit bus cycles, WRH# is asserted for all write operations.</p> <p>WRH# is multiplexed with P5.5 and BHE#.</p> <p>[†] The chip configuration register 0 (CCR0) determines whether this pin functions as BHE# or WRH#. CCR0.2 = 1 selects BHE#; CCR0.2 = 0 selects WRH#.</p>

Table A-3. Signal Descriptions (Continued)

Name	Type	Description
WRL#	O	Write Low [†] During 16-bit bus cycles, this active-low output signal is asserted for low-byte writes and word writes. During 8-bit bus cycles, WRL# is asserted for all write operations. WRL# is multiplexed with P5.2, SLPWR#, and WR#. [†] The chip configuration register 0 (CCR0) determines whether this pin functions as WR# or WRL#. CCR0.2 = 1 selects WR#; CCR0.2 = 0 selects WRL#.
XTAL1	I	Input Crystal/Resonator or External Clock Input Input to the on-chip oscillator and the internal clock generators. The internal clock generators provide the peripheral clocks, CPU clock, and CLKOUT signal. When using an external clock or crystal instead of the on-chip oscillator, connect the clock input to XTAL1. The external clock signal must meet the V_{IH} specification for XTAL1 (see datasheet).
XTAL2	O	Inverted Output for the Crystal/Resonator Output of the on-chip oscillator inverter. Leave XTAL2 floating when the design uses a external clock source instead of the on-chip oscillator.

A.3 DEFAULT CONDITIONS

Table A-5 lists the default functions of the I/O and control pins of the microcontroller with their values during various operating conditions. Table A-4 defines the symbols used to represent the pin status. Refer to the DC Characteristics table in the datasheet for actual specifications for V_{OL} , V_{IL} , V_{OH} , and V_{IH} .

Table A-4. Definition of Status Symbols

Symbol	Definition	Symbol	Definition
0	Voltage less than or equal to V_{OL} , V_{IL}	MD0	Medium pull-down
1	Voltage greater than or equal to V_{OH} , V_{IH}	MD1	Medium pull-up
HiZ	High impedance	WK0	Weak pull-down
LoZ0	Low impedance; strongly driven low	WK1	Weak pull-up
LoZ1	Low impedance; strongly driven high	ODIO	Open-drain I/O

Table A-5. 87C196CB Pin Status

Port Pins	Multiplexed With	Status During Reset	Status During Idle	Status During Powerdown
P0.7:4	ACH7:4	HiZ	HiZ	HiZ
P1.7:0	EPA7:0	WK1	(Note 3)	(Note 3)
P2.0	TXD	WK1	(Note 3)	(Note 3)
P2.1	RXD	WK1	(Note 3)	(Note 3)

Table A-5. 87C196CB Pin Status (Continued)

Port Pins	Multiplexed With	Status During Reset	Status During Idle	Status During Powerdown
P2.2	EXTINT	WK1	(Note 3)	(Note 3)
P2.3	BREQ#	WK1	(Note 3)	(Note 3)
P2.4	INTOUT#	WK1	(Note 3)	(Note 3)
P2.5	HOLD#	WK1	(Note 3)	(Note 3)
P2.6	HLDA#	WK1	(Note 3)	(Note 3)
P2.7	CLKOUT	CLKOUT active, LoZ0/1	(Note 3)	(Note 4)
P3.7:0	AD7:0	WK1	(Note 6)	(Note 6)
P4.7:0	AD15:8	WK1	(Note 6)	(Note 6)
EPORT.3:0	AD19:17	WK1	(Note 7)	(Note 7)
P5.0	ALE	WK1	(Note 1)	(Note 1)
P5.1	INST	WK0	(Note 1)	(Note 1)
P5.2	WR#/WRL#	WK1	(Note 3)	(Note 3)
P5.3	RD#	WK1	(Note 3)	(Note 3)
P5.4	SLPINT	WK1	(Note 3)	(Note 3)
P5.5	BHE#/WRH#	WK1	(Note 1)	(Note 1)
P5.6	READY	WK1	(Note 2)	(Note 2)
P5.7	BUSWIDTH	WK1	(Note 2)	(Note 2)
P6.1:0	EPA9:8	WK1	(Note 3)	(Note 3)
P6.2	T1CLK	WK1	(Note 3)	(Note 3)
P6.3	T1DIR	WK1	(Note 3)	(Note 3)
P6.4	SC0	WK1	(Note 3)	(Note 3)
P6.5	SD0	WK1	(Note 3)	(Note 3)
P6.6	SC1	WK1	(Note 3)	(Note 3)
P6.7	SD1	WK1	(Note 3)	(Note 3)
EA#	—	HiZ	HiZ	HiZ
NMI	—	HiZ	HiZ	HiZ
RXCAN	—	WK1	WK1	WK1
TXCAN	—	LoZ1	LoZ1	LoZ1
V _{PP}	—	HiZ	LoZ1	LoZ1
XTAL1	—	Osc input, HiZ	Osc input, HiZ	Osc input, HiZ
XTAL2	—	Osc output, LoZ0/1	Osc output, LoZ0/1	(Note 5)

NOTES:

1. If P5_MODE.y = 0, port is as programmed.
If P5_MODE.y = 1 and HLDA# = 1, P5.0 and P5.1 are LoZ0; P5.5 is LoZ1.
If P5_MODE.y = 1 and HLDA# = 0, port is HiZ.
2. If P5_MODE.y = 0, port is as programmed. If P5_MODE.y = 1, port is HiZ.
3. If Px_MODE.y = 0, port is as programmed.
If Px_MODE.y = 1, pin is as specified by Px_DIR and the associated peripheral.
4. If P2_MODE.7 = 0, pin is as programmed. If P2_MODE.7 = 1, pin is LoZ0.
5. If XTAL1 = 0, pin is LoZ1. If XTAL1 = 1, pin is LoZ0.
6. If EA# = 0, port is HiZ. If EA# = 1, port is open-drain I/O (ODIO).
7. Pins configured as address are high-impedance; pins configured as I/O remain unchanged.



Glossary

GLOSSARY

This glossary defines acronyms, abbreviations, and terms that have special meaning in this manual. (Chapter 1 discusses notational conventions and general terminology.)

absolute error	The maximum difference between corresponding actual and ideal <i>code transitions</i> . Absolute error accounts for all deviations of an actual A/D converter from an ideal converter.
accumulator	A register or storage location that forms the result of an arithmetic or logical operation.
actual characteristic	A graph of output code versus input voltage of an actual <i>A/D converter</i> . An actual characteristic may vary with temperature, supply voltage, and frequency conditions.
A/D converter	Analog-to-digital converter.
ALU	Arithmetic-logic unit. The part of the <i>RALU</i> that processes arithmetic and logical operations.
assert	The act of making a signal active (enabled). The polarity (high or low) is defined by the signal name. Active-low signals are designated by a pound symbol (#) suffix; active-high signals have no suffix. To assert RD# is to drive it low; to assert ALE is to drive it high.
attenuation	A decrease in amplitude; voltage decay.
bit	A binary digit.
BIT	A single-bit operand that can take on the Boolean values, “true” and “false.”
break-before-make	The property of a multiplexer which guarantees that a previously selected channel is deselected before a new channel is selected. (That is, break-before-make ensures that the <i>A/D converter</i> will not short inputs together.)
byte	Any 8-bit unit of data.
BYTE	An unsigned, 8-bit variable with values from 0 through 2^8-1 .

CAN	Controller area network. The 87C196CB's integrated networking peripheral, similar to Intel's standalone 82527 CAN serial communications controller, that supports CAN specification 2.0.
CCBs	Chip configuration bytes. The chip configuration registers (<i>CCRs</i>) are loaded with the contents of the <i>CCBs</i> after a device reset, unless the device is entering programming modes, in which case the <i>PCCBs</i> are used.
CCRs	Chip configuration registers. Registers that specify the environment in which the device will be operating. The chip configuration registers are loaded with the contents of the <i>CCBs</i> after a device reset unless the device is entering programming modes, in which case the <i>PCCBs</i> are used.
channel-to-channel matching error	The difference between corresponding <i>code transitions</i> of actual characteristics taken from different <i>A/D converter</i> channels under the same temperature, voltage, and frequency conditions. This error is caused by differences in <i>DC input leakage</i> and on-channel resistance from one multiplexer channel to another.
characteristic	A graph of output code versus input voltage; the <i>transfer function</i> of an <i>A/D converter</i> .
clear	The "0" value of a bit or the act of giving it a "0" value. See also <i>set</i> .
code	1) A set of instructions that perform a specific function; a program. 2) The digital value output by the <i>A/D converter</i> .
code center	The voltage corresponding to the midpoint between two adjacent <i>code transitions</i> on the <i>A/D converter</i> .
code transition	The point at which the <i>A/D converter's</i> output code changes from "Q" to "Q+1." The input voltage corresponding to a code transition is defined as the voltage that is equally likely to produce either of two adjacent codes.

code width	The voltage change corresponding to the difference between two adjacent <i>code transitions</i> . Code width deviations cause <i>differential nonlinearity</i> and <i>nonlinearity</i> errors.
crosstalk	See <i>off-isolation</i> .
DC input leakage	Leakage current from an analog input pin to ground.
deassert	The act of making a signal inactive (disabled). The polarity (high or low) is defined by the signal name. Active-low signals are designated by a pound symbol (#) suffix; active-high signals have no suffix. To deassert RD# is to drive it high; to deassert ALE is to drive it low.
differential nonlinearity	The difference between the actual <i>code width</i> and the ideal one-LSB code width of the <i>terminal-based characteristic</i> of an A/D converter. It provides a measure of how much the input voltage may have changed in order to produce a one-count change in the conversion result. <i>Differential nonlinearity</i> is a measure of local code-width error; <i>nonlinearity</i> is a measure of overall code-transition error.
doping	The process of introducing a periodic table Group III or Group V element into a Group IV element (e.g., silicon). A Group III impurity (e.g., indium or gallium) results in a <i>p-type</i> material. A Group V impurity (e.g., arsenic or antimony) results in an <i>n-type</i> material.
double-word	Any 32-bit unit of data.
DOUBLE-WORD	An unsigned, 32-bit variable with values from 0 through $2^{32}-1$.
EPA	Event processor array. An integrated peripheral that provides high-speed input/output capability.
EPROM	Erasable, programmable read-only-memory.
ESD	Electrostatic discharge.
feedthrough	The <i>attenuation</i> from an input voltage on the selected channel to the A/D output after the <i>sample window</i> closes. The ability of the <i>A/D converter</i> to reject an input on its selected channel after the sample window closes.

FET	Field-effect transistor.
frequency generator	The 8XC196MD peripheral that generates outputs with a fixed 50% duty cycle and a programmable frequency. The frequency generator can be used for infrared transmission.
full-scale error	The difference between the ideal and actual input voltage corresponding to the final (full-scale) <i>code transition</i> of an <i>A/D converter</i> .
hold latency	The time it takes the microcontroller to assert HLDA# after an external device asserts HOLD#.
ideal characteristic	The <i>characteristic</i> of an ideal <i>A/D converter</i> . An ideal characteristic is unique: its first <i>code transition</i> occurs when the input voltage is 0.5 LSB, its full-scale (final) code transition occurs when the input voltage is 1.5 LSB less than the full-scale reference, and its code widths are all exactly 1.0 LSB. These properties result in a conversion without <i>zero-offset</i> , <i>full-scale</i> , or <i>linearity</i> errors. <i>Quantizing error</i> is the only error seen in an ideal A/D converter.
input leakage	Current leakage from an input pin to power or ground.
input series resistance	The effective series resistance from an analog input pin to the <i>sample capacitor</i> of an <i>A/D converter</i> .
integer	Any member of the set consisting of the positive and negative whole numbers and zero.
INTEGER	A 16-bit, signed variable with values from -2^{15} through $+2^{15}-1$.
interrupt controller	The module responsible for handling interrupts that are to be serviced by <i>interrupt service routines</i> that you provide. Also called the <i>programmable interrupt controller (PIC)</i> .
interrupt latency	The total delay between the time that an interrupt is generated (not acknowledged) and the time that the device begins executing the <i>interrupt service routine</i> or <i>PTS routine</i> .
interrupt service routine	A software routine that you provide to service a standard interrupt. See also <i>PTS routine</i> .
interrupt vector	A location in <i>special-purpose memory</i> that holds the starting address of an <i>interrupt service routine</i> .

ISR	See <i>interrupt service routine</i> .
linearity errors	See <i>differential nonlinearity</i> and <i>nonlinearity</i> .
LONG-INTEGER	A 32-bit, signed variable with values from -2^{31} through $+2^{31}-1$.
LSB	1) Least-significant bit of a byte or least-significant byte of a word. 2) In an A/D converter, the reference voltage divided by 2^n , where n is the number of bits to be converted. For a 10-bit converter with a reference voltage of 5.12 volts, one LSB is equal to 5.0 millivolts ($5.12 \div 2^{10}$).
maskable interrupts	All interrupts except unimplemented opcode, software trap, and NMI. Maskable interrupts can be disabled (masked) by the individual mask bits in the interrupt mask registers, and their servicing can be disabled by the global interrupt enable bit. Each <i>maskable interrupt</i> can be assigned to the <i>PTS</i> for processing.
monotonic	The property of <i>successive approximation</i> converters which guarantees that increasing input voltages produce adjacent <i>codes</i> of increasing value, and that decreasing input voltages produce adjacent codes of decreasing value. (In other words, a converter is monotonic if every code change represents an input voltage change in the same direction.) Large <i>differential nonlinearity</i> errors can cause the converter to exhibit nonmonotonic behavior.
MSB	Most-significant bit of a <i>byte</i> or most-significant byte of a <i>word</i> .
<i>n</i>-channel FET	A field-effect transistor with an <i>n</i> -type conducting path (channel).
<i>n</i>-type material	Semiconductor material with introduced impurities (<i>doping</i>) causing it to have an excess of negatively charged carriers.
no missing codes	An A/D converter has <i>no missing codes</i> if, for every output code, there is a unique input voltage range which produces that code only. Large <i>differential nonlinearity</i> errors can cause the converter to miss codes.

nonlinearity	The maximum deviation of <i>code transitions</i> of the <i>terminal-based characteristic</i> from the corresponding code transitions of the <i>ideal characteristic</i> .
nonmaskable interrupts	Interrupts that cannot be masked (disabled) and cannot be assigned to the PTS for processing. The nonmaskable interrupts are unimplemented opcode, software trap, and NMI.
nonvolatile memory	Read-only memory that retains its contents when power is removed. Many MCS [®] 96 microcontrollers are available with either masked ROM, <i>EPROM</i> , or <i>OTPROM</i> . Consult the <i>Automotive Products</i> or <i>Embedded Microcontrollers</i> databook to determine which type of memory is available for a specific device.
npn transistor	A transistor consisting of one part <i>p</i> -type material and two parts <i>n</i> -type material.
off-isolation	The ability of an <i>A/D converter</i> to reject (isolate) the signal on a deselected (off) output.
OTPROM	One-time-programmable read-only memory. Similar to <i>EPROM</i> , but it comes in an unwindowed package and cannot be erased.
p-channel FET	A field-effect transistor with a <i>p</i> -type conducting path.
p-type material	Semiconductor material with introduced impurities (<i>doping</i>) causing it to have an excess of positively charged carriers.
PC	Program counter.
PCCBs	Programming chip configuration bytes, which are loaded into the chip configuration registers (<i>CCRs</i>) when the device is entering programming modes; otherwise, the <i>CCBs</i> are used.
PIC	Programmable interrupt controller. The module responsible for handling interrupts that are to be serviced by <i>interrupt service routines</i> that you provide. Also called simply the <i>interrupt controller</i> .

prioritized interrupt	Any <i>maskable interrupt</i> or nonmaskable NMI. Two of the <i>nonmaskable interrupts</i> (unimplemented opcode and software trap) are not prioritized; they vector directly to the <i>interrupt service routine</i> when executed.
program memory	A partition of memory where instructions can be stored for fetching and execution.
protected instruction	An instruction that prevents an interrupt from being acknowledged until after the next instruction executes. The protected instructions are DI, EI, DPTS, EPTS, POPA, POPF, PUSHA, and PUSHF.
PSW	Processor status word. The high byte of the PSW is the status byte, which contains one bit that globally enables or disables servicing of all maskable interrupts, one bit that enables or disables the <i>PTS</i> , and six Boolean flags that reflect the state of the current program. The low byte of the PSW is the INT_MASK register. A push or pop instruction saves or restores both bytes (PSW + INT_MASK).
PTS	Peripheral transaction server. The microcoded hardware interrupt processor.
PTSCB	See <i>PTS control block</i> .
PTS control block	A block of data required for each <i>PTS interrupt</i> . The microcode executes the proper <i>PTS routine</i> based on the contents of the PTS control block.
PTS cycle	The microcoded response to a single PTS interrupt request.
PTS interrupt	Any <i>maskable interrupt</i> that is assigned to the <i>PTS</i> for interrupt processing.
PTS mode	A microcoded response that enables the <i>PTS</i> to complete a specific task quickly. These tasks include transferring a single byte or word, transferring a block of bytes or words, managing multiple A/D conversions, and generating <i>PWM</i> outputs.
PTS routine	The entire microcoded response to multiple PTS interrupt requests. The PTS routine is controlled by the contents of the PTS control block.

PTS transfer	The movement of a single byte or word from the source memory location to the destination memory location.
PTS vector	A location in <i>special-purpose memory</i> that holds the starting address of a <i>PTS control block</i> .
PWM	Pulse-width modulated (outputs). The 8XC196Mx devices have several options for producing PWM outputs: the generic pulse-width modulator modules, the <i>waveform generator</i> , and the <i>EPA</i> with or without the <i>PTS</i> . The 8XC196MD also has a <i>frequency generator</i> that produces PWM outputs.
quantizing error	An unavoidable A/D conversion error that results simply from the conversion of a continuous voltage to its integer digital representation. Quantizing error is always ± 0.5 LSB and is the only error present in an ideal <i>A/D converter</i> .
RALU	Register arithmetic-logic unit. A part of the CPU that consists of the <i>ALU</i> , the <i>PSW</i> , the master <i>PC</i> , the microcode engine, a loop counter, and six registers.
repeatability error	The difference between corresponding <i>code transitions</i> from different <i>actual characteristics</i> taken from the same converter on the same channel with the same temperature, voltage, and frequency conditions. The amount of repeatability error depends on the comparator's ability to resolve very similar voltages and the extent to which random noise contributes to the error.
reserved memory	A memory location that is reserved for factory use or for future expansion. Do not use a reserved memory location except to initialize it with FFH.
resolution	The number of input voltage levels that an <i>A/D converter</i> can unambiguously distinguish between. The number of useful bits of information that the converter can return.
sample capacitor	A small (2–3 pF) capacitor used in the <i>A/D converter</i> circuitry to store the input voltage on the selected input channel.

sample delay	The time period between the time that <i>A/D converter</i> receives the “start conversion” signal and the time that the <i>sample capacitor</i> is connected to the selected channel.
sample delay uncertainty	The variation in the <i>sample delay</i> .
sample time	The period of time that the <i>sample window</i> is open. (That is, the length of time that the input channel is actually connected to the <i>sample capacitor</i> .)
sample time uncertainty	The variation in the <i>sample time</i> .
sample window	The period of time that begins when the <i>sample capacitor</i> is attached to a selected channel of an <i>A/D converter</i> and ends when the sample capacitor is disconnected from the selected channel.
sampled inputs	<p>All input pins, with the exception of RESET#, are sampled inputs. The input pin is sampled one state time before the read buffer is enabled. Sampling occurs during PH1 (while CLKOUT is low) and resolves the value (high or low) of the pin before it is presented to the internal bus. If the pin value changes during the sample time, the new value may or may not be recorded during the read.</p> <p>RESET# is a level-sensitive input. EXTINT is normally a sampled input; however, the powerdown circuitry uses EXTINT as a level-sensitive input during powerdown mode.</p>
SAR	<i>Successive approximation</i> register. A component of the <i>A/D converter</i> .
set	The “1” value of a bit or the act of giving it a “1” value. See also <i>clear</i> .
SFR	Special-function register.
SHORT-INTEGER	An 8-bit, signed variable with values from -2^7 through $+2^7-1$.
sign extension	A method for converting data to a larger format by filling the upper bit positions with the value of the sign. This conversion preserves the positive or negative value of signed integers.
sink current	Current flowing into a device to ground. Always a positive value.

source current	Current flowing out of a device from V_{CC} . Always a negative value.
SP	Stack pointer.
special interrupt	Any of the three <i>nonmaskable interrupts</i> (unimplemented opcode, software trap, or NMI).
special-purpose memory	A partition of memory used for storing the <i>interrupt vectors</i> , <i>PTS vectors</i> , chip configuration bytes, and several reserved locations.
standard interrupt	Any <i>maskable interrupt</i> that is assigned to the <i>interrupt controller</i> for processing by an <i>interrupt service routine</i> .
state time (or state)	The basic time unit of the device; the combined period of the two internal timing signals, PH1 and PH2. (The internal clock generator produces PH1 and PH2 by halving the frequency of the signal on XTAL1. The rising edges of the active-high PH1 and PH2 signals generate CLKOUT, the output of the internal clock generator.) Because the device can operate at many frequencies, this manual defines time requirements in terms of <i>state times</i> rather than in specific units of time.
successive approximation	An A/D conversion method that uses a binary search to arrive at the best digital representation of an analog input.
temperature coefficient	Change in the stated variable for each degree Centigrade of temperature change.
temperature drift	The change in a specification due to a change in temperature. Temperature drift can be calculated by using the <i>temperature coefficient</i> for the specification.
terminal-based characteristic	An <i>actual characteristic</i> that has been translated and scaled to remove <i>zero-offset error</i> and <i>full-scale error</i> . A terminal-based characteristic resembles an <i>actual characteristic</i> with zero-offset error and full-scale error removed.
transfer function	A graph of output <i>code</i> versus input voltage; the <i>characteristic</i> of the <i>A/D converter</i> .

transfer function errors	Errors inherent in an analog-to-digital conversion process: <i>quantizing error</i> , <i>zero-offset error</i> , <i>full-scale error</i> , <i>differential nonlinearity</i> , and <i>nonlinearity</i> . Errors that are hardware-dependent, rather than being inherent in the process itself, include <i>feedthrough</i> , <i>repeatability</i> , <i>channel-to-channel matching</i> , <i>off-isolation</i> , and V_{CC} <i>rejection</i> errors.
UART	Universal asynchronous receiver and transmitter. A part of the serial I/O port.
V_{CC} rejection	The property of an A/D converter that causes it to ignore (reject) changes in V_{CC} so that the <i>actual characteristic</i> is unaffected by those changes. The effectiveness of V_{CC} <i>rejection</i> is measured by the ratio of the change in V_{CC} to the change in the <i>actual characteristic</i> .
watchdog timer	An internal timer that resets the device if software fails to respond before the timer overflows.
waveform generator	One of the 8XC196Mx peripherals that can be used to produce pulse-width modulated (PWM) outputs. The waveform generator is optimized for controlling 3-phase AC induction motors, brushless DC motors, and other devices requiring multiple PWM outputs.
WDT	See <i>watchdog timer</i> .
word	Any 16-bit unit of data.
WORD	An unsigned, 16-bit variable with values from 0 through $2^{16}-1$.
zero extension	A method for converting data to a larger format by filling the upper bit positions with zeros.
zero-offset error	An ideal <i>A/D converter's</i> first <i>code transition</i> occurs when the input voltage is 0.5 LSB. Zero-offset error is the difference between 0.5 LSB and the actual input voltage that triggers an A/D converter's first code transition.



Index

A

- A/D converter, signals, 6-1
- AD_COMMAND register, 6-2
- AD_RESULT register, 6-3
- Auto programming mode
 - circuit, 10-3
 - memory map, 10-2

B

- Block diagram
 - CAN peripheral, 7-2
 - clock circuitry, 2-2
 - core and peripherals, 2-2
- Bus-timing modes, 9-1–9-2
 - comparison, 9-1, 9-2

C

- CAN serial communications controller, 7-1–7-42
 - address map, 7-5
 - bit timing, 7-10–7-12
 - block diagram, 7-2
 - bus-off state, 7-41
 - error detection and management logic, 7-9
 - message
 - acceptance filtering, 7-6
 - frames, 7-7
 - extended, 7-8
 - standard, 7-8
 - identifiers, effect of masking on, 7-7
 - objects, 7-5–7-6
 - overview, 7-1–7-2
 - programming, 7-4–7-31
 - receive and transmit priorities, 7-6
 - registers, 7-3–7-4
 - signals, 7-3
- CAN_BTIME0 register, 7-3, 7-15
- CAN_BTIME1 register, 7-3, 7-16
- CAN_CON register, 7-3, 7-13, 7-29
- CAN_EGMSK register, 7-3, 7-19
- CAN_INT register, 7-3, 7-32
- CAN_MSGxCFG register, 7-3, 7-21
- CAN_MSGxCON0 register, 7-3, 7-24, 7-31, 7-34
- CAN_MSGxCON1 register, 7-4, 7-26

- CAN_MSGxDATA0-7 register, 7-28
- CAN_MSGxDATAx register, 7-4
- CAN_MSGxID register, 7-4
- CAN_MSGxID0-3 register, 7-22
- CAN_MSK15 register, 7-4, 7-20
- CAN_SGMSK register, 7-4, 7-18
- CAN_STAT register, 7-4, 7-33
- CCR1 register, 9-3
- CLKOUT, and internal timing, 2-2–2-4
- Clock circuitry, 2-3
- Clock phases, internal, 2-4

D

- Documents, related, 1-2

E

- EP_DIR register, 5-2
- EP_MODE register, 5-2
- EPORT, 5-1
- EP_PIN register, 5-3
- EP_REG register, 5-3

F

- Formulas
 - clock period (t), 2-4
 - PH1 and PH2 frequency, 2-4
 - state time, 2-4
- Frequency (f), 2-4
- F_{XTAL1}, 2-4

I

- Idle mode, pin status, A-14
- Interrupts, 4-1
- INT_MASK1 register, 4-2
- INT_PEND1 register, 4-2

M

- Manual contents, summary, 1-1
- Memory mapping
 - auto programming mode, 10-2
 - serial port programming mode, 10-3

P

PO_PIN register, 5-1
 Period (t), 2-4
 Pin diagrams, A-1
 Pins, reset status, A-14–A-15
 Port 0, 5-1
 Powerdown mode, pin status, A-14

R

Registers

AD_COMMAND, 6-2
 AD_RESULT, 6-3
 CAN_BTIME0, 7-3, 7-15
 CAN_BTIME1, 7-3, 7-16
 CAN_CON, 7-3, 7-13, 7-29
 CAN_EGMSK, 7-3, 7-19
 CAN_INT, 7-3, 7-32
 CAN_MSGxCFG, 7-3, 7-21
 CAN_MSGxCON0, 7-3, 7-24, 7-31, 7-34
 CAN_MSGxCON1, 7-4, 7-26
 CAN_MSGxDATA0-7, 7-28
 CAN_MSGxDATAx, 7-4
 CAN_MSGxID, 7-4
 CAN_MSGxID0-3, 7-22
 CAN_MSK15, 7-4, 7-20
 CAN_SGMSK, 7-4, 7-18
 CAN_STAT, 7-4, 7-33
 CCR1, 9-3
 EP_DIR, 5-2
 EP_MODE, 5-2
 EP_PIN, 5-3
 EP_REG, 5-3
 INT_MASK1, 4-2
 INT_PEND1, 4-2
 PO_PIN, 5-1

Reset status, I/O and control pins, A-14

S

Serial port programming mode, 10-4
 SFRs, windowed direct addresses, 3-11
 Signal descriptions, A-4–A-14
 State time, defined, 2-4

T

Timing

internal, 2-2, 2-4

selectable bus-timing, 8-1

W

Windows

and memory-mapped SFRs, 3-9
 locations that cannot be windowed, 3-9
 table of, 3-11
 WSR values and direct addresses, 3-9

Free Manuals Download Website

<http://myh66.com>

<http://usermanuals.us>

<http://www.somanuals.com>

<http://www.4manuals.cc>

<http://www.manual-lib.com>

<http://www.404manual.com>

<http://www.luxmanual.com>

<http://aubethermostatmanual.com>

Golf course search by state

<http://golfingnear.com>

Email search by domain

<http://emailbydomain.com>

Auto manuals search

<http://auto.somanuals.com>

TV manuals search

<http://tv.somanuals.com>