

SC5000 Rack Kit Installation Guide

Order Number: 749354-002

Disclaimer

Intel Corporation (Intel) makes no warranty of any kind with regard to this material, including, but not limited to, the implied warranties of merchantability and fitness for a particular purpose. Intel assumes no responsibility for any errors that may appear in this document. Intel makes no commitment to update nor to keep current the information contained in this document. No part of this document may be copied or reproduced in any form or by any means without prior written consent of Intel.

An Intel® product, when used in accordance with its associated documentation, is "Year 2000 Capable" when, upon installation, it accurately stores, displays, processes, provides, and/or receives date data from, into, and between the twentieth and twenty-first centuries, including leap year calculations, provided that all other technology used in combination with said product properly exchanges date data with it.

† Third party brands and trademarks are the property of their respective owners.

Copyright © 2000, Intel Corporation. All Rights Reserved.

Contents

Safety Guidelines

| | |
|----------------------------------|---|
| Server Precautions | 5 |
| Equipment Rack Precautions | 6 |

Rack Installation Procedures

| | |
|---|----|
| Kit Contents | 9 |
| Remove Feet | 10 |
| Remove Top Cover | 11 |
| Remove 5 ¼-Inch Devices | 12 |
| Remove Door | 14 |
| Remove Bezel | 16 |
| Remove EMI Covers | 17 |
| Remove Right Side Cover | 18 |
| Install Right Side Cover | 19 |
| Install 5 ¼-Inch Devices into the Reorientation Bracket | 20 |
| Install the 5 ¼-Inch Reorientation Bracket | 21 |
| Install Bezel | 22 |
| Install Screw Plate | 24 |
| Install Front Cover | 25 |
| Install Top Cover | 26 |
| Install Rails | 27 |

Figures

| | |
|---|----|
| 1. Removing the Feet | 10 |
| 2. Removing the Cover | 11 |
| 3. Removing a 5 ¼-inch Device | 12 |
| 4. Removing Slide Rails | 13 |
| 5. Removing the Hinge Pins | 14 |
| 6. Removing the Hinge Plate | 15 |
| 7. Removing the Bezel | 16 |
| 8. Removing the EMI Covers | 17 |
| 9. Removing the Right Side Cover | 18 |
| 10. Installing the Right Side Cover | 19 |
| 11. Installing 5 ¼-Inch Devices | 20 |
| 12. Installing the 5 ¼-Inch Reorientation Bracket | 21 |
| 13. Installing the Chassis Intrusion Lock | 22 |
| 14. Installing the Bezel | 23 |
| 15. Installing the Screw Plate | 24 |
| 16. Installing the Front Cover | 25 |
| 17. Installing the Top Cover | 26 |
| 18. Installing the Handles | 27 |
| 19. Attaching the Rail to the Chassis | 27 |
| 20. Rails Installed in a Rack | 28 |
| 21. Installing the Server into a Rack | 28 |

Safety Guidelines

Before you remove a server cover, observe these safety guidelines:

- Only technically qualified personnel should integrate the server.
- Turn off all peripheral devices connected to the server.
- Turn off the server using the push-button on/off power switch on the front panel of the server, and unplug the AC power cord from the power supply or wall outlet.
- Label and disconnect all peripheral cables attached to the I/O panel on the back of the server.
- Provide some electrostatic discharge (ESD) protection by wearing an antistatic wrist strap attached to chassis ground of the server—any unpainted metal surface—when handling components.

Server Precautions

WARNINGS

SERVER POWER ON/OFF: The push-button on/off power switch on the front panel of the server does not turn off the AC power. To remove AC power from the server, you must unplug the AC power cord from either the power supply or wall outlet.

HAZARDOUS CONDITIONS—POWER SUPPLY: Hazardous voltage, current, and energy levels are present inside the power supply enclosure. There are no user-serviceable parts inside it; servicing should only be done by technically qualified personnel.

HAZARDOUS CONDITIONS—DEVICES AND CABLES: Hazardous electrical conditions may be present on power, telephone, and communication cables. Turn off the server and disconnect telecommunications systems, networks, modems, and the power cord attached to the server before opening it. Otherwise, personal injury or equipment damage can result.

AVOID INJURY: To avoid personal injury when unpacking the server, use only a mechanical assist unit to lift it off the shipping pallet. The minimum server configuration weighs 38 kg (85 lbs.); the maximum weighs 45 kg (100 lbs.).

Do not attempt to lift or move the server by the handles on the power supplies.

Use only a hand-truck or other mechanical assist unit to move the server from one location to another.



CAUTIONS

ELECTROSTATIC DISCHARGE (ESD) AND ESD PROTECTION: ESD can damage disk drives, add-in boards, and other components. This server can withstand normal levels of environmental ESD while hot-swapping SCSI hard disk drives. However, we recommend doing all procedures in this manual only at an ESD-protected workstation. If one is not available, you can provide some ESD protection by wearing an antistatic wrist strap attached to chassis ground of the server—any unpainted metal surface—when handling components.

HANDLING BOARDS AND MODULES: Boards and modules can be extremely sensitive to ESD and always require careful handling. After removing a board or module from its protective wrapper or from the server, place it component-side up on a nonconductive, static-free surface. If you place the baseboard on a conductive surface, the battery leads can short out. If they do, this will result in a loss of CMOS data and will drain the battery. Do not slide a board or module over any surface.

SERVER COOLING AND AIRFLOW: Operating the server with the covers removed can damage the server components. For proper cooling and airflow, always replace the covers before turning on the server.

Equipment Rack Precautions



WARNINGS

ANCHOR THE EQUIPMENT RACK: The equipment rack must be anchored to an unmovable support to prevent it from falling over when one or more servers are extended in front of it on slide assemblies. The anchors must be able to withstand a force of up to 113 kg (250 lbs.). You must also consider the weight of any other device installed in the rack.

MAIN AC POWER DISCONNECT: You are responsible for installing an AC power disconnect for the entire rack unit. This main disconnect must be readily accessible, and it must be labeled as controlling power to the entire unit, not just to the server(s).

GROUNDING THE RACK INSTALLATION: To avoid the potential for an electrical shock hazard, you must include a third wire safety grounding conductor with the rack installation. If server power cords are plugged into AC outlets that are part of the rack, then you must provide proper grounding for the rack itself. If server power cords are plugged into wall AC outlets, the safety grounding conductor in each power cord provides proper grounding only for the server. You must provide additional, proper grounding for the rack and other devices installed in it.

OVERCURRENT PROTECTION: The server is designed for an AC line voltage source with up to 20 amperes of overcurrent protection. If the power system for the equipment rack is installed on a branch circuit with more than 20 amperes of protection, you must provide supplemental protection for the server. If more than one server is installed in the rack, the power source for each server must be from a separate branch circuit. The overall current rating of a server configured with a 350 watt 1+1 power supply is under 12 amperes.



CAUTIONS

Temperature: The operating temperature of the server, when installed in an equipment rack, must not go below 5 °C (41 °F) or rise above 35 °C (95 °F). Extreme fluctuations in temperature can cause a variety of problems in your server.

Ventilation: The equipment rack must provide sufficient airflow to the front of the server to maintain proper cooling. It must also include ventilation sufficient to exhaust a maximum of 2000 Btu's per hour for the server. The rack selected and the ventilation provided must be suitable to the environment in which the server will be used.

Rack Installation Procedures

This manual describes the procedure to convert an SC5000 chassis from the pedestal configuration to the rack configuration. It supplements the *Intel® SC5000 Server Chassis Subassembly Product Guide* (744708-003).

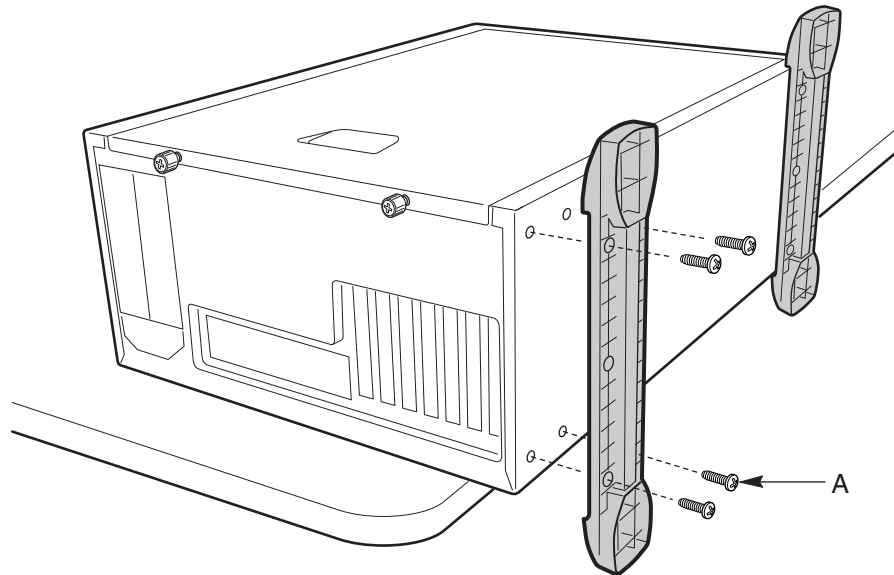
In the following procedures, chassis directions (top, bottom, left, right) refer to a chassis in rack orientation when you are facing the front of the chassis. Observe the safety and ESD precautions at the beginning of this manual.

Kit Contents

- Side cover with rack mounting holes
- Rack bezel assembly
- Bag of mounting hardware
- This manual
- Rail kit
- Rack brackets and handles
- 5 ¼ bay reorientation bracket

Remove Feet

1. Place the chassis on a workbench so the feet hang over the side.
2. Remove the four screws (Figure 1, A) that attach the rear foot to the chassis and remove the foot.
3. Remove the four screws that hold the front foot to the chassis and remove the foot.



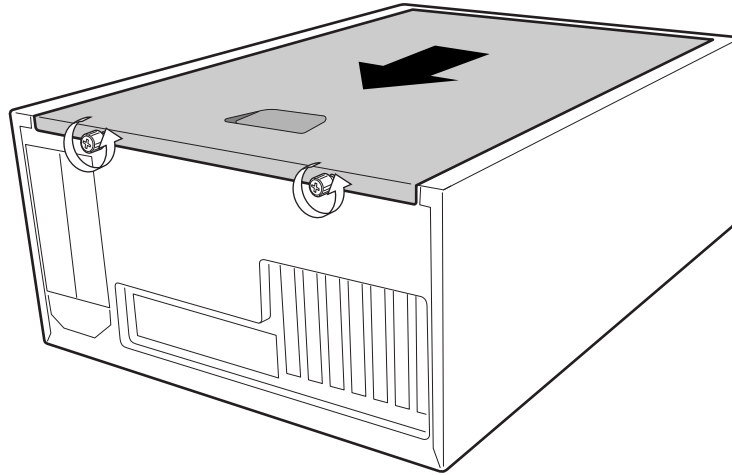
OM09378

Figure 1. Removing the Feet

A. Screw

Remove Top Cover

1. Loosen the two thumbscrews that attach the top cover to the chassis.
2. Slide the cover backward a short distance, until it stops.
3. Pull the entire cover outward, straight away from the chassis, to disengage the rows of tabs from the notches in the top and bottom edges of the chassis. Set the cover aside.

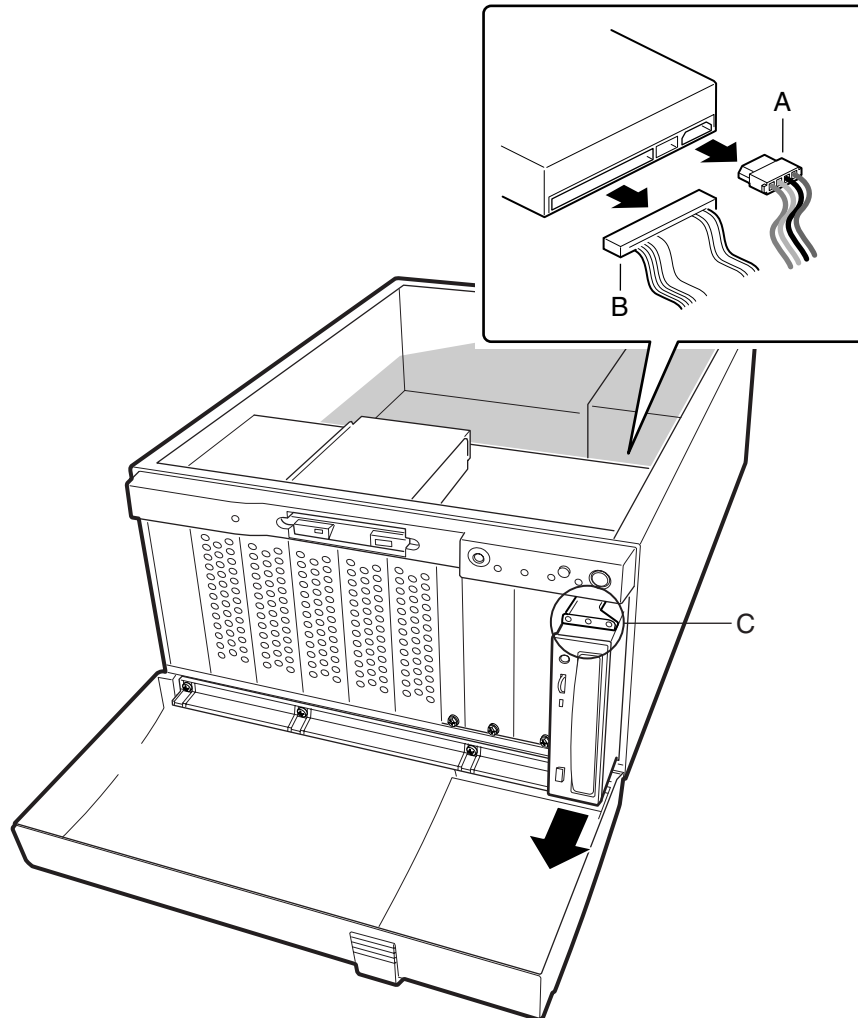


OM09379

Figure 2. Removing the Cover

Remove 5 ¼-Inch Devices

1. Disconnect the data and power cables from the device.
2. Remove and save the two screws that hold the slide rails to the chassis.

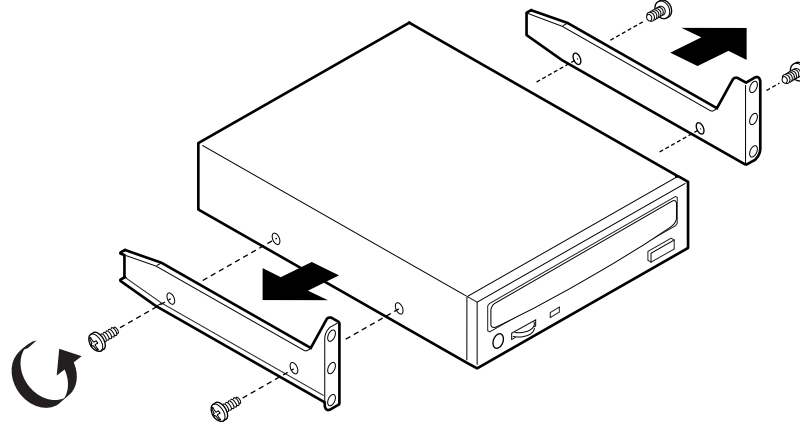


OM09381

Figure 3. Removing a 5 ¼-inch Device

- A. Power cable
- B. Data cable
- C. Slide rail

3. Remove and save the two screws that attach the slide rails to the device.

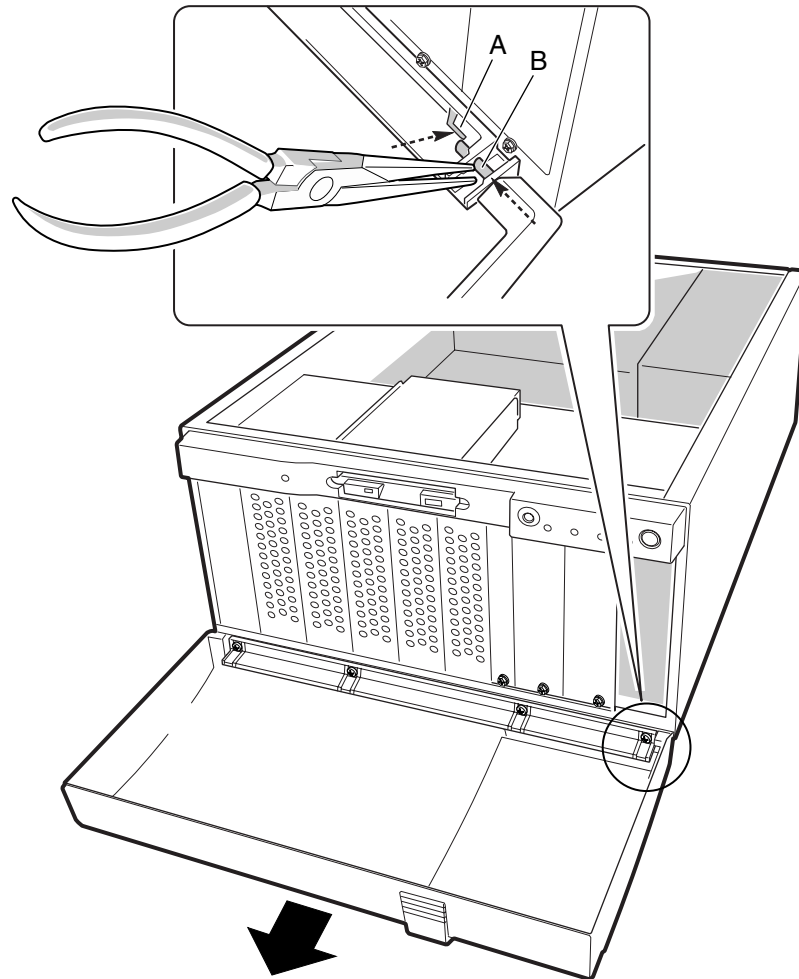


OM09383

Figure 4. Removing Slide Rails

Remove Door

1. Move the chassis so the door hangs over the edge of your workbench.
2. Open the door.
3. Press the plastic clip (Figure 5, A) in towards the chassis.
4. Pull the hinge pin (Figure 5, B) out with one hand while supporting the door with the other.
5. Slide the door to the left to remove it from the other hinge pin.
6. Remove the hinge pins and save for future use.

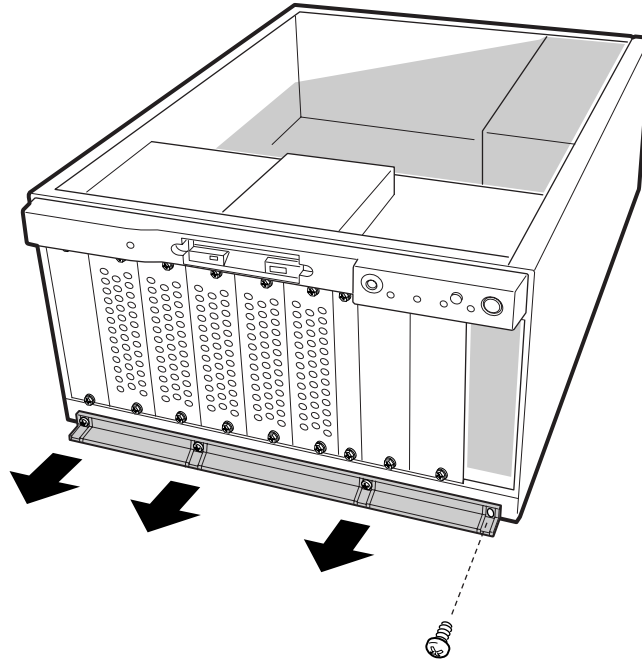


OM09389

Figure 5. Removing the Hinge Pins

- A. Plastic clip
- B. Hinge pin

7. Remove and save the four screws attaching the hinge plate to the chassis.
8. Remove the hinge plate.

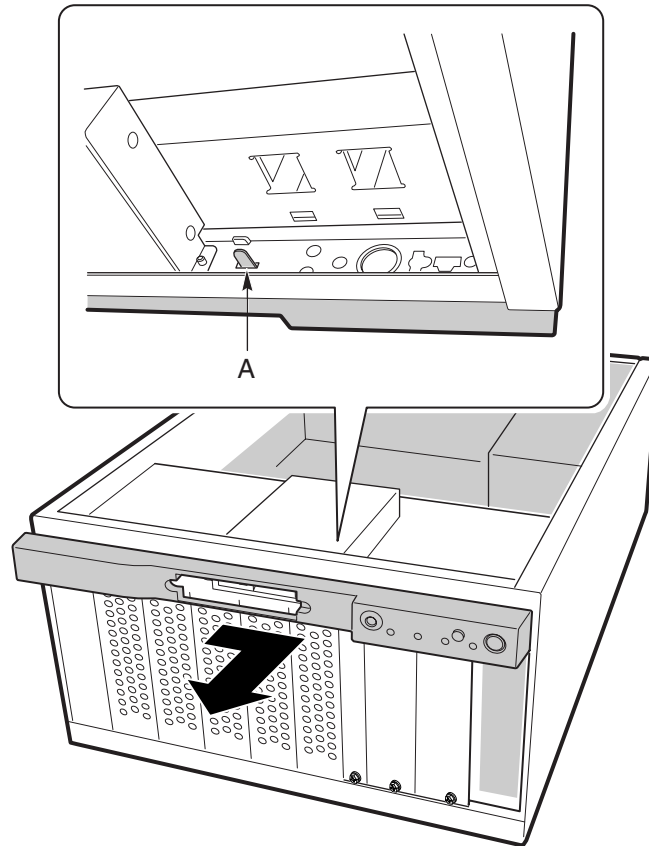


OM09380

Figure 6. Removing the Hinge Plate

Remove Bezel

1. Press the tab up (Figure 7, A).
2. Slide the bezel to the right.
3. Remove the bezel from the chassis.



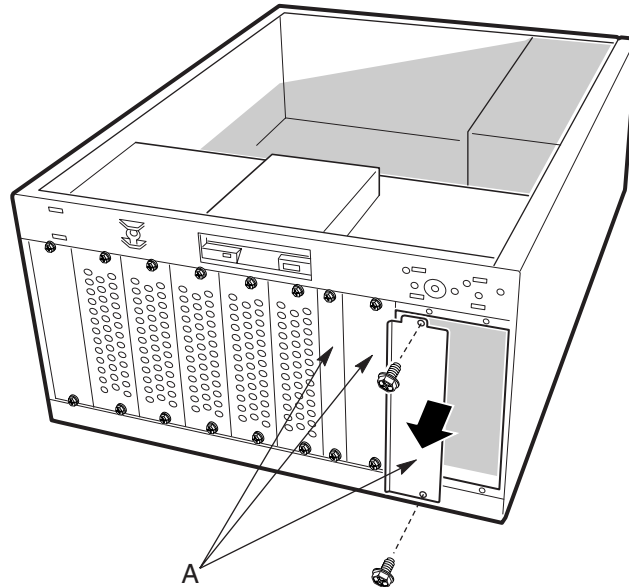
OM09382

Figure 7. Removing the Bezel

A. Tab

Remove EMI Covers

1. Remove and save the two screws that attach the EMI covers to the chassis.
2. Remove all of the EMI covers. There will be one thin cover and up to three wider covers. Do not remove any of the hard drive carriers.



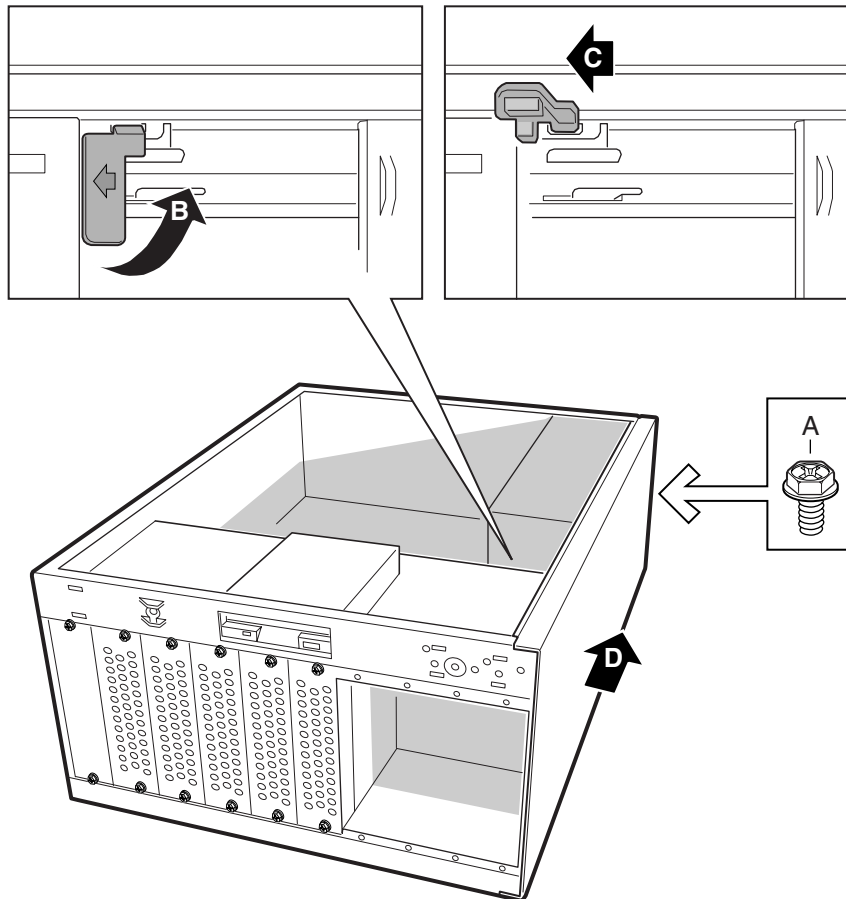
OM09376

Figure 8. Removing the EMI Covers

A. EMI covers

Remove Right Side Cover

1. Remove and save the screw at the rear of the chassis (Figure 9, A).
2. Pull up on the black clip (Figure 9, B).
3. Remove and save the black clip (Figure 9, C).
4. Slide the cover backwards and remove it (Figure 9, D).



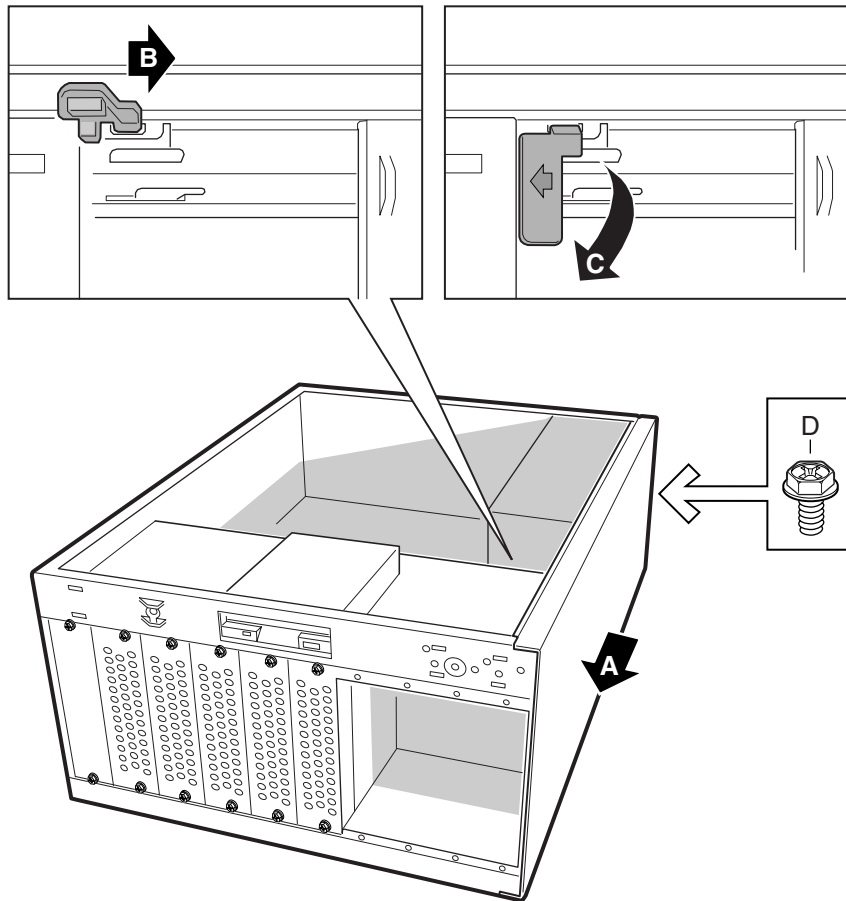
OM09390

Figure 9. Removing the Right Side Cover

- A. Screw
- B. Pull the clip up
- C. Remove the clip
- D. Slide the cover off

Install Right Side Cover

1. Slide the new cover into position (Figure 10, A).
2. Insert the black clip (Figure 10, B).
3. Press the clip down (Figure 10, C).
4. Insert and tighten the screw you removed earlier (Figure 10, D).



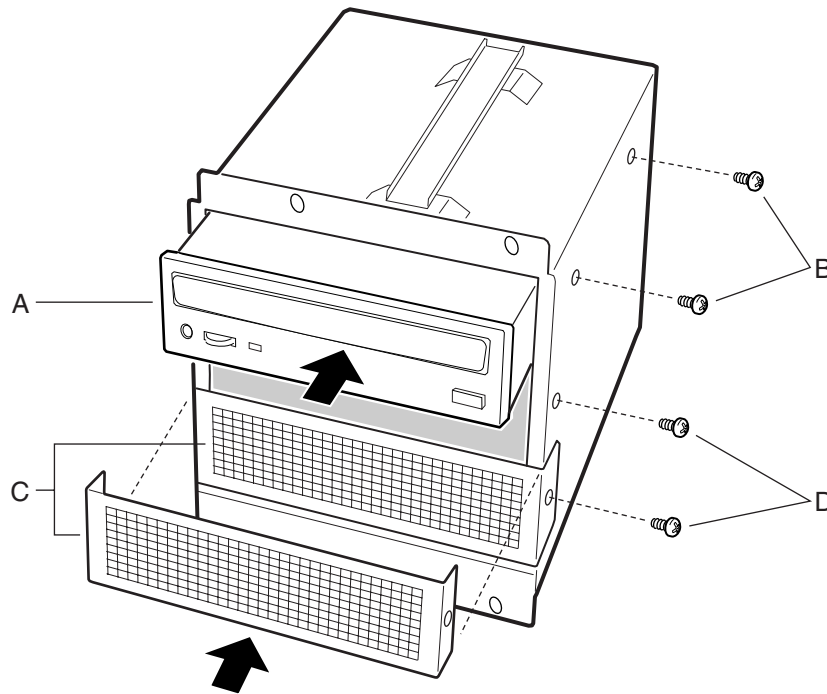
OM09391

Figure 10. Installing the Right Side Cover

- A. Slide the cover on
- B. Install the clip
- C. Push the clip down
- D. Screw

Install 5 1/4-Inch Devices into the Reorientation Bracket

1. Remove the two screws that hold the EMI shield in place.
2. Remove the EMI shield.
3. Slide the device into the bracket.
4. Insert and tighten the four screws removed when you removed the slide rails.



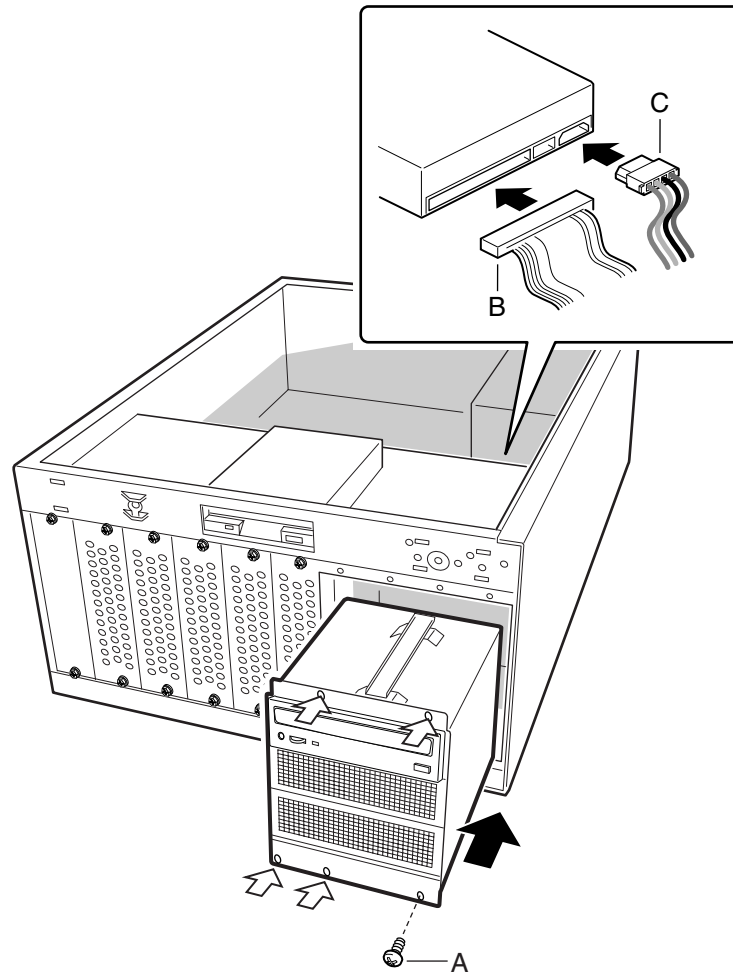
OM09392

Figure 11. Installing 5 1/4-Inch Devices

- A. 5 1/4-Inch device
- B. Screws that hold the device
- C. EMI shields
- D. Screws that hold the EMI shields

Install the 5 ¼-Inch Reorientation Bracket

1. Slide the bracket into the chassis.
2. Insert and tighten five screws.
3. Connect data and power cables to the devices.



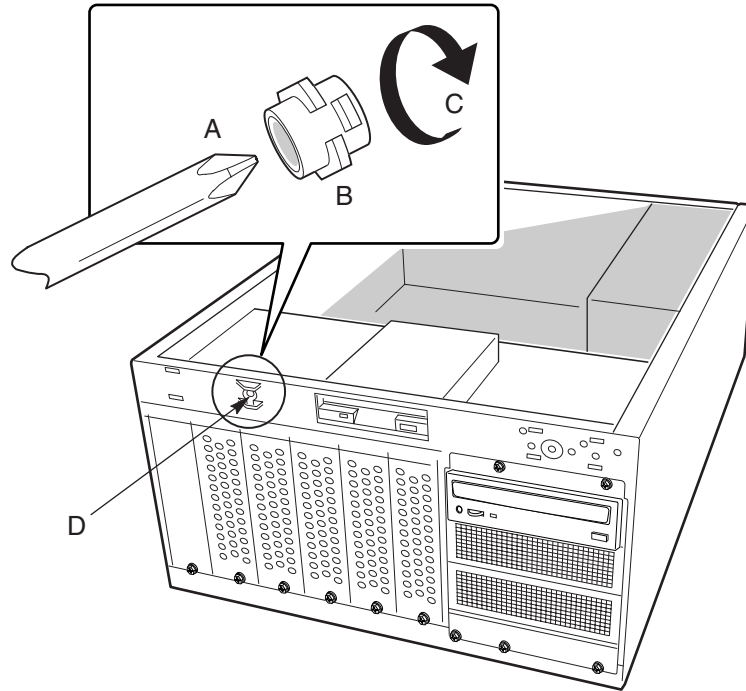
OM09393

Figure 12. Installing the 5 ¼-Inch Reorientation Bracket

- A. Screw
- B. Data cable
- C. Power cable

Install Bezel

1. Position the chassis intrusion switch lock.
2. Using a Philips screwdriver, rotate the switch lock ½ turn clockwise.

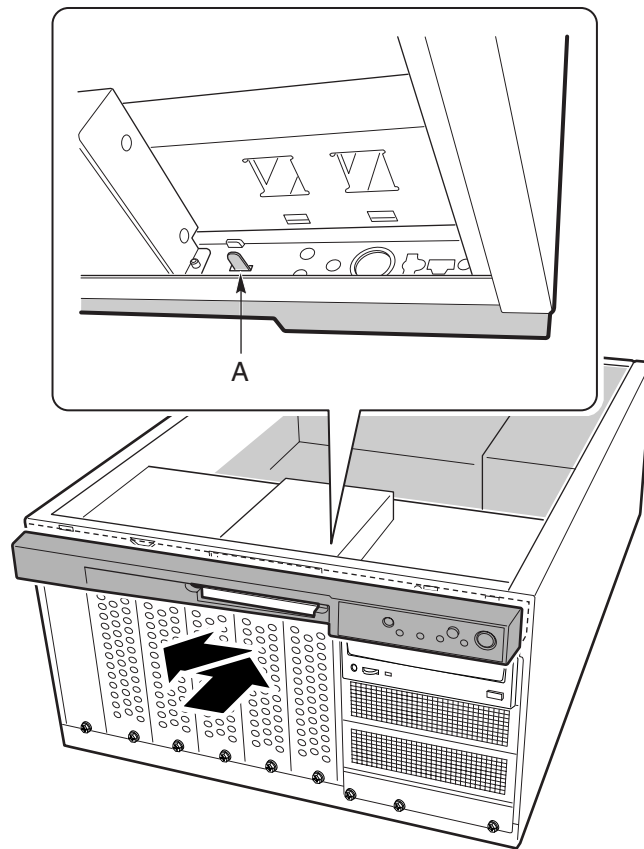


OM09385

Figure 13. Installing the Chassis Intrusion Lock

- A. Philips screwdriver
- B. Chassis intrusion switch lock
- C. Direction of rotation
- D. Chassis intrusion switch

3. Position the bezel. Make sure all of the plastic tabs are aligned with their holes.
4. Slide it to the left.



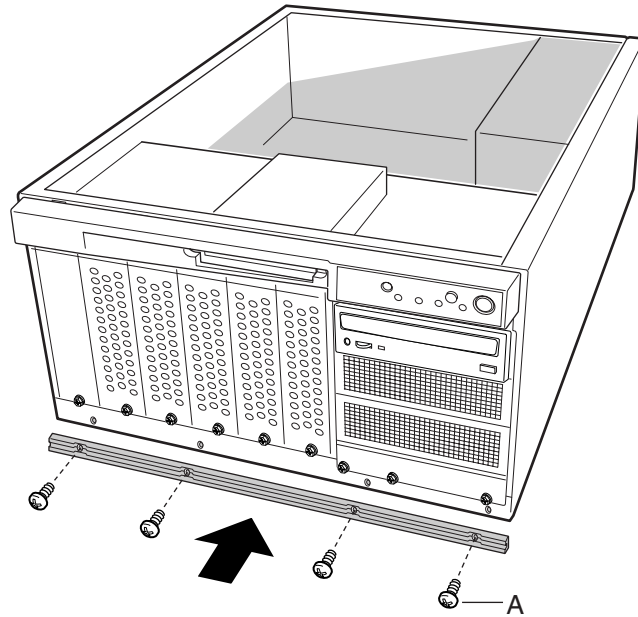
OM09384

Figure 14. Installing the Bezel

A. Tab

Install Screw Plate

1. Position the Screw Plate.
2. Insert and tighten the four screws you removed when you removed the door hinge plate.



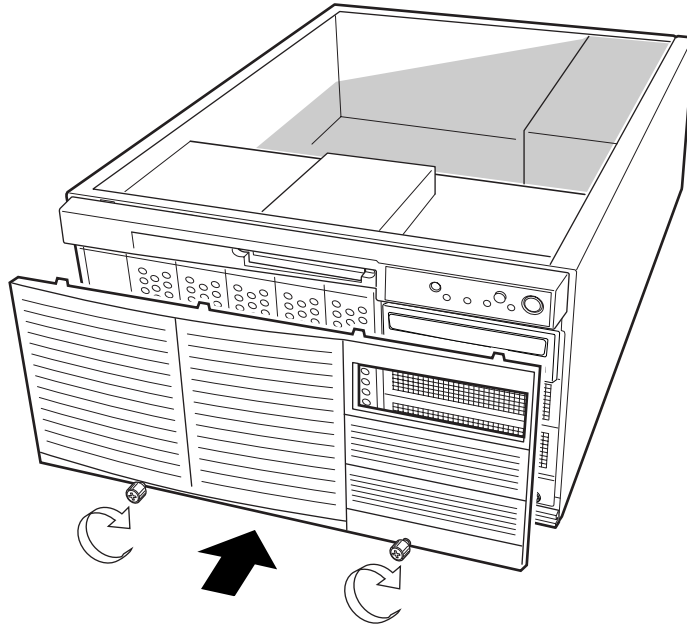
OM09394

Figure 15. Installing the Screw Plate

A. Screw

Install Front Cover

1. For each 5 ¼-inch peripheral, remove the corresponding plastic cover.
2. If you have a hot swap bay installed, remove that plastic cover.
3. Position the bezel by sliding the tabs on the top under the bezel.
4. Tighten the thumbscrews.

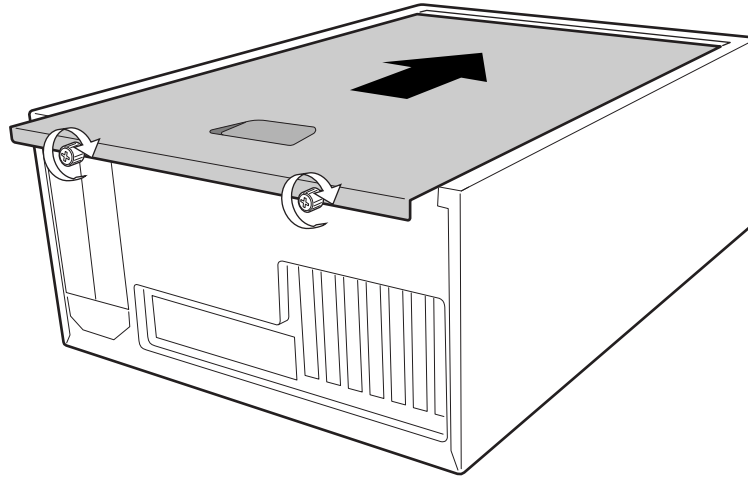


OM09395

Figure 16. Installing the Front Cover

Install Top Cover

1. Place the cover so the tabs go into the slots on the server. The cover should be flush against the chassis.
2. Slid the cover forward until it stops.
3. Tighten the two captive screws into the rear of the chassis.

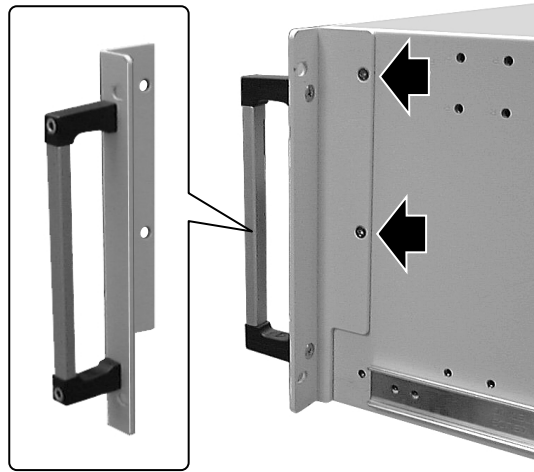


OM09170

Figure 17. Installing the Top Cover

Install Rails

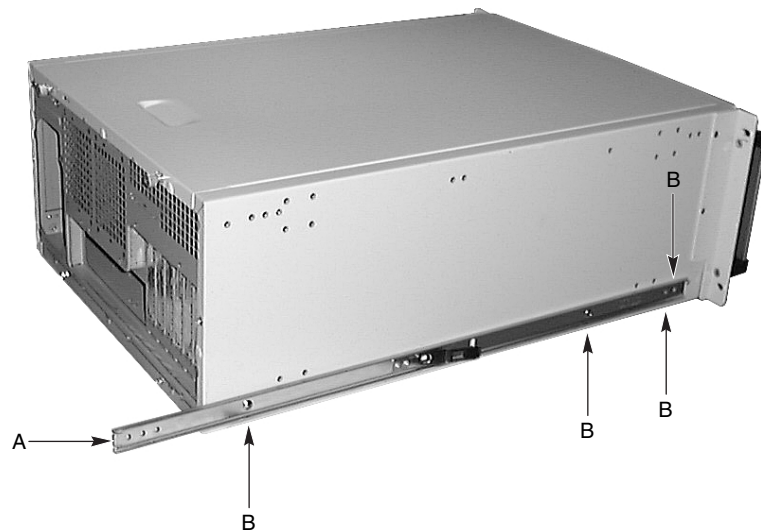
1. Using two screws for each handle, attach the handles to the chassis.



OM09375

Figure 18. Installing the Handles

2. Fully extend the rails.
3. Remove the smallest rail.
4. Position the rail
5. Insert and tighten four screws.



OM09377

Figure 19. Attaching the Rail to the Chassis

- A. Rail
- B. Screw locations

6. Install the rest of the rail in your rack.



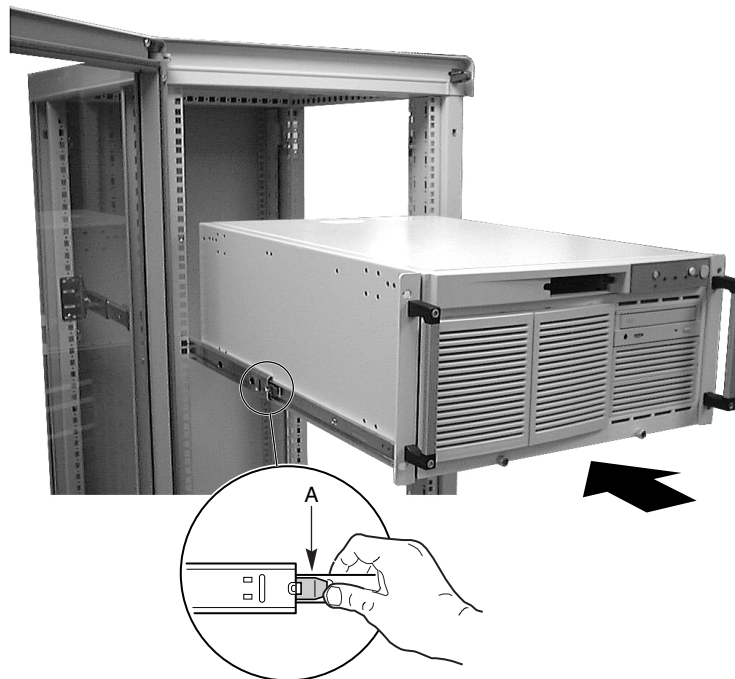
OM09388

Figure 20. Rails Installed in a Rack

 **NOTE**

Your rack may vary from the illustration. Refer to your rack documentation for information specific to your rack

7. Hold the chassis so the rails on the chassis engage the rails in your rack. You will need someone to help you at this point.
8. Disengage the locking tab on each rail and slide the server into the rack.



OM09374

Figure 21. Installing the Server into a Rack

SC5000 机架组 安装指南

免责声明

Intel 公司 (Intel) 对本资料不做任何形式的保证，包括（但不限于）针对特殊目的之商用性及适用性的隐含保证。Intel 对本资料中可能出现的任何错误不承担任何责任。Intel 也不保证更新本资料的信息或在本资料中提供最新信息。未经 Intel 的事先书面许可，不得以任何形式或手段拷贝或复制本资料的任何部分。

只要遵照相关文档来使用 Intel® 产品，该产品就能在“2000 年正常运行”（Year 2000 Capable），而且只要跟该产品配合使用的所有其它技术均能够正确地与它交换日期数据。一旦安装后，该产品就能够在廿世纪和廿一世纪之间正确地存储、显示、处理、提供以及（或）接收日期数据。

† 第三方品牌与商标是其各自拥有者的财产。

Copyright © 2000, Intel Corporation.保留所有权利。

目录

安全准则

| | |
|----------------|---|
| 服务器注意事项 | 5 |
| 设备机架注意事项 | 6 |

机架安装步骤

| | |
|-------------------------|----|
| 工具包内容 | 9 |
| 拆除脚座 | 10 |
| 拆除顶盖 | 11 |
| 拆除 5 ¼ 英寸设备 | 12 |
| 拆除前盖 | 14 |
| 拆除挡条 | 16 |
| 拆除 EMI 挡板 | 17 |
| 拆除右侧盖 | 18 |
| 安装右侧盖 | 19 |
| 将 5 ¼ 英寸设备装入再定位支架 | 20 |
| 安装 5 ¼ 英寸再定位支架 | 21 |
| 安装挡条 | 22 |
| 安装板牙 | 24 |
| 安装前盖 | 25 |
| 安装顶盖 | 26 |
| 安装导轨 | 27 |

图

| | |
|----------------------------|----|
| 图 1. 拆除脚座 | 10 |
| 图 2. 拆除箱盖 | 11 |
| 图 3. 拆除 5 ¼ 英寸设备 | 12 |
| 图 4. 拆除滑轨 | 13 |
| 图 5. 拆除铰链销 | 14 |
| 图 6. 拆除铰板 | 15 |
| 图 7. 拆除挡条 | 16 |
| 图 8. 拆除 EMI 挡板 | 17 |
| 图 9. 拆除右侧盖 | 18 |
| 图 10. 安装右侧盖 | 19 |
| 图 11. 安装 5 ¼ 英寸设备 | 20 |
| 图 12. 安装 5 ¼ 英寸再定位支架 | 21 |
| 图 13. 安装开启机箱锁 | 22 |
| 图 14. 安装挡条 | 23 |
| 图 15. 安装板牙 | 24 |
| 图 16. 安装前盖 | 25 |
| 图 17. 安装顶盖 | 26 |
| 图 18. 安装把手 | 27 |
| 图 19. 将导轨固定到机箱 | 27 |
| 图 20. 装入机架的导轨 | 28 |
| 图 21. 将服务器装入机架 | 28 |

安全准则

拆卸服务器箱盖之前，遵守以下安全准则：

- 只有合格的技术人员才可组装服务器。
- 关闭所有与服务器相连的外围设备。
- 使用服务器前面板上的开 / 关电源按钮关闭服务器，然后从电源系统或墙壁插座拔下交流电源线。
- 断开连接到服务器背面 I/O 面板的所有外围设备电缆并作标记。
- 拆装元件时，请戴上防静电腕带（连接到服务器机箱接地装置 — 任何没有涂漆的金属表面）以提供静电释放 (ESD) 保护。

服务器注意事项



警告

服务器电源开 / 关：服务器前面板上的开 / 关电源按钮不能关闭交流电源。要切断服务器的交流电源，必须将交流电源线从电源系统或墙壁插座上拔下。

电源系统的危险情况：电源系统外壳内存在危险的电压、电流以及电能。其中没有用户可以维修的部件，仅应该由合格的技术人员进行维修。

设备及电缆的危险情况：电源、电话及通信电缆上均可能出现危险的带电情况。打开服务器箱盖之前，请关闭服务器电源并断开与其相连的电信系统、网络、调制解调器以及电源线。否则，可能会导致人身伤害或设备损坏。

避免受伤的措施：为避免在拆开服务器包装时受伤，只可使用机械辅助设备将服务器吊离装运货盘。服务器配置的最小重量为 **38 公斤（85 磅）**；最大重量为 **45 公斤（100 磅）**。

不要试图握住电源系统上的把手抬起或移动服务器。

只能使用小型压延机或其他机械辅助设备来移动服务器。

注意

静电释放 (ESD) 和 ESD 保护：ESD 可损坏磁盘驱动器、附加板卡及其它元件。

当热插拔 SCSI 硬盘驱动器时，服务器可以经受正常级别的环境 ESD。然而我们推荐只能在防 ESD 的工作站上执行本手册中的所有步骤。如果没有这样的工作站，则在拆装元件时戴上防静电腕带（连接到服务器机箱接地部位—任何没有涂漆的金属表面）以提供 ESD 保护。

拆装板卡和模块：板卡和模块对 ESD 极为敏感，拆装时应始终小心。在将板卡或模块从保护性包装或服务器中取出之后，将元件面朝上放在一个不导电的无静电表面上。如果主板放在一个导电的表面上，可能导致电池接头短路。如果发生这种情况，将造成 CMOS 数据丢失且耗尽电池电量。不要在任何表面上滑动板卡或模块。

服务器冷却和通风：在卸下箱盖时运行服务器可能损坏服务器元件。为了达到适当的冷却和通风，请始终在打开服务器电源之前装回箱盖。

设备机架注意事项


警告

固定设备机架：设备机架必须固定在不可移动的支架上，以防止在伸出机架的滑动部件上摆放一台或多台服务器时使机架翻倒。支架必须能支撑最大 **113 公斤（250 磅）** 的重量。您还必须考虑到机架中所安装其它设备的重量。

主交流电源断路：您负责为整个机架设置交流电源断路。主断路一定要便于接触到，并且必须标注为控制整个装置的电源，而不仅仅是服务器电源。

使机架接地：若要避免遭到电击的危险，您必须在机架上加一根第三线保险接地导线。如果服务器电源线插在机架的交流电插座中，那么您必须为机架本身提供适当的接地。如果服务器电源线插在墙壁的交流电源插座中，每根电源线中的保险接地导线只为服务器提供适当的接地。您必须为机架和安装在机架中的其它设备提供附加的适当接地。

过流保护：服务器设计用于支持高达 **20 安培**过流保护的交流电压电源。如果设备机架的电源系统安装在超过 **20 安培**保护的支路上，则必须为服务器提供附加的保护。如果机架中安装多台服务器，则每台服务器的电源必须来自单独的支路。配置了 **350 瓦 1+1 电源系统**的服务器之总电流额定值低于 **12 安培**。

 **注意**

温度：服务器安装到设备机架中后，其操作温度不能低于 **5 °C (41 °F)** 或高于 **35 °C (95 °F)**。温度大幅波动会引发多种服务器问题。

通风：设备机架必须为服务器前部提供足够的气流以保持适当冷却。设备机架还必须提供足够的通风以排尽服务器每小时多达 **2000 Btu** 的热量。所选机架和提供的通风必须适合服务器的使用环境。

机架安装步骤

本手册描述如何将 SC5000 机箱从底座配置转换为机架配置，并为《Intel® SC5000 服务器机箱配件产品指南》(744708-003) 的补充。

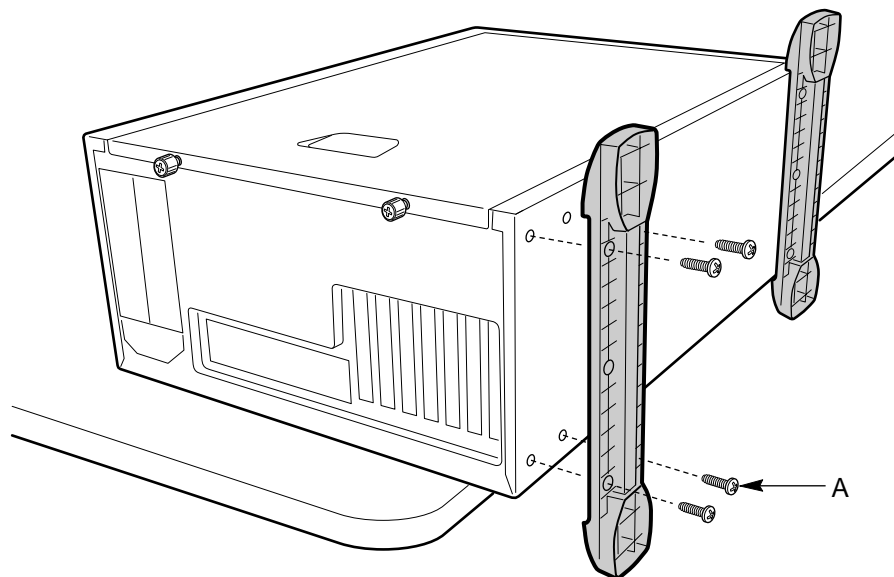
在下列步骤中，机箱的方向（上、下、左、右）是指当您面对机箱正面时，机架中的机箱方向。请遵守本手册开始所述的安全与 ESD 注意事项。

工具包内容

- 有机架安装孔的侧盖
- 机架挡条配件
- 安装零件袋
- 本手册
- 导轨工具包
- 机架支架和把手
- 5 ¼ 英寸驱动器仓再定位支架

拆除脚座

1. 将机箱放在一个工作台上，使脚座悬于台面之外。
2. 卸下将后脚座固定在机箱上的四个螺丝（图 1 中的 A）并拆下脚座。
3. 卸下将前脚座固定在机箱上的四个螺丝并拆下脚座。



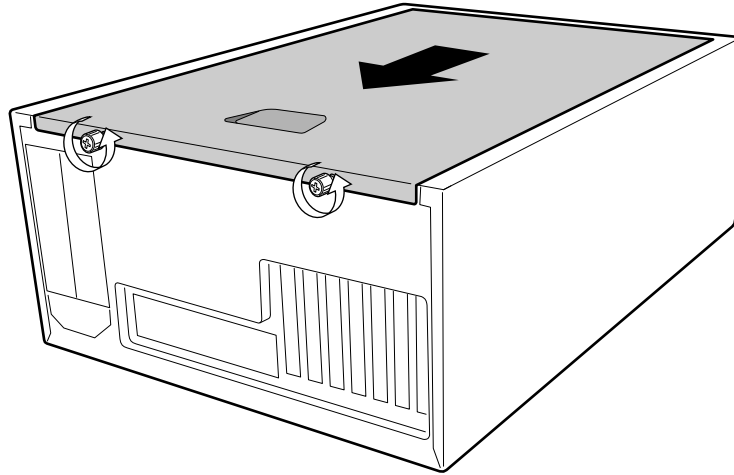
OM09378

图 1. 拆除脚座

A. 螺丝

拆除顶盖

1. 松开将顶盖固定到机箱上的两个指拧螺丝。
2. 向后滑动箱盖一小段距离，直到箱盖被挡住。
3. 向外拉整个箱盖，与机箱脱离，使箱盖两端的小突出部位与机箱顶部和底部边缘的槽口脱离。将箱盖放在旁边。

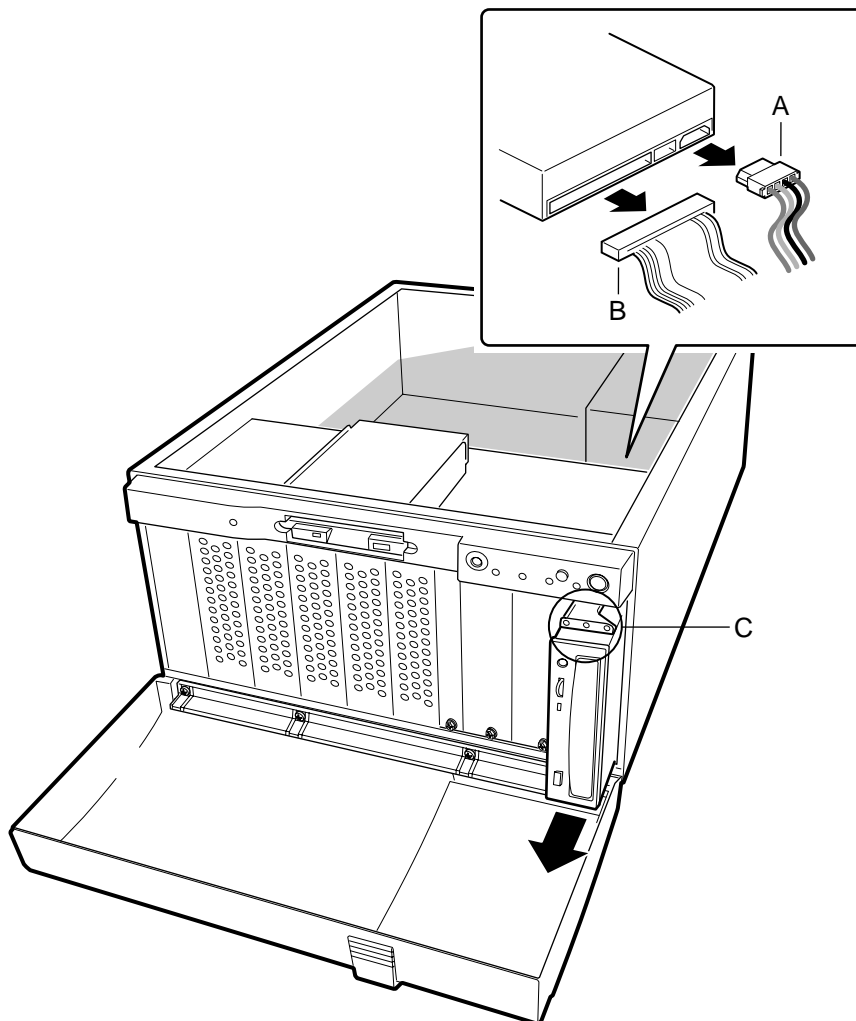


OM09379

图 2. 拆除箱盖

拆除 5 ¼ 英寸设备

1. 断开设备的数据线和电源线。
2. 拆除将滑轨固定到机箱的两个螺丝并保存好它们。

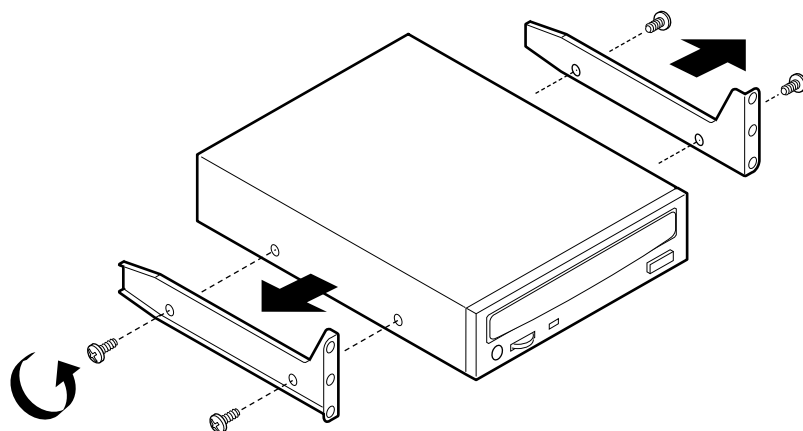


OM09381

图 3. 拆除 5 ¼ 英寸设备

- A. 电源线
- B. 数据线
- C. 滑轨

3. 拆除将滑轨固定到设备的两个螺丝并保存好它们。

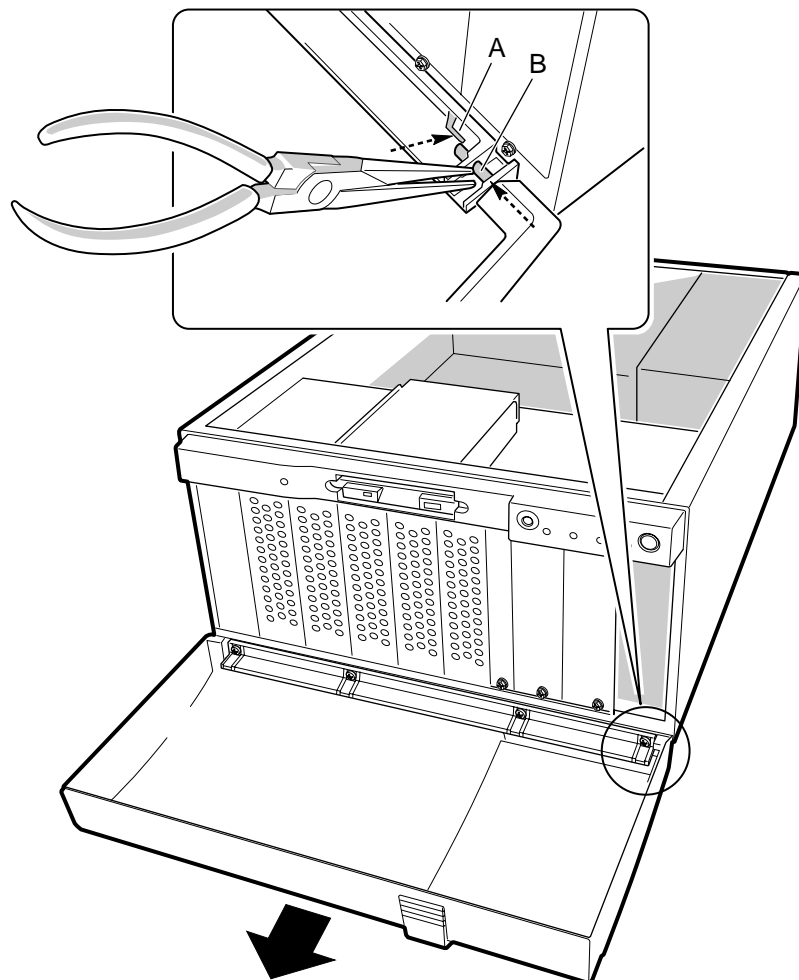


OM09383

图 4. 拆除滑轨

拆除前盖

1. 移动机箱使前盖悬于工作台之外。
2. 打开前盖。
3. 将塑料夹（图 5 中的 A）按入机箱。
4. 用一只手拔出铰链销（图 5 中的 B），同时用另一只手托住前盖。
5. 将前盖向左滑动，使之脱离另一个铰链销。
6. 拆除铰链销并保存好以备将来使用。

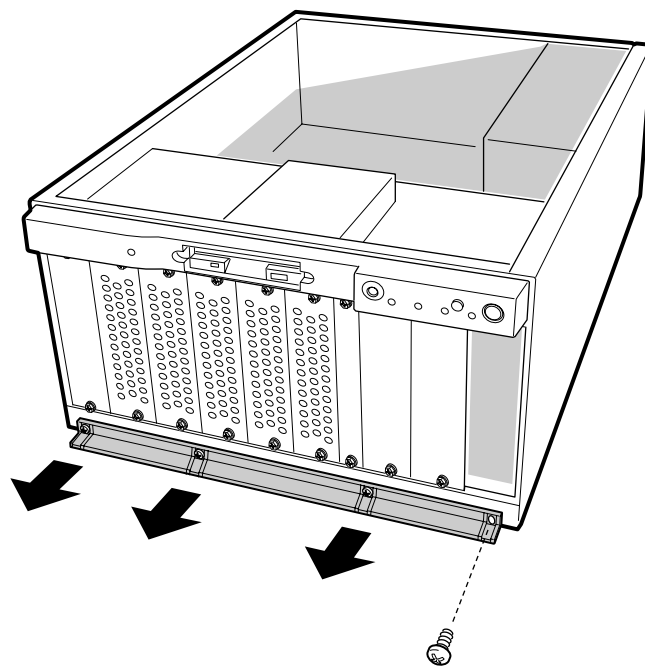


OM09389

图 5. 拆除铰链销

- A. 塑料夹
- B. 铰链销

7. 拆除将铰板固定到机箱的四个螺丝并保存好它们。
8. 拆除铰板。

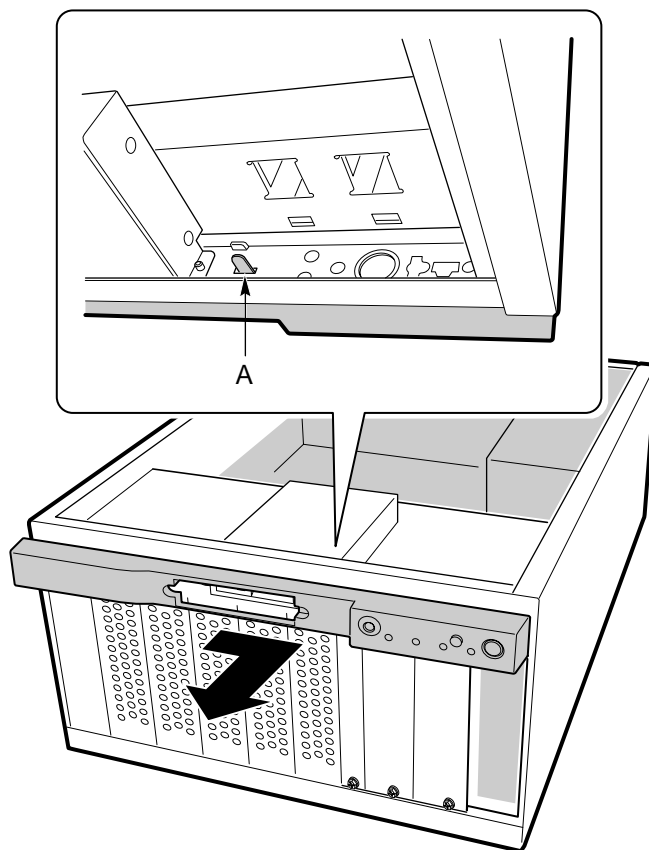


OM09380

图 6. 拆除铰板

拆除挡条

1. 向上按小突出部位（图 7 中的 A）。
2. 将挡条向右滑动。
3. 从机箱取下挡条。



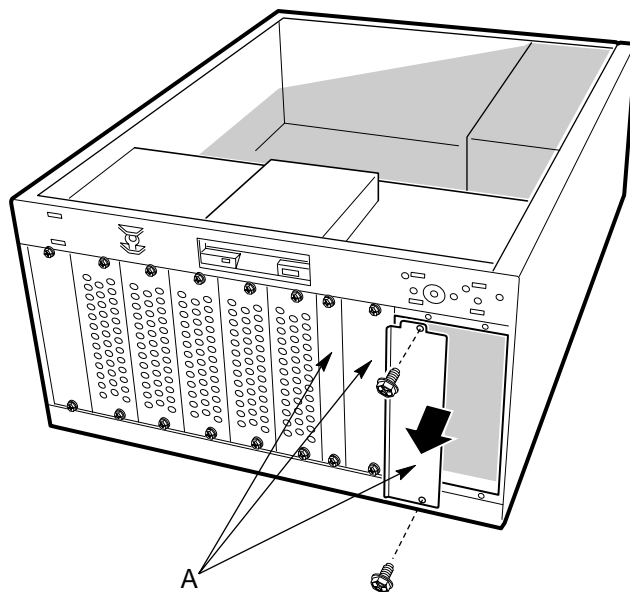
OM09382

图 7. 拆除挡条

A. 小突出部位

拆除 EMI 挡板

1. 拆除将 EMI 挡板固定到机箱的两个螺丝，保存好它们。
2. 拆下所有的 EMI 挡板。其中包含一块窄挡板和最多三块较宽的挡板。不要拆除任何硬盘驱动器支架。



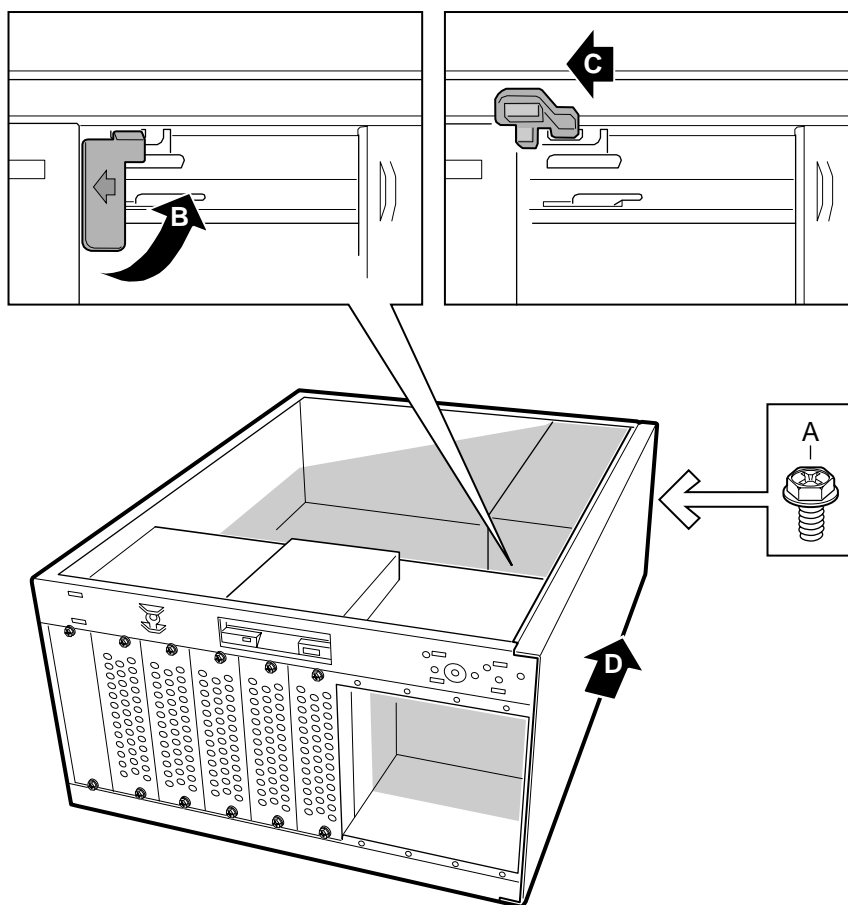
OM09376

图 8. 拆除 EMI 挡板

A. EMI 挡板

拆除右侧盖

1. 拆除机箱背后的螺丝（图 9 中的 A）并保存好它。
2. 向上拉起黑色夹子（图 9 中的 B）。
3. 拆下黑色夹子（图 9 中的 C）并保存好它。
4. 将侧盖向后滑动并取下它（图 9 中的 D）。



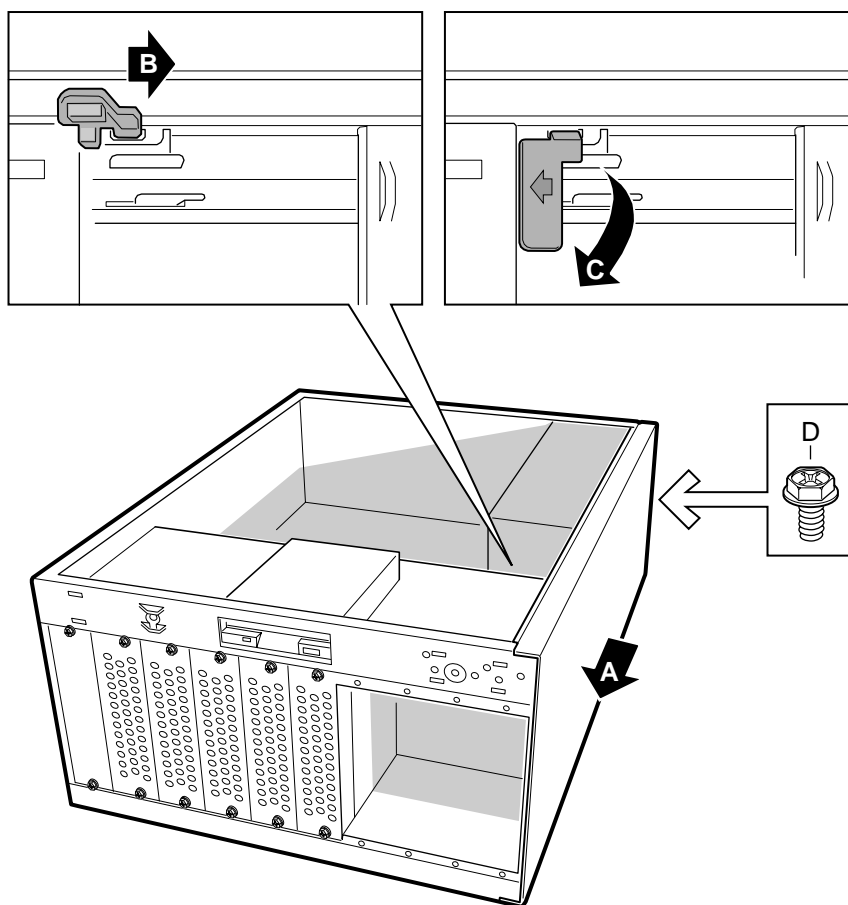
OM09390

图 9. 拆除右侧盖

- A. 螺丝
- B. 向上拉起夹子
- C. 取下夹子
- D. 将侧盖滑出

安装右侧盖

1. 将新的侧盖滑入到位（图 10 中的 A）。
2. 插入黑色夹子（图 10 中的 B）。
3. 按下夹子（图 10 中的 C）。
4. 插入并拧紧先前拆除的螺丝（图 10 中的 D）。



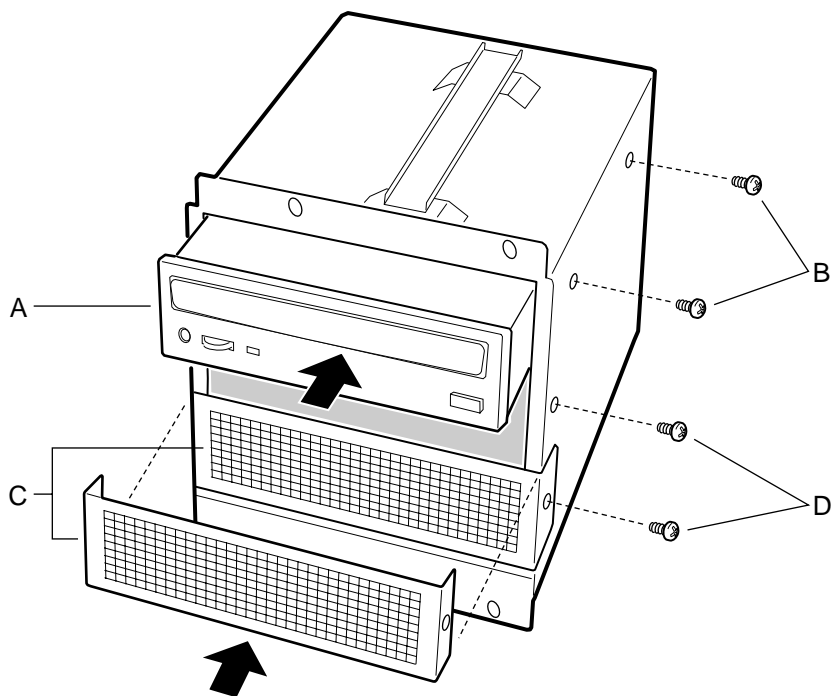
OM09391

图 10. 安装右侧盖

- A. 将侧盖滑入
- B. 安装夹子
- C. 按下夹子
- D. 螺丝

将 5 ¼ 英寸设备装入再定位支架

1. 拆除固定 EMI 防护板的两个螺丝。
2. 卸下 EMI 防护板。
3. 将设备滑入支架。
4. 插入并拧紧拆除滑轨时卸下的四个螺丝。



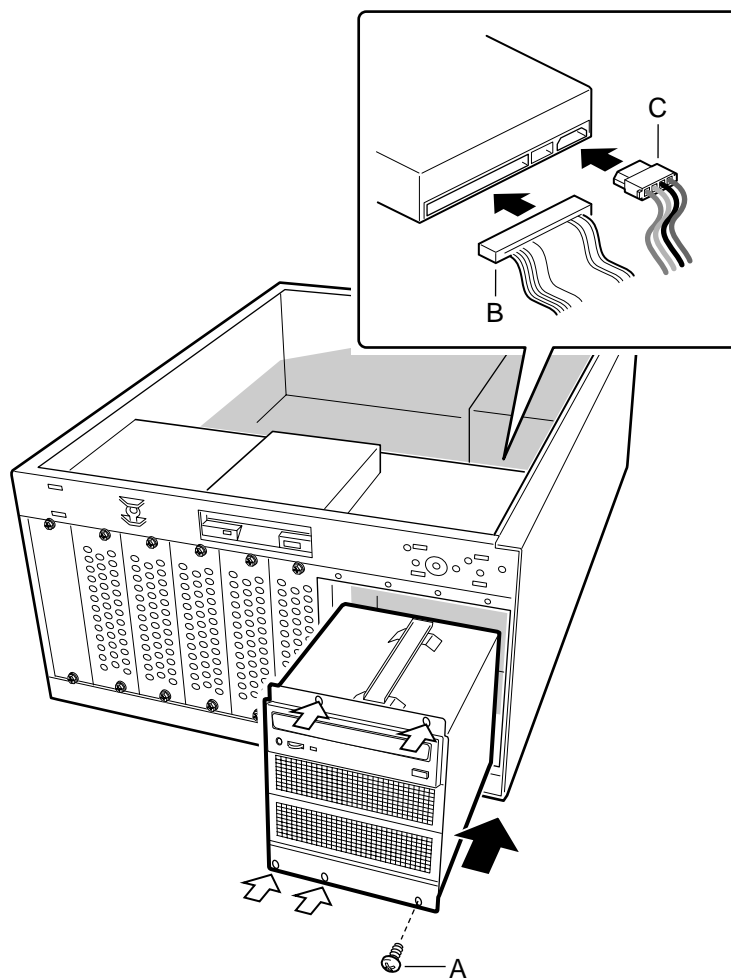
OM09392

图 11. 安装 5 ¼ 英寸设备

- A. 5 ¼ 英寸设备
- B. 用于固定设备的螺丝
- C. EMI 防护板
- D. 用于固定 EMI 防护板的螺丝

安装 5 ¼ 英寸再定位支架

1. 将支架轻轻推入机箱中。
2. 插入并拧紧五个螺丝。
3. 将电源线和数据线连接到设备。



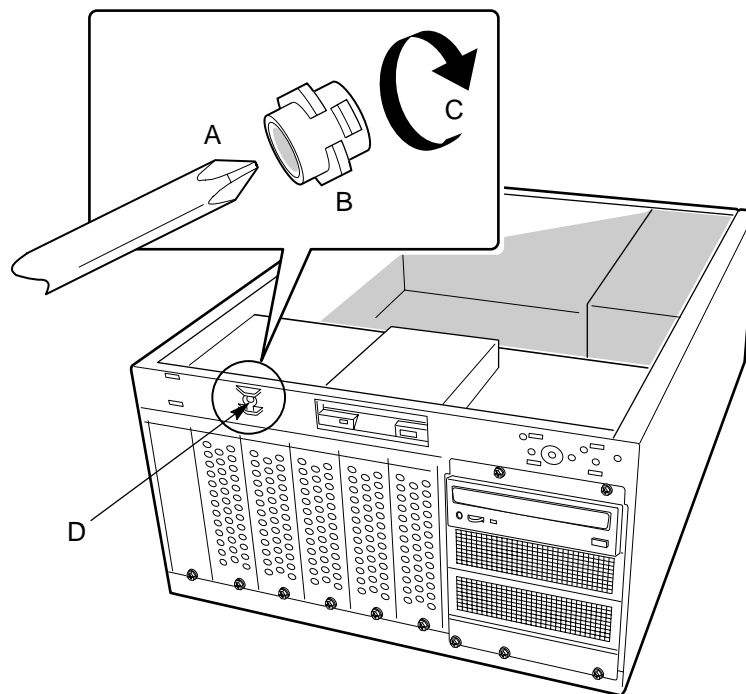
OM09393

图 12. 安装 5 ¼ 英寸再定位支架

- A. 螺丝
- B. 数据线
- C. 电源线

安装挡条

1. 固定开启机箱开关锁的位置。
2. 用十字螺丝刀将锁顺时针旋转半圈。

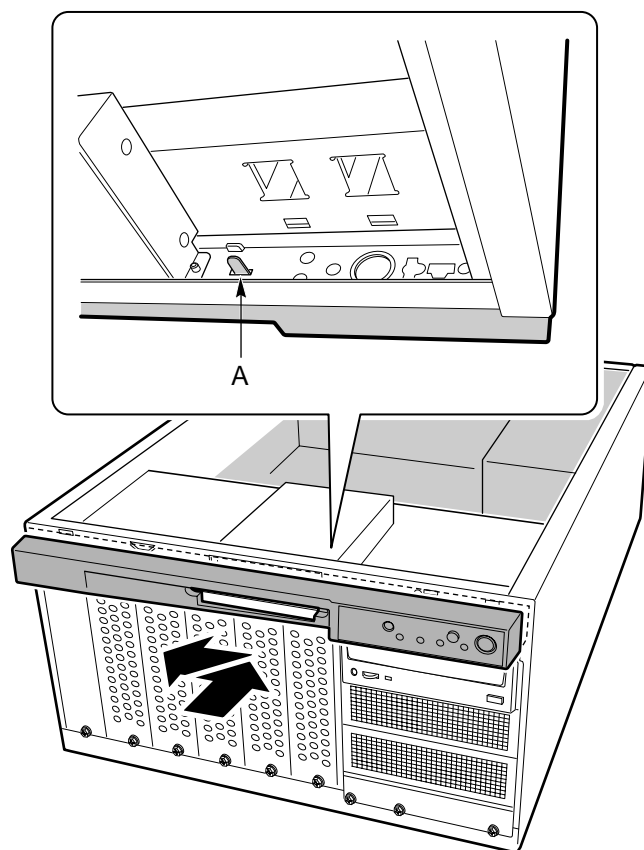


OM09385

图 13. 安装开启机箱锁

- A. 十字螺丝刀
- B. 开启机箱开关锁
- C. 旋转方向
- D. 开启机箱开关

3. 固定挡条的位置。确保所有塑料小突出部位与孔对准。
4. 将它向左滑动。



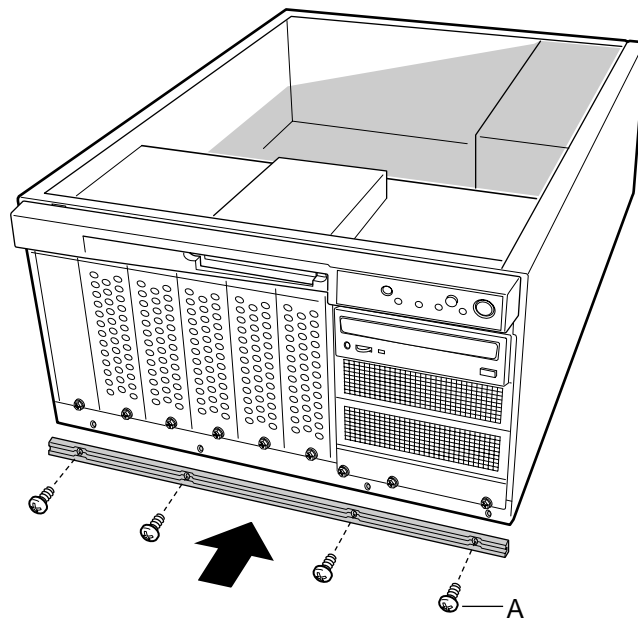
OM09384

图 14. 安装挡条

A. 小突出部位

安装板牙

1. 固定板牙的位置。
2. 插入并拧紧拆除前盖铰板时所卸下的四个螺丝。



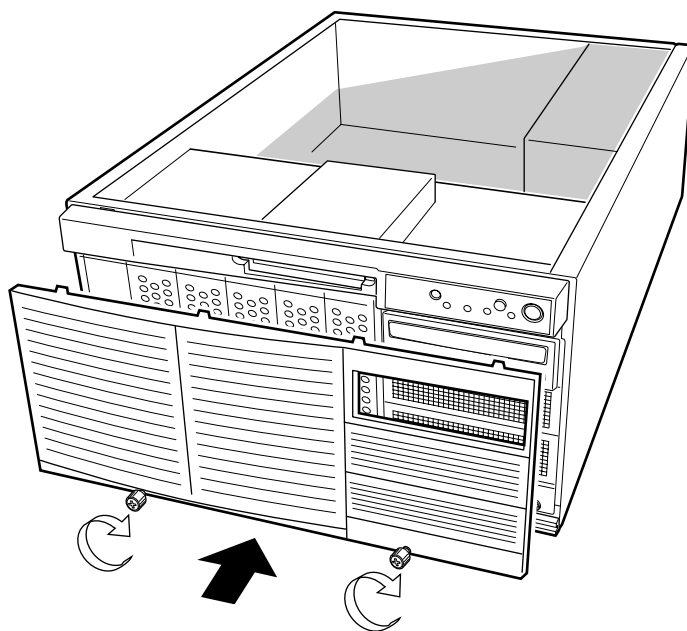
OM09394

图 15. 安装板牙

A. 螺丝

安装前盖

1. 拆除与每个 5 ¼ 英寸外围设备相应的塑料盖。
2. 如果已安装热插拔仓，则拆除其塑料盖。
3. 利用滑动前盖下方最上面的小突出部位来固定前盖的位置。
4. 拧紧指拧螺丝。

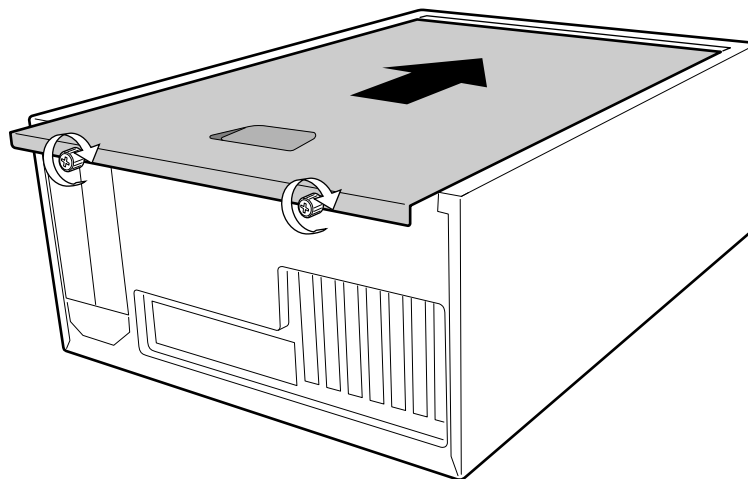


OM09395

图 16. 安装前盖

安装顶盖

1. 装上箱盖使小突出部位嵌入服务器的插槽中。箱盖应该与机箱平齐。
2. 向前滑动箱盖直到尽头。
3. 将两个紧固螺丝拧紧到机箱背后。

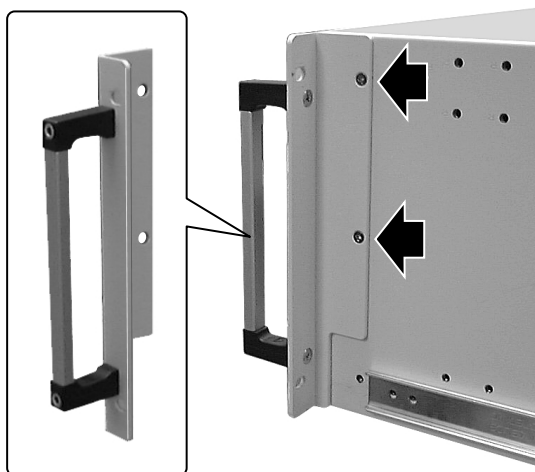


OM09170

图 17. 安装顶盖

安装导轨

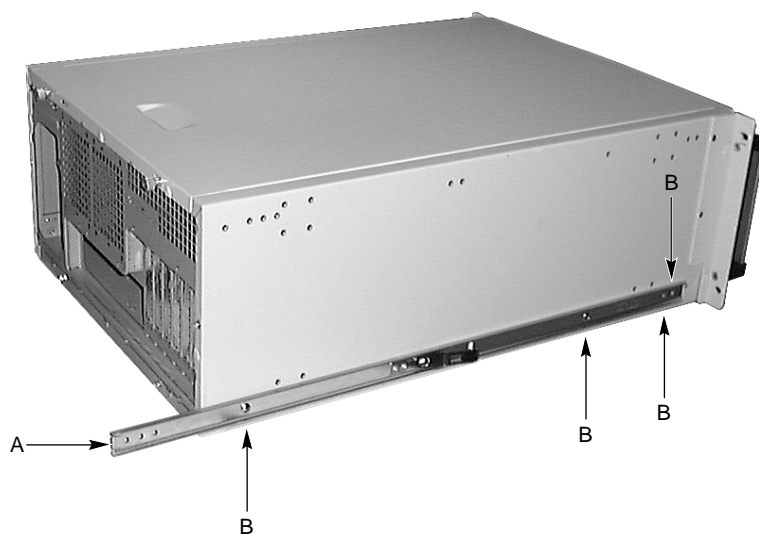
1. 每个把手用两个螺丝固定在机箱上。



OM09375

图 18. 安装把手

2. 将所有导轨平直摆放。
3. 取出最小的导轨。
4. 固定导轨的位置。
5. 插入并拧紧四个螺丝。



OM09377

图 19. 将导轨固定到机箱

- A. 导轨
- B. 螺丝位置

6. 将其余导轨装入机架。



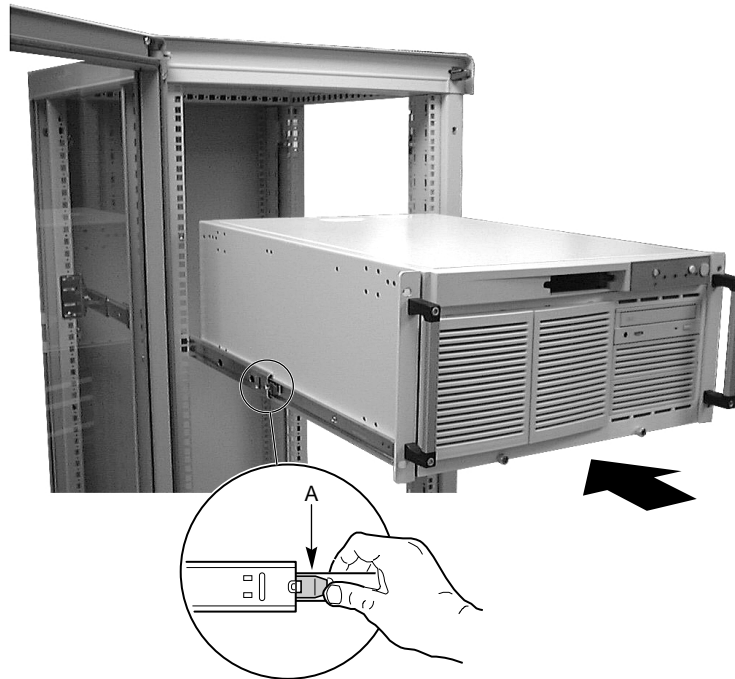
OM09388

图 20. 装入机架的导轨

⇒ 注释

您的机架可能与图示不同。请参考您的机架文档以获得特定的信息。

7. 抬起机箱，使机箱中的导轨与机架中的导轨接合。此时您需要另一个人的帮助。
8. 拆除每条导轨上的锁定小突出部位，然后将服务器滑入机架。



OM09374

图 21. 将服务器装入机架

Free Manuals Download Website

<http://myh66.com>

<http://usermanuals.us>

<http://www.somanuals.com>

<http://www.4manuals.cc>

<http://www.manual-lib.com>

<http://www.404manual.com>

<http://www.luxmanual.com>

<http://aubethermostatmanual.com>

Golf course search by state

<http://golfingnear.com>

Email search by domain

<http://emailbydomain.com>

Auto manuals search

<http://auto.somanuals.com>

TV manuals search

<http://tv.somanuals.com>