



Intel® PXA255 Processor

Developer's Manual

January, 2004

Order Number: **278693-002**



INFORMATION IN THIS DOCUMENT IS PROVIDED IN CONNECTION WITH INTEL® PRODUCTS. NO LICENSE, EXPRESS OR IMPLIED, BY ESTOPPEL OR OTHERWISE, TO ANY INTELLECTUAL PROPERTY RIGHTS IS GRANTED BY THIS DOCUMENT. EXCEPT AS PROVIDED IN INTEL'S TERMS AND CONDITIONS OF SALE FOR SUCH PRODUCTS, INTEL ASSUMES NO LIABILITY WHATSOEVER, AND INTEL DISCLAIMS ANY EXPRESS OR IMPLIED WARRANTY, RELATING TO SALE AND/OR USE OF INTEL PRODUCTS INCLUDING LIABILITY OR WARRANTIES RELATING TO FITNESS FOR A PARTICULAR PURPOSE, MERCHANTABILITY, OR INFRINGEMENT OF ANY PATENT, COPYRIGHT OR OTHER INTELLECTUAL PROPERTY RIGHT. Intel products are not intended for use in medical, life saving, or life sustaining applications.

Intel may make changes to specifications and product descriptions at any time, without notice.

Designers must not rely on the absence or characteristics of any features or instructions marked "reserved" or "undefined." Intel reserves these for future definition and shall have no responsibility whatsoever for conflicts or incompatibilities arising from future changes to them.

The Intel® PXA255 Processor may contain design defects or errors known as errata which may cause the product to deviate from published specifications. Current characterized errata are available on request.

MPEG is an international standard for video compression/decompression promoted by ISO. Implementations of MPEG CODECs, or MPEG enabled platforms may require licenses from various entities, including Intel Corporation.

This document and the software described in it are furnished under license and may only be used or copied in accordance with the terms of the license. The information in this document is furnished for informational use only, is subject to change without notice, and should not be construed as a commitment by Intel Corporation. Intel Corporation assumes no responsibility or liability for any errors or inaccuracies that may appear in this document or any software that may be provided in association with this document. Except as permitted by such license, no part of this document may be reproduced, stored in a retrieval system, or transmitted in any form or by any means without the express written consent of Intel Corporation.

Contact your local Intel sales office or your distributor to obtain the latest specifications and before placing your product order.

Copies of documents which have an ordering number and are referenced in this document, or other Intel literature may be obtained by calling 1-800-548-4725 or by visiting Intel's website at <http://www.intel.com>.

Copyright © Intel Corporation, 2004

AlertVIEW, i960, AnyPoint, AppChoice, BoardWatch, BunnyPeople, CablePort, Celeron, Chips, Commerce Cart, CT Connect, CT Media, Dialogic, DM3, EtherExpress, ETOX, FlashFile, GatherRound, i386, i486, iCat, iCOMP, Insight960, InstantIP, Intel, Intel logo, Intel386, Intel486, Intel740, IntelDX2, IntelDX4, IntelSX2, Intel ChatPad, Intel Create&Share, Intel Dot.Station, Intel GigaBlade, Intel InBusiness, Intel Inside, Intel Inside logo, Intel NetBurst, Intel NetStructure, Intel Play, Intel Play logo, Intel Pocket Concert, Intel SingleDriver, Intel SpeedStep, Intel StrataFlash, Intel TeamStation, Intel WebOutfitter, Intel Xeon, Intel XScale, Itanium, JobAnalyst, LANDesk, LanRover, MCS, MMX, MMX logo, NetPort, NetportExpress, Optimizer logo, OverDrive, Paragon, PC Dads, PC Parents, Pentium, Pentium II Xeon, Pentium III Xeon, Performance at Your Command, ProShare, RemoteExpress, Screamine, Shiva, SmartDie, Solutions960, Sound Mark, StorageExpress, The Computer Inside, The Journey Inside, This Way In, TokenExpress, Trillium, Vivonic, and VTune are trademarks or registered trademarks of Intel Corporation or its subsidiaries in the United States and other countries.

*Other names and brands may be claimed as the property of others.

Contents

- 1 Introduction 1-1
 - 1.1 Intel XScale® Microarchitecture Features..... 1-1
 - 1.2 System Integration Features..... 1-1
 - 1.2.1 Memory Controller 1-2
 - 1.2.2 Clocks and Power Controllers..... 1-2
 - 1.2.3 Universal Serial Bus (USB) Client..... 1-2
 - 1.2.4 DMA Controller (DMAC) 1-3
 - 1.2.5 LCD Controller 1-3
 - 1.2.6 AC97 Controller 1-3
 - 1.2.7 Inter-IC Sound (I2S) Controller 1-3
 - 1.2.8 Multimedia Card (MMC) Controller 1-3
 - 1.2.9 Fast Infrared (FIR) Communication Port..... 1-3
 - 1.2.10 Synchronous Serial Protocol Controller (SSPC)..... 1-4
 - 1.2.11 Inter-Integrated Circuit (I2C) Bus Interface Unit..... 1-4
 - 1.2.12 GPIO 1-4
 - 1.2.13 UARTs 1-4
 - 1.2.14 Real-Time Clock (RTC)..... 1-5
 - 1.2.15 OS Timers..... 1-5
 - 1.2.16 Pulse-Width Modulator (PWM) 1-5
 - 1.2.17 Interrupt Control..... 1-5
 - 1.2.18 Network Synchronous Serial Protocol Port..... 1-5
- 2 System Architecture 2-1
 - 2.1 Overview 2-1
 - 2.2 Intel XScale® Microarchitecture Implementation Options..... 2-2
 - 2.2.1 Coprocessor 7 Register 4 - PSFS Bit 2-2
 - 2.2.2 Coprocessor 14 Registers 0-3 - Performance Monitoring..... 2-3
 - 2.2.3 Coprocessor 14 Register 6 and 7- Clock and Power Management..... 2-3
 - 2.2.4 Coprocessor 15 Register 0 - ID Register Definition 2-3
 - 2.2.5 Coprocessor 15 Register 1 - P-Bit 2-4
 - 2.3 I/O Ordering 2-5
 - 2.4 Semaphores 2-5
 - 2.5 Interrupts..... 2-5
 - 2.6 Reset 2-6
 - 2.7 Internal Registers..... 2-7
 - 2.8 Selecting Peripherals vs. General Purpose I/O 2-7
 - 2.9 Power on Reset and Boot Operation 2-8
 - 2.10 Power Management..... 2-8
 - 2.11 Pin List 2-8
 - 2.12 Memory Map 2-18
 - 2.13 System Architecture Register Summary 2-21
- 3 Clocks and Power Manager 3-1
 - 3.1 Clock Manager Introduction 3-1
 - 3.2 Power Manager Introduction..... 3-2
 - 3.3 Clock Manager..... 3-2

3.3.1	32.768 kHz Oscillator.....	3-4
3.3.2	3.6864 MHz Oscillator	3-4
3.3.3	Core Phase Locked Loop	3-4
3.3.4	95.85 MHz Peripheral Phase Locked Loop	3-5
3.3.5	147.46 MHz Peripheral Phase Locked Loop	3-5
3.3.6	Clock Gating	3-6
3.4	Resets and Power Modes.....	3-6
3.4.1	Hardware Reset.....	3-6
3.4.2	Watchdog Reset	3-7
3.4.3	GPIO Reset	3-8
3.4.4	Run Mode	3-9
3.4.5	Turbo Mode	3-9
3.4.6	Idle Mode	3-10
3.4.7	Frequency Change Sequence	3-11
3.4.8	33-MHz Idle Mode	3-13
3.4.9	Sleep Mode.....	3-15
3.4.10	Power Mode Summary	3-20
3.5	Power Manager Registers	3-22
3.5.1	Power Manager Control Register (PMCR)	3-23
3.5.2	Power Manager General Configuration Register (PCFR).....	3-24
3.5.3	Power Manager Wake-Up Enable Register (PWER).....	3-25
3.5.4	Power Manager Rising-Edge Detect Enable Register (PRER)	3-26
3.5.5	Power Manager Falling-Edge Detect Enable Register (PFER)	3-27
3.5.6	Power Manager GPIO Edge Detect Status Register (PEDR).....	3-28
3.5.7	Power Manager Sleep Status Register (PSSR)	3-29
3.5.8	Power Manager Scratch Pad Register (PSPR).....	3-30
3.5.9	Power Manager Fast Sleep Walk-up Configuration Register (PMFW).....	3-31
3.5.10	Power Manager GPIO Sleep State Registers (PGSR0, PGSR1, PGSR2).....	3-31
3.5.11	Reset Controller Status Register (RCSR).....	3-33
3.6	Clocks Manager Registers.....	3-34
3.6.1	Core Clock Configuration Register (CCCR)	3-34
3.6.2	Clock Enable Register (CKEN).....	3-36
3.6.3	Oscillator Configuration Register (OSCC)	3-38
3.7	Coprocessor 14: Clock and Power Management	3-38
3.7.1	Core Clock Configuration Register (CCLKCFG).....	3-39
3.7.2	Power Mode Register (PWRMODE).....	3-40
3.8	External Hardware Considerations	3-40
3.8.1	Power-On-Reset Considerations	3-40
3.8.2	Power Supply Connectivity.....	3-40
3.8.3	Driving the Crystal Pins from an External Clock Source.....	3-41
3.8.4	Noise Coupling Between Driven Crystal Pins and a Crystal Oscillator.....	3-41
3.9	Clocks and Power Manager Register Summary	3-41
3.9.1	Clocks Manager Register Locations	3-41
3.9.2	Power Manager Register Summary.....	3-41
4	System Integration Unit	4-1
4.1	General-Purpose I/O.....	4-1
4.1.1	GPIO Operation	4-1
4.1.2	GPIO Alternate Functions	4-2
4.1.3	GPIO Register Definitions.....	4-6

4.2	Interrupt Controller.....	4-20
4.2.1	Interrupt Controller Operation.....	4-20
4.2.2	Interrupt Controller Register Definitions.....	4-21
4.3	Real-Time Clock (RTC).....	4-28
4.3.1	Real-Time Clock Operation.....	4-28
4.3.2	RTC Register Definitions.....	4-29
4.3.3	Trim Procedure.....	4-32
4.4	Operating System (OS) Timer.....	4-34
4.4.1	Watchdog Timer Operation.....	4-35
4.4.2	OS Timer Register Definitions.....	4-35
4.5	Pulse Width Modulator.....	4-38
4.5.1	Pulse Width Modulator Operation.....	4-38
4.5.2	Register Descriptions.....	4-40
4.5.3	Pulse Width Modulator Output Wave Example.....	4-43
4.6	System Integration Unit Register Summary.....	4-44
4.6.1	GPIO Register Locations.....	4-44
4.6.2	Interrupt Controller Register Locations.....	4-45
4.6.3	Real-Time Clock Register Locations.....	4-45
4.6.4	OS Timer Register Locations.....	4-45
4.6.5	Pulse Width Modulator Register Locations.....	4-46
5	DMA Controller.....	5-1
5.1	DMA Description.....	5-1
5.1.1	DMAC Channels.....	5-2
5.1.2	Signal Descriptions.....	5-2
5.1.3	DMA Channel Priority Scheme.....	5-3
5.1.4	DMA Descriptors.....	5-5
5.1.5	Channel States.....	5-8
5.1.6	Read and Write Order.....	5-9
5.1.7	Byte Transfer Order.....	5-9
5.1.8	Trailing Bytes.....	5-10
5.2	Transferring Data.....	5-11
5.2.1	Servicing Internal Peripherals.....	5-11
5.2.2	Quick Reference for DMA Programming.....	5-13
5.2.3	Servicing Companion Chips and External Peripherals.....	5-14
5.2.4	Memory-to-Memory Moves.....	5-16
5.3	DMAC Registers.....	5-17
5.3.1	DMA Interrupt Register (DINT).....	5-17
5.3.2	DMA Channel Control/Status Register (DCSRx).....	5-17
5.3.3	DMA Request to Channel Map Registers (DRCMRx).....	5-20
5.3.4	DMA Descriptor Address Registers (DDADRx).....	5-20
5.3.5	DMA Source Address Registers.....	5-21
5.3.6	DMA Target Address Registers (DTADRx).....	5-22
5.3.7	DMA Command Registers (DCMDx).....	5-23
5.4	Examples.....	5-26
5.5	DMA Controller Register Summary.....	5-28
6	Memory Controller.....	6-1
6.1	Overview.....	6-1
6.2	Functional Description.....	6-2

6.2.1	SDRAM Interface Overview.....	6-2
6.2.2	Static Memory Interface / Variable Latency I/O Interface.....	6-3
6.2.3	16-Bit PC Card / Compact Flash Interface.....	6-4
6.3	Memory System Examples.....	6-4
6.4	Memory Accesses.....	6-7
6.4.1	Reads and Writes.....	6-8
6.4.2	Aborts and Nonexistent Memory.....	6-8
6.5	Synchronous DRAM Memory Interface.....	6-8
6.5.1	SDRAM MDCNFG Register (MDCNFG).....	6-8
6.5.2	SDRAM Mode Register Set Configuration Register (MDMRS).....	6-12
6.5.3	SDRAM MDREFR Register (MDREFR).....	6-14
6.5.4	Fixed-Delay or Return-Clock Data Latching.....	6-17
6.5.5	SDRAM Memory Options.....	6-18
6.5.6	SDRAM Command Overview.....	6-27
6.5.7	SDRAM Waveforms.....	6-28
6.6	Synchronous Static Memory Interface.....	6-32
6.6.1	Synchronous Static Memory Configuration Register (SXCNFG).....	6-32
6.6.2	Synchronous Static Memory Mode Register Set Configuration Register (SXMRS).....	6-37
6.6.3	Synchronous Static Memory Timing Diagrams.....	6-38
6.6.4	Non-SDRAM Timing SXMEM Operation.....	6-39
6.7	Asynchronous Static Memory.....	6-42
6.7.1	Static Memory Interface.....	6-42
6.7.2	Static Memory SA-1111 Compatibility Configuration Register (SA1111CR).....	6-44
6.7.3	Asynchronous Static Memory Control Registers (MSCx).....	6-46
6.7.4	ROM Interface.....	6-50
6.7.5	SRAM Interface Overview.....	6-53
6.7.6	Variable Latency I/O (VLIO) Interface Overview.....	6-55
6.7.7	FLASH Memory Interface.....	6-58
6.8	16-Bit PC Card/Compact Flash Interface.....	6-60
6.8.1	Expansion Memory Timing Configuration Register.....	6-60
6.8.2	Expansion Memory Configuration Register (MECR).....	6-63
6.8.3	16-Bit PC Card Overview.....	6-64
6.8.4	External Logic for 16-Bit PC Card Implementation.....	6-66
6.8.5	Expansion Card Interface Timing Diagrams and Parameters.....	6-69
6.9	Companion Chip Interface.....	6-70
6.9.1	Alternate Bus Master Mode.....	6-72
6.10	Options and Settings for Boot Memory.....	6-74
6.10.1	Alternate Booting.....	6-74
6.10.2	Boot Time Defaults.....	6-74
6.10.3	Memory Interface Reset and Initialization.....	6-78
6.11	Hardware, Watchdog, or Sleep Reset Operation.....	6-79
6.12	GPIO Reset Procedure.....	6-81
6.13	Memory Controller Register Summary.....	6-81
7	LCD Controller.....	7-1
7.1	Overview.....	7-1
7.1.1	Features.....	7-2
7.1.2	Pin Descriptions.....	7-4
7.2	LCD Controller Operation.....	7-4

7.2.1	Enabling the Controller	7-4
7.2.2	Disabling the Controller	7-5
7.2.3	Resetting the Controller	7-5
7.3	Detailed Module Descriptions	7-5
7.3.1	Input FIFOs	7-5
7.3.2	Lookup Palette	7-6
7.3.3	Temporal Modulated Energy Distribution (TMED) Dithering	7-6
7.3.4	Output FIFOs	7-8
7.3.5	LCD Controller Pin Usage	7-8
7.3.6	DMA	7-9
7.4	LCD External Palette and Frame Buffers	7-10
7.4.1	External Palette Buffer	7-10
7.4.2	External Frame Buffer	7-11
7.5	Functional Timing	7-14
7.6	Register Descriptions	7-17
7.6.1	LCD Controller Control Register 0 (LCCR0)	7-18
7.6.2	LCD Controller Control Register 1 (LCCR1)	7-24
7.6.3	LCD Controller Control Register 2 (LCCR2)	7-26
7.6.4	LCD Controller Control Register 3 (LCCR3)	7-28
7.6.5	LCD Controller DMA	7-32
7.6.6	LCD DMA Frame Branch Registers (FBRx)	7-37
7.6.7	LCD Controller Status Register (LCSR)	7-38
7.6.8	LCD Controller Interrupt ID Register (LIIDR)	7-41
7.6.9	TMED RGB Seed Register (TRGBR)	7-42
7.6.10	TMED Control Register (TCR)	7-43
7.7	LCD Controller Register Summary	7-44
8	Synchronous Serial Port Controller	8-1
8.1	Overview	8-1
8.2	Signal Description	8-1
8.2.1	External Interface to Synchronous Serial Peripherals	8-1
8.3	Functional Description	8-2
8.3.1	Data Transfer	8-2
8.4	Data Formats	8-2
8.4.1	Serial Data Formats for Transfer to/from Peripherals	8-2
8.4.2	Parallel Data Formats for FIFO Storage	8-6
8.5	FIFO Operation and Data Transfers	8-7
8.5.1	Using Programmed I/O Data Transfers	8-7
8.5.2	Using DMA Data Transfers	8-7
8.6	Baud-Rate Generation	8-7
8.7	SSP Serial Port Registers	8-8
8.7.1	SSP Control Register 0 (SSCR0)	8-8
8.7.2	SSP Control Register 1 (SSCR1)	8-11
8.7.3	SSP Data Register (SSDR)	8-15
8.7.4	SSP Status Register (SSSR)	8-16
8.8	SSP Controller Register Summary	8-19
9	I ² C Bus Interface Unit	9-1
9.1	Overview	9-1
9.2	Signal Description	9-1

9.3	Functional Description	9-1
9.3.1	Operational Blocks.....	9-3
9.3.2	I2C Bus Interface Modes	9-3
9.3.3	Start and Stop Bus States	9-4
9.4	I2C Bus Operation	9-7
9.4.1	Serial Clock Line (SCL) Generation.....	9-7
9.4.2	Data and Addressing Management	9-7
9.4.3	I2C Acknowledge.....	9-8
9.4.4	Polling.....	9-9
9.4.5	Arbitration	9-9
9.4.6	Master Operations	9-12
9.4.7	Slave Operations	9-14
9.4.8	General Call Address.....	9-16
9.5	Slave Mode Programming Examples	9-18
9.5.1	Initialize Unit	9-18
9.5.2	Write n Bytes as a Slave.....	9-18
9.5.3	Read n Bytes as a Slave	9-18
9.6	Master Programming Examples	9-19
9.6.1	Initialize Unit	9-19
9.6.2	Write 1 Byte as a Master	9-19
9.6.3	Read 1 Byte as a Master	9-20
9.6.4	Write 2 Bytes and Repeated Start Read 1 Byte as a Master.....	9-20
9.6.5	Read 2 Bytes as a Master - Send STOP Using the Abort	9-21
9.7	Glitch Suppression Logic.....	9-21
9.8	Reset Conditions	9-21
9.9	Register Definitions.....	9-22
9.9.1	I2C Bus Monitor Register (IBMR)	9-22
9.9.2	I2C Data Buffer Register (IDBR).....	9-22
9.9.3	I2C Control Register (ICR).....	9-23
9.9.4	I2C Status Register (ISR)	9-25
9.9.5	I2C Slave Address Register (ISAR).....	9-27
10	UARTs.....	10-1
10.1	Feature List.....	10-1
10.2	Overview.....	10-2
10.2.1	Full Function UART	10-2
10.2.2	Bluetooth UART	10-2
10.2.3	Standard UART	10-2
10.2.4	Compatibility with 16550.....	10-2
10.3	Signal Descriptions	10-3
10.4	UART Operational Description	10-4
10.4.1	Reset	10-5
10.4.2	Internal Register Descriptions.....	10-5
10.4.3	FIFO Interrupt Mode Operation	10-21
10.4.4	FIFO Polled Mode Operation.....	10-22
10.4.5	DMA Requests.....	10-22
10.4.6	Slow Infrared Asynchronous Interface.....	10-23
10.5	UART Register Summary	10-26
10.5.1	UART Register Differences	10-28

11	Fast Infrared Communication Port.....	11-1
11.1	Signal Description.....	11-1
11.2	FICP Operation.....	11-1
11.2.1	4PPM Modulation	11-2
11.2.2	Frame Format	11-3
11.2.3	Address Field	11-3
11.2.4	Control Field	11-3
11.2.5	Data Field	11-3
11.2.6	CRC Field	11-4
11.2.7	Baud Rate Generation	11-4
11.2.8	Receive Operation	11-4
11.2.9	Transmit Operation	11-5
11.2.10	Transmit and Receive FIFOs.....	11-6
11.2.11	Trailing or Error Bytes in the Receive FIFO	11-7
11.3	FICP Register Definitions	11-7
11.3.1	FICP Control Register 0 (ICCR0).....	11-8
11.3.2	FICP Control Register 1 (ICCR1).....	11-10
11.3.3	FICP Control Register 2 (ICCR2).....	11-11
11.3.4	FICP Data Register (ICDR).....	11-12
11.3.5	FICP Status Register 0 (ICSR0)	11-13
11.3.6	FICP Status Register 1 (ICSR1)	11-15
11.4	FICP Register Summary.....	11-16
12	USB Device Controller.....	12-1
12.1	USB Overview	12-1
12.2	Device Configuration	12-2
12.3	USB Protocol	12-2
12.3.1	Signalling Levels.....	12-3
12.3.2	Bit Encoding.....	12-3
12.3.3	Field Formats	12-4
12.3.4	Packet Formats.....	12-5
12.3.5	Transaction Formats.....	12-6
12.3.6	UDC Device Requests.....	12-8
12.3.7	Configuration	12-9
12.4	UDC Hardware Connection	12-10
12.4.1	Self-Powered Device	12-10
12.4.2	Bus-Powered Devices	12-12
12.5	UDC Operation	12-12
12.5.1	Case 1: EP0 Control Read	12-12
12.5.2	Case 2: EP0 Control Read with a Premature Status Stage.....	12-13
12.5.3	Case 3: EP0 Control Write With or Without a Premature Status Stage.....	12-14
12.5.4	Case 4: EP0 No Data Command	12-15
12.5.5	Case 5: EP1 Data Transmit (BULK-IN).....	12-15
12.5.6	Case 6: EP2 Data Receive (BULK-OUT).....	12-16
12.5.7	Case 7: EP3 Data Transmit (ISOCHRONOUS-IN).....	12-17
12.5.8	Case 8: EP4 Data Receive (ISOCHRONOUS-OUT).....	12-18
12.5.9	Case 9: EP5 Data Transmit (INTERRUPT-IN)	12-20
12.5.10	Case 10: RESET Interrupt	12-20
12.5.11	Case 11: SUSPEND Interrupt.....	12-21
12.5.12	Case 12: RESUME Interrupt.....	12-21

12.6	UDC Register Definitions.....	12-21
12.6.1	UDC Control Register (UDCCR).....	12-22
12.6.2	UDC Control Function Register (UDCCFR).....	12-24
12.6.3	UDC Endpoint 0 Control/Status Register (UDCCS0).....	12-25
12.6.4	UDC Endpoint x Control/Status Register (UDCCS1/6/11).....	12-27
12.6.5	UDC Endpoint x Control/Status Register (UDCCS2/7/12).....	12-29
12.6.6	UDC Endpoint x Control/Status Register (UDCCS3/8/13).....	12-31
12.6.7	UDC Endpoint x Control/Status Register (UDCCS4/9/14).....	12-32
12.6.8	UDC Endpoint x Control/Status Register (UDCCS5/10/15).....	12-34
12.6.9	UDC Interrupt Control Register 0 (UICR0).....	12-36
12.6.10	UDC Interrupt Control Register 1 (UICR1).....	12-38
12.6.11	UDC Status/Interrupt Register 0 (USIR0).....	12-39
12.6.12	UDC Status/Interrupt Register 1 (USIR1).....	12-41
12.6.13	UDC Frame Number High Register (UFNHR).....	12-42
12.6.14	UDC Frame Number Low Register (UFNLR).....	12-44
12.6.15	UDC Byte Count Register x (UBCR2/4/7/9/12/14).....	12-44
12.6.16	UDC Endpoint 0 Data Register (UDDR0).....	12-45
12.6.17	UDC Endpoint x Data Register (UDDR1/6/11).....	12-46
12.6.18	UDC Endpoint x Data Register (UDDR2/7/12).....	12-46
12.6.19	UDC Endpoint x Data Register (UDDR3/8/13).....	12-47
12.6.20	UDC Endpoint x Data Register (UDDR4/9/14).....	12-47
12.6.21	UDC Endpoint x Data Register (UDDR5/10/15).....	12-48
12.7	USB Device Controller Register Summary.....	12-48
13	AC'97 Controller Unit.....	13-1
13.1	Overview.....	13-1
13.2	Feature List.....	13-1
13.3	Signal Description.....	13-2
13.3.1	Signal Configuration Steps.....	13-2
13.3.2	Example AC-link.....	13-2
13.4	AC-link Digital Serial Interface Protocol.....	13-3
13.4.1	AC-link Audio Output Frame (SDATA_OUT).....	13-4
13.4.2	AC-link Audio Input Frame (SDATA_IN).....	13-8
13.5	AC-link Low Power Mode.....	13-12
13.5.1	Powering Down the AC-link.....	13-12
13.5.2	Waking up the AC-link.....	13-13
13.6	ACUNIT Operation.....	13-14
13.6.1	Initialization.....	13-15
13.6.2	Trailing bytes.....	13-17
13.6.3	Operational Flow for Accessing CODEC Registers.....	13-17
13.7	Clocks and Sampling Frequencies.....	13-17
13.8	Functional Description.....	13-18
13.8.1	FIFOs.....	13-18
13.8.2	Interrupts.....	13-19
13.8.3	Registers.....	13-19
13.9	AC'97 Register Summary.....	13-35
14	Inter-Integrated-Circuit Sound (I2S) Controller.....	14-1
14.1	Overview.....	14-1
14.2	Signal Descriptions.....	14-2

- 14.3 Controller Operation 14-3
 - 14.3.1 Initialization 14-3
 - 14.3.2 Disabling and Enabling Audio Replay 14-4
 - 14.3.3 Disabling and Enabling Audio Record 14-4
 - 14.3.4 Transmit FIFO Errors 14-5
 - 14.3.5 Receive FIFO Errors 14-5
 - 14.3.6 Trailing Bytes 14-5
- 14.4 Serial Audio Clocks and Sampling Frequencies 14-5
- 14.5 Data Formats 14-6
 - 14.5.1 FIFO and Memory Format 14-6
 - 14.5.2 I2S and MSB-Justified Serial Audio Formats 14-6
- 14.6 Registers 14-8
 - 14.6.1 Serial Audio Controller Global Control Register (SACR0) 14-8
 - 14.6.2 Serial Audio Controller I2S/MSB-Justified Control Register (SACR1) 14-10
 - 14.6.3 Serial Audio Controller I2S/MSB-Justified Status Register (SASR0) 14-11
 - 14.6.4 Serial Audio Clock Divider Register (SADIV) 14-12
 - 14.6.5 Serial Audio Interrupt Clear Register (SAICR) 14-13
 - 14.6.6 Serial Audio Interrupt Mask Register (SAIMR) 14-14
 - 14.6.7 Serial Audio Data Register (SADR) 14-14
- 14.7 Interrupts 14-15
- 14.8 I²S Controller Register Summary 14-15
- 15 MultiMediaCard Controller 15-1
 - 15.1 Overview 15-1
 - 15.2 MMC Controller Functional Description 15-4
 - 15.2.1 Signal Description 15-6
 - 15.2.2 MMC Controller Reset 15-6
 - 15.2.3 Card Initialization Sequence 15-6
 - 15.2.4 MMC and SPI Modes 15-6
 - 15.2.5 Error Detection 15-8
 - 15.2.6 Interrupts 15-8
 - 15.2.7 Clock Control 15-9
 - 15.2.8 Data FIFOs 15-10
 - 15.3 Card Communication Protocol 15-12
 - 15.3.1 Basic, No Data, Command and Response Sequence 15-13
 - 15.3.2 Data Transfer 15-13
 - 15.3.3 Busy Sequence 15-16
 - 15.3.4 SPI Functionality 15-17
 - 15.4 MultiMediaCard Controller Operation 15-17
 - 15.4.1 Start and Stop Clock 15-17
 - 15.4.2 Initialize 15-17
 - 15.4.3 Enabling SPI Mode 15-17
 - 15.4.4 No Data Command and Response Sequence 15-18
 - 15.4.5 Erase 15-18
 - 15.4.6 Single Data Block Write 15-18
 - 15.4.7 Single Block Read 15-19
 - 15.4.8 Multiple Block Write 15-20
 - 15.4.9 Multiple Block Read 15-20
 - 15.4.10 Stream Write 15-21
 - 15.4.11 Stream Read 15-21

15.5	MMC Controller Registers	15-22
15.5.1	MMC_STRPCL Register.....	15-22
15.5.2	MMC_Status Register (MMC_STAT)	15-23
15.5.3	MMC_CLKRT Register (MMC_CLKRT)	15-24
15.5.4	MMC_SPI Register (MMC_SPI)	15-25
15.5.5	MMC_CMDAT Register (MMC_CMDAT)	15-26
15.5.6	MMC_RESTO Register (MMC_RESTO)	15-27
15.5.7	MMC_RDTO Register (MMC_RDTO)	15-28
15.5.8	MMC_BLKLEN Register (MMC_BLKLEN)	15-29
15.5.9	MMC_NOB Register (MMC_NOB)	15-29
15.5.10	MMC_PRTBUF Register (MMC_PRTBUF)	15-30
15.5.11	MMC_I_MASK Register (MMC_I_MASK)	15-30
15.5.12	MMC_I_REG Register (MMC_I_REG)	15-31
15.5.13	MMC_CMD Register (MMC_CMD)	15-33
15.5.14	MMC_ARGH Register (MMC_ARGH)	15-35
15.5.15	MMC_ARGL Register (MMC_ARGL)	15-35
15.5.16	MMC_RES FIFO.....	15-36
15.5.17	MMC_RXFIFO FIFO.....	15-36
15.5.18	MMC_TXFIFO FIFO	15-37
15.6	MultiMediaCard Controller Register Summary	15-37
16	Network SSP Serial Port	16-1
16.1	Overview.....	16-1
16.2	Features.....	16-1
16.3	Signal Description.....	16-2
16.4	Operation	16-2
16.4.1	Processor and DMA FIFO Access.....	16-2
16.4.2	Trailing Bytes in the Receive FIFO	16-3
16.4.3	Data Formats.....	16-3
16.4.4	Hi-Z on SSPTXD.....	16-13
16.4.5	FIFO Operation.....	16-17
16.4.6	Baud-Rate Generation.....	16-17
16.5	Register Descriptions.....	16-18
16.5.1	SSP Control Register 0 (SSCR0)	16-18
16.5.2	SSP Control Register 1 (SSCR1)	16-20
16.5.3	SSP Programmable Serial Protocol Register (SSPSP).....	16-22
16.5.4	SSP Time Out Register (SSTO)	16-24
16.5.5	SSP Interrupt Test Register (SSITR).....	16-24
16.5.6	SSP Status Register (SSSR).....	16-25
16.5.7	SSP Data Register (SSDR)	16-28
16.6	Network SSP Serial Port Register Summary.....	16-29
17	Hardware UART	17-1
17.1	Overview.....	17-1
17.2	Features.....	17-1
17.3	Signal Descriptions	17-3
17.4	Operation	17-3
17.4.1	Reset	17-4
17.4.2	FIFO Operation	17-4
17.4.3	Autoflow Control	17-7

17.4.4	Auto-Baud-Rate Detection	17-7
17.4.5	Slow Infrared Asynchronous Interface	17-8
17.5	Register Descriptions	17-10
17.5.1	Receive Buffer Register (RBR)	17-10
17.5.2	Transmit Holding Register (THR)	17-10
17.5.3	Divisor Latch Registers (DLL and DLH)	17-10
17.5.4	Interrupt Enable Register (IER)	17-11
17.5.5	Interrupt Identification Register (IIR)	17-13
17.5.6	FIFO Control Register (FCR)	17-15
17.5.7	Receive FIFO Occupancy Register (FOR)	17-16
17.5.8	Auto-Baud Control Register (ABR)	17-17
17.5.9	Auto-Baud Count Register (ACR)	17-17
17.5.10	Line Control Register (LCR)	17-18
17.5.11	Line Status Register (LSR)	17-19
17.5.12	Modem Control Register (MCR)	17-21
17.5.13	Modem Status Register (MSR)	17-23
17.5.14	Scratchpad Register (SCR)	17-24
17.5.15	Infrared Selection Register (ISR)	17-24
17.6	Hardware UART Register Summary	17-25

Figures

2-1	Block Diagram	2-2
2-2	Memory Map (Part One) — From 0x8000_0000 to 0xFFFF FFFF	2-19
2-3	Memory Map (Part Two) — From 0x0000_0000 to 0x7FFF FFFF	2-20
3-1	Clocks Manager Block Diagram	3-3
4-1	General-Purpose I/O Block Diagram	4-2
4-2	Interrupt Controller Block Diagram	4-21
4-3	PWMn Block Diagram	4-39
4-4	Basic Pulse Width Waveform	4-43
5-1	DMAC Block Diagram	5-1
5-2	DREQ timing requirements	5-3
5-3	No-Descriptor Fetch Mode Channel State	5-6
5-4	Descriptor Fetch Mode Channel State	5-8
5-5	Little Endian Transfers	5-10
6-1	General Memory Interface Configuration	6-2
6-2	SDRAM Memory System Example	6-5
6-3	Static Memory System Example	6-6
6-4	External to Internal Address Mapping Options	6-19
6-5	Basic SDRAM Timing Parameters	6-29
6-6	SDRAM_Read_diffbank_diffrow	6-29
6-7	SDRAM_read_samebank_diffrow	6-30
6-8	SDRAM_read_samebank_samerow	6-30
6-9	SDRAM_write	6-31
6-10	SDRAM 4-Beat Read/ 4-Beat Write To Different Partitions	6-31
6-11	SDRAM 4-Beat Write / 4-Write Same Bank, Same Row	6-32
6-12	SMROM Read Timing Diagram Half-Memory Clock Frequency	6-39
6-13	Burst-of-Eight Synchronous Flash Timing Diagram (non-divide-by-2 mode)	6-41
6-14	Flash Memory Reset Using State Machine	6-42

6-15	Flash Memory Reset Logic if Watchdog Reset is Not Necessary	6-42
6-16	MSC0/1/2.....	6-46
6-17	32-Bit Burst-of-Eight ROM or Flash Read Timing Diagram (MSC0[RDF] = 4, MSC0[RDN] = 1, MSC0[RRR] = 1).....	6-51
6-18	Eight-Beat Burst Read from 16-Bit Burst-of-Four ROM or Flash (MSC0[RDF] = 4, MSC0[RDN] = 1, MSC0[RRR] = 0).....	6-52
6-19	32-Bit Non-burst ROM, SRAM, or Flash Read Timing Diagram - Four Data Beats (MSC0[RDF] = 4, MSC0[RRR] = 1).....	6-53
6-20	32-Bit SRAM Write Timing Diagram (4-beat Burst (MSC0[RDN] = 2, MSC0[RRR] = 1).....	6-54
6-21	32-Bit Variable Latency I/O Read Timing (Burst-of-Four, One Wait Cycle Per Beat) (MSC0[RDF] = 2, MSC0[RDN] = 2, MSC0[RRR] = 1)	6-56
6-22	32-Bit Variable Latency I/O Write Timing (Burst-of-Four, Variable Wait Cycles Per Beat)	6-57
6-23	Asynchronous 32-Bit Flash Write Timing Diagram (2 Writes)	6-59
6-24	MCMEM1	6-60
6-25	MCATT1	6-60
6-26	16-Bit PC Card Memory Map	6-64
6-27	Expansion Card External Logic for a One-Socket Configuration.....	6-67
6-28	Expansion Card External Logic for a Two-Socket Configuration.....	6-68
6-29	16-Bit PC Card Memory or I/O 16-Bit (Half-word) Access.....	6-69
6-30	16-Bit PC Card I/O 16-Bit Access to 8-Bit Device	6-70
6-31	Alternate Bus Master Mode	6-71
6-32	Variable Latency IO	6-71
6-33	Asynchronous Boot Time Configurations and Register Defaults.....	6-76
6-34	SMROM Boot Time Configurations and Register Defaults.....	6-77
6-35	SMROM Boot Time Configurations and Register Defaults.....	6-78
7-1	LCD Controller Block Diagram	7-3
7-2	Temporal Dithering Concept - Single Color.....	7-6
7-3	Compare Range for TMED.....	7-7
7-4	TMED Block Diagram	7-8
7-5	Palette Buffer Format	7-11
7-6	1 Bit Per Pixel Data Memory Organization	7-11
7-7	2 Bits Per Pixel Data Memory Organization	7-12
7-8	4 Bits Per Pixel Data Memory Organization	7-12
7-9	8 Bits Per Pixel Data Memory Organization	7-12
7-10	16 Bits Per Pixel Data Memory Organization - Passive Mode	7-13
7-11	16 Bits Per Pixel Data Memory Organization - Active Mode	7-13
7-12	Passive Mode Start-of-Frame Timing.....	7-15
7-13	Passive Mode End-of-Frame Timing.....	7-15
7-14	Passive Mode Pixel Clock and Data Pin Timing.....	7-16
7-15	Active Mode Timing.....	7-16
7-16	Active Mode Pixel Clock and Data Pin Timing	7-17
7-17	Frame Buffer/Palette Output to LCD Data Pins in Active Mode	7-20
7-18	LCD Data-Pin Pixel Ordering.....	7-22
8-1	Texas Instruments' Synchronous Serial Frame* Format.....	8-4
8-2	Motorola SPI* Frame Format.....	8-5
8-3	National Microwire* Frame Format.....	8-6
8-4	Motorola SPI* Frame Formats for SPO and SPH Programming.....	8-13
9-1	I ² C Bus Configuration Example.....	9-2
9-2	Start and Stop Conditions.....	9-5

9-3	START and STOP Conditions	9-6
9-4	Data Format of First Byte in Master Transaction	9-8
9-5	Acknowledge on the I2C Bus.....	9-9
9-6	Clock Synchronization During the Arbitration Procedure.....	9-10
9-7	Arbitration Procedure of Two Masters	9-11
9-8	Master-Receiver Read from Slave-Transmitter	9-14
9-9	Master-Receiver Read from Slave-Transmitter / Repeated Start / Master-Transmitter Write to Slave-Receiver	9-14
9-10	A Complete Data Transfer	9-14
9-11	Master-Transmitter Write to Slave-Receiver.....	9-16
9-12	Master-Receiver Read to Slave-Transmitter	9-16
9-13	Master-Receiver Read to Slave-Transmitter, Repeated START, Master-Transmitter Write to Slave-Receiver	9-16
9-14	General Call Address.....	9-17
10-1	Example UART Data Frame	10-4
10-2	Example NRZ Bit Encoding – (0b0100 1011	10-5
10-3	IR Transmit and Receive Example	10-25
10-4	XMODE Example.....	10-25
11-1	4PPM Modulation Encodings.....	11-2
11-2	4PPM Modulation Example	11-2
11-3	Frame Format for IrDA Transmission (4.0 Mbps)	11-3
12-1	NRZI Bit Encoding Example	12-4
12-2	Self-Powered Device	12-11
13-1	Data Transfer Through the AC-link.....	13-3
13-2	AC'97 Standard Bidirectional Audio Frame	13-4
13-3	AC-link Audio Output Frame.....	13-5
13-4	Start of Audio Output Frame.....	13-5
13-5	AC'97 Input Frame.....	13-9
13-6	Start of an Audio Input Frame.....	13-9
13-7	AC-link Powerdown Timing.....	13-12
13-8	SDATA_IN Wake Up Signaling.....	13-13
13-9	PCM Transmit and Receive Operation	13-27
13-10	Mic-in Receive-Only Operation.....	13-29
13-11	Modem Transmit and Receive Operation	13-32
14-1	I2S Data Formats (16 bits).....	14-7
14-2	MSB-Justified Data Formats (16 bits	14-7
14-3	Transmit and Receive FIFO Accesses Through the SADR.....	14-15
15-1	MMC System Interaction	15-1
15-2	MMC Mode Operation Without Data Token.....	15-3
15-3	MMC Mode Operation With Data Token.....	15-3
15-4	SPI Mode Operation Without Data Token	15-4
15-5	SPI Mode Read Operation.....	15-4
15-6	SPI Mode Write Operation	15-4
16-1	Texas Instruments Synchronous Serial Frame* Protocol (multiple transfers)	16-5
16-2	Texas Instruments Synchronous Serial Frame* Protocol (single transfers)	16-6
16-3	Motorola SPI* Frame Protocol (multiple transfers)	16-7
16-4	Motorola SPI* Frame Protocol (single transfers)	16-7
16-5	Motorola SPI* Frame Protocols for SPO and SPH Programming (multiple transfers).....	16-8
16-6	Motorola SPI* Frame Protocols for SPO and SPH Programming (single transfers).....	16-9
16-7	National Semiconductor Microwire* Frame Protocol (multiple transfers)	16-10

16-8	National Semiconductor Microwire* Frame Protocol (single transfers)	16-10
16-9	Programmable Serial Protocol (multiple transfers).....	16-11
16-10	Programmable Serial Protocol (single transfers).....	16-12
16-11	TI SSP with SSCR[TTE]=1 and SSCR[TTELP]=0.....	16-13
16-12	TI SSP with SSCR[TTE]=1 and SSCR[TTELP]=1.....	16-14
16-13	Motorola SPI with SSCR[TTE]=1.....	16-14
16-14	National Semiconductor Microwire with SSCR1[TTE]=1.....	16-15
16-15	PSP mode with SSCR1[TTE]=1 and SSCR1[TTELP]=0 (slave to frame).....	16-15
16-16	PSP mode with SSCR1[TTE]=1 and SSCR1[TTELP]=0 (master to frame).....	16-16
16-17	PSP mode with SSCR1[TTE]=1 and SSCR1[TTELP]=1 (must be slave to frame).....	16-16
17-1	Example UART Data Frame.....	17-3
17-2	Example NRZ Bit Encoding – (0b0100 1011).....	17-4
17-3	IR Transmit and Receive Example.....	17-9
17-4	XMODE Example.....	17-9

Tables

	2-1CPU Core Fault Register Bit Definitions.....	2-3
2-2	ID Bit Definitions.....	2-4
2-3	PXA255 Processor ID Values.....	2-4
2-4	Effect of Each Type of Reset on Internal Register State.....	2-6
2-5	Processor Pin Types.....	2-8
2-6	Pin & Signal Descriptions for the PXA255 Processor.....	2-9
2-7	Pin Description Notes.....	2-17
2-8	System Architecture Register Address Summary.....	2-21
3-1	Core PLL Output Frequencies for 3.6864 MHz Crystal.....	3-5
3-2	95.85 MHz Peripheral PLL Output Frequencies for 3.6864 MHz Crystal.....	3-5
3-3	147.46 MHz Peripheral PLL Output Frequencies for 3.6864 MHz Crystal.....	3-6
3-4	Power Mode Entry Sequence Table.....	3-20
3-5	Power Mode Exit Sequence Table.....	3-20
3-6	Power and Clock Supply Sources and States During Power Modes.....	3-22
3-7	PMCR Bit Definitions.....	3-23
3-8	PCFR Bit Definitions.....	3-24
3-9	PWER Bit Definitions.....	3-25
3-10	PRER Bit Definitions.....	3-26
3-11	PFER Bit Definitions.....	3-27
3-12	PEDR Bit Definitions.....	3-28
3-13	PSSR Bit Definitions.....	3-29
3-14	PSPR Bit Definitions.....	3-30
3-15	PMFW Register Bitmap and Bit Definitions.....	3-31
3-16	PGSR0 Bit Definitions.....	3-32
3-17	PGSR1 Bit Definitions.....	3-32
3-18	PGSR2 Bit Definitions.....	3-33
3-19	RCSR Bit Definitions.....	3-34
3-20	CCCR Bit Definitions.....	3-35
3-21	CKEN Bit Definitions.....	3-36
3-22	OSCC Bit Definitions.....	3-38
3-23	Coprocessor 14 Clock and Power Management Summary.....	3-39
3-24	CCLKCFG Bit Definitions.....	3-39
3-25	PWRMODE Bit Definitions.....	3-40

3-26	Clocks Manager Register Summary	3-41
3-27	Power Manager Register Summary	3-42
4-1	GPIO Alternate Functions	4-3
4-2	GPIO Register Definitions	4-6
4-3	GPLR0 Bit Definitions	4-7
4-4	GPLR1 Bit Definitions	4-8
4-5	GPLR2 Bit Definitions	4-8
4-6	GPDR0 Bit Definitions	4-9
4-7	GPDR1 Bit Definitions	4-9
4-8	GPDR2 Bit Definitions	4-9
4-9	GPSR0 Bit Definitions	4-10
4-10	GPSR1 Bit Definitions	4-10
4-11	GPSR2 Bit Definitions	4-11
4-12	GPCR0 Bit Definitions	4-11
4-13	GPCR1 Bit Definitions	4-11
4-14	GPCR2 Bit Definitions	4-12
4-15	GRER0 Bit Definitions	4-13
4-16	GRER1 Bit Definitions	4-13
4-17	GRER2 Bit Definitions	4-13
4-18	GFER0 Bit Definitions	4-14
4-19	GFER1 Bit Definitions	4-14
4-20	GFER2 Bit Definitions	4-14
4-21	GEDR0 Bit Definitions	4-15
4-22	GEDR1 Bit Definitions	4-15
4-23	GEDR2 Bit Definitions	4-16
4-24	GAFR0_L Bit Definitions	4-17
4-25	GAFR0_U Bit Definitions	4-17
4-26	GAFR1_L Bit Definitions	4-18
4-27	GAFR1_U Bit Definitions	4-18
4-28	GAFR2_L Bit Definitions	4-19
4-29	GAFR2_U Bit Definitions	4-19
4-30	ICMR Bit Definitions	4-22
4-31	ICLR Bit Definitions	4-23
4-32	ICCR Bit Definitions	4-23
4-33	ICIP Bit Definitions	4-24
4-34	ICFP Bit Definitions	4-24
4-35	ICPR Bit Definitions	4-25
4-36	List of First-Level Interrupts	4-27
4-37	RTTR Bit Definitions	4-30
4-38	RTAR Bit Definitions	4-30
4-39	RCNR Bit Definitions	4-31
4-40	RTSR Bit Definitions	4-32
4-41	OSMR[x] Bit Definitions	4-36
4-42	OIER Bit Definitions	4-36
4-43	OWER Bit Definitions	4-37
4-44	OSCR Bit Definitions	4-37
4-45	OSSR Bit Definitions	4-38
4-46	PWM_CTRLn Bit Definitions	4-41
4-47	PWM_DUTYn Bit Definitions	4-42
4-48	PWM_PERVALn Bit Definitions	4-43

4-49	GPIO Register Addresses	4-44
4-50	Interrupt Controller Register Addresses	4-45
4-51	RTC Register Addresses	4-45
4-52	OS Timer Register Addresses	4-45
4-53	Pulse Width Modulator Register Addresses	4-46
5-1	DMAC Signal List	5-2
5-2	Channel Priority (if all channels are running concurrently)	5-4
5-3	Channel Priority	5-4
5-4	Priority Schemes Examples	5-5
5-5	DMA Quick Reference for Internal Peripherals	5-13
5-6	DINT Bit Definitions	5-17
5-7	DCSRx Bit Definitions	5-18
5-8	DRCMRx Bit Definitions	5-20
5-9	DDADRx Bit Definitions	5-21
5-10	DSADRx Bit Definitions	5-22
5-11	DTADRx Bit Definitions	5-23
5-12	DCMDx Bit Definitions	5-24
5-13	DMA Controller Register Summary	5-28
6-1	Device Transactions	6-7
6-2	MDCNFG Bit Definitions	6-9
6-3	MDMRS Bit Definitions	6-12
6-4	MDMRSLP Register Bit Definitions	6-14
6-5	MDREFR Bit Definitions	6-15
6-6	Sample SDRAM Memory Size Options	6-18
6-7	External to Internal Address Mapping for Normal Bank Addressing	6-19
6-8	External to Internal Address Mapping for SA-1111 Addressing	6-21
6-9	Pin Mapping to SDRAM Devices with Normal Bank Addressing	6-23
6-10	Pin Mapping to SDRAM Devices with SA1111 Addressing	6-25
6-11	SDRAM Command Encoding	6-28
6-12	SDRAM Mode Register Opcode Table	6-28
6-13	SXCNFG Bit Definitions	6-33
6-14	SXCNFG	6-36
6-15	Synchronous Static Memory External to Internal Address Mapping Options	6-37
6-16	SXMRS Bit Definitions	6-38
6-17	Read Configuration Register Programming Values	6-40
6-18	Frequency Code Configuration Values Based on Clock Speed	6-40
6-20	16-Bit Bus Write Access	6-44
6-19	32-Bit Bus Write Access	6-44
6-21	32-Bit Byte Address Bits MA[1:0] for Reads Based on DQM[3:0]	6-45
6-22	16-Bit Byte Address Bit MA[0] for Reads Based on DQM[1:0]	6-45
6-23	SA-1111 Register Bit Definitions	6-45
6-24	MSC0/1/2 Bit Definitions	6-47
6-25	Asynchronous Static Memory and Variable Latency I/O Capabilities	6-50
6-26	MCMEM0/1 Bit Definitions	6-60
6-27	MCATT0/1 Bit Definitions	6-61
6-28	MCIO0/1 Bit Definitions	6-61
6-29	Card Interface Command Assertion Code Table	6-62
6-30	MECR Bit Definition	6-63
6-31	Common Memory Space Write Commands	6-65
6-32	Common Memory Space Read Commands	6-65

6-33	Attribute Memory Space Write Commands	6-65
6-34	Attribute Memory Space Read Commands	6-65
6-35	16-Bit I/O Space Write Commands (nIOIS16 = 0).....	6-65
6-36	16-Bit I/O Space Read Commands (nIOIS16 = 0).....	6-65
6-37	8-Bit I/O Space Write Commands (nIOIS16 = 1).....	6-66
6-38	8-Bit I/O Space Read Commands (nIOIS16 = 1).....	6-66
6-39	BOOT_SEL Definitions	6-74
6-40	BOOT_DEF Bitmap	6-75
6-41	Valid Boot Configurations Based on Processor Type.....	6-75
6-42	Memory Controller Pin Reset Values.....	6-79
6-43	Memory Controller Register Summary	6-81
7-1	Pin Descriptions.....	7-4
7-2	LCD Controller Data Pin Utilization.....	7-21
7-3	LCCR0 Bit Definitions	7-23
7-4	LCCR1 Bit Definitions	7-26
7-5	LCCR2 Bit Definitions	7-28
7-6	LCCR3 Bit Definitions	7-31
7-7	FDADR _x Bit Definitions.....	7-33
7-8	FSADR _x Bit Definitions.....	7-34
7-9	FIDR _x Bit Definitions.....	7-34
7-10	LDCMD _x Bit Definitions	7-36
7-11	FBR _x Bit Definitions	7-37
7-12	LCSR Bit Definitions	7-40
7-13	LIICR Bit Definitions.....	7-41
7-14	TRGBR Bit Definitions	7-42
7-15	TCR Bit Definitions	7-44
7-16	LCD Controller Register Summary	7-44
8-1	External Interface to Codec	8-1
8-2	SSCR0 Bit Definitions.....	8-9
8-3	SSCR1 Bit Definitions.....	8-11
8-4	TFT and RFT Values for DMA Servicing	8-15
8-5	SSDR Bit Definitions.....	8-15
8-6	SSSR Bit Definitions	8-17
8-7	SSP Controller Register Summary	8-19
9-1	I ² C Signal Description	9-1
9-2	I ² C Bus Definitions	9-2
9-3	Modes of Operation	9-3
9-4	START and STOP Bit Definitions	9-4
9-5	Master Transactions	9-12
9-6	Slave Transactions	9-15
9-7	General Call Address Second Byte Definitions	9-17
9-8	IBMR Bit Definitions.....	9-22
9-9	IDBR Bit Definitions	9-23
9-10	ICR Bit Definitions.....	9-23
9-11	ISR Bit Definitions.....	9-26
9-12	ISAR Bit Definitions	9-27
10-1	UART Signal Descriptions	10-3
10-2	UART Register Addresses as Offsets of a Base	10-6
10-3	RBR Bit Definitions	10-6
10-4	THR Bit Definitions	10-7

10-5	DLL Bit Definitions	10-8
10-6	DLH Bit Definitions	10-8
10-7	IER Bit Definitions	10-9
10-8	Interrupt Conditions	10-10
10-9	IIR Bit Definitions	10-10
10-10	Interrupt Identification Register Decode	10-11
10-11	FCR Bit Definitions	10-12
10-12	LCR Bit Definitions	10-14
10-13	LSR Bit Definitions	10-15
10-14	MCR Bit Definitions	10-18
10-15	MSR Bit Definitions	10-20
10-16	SPR Bit Definitions	10-21
10-17	ISR Bit Definitions	10-24
10-18	FFUART Register Summary	10-26
10-19	BTUART Register Summary	10-26
10-20	STUART Register Summary	10-27
10-21	Flow Control Registers in BTUART and STUART	10-28
11-1	FICP Signal Description	11-1
11-2	ICCR0 Bit Definitions	11-8
11-3	ICCR1 Bit Definitions	11-10
11-4	ICCR2 Bit Definitions	11-11
11-5	ICRD Bit Definitions	11-12
11-6	ICSR0 Bit Definitions	11-13
11-7	ICSR1 Bit Definitions	11-15
11-8	FICP Register Summary	11-16
12-1	Endpoint Configuration	12-2
12-2	USB States	12-3
12-3	IN, OUT, and SETUP Token Packet Format	12-5
12-4	SOF Token Packet Format	12-5
12-5	Data Packet Format	12-6
12-6	Handshake Packet Format	12-6
12-7	Bulk Transaction Formats	12-7
12-8	Isochronous Transaction Formats	12-7
12-9	Control Transaction Formats	12-7
12-10	Interrupt Transaction Formats	12-8
12-11	Host Device Request Summary	12-9
12-12	UDCCR Bit Definitions	12-22
12-13	UDC Control Function Register	12-24
12-14	UDCCS0 Bit Definitions	12-25
12-15	UDCCS1/6/11 Bit Definitions	12-27
12-16	UDCCS2/7/12 Bit Definitions	12-29
12-17	UDCCS3/8/13 Bit Definitions	12-31
12-18	UDCCS4/9/14 Bit Definitions	12-33
12-19	UDCCS5/10/15 Bit Definitions	12-34
12-20	UICR0 Bit Definitions	12-37
12-21	UICR1 Bit Definitions	12-38
12-22	USIR0 Bit Definitions	12-39
12-23	USIR1 Bit Definitions	12-41
12-24	UFNHR Bit Definitions	12-43
12-25	UFNLR Bit Definitions	12-44

12-26	UBCR2/4/7/9/12/14 Bit Definitions.....	12-45
12-27	UDDR0 Bit Definitions	12-46
12-28	UDDR1/6/11 Bit Definitions	12-46
12-29	UDDR2/7/12 Bit Definitions	12-47
12-30	UDDR3/8/13 Bit Definitions	12-47
12-31	UDDR4/9/14 Bit Definitions	12-48
12-32	UDDR5/10/15 Bit Definitions	12-48
12-33	USB Device Controller Register Summary	12-48
13-1	External Interface to CODECs.....	13-2
13-2	Supported Data Stream Formats.....	13-3
13-3	Slot 1 Bit Definitions.....	13-7
13-4	Slot 2 Bit Definitions.....	13-7
13-5	Input Slot 1 Bit Definitions.....	13-10
13-6	Input Slot 2 Bit Definitions.....	13-11
13-7	GCR Bit Definitions	13-20
13-8	GSR Bit Definitions	13-22
13-9	POCR Bit Definitions	13-23
13-10	PICR Bit Definitions	13-24
13-11	POSR Bit Definitions.....	13-25
13-12	PISR Bit Definitions	13-25
13-13	CAR Bit Definitions	13-26
13-14	PCDR Bit Definitions.....	13-26
13-15	MCCR Bit Definitions	13-27
13-16	MCSR Bit Definitions	13-28
13-17	MCDR Bit Definitions	13-28
13-18	MOCR Bit Definitions.....	13-29
13-19	MICR Bit Definitions.....	13-30
13-20	MOSR Bit Definitions	13-30
13-21	MISR Bit Definitions	13-31
13-22	MODR Bit Definitions.....	13-31
13-23	Address Mapping for CODEC Registers	13-33
13-24	Register Mapping Summary	13-35
14-1	External Interface to CODEC.....	14-2
14-2	Supported Sampling Frequencies	14-6
14-3	SACR0 Bit Definitions.....	14-9
14-4	FIFO Write/Read table.....	14-10
14-5	TFTH and RFTH Values for DMA Servicing	14-10
14-6	SACR1 Bit Definitions.....	14-11
14-7	SASR0 Bit Definitions	14-12
14-8	SADIV Bit Definitions	14-13
14-9	SAICR Bit Definitions.....	14-13
14-10	SAIMR Bit Descriptions	14-14
14-11	SADR Bit Descriptions.....	14-14
14-12	Register Memory Map	14-16
15-1	Command Token Format.....	15-2
15-2	MMC Data Token Format	15-2
15-3	SPI Data Token Format.....	15-2
15-4	MMC Signal Description	15-6
15-5	MMC_STRPCL Bit Definitions.....	15-23
15-6	MMC_STAT Bit Definitions	15-23

15-7	MMC_CLK Bit Definitions	15-25
15-8	MMC_SPI Bit Definitions	15-25
15-9	MMC_CMDAT Bit Definitions	15-26
15-10	MMC_RESTO Bit Definitions	15-27
15-11	MMC_RDTO Register	15-28
15-12	MMC_BLKLEN Bit Definitions	15-29
15-13	MMC_NOB Bit Definitions	15-29
15-14	MMC_PRTBUF Bit Definitions	15-30
15-15	MMC_I_MASK Bit Definitions	15-30
15-16	MMC_I_REG Bit Definitions	15-32
15-17	MMC_CMD Register	15-33
15-18	Command Index Values	15-33
15-19	MMC_ARGH Bit Definitions	15-35
15-20	MMC_ARGL Bit Definitions	15-35
15-21	MMC_RES, FIFO Entry	15-36
15-22	MMC_RXFIFO, FIFO Entry	15-36
15-23	MMC_TXFIFO, FIFO Entry	15-37
15-24	MMC Controller Registers	15-37
16-1	SSP Serial Port I/O Signals	16-2
16-2	Programmable Serial Protocol (PSP) Parameters	16-12
16-3	SSCR0 Bit Definitions	16-19
16-4	SSCR1 Bit Definitions	16-21
16-5	SSPSP Bit Definitions	16-23
16-6	SSTO Bit Definitions	16-24
16-7	SSITR Bit Definitions	16-25
16-8	SSSR Bit Definitions	16-26
16-9	SDDR Bit Definitions	16-29
16-10	NSSP Register Address Map	16-29
17-1	UART Signal Descriptions	17-3
17-2	RBR Bit Definitions	17-10
17-3	THR Bit Definitions	17-10
17-4	DLL Bit Definitions	17-11
17-5	Divisor Latch Register High (DLH) Bit Definitions	17-11
17-6	IER Bit Definitions	17-12
17-7	Interrupt Conditions	17-13
17-8	IIR Bit Definitions	17-13
17-9	Interrupt Identification Register Decode	17-14
17-10	FCR Bit Definitions	17-15
17-11	FOR Bit Definitions	17-16
17-12	ABR Bit Definitions	17-17
17-13	ACR Bit Definitions	17-18
17-14	LCR Bit Definitions	17-18
17-15	LSR Bit Definitions	17-20
17-16	MCR Bit Definitions	17-22
17-17	MSR Bit Definitions	17-23
17-18	SCR Bit Definitions	17-24
17-19	ISR Bit Definitions	17-25
17-20	HWUART Register Locations	17-25

Revision History

Date	Revision	Description
March 2003	-001	Initial release
January 2004	-002	Replaced Table 12-13 Modified SSPFRM behavior Added note to Table 3-1 about supported frequencies Explained RDY_sync signal Correct GPIO numbers in Table 4-35 Changed behavior of GPIO pins out of reset Added Polling directions for I2C



This document applies to the Intel® PXA255 Processor (PXA255 processor). It is an application specific standard product (ASSP) that provides industry-leading MIPS/mW performance for handheld computing applications. The processor is a highly integrated system on a chip and includes a high-performance low-power Intel XScale® microarchitecture with a variety of different system peripherals.

The PXA255 processor is a 17x17mm 256-pin PBGA package configuration for high performance. The 17x17mm package has a 32-bit memory data bus and the full assortment of peripherals.

1.1 Intel XScale® Microarchitecture Features

The Intel XScale® microarchitecture provides these features:

- ARM* Architecture Version 5TE ISA compliant.
 - ARM* Thumb Instruction Support
 - ARM* DSP Enhanced Instructions
- Low power consumption and high performance
- Intel® Media Processing Technology
 - Enhanced 16-bit Multiply
 - 40-bit Accumulator
- 32-KByte Instruction Cache
- 32-KByte Data Cache
- 2-KByte Mini Data Cache
- 2-KByte Mini Instruction Cache
- Instruction and Data Memory Management Units
- Branch Target Buffer
- Debug Capability via JTAG Port

Refer to the *Intel XScale® Microarchitecture for the Intel® PXA255 Processor User's Manual* for more details.

1.2 System Integration Features

The processor integrates the Intel XScale® microarchitecture with this peripheral set:

- Memory Controller
- Clock and Power Controllers
- Universal Serial Bus Client

- DMA Controller
- LCD Controller
- AC97
- I²S
- MultiMediaCard
- FIR Communication
- Synchronous Serial Protocol Port
- I²C
- General Purpose I/O pins
- UARTs
- Real-Time Clock
- OS Timers
- Pulse Width Modulation
- Interrupt Control

1.2.1 Memory Controller

The Memory Controller provides glueless control signals with programmable timing for a wide assortment of memory-chip types and organizations. It supports up to four SDRAM partitions; six static chip selects for SRAM, SSRAM, Flash, ROM, SROM, and companion chips; support for two PCMCIA or Compact Flash slots

1.2.2 Clocks and Power Controllers

The processor functional blocks are driven by clocks that are derived from a 3.6864-MHz crystal and an optional 32.768-kHz crystal.

The 3.6864-MHz crystal drives a core Phase Locked Loop (PLL) and a Peripheral PLL. The PLLs produce selected clock frequencies to run particular functional blocks.

The 32.768-kHz crystal provides an optional clock source that must be selected after a hard reset. This clock drives the Real Time Clock (RTC), Power Management Controller, and Interrupt Controller. The 32.768-kHz crystal is on a separate power island to provide an active clock while the processor is in sleep mode.

Power management controls the transition between the turbo/run, idle, and sleep operating modes.

1.2.3 Universal Serial Bus (USB) Client

The USB Client Module is based on the Universal Serial Bus Specification, Revision 1.1. It supports up to sixteen endpoints and it provides an internally generated 48-MHz clock. The USB Device Controller provides FIFOs with DMA access to or from memory.

1.2.4 DMA Controller (DMAC)

The DMAC provides sixteen prioritized channels to service transfer requests from internal peripherals and up to two data transfer requests from external companion chips. The DMAC is descriptor-based to allow command chaining and looping constructs.

The DMAC operates in Flow-Through Mode when performing peripheral-to-memory, memory-to-peripheral, and memory-to-memory transfers. The DMAC is compatible with peripherals that use word, half-word, or byte data sizes.

1.2.5 LCD Controller

The LCD Controller supports both passive (DSTN) and active (TFT) flat-panel displays with a maximum supported resolution of 640x480x16-bit/pixel. An internal 256 entry palette expands 1, 2, 4, or 8-bit encoded pixels. Non-encoded 16-bit pixels bypass the palette.

Two dedicated DMA channels allow the LCD Controller to support single- and dual-panel displays. Passive monochrome mode supports up to 256 gray-scale levels and passive color mode supports up to 64K colors. Active color mode supports up to 64K colors.

1.2.6 AC97 Controller

The AC97 Controller supports AC97 Revision 2.0 CODECs. These CODECs can operate at sample rates up to 48 KHz. The controller provides independent 16-bit channels for Stereo PCM In, Stereo PCM Out, Modem In, Modem Out, and mono Microphone In. Each channel includes a FIFO that supports DMA access to memory.

1.2.7 Inter-IC Sound (I²S) Controller

The I²S Controller provides a serial link to standard I²S CODECs for digital stereo sound. It supports both the Normal-I²S and MSB-Justified I²S formats, and provides four signals for connection to an I²S CODEC. I²S Controller signals are multiplexed with AC97 Controller pins. The controller includes FIFOs that support DMA access to memory.

1.2.8 Multimedia Card (MMC) Controller

The MMC Controller provides a serial interface to standard memory cards. The controller supports up to two cards in either MMC or SPI modes with serial data transfers up to 20 Mbps. The MMC controller has FIFOs that support DMA access to and from memory.

1.2.9 Fast Infrared (FIR) Communication Port

The FIR Communication Port is based on the 4-Mbps Infrared Data Association (IrDA) Specification. It operates at half-duplex and has FIFOs with DMA access to memory. The FIR Communication Port uses the STUART's transmit and receive pins to directly connect to external IrDA LED transceivers.

1.2.10 Synchronous Serial Protocol Controller (SSPC)

The SSP Port provides a full-duplex synchronous serial interface that operates at bit rates from 7.2 kHz to 1.84 MHz. It supports National Semiconductor's Microwire*, Texas Instruments' Synchronous Serial Protocol*, and Motorola's Serial Peripheral Interface*. The SSPC has FIFOs with DMA access to memory.

1.2.11 Inter-Integrated Circuit (I²C) Bus Interface Unit

The I²C Bus Interface Unit provides a general purpose 2-pin serial communication port. The interface uses one pin for data and address and a second pin for clocking.

1.2.12 GPIO

Each GPIO pin can be individually programmed as an output or an input. Inputs can cause interrupts on rising or falling edges. Primary GPIO pins are not shared with peripherals while secondary GPIO pins have alternate functions which can be mapped to the peripherals.

1.2.13 UARTs

The processor provides three Universal Asynchronous Receiver/Transmitters. Each UART can be used as a slow infrared (SIR) transmitter/receiver based on the Infrared Data Association Serial Infrared (SIR) Physical Layer Link Specification.

1.2.13.1 Full Function UART (FFUART)

The FFUART baud rate is programmable up to 230 Kbps. The FFUART provides a complete set of modem control pins: nCTS, nRTS, nDSR, nDTR, nRI, and nDCD. It has FIFOs with DMA access to or from memory.

1.2.13.2 Bluetooth UART (BTUART)

The BTUART baud rate is programmable up to 921 Kbps. The BTUART provides a partial set of modem control pins: nCTS and nRTS. Other modem control pins can be implemented via GPIOs. The BTUART has FIFOs with DMA access to or from memory.

1.2.13.3 Standard UART (STUART)

The STUART baud rate is programmable up to 230 Kbps. The STUART does not provide any modem control pins. The modem control pins can be implemented via GPIOs. The STUART has FIFOs with DMA access to or from memory.

The STUART's transmit and receive pins are multiplexed with the Fast Infrared Communication Port.

1.2.13.4 Hardware UART (HWUART)

The PXA255 processor has a UART with hardware flow control. The HWUART provides a partial set of modem control pins: nCTS and nRTS. These modem control pins provide full hardware flow control. Other modem control pins can be implemented via GPIOs. The HWUART baud rate is programmable up to 921.6 Kbps.

The HWUART's pins are multiplexed with the PCMCIA control pins. Because of this, these HWUART pins operate at the same voltage as the memory bus. Also, since the PCMCIA pin nPWE is used for variable-latency input/output (VLIO), while using these pins for the HWUART, VLIO is unavailable. The HWUART pins are also available over the BTUART pins. When operating over the BTUART pins, the HWUART pins operate at the I/O voltage.

1.2.14 Real-Time Clock (RTC)

The Real-Time Clock can be clocked from either crystal. A system with a 32.768-KHz crystal consumes less power during Sleep versus a system using only the 3.6864-MHz crystal. This crystal can be removed to save system cost. The RTC provides a constant frequency output with a programmable alarm register. This alarm register can be used to wake up the processor from Sleep mode.

1.2.15 OS Timers

The OS Timers can be used to provide a 3.68-MHz reference counter with four match registers. These registers can be configured to cause interrupts when equal to the reference counter. One match register can be used to cause a watchdog reset.

1.2.16 Pulse-Width Modulator (PWM)

The PWM has two independent outputs that can be programmed to drive two GPIOs. The frequency and duty cycle are independently programmable. For example, one GPIO can control LCD contrast and the other LCD brightness.

1.2.17 Interrupt Control

The Interrupt Controller directs the processor interrupts into the core's IRQ and FIQ inputs. The Mask Register enables or disables individual interrupt sources.

1.2.18 Network Synchronous Serial Protocol Port

The PXA255 processor has an SSP port optimized for connection to other network ASICs. This NSSP adds a Hi-Z function to TXD, the ability to control when Hi-Z occurs, and swapping the TXD/RXD pins.

This port is not multiplexed with other interfaces.



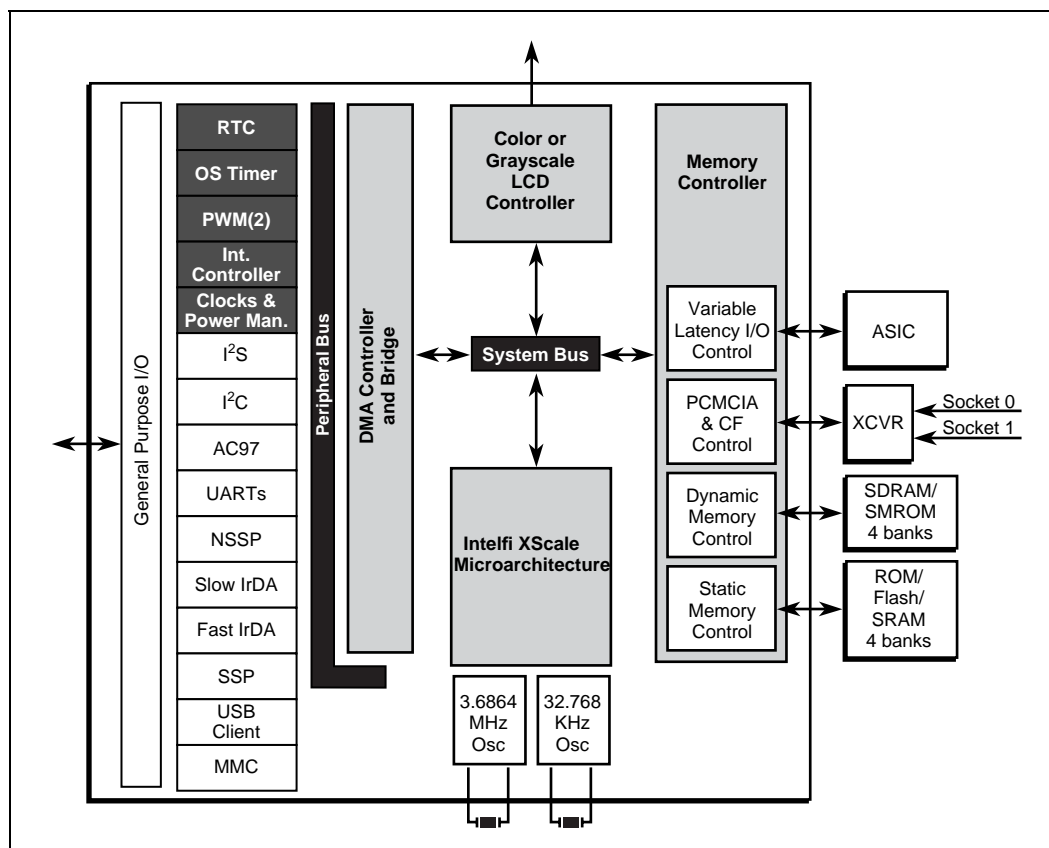
2.1 Overview

The PXA255 processor is an integrated system-on-a-chip microprocessor for high performance, low power portable handheld and handset devices. It incorporates the Intel XScale® microarchitecture with on-the-fly frequency scaling and sophisticated power management to provide industry leading MIPS/mW performance. The PXA255 processor is ARM* Architecture Version 5TE instruction set compliant (excluding floating point instructions) and follows the ARM* programmer's model.

The processor's memory interface supports a variety of memory types to allow design flexibility. Support for the connection of two companion chips permits a glueless interface to external devices. An integrated LCD display controller provides support for displays up to 640x480 pixels, and permits 1-, 2-, 4-, and 8-bit grayscale and 8- or 16-bit color pixels. A 256 entry/512 byte palette RAM provides flexibility in color mapping.

A set of serial devices and general system resources provide computational and connectivity capability for a variety of applications. Refer to [Figure 2-1](#) for an overview of the microprocessor system architecture.

Figure 2-1. Block Diagram



2.2 Intel XScale® Microarchitecture Implementation Options

The processor incorporates the Intel XScale® microarchitecture which is described in a separate document. This core contains implementation options which an Application Specific Standard Product (ASSP) may elect to implement or omit. This section describes those options.

Most of these options are specified within the coprocessor register space. The processor does not implement any coprocessor registers beyond those defined in the Intel XScale® microarchitecture. The coprocessor registers which are ASSP specific, as stated in the *Intel XScale® Microarchitecture for the Intel® PXA255 Processor User's Manual*, order number 278793, are defined in the following sections.

2.2.1 Coprocessor 7 Register 4 - PSFS Bit

Bit 5 of this register is defined as the Power Source Fault Status bit or PSFS bit. This bit is set when either nVDD_FAULT or nBATT_FAULT pins are asserted and the Imprecise Data Abort Enable (IDAE) bit in the Power Manager Control Register (PMCR) is set.

This is a read-only register. Ignore reads from reserved bits.

Table 2-1. CPU Core Fault Register Bit Definitions

	Coprocessor 7 Register 4										CPU Core Fault										System Architecture												
Bit	31	30	29	28	27	26	25	24	23	22	21	20	19	18	17	16	15	14	13	12	11	10	9	8	7	6	5	4	3	2	1	0	
											Reserved										PSFS		Reserved										
Reset	0	0	0	0	0	0	0	0	0	0	0	0	0	0	0	0	0	0	0	0	0	0	0	0	0	0	0	0	0	0	0	0	0
	[31:6]		—										Reserved. Read undefined.																				
	5		PSFS										Power Source Fault Status 0 = nVDD_FAULT or nBATT_FAULT pin has not been asserted since it was last cleared by a reset or the CPU. 1 = nVDD_FAULT or nBATT_FAULT pin was asserted and PMCR[IDAE] = 1. Read only, write ignored. Cleared by Hardware, Watchdog, and GPIO Resets.																				
	[4:0]		—										Reserved. Read undefined.																				

2.2.2 Coprocessor 14 Registers 0-3 - Performance Monitoring

The processor does not define any performance monitoring features beyond those called out in the *Intel XScale® Microarchitecture for the Intel® PXA255 Processor User's Manual*, order number 278793. The interrupt generated by performance monitoring events is defined in [Chapter 4, “System Integration Unit”](#). The ASSP defined performance monitoring events (events 0x10 - 0x17), defined through the PMNC register are reserved for the processor.

2.2.3 Coprocessor 14 Register 6 and 7- Clock and Power Management

These registers allow software to use the clocking and power management modes. The valid operations are described in [Table 3-23, “Coprocessor 14 Clock and Power Management Summary”](#) on page 3-39.

2.2.4 Coprocessor 15 Register 0 - ID Register Definition

This register may be read by software to determine the device type and revision. The contents of this register for the Intel® PXA255 Processor is defined in the table below. Combined, this register must read as 0x6905 2X0R where R = 0b0000 for the first stepping and then increments for subsequent steppings, and X is the revision of the Intel XScale® microarchitecture present. Please see the Intel Developer Homepage at <http://developer.intel.com> for updates.

This is a read-only register.

Table 2-2. ID Bit Definitions

	CP15 Register 0										ID					CP15																	
Bit	31	30	29	28	27	26	25	24	23	22	21	20	19	18	17	16	15	14	13	12	11	10	9	8	7	6	5	4	3	2	1	0	
	Implementation Trademark										Architecture Version					Core generation	Core Revision	Product Number					Product Revision										
Reset	0	1	1	0	1	0	0	1	0	0	0	0	0	1	0	1	0	0	1	0	0	0	0	1	0	0	0	0	0	0	0	0	0
	[31:24]	Implementation Trademark	Implementation trademark. 0x69 – Intel® Corporation.																														
	[23:16]	Architecture Version	ARM* Architecture version of the core. 0x05 – ARM* Architecture version 5TE																														
	[15:13]	Core Generation	This field is updated when new sets of features are added to the core. This allows software that is dependant on core features to target a specific core. Core generation: 0b001 – Intel XScale® core																														
	[12:10]	Core Revision	This field is updated each time a core is revised. Differences may include errata, software workarounds, etc. Core revision: 0b000 – First version of the core. 0b010 – Third version of the core. 0b011 – Fourth version of the core.																														
	[9:4]	Product Number	Product Number 0b010000 – PXA255 processor																														
	[3:0]	Product Revision	This field tracks the different steppings for each ASSP. Product Revision 0b0110 – A0 Stepping																														

Table 2-3. PXA255 Processor ID Values

Stepping	ARM ID	JTAG ID
A0	0x6905_2D06	0x6926_4013

2.2.5 Coprocessor 15 Register 1 - P-Bit

Bit 1 of this register is defined as the Page Table Memory Attribute bit or P-bit. It is not implemented in the processor and must be written as zero. Similarly, the P-bit in the page table descriptor in the MMU is not implemented and must be written to zero.

2.3 I/O Ordering

The processor uses queues that accept memory requests from the three internal masters: core, DMA Controller, and LCD Controller. Operations issued by a master are completed in the order they were received. Operations from one master may be interrupted by operations from another master. The processor does not provide a method to regulate the order of operations from different masters.

Loads and stores to internal addresses are generally completed more quickly than those issued to external addresses. The difference in completion time allows one operation to be received before another operation, but completed after the second operation.

In the following sequence, the store to the address in r4 is completed before the store to the address in r2 because the first store waits for memory in the queue while the second is not delayed.

```
str r1, [r2]      ; store to external memory address [r2].
str r3, [r4]      ; store to internal (on-chip) memory address [r4].
```

If the two stores are control operations that must be completed in order, the recommended sequence is to insert a load to an unbuffered, uncached memory page followed by an operation that depends on data from the load:

```
str r1, [r2]      ; first store issued
ldr r5, [r6]      ; load from external unbuffered, uncached address ([r2] if possible)
mov r5, r5        ; nop stalls until r5 is loaded
str r3, [r4]      ; second store completes in program order
```

2.4 Semaphores

The Swap (SWP) and Swap Byte (SWPB) instructions, as described in the ARM* Architecture reference, may be used for semaphore manipulation. No on-chip master or process can access a memory location between the load and store portion of a SWP or SWPB to the same location.

Note: Semaphore coherency may be interrupted because an external companion chip that uses the MBREQ/MBGNT handshake can take ownership of the bus during a locked sequence. To allow semaphore manipulation by external companion chips, the software must manage coherency.

2.5 Interrupts

The interrupt controller is described in detail in [Section 4.2, “Interrupt Controller”](#). All on-chip interrupts are enabled, masked, and routed to the core FIQ or IRQ. Each interrupt is enabled or disabled at the source through an interrupt mask bit. Generally, all interrupt bits in a unit are ORed together and present a single value to the interrupt controller.

Each interrupt goes through the Interrupt Controller Mask Register and then the Interrupt Controller Level Register directs the interrupt into either the IRQ or FIQ. If an interrupt is taken, the software may read the Interrupt Controller Pending Register to identify the source. After it identifies the interrupt source, software is responsible for servicing the interrupt and clearing it in the source unit before exiting the service routine.

Note: Clearing interrupts may take a delay. To allow the status bit to clear before returning from an interrupt service routine (ISR), clear the interrupt early in the routine.

2.6 Reset

The processor can be reset in any of three ways: Hardware, Watchdog, and GPIO resets. Each is described in more detail in [Section 3.4, “Resets and Power Modes”](#) on page 3-6.

- Hardware reset results from asserting the nRESET pin and forces all units into reset state.
- Watchdog reset results from a time-out in the OS Timer and may be used to recover from runaway code. Watchdog reset is disabled by default and must be enabled by software.
- GPIO reset is a “soft reset” that is less destructive than Hardware and Watchdog resets.

Each type of reset affects the state of the processor pins. [Table 2-4](#) shows each pin’s state after each type of reset.

Leaving Sleep Mode causes a Sleep Mode reset. Unlike other resets, Sleep Mode resets do not change the state of the pins.

The Reset Controller Status Register (RCSR) contains information on the type of reset, including Sleep Mode resets.

Table 2-4. Effect of Each Type of Reset on Internal Register State (Sheet 1 of 2)

Unit	Sleep Mode	GPIO Reset	Watchdog Reset	Hard Reset
Core	reset	reset	reset	reset
Memory Controller	reset	preserved	reset	reset
LCD Controller	reset	reset	reset	reset
DMA Controller	reset	reset	reset	reset
Full Function UART	reset	reset	reset	reset
Bluetooth UART	reset	reset	reset	reset
Standard UART	reset	reset	reset	reset
Hardware UART	reset	reset	reset	reset
I ² C	reset	reset	reset	reset
I ² S	reset	reset	reset	reset
AC97	reset	reset	reset	reset
USB	reset	reset	reset	reset
ICP	reset	reset	reset	reset
RTC	preserved	preserved	reset (except RTTR)	reset
OS Timer	reset	reset	reset	reset

Table 2-4. Effect of Each Type of Reset on Internal Register State (Sheet 2 of 2)

Unit	Sleep Mode	GPIO Reset	Watchdog Reset	Hard Reset
PWM	reset	reset	reset	reset
Interrupt Controller	reset	reset	reset	reset
GPIO	reset	reset	reset	reset
Power Manager	preserved	reset	reset	reset
SSP	reset	reset	reset	reset
NSSP	reset	reset	reset	reset
MMC	reset	reset	reset	reset
Clocks	preserved (except CP14)	preserved (except CP14)	reset (except OSCC)	reset

2.7 Internal Registers

All internal registers are mapped in physical memory space on 32-bit address boundaries. Use word access loads and stores to access internal registers. Internal register space must be mapped as non-cacheable.

Byte and halfword accesses to internal registers are not permitted and yield unpredictable results.

Register space where a register is not specifically mapped is defined as reserved space. Reading or writing reserved space causes unpredictable results.

The processor does not use all register bit locations. The unused bit locations are marked reserved and are allocated for future use. Write reserved bit locations as zeros. Ignore the values of these bits during reads because they are unpredictable.

2.8 Selecting Peripherals vs. General Purpose I/O

Most peripherals connect to the external pins through GPIOs. To use a peripheral connected through a GPIO, the software must first configure the GPIO so that the desired peripheral is connected to its pins. The default state of the pins is GPIO inputs.

To allocate a peripheral to a pin, disable the GPIO function for that pin, then map the peripheral function onto the pin by selecting the proper alternate function for the pin. Some GPIOs have multiple alternate functions. After a function is selected for a pin, all other functions are excluded. For this reason some peripherals are mapped to multiple GPIOs, as shown in [Section 4.1.2, “GPIO Alternate Functions” on page 4-2](#). Multiple mapping does not mean multiple instances of a peripheral - only that the peripheral is connected to the pins in several ways.

2.9 Power on Reset and Boot Operation

Before the device that uses the processor is powered on, the system must assert nRESET and nTRST. To allow the internal clocks to stabilize, all power supplies must be stable for a specified period before nRESET or nTRST are deasserted. When nRESET is asserted, nRESET_OUT is driven active and can be used to reset other devices in the system. For additional information, see the Intel® PXA255 Processor *Design Guide*.

When the system deasserts nRESET and nTRST, the processor deasserts nRESET_OUT a specified time later and the device attempts to boot from physical address location 0x0000_0000.

The BOOT_SEL[2:0] pins are sampled when reset is deasserted and let the user specify the type and width of memory device from which the processor attempts to boot. The software can read the pins as described in [Section 6.10.2, “Boot Time Defaults” on page 6-74](#).

2.10 Power Management

The processor offers a number of modes to manage power in the system. These range widely in level of power savings and level of functionality. The following modes are supported:

- Turbo Mode: low latency (nanoseconds) switch between two preprogrammed frequencies.
- Run Mode: normal full function mode.
- Idle Mode: core clocks are stopped - resume through an interrupt.
- Sleep Mode: low power mode that does not save state but keeps I/Os powered. The RTC, Power Manager, and Clock modules are saved, except for Coprocessor 14.

Note: In low power modes, ensure that input pins are not floating and output pins are not driven by an external device that opposes how the processor is driving that pin. In either case, the system will draw excess current. Current draw that varies in sleep mode or varies greatly between parts is typically a sign of floating pins.

[Section 3.4, “Resets and Power Modes”](#) describes the modes in detail.

2.11 Pin List

Some of the processor pins can be connected to multiple signals. The signal connected to the pin is determined by the GPIO Alternate Function Select Registers (GAFRn m). Some signals can go to multiple pins. The signal must be routed to only one pin by using the GAFRn m registers. Because this is true, some pins are listed twice, once in each unit that can use the pin.

Table 2-5. Processor Pin Types

Type	Function
IC	CMOS input
OC	CMOS output
OCZ	CMOS output, Hi-Z
ICOCZ	CMOS bidirectional, Hi-Z

Table 2-5. Processor Pin Types

Type	Function
IA	Analog Input
OA	Analog output
IAOA	Analog bidirectional
SUP	Supply pin (either VCC or VSS)

Table 2-6 describes the PXA255 processor pins.

Table 2-6. Pin & Signal Descriptions for the PXA255 Processor (Sheet 1 of 9)

Pin Name	Type	Signal Descriptions	Reset State	Sleep State
Memory Controller Pins				
MA[25:0]	OCZ	Memory address bus. (output) Signals the address requested for memory accesses.	Driven Low	Driven Low
MD[15:0]	ICOCZ	Memory data bus. (input/output) Lower 16 bits of the data bus.	Hi-Z	Driven Low
MD[31:16]	ICOCZ	Memory data bus. (input/output) Used for 32-bit memories.	Hi-Z	Driven Low
nOE	OCZ	Memory output enable. (output) Connect to the output enables of memory devices to control data bus drivers.	Driven High	Note [4]
nWE	OCZ	Memory write enable. (output) Connect to the write enables of memory devices.	Driven High	Note [4]
nSDCS[3:0]	OCZ	SDRAM CS for banks 3 through 0. (output) Connect to the chip select (CS) pins for SDRAM. For the PXA255 processor nSDCS0 can be Hi-Z, nSDCS1-3 cannot.	Driven High	Note [5]
DQM[3:0]	OCZ	SDRAM DQM for data bytes 3 through 0. (output) Connect to the data output mask enables (DQM) for SDRAM.	Driven Low	Driven Low
nSDRAS	OCZ	SDRAM RAS. (output) Connect to the row address strobe (RAS) pins for all banks of SDRAM.	Driven High	Driven High
nSDCAS	OCZ	SDRAM CAS. (output) Connect to the column address strobe (CAS) pins for all banks of SDRAM.	Driven High	Driven High
SDCKE[0]	OC	Synchronous Static Memory clock enable. (output) Connect to the CKE pins of SMROM. The memory controller provides control register bits for deassertion.	Driven Low	Driven Low
SDCKE[1]	OC	SDRAM and/or Synchronous Static Memory clock enable. (output) Connect to the clock enable pins of SDRAM. It is deasserted during sleep. SDCKE[1] is always deasserted upon reset. The memory controller provides control register bits for deassertion.	Driven Low	Driven Low
SDCLK[0]	OC	Synchronous Static Memory clock. (output) Connect to the clock (CLK) pins of SMROM. It is driven by either the internal memory controller clock, or the internal memory controller clock divided by 2. At reset, all clock pins are free running at the divide by 2 clock speed and may be turned off via free running control register bits in the memory controller. The memory controller also provides control register bits for clock division and deassertion of each SDCLK pin. SDCLK[0] control register assertion bit defaults to on if the boot-time static memory bank 0 is configured for SMROM.		

Table 2-6. Pin & Signal Descriptions for the PXA255 Processor (Sheet 2 of 9)

Pin Name	Type	Signal Descriptions	Reset State	Sleep State
SDCLK[1]	OCZ	SDRAM Clocks (output) Connect SDCLK[1] and SDCLK[2] to the clock pins of SDRAM in bank pairs 0/1 and 2/3, respectively. They are driven by either the internal memory controller clock, or the internal memory controller clock divided by 2. At reset, all clock pins are free running at the divide by 2 clock speed and may be turned off via free running control register bits in the memory controller. The memory controller also provides control register bits for clock division and deassertion of each SDCLK pin. SDCLK[2:1] control register assertion bits are always deasserted upon reset.	Driven Low	Driven Low
SDCLK[2]	OC		Driven Low	Driven Low
nCS[5]/ GPIO[33]	ICOCZ	Static chip selects. (output) Chip selects to static memory devices such as ROM and Flash. Individually programmable in the memory configuration registers. nCS[5:0] can be used with variable latency I/O devices.	Pulled High - Note[1]	Note [4]
nCS[4]/ GPIO[80]	ICOCZ			
nCS[3]/ GPIO[79]	ICOCZ			
nCS[2]/ GPIO[78]	ICOCZ			
nCS[1]/ GPIO[15]	ICOCZ			
nCS[0]	ICOCZ	Static chip select 0. (output) Chip select for the boot memory. nCS[0] is a dedicated pin.	Driven High	Note [4]
RD/nWR	OCZ	Read/Write for static interface. (output) Signals that the current transaction is a read or write.	Driven Low	Holds last state
RDY/ GPIO[18]	ICOCZ	Variable Latency I/O Ready pin. (input) Notifies the memory controller when an external bus device is ready to transfer data.	Pulled High - Note[1]	Note [3]
L_DD[8]/ GPIO[66]	ICOCZ	LCD display data. (output) Transfers pixel information from the LCD Controller to the external LCD panel. Memory Controller alternate bus master request. (input) Allows an external device to request the system bus from the Memory Controller.	Pulled High - Note[1]	Note [3]
L_DD[15]/ GPIO[73]	ICOCZ	LCD display data. (output) Transfers pixel information from the LCD Controller to the external LCD panel. Memory Controller grant. (output) Notifies an external device that it has been granted the system bus.	Pulled High - Note[1]	Note [3]
MBGNT/ GP[13]	ICOCZ	Memory Controller grant. (output) Notifies an external device that it has been granted the system bus.	Pulled High - Note[1]	Note [3]
MBREQ/ GP[14]	ICOCZ	Memory Controller alternate bus master request. (input) Allows an external device to request the system bus from the Memory Controller.	Pulled High - Note[1]	Note [3]
PCMCIA/CF Control Pins				
nPOE/ GPIO[48]	ICOCZ	PCMCIA output enable. (output) Reads from PCMCIA memory and to PCMCIA attribute space.	Pulled High - Note[1]	Note [5]
nPWE/ GPIO[49]	ICOCZ	PCMCIA write enable. (output) Performs writes to PCMCIA memory and to PCMCIA attribute space. Also used as the write enable signal for Variable Latency I/O.	Pulled High - Note[1]	Note [5]

Table 2-6. Pin & Signal Descriptions for the PXA255 Processor (Sheet 3 of 9)

Pin Name	Type	Signal Descriptions	Reset State	Sleep State
nPIOW/ GPIO[51]	ICOCZ	PCMCIA I/O write. (output) Performs write transactions to PCMCIA I/O space.	Pulled High - Note[1]	Note [5]
nPIOR/ GPIO[50]	ICOCZ	PCMCIA I/O read. (output) Performs read transactions from PCMCIA I/O space.	Pulled High - Note[1]	Note [5]
nPCE[2]/ GPIO[53]	ICOCZ	PCMCIA card enable 2. (output) Selects a PCMCIA card. nPCE[2] enables the high byte lane and nPCE[1] enables the low byte lane. MMC clock. (output) Clock signal for the MMC Controller.	Pulled High - Note[1]	Note [5]
nPCE[1]/ GPIO[52]	ICOCZ	PCMCIA card enable 1. (outputs) Selects a PCMCIA card. nPCE[2] enables the high byte lane and nPCE[1] enables the low byte lane.	Pulled High - Note[1]	Note [5]
nIOIS16/ GPIO[57]	ICOCZ	IO Select 16. (input) Acknowledge from the PCMCIA card that the current address is a valid 16 bit wide I/O address.	Pulled High - Note[1]	Note [5]
nPWAIT/ GPIO[56]	ICOCZ	PCMCIA wait. (input) Driven low by the PCMCIA card to extend the length of the transfers to/from the PXA255 processor.	Pulled High - Note[1]	Note [5]
PSKTSEL/ GPIO[54]	ICOCZ	PCMCIA socket select. (output) Used by external steering logic to route control, address, and data signals to one of the two PCMCIA sockets. When PSKTSEL is low, socket zero is selected. When PSKTSEL is high, socket one is selected. Has the same timing as the address bus.	Pulled High - Note[1]	Note [5]
nPREG/ GPIO[55]	ICOCZ	PCMCIA Register select. (output) Indicates that the target address on a memory transaction is attribute space. Has the same timing as the address bus.	Pulled High - Note[1]	Note [5]
LCD Controller Pins				
L_DD(7:0)/ GPIO[65:58]	ICOCZ	LCD display data. (outputs) Transfers pixel information from the LCD Controller to the external LCD panel.	Pulled High - Note[1]	Note [3]
L_DD[8]/ GPIO[66]	ICOCZ	LCD display data. (output) Transfers pixel information from the LCD Controller to the external LCD panel. Memory Controller alternate bus master request. (input) Allows an external device to request the system bus from the Memory Controller.	Pulled High - Note[1]	Note [3]
L_DD[9]/ GPIO[67]	ICOCZ	LCD display data. (output) Transfers pixel information from the LCD Controller to the external LCD panel. MMC chip select 0. (output) Chip select 0 for the MMC Controller.	Pulled High - Note[1]	Note [3]
L_DD[10]/ GPIO[68]	ICOCZ	LCD display data. (output) Transfers pixel information from the LCD Controller to the external LCD panel. MMC chip select 1. (output) Chip select 1 for the MMC Controller.	Pulled High - Note[1]	Note [3]
L_DD[11]/ GPIO[69]	ICOCZ	LCD display data. (output) Transfers pixel information from the LCD Controller to the external LCD panel. MMC clock. (output) Clock for the MMC Controller.	Pulled High - Note[1]	Note [3]
L_DD[12]/ GPIO[70]	ICOCZ	LCD display data. (output) Transfers pixel information from the LCD Controller to the external LCD panel. RTC clock. (output) Real time clock 1 Hz tick.	Pulled High - Note[1]	Note [3]

Table 2-6. Pin & Signal Descriptions for the PXA255 Processor (Sheet 4 of 9)

Pin Name	Type	Signal Descriptions	Reset State	Sleep State
L_DD[13]/ GPIO[71]	ICOCZ	LCD display data. (output) Transfers pixel information from the LCD Controller to the external LCD panel. 3.6864 MHz clock. (output) Output from 3.6864 MHz oscillator.	Pulled High - Note[1]	Note [3]
L_DD[14]/ GPIO[72]	ICOCZ	LCD display data. (output) Transfers pixel information from the LCD Controller to the external LCD panel. 32 kHz clock. (output) Output from the 32 kHz oscillator.	Pulled High - Note[1]	Note [3]
L_DD[15]/ GPIO[73]	ICOCZ	LCD display data. (output) Transfers pixel information from the LCD Controller to the external LCD panel. Memory Controller grant. (output) Notifies an external device it has been granted the system bus.	Pulled High - Note[1]	Note [3]
L_FCLK/ GPIO[74]	ICOCZ	LCD frame clock. (output) Indicates the start of a new frame. Also referred to as Vsync.	Pulled High - Note[1]	Note [3]
L_LCLK/ GPIO[75]	ICOCZ	LCD line clock. (output) Indicates the start of a new line. Also referred to as Hsync.	Pulled High - Note[1]	Note [3]
L_PCLK/ GPIO[76]	ICOCZ	LCD pixel clock. (output) Clocks valid pixel data into the LCD's line shift buffer.	Pulled High - Note[1]	Note [3]
L_BIAS/ GPIO[77]	ICOCZ	AC bias drive. (output) Notifies the panel to change the polarity for some passive LCD panel. For TFT panels, this signal indicates valid pixel data.	Pulled High - Note[1]	Note [3]
Full Function UART Pins				
FFRXD/ GPIO[34]	ICOCZ	Full Function UART Receive. (input) MMC chip select 0. (output) Chip select 0 for the MMC Controller.	Pulled High - Note[1]	Note [3]
FFTXD/ GPIO[39]	ICOCZ	Full Function UART Transmit. (output) MMC chip select 1. (output) Chip select 1 for the MMC Controller.	Pulled High - Note[1]	Note [3]
FFCTS/ GPIO[35]	ICOCZ	Full Function UART Clear-to-Send. (input)	Pulled High - Note[1]	Note [3]
FFDCD/ GPIO[36]	ICOCZ	Full Function UART Data-Carrier-Detect. (input)	Pulled High - Note[1]	Note [3]
FFDSR/ GPIO[37]	ICOCZ	Full Function UART Data-Set-Ready. (input)	Pulled High - Note[1]	Note [3]
FFRI/ GPIO[38]	ICOCZ	Full Function UART Ring Indicator. (input)	Pulled High - Note[1]	Note [3]
FFDTR/ GPIO[40]	ICOCZ	Full Function UART Data-Terminal-Ready. (output)	Pulled High - Note[1]	Note [3]
FFRTS/ GPIO[41]	ICOCZ	Full Function UART Request-to-Send. (output)	Pulled High - Note[1]	Note [3]
Bluetooth UART Pins				
BTRXD/ GPIO[42]	ICOCZ	Bluetooth UART Receive. (input)	Pulled High - Note[1]	Note [3]
BTTXD/ GPIO[43]	ICOCZ	Bluetooth UART Transmit. (output)	Pulled High - Note[1]	Note [3]

Table 2-6. Pin & Signal Descriptions for the PXA255 Processor (Sheet 5 of 9)

Pin Name	Type	Signal Descriptions	Reset State	Sleep State
BTCTS/ GPIO[44]	ICOCZ	Bluetooth UART Clear-to-Send. (input)	Pulled High - Note[1]	Note [3]
BTRTS/ GPIO[45]	ICOCZ	Bluetooth UART Data-Terminal-Ready. (output)	Pulled High - Note[1]	Note [3]
Standard UART and ICP Pins				
IRRXD/ GPIO[46]	ICOCZ	IrDA receive signal. (input) Receive pin for the FIR function. Standard UART receive. (input)	Pulled High - Note[1]	Note [3]
IRTXD/ GPIO[47]	ICOCZ	IrDA transmit signal. (output) Transmit pin for the Standard UART, SIR and FIR functions. Standard UART transmit. (output)	Pulled High - Note[1]	Note [3]
HWUART Pins				
HWTXD/ GPIO[48]	ICOCZ	Hardware UART Transmit Data.	Pulled High Note [1]	Note [3]
HWRXD/ GPIO[49]	ICOCZ	Hardware UART Receive Data.	Pulled High Note [1]	Note [3]
HWCTS/ GPIO[50]	ICOCZ	Hardware UART Clear-To-Send.	Pulled High Note [1]	Note [3]
HWRTS/ GPIO[51]	ICOCZ	Hardware UART Request-to-Send.	Pulled High Note [1]	Note [3]
MMC Controller Pins				
MMCMD	ICOCZ	Multimedia Card Command. (bidirectional)	Hi-Z	Hi-Z
MMDAT	ICOCZ	Multimedia Card Data. (bidirectional)	Hi-Z	Hi-Z
nPCE[2]/ GPIO[53]	ICOCZ	PCMCIA card enable 2. (outputs) Selects a PCMCIA card. Bit one enables the high byte lane and bit zero enables the low byte lane. MMC clock. (output) Clock signal for the MMC Controller.	Pulled High - Note[1]	Note [5]
L_DD[9]/ GPIO[67]	ICOCZ	LCD display data. (output) Transfers pixel information from the LCD Controller to the external LCD panel. MMC chip select 0. (output) Chip select 0 for the MMC Controller.	Pulled High - Note[1]	Note [3]
L_DD[10]/ GPIO[68]	ICOCZ	LCD display data. (output) Transfers pixel information from the LCD Controller to the external LCD panel. MMC chip select 1. (output) Chip select 1 for the MMC Controller.	Pulled High - Note[1]	Note [3]
L_DD[11]/ GPIO[69]	ICOCZ	LCD display data. (output) Transfers pixel information from the LCD Controller to the external LCD panel. MMC clock. (output) Clock for the MMC Controller.	Pulled High - Note[1]	Note [3]
FFRXD/ GPIO[34]	ICOCZ	Full Function UART Receive. (input) MMC chip select 0. (output) Chip select 0 for the MMC Controller.	Pulled High - Note[1]	Note [3]
FFTXD/ GPIO[39]	ICOCZ	Full Function UART Transmit. (output) MMC chip select 1. (output) Chip select 1 for the MMC Controller.	Pulled High - Note[1]	Note [3]

Table 2-6. Pin & Signal Descriptions for the PXA255 Processor (Sheet 6 of 9)

Pin Name	Type	Signal Descriptions	Reset State	Sleep State
MMCCLK/ GP[6]	ICOCZ	MMC clock. (output) Clock signal for the MMC Controller.	Pulled High - Note[1]	Note [3]
MMCCS0/ GP[8]	ICOCZ	MMC chip select 0. (output) Chip select 0 for the MMC Controller.	Pulled High - Note[1]	Note [3]
MMCCS1/ GP[9]	ICOCZ	MMC chip select 1. (output) Chip select 1 for the MMC Controller.	Pulled High - Note[1]	Note [3]
SSP Pins				
SSPSCLK/ GPIO[23]	ICOCZ	Synchronous Serial Port Clock. (output)	Pulled High - Note[1]	Note [3]
SSPSFRM/ GPIO[24]	ICOCZ	Synchronous Serial Port Frame. (output)	Pulled High - Note[1]	Note [3]
SSPTXD/ GPIO[25]	ICOCZ	Synchronous Serial Port Transmit. (output)	Pulled High - Note[1]	Note [3]
SSPRXD/ GPIO[26]	ICOCZ	Synchronous Serial Port Receive. (input)	Pulled High - Note[1]	Note [3]
SSPEXTCLK/ GPIO[27]	ICOCZ	Synchronous Serial Port External Clock. (input)	Pulled High - Note[1]	Note [3]
Network SSP pins				
NSSPSCLK/ GPIO[81]	ICOCZ	Network Synchronous Serial Port Clock.	Pulled High Note [1]	Note [3]
NSSPSFRM/ GPIO[82]	ICOCZ	Network Synchronous Serial Port Frame Signal.	Pulled High Note [1]	Note [3]
NSSPTXD/ GPIO[83]	ICOCZ	Network Synchronous Serial Port Transmit.	Pulled High Note [1]	Note [3]
NSSPRXD/ GPIO[84]	ICOCZ	Network Synchronous Serial Port Receive.	Pulled High Note [1]	Note [3]
USB Client Pins				
USB P	IAOAZ	USB Client Positive. (bidirectional)	Hi-Z	Hi-Z
USB N	IAOAZ	USB Client Negative pin. (bidirectional)	Hi-Z	Hi-Z
AC97 Controller and I²S Controller Pins				
BITCLK/ GPIO[28]	ICOCZ	AC97 Audio Port bit clock. (input) AC97 clock is generated by Codec 0 and fed into the PXA255 processor and Codec 1. AC97 Audio Port bit clock. (output) AC97 clock is generated by the PXA255 processor. I²S bit clock. (input) I ² S clock is generated externally and fed into PXA255 processor. I²S bit clock. (output) I ² S clock is generated by the PXA255 processor.	Pulled High - Note[1]	Note [3]
SDATA_IN0/ GPIO[29]	ICOCZ	AC97 Audio Port data in. (input) Input line for Codec 0. I²S data in. (input) Input line for the I ² S Controller.	Pulled High - Note[1]	Note [3]
SDATA_IN1/ GPIO[32]	ICOCZ	AC97 Audio Port data in. (input) Input line for Codec 1. I²S system clock. (output) System clock from I ² S Controller.	Pulled High - Note[1]	Note [3]

Table 2-6. Pin & Signal Descriptions for the PXA255 Processor (Sheet 7 of 9)

Pin Name	Type	Signal Descriptions	Reset State	Sleep State
SDATA_OUT/ GPIO[30]	ICOCZ	AC97 Audio Port data out. (output) Output from the PXA255 processor to Codecs 0 and 1. I²S data out. (output) Output line for the I ² S Controller.	Pulled High - Note[1]	Note [3]
SYNC/ GPIO[31]	ICOCZ	AC97 Audio Port sync signal. (output) Frame sync signal for the AC97 Controller. I²S sync. (output) Frame sync signal for the I ² S Controller.	Pulled High - Note[1]	Note [3]
nACRESET	OC	AC97 Audio Port reset signal. (output)	Driven Low	Driven Low
I²C Controller Pins				
SCL	ICOCZ	I²C clock. (bidirectional)	Hi-Z	Hi-Z
SDA	ICOCZ	I²C data. (bidirectional).	Hi-Z	Hi-Z
PWM Pins				
PWM[1:0]/ GPIO[17:16]	ICOCZ	Pulse Width Modulation channels 0 and 1. (outputs)	Pulled High - Note[1]	Note [3]
DMA Pins				
DREQ[1:0]/ GPIO[19:20]	ICOCZ	DMA Request. (input) Notifies the DMA Controller that an external device requires a DMA transaction. DREQ[1] is GPIO[19]. DREQ[0] is GPIO[20].	Pulled High - Note[1]	Note [3]
GPIO Pins				
GPIO[1:0]	ICOCZ	General Purpose I/O. Wakeup sources on both rising and falling edges on nRESET.	Pulled High Note [1]	Note [3]
GPIO[14:2]	ICOCZ	General Purpose I/O. More wakeup sources for sleep mode.	Pulled High Note [1]	Note [3]
GPIO[22:21]	ICOCZ	General Purpose I/O. Additional General Purpose I/O pins.	Pulled High Note [1]	Note [3]
Crystal and Clock Pins				
PXTAL	IA	3.6864 Mhz crystal input. No external caps are required.	Note [2]	Note [2]
PEXTAL	OA	3.6864 Mhz crystal output. No external caps are required.	Note [2]	Note [2]
TXTAL	IA	32 KHz crystal input. No external caps are required.	Note [2]	Note [2]
TEXTAL	OA	32 KHz crystal output. No external caps are required.	Note [2]	Note [2]
L_DD[12]/ GPIO[70]	ICOCZ	LCD display data. (output) Transfers pixel information from the LCD Controller to the external LCD panel. RTC clock. (output) Real time clock 1 Hz tick.	Pulled High Note [1]	Note [3]
L_DD[13]/ GPIO[71]	ICOCZ	LCD display data. (output) Transfers the pixel information from the LCD Controller to the external LCD panel. 3.6864 MHz clock. (output) Output from 3.6864 MHz oscillator.	Pulled High - Note[1]	Note [3]
L_DD[14]/ GPIO[72]	ICOCZ	LCD display data. (output) Transfers pixel information from the LCD Controller to the external LCD panel. 32 kHz clock. (output) Output from the 32 kHz oscillator.	Pulled High - Note[1]	Note [3]

Table 2-6. Pin & Signal Descriptions for the PXA255 Processor (Sheet 8 of 9)

Pin Name	Type	Signal Descriptions	Reset State	Sleep State
48MHz/GP[7]	ICOCZ	48 MHz clock. (output) Peripheral clock output derived from the PLL. NOTE: This clock is only generated when the USB unit clock enable is set.	Pulled High - Note[1]	Note [3]
RTCCLK/GP[10]	ICOCZ	Real time clock. (output) 1 Hz output derived from the 32kHz or 3.6864MHz output.	Pulled High - Note[1]	Note [3]
3.6MHz/GP[11]	ICOCZ	3.6864 MHz clock. (output) Output from 3.6864 MHz oscillator.	Pulled High - Note[1]	Note [3]
32kHz/GP[12]	ICOCZ	32 kHz clock. (output) Output from the 32 kHz oscillator.	Pulled High - Note[1]	Note [3]
Miscellaneous Pins				
BOOT_SEL [2:0]	IC	Boot select pins. (input) Indicates type of boot device.	Input	Input
PWR_EN	OC	Power Enable for the power supply. (output) When negated, it signals the power supply to remove power to the core because the system is entering sleep mode.	Driven High	Driven low while entering sleep mode. Driven high when sleep exit sequence begins.
nBATT_FAULT	IC	Main Battery Fault. (input) Signals that main battery is low or removed. Assertion causes PXA255 processor to enter sleep mode or force an Imprecise Data Exception, which cannot be masked. PXA255 processor will not recognize a walk-up event while this signal is asserted. Minimum assertion time for nBATT_FAULT is 1 ms.	Input	Input
nVDD_FAULT	IC	VDD Fault. (input) Signals that the main power source is going out of regulation. nVDD_FAULT causes the PXA255 processor to enter sleep mode or force an Imprecise Data Exception, which cannot be masked. nVDD_FAULT is ignored after a walk-up event until the power supply timer completes (approximately 10 ms). Minimum assertion time for nVDD_FAULT is 1 ms.	Input	Input
nRESET	IC	Hard reset. (input) Level sensitive input used to start the processor from a known address. Assertion causes the current instruction to terminate abnormally and causes a reset. When nRESET is driven high, the processor starts execution from address 0. nRESET must remain low until the power supply is stable and the internal 3.6864 MHz oscillator has stabilized.	Input	Input. Driving low during sleep will cause normal reset sequence and exit from sleep mode.
nRESET_OUT	OC	Reset Out. (output) Asserted when nRESET is asserted and deasserts after nRESET is deasserted but before the first instruction fetch. nRESET_OUT is also asserted for "soft" reset events: sleep, watchdog reset, or GPIO reset.	Driven low during any reset sequence - driven high prior to first fetch.	Driven Low
JTAG and Test Pins				
nTRST	IC	JTAG Test Interface Reset. Resets the JTAG/Debug port. If JTAG/Debug is used, drive nTRST from low to high either before or at the same time as nRESET. If JTAG is not used, nTRST must be either tied to nRESET or tied low.	Input	Input
TDI	IC	JTAG test data input. (input) Data from the JTAG controller is sent to the PXA255 processor using this pin. This pin has an internal pull-up resistor.	Input	Input

Table 2-6. Pin & Signal Descriptions for the PXA255 Processor (Sheet 9 of 9)

Pin Name	Type	Signal Descriptions	Reset State	Sleep State
TDO	OCZ	JTAG test data output. (output) Data from the PXA255 processor is returned to the JTAG controller using this pin.	Hi-Z	Hi-Z
TMS	IC	JTAG test mode select. (input) Selects the test mode required from the JTAG controller. This pin has an internal pull-up resistor.	Input	Input
TCK	IC	JTAG test clock. (input) Clock for all transfers on the JTAG test interface.	Input	Input
TEST	IC	Test Mode. (input) Reserved. Must be grounded.	Input	Input
TESTCLK	IC	Test Clock. (input) Reserved. Must be grounded.	Input	Input
Power and Ground Pins				
VCC	SUP	Positive supply for internal logic. Must be connected to the low voltage supply on the PCB.	Powered	Note [6]
VSS	SUP	Ground supply for internal logic. Must be connected to the common ground plane on the PCB.	Grounded	Grounded
PLL_VCC	SUP	Positive supply for PLLs and oscillators. Must be connected to the common low voltage supply.	Powered	Note [6]
PLL_VSS	SUP	Ground supply for the PLL. Must be connected to common ground plane on the PCB.	Grounded	Grounded
VCCQ	SUP	Positive supply for all CMOS I/O except memory bus and PCMCIA pins. Must be connected to the common 3.3v supply on the PCB.	Powered	Note [7]
VSSQ	SUP	Ground supply for all CMOS I/O except memory bus and PCMCIA pins. Must be connected to the common ground plane on the PCB.	Grounded	Grounded
VCCN	SUP	Positive supply for memory bus and PCMCIA pins. Must be connected to the common 3.3v or 2.5v supply on the PCB.	Powered	Note [7]
VSSN	SUP	Ground supply for memory bus and PCMCIA pins. Must be connected to the common ground plane on the PCB.	Grounded	Grounded

Table 2-7. Pin Description Notes (Sheet 1 of 2)

Note	Description
[1]	GPIO Reset Operation: Configured as GPIO inputs by default after any reset. The input buffers for these pins are disabled to prevent current drain and the pins are pulled high with 10K to 60K internal resistors. The input paths must be enabled and the pullups turned off by clearing the Read Disable Hold (RDH) bit described in Section 3.5.7, "Power Manager Sleep Status Register (PSSR)" on page 3-29. Even though sleep mode sets the RDH bit, the pull-up resistors are not re-enabled by sleep mode.
[2]	Crystal oscillator pins: These pins are used to connect the external crystals to the on-chip oscillators. Refer to Section 3.3.1, "32.768 kHz Oscillator" on page 3-4 and Section 3.3.2, "3.6864 MHz Oscillator" on page 3-4 for details on Sleep Mode operation.
[3]	GPIO Sleep operation: During the transition into sleep mode, the state of these pins is determined by the corresponding PGSRn. See Section 3.5.10, "Power Manager GPIO Sleep State Registers (PGSR0, PGSR1, PGSR2)" and Section 4.1.3.2, "GPIO Pin Direction Registers (GPDR0, GPDR1, GPDR2)" on page 4-8. If selected as an input, this pin does not drive during sleep. If selected as an output, the value contained in the Sleep State Register is driven out onto the pin and held there while the PXA255 processor is in Sleep Mode. GPIOs configured as inputs after exiting sleep mode cannot be used until PSSR[RDH] is cleared.

Table 2-7. Pin Description Notes (Sheet 2 of 2)

Note	Description
[4]	Static Memory Control Pins: During Sleep Mode, these pins can be programmed to either drive the value in the Sleep State Register or to be placed in Hi-Z. To select the Hi-Z state, software must set the FS bit in the Power Manager General Configuration Register. If PCFR[FS] is not set, then during the transition to sleep these pins function as described in [3], above. For nWE, nOE, and nCS[0], if PCFR[FS] is not set, they are driven high by the Memory Controller before entering sleep. If PCFR[FS] is set, these pins are placed in Hi-Z.
[5]	PCMCIA Control Pins: During Sleep Mode: Can be programmed either to drive the value in the Sleep State Register or to be placed in Hi-Z. To select the Hi-Z state, software must set PCFR[FP]. If it is not set, then during the transition to sleep these pins function as described in [3], above.
[6]	During sleep, this supply may be driven low. This supply must never be high impedance.
[7]	Remains powered in sleep mode.

2.12 Memory Map

Figure 2-2 and Figure 2-3 show the full processor memory map.

Any unused register space from 0x4000_0000 to 0x4BFF_FFFF is reserved.

Note: Accessing reserved portions of the memory map will give unpredictable results.

The PCMCIA interface is divided into Socket 0 and Socket 1 space. These two sockets are each subdivided into I/O, memory and attribute space. Each socket is allocated 256 MB of memory space.

Figure 2-2. Memory Map (Part One) — From 0x8000_0000 to 0xFFFF FFFF

0xFFFF_FFFF	Reserved (64 MB)
0xFC00_0000	Reserved (64 MB)
0xF800_0000	Reserved (64 MB)
0xF400_0000	Reserved (64 MB)
0xF000_0000	Reserved (64 MB)
0xEC00_0000	Reserved (64 MB)
0xE800_0000	Reserved (64 MB)
0xE400_0000	Reserved (64 MB)
0xE000_0000	Reserved (64 MB)
0xDC00_0000	Reserved (64 MB)
0xD800_0000	Reserved (64 MB)
0xD400_0000	Reserved (64 MB)
0xD000_0000	Reserved (64 MB)
0xCC00_0000	Reserved (64 MB)
0xC800_0000	Reserved (64 MB)
0xC400_0000	Reserved (64 MB)
0xC000_0000	Reserved (64 MB)
0xBC00_0000	Reserved (64 MB)
0xB800_0000	Reserved (64 MB)
0xB400_0000	Reserved (64 MB)
0xB000_0000	Reserved (64 MB)
0xAC00_0000	SDRAM Bank 3 (64 MB)
0xA800_0000	SDRAM Bank 2 (64 MB)
0xA400_0000	SDRAM Bank 1 (64 MB)
0xA000_0000	SDRAM Bank 0 (64 MB)
0x9C00_0000	Reserved (64 MB)
0x9800_0000	Reserved (64 MB)
0x9400_0000	Reserved (64 MB)
0x9000_0000	Reserved (64 MB)
0x8C00_0000	Reserved (64 MB)
0x8800_0000	Reserved (64 MB)
0x8400_0000	Reserved (64 MB)
0x8000_0000	Reserved (64 MB)

Figure 2-3. Memory Map (Part Two) — From 0x0000_0000 to 0x7FFF FFFF

0x7FFF FFFF	Reserved (64 MB)
0x7C00_0000	Reserved (64 MB)
0x7800_0000	Reserved (64 MB)
0x7400_0000	Reserved (64 MB)
0x7000_0000	Reserved (64 MB)
0x6C00_0000	Reserved (64 MB)
0x6800_0000	Reserved (64 MB)
0x6400_0000	Reserved (64 MB)
0x6000_0000	Reserved (64 MB)
0x5C00_0000	Reserved (64 MB)
0x5800_0000	Reserved (64 MB)
0x5400_0000	Reserved (64 MB)
0x5000_0000	Reserved (64 MB)
0x4C00_0000	Reserved (64 MB)
0x4800_0000	Memory Mapped registers (Memory Ctl)
0x4400_0000	Memory Mapped registers (LCD)
0x4000_0000	Memory Mapped registers (Peripherals)
0x3C00_0000	PCMCIA/CF- Slot 1 (256 MB)
0x3800_0000	
0x3400_0000	
0x3000_0000	
0x2C00_0000	PCMCIA/CF - Slot 0 (256MB)
0x2800_0000	
0x2400_0000	
0x2000_0000	
0x1C00_0000	Reserved (64 MB)
0x1800_0000	Reserved (64 MB)
0x1400_0000	Static Chip Select 5 (64 MB)
0x1000_0000	Static Chip Select 4 (64 MB)
0x0C00_0000	Static Chip Select 3 (64 MB)
0x0800_0000	Static Chip Select 2 (64 MB)
0x0400_0000	Static Chip Select 1 (64 MB)
0x0000_0000	Static Chip Select 0 (64 MB)

2.13 System Architecture Register Summary

Table 2-8. System Architecture Register Address Summary (Sheet 1 of 12)

Unit	Address	Register Symbol	Register Description
DMA Controller	0x4000_0000		
	0x4000_0000	DCSR0	DMA Control / Status Register for Channel 0
	0x4000_0004	DCSR1	DMA Control / Status Register for Channel 1
	0x4000_0008	DCSR2	DMA Control / Status Register for Channel 2
	0x4000_000C	DCSR3	DMA Control / Status Register for Channel 3
	0x4000_0010	DCSR4	DMA Control / Status Register for Channel 4
	0x4000_0014	DCSR5	DMA Control / Status Register for Channel 5
	0x4000_0018	DCSR6	DMA Control / Status Register for Channel 6
	0x4000_001C	DCSR7	DMA Control / Status Register for Channel 7
	0x4000_0020	DCSR8	DMA Control / Status Register for Channel 8
	0x4000_0024	DCSR9	DMA Control / Status Register for Channel 9
	0x4000_0028	DCSR10	DMA Control / Status Register for Channel 10
	0x4000_002C	DCSR11	DMA Control / Status Register for Channel 11
	0x4000_0030	DCSR12	DMA Control / Status Register for Channel 12
	0x4000_0034	DCSR13	DMA Control / Status Register for Channel 13
	0x4000_0038	DCSR14	DMA Control / Status Register for Channel 14
	0x4000_003C	DCSR15	DMA Control / Status Register for Channel 15
	0x4000_00f0	DINT	DMA Interrupt Register
	0x4000_0100	DRCMR0	Request to Channel Map Register for DREQ 0
	0x4000_0104	DRCMR1	Request to Channel Map Register for DREQ 1
	0x4000_0108	DRCMR2	Request to Channel Map Register for I2S receive Request
	0x4000_010C	DRCMR3	Request to Channel Map Register for I2S transmit Request
	0x4000_0110	DRCMR4	Request to Channel Map Register for BTUART receive Request
	0x4000_0114	DRCMR5	Request to Channel Map Register for BTUART transmit Request.
	0x4000_0118	DRCMR6	Request to Channel Map Register for FFUART receive Request
	0x4000_011C	DRCMR7	Request to Channel Map Register for FFUART transmit Request
	0x4000_0120	DRCMR8	Request to Channel Map Register for AC97 microphone Request
	0x4000_0124	DRCMR9	Request to Channel Map Register for AC97 modem receive Request
	0x4000_0128	DRCMR10	Request to Channel Map Register for AC97 modem transmit Request
	0x4000_012C	DRCMR11	Request to Channel Map Register for AC97 audio receive Request
	0x4000_0130	DRCMR12	Request to Channel Map Register for AC97 audio transmit Request
	0x4000_0134	DRCMR13	Request to Channel Map Register for SSP receive Request
	0x4000_0138	DRCMR14	Request to Channel Map Register for SSP transmit Request
	0x4000_013C	DRCMR15	Request to Channel Map Register for NSSP receive Request
	0x4000_0140	DRCMR16	Request to Channel Map Register for NSSP transmit Request
	0x4000_0144	DRCMR17	Request to Channel Map Register for ICP receive Request
	0x4000_0148	DRCMR18	Request to Channel Map Register for ICP transmit Request

Table 2-8. System Architecture Register Address Summary (Sheet 2 of 12)

Unit	Address	Register Symbol	Register Description
	0x4000_014C	DRCMR19	Request to Channel Map Register for STUART receive Request
	0x4000_0150	DRCMR20	Request to Channel Map Register for STUART transmit Request
	0x4000_0154	DRCMR21	Request to Channel Map Register for MMC receive Request
	0x4000_0158	DRCMR22	Request to Channel Map Register for MMC transmit Request
	0x4000_015C	DRCMR23	Reserved
	0x4000_0160	DRCMR24	Reserved
	0x4000_0164	DRCMR25	Request to Channel Map Register for USB endpoint 1 Request
	0x4000_0168	DRCMR26	Request to Channel Map Register for USB endpoint 2 Request
	0x4000_016C	DRCMR27	Request to Channel Map Register for USB endpoint 3 Request
	0x4000_0170	DRCMR28	Request to Channel Map Register for USB endpoint 4 Request
	0x4000_0174	DRCMR29	Request to Channel Map Register for HWUART receive Request
	0x4000_0178	DRCMR30	Request to Channel Map Register for USB endpoint 6 Request
	0x4000_017C	DRCMR31	Request to Channel Map Register for USB endpoint 7 Request
	0x4000_0180	DRCMR32	Request to Channel Map Register for USB endpoint 8 Request
	0x4000_0184	DRCMR33	Request to Channel Map Register for USB endpoint 9 Request
	0x4000_0188	DRCMR34	Request to Channel Map Register for HWUART transmit Request
	0x4000_018C	DRCMR35	Request to Channel Map Register for USB endpoint 11 Request
	0x4000_0190	DRCMR36	Request to Channel Map Register for USB endpoint 12 Request
	0x4000_0194	DRCMR37	Request to Channel Map Register for USB endpoint 13 Request
	0x4000_0198	DRCMR38	Request to Channel Map Register for USB endpoint 14 Request
	0x4000_019C	DRCMR39	Reserved
	0x4000_0200	DDADR0	DMA Descriptor Address Register Channel 0
	0x4000_0204	DSADR0	DMA Source Address Register Channel 0
	0x4000_0208	DTADR0	DMA Target Address Register Channel 0
	0x4000_020C	DCMD0	DMA Command Address Register Channel 0
	0x4000_0210	DDADR1	DMA Descriptor Address Register Channel 1
	0x4000_0214	DSADR1	DMA Source Address Register Channel 1
	0x4000_0218	DTADR1	DMA Target Address Register Channel 1
	0x4000_021C	DCMD1	DMA Command Address Register Channel 1
	0x4000_0220	DDADR2	DMA Descriptor Address Register Channel 2
	0x4000_0224	DSADR2	DMA Source Address Register Channel 2
	0x4000_0228	DTADR2	DMA Target Address Register Channel 2
	0x4000_022C	DCMD2	DMA Command Address Register Channel 2
	0x4000_0230	DDADR3	DMA Descriptor Address Register Channel 3
	0x4000_0234	DSADR3	DMA Source Address Register Channel 3
	0x4000_0238	DTADR3	DMA Target Address Register Channel 3
	0x4000_023C	DCMD3	DMA Command Address Register Channel 3
	0x4000_0240	DDADR4	DMA Descriptor Address Register Channel 4
	0x4000_0244	DSADR4	DMA Source Address Register Channel 4
	0x4000_0248	DTADR4	DMA Target Address Register Channel 4

Table 2-8. System Architecture Register Address Summary (Sheet 3 of 12)

Unit	Address	Register Symbol	Register Description
	0x4000_024C	DCMD4	DMA Command Address Register Channel 4
	0x4000_0250	DDADR5	DMA Descriptor Address Register Channel 5
	0x4000_0254	DSADR5	DMA Source Address Register Channel 5
	0x4000_0258	DTADR5	DMA Target Address Register Channel 5
	0x4000_025C	DCMD5	DMA Command Address Register Channel 5
	0x4000_0260	DDADR6	DMA Descriptor Address Register Channel 6
	0x4000_0264	DSADR6	DMA Source Address Register Channel 6
	0x4000_0268	DTADR6	DMA Target Address Register Channel 6
	0x4000_026C	DCMD6	DMA Command Address Register Channel 6
	0x4000_0270	DDADR7	DMA Descriptor Address Register Channel 7
	0x4000_0274	DSADR7	DMA Source Address Register Channel 7
	0x4000_0278	DTADR7	DMA Target Address Register Channel 7
	0x4000_027C	DCMD7	DMA Command Address Register Channel 7
	0x4000_0280	DDADR8	DMA Descriptor Address Register Channel 8
	0x4000_0284	DSADR8	DMA Source Address Register Channel 8
	0x4000_0288	DTADR8	DMA Target Address Register Channel 8
	0x4000_028C	DCMD8	DMA Command Address Register Channel 8
	0x4000_0290	DDADR9	DMA Descriptor Address Register Channel 9
	0x4000_0294	DSADR9	DMA Source Address Register Channel 9
	0x4000_0298	DTADR9	DMA Target Address Register Channel 9
	0x4000_029C	DCMD9	DMA Command Address Register Channel 9
	0x4000_02A0	DDADR10	DMA Descriptor Address Register Channel 10
	0x4000_02A4	DSADR10	DMA Source Address Register Channel 10
	0x4000_02A8	DTADR10	DMA Target Address Register Channel 10
	0x4000_02AC	DCMD10	DMA Command Address Register Channel 10
	0x4000_02B0	DDADR11	DMA Descriptor Address Register Channel 11
	0x4000_02B4	DSADR11	DMA Source Address Register Channel 11
	0x4000_02B8	DTADR11	DMA Target Address Register Channel 11
	0x4000_02BC	DCMD11	DMA Command Address Register Channel 11
	0x4000_02C0	DDADR12	DMA Descriptor Address Register Channel 12
	0x4000_02C4	DSADR12	DMA Source Address Register Channel 12
	0x4000_02C8	DTADR12	DMA Target Address Register Channel 12
	0x4000_02CC	DCMD12	DMA Command Address Register Channel 12
	0x4000_02D0	DDADR13	DMA Descriptor Address Register Channel 13
	0x4000_02D4	DSADR13	DMA Source Address Register Channel 13
	0x4000_02D8	DTADR13	DMA Target Address Register Channel 13
	0x4000_02DC	DCMD13	DMA Command Address Register Channel 13
	0x4000_02E0	DDADR14	DMA Descriptor Address Register Channel 14
	0x4000_02E4	DSADR14	DMA Source Address Register Channel 14
	0x4000_02E8	DTADR14	DMA Target Address Register Channel 14

Table 2-8. System Architecture Register Address Summary (Sheet 4 of 12)

Unit	Address	Register Symbol	Register Description
	0x4000_02EC	DCMD14	DMA Command Address Register Channel 14
	0x4000_02F0	DDADR15	DMA Descriptor Address Register Channel 15
	0x4000_02F4	DSADR15	DMA Source Address Register Channel 15
	0x4000_02F8	DTADR15	DMA Target Address Register Channel 15
	0x4000_02FC	DCMD15	DMA Command Address Register Channel 15
Full Function UART	0x4010_0000		
	0x4010_0000	FFRBR	Receive Buffer Register (read only)
	0x4010_0000	FFTHR	Transmit Holding Register (write only)
	0x4010_0004	FFIER	Interrupt Enable Register (read/write)
	0x4010_0008	FFIIR	Interrupt ID Register (read only)
	0x4010_0008	FFFCR	FIFO Control Register (write only)
	0x4010_000C	FFLCR	Line Control Register (read/write)
	0x4010_0010	FFMCR	Modem Control Register (read/write)
	0x4010_0014	FFLSR	Line Status Register (read only)
	0x4010_0018	FFMSR	Modem Status Register (read only)
	0x4010_001C	FFSPR	Scratch Pad Register (read/write)
	0x4010_0020	FFISR	Infrared Selection Register (read/write)
	0x4010_0000	FFDLL	Divisor Latch Low Register (DLAB = 1) (read/write)
	0x4010_0004	FFDLH	Divisor Latch High Register (DLAB = 1) (read/write)
Bluetooth UART	0x4020_0000		
	0x4020_0000	BTRBR	Receive Buffer Register (read only)
	0x4020_0000	BTTHR	Transmit Holding Register (write only)
	0x4020_0004	BTIER	Interrupt Enable Register (read/write)
	0x4020_0008	BTIIR	Interrupt ID Register (read only)
	0x4020_0008	BTFCR	FIFO Control Register (write only)
	0x4020_000C	BTLCR	Line Control Register (read/write)
	0x4020_0010	BTMCR	Modem Control Register (read/write)
	0x4020_0014	BTLSR	Line Status Register (read only)
	0x4020_0018	BTMSR	Modem Status Register (read only)
	0x4020_001C	BTSPR	Scratch Pad Register (read/write)
	0x4020_0020	BTISR	Infrared Selection Register (read/write)
	0x4020_0000	BTDLL	Divisor Latch Low Register (DLAB = 1) (read/write)
	0x4020_0004	BTDLH	Divisor Latch High Register (DLAB = 1) (read/write)
I2C	0x4030_0000		
	0x4030_1680	IBMR	I2C Bus Monitor Register - IBMR
	0x4030_1688	IDBR	I2C Data Buffer Register - IDBR
	0x4030_1690	ICR	I2C Control Register - ICR
	0x4030_1698	ISR	I2C Status Register - ISR
	0x4030_16A0	ISAR	I2C Slave Address Register - ISAR

Table 2-8. System Architecture Register Address Summary (Sheet 5 of 12)

Unit	Address	Register Symbol	Register Description
I2S	0x4040_0000		
	0x4040_0000	SACR0	Global Control Register
	0x4040_0004	SACR1	Serial Audio I ² S/MSB-Justified Control Register
	0x4040_0008	—	Reserved
	0x4040_000C	SASR0	Serial Audio I ² S/MSB-Justified Interface and FIFO Status Register
	0x4040_0010	—	Reserved
	0x4040_0014	SAIMR	Serial Audio Interrupt Mask Register
	0x4040_0018	SAICR	Serial Audio Interrupt Clear Register
	0x4040_001C through 0x4040_005C	—	Reserved
	0x4040_0060	SADIV	Audio Clock Divider Register.
	0x4040_0064 through 0x4040_007C	—	Reserved
	0x4040_0080	SADR	Serial Audio Data Register (TX and RX FIFO access Register).
AC97	0x4050_0000		
	0x4050_0000	POCR	PCM Out Control Register
	0x4050_0004	PICR	PCM In Control Register
	0x4050_0008	MCCR	Mic In Control Register
	0x4050_000C	GCR	Global Control Register
	0x4050_0010	POSR	PCM Out Status Register
	0x4050_0014	PISR	PCM In Status Register
	0x4050_0018	MCSR	Mic In Status Register
	0x4050_001C	GSR	Global Status Register
	0x4050_0020	CAR	CODEC Access Register
	0x4050_0024 through 0x4050_003C	—	Reserved
	0x4050_0040	PCDR	PCM FIFO Data Register
	0x4050_0044 through 0x4050_005C	—	Reserved
	0x4050_0060	MCDR	Mic-in FIFO Data Register
	0x4050_0064 through 0x4050_00FC	—	Reserved
	0x4050_0100	MOCR	Modem Out Control Register
	0x4050_0104	—	Reserved
	0x4050_0108	MICR	Modem In Control Register
	0x4050_010C	—	Reserved
	0x4050_0110	MOSR	Modem Out Status Register

Table 2-8. System Architecture Register Address Summary (Sheet 6 of 12)

Unit	Address	Register Symbol	Register Description
	0x4050_0114	—	Reserved
	0x4050_0118	MISR	Modem In Status Register
	0x4050_011C through 0x4050_013C	—	Reserved
	0x4050_0140	MODR	Modem FIFO Data Register
	0x4050_0144 through 0x4050_01FC	—	Reserved
	0x4050_0200 through 0x4050_02FC	—	Primary Audio CODEC registers
	0x4050_0300 through 0x4050_03FC	—	Secondary Audio CODEC registers
	0x4050_0400 through 0x4050_04FC	—	Primary Modem CODEC registers
	0x4050_0500 through 0x4050_05FC	—	Secondary Modem CODEC registers
UDC	0x4060_0000		
	0x4060_0000	UDCCR	UDC Control Register
	0x4060_0008	UDCCFR	UDC Control Function Register
	0x4060_0010	UDCCS0	UDC Endpoint 0 Control/Status Register
	0x4060_0014	UDCCS1	UDC Endpoint 1 (IN) Control/Status Register
	0x4060_0018	UDCCS2	UDC Endpoint 2 (OUT) Control/Status Register
	0x4060_001C	UDCCS3	UDC Endpoint 3 (IN) Control/Status Register
	0x4060_0020	UDCCS4	UDC Endpoint 4 (OUT) Control/Status Register
	0x4060_0024	UDCCS5	UDC Endpoint 5 (Interrupt) Control/Status Register
	0x4060_0028	UDCCS6	UDC Endpoint 6 (IN) Control/Status Register
	0x4060_002C	UDCCS7	UDC Endpoint 7 (OUT) Control/Status Register
	0x4060_0030	UDCCS8	UDC Endpoint 8 (IN) Control/Status Register
	0x4060_0034	UDCCS9	UDC Endpoint 9 (OUT) Control/Status Register
	0x4060_0038	UDCCS10	UDC Endpoint 10 (Interrupt) Control/Status Register
	0x4060_003C	UDCCS11	UDC Endpoint 11 (IN) Control/Status Register
	0x4060_0040	UDCCS12	UDC Endpoint 12 (OUT) Control/Status Register
	0x4060_0044	UDCCS13	UDC Endpoint 13 (IN) Control/Status Register
	0x4060_0048	UDCCS14	UDC Endpoint 14 (OUT) Control/Status Register
	0x4060_004C	UDCCS15	UDC Endpoint 15 (Interrupt) Control/Status Register
	0x4060_0060	UFNRH	UDC Frame Number Register High
	0x4060_0064	UFNRL	UDC Frame Number Register Low

Table 2-8. System Architecture Register Address Summary (Sheet 7 of 12)

Unit	Address	Register Symbol	Register Description
	0x4060_0068	UBCR2	UDC Byte Count Register 2
	0x4060_006C	UBCR4	UDC Byte Count Register 4
	0x4060_0070	UBCR7	UDC Byte Count Register 7
	0x4060_0074	UBCR9	UDC Byte Count Register 9
	0x4060_0078	UBCR12	UDC Byte Count Register 12
	0x4060_007C	UBCR14	UDC Byte Count Register 14
	0x4060_0080	UDDR0	UDC Endpoint 0 Data Register
	0x4060_0100	UDDR1	UDC Endpoint 1 Data Register
	0x4060_0180	UDDR2	UDC Endpoint 2 Data Register
	0x4060_0200	UDDR3	UDC Endpoint 3 Data Register
	0x4060_0400	UDDR4	UDC Endpoint 4 Data Register
	0x4060_00A0	UDDR5	UDC Endpoint 5 Data Register
	0x4060_0600	UDDR6	UDC Endpoint 6 Data Register
	0x4060_0680	UDDR7	UDC Endpoint 7 Data Register
	0x4060_0700	UDDR8	UDC Endpoint 8 Data Register
	0x4060_0900	UDDR9	UDC Endpoint 9 Data Register
	0x4060_00C0	UDDR10	UDC Endpoint 10 Data Register
	0x4060_0B00	UDDR11	UDC Endpoint 11 Data Register
	0x4060_0B80	UDDR12	UDC Endpoint 12 Data Register
	0x4060_0C00	UDDR13	UDC Endpoint 13 Data Register
	0x4060_0E00	UDDR14	UDC Endpoint 14 Data Register
	0x4060_00E0	UDDR15	UDC Endpoint 15 Data Register
	0x4060_0050	UICR0	UDC Interrupt Control Register 0
	0x4060_0054	UICR1	UDC Interrupt Control Register 1
	0x4060_0058	USIR0	UDC Status Interrupt Register 0
	0x4060_005C	USIR1	UDC Status Interrupt Register 1
Standard UART	0x4070_0000		
	0x4070_0000	STRBR	Receive Buffer Register (read only)
	0x4070_0000	STTHR	Transmit Holding Register (write only)
	0x4070_0004	STIER	Interrupt Enable Register (read/write)
	0x4070_0008	STIIR	Interrupt ID Register (read only)
	0x4070_0008	STFCR	FIFO Control Register (write only)
	0x4070_000C	STLCR	Line Control Register (read/write)
	0x4070_0010	STMCR	Modem Control Register (read/write)
	0x4070_0014	STLSR	Line Status Register (read only)
	0x4070_0018	STMSR	Reserved
	0x4070_001C	STSPR	Scratch Pad Register (read/write)
	0x4070_0020	STISR	Infrared Selection Register (read/write)
	0x4070_0000	STDLL	Divisor Latch Low Register (DLAB = 1) (read/write)
	0x4070_0004	STDLH	Divisor Latch High Register (DLAB = 1) (read/write)

Table 2-8. System Architecture Register Address Summary (Sheet 8 of 12)

Unit	Address	Register Symbol	Register Description
ICP	0x4080_0000		
	0x4080_0000	ICCR0	ICP Control Register 0
	0x4080_0004	ICCR1	ICP Control Register 1
	0x4080_0008	ICCR2	ICP Control Register 2
	0x4080_000C	ICDR	ICP Data Register
	0x4080_0010	—	Reserved
	0x4080_0014	ICSR0	ICP Status Register 0
	0x4080_0018	ICSR1	ICP Status Register 1
RTC	0x4090_0000		
	0x4090_0000	RCNR	RTC Count Register
	0x4090_0004	RTAR	RTC Alarm Register
	0x4090_0008	RTSR	RTC Status Register
	0x4090_000C	RTTR	RTC Timer Trim Register
OS Timer	0x40A0_0000		
	0x40A0_0000	OSMR<0>	OS Timer Match registers<3:0>
	0x40A0_0004	OSMR<1>	
	0x40A0_0008	OSMR<2>	
	0x40A0_000C	OSMR<3>	
	0x40A0_0010	OSCR	OS Timer Counter Register
	0x40A0_0014	OSSR	OS Timer Status Register
	0x40A0_0018	OWER	OS Timer Watchdog Enable Register
0x40A0_001C	OIER	OS Timer Interrupt Enable Register	
PWM 0	0x40B0_0000		
	0x40B0_0000	PWM_CTRL0	PWM 0 Control Register
	0x40B0_0004	PWM_PWDUTY0	PWM 0 Duty Cycle Register
	0x40B0_0008	PWM_PERVAL0	PWM 0 Period Control Register
PWM 1	0x40C0_0000		
	0x40C0_0000	PWM_CTRL1	PWM 1 Control Register
	0x40C0_0004	PWM_PWDUTY1	PWM 1 Duty Cycle Register
	0x40C0_0008	PWM_PERVAL1	PWM 1 Period Control Register
Interrupt Control	0x40D0_0000		
	0x40D0_0000	ICIP	Interrupt Controller IRQ Pending Register
	0x40D0_0004	ICMR	Interrupt Controller Mask Register
	0x40D0_0008	ICLR	Interrupt Controller Level Register
	0x40D0_000C	ICFP	Interrupt Controller FIQ Pending Register
	0x40D0_0010	ICPR	Interrupt Controller Pending Register
	0x40D0_0014	ICCR	Interrupt Controller Control Register
GPIO	0x40E0_0000		
	0x40E0_0000	GPLR0	GPIO Pin-Level Register GPIO<31:0>
	0x40E0_0004	GPLR1	GPIO Pin-Level Register GPIO<63:32>

Table 2-8. System Architecture Register Address Summary (Sheet 9 of 12)

Unit	Address	Register Symbol	Register Description
	0x40E0_0008	GPLR2	GPIO Pin-Level Register GPIO<80:64>
	0x40E0_000C	GPDR0	GPIO Pin Direction Register GPIO<31:0>
	0x40E0_0010	GPDR1	GPIO Pin Direction Register GPIO<63:32>
	0x40E0_0014	GPDR2	GPIO Pin Direction Register GPIO<80:64>
	0x40E0_0018	GPSR0	GPIO Pin Direction Register GPIO<31:0>
	0x40E0_001C	GPSR1	GPIO Pin Output Set Register GPIO<63:32>
	0x40E0_0020	GPSR2	GPIO Pin Output Set Register GPIO<80:64>
	0x40E0_0024	GPCR0	GPIO Pin Output Clear Register GPIO<31:0>
	0x40E0_0028	GPCR1	GPIO Pin Output Clear Register GPIO <63:32>
	0x40E0_002C	GPCR2	GPIO Pin Output Clear Register GPIO <80:64>
	0x40E0_0030	GRER0	GPIO Rising-Edge Detect Register GPIO<31:0>
	0x40E0_0034	GRER1	GPIO Rising-Edge Detect Register GPIO<63:32>
	0x40E0_0038	GRER2	GPIO Rising-Edge Detect Register GPIO<80:64>
	0x40E0_003C	GFER0	GPIO Falling-Edge Detect Register GPIO<31:0>
	0x40E0_0040	GFER1	GPIO Falling-Edge Detect Register GPIO<63:32>
	0x40E0_0044	GFER2	GPIO Falling-Edge Detect Register GPIO<80:64>
	0x40E0_0048	GEDR0	GPIO Edge Detect Status Register GPIO<31:0>
	0x40E0_004C	GEDR1	GPIO Edge Detect Status Register GPIO<63:32>
	0x40E0_0050	GEDR2	GPIO Edge Detect Status Register GPIO<80:64>
	0x40E0_0054	GAFR0_L	GPIO Alternate Function Select Register GPIO<15:0>
	0x40E0_0058	GAFR0_U	GPIO Alternate Function Select Register GPIO<31:16>
	0x40E0_005C	GAFR1_L	GPIO Alternate Function Select Register GPIO<47:32>
	0x40E0_0060	GAFR1_U	GPIO Alternate Function Select Register GPIO<63:48>
	0x40E0_0064	GAFR2_L	GPIO Alternate Function Select Register GPIO<79:64>
	0x40E0_0068	GAFR2_U	GPIO Alternate Function Select Register GPIO 80
Power Manager and Reset Control	0x40F0_0000		
	0x40F0_0000	PMCR	Power Manager Control Register
	0x40F0_0004	PSSR	Power Manager Sleep Status Register
	0x40F0_0008	PSPR	Power Manager Scratch Pad Register
	0x40F0_000C	PWER	Power Manager Wake-up Enable Register
	0x40F0_0010	PRER	Power Manager GPIO Rising-Edge Detect Enable Register
	0x40F0_0014	PFER	Power Manager GPIO Falling-Edge Detect Enable Register
	0x40F0_0018	PEDR	Power Manager GPIO Edge Detect Status Register
	0x40F0_001C	PCFR	Power Manager General Configuration Register
	0x40F0_0020	PGSR0	Power Manager GPIO Sleep State Register for GP[31-0]
	0x40F0_0024	PGSR1	Power Manager GPIO Sleep State Register for GP[63-32]
	0x40F0_0028	PGSR2	Power Manager GPIO Sleep State Register for GP[84-64]
	0x40F0_002C	—	Reserved

Table 2-8. System Architecture Register Address Summary (Sheet 10 of 12)

Unit	Address	Register Symbol	Register Description
	0x40F0_002C	—	Reserved
	0x40F0_0030	RCSR	Reset Controller Status Register
SSP	0x4100_0000		
	0x4100_0000	SSCR0	SSP Control Register 0
	0x4100_0004	SSCR1	SSP Control Register 1
	0x4100_0008	SSSR	SSP Status Register
	0x4100_000C	SSITR	SSP Interrupt Test Register
	0x4100_0010	SSDR (Write / Read)	SSP Data Write Register/SSP Data Read Register
MMC Controller	0x4110_0000		
	0x4110_0000	MMC_STRPCL	Control to start and stop MMC clock
	0x4110_0004	MMC_STAT	MMC Status Register (read only)
	0x4110_0008	MMC_CLKRT	MMC clock rate
	0x4110_000C	MMC_SPI	SPI mode control bits
	0x4110_0010	MMC_CMDAT	Command/response/data sequence control
	0x4110_0014	MMC_RESTO	Expected response time out
	0x4110_0018	MMC_RDTO	Expected data read time out
	0x4110_001C	MMC_BLKLEN	Block length of data transaction
	0x4110_0020	MMC_NOB	Number of blocks, for block mode
	0x4110_0024	MMC_PRTBUF	Partial MMC TXFIFO FIFO written
	0x4110_0028	MMC_I_MASK	Interrupt Mask
	0x4110_002C	MMC_I_REG	Interrupt Register (read only)
	0x4110_0030	MMC_CMD	Index of current command
	0x4110_0034	MMC_ARGH	MSW part of the current command argument
	0x4110_0038	MMC_ARGL	LSW part of the current command argument
	0x4110_003C	MMC_RES	Response FIFO (read only)
	0x4110_0040	MMC_RXFIFO	Receive FIFO (read only)
	0x4110_0044	MMC_TXFIFO	Transmit FIFO (write only)
Clocks Manager	0x4130_0000		
	0x4130_0000	CCCR	Core Clock Configuration Register
	0x4130_0004	CKEN	Clock Enable Register
	0x4130_0008	OSCC	Oscillator Configuration Register
Network SSP	0x4140_0000		
	0x4140_0000	NSSCR0	NSSP Control Register 0
	0x4140_0004	NSSCR1	NSSP Control Register 1
	0x4140_0008	NSSSR	NSSP Status Register
	0x4140_000C	NSSITR	NSSP Interrupt Test Register
	0x4140_0010	NSSDR	NSSP Data Read/Write Register
	0x4140_0028	NSSTO	NSSP Time Out Register

Table 2-8. System Architecture Register Address Summary (Sheet 11 of 12)

Unit	Address	Register Symbol	Register Description
	0x4140_002C	NSSPSP	NSSP Programmable Serial Protocol
Hardware UART	0x4160_0000		
	0x4160_0000	HWRBR	Receive Buffer Register (read only)
	0x4160_0000	HWTHR	Transmit Holding Register (write only)
	0x4160_0004	HWIER	Interrupt Enable Register (read/write)
	0x4160_0008	HWIIR	Interrupt ID Register (read only)
	0x4160_0008	HWFCR	FIFO Control Register (write only)
	0x4160_000C	HWLCR	Line Control Register (read/write)
	0x4160_0010	HWMCR	Modem Control Register (read/write)
	0x4160_0014	HWLSR	Line Status Register (read only)
	0x4160_0018	HWMSR	Modem Status Register (read only)
	0x4160_001C	HWSPR	Scratch Pad Register (read/write)
	0x4160_0020	HWISR	Infrared Selection Register (read/write)
	0x4160_0024	HWFOR	FIFO Occupancy Register (read only)
	0x4160_0028	HWABR	Auto-Baud Control Register (read/write)
	0x4160_002C	HWACR	Auto-Baud Count Register
	0x4160_0000	HWDLL	Divisor Latch Low Register (DLAB = 1) (read/write)
	0x4160_0000	HWDLH	Divisor Latch High Register (DLAB = 1) (read/write)
LCD Controller	0x4400_0000		
	0x4400_0000	LCCR0	LCD Controller Control Register 0
	0x4400_0004	LCCR1	LCD Controller Control Register 1
	0x4400_0008	LCCR2	LCD Controller Control Register 2
	0x4400_000C	LCCR3	LCD Controller Control Register 3
	0x4400_0200	FDADR0	DMA Channel 0 Frame Descriptor Address Register
	0x4400_0204	FSADR0	DMA Channel 0 Frame Source Address Register
	0x4400_0208	FIDR0	DMA Channel 0 Frame ID Register
	0x4400_020C	LDCMD0	DMA Channel 0 Command Register
	0x4400_0210	FDADR1	DMA Channel 1 Frame Descriptor Address Register
	0x4400_0214	FSADR1	DMA Channel 1 Frame Source Address Register
	0x4400_0218	FIDR1	DMA Channel 1 Frame ID Register
	0x4400_021C	LDCMD1	DMA Channel 1 Command Register
	0x4400_0020	FBR0	DMA Channel 0 Frame Branch Register
	0x4400_0024	FBR1	DMA Channel 1 Frame Branch Register
	0x4400_0038	LCSR	LCD Controller Status Register
	0x4400_003C	LIIDR	LCD Controller Interrupt ID Register
	0x4400_0040	TRGBR	TMED RGB Seed Register
	0x4400_0044	TCR	TMED Control Register
Memory Controller	0x4800_0000		

Table 2-8. System Architecture Register Address Summary (Sheet 12 of 12)

Unit	Address	Register Symbol	Register Description
	0x4800_0000	MDCNFG	SDRAM Configuration Register 0
	0x4800_0004	MDREFR	SDRAM Refresh Control Register
	0x4800_0008	MSC0	Static Memory Control Register 0
	0x4800_000C	MSC1	Static Memory Control Register 1
	0x4800_0010	MSC2	Static Memory Control Register 2
	0x4800_0014	MECR	Expansion Memory (PCMCIA/Compact Flash) Bus Configuration Register
	0x4800_001C	SXCNFG	Synchronous Static Memory Control Register
	0x4800_0024	SXMRS	MRS value to be written to SMROM
	0x4800_0028	MCMEM0	Card interface Common Memory Space Socket 0 Timing Configuration
	0x4800_002C	MCMEM1	Card interface Common Memory Space Socket 1 Timing Configuration
	0x4800_0030	MCATT0	Card interface Attribute Space Socket 0 Timing Configuration
	0x4800_0034	MCATT1	Card interface Attribute Space Socket 1 Timing Configuration
	0x4800_0038	MCIO0	Card interface I/O Space Socket 0 Timing Configuration
	0x4800_003C	MCIO1	Card interface I/O Space Socket 1 Timing Configuration
	0x4800_0040	MDMRS	MRS value to be written to SDRAM
	0x4800_0044	BOOT_DEF	Read-only Boot-Time Register. Contains BOOT_SEL and PKG_SEL values.
	0x4800_0058	MDMRSLP	Low Power SDRAM Mode Register Set Configuration Register
	0x4800_0064	SA1111CR	SA1111 Compatibility Register

The Clocks and Power Manager for the PXA255 processor controls the clock frequency to each module and manages transitions between the different power manager (PM) operating modes to optimize both computing performance and power consumption.

3.1 Clock Manager Introduction

The Clocks and Power Manager provides fixed clocks for each peripheral unit. Many of the devices' peripheral clocks can be disabled using the Clock Enable Register (CKEN), or through bits in the peripheral's control registers. To minimize power consumption, turn off the clock to any unit that is not being used. The Clocks and Power Manager also provides the programmable-frequency clocks for the LCD Controller, Memory Controller, and CPU. These clocks are related to each other because they come from the same internal Phase Locked Loop (PLL) clock source. To program the PLL's frequency, follow these steps (for information on the factors L, M, and N, see [Section 3.6.1, "Core Clock Configuration Register \(CCCR\)"](#) on page 3-34):

1. Determine the fastest synchronous memory requirement (SDRAM frequency).
2. If the SDRAM frequency is less than 99.5 MHz, the Memory Frequency must be twice the SDRAM Frequency and the SDRAM clock ratio in the Memory Controller must be set to two. If the SDRAM frequency is 99.5 MHz, the Memory Frequency is equal to the SDRAM frequency.
3. Round the Memory Frequency down to the nearest value of 99.5 MHz (L = 0x1B), 118.0 MHz (L = 0x20), 132.7 MHz (L = 0x24), 147.5 MHz (L = 0x28), or 165.9 MHz (L = 0x2D), and program the value of L in the Core Clock Configuration register. This frequency (or half, if the SDRAM clock ratio is 2) is the External Synchronous Memory Frequency.
4. Determine the required Core Frequency for normal (Run Mode) operation. This mode is used during normal processing, when the application must make occasional fetches to external memory. The possible values are one, two, or four times the Memory Frequency. Program this value (M) in the Core Clock Configuration register.
5. Determine the required Core Frequency for Turbo Mode operation. This mode is generally used when the application runs entirely from the caches, because any fetches to external memory slow the Core's performance. This value is a multiple (1.0, 1.5, 2.0, or 3.0) of the Run Mode Frequency. Program the value (N) in the Core Clock Configuration register.
6. Configure the LCD Controller and Memory Controller for the new Memory Frequency and enter the Frequency Change Sequence (described in [Section 3.4.7, "Frequency Change Sequence"](#) on page 3-11).

Note: Not all frequency combinations are valid. See [Section 3.3.3, "Core Phase Locked Loop"](#) for valid combinations.

3.2 Power Manager Introduction

The Clocks and Power Manager can place the processor in one of three resets.

- Hardware Reset (nRESET asserted) is a nonmaskable total reset. It is used at power up or when no system information requires preservation.
- Watchdog Reset is asserted through the Watchdog Timer and resets the system except the Clocks and Power Manager. This reset is used as a code monitor. If code fails to complete a specified sequence, the processor assumes a fatal system error has occurred and causes a Watchdog Reset.
- GPIO Reset is enabled through the GPIO alternate function registers. It is used as an alternative to Hardware Reset that preserves the Memory Controller registers and a few critical states in the Clocks and Power Manager and the Real Time Clock (RTC).

The Clocks and Power Manager also controls the entry into and exit from any of the low power or special clocking modes on processor. These modes are:

- Turbo Mode: the Core runs at its peak frequency. In this mode, make very few external memory accesses because the Core must wait on the external memory.
- Run Mode: the Core runs at its normal frequency. In this mode, the Core is assumed to be doing frequent external memory accesses, so running slower is optimum for the best power/performance trade-off.
- Idle Mode: the Core is not being clocked, but the rest of the system is fully operational. This mode is used during brief lulls in activity, when the external system must continue operation but the Core is idle.
- Sleep Mode: places the processor in its lowest power state but maintains I/O state, RTC, and the Clocks and Power Manager. Wake-up from Sleep Mode requires re-booting the system, since most internal state was lost. The core power must be grounded in sleep to prevent current leakage.

The Clocks and Power Manager also controls the processor's actions during the Frequency Change Sequence. The Frequency Change Sequence is a sequence that changes the Core Frequency (Run and Turbo) and Memory Frequency from the previously stored values to the new values in the Core Clock Configuration register. This sequence takes time to complete due to PLL relock time, but it allows dynamic frequency changes without compromising external memory integrity. Any peripherals that rely on the Core or Memory Controller must be configured to withstand a data flow interruption.

3.3 Clock Manager

The processor's clocking system incorporates five major clock sources:

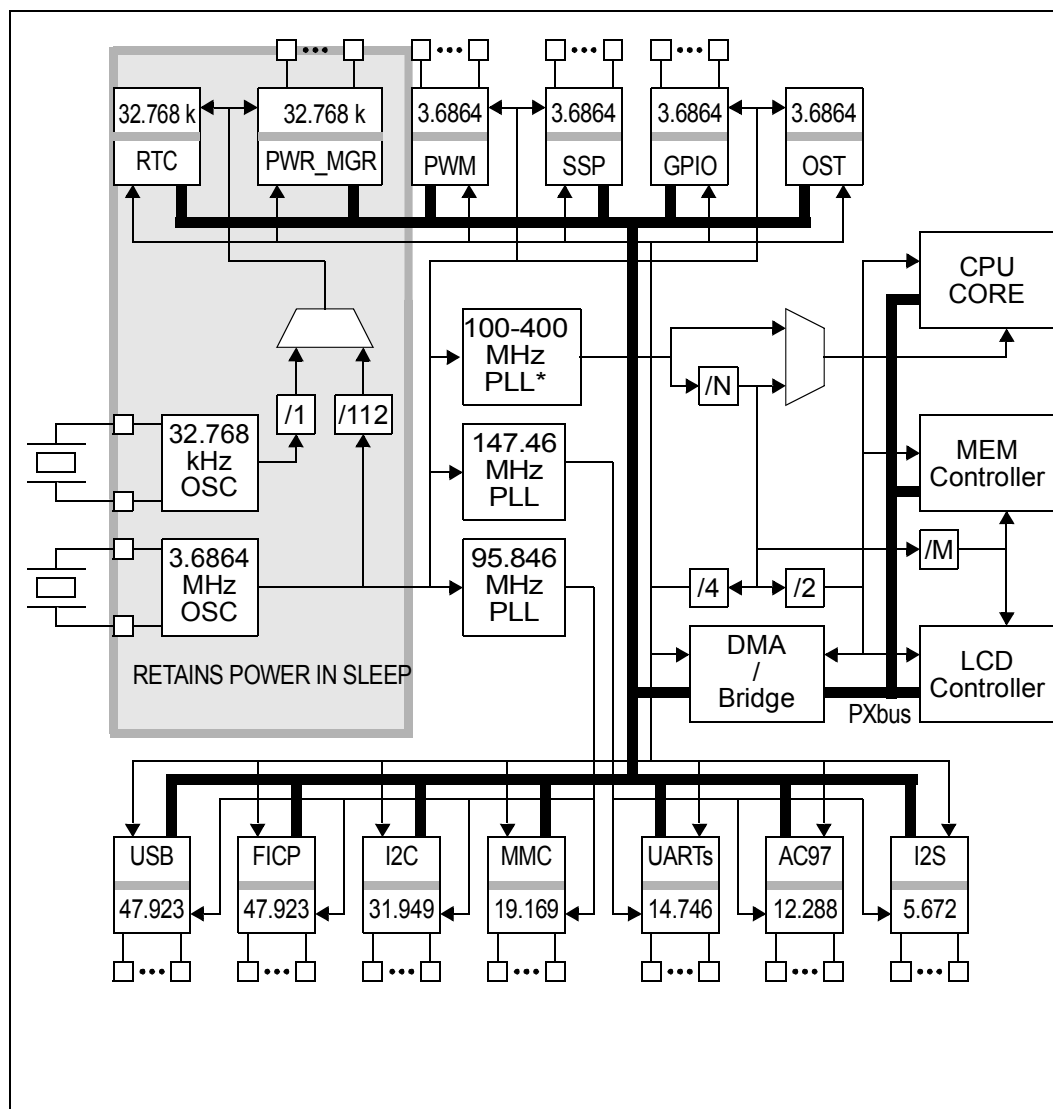
- 32.768 kHz Oscillator
- 3.6864 MHz Oscillator
- Programmable Frequency Core PLL
- 95.85 MHz Fixed Frequency Peripheral PLL
- 147.46 MHz Fixed Frequency PLL

The clocks manager also contains clock gating for power reduction.

Figure 3-1 shows a functional representation of the clocking network. “L” is in the core PLL.

The PXbus is the internal bus between the Core, the DMA/Bridge, the LCD Controller, and the Memory Controller as shown in Figure 3-1. This bus is clocked at 1/2 the run mode frequency. For optimal performance, the PXbus should be clocked as fast as possible. For example, if a target core frequency of 200 MHz is desired use 200 MHz run mode instead of 200 MHz turbo mode with run at 100 MHz. Increasing the PXbus frequency may help reduce the latency involved in accessing non-cacheable memory.

Figure 3-1. Clocks Manager Block Diagram



3.3.1 32.768 kHz Oscillator

The 32.768 kHz oscillator is a low power, low frequency oscillator that clocks the RTC and Power Manager. This oscillator is disabled out of Hardware Reset and the RTC and Power Manager blocks use the 3.6864 MHz oscillator instead. Software writes the Oscillator On bit in the Oscillator Configuration Register to enable the 32.768 kHz. This configures the RTC and Power Manager to use the 32.768 kHz oscillator after it stabilizes.

32.768 kHz oscillator use is optional and provides the lowest power consumption during Sleep Mode. In less power-sensitive applications, disable the 32.768 kHz oscillator in the Oscillator Configuration Register (OSCC) and leave the external pins floating (no external crystal required) for cost savings. If the 32.768 kHz oscillator is not in the system, the frequency of the RTC and Power Manager will be 3.6864 MHz divided by 112 (32.914 kHz). In Sleep, the 3.6864 MHz oscillator consumes hundreds of microamps of extra power when it stays enabled. See [Section 3.5.2, “Power Manager General Configuration Register \(PCFR\)” on page 3-24](#) for information on The Oscillator Power Down Enable (OPDE) bit, which determines if the 3.6864 MHz oscillator is enabled in Sleep Mode. No external capacitors are required.

3.3.2 3.6864 MHz Oscillator

The 3.6864 MHz oscillator provides the primary clock source for the processor. The on-chip PLL frequency multipliers, Synchronous Serial Port (SSP), Pulse Width Modulator (PWM), and the Operating System Timer (OST) use the 3.6864 MHz oscillator as a reference. Out of Hardware Reset, the 3.6864 MHz oscillator also drives the RTC and Power Manager (PM). The user may then enable the 32.768 kHz oscillator, which will drive the RTC and PM after it is stabilized. The 3.6864 MHz oscillator can be disabled during Sleep Mode by setting the OPDE (see [Section 3.5.2](#)) bit but only if the 32.768 kHz oscillator is enabled and stabilized (both the OON and OOK bits in the OSCC set). See [Section 3.6.3](#) for more information. No external capacitors are required.

3.3.3 Core Phase Locked Loop

The Core PLL is the clock source of the CPU Core, the Memory Controller, the LCD Controller, and DMA Controller. The Core PLL uses the 3.6864 MHz oscillator as a reference and multiplies its frequency by the following variables:

- L: Crystal Frequency to Memory Frequency Multiplier, set to 27, 36 or 45.
- M: Memory Frequency to Run Mode Frequency Multiplier, set to 1, 2 or 4.
- N: Run Mode Frequency to Turbo Mode Frequency Multiplier, set to 1.0, 1.5, 2.0, or 3.0.

The output frequency selections are shown in [Table 3-1, “Core PLL Output Frequencies for 3.6864 MHz Crystal”](#). See [Section 3.6.1](#) for programming information on the L, M, and N factors. See [Section 3.6.1, “Core Clock Configuration Register \(CCCR\)”](#) for the hexadecimal settings.

Do not choose a combination that generates a frequency that is not supported in the voltage range and package in which the processor is operating.

SDCLK must not be greater than 100 MHz. If MEMCLK is greater than 100 MHz, the SDCLK to MEMCLK ratio must be set to 1:2 in the Memory Controller.

Table 3-1. Core PLL Output Frequencies for 3.6864 MHz Crystal

L	M	Turbo Mode Frequency (MHz) for Values "N" and Core Clock Configuration Register (CCCR[15:0]) programming for Values of "N"				PXbus Frequency (MHz)	MEM, LCD Frequency (MHz)	SDRAM max Frequency (MHz)
		1.00 (Run)	1.50	2.00	3.00			
27	1	99.5 @1.0 V	—	199.1 @1.0 V	298.6 @1.1 V	50	99.5	99.5
36	1	132.7 @1.0 V	—	—	—	66	132.7	66
27	2	199.1 @1.0 V	298.6 @1.1 V	398.1 @1.3 V	—	99.5	99.5	99.5
36	2	265.4 @1.1 V	—	—	—	132.7	132.7	66
45	2	331.8 @1.3 V	—	—	—	165.9	165.9	83
27	4	398.1 @1.3 V	—	—	—	196	99.5	99.5

Note: These are the only supported frequency settings.

3.3.4 95.85 MHz Peripheral Phase Locked Loop

The 95.85 MHz PLL is the clock source for many of the peripheral blocks' external interfaces. These interfaces require ~48 MHz (UDC/USB, FICP), ~33 MHz (I²C), and ~20 MHz (MMC). The generated frequency is not exactly the required frequency due to the chosen crystal and the lack of a perfect Least Common Multiple between the units. The chosen frequencies keep each unit's clock frequency within the unit's clock tolerance. If a crystal other than 3.6864 MHz is used, the clock frequencies to the peripheral blocks' interfaces may not yield the desired baud rates (or protocol's rate).

Table 3-2. 95.85 MHz Peripheral PLL Output Frequencies for 3.6864 MHz Crystal

Unit Name	Nominal Frequency	Actual Frequency
USB (UDC)	48 MHz	47.923 MHz
FICP	48 MHz	47.923 MHz
I ² C	33 MHz	31.949 MHz
MMC	20 MHz	19.169 MHz

3.3.5 147.46 MHz Peripheral Phase Locked Loop

The 147.46 MHz PLL is the clock source for many of the peripheral blocks' external interfaces. These interfaces require ~14.75 MHz (UARTs), 12.288 MHz (AC97), and variable frequencies (I²S). The generated frequency may not exactly match the required frequency due to the choice of crystal and the lack of a perfect Least Common Multiple between the units. The chosen frequencies

keep each unit's clock frequency within the unit's clock tolerance. If a crystal other than 3.6864 MHz is used, the clock frequencies to the peripheral blocks' interfaces may not yield the desired baud rates (or other protocol's rate)

Table 3-3. 147.46 MHz Peripheral PLL Output Frequencies for 3.6864 MHz Crystal

Unit Name	Nominal Frequency	Actual Frequency
UARTs	14.746 MHz	14.746 MHz
AC97	12.288 MHz	12.288 MHz
I ² S	146.76 MHz	147.46 MHz

3.3.6 Clock Gating

The Clocks Manager contains the CKEN register. This register contains configuration bits that can disable the clocks to individual units. The configuration bits are used when a module is not being used. After Hardware Reset, any module that is not being used must have its clock disabled. If a module is temporarily quiescent but does not have clock gating functionality, the CKEN register can be used to disable the unit's clock.

When a module's clock is disabled, the registers in that module are still readable and writable. The AC97 is an exception and is completely inaccessible if the clock is disabled.

3.4 Resets and Power Modes

The Clocks and Power Manager Unit determines the processor's Resets, Power Sequences and Power Modes. Each behaves differently during operation and has specific entry and exit sequences. The resets and power modes are:

- Hardware Reset
- Watchdog Reset
- GPIO Reset
- Run Mode
- Turbo Mode
- Idle Mode
- Frequency Change Sequence
- Sleep Mode

3.4.1 Hardware Reset

To invoke the Hardware Reset and reset all units in the processor to a known state, assert the nRESET pin. Hardware Reset is only intended to be used for power up and complete resets.

3.4.1.1 Invoking Hardware Reset

Hardware Reset is invoked when the nRESET pin is pulled low by an external source. The processor does not provide a method of masking or disabling the propagation of the external pin value. When the nRESET pin is asserted, Hardware Reset is invoked, regardless of the mode of operation. The nRESET_OUT pin is asserted when the nRESET pin is asserted. To enter Hardware Reset, nRESET must be held low for t_{DHW_NRESET} to allow the system to stabilize and the reset state to propagate. Refer to the Intel® PXA255 Processor *Electrical, Mechanical, and Thermal Specification* for details.

3.4.1.2 Behavior During Hardware Reset

During Hardware Reset, all internal registers and units are held at their defined reset conditions. While the nRESET pin is asserted, nothing inside the processor is active except the 3.6864 MHz oscillator. The internal clocks are stopped and the chip is static. All pins return to their reset conditions and the nBATT_FAULT and nVDD_FAULT pins are ignored. Because the memory controller receives a full reset, all dynamic RAM contents are lost during Hardware Reset.

3.4.1.3 Completing Hardware Reset

To complete Hardware Reset, deassert the nRESET pin. All power supplies must be stable for t_{D_NRESET} before nRESET is deasserted. Refer to the Intel® PXA255 Processor *Electrical, Mechanical, and Thermal Specification* for details. After the nRESET pin is deasserted, the following sequence occurs:

1. The 3.6864 MHz oscillator and internal PLL clock generators wait for stabilization.
2. The nRESET_OUT pin is deasserted.
3. The normal boot-up sequence begins. All processor units return to their predefined reset conditions. Software must examine the Reset Controller Status register (RCSR) to determine the cause for the boot.

3.4.2 Watchdog Reset

Watchdog Reset is invoked when software fails to properly prevent the Watchdog Time-out Event from occurring. It is assumed that Watchdog Resets are only generated when software is not executing properly and has potentially destroyed data. In Watchdog Reset all units in the are reset except the Clocks and Power Manager.

3.4.2.1 Invoking Watchdog Reset

Watchdog Reset is invoked when the Watchdog Enable bit (WE) in the OWER is set and the OSMR[3] matches the OS timer counter. When these conditions are met, they invoke Watchdog Reset, regardless of the previous mode of operation. Watchdog Reset asserts nRESET_OUT.

3.4.2.2 Behavior During Watchdog Reset

During Watchdog Reset, all units except the Real Time Clock and parts of the Clocks and Power Manager maintain their defined reset conditions. All pins except the oscillator pins assume their reset conditions and the nBATT_FAULT and nVDD_FAULT pins are ignored. All dynamic RAM contents are lost during Watchdog Reset because the memory controller receives a full reset.

Refer to [Table 2-6, “Pin & Signal Descriptions for the PXA255 Processor”](#) for the pin states during Watchdog and other Resets.

3.4.2.3 Completing a Watchdog Reset

Watchdog resets immediately revert to hardware resets when the nRESET pin is asserted. Otherwise, the completion sequence for watchdog reset is:

1. The 3.6864 MHz oscillator and internal PLL clock generators wait for stabilization. The 32.768 kHz oscillator's configuration and status are not affected by watchdog reset.
2. The nRESET_OUT pin is deasserted after t_{DHW_OUT} . Refer to the Intel® PXA255 Processor *Electrical, Mechanical, and Thermal Specification*.
3. The normal boot-up sequence begins. All processor units except the RTTR in the RTC and parts of the Clocks and Power Manager return to their predefined reset conditions. Software must examine the RCSR to determine the cause for the reboot.

3.4.3 GPIO Reset

A GPIO Reset is invoked when GP[1] is properly configured as a reset source and is asserted low for greater than four 3.6864-MHz clock cycles. In GPIO Reset all processor units except the RTC, parts of the Clocks and Power Manager, and the Memory Controller return to their predefined, known states.

3.4.3.1 Invoking GPIO Reset

To use the GPIO Reset function, set it up through the GPIO Controller. The GP[1] pin must be configured as an input and set to its alternate GPIO Reset function in the GPIO Controller. The GPIO Reset alternate function is level-sensitive and not edge-triggered. To ensure no spurious resets are generated when the alternate GPIO Reset function is set, follow these steps:

1. GP[1] must be set up as an output with its data register set to a 1.
2. Externally drive the GP[1] pin to a high state.
3. Configure GP[1] as an input.
4. Configure GP[1] for its Alternate (Reset) Function.

The previous mode of operation does not affect a GPIO Reset. When performing a GPIO Reset, nRESET_OUT is asserted. If GP[1] is asserted for less than four 3.6864-MHz clock cycles, the processor may remain in its previous mode or enter into a GPIO reset.

GPIO Reset does not function in Sleep Mode because all GPIO pins' Alternate Function Inputs are disabled. External wake-up sources must be routed through one of the enabled GPIO wake-up sources (see [Section 3.5.3](#) for details) during Sleep Mode. GP[1] may be enabled as a wake-up source.

3.4.3.2 Behavior During GPIO Reset

During GPIO Reset, most, but not all, internal registers and processes are held at their defined reset conditions. The exceptions are the RTC, the Clocks and Power Manager (unless otherwise noted), and the Memory Controller. During GPIO Reset, the clocks unit continues to operate with its

previously programmed values, so the processor enters and exits GPIO Reset with the same clock configurations. All pins except the oscillator and Memory Controller pins return to their reset conditions and the nBATT_FAULT and nVDD_FAULT pins are ignored.

GPIO Reset does not reset the Memory Controller Configuration registers. This creates the possibility that the contents of external memories may be preserved if the external memories are properly configured before GPIO Reset is entered. To preserve SDRAM contents during a GPIO Reset, software must correctly configure the Memory Control and the time spent in GPIO Reset must be shorter than the SDRAM refresh interval. The amount of time spent in GPIO Reset depends on the CPU's mode before GPIO Reset. See [Section 6, "Memory Controller"](#) for details.

Refer to [Table 2-6, "Pin & Signal Descriptions for the PXA255 Processor"](#) for the states of all the PXA255 processor pins during GPIO reset and other resets.

3.4.3.3 Completing GPIO Reset

GPIO Reset immediately reverts to Hardware Reset when the nRESET pin is asserted. Otherwise, the completion sequence for GPIO Reset is:

1. The GPIO Reset Source is deasserted because the internal reset has propagated to the GPIO Controller and its registers, which are set back to their reset states.
2. The nRESET_OUT pin is deasserted.
3. The normal boot-up sequence begins. All processor units except the Real Time Clock, parts of the Clocks and Power Manager, and the Memory Controller return to their predefined reset conditions. Software must examine the RCSR to determine the cause for the reset.

3.4.4 Run Mode

Run Mode is the processor's normal operating mode. All power supplies are enabled and all functionally enabled clocks are running. Run Mode is entered after any power mode, power sequence, or reset completes its sequence. Run Mode is exited when any other power mode, power sequence, or reset begins.

3.4.5 Turbo Mode

Turbo Mode allows the user to clock the processor core at a higher frequency during peak processing requirements. It allows a synchronous switch in frequencies without disrupting the Memory Controller, LCD Controller, or any peripheral.

3.4.5.1 Entering Turbo Mode

Turbo Mode is invoked when software sets the TURBO bit in the Clock Config (CCLKCFG) Register (See [Section 3.7.1](#)). After software sets the TURBO bit, the CPU waits for all instructions currently in the pipeline to complete. When the instructions are completed, the CPU resumes operation at the higher Turbo Mode Frequency.

Software can set or clear other bits in the CCLKCFG in the same write that sets the TURBO bit. The other bits in the register take precedence over Turbo Mode, so, if another bit is set, that mode's sequence is followed before the CPU enters Turbo Mode. When the CPU exits the other mode, it enters either Run or Turbo Mode, based on the state of the CCLKCFG [TURBO] bit.

Do not confuse the CCLKCFG Register, which is in Coprocessor 14, with the CCCR (See [Section 3.6.1](#)), which is in the processor's Clocks and Power Manager.

3.4.5.2 Behavior in Turbo Mode

The processor's behavior in Turbo Mode is identical to its behavior in Run Mode, except that the processor's clock frequency relative to the memory and peripherals is increased by N , the value in the CCCR (see [Section 3.6.1](#)). Turbo mode is intended for use during peak processing, when there are very few accesses to external memory. The higher Core to external memory clock ratio increases the relative delay for each external memory access. This increased delay lowers the processor's power efficiency. For optimum performance, software must load applications in the caches in Run Mode and execute them in Turbo Mode.

3.4.5.3 Exiting Turbo Mode

To exit Turbo Mode, software clears the TURBO bit in the CCLKCFG Register. After software clears the TURBO bit, the CPU waits for all instructions in the pipeline to complete. When the instructions are completed, the CPU enters Run Mode.

Other bits in the CCLKCFG may be set or cleared in the write that clears CCLKCFG [TURBO]. All other bits in the register take precedence over Turbo Mode, so the new mode's proper sequence is followed.

Idle, Sleep, Frequency Change Sequence, and Reset have precedence over Turbo Mode and cause the processor to exit Turbo Mode. When the CPU exits one of these modes, it enters either Run or Turbo Mode, based on the state of CCLKCFG [TURBO].

3.4.6 Idle Mode

Idle Mode allows the user to stop the CPU core clock during periods of processor inactivity and continue to monitor on- and off-chip interrupt service requests. Idle mode does not change clock generation, so when an interrupt occurs the CPU is quickly reactivated in the state that preceded Idle Mode.

During Idle mode these resources are active:

- System unit modules (real-time clock, operating system timer, interrupt controller, general-purpose I/O, and clocks and power manager)
- Peripheral unit modules (DMA controller, LCD controller, and all other peripheral units)
- Memory Controller resources

3.4.6.1 Entering Idle Mode

During Idle Mode, the clocks to the CPU core stop. All critical applications must be finished and peripherals must be set up to generate interrupts when they require CPU attention. To enter the Idle Mode, software selects Idle Mode in PWRMODE[M] (See [Section 3.7.2](#)). An interrupt immediately aborts Idle Mode and normal processing resumes. After software selects Idle Mode, the CPU waits until all instructions in the pipeline are completed. When the instructions are completed, the CPU clock stops and Idle Mode begins. In Idle Mode, interrupts are recognized as wake-up sources.

3.4.6.2 Behavior in Idle Mode

In Idle Mode the CPU clocks are stopped, but the remainder of the processor operates normally. For example, the LCD controller can continue refreshing the screen with the same frame buffer data in memory.

When ICCR[DIM] is cleared, any enabled interrupt wakes up the processor. When ICCR[DIM] is set, only unmasked interrupts cause wake-up.

Enabled interrupts are interrupts that are allowed at the unit level. Masked interrupts are interrupts that are prevented from interrupting the core based on the Interrupt Controller Mask Register.

3.4.6.3 Exiting Idle Mode

Idle Mode exits when any Reset is asserted. Reset entry and exit sequences take precedence over Idle Mode. When the Reset exit sequence is completed, the CPU is not in Idle Mode. If the Watchdog Timer is enabled, software must set the Watchdog Match Registers before it sets Idle Mode to ensure that another interrupt will bring the processor out of Idle Mode before the Watchdog Reset is asserted. Use an RTC alarm or another OS timer channel for this purpose.

Any enabled interrupt causes Idle Mode to exit. When ICCR[DIM] is cleared, the Interrupt Controller Mask register (ICMR) is ignored during Idle Mode. This means that an interrupt does not have to be unmasked to cause Idle Mode to exit. Idle Mode exits in the following sequence:

1. A valid, enabled Interrupt asserts.
2. The CPU clocks restart and the CPU resumes operation at the state indicated by CCLKCFG [TURBO].

Idle Mode also exits when the nBATT_FAULT or nVDD_FAULT pin is asserted. When either pin is asserted, Idle Mode exits in the following sequence:

1. The nBATT_FAULT or nVDD_FAULT pin is asserted.
2. If the Imprecise Data Abort Enable (IDAE) bit in the Power Manager Control Register (PMCR) is clear (not recommended), the processor enters Sleep Mode immediately.
3. If the IDAE bit is set, the nBATT_FAULT or nVDD_FAULT assertion is treated as a valid interrupt to the clocks module and Idle Mode exits using its normal, interrupt-driven sequence. Software must then shut down the system and enter Sleep Mode. See [Section 3.4.9.3, “Entering Sleep Mode”](#) for more details.

3.4.7 Frequency Change Sequence

The Frequency Change Sequence is used to change the processor clock frequency. During the Frequency Change Sequence, the CPU, Memory Controller, LCD Controller, and DMA clocks stop. The other peripheral units continue to function during the Frequency Change Sequence. This mode is intended to be used to change the frequency from the default condition at initial boot-up. It may also be used as a power-saving feature used to allow the processor to run at the minimum required frequency when the software requires major changes in frequency.

3.4.7.1 Preparing for a Frequency Change Sequence

Software must complete the following steps before it initiates the Frequency Change Sequence:

1. Configure the Memory Controller to ensure SDRAM contents are maintained during the Frequency Change Sequence. The Memory Controller's refresh timer must be programmed to match the maximum refresh time associated with the slower of two frequencies (current and desired). The SDRAM divide by two must be set to a value that prevents the SDRAM frequency from exceeding the specified frequency. For example, to change from 100/100 to 133/66, the SDRAM bus must be set to divide by two before the frequency change. To change from 133/66 to 100/100, the SDRAM must be set to one-to-one after the frequency change sequence is completed. See [Section 6, "Memory Controller"](#) for more details.
2. Disable the LCD Controller or configure it to avoid the effects of an interruption in the LCD clocks and data from the processor.
3. Configure peripheral units to handle a lack of DMA service for up to 500 μ s. If a peripheral unit can not function for 500 μ s without DMA service, it must be disabled.
4. Disable peripheral units that can not accommodate a 500 μ s interrupt latency. The interrupts generated during the Frequency Change Sequence are serviced when the sequence exits.
5. Program the CCCR ([Section 3.6.1, "Core Clock Configuration Register \(CCCR\)"](#)) to reflect the desired frequency.

3.4.7.2 Invoking the Frequency Change Sequence

To invoke the Frequency Change Sequence, software must set FCS in the CCLKCFG (See [Section 3.7.1](#)). When software sets FCS, it may also set or clear other bits in CCLKCFG. If software sets the TURBO bit in the same write, the CPU enters Turbo Mode when the Frequency Change Sequence exits.

After software sets the FCS:

1. The CPU clock stops and interrupts to the CPU are gated.
2. The Memory Controller completes all outstanding transactions in its buffers and from the CPU. New transactions from the LCD or DMA controllers are ignored.
3. The Memory Controller places the SDRAM in self-refresh mode.

Note: Program the Memory Controller to ensure the correct self-refresh time for SDRAM, given the slower of the current and desired clock frequencies.

3.4.7.3 Behavior During the Frequency Change Sequence

In the frequency change sequence, the processor's PLL clock generator is in the process of locking to the correct frequency and cannot be used. This means that interrupts cannot be processed. Interrupts that occur during the frequency change sequence are serviced after the processor's PLL has locked. The 95.85 MHz and 147.46 MHz PLL clock generators are active and peripherals, except the memory, LCD, and DMA controllers, may continue to operate normally, provided they can accommodate the inability to process DMA or interrupt requests. DMA or interrupt requests are not recognized until the frequency change sequence is complete.

The Imprecise Data Abort is also not recognized and if nVDD_FAULT or nBATT_FAULT is asserted, the assertion is ignored until the Frequency Change Sequence exits. This means that the processor does not enter Sleep Mode until the Frequency Change Sequence is complete.

3.4.7.4 Completing the Frequency Change Sequence

The Frequency Change Sequence exits when any Reset is asserted. In Hardware and Watchdog Resets, the Reset entry and exit sequences take precedence over the Frequency Change Sequence and the PLL resumes in its Reset condition. In GPIO Reset, the Reset exit sequence is delayed while the PLL relocks and the frequency is set to the desired frequency of the Frequency Change Sequence.

If the Watchdog Timer is enabled during the Frequency Change Sequence, set the Watchdog Match Register to ensure that the Frequency Change Sequence completes before the Watchdog Reset is asserted.

If Hardware or Watchdog Reset is asserted during the Frequency Change Sequence, the DRAM contents are lost because all states, including Memory Controller configuration and information about the previous Frequency Change Sequence, are reset. If GPIO Reset is asserted during the Frequency Change Sequence, the SDRAM contents will be lost during the GPIO Reset exit sequence if the SDRAM is not in self-refresh mode and the exit sequence exceeds the refresh interval.

Normally, the Frequency Change Sequence exits in the following sequence:

1. The processor's PLL clock generator is reprogrammed with the desired values, which are in the CCCR, and begins to relock to those values.

Note: This sequence occurs even if the before and after frequencies are the same.

2. The internal PLL clock generator for the processor clock waits for stabilization. Refer to the *Intel® PXA250 and PXA210 Application Processors Electrical, Mechanical, and Thermal Specification* for details.
3. The CPU clocks restart and the CPU resumes operation at the state indicated by the TURBO bit (either Run or Turbo Mode). Interrupts to the CPU are no longer gated.
4. The FCS bit is not automatically cleared. To prevent an accidental return to the Frequency Change Sequence, software must not immediately clear the FCS bit. The bit must be cleared on the next required write to the register.
5. Values may be written to the CCCR, but they are ignored until the Frequency Change Sequence is re-entered.
6. The SDRAM must transition out of self-refresh mode and into its idle state. See [Section 6, "Memory Controller"](#) for details on configuring the SDRAM interface.

3.4.8 33-MHz Idle Mode

33-MHz idle mode has the lowest power consumption of any idle mode. The run mode frequency selected in the Core Clock Configuration Register (CCCR) directly affects the processor idle mode power consumption. Faster run mode frequencies consume more power. 33-MHz idle mode places the processor a special low speed run mode before entering idle. This is similar to normal idle since the CPU core clock can be stopped during periods of processor inactivity and continue to monitor on- and off-chip interrupt service requests. 33-MHz idle limitations are:

- Peripherals will not function correctly and should be disabled before entering this mode.
- A Frequency Change Sequence must be performed upon entry to and exit from 33-MHz idle mode.

- SDRAM is placed in self refresh before entering 33-MHz idle mode, because SDRAM cannot be refreshed correctly in 33-MHz idle mode. Carefully consider the processor interrupt behavior when the SDRAM in self refresh. To allow the interrupts to occur while SDRAM is in self refresh, set the I and F bits in the CPSR. This allows interrupts to wake the processor from idle mode without jumping to the interrupt handler. When the system's SDRAM is no longer in self refresh, the I and F bits can be cleared and the interrupt is handled.
- Because nBATT_FAULT and nVDD_FAULT can cause a data abort interrupt, the function of these pins in 33-MHz idle mode also needs special consideration. Either the Imprecise Data Abort Enable (IDAE) bit in the Power Manager Control Register (PMCR) must be clear, (causing the processor to immediately enter sleep mode if either nBATT_FAULT or nVDD_FAULT are asserted) or take software precautions to avoid starting execution in or trying to use SDRAM while it is in self refresh.

During 33-MHz idle mode these system unit modules are functional:

- Real-time clock
- Operating system timer
- Interrupt controller
- General purpose I/O
- Clocks and power manager
- Flash ROM/SRAM

Unlike normal idle mode, in 33-MHz idle mode all other peripheral units cannot be used, including SDRAM, LCD and DMA controllers.

3.4.8.1 Entering 33-MHz Idle Mode

During idle mode, the processor core clocks stop. Before the clocks stop, all critical applications must be finished and peripherals turned off. If software is executing from SDRAM, the last three of the following steps must be loaded into the cache before being performed.

1. Set the I and F bits in the CPSR register to mask all interrupts
2. Place the SDRAM into self refresh mode
3. Perform a frequency change sequence to 33MHz mode. The CCCR value for this mode is 0x13F
4. Enter idle mode by selecting the PWRMODE[M] bit (refer to [Section 3.7.2](#))

3.4.8.2 Behavior in 33-MHz Idle Mode

In 33-MHz idle mode the CPU clocks are stopped. While in 33-MHz idle mode these features of the processor all operate normally: the RTC timer, the OS timers including the watchdog timer, and the GPIO interrupt capabilities.

When ICCR[DIM] is cleared, any enabled interrupt wakes up the processor. When ICCR[DIM] is set, only unmasked interrupts cause wake-up.

Enabled interrupts are interrupts that are allowed at the unit level. Masked interrupts are interrupts that are prevented from interrupting the core based on the Interrupt Controller Mask Register (ICMR).

3.4.8.3 Exiting 33-MHz Idle Mode

The 33-MHz idle mode exit procedure is the same as the exit procedure for normal idle mode. However, because the I and F bits are set in the CPSR, the processor does not immediately jump to the interrupt vector. Instead processing continues with the instruction following the last executed instruction before 33-MHz idle mode was entered. If execution occurs from SDRAM, steps 1 and 2 must have been previously loaded into the instruction cache. The steps below are then taken:

1. Perform a frequency change to a supported run mode frequency, greater or equal to 100 MHz.
2. Take the SDRAM out of self refresh.
3. Clear the I and F bits in the CPSR. Execution immediately jumps to the pending interrupt handler.

3.4.9 Sleep Mode

Sleep Mode offers lower power consumption at the expense of the loss of most of the internal processor state. In Sleep Mode, the processor goes through an orderly shut-down sequence and power is removed from the core. The Power Manager watches for a wake-up event and, after it receives one, re-establishes power and goes through a reset sequence. During Sleep Mode, the RTC and Power Manager continue to function. Pin states can be controlled throughout Sleep Mode and external SDRAM is preserved because it is in self-refresh mode.

Because all activity on the processor except the RTC stops when Sleep Mode starts, peripherals must be disabled to allow an orderly shutdown. When Sleep Mode exits, the processor's state resets and processing resumes in a boot-up mode.

3.4.9.1 Sleep Mode External Voltage Regulator Requirements

To implement Sleep Mode in the simplest manner, the External Voltage Regulator, which supplies power to the processor's internal elements, must have the following characteristics:

- A power enable input pin that enables the primary supply output connected to VCC and PLL_VCC. This pin must be connected to the processor's PWR_EN pin. To support fast sleep walk-up by maintaining power during sleep, the regulator should be software configurable to ignore PWR_EN. When PWR_EN is not used, VCC and PLL_VCC may be powered on before or simultaneously with VCCN and VCCQ. In this configuration, when PWR_EN is deasserted, the core regulator must be able to maintain regulation when the load power is as little as 0.5 mW. Core supply current during sleep will vary with voltage and temperature.
- When core power is enabled during sleep, the power management IC or logic that generates nVDD_FAULT must assert this signal when any supply including VCC and PLL_VCC falls below the lower regulation limit during sleep. nVDD_FAULT must not be deasserted until all supplies are in regulation again since there is no power supply stabilization delay during the fast sleep walk-up sequence. If nVDD_FAULT is asserted during fast sleep walk-up, then the processor returns to Sleep Mode.
- When configured to disable the core supply to save power during sleep, the core regulator's output must be driven to ground when PWR_EN goes low.
- Higher-voltage outputs connected to VCCQ and VCCN are continuously driven and do not change when the PWR_EN pin is asserted.

3.4.9.2 Preparing for Sleep Mode

Before Sleep Mode starts, software must take the following steps:

1. The Memory Controller must be configured to ensure SDRAM contents are maintained during Sleep Mode. See [Section 6, “Memory Controller”](#) for details.
2. If a graceful shutdown is required for a peripheral, the peripheral must be disabled before Sleep Mode asserts. This includes monitoring DMA transfers to and from peripherals or memories to ensure they are completed. All other peripherals need not be disabled, since they are held in their reset states internally during Sleep Mode.
3. The following Power Manager registers must be set up for proper sleep entry and exit:
 - PM GPIO Sleep State registers (PGSR0, PGSR1, PGSR2). To avoid contention on the bus when the processor attempts to wake up, ensure that the chip selects are not set to 0 during sleep mode. If a GPIO is used as an input, it must not be allowed to float during sleep mode. The GPIO can be pulled up or down externally or changed to an output and driven with the unasserted value.
 - PM General Configuration Register Float bits [FS/FP] must be configured appropriately for the system. The General Configuration Register Float bits must be cleared on wake up. To avoid contention on the bus when the processor attempts to wake up, ensure that the chip selects are not set to 0 during sleep mode. The PCFR[OPDE] bit must be cleared to leave the 3.6864 MHz enabled during sleep if the fast walk-up sleep configuration is selected by setting the PMFW[FWAKE] bit.
 - PMFW configuration register must be set to select between the standard and fast sleep wakeup configurations. Set PMFW[FWAKE] to 1 to disable the 10 ms power supply stabilization delay during sleep wakeup if power is maintained during sleep. This configuration reduces the sleep wakeup time to approximately 650 μ s.
4. Before the IDAE bit is set, software must configure an imprecise data abort exception handler to put the processor into sleep mode when a data abort occurs in response to nVDD_FAULT or nBATT_FAULT assertion. This abort exception event indicates that the processor is in peril of losing its main power supply.
5. The following Power Manager registers must be set up to detect wake-up sources and oscillator activity:
 - PM GPIO Sleep State registers (PGSR0, PGSR,1 and PGSR2).
 - PM Wake-up Enable register (PWER)
 - PM GPIO Falling-edge Detect Enable and PM GPIO Rising-edge Detect Enable registers (PFER and PRER)
 - OPDE bit in the Power Manager Configuration Register (PCFR)
 - IDAE bit in PMCR

Note: The PCFR[OPDE] bit must be cleared to enable the 3.6864 MHz oscillator during sleep when fast sleep wakeup is selected by setting the PMFW[FWAKE] bit.

3.4.9.3 Entering Sleep Mode

Software uses the PWRMODE register to enter sleep mode (See [Section 3.7.2](#)).

If the external voltage regulator is failing or the main battery is low or missing, some systems must enter sleep mode quickly. When nBATT_FAULT or nVDD_FAULT is asserted, the system is required to shut down immediately.

To allow the assertion of nVDD_FAULT or nBATT_FAULT to cause an imprecise data abort, set the Imprecise Data Abort Enable (IDAE) bit in the PMCR. Setting the IDAE bit in the PMCR will result in software executing the data abort handler routine as part of entering sleep mode. If the IDAE bit is clear, the processor enters sleep mode immediately without executing the abort handler routine.

Note: Using an exception handler to invoke sleep in response to a power fault event is advantageous because software can clear the PMFW[FWAKE] bit and configure the power management IC to use PWR_EN to disable the core power supply during sleep to minimize power consumption from a critically low battery.

PSSR[VFS] and PSSR[BFS] can not be used prior to entering Sleep Mode to determine which type of fault occurred, VDD fault or battery fault, respectively. If either nVDD_FAULT or nBATT_FAULT signals are asserted or if both are asserted at the same time (and the IDAE bit of the PMCR is set), the software data abort handler will be called. Since there is only one common data abort handler, software must first determine if one of the two nVDD_FAULT or nBATT_FAULT assertion events resulted in an imprecise data abort by reading Coprocessor 7, Register 4, Bit 5 (PSFS). If the PSFS bit is cleared, neither a nVDD_FAULT or nBATT_FAULT assertion occurred and the data abort handler was called for some other reason. If the PSFS bit is set, this indicates either a nVDD_FAULT or nBATT_FAULT assertion occurred, but it is not possible to determine which of the two faults was asserted. For either case, nVDD_FAULT or nBATT_FAULT assertion, software should shut the system down as quickly as possible by performing the steps outlined below to enter Sleep Mode.

Note: All addresses (data and instruction) used in the abort handler routines should be resident and accessible in the memory page tables, i.e. system software developers should ensure no further aborts occur while executing an abort handler. The processor does not support recursive (nested) aborts. The system must not assert nBATT_FAULT or nVDD_FAULT signals more than once before nRESET_OUT is asserted. System software can not return to normal execution following a nBATT_FAULT or nVDD_FAULT. If a battery or VDD fault occurs while executing in the abort mode, the abort handler is reentered. This condition of a recursive abort occurrence can be detected in software by reading the Saved Program Status Register (SPSR) to see if the previous context was executing in abort mode.

To enter Sleep Mode, software must complete the following sequence:

1. Software uses external memory and the Power Manager Scratch Pad Register (PSPR) to preserve critical states.
2. Software sets Sleep Mode in PWRMODE[M]. An interrupt immediately aborts Sleep Mode and normal processing resumes.
3. The CPU waits until all instructions in the pipeline are complete.
4. The Memory Controller completes outstanding transactions in its buffers and from the CPU. New transactions from the LCD or DMA controllers are ignored.
5. The Memory Controller places the SDRAM in self-refresh mode.
6. The Power Manager switches the GPIO output pins to their sleep state. This sleep state is programmed in advance by loading the Power Manager GPIO Sleep State registers (PGSR0, PGSR1, and PGSR2). To avoid contention on the bus when the processor attempts to wake up, ensure that the chip selects are not set to 0 during sleep mode.

7. The CPU clock stops and power is removed from the Core.
8. PWR_EN is deasserted.

When the Power Manager get the indication from the Memory Controller that it has finished its outstanding transactions and has put the SDRAM into self-refresh, there are eight core clock cycles before the GPIOs latch the PGSR values and four core clock cycles after that, nRESET_OUT asserts low.

In some systems the Imprecise Data Abort latency lasts longer than the residual charge in the failed power supply can sustain operation. This normally only occurs when the processor is in a Power Mode or Sequence that requires that the processor exit before Sleep Mode starts. Frequency Change Sequence is an example of such a Power Sequence. In these Power Modes and Sequences, the IDAE bit must not be set. This allows the processor to enter Sleep Mode immediately but any critical states in the processor are lost.

If the IDAE bit is not set and the nVDD_FAULT or nBATT_FAULT pin is asserted, the Sleep Sequence begins at Step 4.

3.4.9.4 Behavior in Sleep Mode

In Sleep Mode, all processor and peripheral clocks are disabled, except the RTC. The processor does not recognize interrupts or external pin transitions except valid wake-up signals, Reset signals, and the nBATT_FAULT signal.

If the nBATT_FAULT signal is asserted while in Sleep Mode, GPIO[1:0] are set as the only valid wake-up signals.

The Power Manager watches for wake up events programmed by the CPU before Sleep Mode starts or set by the Power Manager it detects a fault condition. In order to detect a rising-edge or falling-edge on a GPIO pin, the rising- or falling-edge must be held for more than one full 32.768 kHz clock cycle. The Power Manager takes three 32.768 kHz clock cycles to acknowledge the GPIO edge and begin the wake up sequence.

Refer to [Table 2-6, “Pin & Signal Descriptions for the PXA255 Processor”](#) on page 2-9 for the PXA255 processor pin states during sleep mode reset and other resets.

3.4.9.5 Exiting Sleep Mode

Sleep Mode exits when Hardware Reset is asserted. Hardware Reset's entry and exit sequences take precedence over Sleep Mode.

Note: If Hardware Reset is asserted during Sleep Mode, the DRAM contents are lost because all states, including Memory Controller configuration and information about the previous Sleep Mode, are reset.

Normally, Sleep Mode exits in the following sequence. Any time the nBATT_FAULT pin is asserted, the processor returns to Sleep Mode. The nVDD_FAULT pin is ignored until the external power supply stabilization timer expires.

1. A pre-programmed wake up event from an enabled GPIO or RTC source occurs. If the nBATT_FAULT pin is asserted, the wake up source is ignored.

2. The PWR_EN signal is asserted and the Power Manager waits for the external power supply to stabilize. If nVDD_FAULT is asserted after the external power supply timer expires, the processor returns to Sleep Mode.
3. If PCFR[OPDE] and OSCC[OON] were set when Sleep Mode started, the 3.6864 MHz oscillator is enabled and stabilizes. Otherwise, the 3.6864 MHz oscillator is already stable and this step is bypassed.
4. The processor's PLL clock generator is reprogrammed with the values in the CCCR and stabilizes.
5. The Sleep Mode configuration in PWRMODE[M] is cleared.
6. The processor's internal reset is deasserted and the CPU begins a normal boot sequence. When the normal boot sequence begins, all of the processor's units, except the RTC and portions of the Clocks and Power Manager and the Memory Controller, return to their predefined reset settings.
7. The nRESET_OUT pin is deasserted. This indicates that the processor is about to perform a fetch from the Reset vector.
8. Clear PSSR[PH] before accessing GPIOs, including chip selects that are muxed with GPIOs.
9. Clear PCFR[FS] and PCFR[FP] if either was set before Sleep Mode was triggered.
10. The SDRAM must transition out of self-refresh mode and into its idle state. See [Section 6, "Memory Controller"](#) for details on configuring the SDRAM interface.
11. Software must examine the RCSR, to determine what caused the reboot, and the Power Manager Sleep Status register (PSSR), to determine what triggered Sleep Mode.
12. If the PSPR was used to preserve any critical states during Sleep Mode, software can now recover the information.

If the nVDD_FAULT or nBATT_FAULT pin is asserted during the Sleep Mode exit sequence, the system re-enters Sleep Mode in the following sequence:

1. Regardless of the state of the IDAE bit:
 - All GPIO edge detects and the RTC alarm interrupt are cleared.
 - The Power Manager wake-up source registers (PWER, PRER, and PFER) are loaded with 0x0000 0003, their wake-up fault state. This limits the potential wake-up sources to a rising or falling edge on GPIO[0] or GPIO[1]. The wake-up fault state prevents spurious events from causing an unwanted wake-up while the battery is low or the power supply is at risk. The fault state is also the default state after a Hardware Reset.
2. The PLL clock generators are disabled.
3. If the OPDE bit in the PCFR is set and the OON bit in the OSCC is set, the 3.6864 MHz oscillator is disabled. If the oscillator is disabled, Sleep Mode consumes less power. If it is enabled, Sleep Mode exits more quickly.
4. An internal reset is generated to the core and most peripheral modules. This reset asserts the nRESET_OUT pin.
5. The PWR_EN pin is deasserted. If PMFW[FWAKE] is cleared, the system must respond by grounding the VCC and PLL_VCC power supplies to minimize power consumption.

3.4.10 Power Mode Summary

Table 3-4 shows the actions that occur when a Power Mode is entered. Table 3-5 shows the actions that occur when a Power Mode is exited. In the tables, an empty cell means that the power mode skips that step. Table 3-6 shows the expected behavior for power supplies in each power mode.

Table 3-4. Power Mode Entry Sequence Table

Step	Description of Action	Turbo	Run (from Turbo)	Idle	Freq Change	Sleep	Fault ¹ Sleep
1	Software writes a bit in CP14	x	x	x	x	x	
2	The CPU waits until all instructions to be completed	x	x	x	x	x	
3	Wake up sources are cleared and limited to GP[1:0]						x
4	The PM places GPIOs in their sleep states					x	x
5	The Memory Controller finishes all outstanding transactions				x	x	x
6	The Memory Controller places SDRAMs in self-refresh				x	x	x
7	The PLL is disabled				x	x	x
8	If OPDE and OOK bits are set, disable 3.6864 MHz oscillator					x	x
9	Internal Reset to most modules. nRESET_OUT asserted					x	x
10	PWR_EN is deasserted. Power is cut off					x	x
11	Power to most I/O pins is cut off						

1: Fault Sleep Mode starts if IDAE is clear and nBATT_FAULT or nVDD_FAULT is asserted.

Table 3-5. Power Mode Exit Sequence Table (Sheet 1 of 2)

Step	Description of Action	Turbo	Run (from Turbo)	Idle	Freq Change	Sleep	Fault ¹ Sleep
1	Wake up source or Interrupt is received			x		x	x
2	Power to I/O pins restored						
3	PWR_EN is asserted					x	x
4	External power ramp					x	x
5	Enable 3.6864 MHz oscillator if OPDE and OOK are set					x	x
6	Wait for 3.6864 MHz oscillator to stabilize if OPDE and OOK are set					x	x
7	Enable PLL with new frequency				x	x	x
8	Wait for PLL stabilization				x	x	x
9	Wait for internal stabilization					x	x
10	Clear CP14 bit			x		x	

Table 3-5. Power Mode Exit Sequence Table (Sheet 2 of 2)

Step	Description of Action	Turbo	Run (from Turbo)	Idle	Freq Change	Sleep	Fault ¹ Sleep
11	Deassert nRESET_OUT					x	x
12	Restart CPU clocks, enable interrupts	x	x	x	x	x	x

1: Fault Sleep Mode starts if IDAE is clear and nBATT_FAULT or nVDD_FAULT is asserted.

Table 3-6. Power and Clock Supply Sources and States During Power Modes

Module	Supply Source		Power Mode									
			Turbo		Run		Idle		Freq Change		Sleep	
	Pw	Ck	Pw	Ck	Pw	Ck	Pw	Ck	Pw	Ck	Pw	Ck
CPU, Caches, Buffers	VCC	Run/Turbo (R/T)		T		R		Off	changing			
Memory Controller		Mem	On		On		On			On	Off	Off
LCD Controller												
DMA Controller			On		On		On			On		
General Periphs.		PLL								On		
OS timer		3.686 MHz Osc										
Interrupts												
Real Time Clock	VCC/Reg (V/R)	32.768 kHz Osc	V	On	V	On	V	On	V	On	I	On
Power Manager												
GP[3:0], PM pads, Osc pads	HV/Batt (H/B)	Dynamic/Static (D/S)	H	D	H	D	H	D	H	D	H	S
General IO	H											

KEY:

- T: Turbo clock
- R: Run clock
- V: Module powered off VCC.
- I: Module powered off internal regulator
- H: Module powered off VCCQ or VCCN
- D: Module is dynamic or actively clocked
- S: Module is static or clocks are gated.

3.5 Power Manager Registers

This section describes the 32-bit registers that control the Power Manager.

3.5.1 Power Manager Control Register (PMCR)

The PMCR is used to select the manner in which Sleep Mode is entered when the nVDD_FAULT or the nBATT_FAULT pin is asserted low. When the IDAE bit is set, an Imprecise Data Abort indication is sent to the CPU. The CPU then performs an abort routine. Software must ensure that the abort routine sets the Sleep Mode configuration in the PWRMODE register (see Section 3.7.2, “Power Mode Register (PWRMODE)”). The IDAE bit is cleared in any Reset and when Sleep Mode exits. Software may also clear the IDAE bit when necessary. The PMCR must be protected through Memory Management Unit (MMU) permissions.

This is a read/write register. Ignore reads from reserved bits. Write zeros to reserved bits.

Table 3-7. PMCR Bit Definitions

		0x40F0_0000																PMCR																Clocks and Power Manager															
Bit		31	30	29	28	27	26	25	24	23	22	21	20	19	18	17	16	15	14	13	12	11	10	9	8	7	6	5	4	3	2	1	0																
		Reserved																														IDAE																	
Reset		0	0	0	0	0	0	0	0	0	0	0	0	0	0	0	0	0	0	0	0	0	0	0	0	0	0	0	0	0	0	0	0																
Bits	Name	Description																																															
[31:1]	—	Reserved. Read undefined and must always be written with zeroes.																																															
0	IDAE	Imprecise Data Abort Enable. 0 – Allow immediate entry to sleep mode when nVDD_FAULT or nBATT_FAULT is asserted. 1 – Force imprecise data abort signal to CPU to allow software to enter sleep mode when nVDD_FAULT or nBATT_FAULT is asserted. Recommended mode. Cleared on hardware, watchdog, and GPIO reset, or when sleep mode exits.																																															

3.5.2 Power Manager General Configuration Register (PCFR)

The PCFR contains bits used to configure functions in the processor. When the OPDE bit is set, it allows the 3.6864 MHz oscillator to be disabled during Sleep Mode. The OPDE bit is cleared in Hardware, Watchdog, and GPIO Resets. The Float PCMCIA (FP) and Float Static Memory (FS) bits control the state of the PCMCIA control pins and the static memory control pins during Sleep Mode.

This is a read/write register. Ignore reads from reserved bits. Write zeros to reserved bits.

Table 3-8. PCFR Bit Definitions

		0x40F0_001C	PCFR	Clocks and Power Manager		
Bit		31 30 29 28 27 26 25 24 23 22 21 20 19 18 17 16 15 14 13 12 11 10 9 8 7 6 5 4 3 2 1 0				
			Reserved		FS	FP
Reset		0 0				
Bits	Name	Description				
[31:3]	—	Reserved. Read undefined and must always be written with zeroes.				
2	FS	Float Static Chip Selects during Sleep Mode. 0 = Static Chip Select pins are not floated in Sleep Mode. nCS[5:1] are driven to the state of the appropriate PGSR register bits. nCS[1], nWE, and nOE are driven high. 1 = Static Chip Select pins are floated in Sleep Mode. The pins nCS[5:0], nWE, and nOE are affected. Cleared on Hardware, Watchdog, and GPIO Resets.				
1	FP	Float PCMCIA controls during Sleep Mode. 0 = PCMCIA pins are not floated in Sleep Mode. They are driven to the state of the appropriate PGSR register bits. 1 = The PCMCIA signals: nPOE, nPWE, nPIOW, nPIOR, and nPCE[2:1] are floated in Sleep Mode. nPSKTSEL and nPREG are derived from address signals and assume the state of the address bus during Sleep Mode. Cleared on Hardware, Watchdog, and GPIO Resets.				
0	OPDE	3.6864 MHz oscillator power-down enable. If the 32.7686 kHz crystal is disabled because the OON bit in the Oscillator Configuration Register is 0, OPDE is ignored and the 3.6864 MHz oscillator is not disabled. 0 = Do not stop the oscillator during Sleep Mode. 1 = Stop the 3.6864 MHz oscillator during Sleep Mode. Cleared on Hardware, Watchdog, and GPIO Resets.				

3.5.3 Power Manager Wake-Up Enable Register (PWER)

Table 3-9 shows the location of all wake up source enable bits in the Power Manager Wake-Up Enable Register (PWER). If a GPIO is to be used as a wake up source from Sleep, it must be programmed as an input in the GPDR and either one or both of the corresponding bits in the PRER and PFER must be set. When the IDAE bit is zero and a fault condition is detected on the nVDD_FAULT or nBATT_FAULT pin, PWER is set to 0x0000 0003 and only allows GP[1:0] as wake-up sources. When the IDAE bit is set, fault conditions on the nVDD_FAULT or nBATT_FAULT pins do not affect wake-up sources. PWER is also set to 0x0000 0003 in Hardware, Watchdog, or GPIO Resets.

Software should enable wakeups only for those GPIO pins that are configured as inputs during sleep. Any GPIO pins that are configured as outputs during sleep, should have their associated wake enable bits set to logic zero in all three PMU wake enable registers (PWER, PRER, and PFER).

This is a read/write register. Ignore reads from reserved bits. Write zeros to reserved bits.

Table 3-9. PWER Bit Definitions

	0x40F0_000C																PWER										Clocks and Power Manager										
Bit	31	30	29	28	27	26	25	24	23	22	21	20	19	18	17	16	15	14	13	12	11	10	9	8	7	6	5	4	3	2	1	0					
	WERTC	Reserved																WE15	WE14	WE13	WE12	WE11	WE10	WE9	WE8	WE7	WE6	WE5	WE4	WE3	WE2	WE1	WE0				
Reset	0	0	0	0	0	0	0	0	0	0	0	0	0	0	0	0	0	0	0	0	0	0	0	0	0	0	0	0	0	0	0	1	1				
Bits	Name		Description																																		
31	WERTC		RTC Sleep Mode Wake-up Enable. 0 – Wake-up due to RTC alarm disabled. 1 – Wake-up due to RTC alarm enabled. Cleared on hardware, watchdog, and GPIO resets.																																		
[30:16]	—		Reserved. Read undefined and must always be written with zeroes.																																		
[15:0]	WEx		Sleep Mode Wake-up Enable 0 – Wake-up due to GPx edge detect disabled. 1 – Wake-up due to GPx edge detect enabled. Set to 0x 0003 on hardware, watchdog, and GPIO resets.																																		

3.5.4 Power Manager Rising-Edge Detect Enable Register (PRER)

The PRER, shown in Table 3-10, determines whether the GPIO pin enabled with the PWER register causes a wake up from sleep mode on that GPIO pin’s rising edge. When PWER[IDAE] is zero and a fault condition is detected on the nVDD_FAULT or nBATT_FAULT pin, PRER is set to 0x0000_0003. This enables rising edges on GP[1:0] to act as wake up sources. When PWER[IDAE] is set, fault conditions on the nVDD_FAULT or nBATT_FAULT pins do not affect wake-up sources. PRER is also set to 0x0000_0003 in hardware, watchdog, and GPIO resets.

Software should enable wakeups only for those GPIO pins that are configured as inputs during sleep. Any GPIO pins that are configured as outputs during sleep, should have their associated wake enable bits set to logic zero in all three PMU wake enable registers (PWER, PRER, and PFER).

This is a read/write register. Ignore reads from reserved bits. Write zeros to reserved bits.

Table 3-10. PRER Bit Definitions

	0x40F0_0010															PRER										Clocks and Power Manager										
Bit	31	30	29	28	27	26	25	24	23	22	21	20	19	18	17	16	15	14	13	12	11	10	9	8	7	6	5	4	3	2	1	0				
	Reserved															RE15	RE14	RE13	RE12	RE11	RE10	RE9	RE8	RE7	RE6	RE5	RE4	RE3	RE2	RE1	RE0					
Reset	0	0	0	0	0	0	0	0	0	0	0	0	0	0	0	0	0	0	0	0	0	0	0	0	0	0	0	0	0	0	1	1				
	Bits	Name	Description																																	
	[31:16]	—	Reserved. Read undefined and must always be written with zeroes.																																	
	[15:0]	REx	Sleep mode Rising-edge Wake up Enable 0 – Wake up due to GPx rising-edge detect disabled. 1 – Wake up due to GPx rising-edge detect enabled. Set to 0x 0003 on hardware, watchdog, and GPIO resets.																																	

3.5.5 Power Manager Falling-Edge Detect Enable Register (PFER)

The PFER, Table 3-11, determines if the GPIO pin enabled with the PWER causes a wake up from sleep mode on that GPIO pin's falling edge. When PWER[IDAE] is zero and a fault condition is detected on the nVDD_FAULT or nBATT_FAULT pin, PFER is set to 0x0000_0003. This enables falling edges on GP[1:0] to act as wake up sources. When PWER[IDAE] is set, fault conditions on the nVDD_FAULT or nBATT_FAULT pins do not affect wake-up sources. PFER is also set to 0x0000_0003 during hardware, watchdog, and GPIO resets.

Software should enable wakeups only for those GPIO pins that are configured as inputs during sleep. Any GPIO pins that are configured as outputs during sleep, should have their associated wake enable bits set to logic zero in all three PMU wake enable registers (PWER, PRER, and PFER).

This is a read/write register. Ignore reads from reserved bits. Write zeros to reserved bits.

Table 3-11. PFER Bit Definitions

0x40F0_0014																PFER										Clocks and Power Manager										
Bit	31	30	29	28	27	26	25	24	23	22	21	20	19	18	17	16	15	14	13	12	11	10	9	8	7	6	5	4	3	2	1	0				
	Reserved																FE15	FE14	FE13	FE12	FE11	FE10	FE9	FE8	FE7	FE6	FE5	FE4	FE3	FE2	FE1	FE0				
Reset	0	0	0	0	0	0	0	0	0	0	0	0	0	0	0	0	0	0	0	0	0	0	0	0	0	0	0	0	0	0	1	1				
Bits	Name		Description																																	
[31:16]	—		Reserved. Read undefined and must always be written with zeroes.																																	
[15:0]	FEx		Sleep mode Falling-edge Wake-up Enable 0 – Wake up due to GPx falling-edge detect disabled. 1 – Wake up due to GPx falling-edge detect enabled. Set to 0x0003 on hardware, watchdog, and GPIO resets.																																	

3.5.6 Power Manager GPIO Edge Detect Status Register (PEDR)

The PEDR, Table 3-12, indicates which of the GPIO pins enabled through the PWER, PRER, and PFER registers caused a wake up from sleep mode. The bits in PEDR can only be set on a rising or falling edge on a given GPIO pin. If PRER is set, the bits in PEDR can only be set on a rising edge. If PFER is set, the bits in PEDR can only be set on a falling edge. To reset a bit in PEDR to zero, write a 1 to it. The PEDR bits are reset to zero in hardware, watchdog, and GPIO resets.

This is a read/write register. Ignore reads from reserved bits. Write zeros to reserved bits.

Table 3-12. PEDR Bit Definitions

	0x40F0_0018																PEDR										Clocks and Power Manager										
Bit	31	30	29	28	27	26	25	24	23	22	21	20	19	18	17	16	15	14	13	12	11	10	9	8	7	6	5	4	3	2	1	0					
	Reserved																ED15	ED14	ED13	ED12	ED11	ED10	ED9	ED8	ED7	ED6	ED5	ED4	ED3	ED2	ED1	ED0					
Reset	0	0	0	0	0	0	0	0	0	0	0	0	0	0	0	0	0	0	0	0	0	0	0	0	0	0	0	0	0	0	0	0					
	Bits	Name		Description																																	
	[31:16]	—		Reserved. Read undefined and must always be written with zeroes.																																	
	[15:0]	EDx		Sleep mode Edge Detect Status 0 – Wake up on GPx not detected. 1 – Wake up due to edge on GPx detected. Cleared by hardware, watchdog, and GPIO resets. Cleared by writing a 1.																																	

3.5.7 Power Manager Sleep Status Register (PSSR)

The PSSR, shown in Table 3-13, contains the following status flags:

- Software Sleep Status (SSS) flag is set when the sleep mode configuration in the PWRMODE register is set and sleep mode starts (see Section 3.7.2).
- Battery Fault Status (BFS) bit is set after wake up any time the nBATT_FAULT pin is asserted (even when the processor is already in sleep mode).
- VDD Fault Status (VFS) bit is set after wake up when the nVDD_FAULT pin is asserted and causes the processor to enter sleep mode. The VFS bit is not set if software starts the sleep mode and then the nVDD_FAULT pin is asserted.
- Peripheral Control Hold (PH) bit is set when sleep mode starts and indicates that the GPIO pins are retaining their sleep mode state values.
- Read Disable Hold (RDH) bit is set in hardware, GPIO, and watchdog resets and sleep mode. The RDH bit indicates that all the processor’s GPIO input paths are disabled. To allow a GPIO input pin to be enabled, software must reset the RDH bit by writing a one to it. Clearing RDH also disables the 10 K to 60 K GPIO pull-up resistors that are present during and after hardware, GPIO and watchdog reset. Sleep mode disables the GPIO input path, but the pull-up resistors are not re-enabled in this case.

To clear a status flag write a 1 to it. Writing a 0 to a status bit has no effect. Hardware, watchdog, and GPIO resets clear or set the PSSR bits.

This is a read/write register. Ignore reads from reserved bits. Write zeros to reserved bits.

Table 3-13. PSSR Bit Definitions (Sheet 1 of 2)

		0x40F0_0004	PSSR	Clocks and Power Manager																														
Bit		31	30	29	28	27	26	25	24	23	22	21	20	19	18	17	16	15	14	13	12	11	10	9	8	7	6	5	4	3	2	1	0	
		reserved																								RDH	PH	reserved	VFS	BFS	SSS			
Reset		0	0	0	0	0	0	0	0	0	0	0	0	0	0	0	0	0	0	0	0	0	0	0	0	0	0	0	1	0	0	0	0	0
Bits	Name	Description																																
[31:6]	—	reserved																																
5	RDH	Read Disable Hold. 0 – GPIO pins are configured according to their GPIO configuration 1 – Receivers of all GPIO pins that can act as inputs are disabled and following a hardware, GPIO, or watchdog reset, internal GPIO pull-ups are active. Must be cleared by the processor after the peripheral and GPIO interfaces are configured but before they are used. Set by hardware, watchdog, and GPIO resets and sleep mode. Cleared by writing a 1.																																
4	PH	Peripheral Control Hold. 0 – GPIO pins are configured according to their GPIO configuration 1 – GPIO pins are being held in their sleep mode state. Set when sleep mode starts. Must be cleared by the processor after the peripheral interfaces have been configured but before they are actually used by the processor. Cleared by hardware, watchdog, and GPIO resets. Cleared by writing a 1.																																
3	—	reserved																																

Table 3-13. PSSR Bit Definitions (Sheet 2 of 2)

		0x40F0_0004																PSSR								Clocks and Power Manager											
Bit		31	30	29	28	27	26	25	24	23	22	21	20	19	18	17	16	15	14	13	12	11	10	9	8	7	6	5	4	3	2	1	0				
		reserved																								RDH	PH	reserved	VFS	BFS	SSS						
Reset		0	0	0	0	0	0	0	0	0	0	0	0	0	0	0	0	0	0	0	0	0	0	0	0	0	0	0	0	0	0	0	0	0			
		Bits		Name		Description																															
		2		VFS		VDD Fault Status. 0 – nVDD_FAULT pin has not been asserted since it was last cleared by a reset or the CPU. 1 – nVDD_FAULT pin was asserted in Run or idle mode and caused the chip to enter sleep mode; bit is set only after wake up. This bit is not set when nVDD_FAULT is asserted while in sleep mode. Cleared by hardware, watchdog, and GPIO resets.																															
		1		BFS		Battery Fault Status. 0 – nBATT_FAULT pin has not been asserted since it was last cleared by a reset or the CPU. 1 – nBATT_FAULT pin has been asserted; bit is set only after wake up. This bit can be set when nBATT_FAULT is asserted while in sleep mode. Cleared by hardware, watchdog, and GPIO resets.																															
		0		SSS		Software Sleep Status. 0 – Software has not entered sleep mode through the sleep mode bit since the SSS was last cleared by a reset or the CPU. 1 – Chip was placed in sleep mode by setting the sleep mode bit. Cleared by hardware, watchdog, and GPIO resets.																															

3.5.8 Power Manager Scratch Pad Register (PSPR)

The PM contains a 32-bit register that can be used to save processor configuration information in any desired format. The PSPR, shown in Table 3-14, is a holding register that is powered during sleep mode and is reset by hardware, watchdog, and GPIO resets. During run and turbo modes, any value can be written to PSPR. The value can be read after sleep mode exits. The value in PSPR can be used to represent the processor’s configuration before sleep mode is invoked.

This is a read/write register. Ignore reads from reserved bits. Write zeros to reserved bits.

Table 3-14. PSPR Bit Definitions

		0x40F0_0008																PSPR								Clocks and Power Manager											
Bit		31	30	29	28	27	26	25	24	23	22	21	20	19	18	17	16	15	14	13	12	11	10	9	8	7	6	5	4	3	2	1	0				
		SP																																			
Reset		0	0	0	0	0	0	0	0	0	0	0	0	0	0	0	0	0	0	0	0	0	0	0	0	0	0	0	0	0	0	0	0	0			
		Bits		Name		Description																															
		[31:0]		SP		Scratch Pad 32-bit word is preserved in sleep mode. Cleared by hardware, watchdog, and GPIO resets.																															

3.5.9 Power Manager Fast Sleep Walk-up Configuration Register (PMFW)

The PSPR, shown in Table 3-15, provides a single bit called FWAKE which is used to select between the standard and fast sleep walk-up sequences. The PMFW register is reset by a hardware reset, GPIO reset, watchdog reset, but is not cleared by the sleep walk-up sequence. Using an exception handler to invoke sleep in response to a power fault event is advantageous because software can clear the PMFW[FWAKE] bit and configure the power management IC to use PWR_EN to disable the core power supply during sleep to minimize power consumption from a critically low battery. Also, the PCFR[OPDE] bit must be cleared to enable the 3.6864 MHz oscillator during sleep when fast sleep walk-up is selected by setting the PMFW[FWAKE] bit.

This is a read/write register. Ignore reads from reserved bits. Write zeros to reserved bits.

Table 3-15. PMFW Register Bitmap and Bit Definitions

0x40F0 0034		Power Manager Fast Sleep Wakeup Configuration Register (PMFW)	Power Manager
Bit	31 30 29 28 27 26 25 24 23 22 21 20 19 18 17 16 15 14 13 12 11 10 9 8 7 6 5 4 3 2 1 0		
		Reserved	FWAKE Reserved
Reset	0 0		
[31:3]	—	Reserved Read undefined and must always be written with zeroes.	
[1]	FWAKE	FAST WAKEUP ENABLE 0 – Selects the standard sleep wakeup sequence with a 10 ms power supply stabilization delay when power is disabled during sleep. 1 – Selects the fast sleep wakeup sequence without a power supply stabilization delay when power is maintained during sleep. Cleared by hardware reset.	
[0]	—	Reserved Read undefined and must always be written with zeroes.	

3.5.10 Power Manager GPIO Sleep State Registers (PGSR0, PGSR1, PGSR2)

PGSR0, PGSR1, and PGSR2, shown in Table 3-16, Table 3-17, and Table 3-18 allow software to select the output state of each GPIO pin when the processor goes into sleep mode. When a transition to sleep mode is required (through software or the nBATT_FAULT or nVDD_FAULT pin), the contents of the PGSR registers are loaded into the GPIO output data registers that software normally controls through the GPSR and GPCR registers. Only pins that are already configured as outputs reflect the new state. All bits in the output registers are loaded. When the processor re-enters the run mode, these GPIO pins retain the programmed sleep state until software resets PSSR[PH]. If a pin is reconfigured from an input to an output, the register’s last contents are driven onto the pin.

This is a read/write register. Ignore reads from reserved bits. Write zeros to reserved bits.

Table 3-16. PGSR0 Bit Definitions

		0x40F0_0020										PGSR0										Clocks and Power Manager													
Bit		31	30	29	28	27	26	25	24	23	22	21	20	19	18	17	16	15	14	13	12	11	10	9	8	7	6	5	4	3	2	1	0		
		SS31	SS30	SS29	SS28	SS27	SS26	SS25	SS24	SS23	SS22	SS21	SS20	SS19	SS18	SS17	SS16	SS15	SS14	SS13	SS12	SS11	SS10	SS9	SS8	SS7	SS6	SS5	SS4	SS3	SS2	SS1	SS0		
Reset		0	0	0	0	0	0	0	0	0	0	0	0	0	0	0	0	0	0	0	0	0	0	0	0	0	0	0	0	0	0	0	0		
Bits	Name	Description																																	
[31:0]	SSx	If programmed as an output, Sleep state of GPx 0 – Pin is driven to a zero during sleep mode 1 – Pin is driven to a one during sleep mode Cleared by hardware, watchdog, and GPIO resets.																																	

This is a read/write register. Ignore reads from reserved bits. Write zeros to reserved bits.

Table 3-17. PGSR1 Bit Definitions

		0x40F0_0024										PGSR1										Clocks and Power Manager													
Bit		31	30	29	28	27	26	25	24	23	22	21	20	19	18	17	16	15	14	13	12	11	10	9	8	7	6	5	4	3	2	1	0		
		SS63	SS62	SS61	SS60	SS59	SS58	SS57	SS56	SS55	SS54	SS53	SS52	SS51	SS50	SS49	SS48	SS47	SS46	SS45	SS44	SS43	SS42	SS41	SS40	SS39	SS38	SS37	SS36	SS35	SS34	SS33	SS32		
Reset		0	0	0	0	0	0	0	0	0	0	0	0	0	0	0	0	0	0	0	0	0	0	0	0	0	0	0	0	0	0	0	0		
Bits	Name	Description																																	
[31:0]	SSx	If programmed as an output, Sleep state of GPx 0 – Pin is driven to a zero during sleep mode 1 – Pin is driven to a one during sleep mode Cleared by hardware, watchdog, and GPIO resets.																																	

This is a read/write register. Ignore reads from reserved bits. Write zeros to reserved bits.

Table 3-18. PGSR2 Bit Definitions

	0x40F0_0028											PGSR2											Clocks and Power Manager										
Bit	31	30	29	28	27	26	25	24	23	22	21	20	19	18	17	16	15	14	13	12	11	10	9	8	7	6	5	4	3	2	1	0	
	reserved											SS84	SS83	SS82	SS81	SS80	SS79	SS78	SS77	SS76	SS75	SS74	SS73	SS72	SS71	SS70	SS69	SS68	SS67	SS66	SS65	SS64	
Reset	0	0	0	0	0	0	0	0	0	0	0	0	0	0	0	0	0	0	0	0	0	0	0	0	0	0	0	0	0	0	0	0	0
Bits	Name		Description																														
[31:17]	—		reserved																														
[16:0]	SSx		If programmed as an output, Sleep state of GPx 0 – Pin is driven to a zero during sleep mode 1 – Pin is driven to a one during sleep mode Cleared by hardware, watchdog, and GPIO resets.																														

3.5.11 Reset Controller Status Register (RCSR)

The CPU uses the RCSR, shown in Table 3-19, to determine a reset’s last cause or causes. The processor can be reset in four ways:

- Hardware reset
- Watchdog reset
- Sleep mode
- GPIO reset

Refer to Table 2-4, “Effect of Each Type of Reset on Internal Register State” on page 2-6 for details of the behavior of different modules during each type of reset.

Each RCSR status bit is set by a different reset source and can be cleared by writing a 1 back to the bit. The RCSR status bits for watchdog reset, sleep mode, and GPIO resets have a hardware reset state of zero.

This is a read/write register. Ignore reads from reserved bits. Write zeros to reserved bits.

Table 3-19. RCSR Bit Definitions

	0x40F0_0030										RCSR										Clocks and Power Manager												
Bit	31	30	29	28	27	26	25	24	23	22	21	20	19	18	17	16	15	14	13	12	11	10	9	8	7	6	5	4	3	2	1	0	
	reserved																										GPR	SMR	WDR	HWR			
Reset	0	0	0	0	0	0	0	0	0	0	0	0	0	0	0	0	0	0	0	0	0	0	0	0	0	0	0	0	0	0	0	0	1
Bits	Name	Description																															
[31:4]	—	reserved																															
3	GPR	GPIO Reset. 0 – GPIO reset has not occurred since the last time the CPU or hardware reset cleared this bit. 1 – GPIO reset has occurred since the last time the CPU or hardware reset cleared this bit. Cleared by hardware reset and by setting to a 1.																															
2	SMR	Sleep Mode. 0 – Sleep mode has not occurred since the last time the CPU or hardware reset cleared this bit. 1 – Sleep mode has occurred since the last time the CPU or hardware reset cleared this bit. Cleared by hardware reset and by setting to a 1.																															
1	WDR	Watchdog Reset. 0 – Watchdog reset has not occurred since the last time the CPU or hardware reset cleared this bit. 1 – Watchdog reset has occurred since the last time the CPU or hardware reset cleared this bit. Cleared by hardware reset and by setting to a 1.																															
0	HWR	Hardware Reset. 0 – Hardware reset has not occurred since the last time the CPU cleared this bit. 1 – Hardware reset has occurred since the last time the CPU cleared this bit. Set by hardware reset. Cleared by setting to a 1.																															

3.6 Clocks Manager Registers

The Clocks Manager contains three registers:

- Core Clock Configuration Register (CCCR)
- Clock Enable Register (CKEN)
- Oscillator Configuration Register (OSCC)

3.6.1 Core Clock Configuration Register (CCCR)

The CCCR, shown in [Table 3-20](#), controls the core clock frequency, from which the core, memory controller, LCD controller, and DMA controller frequencies are derived. The crystal frequency to memory frequency multiplier (L), memory frequency to run mode frequency multiplier (M), and run mode frequency to turbo mode frequency multiplier (N) are set in this register. The clock frequencies are shown below.

Memory frequency = 3.6864 MHz crystal freq. * crystal frequency to memory frequency multiplier (L)

Run mode frequency = Memory frequency * memory frequency to run mode frequency multiplier (M)

Turbo mode frequency = run mode frequency * run mode frequency to turbo mode frequency multiplier (N)

The value for L is chosen based on external memory or LCD requirements and can be constant while M and N change to allow run and turbo mode frequency changes without disrupting memory settings. The value for M is chosen based on bus bandwidth requirements and minimum core performance requirements. The value for N is chosen based on peak core performance requirements.

Table 3-20. CCCR Bit Definitions

		Core Clock Configuration Register (CCCR)																Clocks Manager																			
		0x4130_0000																																			
Bit		31	30	29	28	27	26	25	24	23	22	21	20	19	18	17	16	15	14	13	12	11	10	9	8	7	6	5	4	3	2	1	0				
		reserved																N		M	L																
Reset		0	0	0	0	0	0	0	0	0	0	0	0	0	0	0	0	0	0	0	0	0	0	0	0	1	0	0	1	0	0	0	0	1			
Bits	Name	Description																																			
31:10	—	reserved																																			
[9:7]	N	Run Mode Frequency to Turbo Mode Frequency Multiplier Turbo mode Freq. = Run mode frequency * N 000 – reserved 001 – reserved 010 – Multiplier = 1 011 – Multiplier = 1.5 100 – Multiplier = 2 101 – reserved 110 – Multiplier = 3 111 – reserved Set to 010 on hardware and watchdog resets.																																			
[6:5]	M	Memory Frequency to Run Mode Frequency Multiplier Memory Freq. = Crystal Freq. * L 00 – reserved 01 – Multiplier = 1 (Run mode frequency is equal to memory frequency) 10 – Multiplier = 2 (Run mode frequency is 2 times the memory frequency) 11 – Multiplier = 3 (Run mode frequency is 4 times the memory frequency) Set to 01 on hardware and watchdog resets.																																			
[4:0]	L	Crystal Frequency to Memory Frequency Multiplier 00000 – reserved 00001 – Multiplier = 27 (Memory Frequency is 99.53MHz from 3.6864 MHz crystal) 00010 – reserved 00011 – Multiplier = 36 (Memory Frequency is 132.71MHz from 3.6864 MHz crystal) 00100 – reserved 00101 – Multiplier = 45 (Memory Frequency is 165.89MHz from 3.6864 MHz crystal) 00110 to 11111 – reserved Set to 00001 on hardware and watchdog resets.																																			

3.6.2 Clock Enable Register (CKEN)

CKEN, shown in Table 3-21, enables or disables the clocks to most of the peripheral units. For lowest power consumption, the clock to any unit that is not being used must be disabled by writing a zero to the appropriate bit.

This is a read/write register. Ignore reads from reserved bits. Write zeros to reserved bits.

Table 3-21. CKEN Bit Definitions (Sheet 1 of 2)

		0x4130_0004																	CKEN					Clocks Manager								
Bit	31	30	29	28	27	26	25	24	23	22	21	20	19	18	17	16	15	14	13	12	11	10	9	8	7	6	5	4	3	2	1	0
	reserved															CKEN16	reserved	CKEN14	CKEN13	CKEN12	CKEN11	reserved	reserved	CKEN8	CKEN7	CKEN6	CKEN5	reserved	CKEN3	CKEN2	CKEN1	CKEN0
Reset	0	0	0	0	0	0	0	0	0	0	0	0	0	0	0	1	0	1	1	1	1	1	0	1	1	1	1	0	1	1	1	1
Bits	Name		Description																													
[31:17]	—		reserved																													
16	CKEN16	LCD Unit Clock Enable 0 – Clock to the unit is disabled 1 – Clock to the unit is enabled. Set by hardware and watchdog resets																														
15	—		reserved																													
14	CKEN14	I2C Unit Clock Enable 0 – Clock to the unit is disabled 1 – Clock to the unit is enabled. Set by hardware and watchdog resets																														
13	CKEN13	FICP Unit Clock Enable 0 – Clock to the unit is disabled 1 – Clock to the unit is enabled. These bits are set by hardware reset or watchdog reset																														
12	CKEN12	MMC Unit Clock Enable 0 – Clock to the unit is disabled 1 – Clock to the unit is enabled. These bits are set by hardware reset or watchdog reset																														
11	CKEN11	USB Unit Clock Enable 0 – Clock to the unit is disabled 1 – Clock to the unit is enabled. Set by hardware and watchdog resets This bit must be set to allow the 48Mhz clock output on GP7 Alternate Function 1.																														
10	—		reserved																													
9	CKEN9	NSSP Unit Clock Enable 0 – Clock to the unit is disabled 1 – Clock to the unit is enabled. Set by hardware and watchdog resets																														

Table 3-21. CKEN Bit Definitions (Sheet 2 of 2)

0x4130_0004																CKEN						Clocks Manager														
Bit	31	30	29	28	27	26	25	24	23	22	21	20	19	18	17	16	15	14	13	12	11	10	9	8	7	6	5	4	3	2	1	0				
	reserved																CKEN16	reserved	CKEN14	CKEN13	CKEN12	CKEN11	reserved	reserved	CKEN8	CKEN7	CKEN6	CKEN5	reserved	CKEN3	CKEN2	CKEN1	CKEN0			
Reset	0	0	0	0	0	0	0	0	0	0	0	0	0	0	0	1	0	1	1	1	1	1	0	1	1	1	1	0	1	1	1	1				
Bits	Name		Description																																	
8	CKEN8		I2S Unit Clock Enable 0 – Clock to the unit is disabled 1 – Clock to the unit is enabled. Set by hardware and watchdog resets																																	
7	CKEN7		BTUART Unit Clock Enable 0 – Clock to the unit is disabled 1 – Clock to the unit is enabled. These bits are set by hardware reset or watchdog reset																																	
6	CKEN6		FFUART Unit Clock Enable 0 – Clock to the unit is disabled 1 – Clock to the unit is enabled. Set by hardware and watchdog resets																																	
5	CKEN5		STUART Unit Clock Enable 0 – Clock to the unit is disabled 1 – Clock to the unit is enabled. Set by hardware and watchdog resets																																	
4	CKEN4		HWUART Unit Clock Enable 0 – Clock to the unit is disabled 1 – Clock to the unit is enabled. Set by hardware and watchdog resets																																	
3	CKEN3		SSP Unit Clock Enable 0 – Clock to the unit is disabled 1 – Clock to the unit is enabled. Set by hardware and watchdog resets																																	
2	CKEN2		AC97 Unit Clock Enable 0 – Clock to the unit is disabled 1 – Clock to the unit is enabled. Set by hardware and watchdog resets																																	
1	CKEN1		PWM1 Clock Enable 0 – Clock to the unit is disabled 1 – Clock to the unit is enabled. Set by hardware and watchdog resets																																	
0	CKEN0		PWM0 Clock Enable 0 – Clock to the unit is disabled 1 – Clock to the unit is enabled. Set by hardware and watchdog resets																																	

3.6.3 Oscillator Configuration Register (OSCC)

The OSCC, shown in Table 3-22, controls the 32.768 kHz oscillator configuration. It contains two bits, the set-only 32.768 KHz OSCC[OON] and the read-only 32.768 kHz OSCC[OOK]. OSCC[OON] enables the external 32.768 kHz oscillator and can only be set by software. When the oscillator is enabled, it takes up to 10 seconds for to stabilize. When the oscillator is stabilized, the processor sets OSCC[OOK].

When OSCC[OOK] is set, the RTC and PM are clocked from the 32.768 KHz oscillator. Otherwise, the 3.6864 MHz oscillator is used. The OPDE bit, which allows the 3.6864 MHz oscillator to be disabled in sleep mode, is ignored (treated as if it were clear) if OSCC[OOK] is clear. OSCC[OOK] can only be reset by a hardware reset.

This is a read/write register. Ignore reads from reserved bits. Write zeros to reserved bits.

Table 3-22. OSCC Bit Definitions

		0x4130_0008										OSCC										Clocks and Power Manager												
Bit		31	30	29	28	27	26	25	24	23	22	21	20	19	18	17	16	15	14	13	12	11	10	9	8	7	6	5	4	3	2	1	0	
		reserved																														OON	OOK	
Reset		0	0	0	0	0	0	0	0	0	0	0	0	0	0	0	0	0	0	0	0	0	0	0	0	0	0	0	0	0	0	0	0	0
Bits	Name	Description																																
[31:2]	—	reserved																																
1	OON	32.768 KHz OON (write-once only bit) 0 – 32.768 KHz oscillator is disabled. The 3.6864 MHz oscillator (divided by 112) clocks the RTC and PM. 1 – 32.768 KHz oscillator is enabled. OON can not be cleared once written except by hardware reset. Cleared by hardware reset.																																
0	OOK	32.768 kHz OOK (read-only bit) 0 – 32.768 KHz oscillator is disabled or not stable. The 3.6864 MHz oscillator (divided by 112) clocks the RTC and PM. 1 – 32.768 KHz oscillator has been enabled (OON=1) and stabilized. It will clock the RTC and PM. Cleared by hardware reset.																																

3.7 Coprocessor 14: Clock and Power Management

Coprocessor 14 contains two registers that control the power modes and sequences:

- CP14 register 6 – CCLKCFG register
- CP14 register 7 – PWRMODE register

Table 3-23. Coprocessor 14 Clock and Power Management Summary

Function	Data in Rd	Instruction
Read CCLKCFG	—	MRC p14, 0, Rd, c6, c0, 0
Enter turbo mode	TURBO = 1	MCR p14, 0, Rd, c6, c0, 0
Enter frequency change sequence	FCS = 1 (Turbo mode bit may be set or cleared in the same write)	MCR p14, 0, Rd, c6, c0, 0
Enter idle mode	M = 1	MCR p14, 0, Rd, c7, c0, 0
Enter sleep mode	M = 3	MCR p14, 0, Rd, c7, c0, 0

3.7.1 Core Clock Configuration Register (CCLKCFG)

The CCLKCFG register (CP14 register 6), shown in Table 3-24, is used to enter the turbo mode and frequency change sequence. To enter the mode or sequence, software executes the appropriate function from Table 3-23. All core-initiated memory requests are completed before the Clocks and Power Manager initiates the desired mode or sequence.

To ensure that CCLKCFG[TURBO] does not change when entering the frequency change sequence, software must do a read-modify-write.

This is a read/write register. Ignore reads from reserved bits. Write zeros to reserved bits.

Table 3-24. CCLKCFG Bit Definitions

	CP14 Register 6										CCLKCFG										Clocks and Power Manager											
Bit	31	30	29	28	27	26	25	24	23	22	21	20	19	18	17	16	15	14	13	12	11	10	9	8	7	6	5	4	3	2	1	0
	reserved																										FCS	TURBO				
Reset	0	0	0	0	0	0	0	0	0	0	0	0	0	0	0	0	0	0	0	0	0	0	0	0	0	0	0	0	0	0	0	0
Bits	Name		Description																													
[31:2]	—		reserved																													
1	FCS		Frequency Change Sequence 0 – Do not enter frequency change sequence 1 – Enter frequency change sequence Cleared on hardware, watchdog, and GPIO reset and when sleep mode exits.																													
0	TURBO		Turbo Mode 0 – Do not enter turbo mode/Exit turbo mode 1 – Enter turbo mode Cleared on hardware, watchdog, and GPIO reset and when sleep mode exits.																													

3.7.2 Power Mode Register (PWRMODE)

The PWRMODE register (CP14, register 7), shown in Table 3-25, is used to enter idle and sleep modes. To select a mode, software writes to PWRMODE[M]. All core-initiated memory requests are completed before the Clocks and Power Manager initiates the desired mode.

Table 3-25. PWRMODE Bit Definitions

	CP14 Register 7														PWRMODE														CP14													
Bit	31	30	29	28	27	26	25	24	23	22	21	20	19	18	17	16	15	14	13	12	11	10	9	8	7	6	5	4	3	2	1	0										
	reserved																														M											
Reset	0	0	0	0	0	0	0	0	0	0	0	0	0	0	0	0	0	0	0	0	0	0	0	0	0	0	0	0	0	0	0	0	0									
Bits	Name		Description																																							
[31:2]	—		reserved																																							
[1:0]	M		Low Power Mode 00 – Run/turbo mode 01 – Idle mode 10 – reserved 11 – Sleep mode Set to 00 on reset.																																							

3.8 External Hardware Considerations

The Clocks and Power Manager controls the timing in and out of resets and the voltage ramp and stabilization. As a result, the hardware that is used with the processor must meet certain requirements to operate properly. This section describes those requirements.

3.8.1 Power-On-Reset Considerations

The nRESET and nTRST pins must be held low while the power supplies initialize and for a fixed time after power is stable. This can be controlled with an external Power-On-Reset device or another circuit.

To ensure that the internal ESD protection devices do not activate during power up, a minimum rise time must be observed. Refer to the Intel® PXA255 Processor *Electrical, Mechanical, and Thermal Specification* for details.

3.8.2 Power Supply Connectivity

The processor requires two or three externally-supplied voltage levels. VCCQ requires 3.3 V (+/- 10%), VCCN requires 3.3 V (+/- 10%) or 2.5 V (+15/-5%), and VCC and PLL_VCC shall be connected together and require 0.85-1.3 V. PLL_VCC must be separated from other low voltage supplies. Depending on the availability of independent regulator outputs and the desired memory voltage, VCCQ may have to be separated from VCCN.

3.8.3 Driving the Crystal Pins from an External Clock Source

The information in this section is provided as a guideline. The electrical specifications for the crystal oscillator pins are in Intel® PXA255 Processor *Electrical, Mechanical, and Thermal Specification*.

A 3.6864 MHz crystal must be connected between the PXTAL and PEXTAL pins. A 32.768 kHz crystal is normally connected between the TXTAL and TEXTAL pins. This configuration gives the lowest overall power consumption because the crystal's resonant nature provides better power efficiency than an external source that drives the crystal pins. Some applications have other clock sources of the same frequency and can reduce overall cost by driving the crystal pins externally.

Refer to the Oscillator Electrical Specifications in the Intel® PXA255 Processor *Design Guide* for more information.

Note: No external capacitors are required.

3.8.4 Noise Coupling Between Driven Crystal Pins and a Crystal Oscillator

The two pairs of crystal pins are located near each other on the processor. When crystal oscillators are connected to the pins, this proximity leads to low signal swings and slow edges that result in limited noise coupling between the pins. If one of the crystal oscillators is replaced by an independent signal source and the other is not, the noise coupling may increase. To limit this effect, reduce the slew rate on the pins driven by the independent source.

3.9 Clocks and Power Manager Register Summary

3.9.1 Clocks Manager Register Locations

Table 3-26 shows the registers associated with the clocks manager and the physical addresses used to access them.

Table 3-26. Clocks Manager Register Summary

Address	Name	Description
0x4130_0000	CCCR	Core Clock Configuration Register
0x4130_0004	CKEN	Clock Enable Register
0x4130_0008	OSCC	Oscillator Configuration Register

3.9.2 Power Manager Register Summary

Table 3-27 shows the registers associated with the PM and the physical addresses used to access them.

Table 3-27. Power Manager Register Summary

Address	Name	Description
0x40F0_0000	PMCR	Power Manager Control register
0x40F0_0004	PSSR	Power Manager Sleep Status register
0x40F0_0008	PSPR	Power Manager Scratch Pad register
0x40F0_000C	PWER	Power Manager Wake-up Enable register
0x40F0_0010	PRER	Power Manager GPIO Rising-edge Detect Enable register
0x40F0_0014	PFER	Power Manager GPIO Falling-edge Detect Enable register
0x40F0_0018	PEDR	Power Manager GPIO Edge Detect Status register
0x40F0_001C	PCFR	Power Manager General Configuration register
0x40F0_0020	PGSR0	Power Manager GPIO Sleep State register for GP[31-0]
0x40F0_0024	PGSR1	Power Manager GPIO Sleep State register for GP[63-32]
0x40F0_0028	PGSR2	Power Manager GPIO Sleep State register for GP[84-64]
0x40F0_0030	RCSR	Reset controller status register

This chapter describes the System Integration Unit (SIU) for the PXA255 processor. The SIU controls several processor-wide system functions. The units contained in the SIU are:

- General-purpose I/O (GPIO) ports
- Interrupt controller
- Real-time clock (RTC)
- Operating system timer (OS timer)
- Pulse Width modulator

4.1 General-Purpose I/O

The PXA255 processor enables and controls its 85 GPIO pins through the use of 27 registers which configure the pin direction (input or output), pin function, pin state (outputs only), pin level detection (inputs only), and selection of alternate functions. A portion of the GPIOs can be used to bring the processor out of Sleep mode. Take care when choosing which GPIO pin is assigned as a GPIO function because many of the GPIO pins have alternate functions and can be configured to support processor peripherals.

Configure all unused GPIOs as outputs to minimize power consumption.

4.1.1 GPIO Operation

The PXA255 processor provides 85 GPIO pins for use in generating and capturing application-specific input and output signals. Each pin can be programmed as either an input or output. When programmed to be an input, a GPIO can also serve as an interrupt source. All 85 pins are configured as inputs during the assertion of all resets, and remain as inputs until they are configured otherwise.

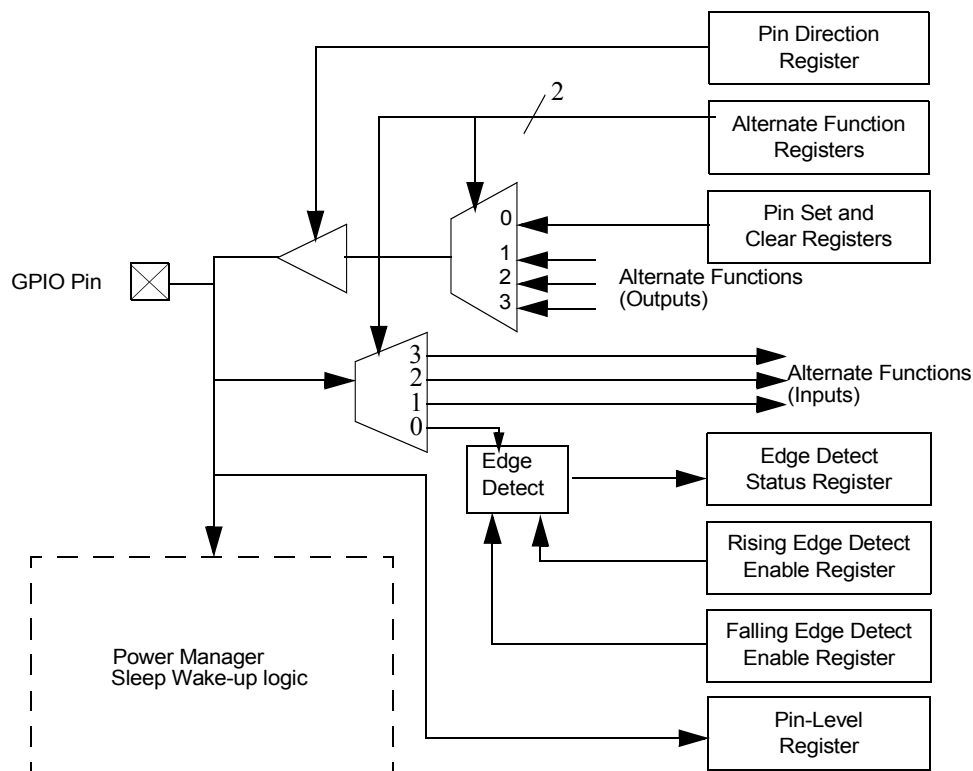
Use the GPIO Pin Direction Register (GPDR) to set whether the GPIO pins are outputs or inputs. When programmed as an output, the pin can be set high by writing to the GPIO Pin Output Set Register (GPSR) and cleared low by writing to the GPIO Pin Output Clear Register (GPCR). The set and clear registers can be written to regardless of whether the pin is configured as an input or an output. If a pin is configured as an input, the programmed output state occurs when the pin is reconfigured to be an output.

Validate each GPIO pin's state by reading the GPIO Pin Level Register (GPLR). You can read this register any time to confirm the state of a pin. In addition, use the GPIO Rising Edge Detect Enable Register (GRER) and GPIO Falling Edge Detect Enable Register (GFER) to detect either a rising edge or falling edge on each GPIO pin. Use the GPIO Edge Detect Status register (GEDR) to read edge detect state. These edge detects can be programmed to generate interrupts (see [Section 4.2](#)). Also use GPIO[15:0] to generate wake-up events that bring the PXA255 processor out of sleep mode (refer to [Section 3.4.9.5, "Exiting Sleep Mode" on page 3-18](#)).

When the processor enters sleep mode, the contents of the Power Manager Sleep State registers (PGSR0, PGSR1 and PGSR2) are loaded into the output data registers. If the particular pin is programmed as an output, then the value in the PGSR is driven onto the pin before entering sleep mode. When the processor exits sleep mode, these values remain driven until the GPIO pins are reprogrammed by writing to the GPDR, GPSR or GPCR, and setting the GPIO bit in the Power Manager Sleep Status register (PSSR) to indicate that the GPIO registers have been re-initialized after sleep mode. This is necessary since the GPIO logic loses power during sleep mode.

Most GPIO pins can also serve an alternate function within the processor. Certain modes within the serial controllers and LCD controller require extra pins. These functions are hardwired into specific GPIO pins and their use is described in the following paragraphs. Even though a GPIO pin is used for an alternate function, you must still program the proper direction of that pin through the GPDR. Details on alternate functions are provided in [Section 4.1.2](#). [Figure 4-1](#) shows a block diagram of a single GPIO pin.

Figure 4-1. General-Purpose I/O Block Diagram



4.1.2 GPIO Alternate Functions

GPIO pins are capable of having as many as six alternate functions that can be set to enable additional functionality within the processor. If a GPIO is used for an alternate function, then it cannot be used as a GPIO at the same time. GPIO[0] is reserved because of its special use during sleep mode and is not available for alternate functions. GPIO[15:0] are used for walk-up from sleep mode. The walk-up functionality is described in [Section 3.4.9.5, “Exiting Sleep Mode”](#) on page 3-18. [Table 4-1](#) shows each GPIO pin and its corresponding alternate functions.

For more information on alternate functions, refer to the Source Unit column in [Table 4-1](#) for the appropriate section of this document.

Table 4-1. GPIO Alternate Functions (Sheet 1 of 4)

Pin	Alternate Function Name	Alternate Function Assignment	AF{n} encoding	Source Unit	Signal Description and comments
GP1	GP_RST	ALT_FN_1_IN	01	Clocks & Power Manager Unit	Active low GP_reset
GP6	MMCCLK	ALT_FN_1_OUT	01	Multimedia Card (MMC) Controller	MMC Clock
GP7	48 MHz clock [†]	ALT_FN_1_OUT	01	Clocks & Power Manager Unit	48 MHz clock output
GP8	MMCCS0	ALT_FN_1_OUT	01	Multimedia Card (MMC) Controller	MMC Chip Select 0
GP9	MMCCS1	ALT_FN_1_OUT	01		MMC Chip Select 1
GP10	RTCCLK	ALT_FN_1_OUT	01	System Integration Unit	real time clock (1 Hz)
GP11	3.6 MHz	ALT_FN_1_OUT	01	Clocks & Power Manager Unit	3.6 MHz oscillator out
GP12	32 kHz	ALT_FN_1_OUT	01		32 kHz out
GP13	MBGNT	ALT_FN_2_OUT	10	Memory Controller	memory controller grant
GP14	MBREQ	ALT_FN_1_IN	01		memory controller alternate bus master request
GP15	nCS_1	ALT_FN_2_OUT	10		Active low chip select 1
GP16	PWM0	ALT_FN_2_OUT	10		PWM0 output
GP17	PWM1	ALT_FN_2_OUT	10		PWM1 output
GP18	RDY	ALT_FN_1_IN	01		Ext. Bus Ready
GP19	DREQ[1]	ALT_FN_1_IN	01		External DMA Request
GP20	DREQ[0]	ALT_FN_1_IN	01		External DMA Request
GP23	SCLK	ALT_FN_2_OUT	10	SSP Serial Port	SSP clock
GP24	SFRM	ALT_FN_2_OUT	10		SSP Frame
GP25	TXD	ALT_FN_2_OUT	10		SSP transmit
GP26	RXD	ALT_FN_1_IN	01		SSP receive
GP27	EXTCLK	ALT_FN_1_IN	01		SSP ext_clk
GP28	BITCLK	ALT_FN_1_IN	01	I2S Controller	AC97 bit_clk
	BITCLK	ALT_FN_2_IN	10		I2S bit_clk
	BITCLK	ALT_FN_1_OUT	01		I2S bit_clk
GP29	SDATA_IN0	ALT_FN_1_IN	01	AC97 Controller Unit	AC97 Sdata_in0
	SDATA_IN	ALT_FN_2_IN	10	I2S Controller	I2S Sdata_in
GP30	SDATA_OUT	ALT_FN_1_OUT	01	I2S Controller	I2S Sdata_out
	SDATA_OUT	ALT_FN_2_OUT	10	AC97 Controller Unit	AC97 Sdata_out
GP31	SYNC	ALT_FN_1_OUT	01	I2S Controller	I2S sync
	SYNC	ALT_FN_2_OUT	10	AC97 Controller Unit	AC97 sync
GP32	SDATA_IN1	ALT_FN_1_IN	01	AC97 Controller Unit	AC97 Sdata_in1
	SYSClk	ALT_FN_1_OUT	01	I2S Controller	I2S System Clock

Table 4-1. GPIO Alternate Functions (Sheet 2 of 4)

Pin	Alternate Function Name	Alternate Function Assignment	AF{n} encoding	Source Unit	Signal Description and comments
GP33	nCS[5]	ALT_FN_2_OUT	10	Memory Controller	Active low chip select 5
GP34	FFRXD	ALT_FN_1_IN	01	UARTs	FFUART receive
	MMCCS0	ALT_FN_2_OUT	10	Multimedia Card (MMC) Controller	MMC Chip Select 0
GP35	CTS	ALT_FN_1_IN	01	UARTs	FFUART Clear to send
GP36	DCD	ALT_FN_1_IN	01		FFUART Data carrier detect
GP37	DSR	ALT_FN_1_IN	01		FFUART data set ready
GP38	RI	ALT_FN_1_IN	01		FFUART Ring Indicator
GP39	MMCCS1	ALT_FN_1_OUT	01	Multimedia Card (MMC) Controller	MMC Chip Select 1
	FFTXD	ALT_FN_2_OUT	10	UARTs	FFUART transmit data
GP40	DTR	ALT_FN_2_OUT	10	UARTs	FFUART data terminal Ready
GP41	RTS	ALT_FN_2_OUT	10		FFUART request to send
GP42	BTRXD	ALT_FN_1_IN	01	UARTs	BTUART receive data
	HWRXD	ALT_FN_3_IN	11	HWUART	HWUART receive data
GP43	BTTXD	ALT_FN_2_OUT	10	UARTs	BTUART transmit data
	HWTXD	ALT_FN_3_OUT	11	HWUART	HWUART transmit data
GP44	BTCTS	ALT_FN_1_IN	01	UARTs	BTUART clear to send
	HWCTS	ALT_FN_3_IN	11	HWUART	HWUART clear to send
GP45	BTRTS	ALT_FN_2_OUT	10	UARTs	BTUART request to send
	HWRTS	ALT_FN_3_OUT	11	HWUART	HWUART request to send
GP46	ICP_RXD	ALT_FN_1_IN	01	Infrared Communication Port	ICP receive data
	RXD	ALT_FN_2_IN	10	UARTs	STD_UART receive data
GP47	TXD	ALT_FN_1_OUT	01	UARTs	STD_UART transmit data
	ICP_TXD	ALT_FN_2_OUT	10	Infrared Communication Port	ICP transmit data
GP48	nPOE	ALT_FN_2_OUT	10	Memory Controller	Output Enable for Card Space
	HWTXD	ALT_FN_1_OUT	01	HWUART	HWUART transmit data
GP49	nPWE	ALT_FN_2_OUT	10	Memory Controller	Write Enable for Card Space
	HWRXD	ALT_FN_1_IN	01	HWUART	HWUART receive data
GP50	nPIOR	ALT_FN_2_OUT	10	Memory Controller	I/O Read for Card Space
	HWCTS	ALT_FN_1_IN	01	HWUART	HWUART clear to send
GP51	nPIOW	ALT_FN_2_OUT	10	Memory Controller	I/O Write for Card Space
	HWRTS	ALT_FN_1_OUT	01	HWUART	HWUART request to send
GP52	nPCE[1]	ALT_FN_2_OUT	10	Memory Controller	Card Enable for Card Space
GP53	nPCE[2]	ALT_FN_2_OUT	10		Card Enable for Card Space
GP53	MMCLK	ALT_FN_1_OUT	01	Multimedia Card (MMC) Controller	MMC Clock

Table 4-1. GPIO Alternate Functions (Sheet 3 of 4)

Pin	Alternate Function Name	Alternate Function Assignment	AF{n} encoding	Source Unit	Signal Description and comments
GP54	MMCCLK	ALT_FN_1_OUT	01	Multimedia Card (MMC) Controller	MMC Clock
GP54	nPSKTSEL	ALT_FN_2_OUT	10	Memory Controller	Socket Select for Card Space
GP55	nPREG	ALT_FN_2_OUT	10	Memory Controller	Card Address bit 26
GP56	nPWAIT	ALT_FN_1_IN	01		Wait signal for Card Space
GP57	nIOIS16	ALT_FN_1_IN	01	Memory Controller	Bus Width select for I/O Card Space
GP58	LDD[0]	ALT_FN_2_OUT	10	LCD Controller	LCD data pin 0
GP59	LDD[1]	ALT_FN_2_OUT	10		LCD data pin 1
GP60	LDD[2]	ALT_FN_2_OUT	10		LCD data pin 2
GP61	LDD[3]	ALT_FN_2_OUT	10		LCD data pin 3
GP62	LDD[4]	ALT_FN_2_OUT	10		LCD data pin 4
GP63	LDD[5]	ALT_FN_2_OUT	10		LCD data pin 5
GP64	LDD[6]	ALT_FN_2_OUT	10		LCD data pin 6
GP65	LDD[7]	ALT_FN_2_OUT	10		LCD data pin 7
GP66	LDD[8]	ALT_FN_2_OUT	10		LCD Controller
	MBREQ	ALT_FN_1_IN	01	Memory Controller	memory controller alternate bus master req
GP67	LDD[9]	ALT_FN_2_OUT	10	LCD Controller	LCD data pin 9
	MMCCS0	ALT_FN_1_OUT	01	Multimedia Card (MMC) Controller	MMC Chip Select 0
GP68	MMCCS1	ALT_FN_1_OUT	01	Multimedia Card (MMC) Controller	MMC Chip Select 1
	LDD[10]	ALT_FN_2_OUT	10	LCD Controller	LCD data pin 10
GP69	MMCCLK	ALT_FN_1_OUT	01	Multimedia Card (MMC) Controller	MMC_CLK
	LDD[11]	ALT_FN_2_OUT	10	LCD Controller	LCD data pin 11
GP70	RTCCLK	ALT_FN_1_OUT	01	System Integation Unit	Real Time clock (1 Hz)
	LDD[12]	ALT_FN_2_OUT	10	LCD Controller	LCD data pin 12
GP71	3.6 MHz	ALT_FN_1_OUT	01	Clocks & Power Manager Unit	3.6 MHz Oscillator clock
	LDD[13]	ALT_FN_2_OUT	10	LCD Controller	LCD data pin 13
GP72	32 kHz	ALT_FN_1_OUT	01	Clocks & Power Manager Unit	32 kHz clock
	LDD[14]	ALT_FN_2_OUT	10	LCD Controller	LCD data pin 14
GP73	LDD[15]	ALT_FN_2_OUT	10	LCD Controller	LCD data pin 15
	MBGNT	ALT_FN_1_OUT	01	Memory Controller	Memory controller grant

Table 4-1. GPIO Alternate Functions (Sheet 4 of 4)

Pin	Alternate Function Name	Alternate Function Assignment	AF{n} encoding	Source Unit	Signal Description and comments
GP74	LCD_FCLK	ALT_FN_2_OUT	10	LCD Controller	LCD Frame clock
GP75	LCD_LCLK	ALT_FN_2_OUT	10		LCD line clock
GP76	LCD_PCLK	ALT_FN_2_OUT	10		LCD Pixel clock
GP77	LCD_ACBIAS	ALT_FN_2_OUT	10		LCD AC Bias
GP78	nCS[2]	ALT_FN_2_OUT	10	Memory Controller	Active low chip select 2
GP79	nCS[3]	ALT_FN_2_OUT	10	Memory Controller	Active low chip select 3
GP80	nCS[4]	ALT_FN_2_OUT	10	Memory Controller	Active low chip select 4
GP81	NSSPCLK	ALT_FN_1_IN	01	Network SSP	NSSP Serial clock is input
	NSSPCLK	ALT_FN_1_OUT	01		NSSP Serial clock is output
GP82	NSSPSFRM	ALT_FN_1_IN	01		NSSP frame is input
	NSSPSFRM	ALT_FN_1_OUT	01		NSSP frame is output
GP83	NSSPTXD	ALT_FN_1_OUT	01		NSSP transmit
	NSSPRXD	ALT_FN_2_IN	10		NSSP receive
GP84	NSSPTXD	ALT_FN_1_OUT	01		NSSP transmit
	NSSPRXD	ALT_FN_2_IN	10		NSSP receive

† CKEN[11] - USB Unit Clock Enable bit must be enabled to allow the 48 MHz clock output on GP7

4.1.3 GPIO Register Definitions

There are twenty-seven 32-bit registers within the GPIO control block. There are nine distinct register functions and there are three sets of each of the nine registers to serve the 85 GPIOs. The various functions of the nine registers corresponding to each GPIO pin are described here:

- Three monitor pin state (GPLR)
- Six control output pin state (GPSR, GPCR)
- Three control pin direction (GPDR)
- Six control whether rising edges and/or falling edges are detected (GRER & GFER)
- Three indicate when specified edge types have been detected on pins (GEDR).
- Six determine whether a pin is used as a normal GPIO or whether it is to be taken over by one of three possible alternate functions (GAFR_L, GAFR_U).

Table 4-2. GPIO Register Definitions (Sheet 1 of 2)

Register Type	Register Function	GPIO[15:0]	GPIO[31:16]	GPIO[47:32]	GPIO[63:48]	GPIO[79:64]	GPIO[80:84]
GPLR	Monitor Pin State	GPLR0		GPLR1		GPLR2	
GPSR	Control Output Pin State	GPSR0		GPSR1		GPSR2	
GPCR		GPCR0		GPCR1		GPCR2	
GPDR	Set Pin Direction	GPDR0		GPDR1		GPDR2	

Table 4-2. GPIO Register Definitions (Sheet 2 of 2)

Register Type	Register Function	GPIO[15:0]	GPIO[31:16]	GPIO[47:32]	GPIO[63:48]	GPIO[79:64]	GPIO[80:84]
GRER	Detect Rising/Falling Edge	GRER0		GRER1		GRER2	
GFER		GFER0		GFER1		GFER2	
GEDR	Detect Edge Type	GEDR0		GEDR1		GEDR2	
GAFR	Set Alternate Functions	GAFR0_L	GAFR0_U	GAFR1_L	GAFR1_U	GAFR2_L	GAFR2_U

NOTE: For the alternate function registers, the designator **_L** signifies that the lower 16 GPIOs' alternate functions are configured by that register and **_U** designates that the upper 16 GPIOs' alternate functions are configured by that register.

Note: Write zeros to all reserved bits and ignore all reads from these bits.

Note: All GPIO registers are initialized to 0x0 at reset, which results in all GPIO pins being initialized as inputs.

4.1.3.1 GPIO Pin-Level Registers (GPLR0, GPLR1, GPLR2)

Check the state of each of the GPIO pins by reading the GPIO Pin Level register (GPLR). Each bit in the GPLR corresponds to one pin in the GPIO. GPLR0[31:0] correspond to GPIO[31:0], GPLR1[31:0] correspond to GPIO[63:32] and GPLR2[16:0] correspond to GPIO[84:64]. Use the GPLR0–2 read-only registers to determine the current value of a particular pin (regardless of the programmed pin direction). For reserved bits, reads return zero.

Table 4-3. GPLR0 Bit Definitions

Physical Address 0x40E0_0000		GPLR0																System Integration Unit																																														
Bit	31	30	29	28	27	26	25	24	23	22	21	20	19	18	17	16	15	14	13	12	11	10	9	8	7	6	5	4	3	2	1	0																																
	PL31	PL30	PL29	PL28	PL27	PL26	PL25	PL24	PL23	PL22	PL21	PL20	PL19	PL18	PL17	PL16	PL15	PL14	PL13	PL12	PL11	PL10	PL9	PL8	PL7	PL6	PL5	PL4	PL3	PL2	PL1	PL0																																
Reset	0	0	0	0	0	0	0	0	0	0	0	0	0	0	0	0	0	0	0	0	0	0	0	0	0	0	0	0	0	0	0	0																																
Bits	Name																																Description																															
<31:0>	PL[x]																																GPIO Pin Level 'x' (where x = 0 to 31). This read-only field indicates the current value of each GPIO. 0 – Pin state is low 1 – Pin state is high																															

This is read/write register. Ignore reads from reserved bits. Write zeros to reserved bits.

Table 4-4. GPLR1 Bit Definitions

Physical Address 0x40E0_0004		GPLR1																System Integration Unit																		
Bit	31	30	29	28	27	26	25	24	23	22	21	20	19	18	17	16	15	14	13	12	11	10	9	8	7	6	5	4	3	2	1	0				
	PL63	PL62	PL61	PL60	PL59	PL58	PL57	PL56	PL55	PL54	PL53	PL52	PL51	PL50	PL49	PL48	PL47	PL46	PL45	PL44	PL43	PL42	PL41	PL40	PL39	PL38	PL37	PL36	PL35	PL34	PL33	PL32				
Reset	0	0	0	0	0	0	0	0	0	0	0	0	0	0	0	0	0	0	0	0	0	0	0	0	0	0	0	0	0	0	0	0				
Bits	Name		Description																																	
<31:0>	PL[x]		GPIO Pin Level 'x' (where x = 32 to 63). This read-only field indicates the current value of each GPIO. 0 – Pin state is low 1 – Pin state is high																																	

This is read/write register. Ignore reads from reserved bits. Write zeros to reserved bits.

Table 4-5. GPLR2 Bit Definitions

Physical Address 0x40E0_0008		GPLR2																System Integration Unit																		
Bit	31	30	29	28	27	26	25	24	23	22	21	20	19	18	17	16	15	14	13	12	11	10	9	8	7	6	5	4	3	2	1	0				
	reserved												PL84	PL83	PL82	PL81	PL80	PL79	PL78	PL77	PL76	PL75	PL74	PL73	PL72	PL71	PL70	PL69	PL68	PL67	PL66	PL65	PL64			
Reset	0	0	0	0	0	0	0	0	0	0	0	0	0	0	0	0	0	0	0	0	0	0	0	0	0	0	0	0	0	0	0	0	0			
Bits	Name		Description																																	
<31:21>	—		reserved																																	
<20:0>	PL[x]		GPIO Pin Level 'x' (where x = 64 to 84). This read-only field indicates the current value of each GPIO. 0 – Pin state is low 1 – Pin state is high																																	

4.1.3.2 GPIO Pin Direction Registers (GPDR0, GPDR1, GPDR2)

GPDR0, GPDR1, GPDR2, shown in Table 4-6, Table 4-7, and Table 4-8, control whether a pin is an input or an output. The GPDR contain one direction control bit for each of the 85 GPIO pins. If a direction bit is programmed to a one, the GPIO is an output. If it is programmed to a zero, it is an input. Reserved bits must be written to zeros and reads to the reserved bits must be ignored.

Note: A reset clears all bits in the GPDR0-2 registers and configures all GPIO pins as inputs.

Table 4-6. GPDR0 Bit Definitions

	Physical Address 0x40E0_000C										GPDR0										System Integration Unit																	
Bit	31	30	29	28	27	26	25	24	23	22	21	20	19	18	17	16	15	14	13	12	11	10	9	8	7	6	5	4	3	2	1	0						
	PD31	PD30	PD29	PD28	PD27	PD26	PD25	PD24	PD23	PD22	PD21	PD20	PD19	PD18	PD17	PD16	PD15	PD14	PD13	PD12	PD11	PD10	PD9	PD8	PD7	PD6	PD5	PD4	PD3	PD2	PD1	PD0						
Reset	0	0	0	0	0	0	0	0	0	0	0	0	0	0	0	0	0	0	0	0	0	0	0	0	0	0	0	0	0	0	0	0	0					
	Bits		Name		Description																																	
	<31:0>		PD[x]		GPIO Pin 'x' Direction (where x = 0 to 31). 0 – Pin configured as an input 1 – Pin configured as an output																																	

Table 4-7. GPDR1 Bit Definitions

	Physical Address 0x40E0_0010										GPDR1										System Integration Unit																	
Bit	31	30	29	28	27	26	25	24	23	22	21	20	19	18	17	16	15	14	13	12	11	10	9	8	7	6	5	4	3	2	1	0						
	PD63	PD62	PD61	PD60	PD59	PD58	PD57	PD56	PD55	PD54	PD53	PD52	PD51	PD50	PD49	PD48	PD47	PD46	PD45	PD44	PD43	PD42	PD41	PD40	PD39	PD38	PD37	PD36	PD35	PD34	PD33	PD32						
Reset	0	0	0	0	0	0	0	0	0	0	0	0	0	0	0	0	0	0	0	0	0	0	0	0	0	0	0	0	0	0	0	0	0					
	Bits		Name		Description																																	
	<31:0>		PD[x]		GPIO Pin 'x' Direction (where x = 32 to 63). 0 – Pin configured as an input. 1 – Pin configured as an output.																																	

Table 4-8. GPDR2 Bit Definitions

	Physical Address 0x40E0_0014										GPDR2										System Integration Unit																	
Bit	31	30	29	28	27	26	25	24	23	22	21	20	19	18	17	16	15	14	13	12	11	10	9	8	7	6	5	4	3	2	1	0						
	reserved											PD84	PD83	PD82	PD81	PD80	PD79	PD78	PD77	PD76	PD75	PD74	PD73	PD72	PD71	PD70	PD69	PD68	PD67	PD66	PD65	PD64						
Reset	0	0	0	0	0	0	0	0	0	0	0	0	0	0	0	0	0	0	0	0	0	0	0	0	0	0	0	0	0	0	0	0	0					
	Bits		Name		Description																																	
	<31:21>		—		reserved																																	
	<20:0>		PD[x]		GPIO Pin 'x' Direction (where x = 64 to 84). 0 – Pin configured as an input. 1 – Pin configured as an output																																	

4.1.3.3 GPIO Pin Output Set Registers (GPSR0, GPSR1, and GPSR2) and Pin Output Clear Registers (GPCR0, GPCR1, GPCR2)

When a GPIO is configured as an output, the state of the pin can be controlled by writing to either the GPSR or GPCR. An output pin is set high by writing a one to its corresponding bit within the GPSR. To clear an output pin, a one is written to the corresponding bit within the GPCR. GPSR and GPCR are write-only registers. Reads return unpredictable values.

Writing a zero to any of the GPSR or GPCR bits has no effect on the state of the pin. Writing a one to a GPSR or GPCR bit corresponding to a pin that is configured as an input is effective only after the pin is configured as an output. Reserved bits must be written with zeros and reads must be ignored.

Table 4-9, Table 4-10, and Table 4-11 show the bit definitions of GPSR0, GPSR1, and GPSR2. Table 4-12, Table 4-13, and Table 4-14 show the bit definitions of GPCR0, GPCR1, and GPCR2.

Table 4-9. GPSR0 Bit Definitions

Physical Address 0x40E0_0018		GPSR0																System Integration Unit																		
Bit	31	30	29	28	27	26	25	24	23	22	21	20	19	18	17	16	15	14	13	12	11	10	9	8	7	6	5	4	3	2	1	0				
	PS31	PS30	PS29	PS28	PS27	PS26	PS25	PS24	PS23	PS22	PS21	PS20	PS19	PS18	PS17	PS16	PS15	PS14	PS13	PS12	PS11	PS10	PS9	PS8	PS7	PS6	PS5	PS4	PS3	PS2	PS1	PS0				
Reset	0	0	0	0	0	0	0	0	0	0	0	0	0	0	0	0	0	0	0	0	0	0	0	0	0	0	0	0	0	0	0	0				
Bits	Name		Description																																	
<31:0>	PS[x]		GPIO Pin 'x' Output Pin Set (where x= 0 through 31). 0 – Pin level unaffected. 1 – If pin configured as an output, set pin level high (one).																																	

Table 4-10. GPSR1 Bit Definitions

Physical Address 0x40E0_001C		GPSR1																System Integration Unit																		
Bit	31	30	29	28	27	26	25	24	23	22	21	20	19	18	17	16	15	14	13	12	11	10	9	8	7	6	5	4	3	2	1	0				
	PS63	PS62	PS61	PS60	PS59	PS58	PS57	PS56	PS55	PS54	PS53	PS52	PS51	PS50	PS49	PS48	PS47	PS46	PS45	PS44	PS43	PS42	PS41	PS40	PS39	PS38	PS37	PS36	PS35	PS34	PS33	PS32				
Reset	0	0	0	0	0	0	0	0	0	0	0	0	0	0	0	0	0	0	0	0	0	0	0	0	0	0	0	0	0	0	0	0				
Bits	Name		Description																																	
<31:0>	PS[x]		GPIO Pin 'x' Output Pin Set (where x= 32 through 63). 0 – Pin level unaffected. 1 – If pin configured as an output, set pin level high (one).																																	

Table 4-11. GPSR2 Bit Definitions

Physical Address 0x40E0_0020		GPSR2																System Integration Unit																				
Bit	31	30	29	28	27	26	25	24	23	22	21	20	19	18	17	16	15	14	13	12	11	10	9	8	7	6	5	4	3	2	1	0						
	reserved												PS84	PS83	PS82	PS81	PS80	PS79	PS78	PS77	PS76	PS75	PS74	PS73	PS72	PS71	PS70	PS69	PS68	PS67	PS66	PS65	PS64					
Reset	0	0	0	0	0	0	0	0	0	0	0	0	0	0	0	0	0	0	0	0	0	0	0	0	0	0	0	0	0	0	0	0	0					
	Bits		Name		Description																																	
	<31:21>		—		reserved																																	
	<20:0>		PS[x]		GPIO Pin 'x' Output Pin Set (where x= 64 through 84). 0 – Pin level unaffected. 1 – If pin configured as an output, set pin level high (one).																																	

Table 4-12. GPCR0 Bit Definitions

Physical Address 0x40E0_0024		GPCR0																System Integration Unit																				
Bit	31	30	29	28	27	26	25	24	23	22	21	20	19	18	17	16	15	14	13	12	11	10	9	8	7	6	5	4	3	2	1	0						
	PC31	PC30	PC29	PC28	PC27	PC26	PC25	PC24	PC23	PC22	PC21	PC20	PC19	PC18	PC17	PC16	PC15	PC14	PC13	PC12	PC11	PC10	PC9	PC8	PC7	PC6	PC5	PC4	PC3	PC2	PC1	PC0						
Reset	0	0	0	0	0	0	0	0	0	0	0	0	0	0	0	0	0	0	0	0	0	0	0	0	0	0	0	0	0	0	0	0	0					
	Bits		Name		Description																																	
	<31:0>		PC[x]		GPIO Pin 'x' Output Pin Clear (where x= 0 through 31). 0 – Pin level unaffected. 1 – If pin configured as an output, clear pin level low (zero).																																	

Table 4-13. GPCR1 Bit Definitions

Physical Address 0x40E0_0028		GPCR1																System Integration Unit																				
Bit	31	30	29	28	27	26	25	24	23	22	21	20	19	18	17	16	15	14	13	12	11	10	9	8	7	6	5	4	3	2	1	0						
	PC63	PC62	PC61	PC60	PC59	PC58	PC57	PC56	PC55	PC54	PC53	PC52	PC51	PC50	PC49	PC48	PC47	PC46	PC45	PC44	PC43	PC42	PC41	PC40	PC39	PC38	PC37	PC36	PC35	PC34	PC33	PC32						
Reset	0	0	0	0	0	0	0	0	0	0	0	0	0	0	0	0	0	0	0	0	0	0	0	0	0	0	0	0	0	0	0	0	0					
	Bits		Name		Description																																	
	<31:0>		PC[x]		GPIO Pin 'x' Output Pin Clear (where x= 32 through 63). 0 – Pin level unaffected. 1 – If pin configured as an output, clear pin level low (zero).																																	

Table 4-14. GPCR2 Bit Definitions

	Physical Address 0x40E0_002C											GPCR2								System Integration Unit														
Bit	31	30	29	28	27	26	25	24	23	22	21	20	19	18	17	16	15	14	13	12	11	10	9	8	7	6	5	4	3	2	1	0		
	reserved											PC84	PC83	PC82	PC81	PC80	PC79	PC78	PC77	PC76	PC75	PC74	PC73	PC72	PC71	PC70	PC69	PC68	PC67	PC66	PC65	PC64		
Reset	0	0	0	0	0	0	0	0	0	0	0	0	0	0	0	0	0	0	0	0	0	0	0	0	0	0	0	0	0	0	0	0	0	0
Bits	Name		Description																															
<31:21>	—		reserved																															
<20:0>	PC[x]		GPIO Pin 'x' Output Pin Clear (where x= 64 through 84). 0 – Pin level unaffected. 1 – If pin configured as an output, clear pin level low (zero).																															

4.1.3.4 GPIO Rising Edge Detect Enable Registers (GRER0, GRER1, GRER2) and Falling Edge Detect Enable Registers (GFER0, GFER1, GFER2)

Each GPIO can also be programmed to detect a rising-edge, falling-edge, or either transition on a pin. When an edge is detected that matches the type of edge programmed for the pin, a status bit is set. The interrupt controller can be programmed so that an interrupt is signalled to the core when any of these status bits are set. Additionally, the interrupt controller can be programmed so that a subset of the status bits causes the processor to wake from Sleep mode when they are set. Refer to [Section 3.4.9, “Sleep Mode” on page 3-15](#) and [Section 3.5.6, “Power Manager GPIO Edge Detect Status Register \(PEDR\)” on page 3-28](#) for more information on which status bits can cause a wake up from Sleep mode.

Use the GRER and the GFER to select the type of transition on a GPIO pin that causes a bit within the GPIO Edge Detect Enable Status register (GEDR) to be set. For a given GPIO pin, its corresponding GRER bit is set causing a GEDR status bit to be set when the pin transitions from logic level zero to logic level one. Likewise, the GFER is used to set the corresponding GEDR status bit when a transition from logic level one to logic level zero occurs. When the corresponding bits are set in both registers, either a falling- or a rising-edge transition causes the corresponding GEDR status bit to be set.

Note: The minimum pulse width duration to guarantee edge detection is 1 μ S.

[Table 4-15](#) through [Table 4-17](#) show the bitmaps of the GRER0, GRER1, and GRER2. [Table 4-18](#) through [Table 4-20](#) show the bitmaps of the GFER, GFER1, and GFER2.

Note: For reserved bits in GRER2 and GFER2, writes must be zeros and reads must be ignored.

Table 4-15. GRER0 Bit Definitions

Physical Address 0x40E0_0030		GRER0																System Integration Unit																				
Bit	31	30	29	28	27	26	25	24	23	22	21	20	19	18	17	16	15	14	13	12	11	10	9	8	7	6	5	4	3	2	1	0						
	RE31	RE30	RE29	RE28	RE27	RE26	RE25	RE24	RE23	RE22	RE21	RE20	RE19	RE18	RE17	RE16	RE15	RE14	RE13	RE12	RE11	RE10	RE9	RE8	RE7	RE6	RE5	RE4	RE3	RE2	RE1	RE0						
Reset	0	0	0	0	0	0	0	0	0	0	0	0	0	0	0	0	0	0	0	0	0	0	0	0	0	0	0	0	0	0	0	0						
	Bits		Name		Description																																	
	<31:0>		RE[x]		GPIO Pin 'x' Rising Edge Detect Enable (where x = 0 through 31). 0 – Disable rising-edge detect enable. 1 – Set corresponding GEDR status bit when a rising edge is detected on the GPIO pin																																	

Table 4-16. GRER1 Bit Definitions

Physical Address 0x40E0_0034		GRER1																System Integration Unit																				
Bit	31	30	29	28	27	26	25	24	23	22	21	20	19	18	17	16	15	14	13	12	11	10	9	8	7	6	5	4	3	2	1	0						
	RE63	RE62	RE61	RE60	RE59	RE58	RE57	RE56	RE55	RE54	RE53	RE52	RE51	RE50	RE49	RE48	RE47	RE46	RE45	RE44	RE43	RE42	RE41	RE40	RE39	RE38	RE37	RE36	RE35	RE34	RE33	RE32						
Reset	0	0	0	0	0	0	0	0	0	0	0	0	0	0	0	0	0	0	0	0	0	0	0	0	0	0	0	0	0	0	0	0						
	Bits		Name		Description																																	
	<31:0>		RE[x]		GPIO Pin 'x' Rising Edge Detect Enable (where x = 32 through 63). 0 – Disable rising-edge detect enable. 1 – Set corresponding GEDR status bit when a rising edge is detected on the GPIO pin																																	

Table 4-17. GRER2 Bit Definitions

Physical Address 0x40E0_0038		GRER2																System Integration Unit																				
Bit	31	30	29	28	27	26	25	24	23	22	21	20	19	18	17	16	15	14	13	12	11	10	9	8	7	6	5	4	3	2	1	0						
	reserved												RE84	RE83	RE82	RE81	RE80	RE79	RE78	RE77	RE76	RE75	RE74	RE73	RE72	RE71	RE70	RE69	RE68	RE67	RE66	RE65	RE64					
Reset	0	0	0	0	0	0	0	0	0	0	0	0	0	0	0	0	0	0	0	0	0	0	0	0	0	0	0	0	0	0	0	0						
	Bits		Name		Description																																	
	<31:21>		—		reserved																																	
	<20:0>		RE[x]		GPIO Pin 'x' Rising Edge Detect Enable (where x = 64 through 84). 0 – Disable rising-edge detect enable. 1 – Set corresponding GEDR status bit when a rising edge is detected on the GPIO pin																																	

Table 4-18. GFER0 Bit Definitions

Physical Address 0x40E0_003C		GFER0																System Integration Unit																				
Bit	31	30	29	28	27	26	25	24	23	22	21	20	19	18	17	16	15	14	13	12	11	10	9	8	7	6	5	4	3	2	1	0						
	FE31	FE30	FE29	FE28	FE27	FE26	FE25	FE24	FE23	FE22	FE21	FE20	FE19	FE18	FE17	FE16	FE15	FE14	FE13	FE12	FE11	FE10	FE9	FE8	FE7	FE6	FE5	FE4	FE3	FE2	FE1	FE0						
Reset	0	0	0	0	0	0	0	0	0	0	0	0	0	0	0	0	0	0	0	0	0	0	0	0	0	0	0	0	0	0	0	0						
	Bits		Name		Description																																	
	<31:0>		FE[x]		GPIO Pin 'x' Falling Edge Detect Enable (where x = 0 through 31). 0 – Disable falling-edge detect enable. 1 – Set corresponding GEDR status bit when a falling edge is detected on the GPIO pin																																	

Table 4-19. GFER1 Bit Definitions

Physical Address 0x40E0_0040		GFER1																System Integration Unit																				
Bit	31	30	29	28	27	26	25	24	23	22	21	20	19	18	17	16	15	14	13	12	11	10	9	8	7	6	5	4	3	2	1	0						
	FE63	FE62	FE61	FE60	FE59	FE58	FE57	FE56	FE55	FE54	FE53	FE52	FE51	FE50	FE49	FE48	FE47	FE46	FE45	FE44	FE43	FE42	FE41	FE40	FE39	FE38	FE37	FE36	FE35	FE34	FE33	FE32						
Reset	0	0	0	0	0	0	0	0	0	0	0	0	0	0	0	0	0	0	0	0	0	0	0	0	0	0	0	0	0	0	0	0						
	Bits		Name		Description																																	
	<31:0>		FE[x]		GPIO Pin 'x' Falling Edge Detect Enable (where x = 32 through 63). 0 – Disable falling-edge detect enable. 1 – Set corresponding GEDR status bit when a falling edge is detected on the GPIO pin																																	

Table 4-20. GFER2 Bit Definitions

Physical Address 0x40E0_0044		GFER2																System Integration Unit																				
Bit	31	30	29	28	27	26	25	24	23	22	21	20	19	18	17	16	15	14	13	12	11	10	9	8	7	6	5	4	3	2	1	0						
	reserved												FE84	FE83	FE82	FE81	FE80	FE79	FE78	FE77	FE76	FE75	FE74	FE73	FE72	FE71	FE70	FE69	FE68	FE67	FE66	FE65	FE64					
Reset	0	0	0	0	0	0	0	0	0	0	0	0	0	0	0	0	0	0	0	0	0	0	0	0	0	0	0	0	0	0	0	0						
	Bits		Name		Description																																	
	<31:21>		—		reserved																																	
	<20:0>		FE[x]		GPIO Pin 'x' Falling Edge Detect Enable (where x = 64 through 84). 0 – Disable falling-edge detect enable. 1 – Set corresponding GEDR status bit when a falling edge is detected on the GPIO pin																																	

4.1.3.5 GPIO Edge Detect Status Register (GEDR0, GEDR1, GEDR2)

GEDR0, GEDR1, GEDR2, shown in Table 4-21, Table 4-22, and Table 4-23, contain a total of 85 status bits that correspond to the 85 GPIO pins. When an edge detect occurs on a pin that matches the type of edge programmed in the GRER and/or GFER registers, the corresponding status bit is set in GEDR. Once a GEDR bit is set by an edge event, the bit remains set until the user clears it by writing a one to the status bit. Writing a zero to a GEDR status bit has no effect.

Each edge detect that sets the corresponding GEDR status bit for GPIO[84:0] can trigger an interrupt request. GPIO[84:2] together form a group that can cause one interrupt request to be triggered when any one of GEDR[84:2] are set. GPIO[0] and GPIO[1] cause independent first-level interrupts. Refer to Section 4.2, for a description of the programming of GPIO interrupts.

Table 4-21 through Table 4-23 show the bitmaps of the GEDR0, GEDR1, and GEDR2.

Table 4-21. GEDR0 Bit Definitions

Physical Address 0x40E0_0048		GEDR0																System Integration Unit																																														
Bit	31	30	29	28	27	26	25	24	23	22	21	20	19	18	17	16	15	14	13	12	11	10	9	8	7	6	5	4	3	2	1	0																																
	ED31	ED30	ED29	ED28	ED27	ED26	ED25	ED24	ED23	ED22	ED21	ED20	ED19	ED18	ED17	ED16	ED15	ED14	ED13	ED12	ED11	ED10	ED9	ED8	ED7	ED6	ED5	ED4	ED3	ED2	ED1	ED0																																
Reset	0	0	0	0	0	0	0	0	0	0	0	0	0	0	0	0	0	0	0	0	0	0	0	0	0	0	0	0	0	0	0	0																																
Bits	Name																																Description																															
<31:0>	ED[x]																																GPIO Pin 'x' Edge Detect Status (where x= 0 through 31). READ 0 – No edge detect has occurred on pin as specified in GRER and/or GFER. 1 – Edge detect has occurred on pin as specified in GRER and/or GFER. WRITE 0 – No effect. 1 – Clear edge detect status field.																															

Table 4-22. GEDR1 Bit Definitions

Physical Address 0x40E0_004C		GEDR1																System Integration Unit																																														
Bit	31	30	29	28	27	26	25	24	23	22	21	20	19	18	17	16	15	14	13	12	11	10	9	8	7	6	5	4	3	2	1	0																																
	ED63	ED62	ED61	ED60	ED59	ED58	ED57	ED56	ED55	ED54	ED53	ED52	ED51	ED50	ED49	ED48	ED47	ED46	ED45	ED44	ED43	ED42	ED41	ED40	ED39	ED38	ED37	ED36	ED35	ED34	ED33	ED32																																
Reset	0	0	0	0	0	0	0	0	0	0	0	0	0	0	0	0	0	0	0	0	0	0	0	0	0	0	0	0	0	0	0	0																																
Bits	Name																																Description																															
<31:0>	ED[x]																																GPIO Pin 'x' Edge Detect Status (where x= 32 through 63). READ 0 – No edge detect has occurred on pin as specified in GRER and/or GFER. 1 – Edge detect has occurred on pin as specified in GRER and/or GFER. WRITE 0 – No effect. 1 – Clear edge detect status field.																															

Table 4-23. GEDR2 Bit Definitions

Physical Address 0x40E0_0050		GEDR2																System Integration Unit															
Bit	31	30	29	28	27	26	25	24	23	22	21	20	19	18	17	16	15	14	13	12	11	10	9	8	7	6	5	4	3	2	1	0	
	reserved												ED84	ED83	ED82	ED81	ED80	ED79	ED78	ED77	ED76	ED75	ED74	ED73	ED72	ED71	ED70	ED69	ED68	ED67	ED66	ED65	ED64
Reset	0	0	0	0	0	0	0	0	0	0	0	0	0	0	0	0	0	0	0	0	0	0	0	0	0	0	0	0	0	0	0	0	0
Bits	Name	Description																															
<31:21>	—	reserved																															
<20:0>	ED[x]	<p>GPIO Pin 'x' Edge Detect Status (where x=64 through 84).</p> <p>READ</p> <p>0 – No edge detect has occurred on pin as specified in GRER and/or GFER. 1 – Edge detect has occurred on pin as specified in GRER and/or GFER.</p> <p>WRITE</p> <p>0 – No effect. 1 – Clear edge detect status field.</p>																															

4.1.3.6 GPIO Alternate Function Register (GAFR0_L, GAFR0_U, GAFR1_L, GAFR1_U, GAFR2_L, GAFR2_U)

GAFR0_L, GAFR0_U, GAFR1_L, GAFR1_U, GAFR2_L, GAFR2_U, shown in [Table 4-24](#), [Table 4-25](#), [Table 4-26](#), [Table 4-27](#), [Table 4-28](#), and [Table 4-29](#), contain select bits that correspond to the 85 GPIO pins. Each GPIO can be configured to be either a generic GPIO pin, one of 3 alternate input functions, or one of 3 alternate output functions. To select any of the alternate functions, the GPDR register must configure the GPIO to be an input. Similarly, only GPIOs configured as outputs by the GPDR can be configured for alternate output functions. Each GPIO pin has a pair of bits assigned to it whose values determine which function (normal GPIO, alternate function 1, alternate function 2 or alternate function 3) the GPIO performs. The function selected is determined by writing the GAFR bit pair as below:

- “00” indicates normal GPIO function
- “01” selects alternate input function 1 (ALT_FN_1_IN) or alternate output function 1 (ALT_FN_1_OUT)
- “10” selects alternate input function 2 (ALT_FN_2_IN) or alternate output function 2 (ALT_FN_2_OUT)
- “11” selects alternate input function 3 (ALT_FN_3_IN) or alternate output function 3 (ALT_FN_3_OUT)

Caution: Configuring a GPIO to map to an alternate function that is not available causes indeterminate results.

Table 4-24. GAFR0_L Bit Definitions

Physical Address 0x40E0_0054		GAFR0_L																System Integration Unit																		
Bit	31	30	29	28	27	26	25	24	23	22	21	20	19	18	17	16	15	14	13	12	11	10	9	8	7	6	5	4	3	2	1	0				
	AF15	AF14	AF13	AF12	AF11	AF10	AF9	AF8	AF7	AF6	AF5	AF4	AF3	AF2	AF1	AF0																				
Reset	0	0	0	0	0	0	0	0	0	0	0	0	0	0	0	0	0	0	0	0	0	0	0	0	0	0	0	0	0	0	0	0	0			
Bits	Name		Description																																	
<31:0>	AF[x]		GPIO Pin 'x' Alternate Function Select Bits (where x=0 through 15). A bit-pair in this register determines the corresponding GPIO pin's functionality as one of the alternate functions that is mapped to it or as a generic GPIO pin. 00 – The corresponding GPIO pin (GPIO[x]) is used as a general purpose I/O. 01 – The corresponding GPIO pin (GPIO[x]) is used for its alternate function 1. 10 – The corresponding GPIO pin (GPIO[x]) is used for its alternate function 2. 11 – The corresponding GPIO pin (GPIO[x]) is used for its alternate function 3.																																	

Table 4-25. GAFR0_U Bit Definitions

Physical Address 0x40E0_0058		GAFR0_U																System Integration Unit																		
Bit	31	30	29	28	27	26	25	24	23	22	21	20	19	18	17	16	15	14	13	12	11	10	9	8	7	6	5	4	3	2	1	0				
	AF31	AF30	AF29	AF28	AF27	AF26	AF25	AF24	AF23	AF22	AF21	AF20	AF19	AF18	AF17	AF16																				
Reset	0	0	0	0	0	0	0	0	0	0	0	0	0	0	0	0	0	0	0	0	0	0	0	0	0	0	0	0	0	0	0	0	0			
Bits	Name		Description																																	
<31:0>	AF[x]		GPIO Pin 'x' Alternate Function Select Bits (where x=16 through 31). A bit-pair in this register determines the corresponding GPIO pin's functionality as one of the alternate functions that is mapped to it or as a generic GPIO pin. 00 – The corresponding GPIO pin (GPIO[x]) is used as a general purpose I/O. 01 – The corresponding GPIO pin (GPIO[x]) is used for its alternate function 1. 10 – The corresponding GPIO pin (GPIO[x]) is used for its alternate function 2. 11 – The corresponding GPIO pin (GPIO[x]) is used for its alternate function 3.																																	

Table 4-26. GAFR1_L Bit Definitions

Physical Address 0x40E0_005C		GAFR1_L																System Integration Unit																		
Bit	31	30	29	28	27	26	25	24	23	22	21	20	19	18	17	16	15	14	13	12	11	10	9	8	7	6	5	4	3	2	1	0				
	AF47	AF46	AF45	AF44	AF43	AF42	AF41	AF40	AF39	AF38	AF37	AF36	AF35	AF34	AF33	AF32																				
Reset	0	0	0	0	0	0	0	0	0	0	0	0	0	0	0	0	0	0	0	0	0	0	0	0	0	0	0	0	0	0	0	0	0			
Bits	Name		Description																																	
<31:0>	AF[x]		GPIO Pin 'x' Alternate Function Select Bits (where x=32 through 47). A bit-pair in this register determines the corresponding GPIO pin's functionality as one of the alternate functions that is mapped to it or as a generic GPIO pin. 00 – The corresponding GPIO pin (GPIO[x]) is used as a general purpose I/O. 01 – The corresponding GPIO pin (GPIO[x]) is used for its alternate function 1. 10 – The corresponding GPIO pin (GPIO[x]) is used for its alternate function 2. 11 – The corresponding GPIO pin (GPIO[x]) is used for its alternate function 3.																																	

Table 4-27. GAFR1_U Bit Definitions

Physical Address 0x40E0_0060		GAFR1_U																System Integration Unit																		
Bit	31	30	29	28	27	26	25	24	23	22	21	20	19	18	17	16	15	14	13	12	11	10	9	8	7	6	5	4	3	2	1	0				
	AF63	AF62	AF61	AF60	AF59	AF58	AF57	AF56	AF55	AF54	AF53	AF52	AF51	AF50	AF49	AF48																				
Reset	0	0	0	0	0	0	0	0	0	0	0	0	0	0	0	0	0	0	0	0	0	0	0	0	0	0	0	0	0	0	0	0	0	0		
Bits	Name		Description																																	
<31:0>	AF[x]		GPIO Pin 'x' Alternate Function Select Bits (where x=48 through 63). A bit-pair in this register determines the corresponding GPIO pin's functionality as one of the alternate functions that is mapped to it or as a generic GPIO pin. 00 – The corresponding GPIO pin (GPIO[x]) is used as a general purpose I/O. 01 – The corresponding GPIO pin (GPIO[x]) is used for its alternate function 1. 10 – The corresponding GPIO pin (GPIO[x]) is used for its alternate function 2. 11 – The corresponding GPIO pin (GPIO[x]) is used for its alternate function 3.																																	

Table 4-28. GAFR2_L Bit Definitions

	Physical Address 0x40E0_0064																GAFR2_L																System Integration Unit															
Bit	31	30	29	28	27	26	25	24	23	22	21	20	19	18	17	16	15	14	13	12	11	10	9	8	7	6	5	4	3	2	1	0																
	AF79	AF78	AF77	AF76	AF75	AF74	AF73	AF72	AF71	AF70	AF69	AF68	AF67	AF66	AF65	AF64																																
Reset	0	0	0	0	0	0	0	0	0	0	0	0	0	0	0	0	0	0	0	0	0	0	0	0	0	0	0	0	0	0	0	0	0	0														
Bits	Name		Description																																													
<31:0>	AF[x]		GPIO Pin 'x' Alternate Function Select Bits (where x=64 through 79). A bit-pair in this register determines the corresponding GPIO pin's functionality as one of the alternate functions that is mapped to it or as a generic GPIO pin. 00 – The corresponding GPIO pin (GPIO[x]) is used as a general purpose I/O. 01 – The corresponding GPIO pin (GPIO[x]) is used for its alternate function 1. 10 – The corresponding GPIO pin (GPIO[x]) is used for its alternate function 2. 11 – The corresponding GPIO pin (GPIO[x]) is used for its alternate function 3.																																													

Table 4-29. GAFR2_U Bit Definitions

	Physical Address 0x40E0_0068																GAFR2_U																System Integration Unit				
Bit	31	30	29	28	27	26	25	24	23	22	21	20	19	18	17	16	15	14	13	12	11	10	9	8	7	6	5	4	3	2	1	0					
	reserved																						AF84	AF83	AF82	AF81	AF80										
Reset	0	0	0	0	0	0	0	0	0	0	0	0	0	0	0	0	0	0	0	0	0	0	0	0	0	0	0	0	0	0	0	0	0	0			
Bits	Name		Description																																		
<31:10>	—		reserved																																		
<9:0>	AF[x]		GPIO Pin 'x' Alternate Function Select Bits (where x=80 through 84). A bit-pair in this register determines the corresponding GPIO pin's functionality as one of the alternate functions that is mapped to it or as a generic GPIO pin. 00 – The corresponding GPIO pin (GPIO[x]) is used as a general purpose I/O. 01 – The corresponding GPIO pin (GPIO[x]) is used for its alternate function 1. 10 – The corresponding GPIO pin (GPIO[x]) is used for its alternate function 2. 11 – The corresponding GPIO pin (GPIO[x]) is used for its alternate function 3.																																		

4.1.3.7 Example Procedure for Configuring the Alternate Function Registers

In this example, GP0 is used as a generic GPIO and GP[15:1] are configured as their alternate functions. Refer to [Table 4-1](#) for the list of alternate functions. No other GPIOs are configured. After the de-assertion of any RESET, GPCR0[15:0] configures GPIO pins in this example to be inputs. GAFR00[31:0] will be 0x0000_0000 to indicate normal GPIO function. For simplicity, assume that GP[16-31] are inputs configured as normal GPIOs.

In this example,

- GPIO[0] is configured as a normal GPIO input

- GPIO[1] is an input configured to alternate function 1 (ALT_FN_1_IN)
- GPIO[5:2] are reserved and configured as normal GPIOs inputs
- GPIO[12:6] are outputs configured to alternate function 1 (ALT_FN_1_OUT)
- GPIO[13] is an output configured to alternate function 2 (ALT_FN_2_OUT)
- GPIO[14] is an input configured to alternate function 1 (ALT_FN_1_IN)
- GPIO[15] is an output configured to alternate function 2 (ALT_FN_2_OUT)

This programming sequence is required for programming the GPIO alternate functions out of reset:

1. WRITE GPSR0 0x0000_8000 – this sets GPIO15 (active low chip select) when it is configured as an output.

2. WRITE GPDR0 0x0000_BFC0 – GPIO[12:6], GPIO[13] and GPIO[15] as outputs. This drives GPIO[15] high until the alternate function information is programmed. This is required for active low outputs.

3. WRITE GAFR0_L 0x9955_5004 – this maps the alternate functions of GPIO[15:0]

For GPIOs that need to be configured as outputs, you must first program the GPSR and GPCR signals so the pin direction is changed. Change pin direction by setting the bit in the GPDR register—a ‘0’ is driven for active high signals and ‘1’ for active low signals.

Note: For more information on alternate functions, refer to the Source Unit column in Table 4-1 for the appropriate section of this document.

Table 4-24 through Table 4-29 show the bitmaps of the GPIO Alternate Function registers.

4.2 Interrupt Controller

The Interrupt Controller controls the interrupt sources available to the processor and also contains the location to determine the first level source of all interrupts. It also determines whether interrupts cause an IRQ or an FIQ to occur and masks the interrupts. The interrupt controller only supports a single priority level, however, interrupts can be routed to either IRQs or FIQs, with FIQs having priority over IRQs.

4.2.1 Interrupt Controller Operation

The interrupt controller provides masking capability for all interrupt sources and generates either an FIQ or IRQ processor interrupt. The interrupt hierarchy of the processor is a two-level structure.

- The first level identifies the interrupts from all the enabled and unmasked interrupt sources in the Interrupt Controller Mask Register (ICMR). First level interrupts are controlled by these registers:
 - Interrupt Controller Pending Register (ICPR) – identifies all the active interrupts within the system
 - Interrupt Controller IRQ Pending Register (ICIP) – contains the interrupts from all sources that can generate an IRQ interrupt. The Interrupt Controller Level Register (ICLR) is programmed to send interrupts to the ICIP to generate an IRQ.

— Interrupt Controller FIQ Pending Register (ICFP) – contains the interrupts from all sources that can generate an FIQ interrupt. The Interrupt Controller Level register (ICLR) is programmed to send interrupts to the ICFP to generate an FIQ.

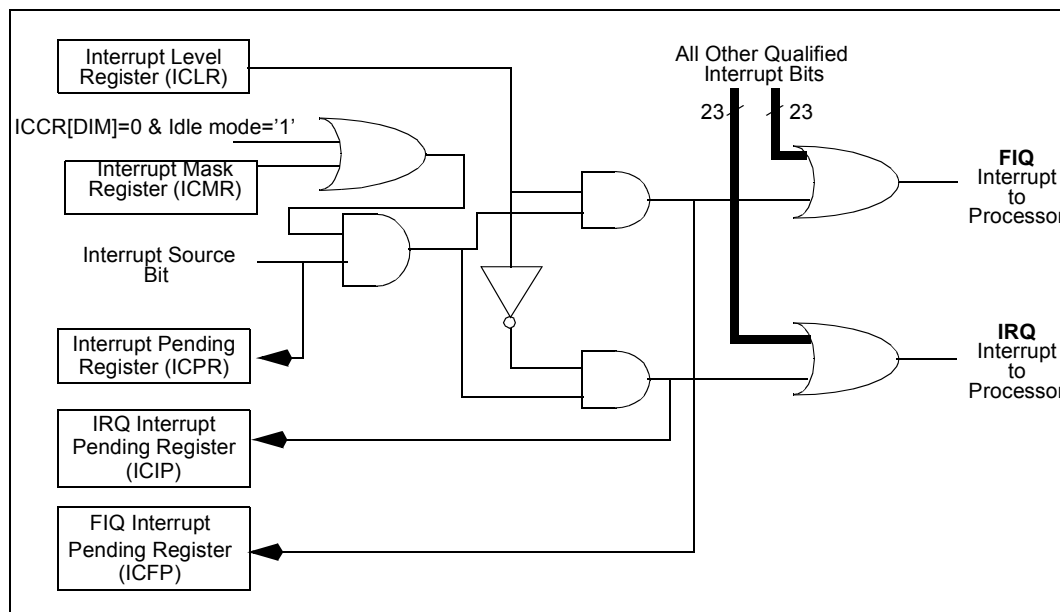
- The second level uses registers contained in the source device (the device generating the first-level interrupt bit). The second-level interrupt status gives additional information about the interrupt and is used inside the interrupt service routine. In general, multiple second-level interrupts are OR'ed to produce a first-level interrupt bit.

In most cases, the root cause of an interrupt can be determined by reading two register locations: the ICIP for an IRQ interrupt or the ICFP for an FIQ interrupt to determine the interrupting device. You then read the status register within that device to find the exact function requesting service.

When the ICCR[DIM] bit is zero, the Interrupt Mask Register is ignored during Idle mode, and all enabled interrupts cause the processor to exit from idle mode. Otherwise, only unmasked interrupts cause the processor to exit from idle mode. The reset state of ICCR[DIM] is zero.

Figure 4-2 shows a block diagram of the Interrupt Controller.

Figure 4-2. Interrupt Controller Block Diagram



4.2.2 Interrupt Controller Register Definitions

The interrupt controller contains the following registers:

- Interrupt Controller IRQ Pending register (ICIP)
- Interrupt Controller FIQ Pending register (ICFP)
- Interrupt Controller Pending register (ICPR)
- Interrupt Controller Mask register (ICMR)
- Interrupt Controller Level register (ICLR)
- Interrupt Controller Control register (ICCR)

After a reset, the FIQ and IRQ interrupts are disabled within the CPU, and the states of all of the interrupt controller registers are set to 0x0. The interrupt controller registers must be initialized by software before interrupts are again enabled within the CPU.

4.2.2.1 Interrupt Controller Mask Register (ICMR)

The ICMR, shown in Table 4-30, contains one mask bit per pending interrupt bit (22 total). The mask bits control whether a pending interrupt bit generates a processor interrupt (IRQ or FIQ). When a pending interrupt becomes active, it is only processed by the CPU if the corresponding ICMR mask bit is set to 1. While in Idle mode, ICCR[DIM] must be set for the mask to be effective, otherwise any interrupt source that makes a request sets the corresponding pending bit and the interrupt is automatically processed, regardless of the state of its mask bit.

Mask bits allow periodic software polling of interruptible sources while preventing them from actually causing an interrupt. The ICMR is initialized to zero at reset, indicating that all interrupts are masked and the ICMR has to be configured by the user to select the desired interrupts.

Table 4-36 describes the available first-level interrupts and their location in the ICPR.

Table 4-30. ICMR Bit Definitions

	Physical Address 0x40D0_0004										ICMR										System Integration Unit																	
Bit	31	30	29	28	27	26	25	24	23	22	21	20	19	18	17	16	15	14	13	12	11	10	9	8	7	6	5	4	3	2	1	0						
	IM31	IM30	IM29	IM28	IM27	IM26	IM25	IM24	IM23	IM22	IM21	IM20	IM19	IM18	IM17	reserved	reserved	IM14	IM13	IM12	IM11	IM10	IM9	IM8	reserved													
Reset	0	0	0	0	0	0	0	0	0	0	0	0	0	0	0	0	0	0	0	0	0	0	0	0	?	?	?	?	?	?	?	?						
	Bits		Name		Description																																	
	<31:8>		IM[x]		Interrupt Mask 'x' (where x= 8 through 14 and 17 through 31). 0 – Pending interrupt is masked from becoming active (interrupts are NOT sent to CPU or Power Manager). 1 – Pending interrupt is allowed to become active (interrupts are sent to CPU and Power Manager). NOTE: In idle mode, the IM bits are ignored if ICCR[DIM] is cleared.																																	
	<7:0>		—		reserved																																	

4.2.2.2 Interrupt Controller Level Register (ICLR)

The ICLR register, shown in Table 4-31, controls whether a pending interrupt generates an FIQ or an IRQ interrupt. If a pending interrupt is unmasked, the corresponding ICLR bit field is decoded to select which processor interrupt is asserted. If the interrupt is masked, then the corresponding bit in the ICLR has no effect. At reset the ICLR is initialized to all zeros, and software must configure the ICLR to reflect the normal operation value.

Table 4-36 describes the available first-level interrupts and their location in the ICPR.

Table 4-31. ICLR Bit Definitions

Physical Address 0x40D0_0008		ICLR																System Integration Unit																			
Bit	31	30	29	28	27	26	25	24	23	22	21	20	19	18	17	16	15	14	13	12	11	10	9	8	7	6	5	4	3	2	1	0					
	IL31	IL30	IL29	IL28	IL27	IL26	IL25	IL24	IL23	IL22	IL21	IL20	IL19	IL18	IL17	reserved	reserved	IL14	IL13	IL12	IL11	IL10	IL9	IL8	reserved												
Reset	0	0	0	0	0	0	0	0	0	0	0	0	0	0	0	0	0	0	0	0	0	0	0	0	0	?	?	?	?	?	?	?	?				
Bits	Name		Description																																		
<31:8>	IL[x]		Interrupt Level 'x' (where n = 8 through 14 and 17 through 31). 0 – Interrupt routed to IRQ interrupt input. 1 – Interrupt routed to FIQ interrupt input.																																		
<7:0>	—		reserved																																		

4.2.2.3 Interrupt Controller Control Register (ICCR)

The ICCR, shown in Table 4-32, contains a single control bit, Disable Idle Mask (DIM). In normal Idle mode any enabled interrupt can bring the processor out of Idle mode regardless of the value in ICMR. If this bit is set, then the interrupts that can bring the processor out of Idle mode are defined by the ICMR.

Note: This register is cleared during all resets.

Table 4-36 describes the available first-level interrupts and their location in the ICPR.

Table 4-32. ICCR Bit Definitions

Physical Address 0x40D0_0014		ICCR																System Integration Unit																			
Bit	31	30	29	28	27	26	25	24	23	22	21	20	19	18	17	16	15	14	13	12	11	10	9	8	7	6	5	4	3	2	1	0					
	reserved																																			DIM	
Reset	?	?	?	?	?	?	?	?	?	?	?	?	?	?	?	?	?	?	?	?	?	?	?	?	?	?	?	?	?	?	?	?	?	0			
Bits	Name		Description																																		
<31:1>	—		reserved																																		
<0>	DIM		Disable Idle mask. 0 – All enabled interrupts bring the processor out of idle mode. 1 – Only enabled and unmasked (as defined in the ICMR) bring the processor out of idle mode. This bit is cleared during all resets.																																		

4.2.2.4 Interrupt Controller IRQ Pending Register (ICIP) and FIQ Pending Register (ICFP)

The ICIP and the ICFP, shown in Table 4-33 and Table 4-34, contain one bit per interrupt (22 total.) These bits indicate an interrupt request has been made by a unit. Inside the interrupt service routine, read the ICIP and ICFP to determine the interrupt source. In general, software then reads status registers within the interrupting device to determine how to service the interrupt. Bits within the ICPR (see Section 4.2.2.5) are read only, and represent the logical OR of the status bits in the ICIP and ICFP for a given interrupt. Once an interrupt has been serviced, the handler writes a one to the required status bit, clearing the pending interrupt at the source.

Clearing the interrupt status bit at the source, automatically clears the corresponding ICIP or ICFP flag, provided there are no other interrupt status bits set within the source unit.

Table 4-36 describes the available first-level interrupts and their location in the ICPR.

Table 4-33. ICIP Bit Definitions

Physical Address 0x40D0_0000		ICIP														System Integration Unit																					
Bit	31	30	29	28	27	26	25	24	23	22	21	20	19	18	17	16	15	14	13	12	11	10	9	8	7	6	5	4	3	2	1	0					
	IP31	IP30	IP29	IP28	IP27	IP26	IP25	IP24	IP23	IP22	IP21	IP20	IP19	IP18	IP17	reserved	reserved	IP14	IP13	IP12	IP11	IP10	IP9	IP8	reserved												
Reset	0	0	0	0	0	0	0	0	0	0	0	0	0	0	0	0	0	0	0	0	0	0	0	0	0	?	?	?	?	?	?	?	?				
Bits	Name		Description																																		
<31:8>	IP[x]		IRQ Pending x (where x = 8 through 14 and 17 through 31). 0 – IRQ NOT requested by any enabled source. 1 – IRQ requested by an enabled source.																																		
<7:0>	—		reserved																																		

Table 4-34. ICFP Bit Definitions

Physical Address 0x40D0_000C		ICFP														System Integration Unit																					
Bit	31	30	29	28	27	26	25	24	23	22	21	20	19	18	17	16	15	14	13	12	11	10	9	8	7	6	5	4	3	2	1	0					
	FP31	FP30	FP29	FP28	FP27	FP26	FP25	FP24	FP23	FP22	FP21	FP20	FP19	FP18	FP17	reserved	reserved	FP14	FP13	FP12	FP11	FP10	FP9	FP8	reserved												
Reset	0	0	0	0	0	0	0	0	0	0	0	0	0	0	0	0	0	0	0	0	0	0	0	0	0	?	?	?	?	?	?	?	?				
Bits	Name		Description																																		
<31:8>	FP[x]		FIQ Pending x (where x = 8 through 14 and 17 through 31). 0 – FIQ NOT requested by any enabled source. 1 – FIQ requested by an enabled source.																																		
<7:0>	—		reserved																																		

4.2.2.5 Interrupt Controller Pending Register (ICPR)

The ICPR, shown in Table 4-35, is a 32-bit read-only register that shows all active interrupts in the system. These bits are not affected by the state of the mask register (ICMR). Clearing the interrupt status bit at the source, automatically clears the corresponding ICPR flag, provided there are no other interrupt status bits set within the source unit.

Table 4-36 shows the pending interrupt source assigned to each bit position in the ICPR. Also included in the table are the source units for the interrupts and the number of second-level interrupts associated with each. For more information on the second-level interrupts, see the section that corresponds to its name in the Source Unit column.

Table 4-35. ICPR Bit Definitions (Sheet 1 of 3)

		Physical Address 0x40D0_0010																ICPR								System Integration Unit							
Bit		31	30	29	28	27	26	25	24	23	22	21	20	19	18	17	16	15	14	13	12	11	10	9	8	7	6	5	4	3	2	1	0
		IS31	IS30	IS29	IS28	IS27	IS26	IS25	IS24	IS23	IS22	IS21	IS20	IS19	IS18	IS17	reserved	IS14	IS13	IS12	IS11	IS10	IS9	IS8									reserved
Reset		0	0	0	0	0	0	0	0	0	0	0	0	0	0	0	0	0	0	0	0	0	0	0	0	0	0	0	0	0	0	0	0
Bits	Name	Description																															
<31>	IS31	RTC Alarm Match Register Interrupt Pending 0 – Interrupt NOT pending due to RTC Alarm Match Register. 1 – Interrupt pending due to RTC Alarm Match Register.																															
<30>	IS30	RTC HZ Clock Tick Interrupt Pending 0 – Interrupt NOT pending due to RTC HZ Clock Tick. 1 – Interrupt pending due to RTC HZ Clock Tick.																															
<29>	IS29	OS Timer Match Register 3 Interrupt Pending 0 – Interrupt NOT pending due to OS Timer Match Register 3. 1 – Interrupt pending due to OS Timer Match Register 3.																															
<28>	IS28	OS Timer Match Register 2 Interrupt Pending 0 – Interrupt NOT pending due to OS Timer Match Register 2. 1 – Interrupt pending due to OS Timer Match Register 2.																															
<27>	IS27	OS Timer Match Register 1 Interrupt Pending 0 – Interrupt NOT pending due to OS Timer Match Register 1. 1 – Interrupt pending due to OS Timer Match Register 1.																															
<26>	IS26	OS Timer Match Register 0 Interrupt Pending 0 – Interrupt NOT pending due to OS Timer Match Register 0. 1 – Interrupt pending due to OS Timer Match Register 0.																															
<25>	IS25	DMA Channel Service Request Interrupt Pending 0 – Interrupt NOT pending due to DMA Channel Service Request. 1 – Interrupt pending due to DMA Channel Service Request.																															
<24>	IS24	SSP Service Request Interrupt Pending 0 – Interrupt NOT pending due to SSP Service Request. 1 – Interrupt pending due to SSP Service Request.																															
<23>	IS23	MMC Status/Error Detection Interrupt Pending 0 – Interrupt NOT pending due to MMC Status/Error Detection. 1 – Interrupt pending due to MMC Status/Error Detection.																															

Table 4-35. ICPR Bit Definitions (Sheet 2 of 3)

		Physical Address 0x40D0_0010														ICPR				System Integration Unit												
Bit	31	30	29	28	27	26	25	24	23	22	21	20	19	18	17	16	15	14	13	12	11	10	9	8	7	6	5	4	3	2	1	0
	IS31	IS30	IS29	IS28	IS27	IS26	IS25	IS24	IS23	IS22	IS21	IS20	IS19	IS18	IS17	reserved	IS14	IS13	IS12	IS11	IS10	IS9	IS8	reserved								
Reset	0	0	0	0	0	0	0	0	0	0	0	0	0	0	0	0	0	0	0	0	0	0	0	0	0	0	0	0	0	0	0	0
Bits	Name		Description																													
<22>	IS22		FFUART Transmit/Receive/Error Interrupt Pending 0 – Interrupt NOT pending due to FFUART Transmit/Receive/Error. 1 – Interrupt pending due to FFUART Transmit/Receive/Error.																													
<21>	IS21		BTUART Transmit/Receive/Error Interrupt Pending 0 – Interrupt NOT pending due to BTUART Transmit/Receive/Error. 1 – Interrupt pending due to BTUART Transmit/Receive/Error.																													
<20>	IS20		STUART Transmit/Receive/Error Interrupt Pending 0 – Interrupt NOT pending due to STUART Transmit/Receive/Error. 1 – Interrupt pending due to STUART Transmit/Receive/Error.																													
<19>	IS19		ICP Transmit/Receive/Error Interrupt Pending 0 – Interrupt NOT pending due to ICP Transmit/Receive/Error. 1 – Interrupt pending due to ICP Transmit/Receive/Error.																													
<18>	IS18		I2C Service Request Interrupt Pending 0 – Interrupt NOT pending due to I2C Service Request. 1 – Interrupt pending due to I2C Service Request.																													
<17>	IS17		LCD Controller Service Request Interrupt Pending 0 – Interrupt NOT pending due to LCD Controller Service Request. 1 – Interrupt pending due to LCD Controller Service Request.																													
<16>	IS16		NETWORK SSP SERVICE REQUEST INTERRUPT PENDING: 0 – Interrupt NOT pending due to Network SSP Service Request. 1 – Interrupt pending due to Network SSP Service Request.																													
<15>	—		reserved																													
<14>	IS14		AC97 Interrupt Pending 0 – Interrupt NOT pending due to AC97 unit 1 – Interrupt pending due to AC97 unit.																													
<13>	IS13		I2S Interrupt Pending 0 – Interrupt NOT pending due to I2S unit 1 – Interrupt pending due to I2S unit.																													
<12>	IS12		Performance Monitoring Unit (PMU) Interrupt Pending 0 – Interrupt NOT pending due to PMU unit. 1 – Interrupt pending due to PMU unit.																													
<11>	IS11		USB Service Interrupt Pending 0 – Interrupt NOT pending due to USB service request. 1 – Interrupt pending due to USB service request.																													
<10>	IS10		GPIO[84:2] Edge Detect Interrupt Pending 0 – Interrupt NOT pending due to edge detect on one (or more) of GPIO[84:2]. 1 – Interrupt pending due to edge detect on one (or more) of GPIO[84:2].																													

Table 4-35. ICPR Bit Definitions (Sheet 3 of 3)

Physical Address 0x40D0_0010		ICPR																System Integration Unit																			
Bit	31	30	29	28	27	26	25	24	23	22	21	20	19	18	17	16	15	14	13	12	11	10	9	8	7	6	5	4	3	2	1	0					
	IS31	IS30	IS29	IS28	IS27	IS26	IS25	IS24	IS23	IS22	IS21	IS20	IS19	IS18	IS17	reserved		IS14	IS13	IS12	IS11	IS10	IS9	IS8								reserved					
Reset	0	0	0	0	0	0	0	0	0	0	0	0	0	0	0	0	0	0	0	0	0	0	0	0	0	0	0	0	0	0	0	0					
Bits	Name		Description																																		
<9>	IS9		GPIO[1] Edge Detect Interrupt Pending 0 – Interrupt NOT pending due to edge detect on GPIO[1]. 1 – Interrupt pending due to edge detect on GPIO[1].																																		
<8>	IS8		GPIO[0] Edge Detect Interrupt Pending 0 – Interrupt NOT pending due to edge detect on GPIO[0]. 1 – Interrupt pending due to edge detect on GPIO[0].																																		
<7>	IS7		Hardware UART Service Request Interrupt Pending 0 – Interrupt NOT pending due to Hardware UART Service Request. 1 – Interrupt pending due to Hardware UART Service Request.																																		
<6:0>	—		reserved																																		

Table 4-36. List of First-Level Interrupts (Sheet 1 of 2)

Bit Position	Source Unit	# of Level 2 Sources	Bit Field Description
IS<31>	Real-time clock	1	RTC equals alarm register.
IS<30>		1	One Hz clock TIC occurred.
IS<29>	Operating system timer	1	OS timer equals match register 3.
IS<28>		1	OS timer equals match register 2.
IS<27>		1	OS timer equals match register 1.
IS<26>		1	OS timer equals match register 0.
IS<25>	DMA controller	16	DMA Channel service request.
IS<24>	Synchronous Serial Port	3	SSP service request.
IS<23>	MULTI Media Card	9	MMC status / error detection
IS<22>	FFUART	5	x-mit, receive, error in FFUART.
IS<21>	BTUART	5	x-mit, receive, error in BTUART
IS<20>	STUART	4	x-mit, receive, error in STUART
IS<19>	ICP	6	x-mit, receive, error in ICP.
IS<18>	I2C	6	I2C service request.
IS<17>	LCD controller	15	LCD controller service request.
IS<16>	Network SSP	4	Network SSP service request
IS<15>			reserved
IS<14>	AC97	10	AC97 interrupt

Table 4-36. List of First-Level Interrupts (Sheet 2 of 2)

Bit Position	Source Unit	# of Level 2 Sources	Bit Field Description
IS<13>	I2S	5	I2S interrupt
IS<12>	Core	1	PMU (Performance Monitor) interrupt
IS<11>	USB	7	USB interrupt
IS<10>		79	"OR" of GPIO edge detects 80-2
IS<9>		1	GPIO<1> edge detect
IS<8>		1	GPIO<0> edge detect
IS<7>	Hardware UART	7	Hardware UART service request
IS<6>			reserved
IS<5>			reserved
IS<4>			reserved
IS<3>			reserved
IS<2>			reserved
IS<1>			reserved
IS<0>			reserved
	Total level 2 interrupt sources	179	

Several units have more than one source per interrupt signal. When an interrupt is signalled from one of these units, the interrupt handler routine identifies which interrupt was signalled using the interrupt controller's pending register. This identifies the unit that made the request, but not the exact source. The handler then reads the interrupting unit's status register to identify which source within the unit signalled the interrupt. For all interrupts that have one corresponding source, the interrupt handler routine needs to use only the interrupt controller's registers to identify the exact cause of the interrupt. ICPR[16:15] and ICPR[7:0] are reserved bits and must be written as zeros. Reads to these bits must be ignored.

4.3 Real-Time Clock (RTC)

Use the RTC to configure a clock source with a wide range of frequencies. Typically, the RTC is set to be a 1 Hz output and is utilized as a system time keeper. There is also an alarm feature that enables an interrupt or a wake up event when the RTC output clock increments to a pre-set value.

4.3.1 Real-Time Clock Operation

The RTC provides a general-purpose real-time reference for your design. The RTC Counter register (RCNR) is initialized to zero after a hardware reset or a watchdog reset. It is a free running counter that starts incrementing the count value after the deassertion of reset. The counter is incremented one 32kHz cycle after the rising edge of the Hz clock. Since the high phase of the 1 Hz clock is one 32kHz cycle wide, it appears to increment on the falling edge of the 1 Hz clock. Set this counter to the desired value. If the counter is set to a value other than zero, write the desired value to the RCNR. The value of the counter is unaffected by transitions into and out of Sleep or Idle mode.

In addition to the RCNR, the RTC incorporates a 32-bit, RTC Alarm register (RTAR). The RTAR may be programmed with a value that is compared against the RCNR. One 32-kHz cycle after each rising edge of the HZ clock, the counter is incremented and then compared to the RTAR. If the values match, and the enable bit is set, then the RTC Status register (RTSR) alarm match bit (RTSR[AL]) is set. This status bit is also routed to the interrupt controller and may be unmasked in the interrupt controller to generate a processor interrupt. Another available interruptible status bit that can be set whenever the HZ clock transitions is the RTSR. By writing a one to the AL or HZ bit in the RTSR, the status bit is cleared.

The HZ clock is generated by dividing one of two selectable clock sources, both approximately 32.768 kHz in frequency. The first source is the output of the 3.6864 MHz crystal oscillator further divided by 112 to approximately 32.914 kHz. The other source is the optional 32.768 kHz crystal oscillator output itself. Your system may be built with both the 32.768 kHz crystal oscillator and the 3.6864 MHz crystal oscillator. ALternately, your system may only use the 3.6864 MHz crystal oscillator, if the additional power consumption during sleep mode is acceptable.

The divider logic for generating the HZ clock is programmable. This lets you trim the counter to adjust for inherent inaccuracies in the crystal's frequency and the inaccuracy caused by the division of the 3.6864 MHz oscillator which yields only an approximate 32 kHz frequency. The trimming mechanism lets you adjust the RTC to an accuracy of +/- 5 seconds per month. The trimming procedure is described in a later paragraph.

All registers in the RTC, with the exception RTTR, are reset by hardware reset and the watchdog reset. The trim register, RTTR is reset only by hardware reset.

4.3.2 RTC Register Definitions

The following sections provide register descriptions for the RTC.

4.3.2.1 RTC Trim Register (RTTR)

Program the RTTR to set the frequency of the HZ clock. The reset value of this register (0x0000_7FFF) (assuming a perfect 32.768 kHz crystal) would produce an HZ clock output of exactly 1 Hz. However, by using values other than 0x0000_7FFF, a different HZ clock frequency is possible. Additionally, developers can use a crystal that is not exactly 32.768 kHz and compensate by writing a value other than 0x0000_7FFF to the RTTR. [Section 4.3.3](#) describes how to calculate the value in this register. A write to the RTTC will increment the RTC Count Register (RCNR) by one. RTTC[LCK] does not prevent the RCNR from incrementing.

All reserved bits must be written to zeros and reads to these bits must be ignored. You can only reset the RTTR with a hardware reset. To safeguard the validity of the data written into the trim register, bit 31 is used as a Lock Bit. The data in RTTR may be changed only if RTTR[LCK] is cleared. Once, RTTR[LCK] is set to be a one, only a hardware reset can clear the RTTR.

Table 4-37. RTTR Bit Definitions

Physical Address 0x4090_000C		RTTR																System Integration Unit																		
Bit	31	30	29	28	27	26	25	24	23	22	21	20	19	18	17	16	15	14	13	12	11	10	9	8	7	6	5	4	3	2	1	0				
	LCK	reserved					DEL										CK_DIV																			
Reset	0	?	?	?	?	?	0	0	0	0	0	0	0	0	0	0	0	1	1	1	1	1	1	1	1	1	1	1	1	1	1	1	1			
	Bits	Name	Description																																	
	<31>	LCK	Locking bit for the trim value. 0 – RTTR value is allowed to be altered. 1 – RTTR value is not allowed to be altered.																																	
	<30:26>	—	reserved																																	
	<25:16>	DEL	Trim delete count. This value represents the number of 32 kHz clocks to delete when clock trimming begins.																																	
	<15:0>	CK_DIV	Clock divider count. This value is the number of 32 kHz clock cycles, plus 1, per HZ clock cycle.																																	

4.3.2.2 RTC Alarm Register (RTAR)

The RTAR, Table 4-38, is a 32-bit register. The processor can both read and write to this register. Following each rising edge of the HZ clock, this register is compared to the RCNR. If the two are equal and RTSR[ALE] is set, then RTSR[AL] is set.

Because of the asynchronous nature of the HZ clock relative to the processor clock, writes to this register are controlled by a hardware mechanism that delays the actual write to the register by two 32 kHz clock cycles after the processor store is performed.

The RTAR is initialized to 0x0 at reset.

Table 4-38. RTAR Bit Definitions

Physical Address 0x4090_0004		RTAR																System Integration Unit																		
Bit	31	30	29	28	27	26	25	24	23	22	21	20	19	18	17	16	15	14	13	12	11	10	9	8	7	6	5	4	3	2	1	0				
	RTMV																																			
Reset	0	0	0	0	0	0	0	0	0	0	0	0	0	0	0	0	0	0	0	0	0	0	0	0	0	0	0	0	0	0	0	0	0			
	Bits	Name	Description																																	
	<31:0>	RTMV	RTC Target Match Value. The value compared against the RTC counter.																																	

4.3.2.3 RTC Counter Register (RCNR)

The RCNR, shown in Table 4-39, is a read/write register. The counter may be written by the processor at any time although it is recommended that the operating system prevent inadvertent writes to the RCNR through the use of the MMU protection mechanisms (refer to the *Intel XScale® Microarchitecture for the Intel® PXA255 Processor User's Manual* for details of MMU operation.)

Because of the asynchronous nature of the HZ clock relative to the processor clock, writes to this counter are controlled by a hardware mechanism that delays the actual write to the counter after the processor store is performed by approximately two 32 kHz clock cycles. In case of multiple writes to RCNR in quick succession, the final update to the RCNR counter may be delayed by up to two 32 kHz clock cycles.

The RCNR may be read at any time. Reads reflect the value in the counter after it increments or has been written and does not have the two 32 kHz clock cycle delay.

Table 4-39. RCNR Bit Definitions

	Physical Address 0x4090_0000	RCNR	System Integration Unit
Bit	31 30 29 28 27 26 25 24 23 22 21 20 19 18 17 16 15 14 13 12 11 10 9 8 7 6 5 4 3 2 1 0		
	RCV		
Reset	0 0		
	Bits	Name	Description
	<31:0>	RCV	RTC Count Value. The current value of the RTC counter.

4.3.2.4 RTC Status Register (RTSR)

The RTSR, shown in Table 4-40, is cleared to all zeroes at hardware reset. The ALE and HZE bits enable both the interrupt for the functions as well as the updating the AL and HZ bits. The AL and HZ bits are status bits and are set by the RTC logic if the ALE and HZE bits are set respectively. They are cleared by writing ones to the AL and HZ bits. The AL and HZ bits are routed to the interrupt controller where they may be enabled to cause a first level interrupt. Write zeros to all reserved bits and ignore all reads to the reserved bits.

In Sleep mode, only AL events set the status bit in the RTSR register. The HZ bit is not set in Sleep mode since it is a recurring event.

Table 4-40 shows the bitmap of the RTC Status Register.

Table 4-40. RTSR Bit Definitions

		Physical Address 0x4090_0008	RTSR																System Integration Unit																		
Bit		31	30	29	28	27	26	25	24	23	22	21	20	19	18	17	16	15	14	13	12	11	10	9	8	7	6	5	4	3	2	1	0				
		reserved																												HZE	ALE	HZ	AL				
Reset		?	?	?	?	?	?	?	?	?	?	?	?	/	?	?	?	?	?	?	?	?	?	?	?	?	?	?	?	?	?	?	?	0	0	0	0
Bits	Name	Description																																			
<31:4>	—	reserved																																			
<3>	HZE	HZ interrupt enable. 0 – The HZ interrupt is not enabled. 1 – The HZ interrupt is enabled.																																			
<2>	ALE	RTC alarm interrupt enable. 0 – The RTC alarm interrupt is not enabled. 1 – The RTC alarm interrupt is enabled.																																			
<1>	HZ	HZ rising-edge detected. 0 – No rising edge has been detected. 1 – A rising edge has been detected and HZE bit is set.																																			
<0>	AL	RTC alarm detected. 0 – No RTC alarm has been detected. 1 – An RTC alarm has been detected (RTNR matches RCAR).and ALE bit is set																																			

4.3.3 Trim Procedure

The HZ clock driving the RTC is generated by dividing the output of the oscillator multiplexor. The inherent inaccuracies of crystals, aggravated by varying capacitance of the board connections, as well as other variables, may cause the time base to be somewhat inaccurate. This requires a slight adjustment in the desired clock period. The processor, through the RTTR, lets you adjust (or trim) the HZ time base to an error of less than 1 ppm. Such that if the HZ clock is set to be 1 Hz, there would be an error of less than 5 seconds per month.

The RTTR is reset to its default value of 0x0000_7FFF each time the nRESET signal is asserted. This yields approximately a 1 Hz clock.

When the clock divisor count (RTTR[15:0]) is set to 0x0, the HZ clock feeding the RTC maintains a high level signal - essentially disabling the RTC. For all non-zero values programmed into the clock divisor count, the HZ clock frequency will be the 32 kHz clock source divided by the clock divisor count plus 1.

4.3.3.1 Oscillator Frequency Calibration

To determine the value programmed into the RTTR, you must first measure the output frequency at the oscillator multiplexor (approximately 32 kHz) using an accurate time base, such as a frequency counter. This clock is externally visible by selecting the alternate function for GPIO[12] or GPIO[72]. To gain access to the clock, program this pin as an output and then switch to the alternate function. Refer to [Section 4.1](#), for details on how to make the clock externally visible. To trim the clock, divide the output of the oscillator by an integer value and fractional adjust it by periodically deleting clocks from the stream driving this integer divider.

4.3.3.2 RTTR Value Calculations

After the true frequency of the oscillator is known, it must be divided by the desired HZ clock frequency and this value split into integer and fractional portions. The integer portion of the value (minus one) is loaded into the Clock Divider Count field of the RTTR. This value is compared against a 16-bit counter clocked by the output of the oscillator multiplexor at approximately 32 kHz. When the two values are equal, the counter resets and generates a pulse which constitutes the raw HZ clock signal.

The fractional part of the adjustment is done by periodically deleting clocks from the clock stream driving the integer counter. The trim interval period is hardwired to be $2^{10}-1$ periods of the HZ clock. If the HZ clock is programmed to be 1 Hz the trim interval would be approximately 17 minutes. The number of clocks deleted (the trim delete value) is a 10-bit programmable counter allowing from 0 to $2^{10}-1$ 32 kHz clocks to be deleted from the input clock stream once per trim interval. RTTR[25:16] represents the number of 32 kHz clocks deleted per trim operation.

In summary, every $2^{10}-1$ HZ clock periods, the integer counter stops clocking for a period equal to the fractional error that has accumulated. If this fractional error is programmed to be zero, then no trim operations occur and the RTC is clocked with the raw 32 kHz clock. The relationship between the HZ clock frequency and the nominal 32 kHz clock (f1 and f32k, respectively) is shown in the following equation.

$$f1 = \frac{(2^{10}-1) * (RTTR[CK_DIV]+1) - RTTR[DEL]}{(2^{10}-1) * (RTTR[CK_DIV]+1)} * \frac{f32k}{(RTTR[CK_DIV]+1)}$$

f1 = HZ clock frequency

f32k = RTC internal clock - either the 32.678 kHz crystal output or the 3.68 MHz crystal output divided down to 32.914 kHz

RTTR[DEL] = RTTR(25:16)

RTTR[CK_DIV] = RTTR(15:0)

4.3.3.2.1 Trim Example #1 – Measured Value Has No Fractional Component

In this example, the desired HZ clock frequency is 1 Hz. The oscillator output is measured as 36045.000 cycles/s (Hz). This output is exactly 3277 cycles over the nominal frequency of the crystal (32.768 kHz) and has no fractional component. As such, only the integer trim function is needed - no fractional trim is required. Accordingly, RTTR[15:0] is loaded with the binary equivalent of 36045-1, or 0x0000_8CCC. RTTR[25:16] is left at zero (power-up state) to disable fractional trimming. This trim exercise leaves an error of zero in trimming.

4.3.3.2.2 Trim Example #2 – Measured Value Has a Fractional Component

This example is more common in that the measured frequency of the oscillator has a fractional component. Again, the desired HZ clock output frequency is 1 Hz. If the oscillator output is measured as 32768.92 cycles/s (Hz), an integer trim is necessary so that the *average* number of cycles counted before generating one 1 Hz clock is 32768.92. Similar to the previous example, the integer field RTTR[15:0] is loaded with the hexadecimal equivalent of 32768-1 or 0x0000_7FFF (reset value).

Because the actual clock frequency is 0.92 cycles per second faster than the integer value, the HZ clock generated by just the integer trimming is slightly faster than needed and must be slowed down. Accordingly, program the fractional trim to delete 0.92 cycles per second on average to

bring the HZ output frequency down to the proper value. Since the trimming procedure is performed every 1023 ($2^{10}-1$) seconds, the trim must be set to delete 941.16 clocks every 1023 seconds ($.92 \times 1023 = 941.16$). Load the counter with the hexadecimal equivalent of 941, or 0x3AD. The fractional component of this value cannot be trimmed out and constitutes the error in trimming, described below.

This trim setting leaves an error of 16 cycles per 1023 seconds. The error calculation yields (in parts-per-million or ppm):

$$\text{Error} = \frac{0.16 \text{ cycles}}{1023 \text{ sec}} \times \frac{1 \text{ sec}}{32768 \text{ cycles}} = 0.002 \text{ ppm}$$

4.3.3.2.3 Maximum Error Calculation Versus RTC Accuracy

As seen from trim example #2, the maximum possible error approaches 1 clock per $2^{10}-1$ seconds. Calculating the ppm error for this scenario yields:

$$\text{Error (maximum)} = \frac{1 \text{ cycle}}{1023 \text{ sec}} \times \frac{1 \text{ sec}}{32768 \text{ cycles}} = 0.03 \text{ ppm}$$

To maintain an accuracy of +/- 5 seconds per month, the required accuracy is calculated to be:

$$\text{Error} = \frac{5 \text{ sec}}{\text{month}} \times \frac{1 \text{ month}}{2592000 \text{ sec}} = 1.9 \text{ ppm}$$

This calculation indicates that the HZ clock output can be made very accurate through the use of the trim procedure. Likewise, use the trim procedure to compensate for a range of factors that can affect crystal oscillators. Such factors can include, but are not limited to:

- Manufacturing and supplier variance in the crystals
- Crystal aging effects
- System voltage differences
- System manufacturing variance

The trim procedure can counteract these factors by providing a highly accurate mechanism to remove the variance and shifts from the manufacturing and static environment variables on an individual system level. However, since this is a calibration solution, it is not a practical solution for dynamic changes in the system and environment and can most likely only be done in a factory setting due to the equipment required.

4.4 Operating System (OS) Timer

The processor contains a 32-bit OS timer that is clocked by the 3.6864 MHz oscillator. The Operating System Count register (OSCR) is a free running up-counter. The OS timer also contains four 32-bit match registers (OSMR3, OSMR2, OSMR1, OSMR0). Developers can read and write to each register. When the value in the OSCR is equal to the value within any of the match registers, and the interrupt enable bit is set, the corresponding bit in the OSSR is set. These bits are

also routed to the interrupt controller where they can be programmed to cause an interrupt. OSMR3 also serves as a watchdog match register that resets the processor when a match occurs provided the OS Timer Watchdog Match Enable Register (OWER) is set. You must initialize the OSCR and OSMR registers and clear any set status bits before the FIQ and IRQ interrupts are enabled within the CPU.

4.4.1 Watchdog Timer Operation

The OSMR3 can also be used as a watchdog compare register. This function is enabled by setting OWER[0]. When a compare against this register occurs and the watchdog is enabled, reset is applied to the processor and most internal states are cleared. Internal reset is asserted for 256 processor clocks and then removed, allowing the processor to boot. See [Section 3.4.2, “Watchdog Reset”](#) on page 3-7 for details on reset functionality.

The following procedure is suggested when using OSMR3 as a watchdog — each time the operating system services the register:

1. The current value of the counter is read.
2. An offset is then added to the read value. This offset corresponds to the amount of time before the next time-out (care must be taken to account for counter wraparound).
3. The updated value is written back to OSMR3.

The OS code must repeat this procedure periodically before each match occurs. If a match occurs, the OS timer asserts a reset to the processor.

4.4.2 OS Timer Register Definitions

4.4.2.1 OS Timer Match Register 0-3 (OSMRx)

These registers are 32-bits wide and are readable and writable by the processor. They are compared against the OSCR after every rising edge of the 3.6864 MHz clock. If any of these registers match the counter register, and the appropriate interrupt enable bit is set, then the corresponding status bit in the OSSR is set. The status bits are routed to the interrupt controller where they can be unmasked to cause a CPU interrupt. The OSMR3 can also be used as a watchdog timer.

[Table 4-41](#) shows the bitmap of the OS Timer Match register. All four registers are identical, except for location. A single, generic OS Timer match register is described, but all information is common to all four OS Timer Match Registers.

Table 4-41. OSMR[x] Bit Definitions

	Physical Address		OS Timer Match Register 0-3 (OSMR3, OSMR2, OSMR1, OSMR0)																System Integration Unit															
	0x40A0_0000 0x40A0_0004 0x40A0_0008 0x40A0_000C																																	
Bit	31	30	29	28	27	26	25	24	23	22	21	20	19	18	17	16	15	14	13	12	11	10	9	8	7	6	5	4	3	2	1	0		
	OSMV																																	
Reset	0	0	0	0	0	0	0	0	0	0	0	0	0	0	0	0	0	0	0	0	0	0	0	0	0	0	0	0	0	0	0	0	0	0
Bits	Name		Description																															
<31:0>	OSMV		OS Timer Match Value. The value compared against the OS timer counter.																															

4.4.2.2 OS Timer Interrupt Enable Register (OIER)

The OIER, shown in Table 4-42, contains four enable bits that indicate whether a match between one of the match registers and the OS timer counter sets a status bit in the OSSR. Each match register has a corresponding enable bit. Clearing an enable bit does not clear the corresponding interrupt status bit if it is already set.

Table 4-42. OIER Bit Definitions

	Physical Address		OS Timer Interrupt Enable Register (OIER)																System Integration Unit																	
	0x40A0_001C																																			
Bit	31	30	29	28	27	26	25	24	23	22	21	20	19	18	17	16	15	14	13	12	11	10	9	8	7	6	5	4	3	2	1	0				
	reserved																																			
Reset	?	?	?	?	?	?	?	?	?	?	?	?	?	?	?	?	?	?	?	?	?	?	?	?	?	?	?	?	?	?	?	?	0	0	0	0
Bits	Name		Description																																	
<31:4>	—		reserved																																	
<3>	E3		Interrupt enable channel 3. 0 – A match between OSMR3 and the OS Timer will NOT assert OSSR[M3]. 1 – A match between OSMR3 and the OS Timer asserts OSSR[M3].																																	
<2>	E2		Interrupt enable channel 2. 0 – A match between OSMR2 and the OS Timer will NOT assert OSSR[M2]. 1 – A match between OSMR2 and the OS Timer asserts OSSR[M2].																																	
<1>	E1		Interrupt enable channel 1. 0 – A match between OSMR1 and the OS Timer will NOT assert OSSR[M1]. 1 – A match between OSMR1 and the OS Timer asserts OSSR[M1].																																	
<0>	E0		Interrupt enable channel 0. 0 – A match between OSMR0 and the OS Timer will NOT assert OSSR[M0]. 1 – A match between OSMR0 and the OS Timer asserts OSSR[M0].																																	

4.4.2.3 OS Timer Watchdog Match Enable Register (OWER)

The OWER, shown in Table 4-43, contains a single control bit (bit 0) that enables the watchdog function. This bit is set by writing a one to it and can only be cleared by one of the reset functions such as, hardware reset, sleep reset, watchdog reset, and GPIO reset.

Table 4-43. OWER Bit Definitions

	Physical Address 0x40A0_0018		OS Timer Watchdog Match Enable Register (OWER)		System Integration Unit																															
Bit	31	30	29	28	27	26	25	24	23	22	21	20	19	18	17	16	15	14	13	12	11	10	9	8	7	6	5	4	3	2	1	0				
	reserved																														WME					
Reset	0	0	0	0	0	0	0	0	0	0	0	0	0	0	0	0	0	0	0	0	0	0	0	0	0	0	0	0	0	0	0	0	0			
	Bits		Name		Description																															
	<31:1>		—		reserved																															
	<0>		WME		Watchdog Match Enable 0 – OSMR3 match will NOT cause a reset of the processor 1 – OSMR3 match causes a reset of the processor.																															

4.4.2.4 OS Timer Count Register (OSCR)

The OSCR, shown in Table 4-44, is a 32-bit counter that increments on rising edges of the 3.6864 MHz clock. This counter can be read or written at any time. It is recommended that the system write-protect this register through the MMU protection mechanisms.

After the OSCR is written, there is a delay before the register is actually updated. Software must make sure the register has changed to the new value before relying on the contents of the register.

Table 4-44. OSCR Bit Definitions

	Physical Address 0x40A0_0010		OS Timer Count Register (OSCR)		System Integration Unit																												
Bit	31	30	29	28	27	26	25	24	23	22	21	20	19	18	17	16	15	14	13	12	11	10	9	8	7	6	5	4	3	2	1	0	
	OSCV																																
Reset	0	0	0	0	0	0	0	0	0	0	0	0	0	0	0	0	0	0	0	0	0	0	0	0	0	0	0	0	0	0	0	0	0
	Bits		Name		Description																												
	<31:0>		OSCV		OS Timer Counter Value. The current value of the OS timer counter.																												

4.4.2.5 OS Timer Status Register (OSSR)

The OSSR, shown in Table 4-45, contains status bits that indicate a match has occurred between any of the four match registers and the OSCR. These bits are set when the match event occurs (following the rising edge of the 3.6864 MHz clock) and the corresponding interrupt enable bit is set in the OIER. The OSSR bits are cleared by writing a one to the proper bit position. Writing zeros to this register has no effect. Write all reserved bits as zeros and ignore all reads.

Table 4-45. OSSR Bit Definitions

	Physical Address 0x40A0_0014																OS Timer Status Register (OSSR)																System Integration Unit			
Bit	31	30	29	28	27	26	25	24	23	22	21	20	19	18	17	16	15	14	13	12	11	10	9	8	7	6	5	4	3	2	1	0				
	reserved																												M3	M2	M1	M0				
Reset	?	?	?	?	?	?	?	?	?	?	?	?	?	?	?	?	?	?	?	?	?	?	?	?	?	?	?	?	?	?	?	?	0	0	0	0
Bits	Name		Description																																	
<31:4>	—		reserved																																	
<3>	M3		Match status channel 3. If OIER[3] is set then: 0 – OSMR[3] has NOT matched the OS timer counter since last being cleared. 1 – OSMR[3] has matched the OS timer counter.																																	
<2>	M2		Match status channel 2. If OIER[2] is set then: 0 – OSMR[2] has NOT matched the OS timer counter since last being cleared. 1 – OSMR[2] has matched the OS timer counter.																																	
<1>	M1		Match status channel 1. If OIER[1] is set then: 0 – OSMR[1] has NOT matched the OS timer counter since last being cleared. 1 – OSMR[1] has matched the OS timer counter.																																	
<0>	M0		Match status channel 0. If OIER[0] is set then: 0 – OSMR[0] has NOT matched the OS timer counter since last being cleared. 1 – OSMR[0] has matched the OS timer counter.																																	

4.5 Pulse Width Modulator

Use the Pulse Width Modulator (PWM) to generate as many as two signals to be output from the processor. The signals are based on the 3.6864 MHz clock and must be a minimum of 2 clock cycles wide. These signals are output from the processor by configuring the GPIOs.

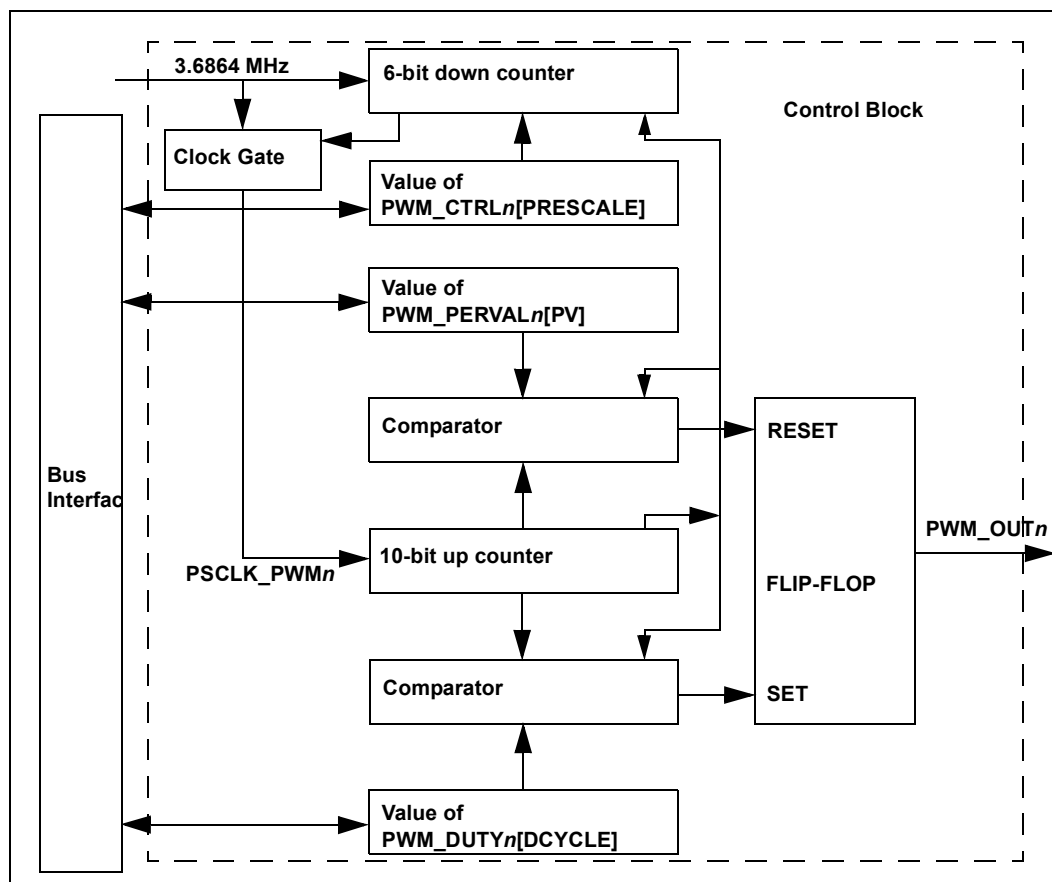
4.5.1 Pulse Width Modulator Operation

The processor contains two pulse width modulators: PWM0 and PWM1. Each PWM operates independently of the other, is controlled by its own set of registers. They provide a pulse width modulated signal on an external pin. Since each PWM contains identical circuitry, a generic PWM n , where n is 0 or 1, is described.

Each PWM contains:

- Two Pulse Width Modulator channels
- Enhanced Period control through 6-Bit Clock divider and 10-Bit Period counter
- 10-Bit Pulse control

A block diagram of one of the PWMs is shown in [Figure 4-3](#).

Figure 4-3. PWM_n Block Diagram


4.5.1.1 Interdependencies

The PWM unit is clocked off the 3.6864 MHz oscillator output.

Each Pulse Width Modulator Unit (PWM_n) is controlled by three registers:

- Pulse Width Control Register (PWM_CTRL)
- Duty Cycle Control Register (PWM_DUTY)
- Period Control Register (PWM_PERVAL)

By setting the values in these registers the PWM_n unit produces a pulse width modulated output signal. The registers contain the values for PWM_n's counters and PWM_n power management mode.

Each register contains one or more fields which determine an attribute of the PWM_OUT_n waveform. PWM_CTRL_n[PRESCALE] specifies the divisor for the PWM module clock. Note that the actual PWM module clock divisor used is 1 greater than the value programmed into PWM_CTRL_n[PRESCALE]. This divided PWM module clock drives a 10 bit up-counter. This up-counter feeds 2 separate comparators. The first comparator contains the value of PWM_DUTY_n[DCYCLE]. When the values match, the PWM_OUT signal is set high. The other

comparator contains PWM_PERVALn[PV] and clears the PWM_OUT signal low when PWM_PERVALn[PV] + 1 and the 10-bit up counter are equal. Both PWM_PERVALn[PV] and PWM_DUTYn[DCYCLE] are 10 bit fields.

Note: Take care to ensure that the value of the PWM_PERVALn register remains larger than PWM_DUTYn register. In the case where PWM_PERVALn is less than PWM_DUTYn the output maintains a high state.

4.5.1.2 Reset Sequence

A system reset results in no pulse width modulated signal. During system reset the PWM_CTRLn and PWM_DUTYn registers are reset to 0x0 and the PWM_PERVALn register is set to 0x004. This sets the PWM_OUTn pin low with a zero duty cycle. The six bit down-counter is reset to 0x0 and thus the 3.68 MHz input clock directly drives the 10 bit up-counter. The PWM_OUTn pin remains reset low until the PWM_DUTYn register is programmed with a non zero value.

A basic pulse width waveform is shown in [Figure 4-4](#).

4.5.1.3 Power Management Requirements

Each PWM may be disabled through a pair of clock enable bits (see [Section 3.6.2, “Clock Enable Register \(CKEN\)”](#) on page 3-36). If the clock is disabled, the unit shuts down in one of two ways:

- Abrupt – the PWM stops immediately.
- Graceful – the PWM completes the current duty cycle before stopping.

Shutdown is selected by PWM_CTRL[PWM_SD] and described in [Section 4.5.2.1](#).

4.5.2 Register Descriptions

The following paragraphs provide register descriptions for the Pulse Width Modulator.

4.5.2.1 PWM Control Registers (PWM_CTRLn)

The PWM_CTRLn, shown in [Table 4-46](#), contains two fields:

- PRESCALE – The PRESCALE field contains the 6-bit prescale counter load value. This field allows the 3.6864 MHz input clock PSCLK_PWMn, to be divided by values between 1 (PWM_CTL[PRESCALE] = 0) and 64 (PWM_CTL[PRESCALE] = 63).

Note: The value of the divisor is one greater than the value programmed into the PRESCALE field.

- PWM_SD – PWMn can shut down in one of two ways, gracefully or abruptly, depending on the setting of PWM_CTRLn[PWM_SD]. If gracefully is chosen, then the duty cycle counter completes its count before PWMn is shut down. If abruptly is chosen, then the prescale counter and the duty cycle counter are reset to the reload values in their associated registers and PWMn is immediately shut down.

Note: During abrupt shut down the PWM_OUTn signal may be delayed by up to one PSCLK_PWMn clock period.

Table 4-46. PWM_CTRLn Bit Definitions

Physical Address		PWM Control Registers		System Integration Unit			
0x40B0_0000 0x40C0_0000		(PWM_CTRL0, PWM_CTRL1)					
Bit	31 30 29 28 27 26 25 24 23 22 21 20 19 18 17 16 15 14 13 12 11 10 9 8 7 6 5 4 3 2 1 0	reserved				PWM_SD	PRESCALE
Reset	0 0					0	0
Bits	Name	Description					
<31:7>	—	reserved					
<6>	PWM_SD	PWMn Shutdown Method: 0 – Graceful shutdown of PWMn when the clock enable bit in the CKEN register is cleared. 1 – Abrupt shutdown of PWMn when the clock enable bit in the CKEN register is cleared.					
<5:0>	PRESCALE	PWMn Prescale Divisor. Determines the frequency of the PWM module clock (in terms of the 3.86 MHz clock) $PSCLK_PWMn = 3.6864 \text{ MHz} / (PWM_CTRL[PRESCALE] + 1)$					

4.5.2.2 PWM Duty Cycle Registers (PWM_DUTYn)

The PWM_DUTYn, shown in Table 4-47, contains two fields:

- FDCYCLE
- DCYCLE

The FDCYCLE bit determines whether or not PWM_OUTn is a function of the DCYCLE bits in the PWM_DUTYn register or is set high. When the FDCYCLE bit is cleared low (normal operation), the output waveform of PWM_OUTn is cyclic, with PWM_OUTn being high for the number of PSCLK_PWMn periods equal to DCYCLE.

If FDCYCLE=0x0 and DCYCLE=0x0, PWM_OUTn is set low and does not toggle.

Note: If FDCYCLE is 0b1, PWM_OUTn is high for the entire period and is not influenced by the value programmed in the DCYCLE bits.

Table 4-47. PWM_DUTYn Bit Definitions

	Physical Address 0x40B0_0004 0x40C0_0004		PWM Duty Cycle Registers (PWM_DUTY0, PWM_DUTY1)		System Integration Unit																												
Bit	31	30	29	28	27	26	25	24	23	22	21	20	19	18	17	16	15	14	13	12	11	10	9	8	7	6	5	4	3	2	1	0	
	reserved																						FDCYCLE	DCYCLE									
Reset	0	0	0	0	0	0	0	0	0	0	0	0	0	0	0	0	0	0	0	0	0	0	0	0	0	0	0	0	0	0	0	0	0
	Bits	Name	Description																														
	<31:11>	—	reserved																														
	<10>	FDCYCLE	PWMn Full Duty Cycle 0 – PWM clock (PWM_OUTn) duty cycle is determined by DCYCLE field. 1 – PWM_OUTn is set high and does not toggle.																														
	<9:0>	DCYCLE	PWMn Duty Cycle Duty cycle of PWMn clock, i.e. the number of PSCLK_PWM cycles PWMn is asserted within one cycle of PWMn.																														

4.5.2.3 PWM Period Control Register (PWM_PERVALn)

The PWM_PERVAL_n, shown in Table 4-48, contains a 10 bit field called PV. This field determines the period of the PWM_OUT_n waveform in terms of the PSCLK_PWM_n clock. If this field is cleared to zero PWM_n is effectively turned off and PWM_OUT_n remains in a high state. For any non-zero value written to the PV field, the output frequency of PWM_n is the frequency of the PSCLK_OUT_n divided by the value of (PV + 1). The range of the clock gate extends from a pass-through of the PSCLK_PWM_n to a clock delay of 2⁶ or 64 input clocks per output pulse.

When the value of the 10 bit up-counter equals the value of (PV + 1), the up-counter and the flip-flop are reset and the values of PWM_CTRL_n, PWM_PERVAL_n and PWM_DUTY_n are loaded into the internal versions of these registers. Resetting this flip-flop causes PWM_OUT_n to go low and the PWM cycle to start again.

Writing all zeroes to this register results in the output maintaining a high state unless FDCYCLE=0x0 and DCYCLE=0x0. If FDCYCLE=0x0 and DCYCLE=0x0, the output maintains a low state regardless of the value in the PV bit field.

Note: Due to internal timing requirements, all changes to any of the PWM registers must be complete a minimum of 4 core clock cycles before the start of end of a PWM clock cycle in order to guarantee that the following PWM cycle implements the new values.

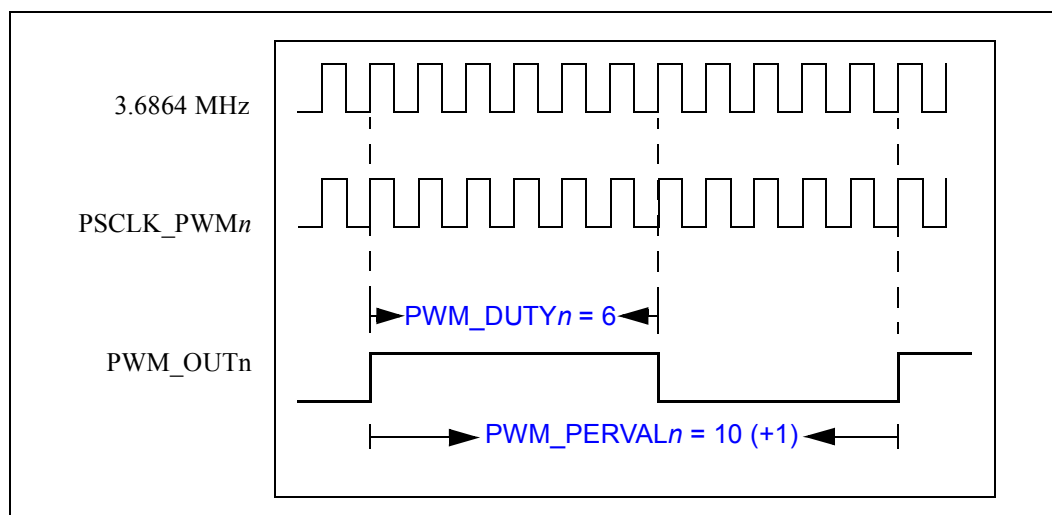
Table 4-48. PWM_PERVALn Bit Definitions

		Physical Address 0x40B0_0008 0x40C0_0008	PWM Period Control Registers (PWM_PERVAL0, PWM_PERVAL1)	System Integration Unit
Bit	31 30 29 28 27 26 25 24 23 22 21 20 19 18 17 16 15 14 13 12 11 10 9 8 7 6 5 4 3 2 1 0			
		reserved		PV
Reset	0 1 0 0			
Bits	Name	Description		
<31:10>	—	reserved		
<9:0>	PV	PWMn Period Control: The number of PSCLK_PWMn cycles that comprise one PWM_OUTn cycle NOTE: If PV = 0x0, the PWMn clock (PWM_OUTn) is set high and does not toggle unless FDCYCLE=0x0 and DCYCLE=0x0. In this case PWM_OUTn is set low and does not toggle regardless of the value in PV.		

4.5.3 Pulse Width Modulator Output Wave Example

Figure 4-4 is an example of the output of a Pulse Width Modulator for reference.

Figure 4-4. Basic Pulse Width Waveform



PWM_PERVAL[PV] = 0xA
 PWM_DUTY[FDCYCLE] = 0x0
 PWM_DUTY[DCYCLE] = 0x6
 PWM_CTRL[PRESCALE] = 0x0

The output waveform in Figure 4-4 is created by writing PWM_PERVALn[PV] with a decimal value of 10 (11 clocks) and PWM_DUTYn[DCYCLE] with 6. Figure 4-4 also shows that PWM_CTRLn[PRESCALE] is configured with a value of 0x0 loaded, which results in the PSCLK_PWMn having the same frequency as the 3.6864 MHz input clock.

4.6 System Integration Unit Register Summary

4.6.1 GPIO Register Locations

Table 4-49 shows the registers associated with the GPIO block and their physical addresses.

Table 4-49. GPIO Register Addresses (Sheet 1 of 2)

Address	Name	Description
0x40E0_0000	GPLR0	GPIO pin level register GPIO[31:0]
0x40E0_0004	GPLR1	GPIO pin level register GPIO[63:32]
0x40E0_0008	GPLR2	GPIO pin level register GPIO[80:64]
0x40E0_000C	GPDR0	GPIO pin direction register GPIO[31:0]
0x40E0_0010	GPDR1	GPIO pin direction register GPIO[63:32]
0x40E0_0014	GPDR2	GPIO pin direction register GPIO[80:64]
0x40E0_0018	GPSR0	GPIO pin output set register GPIO[31:0]
0x40E0_001C	GPSR1	GPIO pin output set register GPIO[63:32]
0x40E0_0020	GPSR2	GPIO pin output set register GPIO[80:64]
0x40E0_0024	GPCR0	GPIO pin output clear register GPIO[31:0]
0x40E0_0028	GPCR1	GPIO pin output clear register GPIO[63:32]
0x40E0_002C	GPCR2	GPIO pin output clear register GPIO[80:64]
0x40E0_0030	GRER0	GPIO rising-edge detect enable register GPIO[31:0]
0x40E0_0034	GRER1	GPIO rising-edge detect enable register GPIO[63:32]
0x40E0_0038	GRER2	GPIO rising-edge detect enable register GPIO[80:64]
0x40E0_003C	GFER0	GPIO falling-edge detect enable register GPIO[31:0]
0x40E0_0040	GFER1	GPIO falling-edge detect enable register GPIO[63:32]
0x40E0_0044	GFER2	GPIO falling-edge detect enable register GPIO[80:64]
0x40E0_0048	GEDR0	GPIO edge detect status register GPIO[31:0]
0x40E0_004C	GEDR1	GPIO edge detect status register GPIO[63:32]
0x40E0_0050	GEDR2	GPIO edge detect status register GPIO[80:64]
0x40E0_0054	GAFR0_L	GPIO alternate function select register GPIO[15:0]
0x40E0_0058	GAFR0_U	GPIO alternate function select register GPIO[31:16]
0x40E0_005C	GAFR1_L	GPIO alternate function select register GPIO[47:32]

Table 4-49. GPIO Register Addresses (Sheet 2 of 2)

0x40E0_0060	GAFR1_U	GPIO alternate function select register GPIO[63:48]
0x40E0_0064	GAFR2_L	GPIO alternate function select register GPIO[79:64]
0x40E0_0068	GAFR2_U	GPIO alternate function select register GPIO[80]

4.6.2 Interrupt Controller Register Locations

Table 4-50 shows the registers associated with the interrupt controller block and their physical addresses.

Table 4-50. Interrupt Controller Register Addresses

Address	Name	Description
0x40D0_0000	ICIP	Interrupt controller IRQ pending register
0x40D0_0004	ICMR	Interrupt controller mask register
0x40D0_0008	ICLR	Interrupt controller level register
0x40D0_000C	ICFP	Interrupt controller FIQ pending register
0x40D0_0010	ICPR	Interrupt controller pending register
0x40D0_0014	ICCR	Interrupt controller control register

4.6.3 Real-Time Clock Register Locations

Table 4-51 describes the location of the RTC registers.

Table 4-51. RTC Register Addresses

Address	Name	Description
0x4090_0000	RCNR	RTC count register
0x4090_0004	RTAR	RTC alarm register
0x4090_0008	RTSR	RTC status register
0x4090_000C	RTTR	RTC trim register

4.6.4 OS Timer Register Locations

Table 4-52 shows the registers associated with the OS timer and the physical addresses used to access them.

Table 4-52. OS Timer Register Addresses (Sheet 1 of 2)

Address	Name	Description
0x40A0_0000	OSMR0	OS timer match register 0
0x40A0_0004	OSMR1	OS timer match register 1
0x40A0_0008	OSMR2	OS timer match register 2

Table 4-52. OS Timer Register Addresses (Sheet 2 of 2)

0x40A0_000C	OSMR3	OS timer match register 3
0x40A0_0010	OSCR	OS timer counter register
0x40A0_0014	OSSR	OS timer status register
0x40A0_0018	OWER	OS timer watchdog enable register
0x40A0_001C	OIER	OS timer interrupt enable register

4.6.5 Pulse Width Modulator Register Locations

Table 4-53 shows the registers associated with the PWM and the physical addresses used to access them.

Table 4-53. Pulse Width Modulator Register Addresses

Address	Name	Description
0x40B0_0000	PWM_CTRL0	PWM0 Control Register
0x40B0_0004	PWM_PWDUTY0	PWM0 Duty Cycle Register
0x40B0_0008	PWM_PERVAL0	PWM0 Period Control Register
0x40C0_0000	PWM_CTRL1	PWM1 Control Register
0x40C0_0004	PWM_PWDUTY1	PWM1 Duty Cycle Register
0x40C0_0008	PWM_PERVAL1	PWM1 Period Control Register

This chapter describes the on-chip DMA controller (DMAC) for the PXA255 processor. The DMAC transfers data to and from main memory in response to requests generated by internal and external peripherals. The peripherals do not directly supply addresses and commands to the memory system. The DMAC has 16 DMA channels, 0 through 15, and every DMA request from the peripheral generates at least one memory bus cycle.

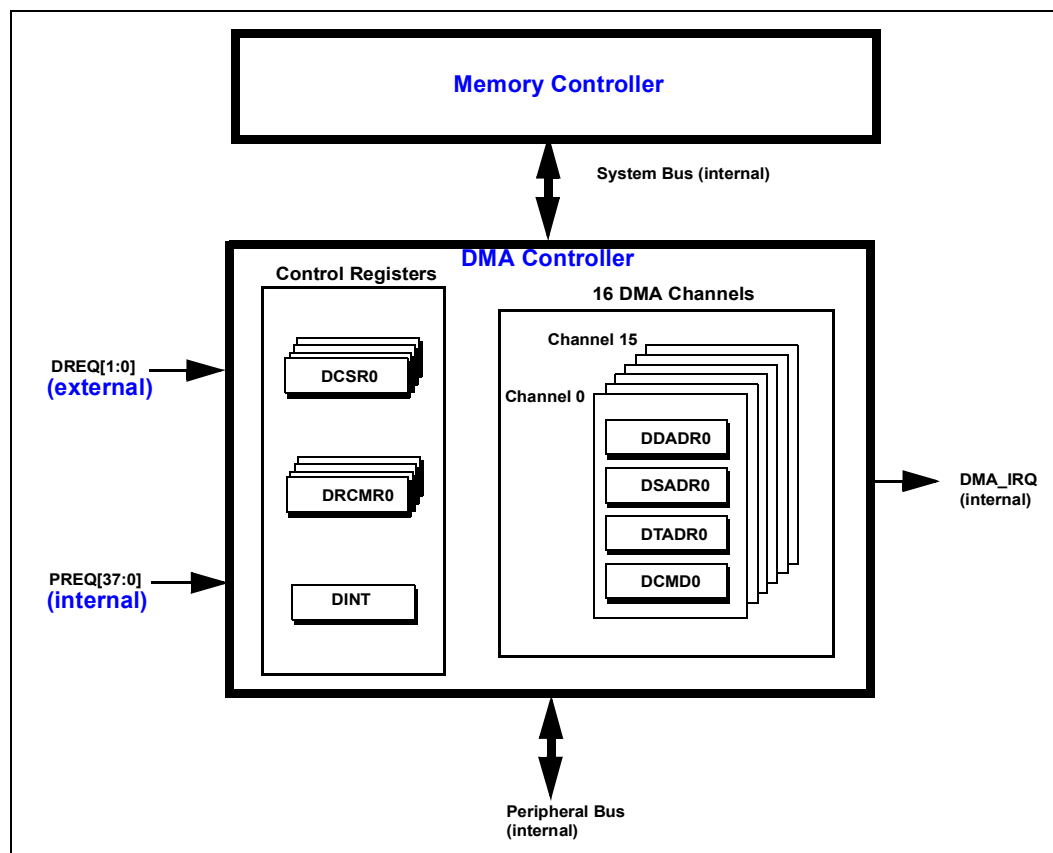
5.1 DMA Description

The DMAC supports only flow-through transfers.

Flow-through data passes through the DMAC before the data is latched by the destination in its buffers/memory. This DMAC can perform memory-to-memory moves with flow-through transfers.

Figure 5-1 provides an overview of the DMAC. Table 5-1 provides a list of the DMAC signals and descriptions.

Figure 5-1. DMAC Block Diagram



5.1.1 DMAC Channels

The DMAC has 16 channels, each controlled by four 32-bit registers. Each channel can be configured to service any internal peripheral or one of the external peripherals for flow-through transfers. Each channel is serviced in increments of the peripheral device's burst size and is delivered in the granularity appropriate to that device's port width. The burst size and port width for each device is programmed in the channel registers and is based on the device's FIFO depth and bandwidth needs. Due to performance issues, it is highly recommended that the user set the burst size equal to the FIFO DMA interrupt trigger level, also called the FIFO threshold level. When multiple channels are actively executing, the DMAC services each channel with a burst of data. After the data burst is sent, the DMAC may perform a context switch to another active channel. The DMAC performs context switches based on a channel's activity, whether its target device is currently requesting service, and where that channel lies in the priority scheme.

Channel information must be maintained on a per-channel basis and is contained in the DMAC registers see in [Table 5-13](#). The DMAC supports two methods of loading the DMAC register, No-Descriptor and Descriptor Fetch Modes. The fetch modes are discussed in further detail in [Section 5.1.4](#).

Software must ensure cache coherency when it configures the DMA channels. The DMAC does not check the cache so target and source addresses must be configured as non-cacheable in the Memory Management Unit.

Each demand for data that a peripheral generates results in a read or write to memory data. A peripheral must not request a DMA transfer unless it is prepared to read or write the full data block (8, 16, or 32 bytes) and it is equipped to handle reads and writes less than a full data block. Reads and writes less than a full data block can occur at the end of a DMA transfer.

5.1.2 Signal Descriptions

The DREQ[1:0], PREQ[37:0] and DMA_IRQ signals are controlled by the DMAC as indicated in [Table 5-1](#).

Table 5-1. DMAC Signal List

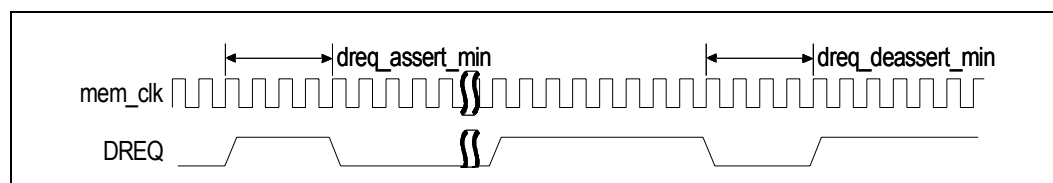
Signal	Signal Type In/Out	To/From	Definition
DREQ[1:0]	Input	Pins	External companion chip request lines. DMA detects the positive edge of this signal as a request.
DMA_IRQ	Output	Interrupt Controller	Active high signal indicating an interrupt.
PREQ[37:0]	Input	On-chip peripherals	Internal peripheral DMA request lines. On chip peripherals send requests using the PREQ signals. The DMAC does not sample the PREQ signals until it completely finishes the data transfer from peripheral to the memory.

5.1.2.1 DREQ[1:0] and PREQ[37:0] Signals

The external companion chip asserts the positive edge triggered DREQ[1:0] signals when a DMA transfer request is needed. The DREQ[1:0] signal must remain asserted for four MEMCLKs to allow the DMA to recognize the 0 to 1 transition. When the DREQ[1:0] signals are deasserted, they

must remain deasserted for at least four MEMCLKs. The DMAC registers the transition from 0 to 1 to identify a new request. The external companion chip must not assert another DREQ until the previous DMA data transfer starts.

Figure 5-2. DREQ timing requirements



The PREQ[37:0] bits are the active high internal signals from the on-chip peripherals. Unlike DREQ[1:0], they are level sensitive. The DMAC does not sample the PREQ[37:0] signals until it completely finishes the current data transfer. For a write request to the on-chip peripheral, the DMAC begins to sample the PREQ[37:0] signals after it sends the last byte of the write request. For a read request, the DMAC begins to sample the PREQ[37:0] signals after it sends the last byte that pertains to the read on the internal bus.

The DCSR[REQPEND] bit indicates the status of the pending request for the channel.

If a DREQ_x assertion sets the DCSR[REQPEND] bit and software resets the DCSR[RUN] bit to stop the channel, the DCSR[REQPEND] bit and the internal registers that hold the DREQ_x assertion information may remain set even though the channel has stopped. To reset the DCSR[REQPEND] bit, software must send a dummy descriptor that transfers some data.

5.1.2.2 DMA_IRQ Signal

The processor has 16 IRQ signals, one for each DMA channel. Each DMA IRQ can be read in the DINT register that is shown in [Table 5-6](#). The user can mask some bits that cause interrupts on a channel, such as ENDIRQEN, STARTIRQEN, and STOPIRQEN.

When DMA interrupt occurs, it is visible in Pending Interrupt Register Bit 25 (see [Section 4.2.2.5, “Interrupt Controller Pending Register \(ICPR\)”](#) on page 4-25). When a pending interrupt becomes active, it is sent to the CPU if its corresponding ICMR mask Bit 25 (see [Section 4.2.2.1, “Interrupt Controller Mask Register \(ICMR\)”](#) on page 4-22) is set to a one.

5.1.3 DMA Channel Priority Scheme

The DMA channel priority scheme allows peripherals that require high bandwidth to be serviced more often than those requiring less bandwidth. The DMA channels are internally divided into four sets. Each set contains four channels. The channels get a round-robin priority in each set. Set zero has the highest priority. Set 1 has higher priority than sets two and three. Sets two and three are low priority sets. Refer to [Table 5-2](#) for details. High bandwidth peripherals must be programmed in set zero. Memory-to-memory moves and low bandwidth peripherals must be programmed in set two or three. When all channels are running concurrently, set zero is serviced four times out of any eight consecutive channel servicing instances. Set one is serviced twice and sets two and three are each serviced once.

If two or more channels are active and request a DMA, the priority scheme in [Table 5-2](#) applies.

Request priority does not affect requests that have already started. The DMAC priority scheme is considered when the smaller dimension of the DCMD_x[SIZE] or DCMD_x[LENGTH] is complete.

If all channels request data transfers, the Sets are prioritized in following order:

- Set zero
- Set one
- Set zero
- Set two
- Set zero
- Set one
- Set zero
- Set three

The pattern repeats for the next eight channel services. In each set, the channels are given round-robin priority.

Table 5-2. Channel Priority (if all channels are running concurrently)

Set	Channels	Priority	Number of times served
0	0,1,2,3	Highest	4 / 8
1	4,5,6,7	Higher	2 / 8
2	8,9,10,11	Low	1 / 8
3	12,13,14,15	Low	1 / 8

The state machine used to determine the priority of the DMA channels is shown in Table 5-3. Use this table to determine the exact sequence the DMA controller gives to each channel when not all channels are running concurrently.

Table 5-3. Channel Priority

State Machine State	DMA Set Priority within each State Machine State
0	S0 > S1 > S2 > S3
1	S1 > S0 > S3 > S2
2	S0 > S1 > S2 > S3
3	S2 > S3 > S0 > S1
4	S0 > S1 > S2 > S3
5	S1 > S0 > S3 > S2
6	S0 > S1 > S2 > S3
7	S3 > S2 > S1 > S0

The channels get a round-robin priority in each set. Out of reset, the state machine state is zero. If a channel in set zero has a pending request, that channel is serviced. If a channel in set one has a pending request, that channel is serviced and so on. Once a request is serviced, the state machine

state is incremented, wrapping around from state machine state seven back to state machine state zero. If there is no pending request, the state machine stays in the current state machine state until there is a pending request. See [Table 5-4](#) for priority scheme examples.

Table 5-4. Priority Schemes Examples

Channels Programmed	DMA Channel Priority
ch0, ch1	0,1,0,1,0,1,0,1,etc.
ch0, ch15	0,0,0,15,0,0,0,15,etc.
ch0, ch4, ch8, ch12	0,4,0,8,0,4,0,12,etc.
ch0, ch1, ch8, ch12	0,1,0,8,0,1,0,12,etc.
ch0, ch4	0,4,0,0,0,4,0,4,etc.
ch8, ch12	8,12,8,8,8,12,8,12,etc.

5.1.4 DMA Descriptors

The DMAC operates in two distinct modes: Descriptor Fetch Mode and No-Descriptor Fetch Mode. The mode used is determined by the DCSRx[NODESCFETCH] bit.

The Descriptor Fetch and No-Descriptor modes can be used simultaneously on different channels. This means that some DMA channels can be active in one mode while other channels are active in the other mode.

A channel must be stopped before it can be switched from one mode to the other.

If an error occurs in a channel, it returns to its stopped state and remains there until software clears the error condition and writes a 1 to the DCSR[**RUN**] register.

5.1.4.1 No-Descriptor Fetch Mode

In No-Descriptor Fetch Mode, the DDADR_x is reserved. Software must not write to the DDADR_x and must load the DSADR_x, DTADR_x, and DCMD_x registers. When the Run bit is set, the DMAC immediately begins to transfer data. No-Descriptor fetches are performed at the beginning of the transfer. The channel stops when it finishes the transfer.

Ensure that the software does not program the channel's DDAD_x No-Descriptor Fetch Mode.

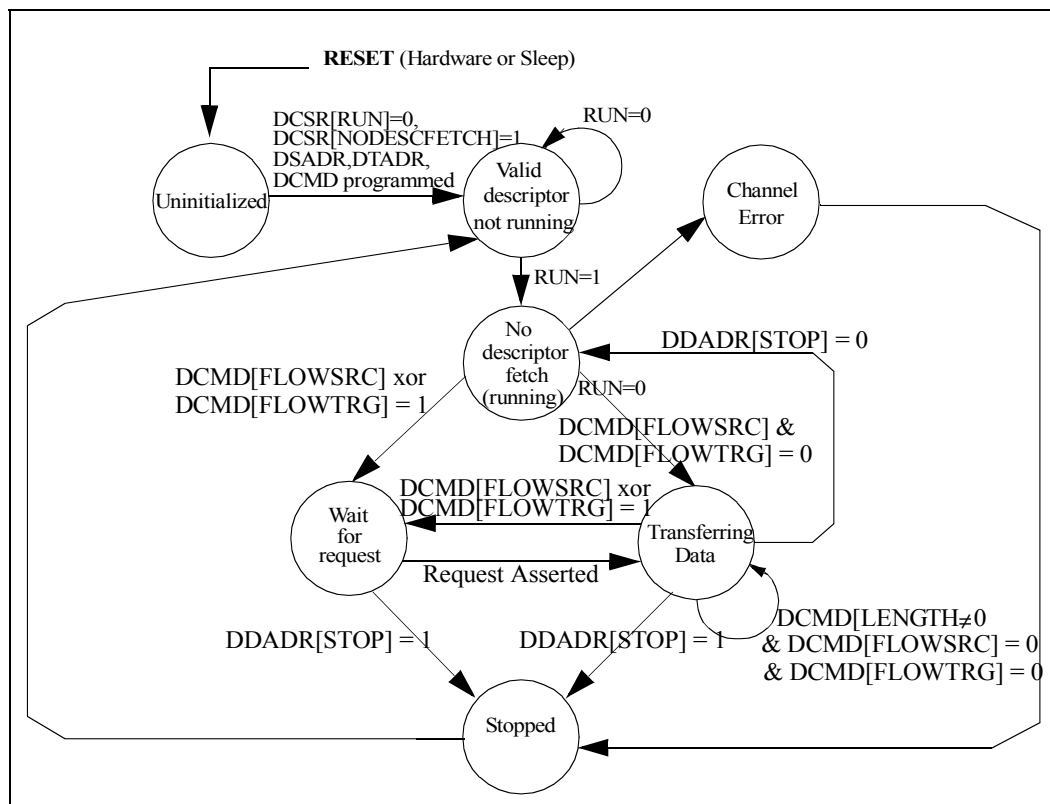
A typical No-Descriptor Fetch Mode (DCSR[NODESCFETCH] = 1) operation follows:

1. The channel is in an uninitialized state after reset.
2. The DCSR[**RUN**] bit is set to a 0 and the DCSR[NODESCFETCH] bit is set to a 1.
3. The software writes a source address to the DSADR register, a target address to the DTADR register, and a command to the DCMD register. The DDADR register is reserved in this No-Descriptor Fetch Mode and must not be written.
4. The software writes a 1 to the DCSR[**RUN**] bit and the No-Descriptor fetches are performed.
5. The channel waits for the request or starts the data transfer, as determined by the DCMD[**FLOW**] source and target bits.
6. The channel transmits a number of bytes equal to the smaller of DCMD[**SIZE**] and DCMD[**LENGTH**].

7. The channel waits for the next request or continues with the data transfer until the DCMD[LENGTH] reaches zero.
8. The DDADR[STOP] is set to a 1 and the channel stops.

Figure 5-3 summarizes typical No-Descriptor Fetch Mode operation.

Figure 5-3. No-Descriptor Fetch Mode Channel State



5.1.4.2 Descriptor Fetch Mode

In Descriptor Fetch Mode, the DMAC registers are loaded from DMA descriptors in main memory. Multiple DMA descriptors can be chained together in a list. This allows a DMA channel to transfer data to and from a number of locations that are not contiguous. The descriptor's protocol design allows descriptors to be added efficiently to the descriptor list of a running DMA stream.

A typical Descriptor Fetch Mode ($DCSR[NODESCFETCH] = 0$) operation follows:

1. The channel is in an uninitialized state after reset.
2. The software writes a descriptor address (aligned to a 16-byte boundary) to the DDADR register.
3. The software writes a 1 to the DCSR[RUN] bit.
4. The DMAC fetches the four-word descriptor (assuming that the memory is already set up with the descriptor chain) from the memory indicated by DDADR.
5. The four-word DMA descriptor, aligned on a 16-byte boundary in main memory, loads the following registers:

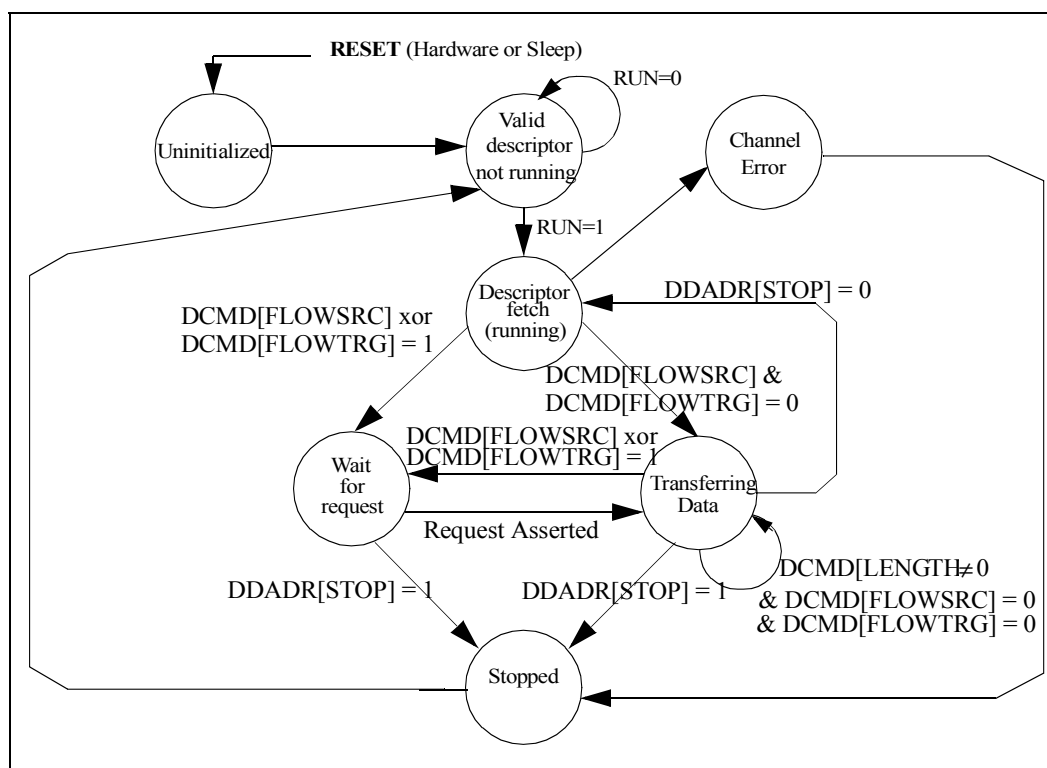
- a. Word [0] -> DDADR_x register and a single flag bit. Points to the next four-word descriptor.
 - b. Word [1] -> DSADR_x register for the current transfer.
 - c. Word [2] -> DTADR_x register for the current transfer.
 - d. Word [3] -> DCMD_x register for the current transfer.
6. The channel waits for the request or starts the data transfer, as determined by the DCMD[FLOW] source and target bits.
 7. The channel transmits a number of bytes equal to the smaller of DCMD[SIZE] and DCMD[LENGTH].
 8. The channel waits for the next request or continues with the data transfer until the DCMD[LENGTH] reaches zero.
 9. The channel stops or continues with a new descriptor fetch from the memory, as determined by the DDADR[STOP] bit.

Bit [0] (STOP) of Word [0] in a DMA descriptor (the low bit of the DDADR_x field) marks the descriptor at the end of a descriptor list. The value of the STOP bit does not affect the manner in which the channel's registers load the descriptor's fields. If a descriptor with its STOP bit set is loaded into a channel's registers, the channel stops after it completely transfers the data that pertains to that descriptor. [Figure 5-4](#) summarizes this operation.

Software must set the DCSR[RUN] bit to 1 after it loads the DDADR. The channel descriptor fetch does not take place unless the DDADR register is loaded and the DCSR[RUN] bit is set to a 1.

The DMAC priority scheme does not affect DMA descriptor fetches. The next descriptor is fetched immediately after the previous descriptor is serviced.

Figure 5-4. Descriptor Fetch Mode Channel State



5.1.4.3 Servicing an Interrupt

If software receives an interrupt caused by a successful descriptor fetch, i.e. $DCSRx[STARTINTR] = 0b1$, then software must write a 1 to this bit to reset the corresponding interrupt. Software normally accomplishes this by reading the $DCSRx$ register, modifying the data value by setting the $DCSRx[STARTINTR]=0b1$ and leaving the $DCSRx[RUN]$ bit set, and then writing this modified value back to the $DCSRx$. If the channel stops, $DCSRx[RUN] = 0b0$, before writing this value back to the $DCSRx$, then software can inadvertently set the $DCSRx[RUN]$ bit before properly configuring other DMA registers. In order to avoid this problem, after writing the modified value back to the $DCSRx$, software must read the $DCSRx$ and check to see if $DCSRx[RUN]$ and $DCSRx[STOPSTATE]$ are both set. If they are, then software must clear the $DCSRx[RUN]$ bit and re-initialize the DMA channel.

5.1.5 Channel States

A DMA channel can go through any of the following states:

- Uninitialized: Channel is in an uninitialized state after reset.
- Valid Descriptor, Not Running: Software has loaded a descriptor in the $DDADR$ of the channel, in the Descriptor Fetch Mode, or has programmed $DSADR$, $DTADR$ and $DCMD$ values, in No-Descriptor Fetch Mode, but the corresponding run bit in the $DCSRx[RUN]$ register is not set to a 1.
- Descriptor Fetch, Running: Fetching four words of descriptors from the memory.

- Wait for Request: Channel is waiting for a request before it starts to transfer the data.
- Transfer Data: Channel is transferring data.
- Channel Error: Channel has an error. It remains in the stopped state until software clears the error condition, re-initializes the channel, and writes a 1 to the DCSR[RUN] bit. See [Section 5.3.1](#) and [Section 5.3.2](#) for details.
- Stopped: Channel is stopped.

[Figure 5-3](#) and [Figure 5-4](#) show the progression from state to state.

5.1.6 Read and Write Order

The DMAC does not ensure the order of programmed I/O reads and writes made from the processor to the I/O devices (including the on-chip I/O devices). Software must ensure the order.

The DMAC ensures that all memory references made by a single DMA data stream are presented to main memory in the order in which they were made. The descriptor fetches occurs between the data blocks. This allows self-modifying DMA descriptor chains to function correctly (see [Example 4 on page 5-27](#)). It also allows schemes in which a DMA stream writes data blocks followed by status blocks and schemes in which another DMA stream (probably from the processor) polls the same field in the status block.

The DMAC ensures that data is not retained in per-channel buffers between descriptors. When a descriptor is completely processed, any read data that is buffered in the channel is discarded and any write data that is buffered in the channel is sent to memory (although it may not be there yet). The DMA interrupt is not posted until the descriptor is completely processed.

5.1.7 Byte Transfer Order

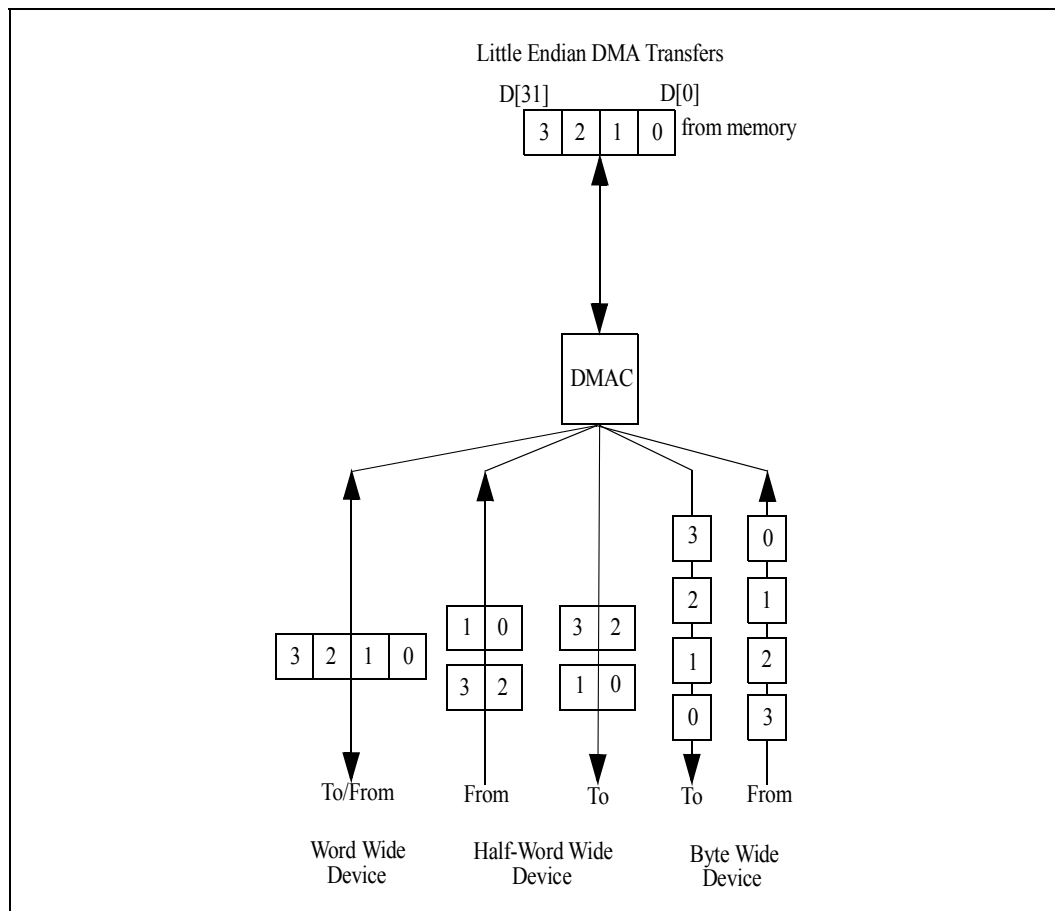
The DCMD[ENDIAN] bit indicates the byte ordering in a word when data is read from or written to memory. Refer to [Figure 5-5](#) for details. The DCMD[ENDIAN] bit must be set to 0, which is little endian transfers.

[Figure 5-5](#) shows the order which data is transferred as determined by the DCMD[ENDIAN] and DCMD[SIZE] bits.

If data is being transferred from an internal device to memory, DCMD[ENDIAN] is set to a 0, and DCMD[SIZE] is set to a 1, the memory receives the data in the following order:

1. Byte[0]
2. Byte[1]
3. Byte[2]
4. Byte[3]

Figure 5-5. Little Endian Transfers



5.1.8 Trailing Bytes

The DMA normally transfers bytes equal to the transaction size specified by DCMD[SIZE]. As the descriptor nears the end its data, the number of trailing bytes in the DCMD[LENGTH] field may be smaller than the transfer size. The DMA can transfer the exact number of trailing bytes if the DCMD[FLWSRC] and DCMD[FLOWTRG] bits are both 0 or if it receives a corresponding request from a peripheral or companion chip.

Trailing bytes must be considered in the following cases:

- **Memory-to-Memory Moves:** The DMA transfers a number bytes equal to the smaller of DCMD[LENGTH] or DCMD[SIZE].
- **Companion-Chip Related Transfers:** The companion-chip must assert the request if the DMAC must handle the trailing bytes. If the request is asserted, the DMA transfers a number of bytes equal to the smaller of DCMD[LENGTH] or DCMD[SIZE].
- **Memory to Internal Peripheral Transfers:** Most peripherals send a request for trailing bytes during memory to internal peripheral transfers. Refer to the appropriate section in this document for details of a peripheral's operation. The DMA transfers bytes equal to the smaller of DCMD[LENGTH] or DCMD[SIZE].

- Internal Peripheral to Memory Transfers: Most peripherals do not send a request for trailing bytes for on-chip peripheral to memory transfers. Refer to the appropriate section in this document for details of a peripheral's operation. If the peripheral sends out a request, the DMA transfers the number of bytes equal to the smaller of DCMD[LENGTH] or DCMD[SIZE]. If software must us programmed I/O to handle the trailing bytes, it must follow this sequence of operation:
 1. Writing a 0 to the DCSR[RUN] bit to stop the DMA channel.
 2. Wait until the channel to stops.
 3. Make reads to the channel's registers to check the channel's status.
 4. Perform the programmed I/O transfers to the peripheral.
 5. Set the DCSR[RUN] bit to a 1 and reset the DMA channel for future data transfers.

5.2 Transferring Data

The internal peripherals are connected to the DMAC via the peripheral bus and use flow-through data transfers. The DMAC can also transfer data to and from any memory location with memory-to-memory moves in flow-through transfer mode. External devices, such as companion chips, that are directly connected to the external data pins must use flow-through data transfers.

Main memory includes any memory that the processor supports, except writes to flash. Writes to flash are not supported and cause a bus error.

In flow-through transfer mode, data passes through the DMAC before it is latched by the destination in its buffers/memory. The DMAC can also perform memory-to-memory moves in flow-through transfer mode.

5.2.1 Servicing Internal Peripherals

The DMAC provides the DMA Request to Channel Map Registers (DRCMR_x) that contain four bits used to assign a channel number for each possible DMA request. An internal peripheral can be mapped to any of the 16 available channels. See [Table 5-5](#) to configure the internal peripherals for DMA accesses. Internal peripherals assert the request bit through the peripheral request bus (PREQ). The signals from the PREQ are sampled on every peripheral clock (PCLK) and if any of the PREQ signals are not zeroes, a lookup is performed on the corresponding bits of the DRCMR_x. This allows the request to be mapped to one of the channels.

If the internal peripheral address is in the DSADR, the DCMD_x[FLOWSRC] bit must be set to a 1. This allows the processor to wait for the request before it initiates the transfer. If the internal peripheral address is in the DTADR, the DCMD_x[FLOWTRG] bit must be set to a 1.

If DCMD_x[IRQEN] is set to a 1, a DMA interrupt is requested at the end of the last cycle associated with the byte that caused DCMD_x[LENGTH] to decrement to 0.

5.2.1.1 Using Flow-Through DMA Read Cycles to Service Internal Peripherals

A flow-through DMA read for an internal peripheral begins when the internal peripheral sends a request, via the PREQ bus, to a DMAC channel that is running and configured for a flow-through read. The number of bytes to be transferred is specified with DCMDx[SIZE]. When the request is the highest priority request, the following process begins:

1. The DMAC sends the memory controller a request to read the number of bytes addressed by DSADRx[31:0] into a 32-byte staging buffer in the DMAC.
2. The DMAC transfers the data to the I/O device addressed in DTADRx[31:0]. DCMD[WIDTH] specifies the width of the internal peripheral to which the data is transferred.
3. At the end of the transfer, DSADRx is increased by the smaller value of DCMDx[LENGTH] and DCMD[SIZE]. DCMDx[LENGTH] is decreased by the same value.

For a flow-through DMA read to an internal peripheral, use the following settings for the DMAC register bits:

- DSADR[SrcADDR] = external memory address
- DTADR[TRGADDR] = internal peripheral's address
- DCMD[INCSrcADDR] = 1
- DCMD[FlowSRC] = 0
- DCMD[FlowTRG] = 1

5.2.1.2 Using Flow-Through DMA Write Cycles to Service Internal Peripherals

A flow-through DMA write for an internal peripheral begins when the internal peripheral sends a request, via the PREQ bus, to a DMAC channel that is running and configured for a flow-through write. The number of bytes to be transferred are specified with DCMDx[SIZE]. When the request is the highest priority request, the following process begins:

1. The DMAC transfers the required number of bytes from the I/O device addressed by DSADRx[31:0] to the DMAC write buffer.
2. The DMAC transfers the data to the memory controller via the internal bus. DCMD[WIDTH] specifies the width of the internal peripheral to which the transfer is being made.
3. At the end of the transfer, DTADRx is increased by the smaller value of DCMDx[LENGTH] and DCMD[SIZE]. DCMDx[LENGTH] is decreased by the same number.

For a flow-through DMA write to an internal peripheral, use the following settings for the DMAC register bits:

- DSADR[SrcADDR] = internal peripheral address
- DTADR[TRGADDR] = external memory address
- DCMD[INCTRGADDR] = 1
- DCMD[FlowSRC] = 1
- DCMD[FlowTRG] = 0

5.2.2 Quick Reference for DMA Programming

Use [Table 5-5](#) as a quick reference sheet for programming the DMA.

Table 5-5. DMA Quick Reference for Internal Peripherals (Sheet 1 of 2)

Unit	Function	FIFO Address	Width (bytes)	DCMD. Width (binary)	Burst Size (bytes)	Source or Target	DRCMR
I2S	receive	0x4040_0080	4	11	8, 16, 32	Source	0x4000_0108
	transmit	0x4040_0080	4	11	8, 16, 32	Target	0x4000_010c
BTUART	receive	0x4020_0000	1	01	8, 16, 32	Source	0x4000_0110
	transmit	0x4020_0000	1	01	8, 16, 32 or trailing	Target	0x4000_0114
FFUART	receive	0x4010_0000	1	01	8, 16, 32	Source	0x4000_0118
	transmit	0x4010_0000	1	01	8, 16, 32 or trailing	Target	0x4000_011c
AC97	microphone	0x4050_0060	4	11	8, 16, 32	Source	0x4000_0120
	modem receive	0x4050_0140	4	11	8, 16, 32	Source	0x4000_0124
	modem transmit	0x4050_0140	4	11	8, 16, 32	Target	0x4000_0128
	audio receive	0x4050_0040	4	11	8, 16, 32	Source	0x4000_012c
	audio transmit	0x4050_0040	4	11	8, 16, 32	Target	0x4000_0130
SSP	receive	0x4100_0010	2	10	8, 16	Source	0x4000_0134
	transmit	0x4100_0010	2	10	8, 16	Target	0x4000_0138
FICP	receive	0x4080_000C	1	01	8, 16, 32	Source	0x4000_0144
	transmit	0x4080_000C	1	01	8, 16, 32 or trailing	Target	0x4000_0148
STUART	receive	0x4070_0000	1	01	8, 16, 32	Source	0x4000_014c
	transmit	0x4070_0000	1	01	8, 16, 32, or trailing	Target	0x4000_0150
MMC	receive	0x4110_0040	1	01	32 or trailing	Source	0x4000_0154
	transmit	0x4110_0044	1	01	32 or trailing	Target	0x4000_0158

Table 5-5. DMA Quick Reference for Internal Peripherals (Sheet 2 of 2)

Unit	Function	FIFO Address	Width (bytes)	DCMD. Width (binary)	Burst Size (bytes)	Source or Target	DRCMR
USB	endpoint 1 transmit	0x4060_0100	1	01	32	Target	0x4000_0164
	endpoint 2 receive	0x4060_0180	1	01	32	Source	0x4000_0168
	endpoint 3 transmit	0x4060_0200	1	01	32	Target	0x4000_016C
	endpoint 4 receive	0x4060_0400	1	01	32	Source	0x4000_0170
	endpoint 6 transmit	0x4060_0600	1	01	32	Target	0x4000_0178
	endpoint 7 receive	0x4060_0680	1	01	32	Source	0x4000_017C
	endpoint 8 transmit	0x4060_0700	1	01	32	Target	0x4000_0180
	endpoint 9 receive	0x4060_0900	1	01	32	Source	0x4000_0184
	endpoint 11 transmit	0x4060_0B00	1	01	32	Target	0x4000_018C
	endpoint 12 receive	0x4060_0B80	1	01	32	Source	0x4000_0190
	endpoint 13 transmit	0x4060_0C00	1	01	32	Target	0x4000_0194
	endpoint 14 receive	0x4060_0E00	1	01	32	Source	0x4000_0198

5.2.3 Servicing Companion Chips and External Peripherals

Companion chips and external peripherals can be serviced with flow-through transfers. The DMAC provides DMA Request to Channel Map Registers (DRCMRx) that contain four bits that assign a channel number for each of the possible DMA requests. The companion-chip requests are DREQ[1:0]. The DREQ signal can be mapped to one of the 16 available channels. The DREQ signals are sampled on every peripheral clock (PCLK) and if any of the DREQ signals are sampled non-zero, a lookup is performed on the corresponding bits in the DRCMRx. This allows requests to one of the channels to be mapped. If the external peripheral address is in the DSADR, the DCMDx[FLWSRC] bit must be set to a 1. If the external peripheral address is in the DTADR, the DCMDx[FLOWTRG] bit must be set to a 1. This allows the processor to wait for the request before it initiates the transfer.

If DCMDx[IRQEN] is set to a 1, a DMA interrupt can be requested at the end of the last cycle associated with the byte that caused DCMDx[LENGTH] to decrease from a 1 to a 0.

5.2.3.1 Using Flow-Through DMA Read Cycles to Service External Peripherals

A flow-through DMA read for an external peripheral begins when the external peripheral sends a request, via the DREQ[1:0] bus, to a DMAC channel that is running and configured for a flow-through read. DCMDx[SIZE] specifies the number of bytes to be transferred. When the request is the highest priority request, the follow process begins.

1. The DMAC sends a request to the memory controller to read the number of bytes addressed by DSADR_x[31:0] into a 32-byte staging buffer in the DMAC.
2. The DMAC transfers the data in the buffer to the external device addressed in DTADR_x[31:0].
3. At the end of the transfer, DSADR_x is increased by the smaller value of DCMDx[LENGTH] and DCMDx[SIZE]. DCMDx[LENGTH] is decreased by the same value.

Note: The process shown for a flow-through DMA read to an external peripheral indicates that the external address increases. Some external peripherals, such as FIFOs, do not require an increment in the external address.

For a flow-through DMA read to an external peripheral, use the following settings for the DMAC register bits:

- DSADR[SRCAADDR] = external memory address
- DTADR[TRGADDR] = companion chip's address
- DCMD[INCSRCAADDR] = 1
- DCMD[INCTRGADDR] = 0
- DCMD[FLWSRC] = 0
- DCMD[FLOWTRG] = 1

5.2.3.2 Using Flow-Through DMA Write Cycles to Service External Peripherals

A flow-through DMA write to an external peripheral begins when the external peripheral sends a request, via the DREQ bus, to a DMAC channel that is running and configured for a flow-through write. DCMDx[SIZE] specifies the number of bytes to be transferred. When the request is the highest priority request, the following process begins:

1. The DMAC transfers the required number of bytes from the I/O device addressed by DSADR_x[31:0] to the DMAC write buffer.
2. The DMAC transfers the data to the memory controller via the internal bus.
3. At the end of the transfer, DTADR_x is increased by the smaller value of DCMDx[LENGTH] and DCMDx[SIZE]. DCMDx[LENGTH] is decreased by the same number.

Note: The process shown for a flow-through DMA write to an external peripheral indicates that the external address increases. Some external peripherals, such as FIFOs, do not require an increment in the external address.

For a flow-through DMA write to an external peripheral, use the following settings for the DMAC register bits:

- DSADR[SRCAADDR] = companion chip address
- DTADR[TRGADDR] = external memory address.
- DCMD[INCSRCADDR] = 0
- DCMD[INCTRGADDR] = 1
- DCMD[FLWSRC] = 1
- DCMD[FLOWTRG] = 0

5.2.4 Memory-to-Memory Moves

Memory-to-memory moves do not involve the DREQ and PREQ request signals. The processor writes to the DCSR[RUN] bit and a channel is configured for a memory-to-memory move. The DCMDx[FLWSRC] and the DCMD[FLOWTRG] bits must be set to 0.

If DCMD[IRQEN] is set to a 1, a DMA interrupt is requested at the end of the last cycle associated with the byte that caused DCMDx[LENGTH] to decrease from 1 to 0.

A flow-through DMA memory-to-memory read or write goes through these steps:

1. The processor writes to the DCSR[RUN] register bit and starts the memory-to-memory moves.
2. If the processor is in the Descriptor Fetch Mode, the channel configured for the move fetches the four-word descriptor. The channel transfers data without waiting for PREQ or DREQ to be asserted. The smaller value of DCMDx[SIZE] or DCMDx[LENGTH] specifies the number of bytes to be transferred.
3. The DMAC sends a request to the memory controller to read the number of bytes addressed by DSADRx[31:0] into a 32-byte staging buffer in the DMAC.
4. The DMAC generates a write cycle to the location addressed in DTADRx[31:0].
5. At the end of the transfer, DSADRx and DTADRx are increased by the smaller value of DCMD[SIZE] and DCMDx[LENGTH]. If DCMD[SIZE] is smaller than DCMDx[LENGTH], DCMDx[LENGTH] is decreased by DCMD[SIZE]. If DCMD[SIZE] is equal to or larger than DCMDx[LENGTH], DCMDx[LENGTH] is zero.

Note: The process shown for a memory-to-memory transfer indicates that the external address increases. Some external peripherals, such as FIFOs, do not require an increment in the external address.

For a memory-to-memory read or write, use these settings for the DMAC registers:

- DSADR[SRCAADDR] = external memory address
- DTADR[TRGADDR] = external memory address
- DCMD[INCSRCADDR] = 1
- DCMD[INCTRGADDR] = 1
- DCMD[FLWSRC] = 0
- DCMD[FLOWTRG] = 0
- DCSR[RUN] = 1

5.3 DMAC Registers

The section describes the DMAC registers.

5.3.1 DMA Interrupt Register (DINT)

The DINT, shown in Table 5-6, logs the interrupts for each channel.

An interrupt is generated if any of these events occur:

- Any kind of transaction error on the internal bus that is associated with the relevant channel.
- The current transfer finishes successfully and the DCMD[ENDIRQEN] bit is set.
- The current descriptor loads successfully and the DCMD[STARTIRQEN] bit is set.
- The DCSR:STOPIRQEN is set to a 1 and the relevant channel is in the uninitialized or stopped state.

Software must set the corresponding DCSR register error bit to reset the interrupt.

This is a read/write register. Ignore reads from reserved bits. Write zeros to reserved bits.

Table 5-6. DINT Bit Definitions

	Physical Address 0x4000_00F0	DMA Interrupt Register (DINT)															DMA Controller																			
Bit	31	30	29	28	27	26	25	24	23	22	21	20	19	18	17	16	15	14	13	12	11	10	9	8	7	6	5	4	3	2	1	0				
	reserved																ChIntr15	ChIntr14	ChIntr13	ChIntr12	ChIntr11	ChIntr10	ChIntr9	ChIntr8	ChIntr7	ChIntr6	ChIntr5	ChIntr4	ChIntr3	ChIntr2	ChIntr1	ChIntr0				
Reset	0	0	0	0	0	0	0	0	0	0	0	0	0	0	0	0	0	0	0	0	0	0	0	0	0	0	0	0	0	0	0	0				
	Bits	Name	Description																																	
	31:16	—	reserved																																	
	15:0	CHLINTRx	Channel 'x' Interrupt (read-only). 0 – No interrupt 1 – Interrupt																																	

5.3.2 DMA Channel Control/Status Register (DCSRx)

The DCSRx, shown in Table 5-7 contains the control and status bit for each channel. Read this register to find the source of an interrupt. Write the read value back to the register to clear the interrupt.

This is a read/write register. Ignore reads from reserved bits. Write zeros to reserved bits.

Table 5-7. DCSRx Bit Definitions (Sheet 1 of 2)

Physical Address 0x4000_0000 - 0x4000_003C		DMA Channel Control/Status Register (DCSRx)																DMA Controller														
Bit	31	30	29	28	27	26	25	24	23	22	21	20	19	18	17	16	15	14	13	12	11	10	9	8	7	6	5	4	3	2	1	0
	RUN	NODESCFETCH	STOPIRQEN	reserved																REQPEND	reserved				STOPSTATE	ENDINTR	STARTINTR	BUSERRINTR				
Reset	0	0	0	0	0	0	0	0	0	0	0	0	0	0	0	0	0	0	0	0	0	0	0	0	0	0	0	0	1	0	0	0
Bits	Name	Description																														
31	RUN	Run Bit (read / write). 0 – stops the channel 1 – starts the channel Lets software start or stop the channel. If the run bit is cleared in the middle of the burst, the burst will complete before the channel is stopped. Software must write to DDADR _x before it sets this bit for Descriptor Fetch Mode. After the channel stops, the DCSR[STOPSTATE] bit is set to 1. Software must poll the DCSR[STOPSTATE] bit to determine the channel's status or set the STOPIRQEN to force an interrupt after the channel stops. Software must write a 1 to the bit to restart a stopped channel. After clearing the run bit to stop the channel, an end interrupt is not guaranteed to happen if the length bits, DCMD _x [LENGTH], is zero. Software must determine if the transfer is done after clearing the run bit.																														
30	NODESCFETCH	No-Descriptor Fetch (read / write). 0 – Descriptor Fetch Mode 1 – No-Descriptor Fetch Mode Determines if the channel has a descriptor. If this bit is set to a 0, the channel is in Descriptor Fetch Mode. See Section 5.1.4.2 for information on the DMAC registers. If this bit is set to a 1, the channel is in No-Descriptor Fetch Mode. See Section 5.1.4.1 for information on the DMAC registers.																														
29	STOPIRQEN	Stop Interrupt Enable (read / write). 0 – no interrupt if the channel is in uninitialized or stopped state 1 – enables an interrupt if the channel is in uninitialized or stopped state Allows an interrupt to pass to the interrupt controller if the DCSR[STOPSTATE] bit is 1. If the DCSR[STOPINTEN] bit is 0, the interrupt is not generated after the channel stops. If software writes a 1 to this bit before the channel starts, an interrupt is generated.																														
28:9	—	reserved																														
8	REQPEND	Request Pending (read-only). 0 – no pending request 1 – the channel has a pending request Indicates that the DMA channel has a pending request.																														
7:4	—	reserved																														

Table 5-7. DCSRx Bit Definitions (Sheet 2 of 2)

Physical Address 0x4000_0000 - 0x4000_003C		DMA Channel Control/Status Register (DCSRx)										DMA Controller																				
Bit	31	30	29	28	27	26	25	24	23	22	21	20	19	18	17	16	15	14	13	12	11	10	9	8	7	6	5	4	3	2	1	0
	RUN	NODESCFETCH	STOPIRQEN	reserved										REQPEND	reserved			STOPSTATE	ENDINTR	STARTINTR	BUSERRINTR											
Reset	0	0	0	0	0	0	0	0	0	0	0	0	0	0	0	0	0	0	0	0	0	0	0	0	0	0	0	0	1	0	0	0
Bits	Name	Description																														
3	STOPSTATE	<p>Stop State (read-only).</p> <p>0 – channel is running 1 – channel is in uninitialized or stopped state.</p> <p>If the channel is in the uninitialized or stopped state, this status bit is set. If the DCSR[STOPIRQEN] is set to 1, the DMAC generates an interrupt. Channel States are described in Section 5.1.5.</p> <p>Software must reprogram the DDADR_x and write a 1 to the DCSR[RUN] bit to restart the channel and clear this bit.</p> <p>Software must write a 0 to the DCSR[STOPIRQEN] bit to reset the interrupt</p>																														
2	ENDINTR	<p>End Interrupt (read / write).</p> <p>0 – no interrupt 1 – interrupt caused because the current transaction was successfully completed and DCMD[LENGTH] = 0.</p> <p>DCMD[ENDIRQEN] bit must be set for an interrupt to occur. Software must write a 1 to this bit to reset the corresponding interrupt. Writing a 0 to this bit has no effect.</p>																														
1	STARTINTR	<p>Start Interrupt (read / write).</p> <p>0 – no interrupt 1 – interrupt caused due to successful descriptor fetch</p> <p>DCMD[STARTIRQEN] bit must be set for an interrupt to occur. Software must write a 1 to this bit to reset the corresponding interrupt. Writing a 0 to this bit has no effect.</p>																														
0	BUSERRINTR	<p>Bus Error Interrupt (read / write).</p> <p>0 – no interrupt 1 – bus error caused interrupt</p> <p>Indicates that there was an error while transferring data. An error during data transfer occurs when the channel has a bad descriptor, source, or target address. An address is considered bad when it points to a non-busable location or reserved space. Software must write a 1 to this bit to reset the corresponding interrupt. Writing a 0 to this bit has no effect. Only one error incidence per channel is logged. The channel that caused the error is updated at the end of the transfer and is accessible after it logs an error until it is reprogrammed and the corresponding run bit is set.</p>																														

5.3.3 DMA Request to Channel Map Registers (DRCMRx)

DRCMRx, shown in Table 5-8, map each DMA request to a channel. Refer to Table 5-13 for details.

This is a read/write register. Ignore reads from reserved bits. Write zeros to reserved bits.

Table 5-8. DRCMRx Bit Definitions

Physical Address 0x4000_0100 - 0x4000_019C		DMA Request to Channel Map Register (DRCMRx)										DMA Controller																					
Bit	31	30	29	28	27	26	25	24	23	22	21	20	19	18	17	16	15	14	13	12	11	10	9	8	7	6	5	4	3	2	1	0	
	reserved																							MAPVLD	reserved			CHLNUM					
Reset	0	0	0	0	0	0	0	0	0	0	0	0	0	0	0	0	0	0	0	0	0	0	0	0	0	0	0	0	0	0	0	0	0
Bits	Name	Description																															
31:8	—	reserved																															
7	MAPVLD	Map Valid (read / write). 0 – Request is unmapped 1 – Request is mapped to a channel indicated by DRCMRx[3:0] Determines whether the request is mapped to a channel or not. If the bit is set to a 1, the request is mapped to a channel indicated in DRCMRx[3:0]. If the bit is 0, the request is unmapped. This bit can also be used to mask the request.																															
6:4	—	reserved																															
3:0	CHLNUM	Channel Number (read / write). Indicates the channel number if DRCMR[MAPVLD] is set to a 1. Do not map two active requests to the same channel. It produces unpredictable results. Refer to Section 5.1.3 to review the channel priority scheme.																															

5.3.4 DMA Descriptor Address Registers (DDADRx)

The DDADR_x (see Table 5-9) contain the memory address of the next descriptor for a specific channel. On power up, the bits in this register are undefined. The address must be aligned to a 16-byte boundary. This means that bits [3:1] of the address are reserved and must be read and written as zeroes. DDADR must not contain the address of any other internal peripheral register or DMA register.

DDADR is reserved if the channel is No-Descriptor Fetch Mode.

Table 5-9. DDADR_x Bit Definitions

		DMA Descriptor Address Register (DDADR _x)																DMA Controller															
		0x4000_02x0																															
Bit		31	30	29	28	27	26	25	24	23	22	21	20	19	18	17	16	15	14	13	12	11	10	9	8	7	6	5	4	3	2	1	0
		DESCRIPTOR ADDRESS																										reserved	STOP				
Reset		Uninitialized																										0					
Bits	Name	Description																															
31:4	DESCRIPTOR ADDRESS	Address of next descriptor (read / write).																															
3:1	—	reserved																															
0	STOP	Stop (read / write). 0 – Run channel. 1 – Stop channel after completely processing this descriptor and before fetching the next descriptor, i.e., DCMD[LENGTH]= 0. If this bit is set, the channel to stops after it completely processes the descriptor and before it fetches the next descriptor. If the DDADR _x [STOP] bit is 0, a new descriptor fetch based on the DDADR starts when the current descriptor is completely processed.																															

5.3.5 DMA Source Address Registers

DSADR_x, shown in Table 5-10, are read only in the Descriptor Fetch Mode and are read/write in the No-Descriptor Fetch Mode.

DSADR_x contains the Source Address for the current descriptor of a specific channel. The Source Address is the address of the internal peripheral or a memory location. On power up, the bits in this register are undefined. If the Source Address is the address of a companion chip or external peripheral, the source address must be aligned to an 8-byte boundary. This allows bits [2:0] of the address to be reserved. If the source address is the address for an internal peripheral, the address must be 32-bit aligned, so bits [1:0] are reserved. DSADR cannot contain the address of any other internal DMA, LCD, or MEMC registers.

This is a read/write register. Ignore reads from reserved bits. Write zeros to reserved bits.

Table 5-10. DSADR_x Bit Definitions

		0x4000_02x4																DMA Source Addr Register (DSADR _x)																DMA Controller															
Bit		31	30	29	28	27	26	25	24	23	22	21	20	19	18	17	16	15	14	13	12	11	10	9	8	7	6	5	4	3	2	1	0																
		SOURCE ADDRESS																																reserved															
Reset		Uninitialized																																															
		Bits	Name	Description																																													
		31:3	SRCADDR	Source Address (read / write). Address of the internal peripheral or address of a memory location. Address of a memory location for companion -chip transfer																																													
		2	SRCADDR	Source Address Bit 2 Reserved if DSADR.SrcAddr is an external memory location Not reserved if DSADR.SrcAddr is an internal peripheral (read / write).																																													
		1:0	—	reserved																																													

5.3.6 DMA Target Address Registers (DTADR_x)

To software, DTADR_x (Table 5-11) is read only in the Descriptor Fetch Mode and is read/write in the No-Descriptor Fetch Mode.

These registers contain the target address for the current descriptor in a channel. The target address is the address of an internal peripheral or a memory location. On power up, the bits in this register are undefined. If the target address is the address of a companion chip or external peripheral, the target address must be aligned to an 8-byte boundary. This allows bits [2:0] of the address to be reserved. If the target address is the address for an internal peripheral, the address must be 32-bit aligned so that bits [1:0] are reserved. DTADR_x must not contain the address of any other internal DMA, LCD, or MEMC register.

The DTADR_x must not contain a flash address because writes to flash from the DMAC are not supported.

This is a read/write register. Ignore reads from reserved bits. Write zeros to reserved bits.

Table 5-11. DTADR_x Bit Definitions

0x4000_02x8		DMA Target Addr Register (DTADR _x)																DMA Controller														
Bit	31	30	29	28	27	26	25	24	23	22	21	20	19	18	17	16	15	14	13	12	11	10	9	8	7	6	5	4	3	2	1	0
	TARGET ADDRESS																															reserved
Reset	Uninitialized																															
Bits	Name		Description																													
31:3	TRGADDR		Target Address (read / write): Address of the on chip peripheral or the address of a memory location Address of a memory location for companion chip transfer																													
2	TRGADDR		Target Address Bit 2 Reserved if DTADR.TrgAddr is an external memory location Not reserved if DTADR.trgAddr is an internal peripheral (read / write).																													
1:0	—		reserved																													

5.3.7 DMA Command Registers (DCMD_x)

For software, DCMD_x (Table 5-12) is read only in Descriptor Fetch Mode and is read/write in No-Descriptor Fetch Mode.

These registers contain the channel’s control bits and the length of the current transfer in that channel. On power up, the bits in this register are set to 0.

This is a read/write register. Ignore reads from reserved bits. Write zeros to reserved bits.

Table 5-12. DCMDx Bit Definitions (Sheet 1 of 2)

		0x4000_02xC												DMA Command Register (DCMDx)												DMA Controller											
Bit		31	30	29	28	27	26	25	24	23	22	21	20	19	18	17	16	15	14	13	12	11	10	9	8	7	6	5	4	3	2	1	0				
		INCSRCADDR	INCTRGADDR	FLWSRC	FLOWTRG	reserved						STARTIRQEN	ENDIRQEN	reserved	ENDIAN	SIZE	WIDTH	reserved	LENGTH																		
Reset		0	0	0	0	0	0	0	0	0	0	0	0	0	0	0	0	0	0	0	0	0	0	0	0	0	0	0	0	0	0	0	0				
Bits	Name	Description																																			
31	INCSRCADDR	Source Address Increment Setting. (read / write). 0 – Do not increment Source Address 1 – Increment Source Address at the end of each internal bus transaction initiation by DCMD[SIZE] If the source address is an internal peripheral's FIFO address or external IO address, the address is not incremented on each successive access. In this case, this bit must be 0.																																			
30	INCTRGADDR	Target Address Increment Setting. (read / write). 0 – Do not increment Target Address 1 – Increment Target Address at the end of each internal bus transaction initiated by DCMD[SIZE] If the target address is an internal peripheral's FIFO address or external IO address, the address is incremented on each successive access. In this cases the bit must be 0.																																			
29	FLWSRC	Flow Control by the source. (read / write). 0 – Start the data transfer immediately. 1 – Wait for a request signal before initiating the data transfer. Indicates the flow control of the source. This bit must be '1' if the source is an onchip or external peripheral. If either the DCMD[FLWSRC] or DCMD[FLOWTRG] bit is set, the current DMA does not initiate a transfer until it receives a request. Do not set both the DCMD[FLOWTRG] and DCMD[FLWSRC] bit to 1.																																			
28	FLOWTRG	Flow Control by the target. (read / write). 0 – Start the data transfer immediately. 1 – Wait for a request signal before initiating the data transfer. Indicates the Flow Control of the target. This bit must be '1' if the target is an onchip or external peripheral. If either the DCMD[FLWSRC] or DCMD[FLOWTRG] bit is set, the current DMA does not initiate a transfer until it receives a request. Do not set both the DCMD[FLOWTRG] and DCMD[FLWSRC] bit to 1.																																			
27:23	—	reserved																																			
22	STARTIRQEN	Start Interrupt Enable (read / write), Reserved for the No-Descriptor Fetch Mode 0 – no interrupt is generated. 1 – Allow interrupt to pass when the descriptor (i.e., 4 words) for the channel are loaded. Sets DCSR[StartIntr] interrupt for the channel when this descriptor is loaded.																																			
21	ENDIRQEN	End Interrupt Enable (read / write). 0 – no interrupt is generated. 1 – set DCSR[EndIntr] interrupt for the channel when DCMD[LENGTH] is decreased to zero. Indicates that the interrupt is enabled as soon as the data transfer is completed.																																			
20:19	—	reserved																																			

Table 5-12. DCMDx Bit Definitions (Sheet 2 of 2)

0x4000_02xC				DMA Command Register (DCMDx)								DMA Controller																				
Bit	31	30	29	28	27	26	25	24	23	22	21	20	19	18	17	16	15	14	13	12	11	10	9	8	7	6	5	4	3	2	1	0
	INCRADDR	INCRADDR	FLOWSRC	FLOWTRG	reserved				STARTIRQEN	ENDIRQEN	reserved	ENDIAN	SIZE	WIDTH	reserved	LENGTH																
Reset	0	0	0	0	0	0	0	0	0	0	0	0	0	0	0	0	0	0	0	0	0	0	0	0	0	0	0	0	0	0	0	0
Bits	Name	Description																														
18	ENDIAN	Device Endian-ness. (read / write). 0 – Byte ordering is little endian 1 – reserved																														
17:16	SIZE	Maximum Burst Size of each data transferred (read / write). 00 – reserved 01 – 8 Bytes 10 – 16 Bytes 11 – 32 Bytes If DCMDx[LENGTH] is less than DCMDx[SIZE] the data transfer size equals DCMDx[LENGTH].																														
15:14	WIDTH	Width of the on-chip peripheral. (read / write/). 00 – reserved 01 – 1 byte 10 – HalfWord (2 bytes) 11 – Word (4 Bytes) Must be programmed 00 for memory-to-memory moves or companion-chip related operations.																														
13	—	reserved																														
12:0	LENGTH	Length of transfer in bytes. (read / write). Indicates the length of transfer in bytes. DCMD[LENGTH] = 0 means zero bytes for Descriptor Fetch Mode only. DCMD[LENGTH] = 0 is an invalid setting for the No-Descriptor Fetch Mode. The maximum transfer length is (8K-1) bytes. If the transfer involves any of the internal peripherals, the length of the transfer must be an integer multiple of the width of that peripheral.																														

5.4 Examples

This section contains examples that show how to:

- Set up and start a channel
- Initialize a descriptor list for a channel that is running
- Add a descriptor to the end of a descriptor list for a channel that is running
- Initialize a channel that is going to be used by a direct DMA master

Example 1. How to set up and start a channel:

The following example shows how to set up a channel to transfer LENGTH words from the address DSADR to the I/O address DTADR. The example also shows how to start the transfer. The example sets the stop bit in the DDADR, so the DMA channel stops after it completely transfers LENGTH bytes of data.

```
// build real descriptor
desc[0].ddadr = STOP
desc[0].dsadr = DSADR
desc[0].dtadr = DTADR
desc[0].dcmd = DCMD

// start the channel
DMANEXT[CHAN] = &desc[0]
DRUN = 1
```

Example 2. How to initialize a descriptor list for a channel that is running:

```
// Allocate a new descriptor, and make it an end
// descriptor whose "ddadr" field points back at itself
newDesc = New Desc()
newDesc->ddadr = newDesc | STOP
// make it a zero length descriptor
newDesc->dcmd = ZERO
// Start the channel
DMANEXT[CHAN] = newDesc
DRUN = 1
```

The channel starts, loads the descriptor in its registers, and stops because the transfer length is 0 and the STOP bit is set. No data is transferred in this example. The channel can be restarted by writing to its DDADR and writing a 1 to the DCSR[RUN] bit.

Example 3. How to add a descriptor to the end of a descriptor list for a channel that is running:

The example in this section assumes that the Descriptor Fetch Mode is active.

DMA descriptor lists are used as queues of full buffers for network transmitters and as queues of empty buffers for network receivers. Because the buffers in a queue are often small (in particular, as small as an ATM cell), on-the-fly DMA descriptor lists manipulation must be efficient.

1. Write a 0 to DCSR[RUN].
2. Wait until the channel stops. The channel stop state is reflected in the DCSR: STOPSTATE bit.

3. In memory, create the descriptor to be added and set its stop bit to a 1.
4. In the memory, manipulate the DDADR of the current chain's last descriptor such that its DDADR points to the descriptor created in Step 3.
5. In the memory, create a new descriptor that has the same DDADR, DSADR, DTADR, and CMD as those of the stopped DMA channel. The new descriptor is the next descriptor for the list.
6. Examine the DMA channel registers and determine if the channel stopped in the chain's last descriptor of the chain. If it did, manipulate the DDADR of the last descriptor in the memory so that its DDADR points to the descriptor created in Step 3. Otherwise, continue to Step 7.
7. Program the channel's DDADR with the descriptor created in Step 5.
8. Set the DCSR[RUN] to a 1.

Example 4. How to initialize a channel that is going to be used by a direct DMA master:

The most efficient way to move data between an I/O device and main memory is the processor's descriptor-based DMA system. Each application has different requirements, so a descriptor-based DMA may be best for some applications while a non-descriptor-based DMA is best for others. For applications that can not tolerate the time needed to fetch a descriptor before each DMA transfer, choose the non descriptor-based DMA method. For applications that can tolerate it, a descriptor-based DMA method can reduce the amount of core intervention.

Self-Modifying Descriptors: The descriptor-based DMA system can be used to provide true direct memory access to devices that require it.

In this example, a companion chip has these requirements:

1. When the companion chip asserts DREQ from 0 to 1, the DMA must fetch four words of the descriptor from one of the chip's ports.
2. Based on the information contained in the four descriptor words, the DMA must transfer data from the source address to the destination address without waiting for another request from the companion chip.
3. After it transfers the number of bytes in DCMD:LENGTH, the DMA returns to Step 1.

An external device with these requirements can use a constant descriptor in memory.

```
struct {longddadr;
        longdsadr;
        longdtadr;
        shortlength;
        shortdcmd;
} desc[2];
desc[0].ddadr = &desc[1]
desc[0].dsadr = I_ADR + I_DESC_OFFS
desc[0].dtadr = &desc[1].dsadr
desc[0].length = 8;
desc[0].dcmd = CMD_IncTrgAdr | CMD_FlowThru;
desc[1].ddadr = &desc[0]
desc[1].dtadr = I_ADR + I_DATA_OFFS
desc[1].dsadr = 0
desc[1].length = 0
desc[1].dcmd = 0
```

When the external device has data to transfer, it makes a DMA request in the standard way. The DMAC wakes up and reads four words from the device's I_DESC_OFFS address (the DMAC only transfers four words because the first descriptor has an 8-byte count.). The four words from the external device are written in the DSADR, DTADR, and DCMD fields of the next descriptor. The DMAC then steps into the next (dynamically modified) descriptor and, using the I_DATA_OFFS address on the external device, starts the transfer that the external device requested. When the transfer is finished, the DMAC steps back into the first descriptor and the process is repeated.

This example lends itself to any number of variations. For example, a DMA channel that is programmed in this way can be used to transfer messages from a network device directly into client buffers. Each block of data would be preceded by its final destination address and a count.

5.5 DMA Controller Register Summary

This section describes the DMAC Registers. Refer to [Table 5-13](#).

Table 5-13. DMA Controller Register Summary (Sheet 1 of 5)

Address	Name	Description
0x4000_0000	DCSR0	DMA Control / Status Register for Channel 0
0x4000_0004	DCSR1	DMA Control / Status Register for Channel 1
0x4000_0008	DCSR2	DMA Control / Status Register for Channel 2
0x4000_000C	DCSR3	DMA Control / Status Register for Channel 3
0x4000_0010	DCSR4	DMA Control / Status Register for Channel 4
0x4000_0014	DCSR5	DMA Control / Status Register for Channel 5
0x4000_0018	DCSR6	DMA Control / Status Register for Channel 6
0x4000_001C	DCSR7	DMA Control / Status Register for Channel 7
0x4000_0020	DCSR8	DMA Control / Status Register for Channel 8
0x4000_0024	DCSR9	DMA Control / Status Register for Channel 9
0x4000_0028	DCSR10	DMA Control / Status Register for Channel 10
0x4000_002C	DCSR11	DMA Control / Status Register for Channel 11
0x4000_0030	DCSR12	DMA Control / Status Register for Channel 12
0x4000_0034	DCSR13	DMA Control / Status Register for Channel 13
0x4000_0038	DCSR14	DMA Control / Status Register for Channel 14
0x4000_003C	DCSR15	DMA Control / Status Register for Channel 15
0x4000_00F0	DINT	DMA Interrupt Register
0x4000_0100	DRCMR0	Request to Channel Map Register for DREQ 0 (companion chip request 0)
0x4000_0104	DRCMR1	Request to Channel Map Register for DREQ 1 (companion chip request 1)
0x4000_0108	DRCMR2	Request to Channel Map Register for I2S receive Request
0x4000_010C	DRCMR3	Request to Channel Map Register for I2S transmit Request

Table 5-13. DMA Controller Register Summary (Sheet 2 of 5)

Address	Name	Description
0x4000_0110	DRCMR4	Request to Channel Map Register for BTUART receive Request
0x4000_0114	DRCMR5	Request to Channel Map Register for BTUART transmit Request.
0x4000_0118	DRCMR6	Request to Channel Map Register for FFUART receive Request
0x4000_011C	DRCMR7	Request to Channel Map Register for FFUART transmit Request
0x4000_0120	DRCMR8	Request to Channel Map Register for AC97 microphone receive Request
0x4000_0124	DRCMR9	Request to Channel Map Register for AC97 modem receive Request
0x4000_0128	DRCMR10	Request to Channel Map Register for AC97 modem transmit Request
0x4000_012C	DRCMR11	Request to Channel Map Register for AC97 audio receive Request
0x4000_0130	DRCMR12	Request to Channel Map Register for AC97 audio transmit Request
0x4000_0134	DRCMR13	Request to Channel Map Register for SSP receive Request
0x4000_0138	DRCMR14	Request to Channel Map Register for SSP transmit Request
0x4000_013C	DRCMR15	reserved
0x4000_0140	DRCMR16	reserved
0x4000_0144	DRCMR17	Request to Channel Map Register for FICP receive Request
0x4000_0148	DRCMR18	Request to Channel Map Register for FICP transmit Request
0x4000_014C	DRCMR19	Request to Channel Map Register for STUART receive Request
0x4000_0150	DRCMR20	Request to Channel Map Register for STUART transmit Request
0x4000_0154	DRCMR21	Request to Channel Map Register for MMC receive Request
0x4000_0158	DRCMR22	Request to Channel Map Register for MMC transmit Request
0x4000_015C	DRCMR23	reserved
0x4000_0160	DRCMR24	reserved
0x4000_0164	DRCMR25	Request to Channel Map Register for USB endpoint 1 Request
0x4000_0168	DRCMR26	Request to Channel Map Register for USB endpoint 2 Request
0x4000_016C	DRCMR27	Request to Channel Map Register for USB endpoint 3 Request
0x4000_0170	DRCMR28	Request to Channel Map Register for USB endpoint 4 Request

Table 5-13. DMA Controller Register Summary (Sheet 3 of 5)

Address	Name	Description
0x4000_0174	DRCMR29	reserved
0x4000_0178	DRCMR30	Request to Channel Map Register for USB endpoint 6 Request
0x4000_017C	DRCMR31	Request to Channel Map Register for USB endpoint 7 Request
0x4000_0180	DRCMR32	Request to Channel Map Register for USB endpoint 8 Request
0x4000_0184	DRCMR33	Request to Channel Map Register for USB endpoint 9 Request
0x4000_0188	DRCMR34	reserved
0x4000_018C	DRCMR35	Request to Channel Map Register for USB endpoint 11 Request
0x4000_0190	DRCMR36	Request to Channel Map Register for USB endpoint 12 Request
0x4000_0194	DRCMR37	Request to Channel Map Register for USB endpoint 13 Request
0x4000_0198	DRCMR38	Request to Channel Map Register for USB endpoint 14 Request
0x4000_019C	DRCMR39	reserved
0x4000_0200	DDADR0	DMA Descriptor Address Register channel 0
0x4000_0204	DSADR0	DMA Source Address Register channel 0
0x4000_0208	DTADR0	DMA Target Address Register channel 0
0x4000_020C	DCMD0	DMA Command Address Register channel 0
0x4000_0210	DDADR1	DMA Descriptor Address Register channel 1
0x4000_0214	DSADR1	DMA Source Address Register channel 1
0x4000_0218	DTADR1	DMA Target Address Register channel 1
0x4000_021C	DCMD1	DMA Command Address Register channel 1
0x4000_0220	DDADR2	DMA Descriptor Address Register channel 2
0x4000_0224	DSADR2	DMA Source Address Register channel 2
0x4000_0228	DTADR2	DMA Target Address Register channel 2
0x4000_022C	DCMD2	DMA Command Address Register channel 2
0x4000_0230	DDADR3	DMA Descriptor Address Register channel 3
0x4000_0234	DSADR3	DMA Source Address Register channel 3
0x4000_0238	DTADR3	DMA Target Address Register channel 3
0x4000_023C	DCMD3	DMA Command Address Register channel 3
0x4000_0240	DDADR4	DMA Descriptor Address Register channel 4
0x4000_0244	DSADR4	DMA Source Address Register channel 4
0x4000_0248	DTADR4	DMA Target Address Register channel 4
0x4000_024C	DCMD4	DMA Command Address Register channel 4
0x4000_0250	DDADR5	DMA Descriptor Address Register channel 5
0x4000_0254	DSADR5	DMA Source Address Register channel 5

Table 5-13. DMA Controller Register Summary (Sheet 4 of 5)

Address	Name	Description
0x4000_0258	DTADR5	DMA Target Address Register channel 5
0x4000_025C	DCMD5	DMA Command Address Register channel 5
0x4000_0260	DDADR6	DMA Descriptor Address Register channel 6
0x4000_0264	DSADR6	DMA Source Address Register channel 6
0x4000_0268	DTADR6	DMA Target Address Register channel 6
0x4000_026C	DCMD6	DMA Command Address Register channel 6
0x4000_0270	DDADR7	DMA Descriptor Address Register channel 7
0x4000_0274	DSADR7	DMA Source Address Register channel 7
0x4000_0278	DTADR7	DMA Target Address Register channel 7
0x4000_027C	DCMD7	DMA Command Address Register channel 7
0x4000_0280	DDADR8	DMA Descriptor Address Register channel 8
0x4000_0284	DSADR8	DMA Source Address Register channel 8
0x4000_0288	DTADR8	DMA Target Address Register channel 8
0x4000_028C	DCMD8	DMA Command Address Register channel 8
0x4000_0290	DDADR9	DMA Descriptor Address Register channel 9
0x4000_0294	DSADR9	DMA Source Address Register channel 9
0x4000_0298	DTADR9	DMA Target Address Register channel 9
0x4000_029C	DCMD9	DMA Command Address Register channel 9
0x4000_02A0	DDADR10	DMA Descriptor Address Register channel 10
0x4000_02A4	DSADR10	DMA Source Address Register channel 10
0x4000_02A8	DTADR10	DMA Target Address Register channel 10
0x4000_02AC	DCMD10	DMA Command Address Register channel 10
0x4000_02B0	DDADR11	DMA Descriptor Address Register channel 11
0x4000_02B4	DSADR11	DMA Source Address Register channel 11
0x4000_02B8	DTADR11	DMA Target Address Register channel 11
0x4000_02BC	DCMD11	DMA Command Address Register channel 11
0x4000_02C0	DDADR12	DMA Descriptor Address Register channel 12
0x4000_02C4	DSADR12	DMA Source Address Register channel 12
0x4000_02C8	DTADR12	DMA Target Address Register channel 12
0x4000_02CC	DCMD12	DMA Command Address Register channel 12
0x4000_02D0	DDADR13	DMA Descriptor Address Register channel 13
0x4000_02D4	DSADR13	DMA Source Address Register channel 13
0x4000_02D8	DTADR13	DMA Target Address Register channel 13
0x4000_02DC	DCMD13	DMA Command Address Register channel 13
0x4000_02E0	DDADR14	DMA Descriptor Address Register channel 14
0x4000_02E4	DSADR14	DMA Source Address Register channel 14
0x4000_02E8	DTADR14	DMA Target Address Register channel 14

Table 5-13. DMA Controller Register Summary (Sheet 5 of 5)

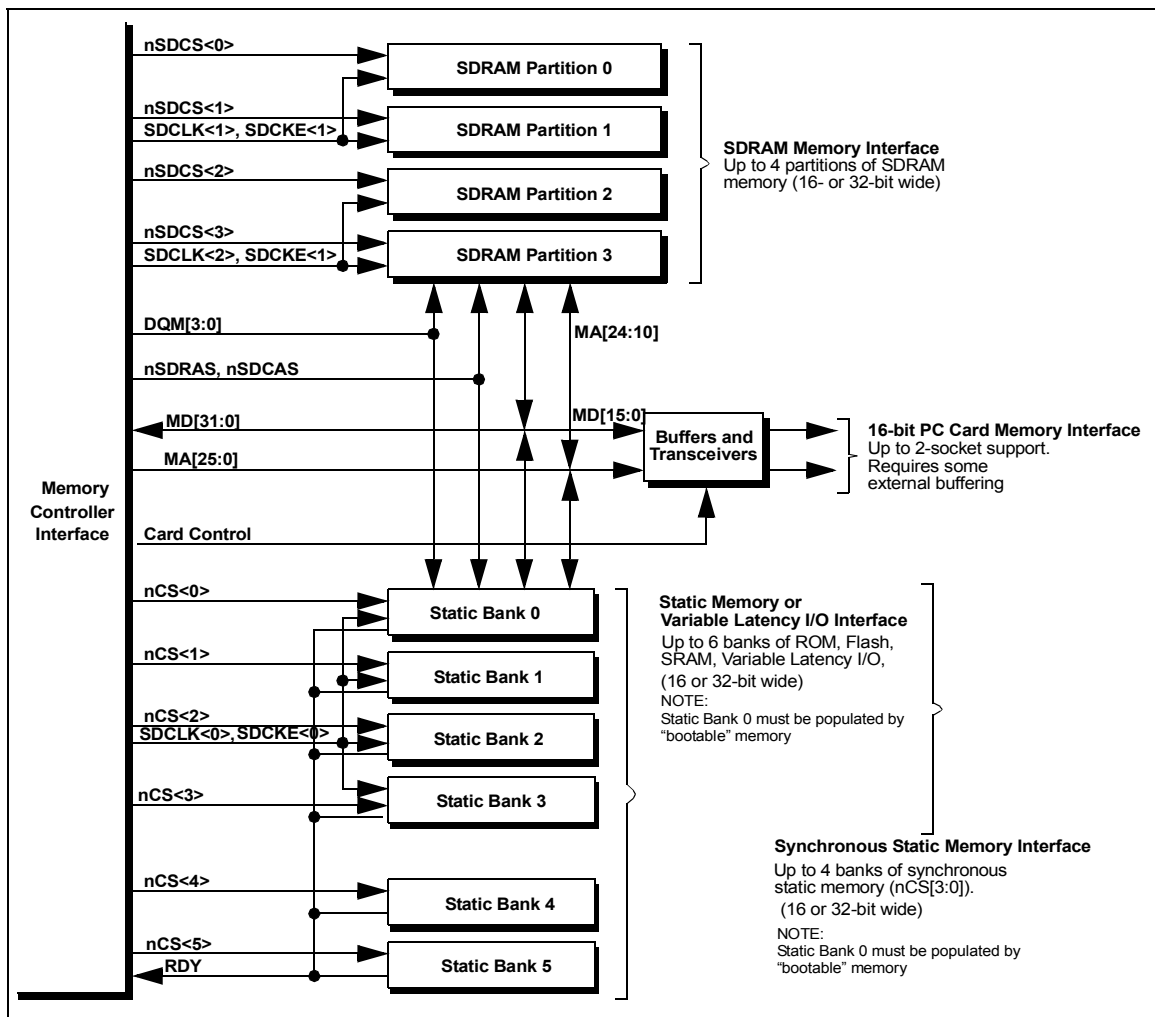
Address	Name	Description
0x4000_02EC	DCMD14	DMA Command Address Register channel 14
0x4000_02F0	DDADR15	DMA Descriptor Address Register channel 15
0x4000_02F4	DSADR15	DMA Source Address Register channel 15
0x4000_02F8	DTADR15	DMA Target Address Register channel 15
0x4000_02FC	DCMD15	DMA Command Address Register channel 15

This chapter describes the external memory interface structures and memory-related registers supported by the PXA255 processor.

6.1 Overview

The processor external memory bus interface supports Synchronous Dynamic Memory (SDRAM), synchronous and asynchronous burst modes, Page-mode flash, Synchronous Mask ROM (SMROM), Page Mode ROM, SRAM, SRAM-like Variable Latency I/O (VLIO), 16-bit PC Card expansion memory, and Compact Flash. Memory types can be programmed through the Memory Interface Configuration registers. [Figure 6-1](#) is a block diagram of the maximum configuration of the memory controller.

Figure 6-1. General Memory Interface Configuration



6.2 Functional Description

The processor has three different memory spaces: SDRAM, Static Memory, and Card Memory.

SDRAM has four partitions, Static Memory has six, and Card space has two. When memory access attempts to burst across the boundary between adjacent partitions, ensure that the configurations for the partitions are identical. The configurations must be identical in every aspect, including external bus width and burst length.

6.2.1 SDRAM Interface Overview

The processor supports the SDRAM interface, which supports four 16- and 32-bit-wide SDRAM partitions. Each partition is allocated 64 Mbytes of the internal memory map, but the actual size of each partition depends on the SDRAM configuration. The four partitions are divided into two

partition pairs: the 0/1 pair and the 2/3 pair. The partitions in a pair must be identical in size and configuration. The two pairs may be different (for example, the 0/1 pair can be 100 MHz SDRAM on a 32-bit data bus, while the 2/3 pair can be 50 MHz SDRAM on a 16-bit data bus).

The processor SDRAM Controller includes the following signals:

- 4 partition selects (nSDCS[3:0])
- 4 byte selects (DQM[3:0])
- 15 multiplexed bank/row/column address signals (MA[24:10])
- 1 write enable (nWE)
- 1 column-address strobe (nSDCAS)
- 1 row-address strobe (nSDRAS)
- 1 clock enable (SDCKE[1])
- 2 clocks (SDCLK[2:1])
- 32 data (MD[31:0])

The processor performs auto-refresh (CBR) during normal operation, and supports self-refreshing SDRAM during Sleep mode. An SDRAM *auto-power-down mode* bit can be set so that the clock and clock enable to SDRAM are automatically de-asserted whenever none of the corresponding partitions is being accessed.

The processor supports x8, x16, and x32 SDRAM chips.

Upon enabling an SDRAM partition, a mode register set command (MRS), see [Section 6.5.6](#), is sent to the SDRAM devices by writing to the MDMRS register. The PXA255 processor adds support for low-power SDRAM by giving software access to the Extended Mode Register via the MDMRSLP register.

MRS commands always configure SDRAM internal mode registers for sequential burst type and a burst length of four.

The CAS latency is determined by the DTC0 or DTC2 field of MDCNFG.

6.2.2 Static Memory Interface / Variable Latency I/O Interface

The static memory and variable latency I/O interface has six chip selects (nCS[5:0]) and 26 bits of byte address (MA[25:0]) for accesses of up to 64 Mbytes of memory in each of six banks. Each chip select is individually programmed for selecting one of the supported static memory types:

- Non-burst ROM or Flash memory is supported on nCS[5:0]
- Burst ROM or Flash (with non-burst writes) is supported on nCS[5:0]
- Burst and non-burst SRAM is supported on nCS[5:0]
- Variable Latency I/O is supported on nCS[5:0]
- Synchronous static memory is supported on nCS[3:0]

The Variable Latency I/O interface differs from SRAM in that it allows the data-ready input signal, RDY, to insert a variable number of wait states. For all static memory types, each chip select can be individually configured to a 16-bit or 32-bit-wide data bus. nOE is asserted on all reads, nPWE is

asserted on writes to Variable Latency I/O devices, and nWE is asserted on writes to all other static devices, both synchronous and asynchronous. For SRAM and variable latency I/O, DQM[3:0] are byte selects for both reads and writes.

When the processor comes out of reset, it starts fetches and executes instructions at address 0x00, which corresponds to memory selected by nCS<0>. The boot ROM must be located at this address. The BOOT_SEL pins determine the type of boot memory (refer to [Section 6.10.1](#)).

6.2.3 16-Bit PC Card / Compact Flash Interface

The processor card interface is based on *The PC Card Standard - Volume 2 - Electrical Specification, Release 2.1*, and *CF+ and CompactFlash Specification Revision 1.4*. The 16-bit PC Card/Compact Flash interface provides control signals to support any combination of 16-bit PC Card/Compact Flash for two card sockets, using address line (MA[25:0]) and data lines (MD[15:0]).

The processor 16-bit PC Card / Compact Flash Controller provides the following signals.

- nPREG is muxed with MA[26] and selects register space (I/O or attribute) versus memory space
- nPOE and nPWE allow memory and attribute reads and writes
- nPIOR, nPIOW, and nOIS16 control I/O reads and writes
- nPWAIT allows extended access times
- nPCE2 and nPCE1 are byte select high and low for a 16-bit data bus
- PSKTSEL selects between two card sockets

6.3 Memory System Examples

This section provides examples of memory configurations that are possible with the processor. [Figure 6-2](#) shows a system that uses 1M x 16-bit x 4-bank SDRAM devices for a total of 48 Mbytes.

Figure 6-2. SDRAM Memory System Example

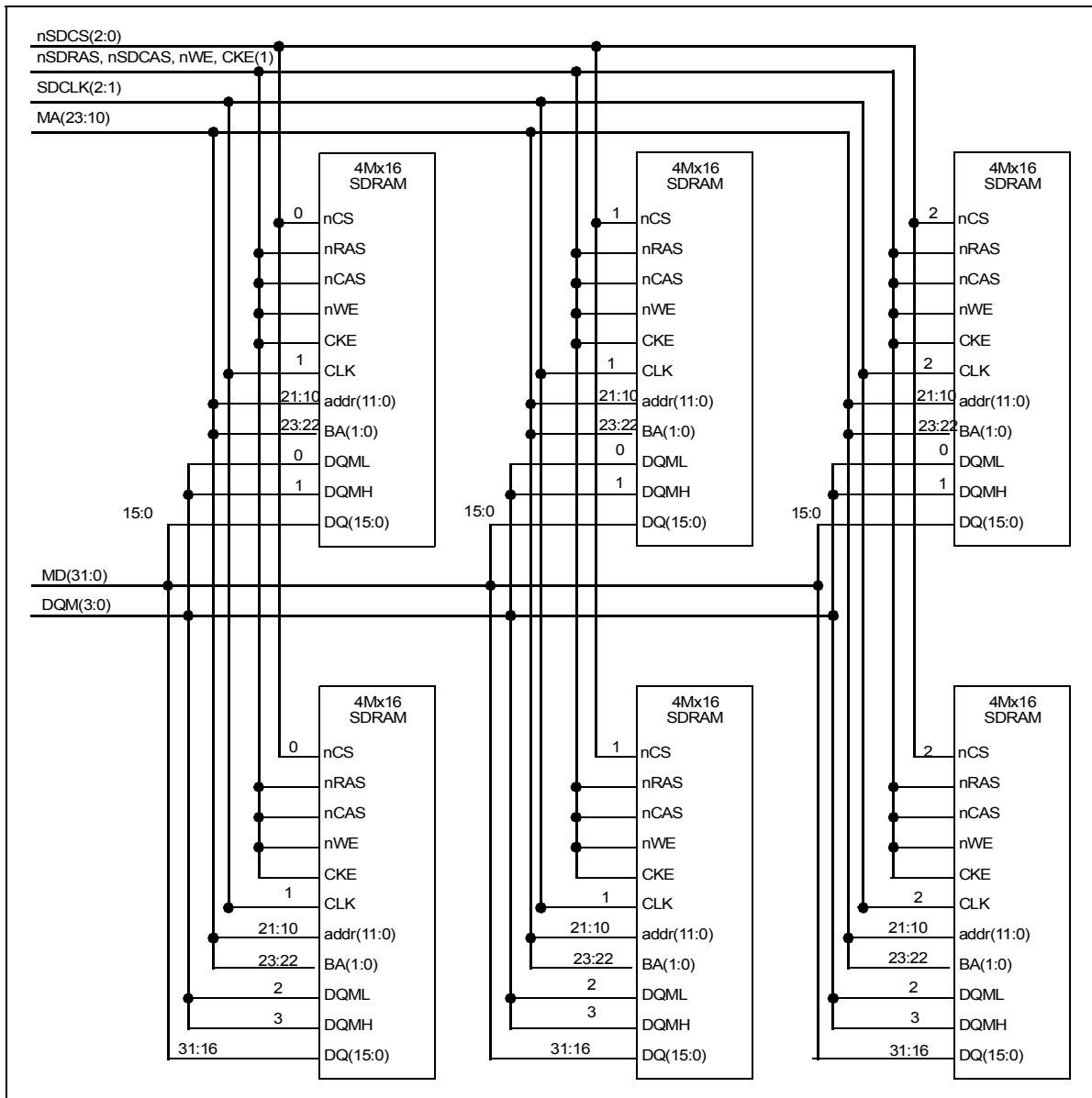
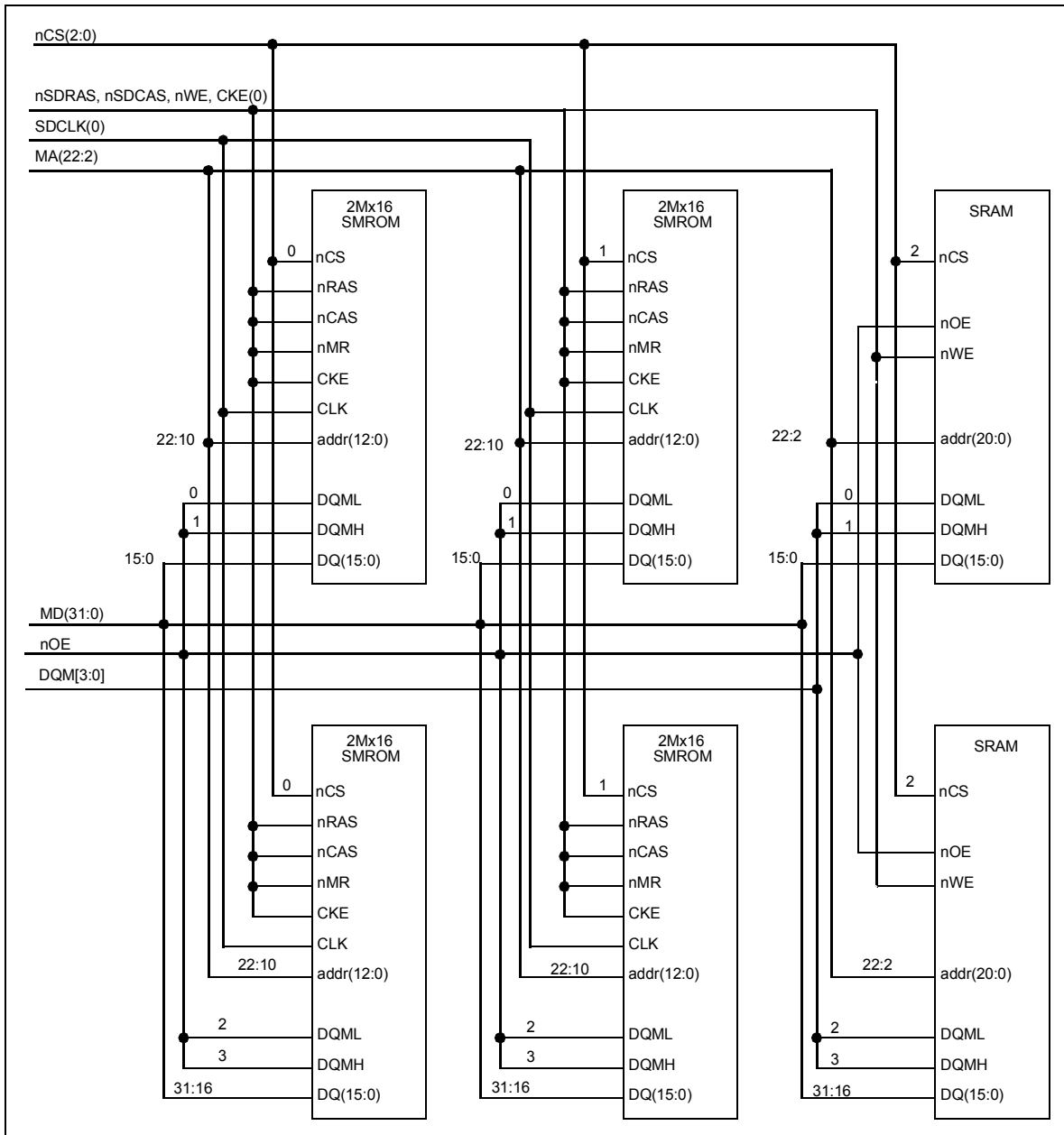


Figure 6-3 shows an alternate memory configuration. This system uses 2M x 16 SMROM devices in static banks 0 and 1, and RAM devices in static bank 2.

Figure 6-3. Static Memory System Example



6.4 Memory Accesses

If a memory access is followed by an idle bus period, the control signals return to their inactive state. The address and data signals remain at their previous values to avoid unnecessary bus transitions and eliminate the need for multiple pull-up resistors.

Table 6-1 lists all the transactions that the processor can generate. No burst can cross an aligned 32-byte boundary. On a 16-bit data bus, each full word access becomes a two half-word burst, with address bit 1 set to a 0. Each write access to Flash memory space must take place in one non-burst operation, regardless of the bus size.

Table 6-1. Device Transactions

Bus Operation	Burst Size (Words)	Start Address Bits [4:2]	Description
Read single	1	Any	Generated by core, DMA, or LCD request.
Read burst	4	0 4	Generated by DMA or LCD request.
Read burst	8	0	Generated by cache line fills.
Write single	1	Any	1..4 bytes are written as specified by the byte mask. Generated by DMA request.
Write burst	2	0,1,2 4,5,6	All 4 bytes of each word are written. Generated by DMA request.
Write burst	3	0,1 4,5	All 4 bytes of each word are written. Generated by DMA request.
Write burst	4	0 4	All 4 bytes of each word are written. Generated by DMA request.
Write burst	8	0	Cacheline copyback. All 32 bytes are written.

6.4.1 Reads and Writes

DQM[3:0] are data masking bits. When asserted (high), the corresponding bit masks the associated byte of data on the MD[31:0] bus. When deasserted (low), the corresponding bit does not mask the associated byte of data on the MD[31:0] bus.

- DQM[3] corresponds to MD[31:24]
- DQM[2] corresponds to MD[23:16]
- DQM[1] corresponds to MD[15:8]
- DQM[0] corresponds to MD[7:0]

For writes to SDRAM, SRAM, or Variable Latency I/O memory spaces, the DQM[3:0] lines enable the corresponding byte of the data bus. Flash memory space stores must be exactly the width of the Flash data bus, either 16- or 32-bits. See [Section 6.7.7](#) for more information.

For reads to all memory types, the DQM[3:0] lines are deasserted (set low so data is not masked).

6.4.2 Aborts and Nonexistent Memory

Accessing reserved portions of the memory map results in a data abort exception.

Hardware does not detect reads and writes from or to enabled and nonexistent memory. If memory in an enabled partition is not present, a read returns indeterminate data.

If memory does not occupy all 64 MB of the partition, reads and writes from or to the unoccupied portion are processed as if the memory occupies the entire 64 MB of the memory partition.

A single word (or half-word if the data bus width is defined as 16-bits) access to a disabled SDRAM partition (MDCNFG:DEX=0) causes a CBR refresh cycle to all four partitions. This technique is used in the hardware initialization procedure. Read return data is indeterminate and writes are not executed on the external memory bus.

A burst read access to a disabled SDRAM partition results in a target-abort exception. Target aborts are also generated for burst writes to Flash/ROM space and bursts to configuration space. Attempted single beat writes to ROM are not aborted. Bursts to configuration space also result in target aborts. Target aborts can be either Data or Prefetch abort depending on the source of the attempted burst transaction.

6.5 Synchronous DRAM Memory Interface

Each possible SDRAM portion of the Memory Map is referred to as a partition, to distinguish them from banks internal to SDRAM devices.

The signals used to control the SDRAM memory are listed in [Section 6.2.1](#).

6.5.1 SDRAM MDCNFG Register (MDCNFG)

MDCNFG, shown in [Table 6-2](#), is a read/write register and contains control bits for configuring the SDRAM. Both SDRAM partitions in a pair (0/1 or 2/3) must be implemented with the same type of SDRAM devices, but the two partition pairs may differ.

This is a read/write register. Ignore reads from reserved bits. Write zeros to reserved bits.

Table 6-2. MDCNFG Bit Definitions (Sheet 1 of 3)

0x4800_0000										MDCNFG						Memory Controller																
Bit	31	30	29	28	27	26	25	24	23	22	21	20	19	18	17	16	15	14	13	12	11	10	9	8	7	6	5	4	3	2	1	0
	reserved	reserved	reserved	DSA1111_2	DLATCH2	DADDR2	DTC2	reserved	DNB2	DRAC2	DCAC2	DWID2	DE3	DE2	reserved	reserved	reserved	reserved	reserved	DSA1111_0	DLATCH0	DADDR0	DTC0	DNB0	DRAC0	DCAC0	DWID0	DE1	DE0			
Reset	0	0	0	0	0	0	0	0	0	0	0	0	0	0	0	0	0	0	0	0	0	0	0	0	0	0	0	0	0	0	0	0
Bits	Name		Description																													
0	DE0		SDRAM enable for partition 0 For each SDRAM partition, there is an enable bit. A single (non-burst) 32-bit (or 16-bit if MDCNFG:DWID0='1') access (read or write) to a disabled SDRAM partition triggers a CBR refresh cycle to all partitions. When all partitions are disabled, the refresh counter is disabled. 0 – SDRAM partition disabled 1 – SDRAM partition enabled																													
1	DE1		SDRAM enable for partition 1 For each SDRAM partition, there is an enable bit. A single (non-burst) 32-bit (or 16-bit if MDCNFG:DWID0='1') access (read or write) to a disabled SDRAM partition triggers a CBR refresh cycle to all partitions. When all partitions are disabled, the refresh counter is disabled. 0 – SDRAM partition disabled 1 – SDRAM partition enabled																													
2	DWID0		SDRAM data bus width for partition pair 0/1 0 – 32 bits 1 – 16 bits																													
4:3	DCAC0[1:0]		Number of Column Address bits for partition pair 0/1 00 - 8 column address bits 01 - 9 column address bits 10 - 10 column address bits 11 - 11 column address bits																													
6:5	DRAC0[1:0]		SDRAM row address bit count for partition pair 0/1 00 – 11 row address bits 01 – 12 row address bits 10 – 13 row address bits 11 – reserved																													
7	DNB0		Number of banks in lower partition pair 0 – 2 internal SDRAM banks 1 – 4 internal SDRAM banks																													

Table 6-2. MDCNFG Bit Definitions (Sheet 2 of 3)

		0x4800_0000										MDCNFG										Memory Controller															
Bit	31	30	29	28	27	26	25	24	23	22	21	20	19	18	17	16	15	14	13	12	11	10	9	8	7	6	5	4	3	2	1	0					
	reserved	reserved	reserved	DSA1111_2	DLATCH2	DADDR2	DTC2	DNB2	DRAC2	DCAC2	DWID2	DE3	DE2	reserved	reserved	reserved	reserved	reserved	reserved	DSA1111_0	DLATCH0	DADDR0	DTC0	DNB0	DRAC0	DCAC0	DWID0	DE1	DE0								
Reset	0	0	0	0	0	0	0	0	0	0	0	0	0	0	0	0	0	0	0	0	0	0	0	0	0	0	0	0	0	0	0	0					
Bits	Name		Description																																		
9:8	DTC0[1:0]		Timing Category for SDRAM pair 0/1. 00 - tRP = 2 clks, CL = 2, tRCD = 1 clks, tRAS(min) = 3 clks, tRC = 4 clks 01 - tRP = 2 clks, CL = 2, tRCD = 2 clks, tRAS(min) = 5 clks, tRC = 8 clks 10 - tRP = 3 clks, CL = 3, tRCD = 3 clks, tRAS(min) = 7 clks, tRC = 10 clks 11 - tRP = 3 clks, CL = 3, tRCD = 3 clks, tRAS(min) = 7 clks, tRC = 11 clks tWR (write recovery time) is fixed at 2 clocks. Used to configure the SDRAM timings to the SDRAM manufacturer's specifications. Clocks referred to in the timings above are the number of SDCLKs. SDCLKs may not be equivalent to memory clocks based on the MDREFRx[KxDB2]. See Figure 6-5 for a description of these timing numbers.																																		
10	DADDR0		reserved For an explanation on how the alternate addressing works, see Figure 6-4																																		
11	DLATCH0		Return Data from SDRAM latching scheme for pair 0/1 0 – Latch return data using fixed delay from MEMCLK 1 – Latch return data with return clock This bit must always be written with a '1' to enable using the return clock SDCLK for latching data. For more detail on this return data latching, see Section 6.5.4																																		
12	DSA1111_0		Use SA1111 Addressing Muxing Mode for pair 0/1. Setting this bit will override the addressing bit programmed in MDCNFG:DADDR0. For an explanation on how the SA1111 addressing works, see Table 6-8 .																																		
15:13	—		reserved																																		
16	DE2		SDRAM enable for partition 2 For each SDRAM partition, there is an enable bit. A single (non-burst) 32-bit (or 16-bit if MDCNFG:DWID2='1') access (read or write) to a disabled SDRAM partition triggers a CBR refresh cycle to all partitions. When all partitions are disabled, the refresh counter is disabled. 0 – SDRAM partition disabled 1 – SDRAM partition enabled																																		
17	DE3		SDRAM enable for partition 3 For each SDRAM partition, there is an enable bit. A single (non-burst) 32-bit (or 16-bit if MDCNFG:DWID2='1') access (read or write) to a disabled SDRAM partition triggers a CBR refresh cycle to all partitions. When all partitions are disabled, the refresh counter is disabled. 0 – SDRAM partition disabled 1 – SDRAM partition enabled																																		
18	DWID2		SDRAM data bus width for partition pair 2/3 0 – 32 bits 1 – 16 bits																																		

Table 6-2. MDCNFG Bit Definitions (Sheet 3 of 3)

0x4800_0000				MDCNFG								Memory Controller																				
Bit	31	30	29	28	27	26	25	24	23	22	21	20	19	18	17	16	15	14	13	12	11	10	9	8	7	6	5	4	3	2	1	0
	reserved			DSA1111_2	DLATCH2	DADDR2	DTC2		DNB2	DRAC2		DCAC2		DWID2	DE3	DE2	reserved			DSA1111_0	DLATCH0	DADDR0	DTC0		DNB0	DRAC0		DCAC0		DWID0	DE1	DE0
Reset	0	0	0	0	0	0	0	0	0	0	0	0	0	0	0	0	0	0	0	0	0	0	0	0	0	0	0	0	0	0	0	0
Bits	Name		Description																													
20:19	DCAC2[1:0]		Number of Column Address bits for partition pair 2/3 00 – 8 column address bits 01 – 9 column address bits 10 – 10 column address bits 11 – 11 column address bits																													
22:21	DRAC2[1:0]		SDRAM row address bit count for partition pair 2/3 00 – 11 row address bits 01 – 12 row address bits 10 – 13 row address bits 11 – reserved																													
23	DNB2		Number of banks in upper partition pair 0 – 2 internal SDRAM banks 1 – 4 internal SDRAM banks																													
25:24	DTC2[1:0]		Timing Category for SDRAM pair 2/3 00 – tRP = 2 clks, CL = 2, tRCD = 1 clks, tRAS(min) = 3 clks, tRC = 4 clks 01 – tRP = 2 clks, CL = 2, tRCD = 2 clks, tRAS(min) = 5 clks, tRC = 8 clks 10 – tRP = 3 clks, CL = 3, tRCD = 3 clks, tRAS(min) = 7 clks, tRC = 10 clks 11 – tRP = 3 clks, CL = 3, tRCD = 3 clks, tRAS(min) = 7 clks, tRC = 11 clks tWR (write recovery time) is fixed at 2 clocks. These bits are used to configure the SDRAM timings per the SDRAM manufacturer's specifications. Clocks referred to in the timings above are the number of SDCLKs. SDCLKs may not be equivalent to memory clocks based on the MDREFRx[KxDDB2]. See Figure 6-5 for a description of these timing numbers.																													
26	DADDR2		reserved For an explanation on how the alternate addressing works, see Figure 6-4 .																													
27	DLATCH2		Return Data from SDRAM latching scheme for pair 2/3 0 – Latch return data using fixed delay from MEMCLK 1 – Latch return data with return clock This bit must always be written with a '1' to enable using the return clock SDCLK for latching data. For more detail on this return data latching, see Section 6.5.4 .																													
28	DSA1111_2		Use SA1111 Addressing Muxing Mode for pair 2/3. Setting this bit will override the addressing bit programmed in MDCNFG:DADDR2. For an explanation on how the SA1111 addressing works, see Table 6-8 .																													
31:29	—		reserved																													

6.5.2 SDRAM Mode Register Set Configuration Register (MDMRS)

The MDMRS, shown in [Table 6-3](#), issues an Mode Register Set (MRS) command to the SDRAM. The value written in this register is placed directly on address lines MA[24:17] during the MRS command. For MA[16:10], values which are fixed or derived from the MDCNFG register are placed on the address bus. When setting the values to be written out on the address lines, base the values on the addressing mode being used. Although writing to this register triggers an MRS command, the corresponding chip-select values are asserted only if the memory banks are enabled via the MDCNFG register. Therefore, to appropriately write a new MRS value to SDRAM, first enable the memory via the MDCNFG register, and then write the MDMRS register. This register is used solely for generating the MRS command.

All values in the MDCNFG register must be programmed correctly to ensure proper operation of the device.

The MDMRS[MDBLx] bits configure the SDRAM to a burst length of four. This value is fixed and cannot be changed. For transfer cycles that require more data than the set burst length of four, the controller can preform as many bursts as necessary to transfer the required amount of data. For example, during a cache line fill the controller can perform a four-beat burst followed immediately by another four-beat burst. This approach requires the controller to generate the first address for the second burst. During transfer cycles less than four beats, the controller ignores the data it does not need. For instance, if the SDRAM is configured as non-cacheable, single beat reads are seen on the bus as a four-beat read with only one beat that is used by the processor. This also applies to a single-beat write.

This is a read/write register. Ignore reads from reserved bits. Write zeros to reserved bits.

Table 6-3. MDMRS Bit Definitions (Sheet 1 of 2)

	0x4800_0040										MDMRS										Memory Controller													
Bit	31	30	29	28	27	26	25	24	23	22	21	20	19	18	17	16	15	14	13	12	11	10	9	8	7	6	5	4	3	2	1	0		
	reserved	MDMRS2					MDCL2					MDADD2	MDBL2					reserved	MDMRS0					MDCL0					MDADD0	MDBL0				
Reset	0	0	0	0	0	0	0	0	0	0	1	0	0	0	1	0	0	0	0	0	0	0	0	0	0	0	1	0	0	0	1	0		
	31	—					reserved																											
	30:23		MDMRS2		MRS value to be written to SDRAM for partition pair 2.																													
	22:20		MDCL2		SDRAM partition pair 2 CAS Latency - derived from MDCNFG:DTC2. Writes are ignored. Ready-only.																													
	19		MDADD2		SDRAM partition pair 2 Burst Type. Fix to sequential addressing. Writes are ignored. Always reads 0.																													
	18:16		MDBL2		SDRAM partition pair 2 burst length. Fixed to a burst length of four. Writes are ignored. Always reads 010.																													
	15		—		reserved																													
	14:7		MDMRS0		MRS value to be written to SDRAM for Partition Pair 0.																													

Table 6-3. MDMRS Bit Definitions (Sheet 2 of 2)

		0x4800_0040										MDMRS					Memory Controller																
Bit		31	30	29	28	27	26	25	24	23	22	21	20	19	18	17	16	15	14	13	12	11	10	9	8	7	6	5	4	3	2	1	0
	reserved	MDMRS2										MDCL2		MDADD2	MDBL2		reserved	MDMRS0					MDCL0		MDADD0	MDBL0							
Reset		0	0	0	0	0	0	0	0	0	0	1	0	0	0	1	0	0	0	0	0	0	0	0	0	0	0	1	0	0	0	1	0
	6:4	MDCL0		SDRAM partition pair 0 CAS Latency - derived from MDCNFG:DTC0. Writes are ignored. This field is ready-only.																													
	3	MDADD0		SDRAM partition pair 0 Burst Type. Fix to sequential addressing. Writes are ignored. Always reads 0.																													
	2:0	MDBL0		SDRAM partition pair 0 burst length. Fixed to a burst length of four. Writes are ignored. Always reads 010.																													

6.5.2.1 Low-Power SDRAM Mode Register Set Configuration Register

The Low-Power SDRAM Mode Register Set Configuration register (MDMRSLP) is used to issue a special low-power MRS command to SDRAM. Writing this register will trigger a two-stage MRS command to be issued to external SDRAM. The first stage will write the low-power MRS value to SDRAM partitions 0 and 1; the second stage will write the low-power MRS value to SDRAM partitions 2 and 3. The value written in this register will be placed directly on address lines MA[24:10] during the MRS command. When setting the values to be written out on the address lines, they must be written out properly based on the addressing mode which is being used. Although writing to this register will trigger an MRS command, the corresponding chip select values will be asserted only if the memory banks are enabled via the MDCNFG register and if the corresponding MDMRSLP[MDLPENx] bit is set. To write a new low-power MRS value to SDRAM, first enable the memory via the MDCNFG register, and then write the MDMRSLP register with the enable bits set.

This register is not used with in the processor except to write the value during the MRS command. All values in the MDCNFG register must be programmed correctly to ensure proper operation of the SDRAM. The register is used by a low-power SDRAM to control the Partial Array Self-Refresh (PASR) and Temperature Compensated Self-Refresh (TCSR) settings.

Table 6-4. MDMRSLP Register Bit Definitions

0X4800 0058		MDMRSLP	
Bit	31 30 29 28 27 26 25 24 23 22 21 20 19 18 17 16 15 14 13 12 11 10 9 8 7 6 5 4 3 2 1 0		
	MDLPEN2	MDMRSLP2	MDLPEN0
Reset	0 0		
Bits	Name	Description	
31	MDLPEN2	ENABLE BIT FOR LOW POWER MRS VALUE FOR PARTITION PAIR 2/3: 0 – Disable low power MRS for Partition Pair 2/3 1 – Enable low power MRS for Partition Pair 2/3	
30:16	MDMRSLP2	LOW POWER MRS VALUE TO BE WRITTEN TO SDRAM FOR PARTITION PAIR 2/3	
15	MDLPEN0	Enable bit for low power MRS value for Partition Pair 0/1. 0 – Disable low power MRS for Partition Pair 0/1 1 – Enable low power MRS for Partition Pair 0/1	
14:0	MDMRSLP0	LOW POWER MRS VALUE TO BE WRITTEN TO SDRAM FOR PARTITION PAIR 0/1	

6.5.3 SDRAM MDREFR Register (MDREFR)

MDREFR, shown in Table 6-5, is a read/write register and contains control bits that refresh both SDRAM partition pairs. MDREFR also contains control and status bits for SDRAM self-refresh, SDRAM/SMROM clock divisors, SDRAM/SMROM clocks running, and SDRAM/SMROM clock-enable pin states. Independent control/status is provided for each of the clock pins (SDCLK[2:0]) and clock-enable pins (SDCKE[1:0]).

The clock-run bits (K0RUN, K1RUN, and K2RUN) and clock-enable bits (E0PIN and E1PIN) provide software control of SDRAM and Synchronous Static Memory low-power modes. When the clock-run bits and clock-enable bits are cleared, the corresponding memory is inaccessible.

Automatic power-down, enabled by the APD bit, is an mechanism for minimizing power consumption in the processor SDCLK pin drivers and/or the SDRAM/Synchronous Static Memory devices. A latency penalty of one memory cycle is incurred when SDCLK and SDCKE are restarted between non-consecutive SDRAM/Synchronous Static Memory transfers.

The following conditions determine whether SDRAM refreshes occur.

- No refreshes are sent to SDRAM when the refresh counter is cleared to zero.
- If a single transaction to a disabled SDRAM partition is requested, a refresh to all four partitions is performed.
- If all four SDRAM partitions are disabled, the refresh counter is disabled.
- If the clock frequency is changed, the register must be rewritten, even if the value has not changed. This results in a refresh and the refresh counter being reset to the next refresh interval.

This is a read/write register. Ignore reads from reserved bits. Write zeros to reserved bits.

Table 6-5. MDREFR Bit Definitions (Sheet 1 of 3)

0x4800_0004		MDREFR											Memory Controller																			
Bit	31	30	29	28	27	26	25	24	23	22	21	20	19	18	17	16	15	14	13	12	11	10	9	8	7	6	5	4	3	2	1	0
	reserved						K2FREE	K1FREE	K0FREE	SLFRSH	reserved	APD	K2DB2	K2RUN	K1DB2	K1RUN	E1PIN	K0DB2	K0RUN	E0PIN	DRI											
Reset	0	0	0	0	0	0	1	1	1	1	0	0	1	0	1	0	0	1	*	*	1	1	1	1	1	1	1	1	1	1	1	1
Bits	Name		Description																													
31:26	—		reserved																													
25	K2FREE		SDRAM Free-Running Control 0 – SDCLK2 is not free-running 1 – SDCLK2 is free-running (ignores MDREFR[APD] or MDREFR[K2RUN] bits) Provides synchronous memory with SDCLK2 following a reset in order to reset internal circuitry.																													
24	K1FREE		SDRAM Free-Running Control 0 – SDCLK1 is not free-running 1 – SDCLK1 is free-running (ignores MDREFR[APD] or MDREFR[K1RUN] bits) Provides synchronous memory with SDCLK1 following a reset to reset internal circuitry.																													
23	K0FREE		SDRAM Free-Running Control 0 – SDCLK0 is not free-running 1 – SDCLK0 is free-running (ignores MDREFR[APD] or MDREFR[K0RUN] bits) Provides synchronous memory with SDCLK0 following a reset to reset internal circuitry.																													
22	SLFRSH		SDRAM Self-Refresh Control/Status Control/status bit for entering and exiting SDRAM self-refresh and is automatically set on a hardware or sleep reset. 0 – Self refresh disabled 1 – Self refresh enabled SLFRSH can be set by software to force a self-refresh command. E1PIN does not have to be cleared. The appropriate clock run bits (K1RUN and/or K2RUN) must remain set until SDRAM has entered self-refresh and must be set prior to exiting self-refresh (clearing SLFRSH). This capability must be used with extreme caution because the resulting state prohibits automatic transitions for any commands. Clearing SLFRSH is a part of the hardware or sleep reset procedure for SDRAM.																													
21	—		reserved																													
20	APD		SDRAM/Synchronous Static Memory Auto-Power-Down Enable. If APD=1, the clock enables and clock pins are automatically deasserted when none of the corresponding partitions are being accessed unless the KxFREE bits are set. If no SDRAM partitions are being accessed, the SDRAM chips are put into Power-Down mode and the clocks and clock-enable pins are turned off. If one SDRAM partition is being used and the other is not, the clock to the partition that is not being used are turned off. If no Synchronous Static Memory partitions are being used, the clock and clock enable to these partitions are turned off and the memory chips are put into Power-Down mode. See Section 6.7 .																													
19	K2DB2		SDRAM Clock Pin 2 (SDCLK2) Divide by 2 Control/Status 0 – SDCLK2 is same frequency as MEMCLK 1 – SDCLK2 runs at one-half the MEMCLK frequency																													

Table 6-5. MDREFR Bit Definitions (Sheet 2 of 3)

	0x4800_0004										MDREFR										Memory Controller																
Bit	31	30	29	28	27	26	25	24	23	22	21	20	19	18	17	16	15	14	13	12	11	10	9	8	7	6	5	4	3	2	1	0					
	reserved						K2FREE	K1FREE	K0FREE	SLFRSH	reserved	APD	K2DB2	K2RUN	K1DB2	K1RUN	E1PIN	K0DB2	K0RUN	E0PIN	DRI																
Reset	0	0	0	0	0	0	1	1	1	1	0	0	1	0	1	0	0	1	*	*	1	1	1	1	1	1	1	1	1	1	1	1	1				
Bits	Name		Description																																		
18	K2RUN		SDRAM Clock Pin 2 (SDCLK<2>) Run Control/Status 0 – SDCLK2 disabled 1 – SDCLK2 enabled K2RUN also can be cleared by program. Use with caution because the resulting state prohibits automatic transitions for any commands. Setting K1RUN and/or K2RUN is a part of the hardware and sleep reset procedure for SDRAM.																																		
17	K1DB2		SDRAM Clock Pin 1 (SDCLK1) Divide by 2 Control/Status 0 – SDCLK1 is same frequency as MEMCLK 1 – SDCLK1 runs at one-half the MEMCLK frequency																																		
16	K1RUN		SDRAM Clock Pin 1 (SDCLK<1>) Run Control/Status 0 – SDCLK1 disabled 1 – SDCLK1 enabled K1RUN can be cleared by software. Use with caution because the resulting state prohibits automatic transitions for any commands. Setting K1RUN and/or K2RUN is a part of the hardware and sleep reset procedure for SDRAM.																																		
15	E1PIN		SDRAM Clock Enable Pin 1 (SDCKE1) Level Control/Status 0 – SDCKE1 is disabled 1 – SDCKE1 is enabled E1PIN can be cleared by program to cause a power-down command (if K1RUN=1 and/or K2RUN=1, and SLFRSH=0). Use with caution because the resulting state prohibits automatic transitions for mode register set, read, write, and refresh commands. E1PIN can be set by program to cause a power-down-exit command (if K1RUN=1 and/or K2RUN=1, and SLFRSH=0). Setting E1PIN is a part of the hardware reset or sleep reset procedure for SDRAM.																																		
14	K0DB2		Synchronous Static Memory Clock Pin 0 (SDCLK<0>) Divide by 2 Control/Status 0 – SDCLK0 runs at the memory clock frequency. 1 – SDCLK0 runs at one-half the memory clock frequency. This bit is automatically set upon hardware or sleep reset.																																		

Table 6-5. MDREFR Bit Definitions (Sheet 3 of 3)

		0x4800_0004										MDREFR										Memory Controller															
Bit	31	30	29	28	27	26	25	24	23	22	21	20	19	18	17	16	15	14	13	12	11	10	9	8	7	6	5	4	3	2	1	0					
	reserved										K2FREE	K1FREE	K0FREE	SLFRSH	reserved	APD	K2DB2	K2RUN	K1DB2	K1RUN	E1PIN	K0DB2	K0RUN	E0PIN	DRI												
Reset	0	0	0	0	0	0	1	1	1	1	0	0	1	0	1	0	0	1	*	*	1	1	1	1	1	1	1	1	1	1	1	1					
Bits	Name		Description																																		
13	K0RUN		Synchronous Static Memory Clock Run Pin 0 (SDCLK<0>) Control/Status 0 – SDCLK0 is disabled 1 – SDCLK0 is enabled Set on exit from hardware and sleep reset if the BOOT_SEL signals are configured for a synchronous memory type. K0RUN can be cleared by the program, but this capability must be used with caution because the resulting state prohibits automatic transitions for any commands.																																		
12	E0PIN		Synchronous Static Memory Clock Enable Pin 0 (SDCKE<0>) Level Control/Status 0 – SDCKE0 is disabled 1 – SDCKE0 is enabled This bit is set on exit from hardware and sleep reset if the BOOT_SEL signals are configured for a synchronous memory type. E0PIN can be cleared by the program to cause a power-down command (if K0RUN=1). Use with caution because the resulting state prohibits automatic transitions for Mode Register Set command and read commands. E0PIN can be set by the program to cause a power-down-exit command (if K0RUN=1).																																		
11:0	DRI		SDRAM refresh interval, all partitions. The number of memory clock cycles divided by 32 between auto refresh (CBR) cycles. One row is refreshed in each SDRAM bank during each CBR refresh cycle. This interval is applicable to all SDRAM in the four partitions. To calculate the refresh interval from this programmed number, 31 is added to this number after it is multiplied by 32. The value that must be loaded into this register is calculated as follows: $DRI = (Number\ of\ memclk\ cycles - 31) / 32 = (Refresh\ time / rows) \times Memory\ clock\ frequency / 32.$ Must be programmed to be shared by both partition pairs. The smallest number must be programmed. Must be less than the tRAS (max) for the SDRAM being accessed. When cleared to 0, no refreshes are sent to the SDRAMs. If all four SDRAM partitions are disabled, the refresh counter is disabled and refreshes are only performed when a single transaction to a disabled SDRAM partition is requested. If the clock frequency is changed, this register must be rewritten, even if the value has not changed. This results in a refresh and the refresh counter is reset to the refresh interval. The minimum value that the MDREFR[DRI] bit can be set to is 0x13.																																		

6.5.4 Fixed-Delay or Return-Clock Data Latching

The Return-clock data latching works in all situations. Fixed-delay latching is not guaranteed to work in all situations and must not be used. Fixed-delay latching does not work all the time because the delays through the output pads can vary widely over a range of conditions. Because this delay can be greater than a clock cycle, it is impossible to determine the clock to latch the data from the SDRAM. Program the MDCNFG:DLATCHx and SXCNDF:SXLATCHx fields to a 1 to enable latching using the return clock SDCLK.

6.5.5 SDRAM Memory Options

The Dynamic Memory interface supports up to four partitions, organized as two pairs. Both partitions in a pair must have the same SDRAM size, configuration, timing category, and data bus width. Initialization software must set up the memory interface configuration register with:

- SDRAM timing category
- Data-bus width
- Number of row, column, and bank address bits
- Addressing scheme
- Data-latching scheme

Table 6-6 shows a sample of the supported SDRAM configurations.

Table 6-6. Sample SDRAM Memory Size Options

SDRAM Configuration (Words x Bits)	Chip Size	Number Chips/ Partition		Bank Bits x Row Bits x Column Bits	Partition Size (Mbyte/Partition)	
		16-Bit Bus	32-Bit bus		16-Bit Bus	32-Bit Bus
1M x 16	16 Mbit	1	2	1 x 11 x 8	2 Mbyte	4 Mbyte
2 M x 8	16 Mbit	2	4	1 x 11 x 9	4 Mbyte	8 Mbyte
2 M x 32	64 Mbit	N/A	1	2 x 11 x 8	N/A	8 Mbyte
4 M x 16	64 Mbit	1	2	1 x 13 x 8 2 x 12 x 8	8 Mbyte	16 Mbyte
8 M x 8	64 Mbit	2	4	1 x 13 x 9 2 x 12 x 9	16 Mbyte	32 Mbyte
8 M x 16	128 Mbit	1	2	2 x 12 x 9	16 Mbyte	32 Mbyte
16 M x 8	128 Mbit	2	4	2 x 12 x 10	32 Mbyte	64 Mbyte
16 M x 16	256 Mbit	1	2	2 x 13 x 9	32 Mbyte	64 Mbyte
32 M x 8	256 Mbit	2	4	2 x 13 x 10	64 Mbyte	128 Mbyte - exceeds partition size

Figure 6-4 shows the bank/row/column address multiplexing using a 2x13x9 32-bit SDRAM as an example for the normal bank-addressing scheme. All unused address bits during RAS and CAS time - including MA[9:0] bits not shown here - are not guaranteed, and will be either driven to zero or one.

6.5.5.1 SDRAM Addressing Modes

The processor supports two addressing modes: Normal Bank Address mode and SA-1111 Address mode. The addressing mode alters the order of the address bits that are driven on the individual memory address pins and control the SDRAM components.

Refer to Table 6-7 through Table 6-9 for a listing of address mapping options.

Table 6-4 shows how the SDRAM row and column addresses are mapped to the internal SDRAM address. The SDRAM row and column addresses are muxed. The SDRAM row is sent during an Active command and is followed by the column address during the read or write command. MA<20> is driven with 0 during column addressing. BA[1:0] is used to tell the SDRAM which bank is being read from and remains stable during column addressing. During SDRAM configuration, all the address pins are used to transfer the MRS command.

Figure 6-4. External to Internal Address Mapping Options

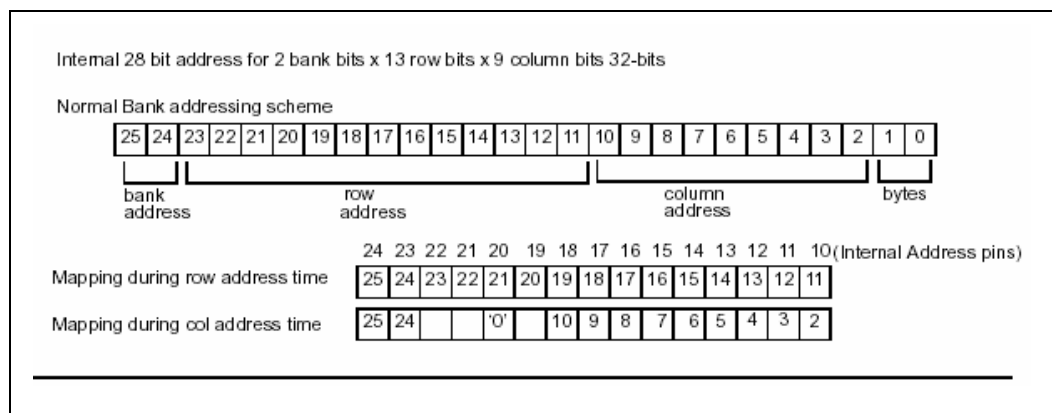


Table 6-7. External to Internal Address Mapping for Normal Bank Addressing (Sheet 1 of 3)

# Bits Bank x Row x Col x Data	External Address pins at SDRAM RAS Time MA<24:10>														External Address pins at SDRAM CAS Time MA<24:10>															
	24	23	22	21	20	19	18	17	16	15	14	13	12	11	10	24	23	22	21	20	19	18	17	16	15	14	13	12	11	10
1x11x8x32				21	20	19	18	17	16	15	14	13	12	11	10				21	'0'			9	8	7	6	5	4	3	2
1x11x8x16				20	19	18	17	16	15	14	13	12	11	10	9				20	'0'			8	7	6	5	4	3	2	1
1x11x9x32				22	21	20	19	18	17	16	15	14	13	12	11				22	'0'		10	9	8	7	6	5	4	3	2
1x11x9x16				21	20	19	18	17	16	15	14	13	12	11	10				21	'0'		9	8	7	6	5	4	3	2	1
1x11x10x32				23	22	21	20	19	18	17	16	15	14	13	12				23	'0'	11	10	9	8	7	6	5	4	3	2
1x11x10x16				22	21	20	19	18	17	16	15	14	13	12	11				22	'0'	10	9	8	7	6	5	4	3	2	1
1x11x11x32	NOT VALID (illegal addressing combination)														NOT VALID (illegal addressing combination)															
1x11x11x16	NOT VALID (illegal addressing combination)														NOT VALID (illegal addressing combination)															
1x12x8x32			22	21	20	19	18	17	16	15	14	13	12	11	10			22		'0'			9	8	7	6	5	4	3	2
1x12x8x16			21	20	19	18	17	16	15	14	13	12	11	10	9			21		'0'			8	7	6	5	4	3	2	1
1x12x9x32			23	22	21	20	19	18	17	16	15	14	13	12	11			23		'0'		10	9	8	7	6	5	4	3	2
1x12x9x16			22	21	20	19	18	17	16	15	14	13	12	11	10			22		'0'		9	8	7	6	5	4	3	2	1
1x12x10x32			24	23	22	21	20	19	18	17	16	15	14	13	12			24		'0'	11	10	9	8	7	6	5	4	3	2

Table 6-7. External to Internal Address Mapping for Normal Bank Addressing (Sheet 2 of 3)

# Bits Bank x Row x Col x Data	External Address pins at SDRAM RAS Time MA<24:10>											External Address pins at SDRAM CAS Time MA<24:10>																					
	24	23	22	21	20	19	18	17	16	15	14	13	12	11	10	24	23	22	21	20	19	18	17	16	15	14	13	12	11	10			
1x12x10x16			23	22	21	20	19	18	17	16	15	14	13	12	11			23	'0'	10	9	8	7	6	5	4	3	2	1				
1x12x11x32			25	24	23	22	21	20	19	18	17	16	15	14	13			25	12	'0'	11	10	9	8	7	6	5	4	3	2			
1x12x11x16			24	23	22	21	20	19	18	17	16	15	14	13	12			24	11	'0'	10	9	8	7	6	5	4	3	2	1			
1x13x8x32		23	22	21	20	19	18	17	16	15	14	13	12	11	10			23		'0'			9	8	7	6	5	4	3	2			
1x13x8x16		22	21	20	19	18	17	16	15	14	13	12	11	10	9			22		'0'			8	7	6	5	4	3	2	1			
1x13x9x32		24	23	22	21	20	19	18	17	16	15	14	13	12	11			24		'0'		10	9	8	7	6	5	4	3	2			
1x13x9x16		23	22	21	20	19	18	17	16	15	14	13	12	11	10			23		'0'		9	8	7	6	5	4	3	2	1			
1x13x10x32			25	24	23	22	21	20	19	18	17	16	15	14	13	12			25		'0'	11	10	9	8	7	6	5	4	3	2		
1x13x10x16			24	23	22	21	20	19	18	17	16	15	14	13	12	11			24		'0'	10	9	8	7	6	5	4	3	2	1		
1x13x11x32		13	26	25	24	23	22	21	20	19	18	17	16	15	14			13		12	'0'	11	10	9	8	7	6	5	4	3	2		
1x13x11x16			25	24	23	22	21	20	19	18	17	16	15	14	13	12			25		11	'0'	10	9	8	7	6	5	4	3	2	1	
2x11x8x32			22	21	20	19	18	17	16	15	14	13	12	11	10				22	21	'0'			9	8	7	6	5	4	3	2		
2x11x8x16			21	20	19	18	17	16	15	14	13	12	11	10	9				21	20	'0'			8	7	6	5	4	3	2	1		
2x11x9x32			23	22	21	20	19	18	17	16	15	14	13	12	11				23	22	'0'		10	9	8	7	6	5	4	3	2		
2x11x9x16			22	21	20	19	18	17	16	15	14	13	12	11	10				22	21	'0'		9	8	7	6	5	4	3	2	1		
2x11x10x32			24	23	22	21	20	19	18	17	16	15	14	13	12				24	23	'0'	11	10	9	8	7	6	5	4	3	2		
2x11x10x16			23	22	21	20	19	18	17	16	15	14	13	12	11				23	22	'0'	10	9	8	7	6	5	4	3	2	1		
2x11x11x32	NOT VALID (illegal addressing combination)											NOT VALID (illegal addressing combination)																					
2x11x11x16	NOT VALID (illegal addressing combination)											NOT VALID (illegal addressing combination)																					
2x12x8x32		23	22	21	20	19	18	17	16	15	14	13	12	11	10			23	22	'0'			9	8	7	6	5	4	3	2			
2x12x8x16		22	21	20	19	18	17	16	15	14	13	12	11	10	9				22	21	'0'			8	7	6	5	4	3	2	1		
2x12x9x32		24	23	22	21	20	19	18	17	16	15	14	13	12	11				24	23	'0'		10	9	8	7	6	5	4	3	2		
2x12x9x16		23	22	21	20	19	18	17	16	15	14	13	12	11	10				23	22	'0'		9	8	7	6	5	4	3	2	1		
2x12x10x32			25	24	23	22	21	20	19	18	17	16	15	14	13	12				25	24	'0'	11	10	9	8	7	6	5	4	3	2	
2x12x10x16			24	23	22	21	20	19	18	17	16	15	14	13	12	11				24	23	'0'	10	9	8	7	6	5	4	3	2	1	
2x12x11x32			26	25	24	23	22	21	20	19	18	17	16	15	14	13				26	25	12	'0'	11	10	9	8	7	6	5	4	3	2
2x12x11x16			25	24	23	22	21	20	19	18	17	16	15	14	13	12				25	24	11	'0'	10	9	8	7	6	5	4	3	2	1

Table 6-7. External to Internal Address Mapping for Normal Bank Addressing (Sheet 3 of 3)

# Bits Bank x Row x Col x Data	External Address pins at SDRAM RAS Time MA<24:10>														External Address pins at SDRAM CAS Time MA<24:10>															
	24	23	22	21	20	19	18	17	16	15	14	13	12	11	10	24	23	22	21	20	19	18	17	16	15	14	13	12	11	10
2x13x8x32	24	23	22	21	20	19	18	17	16	15	14	13	12	11	10	24	23			'0'			9	8	7	6	5	4	3	2
2x13x8x16	23	22	21	20	19	18	17	16	15	14	13	12	11	10	9	23	22			'0'			8	7	6	5	4	3	2	1
2x13x9x32	25	24	23	22	21	20	19	18	17	16	15	14	13	12	11	25	24			'0'		10	9	8	7	6	5	4	3	2
2x13x9x16	24	23	22	21	20	19	18	17	16	15	14	13	12	11	10	24	23			'0'		9	8	7	6	5	4	3	2	1
2x13x10x32	NOT VALID (too big)														NOT VALID (too big)															
2x13x10x16	25	24	23	22	21	20	19	18	17	16	15	14	13	12	11	25	24			'0'	10	9	8	7	6	5	4	3	2	1
2x13x11x32	NOT VALID (too big)														NOT VALID (too big)															
2x13x11x16	NOT VALID (too big)														NOT VALID (too big)															

Table 6-8. External to Internal Address Mapping for SA-1111 Addressing (Sheet 1 of 3)

# Bits Bank x Row x Col x Data	External Address pins at SDRAM RAS Time MA<24:10>														External Address pins at SDRAM CAS Time MA<24:10>															
	24	23	22	21	20	19	18	17	16	15	14	13	12	11	10	24	23	22	21	20	19	18	17	16	15	14	13	12	11	10
1x11x8x32				21	20	19	18	17	16	15	14	13	12	11	10				21	'0'			9	8	7	6	5	4	3	2
1x11x8x16	NOT VALID (illegal addressing combination)														NOT VALID (illegal addressing combination)															
1x11x9x32				21	20	19	18	17	16	15	14	13	12	11	10				21	'0'	22	9	8	7	6	5	4	3	2	
1x11x9x16				21	20	19	18	17	16	15	14	13	12	11	10				21	'0'	9	8	7	6	5	4	3	2	1	
1x11x10x32				21	20	19	18	17	16	15	14	13	12	11	10				21	'0'	23	22	9	8	7	6	5	4	3	2
1x11x10x16				21	20	19	18	17	16	15	14	13	12	11	10				21	'0'	22	9	8	7	6	5	4	3	2	1
1x11x11x32	NOT VALID (illegal addressing combination)														NOT VALID (illegal addressing combination)															
1x11x11x16	NOT VALID (illegal addressing combination)														NOT VALID (illegal addressing combination)															
1x12x8x32			22	21	20	19	18	17	16	15	14	13	12	11	10				21	'0'			9	8	7	6	5	4	3	2
1x12x8x16	NOT VALID (illegal addressing combination)														NOT VALID (illegal addressing combination)															
1x12x9x32			22	21	20	19	18	17	16	15	14	13	12	11	10				21	'0'	23	9	8	7	6	5	4	3	2	
1x12x9x16			22	21	20	19	18	17	16	15	14	13	12	11	10				21	'0'	9	8	7	6	5	4	3	2	1	
1x12x10x32			22	21	20	19	18	17	16	15	14	13	12	11	10				21	'0'	24	23	9	8	7	6	5	4	3	2

Table 6-8. External to Internal Address Mapping for SA-1111 Addressing (Sheet 2 of 3)

# Bits Bank x Row x Col x Data	External Address pins at SDRAM RAS Time MA<24:10>											External Address pins at SDRAM CAS Time MA<24:10>																			
	24	23	22	21	20	19	18	17	16	15	14	13	12	11	10	24	23	22	21	20	19	18	17	16	15	14	13	12	11	10	
1x12x10x16			22	21	20	19	18	17	16	15	14	13	12	11	10				21	'0'	23	9	8	7	6	5	4	3	2	1	
1x12x11x32	NOT VALID (illegal addressing combination)											NOT VALID (illegal addressing combination)																			
1x12x11x16	NOT VALID (illegal addressing combination)											NOT VALID (illegal addressing combination)																			
1x13x8x32	23	22	21	20	19	18	17	16	15	14	13	12	11	10				21	'0'			9	8	7	6	5	4	3	2		
1x13x8x16	NOT VALID (illegal addressing combination)											NOT VALID (illegal addressing combination)																			
1x13x9x32	23	22	21	20	19	18	17	16	15	14	13	12	11	10				21	'0'		24	9	8	7	6	5	4	3	2		
1x13x9x16	23	22	21	20	19	18	17	16	15	14	13	12	11	10				21	'0'		9	8	7	6	5	4	3	2	1		
1x13x10x32	23	22	21	20	19	18	17	16	15	14	13	12	11	10				21	'0'	25	24	9	8	7	6	5	4	3	2		
1x13x10x16	23	22	21	20	19	18	17	16	15	14	13	12	11	10				21	'0'	24	9	8	7	6	5	4	3	2	1		
1x13x11x32	NOT VALID (illegal addressing combination)											NOT VALID (illegal addressing combination)																			
1x13x11x16	NOT VALID (illegal addressing combination)											NOT VALID (illegal addressing combination)																			
2x11x8x32			22	21	20	19	18	17	16	15	14	13	12	11	10				22	21	'0'			9	8	7	6	5	4	3	2
2x11x8x16	NOT VALID (illegal addressing combination)											NOT VALID (illegal addressing combination)																			
2x11x9x32			22	21	20	19	18	17	16	15	14	13	12	11	10				22	21	'0'		23	9	8	7	6	5	4	3	2
2x11x9x16			22	21	20	19	18	17	16	15	14	13	12	11	10				22	21	'0'		9	8	7	6	5	4	3	2	1
2x11x10x32			22	21	20	19	18	17	16	15	14	13	12	11	10				22	21	'0'	24	23	9	8	7	6	5	4	3	2
2x11x10x16			22	21	20	19	18	17	16	15	14	13	12	11	10				22	21	'0'	23	9	8	7	6	5	4	3	2	1
2x11x11x32	NOT VALID (illegal addressing combination)											NOT VALID (illegal addressing combination)																			
2x11x11x16	NOT VALID (illegal addressing combination)											NOT VALID (illegal addressing combination)																			
2x12x8x32	23	22	21	20	19	18	17	16	15	14	13	12	11	10	23	22		'0'				9	8	7	6	5	4	3	2		
2x12x8x16	NOT VALID (illegal addressing combination)											NOT VALID (illegal addressing combination)																			
2x12x9x32	23	22	21	20	19	18	17	16	15	14	13	12	11	10	23	22		'0'		24	9	8	7	6	5	4	3	2			
2x12x9x16	23	22	21	20	19	18	17	16	15	14	13	12	11	10	23	22		'0'		9	8	7	6	5	4	3	2	1			
2x12x10x32	23	22	21	20	19	18	17	16	15	14	13	12	11	10	23	22		'0'	25	24	9	8	7	6	5	4	3	2			
2x12x10x16	23	22	21	20	19	18	17	16	15	14	13	12	11	10	23	22		'0'	24	9	8	7	6	5	4	3	2	1			
2x12x11x32	NOT VALID (illegal addressing combination)											NOT VALID (illegal addressing combination)																			
2x12x11x16	NOT VALID (illegal addressing combination)											NOT VALID (illegal addressing combination)																			

Table 6-8. External to Internal Address Mapping for SA-1111 Addressing (Sheet 3 of 3)

# Bits Bank x Row x Col x Data	External Address pins at SDRAM RAS Time MA<24:10>											External Address pins at SDRAM CAS Time MA<24:10>																	
	24	23	22	21	20	19	18	17	16	15	14	13	12	11	10	24	23	22	21	20	19	18	17	16	15	14	13	12	11
2x13x8x32	24	23	22	21	20	19	18	17	16	15	14	13	12	11	10	23	22		'0'			9	8	7	6	5	4	3	2
2x13x8x16	NOT VALID (illegal addressing combination)											NOT VALID (illegal addressing combination)																	
2x13x9x32	24	23	22	21	20	19	18	17	16	15	14	13	12	11	10	23	22		'0'	25	9	8	7	6	5	4	3	2	
2x13x9x16	24	23	22	21	20	19	18	17	16	15	14	13	12	11	10	23	22		'0'	9	8	7	6	5	4	3	2	1	
2x13x10x32	NOT VALID (too big)											NOT VALID (too big)																	
2x13x10x16	24	23	22	21	20	19	18	17	16	15	14	13	12	11	10	23	22		'0'	25	9	8	7	6	5	4	3	2	1
2x13x11x32	NOT VALID (too big)											NOT VALID (too big)																	
2x13x11x16	NOT VALID (too big)											NOT VALID (too big)																	

Use the information below to connect the processor to the SDRAM devices. Some of the addressing combinations may not apply in SA1111 addressing mode. See [Table 6-10](#) for a complete listing of supported addressing combinations and how to connect the PXA255 processor to the SA1111.

Table 6-9. Pin Mapping to SDRAM Devices with Normal Bank Addressing (Sheet 1 of 3)

# Bits Bank x Row x Col x Data	Pin mapping to SDRAM devices for Normal Addressing. MA[24:10] represent the address signals driven from the processor.														
	MA24	MA23	MA22	MA21	MA20	MA19	MA18	MA17	MA16	MA15	MA14	MA13	MA12	MA11	MA10
1x11x8x32				BA0	A10	A9	A8	A7	A6	A5	A4	A3	A2	A1	A0
1x11x8x16				BA0	A10	A9	A8	A7	A6	A5	A4	A3	A2	A1	A0
1x11x9x32				BA0	A10	A9	A8	A7	A6	A5	A4	A3	A2	A1	A0
1x11x9x16				BA0	A10	A9	A8	A7	A6	A5	A4	A3	A2	A1	A0
1x11x10x32				BA0	A10	A9	A8	A7	A6	A5	A4	A3	A2	A1	A0
1x11x10x16				BA0	A10	A9	A8	A7	A6	A5	A4	A3	A2	A1	A0
1x11x11x32	NOT VALID (illegal addressing combination)														
1x11x11x16	NOT VALID (illegal addressing combination)														
1x12x8x32			BA0	A11	A10	A9	A8	A7	A6	A5	A4	A3	A2	A1	A0
1x12x8x16			BA0	A11	A10	A9	A8	A7	A6	A5	A4	A3	A2	A1	A0
1x12x9x32			BA0	A11	A10	A9	A8	A7	A6	A5	A4	A3	A2	A1	A0

Table 6-9. Pin Mapping to SDRAM Devices with Normal Bank Addressing (Sheet 2 of 3)

# Bits Bank x Row x Col x Data	Pin mapping to SDRAM devices for Normal Addressing. MA[24:10] represent the address signals driven from the processor.														
	MA24	MA23	MA22	MA21	MA20	MA19	MA18	MA17	MA16	MA15	MA14	MA13	MA12	MA11	MA10
1x12x9x16			BA0	A11	A10	A9	A8	A7	A6	A5	A4	A3	A2	A1	A0
1x12x10x32			BA0	A11	A10	A9	A8	A7	A6	A5	A4	A3	A2	A1	A0
1x12x10x16			BA0	A11	A10	A9	A8	A7	A6	A5	A4	A3	A2	A1	A0
1x12x11x32			BA0	A11	A10	A9	A8	A7	A6	A5	A4	A3	A2	A1	A0
1x12x11x16			BA0	A11	A10	A9	A8	A7	A6	A5	A4	A3	A2	A1	A0
1x13x8x32		BA0	A12	A11	A10	A9	A8	A7	A6	A5	A4	A3	A2	A1	A0
1x13x8x16		BA0	A12	A11	A10	A9	A8	A7	A6	A5	A4	A3	A2	A1	A0
1x13x9x32		BA0	A12	A11	A10	A9	A8	A7	A6	A5	A4	A3	A2	A1	A0
1x13x9x16		BA0	A12	A11	A10	A9	A8	A7	A6	A5	A4	A3	A2	A1	A0
1x13x10x32		BA0	A12	A11	A10	A9	A8	A7	A6	A5	A4	A3	A2	A1	A0
1x13x10x16		BA0	A12	A11	A10	A9	A8	A7	A6	A5	A4	A3	A2	A1	A0
1x13x11x32		BA0	A12	A11	A10	A9	A8	A7	A6	A5	A4	A3	A2	A1	A0
1x13x11x16		BA0	A12	A11	A10	A9	A8	A7	A6	A5	A4	A3	A2	A1	A0
2x11x8x32			BA1	BA0	A10	A9	A8	A7	A6	A5	A4	A3	A2	A1	A0
2x11x8x16			BA1	BA0	A10	A9	A8	A7	A6	A5	A4	A3	A2	A1	A0
2x11x9x32			BA1	BA0	A10	A9	A8	A7	A6	A5	A4	A3	A2	A1	A0
2x11x9x16			BA1	BA0	A10	A9	A8	A7	A6	A5	A4	A3	A2	A1	A0
2x11x10x32			BA1	BA0	A10	A9	A8	A7	A6	A5	A4	A3	A2	A1	A0
2x11x10x16			BA1	BA0	A10	A9	A8	A7	A6	A5	A4	A3	A2	A1	A0
2x11x11x32	NOT VALID (illegal addressing combination)														
2x11x11x16	NOT VALID (illegal addressing combination)														
2x12x8x32		BA1	BA0	A11	A10	A9	A8	A7	A6	A5	A4	A3	A2	A1	A0
2x12x8x16		BA1	BA0	A11	A10	A9	A8	A7	A6	A5	A4	A3	A2	A1	A0
2x12x9x32		BA1	BA0	A11	A10	A9	A8	A7	A6	A5	A4	A3	A2	A1	A0
2x12x9x16		BA1	BA0	A11	A10	A9	A8	A7	A6	A5	A4	A3	A2	A1	A0
2x12x10x32		BA1	BA0	A11	A10	A9	A8	A7	A6	A5	A4	A3	A2	A1	A0
2x12x10x16		BA1	BA0	A11	A10	A9	A8	A7	A6	A5	A4	A3	A2	A1	A0

Table 6-9. Pin Mapping to SDRAM Devices with Normal Bank Addressing (Sheet 3 of 3)

# Bits Bank x Row x Col x Data	Pin mapping to SDRAM devices for Normal Addressing. MA[24:10] represent the address signals driven from the processor.														
	MA24	MA23	MA22	MA21	MA20	MA19	MA18	MA17	MA16	MA15	MA14	MA13	MA12	MA11	MA10
2x12x11x32		BA1	BA0	A11	A10	A9	A8	A7	A6	A5	A4	A3	A2	A1	A0
2x12x11x16		BA1	BA0	A11	A10	A9	A8	A7	A6	A5	A4	A3	A2	A1	A0
2x13x8x32	BA1	BA0	A12	A11	A10	A9	A8	A7	A6	A5	A4	A3	A2	A1	A0
2x13x8x16	BA1	BA0	A12	A11	A10	A9	A8	A7	A6	A5	A4	A3	A2	A1	A0
2x13x9x32	BA1	BA0	A12	A11	A10	A9	A8	A7	A6	A5	A4	A3	A2	A1	A0
2x13x9x16	BA1	BA0	A12	A11	A10	A9	A8	A7	A6	A5	A4	A3	A2	A1	A0
2x13x10x32	NOT VALID (too big)														
2x13x10x16	BA1	BA0	A12	A11	A10	A9	A8	A7	A6	A5	A4	A3	A2	A1	A0
2x13x11x32	NOT VALID (too big)														
2x13x11x16	NOT VALID (too big)														

Table 6-10. Pin Mapping to SDRAM Devices with SA1111 Addressing (Sheet 1 of 3)

# Bits Bank x Row x Col x Data	Pin mapping to SDRAM devices for SA1111 Addressing Options. MA[24:10] represent the address signals driven from the PXA255 processor.														
	MA24	MA23	MA22	MA21	MA20	MA19	MA18	MA17	MA16	MA15	MA14	MA13	MA12	MA11	MA10
1x11x8x32				BA0	A10	A9	A8	A7	A6	A5	A4	A3	A2	A1	A0
1x11x8x16	NOT VALID (illegal addressing combination)														
1x11x9x32				BA0	A10	A9	A8	A7	A6	A5	A4	A3	A2	A1	A0
1x11x9x16				BA0	A10	A9	A8	A7	A6	A5	A4	A3	A2	A1	A0
1x11x10x32				BA0	A10	A9	A8	A7	A6	A5	A4	A3	A2	A1	A0
1x11x10x16				BA0	A10	A9	A8	A7	A6	A5	A4	A3	A2	A1	A0
1x11x11x32	NOT VALID (illegal addressing combination)														
1x11x11x16	NOT VALID (illegal addressing combination)														
1x12x8x32			A11	BA0	A10	A9	A8	A7	A6	A5	A4	A3	A2	A1	A0
1x12x8x16	NOT VALID (illegal addressing combination)														
1x12x9x32			A11	BA0	A10	A9	A8	A7	A6	A5	A4	A3	A2	A1	A0

Table 6-10. Pin Mapping to SDRAM Devices with SA1111 Addressing (Sheet 2 of 3)

# Bits Bank x Row x Col x Data	Pin mapping to SDRAM devices for SA1111 Addressing Options. MA[24:10] represent the address signals driven from the PXA255 processor.														
	MA24	MA23	MA22	MA21	MA20	MA19	MA18	MA17	MA16	MA15	MA14	MA13	MA12	MA11	MA10
1x12x9x16			A11	BA0	A10	A9	A8	A7	A6	A5	A4	A3	A2	A1	A0
1x12x10x32			A11	BA0	A10	A9	A8	A7	A6	A5	A4	A3	A2	A1	A0
1x12x10x16			A11	BA0	A10	A9	A8	A7	A6	A5	A4	A3	A2	A1	A0
1x12x11x32	NOT VALID (illegal addressing combination)														
1x12x11x16	NOT VALID (illegal addressing combination)														
1x13x8x32		A12	A11	BA0	A10	A9	A8	A7	A6	A5	A4	A3	A2	A1	A0
1x13x8x16	NOT VALID (illegal addressing combination)														
1x13x9x32		A12	A11	BA0	A10	A9	A8	A7	A6	A5	A4	A3	A2	A1	A0
1x13x9x16		A12	A11	BA0	A10	A9	A8	A7	A6	A5	A4	A3	A2	A1	A0
1x13x10x32		A12	A11	BA0	A10	A9	A8	A7	A6	A5	A4	A3	A2	A1	A0
1x13x10x16		A12	A11	BA0	A10	A9	A8	A7	A6	A5	A4	A3	A2	A1	A0
1x13x11x32	NOT VALID (illegal addressing combination)														
1x13x11x16	NOT VALID (illegal addressing combination)														
2x11x8x32			BA1	BA0	A10	A9	A8	A7	A6	A5	A4	A3	A2	A1	A0
2x11x8x16	NOT VALID (illegal addressing combination)														
2x11x9x32			BA1	BA0	A10	A9	A8	A7	A6	A5	A4	A3	A2	A1	A0
2x11x9x16			BA1	BA0	A10	A9	A8	A7	A6	A5	A4	A3	A2	A1	A0
2x11x10x32			BA1	BA0	A10	A9	A8	A7	A6	A5	A4	A3	A2	A1	A0
2x11x10x16			BA1	BA0	A10	A9	A8	A7	A6	A5	A4	A3	A2	A1	A0
2x11x11x32	NOT VALID (illegal addressing combination)														
2x11x11x16	NOT VALID (illegal addressing combination)														
2x12x8x32		BA1	BA0	A11	A10	A9	A8	A7	A6	A5	A4	A3	A2	A1	A0
2x12x8x16	NOT VALID (illegal addressing combination)														
2x12x9x32		BA1	BA0	A11	A10	A9	A8	A7	A6	A5	A4	A3	A2	A1	A0
2x12x9x16		BA1	BA0	A11	A10	A9	A8	A7	A6	A5	A4	A3	A2	A1	A0
2x12x10x32		BA1	BA0	A11	A10	A9	A8	A7	A6	A5	A4	A3	A2	A1	A0
2x12x10x16		BA1	BA0	A11	A10	A9	A8	A7	A6	A5	A4	A3	A2	A1	A0

Table 6-10. Pin Mapping to SDRAM Devices with SA1111 Addressing (Sheet 3 of 3)

# Bits Bank x Row x Col x Data	Pin mapping to SDRAM devices for SA1111 Addressing Options. MA[24:10] represent the address signals driven from the PXA255 processor.														
	MA24	MA23	MA22	MA21	MA20	MA19	MA18	MA17	MA16	MA15	MA14	MA13	MA12	MA11	MA10
2x12x11x32	NOT VALID (illegal addressing combination)														
2x12x11x16	NOT VALID (illegal addressing combination)														
2x13x8x32	A12	BA1	BA0	A11	A10	A9	A8	A7	A6	A5	A4	A3	A2	A1	A0
2x13x8x16	NOT VALID (illegal addressing combination)														
2x13x9x32	A12	BA1	BA0	A11	A10	A9	A8	A7	A6	A5	A4	A3	A2	A1	A0
2x13x9x16	A12	BA1	BA0	A11	A10	A9	A8	A7	A6	A5	A4	A3	A2	A1	A0
2x13x10x32	NOT VALID (too big)														
2x13x10x16	A12	BA1	BA0	A11	A10	A9	A8	A7	A6	A5	A4	A3	A2	A1	A0
2x13x11x32	NOT VALID (too big)														
2x13x11x16	NOT VALID (too big)														

6.5.6 SDRAM Command Overview

The processor accesses SDRAM with the following subset of standard interface commands:

- Mode Register Set (MRS)
- Bank Activate (ACT)
- Read (READ)
- Write (WRITE)
- Pre-charge All Banks (PALL)
- Pre-charge One Bank (PRE)
- Auto-Refresh (CBR)
- Power-Down (PWRDN)
- Enter Self-Refresh (SLFRSH)
- Exit Power-Down (PWRDNX)
- No Operation (NOP)

Table 6-11 shows the SDRAM interface commands. The table assumes the bank bits for the SDRAM are sent out on external address lines MA<24:23>.

Table 6-11. SDRAM Command Encoding

Command	Pins										
	SDCKE (at clk n-1)	SDCKE (at clk n)	nSDCS 3:0	nSDRAS	nSDCAS	nWE	DQM 3:0	MA <24:10>			
								24:23	22:21	20	19:10
PWRDN	1	0	1	1	1	1	1	x			
PWRDNX	0	1	1	1	1	1	1	x			
SLFRSH	1	0	0	0	0	1	0	x			
CBR	1	1	0	0	0	1	x	x			
MRS	1	x	0	0	0	0	0	OP code			
ACT	1	x	0	0	1	1	x	bank	row		
READ	1	x	0	1	0	1	0	bank	col	0	col
WRITE	1	x	0	1	0	0	mask	bank	col	0	col
PALL PRE	All	x	0	0	1	0	x	x	x	1	x
	Bank							bank		0	
NOP	1	x	1	x	x	x	x	x			
			0	1	1	1					

The programmable opcode for address bits MA<24:17> used during the mode-register set command (MRS) is exactly what is programmed in the MDMRS register.

Table 6-12. SDRAM Mode Register Opcode Table

Address Bits	Option	Value
MA<24:17>	reserved	MDMRSx
MA[16:14]	CAS Latency = 2	010
	CAS Latency = 3	011
MA[13]	Sequential Burst	0
MA[12:10]	Burst Length = 4	010

6.5.7 SDRAM Waveforms

Normal operation of the SDRAM controller is shown in [Figure 6-5](#) through [Figure 6-11](#).

Figure 6-5. Basic SDRAM Timing Parameters

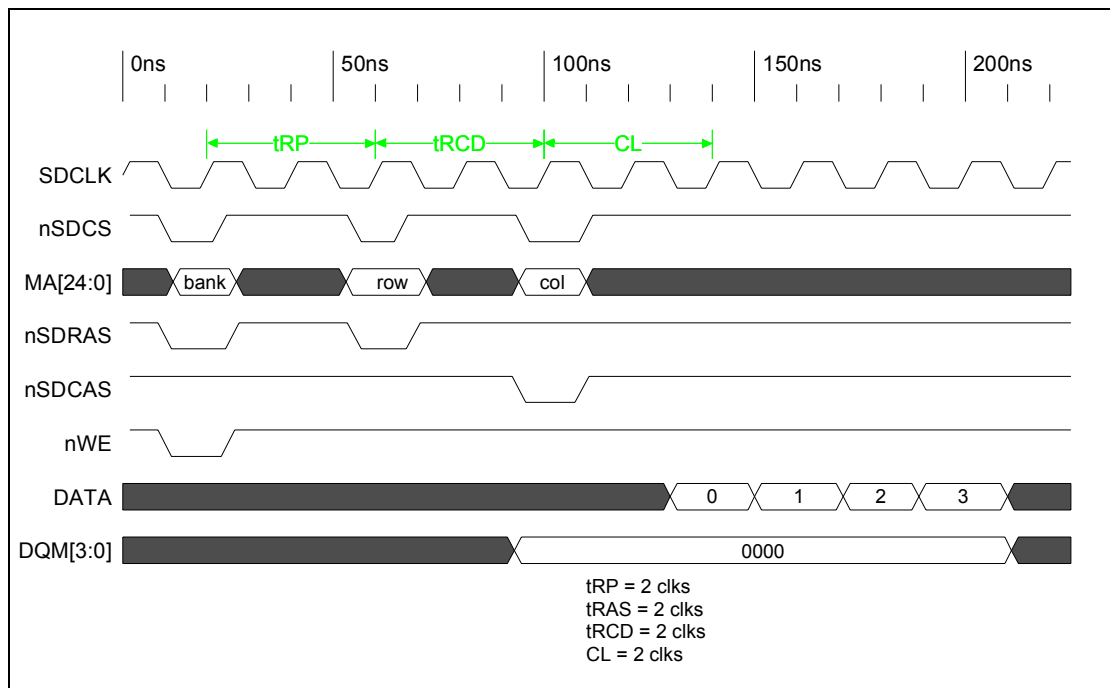


Figure 6-6. SDRAM_Read_diffbank_diffrow

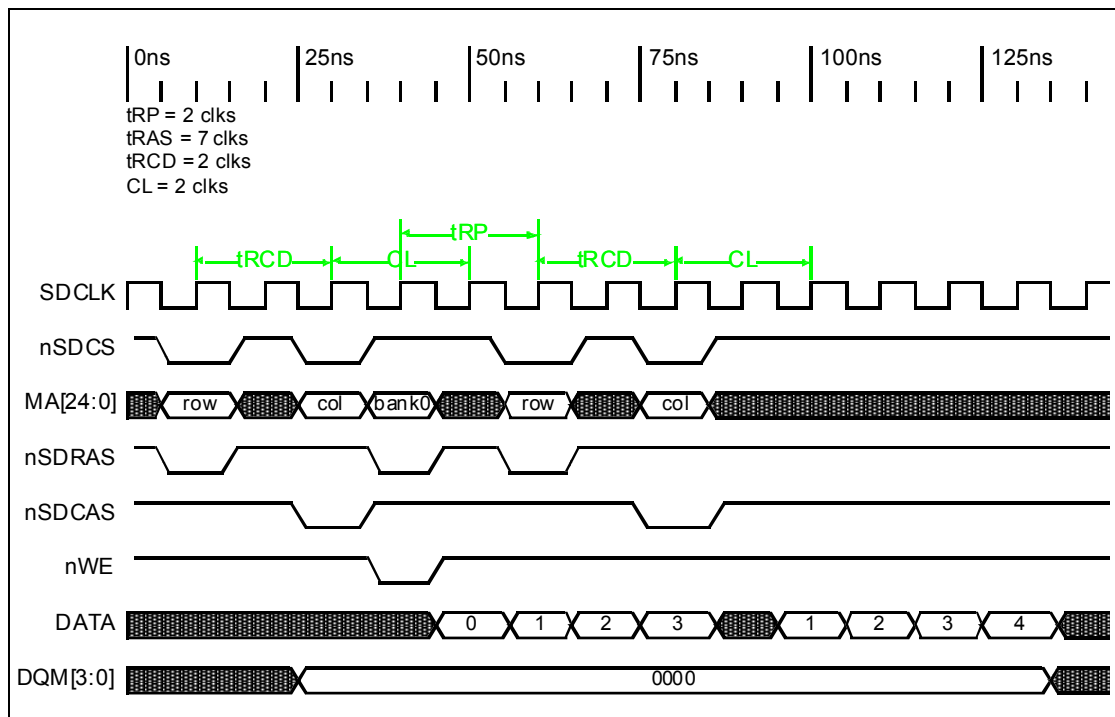


Figure 6-7. SDRAM_read_samebank_diffrow

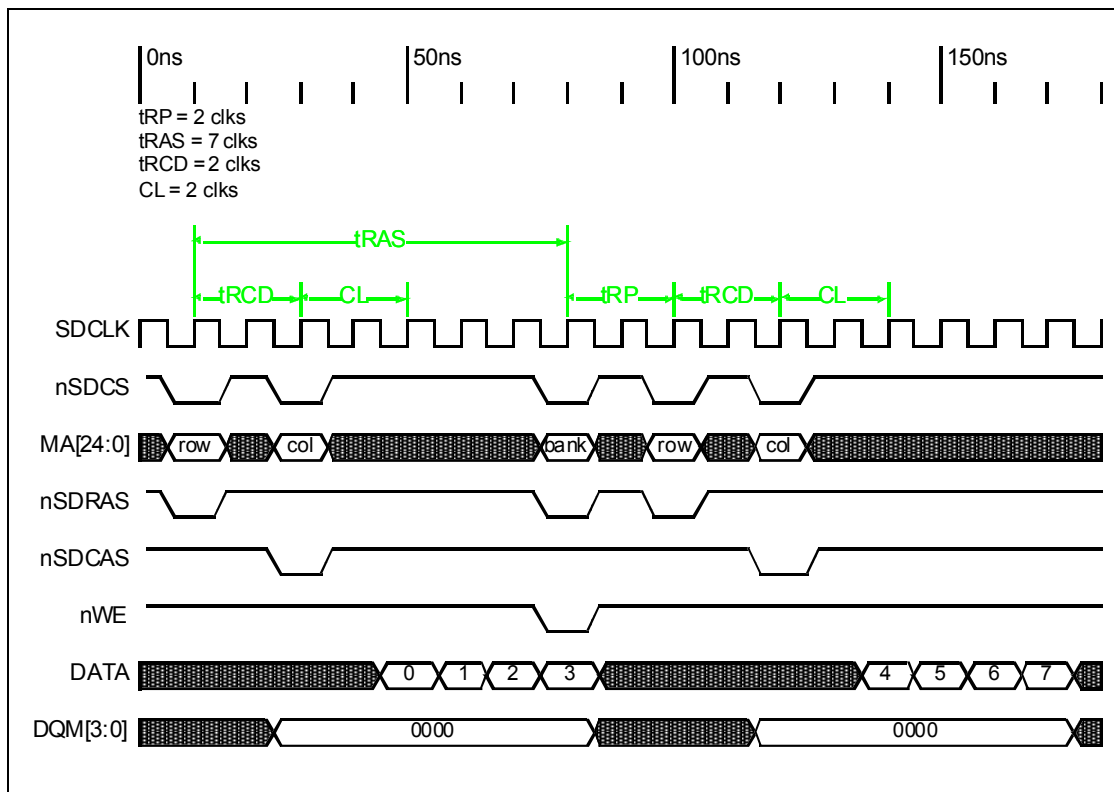


Figure 6-8. SDRAM_read_samebank_samerow

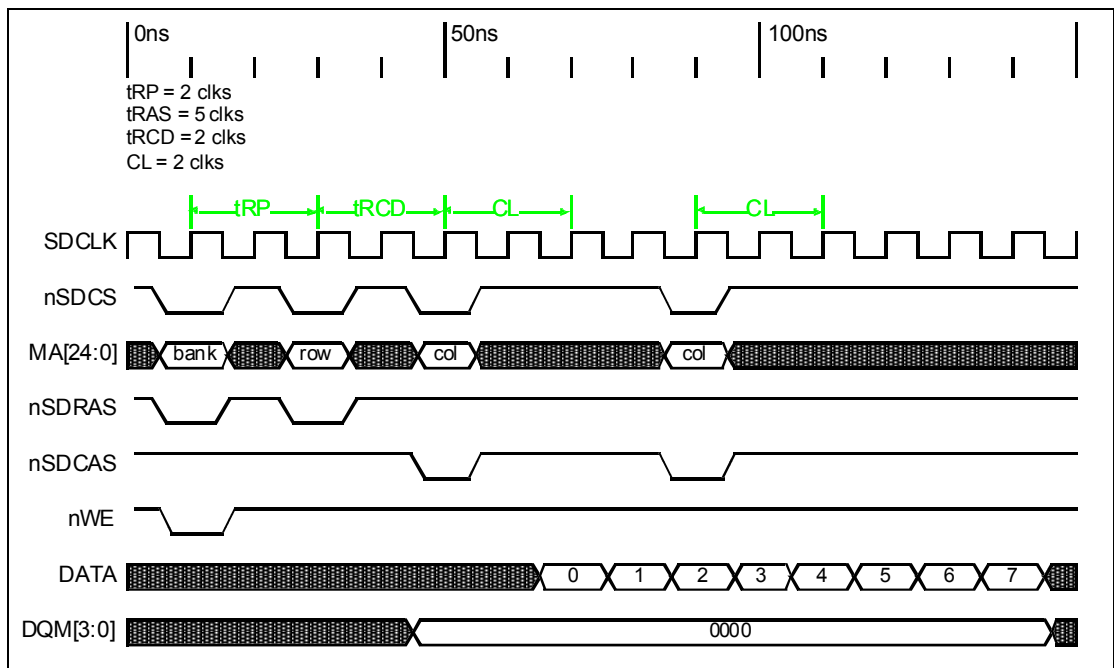


Figure 6-9. SDRAM_write

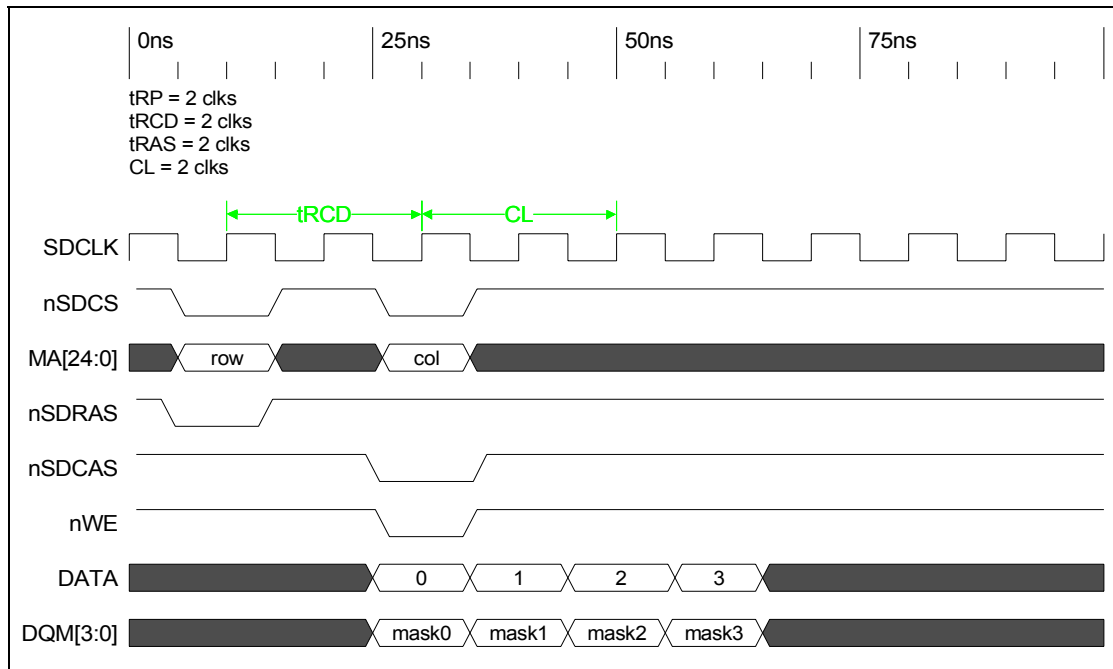


Figure 6-10. SDRAM 4-Beat Read/ 4-Beat Write To Different Partitions

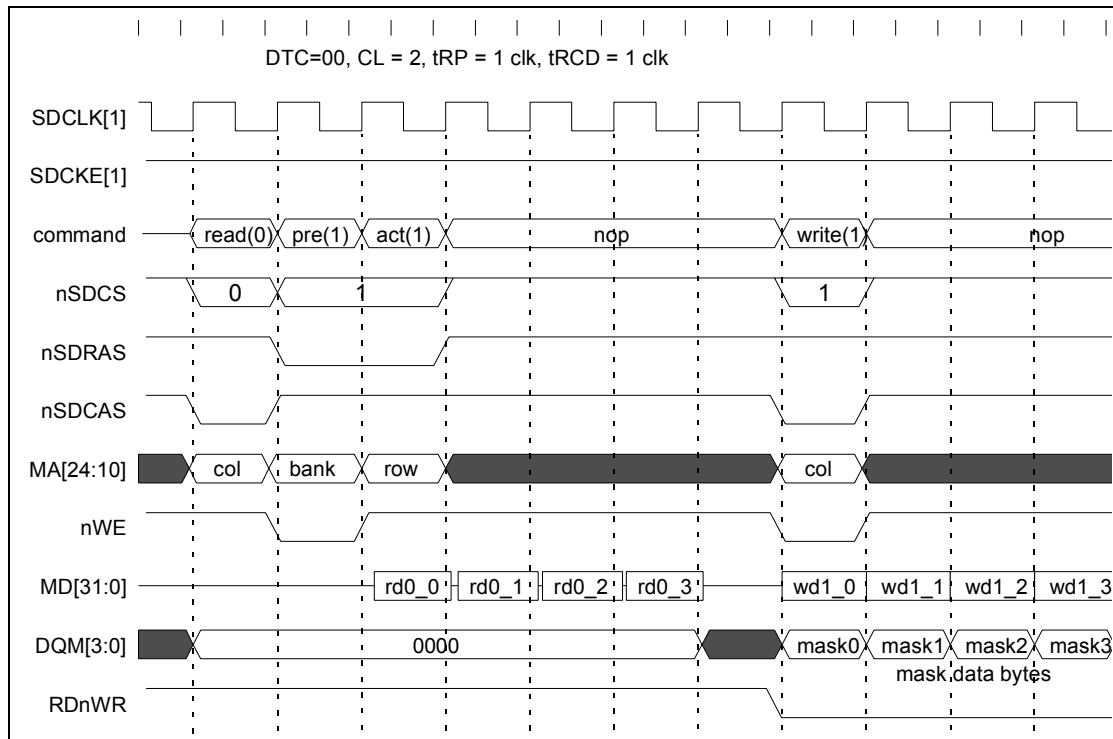
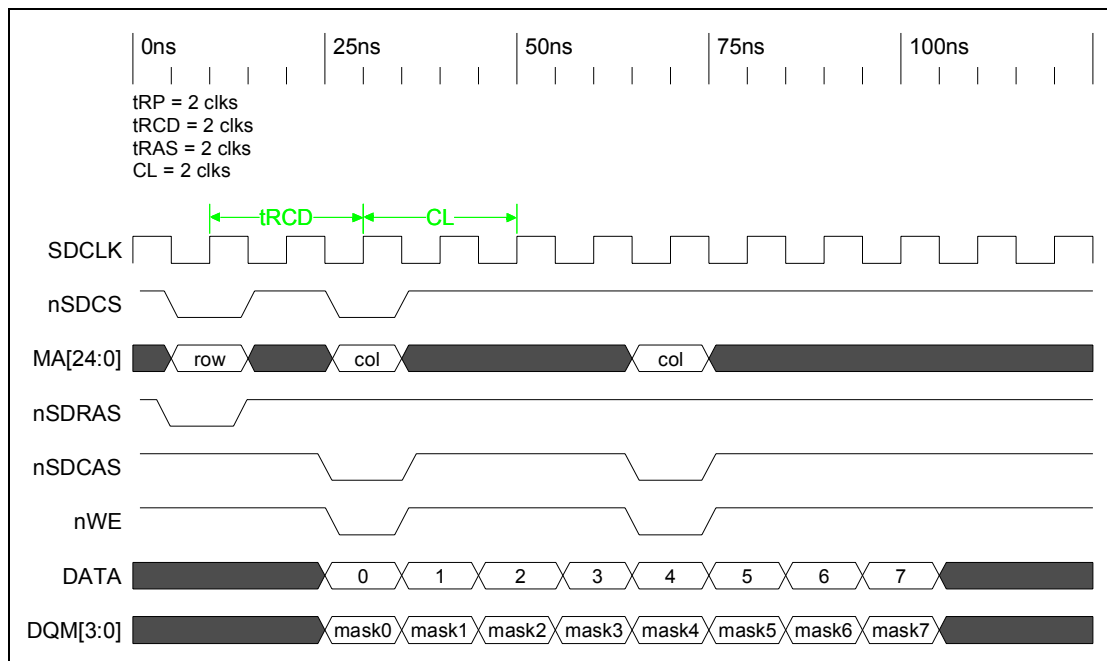


Figure 6-11. SDRAM 4-Beat Write / 4-Write Same Bank, Same Row



6.6 Synchronous Static Memory Interface

The synchronous static memory interface supports SMROM and non-SDRAM-like Flash memories. The synchronous static memory can be configured for any of the $nCS[3:0]$ signals. Chip Select 0 must be used for boot memory. Synchronous static memories in bank pairs 1/0 or 3/2 must be set to the same timing.

If any of the $nCS[3:0]$ banks are configured for Synchronous Static Memory via $SXC�FG[SXEN_x]$, the corresponding half-words of MSC0 (see Section 6.7.3) and MSC1, except the data width in $MSC_x[RBW_x]$, are ignored.

6.6.1 Synchronous Static Memory Configuration Register (SXC�FG)

SXC�FG controls all synchronous static memory. $SXC�FG[15:0]$ configures chip select signals 0 and 1. $SXC�FG[31:16]$ configures chip select signals 2 and 3.

This is a read/write register. Ignore reads from reserved bits. Write zeros to reserved bits.

Table 6-13. SXCNFG Bit Definitions (Sheet 1 of 4)

0x4800_001C										SXCNFG					Memory Controller																	
Bit	31	30	29	28	27	26	25	24	23	22	21	20	19	18	17	16	15	14	13	12	11	10	9	8	7	6	5	4	3	2	1	0
	reserved	SXLATCH2	SXTP2	SXCA2	SXRA2			SXRL2	SXCL2	SXEN2	reserved	SXLATCH0	SXTP0	SXCA0	SXRA0			SXRL0	SXCL0	SXEN0												
Reset	0	0	0	0	0	0	0	0	0	0	0	0	0	0	0	0	0	*	*	*	*	*	*	*	*	*	*	*	*	*	0	*
Bits	Name		Description																													
31	—		reserved																													
30	SXLATCH2		SXMEM latching scheme for pair 2/3 0 – Latch return data with fixed delay on MEMCLK 1 – Latch return data with return clock Must be set to a 1 to enable the return clock SDCLK for latching data. For more details on this return data latching, see Section 6.5.4 .																													
29:28	SXTP2		SX Memory type for partition pair 2/3 00 – Synchronous Mask ROM (SMROM) 01 – reserved 10 – non-SDRAM-like Synchronous Flash 11 – reserved																													
27:26	SXCA2		SX Memory column address bit count for partition pair 2/3 00 – 7 column address bits 01 – 8 column address bits 10 – 9 column address bits 11 – 10 column address bits																													
25:24	SXRA2		SX Memory row address bit count for partition pair 2/3 00 – 12 row address bits 01 – 13 row address bits 10 – reserved 11 – reserved																													
23:21	SXRL2		RAS Latency for SX Memory partition pair 2/3. Number of external SDCLK cycles between receiving the ACT command and the READ command. The unit size for SXRL2 is the external SDCLK cycle. IF SXTP2 = “00” (SMROM): 000 – 1 clock 001 – 2 clocks 010 – 3 clocks 011 – 4 clocks 100 – 5 clocks 101 – 6 clocks 110 – 7 clocks 111 – 8 clocks IF SXTP2 = 10 (non-SDRAM timing Fast Flash), this field is not used and must be programmed to 111.																													

Table 6-13. SXCNFG Bit Definitions (Sheet 2 of 4)

		0x4800_001C										SXCNFG					Memory Controller																	
Bit		31	30	29	28	27	26	25	24	23	22	21	20	19	18	17	16	15	14	13	12	11	10	9	8	7	6	5	4	3	2	1	0	
		reserved	SXLATCH2	SXTP2	SXCA2	SXRA2			SXRL2	SXCL2	SXEN2	reserved	SXLATCH0	SXTP0	SXCA0	SXRA0			SXRL0	SXCL0	SXEN0													
Reset		0	0	0	0	0	0	0	0	0	0	0	0	0	0	0	0	0	*	*	*	*	*	*	*	*	*	*	*	*	*	*	0	*
Bits	Name	Description																																
20:18	SXCL2	CAS Latency for SX Memory partition pair 2/3 Number of external SDCLK cycles between receiving the READ command and latching the data. The unit size for SXCL2 is the external SDCLK cycle. When SX Memory runs at half the memory clock frequency (MDREFR:K0DB2 = 1), the delay is 2*memclk. When in doubt as to which CAS Latency to use, use the next larger. IF SXTP2 = 00"(SMROM): 000 – reserved 001 – reserved 010 – 3 clocks 011 – 4 clocks 100 – 5 clocks 101 – 6 clocks 110 – reserved 111 – reserved IF SXTP2 = 10 (non-SDRAM timing Fast Flash) 000 – reserved 001 – reserved 010 – 3 clocks 011 – 4 clocks 100 – 5 clocks 101 – 6 clocks 110 – 7 clocks 111 – reserved																																
17:16	SXEN2	Enable Bits for SX Memory Partition 2 (bit 16) and Partition 3 (bit 17) 0 – Partition is not Enabled as SX Memory 1 – Partition is Enabled as SX Memory																																
15	—	reserved																																
14	SXLATCH0	SXMEM latching scheme for pair 0/1 0 – Latch return data with fixed delay on MEMCLK 1 – Latch return data with return clock Must always be written with a 1 to enable the return clock SDCLK for latching data. For more detail on this return data latching, see Section 6.5.4																																
13:12	SXTP0	SX Memory type for partition pair 0/1 00 – Synchronous Mask ROM (SMROM) 01 – reserved 10 – non-SDRAM-like Synchronous Flash 11 – reserved																																

Table 6-13. SXCNFG Bit Definitions (Sheet 3 of 4)

0x4800_001C										SXCNFG					Memory Controller																	
Bit	31	30	29	28	27	26	25	24	23	22	21	20	19	18	17	16	15	14	13	12	11	10	9	8	7	6	5	4	3	2	1	0
	reserved	SXLATCH2	SXTP2	SXCA2	SXRA2			SXRL2	SXCL2		SXEN2	reserved	SXLATCH0	SXTP0	SXCA0	SXRA0			SXRL0	SXCL0		SXEN0										
Reset	0	0	0	0	0	0	0	0	0	0	0	0	0	0	0	0	0	*	*	*	*	*	*	*	*	*	*	*	*	*	0	*

Bits	Name	Description
11:10	SXCA0	SX Memory column address bit count for partition pair 0/1 00 – 7 column address bits 01 – 8 column address bits 10 – 9 column address bits 11 – 10 column address bits
9:8	SXRA0	SX Memory row address bit count for partition pair 0/1 00 – 12 row address bits 01 – 13 row address bits 10 – reserved 11 – reserved
7:5	SXRL0	RAS Latency for Synchronous Static (SX) Memory partition pair 0/1 Number of external SDCLK cycles between reception of the ACT command and reception of the READ command. The unit size for SXRL0 is the external SDCLK cycle. IF SXTP0 = 00 (SMROM): 000 – 1 clock 001 – 2 clocks 010 – 3 clocks 011 – 4 clocks 100 – 5 clocks 101 – 6 clocks 110 – 7 clocks 111 – 8 clocks IF SXTP0 = 10 (non-SDRAM timing Fast Flash), this field is not used and must be programmed to 111

Table 6-13. SXCNFG Bit Definitions (Sheet 4 of 4)

0x4800_001C		SXCNFG										Memory Controller																					
Bit	31	30	29	28	27	26	25	24	23	22	21	20	19	18	17	16	15	14	13	12	11	10	9	8	7	6	5	4	3	2	1	0	
	reserved	SXLATCH2	SXTP2	SXCA2	SXRA2			SXRL2	SXCL2	SXEN2	reserved	SXLATCH0	SXTP0	SXCA0	SXRA0			SXRL0	SXCL0	SXEN0													
Reset	0	0	0	0	0	0	0	0	0	0	0	0	0	0	0	0	0	*	*	*	*	*	*	*	*	*	*	*	*	*	*	0	*
Bits	Name		Description																														
4:2	SXCL0		CAS Latency for SX Memory partition pair 0/1 Number of external SDCLK cycles between reception of the READ command and latching of the data. The unit size for SXCL0 is the external SDCLK cycle. When SX Memory is run at half the memory clock frequency (MDREFR:K0DB2 = 1), the delay is 2*MEMCLK. When in doubt as to which CAS Latency to use, the next larger must be used. IF SXTP0 = 00 (SMROM): 000 – reserved 001 – reserved 010 – 3 clocks 011 – 4 clocks 100 – 5 clocks 101 – 6 clocks 110 – reserved 111 – reserved IF SXTP0 = 10 (non-SDRAM timing Fast Flash) 000 – reserved 001 – reserved 010 – 3 clocks 011 – 4 clocks 100 – 5 clocks 101 – 6 clocks 110 – 7 clocks 111 – reserved																														
1:0	SXEN0		Enable Bits for SX Memory Partition 0 (bit 0) and Partition 1 (bit 1) 0 – Partition is not enabled as SX Memory 1 – Partition is enabled as SX Memory For reset values, see Section 6.10 .																														

6.6.1.1 SMROM Memory Options

Table 6-15 shows the possible external-to-internal address multiplexing options. For SMROM, there are no bank-address bits, but the corresponding bits are put on the external address bus. The number of banks per device always defaults to four.

Table 6-15. Synchronous Static Memory External to Internal Address Mapping Options

# Bits Bank x Row x Col x Data	External Address pins at SXMEM RAS Time MA<24:10>														External Address pins at SXMEM CAS Time MA<24:10>															
	24	23	22	21	20	19	18	17	16	15	14	13	12	11	10	24	23	22	21	20	19	18	17	16	15	14	13	12	11	10
2x12x7x32		22	21	20	19	18	17	16	15	14	13	12	11	10	9		22	21		0				8	7	6	5	4	3	2
2x12x7x16		21	20	19	18	17	16	15	14	13	12	11	10	9	8		21	20		0				7	6	5	4	3	2	1
2x12x8x32		23	22	21	20	19	18	17	16	15	14	13	12	11	10		23	22		0			9	8	7	6	5	4	3	2
2x12x8x16		22	21	20	19	18	17	16	15	14	13	12	11	10	9		22	21		0			8	7	6	5	4	3	2	1
2x12x9x32		24	23	22	21	20	19	18	17	16	15	14	13	12	11		24	23		0		10	9	8	7	6	5	4	3	2
2x12x9x16		23	22	21	20	19	18	17	16	15	14	13	12	11	10		23	22		0		9	8	7	6	5	4	3	2	1
2x12x10x32		25	24	23	22	21	20	19	18	17	16	15	14	13	12		25	24		0	11	10	9	8	7	6	5	4	3	2
2x12x10x16		24	23	22	21	20	19	18	17	16	15	14	13	12	11		24	23		0	10	9	8	7	6	5	4	3	2	1
2x13x7x32	23	22	21	20	19	18	17	16	15	14	13	12	11	10	9	23	22			0				8	7	6	5	4	3	2
2x13x7x16	22	21	20	19	18	17	16	15	14	13	12	11	10	9	8	22	21			0				7	6	5	4	3	2	1
2x13x8x32	24	23	22	21	20	19	18	17	16	15	14	13	12	11	10	24	23			0			9	8	7	6	5	4	3	2
2x13x8x16	23	22	21	20	19	18	17	16	15	14	13	12	11	10	9	23	22			0			8	7	6	5	4	3	2	1
2x13x9x32	25	24	23	22	21	20	19	18	17	16	15	14	13	12	11	25	24			0		10	9	8	7	6	5	4	3	2
2x13x9x16	24	23	22	21	20	19	18	17	16	15	14	13	12	11	10	24	23			0		9	8	7	6	5	4	3	2	1
2x13x10x16	25	24	23	22	21	20	19	18	17	16	15	14	13	12	11	25	24			0	10	9	8	7	6	5	4	3	2	1

6.6.2 Synchronous Static Memory Mode Register Set Configuration Register (SXMRS)

On power up, a MRS command that contains the default boot-up value is written to the external memory if the system is configured to boot out of SMROM (see Section 6.10.2). Otherwise, SXMRS, shown in Table 6-16, is used to issue an MRS command to SMROM. The value written in this register is placed directly on address lines MA<24:10> during the MRS command. Writing to this register triggers a two-stage MRS command that is sent to the external synchronous static memory. The first state issues an MRS command to banks 0 and 1. The second stage issues an MRS command to banks 2 and 3. The corresponding chip select values are only asserted if the memory banks are enabled via the SXC�FG register and the memory type is configured as SMROM.

To write a new MRS value to a synchronous static memory, first enable and configure the memory via the SXC�FG register, then write the SXMRS register. This register is only used for the value written during the MRS command. All values in the SXC�FG register must be programmed correctly to ensure proper device operation (refer to the external memory chip product documentation for proper MRS encoding). Information programmed in the SXC�FG[CL] and

SXCNFG[RL] fields must match any CAS latencies and RAS latencies programmed in this SXMRS register. Software must ensure that fields match the latencies. In some cases, duplicate information must be programmed.

This is a read/write register. Ignore reads from reserved bits. Write zeros to reserved bits.

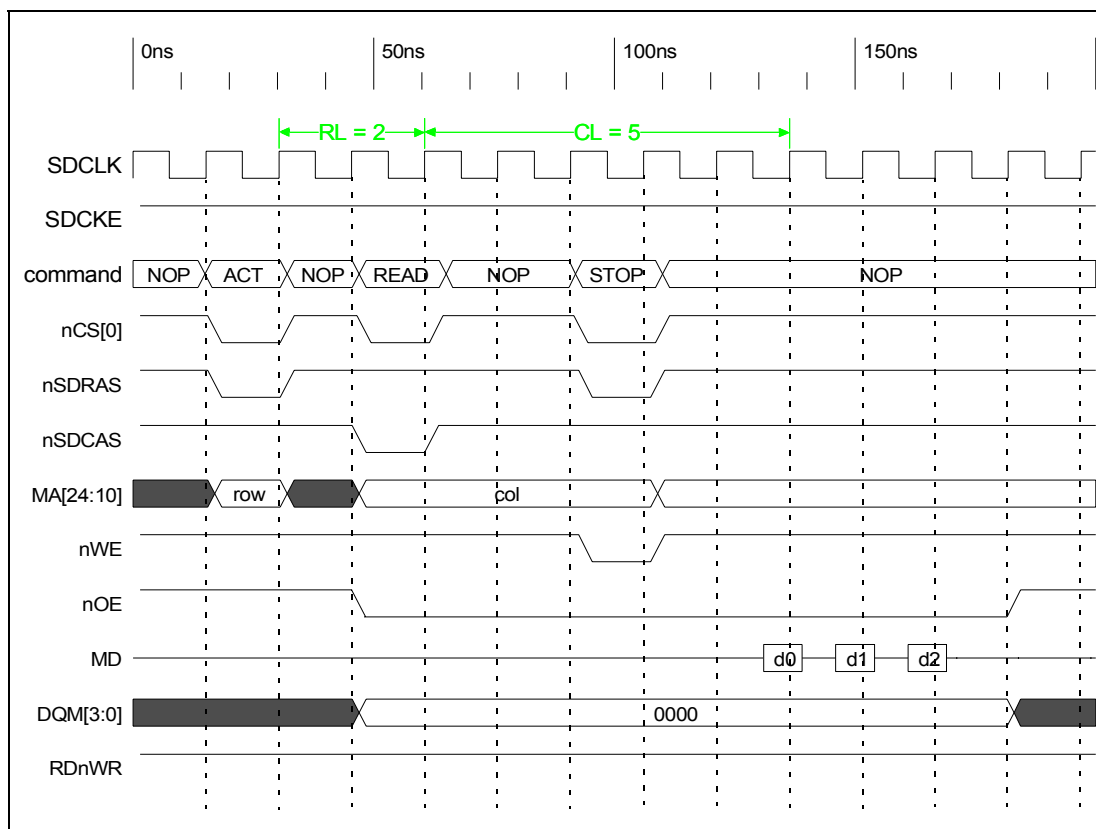
Table 6-16. SXMRS Bit Definitions

	0x4800_0024														SXMRS														Memory Controller													
Bit	31	30	29	28	27	26	25	24	23	22	21	20	19	18	17	16	15	14	13	12	11	10	9	8	7	6	5	4	3	2	1	0										
	SXMR2														SXMR0																											
Reset	0	0	0	0	0	0	1	0	0	0	1	1	0	0	1	0	0	0	0	0	0	0	1	0	0	0	1	1	0	0	1	0										
Bits	Name		Description																																							
31	—		reserved																																							
30:16	SXMR2		MRS value to be written to Synchronous Static memory requiring an MRS command for Bank Pair 2																																							
15	—		reserved																																							
14:0	SXMR0		MRS value to be written to Synchronous Static Memory requiring an MRS command for Bank Pair 0																																							

6.6.3 Synchronous Static Memory Timing Diagrams

Figure 6-12 shows a three-beat read cycle for SMROM.

Figure 6-12. SMROM Read Timing Diagram Half-Memory Clock Frequency



6.6.4 Non-SDRAM Timing SXMEM Operation

Non-SDRAM Timing Synchronous Flash operation resets to asynchronous mode (page-mode for reads and asynchronous single word writes). Software can change the Read Configuration Register (RCR) to synchronous mode (burst-timing synchronous reads and asynchronous single word writes). At boot time, the Non-SDRAM Timing Synchronous Flash operates similarly to an asynchronous boot ROM (See Section 6.8).

Consult the documentation for the memory being used. Table 6-17 is provided only as a reference. The frequency configuration must be determined based on the CLK-to-output delay, the CLK period, and the nADV-to-output delay timing parameters of the Flash device.

The values for this part number are shown as an example. For Intel part number 28F800F3, programming values for this register to ensure proper operation with the processors are shown in Table 6-17.

Software must ensure that the CLK-to-output delay is less than 1 SDCLK period for non-SDRAM Timing Synchronous Flash.

Table 6-17. Read Configuration Register Programming Values

Bits	Field Name	Value to Program
2:0	BURST LENGTH	010 8 Word Burst
5:3	reserved	000
6	CLOCK CONFIGURATION	1 Use rising edge of clock
7	BURST SEQUENCE	1 Linear burst Order (INTEL BURST ORDER IS NOT SUPPORTED)
8	WAIT CONFIGURATION	N/A nWAIT from the Flash device is ignored by the processor.
9	DATA OUTPUT CONFIGURATION	0 Hold data for one clock
10	reserved	0
13:11	FREQUENCY CONFIGURATION	010 -> CAS Latency 3 011 -> CAS Latency 4 100 -> CAS Latency 5 101 -> CAS Latency 6 110 -> CAS Latency 7 Chosen based on the AC Characteristics - Read only Operation section of the Flash device data sheet
14	reserved	0
15	READ MODE	0 - Synchronous Operation 1 - Asynchronous Operation

Table 6-18 shows sample frequency configurations for programming non-SDRAM Timing Fast Flash. When in doubt, the higher frequency configuration and corresponding CAS latency must be used.

Table 6-18. Frequency Code Configuration Values Based on Clock Speed (Sheet 1 of 2)

MEMCLK Frequency	SDCLK0 Frequency	MDREFR: K0DB2	Valid Frequency Configurations	Corresponding CAS Latencies
20	20	0	2 / 3 / 4 / 5 / 6	3 / 4 / 5 / 6 / 7
33	33	0	3 / 4 / 5 / 6	4 / 5 / 6 / 7
50	50	0	4 / 5 / 6	5 / 6 / 7
	25	1	2 / 3 / 4 / 5 / 6	3 / 4 / 5 / 6 / 7
66	66	0	5 / 6	6 / 7
	33	1	3 / 4 / 5 / 6	4 / 5 / 6 / 7
100	50	1	4 / 5 / 6	5 / 6 / 7
118	59	1	5 / 6	6 / 7

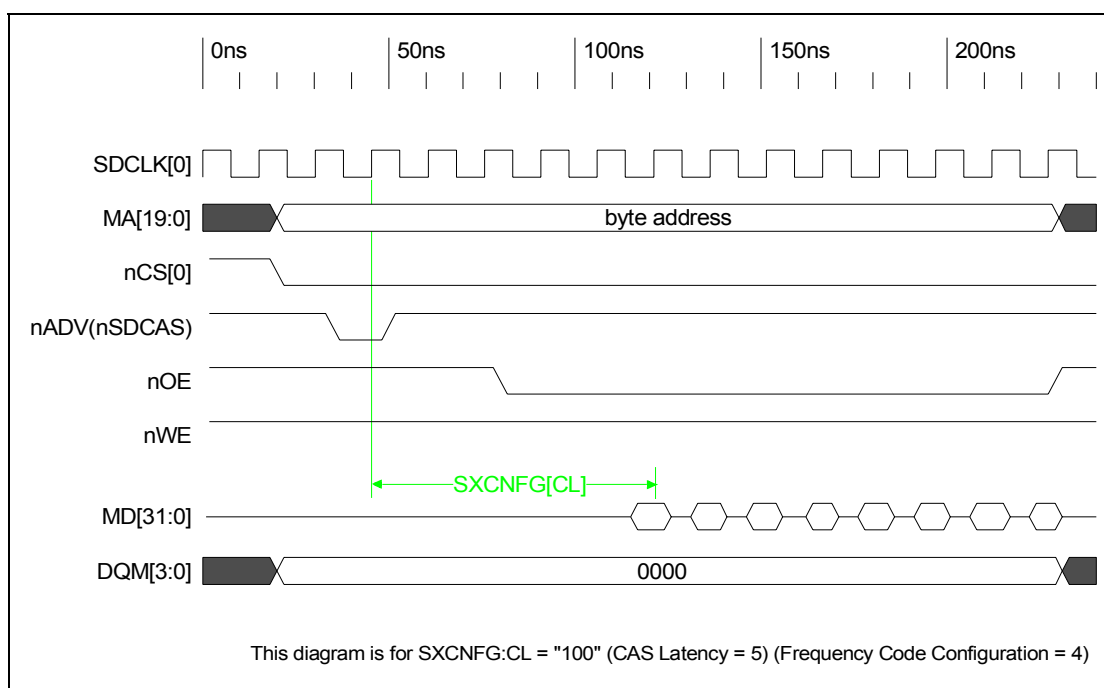
Table 6-18. Frequency Code Configuration Values Based on Clock Speed (Sheet 2 of 2)

MEMCLK Frequency	SDCLK0 Frequency	MDREFR: K0DB2	Valid Frequency Configurations	Corresponding CAS Latencies
133	66	1	5 / 6	6 / 7
147	Not supported			
166	Not supported			

6.6.4.1 Non-SDRAM Timing Flash Read Timing Diagram

Figure 6-12 shows the burst-of-eight read timing diagram.

Figure 6-13. Burst-of-Eight Synchronous Flash Timing Diagram (non-divide-by-2 mode)



In Figure 6-13, the following timing parameters apply:

- nADV asserted time = 1 MEMCLK
- MA, nCS setup to nADV asserted = 1 MEMCLK
- nADV deasserted to nOE asserted = Code - 2 MEMCLKs

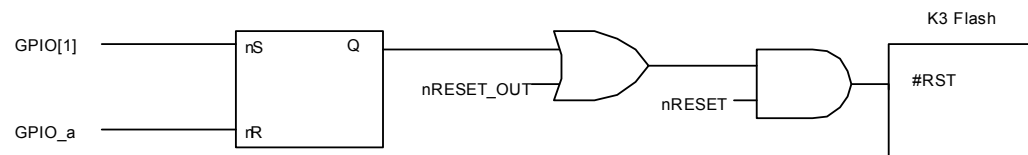
For divide-by-two mode, the following timing parameters apply:

- nADV assert time = 3 MEMCLKs
- MA, nCS setup to nADV asserted = 1 MEMCLK
- nADV deasserted to nOE asserted = (Code * 2) - 4 MEMCLKs

6.6.4.2 K3 Synchronous StrataFlash Reset

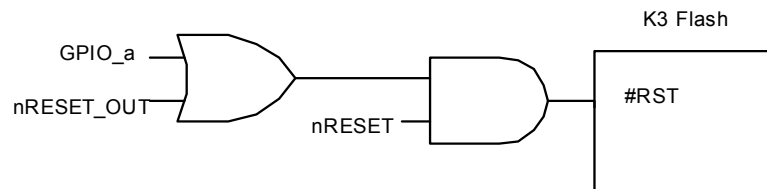
The PXA255 processor nRESET_OUT pin must be connected to the K3 #RST pin for Hardware reset, Watchdog reset and sleep mode to work properly. GPIO reset however does not reset the contents of the memory controller configuration register. If GPIO reset operation is required, a state machine is necessary between nRESET, nRESET_OUT, GPIO[1], and #RST to ensure that #RST is asserted during Hardware reset, Watchdog reset, and sleep mode, and not asserted during GPIO reset. Figure 6-14 shows the required logic. GPIO_a is an unused GPIO that is driven low by software during the initialization sequence and left high during normal operation. After this is completed, then enable GPIO reset.

Figure 6-14. Flash Memory Reset Using State Machine



If Watchdog reset is not necessary, a secondary GPIO can control nRESET_OUT using the equation $\#RST = nRESET \& (nRESET_OUT \mid GPIO_a)$. This allows sleep mode entry to reset the flash memory while keeping it in synchronous mode during a GPIO reset. Figure 6-15 shows the required logic. GPIO_a is an unused GPIO that is kept high during normal operation and driven low before sleep mode entry.

Figure 6-15. Flash Memory Reset Logic if Watchdog Reset is Not Necessary



6.7 Asynchronous Static Memory

6.7.1 Static Memory Interface

The Static Memory interface is made up of six chip selects: nCS[5:0]. The chip selects can be configured as the following:

- Non-burst ROM or Flash memory
- Burst ROM or Flash
- SRAM
- SRAM-like variable latency I/O devices

The Variable Latency I/O interface differs from SRAM in that it allows the use of the data-ready input signal, RDY, to insert a variable number of memory-cycle wait states. The data bus width for each chip-select region can be programmed as 16- or 32-bit. nCS[3:0] can also be configured for Synchronous Static Memory (refer to [Section 6.6](#)). During Variable Latency I/O writes, nPWE is used instead of nWE so SDRAM refreshes can be executed while performing the VLIO transfers.

The use of the signals nOE, nWE, and nPWE is summarized below:

- nOE is asserted for all reads
- nWE is asserted for Flash and SRAM writes
- nPWE is asserted for Variable Latency I/O writes

For SRAM and Variable Latency I/O implementations, DQM[3:0] signals are used for the write byte enables, where DQM[3] corresponds to the MSB. The processor supplies 26-bits of byte address for access of up to 64 Mbytes per chip select. This byte address is sent out on the 26 external address pins. Do not connect MA[1:0] for 32-bit systems. Do not connect MA[0] for 16-bit systems (the PXA255 processor operating in 16-bit mode). For all reads on a 32 bit system DQM[3:0] and MA[1:0] are 0. For all reads on a 16 bit system DQM[1:0] and MA[0] are 0. In the timing diagrams, these byte addresses are shown and referred to as “addr”.

Table 6-19. 32-Bit Bus Write Access

Data Size	MA[1:0]	DQM[3:0]
8-bit	00	1110
8-bit	01	1101
8-bit	10	1011
8-bit	11	0111
16-bit	00	1100
16-bit	10	0011
32-bit	00	0000

Table 6-20. 16-Bit Bus Write Access

Data Size	MA[0]	DQM[1:0]
8-bits	0	10
8-bits	1	01
16-bits	0	00

The RT fields in the MSCx registers specify the type of memory:

- Non-burst ROM or Flash
- SRAM
- Variable Latency I/O
- Burst-of-four ROM or Flash
- Burst-of-eight ROM or Flash

The RBW fields specify the bus width for the memory space selected by nCS[5:0]. For a 16-bit bus width transactions occur on MD[15:0]. The BOOT_SEL pins and/or SXCNFG register must be used to configure nCS[3:0] for SMROM or some other type of Synchronous Static Memory.

6.7.2 Static Memory SA-1111 Compatibility Configuration Register (SA1111CR)

The SA1111CR register was added to the PXA255 processor to facilitate interfaces that behave differently based upon the size of the transfer requested, such as a PCI bridge. Normally, when an 8 or 16 bit read is requested, the PXA255 processor asserts all DQM signals and sets the lowest address pins (MA[1:0] for 32 bit external bus and MA[0] for 16 bit external bus) to zero and discards the unwanted portion of data. When the SA-1111 compatibility bit is set for a static memory partition, then two things will happen.

- First, on reads for asynchronous memory, the lower address bits will correctly reflect the starting byte address. This is MA[0] for 16-bit external memory and MA[1:0] for 32-bit external memory. This is based on the byte enables that may be associated with the read request from the internal bus. See [Table 6-21, “32-Bit Byte Address Bits MA\[1:0\] for Reads Based on DQM\[3:0\]”](#) and [Table 6-22, “16-Bit Byte Address Bit MA\[0\] for Reads Based on DQM\[1:0\]”](#) for specifics on the external address for this mode.
- Second, on reads, the DQM pins will correctly reflect the byte enables received for the reads.

Table 6-21. 32-Bit Byte Address Bits MA[1:0] for Reads Based on DQM[3:0]

DQM[3:0]	MA[1:0]
0000	00
0001 1101 1001 0101	01
1011 0011	10
0111	11
Anything Else	00

Table 6-22. 16-Bit Byte Address Bit MA[0] for Reads Based on DQM[1:0]

DQM[1:0]	MA[0]
00	0
10	0
01	1
11	0

Table 6-23. SA-1111 Register Bit Definitions

0X4800 0064																SA1111																	
Bit	31	30	29	28	27	26	25	24	23	22	21	20	19	18	17	16	15	14	13	12	11	10	9	8	7	6	5	4	3	2	1	0	
	Reserved																								SA1111_5	SA1111_4	SA1111_3	SA1111_2	SA1111_1	SA1111_0			
Reset	?	?	?	?	?	?	?	?	?	?	?	?	?	?	?	?	?	?	?	?	?	?	?	?	?	?	?	0	0	0	0	0	0
Bits	Access	Name	Description																														
31:6	—	Reserved	Writes must set this field to zero and Read values should be ignored																														
5	R/W	SA1111_5	Enables SA-1111 Compatibility Mode for Static Memory Partition 5.																														
4	R/W	SA1111_4	Enables SA-1111 Compatibility Mode for Static Memory Partition 4.																														
3	R/W	SA1111_3	Enables SA-1111 Compatibility Mode for Static Memory Partition 3.																														
2	R/W	SA1111_2	Enables SA-1111 Compatibility Mode for Static Memory Partition 2.																														
1	R/W	SA1111_1	Enables SA-1111 Compatibility Mode for Static Memory Partition 1.																														
0	R/W	SA1111_0	Enables SA-1111 Compatibility Mode for Static Memory Partition 0.																														

6.7.3 Asynchronous Static Memory Control Registers (MSCx)

The MSCx, shown in Table 6-24, are read/write registers and contain control bits for configuring Static Memory (or Variable Latency I/O) that correspond to chip-select pairs nCS(1:0), nCS(3:2), and nCS(5:4), respectively. Timing fields are specified as numbers of memory clock cycles. Each of the three registers contain two identical CNFG fields One for each chip select in the pair.

When programming a different memory type in an MSC register, ensure that the new value has been accepted and programmed before issuing a command to that memory. To do this, the MSC register must be read after it is written and before an access to the memory is attempted. This is especially important when changing from ROM/Flash to an unconstrained writable memory type (such as SRAM).

If any of the nCS[3:0] banks is configured for Synchronous Static Memory via SXCNFG[SXENx], the corresponding half-words of MSC0 and/or MSC1 are ignored, except MSCx:RBWx, the data width. Another exception is non-SDRAM timing Synchronous Flash, which writes asynchronously and requires these programmed values.

This is a read/write register. Ignore reads from reserved bits. Write zeros to reserved bits.

Table 6-24. MSC0/1/2 Bit Definitions (Sheet 1 of 3)

		0x4800_0008			MSC0			Memory Controller																								
		0x4800_000C			MSC1																											
		0x4800_0010			MSC2																											
Bit	31	30	29	28	27	26	25	24	23	22	21	20	19	18	17	16	15	14	13	12	11	10	9	8	7	6	5	4	3	2	1	0
	RBUF1/3/5	RRR1/3/5	RDN1/3/5	RDF1/3/5		RBF1/3/5	RT1/3/5	RBUF0/2/4	RRR0/2/4		RDN0/2/4	RDF0/2/4		RBF0/2/4	RT0/2/4																	
Reset	0	1	1	1	1	1	1	1	1	1	1	1	0	0	0	0	0	1	1	1	1	1	1	1	1	1	1	1	*	0	0	0
Bits	Access	Name	Description																													
15	R/W	RBUFx	<p>Return Data Buffer vs. Streaming behavior.</p> <p>When slower memory devices are being used in the system (e.g. VLIQ, slow SRAM/ROM), this bit must be reset to allow the system to not have to remain idle while all data is being read from the device. By resetting this bit, the system is allowed to process other information. When set, the internal bus may halt while all data is returned from the device. The value of the RBUF bit does not affect the behavior of the external memory bus. Once a transaction begins on the memory bus, it must be completed before another transaction starts.</p> <p>When Synchronous Static memory devices have been enabled for a given bank, this value will default to Streaming behavior (assuming a faster device). The register bit will still read as 0 (Return Data Buffer) unless it has specifically been programmed to a 1. This cannot be overridden.</p> <p>0 – Slower device (Return Data Buffer) 1 – Faster device (Streaming behavior)</p>																													
14:12	R/W	RRRx<2:0>	<p>ROM/SRAM recovery time.</p> <p>Chip select deasserted after a read/write to next chip select (including the same static memory bank) or nSDCS asserted is equal to (RRRx * 2) memclks.</p> <p>This field must be programmed with the maximum of t_{OFF} (divided by 2), write pulse high time (Flash/SRAM), and write recovery before read (Flash).</p>																													
11:8	R/W	RDNx<3:0>	<p>ROM delay next access</p> <p>Address to data valid for subsequent access to burst ROM or Flash is equal to (RDNx + 1) memclks.</p> <p>nWE assertion for write accesses to SRAM is equal to (RDFx + 1) memclks.</p> <p>The nOE (nPWE) deassert time between each beat of read/write for Variable Latency I/O is equal to (RDNx + 2) memclks. For variable latency I/O, this number must be greater than or equal to 2.</p>																													

Table 6-24. MSC0/1/2 Bit Definitions (Sheet 2 of 3)

		0x4800_0008			MSC0					MSC1					Memory Controller																			
		0x4800_000C			MSC2					MSC2																								
		0x4800_0010																																
Bit		31	30	29	28	27	26	25	24	23	22	21	20	19	18	17	16	15	14	13	12	11	10	9	8	7	6	5	4	3	2	1	0	
		RBUF1/3/5	RRR1/3/5	RDN1/3/5	RDF1/3/5	RBW1/3/5	RT1/3/5	RBUF0/2/4	RRR0/2/4	RDN0/2/4	RDF0/2/4	RBW0/2/4	RT0/2/4																					
Reset		0	1	1	1	1	1	1	1	1	1	1	1	0	0	0	0	0	1	1	1	1	1	1	1	1	1	1	1	1	*	0	0	0
Bits	Access	Name	Description																															
7:4	R/W	RDFx<3:0>	ROM delay first access. RDF programmed RDF value interpreted 0-11 0-11 12 13 13 15 14 18 15 23 Address to data valid for the first read access from all devices except VLIO is equal to (RDFx + 2) memclks. Address to data valid for subsequent read accesses to non-burst devices is equal to (RDFx + 1) memclks. nWE assertion for write accesses (which are non-burst) to all Flash is equal to (RDFx + 1) memclks. nOE (nPWE) assert time for each beat of read (write) is equal to (RDFx + 1) memclks for Variable Latency I/O (nCS[5:0]). For Variable Latency I/O, RDFx must be greater than or equal to 3.																															
3	R/W	RBWx	ROM bus width 0 – 32 bits 1 – 16 bits For reset value for RBW0, see Section 6.8 . This value must be programmed with all memory types including Synchronous Static Memory. This value must not change during normal operation.																															

Table 6-24. MSC0/1/2 Bit Definitions (Sheet 3 of 3)

		0x4800_0008			MSC0			Memory Controller																								
		0x4800_000C			MSC1																											
		0x4800_0010			MSC2																											
Bit	31	30	29	28	27	26	25	24	23	22	21	20	19	18	17	16	15	14	13	12	11	10	9	8	7	6	5	4	3	2	1	0
	RBUF1/3/5	RRR1/3/5	RDN1/3/5	RDF1/3/5		RBF1/3/5	RT1/3/5		RBUF0/2/4	RRR0/2/4		RDN0/2/4	RDF0/2/4		RBF0/2/4	RT0/2/4																
Reset	0	1	1	1	1	1	1	1	1	1	1	1	0	0	0	0	0	1	1	1	1	1	1	1	1	1	1	1	*	0	0	0
Bits	Access	Name	Description																													
2:0	R/W	RTx<2:0>	ROM type 000 - Nonburst ROM or Flash Memory 001 - SRAM 010 - Burst-of-four ROM or Flash (with non-burst writes) 011 - Burst-of-eight ROM or Flash (with non-burst writes) 100 - Variable Latency I/O (VLIO) 101 - reserved 110 - reserved 111 - reserved Burst refers to the device's timing. When the subsequent reads from the device take less time than the first read from a device, it is referred to as burst timing. The address bits must also be taken into account for burst timing devices. For example, in a burst-of-four device, only the lower two non-byte address bits can change for burst timing. For 32-bit devices, this is MA[3:2]. The address order can go 00, 01, 10, 11 where the reads from 01, 10, and 11, take less time to come out of the device. For burst-of-eight devices, the lower three non-byte address bits can change. Writes to these devices are non-burst.																													

Table 6-25 provides a comparison of supported Asynchronous Static Memory types.

Table 6-25. Asynchronous Static Memory and Variable Latency I/O Capabilities

MSCx[RTx]	Device Type	Timing (Memory Clocks)					
		Burst Read Address Assert	nOE Assert	Burst nOE Deassert	Burst Write Address Assert	nWE Assert	Burst nWE Deassert
000	Non-burst ROM or Flash	RDF+1	RDF+1	0	N/A	RDF+1	N/A
001	SRAM	RDF+1	RDF+1	0	RDN+2	RDN+1	1
010	Burst-of-4 ROM or Flash (non-burst writes)	RDF+1 (0,4) RDN+1 (1:3,5:7)	RDF+1 (0,4) RDN+1 (1:3,5:7)	0	N/A	RDF+1	N/A
011	Burst-of-8 ROM or Flash (non-burst writes)	RDF+1 (0) RDN+1 (1:7)	RDF+1 (0) RDN+1 (1:7)	0	N/A	RDF+1	N/A
100	Variable Latency I/O	RDF+ RDN+2+waits	RDF+1+ waits	RDN+2	RDF+ RDN+2+waits	RDF+1+ waits	RDN+2

6.7.4 ROM Interface

The processor provides programmable timing for both burst and non-burst ROMs. The RDF field in MSCx is the latency (in memory clock cycles) for the first, and all subsequent, data beats from non-burst ROMs, and the first data beat from a burst ROM. RDN is the latency for the burst data beats after the first for burst ROMs. RRR delays the following access to a different memory space to allow time for the current ROM to three-state the data bus.

RRR must be programmed with the maximum t_{OFF} value, as specified by the ROM manufacturer.

For hardware reset initialization values, refer to [Section 6.8](#). MSC0[15:0] is selected when the address space corresponding to nCS0 is accessed. The processor supports a ROM burst size of 1, 4, or 8 by configuring the MSCx[RTx] register bits to 0, 2 or 3 respectively.

6.7.4.1 ROM Timing Diagrams and Parameters

Figure 6-17, Figure 6-18, and Figure 6-19 show the timings for burst and non-burst ROMs.

Figure 6-17. 32-Bit Burst-of-Eight ROM or Flash Read Timing Diagram (MSC0[RDF] = 4, MSC0[RDN] = 1, MSC0[RRR] = 1)

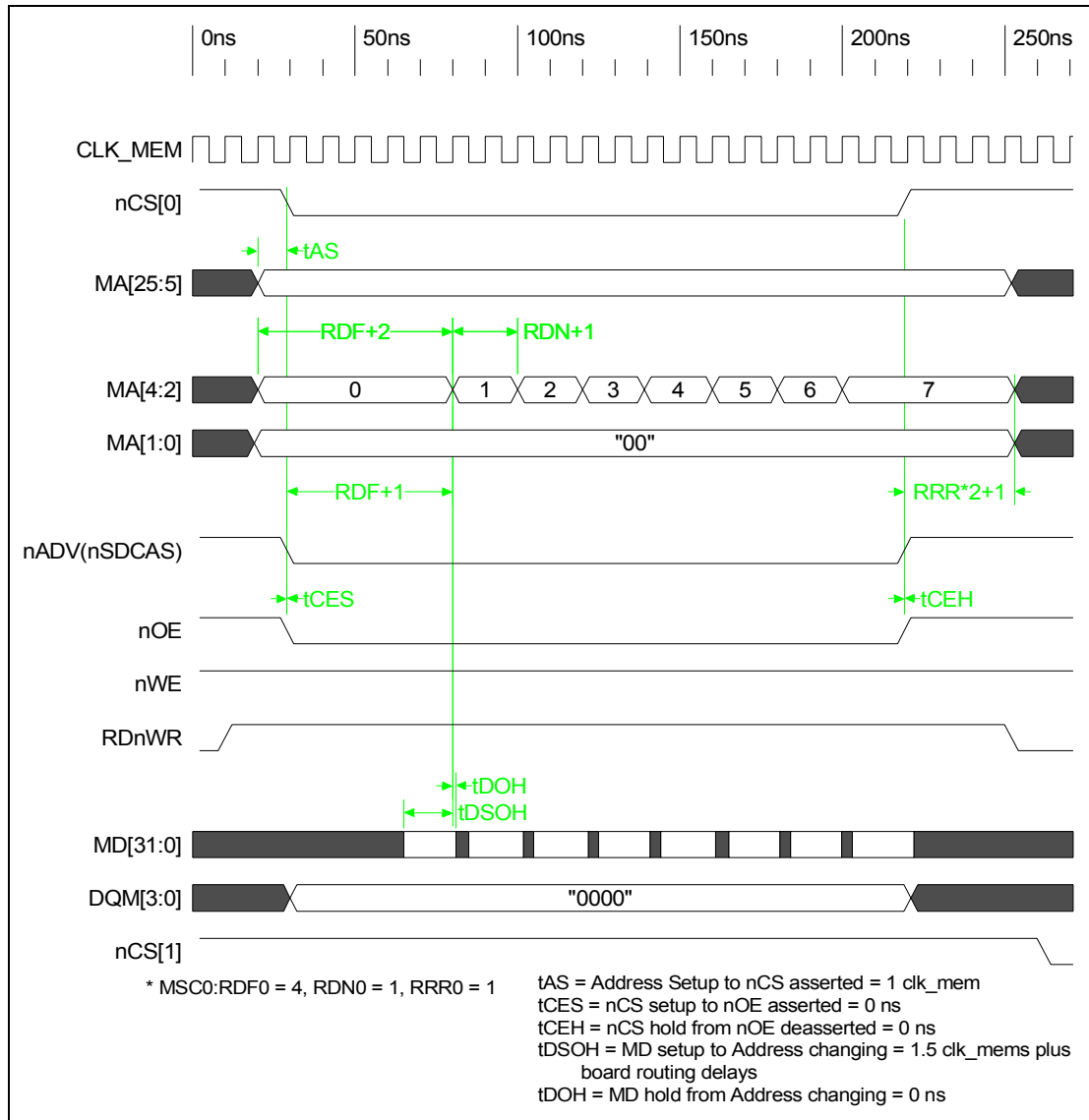


Figure 6-18. Eight-Beat Burst Read from 16-Bit Burst-of-Four ROM or Flash (MSC0[RDF] = 4, MSC0[RDN] = 1, MSC0[RRR] = 0)

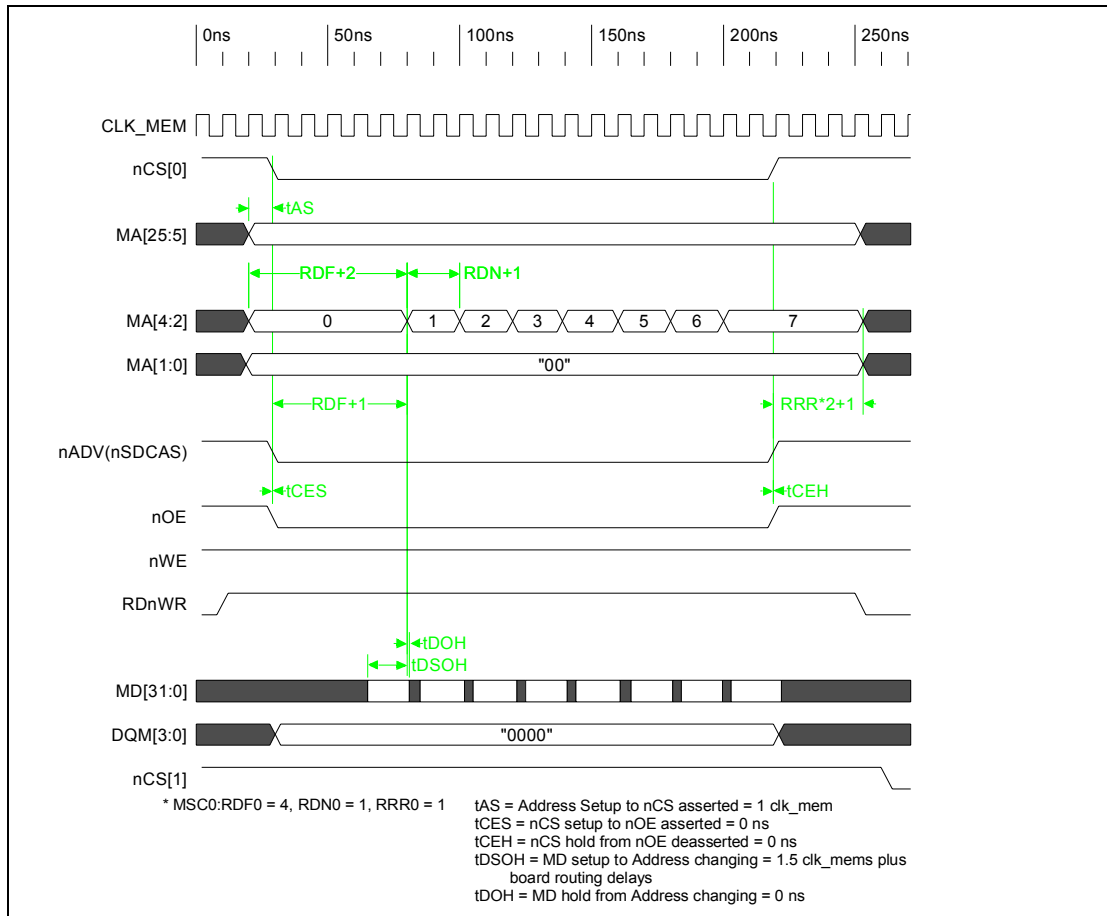
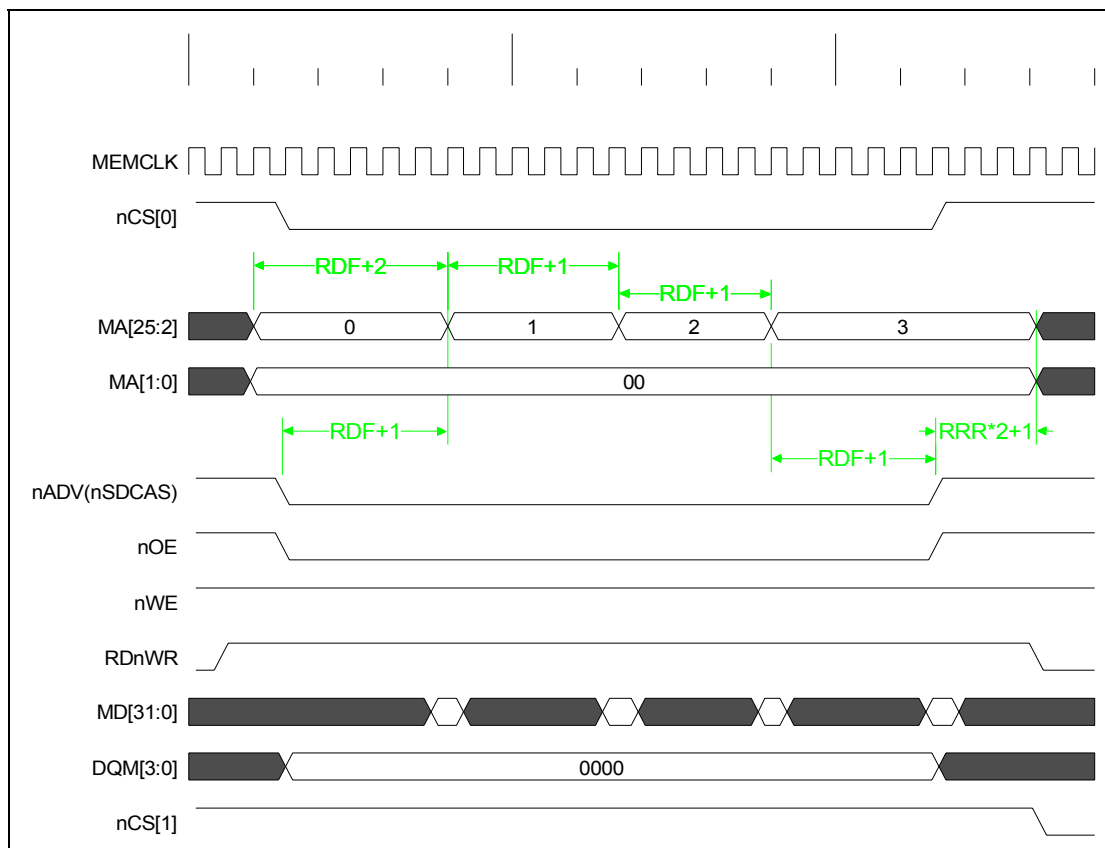


Figure 6-19. 32-Bit Non-burst ROM, SRAM, or Flash Read Timing Diagram - Four Data Beats (MSC0[RDF] = 4, MSC0[RRR] = 1)



6.7.5 SRAM Interface Overview

The processor provides a 16-bit or 32-bit asynchronous SRAM interface that uses the DQM pins for byte selects on writes. nCS[5:0] select the SRAM bank. nOE is asserted on reads and nWE is asserted on writes. Address bits MA[25:0] allow up to 64 Mbytes of SRAM per bank to be addressed.

The timing for a read access is identical to that for a non-burst ROM (see Section 6.7.4.1). The RDF fields in the MSCx registers select the latency for a read access. The MSCx[RDN] field controls the nWE low time during a write cycle. MSCx[RRR] is the time from nCS deassertion after a memory access to the start of another memory access. MSCx[RTx] must be configured to 0b001 to select SRAM.

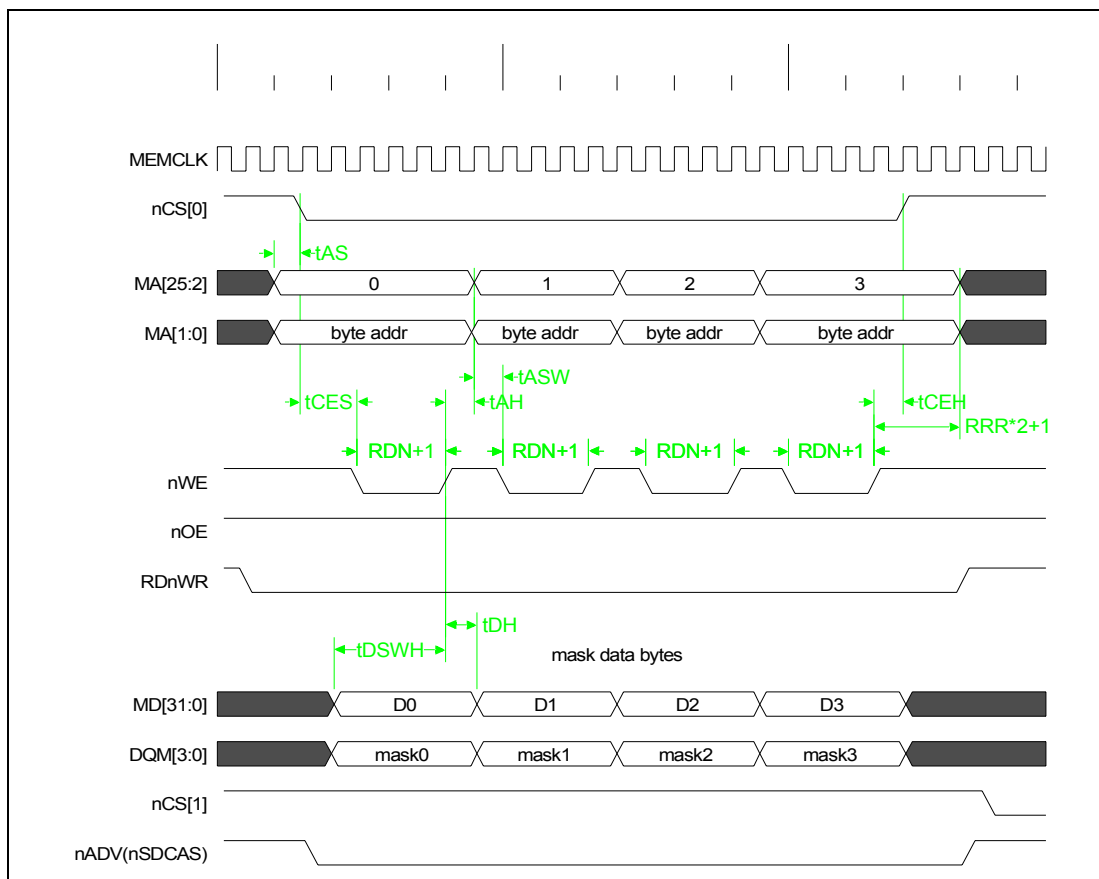
6.7.5.1 SRAM Timing Diagrams and Parameters

As shown in Figure 6-17, SRAM reads have the same timing as non-burst ROMs, except DQM[3:0] are used as byte selects. For all reads, DQM[3:0] are 0b0000. During writes, all 32 data pins are actively driven by the processor regardless of the state of the individual DQM pins.

For writes to SRAM, if all byte enables are turned off (masking out the data, DQM = 1111), then the write enable are 1 (nWE = 1) for this write beat. This can result in a period when nCS is asserted, but neither nOE nor nWE is asserted. This happens with a write of 1 beat to SRAM, but all byte enables are turned off.

Figure 6-20 shows the timing for SRAM writes.

Figure 6-20. 32-Bit SRAM Write Timing Diagram (4-beat Burst (MSC0[RDN] = 2, MSC0[RRR] = 1))



In Figure 6-20, the parameters are defined as follows:

- tAS = Address setup to nCS = 1 MEMCLK
- tCES = nCS setup to nWE = 2 MEMCLKs
- tASW = Address setup to nWE low (asserted) = 1 MEMCLK
- tDSWH = Write data setup, DQM to nWE high (deasserted) = (RDN+2) = 4 MEMCLKs
- tDH = Data, DQM hold after nWE high (deasserted) = 1 MEMCLK
- tCEH = nCS held asserted after nWE deasserted = 1 MEMCLK
- tAH = Address hold after nWE deasserted = 1 MEMCLK
- nWE high time between burst beats = 2 MEMCLKs

6.7.6 Variable Latency I/O (VLIO) Interface Overview

Variable Latency I/O read accesses differ from SRAM read accesses in that the nOE toggles for each beat of a burst. The first nOE assertion occurs two memory cycles after the assertion of the chip select nCS<x>. Also, for Variable Latency I/O writes, nPWE is used instead of nWE so SDRAM refreshes can be executed while performing the VLIO transfers. Variable Latency I/O is selected by programming the MSCx[RTx] bits as 0b100.

Both reads and writes for VLIO differ from SRAM in that the processor samples the data-ready input, RDY. The RDY signal is level sensitive and goes through a two-stage synchronizer on input. When the internal RDY signal is high, the I/O device is ready for data transfer. This means that for a transaction to complete at the minimum assertion time for either nOE or nPWE (RDF+1), the RDY signal must be high two clocks prior to the minimum assertion time for either nOE or nPWE (RDF-1). Data will be latched on the rising edge of MEMCLK once the internal RDY signal is high and the minimum assertion time of RDF+1 has been reached. Once the data has been latched, the address may change on the next rising edge of MEMCLK or any cycles thereafter. The nOE or nPWE signal will de-assert one MEMCLK after data is latched. Before a subsequent data beat, nOE or nPWE remains deasserted for RDN+2 memory cycles. The chip select and byte selects, DQM[3:0], remain asserted for one memory cycle after the burst's final nOE or nPWE deassertion.

For both reads and writes from/to VLIO, a DMA mode exists that does not increment the address to the VLIO, which will allow port-type VLIO chips to interface to the processor. See DCMDx[INCSRCADDR] and DCMDx[INCTRGADDR] in [Table 5-12, "DCMDx Bit Definitions"](#) on page 5-24.

For writes to VLIO, if all byte enables are turned off, masking out the data, DQM = 1111, the write enable is suppressed (nPWE = 1) for this write beat to VLIO. This can result in a period when nCS is asserted, but neither nOE nor nPWE is asserted (this happens when there is a write of 1 beat to VLIO, but all byte enables are turned off).

6.7.6.1 Variable Latency I/O Timing Diagrams and Parameters

Figure 6-21 shows the timing for Variable Latency I/O reads and Figure 6-22 shows the timing for Variable Latency I/O writes.

Figure 6-21. 32-Bit Variable Latency I/O Read Timing (Burst-of-Four, One Wait Cycle Per Beat) (MSC0[RDF] = 2, MSC0[RDN] = 2, MSC0[RRR] = 1)

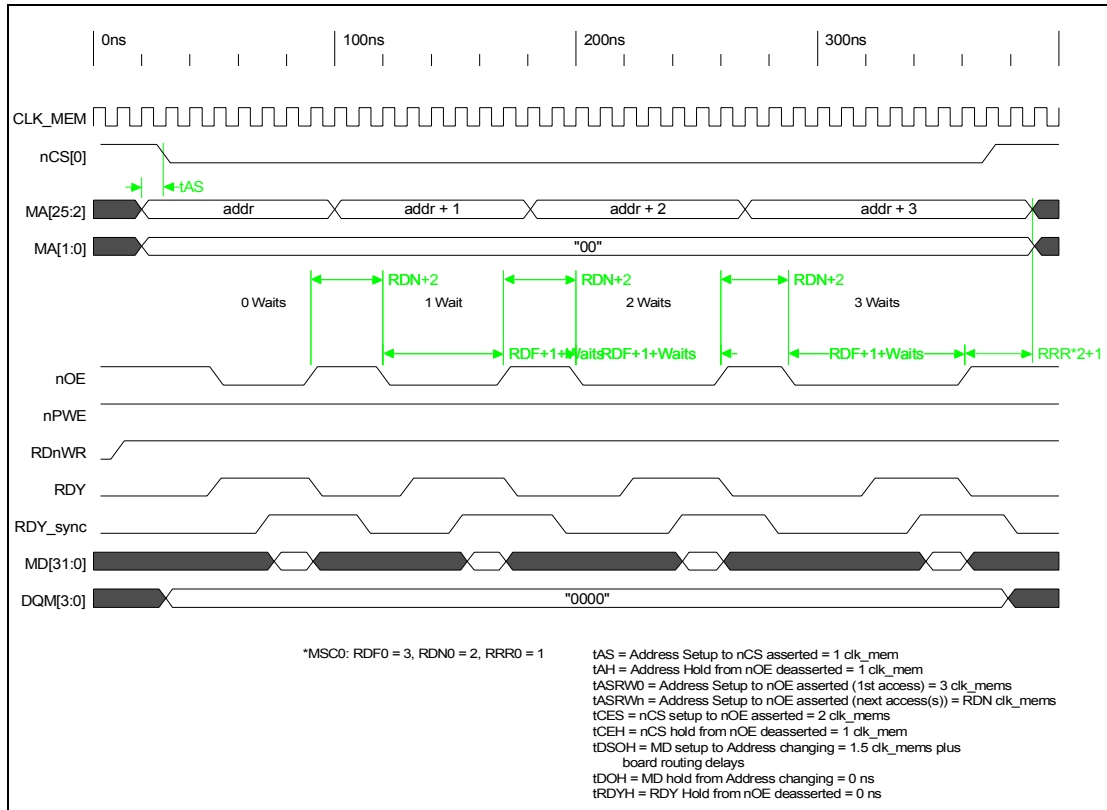
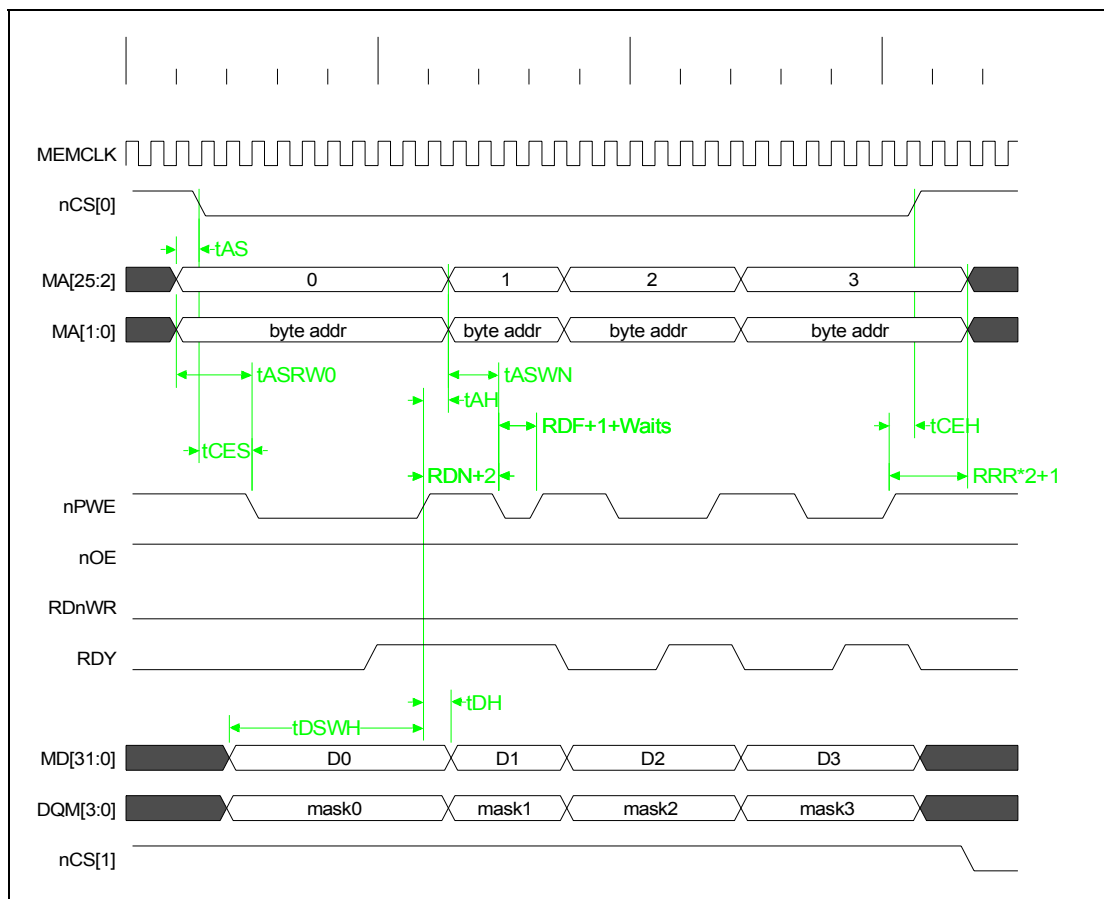


Figure 6-22. 32-Bit Variable Latency I/O Write Timing (Burst-of-Four, Variable Wait Cycles Per Beat)


In [Figure 6-21](#) and [Figure 6-22](#), some of the parameters are defined as follows:

- t_{AS} = Address setup to $nCS = 1$ MEMCLK
- t_{CES} = nCS setup to nOE or $nPWE = 2$ MEMCLKs
- t_{ASRW0} = Address setup to nOE or $nPWE$ low (asserted) = 3 MEMCLKs
- t_{ASRN} = Address setup to nOE or $nPWE$ low (asserted) = RDN MEMCLKs
- $t_{DSWH,min}$ = Minimum write data, DQM setup to $nPWE$ high (deasserted) = $(RDF+2)$ MEMCLKs
- t_{DHW} = Data, DQM hold after $nPWE$ high (deasserted) = 1 MEMCLK
- t_{DHR} = Data hold required after nOE deasserted = 0 ns
- t_{CEH} = nCS held asserted after nOE or $nPWE$ deasserted = 1 MEMCLK
- t_{AH} = Address hold after nOE or $nPWE$ deasserted = 1 MEMCLK
- nOE or $nPWE$ high time between burst beats = $(RDN+2)$ MEMCLKs

Note: RDY_sync is an internal signal shown here for clarity. This signal represents the RDY signal once it has gone through the two-stage synchronizer. The value of the RDY_sync is what the processor uses to determine whether the external device is ready for the next beat of the transfer or not.

6.7.7 FLASH Memory Interface

The processor provides an SRAM-like interface for access of Flash memory. The RDF fields in the MSCx registers are the latency for each read access to non-burst Flash, or the first read access to burst Flash. The RDF fields also control the nWE low time during a write cycle to Flash. The RDN field controls subsequent read access times to burst Flash and the nWE low time during a write cycle to non-burst Flash. RRR is the time from nCS deassertion after a read to the start of a read from a different memory, or after a write to another memory access.

Reads from Flash memory have the following requirements:

- Because Flash defaults to Read-Array mode, burst reads are permitted out of Flash, which allows instruction caching and DMA reads from Flash.
- Software partitions commands and data and writes the commands to Flash before the read. The Memory controller does not insert any commands before Flash reads.

Writes to Flash memory have the following requirements:

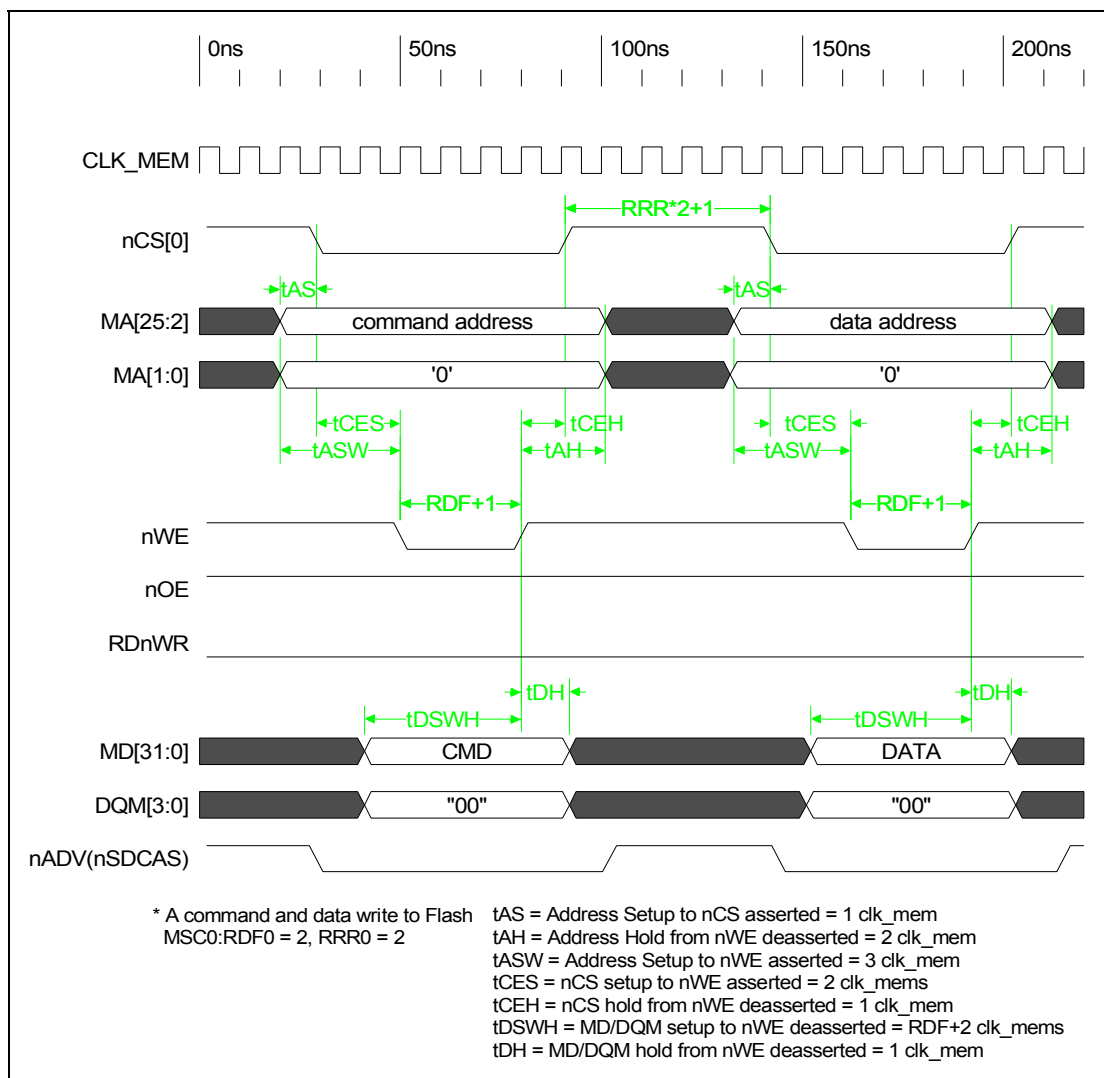
- Flash memory space must be uncacheable and unbuffered.
- Burst writes to Flash are not supported. Writes to Flash must be exactly the width of the populated Flash devices on the data bus and must be a burst length of one write, for example no byte writes to a 32-bit bus. The allowable writes are: 2 bytes written to a 16-bit bus, and 4-bytes written to a 32-bit bus.
- For asynchronous writes to Flash, the command and data must be given in separate write instructions to the Memory controller, the first carries the command, the next carries the data.
- The Memory controller does not insert any commands before Flash writes. Software must write the commands and data in the correct order.
- No Flash writes can be bursts. DMA must never write to Flash.

For writes to Flash, if all byte enables are turned off (masking out the data, DQM = 1111), the write enable is suppressed (nWE = 1) for the write beat, which can result in a period when nCS is asserted, but neither nOE nor nWE is asserted. This happens when there is a 1-beat write to Flash, but all byte enables are turned off.

6.7.7.1 FLASH Memory Timing Diagrams and Parameters

Non-burst Flash reads have the same timing as non-burst ROMs reads. [Figure 6-23](#) shows the timing for writes to non-burst asynchronous Flash.

Figure 6-23. Asynchronous 32-Bit Flash Write Timing Diagram (2 Writes)



In Figure 6-23 some of the parameters are defined as follows:

- tAS = Address setup to nCS = 1 MEMCLK
- tCES = nCS setup to nWE = 2 MEMCLKs
- tASW = Address setup time to nWE asserted = 3 MEMCLKs
- tDSWH = Write data, DQM setup to nWE deasserted = (RDF+2) MEMCLKs
- tDH = Data, DQM hold after nWE deasserted = 1 MEMCLKs
- tCEH = nCS held asserted after nWE deasserted = 1 MEMCLK
- tAH = Address hold after nWE deasserted = 1 MEMCLKs

6.8 16-Bit PC Card/Compact Flash Interface

The following sections provide information on the card interface based on the *PC Card Standard - Volume 2 - Electrical Specification, Release 2.1*, and *CF+ and CompactFlash Specification Revision 1.4*. Only 8- and 16-bit data transfers are supported.

6.8.1 Expansion Memory Timing Configuration Register

MCMEM0, MCMEM1, MCATT0, MCATT1, MCIO0, and MCIO1 are read/write registers that contain control bits for configuring the timing of the 16-bit PC Card/Compact Flash interface.

The programming of each of the four fields in each of the six registers lets software to individually select the duration of accesses to I/O, common memory, and attribute space for each of two 16-bit PC Card/Compact Flash card slots.

Refer to [Table 6-26](#) through [Table 6-28](#) for bitmaps of the MCMEMx registers. Also refer to [Table 6-29](#). Refer to [Figure 6-29](#) and [Figure 6-30](#) for a 16-bit PC Card/Compact Flash timing diagram.

These are read/write registers. Ignore reads from reserved bits. Write zeros to reserved bits.

Table 6-26. MCMEM0/1 Bit Definitions

		0x4800_0028 0x4800_002C	MCMEM0 MCMEM1	Memory Controller																																
Bit		31	30	29	28	27	26	25	24	23	22	21	20	19	18	17	16	15	14	13	12	11	10	9	8	7	6	5	4	3	2	1	0			
		reserved								MEMx_HOLD				reserved	MEMx_ASST				MEMx_SET																	
Reset		0	0	0	0	0	0	0	0	0	0	0	0	0	0	0	0	0	0	0	0	0	0	0	0	0	0	0	0	0	0	0	0	0		
Bits	Name	Description																																		
31:20	—	reserved																																		
19:14	MCMEMx_HOLD	Minimum Number of memory clocks to set up address before command assertion for MCMEM for socket x is equal to MCMEMx_HOLD + 2.																																		
13:12	—	reserved																																		
11:7	MCMEMx_ASST	Code for the command assertion time. See Table 6-29 for a description of this code and its affects on the command assertion.																																		
6:0	MCMEMx_SET	Minimum Number of memory clocks to set up address before command assertion for MCMEM for socket x is equal to MCMEMx_SET + 2.																																		

These are read/write registers. Ignore reads from reserved bits. Write zeros to reserved bits.

Table 6-27. MCATT0/1 Bit Definitions

		0x4800_0030 0x4800_0030	MCATT0 MCATT1	Memory Controller		
Bit		31 30 29 28 27 26 25 24 23 22 21 20	19 18 17 16 15 14 13 12	11 10 9 8 7 6 5 4 3 2 1 0		
		reserved				
		ATTx_HOLD				
			reserved	ATTx_ASST		
		ATTx_SET				
Reset		0 0 0 0 0 0 0 0 0 0 0 0	0 0 0 0 0 0 0 0	0 0 0 0 0 0 0 0	0 0 0 0 0 0 0 0	
	Bits	Name	Description			
	31:20	—	reserved			
	19:14	MCATTx_HOLD	Minimum Number of memory clocks to set up address before command assertion for MCATT for socket x is equal to MCATTx_HOLD + 2.			
	13:12	—	reserved			
	11:7	MCATTx_ASST	Code for the command assertion time. See Table 6-29 for a description of this code and its affects on the command assertion.			
	6:0	MCATTx_SET	Minimum Number of memory clocks to set up address before command assertion for MCATT for socket x is equal to MCATTx_SET + 2.			

These are read/write registers. Ignore reads from reserved bits. Write zeros to reserved bits.

Table 6-28. MCIO0/1 Bit Definitions

		0x4800_0038 0x4800_003C	MCIO0 MCIO1	Memory Controller		
Bit		31 30 29 28 27 26 25 24 23 22 21 20	19 18 17 16 15 14 13 12	11 10 9 8 7 6 5 4 3 2 1 0		
		reserved				
		IOx_HOLD				
			reserved	IOx_ASST		
		IOx_SET				
Reset		0 0 0 0 0 0 0 0 0 0 0 0	0 0 0 0 0 0 0 0	0 0 0 0 0 0 0 0	0 0 0 0 0 0 0 0	
	Bits	Name	Description			
	31:20	—	reserved			
	19:14	MCIOx_HOLD	Minimum Number of memory clocks to set up address before command assertion for MCIO for socket x is equal to MCIOx_HOLD + 2.			
	13:12	—	reserved			
	11:7	MCIOx_ASST	Code for the command assertion time. See Table 6-29 for a description of this code and its affects on the command assertion.			
	6:0	MCIOx_SET	Minimum Number of memory clocks to set up address before command assertion for MCIO for socket x is equal to MCIOx_SET + 2.			

Table 6-29. Card Interface Command Assertion Code Table

MCMEM _x _ASST MCATT _x _ASST MCIO _x _ASST		x_ASST_WAIT	x_ASST_HOLD		x_ASST_WAIT + x_ASST_HOLD	
			(nPIOW asserted)	(nPIOR asserted)	(nPIOW asserted)	(nPIOR asserted)
Programmed Bit Value	Code decimal value	# MEMCLKs (minimum) to wait before checking for nPWAIT='1'	# MEMCLKs (minimum) to assert command (nPIOW) after nPWAIT='1'	# MEMCLKs (minimum) to assert command (nPIOR) after nPWAIT='1'	# MEMCLKs (minimum) command assertion time	# MEMCLKs (minimum) command assertion time
(Code)	(Code)	(Code + 2)	(2*Code + 3)	(2*Code + 4)	(3*Code + 5)	(3*Code + 6)
00000	0	2	3	4	5	6
00001	1	3	5	6	8	9
00010	2	4	7	8	11	12
00011	3	5	9	10	14	15
00100	4	6	11	12	17	18
00101	5	7	13	14	20	21
00110	6	8	15	16	23	24
00111	7	9	17	18	26	27
01000	8	10	19	20	29	30
01001	9	11	21	22	32	33
01010	10	12	23	24	35	36
01011	11	13	25	26	38	39
01100	12	14	27	28	41	42
01101	13	15	29	30	44	45
01110	14	16	31	32	47	48
01111	15	17	33	34	50	51
10000	16	18	35	36	53	54
10001	17	19	37	38	56	57
10010	18	20	39	40	59	60
10011	19	21	41	42	62	63
10100	20	22	43	44	65	66
10101	21	23	45	46	68	69
10110	22	24	47	48	71	72
10111	23	25	49	50	74	75
11000	24	26	51	52	77	78
11001	25	27	53	54	80	81
11010	26	28	55	56	83	84
11011	27	29	57	58	86	87
11100	28	30	59	60	89	90

Table 6-29. Card Interface Command Assertion Code Table

MCMEMx_ASST MCATTx_ASST MCIOx_ASST		x_ASST_WAIT	x_ASST_HOLD		x_ASST_WAIT + x_ASST_HOLD	
			(nPIOW asserted)	(nPIOR asserted)	(nPIOW asserted)	(nPIOR asserted)
Programmed Bit Value	Code decimal value	# MEMCLKs (minimum) to wait before checking for nPWAIT='1'	# MEMCLKs (minimum) to assert command (nPIOW) after nPWAIT='1'	# MEMCLKs (minimum) to assert command (nPIOR) after nPWAIT='1'	# MEMCLKs (minimum) command assertion time	# MEMCLKs (minimum) command assertion time
(Code)	(Code)	(Code + 2)	(2*Code + 3)	(2*Code + 4)	(3*Code + 5)	(3*Code + 6)
11101	29	31	61	62	92	93
11110	30	32	63	64	95	96
11111	31	33	65	66	98	99

6.8.2 Expansion Memory Configuration Register (MECR)

To eliminate external hardware, the two bits in MECR, shown in Table 6-30, are used to signal the memory controller when a card (16-Bit PC Card/Compact Flash) is inserted in the socket and the number of cards supported in the system. The number-of-sockets bit is required because the PSKTSEL pin is used as the nOE for the data transceivers in single socket mode. The card-is-there bit is used to reduce external hardware by ignoring nIOIS16 and nPWAIT when there is no card inserted in the socket.

This is a read/write register. Ignore reads from reserved bits. Write zeros to reserved bits.

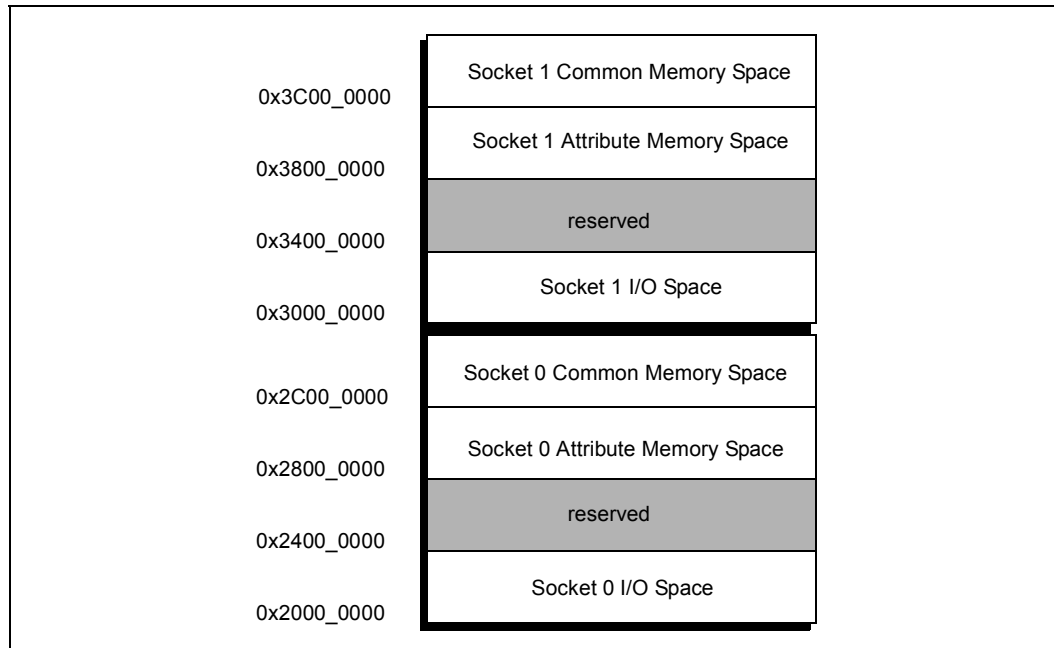
Table 6-30. MECR Bit Definition

4800_0014		MECR		Memory Controller																												
Bit	31	30	29	28	27	26	25	24	23	22	21	20	19	18	17	16	15	14	13	12	11	10	9	8	7	6	5	4	3	2	1	0
	reserved																										CIT	NOS				
Reset	0	0	0	0	0	0	0	0	0	0	0	0	0	0	0	0	0	0	0	0	0	0	0	0	0	0	0	0	0	0	0	
Bits	Name		Description																													
31:2	—		reserved																													
1	CIT		Card-Is-There 0 – No card inserted 1 – Card inserted Must be set by software when at least one card is present and must be cleared when all cards are removed.																													
0	NOS		Number-of-Sockets 0 – 1 Socket 1 – 2 Sockets																													

6.8.3 16-Bit PC Card Overview

The PXA255 processor 16-bit PC Card interface provides control for one 16-bit PC Card card slot with a PSKTSEL pin for support of a second slot. The PXA255 processor interface supports 8- and 16-bit peripherals and handles common memory, I/O, and attribute-memory accesses. The duration of each access is based on the values programmed in the fields in the MCMEMx, MCATTx, and MCIOx registers. Figure 6-26 shows the memory map for the 16-bit PC Card space.

Figure 6-26. 16-Bit PC Card Memory Map



The 16-bit PC Card Memory Map space is divided into eight partitions, four for each card slot. The four partitions for each card slot are: common memory, I/O, attribute memory, and a reserved space. Each partition starts on a 64-Mbyte boundary.

During an access, pins MA[25:0], nPREG, and PSKTSEL are driven at the same time. nPCE1 and nPCE2 are driven concurrently with the address signals for common memory and attribute-memory accesses. For I/O accesses, their value depends on the value of nIOIS16 and is valid a fixed amount of time after nIOIS16 is valid.

Common memory and attribute memory accesses assert the nPOE or nPWE control signals. I/O accesses assert the nIOR or nIOW control signals and use the nIOIS16 input signal to determine the bus width of the transfer (8 or 16 bits). The PXA255 processor uses nPCE2 to indicate to the expansion device that the upper half of the data bus (MD[15:8]) are used for the transfer, and nPCE1 to indicate that the lower half of the data bus (MD[7:0]) are used. nPCE1 and nPCE2 are asserted for 16-bit accesses.

Refer to Table 6-31 through Table 6-38 for signal combinations during common memory, I/O, and attribute accesses.

When writes goes to a card sockets and a byte has been masked via an internal byte enable, the write does not occur on the external bus. For reads, one half-word is always read from the socket, even if only 1 byte is requested. In some cases, based on internal address alignment, one word is read, even if only 1 byte is requested.

All DMA modes are supported in the Card interface increment the address.

Table 6-31. Common Memory Space Write Commands

nPCE2	nPCE1	MA<0>	nPOE	nPWE	MD[15:8]	MD[7:0]
0	0	0	1	0	Odd Byte	Even Byte
1	0	0	1	0	Unimportant	Even Byte
1	0	1	1	0	Unimportant	Odd Byte

Table 6-32. Common Memory Space Read Commands

nPCE2	nPCE1	MA<0>	nPOE	nPWE	MD[15:8]	MD[7:0]
0	0	0	0	1	Odd Byte	Even Byte

Table 6-33. Attribute Memory Space Write Commands

nPCE2	nPCE1	MA<0>	nPOE	nPWE	MD[15:8]	MD[7:0]
0	0	0	1	0	Unimportant	Even Byte
1	0	0	1	0	Unimportant	Even Byte
1	0	1	1	0	Unimportant	Unimportant

Table 6-34. Attribute Memory Space Read Commands

nPCE2	nPCE1	MA<0>	nPOE	nPWE	MD[15:8]	MD[7:0]
0	0	0	0	1	Unimportant	Even Byte

Table 6-35. 16-Bit I/O Space Write Commands (nIOIS16 = 0)

nPCE2	nPCE1	MA<0>	nPIOR	nPIOW	MD[15:8]	MD[7:0]
0	0	0	1	0	Odd Byte	Even Byte
1	0	0	1	0	Unimportant	Even Byte
1	0	1	1	0	Unimportant	Odd Byte

Table 6-36. 16-Bit I/O Space Read Commands (nIOIS16 = 0)

nPCE2	nPCE1	MA<0>	nPIOR	nPIOW	MD[15:8]	MD[7:0]
0	0	0	0	1	Odd Byte	Even Byte

Table 6-37. 8-Bit I/O Space Write Commands (nIOIS16 = 1)

nPCE2	nPCE1	MA<0>	nPIOR	nPIOW	MD[15:8]	MD[7:0]
1	0	0	1	0	Unimportant	Even Byte
1	0	1	1	0	Unimportant	Odd Byte

Table 6-38. 8-Bit I/O Space Read Commands (nIOIS16 = 1)

nPCE2	nPCE1	MA<0>	nPIOR	nPIOW	MD[15:8]	MD[7:0]
1	0	0	0	1	Unimportant	Even Byte
1	0	1	0	1	Unimportant	Odd Byte

6.8.4 External Logic for 16-Bit PC Card Implementation

The PXA255 processor requires external glue logic to complete the 16-bit PC Card socket interface that allows either 1-socket or 2-socket solutions.

Figure 6-27 and Figure 6-28 show general solutions for a one- and two-socket configuration. The pull-ups shown are included as specified in the *PC Card Standard - Volume 2 - Electrical Specification*. Low-power systems must remove power from the pull-ups during sleep to avoid unnecessary power consumption.

GPIO or memory-mapped external registers can be used to control the reset of the 16-bit PC Card interface, power selection (V_{CC} and V_{PP}), and drive enables. The INPACK# signal is not used.

Figure 6-27 and Figure 6-28 provide the logical connections necessary to support hot insertion capability. For dual-voltage support, level shifting buffers are required for all PXA255 processor input signals. Hot insertion capability requires that each socket be electrically isolated from the other and from the remainder of the memory system. If one or both of these features is not required, then some of the logic shown in the following diagrams can be eliminated.

Software is responsible for setting the MECR[NOS] and MECR[CIT] bits. NOS indicates the number of sockets that the system support while CIT is written when the Card is in place. Input pins nPWAIT and nIOIS16 are three stated until card detect (CD) signal is asserted. To achieve this, software programs the MECR[CIT] bit when a card is detected. If the MECR[CIT] is 0, the nPWAIT and nIOIS16 inputs are ignored.

Figure 6-27 shows the minimal glue logic needed for a 1-socket system, including: data transceivers, address buffers, and level shifting buffers. The transceivers are enabled by the PSKTSEL signal. The DIR pin of the transceiver is driven by the RD/nWR pin. A GPIO is used for the three-state signal of the address and nPWE lines. These signals must be three-stated because they are used for memories other than the card interface. The Card Detect[1:0] signals are driven by the signal device.

Figure 6-27. Expansion Card External Logic for a One-Socket Configuration

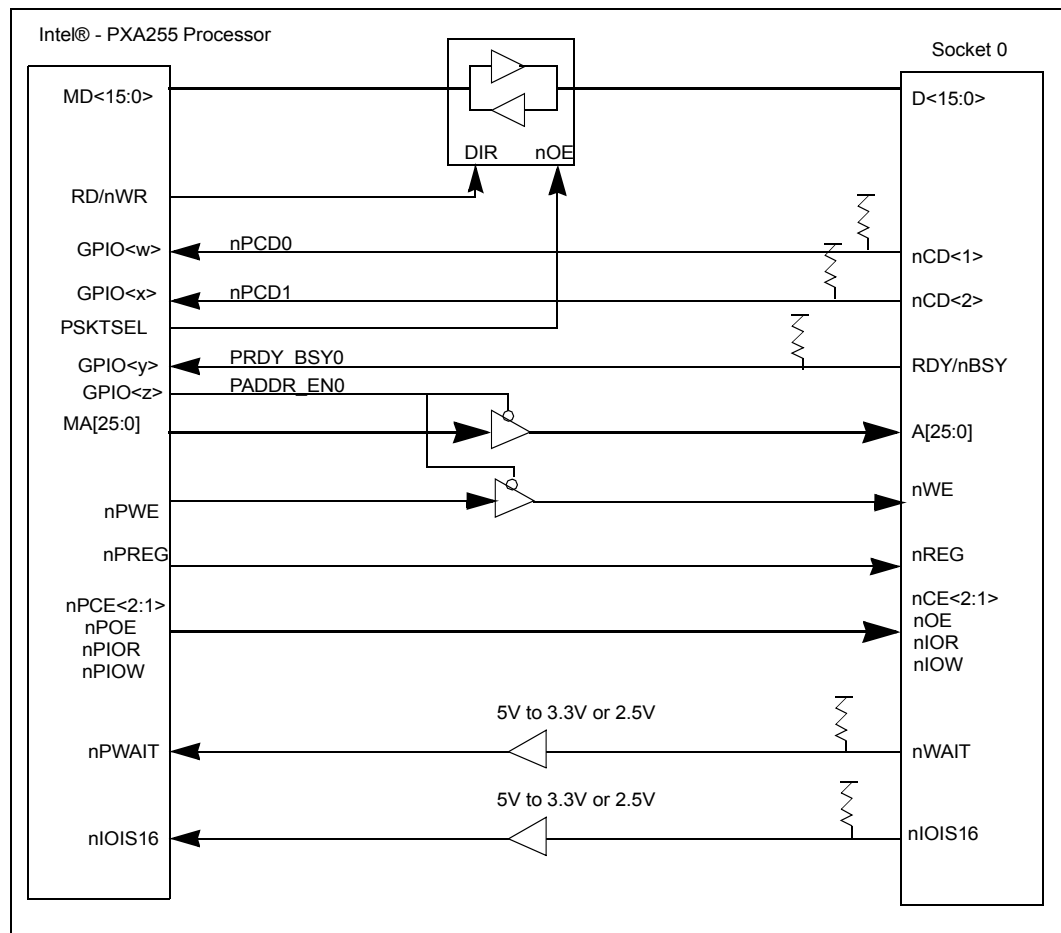
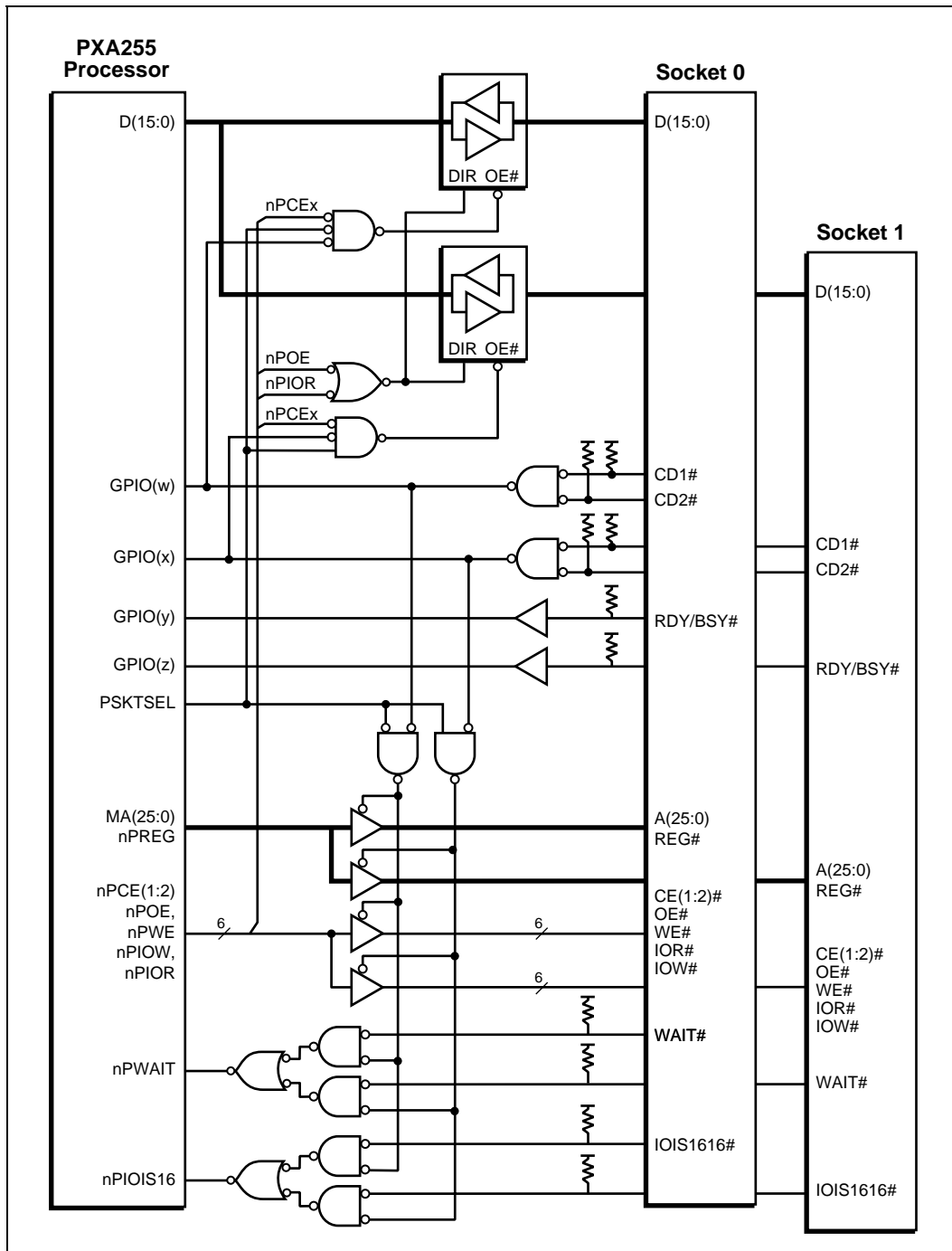


Figure 6-28 shows the glue logic need for a 2-socket system. RDY/nBSY signals are routed through a buffer to two separate GPIO pins. In the data bus transceiver control logic, nPCE1 controls the enable for the low byte lane and nPCE2 controls the enable for the high byte lane.

Figure 6-28. Expansion Card External Logic for a Two-Socket Configuration



6.8.5 Expansion Card Interface Timing Diagrams and Parameters

Figure 6-29 shows a 16-bit access to a 16-bit memory or I/O device. When common memory is accessed, the MCMEM0 and MCMEM1 registers are used, depending on whether card socket 0 or 1 is addressed. MCIO0 and MCIO1 are used for I/O accesses and MCATT0 and MCATT1 are used for access to attribute memory.

Figure 6-29. 16-Bit PC Card Memory or I/O 16-Bit (Half-word) Access

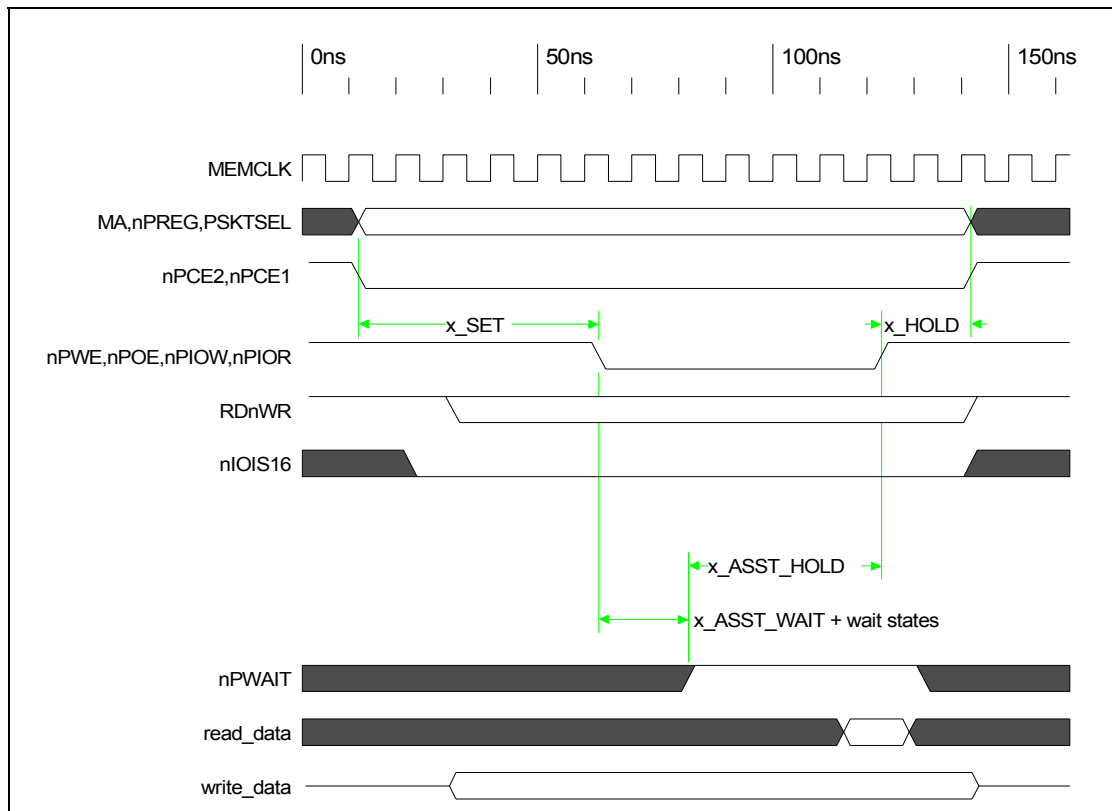
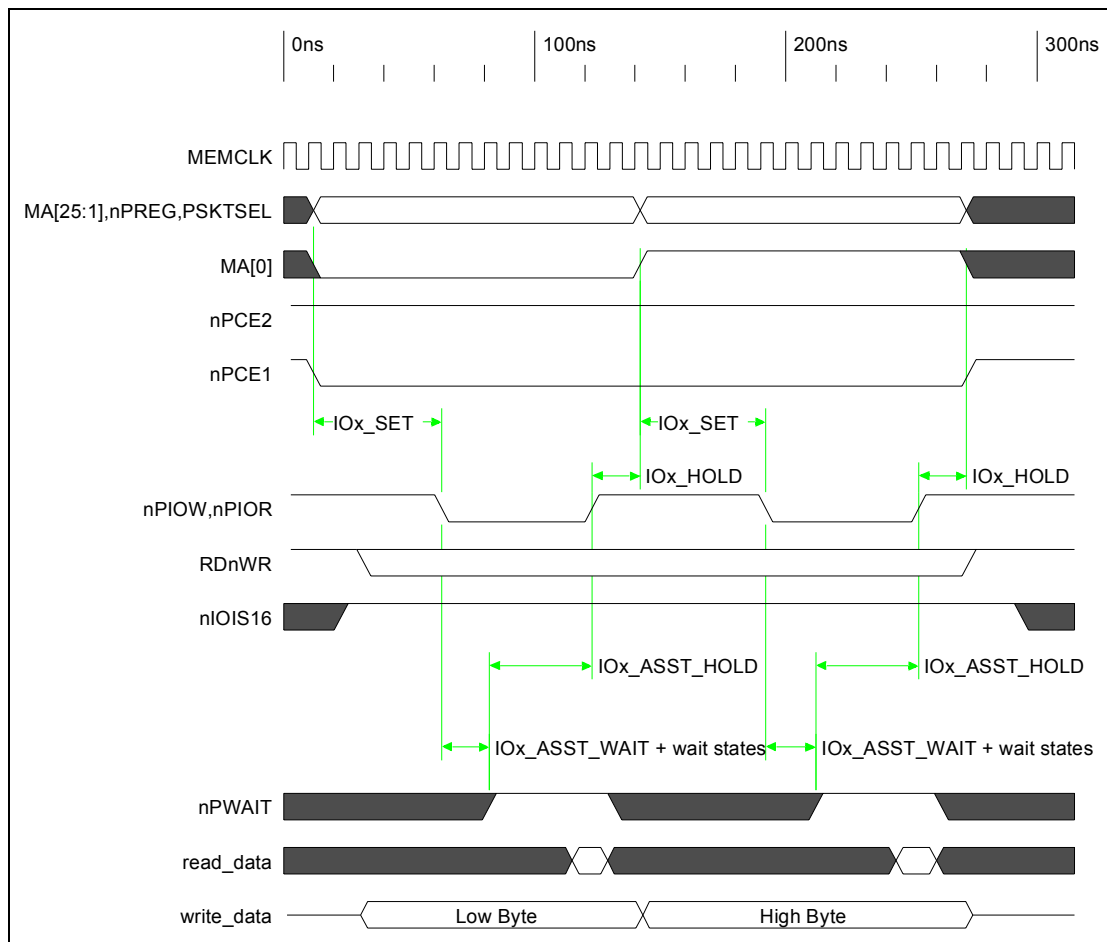


Figure 6-30. 16-Bit PC Card I/O 16-Bit Access to 8-Bit Device



The interface waits the smallest possible amount of time (x_ASST_WAIT) before it checks the value of the nPWAIT signal. If the nPWAIT signal is asserted (active low), the interface continues to wait (for a variable number of wait states) until nPWAIT is deasserted. When the nPWAIT signal is deasserted, the command continues to be asserted for a fixed amount of time (x_ASST_HOLD).

6.9 Companion Chip Interface

The processor can be connected to a companion chip in two different ways:

- Alternate Bus Master Mode
- Variable Latency I/O (See [Section 6.7.6](#))

The connection methods are illustrated in [Figure 6-31](#) and [Figure 6-32](#).

Figure 6-31. Alternate Bus Master Mode

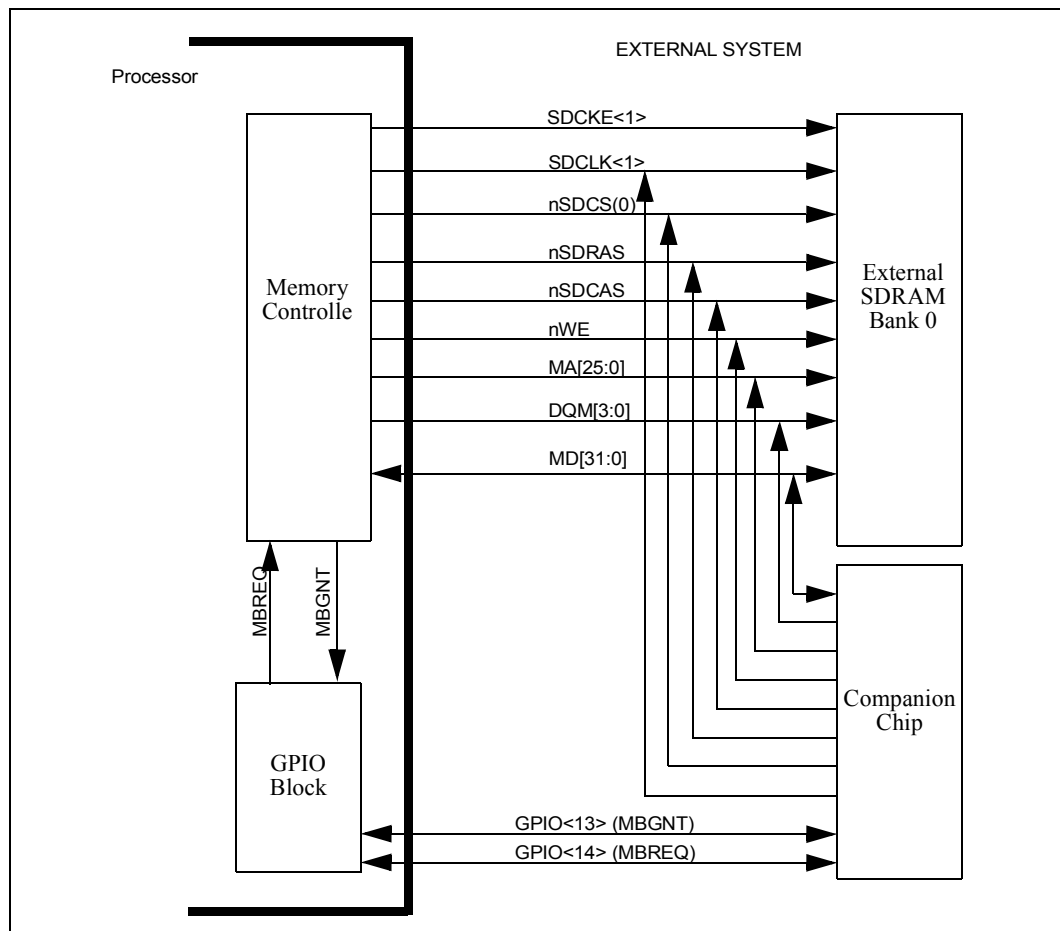
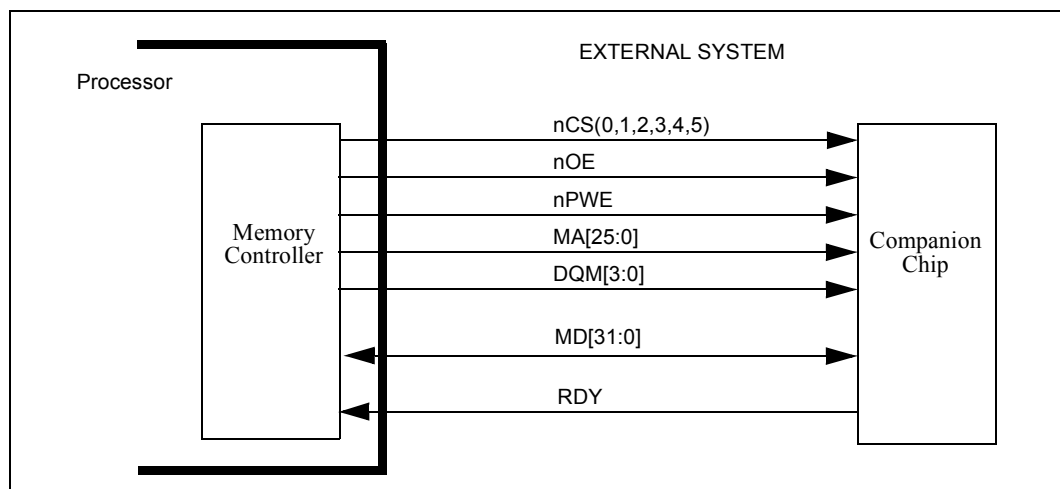


Figure 6-32. Variable Latency IO



6.9.1 Alternate Bus Master Mode

The processor supports the presence of an alternate master on the SDRAM memory bus. The alternate master is given control of the bus with a hardware handshake that is performed through MBREQ and MBGNT, which are invoked through the alternate functions on GPIO[14] and GPIO[13], respectively. The Memory Controller performs an SDRAM refresh if SDRAM clocks and clock enable are turned on. When the alternate master must take control of the memory bus, it asserts MBREQ. It then deasserts SDCKE<1> and three-states all memory bus pins used with SDRAM bank 0 (nSDCS<0>, MA[25:0], nOE, nWE, nSDRAS, nSDCAS, SDCLK<1>, MD[31:0], DQM[3:0]). All other memory and 16-bit PC Card pins remain driven. RD/nWR remain low. Then the processor asserts MBGNT, the alternate master starts to drive all pins including SDCLK<1>, and the processor reasserts SDCKE<1>.

The grant sequence and timing follow:

1. The Alternate master asserts MBREQ.
2. The Memory Controller performs an SDRAM refresh if SDRAM clocks and clock enable are turned on
3. If the MDCNFG:SA1111x bit is enabled, the Memory Controller sends the SDRAMs an MRS command to change the SDRAM burst length to one. The burst length is changed to one for SA-1111 compatibility.
4. The processor deasserts SDCKE<1> at time (t).
5. The processor three-states SDRAM outputs at time (t + 1 MEMCLK).
6. The processor asserts MBGNT at time (t + 2 MEMCLKS).
7. The Alternate master drives SDRAM outputs before time (t + 3 MEMCLKS).
8. The processor asserts SDCKE<1> at time (t + 4 MEMCLKS).

During the three-state period, both MBREQ and MBGNT remain high and an external device can take control of the three-stated pins. The external device must drive all the three-stated pins. Floating inputs can cause excessive crossover current and erroneous SDRAM commands. During the three-state period, the processor can not perform SDRAM refresh cycles.

The alternate master must assume the responsibility for SDRAM integrity during the three-state period. The system must be designed to ensure that the period of alternate mastership is limited to less than the refresh period or that the alternate master implements a refresh counter to perform refreshes at the proper intervals.

To surrender the bus, the alternate master deasserts MBREQ. The processor deasserts SDCKE<1> and MBGNT. The alternate master stops driving the SDRAM pins. The processor drives all SDRAM pins and then re-asserts SDCKE<1>.

The release sequence and timing follows:

1. The Alternate master deasserts MBREQ.
2. The processor deasserts SDCKE<1> at time (t).
3. The processor deasserts MBGNT at time (t + 1 MEMCLK).
4. The Alternate master three-states SDRAM outputs prior to time (t + 2 MEMCLKS).
5. The processor drives SDRAM outputs at time (t + 3 MEMCLKS).
6. The processor asserts SDCKE<1> at time (t + 4 MEMCLKS).

7. The Memory Controller performs an SDRAM refresh if SDRAM clocks and clock enable are turned on.
8. The Memory Controller sends an MRS command to the SDRAMs if the MDCNFG:SA1111x bit is enabled. This changes the SDRAM burst length back to four.

If the refresh counter for the processor requested a refresh cycle during the alternate master's tenure, a refresh cycle runs first, followed by any other bus transactions that stalled during that period.

To enable alternate bus master, the set up the signals by writing the following registers:

- Write the GPIO Pin Direction register GPDR0 to set bit 13 (make GPIO[13] an output) and clear bit 14 (make GPIO[14] an input)
- Write the GPIO Alternate Function register GAFR0_L to set bits 27 and 26 to 0b11 (enable the MBGNT alternate function 3) and set bits 29 and 28 to 0b01 (enable the MBREQ alternate function 1).

6.9.1.1 GPIO Reset

During GPIO reset, the GPIOs, including MBREQ and MBGNT, are set to their reset state. The MBREQ and MBGNT pins become general purpose inputs. The system must have external put-downs on these pins to prevent the pins from floating.

If a transaction is in progress when GPIO reset is asserted, the alternate master loses ownership of the bus. The alternate master must immediately give up the bus when MBGNT is deasserted. Because the memory controller is not reset, an SDRAM refresh can occur immediately after the GPIO reset assertion.

6.9.1.2 nVDD_FAULT/nBATT_FAULT with PMCR[IDAE] Disabled

If an nVDD_FAULT or nBATT_FAULT occurs, the processor places the GPIOs into their sleep states. MBGNT must be programmed to go low during sleep.

The memory controller prevents the processor from entering sleep until all outstanding transactions have completed. This includes waiting for the MBREQ signal from the alternate master to deassert. For best sleep performance, the alternate master must immediately give up the bus when MBGNT is deasserted. If necessary, the alternate master can hold the bus until its transaction is completed. After the memory controller has completed all outstanding transactions, it places SDRAM into self-refresh and allows the processor to complete the sleep entry sequence.

Note: The alternate bus master must de-assert MBREQ when nVDD_FAULT or nBATT_FAULT is asserted.

6.9.1.3 nVDD_FAULT/nBATT_FAULT with PMCR[IDAE] Enabled

If an nVDD_FAULT or nBATT_FAULT occurs with PMCR[IDAE] enabled, the processor causes an Imprecise Data Abort Exception. This allows the processor to do any required actions before sleep entry. Sleep entry with PMCR[IDAE] enabled is similar to normal sleep entry. The processor places the GPIOs into their sleep states. MBGNT must be programmed to go low during sleep.

The memory controller prevents the processor from entering sleep until all outstanding transactions have completed. This includes waiting for the MBREQ signal from the alternate master to deassert. For best sleep performance, the alternate master must immediately give up the bus when MBGNT

is deasserted or, as part of the sleep entry routine, the alternate master can be disabled. If necessary, the alternate master can hold the bus until its transaction is completed. After the memory controller has completed all outstanding transactions, it places SDRAM into self-refresh and allows the processor to complete the sleep entry sequence.

Note: The alternate bus master must de-assert MBREQ when nVDD_FAULT or nBATT_FAULT is asserted.

6.10 Options and Settings for Boot Memory

This section explains the settings that control Boot Memory configurations.

6.10.1 Alternate Booting

The processor allows six boot configurations. These configurations are determined by the three BOOT_SEL(2:0) pins and are described in Table 6-39. A description of the effect of these input pins on the Configuration registers at boot time is included in Section 6.8.

Table 6-39. BOOT_SEL Definitions

BOOT_SEL			Boot From...
2	1	0	
0	0	0	Asynchronous 32-bit ROM
0	0	1	Asynchronous 16-bit ROM
0	1	0	reserved
0	1	1	reserved
1	0	0	1- 32-bit Synchronous Mask ROM (64 Mbit) 2- 16-bit Synchronous Mask ROMs = 32 bits (32 Mbit each)
1	0	1	1- 16-bit Synchronous Mask ROM (64 Mbit)
1	1	0	2- 16-bit Synchronous Mask ROMs = 32 bits (64 Mbit each)
1	1	1	1- 16-bit Synchronous Mask ROM (32 Mbit)

6.10.2 Boot Time Defaults

The following sections provide information on boot time default parameters.

6.10.2.1 BOOT_DEF Read-Only Register (BOOT_DEF)

BOOT_DEF, shown in Table 6-40, contains the boot-up values for the three BOOT_SEL pins and the single package-type bit.

This is a read-only register. Ignore reads from reserved bits.

Table 6-40. BOOT_DEF Bitmap

		0x4800_0044															BOOT_DEF			Memory Controller															
Bit		31	30	29	28	27	26	25	24	23	22	21	20	19	18	17	16	15	14	13	12	11	10	9	8	7	6	5	4	3	2	1	0		
		reserved																												PKG_TYPE	BOOT_SEL				
Reset		0	0	0	0	0	0	0	0	0	0	0	0	0	0	0	0	0	0	0	0	0	0	0	0	0	0	0	0	0	0	*	*	*	*
Bits	Name	Description																																	
31:4	—	reserved																																	
3	PKG_TYPE	PROCESSOR TYPE (read only): 0 – Reserved 1 – PXA255 processor																																	
2:0	BOOT_SEL	BOOT SELECT (read only): Contains the three inputs pins BOOT_SEL[2:0] for the processor. See Table 6-39 . See Table 6-41 for valid boot configurations. See Section 6.10.2.2 for descriptions of Boot Time Configurations.																																	

Table 6-41. Valid Boot Configurations Based on Processor Type

Processor Type	Boot_Sel Signals Valid Booting Configurations
(PXA255 processor)	000
	001
	100
	101
	110
	111

6.10.2.2 Boot-Time Configurations

The boot time configurations are shown in Figure 6-33 - Figure 6-35. A boot from a single 32-Mbit SMROM with nWORD = 1 is not supported.

Three Configuration registers are affected at reset - MSC0:RBW0, MDREFR:E0PIN/K0RUN, and SXCNFG.

Figure 6-33. Asynchronous Boot Time Configurations and Register Defaults

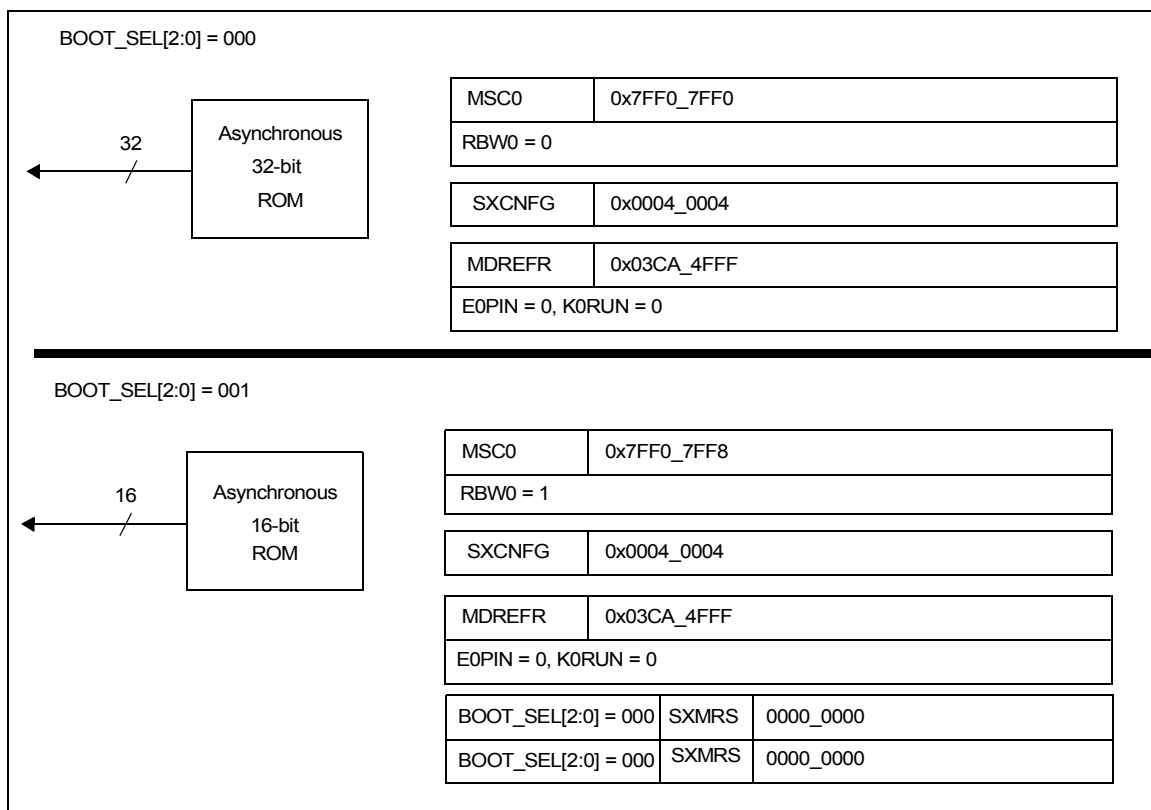


Figure 6-34. SMROM Boot Time Configurations and Register Defaults

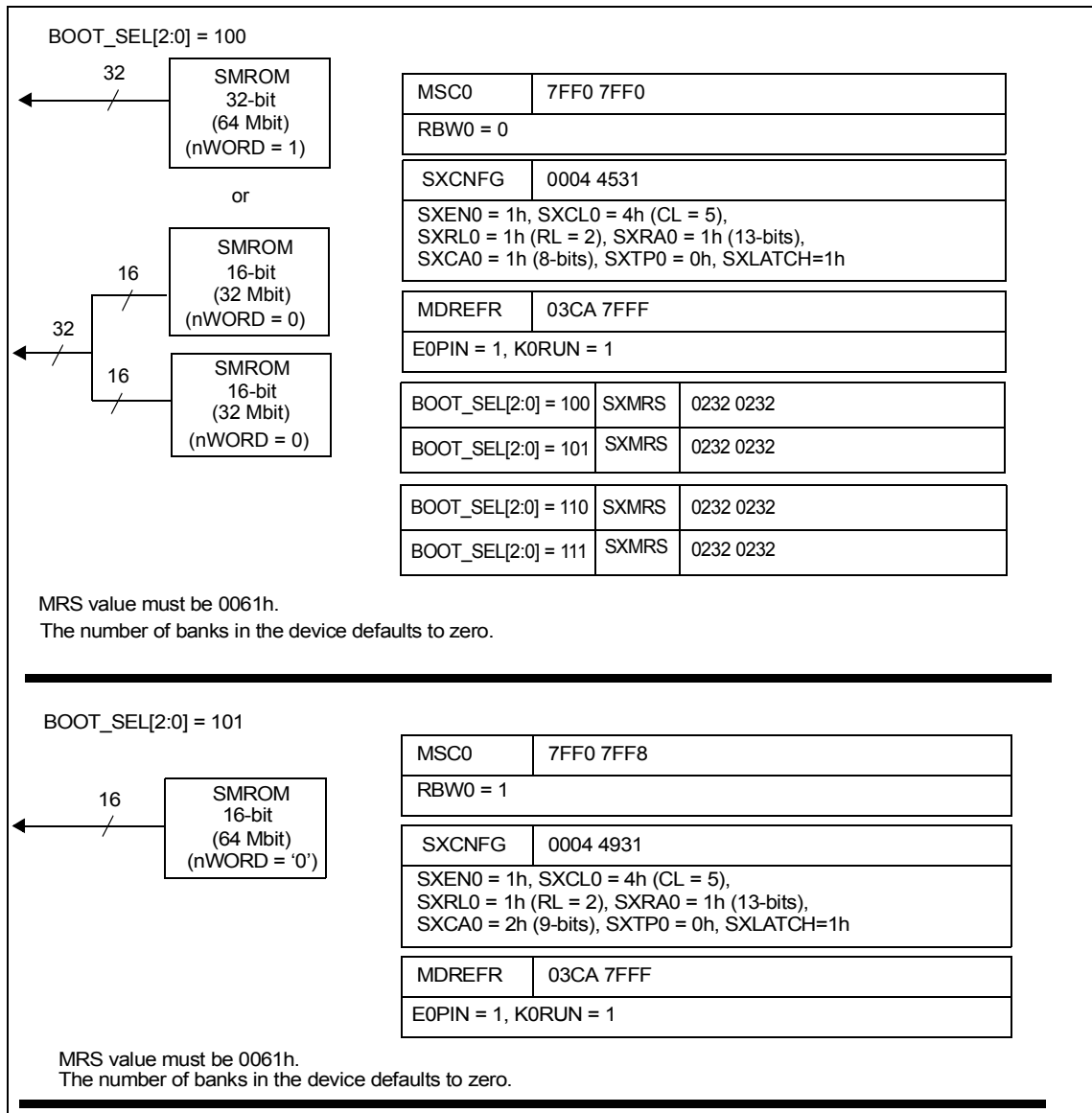
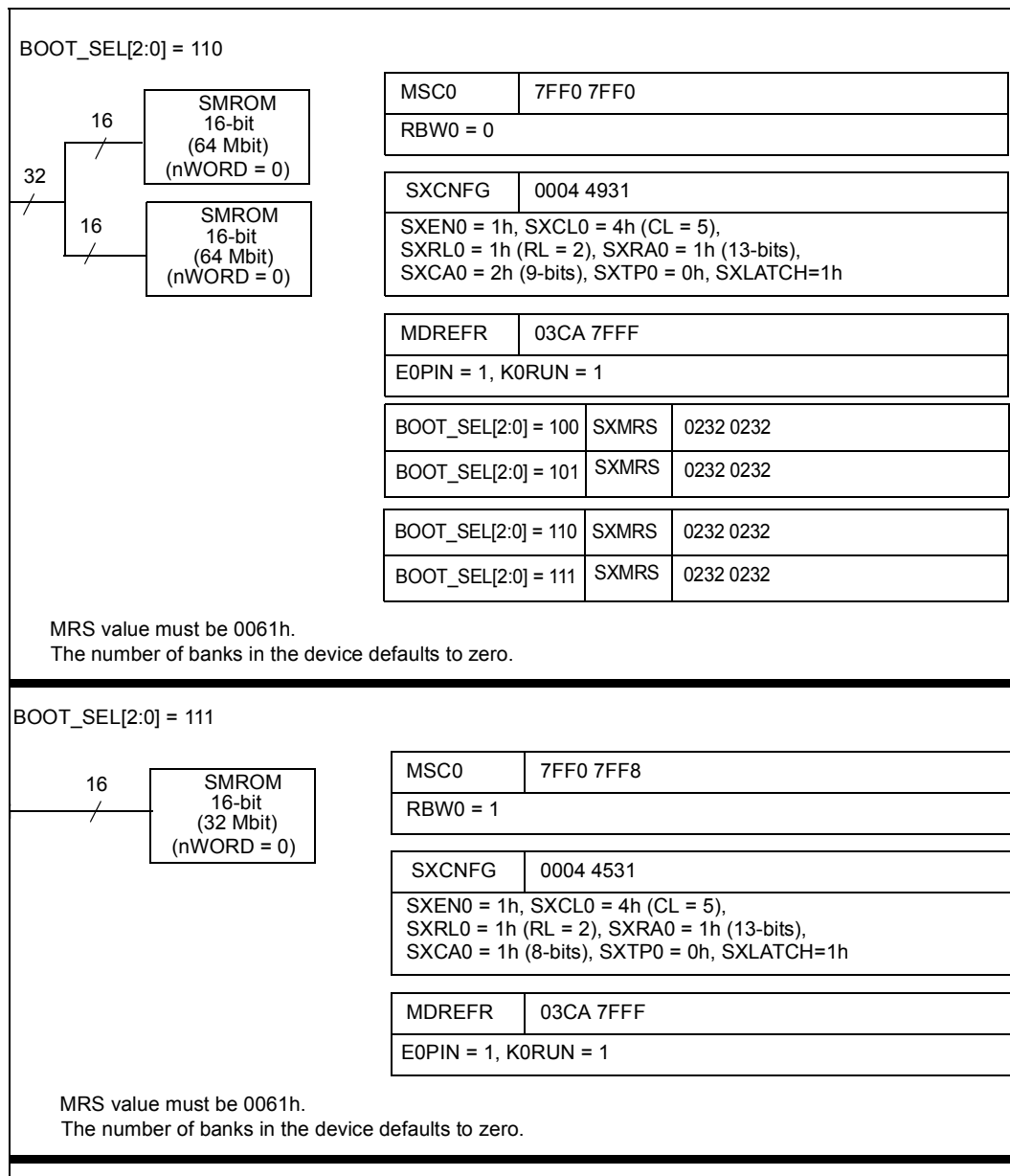


Figure 6-35. SMROM Boot Time Configurations and Register Defaults



6.10.3 Memory Interface Reset and Initialization

On reset, the SDRAM Interface is disabled. Reset values for the Boot ROM are determined by BOOT_SEL. The memory pins and controller are in the state shown in [Table 6-42](#).

Table 6-42. Memory Controller Pin Reset Values

Pin Name	PXA255 Processor Reset Value
SDCLK [2:0]	000
SDCKE <1>	00
SDCKE <0>	1 if BOOT_SEL = Synchronous Memory
DQM [3:0]	0000
nSDCS [3:0]	1111
nWE	1
nSDRAS	1
nSDCAS	1
nOE	1
MA [25:0]	0x0000000h
RDnWR	0
MD [31:0]	0x00000000h
nCS <0>	1
nCS <5:1>	GPIO Input
nPIOIR	GPIO Input
nPIOIW	GPIO Input
nPOE	GPIO Input
nPWE	GPIO Input

In sleep mode, the memory pins and controller are in the same state as they are after a hardware reset, except that the GPIO signals are driven high. If SDRAMs are in self-refresh, they are held there by setting SDCKE<1> to a 0.

6.11 Hardware, Watchdog, or Sleep Reset Operation

Software performs the following procedures when the processor comes out of a reset:

- After hardware reset, complete a power-on wait period of 200 μ s, which allows the internal clocks that generate SDCLK to stabilize. Enable MDREFR:K0RUN and E0PIN for Synchronous Static memory. When MDREFR is written, a refresh interval value (MDREFR:DRI) must also be written. The following writes are allowed:
 - Write MSC0, MSC1, MSC2
 - Write MECR, MCMEM0, MCMEM1, MCATT0, MCATT1, MCIO0, MCIO1
 - Write MDREFR:K0RUN and MDREFR:E0PIN. Configure MDREFR:K0DB2. Retain the current values of MDREFR:APD and MDREFR:SLFRSH. MDREFR:DRI must contain a valid value. Deassert MDREFR:KxFREE.
- In systems that contain Synchronous Static memory, write to the SXCNFG to configure all appropriate bits, including the enable bits. Software must perform a sequence that involves a subsequent write to SXCNFG to change the RAS latencies. While any SMROM banks are

- being configured, the SDRAM banks must be disabled and MDREFR:APD must be deasserted (auto-power-down disabled).
- a. Write SXCNFG (with enable bits asserted).
 - b. Write to SXMRS to trigger an MRS command to all enabled banks of synchronous static memory.
 - c. SXLCR must only be written when it is required by the SDRAM-like synchronous flash device for command encoding.
3. In systems that contain SDRAM, transition the SDRAM controller through the following state sequence:
 - a. self-refresh and clock-stop
 - b. self-refresh
 - c. power-down
 - d. PWRDNX
 - e. NOP
 4. The SDRAM clock run and enable bits (MDREFR:K1RUN, K2RUN, and E1PIN), described in [Section 6.5.3](#). MDREFR:SLFRSH must not be asserted.
 - a. Write MDREFR:K1RUN, K2RUN (self-refresh and clock-stop -> self-refresh). Configure MDREFR:K1DB2,K2DB2.
 - b. Write MDREFR:SLFRSH (self-refresh -> power-down).
 - c. Write MDREFR:E1PIN (power-down -> PWRDNX).
 - d. a write is not required for this state transition (PWRDNX -> NOP).
 - e. Configure, but do not enable, each SDRAM partition pair.
 - f. Write MDCNFG (with enable bits deasserted), MDCNFG:DE3:2,1:0 set to '0'.
 5. For systems that contain SDRAM, wait a specified NOP power-up waiting period required by the SDRAMs to ensure the SDRAMs receive a stable clock with a NOP condition
 6. Ensure the Data Cache bit (DCACHE) is disabled. If this bit is enabled, the refreshes triggered by the next step may not pass through to the Memory Controller properly.
 7. On a hardware reset in systems that contain SDRAM, trigger the specified number (typically eight) of refresh cycles by attempting non-burst read or write accesses to any disabled SDRAM bank. Each such access causes a simultaneous CBR refresh cycles for all four banks, which causes a pass through the CBR state and back to NOP. On the first pass, the PALL state occurs before the CBR state.
 8. Re-enable the DCACHE bit if it is disabled.
 9. In systems that contain SDRAM, enable SDRAM partitions by setting MDCNFG:DE3:2,DE1:0.
 10. In systems containing SDRAM, write the MDMRS register to trigger an MRS command to all enabled banks of SDRAM. For each SDRAM partition pair that has one or both partitions enabled, this forces a pass through the MRS state and back to NOP. The CAS latency must be the only variable option and is derived from the value programmed in the MDCNFG:MDTC0,2 fields. The burst type is programmed to sequential and the length is set to four.

11. Optionally, in systems that contain SDRAM or Synchronous Static memory, enable auto-power-down by setting MDREFR[APD].

6.12 GPIO Reset Procedure

On a GPIO Reset, the Memory Controller registers keep the values they had before the reset. No new configuration programming is required. However, SDRAM refreshes do not occur during the reset time. After nRESET_OUT is deasserted, the memory controller will continue refreshing. By ensuring a refresh time for SDRAM that is smaller than the default, it is possible to preserve the SDRAM contents. To do this, follow this procedure:

The SDRAM refresh time is chosen by taking the specified refresh time, typically 64 ms, and subtracting the GPIO Reset time (found in the *Intel® PXA255 Applications Processors Electrical, Mechanical, and Thermal Specification*). For example, the GPIO Reset time is ~360 microseconds, leaving an SDRAM refresh time of (64 ms - 0.360 ms) = 63.64 ms. Use this time to program the MDREFR[DRI].

In the boot code, determine the type of reset. If the reset was a GPIO reset, then refresh all the SDRAM rows. Refreshing all the SDRAM rows preserves their value in case GPIO reset occurs again.

After all the SDRAM rows have been refreshed, enable GPIO reset

6.13 Memory Controller Register Summary

Table 6-43 shows the registers associated with the memory interface and the physical addresses used to access them. These registers must be mapped as non-cacheable and non-bufferable and can only be a single word access. They are grouped together in one page and all have the same memory protections.

Table 6-43. Memory Controller Register Summary (Sheet 1 of 2)

Physical Address	Symbol	Register Name
0x4800_0000	MDCNFG	SDRAM Configuration Register
0x4800_0004	MDREFR	SDRAM Refresh Control Register
0x4800_0008	MSC0	Static Memory Control Register 0
0x4800_000C	MSC1	Static Memory Control Register 1
0x4800_0010	MSC2	Static Memory Control Register 2
0x4800_0014	MECR	Expansion Memory (16-bit PC Card / Compact Flash) Bus Configuration register
0x4800_001C	SXCNFG	Synchronous Static Memory Control Register
0x4800_0024	SXMRS	MRS value to be written to SMROM
0x4800_0028	MCMEM0	Card interface Common Memory Space Socket 0 Timing Configuration
0x4800_002C	MCMEM1	Card interface Common Memory Space Socket 1 Timing Configuration
0x4800_0030	MCATT0	Card interface Attribute Space Socket 0 Timing Configuration
0x4800_0034	MCATT1	Card interface Attribute Space Socket 1 Timing Configuration
0x4800_0038	MCIO0	Card interface I/O Space Socket 0 Timing Configuration

Table 6-43. Memory Controller Register Summary (Sheet 2 of 2)

Physical Address	Symbol	Register Name
0x4800_003C	MCIO1	Card interface I/O Space Socket 1 Timing Configuration
0x4800_0040	MDMRS	MRS value to be written to SDRAM
0x4800_0044	BOOT_DEF	Read-Only Boot-time register. Contains BOOT_SEL and PKG_SEL values.
0x4800_0058	MDMRSLP	Low-Power SDRAM Mode Register Set Configuration Register

The LCD controller provides an interface from the PXA255 processor to a passive (DSTN) or active (TFT) flat panel display. Monochrome and several color pixel formats are supported.

7.1 Overview

The processor LCD controller supports single- or dual-panel displays. Encoded pixel data created by the core is stored in external memory in a frame buffer in 1, 2, 4, 8, or 16-bit increments. The data is fetched from external memory and loaded into a first-in first-out (FIFO) buffer on a demand basis, using the LCD controller's dedicated dual-channel DMA controller (DMAC). One channel is used for single-panel displays and two are used for dual-panel displays.

Frame buffer data contains encoded pixel values that are used by the LCD controller as pointers to index a 256-entry x 16-bit-wide palette. For 16 bit per pixel frame buffer entries, the palette RAM is bypassed. Monochrome palette entries are eight bits wide, and color palette entries are 16 bits wide. The encoded pixel data determines the number of possible colors within the palette as follows:

- 1-bit-wide pixels address the top 2 locations of the palette
- 2-bit-wide pixels address the top 4 locations of the palette
- 4-bit-wide pixels address the top 16 locations of the palette
- 8-bit-wide pixels address any of the 256 entries within the palette
- 16-bit-wide pixels bypass the palette

When passive color 16-bit pixel mode is enabled, the color pixel values bypass the palette and are fed directly to the LCD controller's Frame Rate Control logic. When active color 16-bit pixel mode is enabled, the pixel value bypasses the palette and the Frame Rate Control logic and is sent directly to the LCD controller's data pins. Optionally, the palette RAM is loaded for each frame by the LCD controller's DMAC.

Once the encoded pixel value is used to select a palette entry, the value programmed within the entry is transferred to the Frame Rate Control logic, which uses the Temporal Modulated Energy Distribution (TMED) algorithm to produce the pixel data that is sent to the screen. Frame Rate Control is a technique used to create additional color shades by rapidly turning on and off a pixel on the LCD screen. This is also known as temporal dithering. The data output from the dither logic is grouped into the selected format (e.g., 8-bit color, dual panel, 16-bit color., etc.) and placed in a FIFO buffer before being sent out on the LCD controller's pins and driven to the display using the pixel clock.

Depending on the type of panel used, the LCD controller is programmed to use either 4-, 8-, or 16-pixel data output pins. Single-panel monochrome displays use either four or eight data pins to send 4 or 8 pixels for each pixel clock. Single-panel color displays use eight pins to send 2-2/3 pixels each pixel clock ($8 \text{ pins} / 3 \text{ colors/pixel} = 2 \frac{2}{3} \text{ pixels per clock}$). The LCD controller also supports dual-panel mode, in which the LCD controller's data lines are split into two groups, one to drive the top half and one to drive the bottom half of the screen. For dual-panel displays, the number of pixel data output pins is doubled, allowing twice as many pixels to be sent each pixel clock to the two halves of the screen.

In active color display mode, the LCD controller can drive TFT displays. When using 1-, 2-, 4-, or 8-bit modes, the LCD's dither logic is bypassed, and the pixel value is sent from the palette buffer directly to the LCD's data output pins. 16-bit pixel mode bypasses both the palette and the dither logic.

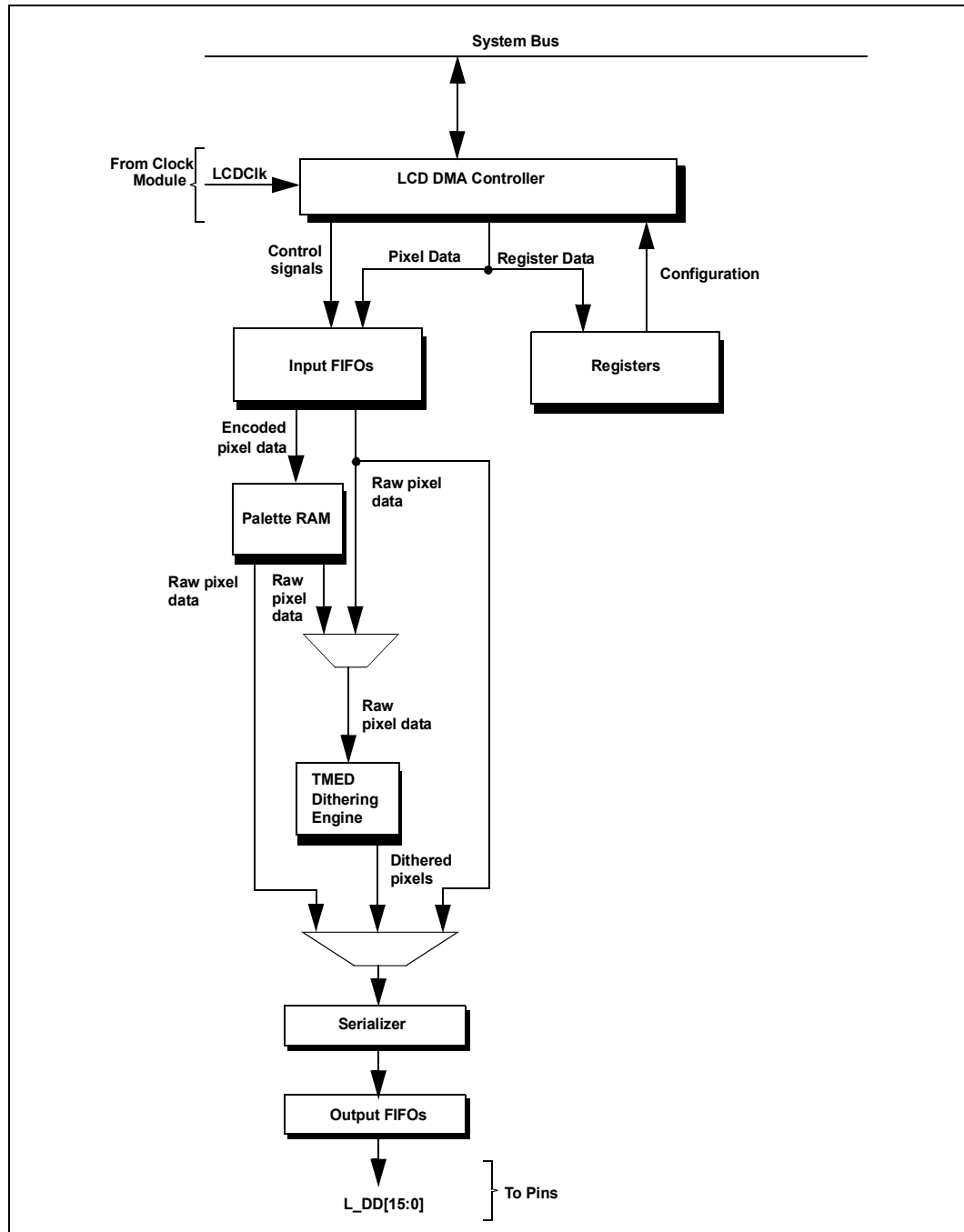
7.1.1 Features

The processor LCD controller supports the following features:

- Display modes:
 - single- or dual-panel displays
 - up to 256 gray-scale levels (8 bits) in Passive Monochrome Mode
 - a total of 65536 possible colors in Passive Color Mode (using the 16-bit TMED dithering algorithm)
 - up to 65536 colors in Active Color Mode (16 bits, bypasses palette)
 - passive 8-bit color single-panel displays
 - passive 8-bit (per panel) color dual-panel displays
- Display sizes up to 1024x1024 pixels, recommended maximum of 640x480
- Internal color palette RAM 256 entry by 16 bits (can be loaded automatically at the beginning of each frame)
- Encoded pixel data of 1, 2, 4, 8, or 16 bits
- Programmable toggle of AC bias pin output (toggled by line count)
- Programmable pixel clock from 195 kHz to 83 MHz (100 MHz/512 to 166 MHz/2)
- Integrated 2-channel DMA (one channel for palette and single panel, the other channel for second panel in dual-panel mode).
- Programmable wait-state insertion at the beginning and end of each line
- Programmable polarity for output enable, frame clock, and line clock
- Programmable interrupts for input and output FIFO underrun
- Programmable frame and line clock polarity, pulse width, and wait counts

Figure 7-1 illustrates a simplified, top-level block diagram for the processor LCD Controller.

Figure 7-1. LCD Controller Block Diagram



7.1.2 Pin Descriptions

When the LCD controller is enabled, all of the LCD pins are outputs only. When the LCD controller is disabled, its pins can be used for general-purpose input/output (GPIO). Refer to the System Integration Unit chapter for details.

Table 7-1 describes the LCD controller's pins. For more detailed information, see [Section 7.3.5](#). All of the LCD pins are outputs only.

Table 7-1. Pin Descriptions

Pin	Definition
L_DD[7:0]	These data lines transmit either four or eight data values at a time to the LCD display. For monochrome displays, each pin value represents a single pixel. For passive color, groupings of three pin values represent one pixel (red, green, and blue subpixel data values). In single-panel monochrome mode, L_DD<3:0> pins are used. For double-pixel data, single-panel monochrome, dual-panel monochrome, single-panel color, and active color modes, L_DD[7:0] are used.
L_DD[15:8]	When dual-panel color or TFT (active color mode) operation is programmed, these data outputs are also required to send pixel data to the screen.
L_PCLK	The Pixel Clock is used by the LCD display to clock the pixel data into the line shift register. In passive mode, the pixel clock toggles only when valid data is available on the data pins. In active mode, the pixel clock toggles continuously, and L_BIAS serves as an output to signal when data is valid on the LCD's data pins.
L_LCLK	The Line Clock is used by the LCD display to signal the end of a line of pixels. The display transfers the line data from the shift register to the screen and increments the line pointer. In active mode, it is the horizontal synchronization signal.
L_FCLK	The Frame Clock is used by the LCD display to signal the start of a new frame of pixels. The display resets the line pointer to the top of the screen. In active mode, it is the vertical synchronization signal.
L_BIAS	AC Bias is used to signal the LCD display to switch the polarity of the power supplies to the row and column drivers of the screen to counteract DC offset. In active mode, it serves as the output enable to signal when data is latched from the data pins using the Pixel Clock.

7.2 LCD Controller Operation

7.2.1 Enabling the Controller

If the LCD controller is being enabled for the first time after system reset or sleep reset, all of the LCD registers must be programmed as follows:

1. Configure the General Purpose I/O (GPIO) pins for LCD controller functionality. See [Chapter 4, "System Integration Unit"](#) for details.
2. Write the frame descriptors and, if needed, the palette descriptor to memory.
3. Program all of the LCD configuration registers *except* the Frame Descriptor Address Registers (FDADR_x) and the LCD Controller Configuration Register 0 (LCCR0). See [Section 7.6](#) for details of all registers.
4. Program FDADR_x with the memory address of the palette/frame descriptor, as described in [Section 7.6.5.2](#).
5. Enable the LCD controller by writing to LCCR0, as described in [Section 7.6.1](#).

If the LCD controller is being re-enabled, there has *not* been a reset since the last programming, and the GPIO pins are still configured for LCD Controller functionality, only the registers FDADR_x and LCCR0 need to be reprogrammed. The LCD Controller Status Register (LCSR) must also be written to clear any old status flags before re-enabling the LCD controller. See [Section 7.6.7](#) for details.

7.2.2 Disabling the Controller

The LCD controller can be disabled in two ways: regular and quick.

Regular disabling, the recommended method for stopping the LCD controller, is accomplished by setting the disable bit, LCCR0[DIS]. The other bits in LCCR0 must not be changed — read the register, set the DIS bit, and rewrite the register. This method causes the LCD controller to stop cleanly at the end of the frame currently being fetched from memory. If the LCD DMAC is fetching palette data when DIS is set, the palette RAM load is completed, and the next frame is displayed before the LCD is disabled. The LCD Disable Done bit, LCSR[LDD], is set when the LCD controller finishes displaying the last frame fetched, and the enable bit, LCCR0[ENB], is cleared automatically by hardware.

Quick disabling is accomplished by clearing the enable bit, LCCR0[ENB]. The LCD controller will finish any current DMA transfer, stop driving the panel, and shut down immediately, setting the quick-disable bit, LCSR[QD]. This method is intended for situations such as a battery fault, where system bus traffic has to be minimized immediately so the processor can have enough time to store critical data to memory before the loss of power. The LCD controller must not be re-enabled until the QD bit is set, indicating that the quick shutdown is complete.

Once disabled, the LCD Controller automatically disables its clocks to conserve power.

7.2.3 Resetting the Controller

At reset, the LCD Controller is disabled, and the output pins are configured as GPIO pins. All LCD Controller Registers are reset to the conditions shown in the register descriptions.

7.3 Detailed Module Descriptions

This section describes the functions of the modules in the LCD Controller:

7.3.1 Input FIFOs

Data fetched from external memory by the dedicated DMAC is placed in one of two input FIFO buffers. Each input FIFO comprises 128 bytes, organized as 16 entries by 8 bytes. In single-panel mode, one FIFO is used to queue both encoded pixel data and data for writing to the internal palette RAM. In dual-panel mode, this FIFO queues data for the internal palette RAM and the upper half of the LCD display, while the second FIFO buffer holds data for the lower half of the LCD display.

The FIFO signals a service request to the DMAC whenever four FIFO entries are empty. In turn, the DMAC automatically fills the FIFO with a 32-byte burst. Pixel data from the frame buffer remains packed within individual 8-byte entries when it is loaded into the FIFO. If the pixel size is

1, 2, 4, or 8-bits, the FIFO entries are unpacked and used to index the palette RAM to read the color value. In 16-bit passive mode, the entries bypass the palette and go directly to the TMED dither logic. In 16-bit active mode, the pixels are sent directly to the pins.

7.3.2 Lookup Palette

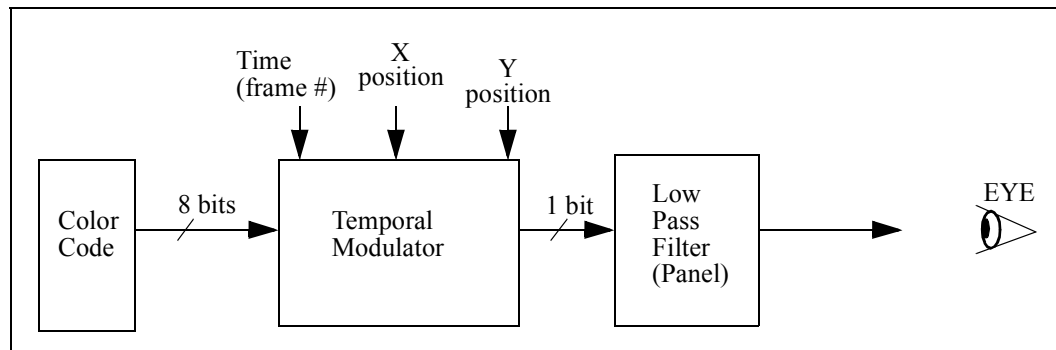
The internal palette RAM holds up to 256 16-bit color values. Color palette RAM entries are 16 bits wide, with 5 bits of red, 6 bits of green, and 5 bits of blue. Monochrome entries are 8 bits wide. Encoded pixel values from the input FIFO are used as an address to index and select individual palette locations. 1-bit pixel encodings address the first 2 entries, 2-bit pixel encodings address the first 4 entries, 4-bit pixel encodings address 16 locations, and 8-bit pixel encodings select any of the 256 palette entries. In 16-bit pixel mode, the palette RAM is not used and must not be loaded.

7.3.3 Temporal Modulated Energy Distribution (TMED) Dithering

For passive displays, entries selected from the lookup palette (or directly from memory for 16-bit pixels) are sent to the TMED dithering algorithm. TMED is a form of temporal dithering, also known as frame rate control. The algorithm determines whether a pixel is on or off.

Understanding how the TMED dithering algorithm works is not necessary to use the processor LCD controller. However, certain characteristics of the algorithm can be controlled through the use of the TMEDRGB Seed Register (Table 7-14) and the TMED Control Register (TCR, Table 7-15). If these registers are to be modified from their default values, refer to this section. Figure 7-2 illustrates the TMED concept.

Figure 7-2. Temporal Dithering Concept - Single Color



This dithering concept is applied separately to each color displayed. Each color has zeros added to make the data for each color 8 bits. If a monochrome display is used, only a single matrix (blue) is used.

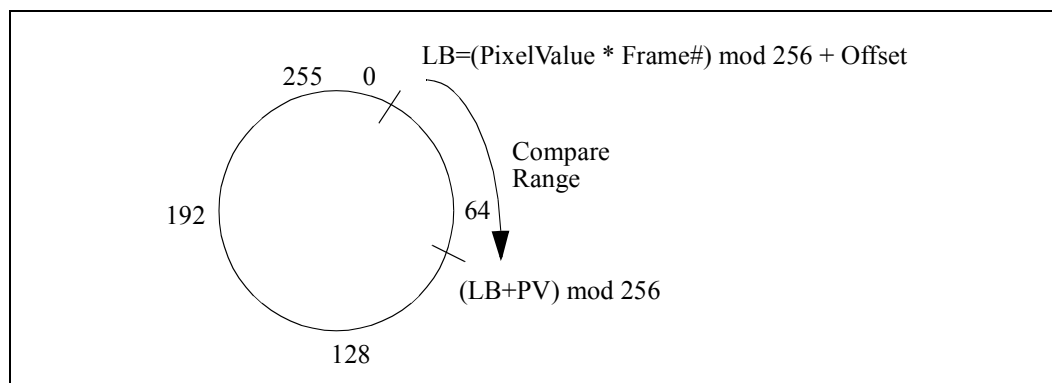
The processor LCD Controller implements the following algorithm, which is used by TMED to determine an upper and lower boundary:

$$\text{LowerBoundary} = [(\text{PixelValue} * \text{FrameNumber}) \bmod 256] + \text{Offset}$$

$$\text{UpperBoundary} = [(\text{PixelValue} + \text{LowerBoundary}) \bmod 256]$$

A 16x16 matrix uses the row (line), column (pixel number), and frame number (which wraps back to 0 from 255) to select a matrix value. When the matrix value is between the lower and upper boundaries from the algorithm, the LCD controller sends a “1” to the LCD panel. The boundaries created by the algorithm are circular, wrapping from 255 back to 0, as shown in Figure 7-3.

Figure 7-3. Compare Range for TMED

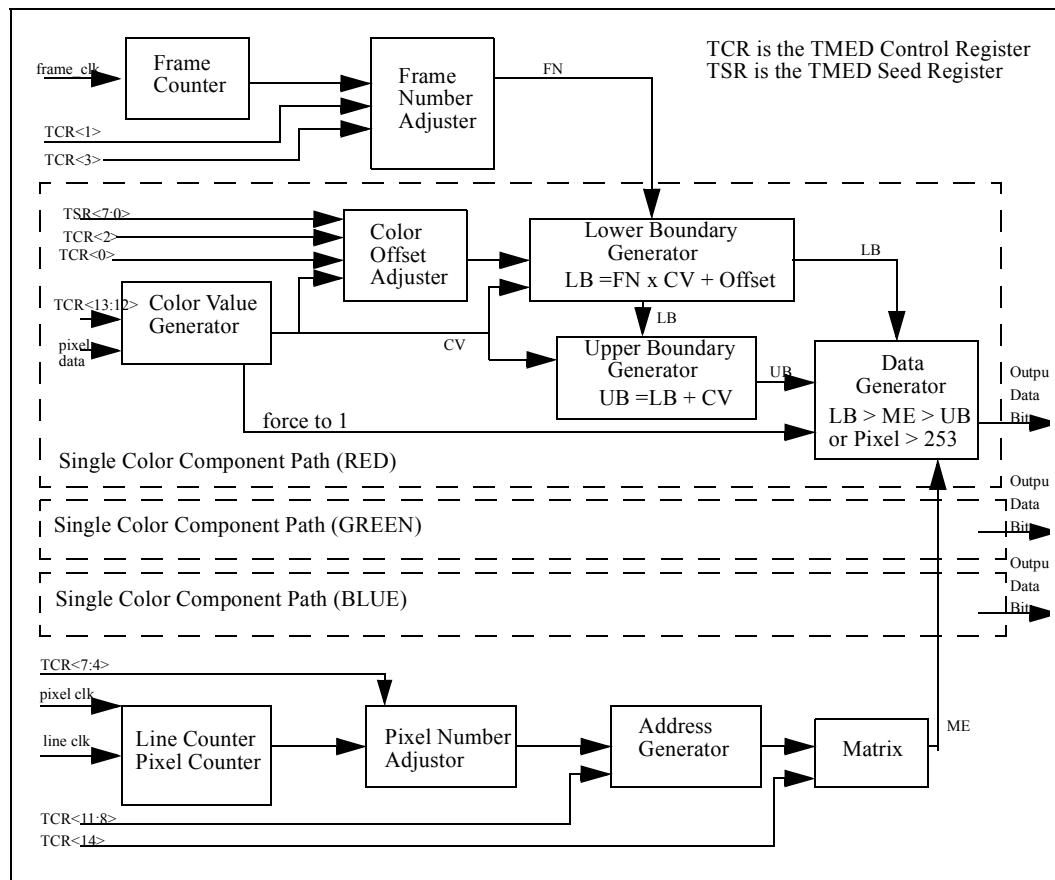


Either of two matrices may be used for each color, chosen by bits 0, 1, and 14 of the TMED Control Register (TCR, [Section 7.6.10](#)). Offsets may be selected for the shading of each color to avoid gray color problems. Although these offset values are panel dependent, the recommended values are listed in [Section 7.6.9](#), with the blue data path being used for monochrome modes. Offsets may also be chosen in the TMED Control Register for shifting the row (horizontal) value, line (vertical) value, and frame number.

[Figure 7-4](#) shows the block diagram for TMED. Pixel data (up to 8 bits) enters the module and is sent through the Color Value (CV) generator. Depending on the value of the TCR[TSCS] field, the CV generator rounds off between 0 and 3 of the least-significant bits, creating a new CV. If the original pixel value is 254 or 255, the final data output is set to one. Otherwise, the following occurs:

1. The new CV is sent through the Color Offset Adjuster, where it is used as a lookup into the matrix selected by TCR[COAM].
2. Either the 8-bit output of the chosen matrix or 00h, as selected by TCR[COAE], is added to the appropriate color's seed register value in register TRGBR to form an offset.
3. This offset is added to the result of the multiplication of the Frame Number and the CV to form the algorithm's lower boundary (only the lower 8 bits are used).
4. The CV is added to the lower boundary to obtain the upper boundary.
5. Row (line) and column (pixel) counters are combined with beat suppression (offset) values in the Pixel Number Adjuster and Address Generator to form yet another address for a matrix lookup.
6. The output of the chosen matrix is compared to the lower and upper boundaries in the Data Generator.
7. If the matrix output is between these boundaries or the original pixel value is 254 or 255, then the data output to the panel is one. In all other cases, it is zero.

Figure 7-4. TMED Block Diagram



7.3.4 Output FIFOs

The LCD controller has two output FIFOs to queue pixel data before it is sent out to the pins. Each output FIFO is 16 bytes, organized as 16 entries by 8 bits wide. Pixel values are accumulated in a serial shifter and written to the FIFO buffers in 4-, 8-, or 16-bit quantities. Four pins are used for single-panel monochrome screens, 8 pins are used for single- and dual-panel monochrome screens and single-panel color displays, and 16 pins are used for dual-panel color and active displays. Each time a value is taken from the bottom of the FIFO, the entry is invalidated, and all data in the FIFO moves down one position.

7.3.5 LCD Controller Pin Usage

The timing of the line (L_LCLK) and frame (L_FCLK) clocks is programmable to support both passive display and active display modes. Programming options include: wait state insertion at the beginning and end of each line and frame, pixel clock (L_PCLK), line clock, frame clock (L_FCLK), output enable signal polarity, and frame clock pulse width.

See [Section 7.5](#) for pin timing diagrams. When the LCD controller is disabled, all of its pins can be used for GPIO. See [Chapter 4, “System Integration Unit”](#) for further details. See also [Table 7-1](#).

7.3.5.1 Passive Display Timing

In passive display mode ($LCCR0[PAS] = 0$), L_PCLK toggles only when data is being written to the panel. When an entire line of pixels has been sent to the display, L_LCLK is asserted. When an entire frame of pixels has been sent to the display, L_FCLK is asserted.

If an output FIFO underrun occurs (i.e., the LCD controller runs out of data), L_PCLK stalls until valid data is available. This results in a slower pixel clock, but data sent to the display is always valid.

To prevent a D.C. charge from building within a passive display, its power and ground supplies must be switched periodically. Many modern panels do this automatically. If not, the LCD controller can toggle the AC bias pin (L_BIAS) to signal the display to switch the polarity. The frequency of the L_BIAS toggle is controlled by programming the number of line clock transitions between each toggle ($LCCR3[ACB]$).

7.3.5.2 Active Display Timing

In active display mode ($LCCR0[PAS] = 1$), L_PCLK toggles continuously as long as the LCD controller is enabled. The other pins function as follows:

- L_BIAS — output enable. When asserted, the LCD latches L_DD data using L_PCLK .
- L_LCLK — horizontal synchronization signal (HSYNC)
- L_FCLK — vertical synchronization signal (VSYNC)

If an output FIFO underrun occurs, the data on the L_DD pins is repeated, L_BIAS stays asserted, and L_PCLK keeps running. As valid data enters the output FIFO, it is sent to the display. Additional pixel clocks are inserted at the end of the line to drain the remaining valid pixels from the output FIFO before HSYNC is asserted. This mechanism allows an underrun to corrupt only a single line rather than an entire frame.

7.3.5.3 Pixel Data Pins (L_DDx)

Pixel data is removed from the bottom of the output FIFO and driven in parallel onto the LCD data lines on the edge of the pixel clock selected by Pixel Clock Polarity ($LCCR3[PCP]$). For a 4-bit wide bus, data goes out on the LCD data lines $L_DD[3:0]$. For an 8-bit wide bus, data goes out on $L_DD[7:0]$. For a 16-bit bus, data goes out on $L_DD[15:0]$. In monochrome dual-panel mode, the pixels for the upper half of the screen go out on $L_DD[3:0]$ and those for the lower half on $L_DD[7:4]$. In color dual-panel mode, the upper panel pixels go out on $L_DD[7:0]$ and the lower panel pixels on $L_DD[15:8]$. The LCD data pins are driven at their last value during the inactive portion of the LCD frame.

7.3.6 DMA

Values for palette RAM entries and encoded pixel data are stored in off-chip memory and are transferred to the LCD controller's input FIFO buffers, on a demand basis, using the LCD controller's dedicated DMA controller (DMAC). The LCD's descriptor-based DMAC contains two channels that transfer data from external memory to the input FIFOs. One channel is used for single-panel displays and two are used for dual-panel displays.

The LCD controller issues a service request to the DMAC after it has been initialized and enabled. The DMAC automatically performs eight word transfers, filling four entries of the input FIFO. Values are fetched from the bottom of the FIFO, one entry at a time, and each 64-bit value is

unpacked into individual pixel encodings of 1, 2, 4, 8, or 16 bits each. After the value is removed from the bottom of the FIFO, the entry is invalidated, and all data in the FIFO is shifted down one entry. When four of the entries are empty, a service request is issued to the DMAC. If the DMAC is not able to keep the FIFO filled with enough pixel data (due to insufficient external memory access speed) and the FIFO is emptied, the appropriate FIFO underrun status bit is set (bit IUL or IUU in register LCSR), and an interrupt request is issued (unless it is masked).

7.4 LCD External Palette and Frame Buffers

The LCD controller supports a variety of user-programmable options, including display type and size, frame buffer location, encoded pixel size, and output data width. Although all programmable combinations are possible, the displays available on the market dictate which combinations of these programmable options are practical. The processor external system memory limits the throughput of the LCD controller's DMAC, which, in turn, limits the size and type of display that can be controlled. The user must also determine the maximum bandwidth of the processor external bus that the LCD controller is allowed to use without negatively affecting all other functions that the processor must perform.

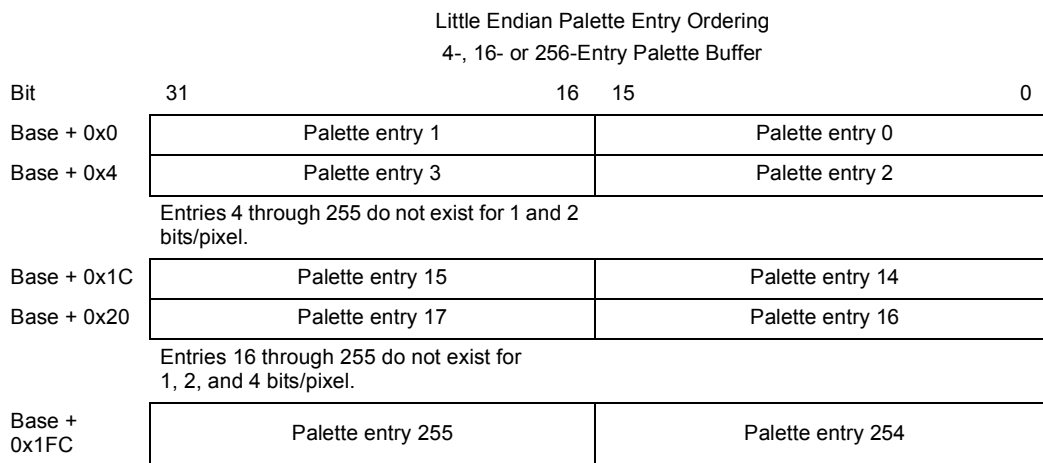
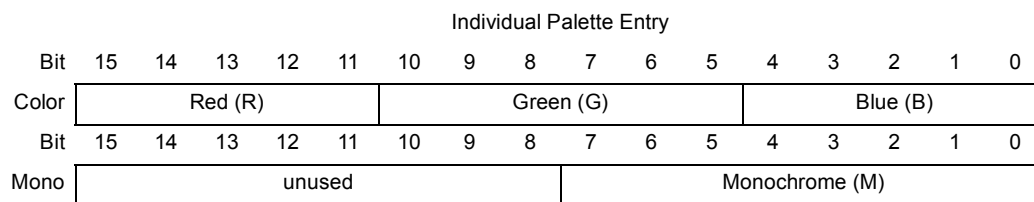
7.4.1 External Palette Buffer

The external palette buffer is an off-chip memory area containing up to 256 16-bit entries to be loaded into the internal palette RAM. The palette buffer data does not have to be at the beginning of the external frame buffer, it can also be in a separate memory location. Palette data is 8 bytes (4 entries) for 1 and 2-bit pixels (the last 2 entries are loaded but not used with 1-bit pixels), 32 bytes (16 entries) for 4-bit pixels, and 512 bytes (256 entries) for 8-bit pixels. The palette RAM is not used and must not be loaded when using 16 bits per pixel.

After enabling the LCD controller, the user must first load the palette RAM before processing any frame data. After the initial load, the palette can be reloaded optionally on a frame-by-frame basis. This would be done when the color selection changes frame to frame. The palette RAM is always loaded with DMA channel 0.

[Figure 7-5](#) shows the format of the palette entries in little endian. “Endian” does *not* imply endianness with respect to bytes and half-words within memory. It refers strictly to the ordering of the palette entries; i.e., whether palette entry 0 is at the MSB or the LSB of a word boundary. The ordering of RGB values within the 16-bit entry is fixed for little endian. In [Figure 7-5](#), “Base” is the palette buffer base programmed in register FSADR.

Figure 7-5. Palette Buffer Format



7.4.2 External Frame Buffer

The external frame buffer is an off-chip memory area used to supply enough encoded pixel values to fill the entire screen one or more times. The number of pixel data values depends on the size of the screen (for example, 640 x 480 = 307,200 encoded pixel values). Figure 7-6 through Figure 7-18 show the memory organization within the frame buffer for each size pixel encoding.

In the following figures, “Base” refers to the initial address programmed in the FSADR register, “Palette Buffer Index” refers to the data that specifies the location in the palette buffer, and “Raw Pixel Data” refers to the actual 16-bit RGB data when the palette RAM is bypassed.

Figure 7-6. 1 Bit Per Pixel Data Memory Organization

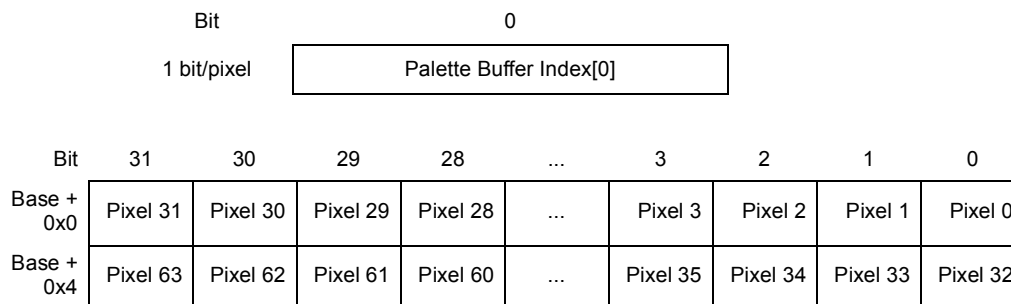
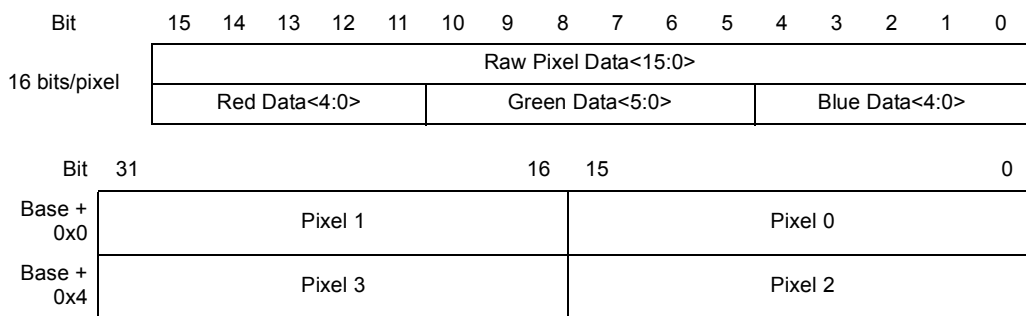
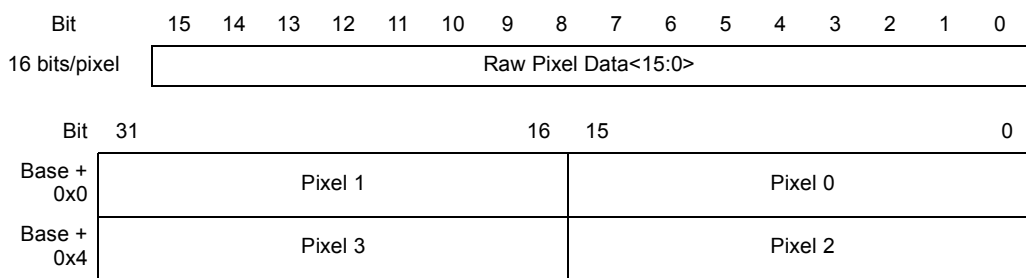


Figure 7-10. 16 Bits Per Pixel Data Memory Organization - Passive Mode



Note: For passive 16 bits per pixel operation, the Raw Pixel Data must be organized as shown above.

Figure 7-11. 16 Bits Per Pixel Data Memory Organization - Active Mode



Note: For active 16 bits per pixel operation, the Raw Pixel Data is sent directly to the LCD panel pins and must be in the same format as required by the LCD panel.

In dual-panel mode, pixels are presented to two halves of the screen at the same time (upper and lower). A second DMA channel, input FIFO, and output FIFO exist to support dual-panel operation. The palette buffer is implemented in DMA channel 0, but not channel 1. The frame source address for the lower half always points to the top of the encoded pixel values for channel 1. The frame source address of both DMA channels must be configured such that the least significant three address bits are all zero (address bits 2 through 0 must be zero). This requires that the source address of the frame buffer start at 8-byte boundaries.

Each line in the frame buffer must start at a word boundary. For the various pixel sizes, this requires each line of the display to have pixels in multiples of: 32 pixels for 1-bit pixels, 16 pixels for 2-bit pixels, 8 pixels for 4-bit pixels, 4 pixels for 8-bit pixels, and 2 pixels for 16-bit pixels. If the LCD screen does not naturally have the correct multiple of pixels per line, the user must adjust the start address for each line by adding dummy pixel values to the end of the previous line.

Note: There are two special conditions: 8 bits/pixel monochrome screens with double-pixel-data mode and 8 or 16 bits/pixel passive color screens require a multiple of 8 pixels for each line.

For example, if the screen being driven is 107 pixels wide, and 4 bits/pixel mode is used, each line is 107 pixels or nibbles in length (53.5 bytes). The next nearest 8-pixel boundary (for 4-bit pixels) occurs at 112 pixels or nibbles (56 bytes). Each new line in the frame buffer must start at multiples of 56 bytes by adding an extra 5 dummy pixels per line (2.5 bytes) to LCCRI[PPL].

If dummy pixels are to be inserted, the panel must ignore the extra pixel clocks at the end of each line that correspond to the dummy pixels.

Use the following equation to calculate the total size of the frame buffer (in bytes). This calculation is used to encode the length of the frame buffer in the DMA descriptors (Section 7.6.5.4). The first term is the size required for the encoded pixel values. “Lines” is the number of lines for the display. “Pixels” is the number of pixels per line. Use the actual line/pixel count, not minus 1 as in the LCCR registers. “n” = the number of extra dummy pixels required per line, as described above. For dual-panel mode, the frame buffer size is equally distributed between the two DMA channels. Therefore, “Lines” in this equation are divided in half for dual-panel mode.

$$\text{FrameBufferSize} = \frac{\text{BitsPerPixel} \cdot \text{Lines} \cdot (\text{Pixels} + n)}{8}$$

The bandwidth required for the LCD Controller can be calculated using the following equations. FrameBufferSize is the result of the previous equation. Bandwidth is always an important part of any system analysis. Systems with large panels and high bits per pixel must ensure that the panel is not starved for data.

$$\text{BusBandwidth} = (\text{FrameBufferSize} + \text{PaletteSize}) \cdot \text{RefreshRate}$$

$$\text{BusBandwidth(DualPanel)} = (\text{FrameBufferSize} \cdot 2 + \text{PaletteSize}) \cdot \text{RefreshRate}$$

Sample calculations for an 640x480 panel, 16 bits per pixel, 60 Hz refresh rate:

$$\text{FrameBufferSize} = 16 \cdot 640 \cdot 480 / 8 = 614,400 \text{ bytes}$$

$$\text{Bus Bandwidth} = 614,400 \cdot 60 = 36.9 \text{ MB/sec}$$

7.5 Functional Timing

Figure 7-12 through Figure 7-14 illustrate LCD controller timing in passive display mode. The example used is a 320x240 panel. Figure 7-15 and Figure 7-16 illustrate the LCD controller timing in active display mode. For precise timing relationships, see the *Intel® PXA255 Processor Electrical, Mechanical, and Thermal Specification*.

Figure 7-12. Passive Mode Start-of-Frame Timing

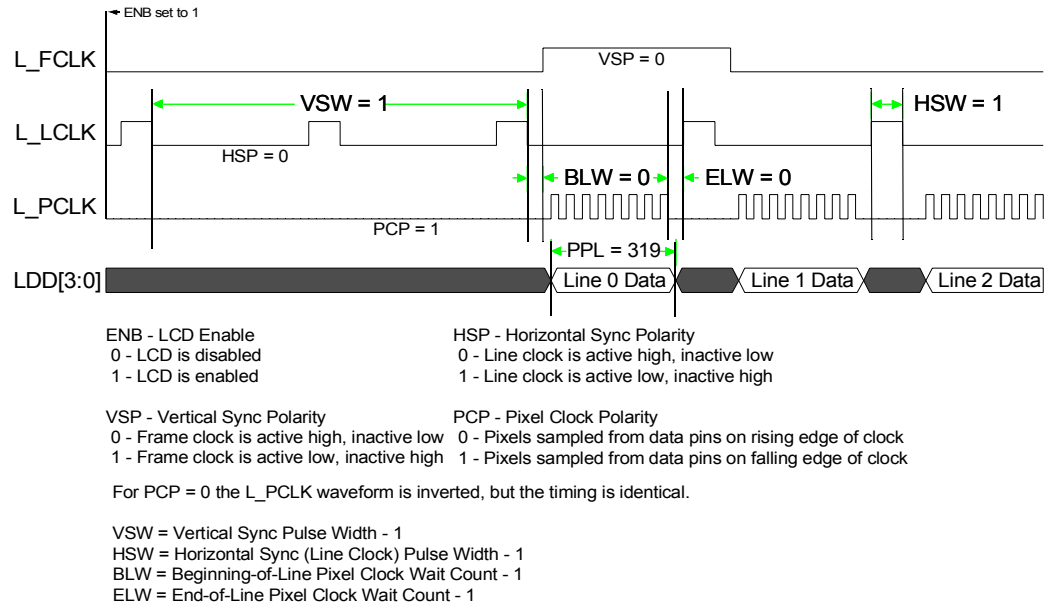


Figure 7-13. Passive Mode End-of-Frame Timing

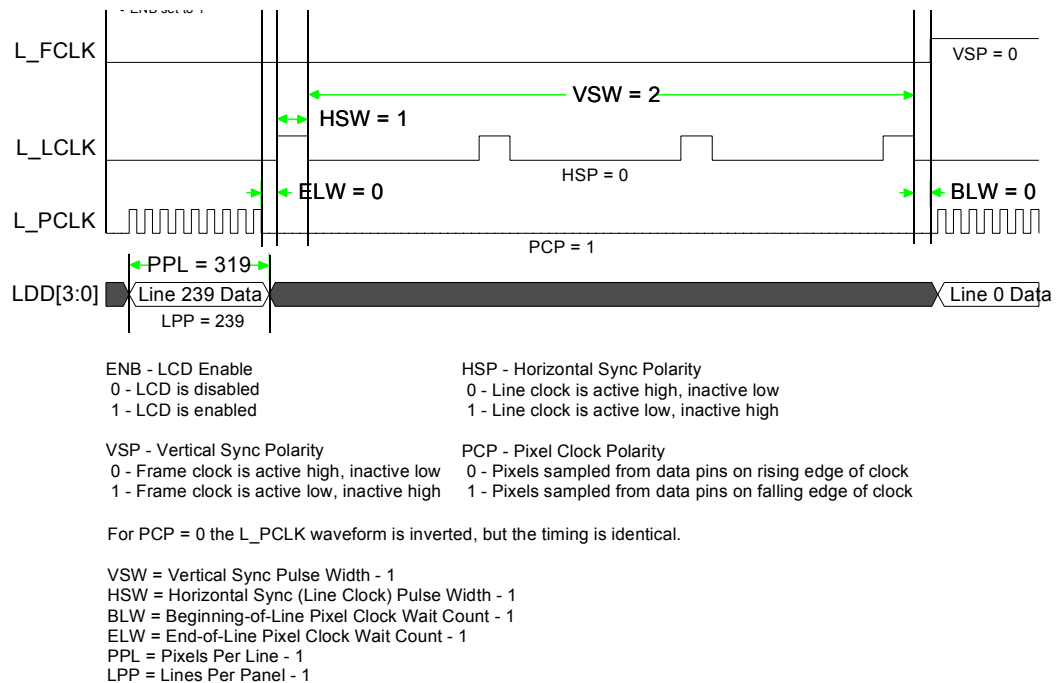


Figure 7-14. Passive Mode Pixel Clock and Data Pin Timing

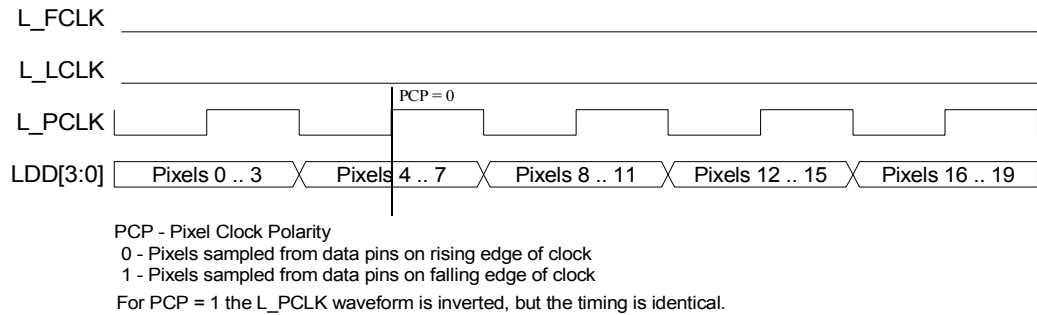


Figure 7-15. Active Mode Timing

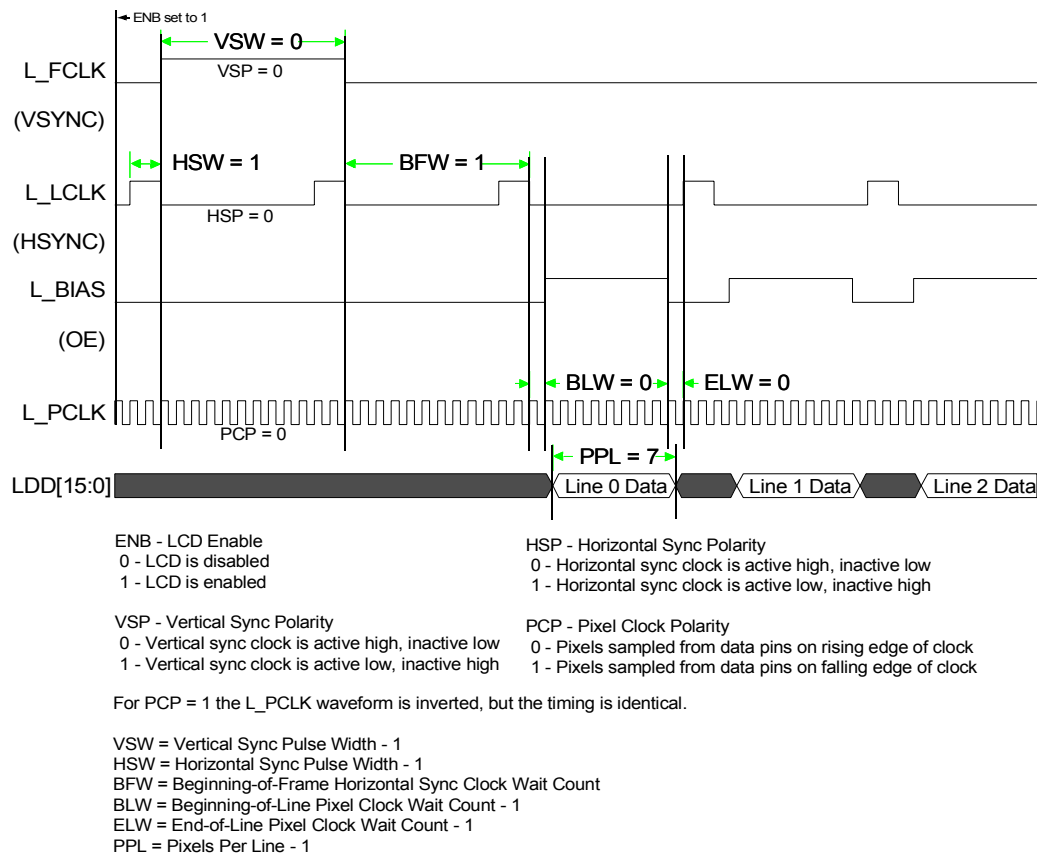
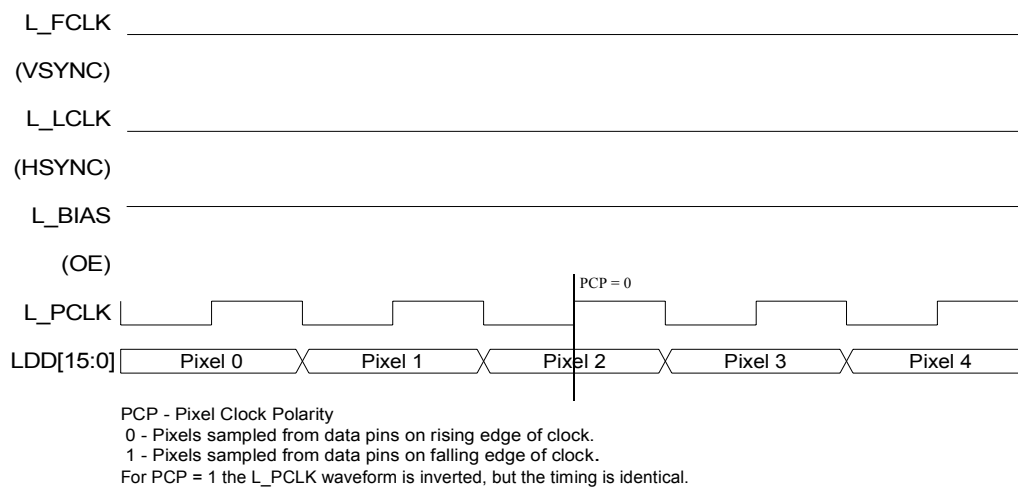


Figure 7-16. Active Mode Pixel Clock and Data Pin Timing



7.6 Register Descriptions

The LCD controller contains four control registers, ten DMA registers, one status register, and a 256-entry palette RAM. Table 7-16 lists their locations in physical memory. All of the LCD registers must be accessed as 32-bit values. Reads and writes to undefined addresses in the LCD register space yield unpredictable results and must not be attempted.

The control registers contain bit fields to do the following:

- Enable and disable the LCD controller.
- Define the height and width of the screen being controlled.
- Indicate single- or dual-panel display mode.
- Indicate color versus monochrome mode.
- Indicate passive versus active display.
- Set the polarity of the control pins.
- Set the pulse width of the line and frame clocks, pixel clock, and ac bias pin frequency.
- Set the AC bias pin toggles per interrupt.
- Set the number of wait states to insert before and after each line and after each frame.
- Enable various interrupt masks.

An additional control field exists to tune the DMAC's performance based on the type of memory system with which the processor is used. This field controls the placement of a minimum delay between each LCD DMA request during palette loads to insure enough bus bandwidth is given to other bus masters for accesses.

The DMA descriptor addresses are initially programmed by software. After that, the other DMA registers are programmed by the hardware. [Section 7.6.5](#) provides a complete description of how the DMA is programmed.

The status registers contain bits that signal:

- Input and output FIFO overrun and underrun errors
- DMA bus errors
- When the DMAC starts and ends a frame
- When the last active frame has completed after the LCD is disabled
- Each time the L_BIAS pin has toggled a programmed number of times

Each of these hardware-detected events can signal an interrupt request to the interrupt controller.

7.6.1 LCD Controller Control Register 0 (LCCR0)

The control bits in LCCR0, shown in [Table 7-3](#), within all other control registers must be programmed before setting ENB=1 (a word write can be used to configure LCCR0 while setting ENB after all other control registers have been programmed). The LCD controller must be disabled when changing the state of any control bit within the LCD controller.

LCD Output Fifo Underrun Mask (OUM) — used to mask interrupt requests that are asserted whenever an output FIFO underrun error occurs. When OUM=0, underrun interrupts are enabled, and whenever an output FIFO underrun (OU) status bit within the LCD status register (LCSR) is set (one), an interrupt request is made to the interrupt controller. When OUM=1, underrun interrupts are masked and the state of the underrun status bit (OU) is ignored by the interrupt controller. Setting OUM does not affect the current state of the status bit or the LCD controller's ability to set and clear it, it only blocks the generation of the interrupt request. Output FIFO underruns are more critical than Input FIFO underruns, since Output FIFO underruns will affect the display.

Branch Mask (BM) — used to mask interrupt requests that are asserted after the LCD Controller has branched to a new set of frame descriptors. See [Section 7.6.6](#) for details.

Palette DMA Request Delay (PDD) — used to select the minimum number of internal bus clock cycles to wait between the servicing of each DMA request issued while the on-chip palette is loaded. When the palette is optionally loaded at the beginning of a frame, up to 512 bytes of data may be accessed by the LCD's DMAC. Using PDD allows other bus masters to gain access to shared memory in between palette DMA loads. PDD must be used carefully, as it can severely degrade LCD controller performance if not used properly. It is recommended to leave PDD zero and add delay only when necessary. PDD does not apply to the normal input FIFO DMA requests for frame buffer information, since these DMA requests do not occur back-to-back. The input FIFO DMA request rate is a function of the rate at which pixels are displayed on the screen.

After a word of palette data is written to the input FIFO, the value contained within PDD is loaded to a down counter that disables the palette from issuing another DMA request until the counter decrements to zero. This counter ensures that the LCD's DMAC does not tie up the full bandwidth of the processor system bus. Once the counter reaches zero, any pending or future DMA requests by the palette cause the DMAC to arbitrate for the bus. Once the DMA burst cycle has completed, the process starts over, and the value in PDD is loaded to the counter to create another wait state period, which disables the palette from issuing a DMA request. PDD can be programmed with a

value that causes the FIFO to wait from 0 to 255 clock cycles after the completion of one DMA request to the start of the next request. When PDD=0x00, the FIFO DMA request delay function is disabled.

LCD Quick Disable Interrupt Mask (QDM) — used to mask interrupt requests that are asserted after the LCD Enable bit (ENB) is cleared and the DMAC finishes the current burst transfer. The LCD controller immediately stops requesting new data and the current frame is not completed. This shutdown is for Sleep shutdown. When QDM=0, the quick disable interrupt is enabled, and whenever the LCD quick disable (QD) status bit in the LCD Status Register (LCSR) is set, an interrupt request is made to the interrupt controller. When QDM=1, the quick disable interrupt is masked and the state of the QD status bit is ignored by the interrupt controller. Setting QDM does not affect the current state of QD or the LCD controller's ability to set and clear QD, it only blocks the generation of the interrupt request.

LCD Disable (DIS) — During LCD Controller operation, setting DIS=1 causes the LCD Controller to finish fetching the current frame from memory and then shut down cleanly. If the LCD DMAC is loading the palette RAM when DIS is set, the load will complete followed by the next frame, and then the LCD controller is disabled. Completion of the current frame is signalled by the LCD when it sets the LCD disable done flag (LDD) in register LCSR. Use a read-modify-write procedure to set this bit, since the other bit fields within LCCR0 continue to be used until the current frame is completed. The LCD Enable bit (ENB) is cleared when the disable is completed. [Section 7.2.2](#) for more information.

Double-Pixel Data (DPD) Pin Mode — selects whether four or eight data pins are used for pixel data output to the LCD screen in single-panel monochrome mode. When DPD=0, L_DD[3:0] pins are used to send 4 pixel values each pixel clock transition. When DPD=1, L_DD[7:0] pins are used to send 8 pixel values each pixel clock. See [Table 7-3](#) for a comparison of how the LCD's data pins are used in each of its display modes.

Note: DPD does not affect dual-panel monochrome mode, any of the color modes, or active mode. Clear DPD in these modes.

Passive/Active Display Select (PAS) — selects whether the LCD controller operates in passive (STN) or active (TFT) display control mode. When PAS=0, passive mode is selected. All LCD data flow operates normally (including the LCD's dither logic), and all LCD controller pin timing operates as described in [Table 7.5](#).

When PAS=1, active mode is selected. 1- and 2-bit pixel modes are not supported in active mode. For 4- and 8-bit pixel modes, pixel data is transferred via DMA from off-chip memory to the input FIFO, unpacked, and used to select an entry from the palette, just as in passive mode. However, the value read from the palette bypasses the LCD controller's dither logic and is sent directly to the output FIFO to be driven onto the LCD's data pins. This 16-bit output to the pins represents 5 bits of red, 6 bits of green, and 5 bits of blue data. For 16-bit pixel encoding mode, two 16-bit values are packed into each word in the frame buffer. Each 16-bit value is transferred via DMA from off-chip memory to the input FIFO. Unlike 4 and 8 bit per pixel modes, the 16-bit value bypasses both the palette and the dither logic and is placed directly in the output FIFO to be sent to the LCD's data pins. Using the 16-bit pixel encoding mode allows a total of 64K colors to be generated.

The 16-bit output from either the palette or frame buffer to the pins can be organized in any fashion necessary to correctly interface with the LCD panel. Typically, the output is configured into one of three user-specified RGB color formats: 6 bits of red, 5 bits of green, and 5 bits of blue data; 5 bits of red, 6 bits of green, and 5 bits of blue data; and 5 bits of red, 5 bits of green, and 6 bits of blue data. The RGB format 5:6:5 is normally used, since the human eye can distinguish more shades of green than of red or blue.

The LCD pin timing changes when active mode is selected. Timing of each pin is described in subsequent bit-field sections for both passive and active mode.

The LCD controller can be configured in active color display mode and used with an external DAC and optionally an external palette to drive a video monitor. Only monitors that implement the RGB data format can be used. The LCD controller does not support the NTSC standard. However, the 2X pixel clock mode allows the LCD controller to easily interface with an NTSC encoder, such as the Analog Devices 7171 encoder.

Figure 7-17 shows which bits are sent to the individual LCD data pins for both a frame buffer entry (for 16-bit/pixel mode) and a selected palette entry (for 1, 2, 4 and 8 bit/pixel mode). The pixel bits corresponding to L_DD pins when using an RGB format of 5:6:5 are also shown. In active mode, L_DD pins [15:8] are also used. The user must configure the proper GPIO pins for LCD operation to enable LCD Controller operation. See Chapter 4, “System Integration Unit” for GPIO configuration information.

The processor LCD controller may be used with active panels having more than 16 data pins, but the panel will be limited to a total of 64K colors. There are three options:

1. To maintain the panel’s full range of colors and increase the granularity of the spectrum, connect the LCD controller’s 16 data pins to the panel’s most significant R, G, and B pixel data input pins and tie the panel’s least significant R, G, and B data pins either high or low.
2. To maintain the granularity of the spectrum and limit the overall range of colors possible, connect the LCD controller’s 16 data pins to the panel’s least significant R, G, and B pixel data input pins and tie the panel’s most significant data pins either high or low.
3. Sometimes, better results can be obtained by replicating the upper bits on the lower bits.

Figure 7-17. Frame Buffer/Palette Output to LCD Data Pins in Active Mode

		4/8/16 Bits/Pixel Mode, Frame Buffer or Palette Entry															
Pxel		R4	R3	R2	R1	R0	G5	G4	G3	G2	G1	G0	B4	B3	B2	B1	B0
Bit		15	14	13	12	11	10	9	8	7	6	5	4	3	2	1	0
L_DD Pin		15	14	13	12	11	10	9	8	7	6	5	4	3	2	1	0

End of Frame Mask (EFM) — used to mask interrupt requests that are asserted at the end of each frame (when the DMA length of transfer counter decrements to zero). When EFM=0, the interrupt is enabled, and whenever the EOF status bit in the LCD status register (LCSR) is set to one, an interrupt request is made to the interrupt controller. When EFM=1, the interrupt is masked, and the state of the EOF status bit is ignored by the interrupt controller. Setting EFM does not affect the current state of EOF or the LCD controller’s ability to set and clear EOF, it only blocks the generation of the interrupt request.

Input Fifo Underrun Mask (IUM) — used to mask interrupt requests that are asserted whenever an input FIFO underrun error occurs. When IUM=0, underrun interrupts are enabled, and whenever an input FIFO underrun (IUL, IUU) status bit in the LCD status register (LCSR) is set to one, an interrupt request is made to the interrupt controller. When IUM=1, underrun interrupts are masked and the state of the underrun status bits (IUL, IUU) is ignored by the interrupt controller. Setting IUM does not affect the current state of these status bits or the LCD controller’s ability to set and clear them, it only blocks the generation of the interrupt requests.

Start Of Frame Mask (SFM) — used to mask interrupt requests that are asserted at the beginning of each frame when the LCD’s frame descriptor has been loaded into the internal DMA registers. When SFM=0, the interrupt is enabled, and whenever the start of frame (SOF) status bit in the LCD

status register (LCSR) is set, an interrupt request is made to the interrupt controller. When SFM=1, the interrupt is masked and the state of the SOF status bit is ignored by the interrupt controller. Setting SFM does not affect the current state of SOF or the LCD controller's ability to set and clear SOF, it only blocks the generation of the interrupt request.

LCD Disable Done Interrupt Mask (LDM) — used to mask interrupt requests that are asserted after the LCD is disabled and the frame currently being sent to the output pins has completed. When LDM=0, the interrupt is not masked, and whenever the LCD disable done (LDD) status bit in the LCD status register (LCSR) is set to one, an interrupt request is made to the interrupt controller. When LDM=1, the interrupt is masked, and the state of the LDD status bit is ignored by the interrupt controller. Setting LDM does not affect the current state of LDD or the LCD controller's ability to set and clear LDD, it only blocks the generation of the interrupt request. This interrupt is used when the LCD must be disabled after the current frame being sent to the output pins has completed. Clearing LCD Enable (ENB) is a quick disable, and LDD is not set.

Note: This mask bit applies only to regular shutdowns using the LCD Disable (DIS) bit.

Single-/Dual-Panel Select (SDS) — In passive mode (PAS=0), SDS is used to select the type of display control implemented by the LCD screen. When SDS=0, single-panel operation is selected (pixels presented to screen a line at a time). When SDS=1, dual-panel operation is selected (pixels presented to screen two lines at a time). Single-panel LCD drivers have one line/row shifter and driver for pixels and one line pointer. Dual-panel LCD controller drivers have two line/row shifters (one for the top half of the screen, one for the bottom) and two line pointers (one for the top half of the screen, one for the bottom).

When dual-panel mode is programmed, both of the LCD controller's DMA channels are used. DMA channel 0 is used to load the palette RAM from the frame buffer and to drive the upper half of the display, and DMA channel 1 drives the lower half. The two channels alternate when fetching data for both halves of the screen, placing encoded pixel values in the two separate input FIFOs.

When dual-panel operation is enabled, the LCD controller doubles its pin usage. For monochrome screens, eight pins are used and for color screens, 16 pins are used.

Note: SDS must be set to 0 in active mode (PAS=1).

Table 7-3 shows the LCD data pins and GPIO pins used for each mode of operation and the ordering of pixels delivered to a screen for each mode of operation.

Note: In passive color mode, the data pin ordering switches. Figure 7-18 shows the LCD data pin pixel ordering.

Table 7-2. LCD Controller Data Pin Utilization (Sheet 1 of 2)

Color/Monochrome Panel	Single/ Dual Panel	Passive/ Active Panel	Screen Portion	Pins
Monochrome	Single	Passive	Whole	L_DD[3:0]
Monochrome	Single	Passive	Whole	L_DD[7:0] [†]
Monochrome	Dual	Passive	Top	L_DD[3:0]
			Bottom	L_DD[7:4]
Color	Single	Passive	Whole	L_DD[7:0]

Table 7-2. LCD Controller Data Pin Utilization (Sheet 2 of 2)

Color/Monochrome Panel	Single/Dual Panel	Passive/Active Panel	Screen Portion	Pins
Color	Dual	Passive	Top	L_DD[7:0]
			Bottom	L_DD[15:8]
Color	Single	Active	Whole	L_DD[15:0]

† Double-pixel data mode (DPD) = 1.

Figure 7-18. LCD Data-Pin Pixel Ordering

Top Left Corner of Screen

	Column 0	Column 1	Column 2	Column 3	Column 4	Column 5	Column 6	Column 7	Column 8
Row 0	LDD[0]	LDD[1]	LDD[2]	LDD[3]	LDD[0]	LDD[1]	LDD[2]	LDD[3]	LDD[0]
Row 1	LDD[0]	LDD[1]	LDD[2]	LDD[3]	LDD[0]	LDD[1]	LDD[2]	LDD[3]	LDD[0]
Row 2	LDD[0]	LDD[1]	LDD[2]	LDD[3]	LDD[0]	LDD[1]	LDD[2]	LDD[3]	LDD[0]
Row 3	LDD[0]	LDD[1]	LDD[2]	LDD[3]	LDD[0]	LDD[1]	LDD[2]	LDD[3]	LDD[0]

Passive Monochrome Single-Panel Display Pixel Ordering

Top Left Corner of Screen

	Column 0	Column 1	Column 2	Column 3	Column 4	Column 5	Column 6	Column 7	Column 8
Row 0	LDD[0]	LDD[1]	LDD[2]	LDD[3]	LDD[4]	LDD[5]	LDD[6]	LDD[7]	LDD[0]
Row 1	LDD[0]	LDD[1]	LDD[2]	LDD[3]	LDD[4]	LDD[5]	LDD[6]	LDD[7]	LDD[0]
Row 2	LDD[0]	LDD[1]	LDD[2]	LDD[3]	LDD[4]	LDD[5]	LDD[6]	LDD[7]	LDD[0]
Row 3	LDD[0]	LDD[1]	LDD[2]	LDD[3]	LDD[4]	LDD[5]	LDD[6]	LDD[7]	LDD[0]

Passive Monochrome Single-Panel Double-Pixel Display Pixel Ordering

Top Left Corner of Screen

	Column 0	Column 1	Column 2	Column 3	Column 4	Column 5	Column 6	Column 7	Column 8
Row 0	LDD<0>	LDD<1>	LDD<2>	LDD<3>	LDD<0>	LDD<1>	LDD<2>	LDD<3>	LDD<0>
Row 1	LDD<0>	LDD<1>	LDD<2>	LDD<3>	LDD<0>	LDD<1>	LDD<2>	LDD<3>	LDD<0>
Row n/2	LDD<4>	LDD<5>	LDD<6>	LDD<7>	LDD<4>	LDD<5>	LDD<6>	LDD<7>	LDD<4>
Row n/2+1	LDD<4>	LDD<5>	LDD<6>	LDD<7>	LDD<4>	LDD<5>	LDD<6>	LDD<7>	LDD<4>

n = # of rows

Passive Monochrome Dual-Panel Display Pixel Ordering

Top Left Corner of Screen

	Column 0 Red	Column 0 Green	Column 0 Blue	Column 1 Red	Column 1 Green	Column 1 Blue	Column 2 Red	Column 2 Green	Column 2 Blue
Row 0	LDD<7>	LDD<6>	LDD<5>	LDD<4>	LDD<3>	LDD<2>	LDD<1>	LDD<0>	LDD<7>
Row 1	LDD<7>	LDD<6>	LDD<5>	LDD<4>	LDD<3>	LDD<2>	LDD<1>	LDD<0>	LDD<7>
Row 2	LDD<7>	LDD<6>	LDD<5>	LDD<4>	LDD<3>	LDD<2>	LDD<1>	LDD<0>	LDD<7>
Row 3	LDD<7>	LDD<6>	LDD<5>	LDD<4>	LDD<3>	LDD<2>	LDD<1>	LDD<0>	LDD<7>

Passive Color Single-Panel Display Pixel Ordering

Top Left Corner of Screen

	Column 0 Red	Column 0 Green	Column 2 Green	Column 2 Blue	Column 4 Blue	Column 5 Red	Column 5 Green
Row 0	LDD[7]	LDD[6]	LDD[0]	LDD[7]	LDD[1]	LDD[0]	LDD[7]
Row 1	LDD[7]	LDD[6]	LDD[0]	LDD[7]	LDD[1]	LDD[0]	LDD[7]
Row n/2	LDD[15]	LDD[14]	LDD[8]	LDD[15]	LDD[9]	LDD[8]	LDD[15]
Row n/2+1	LDD[15]	LDD[14]	LDD[8]	LDD[15]	LDD[9]	LDD[8]	LDD[15]

n = # of rows

Passive Color Dual-Panel Display Pixel Ordering

Color/Monochrome Select (CMS) — selects whether the LCD controller operates in color or monochrome mode. When CMS=0, color mode is selected. Palette entries are 16 bits wide (5-bits red, 6-bits green, 5-bits blue), 8 data pins are enabled for single-panel mode, 16 data pins are enabled for dual-panel mode, and all three dither blocks are used, one each for the red, green, and blue pixel components. When CMS=1, monochrome mode is selected, palette entries are 8 bits wide, 4 or 8 data pins are enabled for single-panel mode, 8 data pins are enabled for dual-panel mode, and the blue dither block is used.

LCD Enable (ENB) — used to enable and quickly disable all LCD controller operation. When ENB=0, the LCD controller is either disabled or in the process of quickly disabling, and all of the LCD pins can be used for GPIO. When ENB=1, the LCD controller is enabled.

All other control registers must be initialized before setting ENB. LCCR0 can be programmed last, and all bit fields can be configured at the same time with a word write to the register. If ENB is cleared while the LCD controller is enabled, the LCD controller will immediately stop requesting data from the LCD DMAC, and the current frame will not complete. The LCD controller must not be re-enabled until the QD status flag is set in register LCSR, indicating the quick disable is complete. Quick disable is for sleep shutdown. Regular shutdown of the LCD controller at the end of the frame can be done via the LCD Disable bit, LCCR0[DIS]. There are separate maskable interrupts for quick disable and regular disable. See [Section 7.2.1](#) for more information.

This is a read/write register. Ignore reads from reserved bits. Write zeros to reserved bits.

Table 7-3. LCCR0 Bit Definitions (Sheet 1 of 2)

Physical Address 0x4400_0000		LCCR0																LCD Controller																
Bit	31	30	29	28	27	26	25	24	23	22	21	20	19	18	17	16	15	14	13	12	11	10	9	8	7	6	5	4	3	2	1	0		
	reserved										OUM	BM	PDD						QDM	DIS	DPD	reserved	PAS	EFM	IUM	SFM	LDM	SDS	CMS	ENB				
Reset	X	X	X	X	X	X	X	X	X	X	X	X	0	0	0	0	0	0	0	0	0	0	0	0	0	0	0	0	0	0	0	0	0	0
Bits	Name		Description																															
31:22	—		reserved																															
21	OUM		Output FIFO Underrun mask: 0 = FIFO underrun errors generate an interrupt. 1 = FIFO underrun errors do not generate an interrupt.																															
20	BM		Branch Mask: 0 = Generates an interrupt after branching to a new frame. 1 = Branch Start (BS) condition does not generate an interrupt.																															
19:12	PDD		Palette DMA Request Delay: Value (0–255) specifies the number of internal bus clocks to wait before requesting another burst of palette data. The counter starts decrementing when the first word is written to the input FIFO buffer. PDD = 0x00 disables this function.																															
11	QDM		LCD Quick Disable Mask: 0 = Generate an interrupt after quick disable. 1 = Quick Disable (QD) status does not generate an interrupt.																															
10	DIS		LCD Disable: 0 = LCD Controller has not been disabled. 1 = LCD Controller has been disabled, or is in the process of disabling.																															

Table 7-3. LCCR0 Bit Definitions (Sheet 2 of 2)

Physical Address 0x4400_0000		LCCR0										LCD Controller																								
Bit	31	30	29	28	27	26	25	24	23	22	21	20	19	18	17	16	15	14	13	12	11	10	9	8	7	6	5	4	3	2	1	0				
	reserved										OUM	BM	PDD										QDM	DIS	DPD	reserved	PAS	EFM	IUM	SFM	LDM	SDS	CMS	ENB		
Reset	X	X	X	X	X	X	X	X	X	X	X	X	0	0	0	0	0	0	0	0	0	0	0	0	0	0	0	0	0	0	0	0	0			
Bits	Name		Description																																	
9	DPD		Double-Pixel Data (DPD) pin mode: In passive monochrome single panel mode, 0 = L_DD[3:0] pins are used to send 4 pixel values each pixel clock transition. 1 = L_DD[7:0] pins are used to send 8 pixel values each pixel clock. In any other mode, DPD must be 0.																																	
8	—		reserved																																	
7	PAS		Passive/Active Display select: 0 = Passive (or STN) display operation enabled. 1 = Active (or TFT) display operation enabled.																																	
6	EFM		End of Frame Mask: 0 = Generates an interrupt at the end of a frame. 1 = End of frame (EOF) condition does not generate an interrupt.																																	
5	IUM		Input FIFO Underrun Mask: 0 = FIFO underrun errors generate an interrupt. 1 = FIFO underrun errors do not generate an interrupt.																																	
4	SFM		Start of Frame Mask: 0 = Starting a new frame (after loading frame descriptor) generates an interrupt. 1 = Start of frame (SOF) condition does not generate an interrupt.																																	
3	LDM		LCD Disable Done Mask: 0 = LCD disable done condition generates an interrupt (state of LDD status sent to the interrupt controller). 1 = LCD disable done condition does not generate an interrupt (LDD status bit ignored).																																	
2	SDS		Single-/Dual-panel Display Select: 0 = Single-panel display enabled. 1 = Dual-panel display enabled. SDS must be 0 in active mode (PAS=1).																																	
1	CMS		Color/Monochrome Select: 0 = Color operation enabled. 1 = Monochrome operation enabled.																																	
0	ENB		LCD Controller Enable: 0 = LCD controller disabled or in the process of quickly disabling. 1 = LCD controller enabled.																																	

7.6.2 LCD Controller Control Register 1 (LCCR1)

LCCR1, shown in Table 7-4, contains four bit fields that are used as modulus values for a collection of down counters, each of which performs a different function to control the timing of several of the LCD pins. These values must be programmed before enabling the LCD Controller.

Beginning-of-Line Pixel Clock Wait Count (BLW) — used to specify the number of dummy pixel clocks to insert at the beginning of each line or row of pixels. After the line clock for the previous line has been negated, the value in BLW is used to count the number of pixel clocks to wait before starting to output the first set of pixels in the next line. BLW generates a wait period ranging from 1 to 256 pixel clock cycles. BLW must be programmed with the desired number of pixel clocks minus one. L_PCLK does not toggle during these “dummy” pixel clock cycles in passive display mode. It does toggle continuously in active display mode.

End-of-Line Pixel Clock Wait Count (ELW) — used to specify the number of “dummy” pixel clocks to insert at the end of each line or row of pixels before pulsing the line clock pin. Once a complete line of pixels is transmitted to the LCD driver, the value in ELW is used to count the number of pixel clocks to wait before pulsing the line clock. ELW generates a wait period ranging from 1 to 256 pixel clock cycles. ELW must be programmed with the desired number of pixel clocks minus one. L_PCLK does not toggle during these dummy pixel clock cycles in passive display mode. It does toggle continuously in active display mode.

Horizontal Sync Pulse Width (HSW) — specifies the pulse width (minus 1) of the line clock in passive mode or the horizontal synchronization pulse in active mode. L_LCLK is asserted each time a line is sent to the display and a programmable number of pixel clock wait states have elapsed. When L_LCLK is asserted, the value in HSW is transferred to a 6-bit down counter, which decrements at the programmed pixel clock frequency. When the counter reaches zero, L_LCLK is negated. HSW can be programmed to generate a line clock pulse width ranging from 1 to 64 pixel clock periods.

The pixel clock does not toggle during the line clock pulse in passive display mode but does toggle in active display mode. The polarity (active and inactive state) of the line clock pin is programmed using the horizontal sync polarity (HSP) bit in LCCR3.

HSW must be programmed with the desired number of pixel clocks minus one.

Note: The term “pulse width” refers to the time which L_LCLK is asserted, rather than the time for a cycle of the line clock to occur.

Pixels Per Line (PPL) — used to specify the number of pixels in each line or row on the screen (minus one). PPL is a 10-bit value that represents between 1 and 1024 pixels per line. It is recommended not to exceed 640 pixels. It is used to count the number of pixel clocks that must occur before the line clock can be asserted. As discussed in [Section 7.4.2](#), pixels per line must be multiples of: 32 pixels for 1-bit pixels, 16 pixels for 2-bit pixels, 8 pixels for 4-bit pixels, 4 pixels for 8-bit pixels, and 2 pixels for 16-bit pixels. The two special conditions are: 8-bits/pixel monochrome screens with double-pixel-data mode and 8 or 16 bits/pixel passive color screens require a multiple of 8 pixels for each line.

If the display used is not naturally a multiple of the above, “dummy” pixels must be added to each line to keep the frame buffer aligned in memory. For example, if the display being controlled is 250 pixels wide and the pixel-size is 8-bits, the nearest greater multiple of 8 is 256. Pixels per line must be set to 255. 6 extra “dummy” pixel values must be added to the end of each line in the frame buffer. The display being controlled must ignore the dummy pixel clocks at the end of each line.

This is a read/write register. Ignore reads from reserved bits. Write zeros to reserved bits.

Table 7-4. LCCR1 Bit Definitions

	Physical Address 0x4400_0004								LCD Controller Control Register 1								LCD Controller																
Bit	31	30	29	28	27	26	25	24	23	22	21	20	19	18	17	16	15	14	13	12	11	10	9	8	7	6	5	4	3	2	1	0	
	BLW								ELW								HSW								PPL								
Reset	0	0	0	0	0	0	0	0	0	0	0	0	0	0	0	0	0	0	0	0	0	0	0	0	0	0	0	0	0	0	0	0	0
	Bits	Name	Description																														
	31:24	BLW	Beginning-of-Line pixel clock Wait count: Value (0–255) specifies the number of pixel clock periods to add to the beginning of a line transmission before the first set of pixels is sent to the display. BOL wait = (BLW + 1).																														
	23:16	ELW	End-of-line pixel clock wait count: Value (0–255) specifies the number of pixel clock periods to add to the end of a line transmission before line clock is asserted. EOL = (ELW+1). In passive display mode, Pixel Clock is held in its inactive state during the end-of-line wait period. In active display mode, it toggles.																														
	15:10	HSW	Horizontal sync pulse width: Value (0–63) specifies the number of pixel clock periods to pulse the line clock at the end of each line. HSYNC pulse width = (HSW+1). In passive display mode, Pixel Clock is held in its inactive state during the generation of the line clock. In active display mode, it toggles.																														
	9:0	PPL	Pixels per line: Specifies the number of pixels contained within each line on the LCD display. Actual pixels per line = (PPL+1).																														

7.6.3 LCD Controller Control Register 2 (LCCR2)

LCCR2, shown in [Table 7-5](#), contains four bit fields that are used as values for a collection of down counters, each of which performs a different function to control the timing of several of the LCD's pins.

Beginning-of-Frame Line Clock Wait Count (BFW) — used in active mode (LCCR0[PAS] = 1) to specify the number of line clocks to insert at the beginning of each frame. The BFW count starts when the VSYNC signal for the previous frame is negated. The value in BFW is used to count the number of line clock periods to insert before starting pixel output in the next frame. BFW generates a wait period ranging from 0 to 255 extra L_LCLK cycles (BFW=0x00 disables the wait count). L_LCLK does toggle during the generation of the BFW line clock wait periods.

In passive mode, BFW must be set to zero so that no beginning-of-frame wait states are generated. Use VSW exclusively in passive mode to insert line clock wait states, which allow the LCD controller's DMAC to fill the palette and insert additional pixels before the start of the next frame.

End-of-Frame Line Clock Wait Count (EFW) — used in active mode (LCCR0[PAS] = 1) to specify the number of line clocks to insert at the end of each frame. Once a complete frame of pixels is transmitted to the LCD display, the value in EFW is used to count the number of line clock periods to wait. After the count has elapsed, the VSYNC (L_FCLK) signal is pulsed. EFW generates a wait period ranging from 0 to 255 line clock cycles (EFW = 0x00 disables the EOF wait count). L_LCLK does not toggle during the generation of the EFW line clock periods.

In passive mode, EFW must be set to zero so that no EOF wait states are generated. Use VSW exclusively in passive mode to insert line clock wait states, which allow the LCD controller's DMAC to fill the palette and insert additional pixels before the start of the next frame.

Vertical Sync Pulse Width (VSW) — used to specify the pulse width of the vertical synchronization pulse in active mode or to add extra “dummy” line clock wait states between the end and beginning of frame in passive mode.

In active mode (LCCR0[PAS]=1), L_FCLK is used to generate the vertical sync signal and is asserted each time the last line or row of pixels for a frame is sent to the display and a programmable number of line clock wait states as specified by LCCR1[BLW] have elapsed. When L_FCLK is asserted, the value in VSW is transferred to a 6-bit down counter, which uses the line clock frequency to decrement. When the counter reaches zero, L_FCLK is negated. VSW can be programmed to generate a vertical sync pulse width ranging from 1 to 64 line clock periods. VSW must be programmed with the desired number of line clocks minus one. The polarity (active and inactive state) of the L_FCLK pin is programmed using the vertical sync polarity (VSP) bit in LCCR3.

In passive mode (LCCR0[PAS]=0), VSW does not affect the timing of the L_FCLK pin, but rather can be used to add extra line clock wait states between the end of each frame and the beginning of the next frame. When the last line clock of a frame is negated, the value in VSW is transferred to a 6-bit down counter that uses the line clock frequency to decrement. When the counter reaches zero, the next frame begins. VSW can be programmed to generate from 1 to 64 dummy line clock periods between each frame in passive mode. VSW must be programmed to allow:

- enough wait states to occur between frames such that the LCD's DMAC is able to fully load the on-chip palette (if applicable)
- a sufficient number of encoded pixel values to be fetched from the frame buffer, to be processed by the dither logic and placed in the output FIFO, ready to be sent to the LCD data pins.

The number of wait states required is system dependent, depending on such factors as:

- palette buffer size (none; 8, 32 or 512 bytes)
- memory system speed (number of wait states, burst speed, number of beats)
- Palette DMA request delay, LCCR0[PDD].

The line clock pin does toggle during the insertion of the line clock wait state periods.

VSW does not affect generation of the frame clock signal in passive mode. Passive LCD displays require that the frame clock be active on the rising edge of the first line clock pulse of each frame, with adequate setup and hold time. To meet this requirement, the LCD controller's frame clock pin is asserted on the rising edge of the first pixel clock for each frame. The frame clock remains asserted for the remainder of the first line as pixels are sent to the display. It is then negated on the rising edge of the first pixel clock of the second line of each frame.

Lines Per Panel (LPP) — specifies the number of lines or rows present on the LCD panel being controlled. In single-panel mode, it represents the total number of lines for the entire LCD display. LPP is used to count the correct number of line clocks that must occur before the frame clock can be pulsed. In dual-panel mode, it represents half the number of lines of the entire LCD display, which is split into two panels. LPP is a 10-bit value that represents between 1 and 1024 lines per screen. It must be programmed with the actual height of the display minus one. It is recommended not to exceed 480 pixels. For portrait mode panels, more than 480 pixels can be used as long as total pixels do not exceed 480,000. For example, a 480x640 portrait mode panel can be used.

This is a read/write register. Ignore reads from reserved bits. Write zeros to reserved bits.

Table 7-5. LCCR2 Bit Definitions

Physical Address 0x4400_0008		LCD Controller Control Register 2										LCD Controller																									
Bit	31	30	29	28	27	26	25	24	23	22	21	20	19	18	17	16	15	14	13	12	11	10	9	8	7	6	5	4	3	2	1	0					
BFW								EFW						VSW						LPP																	
Reset	0	0	0	0	0	0	0	0	0	0	0	0	0	0	0	0	0	0	0	0	0	0	0	0	0	0	0	0	0	0	0	0	0				
	Bits	Name	Description																																		
	31:24	BFW	Beginning-of-frame line clock wait count: In active mode (LCCR0[PAS]=1), value (0–255) specifies the number of line clock periods to add to the beginning of a frame before the first set of pixels is sent to the display. The Line clock does toggle during the insertion of the extra line clock periods. BFW must be cleared to zero (disabled) in passive mode.																																		
	23:16	EFW	End-of-frame line clock wait count: In active mode (LCCR0[PAS] = 1), value (0–255) specifies the number of line clock periods to add to the end of each frame. The Line clock does toggle during the insertion of the extra line clock periods. EFW must be cleared to zero (disabled) in passive mode.																																		
	15:10	VSW	Vertical sync pulse width: In active mode (LCCR0[PAS] = 1), value (0–63) specifies the number of line clock periods to pulse the L_FCLK pin at the end of each frame after the end-of-frame wait (EFW) period elapses. Frame clock used as VSYNC signal in active mode. The line clock does toggle during VSYNC. VSYNC width = (VSW+1) In passive mode (LCCR0[PAS] = 0), value (0–63) specifies the number of extra line clock periods to insert after the end-of-frame. The time for which L_FCLK is asserted is not affected by VSW in passive mode. The line clock does toggle during the insertion of the extra line clock periods. VSYNC width = (VSW+1).																																		
	9:0	LPP	Lines per panel: Specifies the number of lines per panel. For single-panel mode, this represents the total number of lines on the LCD display. For dual-panel mode, it is half the number of lines on the whole LCD display. Lines per panel = (LPP+1).																																		

7.6.4 LCD Controller Control Register 3 (LCCR3)

LCCR3, shown in Table 7-6, contains bits and bit fields used to control various functions within the LCD controller.

Double Pixel Clock (DPC) — doubles the rate of the pixel clock on the L_PCLK pin. This allows direct connection to an NTSC encoder (e.g., the Analog Devices 7171). All of the LCD controller settings are still specified in terms of the “original” pixel clock and this mode affects *only* the L_PCLK output pin. If DPC is set to 1, the pixel clock divisor (PCD) must be greater than or equal to 1.

Bits Per Pixel (BPP) — BPP specifies the size of encoded pixel values in memory. Pixel sizes of 1, 2, 4, and 8 bits require that the internal palette RAM be loaded before pixels can be displayed on the screen. See Section 7.6.5 for details on programming the DMAC to load the palette RAM. BPP is programmed as follows:

- 0b000 = 1-bit pixels
- 0b001 = 2-bit pixels
- 0b010 = 4-bit pixels

0b011 = 8-bit pixels
0b100 = 16-bit pixels
0b101–0b111 = reserved

Output Enable Polarity (OEP) — In **active display** mode (LCCR0[PAS] = 1), the OEP bit selects the active and inactive states of the output enable signal (L_BIAS). In this mode, the AC bias pin serves as an enable that signals the off-chip device when data is actively being driven using the pixel clock, which continuously toggles in active mode. When OEP = 0, L_BIAS is active high and inactive low. When OEP = 1, L_BIAS is active low and inactive high. When L_BIAS is in its active state, data is driven onto the LCD data pins on the programmed edge of the pixel clock.

In **passive display** mode, OEP does not affect L_BIAS.

Pixel Clock Polarity (PCP) — selects the edge of the pixel clock (L_PCLK) on which data is sampled at the LCD pins. When PCP = 0, sampling occurs on the rising edge of L_PCLK. When PCP = 1, sampling occurs on the falling edge. PCP does not affect the timing of data being driven, it simply inverts L_PCLK.

Horizontal Sync Polarity (HSP) — selects the active and inactive states of the L_LCLK pin. When HSP = 0, L_LCLK is active high and inactive low. When HSP = 1, it is active low and inactive high. In **active display** mode, L_LCLK serves as the horizontal sync signal and in **passive display** mode, it is the line clock.

In **both** active and passive display modes, the L_FCLK pin is forced to its inactive state whenever pixels are transmitted. After the end of each line and a programmable number of pixel clocks occur (controlled by LCCR1[ELW]), the L_FCLK pin is forced to its active state for a programmable number of line clocks (controlled by LCCR1[HSW]), and is then again forced to its inactive state.

Vertical Sync Polarity (VSP) — selects the active and inactive states of the L_FCLK pin. When VSP = 0, L_FCLK is active high and inactive low. When VSP = 1, L_FCLK is active low and inactive high.

In **active display** mode (LCCR0[PAS] = 1), L_FCLK serves as the vertical sync signal. It is forced to its inactive state while pixels are transmitted during the frame. After the end of the frame and a programmable number of line clocks occur (controlled by LCCR2[EFW]), it is forced to its active state for a programmable number of line clocks (controlled by LCCR2[VSW]), and is then again forced to its inactive state.

In **passive display** mode, L_FCLK serves as the frame clock. It is forced to its active state on the rising edge of the first pixel clock of each frame. It remains active during the transmission of the entire first line of pixels in the frame and is then forced back to its inactive state on the rising edge of the first pixel clock of the second line of the frame. It remains at this state through the end of the frame.

AC Bias Pin Transitions Per Interrupt (API) — specifies the number of AC bias pin (L_BIAS) transitions to count before setting the AC bias count status (ACS) bit in the LCD Controller Status Register (LCSR), which signals an interrupt request. After the LCD controller is enabled, the value in API is loaded to a 4-bit down counter, and the counter decrements each time L_BIAS is inverted. When the counter reaches zero, it stops, and the AC bias count bit, LCSR[ABC], is set. Once ABC is set, the 4-bit down counter is reloaded with the value in API and is disabled until ABC is cleared. When ABC is cleared by the CPU, the down counter is enabled and again decrements each time the AC bias pin is inverted. The number of AC bias pin transitions between each interrupt request ranges from 1 to 15. Setting API to 0x0 disables the API function.

In **active display** mode ($LCCR0[PAS] = 1$), L_BIAS is the output enable signal. However, signalling of the API interrupt may still occur. The ACB bit field can be used to count line clock pulses in active mode. When the programmed number of line clock pulses occurs, an internal signal is toggled that is used to decrement the 4-bit counter used by the API interrupt logic. Once this internal signal toggles the programmed number of times, as specified by API, an interrupt is generated. The user must program API to zero if the API interrupt function is not required in active mode.

AC Bias Pin Frequency (ACB) — In **passive display** mode ($LCCR0[PAS] = 1$), the 8-bit ACB field specifies the number of line clocks to count between each toggle of the AC bias pin (L_BIAS). After the LCD controller is enabled, the value in ACB is loaded to an 8-bit down counter, which begins to decrement using the line clock (L_LCLK). When the counter reaches zero, it stops, L_BIAS is toggled, and the whole procedure starts again. The number of line clocks between each bias pin transition ranges from 1 to 256, corresponding to ACB values from 0 to 255. Thus, the value to program into ACB is the desired number of line clocks minus 1.

AC bias is used by a passive LCD display to periodically reverse the polarity of the power supplied to the screen in order to eliminate D.C. offset. If the LCD display being controlled has its own internal means of switching its power supply, set ACB to its maximum value (0xFF) to reduce power consumption. ACB must be programmed conservatively in a system with bandwidth problems that result in output FIFO underruns in the LCD Controller. In these cases, the pixel clock is stalled for passive displays, which can result in more time between line clocks than expected. See [Section 7.3.5](#) for more information on how output FIFO underruns are handled.

In **active display** mode, the ACB bit field has no effect on the L_BIAS pin. Because the pixel clock toggles continuously in active mode, the AC bias pin is used as an output enable signal. It is asserted automatically by the LCD controller in active mode whenever pixel data is driven out to the data pins to signal the display when it may latch pixels using the pixel clock. ACB can be used in active mode to count line clocks and generate API interrupts.

Pixel Clock Divider (PCD) — selects the frequency of the pixel clock (L_CLK). PCD can be any value from 0 to 255. It generates a range of pixel clock frequencies from $LCLK/2$ to $LCLK/512$, where $LCLK$ is the programmed frequency of the LCD/Memory Controller clock. $LCLK$ can vary from 100MHz to 166 MHz.

The pixel clock frequency must be adjusted to meet the required screen refresh rate, which depends on:

- number of pixels for the target display
- number of panels (single or dual)
- display type (monochrome or color)
- number of pixel clock wait states programmed at the beginning and end of each line
- number of line clocks inserted at the beginning and end of each frame
- width of the VSYNC signal in active mode or VSW line clocks inserted in passive mode
- width of the frame clock or HSYNC signal.

All of these factors alter the time duration from one frame transmission to the next. Different display manufacturers require different frame refresh rates, depending on the physical characteristics of the display. PCD is used to alter the pixel clock frequency in order to meet these requirements. The frequency of the pixel clock for a set PCD value or the required PCD value to yield a target pixel clock frequency can be calculated using the two following equations. If double pixel clock mode (DPC) is enabled, PCD must be set greater than or equal to 1.

$$PixelClock = \frac{LCLK}{2(PCD+1)}$$

$$PCD = \frac{LCLK}{2(PixelClock)} - 1$$

where

$$LCLK = LCD/Memory\ Clock$$

$$PCD = LCCR3[7:0]$$

This is a read/write register. Ignore reads from reserved bits. Write zeros to reserved bits.

Table 7-6. LCCR3 Bit Definitions (Sheet 1 of 2)

	Physical Address 0x4400_000C				LCD Controller Control Register 3								LCD Controller																			
Bit	31	30	29	28	27	26	25	24	23	22	21	20	19	18	17	16	15	14	13	12	11	10	9	8	7	6	5	4	3	2	1	0
	reserved				DPC	BPP			OEP	PCP	HSP	VSP	API				ACB				PCD											
Reset	X	X	X	X	0	0	0	0	0	0	0	0	0	0	0	0	0	0	0	0	0	0	0	0	0	0	0	0	0	0	0	0
Bits	Name		Description																													
31:28	-		reserved																													
27	DPC	Double Pixel Clock mode: 0 = The L_PCLK pin is driven at the frequency specified by PCD. 1 = The L_PCLK pin is driven at double the frequency specified by PCD.																														
26:24	BPP	Bits Per Pixel: 000 – 1-bits/pixel [4 entry, 8 byte palette buffer (only first 2 entries are used)] 001 – 2-bits/pixel [4 entry, 8 byte palette buffer] 010 – 4-bits/pixel [16 entry, 32 byte palette buffer] 011 – 8-bits/pixel [256 entry, 512 byte palette buffer] 100 – 16-bits/pixel [no palette buffer] 101, 110, 111 – reserved																														
23	OEP	Output Enable Polarity: 0 = L_BIAS pin is active high and inactive low in active display mode. 1 = L_BIAS pin is active low and inactive high in active display mode. In active display mode, data is driven out to the LCD's data pins on the programmed pixel clock edge when the L_BIAS pin is active. OEP is ignored in passive display mode.																														
22	PCP	Pixel Clock Polarity: 0 = Data is sampled on the LCD data pins on the rising edge of L_PCLK. 1 = Data is sampled on the LCD data pins on the falling edge of L_PCLK.																														
21	HSP	Horizontal Sync Polarity: 0 = L_LCLK pin is active high and inactive low. 1 = L_LCLK pin is active low and inactive high.																														
20	VSP	Vertical Sync Polarity: 0 = L_FCLK pin is active high and inactive low. 1 = L_FCLK pin is active low and inactive high.																														

Table 7-6. LCCR3 Bit Definitions (Sheet 2 of 2)

		Physical Address 0x4400_000C				LCD Controller Control Register 3								LCD Controller																							
Bit		31	30	29	28	27	26	25	24	23	22	21	20	19	18	17	16	15	14	13	12	11	10	9	8	7	6	5	4	3	2	1	0				
		reserved				DPC	BPP			OE	PCP	HSP	VSP	API				ACB				PCD															
Reset		X	X	X	X	0	0	0	0	0	0	0	0	0	0	0	0	0	0	0	0	0	0	0	0	0	0	0	0	0	0	0	0	0	0	0	0
Bits	Name	Description																																			
19:16	API	AC bias Pin transitions per Interrupt. Value (0–15) is used to specify the number of AC bias pin transitions to count before setting the line count status (ABC) bit, signalling an interrupt request. The counter is frozen when ABC is set and is restarted when ABC is cleared by software. This function is disabled when API=0x0.																																			
15:8	ACB	AC Bias pin frequency: In passive-display mode (LCCR0[PAS]=0), value (0–255) specifies the number of line clocks to count before toggling the AC bias pin. This pin is used to periodically invert the polarity of the power supply to prevent D.C. charge buildup within the display. If the passive display being controlled does not need to use L_BIAS, program ACB to its maximum value (0xFF) to conserve power. ACB can be used in conjunction with API to count line clocks in active mode (LCCR0[PAS] = 1). Number of line clocks/toggle of the L_BIAS pin = (ACB+1)																																			
7:0	PCD	Pixel Clock Divisor: Value (0–255) is used to specify the frequency of the pixel clock based on the LCD/Memory Controller clock (LCLK) frequency. The Pixel clock frequency can range from LCLK/2 to LCLK/512. Pixel Clock Frequency = LCLK/(2*(PCD+1)). PCD must be programmed with a value of 1 or greater if Double Pixel Clock Mode is enabled.																																			

7.6.5 LCD Controller DMA

The LCD controller has two fully independent DMA channels used to transfer both the palette buffer and the frame buffer from external memory to the LCD controller. The LCD DMA controller (DMAC) behaves much like the processor DMAC in descriptor fetch mode. DMA channel 0 is used for single-panel display mode and the upper screen in dual-panel mode. DMA channel 1 is used exclusively for the lower screen in dual-panel mode. The palette RAM is always loaded through DMA channel 0. All of the information for the DMA transfers is maintained in registers within the LCD DMAC. These registers are loaded from *frame descriptors* located in main memory. One descriptor must be used per frame buffer in memory. A separate descriptor is also used when the palette RAM is loaded. Multiple descriptors can be chained together in a list, making it possible for the DMAC to transfer data from an essentially infinite number of discontinuous locations. The four DMA register types are numbered according to the associated DMA channel: See [Section 7.6.5.2](#), [Section 7.6.5.3](#), [Section 7.6.5.4](#), and [Section 7.6.5.5](#) for more information.

7.6.5.1 Frame Descriptors

Although the FDADR_x registers are loaded by software, the other DMA registers can only be loaded indirectly from DMA frame descriptors. A frame descriptor is a four-word block, aligned on a 16-byte boundary, in main memory:

word[0] contains the value for FDADR_x

word[1] contains the value for FSADR_x
 word[2] contains the value for FIDR_x
 word[3] contains the value for LDCMD_x

Software must write the location of the first descriptor to FDADR_x before enabling the LCD controller. Once the controller is enabled, the first descriptor is read, and all four registers are written by the DMAC. The next frame descriptor pointed to by FDADR_x is loaded into the registers for the associated DMA channel after all data for the current descriptor has been transferred.

The address in FDADR_x is not used when the BRA bit in the Frame Branch Register (FBR_x) is set. In this case, the Frame Branch Address is used to fetch the descriptor for the next frame. Branches can be used to load a new palette or to process a regular frame, as detailed in Section 7.6.6.

Note: If only one frame buffer is used in external memory, the FDADR_x field (word[0] of the frame descriptor) must point back to itself.

7.6.5.2 LCD DMA Frame Descriptor Address Registers (FDADR_x)

FDADR₀ and FDADR₁, shown in Table 7-7, correspond to DMA channels 0 and 1 and contain the memory address of the next descriptor for the DMA channel. The DMAC fetches the descriptor at this location after finishing the current descriptor. On reset, the bits in this register are undefined. The target address must be aligned to a 16-byte boundary. Bits [2:0] of the address must be zero.

These are read/write registers. Ignore reads from reserved bits. Write zeros to reserved bits.

Table 7-7. FDADR_x Bit Definitions

	Physical Address channel 0: 0x4400_0200 channel 1: 0x4400_0210																FDADR0 FDADR1		LCD Controller															
Bit	31	30	29	28	27	26	25	24	23	22	21	20	19	18	17	16	15	14	13	12	11	10	9	8	7	6	5	4	3	2	1	0		
	Descriptor Address																																	
Reset	?	?	?	?	?	?	?	?	?	?	?	?	?	?	?	?	?	?	?	?	?	?	?	?	?	?	?	?	?	?	?	?	?	
	Bits		Name		Description																													
	31:0		Descriptor Address		Address of next descriptor. Bits [2:0] must be zero for proper memory alignment.																													

7.6.5.3 LCD DMA Frame Source Address Registers (FSADR_x)

FSADR₀ and FSADR₁, shown in Table 7-8, correspond to DMA channels 0 and 1 and contain the source address of the current descriptor for the DMA channel. The address must be aligned on an 8-byte boundary. Bits [2:0] must be zero. If this descriptor is a palette load, FSADR_x points to the memory location at the beginning of the palette data. The size of the palette data must be four 16-bit entries for 1- and 2-bit pixels, sixteen 16-bit entries for 4-bit pixels, or 256 16-bit entries for 8-bit pixels. If this descriptor is for pixel data, FSADR_x points to the beginning of the frame buffer in memory. This address is incremented as the DMAC fetches from memory. If desired, the DMA Frame ID Register can be used to hold the initial frame source address.

These read-only registers are loaded indirectly via the frame descriptors, as described in Section 7.6.5.1.

These are read-only registers. Ignore reads from reserved bits.

Table 7-8. FSADRx Bit Definitions

		Physical Address channel 0: 0x4400_0204 channel 1: 0x4400_0214	FSADR0 FSADR1	LCD Controller																																	
Bit		31	30	29	28	27	26	25	24	23	22	21	20	19	18	17	16	15	14	13	12	11	10	9	8	7	6	5	4	3	2	1	0				
		Frame Source Address																																			
Reset		?	?	?	?	?	?	?	?	?	?	?	?	?	?	?	?	?	?	?	?	?	?	?	?	?	?	?	?	?	?	?	?	?	?	?	?
Bits	Name	Description																																			
31:0	Frame Source Address	Address of the palette or pixel frame data in memory. Bits [2:0] must be zero for proper memory alignment.																																			

7.6.5.4 LCD DMA Frame ID Registers (FIDRx)

FIDRx, shown in Table 7-9, correspond to DMA channels 0 and 1 and contain an ID field that describes the current frame. The particular use of this field is up to the user. This ID register is copied to the LCD Controller Interrupt ID Register when an interrupt occurs.

These read-only registers are loaded indirectly via the frame descriptors, as described in Section 7.6.5.1.

These are read-only registers. Ignore reads from reserved bits.

Table 7-9. FIDRx Bit Definitions

		Physical Address channel 0: 0x4400_0208 channel 1: 0x4400_0218	FIDR0 FIDR1	LCD Controller																																	
Bit		31	30	29	28	27	26	25	24	23	22	21	20	19	18	17	16	15	14	13	12	11	10	9	8	7	6	5	4	3	2	1	0				
		Frame ID																														reserved					
Reset		?	?	?	?	?	?	?	?	?	?	?	?	?	?	?	?	?	?	?	?	?	?	?	?	?	?	?	?	?	?	?	?	?	X	X	X
Bits	Name	Description																																			
31:3	Frame ID	Frame ID.																																			
2:0	—	reserved																																			

7.6.5.5 LCD DMA Command Registers (LDCMDx)

LDCMDx, shown in [Table 7-10](#), correspond to DMA channels 0 and 1 and contain configuration fields and the length of the current descriptor for the DMA channel. On reset, the bits in these register are initialized to zero. Reserved bits must be written with zeros and reads from reserved bits must be ignored.

These read-only registers are loaded indirectly via the frame descriptors, as described in [Section 7.6.5.1](#).

Load Palette (PAL) — indicates that data being fetched will be loaded into the palette RAM. If PAL is set to one, the palette RAM is loaded with the first 8, 32, or 512-bytes of data as follows:

8 bytes for 1 and 2-bit pixels

32 bytes for 4-bit pixels

512 bytes for 8-bit pixels.

Software must load the palette at least once after enabling the LCD. Otherwise, the palette entries will not be initialized, and the frame data will not have a valid frame palette to reference.

The palette must not be loaded if the LCD is operating in 16-bit pixel mode.

Note: The PAL bit must never be set in LDCMD1, since the palette is always loaded with Channel 0.

Start Of Frame Interrupt (SOFINT) — when set, the DMAC sets the start of frame bit (LCSR[SOF]) when starting a new frame. The SOF bit is set after a new descriptor is loaded from memory and before the palette/frame data is fetched.

In dual-panel mode, LCSR[SOF] is set only when both channels reach the start of frame and both frame descriptors have SOFINT set. SOFINT must not be set for palette descriptors in dual-panel mode, since only one channel is ever used to load the palette RAM.

End Of Frame Interrupt (EOFINT) — when set, the DMAC sets the end of frame bit (LCSR[EOF]) after fetching the last word in the frame buffer.

In dual-panel mode, LCSR[EOF] is set only when both channels reach the end of frame and both frame descriptors have EOFINT set. EOFINT must not be set for palette descriptors in dual-panel mode, since only one channel is ever used to load the palette RAM.

Transfer Length (LEN) — determines the number of bytes fetched by the DMAC. LEN = 0 is not valid. If PAL is set to one, LEN must be programmed with the size of the palette RAM. This corresponds to:

8 bytes for 1 and 2-bit pixels (only the top 2 entries are actually used for 1-bit pixels)

32 bytes for 4-bit pixels

512 bytes for 8-bit pixels.

Note: A separate descriptor must be used to fetch the frame data.

The value of LEN for frame data is a function of the screen size and the pixel size and it must be consistent with the values used for LCCR1[PPL], LCCR2[LPP], and LCCR3[BPP]. See [Section 7.4.2](#) for instructions on calculating length. The LCD DMAC decrements LEN as it fetches data, allowing the user to read the number of bytes remaining for the current descriptor.

These are read-only registers. Ignore reads from reserved bits.

Table 7-10. LDCMDx Bit Definitions

		Physical Address channel 0: 0x4400_020C channel 1: 0x4400_021C					LDCMD0 LDCMD1		LCD Controller																							
Bit	31	30	29	28	27	26	25	24	23	22	21	20	19	18	17	16	15	14	13	12	11	10	9	8	7	6	5	4	3	2	1	0
	reserved					PAL	reserved					SOFINT	EOFINT	LEN																		
Reset	X	X	X	X	X	0	X	X	X	0	0	0	0	0	0	0	0	0	0	0	0	0	0	0	0	0	0	0	0	0	0	0
Bits	Name		Description																													
31:27	—		reserved																													
26	PAL		Load Palette: 0 = DMA in progress is <i>not</i> the palette buffer. 1 = DMA in progress is the palette buffer. PAL must not be set in LDCMD1.																													
25:23	—		reserved																													
22	SOFINT		Start of Frame Interrupt: 0 = Do not set the SOF interrupt bit in the LCD status register when starting a new frame. 1 = Set the start of frame (SOF) interrupt bit in the LCD status register when starting a new frame (after loading the frame descriptor).																													
21	EOFINT		End of Frame Interrupt: 0 = Do not set the EOF interrupt bit in the LCD status register when finished fetching the last word of this frame. 1 = Set the end of frame (EOF) interrupt bit in the LCD status register when finished fetching the last word of this frame.																													
20:0	LEN		Length of transfer in bytes: The two lowest bits [1:0] are part of the length calculation but must always be zero for proper memory alignment. LEN = 0 is illegal.																													

7.6.6 LCD DMA Frame Branch Registers (FBRx)

FBRx, one for each DMA channel, shown in Table 7-11, contain the addresses, aligned on a 4-byte boundary, of the descriptors to branch to.

When BRA is set, the Frame Descriptor Address Register is ignored. The next descriptor is fetched from the address in FBRx[31:4], regardless of whether frame data or palette RAM data is being processed. Setting BINT to one forces the DMAC to set the Branch Status interrupt bit (BS) in the LCD Controller Status Register after fetching the branched-to descriptor. BRA is automatically cleared by hardware when the branch is taken.

Note: In dual-panel mode, both FBR0 and FBR1 must be written in order to branch properly.

These are read/write registers. Ignore reads from reserved bits. Write zeros to reserved bits.

Table 7-11. FBRx Bit Definitions

Physical Address		LCD DMA Frame Branch Registers																LCD Controller															
channel 0: 0x4400_0020 channel 1: 0x4400_0024																																	
Bit	31	30	29	28	27	26	25	24	23	22	21	20	19	18	17	16	15	14	13	12	11	10	9	8	7	6	5	4	3	2	1	0	
	Frame Branch Address																										reserved	BINT	BRA				
Reset	0	0	0	0	0	0	0	0	0	0	0	0	0	0	0	0	0	0	0	0	0	0	0	0	0	0	0	0	0	X	X	0	0
Bits	Name		Description																														
31:4	Frame Branch Address		Frame Branch Address: Address of the descriptor for the branched-to frame.																														
3:2	—		reserved																														
1	BINT		Branch Interrupt: 0 = Do not set the BS interrupt bit in register LCSR after the branched-to descriptor is loaded. 1 = Set the BS interrupt bit in register LCSR after the branched-to descriptor is loaded.																														
0	BRA		Branch: 0 = Do not branch after finishing the current frame. 1 = Branch after finishing the current frame. The next descriptor will be fetched from the Frame Branch Address. BRA is automatically cleared after loading the new descriptor.																														

7.6.7 LCD Controller Status Register (LCSR)

LCSR, shown in [Table 7-12](#), contains bits that signal:

- Underrun errors for both the input and output FIFOs
- AC bias pin transition count
- LCD disable and quick disable
- DMA start/end frame and branch status
- DMA transfer bus error conditions.

Unless masked, each of these hardware-detected events signals an interrupt request to the interrupt controller. Two bits, BER and ABC, generate nonmaskable interrupts.

Each of the LCD's status bits continues to signal an interrupt request for as long as the bit is set. Once the bit is cleared, the interrupt is cleared. Status bits are referred to as sticky (once set by hardware, they must be cleared by software). Writing one to a sticky status bit clears it. Writing zero has no effect. All LCD interrupts can be masked by programming the Interrupt Controller Mask Register (ICMR). See [Section 4.2, "Interrupt Controller"](#) on page 4-20 for more details.

Subsequent Interrupt Status (SINT) — set when an unmasked interrupt occurs and there is already a pending interrupt. The frame ID of the first interrupt is saved in the LCD controller interrupt ID register (LIIDR). SINT is set only for bus error, start of frame, end of frame, and branch status interrupts.

Note: If a branched-to descriptor has SOF set, both the SOF and branch interrupts are signalled at the same time, and SINT is not set.

Branch Status (BS) — set after the DMA controller has branched and loaded the descriptor from the frame branch address in the frame branch register, and the branch interrupt (BINT) bit in the frame branch register is set. When BS is set, an interrupt request is made to the interrupt controller if it is unmasked (LCCR0[BM] = 0).

In dual-panel mode (LCCR0[SDS] = 1), both DMA channels are enabled, and BS is set only after both channels' frames have been fetched. BS remains set until cleared by software.

End Of Frame Status (EOF) — set after the DMA controller has finished fetching a frame from memory and that frame's descriptor has the end-of-frame interrupt bit set (LDCMDx[EOFINT] = 1). When EOF is set, an interrupt request is made to the interrupt controller if it is unmasked (LCCR0[EFM] = 0).

When dual-panel mode is enabled (LCCR0[SDS] = 1), both DMA channels are enabled, and SOF is set only after both channels' frames have been fetched. EOF remains set until cleared by software.

LCD Quick Disable Status (QD) — set when LCD Enable (LCCR0[ENB]) is cleared and the DMA controller finishes any current data burst. When QD is set, an interrupt request is made to the interrupt controller if it is unmasked (LCCR0[QDM] = 0). This forces the LCD controller to stop immediately and quit driving the LCD pins. Quick disable is intended for use with Sleep shutdown.

Output FIFO Underrun Status (OU) — set when an output FIFO is completely empty and the LCD's data pin driver logic attempts to fetch data from the FIFO. It is cleared by writing one to the bit. OU is used for single- and dual-panel displays. In dual-panel mode (LCCR0[SDS] = 1), both FIFOs are filled and emptied at the same time, so that underrun occurs at the same time for both

panels. When OU is set, an interrupt request is made to the interrupt controller if it is unmasked (LCCR0[OUM] = 0). Output FIFO underruns are more important than Input FIFO underruns, because they affect the panel.

Input FIFO Underrun Upper Panel Status (IUU) — set when the upper panel's input FIFO is completely empty and the LCD controller's pixel unpacking logic attempts to fetch data from the FIFO. It is cleared by writing one to the bit. IUU is used in both single-panel (LCCR0[SDS] = 0) and dual-panel (SDS = 1) modes. When IUU is set, an interrupt request is made to the interrupt controller if it is unmasked (LCCR0[IUM] = 0).

Input FIFO Underrun Lower Panel Status (IUL) — used only in dual-panel mode (LCCR0[SDS] = 1) and is set when the lower panel's input FIFO is completely empty and the LCD controller's pixel unpacking logic attempts to fetch data from the FIFO. It is cleared by writing one to the bit. When IUL is set, an interrupt request is made to the interrupt controller if it is unmasked (LCCR0[IUM]=0).

AC Bias Count Status (ABC) — set each time the AC bias pin (L_BIAS) toggles the number of times specified in the AC bias pin transitions per interrupt (API) field in LCCR3. If API is programmed with a non-zero value, a counter is loaded with the value in API and is decremented each time L_BIAS toggles. When the counter reaches zero, ABC is set, which signals an interrupt request to the interrupt controller. The counter reloads using the value in API but does not start to decrement again until ABC is cleared by software.

Bus Error Status (BER) — set when a DMA transfer causes a system bus error. The error is signalled when the DMA controller attempts to access a reserved or nonexistent memory space. When this occurs, the DMA controller stops and remains halted until software installs a valid memory address into the FDADR_x register. In dual-channel mode, both channels are stopped. FDADR₀ and FDADR₁ must be rewritten to continue LCD operation. BER remains set until cleared by software.

Start Of Frame Status (SOF) — set after the DMA controller has loaded a new descriptor and that descriptor has the start of frame interrupt bit set (LDCMD_x[SOFINT] = 1). When SOF is set, an interrupt request is made to the interrupt controller if it is unmasked (LCCR0[SFM] = 0). In dual-panel mode (LCCR0[SDS] = 1), both DMA channels are enabled, and SOF is set only after both channels' descriptors have been loaded. SOF remains set until cleared by software.

LCD Disable Done Status (LDD) — set by hardware after the LCD has been disabled and the frame that is active has been sent to the LCD data pins. When the LCD controller is disabled by setting the LCD disable bit in LCCR0, the current frame is completed before the controller is disabled. After the last set of pixels is clocked out onto the LCD data pins by the pixel clock, the LCD controller is disabled, LDD is set, and an interrupt request is made to the interrupt controller if it is unmasked (LCCR0[LDM] = 0). LDD remains set until cleared by software.

Performing a quick disable by clearing LCCR0[ENB] does not set LDD.

This is a read/write register. Ignore reads from reserved bits. Write zeros to reserved bits.

Table 7-12. LCSR Bit Definitions (Sheet 1 of 2)

		Physical Address 0x4400_0038	LCD Controller Status Register 1																	LCD Controller																
Bit		31	30	29	28	27	26	25	24	23	22	21	20	19	18	17	16	15	14	13	12	11	10	9	8	7	6	5	4	3	2	1	0			
		reserved																				SINT	BS	EOF	QD	OU	IUU	IUL	ABC	BER	SOF	LDD				
Reset		X	X	X	X	X	X	X	X	X	X	X	X	X	X	X	X	X	X	X	X	X	0	0	0	0	0	0	0	0	0	0	0			
Bits	Name	Description																																		
31:11	—	reserved																																		
10	SINT	Subsequent Interrupt status, maskable interrupt: 0 = A second unmasked branch, start of frame, end of frame, or bus error interrupt has NOT occurred before a previous interrupt has completed. 1 = A second unmasked branch, start of frame, end of frame, or bus error interrupt has occurred before the previous interrupt has been cleared. The value in the Interrupt Frame ID Register is not replaced with the value from the second interrupt.																																		
9	BS	Branch Status, maskable interrupt: 0 = The DMA has not loaded a branched-to descriptor, or the DMA has loaded a branched-to descriptor, but the branch interrupt (BINT) bit is not set in the Frame Branch Register. 1 = The DMA has loaded a branched-to descriptor, and the BINT bit is set.																																		
8	EOF	End Of Frame status, maskable interrupt: 0 = A new frame with the EOFINT bit set in its descriptor has not been processed. 1 = The DMA has finished fetching a frame with the EOFINT bit set in its descriptor.																																		
7	QD	LCD Quick Disable status, maskable interrupt: 0 = LCD has not been quickly disabled by clearing LCCCR0[ENB]. 1 = LCD has been quickly disabled.																																		
6	OU	Output FIFO Underrun status, maskable interrupt: 0 = Output FIFOs have not underrun. 1 = LCD dither logic is not supplying data to output FIFOs for the panel at a sufficient rate. The output FIFOs have completely emptied.																																		
5	IUU	Input FIFO Underrun Upper panel status, maskable interrupt: 0 = The input FIFO for the upper (dual-panel mode) or whole panel (single-panel mode) display has not underrun. 1 = DMA is not supplying data to the input FIFO for the upper or whole panel at a sufficient rate. The FIFO has completely emptied, and the pixel unpacking logic has attempted to take data from the FIFO.																																		
4	IUL	Input FIFO Underrun Lower panel status, dual-panel mode only, maskable interrupt: 0 = The input FIFO for the lower panel display has not underrun. 1 = DMA is not supplying data to the input FIFO for the lower panel at a sufficient rate. The FIFO has completely emptied, and the pixel unpacking logic has attempted to take data from the FIFO.																																		
3	ABC	AC Bias Count status, nonmaskable interrupt: 0 = The AC bias transition counter has not decremented to zero. 1 = The AC bias transition counter has decremented to zero, indicating that the L_BIAS pin has toggled the number of times specified by the LCCR3[API] control-bit field. The counter is reloaded with the value in API but is disabled until the user clears ABC.																																		

Table 7-12. LCSR Bit Definitions (Sheet 2 of 2)

Physical Address 0x4400_0038		LCD Controller Status Register 1											LCD Controller																			
Bit	31	30	29	28	27	26	25	24	23	22	21	20	19	18	17	16	15	14	13	12	11	10	9	8	7	6	5	4	3	2	1	0
	reserved																					SINT	BS	EOF	QD	OU	IUU	IUL	ABC	BER	SOF	LDD
Reset	X	X	X	X	X	X	X	X	X	X	X	X	X	X	X	X	X	X	X	X	X	0	0	0	0	0	0	0	0	0	0	0
Bits	Name		Description																													
2	BER		Bus error status, <i>nonmaskable</i> interrupt: 0 = DMA has not attempted an access to reserved/nonexistent memory space. 1 = DMA has attempted an access to a reserved/nonexistent location in external memory.																													
1	SOF		Start Of Frame status, <i>maskable</i> interrupt: 0 = A new frame descriptor with its SOFINT bit set has not been fetched. 1 = The DMA has begun fetching a new frame with its SOFINT bit set.																													
0	LDD		LCD Disable Done status, <i>maskable</i> interrupt: 0 = LCD has not been disabled or the last active frame completed. 1 = LCD has been disabled and the last active frame has completed.																													

7.6.8 LCD Controller Interrupt ID Register (LIIDR)

LIIDR, shown in Table 7-13, contains a copy of the Frame ID Register (FIDR) from the descriptor currently being processed when a start of frame (SOF), end of frame (EOF), branch (BS), or bus error (BER) interrupt is signalled. LIIDR is written to only when an unmasked interrupt of the above type is signalled and there are no other unmasked interrupts in the LCD controller pending. As such, the register is considered to be sticky and will be overwritten only when the signalled interrupt is cleared by writing the LCD controller status register. Except for a bus error, in dual panel mode LIIDR is written only when both channels have reached a given state. LIIDR is written with the last channel to reach that state. (i.e. FIDR of the last channel to reach SOF would be written in LIIDR if SOF interrupts are enabled).

This is a read/write register. Ignore reads from reserved bits. Write zeros to reserved bits.

Table 7-13. LIICR Bit Definitions

Physical Address 0x4400_003C		LCD Controller Interrupt ID Register											LCD Controller																				
Bit	31	30	29	28	27	26	25	24	23	22	21	20	19	18	17	16	15	14	13	12	11	10	9	8	7	6	5	4	3	2	1	0	
	IFRAMEID																					reserved											
Reset	?	?	?	?	?	?	?	?	?	?	?	?	?	?	?	?	?	?	?	?	?	?	?	?	?	?	?	?	?	?	X	X	X
Bits	Name		Description																														
31:3	IFRAMEID		Interrupt Frame ID																														
2:0	—		reserved																														

7.6.9 TMED RGB Seed Register (TRGBR)

TRGBR, shown in Table 7-14 contains the three (red, green, blue) eight-bit seed values used by the TMED algorithm. This value is added into the modified pixel data value as an offset in creating the lower boundary for the algorithm. These values are used during the dithering process for passive (DSTN) displays. The default, recommended setting is 0x00AA5500. This setting provides superior display results in most cases.

This is a write-only register. Write zeros to reserved bits.

Table 7-14. TRGBR Bit Definitions

	Physical Address 0x4400_0040								TMED RGB Seed Register								LCD Controller																			
Bit	31	30	29	28	27	26	25	24	23	22	21	20	19	18	17	16	15	14	13	12	11	10	9	8	7	6	5	4	3	2	1	0				
	reserved								TBS								TGS								TRS											
Reset	X	X	X	X	X	X	X	X	0xAA								0x55								0x00											
	Bits		Name		Description																															
	31:24		—		reserved																															
	23:16		TBS		TME Blue Seed value																															
	15:8		TGS		TME Green Seed value																															
	7:0		TRS		TME Red Seed Value																															

7.6.10 TMED Control Register (TCR)

TCR, shown in [Table 7-15](#), selects various options available in the TMED dither algorithm. There are two Temporal Modulated Energy Distribution algorithms that can be used. The default, recommended setting is 0x0000754F. This setting provides superior display results in most cases.

For more details on the effects of the individual fields within this register, please refer to [Section 7.3.3](#).

TMED Energy Distribution Select (TED) — selects which matrix is used in the final step of TMED algorithm. TMED = 1 selects the (preferred) TMED2 matrix. TMED = 0 selects the older TMED matrix. After the pixel value has gone through the algorithm to determine a lower and upper boundary, the row and column counters are combined and run through one of the matrices to obtain a number that will be compared to the 2 boundaries. If that number is between the 2 boundaries, then the data out for this pixel in this frame is a 1, otherwise it is a 0.

TMED Horizontal Beat Suppression (THBS) — is the column shift value used as an offset that is combined with the row (line) counter and the pixel counter to create an address to lookup in the matrix. The matrix output is compared to the upper and lower boundaries defined in [Section 7.3.3](#).

TMED Vertical Beat Suppression (TVBS) — is the block shift value used as an offset that is combined with the pixel counter.

TMED Frame Number Adjuster Enable (FNAME) — allows the frame number adjuster to add an offset to the current frame number before the value is sent through the algorithm. Setting this bit enables the addition of the current frame number to a value composed from the row and column counters. This value comes from one of the two look up matrices which is selected by TMED[FNAM].

TMED Color Offset Adjuster Enable (COAE) — enables the color offset adjuster for each color. The color offset adjuster creates the offset in the lower boundary in the TMED algorithm (refer to [Section 7.3.3](#)). The Offset is created by adding either the output of the lookup matrix (input was the Color Value) or '00' to the Seed value in the TSR for that color. The color offset adjuster for each color can be disabled by clearing this bit. When cleared, this bit allows only the Seed Register value to go through the algorithm.

TMED Frame Number Adjuster Matrix (FNAM) — selects which matrix is used when using the frame number adjuster. A 1 will select the (recommended) TMED2 matrix, and a 0 will select the older TMED matrix.

TMED Color Offset Adjuster Matrix (COAM) — selects which matrix is used when using the color offset adjuster. A 1 will select the (recommended) TMED2 matrix, and a 0 will select the older TMED matrix.

This is a read/write register. Ignore reads from reserved bits. Write zeros to reserved bits.

Table 7-15. TCR Bit Definitions

	Physical Address 0X4400_0044																TMED Control Register				LCD Controller											
Bit	31	30	29	28	27	26	25	24	23	22	21	20	19	18	17	16	15	14	13	12	11	10	9	8	7	6	5	4	3	2	1	0
	reserved																TED	reserved	THBS				TVBS				FNAME	COAE	FNAM	COAM		
Reset	X	X	X	X	X	X	X	X	X	X	X	X	X	X	X	X	X	1	1	1	0	1	0	1	0	1	0	0	1	1	1	1
Bits	Name		Description																													
31:15	—		reserved																													
14	TED		TMED Energy Distribution Matrix Select 0 = Selects Matrix 1 1 = Selects Matrix 2																													
13:12	—		reserved																													
11:8	THBS		TMED Horizontal Beat Suppression Specifies the column shift value.																													
7:4	TVBS		TMED Vertical Beat Suppression Specifies the block shift value.																													
3	FNAME		TMED Frame Number Adjuster Enable 0 = Disable frame number adjuster. 1 = Enable frame number adjuster.																													
2	COAE		TMED Color Offset Adjuster Enable 0 = Disable color offset adjuster. 1 = Enable color offset adjuster.																													
1	FNAM		TMED Frame Number Adjuster Matrix 0 = Selects Matrix 1 for frame number adjuster. 1 = Selects Matrix 2 for frame number adjuster.																													
0	COAM		TMED Color Offset Adjuster Matrix 0 = Selects Matrix 1 for color offset adjuster. 1 = Selects Matrix 2 for color offset adjuster.																													

7.7 LCD Controller Register Summary

Table 7-16 shows the registers associated with the LCD Controller and the physical addresses used to access them. All of the LCD registers must be accessed as 32-bit values.

Table 7-16. LCD Controller Register Summary (Sheet 1 of 2)

Address	Name	Description
0x4400_0000	LCCR0	LCD controller control register 0
0x4400_0004	LCCR1	LCD controller control register 1
0x4400_0008	LCCR2	LCD controller control register 2
0x4400_000C	LCCR3	LCD controller control register 3
0x4400_0020	FBR0	DMA channel 0 frame branch register

Table 7-16. LCD Controller Register Summary (Sheet 2 of 2)

Address	Name	Description
0x4400_0024	FBR1	DMA channel 1 frame branch register
0x4400_0038	LCSR	LCD controller status register
0x4400_003C	LIIDR	LCD controller interrupt ID register
0x4400_0040	TRGBR	TMED RGB Seed Register
0x4400_0044	TCR	TMED Control Register
0x4400_0200	FDADR0	DMA channel 0 frame descriptor address register
0x4400_0204	FSADR0	DMA channel 0 frame source address register
0x4400_0208	FIDR0	DMA channel 0 frame ID register
0x4400_020C	LDCMD0	DMA channel 0 command register
0x4400_0210	FDADR1	DMA channel 1 frame descriptor address register
0x4400_0214	FSADR1	DMA channel 1 frame source address register
0x4400_0218	FIDR1	DMA channel 1 frame ID register
0x4400_021C	LDCMD1	DMA channel 1 command register



Synchronous Serial Port Controller 8

This chapter describes the Synchronous Serial Port Controller's (SSPC) signal definitions and operation for the PXA255 processor usage.

8.1 Overview

The SSPC is a full-duplex synchronous serial interface and can connect to a variety of external analog-to-digital (A/D) converters, audio and telecom codecs, and other devices that use serial protocols for transferring data. The SSPC supports National's Microwire*, Texas Instruments' Synchronous Serial Protocol* (SSP), and Motorola's Serial Peripheral Interface* (SPI) protocol.

The SSPC operates in master mode (the attached peripheral functions as a slave) and supports serial bit rates from 7.2 KHz to 1.84 MHz. Serial data formats may range from 4 to 16 bits in length. The SSPC provides 16 entries deep x 16 bits wide transmit and receive data FIFOs.

The FIFOs may be loaded or emptied by the Central Processor Unit (CPU) using programmed I/O, or DMA burst transfers of 4 or 8 half-words per transfer while receiving or transmitting.

8.2 Signal Description

This section describes the SSPC signals.

8.2.1 External Interface to Synchronous Serial Peripherals

Table 8-1 lists the external signals that connect the SSP to an external peripheral.

Table 8-1. External Interface to Codec

Name	Direction	Description
SSPSCLK	Output	Serial bit-rate clock
SSPSFRM	Output	Frame indicator
SSPTXD	Output	Transmit Data (serial data out)
SSPRXD	Input	Receive Data (serial data in)
SSPEXTCLK	Input	External clock which can be selected to drive the serial clock (SSPSCLK)

SSPSCLK is the bit-rate clock driven from the SSPC to the peripheral. SSPSCLK is toggled only when data is actively being transmitted and received.

SSPSFRM is the framing signal, indicating the beginning and the end of a serialized data word.

SSPTXD and SSPRXD are the Transmit and Receive serial data lines.

SSPEXTCLK is an external clock (input through GPIO27) that replaces the standard 3.6864 MHz clock used to generate the serial bit-rate clock (SSPSCLK). The external clock is internally divided by 2 and then further divided by the value in SSCRO[SCR].

If SSP operation is disabled, the five SSP pins are available for GPIO use. See [Chapter 4, “System Integration Unit”](#) for details on configuring pin direction and interrupt capabilities.

8.3 Functional Description

Serial data is transferred between the processor and an external peripheral through FIFO buffers in the SSPC. Data transfers to system memory are handled by either the CPU (using programmed I/O) or by DMA. Operation is full duplex - separate buffers and serial data paths permit simultaneous transfers to and from the external peripheral.

Programmed I/O transmits and receives data directly between the CPU and the transmit/receive FIFO's. The DMA controller transfers data during transmit and receive operations between memory and the FIFO's. DMA programming guidelines are found in [Chapter 5, “DMA Controller”](#).

8.3.1 Data Transfer

Transmit data is written by the CPU or DMA to the SSPC's transmit FIFO. The write takes the form of a programmed I/O or a DMA burst, with 4 or 8 half-words being transferred per burst. The SSPC then takes the data from the FIFO, serializes it, and transmits it via the SSPTXD signal to the peripheral. Data from the peripheral is received via the SSPRXD signal, converted to parallel words and is stored in the Receive FIFO. Read operations automatically target the receive FIFO, while write operations write data to the transmit FIFO. Both the transmit and receive FIFO buffers are 16 entries deep by 16 bits wide.

As the received data fills the receive FIFO, a programmable threshold triggers an interrupt to the Interrupt Controller. If enabled, an interrupt service routine responds by identifying the source of the interrupt and then performs one or several read operations from the inbound (receive) FIFO buffer.

8.4 Data Formats

The SSPC uses serial data formats to transfer and store data. This section describes the data formats.

8.4.1 Serial Data Formats for Transfer to/from Peripherals

Four signals are used to transfer data between the processor and external codecs or modems. Although there are three formats for serial data, they have the same basic structure:

- SSPSCLK—Defines the bit rate at which serial data is transmitted and received from the port.
- SSPSRM—Depending on the transmission format selected, defines the boundaries of a data frame, or marks the beginning of a data frame.
- SSPTXD—Transmit signal for outbound data, from system to peripheral.

- SSPRXD—Receive signal for inbound data, from peripheral to system.

A data frame can be configured to contain from 4 to 16 bits. Serial data is transmitted most significant bit first.

The SSPC supports three formats: Motorola SPI, Texas Instruments SSP, and National Microwire. The three formats have significant differences, as described below.

SSPSFRM varies for each protocol as follows:

- For SPI and Microwire formats, SSPSFRM functions as a chip select to enable the external device (target of the transfer), and is held active-low during the data transfer.
- For SSP format, SSPSFRM is pulsed high for one serial bit-clock period at the start of each frame.

SSPSCLK varies for each protocol as follows:

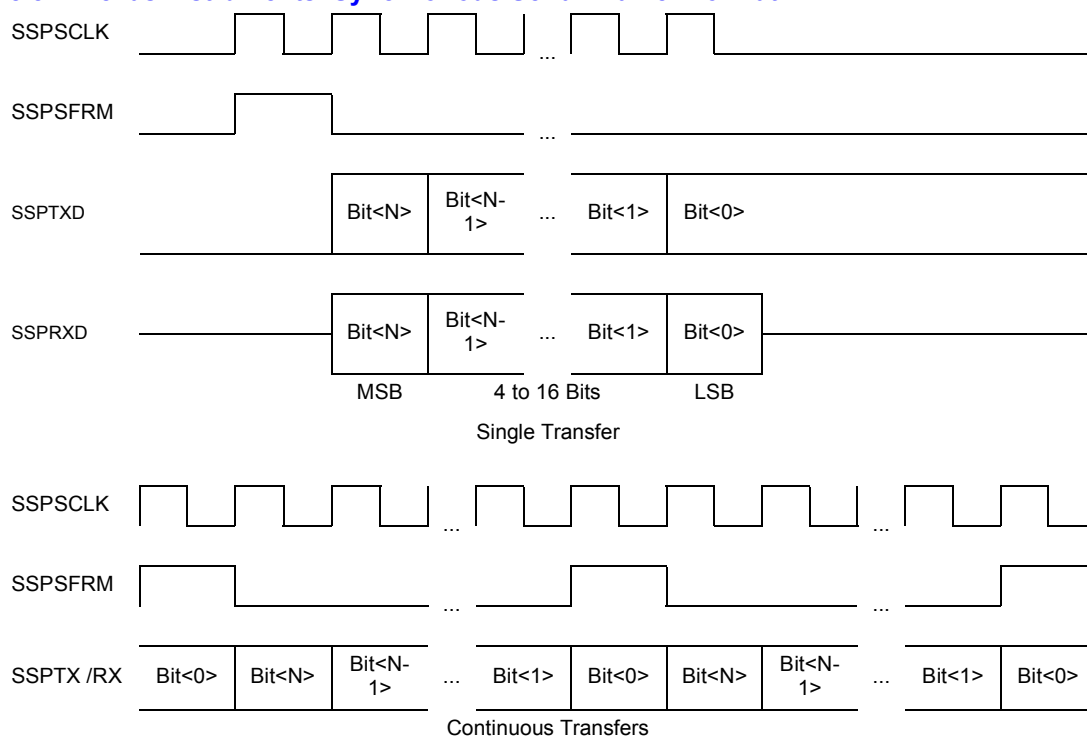
- For Microwire, both transmit and receive data sources switch data on the falling edge of SSPSCLK, and sample incoming data on the rising edge.
- For SSP, transmit and receive data sources switch data on the rising edge of SSPSCLK, and sample incoming data on the falling edge.
- For SPI, the user has the choice of which edge of SSPSCLK to use for switching outgoing data, and for sampling incoming data. In addition, the user can move the phase of SSPSCLK, shifting its active state one-half period earlier or later at the start and end of a frame.

While SSP and SPI are full-duplex protocols, Microwire uses a half-duplex master-slave messaging protocol. At the start of a frame, a 1 or 2-byte control message is transmitted from the controller to the peripheral. The peripheral does not send any data. The peripheral interprets the message and, if it is a READ request, responds with requested data, one clock after the last bit of the requesting message. Return data (part of the same frame) can be from 4 to 16 bits in length. Total frame length is 13 to 33 bits.

The serial clock (SSPSCLK) only toggles during an active frame. At other times it is held in an inactive or idle state, as defined by its specified protocol.

8.4.1.1 SSP Format Details

When outgoing data in the SSP controller is ready to be transmitted, SSPSFRM is asserted for one clock period. On the following clock period, data to be transmitted is driven on SSPTXD one bit at a time, most significant bit first. Similarly, the peripheral drives data on the SSPRXD pin. Word length is from 4 to 16 bits. All transitions take place on the SSPSCLK rising edge and data is sampled on the falling edge. At the end of the transfer, SSPTXD retains the value of the last bit sent (bit 0) through the next idle period. If the SSP Port is disabled or reset, SSPTXD is forced to zero. [Figure 8-1](#) shows the Texas Instruments' Synchronous Serial Frame* format for a single transmitted frame and when back-to-back frames are transmitted. When the bottom entry of the transmit FIFO contains data, SSPSFRM is pulsed high for one SSPSCLK period and the value to be transmitted is transferred from the transmit FIFO to the transmit logic's serial shift register. On the next rising edge of SSPSCLK, the most significant bit of the 4 to 16-bit data frame is shifted to the SSPTXD pin. Likewise, the most significant bit of the received data is shifted onto the SSPRXD pin by the off-chip serial slave device. Both the SSP and the off-chip serial slave device then latch each data bit into their serial shifter on the falling edge of each SSPSCLK. The received data is transferred from the serial shifter to the receive FIFO on the first rising edge of SSPSCLK after the last bit has been latched.

Figure 8-1. Texas Instruments' Synchronous Serial Frame* Format


8.4.1.2 SPI Format Details

The SPI format has four sub-modes. The sub-mode used depends on the SSPSCLK edge selected for driving and sampling data and on the phase mode of SSPSCLK selected (see [Section 8.7.2](#) for complete description of each mode).

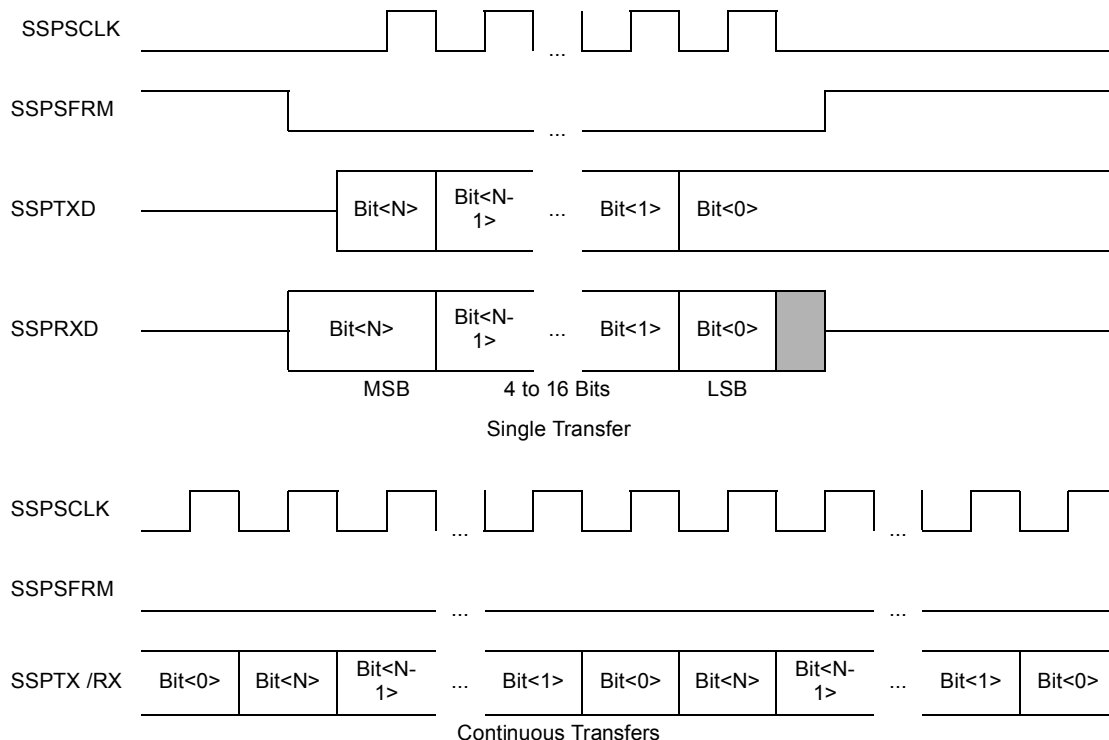
In idle mode or when the SSP is disabled, SSPSCLK and SSPTXD are low and SSPSFRM is high. When transmit (outgoing) data is ready, SSPSFRM goes low and stays low for the remainder of the frame. The most significant serial data bit is driven onto SSPTXD a half-cycle later, and halfway into the first bit period SSPSCLK asserts high and continues toggling for the remaining data bits. Data transitions on the configured SSPSCLK edge. From 4 to 16 bits may be transferred per frame.

When SSPSFRM is asserted, receive data is simultaneously driven from the peripheral on SSPRXD, most significant bit first. Data transitions on the configured SSPSCLK edge and is sampled by the controller on opposite edge. At the end of the frame, SSPSFRM is deasserted high one clock period after the last bit is latched at its destination and the completed incoming word is shifted into the incoming FIFO. The peripheral can tristate SSPRXD after sending the last bit of the frame. SSPTXD retains the last value transmitted when the controller goes into idle mode, unless the SSP port is disabled or reset (which forces SSPTXD to zero).

For back-to-back transfers, start and completion are similar to those of a single transfer but SSPSFRM does not deassert between words. Both transmitter and receiver know the word length and internally keep track of the start and end of words (frames). There are no dead bits. One frame's least significant bit is followed immediately by the next frame's most significant bit.

Figure 8-2 shows one of the four configurations for the Motorola SPI frame format for single and back-to-back frame transmissions.

Figure 8-2. Motorola SPI* Frame Format



Note: SSPSCLK's phase and polarity can be configured for four modes. This example shows one of those modes.

8.4.1.3 Microwire Format Details

Microwire format is similar to SPI, but it uses half-duplex transmissions with master-slave message passing rather than full-duplex. In idle state or when the SSP is disabled, SSPSCLK is low, SSPSFRM is high, and SSPTXD is low.

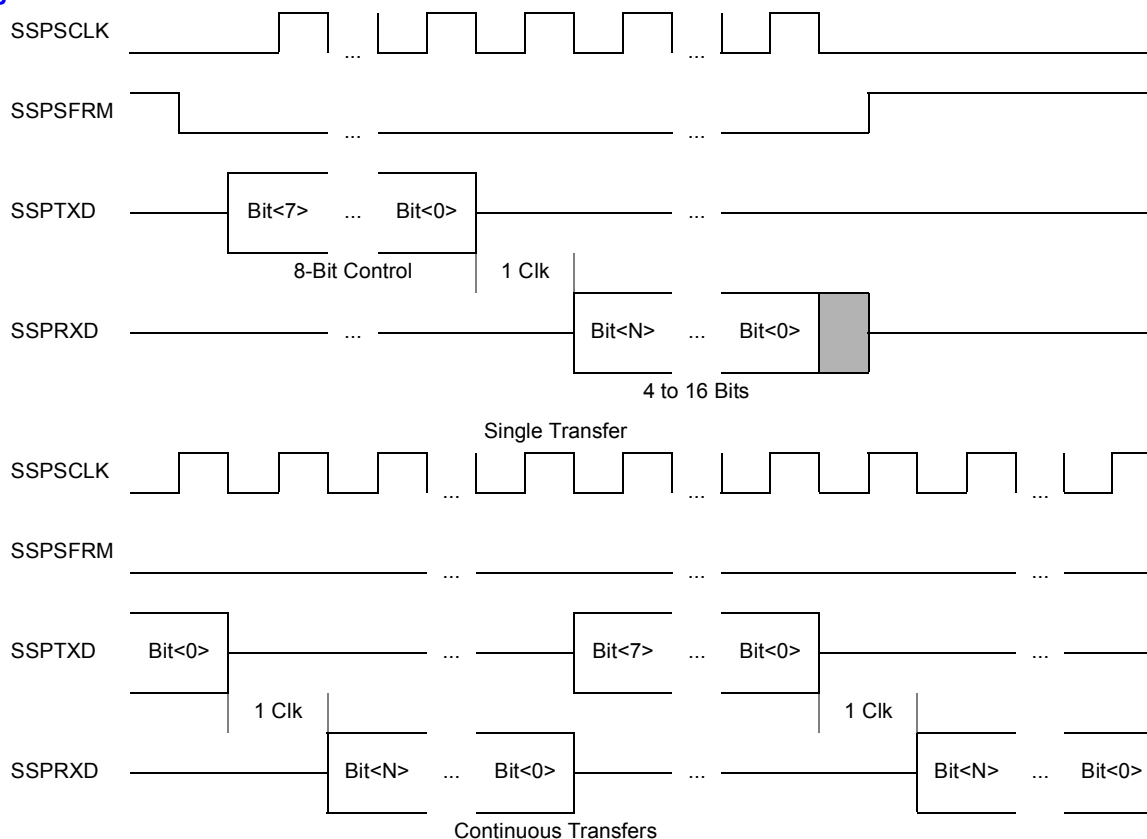
Each Microwire transmission begins with SSPSFRM assertion (low), followed by an 8 or 16-bit command word sent from controller to peripheral on SSPTXD. The command word data size is selected by the Microwire Transmit Data Size (MWDS) bit in SSP Control Register 1. SSPRXD is controlled by the peripheral and remains tristated. SSPSCLK goes high midway through the command's most significant bit and continues to toggle at the bit rate.

One bit-period after the last command bit, the peripheral must return the serial data requested, most significant bit first, on SSPRXD. Data transitions on SSPSCLK's falling edge and is sampled on the rising edge. SSPSCLK's last falling edge coincides with the end of the last data bit on SSPRXD and it remains low if it is the only or last word of the transfer. SSPSFRM deasserts high one-half clock period later.

The start and end of a series of back-to-back transfers are similar to those of a single transfer. However, SSPSFRM remains asserted (low) throughout the transfer. The end of a data word on SSPRXD is immediately followed by the start of the next command byte on SSPTXD.

Figure 8-3 shows the National Microwire frame format with 8-bit command words for single and back-to-back frame transmissions.

Figure 8-3. National Microwire* Frame Format



8.4.2 Parallel Data Formats for FIFO Storage

Data in the FIFOs is stored with one 16-bit value per data sample with no regard to the format's data word length. In each 16-bit field, the stored data sample is right-justified, the word's least significant bit is stored in bit 0, and unused bits are packed as zeroes above the most significant bit. Logic in the SSPC automatically left-justifies data in the Transmit FIFO so the sample is properly transmitted on SSPTXD in the selected frame format.

8.5 FIFO Operation and Data Transfers

Transmit and receive serial data use independent FIFOs. FIFOs are filled or emptied by programmed I/O or DMA bursts that the DMAC initiates. Bursts may be 4 or 8 half-words in length during transmission or reception.

8.5.1 Using Programmed I/O Data Transfers

Data words are 32 bits wide, but only 16-bit samples are transferred. Only the lower 2 bytes of a 32-bit word have valid data. The upper 2 bytes are not used and include invalid data that must be discarded.

The processor can fill or empty FIFOs in response to an interrupt from the FIFO logic. Each FIFO has a programmable interrupt threshold. When the threshold value is exceeded and an interrupt is enabled, an interrupt that signals the CPU to empty the receive FIFO or refill the transmit FIFO is generated.

The user can also poll the SSP Status Register (see [Section 8.7.4](#)) to determine how many samples are in a FIFO or whether the FIFO is full or empty.

8.5.2 Using DMA Data Transfers

The DMA controller can also be programmed to transfer data to and from the SSP's FIFO's. Refer to [Chapter 5, "DMA Controller"](#) for instructions on programming the DMA channels.

The steps for the DMA programming model are:

1. Program the transmit/receive byte count (buffer length) and burst size.
2. Program the DMA request to channel map register for SSP.
3. Set the run bit in the DMA control register.
4. Set the desired values in the SSP control registers.
5. Enable the SSP by setting the SSE bit in the SSP Control Register 0 (see [Section 8.7.1](#)).
6. Wait for both the DMA transmit and receive interrupt requests.

Note: If the transmit/receive byte count is not a multiple of the transfer burst size, the user must check the SSP Status Register (see [Section 8.7.4](#)) to determine if any data remains in the Receive FIFO.

8.6 Baud-Rate Generation

The baud (or bit-rate clock) is generated internally by dividing the internal clock (3.6864 MHz). The internal clock is first divided by 2 and this divided clock feeds a programmable divider to generate baud rates from 7.2 kbps to 1.8432 Mbps. Setting the External Clock Select (ECS) bit to 1 enables an external clock (SSPEXTCLK) to replace the 3.6864 MHz standard internal clock. The external clock is also divided by 2 before it is fed to the programmable divider.

8.7 SSP Serial Port Registers

The SSPC has five registers: two control, one data, one status, and one “reserved” register:

- The SSPC Control Registers (SSCR0 and SSCR1) are used to program the baud rate, data length, frame format, data transfer mechanism, and port enabling. They also control the FIFO “fullness” threshold that triggers an interrupt. These registers must be written before the SSP is enabled after reset and must only be changed when SSP is disabled.
- The SSPC Data Register (SSDR) is mapped as one 32-bit location that consists of two 16-bit registers. One register is for write operations and transfers data to the transmit FIFO. The other is for read operations and takes data from the receive FIFO. A write cycle, or burst write, loads successive half-words into the transmit FIFO. The write data occupies the lower 2 bytes of the 32-bit word. A read cycle, or burst read, similarly transfers data from the receive FIFO. The FIFOs are independent buffers that allow full duplex operation.
- The SSPC Status Register (SSSR) indicates the state of the FIFO buffers, whether the programmable threshold has been passed, and whether a transmit or receive FIFO service request is active. It also shows how many entries are occupied in the FIFO. Flag bits are set when the SSPC is actively transmitting or receiving data, when the transmit FIFO is not full, and when the receive FIFO is not empty. An error bit signals an overrun of the receive FIFO.

When the registers are programmed, reserved bits must be written as zeros and are read as undefined.

8.7.1 SSP Control Register 0 (SSCR0)

SSCR0, shown in [Table 8-2](#), contains five bit fields that control SSP data size, frame format, external clock selection, clock divisor, and SSP enable. The SSE bit is reset to a zero state to ensure the SSP is disabled. The reset states for the other control bits are shown in the table, but each reset state must be set to the desired value before the SSPC is enabled.

Table 8-2. SSCR0 Bit Definitions

		0x4100_0000																SSP Control Register 0 (SSCR0)				Synchronous Serial Port Controller											
Bit		31	30	29	28	27	26	25	24	23	22	21	20	19	18	17	16	15	14	13	12	11	10	9	8	7	6	5	4	3	2	1	0
		reserved																SCR				SSE	ECS	FRF	DSS								
Reset		X																0x00				0	0	0	0								
Bits	Name	Description																															
3:0	DSS	Data Size Select 0000 - reserved, undefined operation 0001 - reserved, undefined operation 0010 - reserved, undefined operation 0011 - 4-bit data 0100 - 5-bit data 0101 - 6-bit data 0110 - 7-bit data 0111 - 8-bit data 1000 - 9-bit data 1001 - 10-bit data 1010 - 11-bit data 1011 - 12-bit data 1100 - 13-bit data 1101 - 14-bit data 1110 - 15-bit data 1111 - 16-bit data																															
5:4	FRF	Frame Format 00 - Motorola's Serial Peripheral Interface (SPI) 01 - Texas Instruments' Synchronous Serial Protocol (SSP) 10 - National Microwire 11 - reserved, undefined operation																															
6	ECS	External clock select: 0 = On-chip clock used to produce the SSP's serial clock (SSPCLK). 1 = SSPEXTCLK is used to create the SSPCLK.																															
7	SSE	Synchronous Serial Port Enable: 0 = 0 - SSP operation disabled (pins may function as GPIOs) 1 = 1 - SSP operation enabled																															
15:8	SCR	Serial Clock Rate Value (0 to 255) used to generate transmission rate of SSP. Bit rate = $3.6864 \times 10^6 / (2 \times (SCR + 1))$ or $SSPEXTCLK / (2 \times (SCR + 1))$																															
31:16	—	reserved																															

8.7.1.1 Data Size Select (DSS)

The 4-bit data size select (DSS) field is used to determine the size of the data that the SSPC transmits and receives. The data can range from 4 to 16 bits in length. When data is programmed to be less than 16 bits, received data is automatically right-justified and the upper bits in the receive FIFO are zero-filled by receive logic. Do not left-justify transmit data before placing it in the

transmit FIFO. The transmit logic in the SSPC left-justifies the data sample according to the DSS bits before the sample is transmitted. Data sizes of 1, 2, and 3 bits are reserved and produce unpredictable results in the SSPC.

In National Microwire frame format, this bit field selects the size of the received data. The size of the transmitted command data is either 8-bit or 16-bit as selected by the MWDS bit in SSCR1.

8.7.1.2 Frame Format (FRF)

The 2-bit frame format (FRF) field is used to select Motorola SPI (FRF=00), Texas Instruments Synchronous Serial (FRF=01), or National Microwire (FRF=10) frame format.

FRF=11 is reserved and the SSPC produces unpredictable results if this value is used.

8.7.1.3 External Clock Select (ECS)

The external clock select (ECS) bit determines whether the SSPC uses the on-chip 3.6864-MHz clock or an off-chip clock supplied via SSPEXTCLK. When ECS=0, the SSPC uses the on-chip 3.6864-MHz clock to produce a range of serial transmission rates from 7.2 Kbps to 1.8432 Mbps. When ECS=1, the SSP uses SSPEXTCLK to access an off-chip clock. The off-chip clock's frequency can be any value up to 3.6864 MHz. The off-chip clock is useful when a serial transmission rate not evenly divisible from 3.6864 MHz is required for synchronization with the target off-chip slave device.

If the off-chip clock is used, the user must set the appropriate bits in the GPIO alternate function and pin direction registers that correspond to the pin. See [Chapter 4, "System Integration Unit"](#) for more details on configuring GPIO pins for alternate functions.

Note: Disable the SSPC by setting the SSPC Enable (SSE) to a 0 before setting the ECS bit to a 1. The ECS bit may be set to one either before the SSE is set to one or at the same time.

8.7.1.4 Synchronous Serial Port Enable (SSE)

The SSCR0[SSE] bit is used to enable and disable all SSP operations. When SSCR0[SSE]=0, the SSP is disabled. When SSCR0[SSE]=1, the SSP is enabled. When the SSP is disabled, all of its clocks are powered down to minimize power consumption. The SSP is disabled following a reset.

When the SSCR0[SSE] bit is cleared during active operation, the SSP is immediately disabled and the frame being transmitted is terminated. Clearing SSCR0[SSE] resets the SSP's FIFOs and the SSP status bits. The SSP's control registers are not reset when SSCR0[SSE] is cleared.

Note: After reset or after the SSCR0[SSE] is cleared, ensure that the SSCR1 and SSSR registers are properly reconfigured or reset before re-enabling the SSP with the SSCR0[SSE]. Other control bits in SSCR0 may be written at the same time as the SSCR0[SSE].

When the SSPC is disabled, its five pins may be used as GPIOs. They are configured as inputs or outputs with the control registers described in [Chapter 4, "System Integration Unit"](#). In Sleep mode, the pins' states are controlled by the GPIO sleep register. SSPC register settings have no effect on the pins in Sleep mode.

8.7.1.5 Serial Clock Rate (SCR)

The 8-bit serial clock rate (SCR) bit-field is used to select the SSPC bit rate. The SSPC has 256 bit rates, from 7.2 Kbps to 1.8432 Mbps. The serial clock generator uses the internal 3.6864 MHz clock or an external clock provided through SSPEXTCLK. The clock is divided by 2, then divided by the programmable SCR value (0 to 255) plus 1 to generate the serial clock (SSPSCLK). The resultant clock is driven on the SSPSCLK pin and is used by the SSP's transmit logic to drive data on the SSPTXD pin and to latch data on the SSPRXD pin. Depending on the frame format selected, each transmitted bit is driven on either SSPSCLK's rising or falling edge and sampled on the opposite clock edge.

This is a read/write register. Ignore reads from reserved bits. Write zeros to reserved bits.

8.7.2 SSP Control Register 1 (SSCR1)

SSCR1, shown in Table 8-3, contains bit fields that control SSP functions.

Table 8-3. SSCR1 Bit Definitions (Sheet 1 of 2)

		0x4100_0004 SSP Control Register 1 (SSCR1) Synchronous Serial Port Controller																																		
Bit		31	30	29	28	27	26	25	24	23	22	21	20	19	18	17	16	15	14	13	12	11	10	9	8	7	6	5	4	3	2	1	0			
		reserved																RFT	TFT	MWDS	SPH	SPO	LBM	TIE	RIE											
Reset		X																0x0	0x0	0	0	0	0	0	0											
Bits	Name	Description																																		
0	RIE	Receive FIFO Interrupt Enable 0 = Receive FIFO interrupt is disabled 1 = Receive FIFO interrupt is enabled																																		
1	TIE	Transmit FIFO Interrupt Enable 0 = Transmit FIFO interrupt is disabled 1 = 1 - Transmit FIFO interrupt is enabled																																		
2	LBM	Loop-Back Mode 0 = Normal serial port operation enabled 1 = Output of transmit serial shifter internally connected to input of receive serial shifter																																		
3	SPO	Motorola SPI SSPSCLK polarity setting: 0 = The inactive or idle state of SSPSCLK is low. 1 = The inactive or idle state of SSPSCLK is high.																																		
4	SPH	Motorola SPI SSPSCLK phase setting: 0 = SSPSCLK is inactive one cycle at the start of a frame and 1/2 cycle at the end of a frame. 1 = SSPSCLK is inactive 1/2 cycle at the start of a frame and one cycle at the end of a frame.																																		
5	MWDS	Microwire Transmit Data Size: 0 = 8-bit command words are transmitted. 1 = 16-bit command words are transmitted.																																		

Table 8-3. SSCR1 Bit Definitions (Sheet 2 of 2)

		0x4100_0004														SSP Control Register 1 (SSCR1)										Synchronous Serial Port Controller											
Bit		31	30	29	28	27	26	25	24	23	22	21	20	19	18	17	16	15	14	13	12	11	10	9	8	7	6	5	4	3	2	1	0				
		reserved														RFT		TFT		MWDS	SPH	SPO	LBM	TIE	RIE												
Reset		X														0x0		0x0		0	0	0	0	0	0												
	Bits	Name		Description																																	
	9:6	TFT (Transmit FIFO Threshold)		Sets threshold level at which Transmit FIFO generates an interrupt or DMA request. This level must be set to the desired threshold value minus 1.																																	
	13:10	RFT (Receive FIFO Threshold)		Sets threshold level at which Receive FIFO generates an interrupt or DMA request. This level must be set to the desired threshold value minus 1.																																	
	31:14	—		reserved																																	

8.7.2.1 Receive FIFO Interrupt Enable (RIE)

The Receive FIFO Interrupt Enable (RIE) bit is used to mask or enable the receive FIFO service request interrupt. When RIE=0, the interrupt is masked and the interrupt controller ignores the state of the Receive FIFO Service Request (RFS) bit in the SSPC Status Register. When the RIE bit is set to a 1, the interrupt is enabled and, if the RFS bit is set to a 1, an interrupt request is made to the interrupt controller. If the RIE bit is set to 0 neither the RFS bit's current state nor the receive FIFO logic's ability to set and clear the RFS bit is affected. However, the interrupt request generation is blocked.

The RIE bit's state does not affect the receive FIFO DMA request generation that is asserted when the RFS bit is set to a 1.

8.7.2.2 Transmit FIFO Interrupt Enable (TIE)

The Transmit FIFO Interrupt Enable (TIE) bit is used to mask or enable the transmit FIFO service request interrupt. When the TIE bit is set to a 0, the interrupt is masked and the interrupt controller ignores the state of the Transmit FIFO Service Request (TFS) bit in the SSPC Status Register. When the TIE bit is set to a 1, the interrupt is enabled and, if the TFS bit is set to a 1, an interrupt request is made to the interrupt controller. If the TIE bit is set to a 0, neither the TFS bit's current state nor the transmit FIFO logic's ability to set and clear the TFS bit is affected. However, the interrupt request generation is blocked.

The TIE bit's state does not affect the transmit FIFO DMA request generation that is asserted when the TFS bit is set to a 1.

8.7.2.3 Loop Back Mode (LBM)

The loop back mode (LBM) bit is used to enable and disable the SSP transmit and receive logic. When LBM=0, the SSP operates normally. The transmit and receive data paths are separate and communicate via their respective pins. However, since the SSP is a master device, it must transmit in order to receive while in either SSP or SPI mode. When LBM=1, the transmit serial shifter's output is directly connected internally to the receive serial shifter's input.

Note: Loop back mode cannot be used with Microwire frame format.

8.7.2.4 Serial Clock Polarity (SPO)

The serial clock polarity bit (SPO) selects the SSPSCLK signal's inactive state in the Motorola SPI format (FRF=00). For SPO=0, the SSPSCLK is held low in the inactive or idle state when the SSP is not transmitting/receiving data. When the SPO bit is set to a 1, the SSPSCLK is held high during the inactive/idle state. The SPO bit's programmed setting alone does not determine which SSPSCLK edge is used to transmit or receive data. The SPO bit's setting combined with the SSPSCLK phase bit (SPH) determine which edge is used.

Note: The SPO bit is ignored for all data frame formats except for the Motorola SPI format (FRF=00).

8.7.2.5 Serial Clock Phase (SPH)

The serial clock (SSPSCLK) phase bit (SPH) determines the phase relationship between the SSPSCLK and the serial frame (SSPSFRM) pins for the Motorola SPI format (FRF=00). When SPH=0, SSPSCLK remains in its inactive/idle state (as determined by the SPO setting) for one full cycle after SSPSFRM is asserted low at the beginning of a frame. SSPSCLK continues to transition for the rest of the frame and is then held in its inactive state for one-half of an SSPSCLK period before SSPSFRM is deasserted high at the end of the frame. When SPH=1, SSPSCLK remains in its inactive/idle state (as determined by the SPO setting) for one-half cycle after SSPSFRM is asserted low at the beginning of a frame. SSPSCLK continues to transition for the rest of the frame and is then held in its inactive state for one full SSPSCLK period before SSPSFRM is deasserted high at the end of the frame.

The combination of the SPO and SPH settings determines when SSPSCLK is active during the assertion of SSPSFRM and which SSPSCLK edge is used to transmit and receive data on the SSPTXD and SSPRXD pins. When SPO and SPH are programmed to the same value, transmit data is driven on SSPSCLK's falling edge and receive data is latched on SSPSCLK's rising edge. When SPO and SPH are programmed to opposite values (one 0 and the other 1), transmit data is driven on SSPSCLK's rising edge and receive data is latched on SSPSCLK's falling edge.

The SPH is ignored for all data frame formats except the Motorola SPI format (FRF=00).

Figure 8-4 shows the pin timing for the four SPO and SPH programming combinations. SPO inverts the SSPSCLK signal's polarity and SPH determines the phase relationship between SSPSCLK and SSPSFRM, shifting the SSPSCLK signal one-half phase to the left or right during the SSPSFRM assertion.

Figure 8-4. Motorola SPI* Frame Formats for SPO and SPH Programming

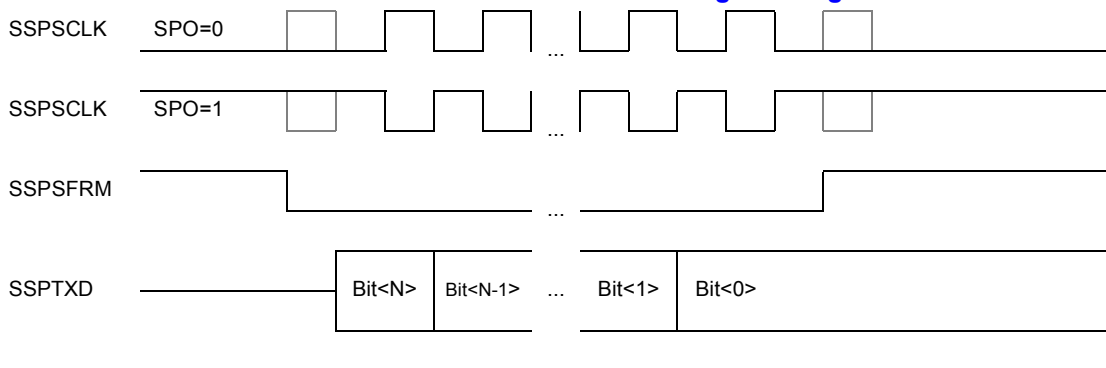
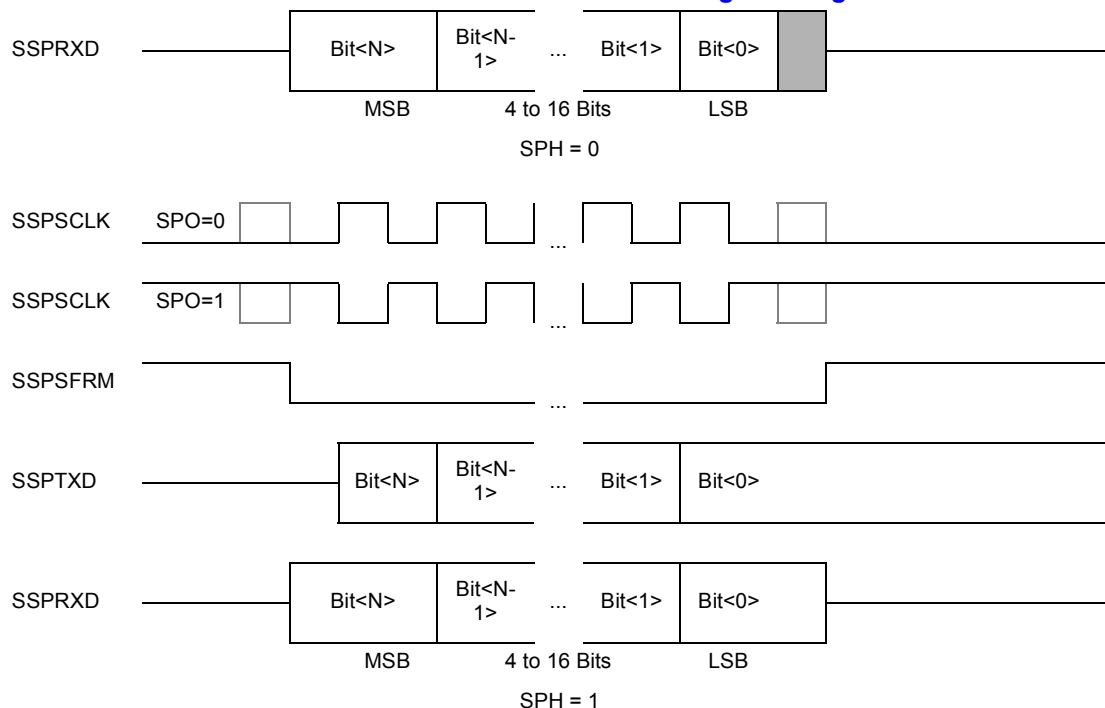


Figure 8-4. Motorola SPI* Frame Formats for SPO and SPH Programming


8.7.2.6 Microwire Transmit Data Size (MWDS)

The Microwire Transmit Data Size (MWDS) bit is used to select the 8- or 16-bit size for command word transmissions in the National Microwire frame format. When the MWDS is set to “0”, 8-bit command words are transmitted. When the MWDS is set to “1”, 16-bit command words are transmitted. The MWDS setting is ignored for all other frame formats.

8.7.2.7 Transmit FIFO Interrupt/DMA Threshold (TFT)

This 4-bit value sets the level at or below which the FIFO controller triggers a DMA service request and, if enabled, an interrupt request. Refer to [Table 8-4](#) for suggested TFT values associated with DMA servicing.

8.7.2.8 Receive FIFO Interrupt/DMA Threshold (RFT)

This 4-bit value sets the level at or above which the FIFO controller triggers a DMA service interrupt and, if enabled, an interrupt request. Refer to [Table 8-4](#) for suggested RFT values associated with DMA servicing.

Be careful not to set the RFT value too high for your system or the FIFO could overrun because of the bus latencies caused by other internal and external peripherals. This is especially the case for interrupt and polled modes that require a longer time to service.

Table 8-4. TFT and RFT Values for DMA Servicing

DMA Burst Size	TFT Value		RFT Value	
	Min	Max	Min	Max
8 Bytes	0	11	3	15
16 Bytes	0	7	7	15

This is a read/write register. Ignore reads from reserved bits. Write zeros to reserved bits.

8.7.3 SSP Data Register (SSDR)

SSDR, shown in Table 8-5, is a single address location that can be accessed by read/write data transfers. Transfers can be single transfers, 4 half-word bursts, or 8 half-word bursts.

As the system accesses the register, FIFO control logic transfers data automatically between register and FIFO as fast as the system moves data. The SSP Status Register has bits that indicate whether either FIFO is full, above/below a programmable threshold, or empty.

For transmit operations from SSPC to SSP peripheral, the CPU (using programmed I/O) may write to the SSDR when the transmit FIFO is below its threshold level.

When a data size less than 16-bits is selected, do not left-justify data before it is written to the SSDR. Transmit logic left-justifies the data and ignores any unused bits. Received data less than 16-bits is automatically right-justified in the receive FIFO.

When the SSPC is programmed for National Microwire frame format and the size for transmit data is 8-bits, as selected by the MWDS bit in the SSCR1, the most significant byte is ignored. SSCR0[DSS] controls receive data size.

Note: Both FIFOs are cleared when the SSPC is reset or a zero is written to the SSCR0[SSE] bit.

This is a read/write register. Ignore reads from reserved bits. Write zeros to reserved bits.

Table 8-5. SSDR Bit Definitions

		0x4100_0010																SSP Data Register (SSDR)																Synchronous Serial Port Controller															
Bit		31	30	29	28	27	26	25	24	23	22	21	20	19	18	17	16	15	14	13	12	11	10	9	8	7	6	5	4	3	2	1	0																
		reserved																Transmit/Receive Data																															
Reset		X																0x0000																															
	Bits	Name																Description																															
	15:0	Data (Low Word)																Data word to be written to/read from Transmit/Receive FIFO																															
	31:16	—																reserved																															

8.7.4 SSP Status Register (SSSR)

The SSP Status Register (SSSR) is shown in [Table 8-6](#). The SSSR contains bits that signal overrun errors and transmit and receive FIFO service requests. These hardware-detected events signal an interrupt request to the interrupt controller. The status register also contains flags that indicate when the SSP is actively transmitting or receiving characters, when the transmit FIFO is not full, and when the receive FIFO is not empty (no interrupt generated).

Bits that cause an interrupt will signal the request as long as the bit is set. When the bit is cleared, the interrupt is cleared. Read/write bits are called status bits, read-only bits are called flags. Status bits are referred to as sticky (once set by hardware, they must be cleared by software). Writing a 1 to a sticky status bit clears it. Writing a 0 has no effect. Read-only flags are set and cleared by hardware. Writes have no effect. Some bits that cause interrupts have corresponding mask bits in the control registers.

All bits are read-only except ROR, which is read/write. ROR's reset state is zero. Writes to TNF, RNE, BSY, TFS, and RFS have no effect. Writes to reserved bits are ignored and reads from these bits are undetermined.

Table 8-6. SSSR Bit Definitions

		0x4100_0008																SSP Status Register (SSSR)								Synchronous Serial Port Controller							
Bit		31	30	29	28	27	26	25	24	23	22	21	20	19	18	17	16	15	14	13	12	11	10	9	8	7	6	5	4	3	2	1	0
		reserved																RFL				TFL				ROR	RFS	TFS	BSY	RNE	TNF	reserved	
Reset		X																0xF				0x0				0	0	0	0	0	1	0	
Bits	Name	Description																															
1:0	—	reserved																															
2	TNF	Transmit FIFO Not Full (read only) 0 = Transmit FIFO is full 1 = Transmit FIFO is not full																															
3	RNE	Receive FIFO Not Empty (read only) 0 = Receive FIFO is empty 1 = Receive FIFO is not empty																															
4	BSY	SSP Busy (read only) 0 = SSP is idle or disabled 1 = SSP currently transmitting or receiving a frame																															
5	TFS	Transmit FIFO Service Request (read only) 0 = Transmit FIFO level exceeds TFT threshold, or SSP disabled 1 = Transmit FIFO level is at or below TFT threshold, generate interrupt or DMA request																															
6	RFS	Receive FIFO Service Request (read only) 0 = Receive FIFO level exceeds RFT threshold, or SSP disabled 1 = Receive FIFO level is at or above RFT threshold, generate interrupt or DMA request																															
7	ROR	Receive FIFO Overrun (read/write) 0 = Receive FIFO has not experienced an overrun 1 = Attempted data write to full Receive FIFO, request interrupt																															
11:8	TFL	Transmit FIFO Level (read only) Number of entries in Transmit FIFO. Note: When the value 0x0 is read, the FIFO is either empty or full and the software must refer to the TNF bit.																															
15:12	RFL	Receive FIFO Level (read only) Number of entries minus one in Receive FIFO. Note: When the value 0xF is read, the FIFO is either empty or full and the software must refer to the RNE bit.																															
31:16	—	reserved																															

8.7.4.1 Transmit FIFO Not Full Flag (TNF)

This non-interruptible bit is set whenever the transmit FIFO is not full. TNF is cleared when the FIFO is completely full. This bit can be polled when using programmed I/O to fill the transmit FIFO over its threshold level. This bit does not request an interrupt.

8.7.4.2 Receive FIFO Not Empty Flag (RNE)

This non-interruptible bit is set when the receive FIFO contains one or more entries and is cleared when the FIFO is empty. Because CPU interrupt requests are only made when the Receive FIFO Threshold has been met or exceeded, the RNE bit can be polled when programmed I/O removes remaining bytes of data from the receive FIFO. This bit does not request an interrupt.

8.7.4.3 SSP Busy Flag (BSY)

This is a non-interruptible read-only bit that is set when the SSP is actively transmitting and/or receiving data and is cleared when the SSP is idle or disabled (SSE=0). This bit does not request an interrupt. Since the software can read this bit before the SSP starts to transmit data, software must read SSSP[TFL]=0x0 and SSSP[TNF]=0b1 and SSSP[BSY]=0b0 in order to insure that all data has transmitted completely.

8.7.4.4 Transmit FIFO Service Request Flag (TFS)

This bit contains a maskable interrupt and is set when the transmit FIFO is nearly empty and requires service to prevent an underrun. TFS is set any time the transmit FIFO has the same or fewer valid data entries than indicated by the Transmit FIFO Threshold. It is cleared when it has more valid data entries than the threshold value. When the TFS bit is set, an interrupt request is made unless the transmit FIFO interrupt request enable (TIE) bit is cleared. The TFS bit's setting indicates whether a DMA service has been requested from the DMA controller. The DMA request cannot be masked by the TIE bit. After the CPU or the DMA fills the FIFO such that it exceeds the threshold, the TFS flag (and the service request and/or interrupt) is automatically cleared.

8.7.4.5 Receive FIFO Service Request Flag (RFS)

This bit contains a maskable interrupt and is set when the receive FIFO is nearly filled and requires service to prevent an overrun. RFS is set any time the receive FIFO has the same or more valid data entries than indicated by the Receive FIFO Threshold. It is cleared when it has fewer entries than the threshold value. When the RFS bit is set, an interrupt request is made unless the receive FIFO interrupt request enable (RIE) bit is cleared. The RFS bit's setting indicates that DMA service has been requested from the DMA controller. This DMA request cannot be masked by the RIE bit. After the CPU or DMA reads the FIFO such that it has fewer entries than the RFT value, the RFS flag (and the service request and/or interrupt) is automatically cleared.

8.7.4.6 Receiver Overrun Status (ROR)

This is a non-interruptible bit that is set when the receive logic attempts to place data into the receive FIFO after it has been completely filled. Each time a new piece of data is received, the set signal to the ROR bit is asserted and the newly received data is discarded. This process is repeated for each new piece of data received until at least one empty FIFO entry exists. When the ROR bit is set, an interrupt request that cannot be locally masked by any SSPC register bit is made to the CPU. The ROR bit's setting does not generate any DMA service request. Writing 0b1 to this bit resets ROR status and its interrupt request. Writing a "0" does not affect ROR status.

8.7.4.7 Transmit FIFO Level (TFL)

This bit indicates the number of entries currently in the Transmit FIFO.

8.7.4.8 Receive FIFO Level (RFL)

This bit indicates the one less than number of entries in the Receive FIFO.

This is a read/write register. Ignore reads from reserved bits. Write zeros to reserved bits.

8.8 SSP Controller Register Summary

Table 8-7 shows the SSP registers associated with the SSP controller and their physical addresses.

Table 8-7. SSP Controller Register Summary

Address	Abbreviation	Full Name
0x4100_0000	SSCR0	SSP Control Register 0
0x4100_0004	SSCR1	SSP Control Register 1
0x4100_0008	SSSR	SSP Status Register
0x4100_000C	—	reserved
0x4100_0010	SSDR (Write / Read)	SSP Data Write Register/SSP Data Read Register



This chapter describes the Inter-Integrated Circuit (I2C) bus interface unit, including the operation modes and setup for the PXA255 processor.

9.1 Overview

The I²C bus was created by the Phillips Corporation and is a serial bus with a two-pin interface. The SDA data pin is used for input and output functions and the SCL clock pin is used to control and reference the I²C bus. The I²C unit allows the processor to serve as a master and slave device that resides on the I²C bus.

The I²C unit enables the processor to communicate with I²C peripherals and microcontrollers for system management functions. The I²C bus requires a minimum amount of hardware to relay status and reliability information concerning the processor subsystem to an external device.

The I²C unit is a peripheral device that resides on the processor internal bus. Data is transmitted to and received from the I²C bus via a buffered interface. Control and status information is relayed through a set of memory-mapped registers. Refer to *The I²C-Bus Specification* for complete details on I²C bus operation.

Note: The I²C unit does not support the hardware general call, 10-bit addressing, or CBUS compatibility.

9.2 Signal Description

The I²C unit signals are SDA and SCL. [Table 9-1](#) describes each signal's function.

Table 9-1. I²C Signal Description

Signal Name	Input/Output	Description
SDA	Bidirectional	I ² C Serial Data/Address signal
SCL	Bidirectional	I ² C Serial Clock Line signal

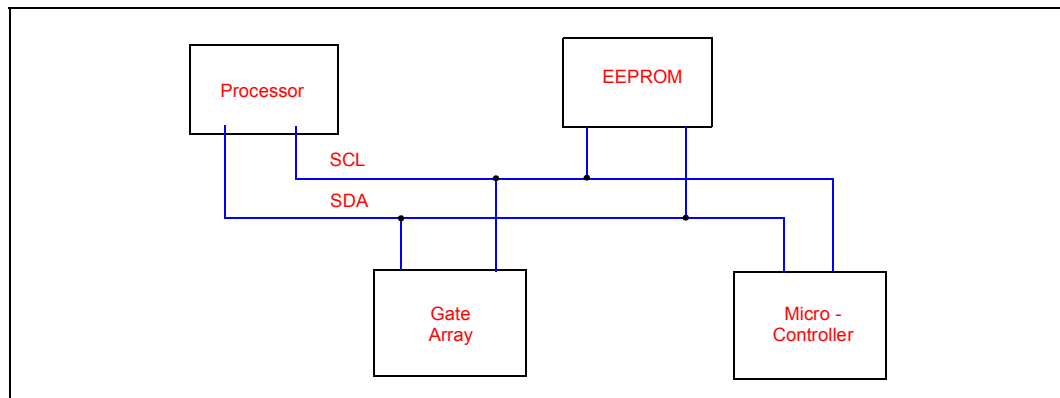
9.3 Functional Description

The I²C bus defines a serial protocol for passing information between agents on the I²C bus using a two pin interface that consists of a Serial Data/Address (SDA) line and a Serial Clock Line (SCL). Each device on the I²C bus is recognized by a unique 7-bit address and can operate as a transmitter or as a receiver in master or slave mode. [Table 9-2](#) lists the I²C operation modes.

Table 9-2. I²C Bus Definitions

I ² C Device	Definition
Transmitter	Sends data to the I ² C bus.
Receiver	Receives data from the I ² C bus.
Master	Initiates a transfer, generates the clock signal, and terminates the transactions.
Slave	Device addressed by a master.
Multi-master	More than one master can attempt to control the bus at the same time without corrupting the message.
Arbitration	Ensures that only one master controls the bus when more than one master simultaneously tries to control the bus. This ensures that messages are not corrupted.

For example, when the processor I²C unit acts as a master on the bus, it addresses an EEPROM as a slave to receive data (see Figure 9-1). When the I²C unit is addressing the EEPROM, it is a master-transmitter and the EEPROM is a slave-receiver. When the I²C reads data, it is a master-receiver and the EEPROM is a slave-transmitter. Whether it is a transmitter or receiver, the master generates the clock, initiates the transaction, and terminates the transaction.

Figure 9-1. I²C Bus Configuration Example

The I²C bus allows for a multi-master system, which means more than one device can initiate data transfers at the same time. To support this feature, the I²C bus arbitration relies on the wired-AND connection of all I²C interfaces to the I²C bus. Two masters can drive the bus simultaneously, provided they drive identical data. If a master tries to drive SDA high while another master drives SDA low, it loses the arbitration. The SCL line is a synchronized combination of clocks generated by the masters using the wired-AND connection to the SCL line.

The I²C bus serial operation uses an open-drain wired-AND bus structure, which allows multiple devices to drive the bus lines and to communicate status about events such as arbitration, wait states, error conditions, etc. For example, when a master drives the clock (SCL) line during a data transfer, it transfers a bit on every instance that the clock is high. When the slave is unable to accept or drive data at the rate that the master is requesting, the slave can hold the clock line low between the high states to insert a wait interval. The master's clock can only be altered by another master during arbitration or a slow slave peripheral that keeps the clock line low.

I²C transactions are either initiated by the processor as a master or received by the processor as a slave. Both conditions may result in reads, writes, or both to the I²C bus.

9.3.1 Operational Blocks

The I²C unit is connected to the peripheral bus. The processor interrupt mechanism can be used to notify the CPU that there is activity on the I²C bus. Polling can be used instead of interrupts. The I²C unit consists of the two wire interface to the I²C bus, an 8-bit buffer for passing data to and from the processor, a set of control and status registers, and a shift register for parallel/serial conversions.

The I²C unit initiates an interrupt to the processor when a buffer is full, a buffer is empty, the I²C unit slave address is detected, arbitration is lost, or a bus error condition occurs. All interrupt conditions must be cleared explicitly by software. See [Section 9.9.4](#) for details.

The 8-bit I²C Data Buffer Register (IDBR) is loaded with a byte of data from the shift register interface to the I²C bus when receiving data and from the processor internal bus when writing data. The serial shift register is not user accessible.

The I²C Control Register (ICR) and the I²C Status Register (ISR) are located in the I²C memory-mapped address space. The registers and their functions are defined in [Section 9.9](#).

The I²C unit supports a fast mode operation of 400 Kbits/sec and a standard mode of 100 Kbits/sec. Refer to *The I²C-Bus Specification* for details.

9.3.2 I²C Bus Interface Modes

The I²C unit can accomplish a transfer in different operation modes. [Table 9-3](#) summarizes the different modes.

Table 9-3. Modes of Operation

Mode	Description
Master - Transmit	<ul style="list-style-type: none"> • I²C unit acts as a master. • Used for a write operation. • I²C unit sends the data. • I²C unit is responsible for clocking. • Slave device in slave-receive mode
Master - Receive	<ul style="list-style-type: none"> • I²C unit acts as a master. • Used for a read operation. • I²C unit receives the data. • I²C unit is responsible for clocking. • Slave device in slave-transmit mode
Slave - Transmit	<ul style="list-style-type: none"> • I²C unit acts as a slave. • Used for a master read operation. • I²C unit sends the data. • Master device in master-receive mode.
Slave - Receive (default)	<ul style="list-style-type: none"> • I²C unit acts as a slave. • Used for a master write operation. • I²C unit receives the data. • Master device in master-transmit mode.

While the I²C unit is idle, it defaults to slave-receive mode. This allows the interface to monitor the bus and receive any slave addresses intended for the processor.

When the I²C unit receives an address that matches the 7-bit address found in the I²C Slave Address Register (ISAR) or the general call address (see [Section 9.4.8](#)), the interface either remains in slave-receive mode or transitions to slave-transmit mode. The Read/Write bit (R/nW) determines which mode the interface enters. The R/nW bit is the least significant bit of the byte containing the slave address. If the R/nW bit is low, the master that initiated the transaction intends write data and the I²C unit remains in slave-receive mode. If the R/nW is high, the master that initiated the transaction intends to read data and the I²C unit transitions to slave-transmit mode. [Section 9.4.7](#) further defines slave operation.

When the I²C unit initiates a read or write on the I²C bus, it transitions from the default slave-receive mode to the master-transmit mode. If the transaction is a write, the I²C unit remains in master-transmit mode after the address transfer is completed. If the transaction is a read, the I²C unit transmits the start address, then transitions to master-receive mode. [Section 9.4.6](#) further defines master operation.

9.3.3 Start and Stop Bus States

The I²C bus specification defines a transaction START, used at the beginning of a transfer, and a transaction STOP bus state, used at the end of a transfer. A START condition occurs if a high to low transition takes place on the SDA line when SCL is high. A STOP condition occurs if a low to high transition takes place on the SDA line when SCL is high.

The I²C unit uses the ICR[START] and ICR[STOP] bits to:

- Initiate an additional byte transfer
- Initiate a START condition on the I²C bus
- Enable Data Chaining (repeated START)
- Initiate a STOP condition on the I²C bus

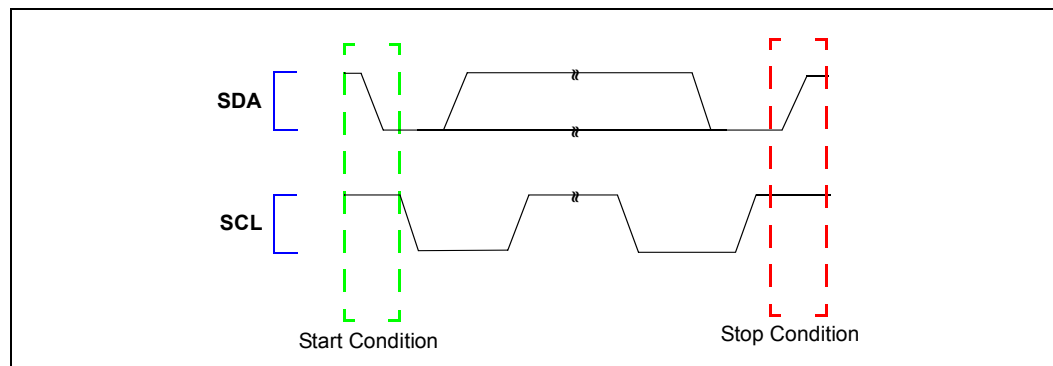
[Table 9-4](#) defines the START and STOP bits in the ICR.

Table 9-4. START and STOP Bit Definitions

STOP bit	START bit	Condition	Notes
0	0	No START or STOP	I ² C unit sends a no START or STOP condition. Used when multiple data bytes need to be transferred.
0	1	START Condition and Repeated START	I ² C unit sends a START condition and transmit the 8-bit IDBR's contents. The IDBR must contain the 7-bit address and the R/nW bit before a START is initiated. For a Repeated Start, the IDBR contains the target slave address and the R/nW bit. This allows a master to make multiple transfers to different slaves without giving up the bus. The interface stays in master-transmit mode for writes and transitions to master-receive mode for reads.
1	X	STOP Condition	In master-transmit mode, the I ² C unit transmits the 8-bit IDBR and sends a STOP condition on the I ² C bus. In master-receive mode, the ICR[ACKNAK] must be changed to a negative ACK (see Section 9.4.3). The I ² C unit transmits the NAK bit, receives the data byte in the IDBR, and sends a STOP condition on the I ² C bus.

Figure 9-2 shows the relationship between the SDA and SCL lines for START and STOP conditions.

Figure 9-2. Start and Stop Conditions



9.3.3.1 START Condition

The START condition ($ICR[START]=1$, $ICR[STOP]=0$) initiates a master transaction or repeated START. Before it sets the START ICR bit, software must load the target slave address and the R/nW bit in the IDBR (see Section 9.9.2). The START and the IDBR contents are transmitted on the I²C bus after the ICR[TB] bit is set. The I²C bus stays in master-transmit mode for write requests and enters master-receive mode for read requests. For a repeated start, a change in read or write, or a change in the target slave address, the IDBR contains the updated target slave address and the R/nW bit. A repeated start enables a master to make multiple transfers to different slaves without surrendering the bus.

The START condition is not cleared by the I²C unit. If the I²C loses arbitration while initiating a START, it may re-attempt the START when the bus is freed. See Section 9.4.5 for details on how the I²C unit functions in those circumstances.

9.3.3.2 No START or STOP Condition

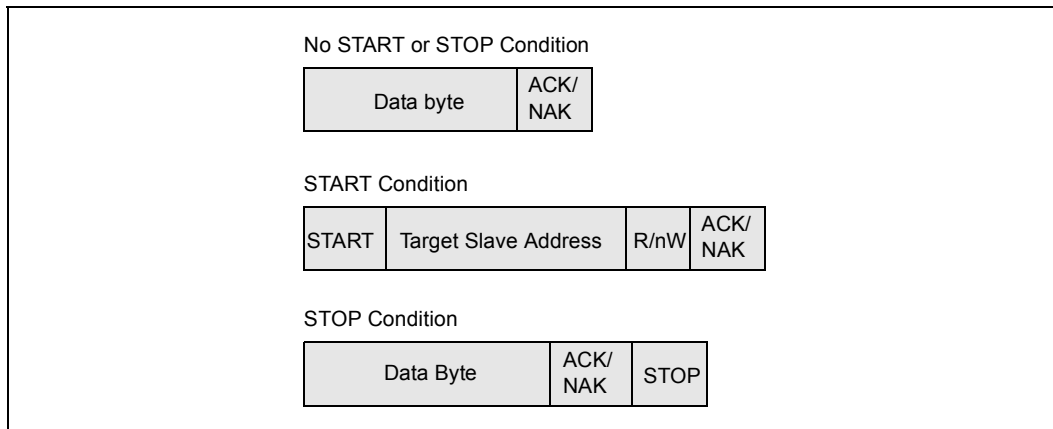
The no START or STOP condition ($ICR[START]=0$, $ICR[STOP]=0$) is used in master-transmit mode while the I²C unit is transmitting multiple data bytes (see Figure 9-2). Software writes the data byte and the I²C unit sets the ISR[ITE] bit and clears the ICR[TB] bit. The software then writes a new byte to the IDBR and sets the ICR[TB] bit, which initiates the new byte transmission. This process continues until the software sets the ICR[START] or ICR[STOP] bit. The ICR[START] and ICR[STOP] bits are not automatically cleared by the I²C unit after the transmission of a START, STOP, or repeated START.

After each byte transfer, including the ICR[ACKNAK] bit, the I²C unit holds the SCL line low to insert wait states until the ICR[TB] bit is set. This action notifies the I²C unit to release the SCL line and allow the next information transfer to proceed.

9.3.3.3 STOP Condition

The STOP condition ($ICR[START]=X$, $ICR[STOP]=1$) terminates a data transfer. In master-transmit mode, the ICR[STOP] bit and the ICR[TB] bit must be set to initiate the last byte transfer (see Figure 9-2). In master-receive mode, the I²C unit must set the ICR[ACKNAK] bit, the ICR[STOP] bit, and the ICR[TB] bit to initiate the last transfer. Software must clear the ICR[STOP] condition after it is transmitted.

Figure 9-3. START and STOP Conditions



9.4 I²C Bus Operation

The I²C unit transfers data in 1-byte increments and always follows this sequence:

- 1) START
- 2) 7-bit Slave Address
- 3) R/nW Bit
- 4) Acknowledge Pulse
- 5) 8 Bits of Data
- 6) ACK/NAK Pulse
- 7) Repeat of Steps 5 and 6 for required number of bytes
- 8) Repeated START (Repeat Step 1) or STOP

9.4.1 Serial Clock Line (SCL) Generation

When the I²C unit is in master-transmit or master-receive mode, it generates the I²C clock output. The SCL clock is generated by setting the ICR[FM] bit for either 100Kbit/sec or 400Kbit/sec operation.

9.4.2 Data and Addressing Management

The I²C Data Buffer Register (IDBR) and the I²C Slave Address Register (ISAR) manage data and slave addressing. The IDBR (see [Section 9.9.2](#)) contains one byte of data or a 7-bit slave address and the R/nW bit. The ISAR contains the processor programmable slave address. The I²C unit puts received data in the IDBR after a full byte is received and acknowledged. To transmit data, the CPU writes to the IDBR, and the I²C unit passes the information to the serial bus when the ICR[TB] bit is set. See [Section 9.9.3](#).

When the I²C unit is in master- or slave-transmit mode:

1. Software writes data to the IDBR over the internal bus. This initiates a master transaction or sends the next data byte after the ISR[ITE] bit is set.
2. I²C unit transmits data from the IDBR when the ICR[TB] bit is set.
3. When enabled, an IDBR transmit empty interrupt is signalled when a byte is transferred on the I²C bus and the acknowledge cycle is complete.
4. When the I²C unit is ready to transfer the next byte before the CPU has written the IDBR and a STOP condition is not in place, the I²C unit inserts wait states until the CPU writes a new value into the IDBR and sets the ICR[TB] bit.

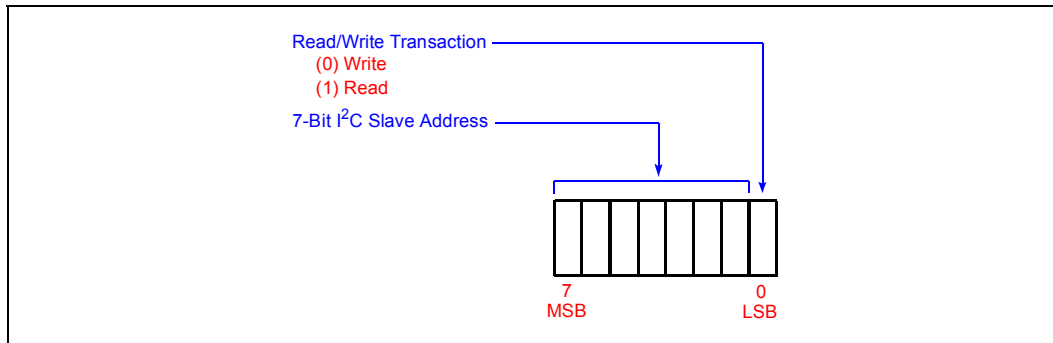
When the I²C unit is in master- or slave-receive mode:

1. The processor reads IDBR data over the internal bus after the IDBR receive full interrupt is signalled.
2. I²C unit transfers data from the shift register to the IDBR after the acknowledge cycle completes.
3. I²C unit inserts wait states until the IDBR is read. Refer to [Section 9.4.3](#) for acknowledge pulse information in receiver mode.
4. After the CPU reads the IDBR, the I²C unit writes the ICR[ACKNAK] bit and the ICR[TB] bit, allowing the next byte transfer to proceed.

9.4.2.1 Addressing a Slave Device

As a master device, the I²C unit must compose and send the first byte of a transaction. This byte consists of the slave address for the intended device and a R/nW bit for transaction definition. The MSB is transmitted first. The slave address and the R/nW bit are written to the IDBR (see Figure 9-4).

Figure 9-4. Data Format of First Byte in Master Transaction



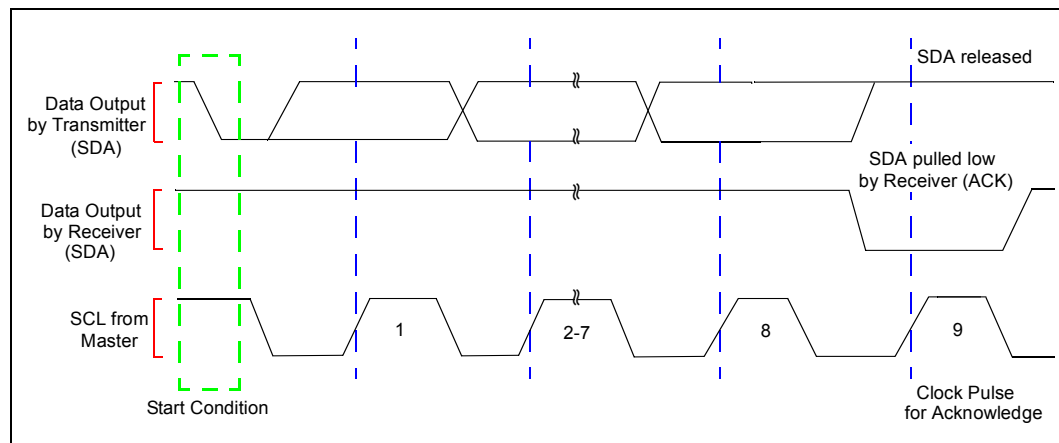
The first byte transmission must be followed by an ACK pulse from the addressed slave. When the transaction is a write, the I²C unit remains in master-transmit mode and the addressed slave device stays in slave-receive mode. When the transaction is a read, the I²C unit transitions to master-receive mode immediately following the ACK and the addressed slave device transitions to slave-transmit mode. When a NAK is returned, the I²C unit aborts the transaction by automatically sending a STOP and setting the ISR[BED] bit.

When the I²C unit is enabled and idle, it remains in slave-receive mode and monitors the I²C bus for a START signal. When it detects a START pulse, the I²C unit reads the first seven bits and compares them to those in the ISAR and the general call address (0x00). When the bits match those in the ISAR register, the I²C unit reads the eighth bit (R/nW bit) and transmits an ACK pulse. The I²C unit either remains in slave-receive mode (R/nW = 0) or transitions to slave-transmit mode (R/nW = 1). See Section 9.4.8 for actions when a general call address is detected.

9.4.3 I²C Acknowledge

Every I²C byte transfer must be accompanied by an acknowledge pulse that the master- or slave-receiver must generate. The transmitter must release the SDA line for the receiver to transmit the acknowledge pulse (see Figure 9-5).

Figure 9-5. Acknowledge on the I²C Bus



In master-transmit mode, if the target slave-receiver device cannot generate the acknowledge pulse, the SDA line remains high. The lack of an acknowledge NAK causes the I²C unit to set the ISR[BED] bit and generate the associated interrupt when enabled. The I²C unit automatically generates a STOP condition and aborts the transaction.

In master-receive mode, the I²C unit sends a negative acknowledge (NAK) to signal the slave-transmitter to stop sending data. The ICR[ACKNAK] bit controls the ACK/NAK bit value that the I²C bus drives. As required by the I²C bus protocol, the ISR[BED] bit is not set for a master-receive mode NAK. The I²C unit automatically transmits the ACK pulse after it receives each byte from the serial bus. Before the unit receives the last byte, software must set the ICR[ACKNAK] bit to 1 (NAK). The NAK pulse is sent after the last byte to indicate that the last byte has been sent.

In slave mode, the I²C unit automatically acknowledges its own slave address, independent of the value in the ICR[ACKNAK] bit. In slave-receive mode, an ACK response automatically follows a data byte, independent of the value in the ICR[ACKNAK] bit. The I²C unit sends the ACK value after it receives the eighth data bit in a byte.

In slave-transmit mode, the I²C unit receives a NAK from the master to indicate the last byte has been transferred. The master then sends a STOP or repeated START. The ISR[UB] bit remains set until a STOP or repeated START is received.

9.4.4 Polling

To poll devices on the bus, the processor needs to send just the address byte over the I2C (i.e. no data is read or written after sending the address). Polling requires the address to be loaded in the ISAR and both start and stop bits set at the same time in the ICR. After this is finished, the I2C must do a dummy read to ensure the proper behavior.

9.4.5 Arbitration

The I²C bus' multi-master capabilities require I²C bus arbitration. Arbitration takes place when two or more masters generate a START condition in the minimum hold time.

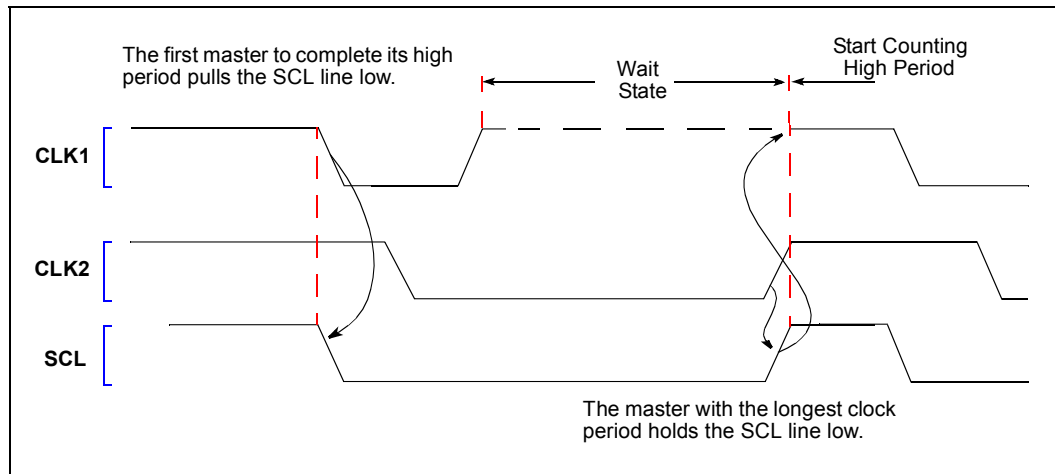
Arbitration can take a long time. If the address bit and the R/nW are the same, the arbitration scheme considers the data. Because the I²C bus has a wired-AND nature, a transfer does not lose data if multiple masters signal the same bus states. If the address and the R/nW bit or the data they contain are different, the master signals a high state loses arbitration and shuts off its data drivers. If the I²C unit loses arbitration, it shuts off the SDA or SCL drivers for the rest of the byte transfer, sets the ISR[ALD] bit, and returns to slave-receive mode.

9.4.5.1 SCL Arbitration

Each master on the I²C bus generates its own clock on the SCL line for data transfers. As a result, clocks with different frequencies may be connected to the SCL line. Because data is valid when a clock is in the high period, bit-by-bit arbitration requires a defined clock synchronization procedure.

Clock synchronization is through the wired-AND connection of the I²C interfaces to the SCL line. When a master's clock changes from high to low, the master holds down the SCL line for its associated period (see Figure 9-6). A clock cannot switch from low to high if another master has not completed its period. The master with the longest low period holds down the SCL line. Masters with shorter periods are held in a high wait-state until the master with the longest period completes. After the master with the longest period completes, the SCL line changes to the high state and masters with the shorter periods continue the data cycle.

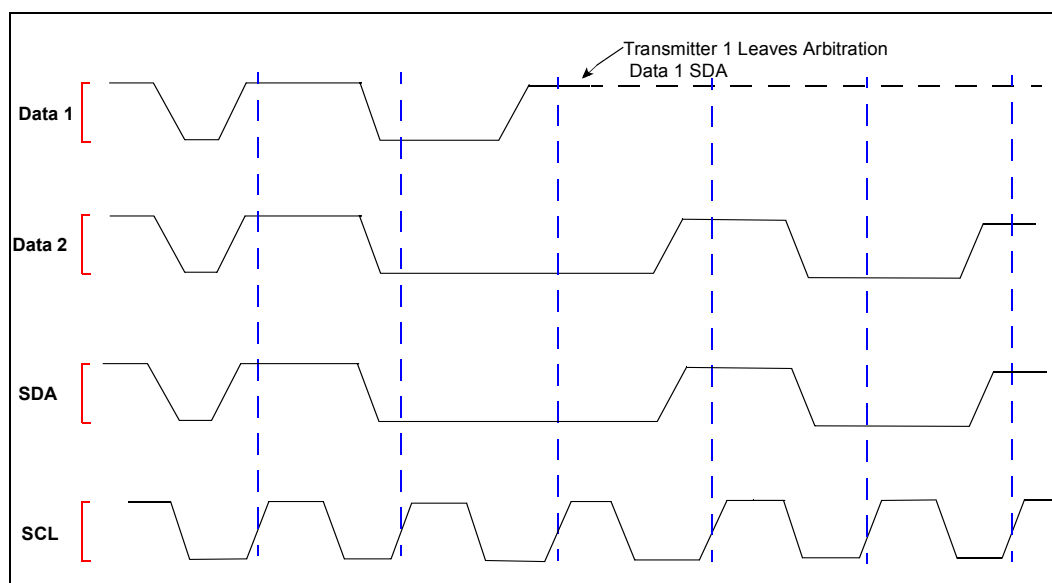
Figure 9-6. Clock Synchronization During the Arbitration Procedure



9.4.5.2 SDA Arbitration

Arbitration on the SDA line can continue for a long time because it starts with the address and R/nW bits and continues through the data bits. Figure 9-7 shows the arbitration procedure for two masters. More than two masters may be involved if more than two masters are connected to the bus. If the address bit and the R/nW are the same, the arbitration scheme considers the data. Because the I²C bus has a wired-AND nature, a transfer does not lose data if multiple masters signal the same bus states. If the address and the R/nW bit or the data they contain are different, the master that sent the first low data bit loses arbitration and shuts off its data drivers. If the I²C unit loses arbitration, it shuts off the SDA or SCL drivers for the rest of the byte transfer, sets the ISR[ALD] bit, and returns to slave-receive mode.

Figure 9-7. Arbitration Procedure of Two Masters



If the I²C unit loses arbitration as the address bits are transferred and it is not addressed by the address bits, the I²C unit resends the address when the I²C bus becomes free. A resend is possible because the IDBR and ICR registers are not overwritten when arbitration is lost.

If the I²C unit loses arbitration because another bus master addresses the processor as a slave device, the I²C unit switches to slave-receive mode and overwrites the original data in the I²C data buffer register. Software can clear the start and re-initiate the master transaction.

Note: Software must prevent the I²C unit from starting a transaction to its own slave address because such a transaction puts the I²C unit in an indeterminate state.

Arbitration has boundary conditions in case an arbitration process is interrupted by a repeated START or STOP condition transmitted on the I²C bus. To prevent errors, the I²C unit acts as a master if no arbitration takes place in the following circumstances:

- Between a repeated START condition and a data bit
- Between a data bit and a STOP condition
- Between a repeated START condition and a STOP condition

These situations occur if different masters write identical data to the same target slave simultaneously and arbitration cannot be resolved after the first data byte transfer.

Note: Software ensures that arbitration is resolved quickly. For example, software can ensure that masters send unique data by requiring that each master transmit its I²C address as the first data byte of any transaction. When arbitration is resolved, the winning master sends a restart and begins a valid data transfer. The slave discards the master's address and use the other data.

9.4.6 Master Operations

When software initiates a read or write on the I²C bus, the I²C unit transitions from the default slave-receive mode to master-transmit mode. The 7-bit slave address and the R/nW bit follow the start pulse. After the master receives an acknowledge, the I²C unit enters one of two master modes:

- Master-Transmit — I²C unit writes data
- Master-Receive — I²C unit reads data

The CPU writes to the ICR register to initiate a master transaction. Data is read and written from the I²C unit through the memory-mapped registers. [Table 9-5](#) describes the I²C unit's responsibilities as a master device.

Table 9-5. Master Transactions (Sheet 1 of 2)

I ² C Master Action	Mode of Operation	Definition
Generate clock output	Master-transmit Master-receive	<ul style="list-style-type: none"> • Master drives the SCL line. • ICR[SCLE] bit must be set. • ICR[IUE] bit must be set.
Write target slave address to IDBR	Master-transmit Master-receive	<ul style="list-style-type: none"> • CPU writes to IDBR bits 7-1 before a START condition enabled. • First seven bits sent on bus after START. • See Section 9.3.3.
Write R/nW Bit to IDBR	Master-transmit Master-receive	<ul style="list-style-type: none"> • CPU writes to least significant IDBR bit with target slave address. • If low, master remains a master-transmitter. If high, master transitions to a master-receiver. • See Section 9.4.2.
Signal START Condition	Master-transmit Master-receive	<ul style="list-style-type: none"> • See "Generate clock output" above. • Performed after target slave address and R/nW bit are in IDBR. • Software sets ICR[START] bit. • Software sets ICR[TB] bit to initiate start condition. • See Section 9.3.3.
Initiate first data byte transfer	Master-transmit Master-receive	<ul style="list-style-type: none"> • CPU writes byte to IDBR • I²C unit transmits byte when ICR[TB] bit is set. • I²C unit clears ICR[TB] bit and sets ISR[ITE] bit when transfer is complete.
Arbitrate for I ² C Bus	Master-transmit Master-receive	<ul style="list-style-type: none"> • If two or more masters signal a start within the same clock period, arbitration must occur. • I²C unit arbitrates for as long as needed. Arbitration takes place during slave address and R/nW bit or data transmission and continues until all but one master loses the bus. No data lost. • If I²C unit loses arbitration, it sets ISR[ALD] bit after byte transfer is completed and transitions to slave-receive mode. • If I²C unit loses arbitration as it attempts to send target address byte, I²C unit attempts to resend it when the bus becomes free. • System designer must ensure boundary conditions described in Section 9.4 do not occur.

Table 9-5. Master Transactions (Sheet 2 of 2)

I²C Master Action	Mode of Operation	Definition
Write one data byte to the IDBR	Master-transmit only	<ul style="list-style-type: none"> I²C master operation data transmit mode. Occurs when the ISR[ITE] bit is set and the ICR[TB] bit is clear. If the IDBR Transmit Empty Interrupt is enabled, it is signalled to the processor. CPU writes one data byte to the IDBR, sets the appropriate START/STOP bit combination, and sets the ICR[TB] bit to send the data. Eight bits are taken from the shift register and written to the serial bus. The eight bits are followed by a STOP, if requested.
Wait for Acknowledge from slave-receiver	Master-transmit only	<ul style="list-style-type: none"> As a master-transmitter, the I²C unit generates the clock for the acknowledge pulse. The I²C unit releases the SDA line to allow slave-receiver ACK transmission. See Section 9.4.3.
Read one byte of I ² C Data from the IDBR	Master-receive only	<ul style="list-style-type: none"> I²C master operation data receive mode. Eight bits are read from the serial bus, collected in the shift register then transferred to the IDBR after the ICR[ACKNAK] bit is read. The CPU reads the IDBR when the ISR[IRF] bit is set and the ICR[TB] bit is clear. If IDBR Receive Full Interrupt is enabled, it is signalled to the CPU. When the IDBR is read, if the ISR[ACKNAK] is clear (indicating ACK), the processor writes the ICR[ACKNAK] bit and set the ICR[TB] bit to initiate the next byte read. If the ISR[ACKNAK] bit is set (indicating NAK), ICR[TB] bit is clear, ICR[STOP] bit is set, and ISR[UB] bit is set, then the last data byte has been read into the IDBR and the I²C unit is sending the STOP. If the ISR[ACKNAK] bit is set (indicating NAK), ICR[TB] bit is clear, but the ICR[STOP] bit is clear, then the CPU has two options: 1. set the ICR[START] bit, write a new target address to the IDBR, and set the ICR[TB] bit which will send a repeated start condition or 2. set the ICR[MA] bit and leave the ICR[TB] bit clear which will send a STOP only.
Transmit Acknowledge to slave-transmitter	Master-receive only	<ul style="list-style-type: none"> As a master-receiver, the I²C unit will generate the clock for the acknowledge pulse. The I²C unit is also responsible for driving the SDA line during the ACK cycle. If the next data byte is to be the last transaction, the CPU will set the ICR[ACKNAK] bit for NAK generation. See Section 9.4.3.
Generate a Repeated START to chain I ² C transactions	Master-transmit Master-receive	<ul style="list-style-type: none"> If data chaining is desired, a repeated START condition is used instead of a STOP condition. This occurs after the last data byte of a transaction has been written to the bus. The CPU will write the next target slave address and the R/nW bit to the IDBR, set the ICR[START] bit, and set the ICR[TB] bit. See Section 9.3.3.
Generate a STOP	Master-transmit Master-receive	<ul style="list-style-type: none"> Generated after the CPU writes the last data byte on the bus. CPU generates a STOP condition by setting the ICR[STOP] bit. See Section 9.3.3.

When the CPU needs to read data, the I²C unit transitions from slave-receive mode to master-transmit mode to transmit the start address, R/nW bit, and the ACK pulse. After it sends the ACK pulse, the I²C unit transitions to master-receive mode and waits to receive the read data from the slave device (see [Figure 9-8](#)). Multiple transactions can take place during an I²C operation. For example, transitioning from master-receive to master-transmit through a repeated start.

Figure 9-8. Master-Receiver Read from Slave-Transmitter

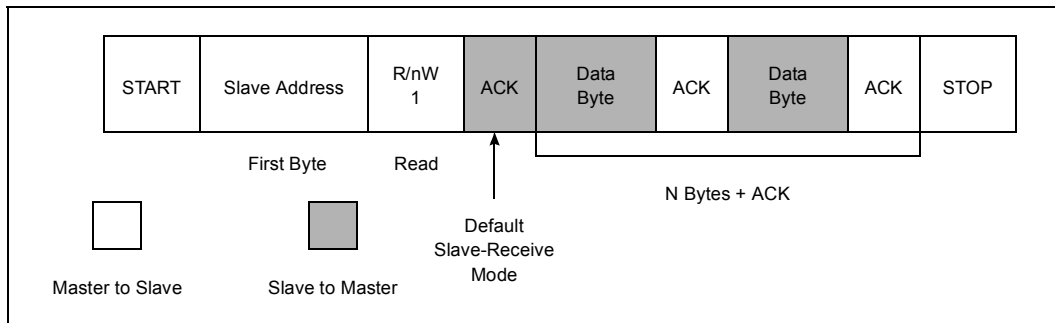


Figure 9-9. Master-Receiver Read from Slave-Transmitter / Repeated Start / Master-Transmitter Write to Slave-Receiver

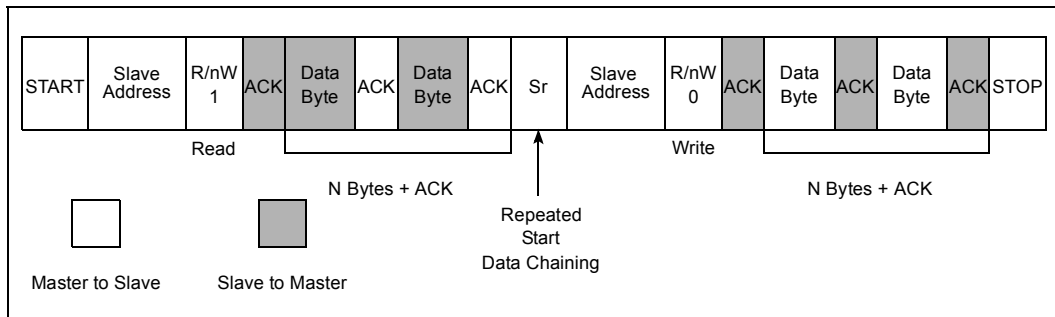
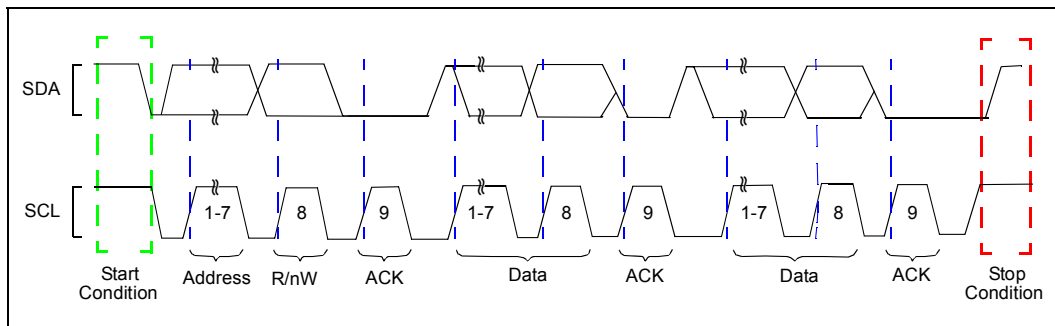


Figure 9-10. A Complete Data Transfer



9.4.7 Slave Operations

Table 9-6 describes how the I²C unit operates as a slave device.

Table 9-6. Slave Transactions

I²C Slave Action	Mode of Operation	Definition
Slave-receive (default mode)	Slave-receive only	<ul style="list-style-type: none"> • I²C unit monitors all slave address transactions. • ICR[IUE] bit must be set. • I²C unit monitors bus for START conditions. When a START is detected, the interface reads the first 8 bits and compares the most significant seven bits with the 7-bit ISAR and the general call address (0x00). If there is a match, the I²C unit sends an ACK. • If the first 8 bits are zero's, this is a general call address. If the ICR[GCD] bit is clear, both the ISR[GCAD] bit and the ISR[SAD] bit will be set. See Section 9.4.8. • If the eighth bit of the first byte (R/nW bit) is low, the I²C unit stays in slave-receive mode and the ISR[SAD] bit is cleared. If R/nW bit is high, I²C unit switches to slave-transmit and ISR[SAD] bit is set.
Setting the Slave Address Detected bit	Slave-receive Slave-transmit	<ul style="list-style-type: none"> • Indicates the interface has detected an I²C operation that addresses the processor including the general call address. The processor can distinguish an ISAR match from a General Call by reading the ISR[GCAD] bit. • An interrupt is signalled, if enabled, after the matching slave address is received and acknowledged.
Read one byte of I ² C Data from the IDBR	Slave-receive only	<ul style="list-style-type: none"> • Data receive mode of I²C slave operation. • Eight bits are read from the serial bus into the shift register. When a full byte is received and the ACK/NAK bit is completed, the byte is transferred from the shift register to the IDBR. • Occurs when the ISR[IRF] bit is set and the ICR[TB] bit is clear. If enabled, the IDBR Receive Full Interrupt is signalled to the CPU. • Software reads one data byte from the IDBR. When the IDBR is read, the processor writes the desired ICR[ACKNAK] bit and sets the ICR[TB] bit. This causes the I²C unit to stop inserting wait states and let the master transmitter write the next piece of information.
Transmit Acknowledge to master-transmitter	Slave-receive only	<ul style="list-style-type: none"> • As a slave-receiver, the I²C unit pulls the SDA line low to generate the ACK pulse during the high SCL period. • ICR[ACKNAK] bit controls the ACK data the I²C unit drives. See Section 9.4.3.
Write one byte of I ² C data to the IDBR	Slave-transmit only	<ul style="list-style-type: none"> • Data transmit mode of I²C slave operation. • Occurs when ISR[ITE] bit is set and ICR[TB] bit is clear. If enabled, the IDBR Transmit Empty Interrupt is signalled to the processor. • The processor writes a data byte to IDBR and sets ICR[TB] bit to start the transfer.
Wait for Acknowledge from master-receiver	Slave-transmit only	<ul style="list-style-type: none"> • As a slave-transmitter, the I²C unit releases the SDA line to allow the master-receiver to pull the line low for the ACK. • See Section 9.4.3.

Figure 9-11 through Figure 9-13 are examples of I²C transactions and show the relationships between master and slave devices.

Figure 9-11. Master-Transmitter Write to Slave-Receiver

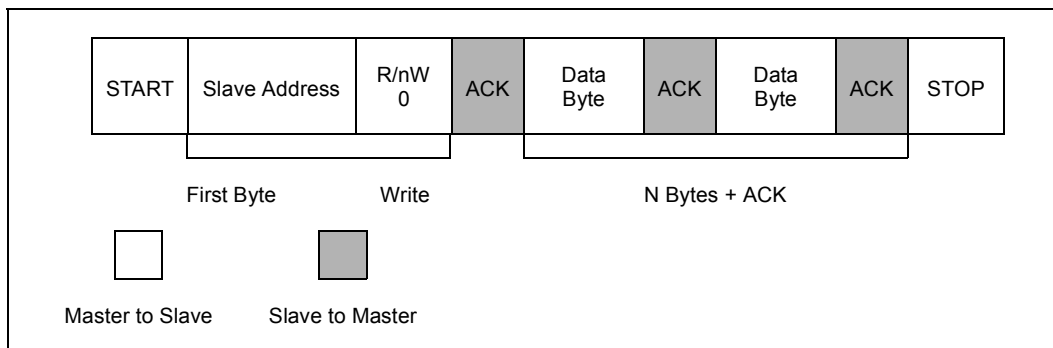


Figure 9-12. Master-Receiver Read to Slave-Transmitter

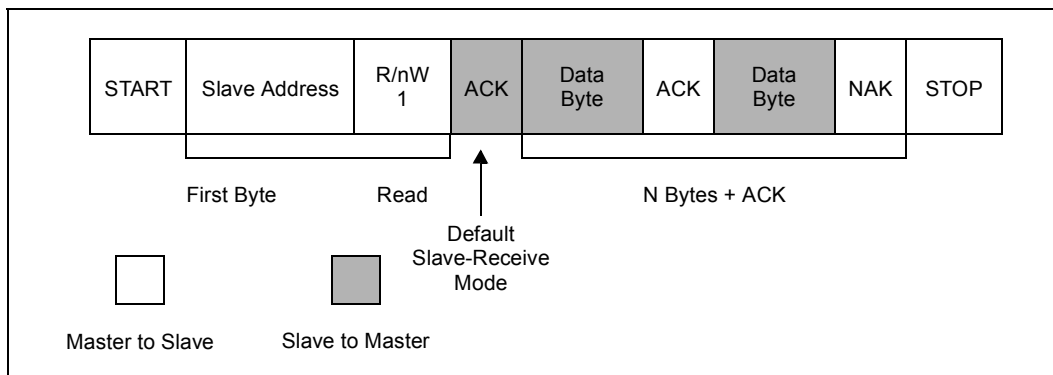
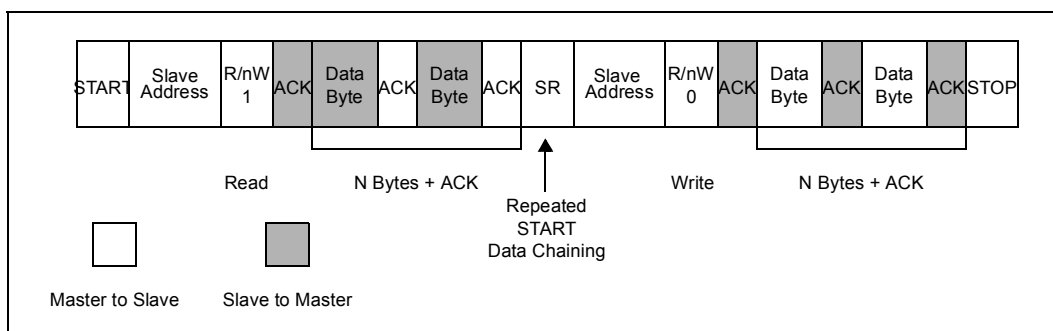


Figure 9-13. Master-Receiver Read to Slave-Transmitter, Repeated START, Master-Transmitter Write to Slave-Receiver



9.4.8 General Call Address

A general call address is a transaction with a slave address of 0x00. When a device requires the data from a general call address, it acknowledges the transaction and stays in slave-receiver mode. Otherwise, the device ignores the general call address. The other bytes in a general call transaction are acknowledged by every device that uses it on the bus. Devices that do not use these bytes must not send an ACK. The meaning of a general call address is defined in the second byte sent by the master-transmitter. Figure 9-14 shows a general call address transaction. The least significant bit of the second byte, called B, defines the transaction. Table 9-7 shows the valid values and definitions when B=0.

The I²C unit supports sending and receiving general call address transfers on the I²C bus. When software sends a general call message from the I²C unit, it must set the ICR[GCD] bit to prevent the I²C unit from responding as a slave. If the ICR[GCD] is not set, the I²C bus enters an indeterminate state.

If the I²C unit acts as a slave and receives a general call address while the ICR[GCD] bit is clear, it:

- Sets the ISR[GCAD] bit
- Sets the ISR[SAD] bit
- Interrupts the processor (if the interrupt is enabled)

If the I²C unit receives a general call address and the ICR[GCD] bit is set, it ignores the general call address.

Figure 9-14. General Call Address

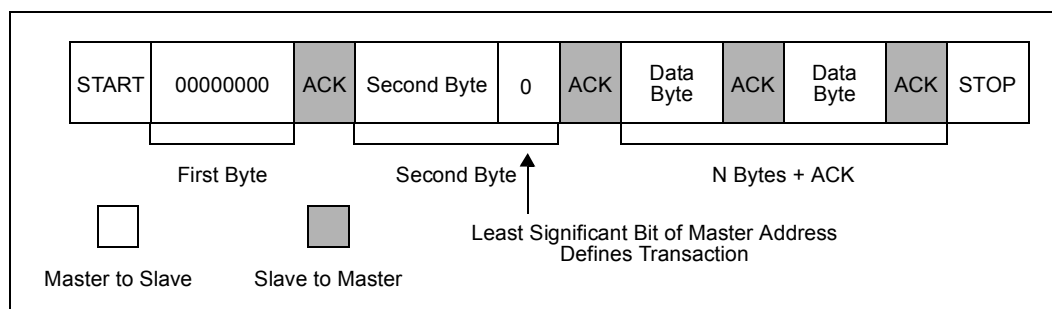


Table 9-7. General Call Address Second Byte Definitions

Least Significant Bit of Second Byte (B)	Second Byte Value	Definition
0	0x06	2-byte transaction in which the second byte tells the slave to reset and store this value in the programmable part of its address.
0	0x04	2-byte transaction in which the second byte tells the slave to store this value in the programmable part of its address. No reset.
0	0x00	Not allowed as a second byte
NOTE: Other values are not fixed and must be ignored.		

Software must ensure that the I²C unit is not busy before it asserts a reset. Software must also ensure that the I²C bus is idle when the unit is enabled after reset. When directed to reset, the I²C unit, except for ISAR, returns to the default reset condition. ISAR is not affected by a reset.

When B=1, the sequence is a hardware general call and is not supported by the I²C unit. Refer to the *The I²C-Bus Specification* for information on hardware general calls.

I²C 10-bit addresses and CBUS compatibility are not supported.

9.5 Slave Mode Programming Examples

9.5.1 Initialize Unit

1. Set the slave address in the ISAR.
2. Enable desired interrupts in the ICR.
3. Set the ICR[IUE] bit to enable the I²C unit.

9.5.2 Write *n* Bytes as a Slave

1. When a Slave Address Detected interrupt occurs.
Read ISR: Slave Address Detected (1), Unit Busy (1), R/nW bit (1), ACK/NAK (0)
2. Write a 1 to the ISR[SAD] bit to clear the interrupt.
3. Return from interrupt.
4. Load data byte to transfer in the IDBR.
5. Set ICR[TB] bit.
6. When a IDBR Transmit Empty interrupt occurs.
Read ISR: IDBR Transmit Empty (1), ACK/NAK (0), R/nW bit (0)
7. Load data byte to transfer in the IDBR.
8. Set the ICR[TB] bit.
9. Write a 1 to the ISR[ITE] bit to clear interrupt.
10. Return from interrupt.
11. Repeat steps 6 to 10 for *n*-1 times. If, at any time, the slave does not have data, the I²C unit keeps SCL low until data is available.
12. When a IDBR Transmit Empty interrupt occurs.
Read ISR: IDBR Transmit Empty (1), ACK/NAK (1), R/nW bit (0)
13. Write a 1 to the ISR[ITE] bit to clear interrupt.
14. Return from interrupt
15. When Slave Stop Detected interrupt occurs.
Read ISR: Unit Busy (0), Slave STOP Detected (1)
16. Write a 1 to the ISR[SSD] bit to clear interrupt.

9.5.3 Read *n* Bytes as a Slave

1. When a Slave Address Detected interrupt occurs.
Read ISR: Slave Address Detected (1), Unit busy (1), R/nW bit (0)
2. Write a 1 to the ISR[SAD] bit to clear the interrupt.
3. Return from interrupt.
4. Set ICR[TB] bit to initiate the transfer.

5. When an IDBR Receive Full interrupt occurs.
Read ISR: IDBR Receive Full (1), ACK/NAK (0), R/nW bit (0)
6. Read IDBR to get the received byte.
7. Write a 1 to the ISR[IRF] bit to clear interrupt.
8. Return from interrupt.
9. Repeat steps 4 to 8 for $n-1$ times. Once the IDBR is full, the I²C unit will keep SCL low until the data is read.
10. Set ICR[TB] bit to release I²C bus and allow next transfer.
11. When a Slave Stop Detected interrupt occurs.
Read ISR: Unit busy (0), Slave STOP Detected (1)
12. Write a 1 to the ISR[SSD] bit to clear interrupt.

9.6 Master Programming Examples

9.6.1 Initialize Unit

1. Set the slave address in the ISAR.
2. Enable desired interrupts in the ICR. Do not enable Arbitration Loss Detected interrupt
3. Set the ICR[IUE] and ICR[SCLE] bits to enable the I²C unit and SCL.

9.6.2 Write 1 Byte as a Master

1. Load target slave address and R/nW bit in the IDBR. R/nW must be 0 for a write.
2. Initiate the write.
Set ICR[START], clear ICR[STOP], clear ICR[ALDIE], set ICR[TB]
3. When an IDBR Transmit Empty interrupt occurs.
Read ISR: IDBR Transmit Empty (1), Unit Busy (1), R/nW bit (0)
4. Write a 1 to the ISR[ITE] bit to clear interrupt.
5. Write a 1 to the ISR[ALD] bit if set.
If the master loses arbitration, it performs an address retry when the bus becomes free. The Arbitration Loss Detected interrupt is disabled to allow the address retry.
6. Load data byte to be transferred in the IDBR.
7. Initiate the write.
Clear ICR[START], set ICR[STOP], set ICR[ALDIE], set ICR[TB]
8. When an IDBR Transmit Empty interrupt occurs (unit is sending STOP).
Read ISR: IDBR Transmit Empty (1), Unit busy (x), R/nW bit (0)
9. Write a 1 to the ISR[ITE] bit to clear the interrupt.
10. Clear ICR[STOP] bit.

9.6.3 Read 1 Byte as a Master

1. Load target slave address and R/nW bit in the IDBR. R/nW must be 1 for a read.
2. Initiate the write.
Set ICR[START], clear ICR[STOP], clear ICR[ALDIE], set ICR[TB]
3. When an IDBR Transmit Empty interrupt occurs.
Read ISR: IDBR Transmit Empty (1), Unit busy (1), R/nW bit (1)
4. Write a 1 to the ISR[ITE] bit to clear the interrupt.
5. Initiate the read.
Clear ICR[START], set ICR[STOP], set ICR[ALDIE], set ICR[ACKNAK], set ICR[TB]
6. When an IDBR Receive full interrupt occurs (unit is sending STOP).
Read ISR: IDBR Receive Full (1), Unit Busy (x), R/nW bit (1), ACK/NAK bit (1)
7. Write a 1 to the ISR[IRF] bit to clear the interrupt.
8. Read IDBR data.
9. Clear ICR[STOP] and ICR[ACKNAK] bits

9.6.4 Write 2 Bytes and Repeated Start Read 1 Byte as a Master

1. Load target slave address and R/nW bit in the IDBR. R/nW must be 0 for a write.
2. Initiate the write.
Set ICR[START], clear ICR[STOP], clear ICR[ALDIE], set ICR[TB]
3. When an IDBR Transmit Empty interrupt occurs.
Read ISR: IDBR Transmit Empty (1), Unit Busy (1), R/nW bit (0)
4. Write a 1 to the ISR[ITE] bit to clear interrupt.
5. Load data byte to be transferred in the IDBR.
6. Initiate the write.
Clear ICR[START], clear ICR[STOP], set ICR[ALDIE], set ICR[TB]
7. When an IDBR Transmit Empty interrupt occurs.
Read ISR: IDBR Transmit Empty (1), Unit busy (1), R/nW bit (0)
8. Write a 1 to the ISR[ITE] bit to clear interrupt.
9. Repeat steps 5-8 one time.
10. Load target slave address and R/nW bit in the IDBR. R/nW must be 1 for a read.
11. Send repeated start as a master.
Set ICR[START], clear ICR[STOP], clear ICR[ALDIE], set ICR[TB]
12. When an IDBR Transmit Empty interrupt occurs.
Read ISR: IDBR Transmit Empty (1), Unit busy (1), R/nW bit (1)
13. Write a 1 to the ISR[ITE] bit to clear interrupt.
14. Initiate the read.
Clear ICR[START], set ICR[STOP], set ICR[ALDIE], set ICR[ACKNAK], set ICR[TB]
15. When an IDBR Receive full interrupt occurs (unit is sending stop).
Read ISR: IDBR Receive Full (1), Unit Busy (x), R/nW bit (1), ACK/NAK bit (1)

16. Write a 1 to the ISR[IRF] bit to clear the interrupt.
17. Read IDBR data.
18. Clear ICR[STOP] and ICR[ACKNAK] bits

9.6.5 Read 2 Bytes as a Master - Send STOP Using the Abort

1. Load target slave address and R/nW bit in the IDBR. R/nW must be 1 for a read.
2. Initiate the write.
Set ICR[START], clear ICR[STOP], clear ICR[ALDIE], set ICR[TB]
3. When an IDBR Transmit Empty interrupt occurs.
Read ISR: IDBR Transmit Empty (1), Unit busy (1), R/nW bit (1)
4. Write a 1 to the ISR[ITE] bit to clear interrupt.
5. Initiate the read
Clear ICR[START], clear ICR[STOP], set ICR[ALDIE], clear ICR[ACKNAK], set ICR[TB]
6. When an IDBR Receive full interrupt occurs.
Read ISR: IDBR Receive Full (1), Unit Busy (1), R/nW bit (1), ACK/NAK bit (0)
7. Write a 1 to the ISR[IRF] bit to clear the interrupt.
8. Read IDBR data.
9. Clear ICR[STOP] and ICR[ACKNAK] bits
10. Initiate the read.
Clear ICR[START], clear ICR[STOP], set ICR[ALDIE], set ICR[ACKNAK], set ICR[TB]
ICR[STOP] is not set because STOP or repeated start will be decided on the byte read.
11. When an IDBR Receive full interrupt occurs.
Read ISR: IDBR Receive Full (1), Unit Busy (1), R/nW bit (1), ACK/NAK bit (1)
12. Write a 1 to the ISR[IRF] bit to clear the interrupt.
13. Read IDBR data.
14. Initiate STOP abort condition (STOP with no data transfer).
Set ICR[MA]

Note: If a NAK is not sent in Step 11, the next transaction must involve another data byte read.

9.7 Glitch Suppression Logic

The I²C unit has built-in glitch suppression logic that suppresses glitches of 60ns or less. This is within the 50ns glitch suppression specification.

9.8 Reset Conditions

Software must ensure that the I²C unit is not busy before it asserts a reset. Software must also ensure that the I²C bus is idle when the unit is enabled after reset. When directed to reset, the I²C unit, except for ISAR, returns to the default reset condition. ISAR is not affected by a reset.

When the ICR[UR] bit is set, the I²C unit resets but the associated I²C MMRs remain intact. When resetting the I²C unit with the ICR's unit reset, use the following guidelines:

1. Set the reset bit in the ICR register and clear the remainder of the register.
2. Clear the ISR register.
3. Clear reset in the ICR.

9.9 Register Definitions

9.9.1 I²C Bus Monitor Register (IBMR)

The IBMR, shown in Table 9-8, tracks the status of the SCL and SDA pins. The values of these pins are recorded in this read-only IBMR so software can determine when the I²C bus is hung and the I²C unit must be reset.

This is a read/write register. Ignore reads from reserved bits. Write zeros to reserved bits.

Table 9-8. IBMR Bit Definitions

	Physical Address 4030_1680																I ² C Bus Monitor Register																I ² C Bus Interface Unit			
Bit	31	30	29	28	27	26	25	24	23	22	21	20	19	18	17	16	15	14	13	12	11	10	9	8	7	6	5	4	3	2	1	0				
	reserved																																SCLS	SDAS		
Reset	0	0	0	0	0	0	0	0	0	0	0	0	0	0	0	0	0	0	0	0	0	0	0	0	0	0	0	0	0	0	0	0	1	1		
	31:2		—		reserved																															
	1		SCLS		SCL Status: This bit continuously reflects the value of the SCL pin.																															
	0		SDAS		SDA Status: This bit continuously reflects the value of the SDA pin.																															

9.9.2 I²C Data Buffer Register (IDBR)

The processor uses the IDBR, shown in Table 9-9, to transmit and receive data from the I²C bus. The IDBR is accessed by the program I/O on one side and by the I²C shift register on the other. The IDBR receives data coming into the I²C unit after a full byte is received and acknowledged. The processor core writes data going out of the I²C unit to the IDBR and sends it to the serial bus.

When the I²C unit is in transmit mode (master or slave), the processor writes data to the IDBR over the internal bus. The processor writes data to the IDBR when a master transaction is initiated or when the IDBR Transmit Empty Interrupt is signalled. Data moves from the IDBR to the shift register when the Transfer Byte bit is set. The IDBR Transmit Empty Interrupt is signalled (if enabled) when a byte is transferred on the I²C bus and the acknowledge cycle is complete. If the IDBR is not written by the processor and a STOP condition is not in place before the I²C bus is ready to transfer the next byte packet, the I²C unit inserts wait states until the processor writes the IDBR and sets the Transfer Byte bit.

When the I²C unit is in receive mode (master or slave), the processor reads IDBR data over the internal bus. The processor reads data from the IDBR when the IDBR Receive Full Interrupt is signalled. The data moves from the shift register to the IDBR when the ACK cycle is complete. The I²C unit inserts wait states until the IDBR is read. Refer to Section 9.4.3 for more information

on the acknowledge pulse in receiver mode. After the processor reads the IDBR, the ACK/NAK Control bit is written and the Transfer Byte bit is written, allowing the next byte transfer to proceed to the I²C bus. The IDBR register is 0x00 after reset.

This is a read/write register. Ignore reads from reserved bits. Write zeros to reserved bits.

Table 9-9. IDBR Bit Definitions

	Physical Address 4030_1688	I ² C Data Buffer Register	I ² C Bus Interface Unit
Bit	31 30 29 28 27 26 25 24 23 22 21 20 19 18 17 16 15 14 13 12 11 10 9 8 7 6 5 4 3 2 1 0		
	reserved		IDB
Reset	0 0		
	31:8	—	reserved
	7:0	IDB	I ² C Data Buffer: Buffer for I ² C bus send/receive data.

9.9.3 I²C Control Register (ICR)

The processor uses the ICR, shown in Table 9-10, to control the I²C unit.

This is a read/write register. Ignore reads from reserved bits. Write zeros to reserved bits.

Table 9-10. ICR Bit Definitions (Sheet 1 of 3)

	Physical Address 4030_1690	I ² C Control Register	I ² C Bus Interface Unit
Bit	31 30 29 28 27 26 25 24 23 22 21 20 19 18 17 16 15 14 13 12 11 10 9 8 7 6 5 4 3 2 1 0		
	reserved		FM UR SADIE ALDIE SSDIE BEIE IRFIE ITEIE GCD IUE SCLE MA TB ACKNAK STOP START
Reset	0 0		
	31:16	—	reserved
	15	FM	Fast Mode: 0 = 100 KBit/sec. operation 1 = 400 KBit/sec. operation
	14	UR	Unit Reset: 0 = No reset. 1 = Reset the I ² C unit only.
	13	SADIE	Slave Address Detected Interrupt Enable: 0 = Disable interrupt. 1 = Enables the I ² C unit to interrupt the processor when it detects a slave address match or general call address.
	12	ALDIE	Arbitration Loss Detected Interrupt Enable: 0 = Disable interrupt. 1 = Enables the I ² C unit to interrupt the processor when it loses arbitration in master mode.
	11	SSDIE	Slave STOP Detected Interrupt Enable: 0 = Disable interrupt. 1 = Enables the I ² C unit to interrupt the processor when it detects a STOP condition in slave mode.

Table 9-10. ICR Bit Definitions (Sheet 2 of 3)

Physical Address 4030_1690		I ² C Control Register										I ² C Bus Interface Unit																				
Bit	31	30	29	28	27	26	25	24	23	22	21	20	19	18	17	16	15	14	13	12	11	10	9	8	7	6	5	4	3	2	1	0
	reserved																FM	UR	SADIE	ALDIE	SSDIE	BEIE	IRFIE	ITEIE	GCD	IUE	SCLE	MA	TB	ACKNAK	STOP	START
Reset	0	0	0	0	0	0	0	0	0	0	0	0	0	0	0	0	0	0	0	0	0	0	0	0	0	0	0	0	0	0	0	
10	BEIE	Bus Error Interrupt Enable: 0 = Disable interrupt. 1 = Enables the I ² C unit to interrupt the processor for the following I ² C bus errors: <ul style="list-style-type: none"> As a master transmitter, no ACK was detected after a byte was sent. As a slave receiver, the I²C unit generated a NAK pulse. NOTE: Software is responsible for guaranteeing that misplaced START and STOP conditions do not occur. See Section 9.7.																														
9	IRFIE	IDBR Receive Full Interrupt Enable: 0 = Disable interrupt. 1 = Enables the I ² C unit to interrupt the processor when the IDBR receives a data byte from the I ² C bus.																														
8	ITEIE	IDBR Transmit Empty Interrupt Enable: 0 = Disable interrupt. 1 = Enables the I ² C unit to interrupt the processor after transmitting a byte onto the I ² C bus.																														
7	GCD	General Call Disable: 0 = Enables the I ² C unit to respond to general call messages. 1 = Disables I ² C unit response to general call messages as a slave. Must be set when the I ² C unit sends a master mode general call message.																														
6	IUE	I²C Unit Enable: 0 = Disables the unit and does not master any transactions or respond to any slave transactions. 1 = Enables the I ² C unit (defaults to slave-receive mode). Software must ensure that the I ² C bus is idle before it sets this bit.																														
5	SCLE	SCL Enable: 0 = Disables the I ² C unit from driving the SCL line. 1 = Enables the I ² C clock output for master mode operation.																														
4	MA	Master Abort: generates a STOP without transmitting another data byte when the I ² C unit is in master mode. 0 = The I ² C unit transmits STOP using the STOP ICR bit only. 1 = The I ² C unit sends STOP without data transmission. In master-transmit mode, after a data byte is sent, the ICR's Transfer Byte bit is cleared and IDBR Transmit Empty bit is set. When no more data bytes need to be sent, setting master abort bit sends the STOP. The Transfer Byte bit (03) must remain clear. In master-receive mode, when a NAK is sent without a STOP (STOP ICR bit was not set) and the processor does not send a repeated START, setting this bit sends the STOP. Once again, the Transfer Byte bit (03) must remain clear.																														
3	TB	Transfer Byte: used to send/receive a byte on the I ² C bus. 0 = Cleared by I ² C unit when the byte is sent/received. 1 = Send/receive a byte. The processor can monitor this bit to determine when the byte transfer is completed. In master or slave mode, after each byte transfer, including ACK/NAK bit, the I ² C unit holds the SCL line low (inserting wait states) until the Transfer Byte bit is set.																														

Table 9-10. ICR Bit Definitions (Sheet 3 of 3)

Physical Address 4030_1690		I ² C Control Register										I ² C Bus Interface Unit																								
Bit	31	30	29	28	27	26	25	24	23	22	21	20	19	18	17	16	15	14	13	12	11	10	9	8	7	6	5	4	3	2	1	0				
	reserved																FM	UR	SADIE	ALDIE	SSDIE	BEIE	IRFIE	ITEIE	GCD	IUE	SCLE	MA	TB	ACKNAK	STOP	START				
Reset	0	0	0	0	0	0	0	0	0	0	0	0	0	0	0	0	0	0	0	0	0	0	0	0	0	0	0	0	0	0	0					
	2	ACKNAK	ACK/NAK Control: defines the type of ACK pulse sent by the I ² C unit when in master-receive mode. 0 = The I ² C unit sends an ACK pulse after it receives a data byte. 1 = The I ² C unit sends a negative ACK (NAK) after it receives a data byte. The I ² C unit automatically sends an ACK pulse when it responds to its slave address or when it responds in slave-receive mode, independent of the ACK/NAK control bit setting.																																	
	1	STOP	STOP: initiates a STOP condition after the next data byte on the I ² C bus is transferred in master mode. In master-receive mode, the ACK/NAK control bit must be set along with this bit. See Section 9.3.3.3 for more details on the STOP state. 0 = Do not send a STOP. 1 = Send a STOP.																																	
	0	START	START: initiates a START condition to the I ² C unit when in master mode. See Section 9.3.3.1 for more details on the START state. 0 = Do not send a START. 1 = Send a START.																																	

9.9.4 I²C Status Register (ISR)

The ISR, shown in [Table 9-11](#), signals I²C interrupts to the processor interrupt controller. Software can use the ISR bits to check the status of the I²C unit and bus. ISR bits (bits 9-5) are updated after the ACK/NAK bit is completed on the I²C bus.

The ISR also clears the following interrupts signalled from the I²C unit:

- IDBR Receive Full
- IDBR Transmit Empty
- Slave Address Detected
- Bus Error Detected
- STOP Condition Detect
- Arbitration Lost

This is a read/write register. Ignore reads from reserved bits. Write zeros to reserved bits.

Table 9-11. ISR Bit Definitions (Sheet 1 of 2)

Physical Address 4030_1698		I ² C Status Register										I ² C Bus Interface Unit																				
Bit	31	30	29	28	27	26	25	24	23	22	21	20	19	18	17	16	15	14	13	12	11	10	9	8	7	6	5	4	3	2	1	0
	reserved																					BED	SAD	GCAD	IRF	ITE	ALD	SSD	IBB	UB	ACKNAK	RWM
Reset	0	0	0	0	0	0	0	0	0	0	0	0	0	0	0	0	0	0	0	0	0	0	0	0	0	0	0	0	0	0	0	0
31:11	—																					reserved										
10	BED		Bus Error Detected: 0 = No error detected. 1 = The I ² C unit sets this bit when it detects one of the following error conditions: <ul style="list-style-type: none"> As a master transmitter, no ACK is detected on the interface after a byte is sent. As a slave receiver, the I²C unit generates a NAK pulse. NOTE: When an error occurs, I ² C bus transactions continue. Software must ensure that misplaced START and STOP conditions do not occur. See Section 9.4.5 . To clear this bit, write a 1 to it.																													
9	SAD		Slave Address Detected: 0 = No slave address detected. 1 = I ² C unit detected a 7-bit address that matches the general call address or ISAR. An interrupt is signalled when the SADIE interrupt is set to a 1. To clear this bit, write a 1 to it.																													
8	GCAD		General Call Address Detected: 0 = No general call address received. 1 = I ² C unit received a general call address.																													
7	IRF		IDBR Receive Full: 0 = The IDBR has not received a new data byte or the I ² C unit is idle. 1 = The IDBR register received a new data byte from the I ² C bus. An interrupt is signalled when the IRFIE is set to a 1. To clear this bit, write a 1 to it.																													
6	ITE		IDBR Transmit Empty: 0 = The data byte is still being transmitted. 1 = The I ² C unit has finished transmitting a data byte on the I ² C bus. An interrupt is signalled when the ITEIE interrupt is set to 1. To clear this bit, write a 1 to it.																													
5	ALD		Arbitration Loss Detected: used during multi-master operation. 0 = Cleared when arbitration is won or never took place. 1 = Set when the I ² C unit loses arbitration. To clear this bit, write a 1 to it.																													
4	SSD		Slave STOP Detected: 0 = No STOP detected. 1 = Set when the I ² C unit detects a STOP while in slave-receive or slave-transmit mode. To clear this bit, write a 1 to it.																													
3	IBB		I²C Bus Busy: 0 = I ² C bus is idle or the I ² C unit is using the bus (i.e., unit busy). 1 = Set when the I ² C bus is busy but the I ² C unit is not involved in the transaction.																													
2	UB		Unit Busy: 0 = I ² C unit not busy. 1 = Set when the I ² C unit is busy. Defined as the time between the first START and STOP.																													

Table 9-11. ISR Bit Definitions (Sheet 2 of 2)

Physical Address 4030_1698		I ² C Status Register	I ² C Bus Interface Unit
Bit	31 30 29 28 27 26 25 24 23 22 21 20 19 18 17 16 15 14 13 12 11 10 9 8 7 6 5 4 3 2 1 0		
		reserved	BED SAD GCAD IRF ITE ALD SSD IBB UB ACKNAK RWM
Reset	0 0		
1	ACKNAK	ACK/NAK Status: 0 = I ² C unit received or sent an ACK on the bus. 1 = I ² C unit received or sent a NAK. Used in slave-transmit mode to determine when the transferred byte is the last one. Updated after each byte and ACK/NAK information is received.	
0	RWM	Read/Write Mode: 0 = I ² C unit is in master-transmit or slave-receive mode. 1 = I ² C unit is in master-receive or slave-transmit mode. R/nW bit of the slave address. Automatically cleared by hardware after a stop state.	

9.9.5 I²C Slave Address Register (ISAR)

The ISAR, shown in Table 9-12, defines the I²C unit’s 7-bit slave address. In slave-receive mode, the processor responds when the 7-bit address matches the value in this register. The processor writes this register before it enables I²C operations. The ISAR is fully programmable (no address is assigned to the I²C unit) so it can be set to a value other than those of hard-wired I²C slave peripherals in the system. If the processor is reset, the ISAR is not affected. The ISAR register default value is 0000000₂.

This is a read/write register. Ignore reads from reserved bits. Write zeros to reserved bits.

Table 9-12. ISAR Bit Definitions

Physical Address 4030_16A0		I ² C Slave Address Register	I ² C Bus Interface Unit
Bit	31 30 29 28 27 26 25 24 23 22 21 20 19 18 17 16 15 14 13 12 11 10 9 8 7 6 5 4 3 2 1 0		
		reserved	ISA
Reset	0 0		
31:7	—	reserved	
6:0	ISA	I²C Slave Address: 7-bit address that the I ² C unit responds to when in slave-receive mode.	



This chapter describes the universal asynchronous receiver/transmitter (UART) serial ports. The serial ports are controlled via direct memory access (DMA) or programmed I/O. The PXA255 processor has four UARTs: Full Function UART (FFUART), Bluetooth UART (BTUART), Standard UART (STUART) and Hardware UART (HWUART). The HWUART is covered in Chapter 17. The UARTs use the same programming model.

10.1 Feature List

The UARTs share the following features:

- Functionally compatible with the 16550
- Ability to add or delete standard asynchronous communications bits (start, stop, and parity) in the serial data
- Independently controlled transmit, receive, line status, and data set interrupts
- Programmable baud rate generator that allows the internal clock to be divided by 1 to $(2^{16}-1)$ to generate an internal 16X clock
- Modem control pins that allow flow control through software. Each UART has different modem control capability.
- Fully programmable serial-interface:
 - 5-, 6-, 7-, or 8-bit characters
 - Even, odd, and no parity detection
 - 1, 1.5, or 2 stop bit generation
 - Baud rate generation up to 921 Kbps for the BTUART and HWUART. Up to 230 Kbps for other UARTs.
- 64-byte transmit FIFO
- 64-byte receive FIFO
- Complete status reporting capability
- Ability to generate and detect line breaks
- Internal diagnostic capabilities that include:
 - Loopback controls for communications link fault isolation
 - Break, parity, and framing error simulation
- Fully prioritized interrupt system controls
- Separate DMA requests for transmit and receive data services
- Slow infrared asynchronous interface that conforms to the Infrared Data Association (IRDA) standard

10.2 Overview

Each serial port contains a UART and a slow infrared transmit encoder and receive decoder that conforms to the IRDA Serial Infrared (SIR) Physical Layer Link Specification.

Each UART performs serial-to-parallel conversion on data characters received from a peripheral device or a modem and parallel-to-serial conversion on data characters received from the processor. The processor can read a UART's complete status during functional operation. Status information includes the type and condition of transfer operations and error conditions (parity, overrun, framing, or break interrupt) associated with the UART.

Each serial port operates in FIFO or non-FIFO mode. In FIFO mode, a 64-byte Transmit FIFO holds data from the processor until it is transmitted on the serial link and a 64-byte Receive FIFO buffers data from the serial link until it is read by the processor. In non-FIFO mode, the transmit and Receive FIFOs are bypassed.

Each UART includes a programmable baud rate generator that can divide the input clock by 1 to $(2^{16}-1)$. This produces a 16X clock that can be used to drive the internal transmitter and receiver logic. Software can program interrupts to meet its requirements. This minimizes the number of computations required to handle the communications link. Each UART operates in an environment that is controlled by software and can be polled or is interrupt driven.

10.2.1 Full Function UART

The FFUART supports modem control capability. The maximum tested baud rate on this UART is 230.4 kbps. The divisor programmed in the divisor latch registers must be equal to or greater than four.

10.2.2 Bluetooth UART

The BTUART is a high speed UART that supports baud rates up to 921.6 kbps and can be connected to a Bluetooth module. It supports the functions in the feature list, (see [Section 10.1](#)) but only supports two modem control pins (nCTS, nRTS).

10.2.3 Standard UART

The STUART supports all functions in the feature list (see [Section 10.1](#)), but does not support modem control capability. The UART's maximum tested baud rate is 230.4 kbps. The divisors programmed in divisor latch registers must be equal to or greater than four.

10.2.4 Compatibility with 16550

The processor UARTs are functionally compatible with the 16550 industry standard. Each UART supports all of the 16550's functions as well as the following features:

- DMA requests for transmit and receive data services
- Slow infrared asynchronous interface
- Non-Return-to-Zero (NRZ) encoding/decoding function

10.3 Signal Descriptions

Table 10-1 lists and describes each external signal that is connected to a UART module. The pins are connected through the System Integration Unit to GPIOs. Refer to Section 4.1, “General-Purpose I/O” on page 4-1 for details on the GPIOs.

Table 10-1. UART Signal Descriptions (Sheet 1 of 2)

Name	Type	Description
RXD	Input	SERIAL INPUT: Serial data input to the receive shift register. In infrared mode, it is connected to the infrared receiver input. This signal is present on all three UARTs.
TXD	Output	SERIAL OUTPUT: Serial data output to the communications link-peripheral, modem, or data set. The TXD signal is set to the logic 1 state upon a Reset operation. It is connected to the output of the infrared transmitter in infrared mode. This signal is present all three UARTs.
nCTS	Input	CLEAR TO SEND: When low, indicates that the modem or data set is ready to exchange data. The nCTS signal is a modem status input and its condition can be tested by reading bit 4 (CTS) of the Modem Status Register. Bit 4 is the complement of the nCTS signal. Bit 0 (DCTS) of the Modem Status Register (MSR) indicates whether the nCTS input has changed state since the last time the Modem Status Register was read. nCTS has no effect on the transmitter. This signal is present on the FFUART and BTUART. When the CTS bit of the MSR changes state and the Modem Status interrupt is enabled, an interrupt is generated.
nDSR	Input	DATA SET READY: When low, indicates that the modem or data set is ready to establish a communications link with a UART. The nDSR signal is a Modem Status input and its condition can be tested by reading Bit 5 (DSR) of the MSR. Bit 5 is the complement of the nDSR signal. Bit 1 (DDSR) of the MSR indicates whether the nDSR input has changed state since the MSR was last read. This signal is only present on the FFUART. When the DSR bit of the MSR changes state, an interrupt is generated if the Modem Status interrupt is enabled.
nDCD	Input	DATA CARRIER DETECT: When low, indicates that the data carrier has been detected by the modem or data set. The nDCD signal is a modem status input and its condition can be tested by reading Bit 7 (DCD) of the MSR. Bit 7 is the complement of the nDCD signal. Bit 3 (DDCD) of the MSR indicates whether the nDCD input has changed state since the previous reading of the Modem Status Register. nDCD has no effect on the receiver. This signal is only present on the FFUART. When the DCD bit changes state and the Modem Status interrupt is enabled, an interrupt is generated.

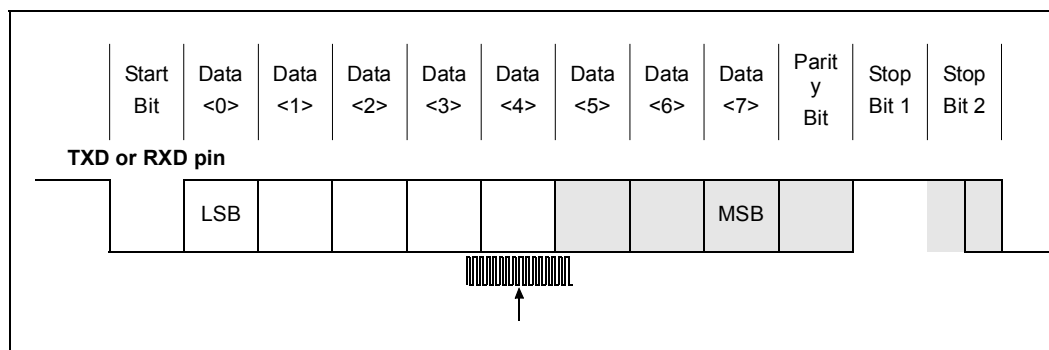
Table 10-1. UART Signal Descriptions (Sheet 2 of 2)

Name	Type	Description
nRI	Input	RING INDICATOR: When low, indicates that the modem or data set has received a telephone ringing signal. The nRI signal is a Modem Status input whose condition can be tested by reading Bit 6 (RI) of the MSR. Bit 6 is the complement of the nRI signal. Bit 2, the trailing edge of ring indicator (TERI), of the MSR indicates whether the nRI input signal has changed from low to high since the MSR was last read. This signal is only present on the FFUART. When the RI bit of the MSR changes from a high to low state and the Modem Status interrupt is enabled, an interrupt is generated.
nDTR	Output	DATA TERMINAL READY: When low, signals the modem or the data set that the UART is ready to establish a communications link. The nDTR output signal can be set to an active low by programming Bit 0 (DTR) of the MSR to a 1. A Reset operation sets this signal to its inactive state. LOOP mode operation holds this signal in its inactive state. This signal is only present on the FFUART.
nRTS	Output	REQUEST TO SEND: When low, signals the modem or the data set that the UART is ready to exchange data. The nRTS output signal can be set to an active low by programming Bit 1 (RTS) of the Modem Control Register to a 1. A Reset operation sets this signal to its inactive (high) state. LOOP mode operation holds this signal in its inactive state. This signal is used by the FFUART and BTUART.

10.4 UART Operational Description

The format of a UART data frame is shown in [Figure 10-1](#).

Figure 10-1. Example UART Data Frame



Receive data sample counter frequency is 16 times the value of the bit frequency. The 16X clock is created by the baud rate generator. Each bit is sampled three times in the middle. Shaded bits in [Figure 10-1](#) are optional and can be programmed by software.

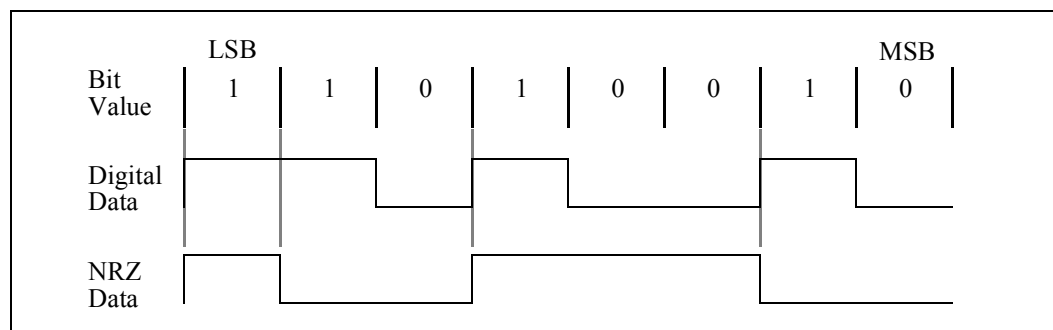
Each data frame is between seven and 12 bits long, depending on the size of the data programmed, whether parity is enabled, and the number of stop bits. A data frame begins by transmitting a start bit that is represented by a high to low transition. The start bit is followed by from five to eight bits of data that begin with the least significant bit (LSB). The data bits are followed by an optional parity bit. The parity bit is set if even parity is enabled and the data byte has an odd number of ones

or if odd parity is enabled and the data byte has an even number of ones. The data frame ends with one, one and a half or two stop bits, as programmed by software. The stop bits are represented by one, one and a half, or two successive bit periods of a logic one.

Each UART has two FIFOs: one transmit and one receive. The transmit FIFO is 64 bytes deep and eight bits wide. The receive FIFO is 64 bytes deep and 11 bits wide. Three bits are used for tracking errors.

The UART can use NRZ coding to represent individual bit values. NRZ coding is enabled when the Interrupt Enable Register's (IER) bit 5, IER[5] is set to high. A one is represented by a line transition and a zero is represented by no line transition. Figure 10-2 shows the data byte 0b 0100 1011 in NRZ coding. The byte's LSB is transmitted first.

Figure 10-2. Example NRZ Bit Encoding – (0b0100 1011)



10.4.1 Reset

The UARTs are disabled on reset. To enable a UART, Software must program the GPIO registers (see Section 4.1, “General-Purpose I/O” on page 4-1) then set IER[UUE]. When the UART is enabled, the receiver waits for a frame start bit and the transmitter sends data if it is available in the Transmit Holding Register. Transmit data can be written to the Transmit Holding Register before the UART unit is enabled. In FIFO mode, data is transmitted from the FIFO to the Transmit Holding Register before it goes to the pin.

When the UART unit is disabled, the transmitter or receiver finishes the current byte and stops transmitting or receiving more data. Data in the FIFO is not cleared and transmission resumes when the UART is enabled.

10.4.2 Internal Register Descriptions

Each UART has 13 registers: 12 registers for UART operation and one register for slow infrared configuration. The registers are all 32-bit registers but only the lower eight bits have valid data. The 12 UART operation registers share nine address locations in the I/O address space. Table 10-2 shows the registers and their addresses as offsets of a base address. The base address for each UART is 32 bits. The state of the SLCR[DLAB] bit affects the selection of some UART registers. To access the Baud Rate Generator Divisor Latch registers, software must set the SLCR[DLAB] bit high.

Table 10-2. UART Register Addresses as Offsets of a Base

UART Register Addresses (Base + offset)	DLAB Bit Value	Register Accessed
Base	0	Receive Buffer (read only)
Base	0	Transmit Buffer (write only)
Base + 0x04	0	Interrupt Enable (read/write)
Base + 0x08	X	Interrupt Identification (read only)
Base + 0x08	X	FIFO Control (write only)
Base + 0x0C	X	Line Control (read/write)
Base + 0x10	X	Modem Control (read/write)
Base + 0x14	X	Line Status (read only)
Base + 0x18	X	Modem Status (read only)
Base + 0x1C	X	Scratch Pad (read/write)
Base + 0x20	X	Infrared Selection (read/write)
Base	1	Divisor Latch Low (read/write)
Base + 0x04	1	Divisor Latch High (read/write)

10.4.2.1 Receive Buffer Register (RBR)

In non-FIFO mode, the RBR, shown in Table 10-3, holds the character received by the UART’s Receive Shift Register. If the RBR is configured to use fewer than eight bits, the bits are right-justified and the most significant bits (MSB) are zeroed. Reading the register empties the register and clears the Data Ready (DR) bit in the Line Status Register (LSR) to a 0.

In FIFO mode, the RBR latches the value of the data byte at the front of the FIFO.

This is a read-only register. Ignore reads from reserved bits.

Table 10-3. RBR Bit Definitions

	Base (DLAB=0)																Receive Buffer Register								UART													
Bit	31	30	29	28	27	26	25	24	23	22	21	20	19	18	17	16	15	14	13	12	11	10	9	8	7	6	5	4	3	2	1	0						
	reserved																								RBR7	RBR6	RBR5	RBR4	RBR3	RBR2	RBR1	RBR0						
Reset	0	0	0	0	0	0	0	0	0	0	0	0	0	0	0	0	0	0	0	0	0	0	0	0	0	0	0	0	0	0	0	0						
	Bits		Name		Description																																	
	31:8		—		reserved																																	
	7:0		RBR[7:0]		Data byte received least significant bit first.																																	

10.4.2.2 Transmit Holding Register (THR)

In non-FIFO mode, the THR, shown in Table 10-4, holds the data byte that is to be transmitted next. When the TSR is emptied, the contents of the THR are loaded in the TSR and the LSR[TDRQ] is set to a 1.

In FIFO mode, a write to the THR puts data into the top of the FIFO. The data at the front of the FIFO is loaded to the TSR when that register is empty.

This is a write-only register. Write zeros to reserved bits.

Table 10-4. THR Bit Definitions

	Base (DLAB=0)																Transmit Holding Register								UART											
Bit	31	30	29	28	27	26	25	24	23	22	21	20	19	18	17	16	15	14	13	12	11	10	9	8	7	6	5	4	3	2	1	0				
	reserved																								THR7	THR6	THR5	THR4	THR3	THR2	THR1	THR0				
Reset	0	0	0	0	0	0	0	0	0	0	0	0	0	0	0	0	0	0	0	0	0	0	0	0	0	0	0	0	0	0	0	0				
	Bits		Name		Description																															
	31:8		—		reserved																															
	7:0		THR[7:0]		Data byte transmitted least significant bit first.																															

10.4.2.3 Divisor Latch Registers (DLL and DLH)

Each UART contains a programmable baud rate generator that can take the 14.7456 MHz fixed input clock and divide it by 1 to (2¹⁶-1). For the FFUART and the STUART, the divisor is from 4 to (2¹⁶-1). The baud rate generator output frequency is 16 times the baud rate. Two 8-bit latch registers, shown in Table 10-5 and Table 10-6, store the divisor in a 16-bit binary format. Load these divisor latches during initialization to ensure that the baud rate generator operates properly. If each Divisor Latch is loaded with a 0, the 16X clock stops. The Divisor Latches are accessed with a word write.

The baud rate of the data shifted in to or out of a UART is given by the formula:

$$BaudRate = \frac{14.7456 \text{ MHz}}{(16 \times Divisor)}$$

For example: if the divisor is 24, the baud rate is 38400 bps.

The divisor's reset value is 0x0002. For the FFUART and the STUART, the divisor must be set to at least 0x0004 before the UART unit is enabled.

These are read/write registers. Ignore reads from reserved bits. Write zeros to reserved bits.

Table 10-5. DLL Bit Definitions

	Base (DLAB=1)																Divisor Latch Low Register								UART											
Bit	31	30	29	28	27	26	25	24	23	22	21	20	19	18	17	16	15	14	13	12	11	10	9	8	7	6	5	4	3	2	1	0				
	reserved																								DLL7	DLL6	DLL5	DLL4	DLL3	DLL2	DLL1	DLL0				
Reset	0	0	0	0	0	0	0	0	0	0	0	0	0	0	0	0	0	0	0	0	0	0	0	0	0	0	0	0	0	0	0	0				
	Bits	Name	Description																																	
	31:8	—	reserved																																	
	7:0	DLL[7:0]	Low byte compare value to generate baud rate.																																	

Table 10-6. DLH Bit Definitions

	Base+0x04 (DLAB=1)																Divisor Latch High Register								UART											
Bit	31	30	29	28	27	26	25	24	23	22	21	20	19	18	17	16	15	14	13	12	11	10	9	8	7	6	5	4	3	2	1	0				
	reserved																								DLH15	DLH14	DLH13	DLH12	DLH11	DLH10	DLH9	DLH8				
Reset	0	0	0	0	0	0	0	0	0	0	0	0	0	0	0	0	0	0	0	0	0	0	0	0	0	0	0	0	0	0	0	0				
	Bits	Name	Description																																	
	31:8	—	reserved																																	
	7:0	DLH[7:0]	High byte compare value to generate baud rate.																																	

10.4.2.4 Interrupt Enable Register (IER)

The IER, shown in Table 10-7, enables the five types of interrupts that set a value in the Interrupt Identification Register (IIR). To disable an interrupt, software must clear the appropriate bit in the IER. Software can enable some interrupts by setting the appropriate bit.

The Character Timeout Indication interrupt is separated from the Received Data Available interrupt to ensure that the processor and the DMA controller do not service the receive FIFO at the same time. When a Character Timeout Indication interrupt occurs, the processor must handle the data in the Receive FIFO through programmed I/O.

An error interrupt is used when DMA requests are enabled. The interrupt is generated when LSR bit 7 is set to a 1, because a receive DMA request is not generated when the receive FIFO has an error. The error interrupt tells the processor to handle the data in the receive FIFO through programmed I/O. The error interrupt is enabled when DMA requests are enabled and it can not be masked. Receiver Line Status interrupts occur when the error is at the front of the FIFO.

Note: When DMA requests are enabled and an interrupt occurs, software must first read the LSR to see if an error interrupt exists, then check the IIR for the source of the interrupt. When the last error byte is read from the FIFO, DMA requests are automatically enabled. Software is not required to check for the error interrupt if DMA requests are disabled because an error interrupt only occurs when DMA requests are enabled.

Bit 7 of the IER is used to enable DMA requests. The IER also contains the unit enable and NRZ coding enable control bits. Bits 7 through 4 are used differently from the standard 16550 register definition.

This is a read/write register. Ignore reads from reserved bits. Write zeros to reserved bits.

Table 10-7. IER Bit Definitions

		Base+0x04 (DLAB=0)																Interrupt Enable Register								UART								
Bit		31	30	29	28	27	26	25	24	23	22	21	20	19	18	17	16	15	14	13	12	11	10	9	8	7	6	5	4	3	2	1	0	
		reserved																								DMAE	UUE	NRZE	RTOIE	MIE	RLSE	TIE	RAVIE	
Reset		0	0	0	0	0	0	0	0	0	0	0	0	0	0	0	0	0	0	0	0	0	0	0	0	0	0	0	0	0	0	0	0	0
Bits	Name	Description																																
31:8	—	reserved																																
7	DMAE	DMA Requests Enable. 0 – DMA requests are disabled 1 – DMA requests are enabled																																
6	UUE	UART Unit Enable. 0 – The unit is disabled 1 – The unit is enabled																																
5	NRZE	NRZ coding Enable. NRZ encoding/decoding is only used in UART mode, not in infrared mode. If the slow infrared receiver or transmitter is enabled, NRZ coding is disabled. 0 – NRZ coding disabled 1 – NRZ coding enabled																																
4	RTOIE	Character Timeout Indication Interrupt Enable. 0 – Character Timeout Indication interrupt disabled 1 – Character Timeout Indication interrupt enabled																																
3	MIE	Modem Interrupt Enable. 0 – Modem Status interrupt disabled 1 – Modem Status interrupt enabled																																
2	RLSE	Receiver Line Status Interrupt Enable. 0 – Receiver Line Status interrupt disabled 1 – Receiver Line Status interrupt enabled																																
1	TIE	Transmit Data request Interrupt Enable. 0 – Transmit FIFO Data Request interrupt disabled 1 – Transmit FIFO Data Request interrupt enabled																																
0	RAVIE	Receiver Data Available Interrupt Enable. 0 – Receiver Data Available (Trigger level reached) interrupt disabled 1 – Receiver Data Available (Trigger level reached) interrupt enabled																																

Note: To ensure that the DMA controller and programmed I/O do not access the same FIFO, software must not set the DMAE while the TIE or RAVIE bits are set to a 1.

10.4.2.5 Interrupt Identification Register (IIR)

The UART prioritizes interrupts in four levels (see [Table 10-8](#)) and records them in the IIR. The IIR, shown in [Table 10-9](#), stores information that indicates that a prioritized interrupt is pending and identifies the source of the interrupt.

In FIFO mode, the “Received Data is available” interrupt (Priority Level 2) takes priority over the “Character Timeout Indication” interrupt (Priority Level 2). For example, if the UART is in FIFO mode and FIFO Control Register[ITL] = 0b00, this will cause the UART to generate an interrupt when there is one byte in the FIFO. In this scenario, if there is one byte in the FIFO, an interrupt is generated, and IIR[3:0] = 0b0100, which indicates that Received Data is available. If data remains in the FIFO and if a Character Timeout occurs (no data has been sent for 4 character times), then the interrupt status does not change to IIR[3:0] = 0b1100 (Character Timeout Indication).

The error interrupt is reported separately in the LSR. In DMA mode, software must check for the error interrupt before it checks the IIR.

If additional data is received before a Character Timeout Indication interrupt is serviced, the interrupt is deasserted.

Table 10-8. Interrupt Conditions

Priority Level	Interrupt origin
1 (highest)	Receiver Line Status: one or more error bits were set.
2	Received Data is available. In FIFO mode, trigger level was reached. In non-FIFO mode, RBR has data.
2	Character Timeout Indication occurred. Occurs only in FIFO mode, when data is in the receive FIFO but no data has been sent for a set time period.
3	Transmitter requests data. In FIFO mode, the transmit FIFO is at least half empty. In non-FIFO mode, the THR has been transmitted.
4 (lowest)	Modem Status: one or more modem input signal has changed state.

This is a read-only register. Ignore reads from reserved bits.

Table 10-9. IIR Bit Definitions (Sheet 1 of 2)

	Base+0x8																Interrupt Identification Register				UART															
Bit	31	30	29	28	27	26	25	24	23	22	21	20	19	18	17	16	15	14	13	12	11	10	9	8	7	6	5	4	3	2	1	0				
	reserved																								FIFOES1	FIFOES0	reserved	reserved	IID3	IID2	IID1	IP				
Reset	0	0	0	0	0	0	0	0	0	0	0	0	0	0	0	0	0	0	0	0	0	0	0	0	0	0	0	0	0	0	0	1				
	Bits	Name	Description																																	
	31:8	—	reserved																																	
	7:6	FIFOES[1:0]	FIFO Mode Enable Status: 00 – Non-FIFO mode is selected 01 – reserved 10 – reserved 11 – FIFO mode is selected (FCR[TRFIFOE] = 1)																																	
	5:4	—	reserved																																	

Table 10-9. IIR Bit Definitions (Sheet 2 of 2)

Base+0x8				Interrupt Identification Register																UART												
Bit	31	30	29	28	27	26	25	24	23	22	21	20	19	18	17	16	15	14	13	12	11	10	9	8	7	6	5	4	3	2	1	0
	reserved																								FIFOES1	FIFOES0	reserved	reserved	IID3	IID2	IID1	IP
Reset	0	0	0	0	0	0	0	0	0	0	0	0	0	0	0	0	0	0	0	0	0	0	0	0	0	0	0	0	0	0	0	1

Bits	Name	Description
3	TOD (IID3)	Character Timeout Indication Detected: 0 – No Character Timeout Indication interrupt is pending 1 – Character Timeout Indication interrupt is pending (FIFO mode only)
2:1	IID[2:1]	Interrupt Source Encoded: 00 – Modem Status (CTS, DSR, RI, DCD modem signals changed state) 01 – Transmit FIFO request data 10 – Received Data Available 11 – Receive error (Overrun, parity, framing, break, FIFO error)
0	IP	Interrupt Pending: 0 – Interrupt is pending (Active low) 1 – No interrupt is pending

Table 10-10. Interrupt Identification Register Decode (Sheet 1 of 2)

Interrupt ID Bits				Interrupt SET/RESET Function			
3	2	1	0	Priority	Type	Source	Cleared By...
0	0	0	1	—	None	No interrupt is pending	—
0	1	1	0	Highest	Receiver Line Status	Overrun error, parity error, framing error, break interrupt	Reading the LSR
0	1	0	0	Second Highest	Received Data Available	Non-FIFO mode: Receive buffer is full FIFO mode: Trigger level was reached	Non-FIFO mode: Reading the Receiver Buffer Register FIFO mode: Reading bytes until Receiver FIFO drops below trigger level or setting FCR[RESETRF].

Table 10-10. Interrupt Identification Register Decode (Sheet 2 of 2)

Interrupt ID Bits				Interrupt SET/RESET Function			
1	1	0	0	Second Highest	Character Timeout Indication	FIFO mode only: At least one character is in the Receive FIFO and no data has been sent for four character times.	Reading the Receiver FIFO, setting FCR[RESETRF] or a new start bit is received
0	0	1	0	Third Highest	Transmit FIFO Data Request	Non-FIFO mode: Transmit Holding register empty FIFO mode: Transmit has half, or less than half, data	Non-FIFO mode: Reading the IIR Register (if the source of the interrupt) or writing into the Transmit Holding Register FIFO mode: Reading the IIR Register (if the source of the interrupt) or writing to the Transmitter FIFO
0	0	0	0	Fourth Highest	Modem Status	Clear to Send, Data Set Ready, Ring Indicator, Data Carrier Detect	Reading the Modem Status Register

10.4.2.6 FIFO Control Register (FCR)

The FCR, shown in Table 10-11, is a write-only register that is located at the same address as the IIR, which is a read-only register. The FCR enables/disables the transmitter/receiver FIFOs, clears the transmitter/receiver FIFOs, and sets the receiver FIFO trigger level.

This is a write-only register. Write zeros to reserved bits.

Table 10-11. FCR Bit Definitions (Sheet 1 of 2)

Base+0x08		FIFO Control Register														UART																				
Bit	31	30	29	28	27	26	25	24	23	22	21	20	19	18	17	16	15	14	13	12	11	10	9	8	7	6	5	4	3	2	1	0				
	reserved																							ITL	reserved	reserved	reserved	RESETRF	RESETRF	TRFIFOE						
Reset	0	0	0	0	0	0	0	0	0	0	0	0	0	0	0	0	0	0	0	0	0	0	0	0	0	0	0	0	0	0	0	0				
	Bits	Name	Description																																	
	31:8	—	reserved																																	
	7:6	ITL	Interrupt Trigger Level: When the number of bytes in the receiver FIFO equals the interrupt trigger level programmed into this field and the Received Data Available Interrupt is enabled via the IER, an interrupt is generated and appropriate bits are set in the IIR. The receive DMA request is also generated when the trigger level is reached. 0b00 – 1 byte or more in FIFO causes interrupt (Not valid in DMA mode) 0b01 – 8 bytes or more in FIFO causes interrupt and DMA request 0b10 – 16 bytes or more in FIFO causes interrupt and DMA request 0b11 – 32 bytes or more in FIFO causes interrupt and DMA request																																	
	5:3	—	reserved																																	

Table 10-11. FCR Bit Definitions (Sheet 2 of 2)

	Base+0x08																FIFO Control Register								UART							
Bit	31	30	29	28	27	26	25	24	23	22	21	20	19	18	17	16	15	14	13	12	11	10	9	8	7	6	5	4	3	2	1	0
	reserved																								ITL	reserved	reserved	reserved	RESETEF	RESETRF	TRFIFOE	
Reset	0	0	0	0	0	0	0	0	0	0	0	0	0	0	0	0	0	0	0	0	0	0	0	0	0	0	0	0	0	0	0	0
Bits	Name		Description																													
2	RESETEF		Reset transmitter FIFO: When RESETEF is set to 1, all the bytes in the transmitter FIFO are cleared. The TDRQ bit in the LSR is set and the IIR shows a transmitter requests data interrupt, if the TIE bit in the IER register is set. The transmitter shift register is not cleared and it completes the current transmission. 0 – Writing 0 has no effect 1 – The transmitter FIFO is cleared																													
1	RESETRF		Reset Receiver FIFO: When RESETRF is set to 1, all the bytes in the receiver FIFO are cleared. The DR bit in the LSR is reset to 0. All the error bits in the FIFO and the FIFOE bit in the LSR are cleared. Any error bits, OE, PE, FE or BI, that had been set in LSR are still set. The receiver shift register is not cleared. If the IIR had been set to Received Data Available, it is cleared. 0 – Writing 0 has no effect 1 – The receiver FIFO is cleared																													
0	TRFIFOE		Transmit and Receive FIFO Enable: TRFIFOE enables/disables the transmitter and receiver FIFOs. When TRFIFOE = 1, both FIFOs are enabled (FIFO Mode). When TRFIFOE = 0, the FIFOs are both disabled (non-FIFO Mode). Writing a 0 to this bit clears all bytes in both FIFOs. When changing from FIFO mode to non-FIFO mode and vice versa, data is automatically cleared from the FIFOs. This bit must be 1 when other bits in this register are written or the other bits are not programmed. 0 – FIFOs are disabled 1 – FIFOs are enabled																													

10.4.2.7 Line Control Register (LCR)

The LCR, shown in Table 10-12, specifies the format for the asynchronous data communications exchange. The serial data format consists of a start bit, five to eight data bits, an optional parity bit, and one, one and a half, or two stop bits. The LCR has bits that allow access to the Divisor Latch and bits that can cause a break condition.

This is a read/write register. Ignore reads from reserved bits. Write zeros to reserved bits.

Table 10-12. LCR Bit Definitions

		Base+0x0C																Line Control Register								UART								
Bit		31	30	29	28	27	26	25	24	23	22	21	20	19	18	17	16	15	14	13	12	11	10	9	8	7	6	5	4	3	2	1	0	
		reserved																								DLAB	SB	STKYP	EPS	PEN	STB	WLS1	WLS0	
Reset		0	0	0	0	0	0	0	0	0	0	0	0	0	0	0	0	0	0	0	0	0	0	0	0	0	0	0	0	0	0	0	0	0
Bits	Name	Description																																
31:8	—	reserved																																
7	DLAB	Divisor Latch Access Bit: Must be set high (logic 1) to access the Divisor Latches of the Baud Rate Generator during a READ or WRITE operation. Must be set low (logic 0) to access the Receiver Buffer, the Transmit Holding Register, or the IER. 0 – access Transmit Holding register (THR), Receive Buffer register (RBR) and IER. 1 – access Divisor Latch registers (DLL and DLH)																																
6	SB	Set Break: Causes a break condition to be transmitted to the receiving UART. Acts only on the TXD pin and has no effect on the transmitter logic. In FIFO mode, wait until the transmitter is idle, LSR[TEMT]=1, to set and clear SB. 0 – no effect on TXD output 1 – forces TXD output to 0 (space)																																
5	STKYP	Sticky Parity: Forces the bit value at the parity bit location to be the opposite of the EPS bit, rather than the parity value. This stops parity generation. If PEN = 0, STKYP is ignored. 0 – no effect on parity bit 1 – forces parity bit to be opposite of EPS bit value																																
4	EPS	Even Parity Select: Even parity select bit. If PEN = 0, EPS is ignored. 0 – sends or checks for odd parity 1 – sends or checks for even parity																																
3	PEN	Parity Enable: Enables a parity bit to be generated on transmission or checked on reception. 0 – no parity 1 – parity																																
2	STB	Stop Bits: Specifies the number of stop bits transmitted and received in each character. When receiving, the receiver only checks the first stop bit. 0 – 1 stop bit 1 – 2 stop bits, except for 5-bit character then 1-1/2 bits																																
1:0	WLS[1:0]	Word Length Select: Specifies the number of data bits in each transmitted or received character. 00 – 5-bit character 01 – 6-bit character 10 – 7-bit character 11 – 8-bit character																																

10.4.2.8 Line Status Register (LSR)

The LSR, shown in Table 10-13, provides data transfer status information to the processor.

In non-FIFO mode, LSR[4:2]: parity error, framing error, and break interrupt, show the error status of the character that has just been received.

In FIFO mode, LSR[4:2] show the status bits of the character that is currently at the front of the FIFO.

LSR[4:1] produce a receiver line status interrupt when the corresponding conditions are detected and the interrupt is enabled. In FIFO mode, the receiver line status interrupt only occurs when the erroneous character reaches the front of the FIFO. If the erroneous character is not at the front of the FIFO, a line status interrupt is generated after the other characters are read and the erroneous character becomes the character at the front of the FIFO.

The LSR must be read before the erroneous character is read. LSR[4:1] bits are set until software reads the LSR.

See Section 10.4.5 for details on using the DMA to receive data.

This is a read-only register. Ignore reads from reserved bits.

Table 10-13. LSR Bit Definitions (Sheet 1 of 3)

Base+0x14		Line Status Register										UART																				
Bit	31	30	29	28	27	26	25	24	23	22	21	20	19	18	17	16	15	14	13	12	11	10	9	8	7	6	5	4	3	2	1	0
	reserved																FIFOE	TEMT	TDRQ	BI	FE	PE	OE	DR								
Reset	0	0	0	0	0	0	0	0	0	0	0	0	0	0	0	0	0	0	0	0	0	0	0	0	0	1	1	0	0	0	0	0
Bits	Name		Description																													
31:8	—		reserved																													
7	FIFOE		FIFO Error Status: In non-FIFO mode, this bit is 0. In FIFO Mode, FIFOE is set to 1 when there is at least one parity error, framing error, or break indication for any of the characters in the FIFO. A processor read to the LSR does not reset this bit. FIFOE is reset when all erroneous characters have been read from the FIFO. If DMA requests are enabled (IER bit 7 is set to 1) and FIFOE is set to 1, the error interrupt is generated and no receive DMA request is generated even when the receive FIFO reaches the trigger level. Once the errors have been cleared by reading the FIFO, DMA requests are re-enabled automatically. If DMA requests are not enabled (IER bit7 is set to 0), FIFOE set to 1 does not generate an error interrupt. 0 – No FIFO or no errors in receiver FIFO 1 – At least one character in receiver FIFO has errors																													
6	TEMT		Transmitter Empty: Set when the Transmit Holding Register and the Transmitter Shift Register are both empty. It is cleared when either the Transmit Holding Register or the Transmitter Shift Register contains a data character. In FIFO mode, TEMT is set when the transmitter FIFO and the Transmitter Shift Register are both empty. 0 – There is data in the Transmit Shift Register, the Transmit Holding Register, or the FIFO 1 – All the data in the transmitter has been shifted out																													

Table 10-13. LSR Bit Definitions (Sheet 2 of 3)

		Base+0x14																Line Status Register								UART								
Bit		31	30	29	28	27	26	25	24	23	22	21	20	19	18	17	16	15	14	13	12	11	10	9	8	7	6	5	4	3	2	1	0	
		reserved																								FIFOE	TEMT	TDRQ	BI	FE	PE	OE	DR	
Reset		0	0	0	0	0	0	0	0	0	0	0	0	0	0	0	0	0	0	0	0	0	0	0	0	0	0	1	1	0	0	0	0	0
Bits	Name	Description																																
5	TDRQ	Transmit Data Request: Indicates that the UART is ready to accept a new character for transmission. In addition, this bit causes the UART to issue an interrupt to the processor when the transmit data request interrupt enable is set high and generates the DMA request to the DMA controller if DMA requests and FIFO mode are enabled. The TDRQ bit is set when a character is transferred from the Transmit Holding register into the Transmit Shift register. The bit is cleared with the loading of the Transmit Holding Register. In FIFO mode, TDRQ is set to 1 when half of the characters in the FIFO have been loaded into the Shift register or the RESETTF bit in FCR has been set. It is cleared when the FIFO has more than half data. If more than 64 characters are loaded into the FIFO, the excess characters are lost. 0 – There is data in Holding register or FIFO waiting to be shifted out 1 – Transmit FIFO has half or less than half data																																
4	BI	Break Interrupt: BI is set when the received data input is held low for longer than a full word transmission time (that is, the total time of Start bit + data bits + parity bit + stop bits). The Break indicator is reset when the processor reads the LSR. In FIFO mode, only one character equal to 0x00, is loaded into the FIFO regardless of the length of the break condition. BI shows the break condition for the character at the front of the FIFO, not the most recently received character. 0 – No break signal has been received 1 – Break signal received																																
3	FE	Framing Error: FE indicates that the received character did not have a valid stop bit. FE is set when the bit following the last data bit or parity bit is detected to be 0. If the LCR had been set for two stop bit mode, the receiver does not check for a valid second stop bit. The FE indicator is reset when the processor reads the LSR. The UART will resynchronize after a framing error. To do this it assumes that the framing error was due to the next start bit, so it samples this "start" bit twice and then reads in the "data". In FIFO mode, FE shows a framing error for the character at the front of the FIFO, not for the most recently received character. 0 – No Framing error 1 – Invalid stop bit has been detected																																

Table 10-13. LSR Bit Definitions (Sheet 3 of 3)

		Base+0x14																Line Status Register				UART											
Bit		31	30	29	28	27	26	25	24	23	22	21	20	19	18	17	16	15	14	13	12	11	10	9	8	7	6	5	4	3	2	1	0
		reserved																								FIFOE	TEMT	TDRQ	BI	FE	PE	OE	DR
Reset		0	0	0	0	0	0	0	0	0	0	0	0	0	0	0	0	0	0	0	0	0	0	0	0	0	1	1	0	0	0	0	0
Bits	Name	Description																															
2	PE	Parity Error: Indicates that the received data character does not have the correct even or odd parity, as selected by the even parity select bit. PE is set upon detection of a parity error and is cleared when the processor reads the LSR. In FIFO mode, PE shows a parity error for the character at the front of the FIFO, not the most recently received character. 0 – No Parity error 1 – Parity error has occurred																															
1	OE	Overrun Error: In non-FIFO mode, indicates that data in the Receive Buffer Register was not read by the processor before the next character was received. The new character is lost. In FIFO mode, OE indicates that all 64 bytes of the FIFO are full and the most recently received byte has been discarded. The OE indicator is set upon detection of an overrun condition and cleared when the processor reads the LSR. 0 – No data has been lost 1 – Received data has been lost																															
0	DR	Data Ready: Set when a complete incoming character has been received and transferred into the Receive Buffer Register or the FIFO. In non-FIFO mode, DR is cleared when the receive buffer is read. In FIFO mode, DR is cleared if the FIFO is empty (last character has been read from RBR) or the FIFO is reset with FCR[RESETRF]. 0 – No data has been received 1 – Data is available in RBR or the FIFO																															

10.4.2.9 Modem Control Register (MCR)

The MCR, shown in Table 10-14, uses the modem control pins nRTS and nDTR to control the interface with a modem or data set. The MCR also controls the Loopback mode. Loopback mode must be enabled before the UART is enabled. The differences between UARTs specific to this register are described in Section 10.5.1.

This is a read/write register. Ignore reads from reserved bits. Write zeros to reserved bits.

Table 10-14. MCR Bit Definitions (Sheet 1 of 2)

	Base+0x10										Modem Control Register										UART											
Bit	31	30	29	28	27	26	25	24	23	22	21	20	19	18	17	16	15	14	13	12	11	10	9	8	7	6	5	4	3	2	1	0
	reserved																											LOOP	OUT2	OUT1	RTS	DTR
Reset	0	0	0	0	0	0	0	0	0	0	0	0	0	0	0	0	0	0	0	0	0	0	0	0	0	0	0	0	0	0	0	0
Read/Write																																
	Bits	Name	Description																													
	31:5	—	reserved																													
	4	LOOP	<p>Loopback Mode: This bit provides a local loopback feature for diagnostic testing of the UART. When LOOP is set to a logic 1, the following will occur: The transmitter serial output is set to a logic 1 state. The receiver serial input is disconnected from the pin. The output of the Transmitter Shift register is “looped back” into the receiver shift register input. The four modem control inputs (nCTS, nDSR, nDCD, and nRI) are disconnected from the pins and the modem control output pins (nRTS and nDTR) are forced to their inactive state.</p> <p>Coming out of the loopback mode may result in unpredictable activation of the delta bits (bits 3:0) in the Modem Status Register. It is recommended that MSR is read once to clear the delta bits in the MSR.</p> <p>Loopback mode must be configured before the UART is enabled.</p> <p>The lower four bits of the MCR are connected to the upper four Modem Status Register bits:</p> <ul style="list-style-type: none"> • DTR = 1 forces DSR to a 1 • RTS = 1 forces CTS to a 1 • OUT1 = 1 forces RI to a 1 • OUT2 = 1 forces DCD to a 1 <p>In loopback mode, data that is transmitted is immediately received. This feature allows the processor to verify the transmit and receive data paths of the UART. The transmit, receive and modem control interrupts are operational, except the modem control interrupts are activated by MCR bits, not the modem control pins. A break signal can also be transferred from the transmitter section to the receiver section in loopback mode.</p> <p>0 – normal UART operation 1 – loopback mode UART operation</p>																													
	3	OUT2	<p>OUT2 signal control: OUT2 connects the UART’s interrupt output to the Interrupt Controller unit. When LOOP=0:</p> <p>0 – UART interrupt is disabled. 1 – UART interrupt is enabled.</p> <p>When LOOP=1, interrupts always go to the processor:</p> <p>0 – MSR[DCD] forced to a 0 1 – MSR[DCD] forced to a 1</p>																													

Table 10-14. MCR Bit Definitions (Sheet 2 of 2)

	Base+0x10										Modem Control Register										UART												
Bit	31	30	29	28	27	26	25	24	23	22	21	20	19	18	17	16	15	14	13	12	11	10	9	8	7	6	5	4	3	2	1	0	
	reserved																										LOOP	OUT2	OUT1	RTS	DTR		
Reset	0	0	0	0	0	0	0	0	0	0	0	0	0	0	0	0	0	0	0	0	0	0	0	0	0	0	0	0	0	0	0	0	
Read/Write																																	
	Bits	Name	Description																														
	2	OUT1	Test bit. This bit is used only in Loopback mode. It is ignored otherwise. 0 – Force MSR[RI] to 0 1 – Force MSR[RI] to 1																														
	1	RTS	Request to Send. 0 – nRTS pin is 1 1 – nRTS pin is 0																														
	0	DTR	Data Terminal Ready. 0 – nDTR pin is 1 1 – nDTR pin is 0																														

10.4.2.10 Modem Status Register (MSR)

The MSR, shown in [Table 10-15](#), provides the current state of the control lines from the modem or data set (or a peripheral device emulating a modem) to the processor. In addition to this current state information, four bits of the MSR provide change information. MSR[3:0] are set when a control input from the Modem changes state. They are cleared when the processor reads the MSR. Differences between UARTs specific to this register are described in [Section 10.5.1](#).

The status of the modem control lines do not affect the FIFOs. To use these lines for flow control, IER[MIE] must be set. When an interrupt on one of the flow control pins occurs, the interrupt service routine must disable the UART. The UART will continue transmission/reception of the current character and then stop. The contents of the FIFOs will be preserved. If the UART is re-enabled, transmission will continue where it stopped. Interrupts from the flow control pins will not come through the UART unit if the unit is disabled. When disabling the unit because of flow control, interrupts must be enabled in the processor Interrupt Controller for the flow control pins. The Interrupt Controller will still trigger interrupts if the pins are in Alternate Function Mode.

Note: When bit 0, 1, 2, or 3 is set, a Modem Status interrupt is generated if IER[MIE] is set.

This is a read-only. Ignore reads from reserved bits.

Table 10-15. MSR Bit Definitions

		Base+0x18																Modem Status Register								UART							
Bit		31	30	29	28	27	26	25	24	23	22	21	20	19	18	17	16	15	14	13	12	11	10	9	8	7	6	5	4	3	2	1	0
		reserved																								DCD	RI	DSR	CTS	DDCD	TERI	DDSR	DCTS
Reset		0	0	0	0	0	0	0	0	0	0	0	0	0	0	0	0	0	0	0	0	0	0	0	0	0	0	0	0	0	0	0	0
Bits	Name	Description																															
31:8	—	reserved																															
7	DCD	Data Carrier Detect: Complement of the Data Carrier Detect (nDCD) input. Equivalent to MCR[OUT2] if MCR[LOOP] is set. 0 – nDCD pin is 1 1 – nDCD pin is 0																															
6	RI	Ring Indicator: Complement of the Ring Indicator (nRI) input. Equivalent to MCR[OUT1] if MCR[LOOP] is set. 0 – nRI pin is 1 1 – nRI pin is 0																															
5	DSR	Data Set Ready: Complement of the Data Set Ready (nDSR) input. Equivalent to MCR[DTR] if MCR[LOOP] is set. 0 – nDSR pin is 1 1 – nDSR pin is 0																															
4	CTS	Clear To Send: Complement of the Clear to Send (nCTS) input. Equivalent to MCR[RTS] if MCR[LOOP] is set. 0 – nCTS pin is 1 1 – nCTS pin is 0																															
3	DDCD	Delta Data Carrier Detect: 0 – No change in nDCD pin since last read of MSR 1 – nDCD pin has changed state																															
2	TERI	Trailing Edge Ring Indicator: 0 – nRI pin has not changed from 0 to 1 since last read of MSR 1 – nRI pin has changed from 0 to 1																															
1	DDSR	Delta Data Set Ready: 0 – No change in nDSR pin since last read of MSR 1 – nDSR pin has changed state																															
0	DCTS	Delta Clear To Send: 0 – No change in nCTS pin since last read of MSR 1 – nCTS pin has changed state																															

10.4.2.11 Scratchpad Register (SPR)

The SPR, shown in Table 10-16, has no effect on the UART. It is intended as a scratchpad register for use by the programmer. It is included for 16550 compatibility.

This is a read/write register. Ignore reads from reserved bits. Write zeros to reserved bits.

Table 10-16. SPR Bit Definitions

	Base+0x1C																Scratch Pad Register								UART								
Bit	31	30	29	28	27	26	25	24	23	22	21	20	19	18	17	16	15	14	13	12	11	10	9	8	7	6	5	4	3	2	1	0	
	reserved																								0/0								
Reset	0	0	0	0	0	0	0	0	0	0	0	0	0	0	0	0	0	0	0	0	0	0	0	0	0	0	0	0	0	0	0	0	0
	Bits		Name		Description																												
	31:8		—		reserved																												
	7:0		SP		Scratch Pad No effect on UART functionality																												

10.4.3 FIFO Interrupt Mode Operation

This section describes how to service interrupts in FIFO mode.

10.4.3.1 Receive Interrupt

For a receive interrupt to occur, the receive FIFO and receive interrupts must be enabled. IIR[IID] changes to show that receive data is available when the FIFO reaches its trigger level. IIR[IID] changes to show the next waiting interrupt when the FIFO drops below the trigger level. A change in IIR[IID] triggers an interrupt to the core. Software reads IIR[IID] to determine the cause of the interrupt.

The receiver line status interrupt (IIR = 0xC6) has the highest priority and the received data available interrupt (IIR = 0xC4) is lower. The line status interrupt occurs only when the character at the front of the FIFO has errors.

The data ready bit (DR in the LSR) is set when a character is transferred from the shift register to the Receive FIFO. The DR bit is cleared when the FIFO is empty.

10.4.3.2 Character Timeout Indication Interrupt

A character timeout indication interrupt occurs when the receive FIFO and character timeout indication interrupt are enabled and all of the following conditions exist:

- At least one character is in the FIFO.
- The most recently received character was received more than four continuous character times ago. If two stop bits are programmed, the second is included in this interval.
- The most recent FIFO read was performed more than four continuous character times ago.

After the processor reads one character from the receive FIFO or a new start bit is received, the character timeout indication interrupt is cleared and the timeout is reset. If a character timeout indication interrupt has not occurred, the timeout is reset when a new character is received or the processor reads the receive FIFO.

10.4.3.3 Transmit Interrupt

Transmit interrupts can only occur when the transmit FIFO and transmit interrupt are enabled. The transmit data request interrupt occurs when the transmit FIFO is at least half empty. The interrupt is cleared when the THR is written or the IIR is read.

10.4.4 FIFO Polled Mode Operation

When the FIFOs are enabled, setting IER[7] and IER[4:0] to all zeroes puts the serial port in the FIFO polled mode of operation. The receiver and the transmitter are controlled separately. Either one or both can be in the polled mode. In polled mode, software checks receiver and transmitter status via the LSR.

10.4.5 DMA Requests

The FIFO data is one byte wide. DMA requests are either transmit data service requests or receive data service requests. DMA requests are only generated in FIFO mode.

The transmit DMA request is generated when the transmit FIFO is at least half empty and IER[DMAE] is set. After the transmit DMA request is generated, the DMA Controller (DMAC) writes data to the FIFO. For each DMA request, the DMAC sends 8, 16, or 32 bytes of data to the FIFO. The number of bytes to be transmitted is programmed in the DMA channel.

The receive DMA request is generated when the receive FIFO reaches its trigger level with no errors in its entries and the IER[DMAE] is set. A receive DMA request is not generated if the trigger level is set to 1.

The DMAC then reads data from the FIFO. For each DMA request, the DMA controller can read 8, 16 or 32 bytes of data from the FIFO. The number of bytes to be read is programmed in the DMA channel.

Note: Do not program the channel to read more data than the FIFO trigger level.

If DMA requests are enabled and an erroneous character is received, the receive DMA requests are automatically disabled and an error interrupt is generated. The erroneous character is placed in the receive FIFO. If the UART was requesting a receive DMA transaction, the request is immediately cancelled. This prevents the DMAC from attempting to access the FIFOs while software clears the error.

When all the errors in the receive FIFO are cleared, receive DMA requests are automatically enabled and can be generated when the trigger level is reached.

Note: Ensure that the DMAC has finished previous receive DMA requests before the error interrupt handler begins to clear the errors from the FIFO.

10.4.5.1 Trailing Bytes in the Receive FIFO

Trailing bytes occur when the number of entries in the receive FIFO is less than its trigger level and no more data is being received. In such a case, a receive DMA request is not generated. To read the trailing bytes follow these steps:

1. Wait for a character timeout indication interrupt. The character timeout indication interrupt must be enabled.
2. Disable the receive DMA channel and wait for it to stop.
3. Read one byte at a time. The FIFO is empty when LSR[DR] is cleared.
4. Re-enable the receive DMA channel.

10.4.6 Slow Infrared Asynchronous Interface

The Slow Infrared (SIR) interface is used with the STUART to support two-way wireless communication that uses infrared transmission. The SIR provides a transmit encoder and receive decoder to support a physical link that conforms to the IRDA Serial Infrared Specification Version 1.1.

The SIR interface does not contain the actual IR LED driver or the receiver amplifier. The I/O pins attached to the SIR only have digital CMOS level signals. The SIR supports two-way communication, but full duplex communication is not possible because reflections from the transmit LED enter the receiver. The SIR interface supports frequencies up to 115.2 kbps. Because the input clock is 14.7456 MHz, the baud divisor must be eight or more.

10.4.6.1 Infrared Selection Register (ISR)

The IRDA module is managed through the UART to which it is attached. The ISR, shown in [Table 10-17](#), controls IRDA functions.

This is a read/write register. Ignore reads from reserved bits. Write zeros to reserved bits.

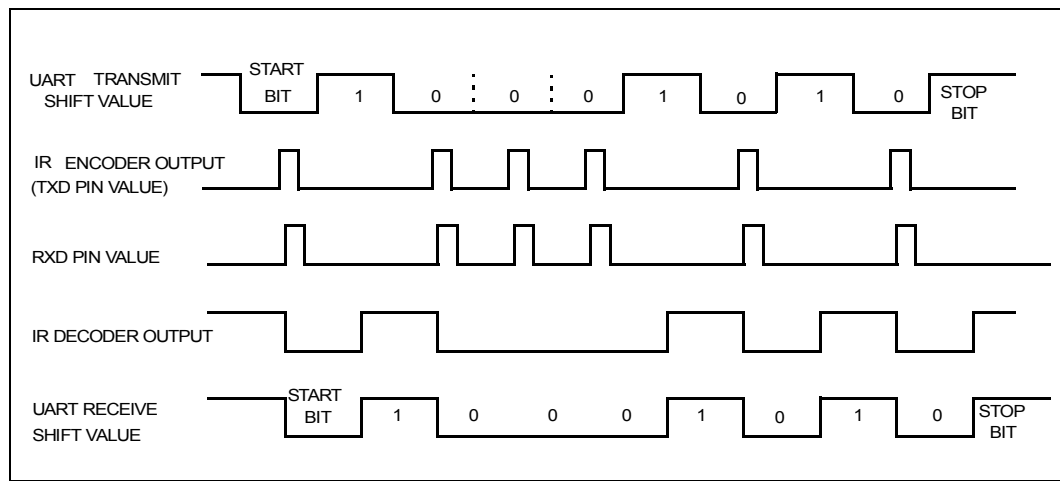
Table 10-17. ISR Bit Definitions

	Base+0x20										Infrared Selection Register										UART											
Bit	31	30	29	28	27	26	25	24	23	22	21	20	19	18	17	16	15	14	13	12	11	10	9	8	7	6	5	4	3	2	1	0
	reserved																									RXPL	TXPL	XMODE	RCVEIR	XMITIR		
Reset	0	0	0	0	0	0	0	0	0	0	0	0	0	0	0	0	0	0	0	0	0	0	0	0	0	0	0	0	0	0	0	0
Bits	Name	Description																														
31:5	—	reserved																														
4	RXPL	Receive Data Polarity: 0 – SIR decoder interprets positive pulses as zeroes 1 – SIR decoder interprets negative pulses as zeroes																														
3	TXPL	Transmit Data Polarity: 0 – SIR encoder generates a positive pulse for a data bit of zero 1 – SIR encoder generates a negative pulse for a data bit of zero																														
2	XMODE	Transmit Pulse Width Select: When XMODE is cleared, the UART 16X clock is used to clock the IRDA transmit and receive logic. When XMODE is set, the transmit encoder generates 1.6 μs pulses (that are 3/16 of a bit time at 115.2 kbps) instead of pulses 3/16 of a bit time wide, and the receive decoder expects pulses will be 1.6μs wide also. 0 – Transmit pulse width is 3/16 of a bit time wide 1 – Transmit pulse width is 1.6 μs																														
1	RCVEIR	Receiver SIR Enable: When RCVEIR is set, the signal from the RXD pin is processed by the IRDA decoder before it is fed to the UART. If RCVEIR is cleared, then all clocking to the IRDA decoder is blocked and the RXD pin is fed directly to the UART. 0 – Receiver is in UART mode 1 – Receiver is in infrared mode																														
0	XMITIR	Transmitter SIR Enable: When XMITIR is set to a 1, the normal TXD output from the UART is processed by the IRDA encoder before it is fed to the device pin. If XMITIR is cleared, all clocking to the IRDA encoder is blocked and the UART's TXD signal is connected directly to the device pin. When Transmitter SIR Enable is set, the TXD output pin, which is in a normally high default state, will switch to a normally low default state. This can cause a false start bit unless the infrared LED is disabled before XMITIR is set. 0 – Transmitter is in UART mode 1 – Transmitter is in infrared mode																														

10.4.6.2 Operation

The SIR modulation technique works with 5-, 6-, 7-, or 8-bit characters with an optional parity bit. The data is preceded by a zero value start bit and ends with one or more stop bits. The encoding scheme is to set a pulse 3/16 of a bit wide in the middle of every zero bit and send no pulses for bits that are ones. The pulse for each zero bit must occur, even for consecutive bits with no edge between them.

Figure 10-3. IR Transmit and Receive Example

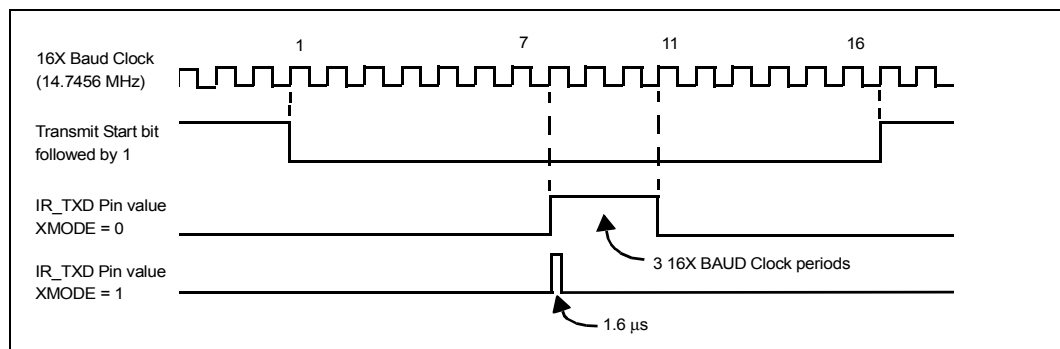


The top line in Figure 10-3 shows an asynchronous transmission as it is sent from the UART. The second line shows the pulses generated by the IR encoder at the TXD pin. A pulse is generated in the middle of the START bit and any data bit that is a zero. The third line shows the values received at the RXD input pin. The fourth line shows the receive decoder's output. The receive decoder drives the receiver data line low when it detects a pulse. The bottom line shows how the UART's receiver interprets the decoder's action. This last line is the same as the first, but it is shifted half a bit period.

When XMODE is cleared, each zero bit has a pulse width of 3/16 of a bit time. When XMODE is set, a pulse of 1.6 μ s is generated in the middle of each zero bit. The shorter infrared pulse generated when XMODE is set reduces the LEDs' power consumption. At 2400 bps, the LED is normally on for 78 μ s for each zero bit that is transmitted. When XMODE is set, the LED is on only 1.6 μ s. XMODE changes the behavior of the receiver. The receiver expects pulses of the correct pulse width. If the transceiver crops the incoming pulse, then Xmode must be set.

Note:

Figure 10-4. XMODE Example



Note: Note: The SIR TXD output pin is automatically held deasserted when the RCVEIR bit is set. Before setting the RCVEIR bit, check that the TEMT bit is 1. While receiving, any data placed in

the Transmit FIFO will not be held. Only add data to the Transmit FIFO while not receiving. To start transmission, the RCVEIR bit must be cleared.

To disable SIR, disable the IrDA LED first, if possible. Second, set the TXD GPIO pin to the infrared LED's default state using the GPCR/GPSR registers. Next, change the TXD pin from alternate function to GPIO mode. Now the SIR can be disabled without causing spurious transmit pulses.

10.5 UART Register Summary

Table 10-18, Table 10-19, and Table 10-20 contain the register addresses for the FFUART, BTUART, and STUART.

Table 10-18. FFUART Register Summary

Register Addresses	DLAB Bit Value	Name	Description
0x4010_0000	0	FFRBR	Receive Buffer register (read only)
0x4010_0000	0	FFTHR	Transmit Holding register (write only)
0x4010_0004	0	FFIER	IER (read/write)
0x4010_0008	X	FFIIR	Interrupt ID register (read only)
0x4010_0008	X	FFFCR	FCR (write only)
0x4010_000C	X	FFLCR	LCR (read/write)
0x4010_0010	X	FFMCR	MCR (read/write)
0x4010_0014	X	FFLSR	LSR (read only)
0x4010_0018	X	FFMSR	MSR (read only)
0x4010_001C	X	FFSPR	Scratch Pad Register
0x4010_0020	X	FFISR	Infrared Selection register (read/write)
0x4010_0000	1	FFDLL	Divisor Latch Low register (read/write)
0x4010_0004	1	FFDLH	Divisor Latch High register (read/write)

Table 10-19. BTUART Register Summary (Sheet 1 of 2)

Register Addresses	DLAB Bit Value	Name	Description
0x4020_0000	0	BTRBR	Receive Buffer register (read only)
0x4020_0000	0	BTTHR	Transmit Holding register (write only)
0x4020_0004	0	BTIER	IER (read/write)
0x4020_0008	X	BTIIR	Interrupt ID register (read only)
0x4020_0008	X	BTFCR	FCR (write only)
0x4020_000C	X	BTLCR	LCR (read/write)
0x4020_0010	X	BTMCR	MCR (read/write)
0x4020_0014	X	BTLSR	LSR (read only)
0x4020_0018	X	BTMSR	MSR (read only)

Table 10-19. BTUART Register Summary (Sheet 2 of 2)

Register Addresses	DLAB Bit Value	Name	Description
0x4020_001C	X	BTSPR	Scratch Pad Register
0x4020_0020	X	BTISR	Infrared Selection register (read/write)
0x4020_0000	1	BDLL	Divisor Latch Low register (read/write)
0x4020_0004	1	BDLH	Divisor Latch High register (read/write)

Table 10-20. STUART Register Summary

Register Addresses	DLAB Bit Value	Name	Description
0x4070_0000	0	STRBR	Receive Buffer register (read only)
0x4070_0000	0	STTHR	Transmit Holding register (write only)
0x4070_0004	0	STIER	IER (read/write)
0x4070_0008	X	STIIR	Interrupt ID register (read only)
0x4070_0008	X	STFCR	FCR (write only)
0x4070_000C	X	STLCR	LCR (read/write)
0x4070_0010	X	STMCR	MCR (read/write)
0x4070_0014	X	STLSR	LSR (read only)
0x4070_0018	X	STMSR	reserved (no modem control pins)
0x4070_001C	X	STSPR	Scratch Pad Register
0x4070_0020	X	STISR	Infrared Selection register (read/write)
0x4070_0000	1	STDLL	Divisor Latch Low register (read/write)
0x4070_0004	1	STDLH	Divisor Latch High register (read/write)

10.5.1 UART Register Differences

The default descriptions for BTMCR, BTMSR and STMCR are modified as shown in [Table 10-21](#).

Table 10-21. Flow Control Registers in BTUART and STUART

	Bit7-5	Bit4	Bit3	Bit2	Bit1	Bit0
BTMCR	reserved	LOOP	OUT2	reserved	RTS	reserved
BTMSR	reserved	CTS	reserved	reserved	reserved	DCTS
STMCR	reserved	LOOP	OUT2	reserved	reserved	reserved

Fast Infrared Communication Port 11

The Fast Infrared Communications Port (FICP) for the PXA255 processor operates at half-duplex and provides direct connection to commercially available Infrared Data Association (IrDA) compliant LED transceivers. The FICP is based on the 4-Mbps IrDA standard and uses four-position pulse modulation (4PPM) and a specialized serial packet protocol developed for IrDA transmission. To support the standard, the FICP has:

- A bit encoder/decoder,
- A serial-to-parallel data engine
- A transmit FIFO 128 entries deep and 8 bits wide
- A receive FIFO 128 entries deep and 11 bits wide

The FICP shares GPIO pins for transmit and receive data with the Standard UART. Only one of the ports can be used at a time. To support a variety of IrDA transceivers, both the transmit and receive data pins can be individually configured to communicate using normal or active low data.

11.1 Signal Description

The FICP signals are IRRXD and IRTXD. [Table 11-1](#) describes each signal's function. Most IrDA transceivers also have enable and speed pins. Use GPIOs to enable the transceiver and select the speed. See [Chapter 4, "System Integration Unit"](#) for more information.

Table 11-1. FICP Signal Description

Signal Name	Input/Output	Description
IRRXD	Input	Receive pin for FICP
IRTXD	Output	Transmit pin for FICP

11.2 FICP Operation

The FICP is disabled and does not have control of the port's pins after a reset. Before software enables the FICP for high-speed operation, it must set the control registers to reflect the desired operating mode. After the control registers are set, software can either preload the FICP's transmit FIFO with up to 128 bytes, or leave the FIFO empty and use the DMA to service it after the FICP is enabled. Once the FICP is enabled, transmit/receive data can be sent on the transmit and receive pins.

The transmit/receive data is modulated according to the 4PPM IrDA standard and converted to serial or parallel data. The modulation technique and the frame format are discussed in the sections that follow.

11.2.1 4PPM Modulation

Four-position pulse modulation (4PPM) is used to transmit data at the high-speed rate, 4.0 Mbps. Data bits are encoded two at a time by placing a single 125 ns light pulse in one of four timeslots. The four timeslots are collectively termed a chip. Bytes are encoded one at a time. They are divided into four individual 2-bit pairings called nibbles. The least significant nibble is transmitted first. Figure 11-1 shows the 4PPM encoding for the possible 2-bit combinations and Figure 11-2 shows an example of 4PPM modulation for the byte 0b10110001, which is constructed with four chips. Bits within each nibble are not reordered, but nibble 0 (least significant) is transmitted first and nibble 3 (most significant) is transmitted last.

Figure 11-1. 4PPM Modulation Encodings

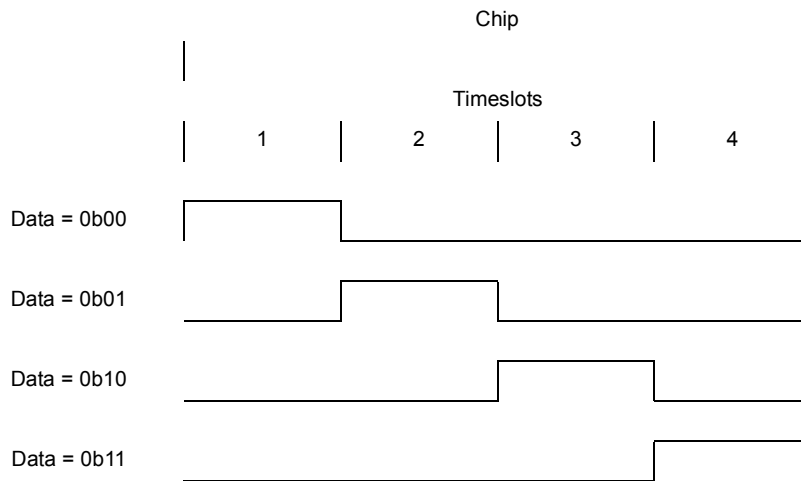
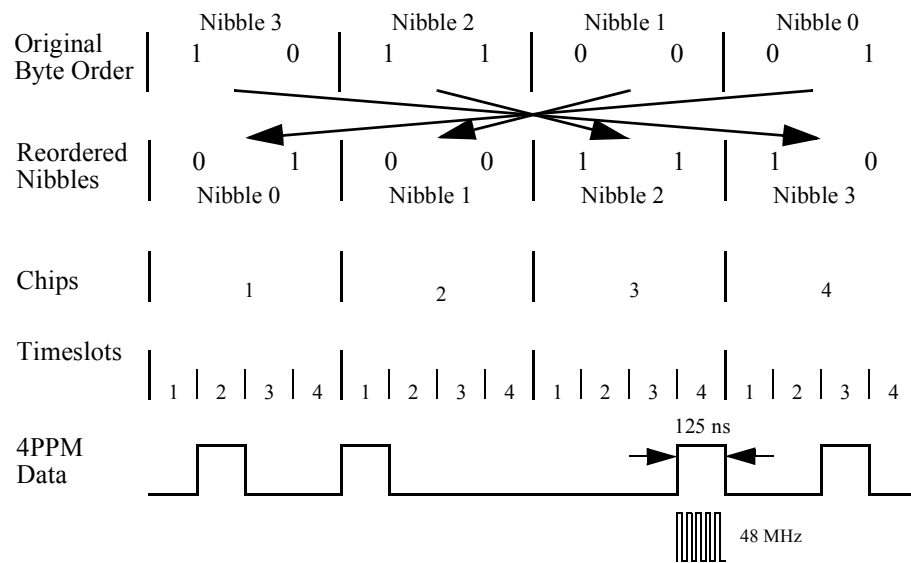


Figure 11-2. 4PPM Modulation Example



Receive data sample counter frequency = 6/pulse width. Each timeslot is sampled on the third clock.

11.2.2 Frame Format

The frame format used with 4-Mbps transmission is shown in [Figure 11-3](#).

Figure 11-3. Frame Format for IrDA Transmission (4.0 Mbps)

64 chips	8 chips	4 chips (8 bits)	4 chips (8 bits)	8180 chips max (2045 bytes)	16 chips (32 bits)	8 chips
Preamble	Start Flag	Address (optional)	Control (optional)	Data	CRC-32	Stop Flag
Preamble - 1000 0000 1010 1000 ... repeated at least 16 times						
Start flag - 0000 1100 0000 1100 0110 0000 0110 0000						
Stop Flag - 0000 1100 0000 1100 0000 0110 0000 0110						

The preamble, start, and stop flags are a mixture of chips that contain 0, 1, or 2 pulses in their timeslots. Chips with 0 and 2 pulses are used to construct flags because the chips represent invalid data bit pairings. The preamble contains 16 repeated transmissions of the chips: 1000 0000 1010 1000. The start flag contains one transmission of eight chips: 0000 1100 0000 1100 0110 0000 0110 0000. The stop flag contains one transmission of eight chips: 0000 1100 0000 1100 0000 0110 0000 0110. The address, control, data, and CRC-32 use the standard 4PPM chip encoding to represent two bits per chip.

11.2.3 Address Field

A transmitter uses the 8-bit address field to target a receiver when multiple stations are connected to the same set of serial lines. The address allows up to 255 stations to be uniquely addressed (0x00 to 0xFE). The broadcast address 0xFF is used to send messages to all of the connected stations.

For reception, FICP control register 1 (ICCR1) is used to program a unique receive address. The AME bit in the FICP control register 0 (ICCR0) determines the address match function. The received frames' addresses are stored in the receive FIFO with normal data.

11.2.4 Control Field

The control field is an optional 8-bit field that is defined by software. The FICP does not provide hardware decode support for the control byte. It treats all bytes between the address and the CRC as data.

11.2.5 Data Field

The data field can have a length from 0 to 2045 bytes. Application requirements and target system's transmission characteristics affect the data field's length. Software must determine the length of the data to maximize the amount that can be transmitted in each frame while allowing the CRC to detect all errors during transmission. The serial port does not contain hardware that restricts the maximum amount of data that can be transmitted or received. If a data field that is not a multiple of eight bits is received, an abort is signalled.

11.2.6 CRC Field

The FICP uses a 32-bit Cyclic Redundancy Check (CRC) to detect bit errors that occur during transmission. The CRC is generated from the address, control, and data fields, and is included in each frame. Transmit and receive logic have separate CRC generators. The CRC computation logic is set to all ones before each frame is transmitted or received and the result is inverted before it is used for comparison or transmission. The transmitter calculates a CRC as data is transmitted and places the inverse of the resulting 32-bit value at the end of each frame until the stop flag is transmitted. The receiver also calculates a CRC and inverts it for each data frame that it receives. The receiver compares the calculated CRC to the expected CRC value at the end of each frame.

If the calculated value does not match the expected value, the CRC error bit that corresponds to the last data byte received is set. When this byte reaches the trigger level range, an interrupt is generated.

Note: Unlike the address, control, and data fields, the 32-bit inverted CRC value is transmitted and received most significant nibble first.

The cyclic redundancy checker uses the 32-term polynomial:

$$CRC(x) = (x^{32} + x^{26} + x^{23} + x^{22} + x^{16} + x^{12} + x^{11} + x^{10} + x^8 + x^7 + x^5 + x^4 + x^2 + x + 1)$$

11.2.7 Baud Rate Generation

The baud rate is derived by dividing a fixed 48-MHz clock by six. Using a digital PLL, the 8-MHz baud (or timeslot) clock for the receive logic is synchronized with the 4PPM data stream each time a transition is detected on the receive data line. To encode a 4-Mbps data stream, the required chip frequency is 2.0 MHz, with four timeslots per chip at a frequency of 8.0 MHz. Receive data is sampled halfway through each timeslot period by counting three of the six 48-MHz clock periods that make up each timeslot (see [Figure 11-2](#)). The chips are synchronized during the reception preamble. The pattern of four chips repeated 16 times is used to identify the first timeslot (or the beginning of a chip) and resets the 2-bit timeslot counter logic.

11.2.8 Receive Operation

The IrDA standard specifies that all transmission occurs at half-duplex. This restriction forces software to enable one direction at a given time. Either the transmit or receive logic can be enabled, but not both. The FICP's hardware does not impose such a restriction. The software can enable both the transmitter and receiver. This feature is used with the FICP's loopback mode, which internally connects the output of the transmit serial shifter to the input of the receive serial shifter.

After the FICP is enabled, the receiver logic begins and selects an arbitrary chip boundary, uses a serial shifter to receive four incoming 4PPM chips from the receive data pin, and latches and decodes the chips one at a time. If the chips do not have the correct preamble, the timeslot counter's clock skips one 8-MHz period and effectively delays the timeslot count by one. This process is called hunt mode and is repeated until the chips have the correct preamble, which indicates that the timeslot counter is synchronized. The preamble can be repeated as few as 16 times or can be continuously repeated to indicate an idle transmit line.

After 16 preambles are transmitted, the start flag is received. The start flag is eight chips long. If any portion of the start flag does not match the encoding, the receive logic signals a framing error and the receive logic returns to hunt mode.

When the correct start flag is recognized, each following group of four chips is decoded into a data byte and placed in a 5-byte temporary FIFO that is used to prevent the CRC from being placed in the receive FIFO. When the temporary FIFO is full, data values are transferred to the receive FIFO one at a time. A frame's first data byte is the address. If receiver address matching is enabled, the received address is compared to the address in the address match value field in ICCR1. If the values match or the incoming address contains all ones, all following data bytes, including the address byte, are stored in the receive FIFO. If the values do not match, the receiver logic does not store any data in the receive FIFO, ignores the remainder of the frame, and searches for the next preamble. If receiver address matching is not enabled, the frame's first data byte is stored in the FIFO as normal data. The frame's second data byte can contain an optional control field and must be decoded in software.

The IrDA standard limits frames to any amount of data up to a 2047 bytes (including the address and control bytes). The FICP does not limit frame size. Software must ensure that each incoming frame does not exceed 2047 bytes.

When the receive FIFO reaches its trigger level, an interrupt (if enabled) and DMA transfer request (if no errors are detected in the data) are signalled. If the data is not removed quickly enough to prevent the FIFO from completely filling, the receive logic attempts to place additional data into the full FIFO and an overrun error is signalled. When the FIFO is full, all subsequent data bytes received are lost and all FIFO contents remain intact.

If the data field contains any invalid chips (such as 0011, 1010, 1110) the frame aborts and the oldest byte in the temporary FIFO is moved to the receive FIFO, the remaining temporary FIFO entries are discarded, the end-of-frame (EOF) tag is set in the FIFO entry that holds the last valid byte of data, and the receiver logic searches for the preamble.

The receive logic continuously searches for the 8-chip stop flag. When the stop flag is recognized, the last byte that was placed within the receive FIFO is flagged as the frame's last byte and the data in the temporary FIFO is removed and used as the CRC value for the frame. The receive logic compares the frame's CRC value to the CRC-32 value, which is continuously calculated from the incoming data stream. If CRC and CRC-32 values do not match, the last byte that was placed in the receive FIFO is also tagged with a CRC error. The frame's CRC value is not placed in the receive FIFO. If the stop flag is not properly detected, an abort is signalled.

If software disables the FICP's receiver while it is operating, the data byte being received stops immediately, the serial shifter and receive FIFO are cleared, the System Integration Unit (SIU) takes control of the receive data pin, and the clocks used by the receive logic are shut off to conserve power. The receive data input polarity must be reprogrammed if the receive data pin is used as a GPIO input.

11.2.9 Transmit Operation

Before it enables the FICP for transmission, the software can either preload the transmit FIFO by filling it with data or allow service requests to cause the CPU or DMA to fill the FIFO after the FICP is enabled. When the FICP is enabled, the transmit logic issues a service request if its FIFO requires more data.

A minimum of 16 preambles are transmitted for each frame. If data is not available after the sixteenth preamble, additional preambles are transmitted until a byte of valid data resides in the bottom of the transmit FIFO. The preambles are followed by the start flag and the data from the transmit FIFO. Groups of four chips (eight bits) are encoded and loaded in a serial shift register. The contents of the serial shift register are sent out on the transmit data pin, which is clocked by the 8-MHz baud clock. The preamble, start and stop flags, and CRC value are transmitted automatically.

When the transmit FIFO has 32 or more empty entries, an interrupt (if enabled) and DMA service request are sent. If new data does not arrive quickly enough to prevent the FIFO from becoming empty, the transmit logic attempts to transfer additional data from the empty FIFO. Software determines whether to interpret the data underrun (a lack of data) as a signal of normal frame completion or as an unexpected frame termination.

When software selects normal frame completion and an underrun occurs, the transmit logic transmits the CRC value that was calculated during data transmission, including the address and control bytes, followed by the stop flag that marks the end of the frame. The transmitter then continuously transmits preambles until data is available in the FIFO. When data is available, the transmitter starts to transmit the next frame.

When software selects unexpected frame termination and an underrun occurs, the transmit logic transmits an abort and interrupts the CPU. The transmitter continues to send the abort until data is available in the transmit FIFO. When data is available, the FICP transmits 16 preambles and a start flag and starts the new frame. The off-chip receiver can choose to ignore the abort and continue to receive data or signal the FICP to attempt to transmit the aborted frame again.

At the end of each transmitted frame, the FICP sends a pulse called the serial infrared interaction pulse (SIP). A SIP must be sent at least every 500 ms to ensure that low-speed devices (115.2 Kbps and slower) do not interfere with devices that transmit at higher speeds. The SIP simulates a start bit that causes low-speed devices to stay off the air for at least another 500 ms. The SIP pulse forces the transmit data pin high for 1.625 μ s and low for 7.375 μ s (the total SIP period is 9.0 μ s). After the SIP period, the preamble is transmitted continuously to indicate to the off-chip receiver that the FICP's transmitter is in the idle state. The preamble is transmitted until new data is available in the transmit FIFO or the FICP's transmitter is disabled. At least one frame must be completed every 500 ms to ensure that an SIP pulse can keep low-speed devices from interrupting the transmission. Because most IrDA compatible devices produce an SIP after each frame transmitted, software only needs to ensure that a frame is either transmitted or received by the FICP every 500 ms. Frame length does not represent a significant portion of the 500 ms timeframe in which an SIP must be produced. At 4.0 Mbps, the longest frame allowed is 16,568 bits, which takes just over 4 ms to transmit. The FICP also issues an SIP when the transmitter is first enabled. This ensures that low-speed devices do not interfere as the FICP transmits its data.

If software disables the FICP's transmitter during operation, data transmission stops immediately, the serial shifter and transmit FIFO are cleared, and the SIU takes control of the transmit data pin. The transmit data output's polarity must be properly reprogrammed if the pin is used as a GPIO output.

11.2.10 Transmit and Receive FIFOs

The transmit FIFO is 128 entries deep and 8 bits wide. The receive FIFO is 128 entries deep, 11 bits wide. The receive FIFO uses 3 bits of its entries as status bits. The transmit FIFO and the receive FIFO use two separate, dedicated DMA requests.

When the transmit FIFO has 32 or more empty bytes, the transmit DMA request and an interrupt (if enabled) are generated and tell the processor to send more data to the FIFO. When the transmit FIFO is full, any more data from the processor is lost. When the receive FIFO reaches its trigger level (programmed in ICCR2), the receive DMA request (if no errors are found within the entries) and an interrupt (if enabled) are generated and tell the processor to remove the data from the FIFO. If an error is found in the FIFO's trigger level range, DMA requests are disabled and an interrupt is generated to ensure that the DMAC does not read the error bytes.

The number of bytes being transferred for each DMA request is programmed in the DMAC and can be 8, 16, or 32 bytes. The receive FIFO's trigger level must be set so the FIFO has enough data for the DMAC to read. The transmit FIFO does not have programmable trigger levels. Its DMA request is generated when the FIFO has 32 or more empty bytes, regardless of the DMA transfer size.

The DMA controller must not service the receive FIFO when the processor tries to respond to a receive error interrupt. The error interrupt may be set high before the DMA controller finishes the previous request. The processor can not remove the error bytes until the DMAC has completed its transaction.

11.2.11 Trailing or Error Bytes in the Receive FIFO

When the number of bytes in the receive FIFO is less than the trigger level and no more data is being received, the bytes in the FIFO are called trailing bytes. Trailing bytes do not trigger a receive DMA request. Instead they trigger the end/error in FIFO, ICSR0[EIF] interrupt, which is nonmaskable. When ICSR0[EIF] is set, DMA requests are disabled. The core must read bytes from the FIFO until ICSR0[EIF] is cleared.

The core must also read bytes from the FIFO until ICSR0[EIF] is cleared if there are errors in FIFO entries below the DMA trigger level. When the entries below the DMA trigger level no longer contain status flags, DMA requests are enabled.

11.3 FICP Register Definitions

The FICP has six registers: three control registers, one data register, and two status registers. The FICP registers are 32 bits wide, but only the lower 8 bits have valid data. The FICP does not support byte or half-word operations. CPU reads and writes to the FICP registers must be word wide.

The control registers determine: IrDA transmission rate, address match value, how transmit FIFO underruns are handled, normal or active low transmit and receive data, whether transmit and receive operations are enabled, the FIFO interrupt service requests, receive address matching, and loopback mode.

The data register addresses the top of the transmit FIFO and the bottom of the receive FIFO. Reads to the data register access the receive FIFO. Writes to the data register access the transmit FIFO.

The status registers contain: CRC, overrun, underrun, framing, and receiver abort errors; the transmit FIFO service request; the receive FIFO service request; and end-of-frame conditions. Each of these hardware-detected events signals an interrupt request to the interrupt controller. The status registers also contain flags for transmitter busy, receiver synchronized, receive FIFO not empty, and transmit FIFO not full (no interrupt generated).

11.3.1 FICP Control Register 0 (ICCR0)

The ICCR0, shown in Table 11-2, contains eight valid bit fields that control various functions for 4 Mbps IrDA transmission. The FICP must be disabled (RXE=TXE=0) when ICCR0[ITR] and ICCR0[LBM] are changed. To allow various modes to be changed during active operation, ICCR0[7:2] may be written when the FICP is enabled.

This is a read/write register. Ignore reads from reserved bits. Write zeros to reserved bits.

Table 11-2. ICCR0 Bit Definitions (Sheet 1 of 2)

0x4080_0000		Fast Infrared Communication Port Control Register 0 (ICCR0)								Fast Infrared Communication Port																						
Bit	31	30	29	28	27	26	25	24	23	22	21	20	19	18	17	16	15	14	13	12	11	10	9	8	7	6	5	4	3	2	1	0
	reserved																							AME	TIE	RIE	RXE	TXE	TUS	LBM	ITR	
Reset	0	0	0	0	0	0	0	0	0	0	0	0	0	0	0	0	0	0	0	0	0	0	0	0	0	0	0	0	0	0	0	0
Bits	Name	Description																														
[31:8]	—	reserved																														
7	AME	Address match enable. Receive logic will compare the address of the incoming frames to the Address Match Value field in ICCR1. 0 = Disable receiver address match function. Store data in receive FIFO. 1 = Enable receiver address match function. Do not put data in the receive FIFO unless address is recognized or address is the broadcast address.																														
6	TIE	Transmit FIFO interrupt enable. 0 = Transmit FIFO service request, ICSR0[TFS], does not generate an interrupt. 1 = Transmit FIFO service request generates an interrupt. Setting TIE does not clear TFS or prevent TFS from being set or cleared by the transmit FIFO. TIE does not affect transmit FIFO DMA requests.																														
5	RIE	Receive FIFO interrupt enable. 0 = Receive FIFO service request, ICSR0[RFS], does not generate an interrupt. 1 = Receive FIFO service request generates an interrupt Setting RIE does not clear RFS or prevent RFS from being set or cleared by the receive FIFO. RIE does not affect receive FIFO DMA requests.																														
4	RXE	Receive enable. 0 = FICP receive logic disabled. 1 = FICP receive logic enabled if ICCR0[ITR] is set. All other control bits must be configured before setting RXE. If RXE is cleared while receiving data then reception is stopped immediately, all data within the receive FIFO and serial input shifter is cleared, and control of the receive data pin is given to the SIU. While communication is normally half-duplex, it is possible to transmit and receive data at the same time. This is used for testing in Loopback Mode. If RXE is used to clear the receive FIFO, check ICSR1[RNE] to ensure the receive FIFO is clear before re-enabling the receiver.																														

Table 11-2. ICCR0 Bit Definitions (Sheet 2 of 2)

0x4080_0000		Fast Infrared Communication Port Control Register 0 (ICCR0)																Fast Infrared Communication Port														
Bit	31	30	29	28	27	26	25	24	23	22	21	20	19	18	17	16	15	14	13	12	11	10	9	8	7	6	5	4	3	2	1	0
	reserved																								AME	TIE	RIE	RXE	TXE	TUS	LBM	ITR
Reset	0	0	0	0	0	0	0	0	0	0	0	0	0	0	0	0	0	0	0	0	0	0	0	0	0	0	0	0	0	0	0	0
Bits	Name	Description																														
3	TXE	<p>Transmit enable.</p> <p>0 = FICP transmit logic disabled. 1 = FICP transmit logic enabled if ICCR0[ITR] is set.</p> <p>All other control bits must be configured before TXE is set. An SIP is transmitted immediately after the transmitter is enabled. If the transmit FIFO is empty, preambles are sent until data is placed in the FIFO.</p> <p>If TXE is cleared while it transmits data, transmission stops immediately, all data in the transmit FIFO and serial output shifter is cleared, and the SIU takes control of the transmit data pin.</p> <p>While communication is normally half-duplex, it is possible to transmit and receive data at the same time. Duplex communication is used for testing in Loopback Mode.</p> <p>If TXE is used to clear the transmitter, check ICSR1[TBY] to ensure the transmitter is not busy before the transmitter is re-enabled.</p>																														
2	TUS	<p>Transmit FIFO underrun select.</p> <p>A transmit FIFO underrun can either end the current frame normally, or transmit an abort.</p> <p>0 = Transmit FIFO underrun causes CRC, stop flag, and SIP to be transmitted, and masks transmit underrun interrupt generation. 1 = Transmit FIFO underrun causes abort to be transmitted, and generates an interrupt.</p> <p>Clearing ICCR0[TUS] does not affect the current state of ICSR0[TUR] or prevent TUR from being set or cleared by the transmit FIFO. After an abort, a SIP is transmitted followed by 16 preambles. Preambles continue until data is in the FIFO.</p>																														
1	LBM	<p>Loopback mode.</p> <p>Used for testing FICP.</p> <p>0 = Normal FICP operation enabled. 1 = Output of transmit serial shifter is connected to input of receive serial shifter.</p>																														
0	ITR	<p>IrDA transmission.</p> <p>0 = ICP unit is not enabled. 1 = ICP unit is enabled.</p>																														

11.3.2 FICP Control Register 1 (ICCR1)

The ICCR1, shown in Table 11-3, contains the 8-bit address match value field that the FICP uses to selectively receive frames. To allow the address match value to be changed during active receive operation, ICCR1 may be written while the FICP is enabled.

This is a read/write register. Ignore reads from reserved bits. Write zeros to reserved bits.

Table 11-3. ICCR1 Bit Definitions

0x4080_0004		Fast Infrared Communication Port Control Register 1 (ICCR1)								Fast Infrared Communication Port																						
Bit	31	30	29	28	27	26	25	24	23	22	21	20	19	18	17	16	15	14	13	12	11	10	9	8	7	6	5	4	3	2	1	0
	reserved																AMV															
Reset	0	0	0	0	0	0	0	0	0	0	0	0	0	0	0	0	0	0	0	0	0	0	0	0	0	0	0	0	0	0	0	0
Bits	Name		Description																													
[31:8]	—		reserved																													
[7:0]	AMV		Address match value. The 8-bit value used by receiver logic to compare to address of incoming frames. If AME=1 and AMV matches the address of the incoming frame, store the frame address, control, and data in receive FIFO. If the address does not match, ignore the frame and search for the next preamble. The broadcast address 0xFF in the incoming frame always generates a match.																													

11.3.3 FICP Control Register 2 (ICCR2)

The ICCR2, shown in Table 11-4, contains two bit fields that control the polarity of the transmit and receive data pins and two bits that determine the trigger level for the receive FIFO. The FICP must be disabled (RXE=TXE=0) when these bits are changed.

This is a read/write register. Ignore reads from reserved bits. Write zeros to reserved bits.

Table 11-4. ICCR2 Bit Definitions

0x4080_0008		Fast Infrared Communication Port Control Register 2 (ICCR2)																Fast Infrared Communication Port																
Bit	31	30	29	28	27	26	25	24	23	22	21	20	19	18	17	16	15	14	13	12	11	10	9	8	7	6	5	4	3	2	1	0		
	reserved																											RXP	TXP	TRIG				
Reset	0	0	0	0	0	0	0	0	0	0	0	0	0	0	0	0	0	0	0	0	0	0	0	0	0	0	0	0	0	0	1	1	0	0
Bits	Name	Description																																
[31:4]	—	reserved																																
3	RXP	Receive pin polarity select. 0 = Data from the receive data pin is inverted before being used by the FICP unit. 1 = Data from the receive data pin to the FICP unit is not inverted. Set on reset.																																
2	TXP	Transmit pin polarity select. 0 = Data from the FICP is inverted before being sent to the transmit data pin. 1 = Data from the FICP is not inverted before being sent to the transmit data pin. Set on reset.																																
[1:0]	TRIG	Receive FIFO trigger level The receive FIFO generates service requests when the FIFO has reached the trigger level and has no errors in its data. The DMA controller data transfer size must be set to the same size as the Receive FIFO trigger level. To change the trigger level, the Receive FIFO must be disabled. 0b00- receive FIFO service request is generated when the FIFO has 8 bytes or more 0b01- receive FIFO service request is generated when the FIFO has 16 bytes or more 0b10- receive FIFO service request is generated when the FIFO has 32 bytes or more 0b11- reserved																																

11.3.4 FICP Data Register (ICDR)

The ICDR, shown in Table 11-5, is a 32-bit register and its lower 8 bits are the top entry of the transmit FIFO when the register is written and the bottom entry of the receive FIFO when the register is read.

Reads to ICDR access the lower 8 bits of the receive FIFO's bottom entry. As data enters the top of the receive FIFO, bits 8 – 10 are used as tags to indicate conditions that occur as each piece of data is received. The tag bits are transferred down the FIFO with the data byte that encountered the condition. When data reaches the bottom of the FIFO, bit 8 of the FIFO entry is transferred to the end-of-frame (EOF) flag, bit 9 to the CRC error (CRE) flag, and bit 10 to the receiver overrun (ROR) flag. All these flags are in FICP status register 1. These flags can be read to determine whether the value at the bottom of the FIFO represents the frame's last byte or an error that was encountered during reception. After the flags are checked, the FIFO value can be read. This causes the data in the next location of the receive FIFO to be transferred to the bottom entry and its EOF, CRE, and ROR bits to be transferred to the status register.

The end/error in FIFO (EIF) flag is set in status register 0 when a tag bit is set in any of the receive FIFO's bottom eight, 16, or 32 entries, as determined by the trigger level. The EIF flag is cleared when no error bits are set in the FIFO's bottom entries. When EIF is set, an interrupt is generated and the receive FIFO DMA request is disabled. Software must empty the FIFO and check for the EOF, CRE, and ROR error flags in ICSR1 before it removes each data value from the FIFO. After each entry is removed, the EIF bit must be checked to determine if any set end or error tag remains and the procedure is repeated until all set tags are flushed from the FIFO's bottom entries. When EIF is cleared, DMA service for the receive FIFO is re-enabled.

Both FIFOs are cleared when the processor is reset. The transmit FIFO is cleared when TXE is 0. The receive FIFO is cleared when RXE is 0.

This is a read/write register. Ignore reads from reserved bits. Write zeros to reserved bits.

Table 11-5. ICRD Bit Definitions

0x4080_000C		Fast Infrared Communication Port Data Register (ICDR)	Fast Infrared Communication Port
Bit	31 30 29 28 27 26 25 24 23 22 21 20 19 18 17 16 15 14 13 12 11 10 9 8 7 6 5 4 3 2 1 0	reserved	DATA
Reset	0 0		
Bits	Name	Description	
[31:8]	—	reserved	
[7:0]	DATA	Top/bottom of transmit/receive FIFO. Read - Read data from front of receive FIFO Write - Place data at end of transmit FIFO	

11.3.5 FICP Status Register 0 (ICSR0)

The ICSR0, shown in Table 11-6, contains bits that signal the transmit FIFO service request, receive FIFO service request, receiver abort, transmit FIFO underrun, framing error, and the end/error in receive FIFO conditions. Each of these hardware-detected events signal an interrupt request to the interrupt controller.

If a bit signals an interrupt request, it signals the interrupt request as long as the bit is set. When the bit is cleared, the interrupt is cleared. Read/write bits are called status bits. Read-only bits are called flags. Status bits that must be cleared by software after they are set by hardware are called sticky status bits. Writing a 1 to a sticky status bit clears it. Writing a 0 to a sticky status bit has no effect. Read-only flags are set and cleared by hardware. Writes to read-only flags have no effect. Some bits that cause interrupts have corresponding mask bits in the control registers.

This is a read/write register. Ignore reads from reserved bits. Write zeros to reserved bits.

Table 11-6. ICSR0 Bit Definitions (Sheet 1 of 2)

0x4080_0014		Fast Infrared Communication Port Status Register 0 (ICSR0)										Fast Infrared Communication Port																				
Bit	31	30	29	28	27	26	25	24	23	22	21	20	19	18	17	16	15	14	13	12	11	10	9	8	7	6	5	4	3	2	1	0
	reserved																								FRE	RFS	TFS	RAB	TUR	EIF		
Reset	0	0	0	0	0	0	0	0	0	0	0	0	0	0	0	0	0	0	0	0	0	0	0	0	0	0	0	0	0	0	0	
Bits	Name		Description																													
[31:6]	—		reserved																													
5	FRE		Framing error. 0 = No framing errors encountered in the receipt of this data. 1 = Framing error occurred. A preamble was followed by something other than another preamble or start flag, request interrupt.																													
4	RFS		Receive FIFO service request (read-only). 0 = Receive FIFO has not reached its trigger level or receiver disabled. 1 = Receive FIFO has reached its trigger level and receiver is enabled. DMA service request signalled. Interrupt request signalled if not masked by ICCR0[RIE].																													
3	TFS		Transmit FIFO service request (read-only). 0 = Transmit FIFO has more than 96 entries of data or transmitter disabled. 1 = Transmit FIFO has 96 or less entries of data and transmitter is enabled. DMA service request signalled. Interrupt request signalled if not masked by ICCR0[TIE].																													

Table 11-6. ICSR0 Bit Definitions (Sheet 2 of 2)

		0x4080_0014																Fast Infrared Communication Port Status Register 0 (ICSR0)										Fast Infrared Communication Port					
Bit		31	30	29	28	27	26	25	24	23	22	21	20	19	18	17	16	15	14	13	12	11	10	9	8	7	6	5	4	3	2	1	0
		reserved																										FRE	RFS	TFS	RAB	TUR	EIF
Reset		0	0	0	0	0	0	0	0	0	0	0	0	0	0	0	0	0	0	0	0	0	0	0	0	0	0	0	0	0	0	0	0
Bits	Name	Description																															
2	RAB	Receiver abort. 0 = No abort has been detected for the incoming frame. 1 = Abort detected during receipt of incoming frame. Two or more chips containing no pulses or any invalid chips were detected on the receive pin. EOF bit set on last piece of "good" data received before the abort, interrupt requested.																															
1	TUR	Transmit FIFO underrun. 0 – Transmit FIFO has not experienced an underrun. 1 – Transmit logic attempted to fetch data from transmit FIFO while it was empty. Interrupt request signalled if not masked by ICCR0[TUS]. Underruns are not generated when the FICP transmitter is first enabled and is idle.																															
0	EIF	End/error in FIFO (read-only). 0 – Bits 8–10 are not set within any of the entries at or below the trigger level of the receive FIFO. Receive FIFO DMA service requests are enabled. 1 – One or more tag bits (8 – 10) are set within the entries at or below the trigger level of the receive FIFO. Request interrupt, disable receive FIFO DMA service requests. This interrupt is not maskable in the FICP. Once the bad bytes have been removed from the FIFO and EIF is cleared, DMA requests are automatically enabled.																															

11.3.6 FICP Status Register 1 (ICSR1)

ICSR1, shown in Table 11-7, contains flags that indicate that the receiver is synchronized, the transmitter is active, the transmit FIFO is not full, the receive FIFO is not empty, and that an EOF, CRE, or underrun error has occurred.

This is a read-only register. Ignore reads from reserved bits.

Table 11-7. ICSR1 Bit Definitions

0x4080_0018		Fast Infrared Communication Port Status Register 1 (ICSR1)										Fast Infrared Communication Port																				
Bit	31	30	29	28	27	26	25	24	23	22	21	20	19	18	17	16	15	14	13	12	11	10	9	8	7	6	5	4	3	2	1	0
	reserved																							ROR	CRE	EOF	TNF	RNE	TBY	RSY		
Reset	0	0	0	0	0	0	0	0	0	0	0	0	0	0	0	0	0	0	0	0	0	0	0	0	0	0	0	0	1	0	0	0
Bits	Name	Description																														
[31:7]	—	reserved																														
6	ROR	Receive FIFO overrun (read-only). 0 = Receive FIFO has not experienced an overrun. 1 = Receive logic attempted to place data into receive FIFO while it was full. Data received after the FIFO is full are lost. Each time an 11-bit value reaches the bottom of the receive FIFO, bit 10 from the last FIFO entry is transferred to the ROR bit.																														
5	CRE	CRC error (read-only). 0 = CRC not encountered yet or no CRC check errors encountered in the receipt of data. 1 = CRC calculated on the incoming data. Does not match CRC value contained within the received frame. Each time an 11-bit value reaches the bottom of the receive FIFO, bit 9 from the last FIFO entry is transferred to the CRE bit.																														
4	EOF	End of frame (read-only). 0 = Current frame has not completed. 1 = The value at the bottom of the receive FIFO is the last byte of data within the frame, including aborted frames. Each time an 11-bit value reaches the bottom of the receive FIFO, bit 8 from the last FIFO entry is transferred to the EOF bit.																														
3	TNF	Transmit FIFO not full (read-only). 0 = Transmit FIFO is full. 1 = Transmit FIFO is not full (no interrupt generated).																														
2	RNE	Receive FIFO not empty (read-only). 0 = Receive FIFO is empty. 1 = Receive FIFO is not empty (no interrupt generated).																														
1	TBY	Transmitter busy flag (read-only). 0 = Transmitter is idle (continuous preambles) or disabled. 1 = Transmit logic is currently transmitting a frame (address, control, data, CRC, or start/stop flag). No interrupt generated.																														
0	RSY	Receiver synchronized flag (read-only). 0 = Receiver is in hunt mode or is disabled. 1 = Receiver logic is synchronized with the incoming data (no interrupt generated).																														

11.4 FICP Register Summary

Table 11-8 shows the registers associated with the FICP block and the physical addresses used to access them.

Table 11-8. FICP Register Summary

Address	Name	Description
0x4080_0000	ICCR0	FICP control register 0
0x4080_0004	ICCR1	FICP control register 1
0x4080_0008	ICCR2	FICP control register 2
0x4080_000C	ICDR	FICP data register
0x4080_0010	—	reserved
0x4080_0014	ICSR0	FICP status register 0
0x4080_0018	ICSR1	FICP status register 1

This section describes the Universal Serial Bus (USB) protocol and its implementation-specific options for device controllers for the PXA255 processor. These options include endpoint number, type, and function; interrupts to the core; and a transmit/receive FIFO interface. A working knowledge of the USB standard is vital to using this section effectively. The Universal Serial Bus Device Controller (UDC) is USB-compliant and supports all standard device requests issued by the host. UDC operation summaries and quick reference tables are provided. Refer to the *Universal Serial Bus Specification*, revision 1.1, for a full description of the USB protocol. The *Universal Serial Bus Specification* is available at <http://www.usb.org>.

12.1 USB Overview

The UDC supports 16 endpoints and can operate half-duplex at a rate of 12 Mbps (as a slave only, not as a host or hub controller). The UDC supports four device configurations. Configurations 1, 2, and 3 each support two interfaces. Alternate interface settings are not supported. This allows the host to accommodate dynamic changes in the physical bus topology. A configuration is a specific combination of USB resources available on the device. An interface is a related set of endpoints that present a device feature or function to the host.

The UDC transmits serial information that contains layers of communication protocols. Fields are the most basic protocol. UDC fields include: sync, packet identifier (PID), address, endpoint, frame number, data, and Cyclic Redundancy Check (CRC). Fields are combined to produce packets. A packet's function determines the combination and number of fields that make up the packet. Packet types include: token, start of frame, data, and handshake. Packets are assembled into groups to produce transactions. Transactions fall into four groups: bulk, control, interrupt, and isochronous. Endpoint 0 is used only to communicate the control transactions that configure the UDC. Endpoint 0's responsibilities include: connection, address assignment, endpoint configuration, bus enumeration, and disconnection.

The UDC uses a dual-port memory to support FIFO operations. Each Bulk and Isochronous Endpoint FIFO structure is double buffered to enable the endpoint to process one packet as it assembles another. The DMA and the Megacell can fill and empty the FIFOs. An interrupt or DMA service request is generated when a packet has been received. The DMA engine services the UDC FIFOs in 32-byte increments. Interrupts are also generated when the FIFO encounters a short packet or zero-length packet. Endpoint 0 has a 16-entry long, 8-bit wide FIFO that can only be read or written by the processor.

For endpoints 1-15, the UDC uses its dual-ported memory to hold data for a Bulk OUT transaction while the transaction is checked for errors. If the Bulk OUT transaction data is invalid, the UDC sends a NAK handshake to request the host to resend the data. The software is not notified that the OUT data is invalid until the Bulk OUT data is received and verified. If the host sends a NAK handshake in response to a Bulk IN data transmission, the UDC resends the data. Because the FIFO maintains a copy of the data, the software does not have to reload the data.

The external pins dedicated to the UDC interface are UDC+ and UDC-. The USB protocol uses differential signalling between the two pins for half-duplex data transmission. A 1.5 k Ω pull-up resistor must be connected to the USB cable's D+ signal to pull the UDC+ pin high when it is not driven. Pulling the UDC+ pin high when it is not driven allows the UDC to be a high-speed,

12-Mbps device and provides the correct polarity for data transmission. The serial bus uses differential signalling to transmit multiple states simultaneously. These states are combined to produce transmit data and various bus conditions, including: Idle, Resume, Start of Packet, End of Packet, Disconnect, Connect, and Reset.

12.2 Device Configuration

Table 12-1 shows the device's configuration.

Table 12-1. Endpoint Configuration

Endpoint Number	Type	Function	FIFO Size (bytes) X number of FIFOs
0	Control	IN/OUT	16
1	Bulk	IN	64x2
2	Bulk	OUT	64x2
3	Isochronous	IN	256x2
4	Isochronous	OUT	256x2
5	Interrupt	IN	8
6	Bulk	IN	64x2
7	Bulk	OUT	64x2
8	Isochronous	IN	256x2
9	Isochronous	OUT	256x2
10	Interrupt	IN	8
11	Bulk	IN	64x2
12	Bulk	OUT	64x2
13	Isochronous	IN	256x2
14	Isochronous	OUT	256x2
15	Interrupt	IN	8

Data flow is relative to the USB host. IN packets represent data flow from the UDC to the host. OUT packets represent data flow from the host to the UDC.

The FIFOs for the Bulk and Isochronous endpoints are double-buffered so one packet can be processed as the next is assembled. While the UDC transmits an IN packet from a particular endpoint, the Megacell can load the same endpoint for the next frame transmission. While the Megacell unloads an OUT endpoint, the UDC can continue to process the next incoming packet to that endpoint.

12.3 USB Protocol

After a core reset or when the USB host issues a USB reset, the UDC configures all endpoints and is forced to use the USB default address, zero. After the UDC configures the endpoints, the host assigns the UDC a unique address. At this point, the UDC is under the host's control and responds to commands that use control transactions to transmit to endpoint 0.

12.3.1 Signalling Levels

USB uses differential signalling to encode data and to indicate various bus conditions. The USB specification refers to the J and K data states to differentiate between high- and low-speed transmissions. Because the UDC supports only 12 Mbps transmissions, references are only made to actual data state 0 and actual data state 1.

By decoding the polarity of the UDC+ and UDC- pins and using differential data, four distinct states are represented. Two of the four states are used to represent data. A 1 indicates that UDC+ is high and UDC- is low. A 0 indicates that UDC+ is low and UDC- is high. The two remaining states and pairings of the four encodings are further decoded to represent the current state of the USB.

Table 12-2 shows how differential signalling represents eight different bus states.

Table 12-2. USB States

Bus State	UDC+/UDC- Pin Levels
Idle	UDC+ high, UDC- low (same as a 1).
Suspend	Idle state for more than 3 ms.
Resume	UDC+ low, UDC- high (same as a 0).
Start of Packet	Transition from idle to resume.
End of Packet	UDC+ AND UDC- low for 2 bit times followed by an idle for 1 bit time.
Disconnect	UDC+ AND UDC- below single-ended low threshold for more than 2.5 μ s. (Disconnect is the static bus condition that results when no device is plugged into a hub port.)
Connect	UDC+ OR UDC- high for more than 2.5 μ s.
Reset	UDC+ AND UDC- low for more than 2.5 μ s. (Reset is driven by the host controller and sensed by a device controller.)

Hosts and hubs have pull-down resistors on both the D+ and D- lines. When a device is not attached to the cable, the pull-down resistors cause D+ and D- to be pulled down below the single-ended low threshold of the host or hub. This creates a state called single-ended zero (SE0). The host detects a disconnect when an SE0 persists for more than 2.5 μ s (30 bit times). When the UDC is connected to the USB cable, the pull-up resistor on the UDC+ pin causes D+ to be pulled above the single-ended high threshold level. After 2.5 μ s, the host detects a connect.

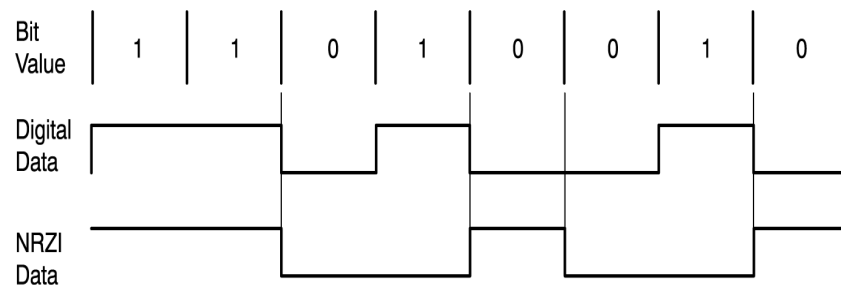
After the host detects a Connect, the bus is in the Idle state because UDC+ is high and UDC- is low. The bus transitions from the Idle state to the Resume state (a 1 to 0 transition) to signal the Start of Packet (SOP). Each USB packet begins with a Sync field that starts with the 1-to-0 transition (see Section 12.3.1). After the packet data is transferred, the bus signals the End of Packet (EOP) state by pulling both UDC+ and UDC- low for 2 bit times followed by an Idle state for 1 bit time. If the idle persists for more than 3 ms, the UDC enters Suspend state and is placed in low-power mode. The host can awaken the UDC from the Suspend state by signalling a reset or by switching the bus to the resume state via normal bus activity. Under normal operating conditions, the host periodically signals an Start of Frame (SOF) to ensure that devices do not enter the suspend state.

12.3.2 Bit Encoding

USB uses nonreturn to zero inverted (NRZI) to encode individual bits. Both the clock and the data are encoded and transmitted in the same signal. Data is represented by transitions rather than by the signal's state. A zero is represented by a transition, and a one is represented by no transition, which produces the data. Each time a zero occurs, the receiver logic synchronizes the baud clock to the

incoming data, which produces the clock. To ensure the receiver is periodically synchronized, six consecutive ones in the serial bit stream trigger the transmitter to insert a zero. This procedure is known as bit stuffing. The receiver logic detects stuffed bits and removes them from incoming data. Bit stuffing causes a transition on the incoming signal at least once every 7 bit times to ensure the baud clock is locked. Bit stuffing is enabled for an entire packet from the time the SOP is detected until the EOP is detected (enabled during the Sync field through the CRC field). Figure 12-1 shows the NRZI encoding of the data byte 0b1101 0010.

Figure 12-1. NRZI Bit Encoding Example



12.3.3 Field Formats

Individual bits are assembled into groups called fields. Fields are used to construct packets and packets are used to construct frames or transactions. There are seven USB field types: Sync, PID, Address, Endpoint, Frame Number, Data, and CRC.

A Sync is preceded by the Idle state and is the first field of every packet. The first bit of a Sync field signals the SOP to the UDC or host. A Sync is 8 bits wide and consists of seven zeros followed by a one (0x80). Bits are transmitted to the bus least significant bit first in every field, except the CRC field.

The PID is 1 byte wide and always follows the sync field. The first four bits contain an encoded value that represents packet type (Token, Data, Handshake, and Special), packet format, and type of error detection. The last four bits contain a check field that ensures the PID is transmitted without errors. The check field is generated by performing a ones complement of the PID. The UDC XORs the PID and CRC fields and takes the action prescribed in the USB standard if the result does not contain all ones, which indicates an error has occurred in transmission.

The Address and Endpoint fields are used to access the UDC's 16 endpoints. The Address field contains seven bits and permits 127 unique devices to be placed on the USB. After the USB host signals a reset, the UDC and all other devices are assigned the default address, zero. The host is then responsible for assigning a unique address to each device on the bus. Addresses are assigned in the enumeration process, one device at a time. After the host assigns the an address to the UDC, the UDC only responds to transactions directed to that address. The Address field follows the PID in every packet transmitted.

When the UDC detects a packet that is addressed to it, it uses the Endpoint field to determine which of the UDC's endpoints is being addressed. The Endpoint field contains four bits. Encodings for endpoints 0 (0000b) through 15 (1111b) are allowed. The Endpoint field follows the Address field.

The Frame Number is an 11-bit field incremented by the host each time a frame is transmitted. When it reaches its maximum value, 2047 (0x7FF), its value rolls over. Frame Number is transmitted in the SOF packet, which the host outputs in 1 ms intervals. Device controllers use the Frame Number field to control isochronous transfers. Data fields are used to transmit the packet data between the host and the UDC. A data field consists of 0 to 1023 bytes. Each byte is transmitted least significant bit first. The UDC generates an interrupt to indicate that a Start of Frame event has occurred.

CRC fields are used to detect errors introduced during token and data packet transmission, and are applied to all the fields in the packet except the PID field. The PID contains its own 4-bit ones complement check field for error detection. Token packets use a 5-bit CRC (x^5+x^2+1) called CRC5 and Data packets use a 16-bit CRC ($x^{16}+x^{15}+x^2+1$) called CRC16. For both CRCs, the checker resets to all ones at the start of each packet.

12.3.4 Packet Formats

USB supports four packet types: Token, Data, Handshake, and Special. A PRE (Preamble) PID precedes a low-speed (1.5 Mbps) USB transmission. The UDC supports high-speed (12 Mbps) USB transfers only. PRE packets that signify low-speed devices and the low-speed data transfer that follows such PRE packets are ignored.

12.3.4.1 Token Packet Type

A Token packet is placed at the beginning of a frame and is used to identify OUT, IN, SOF, and SETUP transactions. OUT and IN frames are used to transfer data, SOF packets are used to time isochronous transactions, and SETUP packets are used for control transfers to configure endpoints. A Token packet consists of a sync, a PID, an address, an endpoint, and a CRC5 field (see [Table 12-3](#)). For OUT and SETUP transactions, the address and endpoint fields are used to select the UDC endpoint that receives the data. For an IN transaction, the address and endpoint fields are used to select the UDC endpoint that transmits data.

Table 12-3. IN, OUT, and SETUP Token Packet Format

8 bits	8 bits	7 bits	4 bits	5 bits
Sync	PID	Address	Endpoint	CRC5

12.3.4.2 Start of Frame Packet Type

An SOF is a special type of Token packet that the host issues at a nominal interval of once every 1 ms +/- 0.0005 ms. SOF packets consist of a Sync, a PID, a Frame Number (incremented after each frame is transmitted), and a CRC5 field (see [Table 12-4](#)). The presence of SOF packets every 1 ms prevents the UDC from entering Suspend mode.

Table 12-4. SOF Token Packet Format

8 bits	8 bits	11 bits	5 bits
Sync	PID	Frame Number	CRC5

12.3.4.3 Data Packet Type

Data packets follow Token packets and are used to transmit data between the host and UDC. The PID specifies two types of Data packets: DATA0 and DATA1. These Data packets are used to provide a mechanism to ensure that the data sequence between the transmitter and receiver is synchronized across multiple transactions. During the handshake phase, the transmitter and receiver determine which data token type to transmit first. For each subsequent packet transmitted, the data packet type is toggled (DATA0, DATA1, DATA0, and so on). A Data packet consists of a Sync, a PID, from 0 to 1023 bytes of data, and a CRC16 field (see [Table 12-5](#)). The UDC supports a maximum of eight bytes of data for an Interrupt IN data payload, a maximum of 64 bytes of data for a Bulk data payload and a maximum of 256 bytes of data for an Isochronous data payload.

Table 12-5. Data Packet Format

8 bits	8 bits	0–1023 bytes	16 bits
Sync	PID	Data	CRC16

12.3.4.4 Handshake Packet Type

Handshake packets consist of a Sync and a PID. Handshake packets do not contain a CRC because the PID contains its own check field. Handshake packets are used to report data transaction status, including confirmation that data was successfully received, flow control, and stall conditions. Only transactions that support flow control can return handshakes. The three types of handshake packets are: ACK, NAK, and STALL. ACK indicates that a data packet was received without bit stuffing, CRC, or PID check errors. NAK indicates that the UDC was unable to accept data from the host or has no data to transmit. STALL indicates that the UDC was unable to transmit or receive data, and requires host intervention to clear the stall condition. The receiving unit signals Bit stuffing, CRC, and PID errors by omitting a handshake packet. [Table 12-6](#) shows the format of a handshake packet.

Table 12-6. Handshake Packet Format

8 bits	8 bits
Sync	PID

12.3.5 Transaction Formats

Packets are assembled into groups to form transactions. The USB protocol uses four different transaction formats. Each transaction format is specific to a particular type of endpoint: Bulk, Control, Interrupt, or Isochronous. Endpoint 0, by default, is a control endpoint and receives only control transactions. All USB transactions are initiated by the host controller and transmitted in one direction at a time (known as half-duplex) between the host and UDC.

12.3.5.1 Bulk Transaction Type

Bulk transactions guarantee error-free data transmission between the host and UDC by using packet error detection and retry. The host schedules bulk packets when the bus has available time. Bulk transactions are made up of three packet types: Token, Data, and Handshake. The eight types of bulk transactions are based on data direction, error, and stall conditions. The types of bulk transactions are shown in [Table 12-7](#). Packets sent from the UDC to the host are highlighted in boldface type and packets sent from the host to the UDC are not.

Table 12-7. Bulk Transaction Formats

Action	Token Packet	Data Packet	Handshake Packet
Host successfully received data from UDC	IN	DATA0/DATA1	ACK
UDC temporarily unable to transmit data	IN	None	NAK
UDC endpoint needs host intervention	IN	None	STALL
Host detected PID, CRC, or bit stuff error	IN	DATA0/DATA1	None
UDC successfully received data from host	OUT	DATA0/DATA1	ACK
UDC temporarily unable to receive data	OUT	DATA0/DATA1	NAK
UDC endpoint needs host intervention	OUT	DATA0/DATA1	STALL
UDC detected PID, CRC, or bit stuff error	OUT	DATA0/DATA1	None
Packets from UDC to host are boldface			

12.3.5.2 Isochronous Transaction Type

Isochronous transactions ensure constant rate, error-tolerant transmission of data between the host and UDC. The host schedules isochronous packets during every frame. USB protocol allows isochronous transfers to take up to 90% of the USB bandwidth. Unlike bulk transactions, if corrupted data is received, the UDC will continue to process the corrupted data that corresponds to the current start of frame indicator. Isochronous transactions do not support a handshake phase or retry capability. Two packet types are used to construct isochronous transactions: token and data. The types of isochronous transactions based on data direction are shown in [Table 12-8](#).

Table 12-8. Isochronous Transaction Formats

Action	Token Packet	Data Packet
Host received data from UDC	IN	DATA0
UDC received data from host	OUT	DATA0
Packets from UDC to host are boldface		

12.3.5.3 Control Transaction Type

The host uses control transactions to configure endpoints and query their status. Like bulk transactions, control transactions begin with a setup packet, followed by an optional data packet, then a handshake packet. Control transactions, by default, use DATA0 type transfers. [Table 12-9](#) shows the four types of control transactions.

Table 12-9. Control Transaction Formats

Action	Token Packet	Data Packet	Handshake Packet
UDC successfully received control from host	SETUP	DATA0	ACK
UDC temporarily unable to receive data	SETUP	DATA0	NAK
UDC endpoint needs host intervention	SETUP	DATA0	STALL
UDC detected PID, CRC, or bit stuff error	SETUP	DATA0	None
Packets from UDC to host are boldface			

To assemble control transfers, the host sends a control transaction to tell the UDC what type of control transfer is taking place (control read or control write), followed by one or more data transactions. The setup is the first stage of the control transfer. The device must respond with an ACK or no handshake (if the data is corrupted). The control transaction, by default, uses a DATA0 transfer and each subsequent data transaction toggles between DATA1 and DATA0 transfers. A control write to an endpoint uses OUT transactions. Control reads use IN transactions. The transfer direction is the opposite of the last data transaction. The transfer direction is used to report status and functions as a handshake. For a control write, the last transaction is an IN from the UDC to the host. For a control read, the last transaction is an OUT from the host to the UDC. The last data transaction always uses a DATA1 transfer, even if the previous transaction used DATA1.

12.3.5.4 Interrupt Transaction Type

The host uses interrupt transactions to query the status of the device. Like bulk transactions, interrupt transactions begin with a setup packet, followed by an optional data packet, then a handshake packet. Interrupt transactions, by default, use DATA0 type transfers. Figure 12-10 shows the four types of interrupt transactions.

Table 12-10. Interrupt Transaction Formats

Action	Token Packet	Data Packet	Handshake Packet
Host successfully received data from UDC	IN	DATA0	ACK
UDC temporarily unable to transmit data	IN	None	NAK
UDC endpoint needs host intervention	IN	None	STALL
Host detected PID, CRC, or bit stuff error	IN	DATA0	None
Packets from UDC to host are boldface			

12.3.6 UDC Device Requests

The UDC uses its control, status, and data registers to control and monitor the transmit and receive FIFOs for endpoints 1 - 15. The host controls all other UDC configuration and status reporting using device requests that are sent as control transactions to endpoint 0 via the USB. Each setup packet to Endpoint 0 is 8 bytes long and specifies:

- Data transfer direction: host to device, device to host
- Data transfer type: standard, class, vendor
- Data recipient: device, interface, endpoint, other
- Number of bytes to transfer
- Index or offset
- Value: used to pass a variable-sized data parameter
- Device request

Table 12-11 shows a summary of all device requests. Refer to the *Universal Serial Bus Specification Revision 1.1* for a full description of host device requests.

Table 12-11. Host Device Request Summary

Request	Name
SET_FEATURE	Enables a specific feature such as device remote wake-up or endpoint stalls.
CLEAR_FEATURE	Clears or disables a specific feature.
SET_CONFIGURATION	Configures the UDC for operation. Used after a reset of the Megacell or after a reset has been signalled via the USB.
GET_CONFIGURATION	Returns the current UDC configuration to the host.
SET_DESCRIPTOR	Sets existing descriptors or add new descriptors. Existing descriptors include: device, configuration, string, interface, and endpoint.
GET_DESCRIPTOR	Returns the specified descriptor, if it exists.
SET_INTERFACE	Selects an alternate setting for the UDC's interface.
GET_INTERFACE	Returns the selected alternate setting for the specified interface.
GET_STATUS	Returns the UDC's status including: remote wake-up, self-powered, data direction, endpoint number, and stall status.
SET_ADDRESS	Sets the UDC's 7-bit address value for all future device accesses.
SYNCH_FRAME	Sets then reports an endpoint's synchronization frame.

The UDC decodes most standard device commands with no intervention required by the user. The following commands are not passed to the user: Set Address, Set Feature, Clear Feature, Get Configuration, Get Status, Get Interface, and Sync Frame. The Set Configuration and Set Interface commands are passed to the user to indicate that the host set the specified configuration or interface and the software must take any necessary actions. Alternate interfaces settings are not supported; the host must set the alternate settings field in SET_INTERFACE requests to zero. If the UDC receives a SET_INTERFACE request with the alternate settings field non-zero, the UDC responds with a STALL. The Get Descriptor and Set Descriptor commands are passed to the user to be decoded.

Because the Set Feature and Clear Feature commands are not passed on, the user is not able decode the device remote wakeup feature commands. To solve this problem, the status bit UDCCS0:DRWF indicates whether or not the device remote wakeup feature is enabled. UDCCS0:DRWF is a read-only bit. When the bit is set to 1, the device remote wakeup feature is enabled. When the bit is set to 0, the feature is not enabled.

12.3.7 Configuration

In response to the GET_DESCRIPTOR command, the user device sends back a description of the UDC configuration. The UDC can physically support more data channel bandwidth than the USB specification allows. When the device responds to the host, it must specify a legal USB configuration. For example, if the device specifies a configuration of six isochronous endpoints of 256 bytes each, the host is not be able to schedule the proper bandwidth and does not take the UDC out of Configuration 0. The user device determines which endpoints to report to the host. If an endpoint is not reported, it is not used. Another option, attractive for use with isochronous endpoints, is to describe a configuration of a packet with a maximum size less than 256 bytes to the host. For example, if software responds to the GET_DESCRIPTOR command that Endpoint 3 only supports 64 bytes maximum packet Isochronous IN data, the user device must set the UDCCS3[TSP] bit after it loads 64 bytes for transmission. Similarly, if Endpoint 4 is described as supporting 128 bytes maximum packet Isochronous OUT data, the UDC recognizes the end of the packet, sets UDCCS4[RPC], and an interrupt is generated.

The direction of the endpoints is fixed. Physically, the UDC only supports interrupt endpoints with a maximum packet size of 8 bytes or less, bulk endpoints with a maximum packet size of 64 bytes or less, and isochronous endpoints with a maximum packet size of 256 bytes or less.

To make the processor more adaptable, the UDC supports a total of four configurations. Each of these configurations are identical in the UDC, software can make three distinct configurations, each with two interfaces. Configuration 0 is a default configuration of Endpoint 0 only and cannot be defined as any other arrangement.

After the host completes a SET_CONFIGURATION or SET_INTERFACE command, the software must decode the command to empty the OUT endpoint FIFOs and allow the Megacell to set up the proper power/peripheral configurations.

12.4 UDC Hardware Connection

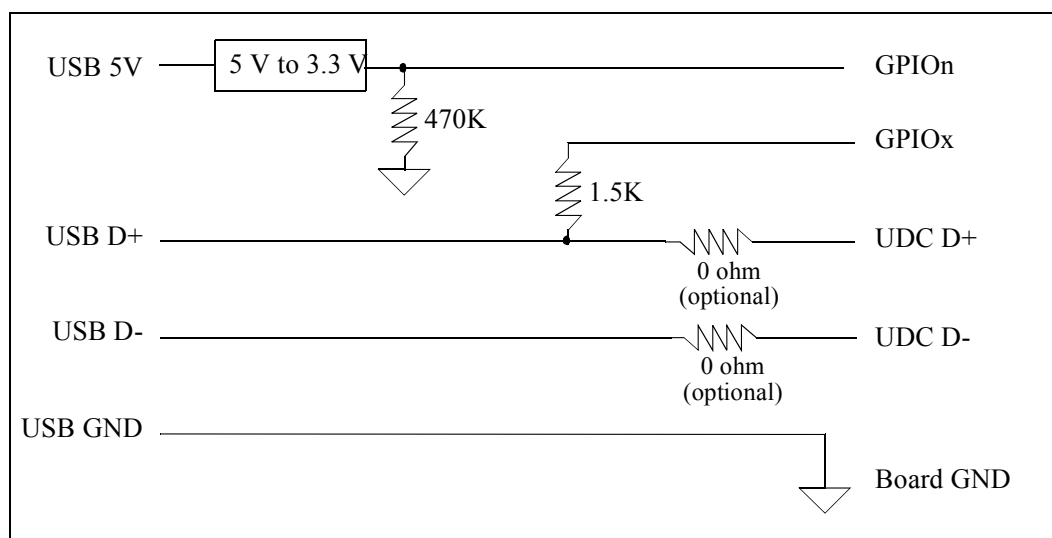
This section explains how to connect the USB interface for a variety of devices.

12.4.1 Self-Powered Device

Figure 12-2 shows how to connect the USB interface for a self-powered device. The 0 Ω resistors are optional and if they are not used, USB D+ must connect directly to the device UDC D+ and connect USB D- must connect directly to the device UDC D-. The UDC D+ and UDC D- pins are designed to match the impedance of a USB cable, 90 Ω , without external series resistors. To allow minor impedance corrections to compensate for the impedance that results from the board trace, 0 Ω resistors are recommended on the board.

The “5 V to 3.3 V” device is required because the input pins of the processor can only tolerate 3.3 V. The device can be implemented in a number of ways. The most robust and expensive solution is a Power-On-Reset device such as a MAX6348. This solution produces a clean signal edge and minimizes signal bounce. A more inexpensive solution is a 3.3 V line buffer with inputs that can tolerate 5 V. This solution does not reduce signal bounce, so software must compensate by reading the GPIO repeatedly until it proves to be stable. A third solution is a signal bounce minimization circuit that can tolerate 5 V but produces a 3.3 V signal to the GPIO pin.

Figure 12-2. Self-Powered Device



12.4.1.1 When GPIO_n and GPIO_x are Different Pins

The GPIO_n and GPIO_x pins can be any GPIO pins. GPIO_n must be a GPIO that can wake the device from sleep mode. After a reset, GPIO_x is configured as an input. This causes the UDC+ line to float. GPIO_n is configured to act as an input and to cause an interrupt on a rising or falling edge. When an interrupt occurs, software must read the GPIO_n pin to determine if the cable is connected. The GPIO_n pin is set to a 1 when the cable is connected and a 0 when the cable is disconnected. When a USB connect is detected, software must enable the UDC peripheral and drive a 1 to the GPIO_x pin to indicate to the host PC that a high-speed USB device is connected. When a USB disconnect is detected, software must configure the GPIO_x pin as an input, configure the GPIO_n pin to detect a wakeup event, and put the disconnected peripheral in sleep mode, if desired.

If software must put a peripheral in sleep mode, it configures the GPIO_x pin as an input. This causes the UDC+ line to float, which appears to be a disconnect to the host PC. The peripheral is put in sleep mode. When the peripheral comes out of sleep mode, software must drive a 1 to the GPIO_x pin to indicate to the host PC that a high-speed USB peripheral is connected.

12.4.1.2 When GPIO_n and GPIO_x are the Same Pin

After a reset, GPIO_n is configured to act as an input and to cause an interrupt on a rising or falling edge. When an interrupt occurs, software must read the GPIO_n pin to determine if the cable is connected. GPIO_n is set to a 1 when the cable is connected and a 0 when the cable is disconnected. If a USB connect is detected, software must enable the UDC peripheral before the host PC sends the first USB command. If a USB disconnect is detected, software must configure the GPIO_n pin to detect a wakeup event and put the peripheral in sleep mode, if desired.

When GPIO_n and GPIO_x are the same pin, do not put a peripheral in sleep mode if the USB cable is connected to the device. During sleep, the USB controller is in reset and does not respond to the host PC. When it returns from sleep mode, the peripheral does not respond to its host-assigned address.

12.4.2 Bus-Powered Devices

The processor does not support bus-powered devices because it is required to consume less than 500 μA when the host issues a suspend (see Section 7.2.3 of the *USB Specification*, version 1.1). The processor cannot limit the amount of current it consumes to 500 μA unless it enters sleep mode. When processor enters sleep mode it resets the USB registers and does not respond to its host-assigned address.

12.5 UDC Operation

When a USB interrupt is received, software is directed to the USB ISR. USIR is level sensitive. Be sure to clear USIR as the last step before exiting the ISR. Upon exiting the ISR, the user should always clear the interrupt source bit, then clear the USIR. On power up or after a reset, software initially enables only EP0 interrupt. The other interrupts are enabled as required by the SET_CONFIG command.

12.5.1 Case 1: EP0 Control Read

1. When software starts, it initializes a software state machine to EP0_IDLE. The software state machine is used to track endpoints stages when software communicates with the host PC.
2. The host PC sends a SETUP command.
3. UDC generates an EP0 Interrupt.
4. Software determines that the UDCCS0[SA] and UDCCS0[OPR] bits are set. This indicates that a new OUT packet is in the EP0 Buffer and identifies a SETUP transaction.
5. Software reads the data into a buffer while UDCCS0[RNE] bit (receiver not empty) is set.
6. Software parses the command in the buffer and determines that it is a Control Read.
7. Software starts to load the UDDR0 register FIFO with the first data packet and sets the internal state machine to EP0_IN_DATA_PHASE.
8. After it reads and parses the data, software clears the UDCCS0[SA] and the UDCCS0[OPR] bits and sets the UDCCS0[IPR] bit, if transmitting less than MAX_PACKET bytes, which prompts the UDC to transmit the data on the next IN. The UDC sends NAKs to all requests on this EP until the UDCCS0[IPR] bit is set.
9. Software clears the UDC interrupt bit and returns from the interrupt service routine.
10. The host PC issues an IN packet, which the UDC sends data back to the host. After the host PC sends an ACK to the UDC, the UDC clears the UDCCS0[IPR] bit and generates an interrupt.
11. Software enters the ISR routine and examines its internal state machine. It determines that it is in the EP0_IN_DATA_PHASE state and must transmit more data. Software loads the next amount of data, sets the UDCCS0[IPR] bit if necessary, and returns from the interrupt. The internal state machine is not affected.
12. Repeat Steps 10 and 11 until all the data is transmitted or the last data packet is a short packet.
13. If the last packet software sends is a short packet, it sets its internal state machine to EP0_END_XFER. If the last data packet ends on a 16-byte boundary, software sets UDCCS0[IPR] to send a zero-length packet without loading data in the FIFO. After it sends the zero-length packet, software sets the internal state machine to EP0_END_XFER.

14. When the host executes the STATUS OUT stage (zero-length OUT), the UDC sets the UDCCS0[OPR] bit, which causes an interrupt.
15. Software enters the ISR routine and determines that the UDCCS0[OPR] bit is set, the UDCCS0[SA] bit is clear, and its internal state machine is EP0_END_XFER. Software clears the UDCCS0[OPR] bit and transfers its internal state machine to EP0_IDLE.
16. Software clears the UDC interrupt bit and returns from the interrupt service routine.

If the host sends another SETUP command during these steps, the software must terminate the first SETUP command and start the new command.

12.5.2 Case 2: EP0 Control Read with a Premature Status Stage

Case 2 occurs during an enumeration cycle when the host PC sends a premature status stage during a Get Device Descriptor command.

1. When software starts, it initializes a software state machine to EP0_IDLE. The software state machine is used to track endpoints stages when software communicates with the host PC.
2. The host PC sends a SETUP command.
3. UDC generates an EP0 Interrupt.
4. Software determines that the UDCCS0[SA] and UDCCS0[OPR] bits are set. This indicates that a new OUT packet is in the EP0 Buffer and identifies a SETUP transaction.
5. Software reads the data into a buffer while UDCCS0[RNE] bit (receiver not empty) is set.
6. Software parses the command in the buffer and determines that it is a Control Read.
7. Software starts to load the UDDR0 register FIFO with the first data packet and sets the internal state machine to EP0_IN_DATA_PHASE.
8. After it reads and parses the data, software clears the UDCCS0[SA] and the UDCCS0[OPR] bits and sets the UDCCS0[IPR] bit, if transmitting less than MAX_PACKET bytes, which prompts the UDC to transmit the data on the next IN. The UDC sends NAKs to all requests on this EP until the UDCCS0[IPR] bit is set.
9. Software clears the UDC interrupt bit and returns from the interrupt service routine.
10. The host PC issues an IN packet, which the UDC sends back to the host. After the host PC sends an ACK to the UDC, the UDC clears the UDCCS0[IPR] bit and generates an interrupt.
11. Software enters the ISR routine and examines its internal state machine. It determines that it is in the EP0_IN_DATA_PHASE state and must transmit more data. Software loads the next amount of data, sets the UDCCS0[IPR] bit, if transmitting less than MAX_PACKET bytes, and returns from the interrupt. The internal state machine is not affected.
12. Repeat Steps 10 and 11 until all the data is transmitted or the last data packet is a short packet.
13. As Steps 10 and 11 are repeated, the host sends a premature STATUS OUT stage, which indicates that the host PC can not accept more data, instead of an IN packet.
14. When the EP0 interrupt occurs, software determines that the UDCCS0[OPR] bit is set, the UDCCS0[SA] bit is cleared, and its machine state is EP0_IN_DATA_PHASE. This indicates that a premature STATUS OUT occurred.
15. Software clears the UDCCS0[OPR] bit and changes the pin's state to EP0_IDLE. The software writes to the UDCCS0[FTF] bit to clean up any buffer pointers and empty the transmit FIFO.

16. Software clears the UDC interrupt bit and returns from the interrupt service routine.

If the host sends another SETUP command during these steps, the software must terminate the first SETUP command and start the new command.

12.5.3 Case 3: EP0 Control Write With or Without a Premature Status Stage

1. When software starts, it initializes a software state machine to EP0_IDLE. The software state machine is used to track stages when software communicates with the host PC.
2. The host PC sends a SETUP command.
3. UDC generates an EP0 Interrupt.
4. Software determines that the UDCCS0[SA] and UDCCS0[OPR] bits are set. This indicates that a new OUT packet is in the EP0 Buffer and identifies a SETUP transaction.
5. Software reads the data into a buffer while UDCCS0[RNE] bit (receiver not empty) is set.
6. Software parses the command in the buffer and determines that it is a Control Write (such as Set Descriptor).
7. Software sets the internal to EP0_OUT_DATA_PHASE and clears the UDCCS0[OPR] and UDCCS0[SA] bits.
8. To allow a premature STATUS IN stage, software sets the UDCCS0[IPR] bit and loads a zero-length packet in the transmit FIFO.
9. Software clears the UDC interrupt bit and returns from the interrupt service routine.
10. The host PC issues an OUT packet and the UDC issues an EP0 interrupt.
11. Software enters the ISR routine and determines that it is in the EP0_OUT_DATA_PHASE state, the UDCCS0[OPR] bit is set, and the UDCCS0[SA] bit is clear. This indicates that there is more data to receive.
12. Software reads the data into a buffer while UDCCS0[RNE] bit is set and clears the UDCCS0[OPR] bit.
13. Software sets the UDCCS0[IPR] bit to allow a premature STATUS IN stage.
14. Software clears the UDC interrupt bit and returns from the interrupt service routine.
15. Steps 11 through 14 are repeated until all of the data is received.
16. As Steps 11 through 14 are repeated, the host sends a STATUS IN stage, which indicates that the host PC can not send more data, instead of an OUT packet. The STATUS IN stage may be premature or not.
17. Because software loaded a zero-length packet (see Step 8), the UDC responds to the STATUS IN by sending a zero-length packet back to the host PC. This causes an interrupt.
18. Software enters the ISR routine and determines that it is in the EP0_OUT_DATA_PHASE state and the UDCCS0[OPR] and UDCCS0[IPR] bits are clear. This indicates that a STATUS IN stage occurred.
19. Software determines how many bytes were received before the interrupt and compares the number of received bytes to the wLength field in the original SETUP packet. If the correct amount of data was sent, software parses the data and performs the action the data indicates. If

the wrong amount of data was sent, software cleans up any buffer pointers and disregards the received data.

20. Software changes its internal state machine to EP0_IDLE.
21. Software clears the UDC interrupt bit and returns from the interrupt service routine.

If the host sends another SETUP command during these steps, the software must terminate the first SETUP command and start the new command.

12.5.4 Case 4: EP0 No Data Command

1. When software starts, it initializes a software state machine to EP0_IDLE. The software state machine is used to track stages when software communicates with the host PC.
2. The host PC sends a SETUP command.
3. UDC generates an EP0 Interrupt.
4. Software determines that the UDCCS0[SA] and UDCCS0[OPR] bits are set. This indicates that a new OUT packet is in the EP0 Buffer and identifies a SETUP transaction.
5. Software reads the data into a buffer while UDCCS0[RNE] bit (receiver not empty) is set.
6. Software parses the data in the buffer and determines that it is a No Data command.
7. Software executes the command and sets its internal state machine to EP0_IDLE. Software clears the UDCCS0[IPR] and UDCCS0[SA] bits. If the command is a No-Data-Phase Standard command, then do not set the UDCCS0[IPR] bit. If the command is not a No-Data-Phase Standard command, e.g a No-Data-Phase Vendor command or No-Data-Phase Class command, then software must set the UDCCS0[IPR] bit.
8. When the host PC executes the STATUS IN stage, the UDC sends back a zero-length packet, which indicates a successful handshake. This does not cause an interrupt.

If the host sends another SETUP command during these steps, the software must terminate the first SETUP command and start the new command.

12.5.5 Case 5: EP1 Data Transmit (BULK-IN)

The procedure in Case 5 can also be used to operate Endpoints 6 and 11.

In Case 5, the Transmit Short Packet is only set if a packet size of less than 64 bytes is sent. If the packet size is 64 bytes, the system arms when the 64th byte is loaded. Loading the 64th byte and setting the UDCCS1[TSP] bit produces one 64-byte packet and one zero-length packet.

When software receives a SETUP VENDOR command to set up an EP1 BULK IN transaction, it may take one of two courses of action, as appropriate for the chosen operating model:

- Configure the DMA engine and disable the EP1 interrupt to allow the DMA engine to handle the transaction.
- Enable the EP1 interrupt to allow the Megacell to directly handle the transaction.

12.5.5.1 Software Enables the DMA

If software enables the DMA engine, use the following steps:

1. During the SETUP VENDOR command, software enables the DMA engine and masks the EP1 interrupt. The DMA start address must be aligned on a 16-byte boundary.
 - a. If the packet size is 64 bytes, software transfers the all the data in one DMA descriptor and sets the UDCCS1[TSP] bit in the second DMA descriptor.
 - b. If the packet size is less than 64 bytes, software sets up a string of descriptors in which the odd numbered descriptors point to the data and the even numbered descriptors are writes to the UDCCS1[TSP] bit.
2. The host PC sends a BULK-IN and the UDC sends a data packet back to the host PC.
3. The UDC generates an interrupt that is masked from the Megacell.
4. The DMA engine fills the EP1 data FIFO (UDDR1) with data and sets the UDCCS1[TSP] bit if the data packet is a short packet.
5. Steps 2 through 4 repeat until all the bulk data is sent to the host PC.

12.5.5.2 Software Enables the EP1 Interrupt

If software enables the EP1 interrupt to allow the Megacell to directly handle the transaction:

1. During the SETUP VENDOR command, software fills the EP1 data FIFO (UDDR1) with data and clears the UDCCS1[TPC] bit. If the data packet is a short packet, software also sets the UDCCS1[TSP] bit.
2. The host PC sends a BULK-IN and the UDC sends a data packet back to the host PC and generates an EP1 Interrupt.
3. Software fills the EP1 data FIFO (UDDR1) with data and clears the UDCCS1[TPC] bit. If the data packet is a short packet, software also sets the UDCCS1[TSP] bit.
4. Return from interrupt.
5. Steps 2 through 4 repeat until all of the data is sent to the host PC.

12.5.6 Case 6: EP2 Data Receive (BULK-OUT)

This procedure can also be used to operate Endpoints 7 and 12.

When software receives a SETUP VENDOR command to set up an EP2 BULK OUT transaction, it may take one of two courses of action, as appropriate for the chosen operating model:

- Enable the DMA engine to handle the transaction.
- Allow the Megacell to directly handle the transaction.

12.5.6.1 Software Enables the DMA

If software enables the DMA engine to handle the transaction:

1. During the SETUP VENDOR command, software sets up the DMA engine and sets the UDCCS2[DME] bit.
 - a. If the packet size is 32 or 64 bytes, software sets up a string of descriptors, each with a length of modulo 32 or 64. Software sets the interrupt bit for the appropriate descriptor.
 - b. If the packet size is less than 32 bytes, software uses interrupt mode.

2. The host PC sends a BULK-OUT.
3. The DMA engine reads data from the EP2 data FIFO (UDDR2).
4. Steps 2 and 3 repeat until all the data has been read from the host.
5. If the software receives an EP2 interrupt it completes the following process:
 - a. If UDCCS2[RNE] is clear and UDCCS2[RSP] is set, the data packet was a zero-length packet.
 - b. If UDCCS2[RNE] is set, the data packet was a short packet and software must use the UDCWC2 count register to read the proper amount of data from the EP2 data FIFO (UDDR2).
 - c. Software clears the UDCCS2[RPC] bit.
6. Return from interrupt.

12.5.6.2 Software Allows the Megacell to Handle the Transaction

If software allows the Megacell to handle the transaction:

1. During the SETUP VENDOR command, software clears the UDCCS2[DME] bit.
2. The host PC sends a BULK-OUT and the UDC generates an EP2 Interrupt.
3. If UDCCS2[RNE] is clear and UDCCS2[RSP] is set, the data packet was a zero-length packet.
4. If UDCCS2[RNE] is set, software uses the UDCWC2 count register to read the proper amount of data from the EP2 data FIFO (UDDR2).
5. Software clears the UDCCS2[RPC] bit.
6. Return from interrupt.
7. Steps 2 through 6 repeat until all the data has been read from the host.

12.5.7 Case 7: EP3 Data Transmit (ISOCRONOUS-IN)

The procedure in Case 7 can also be used to operate Endpoints 8 and 13.

In Case 7, the Transmit Short Packet is only set if a packet size of less than 256 bytes is sent. If the packet size is 256 bytes, the system arms when the 256th byte is loaded. Loading the 256th byte and setting the UDCCS3[TSP] bit produces one 256-byte packet and one zero-length packet.

When software receives a SETUP VENDOR command to set up an EP3 ISOCRONOUS IN transaction, it may take one of three courses of action, as appropriate for the chosen operating model:

- Configure the DMA engine and disable the EP3 interrupt to allow the DMA engine to handle the transaction.
- Enable the EP3 interrupt to allow the Megacell to directly handle the transaction.
- Enable the SOF interrupt to handle the transaction on a frame count basis.

12.5.7.1 Software Enables DMA

If software enables the DMA engine to handle the transaction:

1. During the SETUP VENDOR command, software enables the DMA engine and masks the EP3 interrupt. The DMA start address must be aligned on a 16-byte boundary.
 - a. If the packet size is 256 bytes, software transfers the all the data in one DMA descriptor.
 - b. If the packet size is less than 256 bytes, software sets up a string of descriptors in which the odd numbered descriptors point to the data and the even numbered descriptors are writes to the UDCCS1[TSP] bit.
2. The host PC sends an ISOC-IN and the UDC sends a data packet back to the host PC.
3. The UDC generates an interrupt that is masked from the Megacell.
4. The DMA engine fills the EP3 data FIFO (UDDR3) with data and sets the UDCCS3[TSP] bit if the data packet is a short packet.
5. Steps 2 through 4 repeat until all the data has been sent to the host.

12.5.7.2 Software Enables the EP3 Interrupt

If software enables the EP3 interrupt to allow the Megacell to directly handle the transaction:

1. During the SETUP VENDOR command, software fills the EP3 data FIFO (UDDR3) with data and clears the UDCCS3[TPC] bit. If the data packet is a short packet, software also sets the UDCCS3[TSP] bit.
2. The host PC sends a ISOC-IN command and the UDC sends a data packet back to the host PC and generates an EP3 Interrupt.
3. Software fills the EP3 data FIFO (UDDR3) with data and clears the UDCCS3[TPC] bit. If the data packet is a short packet, software also sets the UDCCS3[TSP] bit.
4. Return from interrupt.
5. Steps 2 through 4 repeat until all of the data is sent to the host PC.

12.5.7.3 Software Enables the SOF Interrupt

If software enables the SOF interrupt to handle the transaction on a frame count basis:

1. Software disables the UDCCS3 Interrupt by setting UICR0[IM3] to a 1 and enables the SOF interrupt in the UFNHR register by setting UFNHR[SIM] to a 0.
2. When the host PC sends an SOF, the UDC sets the UFNHR[SIR] bit, which causes an SOF interrupt.
3. Software checks the UDCCS3[TFS] bit to determine if there is room for a data packet. If there is room, software fills the EP3 data FIFO (UDDR3) with data and clears the UDCCS3[TPC] bit. If the data packet is a short packet, software sets the UDCCS3[TSP] bit.
4. Software clears the UFNHR[SIR] bit.
5. Return from interrupt.
6. Steps 2 through 5 repeat until all the data is sent to the host PC.

12.5.8 Case 8: EP4 Data Receive (ISOCYRONOUS-OUT)

The procedure in Case 8 can also be used to operate Endpoints 9 and 14.

When software receives a SETUP_VENDOR command to set up an EP4 ISOCRONOUS OUT transaction, it may take one of three courses of action, as appropriate for the chosen operating model:

- Configure the DMA engine and disable the EP4 interrupt to allow the DMA engine to handle the transaction.
- Enable the EP4 interrupt to allow the Megacell to directly handle the transaction.
- Enable the SOF interrupt to handle the transaction on a frame count basis.

12.5.8.1 Software Enables the DMA

If software enables the DMA engine, use the following steps:

1. During the SETUP_VENDOR command, software enables the DMA engine and sets the UDCCS4[DME] bit. ISO packet sizes are not restricted, but a packet size of modulo 32 is highly recommended efficiency.
 - a. If the packet size is between 32 and 256 bytes modulo 32, software determines the number of descriptors needed and sets up a string of descriptors. Software sets the interrupt bit for the appropriate descriptor.
 - b. If the packet size is between 32 bytes and 256 bytes, but not modulo 32 bytes, software sets up a descriptor to receive each data packet, then reads the remaining data on each UDCCS2[RSP] bit interrupt and sets up another descriptor.
 - c. If the packet size is less than 32 bytes, software must use interrupt mode.
2. The host PC sends a ISOC-OUT.
3. The DMA engine reads the data from the EP4 data FIFO (UDDR4).
4. Steps 2 and 3 repeat until all the data has been read from the host.
5. If the software receives an EP4 interrupt it completes the following process:
 - a. If UDCCS4[RNE] is clear and UDCCS4[RSP] is set, the data packet was a zero-length packet.
 - b. If UDCCS4[RNE] is set, the data packet was a short packet and software uses the UDCWC4 count register to read the proper amount of data from the EP4 data FIFO (UDDR4).
 - c. Software clears the UDCCS4[RPC] bit.
6. Return from interrupt.

12.5.8.2 Software Allows the Megacell to Handle the Transaction

If software allows the Megacell to handle the transaction:

1. During the SETUP_VENDOR command, software clears the UDCCS4[DME] bit.
2. The host PC sends a ISOC-OUT and the UDC generates an EP4 Interrupt.
3. If UDCCS4[RNE] is clear and UDCCS4[RSP] is set, the data packet was a zero-length packet.
4. If UDCCS4[RNE] is set, software uses the UDCWC4 count register to read the proper amount of data from the EP4 data FIFO (UDDR4).
5. Software clears the UDCCS4[RPC] bit.

6. Return from interrupt.
7. Steps 2 through 6 repeat until all the data has been read from the host.

12.5.8.3 Software Enables the SOF Interrupt

If software enables the SOF interrupt to handle the transaction on a frame count basis:

1. Software disables the UDCCS4 Interrupt by setting UICR0[IM4] to a 1 and enables the SOF interrupt in the UFNHR register by setting UFNHR[SIM] to a 0.
2. When the host PC sends an SOF, the UDC sets the UFNHR[SIR] bit, which causes an SOF interrupt.
3. If UDCCS4[RNE] is clear and UDCCS4[RSP] is clear, no data packet was received.
4. If UDCCS4[RNE] is clear and UDCCS4[RSP] is set, the data packet was a zero-length packet.
5. If UDCCS4[RNE] is set, the data packet was a short packet and software uses the UDCWC4 count register to read the proper amount of data from the EP4 data FIFO (UDDR4).
6. Software clears the UDCCS4[RPC] and UFNHR[SIR] bits.
7. Return from interrupt.
8. Steps 2 through 7 repeat until all the data is sent to the host PC.

12.5.9 Case 9: EP5 Data Transmit (INTERRUPT-IN)

The procedure in Case 9 can also be used to operate Endpoints 10 and 15.

In Case 9, the Transmit Short Packet is only set if a packet size of less than 8 bytes is sent. If the packet size is 8 bytes, the system arms when the 8th byte is loaded. Loading the 8th byte and setting the UDCCS5[TSP] bit produces one 8-byte packet and one zero-length packet.

When software receives a SETUP VENDOR command to set up an EP5 INTERRUPT-IN transaction, it can only allow the Megacell to handle the transaction:

1. During the SETUP VENDOR command, software fills the EP5 data FIFO (UDDR5) with data and clears the UDCCS5[TPC] bit.
2. The host PC sends an INTERRUPT-IN and the UDC generates an EP5 Interrupt.
3. Software fills the EP5 data FIFO (UDDR5) with data and clears the UDCCS5[TPC] bit. If the data packet is a short packet, software also sets the UDCCS5[TSP] bit.
4. Return from interrupt.
5. Steps 2 through 4 repeat until all the data is sent to the host PC.

12.5.10 Case 10: RESET Interrupt

1. After a system reset, software loads the registers with the required values.
2. Software enables the UDC by setting the UDCCR[UDE] bit and immediately reads the UDCCR[UDA] bit to determine if a USB reset is currently on the USB bus.
 - a. If UDCCR[UDA] is a 0, there is currently a USB reset on the bus and software clears the interrupt by writing a 1 to the UDCCR[RSTIR] bit. Software enables future reset interrupts by clearing the UDCCR[REM] bit.

- b. If UDCCR[UDA] is a 1, there is currently no USB reset on the bus and software enables future reset interrupts by clearing the UDCCR[REM] bit.
3. Return from interrupt.
4. The host either asserts a USB reset or negates a USB reset.
5. The UDC generates a Reset Interrupt.
6. Software determines that the UDCCR[RSTIR] bit is set and clears the interrupt by writing a 1 to the UDCCR[RSTIR] bit. Software then examines the UDCCR[UDA] bit to determine the type of reset that took place:
 - a. If UDCCR[UDA] is a 0, a Reset Assertion took place. Software returns from the interrupt and waits for the Reset Negation interrupt.
 - b. If UDCCR[UDA] is a 1, a Reset Negation took place. Software sets any initialization that is necessary.
7. Return from interrupt.

12.5.11 Case 11: SUSPEND Interrupt

1. As software starts, it clears the UDCCR[SRM] bit to allow a USB suspend interrupt.
2. The host PC asserts a USB suspend by stopping activity on the UDC+ and UDC- signals.
3. The UDC generates a Suspend Interrupt.
4. Software determines that the UDCCR[SUSIR] bit is set. This indicates that a USB suspend has occurred and software takes any necessary actions to turn off other peripherals, clean up internal buffers, perform power management, and perform similar functions. Software must not disable the UDC and must not allow the processor to go into sleep mode while the USB cable is attached.

12.5.12 Case 12: RESUME Interrupt

1. As software starts, it clears the UDCCR[SRM] bit to allow a USB resume.
2. The host PC asserts a USB resume by resuming activity after a suspend state on the UDC+ and UDC- signals.
3. The UDC generates a Resume Interrupt.
4. Software determines that the UDCCR[RESIR] bit is set. This indicates that a USB resume has occurred and the OS may take any necessary actions to turn on other peripherals, initialize internal buffers, perform power management, and perform similar functions.

12.6 UDC Register Definitions

All configuration, request/service, and status reporting is controlled by the USB host controller and is communicated to the UDC via the USB. The UDC has registers that control the interface between the UDC and the software. A control register enables the UDC and masks the interrupt sources in the UDC. A status register indicates the state of the interrupt sources. Each of the sixteen endpoints (control, OUT, and IN) have a control or status register. Endpoint 0 (control) has an

address for the 16 x 8 data FIFO that can be used to transmit and receive data. Endpoint 0 also has a write count register that is used to determine the number of bytes the USB host controller has sent to Endpoint 0.

12.6.1 UDC Control Register (UDCCR)

UDCCR, shown in Table 12-12, contains seven control bits: one to enable the UDC, one to show activity, and five to show status and associated control functions.

Table 12-12. UDCCR Bit Definitions

0x 4060_0000		UDCCR		Read/Write and Read-Only																											
Bit	31 30 29 28 27 26 25 24 23 22 21 20 19 18 17 16 15 14 13 12 11 10 9 8 7 6 5 4 3 2 1 0	reserved														REM	RSTIR	SRM	SUSIR	RESIR	RSM	UDA	UDE								
		x	x	x	x	x	x	x	x	x	x	x	x	x	x	x	x	x	x	x	x	x	x	1	0	1	0	0	0	0	0
Bits	Name	Description																													
31:8	—	reserved																													
7	REM	Reset interrupt mask.(read/write) 0 = Reset interrupt enabled. 1 = Reset interrupt disabled.																													
6	RSTIR	Reset interrupt request (read/write 1 to clear). 1 = UDC was reset by the host.																													
5	SRM	Suspend/resume interrupt mask (read/write). 0 = Suspend/resume interrupt enabled. 1 = Suspend/resume interrupt disabled.																													
4	SUSIR	Suspend interrupt request (read/write 1 to clear). 1 = UDC received, suspend signalling from the host.																													
3	RESIR	Resume interrupt request (read/write 1 to clear). 1 = UDC received, resume signalling from the host.																													
2	RSM	Device Resume (read/write 1 to set) 0 = Maintain UDC suspend state 1 = Force UDC out of suspend																													
1	UDA	UDC active (read-only). 0 = UDC currently receiving a USB reset. 1 = UDC currently not receiving a USB reset.																													
0	UDE	UDC enable.(read/write) 0 = UDC disable. 1 = UDC enabled.																													

12.6.1.1 UDC Enable (UDE)

Enables the UDC. When UDE is set to a 1, the UDC is enabled for USB serial transmission or reception. When UDE is set to a 0, the UDC is disabled and the UDC+ and UDC- pins are tristated. This means that the UDC ignores all activity on the USB bus.

If UDE is set to a 0 the entire UDC design is reset. If the reset occurs while the UDC is actively transmitting or receiving data, it stops immediately and the remaining bits in the transmit or receive serial shifter are reset. All entries in the transmit and receive FIFO are also reset.

12.6.1.2 UDC Active (UDA)

This read-only bit can be read to determine if the UDC is currently active or in a USB reset. This bit is only valid when the UDC is enabled. A zero indicates that the UDC is currently receiving a USB reset from the host. A one indicates that the UDC is currently involved in a transaction.

12.6.1.3 UDC Resume (RSM)

When the UDC is in a suspend state, this bit can be written to force the UDC into a non-idle state (K state) for 3 ms to perform a remote wakeup operation. If the host PC does not start a wakeup sequence in 3 ms, the UDC returns to the suspend mode. This bit is a trigger bit for the UDC and is automatically cleared.

12.6.1.4 Resume Interrupt Request (RESIR)

The resume interrupt request bit is set if the SRM bit in the UDC control register is cleared, the UDC is currently in the suspended state, and the USB is driven with resume signalling.

12.6.1.5 Suspend Interrupt Request (SUSIR)

The suspend interrupt request register is set when the USB remains idle for more than 6 ms. The SUSIR bit retains state so software can determine that the USB is idle. If SRM is zero, SUSIR being set will not generate an interrupt but status continues to be updated.

12.6.1.6 Suspend/Resume Interrupt Mask (SRM)

This bit masks or enables the suspend interrupt request to the interrupt controller. When SRM is 1, the interrupt is masked and the setting of SUSIR will not generate an interrupt. When SRM is 0, the setting of SUSIR generates an interrupt when the USB is idle for more than 6ms. Programming SRM does not affect the state of SUSIR.

12.6.1.7 Reset Interrupt Request (RSTIR)

The reset interrupt request register is set when the host issues a reset. When the host issues a reset, the entire UDC is reset. The RSTIR bit retains its state so software can determine that the design was reset. If REM is zero, RSTIR being set does not generate an interrupt but status continues to be updated.

12.6.1.8 Reset Interrupt Mask (REM)

This bit masks or enables the reset interrupt request to the interrupt controller. When REM is 1, the interrupt is masked and the setting of RSTIR does not generate an interrupt. When REM is 0, the RSTIR setting generates an interrupt when the USB host controller issues an UDC reset. Programming REM does not affect the state of RSTIR.

The UDE bit is cleared to zero, which disables the UDC following a Megacell reset. Writes to reserved bits are ignored and reads return zeros.

These are read/write registers. Ignore reads from reserved bits. Write zeros to reserved bits.

12.6.2 UDC Control Function Register (UDCCFR)

The UDC Control Function register (UDCCFR) contains 1 mode bit and 1 enable bit that lets software delay sending back an ACK response to SET_CONFIG or SET_INTERFACE commands from the host. The remaining bits are reserved.

Table 12-13. UDC Control Function Register

		0x 4060_0008	UDCCFR	USB Device Controller																															
Bit		32	31	30	29	28	27	26	25	24	23	22	21	20	19	18	17	16	15	14	13	12	11	10	9	8	7	6	5	4	3	2	1	0	
		Reserved																								AREN	MB1			ACM	MB1				
Reset		X	X	X	X	X	X	X	X	X	X	X	X	X	X	X	X	X	X	X	X	X	X	X	X	X	X	1	1	1	1	1	1	1	1
Bits	Name	Description																																	
31:8	—	Reserved – Read as unknown and must be written as zero.																																	
7	AREN	ACK RESPONSE ENABLE (read/write 1 to set) 0 = Send NAK response to SET_CONFIGURATION and SET_INTERFACE commands 1 = Send ACK response to SET_CONFIGURATION and SET_INTERFACE commands																																	
6:2	MB1	MB1 This bit must be set to 1. 0 = Reserved 1 = Must be configured to 1.																																	
2	ACM	ACK CONTROL MODE (read/write 1 to set) 0 = Send ACK response to SET_CONFIGURATION and SET_INTERFACE commands with no user intervention (B-step default) 1 = Send NAK response to SET_CONFIGURATION and SET_INTERFACE commands until UDCCFR[AREN] = 1																																	
1	MB1	MB1 This bit must be set to 1. 0 = Reserved 1 = Must be configured to 1.																																	

12.6.2.1 ACK Control Mode

The ACK control mode (ACM) bit enables user control of the ACK response to the status IN requests of SET_CONFIGURATION and SET_INTERFACE commands. When ACM is set to 0, the UDC automatically responds to the STATUS IN request following a SET_CONFIGURATION and SET_INTERFACE with an ACK. When ACM is set to 1, the UDC responds to the STATUS IN request following a SET_CONFIGURATION and SET_INTERFACE command with a NAK until AREN is set to 1. When the user sets AREN to 1, the UDC responds with an ACK to the next STATUS IN request.

12.6.2.2 ACK Response Enable

When ACM = 1, the ACK response enable (AREN) bit enables user control of the ACK response to the status IN requests of SET_CONFIGURATION and SET_INTERFACE commands. When ACM is set to 1, the UDC responds to the STATUS IN request following a

SET_CONFIGURAION and SET_INTERFACE command with a NAK until AREN is set to 1. When the user sets AREN to 1, the UDC responds with an ACK to the next STATUS IN request. AREN is cleared by the UDC when another SETUP command is received.

12.6.3 UDC Endpoint 0 Control/Status Register (UDCCS0)

UDCCS0, shown in Table 12-14, contains seven bits that are used to operate endpoint zero, the control endpoint.

Table 12-14. UDCCS0 Bit Definitions

0x 4060_0010		UDCCS0							USB Device Controller																																			
Bit	31	30	29	28	27	26	25	24	23	22	21	20	19	18	17	16	15	14	13	12	11	10	9	8	7	6	5	4	3	2	1	0												
	reserved																SA	RNE	FST	SST	DRWF	FTF	IPR	OPR																				
	x	x	x	x	x	x	x	x	x	x	x	x	x	x	x	x	x	x	x	x	x	x	x	x	0	0	0	0	0	0	0	0	0	0	0									
Bits	Name		Description																																									
0	OPR		OUT packet ready (read/write 1 to clear) 1 = OUT packet ready.																																									
1	IPR		IN packet ready (always read 0/write 1 to set). 1 = IN packet ready.																																									
2	FTF		Flush Tx FIFO (always read 0/write 1 to set) 1 = Flush the contents of Tx FIFO.																																									
3	DRWF		Device remote wakeup feature (read-only) 0 = Device Remote Wakeup Feature is disabled. 1 = Device Remote Wakeup Feature is enabled.																																									
4	SST		Sent stall (read/write 1 to clear). 1 = UDC sent stall handshake																																									
5	FST		Force stall (read/write 1 to set). 1 = Force stall handshake																																									
6	RNE		Receive FIFO not empty (read-only). 0 = Receive FIFO empty. 1 = Receive FIFO not empty.																																									
7	SA		Setup Active (read/write 1 to clear) 1 = Setup command is active on the USB																																									
31:8	—		reserved																																									

12.6.3.1 OUT Packet Ready (OPR)

The OUT packet ready bit is set by the UDC when it receives a valid OUT packet to endpoint zero. When this bit is set, the USIR0[IR0] bit will be set in the UDC status/interrupt register if endpoint zero interrupts are enabled. This bit is cleared by writing a one. The UDC is not allowed to enter the data phase of a transaction until this bit is cleared.

12.6.3.2 IN Packet Ready (IPR)

The IN packet ready bit is set by the core if less than max_packet bytes (16) have been written to the endpoint 0 FIFO to be transmitted. The core must not set this bit if a max_packet is to be transmitted. The UDC clears this bit when the packet has been successfully transmitted, the

UDCCS0[FTF] bit has been set, or a control OUT is received. When this bit is cleared due to a successful IN transmission or the reception of a control OUT, the USIR0[IR0] bit in the UDC interrupt register is set if the endpoint 0 interrupt is enabled via UICR0[IM0]. The Intel XScale® microarchitecture is not able to clear UDCCS0[IPR] and always reads back a zero

When software enables the status stage for Vendor/Class commands and control data commands such as GET_DESCRIPTOR, GET_CONFIGURATION, GET_INTERFACE, GET_STATUS, and SET_DESCRIPTOR, software must also set IPR. The data in the Transmit FIFO must be transmitted and the interrupt must be processed before the IPR is set for the status stage.

The status stage for all other USB Standard Commands that do not have a data stage, such as SET_ADDRESS, SET_CONFIGURATION, SET_INTERFACE, SET_FEATURE, and CLEAR_FEATURE, is handled by the UDC and the software must not set IPR.

12.6.3.3 Flush Tx FIFO (FTF)

The Flush Tx FIFO bit triggers the reset of the endpoint 0 transmit FIFO. It is set when software writing a one or when the UDC receives an OUT packet from the host on endpoint 0. This bit always reads back a zero value.

12.6.3.4 Device Remote Wakeup Feature (DRWF)

The host indicates the state of the device remote wakeup feature by sending a Set Feature command or a Clear Function command. The UDC decodes the command sent by the host and sets this bit to a 1 if the feature is enabled and a 0 if the feature is disabled. This bit is read-only.

12.6.3.5 Sent Stall (SST)

The sent stall bit is set by the UDC when FST successfully forces a software-induced STALL on the USB bus. This bit is not set if the UDC detects a protocol violation from the host when a STALL handshake is returned automatically. In this event, there is no intervention by the core and the UDC clears the STALL status before the host sends the next SETUP command. When the UDC sets this bit, the transmit FIFO is flushed. The core writes a one to this bit to clear it.

12.6.3.6 Force Stall (FST)

The force stall bit can be set by the core to force the UDC to issue a STALL handshake. The UDC issues a STALL handshake for the current setup control transfer and the bit is cleared by the UDC because endpoint zero can not remain in a stalled condition.

12.6.3.7 Receive FIFO Not Empty (RNE)

The receive FIFO not empty bit indicates that the receive FIFO contains unread data. To determine if the FIFO has data in it, this bit must be read when the UDCCS0[OPR] bit is set. The receive FIFO must continue to be read until this bit clears or the data will be lost.

If UDCCS0[RNE] is not set when an interrupt generated by UDCCS0[OPR] is initially serviced, it indicates that a zero-length OUT packet was received.

12.6.3.8 Setup Active (SA)

The Setup Active bit indicates that the current packet in the FIFO is part of a USB setup command. This bit generates an interrupt and becomes active at the same time as UDCCS0[OPR]. Software must clear this bit by writing a 1 to it. Both UDCS0[OPR] and UDCCS0[SA] must be cleared.

12.6.4 UDC Endpoint x Control/Status Register (UDCCS1/6/11)

UDCCS1/6/11, shown in Table 12-15, contains 6 bits that are used to operate endpoint(x), a Bulk IN endpoint).

Table 12-15. UDCCS1/6/11 Bit Definitions

		0x 4060_0014	UDCCS1		USB Device Controller																																	
		0x 4060_0028	UDCCS6																																			
		0x 4060_003C	UDCCS11																																			
Bit	31	30	29	28	27	26	25	24	23	22	21	20	19	18	17	16	15	14	13	12	11	10	9	8	7	6	5	4	3	2	1	0						
	reserved																							TSP	reserved	FST	SST	TUR	FTF	TPC	TFS							
	X	X	X	X	X	X	X	X	X	X	X	X	X	X	X	X	X	X	X	X	X	X	X	X	0	0	0	0	0	0	0	1						
Bit	Name	Description																																				
31:8	—	reserved																																				
7	TSP	Transmit short packet 1 = Short packet ready for transmission.																																				
6	—	reserved																																				
5	FST	Force STALL 1 = Issue STALL handshakes to IN tokens.																																				
4	SST	Sent STALL 1 = STALL handshake was sent.																																				
3	TUR	Transmit FIFO underrun 1 = Transmit FIFO experienced an underrun.																																				
2	FTF	Flush Tx FIFO 1 = Flush Contents of TX FIFO																																				
1	TPC	Transmit packet complete 0 = Error/status bits invalid. 1 = Transmit packet has been sent and error/status bits are valid.																																				
0	TFS	Transmit FIFO service 0 = Transmit FIFO has no room for new data 1 = Transmit FIFO has room for at least 1 complete data packet																																				

12.6.4.1 Transmit FIFO Service (TFS)

The transmit FIFO service bit is active if one or fewer data packets remain in the transmit FIFO. TFS is cleared when two complete packets of data remain in the FIFO. A complete packet of data is signified by loading 64 bytes of data or by setting UDCCSx[TSP].

12.6.4.2 Transmit Packet Complete (TPC)

The transmit packet complete bit is set by the UDC when an entire packet is sent to the host. When this bit is set, the IRx bit in the appropriate UDC status/interrupt register is set if transmit interrupts are enabled. This bit can be used to validate the other status/error bits in the endpoint(x) control/status register. The UDCCSx[TPC] bit is cleared by writing a 1 to it. This clears the interrupt source for the IRx bit in the appropriate UDC status/interrupt register, but the IRx bit must also be cleared.

Setting this bit does not prevent the UDC from transmitting the next buffer. The UDC issues NAK handshakes to all IN tokens if this bit is set and neither buffer has been triggered by writing 64-bytes or setting UDCCSx[TSP].

When DMA loads the transmit buffers, the interrupt generated by UDCCSx[TPC] can be masked to allow data to be transmitted without core intervention.

12.6.4.3 Flush Tx FIFO (FTF)

The Flush Tx FIFO bit triggers a reset for the endpoint's transmit FIFO. The Flush Tx FIFO bit is set when software writes a 1 to it or when the host performs a SET_CONFIGURATION or SET_INTERFACE. The bit's read value is zero.

12.6.4.4 Transmit Underrun (TUR)

The transmit underrun bit is set if the transmit FIFO experiences an underrun. When the UDC experiences an underrun, NAK handshakes are sent to the host. UDCCSx[TUR] does not generate an interrupt and is for status only. UDCCSx[TUR] is cleared by writing a 1 to it.

12.6.4.5 Sent STALL (SST)

The sent stall bit is set by the UDC in response to FST successfully forcing a user induced STALL on the USB bus. This bit is not set if the UDC detects a protocol violation from the host PC when a STALL handshake is returned automatically. In either event, the core does not intervene and the UDC clears the STALL status when the host sends a CLEAR_FEATURE command. The endpoint operation continues normally and does not send another STALL condition, even if the UDCCSx[SST] bit is set. To allow the software to continue to send the STALL condition on the USB bus, the UDCCSx[FST] bit must be set again. The core writes a 1 to the sent stall bit to clear it.

12.6.4.6 Force STALL (FST)

The core can set the force stall bit to force the UDC to issue a STALL handshake to all IN tokens. STALL handshakes continue to be sent until the core clears this bit by sending a Clear Feature command. The UDCCSx[SST] bit is set when the STALL state is actually entered, but this may be delayed if the UDC is active when the UDCCSx[FST] bit is set. The UDCCSx[FST] bit is automatically cleared when the UDCCSx[SST] bit is set. To ensure that no data is transmitted after the Clear Feature command is sent and the host resumes IN requests, software must clear the transmit FIFO by setting the UDCCSx[FTF] bit.

12.6.4.7 Bit 6 Reserved

Bit 6 is reserved for future use.

12.6.4.8 Transmit Short Packet (TSP)

The software uses the transmit short packet bit to indicate that the last byte of a data transfer to the FIFO has occurred. This indicates to the UDC that a short packet or zero-sized packet is ready to transmit. Software must not set this bit if a 64-byte packet is to be transmitted. When the data packet is successful transmitted, the UDC clears this bit.

These are read/write registers. Ignore reads from reserved bits. Write zeros to reserved bits.

12.6.5 UDC Endpoint x Control/Status Register (UDCCS2/7/12)

UDCCS2/7/12, shown in Table 12-16, contains 7 bits that are used to operate endpoint x, a Bulk OUT endpoint.

Table 12-16. UDCCS2/7/12 Bit Definitions

		0x 4060_0018 0x 4060_002C 0x 4060_0040	UDCCS2 UDCCS7 UDCCS12	USB Device Controller																																		
Bit	31	30	29	28	27	26	25	24	23	22	21	20	19	18	17	16	15	14	13	12	11	10	9	8	7	6	5	4	3	2	1	0						
	reserved																							RSP	RNE	FST	SST	DME	reserved	RPC	RFS							
	x	x	x	x	x	x	x	x	x	x	x	x	x	x	x	x	x	x	x	x	x	x	x	x	0	0	0	0	0	0	0	0						
Bit	Name		Description																																			
31:8	—		reserved																																			
7	RSP		Receive short packet (read-only). 1 = Short packet received and ready for reading.																																			
6	RNE		Receive FIFO not empty (read-only). 0 = Receive FIFO empty. 1 = Receive FIFO not empty.																																			
5	FST		Force stall (read/write). 1 = Issue STALL handshakes to OUT tokens.																																			
4	SST		Sent stall (read/write 1 to clear). 1 = STALL handshake was sent.																																			
3	DME		DMA Enable(read/write) 0 = Send data received interrupt after EOP received 1 = Send data received interrupt after EOP received and Receive FIFO has < 32 bytes of data																																			
2	—		reserved																																			
1	RPC		Receive packet complete (read/write 1 to clear). 0 = Error/status bits invalid. 1 = Receive packet has been received and error/status bits are valid.																																			
0	RFS		Receive FIFO service (read-only). 0 = Receive FIFO has less than 1 data packet. 1 = Receive FIFO has 1 or more data packets.																																			

12.6.5.1 Receive FIFO Service (RFS)

The receive FIFO service bit is set if the receive FIFO has one complete data packet in it and the packet has been error checked by the UDC. A complete packet may be 64 bytes, a short packet, or a zero packet. This bit is not cleared until all data has been read from both buffers.

12.6.5.2 Receive Packet Complete (RPC)

The receive packet complete bit is set by the UDC when an OUT packet is received. When this bit is set, the IRx bit in the appropriate UDC status/interrupt register is set, if receive interrupts are enabled. This bit must be used to validate the other status/error bits in the endpoint(x) control/status register. Status bits are not updated until RPC is set. Status bits stay set until RPC is cleared. The exception is RNE which will get set with RPC but will clear itself once the active FIFO is empty. After clearing RPC, the next buffer will become active and the status bits will be updated accordingly, including RPC. The UDCCSx[RPC] bit is cleared by writing a 1 to it. The UDC issues NAK handshakes to all OUT tokens while this bit is set and both buffers have unread data.

12.6.5.3 Bit 2 Reserved

Bit 2 is reserved for future use.

12.6.5.4 DMA Enable (DME)

The dma enable is used by the UDC to control the timing of the data received interrupt. If the bit is set, the interrupt is asserted if the end of packet has been received and the receive FIFO has less than 32 bytes of data remaining in it. If the bit is not set, the interrupt is asserted when the end of packet is received and all of the received data is still in the receive FIFO.

12.6.5.5 Sent Stall (SST)

The sent stall bit is set by the UDC in response to FST successfully forcing a user induced STALL on the USB bus. This bit is not set if the UDC detects a protocol violation from the host PC when a STALL handshake is returned automatically. In either event, the core does not intervene and the UDC clears the STALL status when the host sends a CLEAR_FEATURE command. Any valid data in the FIFO remains valid and the software must unload it. The endpoint operation continues normally and does not send another STALL condition, even if the UDCCSx[SST] bit is set. To allow the software to continue to send the STALL condition on the USB bus, the UDCCSx[FST] bit must be set again. The core writes a 1 to the sent stall bit to clear it.

12.6.5.6 Force Stall (FST)

The core can set the force stall bit to force the UDC to issue a STALL handshake to all OUT tokens. STALL handshakes continue to be sent until the core clears this bit by sending a Clear Feature command. The UDCCSx[SST] bit is set when the STALL state is actually entered, but this may be delayed if the UDC is active when the UDCCSx[FST] bit is set. The UDCCSx[FST] bit is automatically cleared when the UDCCSx[SST] bit is set. To ensure that no data is transmitted after the Clear Feature command is sent and the host resumes IN requests, software must clear the transmit FIFO by setting the UDCCSx[FTF] bit.

12.6.5.7 Receive FIFO Not Empty (RNE)

The receive FIFO not empty bit indicates that unread data remains in the receive FIFO. This bit must be polled when the UDCCSx[RPC] bit is set to determine if there is any data in the FIFO that the DMA did not read. The receive FIFO must continue to be read until this bit clears or data will be lost.

12.6.5.8 Receive Short Packet (RSP)

The UDC uses the receive short packet bit to indicate that the received OUT packet in the active buffer currently being read is a short packet or zero-sized packet. This bit is updated by the UDC after the last byte is read from the active buffer and reflects the status of the new active buffer. If UDCCSx[RSP] is a one and UDCCSx[RNE] is a 0, it indicates a zero-length packet. If a zero-length packet is present, the core must not read the data register. UDCCSx[RSP] is cleared when the next OUT packet is received.

These are read/write registers. Ignore reads from reserved bits. Write zeros to reserved bits.

12.6.6 UDC Endpoint x Control/Status Register (UDCCS3/8/13)

UDCCS3/8/13, shown in Table 12-17, contains 4 bits that are used to operate endpoint(x), an Isochronous IN endpoint.

Table 12-17. UDCCS3/8/13 Bit Definitions

		0x4060_001C	UDCCS3		USB Device Controller																															
		0x4060_0030	UDCCS8																																	
		0x4060_0044	UDCC13																																	
Bit		31	30	29	28	27	26	25	24	23	22	21	20	19	18	17	16	15	14	13	12	11	10	9	8	7	6	5	4	3	2	1	0			
		reserved																								TSP	reserved				TUR	FTF	TPC	TFS		
Reset		X	X	X	X	X	X	X	X	X	X	X	X	X	X	X	X	X	X	X	X	X	X	X	X	0	0	0	0	0	0	0	0	1		
Bit	Name	Description																																		
31:8	—	reserved																																		
7	TSP	Transmit short packet (read/write 1 to set). 1 = Short packet ready for transmission.																																		
6:4	—	reserved																																		
3	TUR	Transmit FIFO underrun (read/write 1 to clear) 1 = Transmit FIFO experienced an underrun.																																		
2	FTF	Flush Tx FIFO (always read 0/ write a 1 to set) 1 = 1 – Flush Contents of TX FIFO																																		
1	TPC	Transmit packet complete (read/write 1 to clear). 0 = Error/status bits invalid. 1 = Transmit packet has been sent and error/status bits are valid.																																		
0	TFS	Transmit FIFO service (read-only). 0 = Transmit FIFO has no room for new data 1 = Transmit FIFO has room for at least 1 complete data packet																																		

12.6.6.1 Transmit FIFO Service (TFS)

The transmit FIFO service bit is set if one or fewer data packets remain in the transmit FIFO. UDCCSx[TFS] is cleared when two complete data packets are in the FIFO. A complete packet of data is signified by loading 256 bytes or by setting UDCCSx[TSP].

12.6.6.2 Transmit Packet Complete (TPC)

The UDC sets transmit packet complete bit when an entire packet is sent to the host. When this bit is set, the IRx bit in the appropriate UDC status/interrupt register is set if transmit interrupts are enabled. This bit can be used to validate the other status/error bits in the endpoint(x) control/status register. The UDCCSx[TPC] bit gets cleared by writing a one to it. This clears the interrupt source for the IRx bit in the appropriate UDC status/interrupt register, but the IRx bit must also be cleared.

Setting this bit does not prevent the UDC from transmitting the next buffer. The UDC issues NAK handshakes to all IN tokens if this bit is set and neither buffer has been triggered by writing 64 bytes or setting UDCCSx[TSP].

When DMA is used to load the transmit buffers, the interrupt generated by UDCCSx[TPC] can be masked to allow data to be transmitted without core intervention.

12.6.6.3 Flush Tx FIFO (FTF)

The Flush Tx FIFO bit triggers a reset for the endpoint's transmit FIFO. The Flush Tx FIFO bit is set when software writes a 1 to it or when the host performs a SET_CONFIGURATION or SET_INTERFACE. The bit's read value is zero.

12.6.6.4 Transmit Underrun (TUR)

The transmit underrun bit is set if the transmit FIFO experiences an underrun. When the UDC experiences an underrun, UDCCSx[TUR] generates an interrupt. UDCCSx[TUR] is cleared by writing a 1 to it.

12.6.6.5 Bits 6:4 Reserved

Bits 6:4 are reserved for future use.

12.6.6.6 Transmit Short Packet (TSP)

Software uses the transmit short packet to indicate that the last byte of a data transfer has been sent to the FIFO. This indicates to the UDC that a short packet or zero-sized packet is ready to transmit. Software must not set this bit if a packet of 256 bytes is to be transmitted. When the data packet is successfully transmitted, this bit is cleared by the UDC.

These are read/write registers. Ignore reads from reserved bits. Write zeros to reserved bits.

12.6.7 UDC Endpoint x Control/Status Register (UDCCS4/9/14)

UDCCS4/9/14, shown in Table 12-18, contains six bits that are used to operate endpoint(x), an Isochronous OUT endpoint.

Table 12-18. UDCCS4/9/14 Bit Definitions

		0x 4060_0020 0x 4060_0034 0x4060_0048	UDCCS4 UDCCS9 UDCCS14	USB Device Controller																												
Bit	31	30	29	28	27	26	25	24	23	22	21	20	19	18	17	16	15	14	13	12	11	10	9	8	7	6	5	4	3	2	1	0
	reserved																							RSP	RNE	reserved	DME	ROF	RPC	RFS		
Reset	x	x	x	x	x	x	x	x	x	x	x	x	x	x	x	x	x	x	x	x	x	x	x	x	0	0	0	0	0	0	0	0
Bits	Name	Description																														
31:8	—	reserved																														
7	RSP	Receive short packet (read-only) 1 = Short packet received and ready for reading.																														
6	RNE	Receive FIFO not empty (read-only). 0 = Receive FIFO empty. 1 = Receive FIFO not empty.																														
5:4	—	reserved																														
3	DME	DMA Enable(read/write) 0 = Send receive interrupt after EOP receive 1 = Send data received interrupt after EOP received and Receive FIFO has < 32 bytes of data																														
2	ROF	Receive overflow (read/write 1 to clear) 1 = Isochronous data packets are being dropped from the host because the receiver is full.																														
1	RPC	Receive packet complete (read/write 1 to clear). 0 = Error/status bits invalid. 1 = Receive packet has been received and error/status bits are valid.																														
0	RFS	Receive FIFO service (read-only). 0 = Receive FIFO has less than 1 data packet. 1 = Receive FIFO has 1 or more data packets.																														

12.6.7.1 Receive FIFO Service (RFS)

The receive FIFO service bit is set if the receive FIFO has one complete data packet in it and the packet has been error checked by the UDC. A complete packet may be 256 bytes, a short packet, or a zero packet. UDCCSx[RFS] is not cleared until all data is read from both buffers.

12.6.7.2 Receive Packet Complete (RPC)

The receive packet complete bit gets set by the UDC when an OUT packet is received. When this bit is set, the IRx bit in the appropriate UDC status/interrupt register is set if receive interrupts are enabled. This bit can be used to validate the other status/error bits in the endpoint(x) control/status register. The UDCCSx[RPC] bit is cleared by writing a 1 to it.

12.6.7.3 Receive Overflow (ROF)

The receive overflow bit generates an interrupt on IRx in the appropriate UDC status/interrupt register to alert the software that Isochronous data packets are being dropped because neither FIFO buffer has room for them. This bit is cleared by writing a 1 to it.

12.6.7.4 DMA Enable (DME)

The DMA enable is used by the UDC to control the timing of the data received interrupt. If the bit is set, the interrupt is asserted when the end of packet is received and the receive FIFO has less than 32 bytes of data in it. If the bit is not set, the interrupt is asserted when the end of packet is received and all of the received data is still in the receive FIFO.

12.6.7.5 Bits 5:4 Reserved

Bits 5:4 are reserved for future use.

12.6.7.6 Receive FIFO Not Empty (RNE)

The receive FIFO not empty bit indicates that the receive FIFO has unread data in it. When the UDCCSx[RPC] bit is set, this bit must be read to determine if there is any data in the FIFO that DMA did not read. The receive FIFO must continue to be read until this bit clears or data will be lost.

12.6.7.7 Receive Short Packet (RSP)

The receive short packet bit is used by the UDC to indicate that the received OUT packet in the active buffer currently being read is a short packet or zero-sized packet. This bit is updated by the UDC after the last byte is read from the active buffer and reflects the status of the new active buffer. If UDCCSx[RSP] is a one and UDCCSx[RNE] is a zero, it indicates a zero-length packet. If a zero-length packet is present, the core must not read the data register. UDCCSx[RSP] clears when the next OUT packet is received.

These are read/write registers. Ignore reads from reserved bits. Write zeros to reserved bits.

12.6.8 UDC Endpoint x Control/Status Register (UDCCS5/10/15)

UDCCS5/10/15, shown in Table 12-19 contains 6 bits that are used to operate endpoint(x), an Interrupt IN endpoint.

Table 12-19. UDCCS5/10/15 Bit Definitions (Sheet 1 of 2)

		0x 4060_0024	UDCCS5		USB Device Controller																																	
		0x 4060_0038	UDCCS5																																			
		0x 4060_004C	UDCCS15																																			
Bit	31	30	29	28	27	26	25	24	23	22	21	20	19	18	17	16	15	14	13	12	11	10	9	8	7	6	5	4	3	2	1	0						
	reserved																							TSP	reserved	FST	SST	TUR	FTF	TPC	TFS							
Reset	x	x	x	x	x	x	x	x	x	x	x	x	x	x	x	x	x	x	x	x	x	x	x	x	0	0	0	0	0	0	0	1						
Bits	Name		Description																																			
31:8	—		reserved																																			
7	TSP		Transmit short packet (read/write 1 to set). 1 = Short packet ready for transmission.																																			
6	—		reserved																																			

Table 12-19. UDCCS5/10/15 Bit Definitions (Sheet 2 of 2)

		0x 4060_0024	UDCCS5		USB Device Controller																																	
		0x 4060_0038	UDCCS5	UDCCS5																																		
		0x 4060_004C	UDCCS15	UDCCS15																																		
Bit		31	30	29	28	27	26	25	24	23	22	21	20	19	18	17	16	15	14	13	12	11	10	9	8	7	6	5	4	3	2	1	0					
		reserved																							TSP	reserved	FST	SST	TUR	FTF	TPC	TFS						
Reset		x	x	x	x	x	x	x	x	x	x	x	x	x	x	x	x	x	x	x	x	x	x	x	x	0	0	0	0	0	0	0	0	1				
Bits	Name	Description																																				
5	FST	Force STALL (read/write). 1 = Issue STALL handshakes to IN tokens.																																				
4	SST	Sent STALL (read/write 1 to clear). 1 = STALL handshake was sent.																																				
3	TUR	Transmit FIFO underrun (read/write 1 to clear) 1 = Transmit FIFO experienced an underrun.																																				
2	FTF	Flush Tx FIFO (always read 0/ write a 1 to set) 1 = Flush Contents of TX FIFO																																				
1	TPC	Transmit packet complete (read/write 1 to clear). 0 = Error/status bits invalid. 1 = Transmit packet has been sent and error/status bits are valid.																																				
0	TFS	Transmit FIFO service (read-only). 0 = Transmit FIFO has no room for new data 1 = Transmit FIFO has room for 1 complete data packet																																				

12.6.8.1 Transmit FIFO Service (TFS)

The transmit FIFO service bit is set if the FIFO does not contain any data bytes and UDCCSx[TSP] is not set.

12.6.8.2 Transmit Packet Complete (TPC)

The transmit packet complete bit is be set by the UDC when an entire packet is sent to the host. When this bit is set, the IRx bit in the appropriate UDC status/interrupt register is set if transmit interrupts are enabled. This bit can be used to validate the other status/error bits in the endpoint(x) control/status register. The UDCCSx[TPC] bit is cleared by writing a 1 to it. This clears the interrupt source for the IRx bit in the appropriate UDC status/interrupt register, but the IRx bit must also be cleared.

The UDC issues NAK handshakes to all IN tokens if this bit is set and the buffer is not triggered by writing 8 bytes or setting UDCCSx[TSP].

12.6.8.3 Flush Tx FIFO (FTF)

The Flush Tx FIFO bit triggers a reset for the endpoint's transmit FIFO. The Flush Tx FIFO bit is set when software writes a 1 to it or when the host performs a SET_CONFIGURATION or SET_INTERFACE. The bit's read value is zero.

12.6.8.4 Transmit Underrun (TUR)

The transmit underrun bit is set if the transmit FIFO experiences an underrun. When the UDC experiences an underrun, NAK handshakes are sent to the host. UDCCSx[TUR] does not generate an interrupt and is for status only. UDCCSx[TUR] is cleared by writing a 1 to it.

12.6.8.5 Sent STALL (SST)

The sent stall bit is set by the UDC in response to FST successfully forcing a user induced STALL on the USB bus. This bit is not set if the UDC detects a protocol violation from the host PC when a STALL handshake is returned automatically. In either event, the core does not intervene and the UDC clears the STALL status when the host sends a CLEAR_FEATURE command. The endpoint operation continues normally and does not send another STALL condition, even if the UDCCSx[SST] bit is set. To allow the software to continue to send the STALL condition on the USB bus, the UDCCSx[FST] bit must be set again. The core writes a 1 to the sent stall bit to clear it.

12.6.8.6 Force STALL (FST)

The core can set the force stall bit to force the UDC to issue a STALL handshake to all IN tokens. STALL handshakes continue to be sent until the core clears this bit by sending a Clear Feature command. The UDCCSx[SST] bit is set when the STALL state is actually entered, but this may be delayed if the UDC is active when the UDCCSx[FST] bit is set. The UDCCSx[FST] bit is automatically cleared when the UDCCSx[SST] bit is set. To ensure that no data is transmitted after the Clear Feature command is sent and the host resumes IN requests, software must clear the transmit FIFO by setting the UDCCSx[FTF] bit.

12.6.8.7 Bit 6 Reserved

Bit 6 is reserved for future use.

12.6.8.8 Transmit Short Packet (TSP)

Software uses the transmit short to indicate that the last byte of a data transfer has been sent to the FIFO. This indicates to the UDC that a short packet or zero-sized packet is ready to transmit. Software must not set this bit if a packet of 8 bytes is to be transmitted. When the data packet is successfully transmitted, the UDC clears this bit.

These are read/write registers. Ignore reads from reserved bits. Write zeros to reserved bits.

12.6.9 UDC Interrupt Control Register 0 (UICR0)

UICR0, shown in [Table 12-20](#), contains 8 control bits to enable/disable interrupt service requests from data endpoints 0 - 7. All of the UICR0 bits are reset to a 1 so interrupts are not generated on initial system reset.

Table 12-20. UICR0 Bit Definitions

		0x 4060_0050																UICR0								USB Device Controller											
Bit		31	30	29	28	27	26	25	24	23	22	21	20	19	18	17	16	15	14	13	12	11	10	9	8	7	6	5	4	3	2	1	0				
		reserved																								IM7	IM6	IM5	IM4	IM3	IM2	IM1	IM0				
Reset		x	x	x	x	x	x	x	x	x	x	x	x	x	x	x	x	x	x	x	x	x	x	x	x	x	1	1	1	1	1	1	1	1			
Bits	Name	Description																																			
31:8	—	reserved																																			
7	IM7	Interrupt Mask for Endpoint 7 0 = Receive interrupt enabled 1 = Receive interrupt disabled																																			
6	IM6	Interrupt Mask for Endpoint 6 0 = Transmit interrupt enabled 1 = Transmit interrupt disabled																																			
5	IM5	Interrupt mask for Endpoint 5 0 = Transmit interrupt enabled 1 = Transmit interrupt disabled																																			
4	IM4	Interrupt mask for Endpoint 4 0 = Receive Interrupt enabled 1 = Receive Interrupt disabled																																			
3	IM3	Interrupt mask for Endpoint 3 0 = Transmit interrupt enabled 1 = Transmit interrupt disabled																																			
2	IM2	Interrupt Mask for Endpoint 2 0 = Receive interrupt enabled 1 = Receive interrupt disabled																																			
1	IM1	Interrupt Mask for Endpoint 1 0 = Transmit interrupt enabled 1 = Transmit interrupt disabled																																			
0	IM0	Interrupt mask for endpoint 0 0 = Endpoint zero interrupt enabled 1 = Endpoint zero interrupt disabled																																			

12.6.9.1 Interrupt Mask Endpoint x (IMx), Where x is 0 through 7

The UICR0[IMx] bit is used to mask or enable the corresponding endpoint interrupt request, USIR0[IRx]. When the mask bit is set, the interrupt is masked and the corresponding bit in the USIR0 register is not allowed to be set. When the mask bit is cleared and an interruptible condition occurs in the endpoint, the appropriate interrupt bit is set. Programming the mask bit to a 1 does not affect the current state of the interrupt bit. It only blocks future zero to one transitions of the interrupt bit.

These are read/write registers. Ignore reads from reserved bits. Write zeros to reserved bits.

12.6.10 UDC Interrupt Control Register 1 (UICR1)

UICR1, shown in Table 12-21, contains 8 control bits to enable/disable interrupt service requests from endpoints 8 - 15. The UICR1 bits are reset to 1 so interrupts are not generated on initial system reset.

Table 12-21. UICR1 Bit Definitions

		0x 4060_0054																UICR1								USB Device Controller								
Bit		31	30	29	28	27	26	25	24	23	22	21	20	19	18	17	16	15	14	13	12	11	10	9	8	7	6	5	4	3	2	1	0	
		reserved																								IM15	IM14	IM13	IM12	IM11	IM10	IM9	IM8	
Reset		X	X	X	X	X	X	X	X	X	X	X	X	X	X	X	X	X	X	X	X	X	X	X	X	X	1	1	1	1	1	1	1	1
Bits	Name	Description																																
31:8	—	reserved																																
7	IM15	Interrupt mask for Endpoint 15 0 = Transmit interrupt enabled 1 = Transmit interrupt disabled																																
6	IM14	Interrupt mask for Endpoint 14 0 = Receive interrupt enabled 1 = Receive interrupt disabled																																
5	IM13	Interrupt mask for Endpoint 13 0 = Transmit interrupt enabled 1 = Transmit interrupt disabled.																																
4	IM12	Interrupt mask for Endpoint 12 0 = Receive interrupt enabled 1 = Receive interrupt disabled																																
3	IM11	Interrupt mask for Endpoint 11 0 = Transmit interrupt enabled 1 = Transmit interrupt disabled																																
2	IM10	Interrupt mask for Endpoint 10 0 = Receive interrupt enabled 1 = Receive interrupt disabled																																
1	IM9	Interrupt mask for Endpoint 9 0 = Receive interrupt enabled 1 = Receive interrupt disabled																																
0	IM8	Interrupt Mask for Endpoint 8 0 = Transmit interrupt enabled 1 = Transmit interrupt disabled																																

12.6.10.1 Interrupt Mask Endpoint x (IMx), where x is 8 through 15.

The UICR1[IMx] bit is used to mask or enable the corresponding endpoint interrupt request, USIR1[IRx]. When the mask bit is set, the interrupt is masked and the corresponding bit in the USIR1 register is not allowed to be set. When the mask bit is cleared and an interruptible condition occurs in the endpoint, the appropriate interrupt bit is set. Programming the mask bit to a 1 does not affect the current state of the interrupt bit. It only blocks future zero to one transitions of the interrupt bit.

These are read/write registers. Ignore reads from reserved bits. Write zeros to reserved bits.

12.6.11 UDC Status/Interrupt Register 0 (USIR0)

USIR0, shown in Table 12-22, and USIR1, shown in Table 12-23, contain bits that are used to generate the UDC’s interrupt request. Each bit in the UDC status/interrupt registers is logically ORed together to produce one interrupt request. When the ISR for the UDC is executed, it must read the UDC status/interrupt register to determine why the interrupt occurred. USIRx is level sensitive. Be sure to clear USIRx as the last step before exiting the ISR.

The bits in USIR0 and USIR1 are controlled by a mask bit in the UDC Interrupt Control Register (UICR0/1). The mask bits, when set, prevent a status bit in the USIRx from being set. If the mask bit for a particular status bit is cleared and an interruptible condition occurs, the status bit is set. To clear status bits, the core must write a 1 to the position to be cleared. The interrupt request for the UDC remains active as long as the value of the USIRx is non-zero.

Table 12-22. USIR0 Bit Definitions

		0x 4060_0058																USIR0								USB Device Controller							
Bit		31	30	29	28	27	26	25	24	23	22	21	20	19	18	17	16	15	14	13	12	11	10	9	8	7	6	5	4	3	2	1	0
		reserved																								IR7	IR6	IR5	IR4	IR3	IR2	IR1	IR1
Reset		x	x	x	x	x	x	x	x	x	x	x	x	x	x	x	x	x	x	x	x	x	x	x	x	0	0	0	0	0	0	0	0
Bits	Name	Description																															
31:8	—	reserved																															
7	IR7	Interrupt Request Endpoint 7 (read/write 1 to clear) 1 = Endpoint 7 needs service.																															
6	IR6	Interrupt Request Endpoint 6 (read/write 1 to clear) 1 = Endpoint 6 needs service.																															
5	IR5	Interrupt Request Endpoint 5 (read/write 1 to clear) 1 = Endpoint 5 needs service.																															
4	IR4	Interrupt Request Endpoint 4 (read/write 1 to clear) 1 = Endpoint 4 needs service.																															
3	IR3	Interrupt Request Endpoint 3 (read/write 1 to clear) 1 = Endpoint 3 needs service.																															
2	IR2	Interrupt Request Endpoint 2 (read/write 1 to clear) 1 = Endpoint 2 needs service.																															
1	IR1	Interrupt Request Endpoint 1 (read/write 1 to clear) 1 = Endpoint 1 needs service.																															
0	IR0	Interrupt Request Endpoint 0 (read/write 1 to clear) 1 = Endpoint 0 needs service.																															

12.6.11.1 Endpoint 0 Interrupt Request (IR0)

The endpoint 0 interrupt request is set if the IM0 bit in the UDC control register is cleared and, in the UDC endpoint 0 control/status register, the OUT packet ready bit is set, the IN packet ready bit is cleared, or the sent STALL bit is set. The IR0 bit is cleared by writing a 1 to it.

12.6.11.2 Endpoint 1 Interrupt Request (IR1)

The interrupt request bit is set if the IM1 bit in the UDC interrupt control register is cleared and the IN packet complete (TPC) in UDC endpoint 1 control/status register is set. The IR1 bit is cleared by writing a 1 to it.

12.6.11.3 Endpoint 2 Interrupt Request (IR2)

The interrupt request bit is set if the IM2 bit in the UDC interrupt control register is cleared and the OUT packet ready bit (RPC) in the UDC endpoint 2 control/status register is set. The IR2 bit is cleared by writing a 1 to it.

12.6.11.4 Endpoint 3 Interrupt Request (IR3)

The interrupt request bit is set if the IM3 bit in the UDC interrupt control register is cleared and the IN packet complete (TPC) or Transmit Underrun (TUR) in UDC endpoint 3 control/status register is set. The IR3 bit is cleared by writing a 1 to it

12.6.11.5 Endpoint 4 Interrupt Request (IR4)

The interrupt request bit is set if the IM4 bit in the UDC interrupt control register is cleared and the OUT packet ready (RPC) or receiver overflow (ROF) in the UDC endpoint 4 control/status register or the Isochronous Error Endpoint 4 (IPE4) in the UFNHR are set. The IR4 bit is cleared by writing a 1 to it.

12.6.11.6 Endpoint 5 Interrupt Request (IR5)

The interrupt request bit is set if the IM5 bit in the UDC interrupt control register is cleared and the IN packet complete (TPC) in UDC endpoint 5 control/status register is set. The IR5 bit is cleared by writing a 1 to it.

12.6.11.7 Endpoint 6 Interrupt Request (IR6)

The interrupt request bit gets set if the IM6 bit in the UDC interrupt control register is cleared and the IN packet complete (TPC) in UDC endpoint 6 control/status register gets set. The IR6 bit is cleared by writing a one to it.

12.6.11.8 Endpoint 7 Interrupt Request (IR7)

The interrupt request bit is set if the IM7 bit in the UDC interrupt control register is cleared and the OUT packet ready bit (RPC) in the UDC endpoint 7 control/status register is set. The IR7 bit is cleared by writing a 1 to it.

This is a read/write register. Ignore reads from reserved bits. Write zeros to reserved bits.

12.6.12 UDC Status/Interrupt Register 1 (USIR1)

Table 12-23. USIR1 Bit Definitions

	0x 4060_005C																USIR1								USB Device Controller							
Bit	31	30	29	28	27	26	25	24	23	22	21	20	19	18	17	16	15	14	13	12	11	10	9	8	7	6	5	4	3	2	1	0
	reserved																								IR15	IR14	IR13	IR12	IR11	IR10	IR9	IR8
	x	x	x	x	x	x	x	x	x	x	x	x	x	x	x	x	x	x	x	x	x	x	x	x	0	0	0	0	0	0	0	0
Bits	Name		Description																													
31:8	—		reserved																													
7	IR15		Interrupt Request Endpoint 15 (read/write 1 to clear) 1 = Endpoint 15 needs service.																													
6	IR14		Interrupt Request Endpoint 14 (read/write 1 to clear) 1 = Endpoint 14 needs service.																													
5	IR13		Interrupt Request Endpoint 13 (read/write 1 to clear) 1 = Endpoint 13 needs service.																													
4	IR12		Interrupt Request Endpoint 12 (read/write 1 to clear) 1 = Endpoint 12 needs service.																													
3	IR11		Interrupt Request Endpoint 11 (read/write 1 to clear) 1 = Endpoint 11 needs service.																													
2	IR10		Interrupt Request Endpoint 10 (read/write 1 to clear) 1 = Endpoint 10 needs service.																													
1	IR9		Interrupt Request Endpoint 9 (read/write 1 to clear) 1 = Endpoint 9 needs service.																													
0	IR8		Interrupt Request Endpoint 8 (read/write 1 to clear) 1 = Endpoint 8 needs service.																													

12.6.12.1 Endpoint 8 Interrupt Request (IR8)

The interrupt request bit is set if the IM8 bit in the UDC interrupt control register is cleared and the IN packet complete (TPC) or Transmit Underrun (TUR) in UDC endpoint 8 control/status register is set. The IR8 bit is cleared by writing a 1 to it.

12.6.12.2 Endpoint 9 Interrupt Request (IR9)

The interrupt request bit is set if the IM9 bit in the UDC interrupt control register is cleared and the OUT packet ready (RPC) or receiver overflow (ROF) in the UDC endpoint 9 control/status register or the Isochronous Error Endpoint 9 (IPE9) in the UFNHR are set. The IR9 bit is cleared by writing a 1 to it.

12.6.12.3 Endpoint 10 Interrupt Request (IR10)

The interrupt request bit is set if the IM10 bit in the UDC interrupt control register is cleared and the IN packet complete (TPC) or in UDC endpoint 10 control/status register is set. The IR10 bit is cleared by writing a 1 to it.

12.6.12.4 Endpoint 11 Interrupt Request (IR11)

The interrupt request bit is set if the IM11 bit in the UDC interrupt control register is cleared and the IN packet complete (TPC) in UDC endpoint 11 control/status register is set. The IR11 bit is cleared by writing a 1 to it.

12.6.12.5 Endpoint 12 Interrupt Request (IR12)

The interrupt request bit is set if the IM12 bit in the UDC interrupt control register is cleared and the OUT packet ready bit (RPC) in the UDC endpoint 12 control/status register is set. The IR12 bit is cleared by writing a 1 to it.

12.6.12.6 Endpoint 13 Interrupt Request (IR13)

The interrupt request bit is set if the IM13 bit in the UDC interrupt control register is cleared and the IN packet complete (TPC) or Transmit Underrun (TUR) in UDC endpoint 13 control/status register is set. The IR13 bit is cleared by writing a 1 to it.

12.6.12.7 Endpoint 14 Interrupt Request (IR14)

The interrupt request bit is set if the IM14 bit in the UDC interrupt control register is cleared and the OUT packet ready (RPC) or receiver overflow (ROF) in the UDC endpoint 14 control/status register or the Isochronous Error Endpoint 14 (IPE14) in the UFNHR are set. The IR14 bit is cleared by writing a 1 to it.

12.6.12.8 Endpoint 15 Interrupt Request (IR15)

The interrupt request bit is set if the IM15 bit in the UDC interrupt control is set. The IR15 bit is cleared by writing a 1 to it.

This is a read/write register. Ignore reads from reserved bits. Write zeros to reserved bits.

12.6.13 UDC Frame Number High Register (UFNHR)

UFNHR, shown in [Table 12-24](#), holds the three most significant bits of the frame number contained in the last received SOF packet, the isochronous OUT endpoint error status, and the SOF interrupt status/interrupt mask bit.

Table 12-24. UFNHR Bit Definitions

		0x 4060_0060											UFNHR											USB Device Controller										
Bit		31	30	29	28	27	26	25	24	23	22	21	20	19	18	17	16	15	14	13	12	11	10	9	8	7	6	5	4	3	2	1	0	
		reserved																								SIR	SIM	IPE14	IPE9	IPE4	3-Bit Frame Number MSB			
Reset		x	x	x	x	x	x	x	x	x	x	x	x	x	x	x	x	x	x	x	x	x	x	x	x	x	0	1	0	0	0	0	0	0
Bits	Name	Description																																
31:8	—	reserved																																
7	SIR	SOF Interrupt Request (read/write 1 to clear) 1 = SOF has been received.																																
6	SIM	SOF interrupt mask 0 = SOF interrupt enabled. 1 = SOF interrupt disabled.																																
5	IPE14	Isochronous Packet Error Endpoint 14 (read/write 1 to clear) 1 = Status indicator that data in the endpoint FIFO is corrupted																																
4	IPE9	Isochronous Packet Error Endpoint 9 (read/write 1 to clear) 1 = Status indicator that data in the endpoint FIFO is corrupted																																
3	IPE4	Isochronous Packet Error Endpoint 4 (read/write 1 to clear) 1 = Status indicator that data in the endpoint FIFO is corrupted																																
2:0	FNMSB	Frame Number MSB. Most significant 3-bits of 11-bit frame number associated with last receive SOF.																																

12.6.13.1 UDC Frame Number MSB (FNMSB)

The UFNHR[FNMSB] is the three most significant bits of the 11-bit frame number contained in the last received SOF packet. The remaining bits are located in the UFNLR. This information is used for isochronous transfers. These bits are updated every SOF.

12.6.13.2 Isochronous Packet Error Endpoint 4 (IPE4)

The isochronous packet error for Endpoint 4 is set if Endpoint 4 is loaded with a data packet that is corrupted. This status bit is used in the interrupt generation of endpoint 4. To maintain synchronization, the software must monitor this bit when it services an SOF interrupt and reads the frame number. This bit is not set if the token packet is corrupted or if the sync or PID fields of the data packet are corrupted.

12.6.13.3 Isochronous Packet Error Endpoint 9 (IPE9)

The isochronous packet error for Endpoint 9 is set if Endpoint 9 is loaded with a data packet that is corrupted. This status bit is used in the interrupt generation of endpoint 9. To maintain synchronization, software must monitor this bit when it services the SOF interrupt and reads the frame number. This bit is not set if the token packet is corrupted or if the sync or PID fields of the data packet are corrupted.

12.6.13.4 Isochronous Packet Error Endpoint 14 (IPE14)

The isochronous packet error for Endpoint 14 is set if Endpoint 14 is loaded with a data packet that is corrupted. This status bit is used in the interrupt generation of endpoint 14. To maintain synchronization, software must monitor this bit when it services the SOF interrupt and reads the frame number. This bit is not set if the token packet is corrupted or if the sync or PID fields of the data packet are corrupted.

12.6.13.5 Start of Frame Interrupt Mask (SIM)

The UFNHR[SIM] bit is used to mask or enable the SOF interrupt request. When UFNHR[SIM]=1, the interrupt is masked and the SIR bit is not allowed to be set. When UFNHR[SIM]=0, the interrupt is enabled and when an interruptible condition occurs in the receiver, the UFNHR[SIR] bit is set. Setting UFNHR[SIM] to a 1 does not affect the current state of UFNHR[SIR]. It only blocks future zero to one transitions of UFNHR[SIR].

12.6.13.6 Start of Frame Interrupt Request (SIR)

The interrupt request bit is set if the UFNHR[SIM] bit is cleared and an SOF packet is received. The UFNHR[SIR] bit is cleared by writing a 1 to it.

This is a read/write register. Ignore reads from reserved bits. Write zeros to reserved bits.

12.6.14 UDC Frame Number Low Register (UFNLR)

UFNLR, shown in Table 12-25, is the eight least significant bits of the 11-bit frame number contained in the last received SOF packet. The three remaining bits are located in the UFNHR. This information is used for isochronous transfers. These bits are updated every SOF.

This is a read-only register. Ignore reads from reserved bits.

Table 12-25. UFNLR Bit Definitions

	0x 4060_0064								UFNLR								USB Device Controller																			
Bit	31	30	29	28	27	26	25	24	23	22	21	20	19	18	17	16	15	14	13	12	11	10	9	8	7	6	5	4	3	2	1	0				
	reserved																8-Bit Frame Number LSB																			
Reset	X	X	X	X	X	X	X	X	X	X	X	X	X	X	X	X	X	X	X	X	X	X	X	X	X	X	0	0	0	0	0	0	0			
	Bits		Name		Description																															
	31:8		—		reserved																															
	7:0		FNLSB		Frame number LSB Least significant 8-bits of frame number associated with last received SOF.																															

12.6.15 UDC Byte Count Register x (UBCR2/4/7/9/12/14)

UBCR2/4/7/9/12/14, shown in Table 12-26, maintains the remaining byte count in the active buffer of OUT endpoint(x).

Table 12-26. UBCR2/4/7/9/12/14 Bit Definitions

	0x 4060_0068	UBCR2	
	0x 4060_006C	UBCR4	
	0x 4060_0070	UBCR7	
	0x 4060_0074	UBCR9	USB Device Controller
	0x 4060_0078	UBCR12	
	0x 4060_007C	UBCR14	

Bit	31	30	29	28	27	26	25	24	23	22	21	20	19	18	17	16	15	14	13	12	11	10	9	8	7	6	5	4	3	2	1	0
	reserved																							BC								
Reset	x	x	x	x	x	x	x	x	x	x	x	x	x	x	x	x	x	x	x	x	x	x	x	x	0	0	0	0	0	0	0	0
	Bits	Name	Description																													
	31:8	—	reserved																													
	7:0	BC	Byte Count (read-only). Number of bytes in the FIFO is Byte Count plus 1 (BC+1).																													

12.6.15.1 Endpoint x Byte Count (BC)

The byte count is updated after each byte is read. When software receives an interrupt that indicates the endpoint has data, it can read the byte count register to determine the number of bytes that remain to be read. The number of bytes that remain in the input buffer is equal to the byte count +1.

This is a read-only register. Ignore reads from reserved bits.

12.6.16 UDC Endpoint 0 Data Register (UDDR0)

UDDR0, shown in, [Table 12-27](#), is a 16-entry by 8-bit bidirectional FIFO. When the host transmits data to the UDC Endpoint 0, the core reads the UDC endpoint 0 register to access the data. When the UDC sends data to the host, the core writes the data to be sent in the UDC endpoint 0 register. The core can only read and write the FIFO at specific points in a control sequence. The direction that the FIFO flows is controlled by the UDC. Normally, the UDC is in an idle state, waiting for the host to send commands. When the host sends a command, the UDC fills the FIFO with the command from the host and the core reads the command from the FIFO when it arrives. The only time the core may write the endpoint 0 FIFO is after a valid command from the host is received and it requires a transmission in response.

This is a read/write register. Ignore reads from reserved bits. Write zeros to reserved bits.

Table 12-27. UDDR0 Bit Definitions

		0x 4060_0080																UDDR0								USB Device Controller											
Bit		31	30	29	28	27	26	25	24	23	22	21	20	19	18	17	16	15	14	13	12	11	10	9	8	7	6	5	4	3	2	1	0				
		reserved																								Bottom of Endpoint 0 FIFO (for Reads) Top of Endpoint 0 FIFO (for Writes)											
Reset		x	x	x	x	x	x	x	x	x	x	x	x	x	x	x	x	x	x	x	x	x	x	x	x	x	0	0	0	0	0	0	0	0			
Bits	Name	Description																																			
31:8	—	reserved																																			
7:0	DATA	Top/bottom of endpoint 0 FIFO data. Read – Bottom of endpoint 0 FIFO data. Write – Top of endpoint 0 FIFO data.																																			

12.6.17 UDC Endpoint x Data Register (UDDR1/6/11)

UDDR1/6/11, shown in Table 12-28, is a double-buffered bulk IN endpoint that is 64 bytes deep. Data can be loaded via DMA or direct core writes. Because it is double buffered, up to two packets of data may be loaded for transmission.

These are write-only registers. Write zeros to reserved bits.

Table 12-28. UDDR1/6/11 Bit Definitions

		0x 4060_0100 0x 4060_0600 0x 4060_0B00																UDDR1 UDDR6 UDDR11								USB Device Controller											
Bit		31	30	29	28	27	26	25	24	23	22	21	20	19	18	17	16	15	14	13	12	11	10	9	8	7	6	5	4	3	2	1	0				
		reserved																								8-Bit Data											
Reset		x	x	x	x	x	x	x	x	x	x	x	x	x	x	x	x	x	x	x	x	x	x	x	x	x	x	0	0	0	0	0	0				
Bits	Name	Description																																			
31:8	—	reserved																																			
7:0	DATA	Top of endpoint data currently being loaded																																			

12.6.18 UDC Endpoint x Data Register (UDDR2/7/12)

UDDR2/7/12, shown in Table 12-29, is a double-buffered bulk OUT endpoint that is 64 bytes deep. The UDC will generate either an interrupt or DMA request as soon as the EOP is received. Since it is double buffered, up to two packets of data may be ready. Via DMA or by direct read from the core, the data can be removed from the UDC. If one packet is being removed and the packet behind it has already been received, the UDC will issue a NAK to the host the next time it sends an OUT packet to endpoint(x). This NAK condition will remain in place until a full packet space is available in the UDC at Endpoint(x).

These are read-only registers. Ignore reads from reserved bits.

Table 12-29. UDDR2/7/12 Bit Definitions

		0x 4060_0180 0x 4060_0680 0x 4060_0B80	UDDR2 UDDR7 UDDR12	USB Device Controller													
Bit	31 30 29 28 27 26 25 24 23 22 21 20 19 18 17 16 15 14 13 12 11 10 9 8 7 6 5 4 3 2 1 0																
		reserved												8-bit Data			
Reset	x x			0 0 0 0 0 0 0 0													
	Bits	Name	Description														
	31:8	—	reserved														
	7:0	DATA	Top of endpoint data currently being read														

12.6.19 UDC Endpoint x Data Register (UDDR3/8/13)

UDDR3/8/13, shown in Table 12-30, is a double-buffered isochronous IN endpoint that is 256 bytes deep. Data can be loaded via DMA or direct core writes. Because it is double buffered, up to two packets of data may be loaded for transmission.

These are write-only registers. Write zeros to reserved bits.

Table 12-30. UDDR3/8/13 Bit Definitions

		0x 4060_0200 0x 4060_0700 0x 4060_0C00	UDDR3 UDDR8 UDDR13	USB Device Controller													
Bit	31 30 29 28 27 26 25 24 23 22 21 20 19 18 17 16 15 14 13 12 11 10 9 8 7 6 5 4 3 2 1 0																
		reserved												8-bit Data			
Reset	x x			0 0 0 0 0 0 0 0													
	Bits	Name	Description														
	31:8	—	reserved														
	7:0	DATA	Top of endpoint data currently being loaded														

12.6.20 UDC Endpoint x Data Register (UDDR4/9/14)

UDDR4/9/14, shown in Table 12-31, is a double-buffered isochronous OUT endpoint that is 256 bytes deep. The UDC generates an interrupt or DMA request when the EOP is received. Because it is double-buffered, up to two packets of data may be ready. The data can be removed from the UDC via DMA or by a direct read from the Megacell. If one packet is being removed and the packet behind it has already been received, the UDC issues a NAK to the host the next time it sends an OUT packet to Endpoint(x). This NAK condition remains in place until a full packet space is available in the UDC at Endpoint(x).

These are read-only registers. Ignore reads from reserved bits.

Table 12-31. UDDR4/9/14 Bit Definitions

		0x 4060_0400 0x 4060_0900 0x 4060_0E00	UDDR4 UDDR9 UDDR14	USB Device Controller
Bit	31 30 29 28 27 26 25 24 23 22 21 20 19 18 17 16 15 14 13 12 11 10 9 8 7 6 5 4 3 2 1 0			
		reserved		8-bit Data
Reset	x x			0 0 0 0 0 0 0 0
Bits	Name	Description		
31:8	—	reserved		
7:0	DATA	Top of endpoint data currently being loaded		

12.6.21 UDC Endpoint x Data Register (UDDR5/10/15)

UDDR5/10/15, shown in Table 12-32, is an interrupt IN endpoint that is 8 bytes deep. Data must be loaded via direct Megacell writes. Because the USB system is a host initiator model, the host must poll Endpoint 5 to determine interrupt conditions. The UDC can not initiate the transaction.

Table 12-32. UDDR5/10/15 Bit Definitions

		0x 4060_00A0 0x 4060_00C0 0x 4060_00E0	UDDR5 UDDR10 UDDR15	USB Device Controller
Bit	31 30 29 28 27 26 25 24 23 22 21 20 19 18 17 16 15 14 13 12 11 10 9 8 7 6 5 4 3 2 1 0			
		reserved		8-bit Data
Reset	x x			0 0 0 0 0 0 0 0
Bits	Name	Description		
31:8	—	reserved		
7:0	DATA	Top of endpoint data currently being loaded		

12.7 USB Device Controller Register Summary

Table 12-33 shows the registers associated with the UDC and the physical addresses used to access them.

Table 12-33. USB Device Controller Register Summary (Sheet 1 of 3)

Address	Name	Description
0x4060_0000	UDCCR	UDC Control Register
0x4060_0004	—	reserved for future use
0x4060_0008	UDCCFR	UDC Control Function Register
0x4060_000C	—	reserved for future use

Table 12-33. USB Device Controller Register Summary (Sheet 2 of 3)

Address	Name	Description
0x4060_0010	UDCCS0	UDC Endpoint 0 Control/Status Register
0x4060_0014	UDCCS1	UDC Endpoint 1 (IN) Control/Status Register
0x4060_0018	UDCCS2	UDC Endpoint 2 (OUT) Control/Status Register
0x4060_001C	UDCCS3	UDC Endpoint 3 (IN) Control/Status Register
0x4060_0020	UDCCS4	UDC Endpoint 4 (OUT) Control/Status Register
0x4060_0024	UDCCS5	UDC Endpoint 5 (Interrupt) Control/Status Register
0x4060_0028	UDCCS6	UDC Endpoint 6 (IN) Control/Status Register
0x4060_002C	UDCCS7	UDC Endpoint 7 (OUT) Control/Status Register
0x4060_0030	UDCCS8	UDC Endpoint 8 (IN) Control/Status Register
0x4060_0034	UDCCS9	UDC Endpoint 9 (OUT) Control/Status Register
0x4060_0038	UDCCS10	UDC Endpoint 10 (Interrupt) Control/Status Register
0x4060_003C	UDCCS11	UDC Endpoint 11 (IN) Control/Status Register
0x4060_0040	UDCCS12	UDC Endpoint 12 (OUT) Control/Status Register
0x4060_0044	UDCCS13	UDC Endpoint 13 (IN) Control/Status Register
0x4060_0048	UDCCS14	UDC Endpoint 14 (OUT) Control/Status Register
0x4060_004C	UDCCS15	UDC Endpoint 15 (Interrupt) Control/Status Register
0x4060_0050	UICR0	UDC Interrupt Control Register 0
0x4060_0054	UICR1	UDC Interrupt Control Register 1
0x4060_0058	USIR0	UDC Status Interrupt Register 0
0x4060_005C	USIR1	UDC Status Interrupt Register 1
0x4060_0060	UFNHR	UDC Frame Number Register High
0x4060_0064	UFNLR	UDC Frame Number Register Low
0x4060_0068	UBCR2	UDC Byte Count Register 2
0x4060_006C	UBCR4	UDC Byte Count Register 4
0x4060_0070	UBCR7	UDC Byte Count Register 7
0x4060_0074	UBCR9	UDC Byte Count Register 9
0x4060_0078	UBCR12	UDC Byte Count Register 12
0x4060_007C	UBCR14	UDC Byte Count Register 14
0x4060_0080	UDDR0	UDC Endpoint 0 Data Register
0x4060_0100	UDDR1	UDC Endpoint 1 Data Register
0x4060_0180	UDDR2	UDC Endpoint 2 Data Register
0x4060_0200	UDDR3	UDC Endpoint 3 Data Register
0x4060_0400	UDDR4	UDC Endpoint 4 Data Register
0x4060_00A0	UDDR5	UDC Endpoint 5 Data Register
0x4060_0600	UDDR6	UDC Endpoint 6 Data Register
0x4060_0680	UDDR7	UDC Endpoint 7 Data Register
0x4060_0700	UDDR8	UDC Endpoint 8 Data Register
0x4060_0900	UDDR9	UDC Endpoint 9 Data Register

Table 12-33. USB Device Controller Register Summary (Sheet 3 of 3)

Address	Name	Description
0x4060_00C0	UDDR10	UDC Endpoint 10 Data Register
0x4060_0B00	UDDR11	UDC Endpoint 11 Data Register
0x4060_0B80	UDDR12	UDC Endpoint 12 Data Register
0x4060_0C00	UDDR13	UDC Endpoint 13 Data Register
0x4060_0E00	UDDR14	UDC Endpoint 14 Data Register
0x4060_00E0	UDDR15	UDC Endpoint 15 Data Register

13.1 Overview

The AC'97 Controller Unit (ACUNIT) of the PXA255 processor supports the AC'97 revision 2.0 features listed in [Section 13.2](#). The ACUNIT also supports audio controller link (AC-link). AC-link is a serial interface for transferring digital audio, modem, mic-in, CODEC register control, and status information.

The AC'97 CODEC sends the digitized audio samples that the ACUNIT stores in memory. For playback or synthesized audio production, the processor retrieves stored audio samples and sends them to the CODEC through the AC-link. The external digital-to-analog converter (DAC) in the CODEC then converts the audio samples to an analog audio waveform.

This chapter describes the programming model for the ACUNIT. The information in this chapter requires an understanding of the AC'97 revision 2.0 specification.

Note: The ACUNIT and the I²S Controller cannot be used at the same time.

13.2 Feature List

The processor ACUNIT supports the following AC'97 features:

- Independent channels for stereo Pulse Code Modulated (PCM) In, Stereo PCM Out, modem-out, modem-in and mono mic-in
All of the above channels support only 16-bit samples in hardware. Samples less than 16 bits are supported through software.
- Multiple sample rate AC'97 2.0 CODECs (48 kHz and below). The ACUNIT depends on the CODEC to control the varying rate.
- Read/write access to AC'97 registers
- Secondary CODEC support
- Three Receive FIFOs (32-bit, 16 entries)
- Two Transmit FIFOs (32-bit, 16 entries)

The processor ACUNIT does not support these optional AC'97 features:

- Double-rate sampling (n+1 sample for PCM L, R & C)
- 18- and 20-bit sample lengths

13.3 Signal Description

The AC'97 signals form the AC-link, which is a point-to-point synchronous serial interconnect that supports full-duplex data transfers. All digital audio streams, Modem line CODEC streams, and command/status information are communicated over the AC-link. The AC-link uses General Purpose I/Os (GPIOs). Software must reconfigure the GPIOs to use them as the AC-link. The AC-link pins are listed and described in [Table 13-1](#).

Table 13-1. External Interface to CODECs

Name	Direction	Description summary
nACRESET	O	Active-low CODEC reset. The CODEC's registers reset when nACRESET is asserted.
GP28/BITCLK	I	12.288 MHz bit-rate clock.
GP31/SYNC	O	48 kHz frame indicator and synchronizer.
GP30/SDATA_OUT	O	Serial audio output data to CODEC for digital-to-analog conversion.
GP29/SDATA_IN_0	I	Serial audio input data from Primary CODEC.
GP32/SDATA_IN_1	I	Serial audio input data from Secondary CODEC.

13.3.1 Signal Configuration Steps

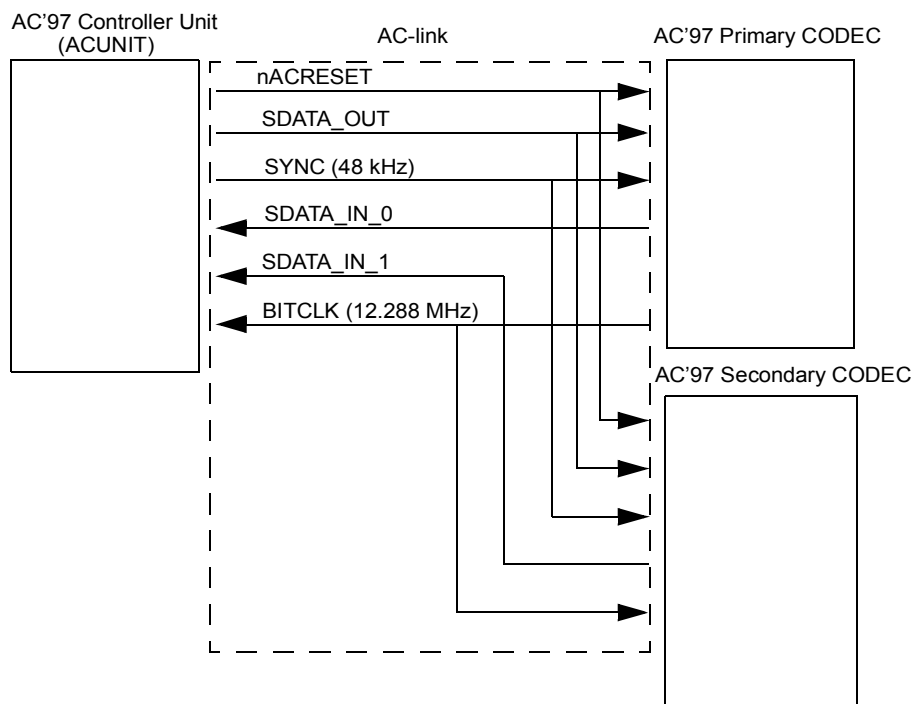
1. Configure SYNC and SDATA_OUT as outputs.
2. Configure BITCLK, SDATA_IN_0, and SDATA_IN_1 as inputs.
3. nACRESET is a dedicated output. It remains asserted on power-up. Complete these steps to deassert nACRESET:
 - a. Configure the other AC'97 signals as previously described.
 - b. In the Global Control Register (GCR), Set the GCR[COLD_RST] bit. Refer to [Table 13-7](#) for more details.

Note: Refer to [Section 4.1.3, "GPIO Register Definitions"](#) on page 4-6 for details on programming the GPDR and GAFR for use with the ACUNIT.

13.3.2 Example AC-link

[Figure 13-1](#) shows an example interconnect for an AC-link. The ACUNIT supports one or two CODECs on the AC-link. SDATA_IN_1 is not needed if only a Primary CODEC is connected.

Figure 13-1. Data Transfer Through the AC-link



13.4 AC-link Digital Serial Interface Protocol

Each AC'97 CODEC incorporates a five-pin digital serial interface that links it to the ACUNIT. AC-link is a full-duplex, fixed-clock, PCM digital stream. It employs a time division multiplexed (TDM) scheme to handle control register accesses and multiple input and output audio streams. The AC-link architecture divides each audio frame into 12 outgoing and 12 incoming data streams. Each stream has 20-bit sample resolution, but only 16-bit samples are supported in hardware. Each stream requires a DAC or an analog-to-digital converter (ADC), both having a minimum 16-bit resolution. The ACUNIT supports the data streams shown in Table 13-2.

Table 13-2. Supported Data Stream Formats (Sheet 1 of 2)

Channel	Slots	Comments
PCM Playback	Two output slots	Two-channel composite PCM output stream
PCM Record data	Two input slots	Two-channel composite PCM input stream
CODEC control	Two output slots	Control register write port
CODEC status	Two input slots	Control register read port
Modem Line CODEC Output	One output slot	Modem line CODEC DAC input stream
Modem Line CODEC Input	One input slot	Modem line CODEC ADC output stream

Table 13-2. Supported Data Stream Formats (Sheet 2 of 2)

Channel	Slots	Comments
Dedicated Microphone Input	One input slot	Dedicated microphone input stream in support of stereo AEC and other voice applications.
I/O Control	One output slot	One slot dedicated to GPOs on the modem CODEC.
I/O Status	One input slot	One slot dedicated to status from GPs on the modem CODEC. Data is returned on every frame.

The ACUNIT provides synchronization for all data transaction on the AC-link. A data transaction is made up of 256 bits of information broken up into groups of 13 time slots and is called a frame. Time slot 0 is called the Tag Phase and is 16 bits long. The other 12 time slots are called the Data Phase. The Tag Phase contains one bit that identifies a valid frame and 12 bits that identify the time slots in the Data Phase that contain valid data. Each time slot in the Data Phase is 20 bits long.

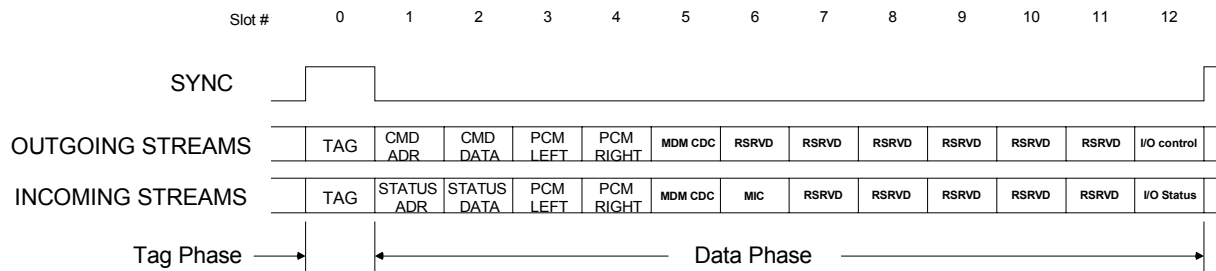
A frame begins when SYNC goes high. The amount of time that SYNC is high corresponds to the Tag Phase. AC'97 frames occur at fixed 48 kHz intervals and are synchronous to the 12.288 MHz bit rate clock, BITCLK.

The ACUNIT and the CODEC use the SYNC and BITCLK to determine when to send transmit data and when to sample receive data. A transmitter transitions the serial data stream on each rising edge of BITCLK and a receiver samples the serial data stream on each falling edge of BITCLK. The transmitter must tag the valid slots in its serial data stream. The valid slots are tagged in slot 0.

Serial data on the AC-link is ordered most significant bit (MSB) to least significant bit (LSB). The Tag Phase's first bit is bit 15 and the first bit of each slot in Data Phase is bit 19. The last bit in any slot is bit 0.

Figure 13-2 shows Tag and Data Phase organization for the ACUNIT and the CODEC. The figure also lists the slot definitions that the ACUNIT supports.

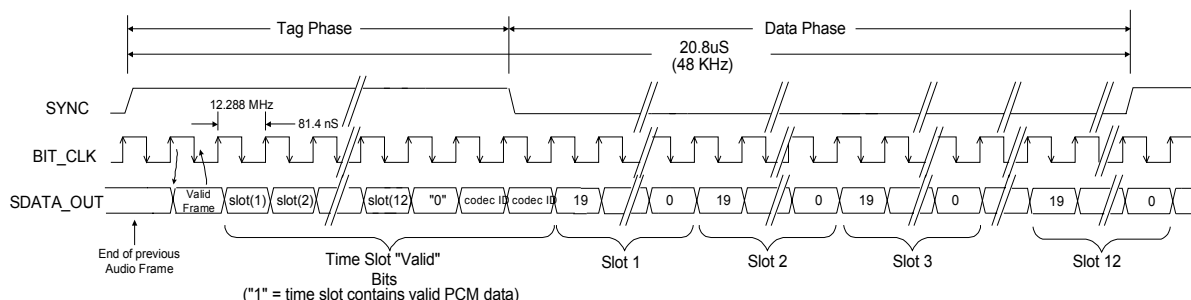
Figure 13-2. AC'97 Standard Bidirectional Audio Frame



13.4.1 AC-link Audio Output Frame (SDATA_OUT)

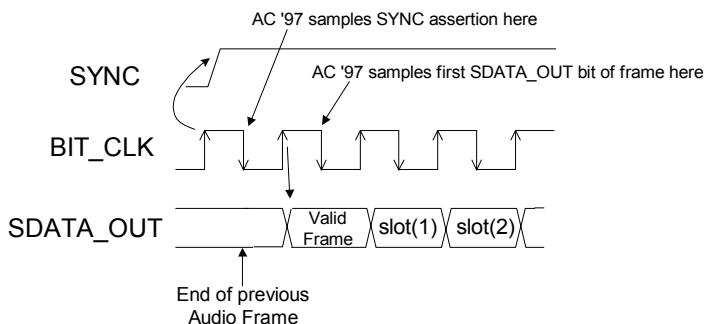
The audio output frame data stream corresponds to the multiplexed bundles that make up the digital output data that targets the AC'97 DAC inputs and control registers. Each audio output frame supports up to twelve 20-bit outgoing data time slots. The ACUNIT does not generate samples larger than 16 bits. The four least significant bits are padded with zeroes.

Figure 13-3. AC-link Audio Output Frame



A new audio output frame begins with a low-to-high SYNC transition synchronous to BITCLK's rising edge. BITCLK's falling edge immediately follows and AC'97 samples SYNC's assertion. BITCLK's falling edge marks the instance that AC-link's sides are each aware that a new audio frame has started. On BITCLK's next rising edge, the ACUNIT transitions SDATA_OUT into the slot 0's first bit position (valid frame bit). Each new bit position is presented to AC-link on a BITCLK rising edge and then sampled by AC'97 on the following BITCLK falling edge. This sequence ensures that data transitions and subsequent sample points for both incoming and outgoing data streams are time aligned.

Figure 13-4. Start of Audio Output Frame



The SDATA_OUT composite stream is MSB-justified (MSB first). The ACUNIT fills all non-valid slot bit positions with zeroes. If fewer than 20 valid bits exist in an assigned valid time slot, the ACUNIT stuffs all trailing non-valid bit positions of the 20-bit slot with zeroes.

For example, if a 16-bit sample stream is being played to an AC'97 DAC, the first 16 bit positions are presented to the DAC MSB-justified. They are followed by the next four bit positions that the ACUNIT stuffs with zeroes. This process ensures that the least significant bits do not introduce any DC biasing, regardless of the implemented DAC's resolution (16-, 18-, or 20-bit).

Note: When the ACUNIT transmits mono audio sample streams, software must ensure that the left and right sample stream time slots are filled with identical data.

13.4.1.1 Slot 0: Tag Phase

In slot 0, the first bit is a global bit (SDATA_OUT slot 0, bit 15) that flags the validity for the entire audio frame. If the valid frame bit is a 1, the current audio frame contains at least one slot time of valid data. The next 12 bit positions sampled by AC'97 indicate which of the corresponding 12 time slots contain valid data. Bits 0 and 1 of slot 0 are used as CODEC ID bits for I/O reads and writes to the CODEC registers as described in the next section. This way, data streams of differing sample rates can be transmitted across AC-link at its fixed 48 kHz audio frame rate. The CODEC can control the output sample rate of the ACUNIT using the SLOTRREQ bits as described later (in the Input frame description).

13.4.1.2 Slot 1: Command Address Port

Slot 1 is the Command Address Port. Slot 1 (in conjunction with the Command Data Port of Slot 2) controls features and monitors status for AC'97 functions including, but not limited to, mixer settings and power management (refer to AC'97 Specification revision 2.0 for more details).

The control-interface architecture supports up to sixty-four 16-bit read/write registers, addressable on even byte boundaries. Only accesses to even registers (0x00, 0x02, etc.) are valid. Accesses to odd registers (0x01, 0x03, etc.) are not valid.

Audio output frame slot 1 communicates control register address and write/read command information to the ACUNIT.

Two CODECs are connected to the single SDATA_OUT. To address the primary and secondary CODECs individually, follow these steps:

To access the primary CODEC:

1. Set the Valid Frame bit (slot 0, bit 15)
2. Set the valid bits for slots 1 and 2 (slot 0, bits 14 and 13)
3. Write 0b00 to the CODEC ID field (slot 0, bits 1 and 0)
4. Specify the read/write direction of the access (slot 1, bit 19).
5. Specify the index to the CODEC register (slot 1, bits 18-12)
6. If the access is a write, write the data to the command data port (slot 2, bits 19-4)

To access the secondary CODEC:

1. Set the Valid Frame bit (slot 0, bit 15)
2. Clear the valid bits for slots 1 and 2 (slot 0, bits 14 and 13)
3. Write a non-zero value (0b01, 0b10, 0b11) to the CODEC ID field (slot 0, bits 1 and 0)
4. Specify the read/write direction of the access (slot 1, bit 19).
5. Specify the index to the CODEC register (slot 1, bits 18-12)
6. If the access is a write, write the data to the command data port (slot 2, bits 19-4).

Table 13-3. Slot 1 Bit Definitions

Bit	Name	Description
Bit(19)	RW	1 = read, 0 = write
Bit(18:12)	IDX	Code register index
Bit(11:0)	reserved	Stuff with 0s

Only one I/O cycle can be pending across the AC-link at any time. The ACUNIT uses write and read posting on I/O accesses across the link. For example, read data from a CODEC register is not sent over the AC-link (Slot 2 of incoming stream) within the same frame that the read request is sent.

For CODEC reads, the ACUNIT gives the CODEC a maximum of four subsequent frames to respond -- if no response is received, the ACUNIT returns a dummy read completion (0xFFFF_FFFF) to the CPU and sets the Read Completion Status (RDCS) bit of the Global Status Register (GSR).

The CAIP bit of the CODEC Access Register (CAR) is used to assure that only one I/O cycle occurs across the AC-link at any time. Software must read the CAIP bit before initiating an I/O cycle. If the CAIP bit reads as a one, another driver is performing an I/O cycle; if the CAIP bit reads as a zero, a new I/O cycle can be initiated.

The exception to posted accesses is reads to the CODEC GPIO Pin Status register (address 0x54). CODEC GPIO Pin Status read data is sent by the CODEC over the AC-link in the same frame that the read request was sent to the CODEC. The CODEC GPIO Pin Status read data is sent in Slot 12 of the incoming stream. A CODEC with a GPIO Pin Status register must constantly send the status of the register in slot 12.

13.4.1.3 Slot 2: Command Data Port

Slot 2 is the Command Data Port. Slot 2 (in conjunction with the Command Address Port of Slot 1) delivers 16-bit control register write data in the event that the current command port operation is a write cycle (as indicated by slot 1, bit 19).

Table 13-4. Slot 2 Bit Definitions

Bit	Name	Description
Bit(19:4)	Control register write data	Stuffed with 0s if current operation is a read
Bit(3:0)	reserved	Stuffed with 0s

If the current command port operation is a read, the ACUNIT fills Slot 2 with zeroes.

13.4.1.4 Slot 3: PCM Playback Left Channel

Slot 3 contains the composite digital audio left playback stream. If the playback stream contains an audio sample with a resolution that is less than 20 bits, the ACUNIT fills all trailing non-valid bit positions with zeroes.

13.4.1.5 Slot 4: PCM Playback Right Channel

Slot 4 is the composite digital audio right playback stream. If the playback stream contains an audio sample with a resolution that is less than 20 bits, the ACUNIT fills all trailing non-valid bit positions with zeroes.

13.4.1.6 Slot 5: Modem Line CODEC

Slot 5 contains the MSB justified modem DAC input data if the modem line CODEC is supported. The optional modem DAC input resolution can be implemented as 16, 18, or 20 bits. If the modem line CODEC is supported, the ACUNIT driver determines the DAC resolution at boot time. During normal runtime operation, the ACUNIT fills all trailing non-valid bit positions in the Slot 5 with zeroes. The modem line CODEC may be a separate CODEC on the secondary line or it may be integrated with the audio CODEC.

13.4.1.7 Slots 6-11: Reserved

These slots are reserved for future use. The ACUNIT fills them with zeroes.

13.4.1.8 Slot 12: I/O Control

Slot 12 contains 16 MSB bits for GPO Status (output). The following rules govern the use of Slot 12:

1. Slot 12 is initially marked invalid by default.
2. A write to address 0x54 in CODEC IO space (using Slot 1 and Slot 2 in the outgoing stream of the present frame) results in the same write data (sent in Slot 2 of the present outgoing frame) being sent in Slot 12 of the next outgoing frame, where Slot 12 is then marked as valid.
3. After the first write to address 0x54, Slot 12 remains valid for all subsequent frames. The data transmitted on Slot 12 is the data last written to address 0x54. Any subsequent write to the register sends the new data out on the next frame.
4. Following a system reset or AC'97 cold reset, Slot 12 is invalidated. Slot 12 remains invalid until the next write to address 0x54.

13.4.2 AC-link Audio Input Frame (SDATA_IN)

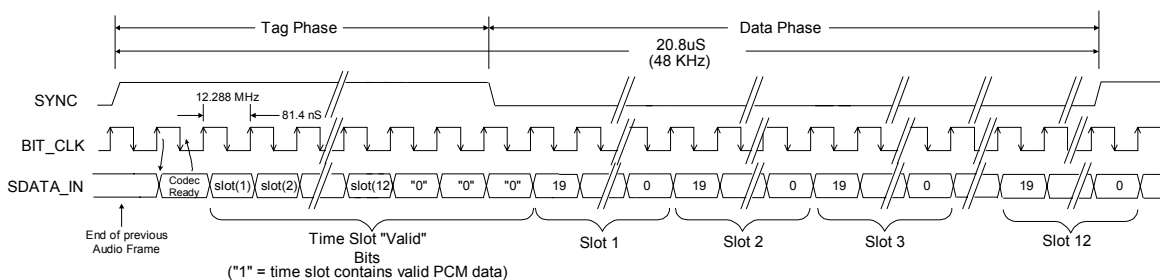
The ACUNIT has two SDATA_IN lines, one primary and one secondary. Each line can have CODECs attached. The type of CODEC attached determines which slots are valid or invalid. The data slots on the two inputs are completely orthogonal, i.e., no two data slots at the same location will be valid on both lines.

Multiple input data streams are received and multiplexed on slot boundaries as dictated by the slot valid bits in each stream. Each AC-link audio input frame consists of twelve 20-bit time slots. Slot 0 is reserved and contains 16 bits that are used for AC-link protocol infrastructure.

Software must poll the first bit in the audio input frame (SDATA_IN slot 0, bit 15) for an indication that the CODEC is in the CODEC ready state before it places the ACUNIT into data transfer operation. When the "CODEC is ready" state is sampled, the next 12 sampled bits indicate which of the 12 time slots are assigned to input data streams and whether they contain valid data.

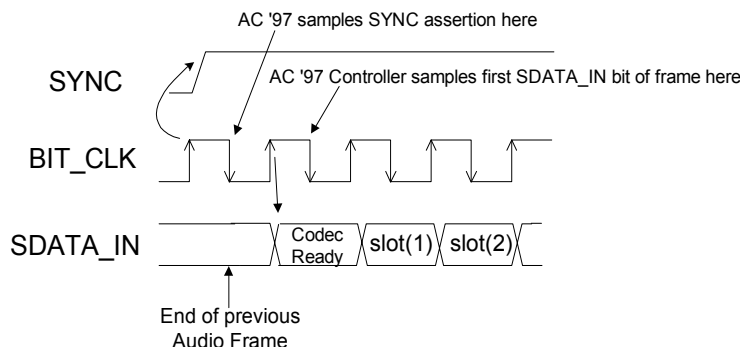
[Figure 13-5, "AC'97 Input Frame"](#) illustrates the time slot-based AC-link protocol.

Figure 13-5. AC'97 Input Frame



A new audio input frame begins when SYNC transitions from low to high. The low to high transition is synchronous to BITCLK's rising edge. On BITCLK's next falling edge, AC'97 samples SYNC's assertion. This falling edge marks the moment that AC-link's sides are each aware that a new audio frame has started. The next time BITCLK rises, the ACUNIT transitions SDATA_IN to the first bit position in slot 0 (CODEC ready bit). Each new bit position is presented to AC-link on a BITCLK's rising edge and then sampled by ACUNIT on the following BITCLK's falling edge. This sequence ensures that data transitions and subsequent sample points are time aligned for both incoming and outgoing data streams.

Figure 13-6. Start of an Audio Input Frame



The SDATA_IN composite stream is MSB justified (MSB first) and the AC'97 CODEC fills non-valid bit positions with zeroes. SDATA_IN data is sampled on BITCLK's falling edge.

13.4.2.1 Slot 0: Tag Phase

In Slot 0, the first bit is a global bit (SDATA_IN slot 0, bit 15) that indicates whether or not the CODEC is in the CODEC ready state. If the CODEC Ready bit is a 0, the CODEC is not ready for operation. This condition is normal after power is asserted on reset, i.e., while the CODEC voltage references are settling. When the AC-link CODEC Ready indicator bit is a one, the AC-link and AC'97 control and status registers are fully operational. The ACUNIT must probe the CODEC Powerdown Control/Status register to determine which subsections are ready.

CODEC Ready, sent by the CODEC on its data out stream in bit 15 of Slot 0, is not expected to change during normal operation. The AC'97 Specification revision 2.0 requires that a CODEC only change its CODEC Ready status in response to a power down (PR) state change issued by the ACUNIT. The ACUNIT's hardware by itself does not monitor the CODEC Ready for the purpose of sending or receiving data. The ACUNIT stores CODEC Ready in the PCR bit of the GSR for a primary CODEC and SCR bit of the GSR for a secondary CODEC. Software should monitor PCR or SCR to trigger a DMA or a programmed I/O operation. The ACUNIT only samples CODEC Ready valid once and then ignores it for subsequent frames. CODEC Ready is only resampled after a PR state change.

13.4.2.2 Slot 1: Status Address Port/SLOTREQ bits

Slot 1 is the Status Address Port. Slot 1 monitors the status of ACUNIT functions including, but not limited to, mixer settings and power management.

Slot 1 echoes the control register index for the data to be returned in Slot 2, if the ACUNIT tags Slot 1 and Slot 2 as valid during Slot 0.

The ACUNIT only accepts status data (Slot 2 of incoming stream) if the accompanying control register index (Slot 1 of incoming stream) matches the last valid control register index that was sent in Slot 1 of the outgoing stream of the most recent previous frame.

For multiple sample rate output, the CODEC examines its sample-rate control registers, its FIFOs' states, and the incoming SDATA_OUT tag bits at the beginning of each audio output frame to determine which SLOTREQ bits to set active (low). SLOTREQ bits asserted during the current audio input frame indicate which output slots require data from the ACUNIT in the next audio output frame. For fixed 48 kHz operation, the SLOTREQ bits are set active (low), and a sample is transferred during each frame.

For multiple sample-rate input, the tag bit for each input slot indicates whether valid data is present.

Again, Slot 1 delivers a CODEC control register index and multiple "sample-rate slot request flags" for all output slots. AC'97 defines the ten least significant bits of Slot 1 as CODEC on-demand data request flags for outgoing stream Slots 3-12. For two-channel audio, only data-request flags corresponding to slots 3 and 4 are meaningful.

Table 13-5. Input Slot 1 Bit Definitions (Sheet 1 of 2)

Bit	Description
19	reserved (Filled with zero)
18-12	Control register Index (Filled with zeroes if AC'97 tags it invalid)
11	Slot 3 request: PCM Left channel
10	Slot 4 request: PCM Right channel
9	Slot 5 request: Modem Line 1
8	Slot 6 request: NA
7	Slot 7 request: NA
6	Slot 8 request: NA
5	Slot 9 request: NA

Table 13-5. Input Slot 1 Bit Definitions (Sheet 2 of 2)

4	Slot 10 request: NA
3	Slot 11 request: NA
2	Slot 12 request: NA
1,0	reserved (Filled with zero)

SLOTREQ bits are independent of the Control Register Index bits.

Note: Slot requests for Slot 3 and Slot 4 are always set or cleared in tandem (both are set or both are cleared).

13.4.2.3 Slot 2: Status Data Port

Slot 2 delivers 16-bit control register read data.

Table 13-6. Input Slot 2 Bit Definitions

Bit	Name	Description
Bit(19:4)	Control register read data	Filled with data
Bit(3:0)	reserved	Filled with zeroes

Note: If Slot 2 is tagged invalid, the CODEC fills the entire slot with zeroes.

13.4.2.4 Slot 3: PCM Record Left Channel

Slot 3 contains the CODEC left channel output.

The CODEC transmits its ADC output data (MSB first) and fills any trailing non-valid bit positions with zeroes.

13.4.2.5 Slot 4: PCM Record Right Channel

Slot 4 contains the CODEC right-channel output.

The CODEC transmits its ADC output data (MSB first), and fills any trailing non-valid bit positions with zeroes.

13.4.2.6 Slot 5: Optional Modem Line CODEC

Slot 5 contains MSB justified line modem ADC output data (if the line modem CODEC is supported).

The ACUNIT only supports a 16-bit ADC output resolution from the optional line modem.

13.4.2.7 Slot 6: Optional Dedicated Microphone Record Data

Slot 6 contains an optional third PCM system-input channel available for dedicated use by a microphone. This input channel supplements a true stereo output to enable a more precise echo-cancellation algorithm for speakerphone applications.

The ACUNIT only supports a 16-bit resolution from the microphone.

13.4.2.8 Slots 7-11: Reserved

Slots 7-11 are reserved for future use. The ACUNIT ignores them.

13.4.2.9 Slot 12: I/O Status

GPIOs which are configured as inputs return their status in Slot 12 of every frame. Only the 16 MSBs are used to return GPIO status. Bit 0 in the LSBs indicates a GPI Input Interrupt event. See the AC'97 revision 2.0 spec for more information.

The data returned on the latest frame is also accessible to software through the CODEC register at address 0x54 in the modem CODEC I/O space. Data received in Slot 12 is stored internally in the ACUNIT. So when software initiates a read of the CODEC register at address 0x54 in the modem CODEC I/O space, the read data is already inside the ACUNIT.

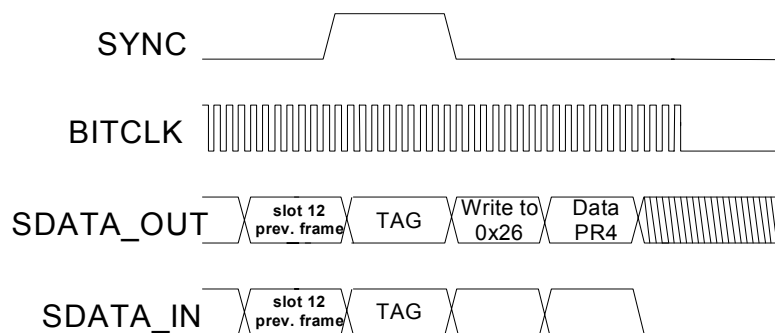
13.5 AC-link Low Power Mode

Software must set the ACLINK_OFF bit of the GCR to one before the processor enters Sleep Mode. The ACUNIT then drives SYNC and SDATA_OUT to a logic low level. The ACUNIT maintains nACRESET high when ACLINK_OFF is set to one.

13.5.1 Powering Down the AC-link

The AC-link signals enter a low power mode after the PR4 bit of the AC'97 CODEC Powerdown Register (0x26) is set to a 1 (by writing 0x1000). Then, the Primary CODEC drives both BITCLK and SDATA_IN to a logic low voltage level. The sequence follows the timing diagram shown in Figure 13-7.

Figure 13-7. AC-link Powerdown Timing



Note: BITCLK not to scale

The ACUNIT transmits the write to the Powerdown Register (0x26) over the AC-link. Set up the ACUNIT so that it does not transmit data in Slots 3-12 when it writes 0x1000 to the PR4 bit of the Powerdown Register. AC'97 revision 2.0 does not require the CODEC to process other data when it receives a power down request. When the CODEC receives the power down request, it immediately transitions BITCLK and SDATA_IN to a logic low level.

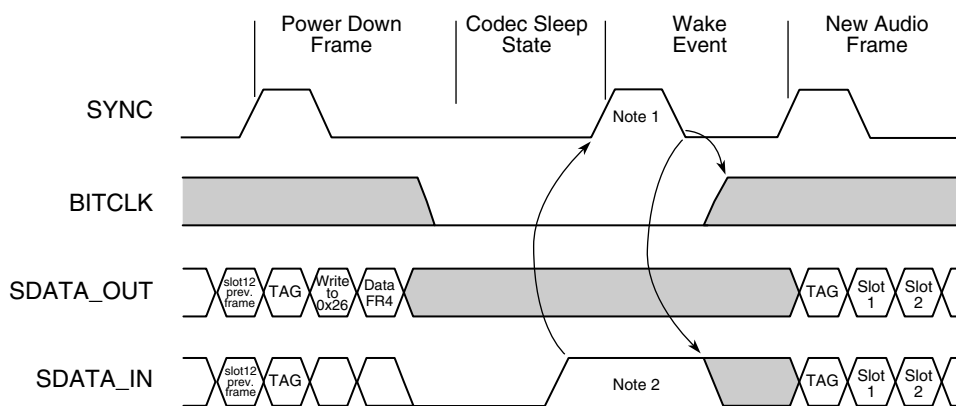
13.5.2 Waking up the AC-link

13.5.2.1 Wake up triggered by the CODEC

To wake up the AC-link, a CODEC drives SDATA_IN to a logic high level. The rising edge triggers the Resume Interrupt if that CODEC's resume enable bit is set to a one. The CPU then wakes up the CODEC using the cold or warm reset sequence. The ACUNIT uses a warm reset to wake up the primary CODEC. The CODEC detects a warm reset when SYNC is driven high for a minimum of one microsecond and the BITCLK is absent. The CODEC must wait until it samples SYNC low before it can start BITCLK. The CODEC that signaled the wake event must keep its SDATA_IN high until it detects that a warm reset has been completed. The CODEC can then transition its SDATA_IN low.

Figure 13-8 shows the AC-link timing for a wake up triggered by a CODEC. Because the processor may need to be awakened, the Power Management unit detects the AC'97 wake-up event (SDATA_IN high for more than one microsecond). When the ACUNIT is ready, it responds to the wake-up event by asserting a warm or cold reset (see Figure 13-8). A Modem CODEC may require the capacity to wake up the AC-link to report events such as Caller-ID and wake-up-on-ring.

Figure 13-8. SDATA_IN Wake Up Signaling



- Notes:
- After SDATA_IN goes high, SYNC must be held for a minimum of 1 μ Sec.
 - The minimum SDATA_IN wake up pulse width is 1 μ Sec.
 - BITCLK not to scale.

B1027-01

NOTES:

1. After SDATA_IN goes high, SYNC must be held for a minimum of 1 μ Sec.
2. The minimum SDATA_IN wake up pulse width is 1 μ Sec.
3. BITCLK not to scale

13.5.2.2 Wake Up Triggered by the ACUNIT

AC-link protocol provides for a cold AC'97 reset and a warm AC'97 reset. The current power-down state ultimately dictates which AC'97 reset is used. Registers must stay in the same state during all power-down modes unless a cold AC'97 reset is performed. In a cold AC'97 reset, the AC'97 registers are initialized to their default values.

After a power down, the AC-link must wait for a minimum of four audio frame times after the frame in which the power down occurred before it can be reactivated by reasserting the SYNC signal. When AC-link powers up, it indicates readiness through the CODEC ready bit (input slot 0, bit 15).

13.5.2.2.1 Cold AC'97 Reset

A cold reset is generated when the nACRESET pin is asserted by software setting the COLD_RST bit of the GCR to zero. Asserting and deasserting nACRESET activates SDATA_OUT and causes the CODEC to activate BITCLK. All AC'97 control registers are initialized to their default power-on reset values. nACRESET is an asynchronous input to the AC'97 CODEC.

13.5.2.2.2 Warm AC'97 Reset

A warm AC'97 reset reactivates the AC-link without altering the current AC'97 register values. A warm reset is generated by software setting the WARM_RST bit of the GCR to one. When BITCLK is absent, generation of a warm reset results in SYNC being driven high for a minimum of one microsecond. The CODEC must not activate BITCLK until it samples SYNC low again. This prevents a new audio frame from being falsely detected.

13.6 ACUNIT Operation

The ACUNIT can be accessed through the processor or the DMA controller. The processor uses programmed I/O instructions to access the ACUNIT, and it can access four register types:

- ACUNIT registers: Accessible at 32-bit boundaries. They are listed in [Section 13.8.3](#).
- CODEC registers: An audio or modem CODEC can contain up to sixty-four 16-bit registers. A CODEC uses a 16-bit address boundary for registers. The ACUNIT supplies access to the CODEC registers by mapping them to its 32-bit address domain boundary. [Section 13.8.3.17](#) describes the mapping from the 32-bit to 16-bit boundary. A write or read operation that targets these registers is sent across the AC-link.
- Modem CODEC GPIO register: If the ACUNIT is connected to a modem CODEC, the CODEC GPIO register can also be accessed. The CODEC GPIO register uses access address 0x0054 in the CODEC domain. The GPIO write operation goes across the AC-link, but a read does not. The GPIO register contents are continuously updated into a shadow register in the ACUNIT when a frame is received from the CODEC. When the processor tries to read the CODEC GPIO register, this shadow register is read instead.
- ACUNIT FIFO data: The ACUNIT has two Transmit FIFOs for audio-out and modem-out and three receive FIFOs for audio-in, modem-in, and mic-in. Data enters the transmit FIFOs by writing to either the PCM Data Register (PCDR) or the Modem Data Register (MODR).

Receive FIFO entries are read through the PCDR, the MODR, or the Mic-in Data Register (MCDR).

Note: After it is enabled, the ACUNIT requests the DMA to fill the transmit FIFO.

Note: The ACUNIT registers do not store the status of DMA requests or information regarding the number of data samples in each FIFO. As a result, programmed I/O must not be used in place of DMA requests for data transfers.

Only the DMA can access the FIFOs. The DMA controller accesses FIFO data in 8-, 16-, or 32-byte blocks. The DMA request thresholds are not programmable. The ACUNIT makes a transmit DMA request when the transmit FIFO has less than 32 bytes. The ACUNIT makes a receive DMA request when the receive FIFO has 32 bytes or more. Regardless of burst size, the DMA descriptor length must be a multiple of 32 bytes to prevent audio artifacts from being introduced onto the AC-link.

The DMA controller responds to the following ACUNIT DMA requests:

- PCM FIFO transmit and receive DMA requests made when the PCM transmit and receive FIFOs are half full.
- Modem FIFO transmit and receive DMA requests made when the modem transmit and receive FIFOs are half full.
- Mic-in receive DMA requests made when the Mic-in receive FIFO is half full.

13.6.1 Initialization

The AC'97 CODEC and ACUNIT are reset on power up. After power up, the nACRESET signal remains asserted until the audio or modem driver sets the COLD_RST bit of the GCR to one. During operation, clearing the COLD_RST bit to zero resets the ACUNIT and CODEC. To initialize the ACUNIT follow these steps:

1. Program the GPIO Direction register and GPIO Alternate Function Select register to assign proper pin directions for the ACUNIT ports. Refer to [Section 13.3](#) for details.
2. Set the COLD_RST bit of the GCR to one to deassert nACRESET. Until this is done, all other registers remain in a reset state. Deasserting nACRESET has the following effects:
 - a. Frames filled with zeroes are transmitted because the transmit FIFO is still empty. This situation does not cause an error condition.
 - b. The ACUNIT records zeroes until the CODEC sends valid data.
 - c. DMA requests are enabled.
3. Enable the Primary Ready Interrupt Enable and/or the Secondary Ready Interrupt Enable by setting the PRIRDY_IEN bit and/or the SECRDY_IEN bit of the GCR to one.
4. Software enables DMA operation in response to primary and secondary ready interrupts.
5. The ACUNIT triggers transmit DMA requests. The DMA fills the transmit FIFO in response.
6. The ACUNIT continues to transmit zeroes until the transmit FIFO is half full. When it is half full, valid transmit FIFO data is sent across the AC-link.

Note: When nACRESET is deasserted, a read to the CODEC Mixer register returns the type of hardware that resides in the CODEC. If the CODEC is not present or if the AC'97 is not supported, the



ACUNIT does not set the CODEC-ready bit, GCR[PCRDY] for the Primary CODEC or GCR[SCRDY] for the Secondary CODEC.

13.6.2 Trailing bytes

Trailing bytes in the transmit and receive FIFOs are handled as follows:

If the transmit buffers do not have 32-byte resolution, the trailing bytes in the Transmit FIFO are not transmitted. A transmit buffer must be padded with zeroes if it is smaller than a multiple of 32 bytes. Regardless of burst size, the DMA descriptor length must be a multiple of 32 bytes to prevent audio artifacts from being introduced onto the AC-link.

If the CODEC transmitted data has a total buffer size smaller than a multiple of 32 bytes, zeroes are recorded. A receive DMA request is made when the receive FIFO is half-full.

13.6.3 Operational Flow for Accessing CODEC Registers

Software accesses the CODEC registers by translating a 32-bit processor physical address to a 7-bit CODEC address. For details regarding the address translation, refer to [Section 13.8.3.17](#).

Software must read the CODEC Access Register (CAR) to lock the AC-link. The AC-link is free if the CAIP bit of the CAR is zero. For details about the CAR, refer to [Table 13-13](#).

A read access to the CAR sets the CAIP bit. The ACUNIT clears the CAIP bit when the CODEC-write or CODEC-read operation completes. Software can also clear the CAIP bit by writing a zero to it.

After it locks the AC-link, software can write or read a CODEC register using the appropriate processor physical address.

The ACUNIT sets the CDONE bit of the GSR to one after the completion of a CODEC write operation. For details, refer to [Table 13-8](#). Software clears this bit by writing a 1 to it.

To read a CODEC, the software must complete the following steps:

1. Software issues a dummy read to the CODEC register. The ACUNIT responds to this read operation with invalid data. The ACUNIT then initiates the read access across the AC-link.
2. When the CODEC read operation completes, the ACUNIT sets the SDONE bit of the GSR to one. For details, refer to [Table 13-8](#). Software clears this bit by writing a 1 to it.
3. Software repeats the read operation as detailed in Step 1. The ACUNIT now returns the data sent by the CODEC. The second read operation also initiates a read access across the AC-link.
4. The ACUNIT times-out the read operation if the CODEC fails to respond in four SYNC frames. In this case, the second read operation returns a timed-out data value of 0x0000_FFFF.

13.7 Clocks and Sampling Frequencies

By default, the ACUNIT transmits and receives data at a sampling frequency of 48 kHz. It can, however, sample data at frequencies less than 48 kHz if the CODEC supports on-demand slot requests. The CODEC in this case executes a certain algorithm and informs the ACUNIT not to transmit valid data in certain frames. For example, if the ACUNIT sends out 480 frames, and the CODEC instructs the ACUNIT not to send valid data in 39 of those 480 frames, the CODEC would have in effect sampled data at 44.1 kHz. When the CODEC transmits data (ACUNIT-receive mode), it can use the same algorithm to transmit valid frames with some empty ones mixed in between.

All data transfers across the AC-link are synchronized to SYNC's rising edge. The ACUNIT divides the BITCLK by 256 to generate the SYNC signal. This calculation yields a 48 kHz SYNC signal, and its period defines a frame. Data is transitioned on AC-link on every BITCLK rising edge and subsequently sampled on AC-link's receiving side on each following BITCLK falling edge. For a timing diagram see [Figure 13-3](#).

The ACUNIT synchronizes data between two different clock domains: the BITCLK and an internal system clock. This internal system clock is always half the run mode frequency. The run mode frequency is equal to or greater than eight times the BITCLK frequency.

13.8 Functional Description

The functional description section applies to all channels.

13.8.1 FIFOs

The ACUNIT has five FIFOs:

- PCM Transmit FIFO, with sixteen 32-bit entries.
- PCM Receive FIFO, with sixteen 32-bit entries.
- Modem Transmit FIFO, with sixteen 32-bit entries (upper 16 bits must always be zero).
- Modem Receive FIFO, with sixteen 32-bit entries (upper 16 bits are always zero).
- Mic-in Receive FIFO, with sixteen 32-bit entries (upper 16 bits are always zero).

A receive FIFO triggers a DMA request when the FIFO has eight or more entries. A transmit FIFO triggers a DMA request when it holds less than eight entries. A transmit FIFO must be half full (filled with eight entries) before any data is transmitted across the AC-link.

13.8.1.1 Transmit FIFO Errors

Channel-specific status bits are updated during transmit under-run conditions and will trigger interrupts if enabled. Refer to [Table 13-11](#) and [Table 13-20](#) for details regarding the status bits. During transmit under-run conditions, the last valid sample is continuously sent out across the AC-link. A transmit under-run can occur under the following conditions:

- Valid transmit data is still available in memory but the DMA controller starves the transmit FIFO because it is servicing other higher priority peripherals.
- The DMA controller has transferred all valid data from memory to the transmit FIFO. This prompts the last valid sample to be echoed across the AC-link until nACRESET is asserted to turn off the ACUNIT.

13.8.1.2 Receive FIFO Errors

Channel-specific status bits are updated during receive overrun conditions and trigger interrupts when enabled. Refer to [Table 13-12](#), [Table 13-16](#), and [Table 13-21](#) for details regarding the status bits. During receive over-run conditions, data that the CODEC sends is not recorded.

13.8.2 Interrupts

The following status bits interrupt the processor when the interrupts are enabled:

- Mic-in FIFO error: Mic-in Receive FIFO's over-run or under-run error.
- Modem-in FIFO error: Modem Receive FIFO's over-run or under-run error.
- PCM-in FIFO error: Audio Receive FIFO's over-run or under-run error.
- Modem-out FIFO error: Modem Transmit FIFO's over-run or under-run error.
- PCM-out FIFO error: Audio Transmit FIFO's over-run or under-run error.
- Modem CODEC GPI status change interrupt: Interrupts the CPU if bit 0 of Slot 12 is set. This indicates a change in one of the bits in the modem CODEC's GPIO register.
- Primary CODEC resume interrupt: Sets a status register bit when the Primary CODEC resumes from a lower power mode. Software writes a one to this bit to clear it.
- Secondary CODEC resume interrupt: Sets a status register bit when the Secondary CODEC resumes from a lower power mode. Software writes a one to this bit to clear it.
- CODEC command done interrupt: Interrupts the CPU when a CODEC register's command is completed. Software writes a one to this bit to clear it.
- CODEC status done interrupt: Interrupts the CPU when a CODEC register's status address and data reception are completed. Software writes a one to this bit to clear it.
- Primary CODEC ready interrupt: Sets a status register bit when the Primary CODEC is ready. The CODEC sets bit 0 of Slot 0 on the input frame to signal that it is ready. Software clears the PRIRDY_IEN bit of the GCR to clear this interrupt.
- Secondary CODEC ready interrupt: Sets a status register bit when the Secondary CODEC is ready. The CODEC sets bit 0 of Slot 0 on the input frame to signal that it is ready. Software clears the SECRDY_IEN bit of the GCR to clear this interrupt.

13.8.3 Registers

The ACUNIT and CODEC registers are mapped in addresses ranging from 0x4050_0000 through 0x405F_FFFF. All ACUNIT registers are 32-bit addressable. Even though a CODEC has up to sixty-four 16-bit registers that are 16-bit addressable, they are accessed via a 32-bit address map and translated to 16-bits for the CODEC.

Programmed I/O and DMA bursts can access the following registers:

- Global registers: The ACUNIT has three global registers: Status, Control, and CODEC access registers that are common to the audio and modem domains.
- Channel-specific audio ACUNIT registers refer to PCM-out, PCM-in, and mic-in channels.
- Channel-specific Modem ACUNIT registers refer to modem-out and modem-in channels.
- Audio CODEC registers
- Modem CODEC registers

Channel specific data registers are for FIFO accesses and the PCM, Modem, and Mic-in FIFOs each have a register. A write access to one of these registers updates the written data in the corresponding Transmit FIFO. A read access to one of these registers flushes out an entry from the corresponding Receive FIFO.

Note: Register tables show organization and individual bit definitions. All reserved bits are read as unknown values and must be written with a 0. A question mark indicates the value is unknown at reset.

Note: Some register bits receive status from CODECs. The CODEC status sets the bit and software clears the bit (write a one to clear). The status can come in at any time, even when the bit is set or during a software clear. If software clears the bit as the CODEC status updates the bit, the CODEC status event takes higher priority. The term “interruptible” denotes bits that can be affected by this condition.

13.8.3.1 Global Control Register (GCR)

This is a read/write register. Ignore reads from reserved bits. Write zeros to reserved bits.

Table 13-7. GCR Bit Definitions (Sheet 1 of 2)

	Physical Address 4050_000C										GCR Register										AC'97 Controller Unit												
Bit	31	30	29	28	27	26	25	24	23	22	21	20	19	18	17	16	15	14	13	12	11	10	9	8	7	6	5	4	3	2	1	0	
	reserved										CDONE_IE	SDONE_IE	reserved										SECRDY_IEN	PRIRDY_IEN	reserved	SECRES_IEN	PRIRES_IEN	ACLINK_OFF	WARM_RST	COLD_RST	GIE		
Reset	0	0	0	0	0	0	0	0	0	0	0	0	0	0	0	0	0	0	0	0	0	0	0	0	0	0	0	0	0	0	0	0	0
Bits	Name		Description																														
31:20	—		reserved																														
19	CDONE_IE	Command Done Interrupt Enable (CDONE_IE): 0 = The ACUNIT does not trigger an interrupt to the CPU after sending the command address and data to the CODEC. 1 = The ACUNIT triggers an interrupt to the CPU after sending the command address and data to the CODEC.																															
18	SDONE_IE	Status Done Interrupt Enable (SDONE_IE): 0 = Interrupt is disabled 1 = Enables an interrupt to occur after receiving the status address and data from the CODEC																															
17:10	—		reserved																														
9	SECRDY_IEN	Secondary Ready Interrupt Enable (SECRDY_IEN): 0 = Interrupt is disabled 1 = Enables an interrupt to occur when the Secondary CODEC sends the CODEC READY bit on the SDATA_IN_1 pin																															
8	PRIRDY_IEN	Primary Ready Interrupt Enable (PRIRDY_IEN): 0 = Interrupt is disabled 1 = Enables an interrupt to occur when the Primary CODEC sends the CODEC READY bit on the SDATA_IN_0 pin.																															
7:6	—		reserved																														

Table 13-7. GCR Bit Definitions (Sheet 2 of 2)

Physical Address 4050_000C		GCR Register																AC'97 Controller Unit																	
Bit	31	30	29	28	27	26	25	24	23	22	21	20	19	18	17	16	15	14	13	12	11	10	9	8	7	6	5	4	3	2	1	0			
	reserved												CDONE_IE	SDONE_IE	reserved												SECRDY_IEN	PRIRDY_IEN	reserved	SECRS_IEN	PRIRES_IEN	ACLINK_OFF	WARM_RST	COLD_RST	GIE
Reset	0	0	0	0	0	0	0	0	0	0	0	0	0	0	0	0	0	0	0	0	0	0	0	0	0	0	0	0	0	0	0	0	0		
Bits	Name	Description																																	
5	SECRS_IEN	Secondary Resume Interrupt Enable: 0 = Interrupt is disabled 1 = Enables an interrupt to occur when the Secondary CODEC causes a resume event on the AC-link																																	
4	PRIRES_IEN	Primary Resume Interrupt Enable: 0 = Interrupt is disabled 1 = Enables an interrupt to occur when the Primary CODEC causes a resume event on the AC-link																																	
3	ACLINK_OFF	AC-link Shut Off: 0 = If the AC-link was off, turns it back on, otherwise this bit has no effect. 1 = Causes the ACUNIT to drive SDATA_OUT and SYNC outputs low and turn off input buffer enables. The reset output is however maintained high. The AC-link will not be allowed to access any of the FIFOs. Setting this bit does not ensure a clean shut down. Software must make sure that all transactions are complete before setting this bit.																																	
2	WARM_RST	AC'97 Warm Reset 0 = A warm reset is not generated. 1 = Causes a warm reset to occur on the AC-link. The warm reset will awaken a suspended CODEC without clearing it's internal registers. If software attempts to perform a warm reset while BITCLK is running, the write will be ignored and the bit will not change. This bit is self clearing i.e., it remains set until the reset completes and BITCLK is seen on the AC-link after which it clears itself.																																	
1	COLD_RST	AC'97 Cold Reset 0 = Causes a cold reset to occur throughout the AC'97 circuitry. All data in the ACUNIT and the CODEC will be lost. 1 = A cold reset is not generated. Defaults to 0. After reset, the driver must to set this bit to a 1. The value of this bit is retained after suspends, hence, if this bit was set to a 1 before a suspend, a cold reset is not generated on a resume.																																	
0	GIE	CODEC GPI Interrupt Enable (GIE) This bit controls whether the change in status of any Modem CODEC GPI causes an interrupt. 0 = If this bit is not set, bit 0 of the Global Status Register is set, but an interrupt is not generated. 1 = If this bit is set, the change in value of a GPI (as indicated by bit 0 of slot 12) causes an interrupt and sets bit 0 of the Global Status Register																																	

13.8.3.2 Global Status Register (GSR)

This is a read/write register. Ignore reads from reserved bits. Write zeros to reserved bits.

Table 13-8. GSR Bit Definitions (Sheet 1 of 2)

		Physical Address 4050_001C										GSR Register										AC'97 Controller Unit															
Bit		31	30	29	28	27	26	25	24	23	22	21	20	19	18	17	16	15	14	13	12	11	10	9	8	7	6	5	4	3	2	1	0				
		reserved													CDONE	SDONE	reserved	RDCS	BIT3SLT12	BIT2SLT12	BIT1SLT12	SECRES	PRIRES	SCR	PCR	MINT	POINT	PIINT	reserved	MOINT	MIINT	GSCI					
Reset		0	0	0	0	0	0	0	0	0	0	0	0	0	0	0	0	0	0	0	0	0	0	0	0	0	0	0	0	0	0	0	0	0			
Bits	Name	Description																																			
31:20	—	reserved																																			
19	CDONE	Command Done (CDONE): 0 = ACUNIT has not sent command address and data to the CODEC. 1 = ACUNIT has sent command address and data to the CODEC. This bit is cleared by software writing a '1' to this location (interruptible)																																			
18	SDONE	Status Done (SDONE): 0 = ACUNIT has not received status address and data from the CODEC. 1 = ACUNIT has received status address and data from the CODEC. This bit is cleared by software writing a '1' to this location (interruptible)																																			
17:16	—	reserved																																			
15	RDCS	Read Completion Status: This bit indicates the status of CODEC read completions. 0 = The CODEC read completed normally 1 = The CODEC read resulted in a timeout. The bit remains set until cleared by software. This bit is cleared by software writing a '1' to this location.																																			
14	BIT3SLT12	Bit 3 of slot 12: Display Bit 3 of the most recent valid slot 12																																			
13	BIT2SLT12	Bit 2 of slot 12: Display Bit 2 of the most recent valid slot 12																																			
12	BIT1SLT12	Bit 1 of slot 12: Display Bit 1 of the most recent valid slot 12																																			
11	SECRES	Secondary Resume Interrupt: 0 = A resume event has not occurred on the SDATA_IN_1. 1 = A resume event occurred on the SDATA_IN_1. This bit is cleared by software writing a '1' to this location (interruptible).																																			
10	PRIRES	Primary Resume Interrupt: 0 = A resume event has not occurred on the SDATA_IN_0. 1 = A resume event occurred on the SDATA_IN_0. This bit is cleared by software writing a '1' to this location (interruptible).																																			
9	SCR	Secondary CODEC Ready (SCR) Reflects the state of the CODEC ready bit in SDATA_IN_1 (interruptible)																																			
8	PCR	Primary CODEC Ready (PCR) Reflects the state of the CODEC ready bit in SDATA_IN_0 (interruptible)																																			
7	MINT	Mic In Interrupt (MINT) 0 = None of the mic-in channel interrupts occurred. 1 = One of the mic-in channel interrupts occurred. When the specific interrupt is cleared, this bit will be cleared (interruptible).																																			

Table 13-8. GSR Bit Definitions (Sheet 2 of 2)

Physical Address 4050_001C		GSR Register												AC'97 Controller Unit																		
Bit	31	30	29	28	27	26	25	24	23	22	21	20	19	18	17	16	15	14	13	12	11	10	9	8	7	6	5	4	3	2	1	0
	reserved												CDONE	SDONE	reserved	RDCS	BIT3SLT12	BIT2SLT12	BIT1SLT12	SECRES	PRPRES	SCR	PCR	MINT	POINT	PIINT	reserved	MOINT	MIINT	GSCI		
Reset	0	0	0	0	0	0	0	0	0	0	0	0	0	0	0	0	0	0	0	0	0	0	0	0	0	0	0	0	0	0	0	0
Bits	Name		Description																													
6	POINT		PCM Out Interrupt (POINT) 0 = None of the PCM out channel interrupts occurred. 1 = One of the PCM out channel interrupts occurred. When the specific interrupt is cleared, this bit will be cleared (interruptible).																													
5	PIINT		PCM In Interrupt (PIINT) 0 = None of the PCM in channel interrupts occurred. 1 = One of the PCM in channel interrupts occurred. When the specific interrupt is cleared, this bit will be cleared (interruptible).																													
4:3	—		reserved																													
2	MOINT		Modem-Out Interrupt (MOINT) 0 = None of the Modem out channel interrupts occurred. 1 = One of the Modem out channel interrupts occurred. When the specific interrupt is cleared, this bit will be cleared (interruptible).																													
1	MIINT		Modem-In Interrupt (MIINT) 0 = None of the modem-in channel interrupts occurred. 1 = One of the modem-in channel interrupts occurred. When the specific interrupt is cleared, this bit will be cleared (interruptible).																													
0	GSCI		CODEC GPI Status Change Interrupt (GSCI) 0 = Bit 0 of slot 12 is clear. 1 = Bit 0 of slot 12 is set. This indicates that one of the GPI's changed state and that the new values are available in slot 12. The bit is cleared by software writing a "1" to this bit location (interruptible).																													

13.8.3.3 PCM-Out Control Register (POCR)

This is a read/write register. Ignore reads from reserved bits. Write zeros to reserved bits.

Table 13-9. POCR Bit Definitions (Sheet 1 of 2)

Physical Address 4050_0000		POCR Register												AC'97 Controller Unit																		
Bit	31	30	29	28	27	26	25	24	23	22	21	20	19	18	17	16	15	14	13	12	11	10	9	8	7	6	5	4	3	2	1	0
	reserved															FEIE	reserved															
Reset	0	0	0	0	0	0	0	0	0	0	0	0	0	0	0	0	0	0	0	0	0	0	0	0	0	0	0	0	0	0	0	
Bits	Name		Description																													
31:4	—		reserved																													

Table 13-9. POCR Bit Definitions (Sheet 2 of 2)

Physical Address 4050_0000		POCR Register																AC'97 Controller Unit														
Bit	31	30	29	28	27	26	25	24	23	22	21	20	19	18	17	16	15	14	13	12	11	10	9	8	7	6	5	4	3	2	1	0
	reserved																												FEIE	reserved		
Reset	0	0	0	0	0	0	0	0	0	0	0	0	0	0	0	0	0	0	0	0	0	0	0	0	0	0	0	0	0	0	0	0
Bits	Name	Description																														
3	FEIE	FIFO Error Interrupt Enable (FEIE) This bit controls whether the occurrence of a transmit FIFO error will cause an interrupt or not. 0 = No interrupt will occur even if bit 4 in the POSR is set 1 = An interrupt will occur if bit 4 in the POSR is set.																														
2:0	—	reserved																														

13.8.3.4 PCM-In Control Register (PICR)

This is a read/write register. Ignore reads from reserved bits. Write zeros to reserved bits.

Table 13-10. PICR Bit Definitions

Physical Address 4050_0004		PICR Register																AC'97 Controller Unit														
Bit	31	30	29	28	27	26	25	24	23	22	21	20	19	18	17	16	15	14	13	12	11	10	9	8	7	6	5	4	3	2	1	0
	reserved																												FEIE	reserved		
Reset	0	0	0	0	0	0	0	0	0	0	0	0	0	0	0	0	0	0	0	0	0	0	0	0	0	0	0	0	0	0	0	0
Bits	Name	Description																														
31:4	—	reserved																														
3	FEIE	FIFO Error Interrupt Enable (FEIE) This bit controls whether the occurrence of a receive FIFO error will cause an interrupt or not. 0 = No interrupt will occur even if bit 4 in the PISR is set 1 = An interrupt will occur if bit 4 in the PISR is set.																														
2:0	—	reserved																														

13.8.3.5 PCM-Out Status Register (POSR)

This is a read/write register. Ignore reads from reserved bits. Write zeros to reserved bits.

Table 13-11. POSR Bit Definitions

	Physical Address 4050_0010				POSR Register																AC'97 Controller Unit											
Bit	31	30	29	28	27	26	25	24	23	22	21	20	19	18	17	16	15	14	13	12	11	10	9	8	7	6	5	4	3	2	1	0
	reserved																												FIFOE	reserved		
Reset	0	0	0	0	0	0	0	0	0	0	0	0	0	0	0	0	0	0	0	0	0	0	0	0	0	0	0	0	0	0	0	0
Bits	Name	Description																														
31:5	—	reserved																														
4	FIFOE	FIFO error (FIFOE) 0 = No transmit FIFO errors have occurred 1 = A transmit FIFO error occurred. This bit is set if a transmit FIFO underrun occurs. In this case, the last valid sample is repetitively sent out and the pointers are not incremented. This could happen due to: a. No more valid buffer data available for transmits. b. Buffer data available but DMA controller has excessive bandwidth requirements. Bit is cleared by writing a 1 to this bit position.																														
3:0	—	reserved																														

13.8.3.6 PCM_In Status Register (PISR)

This is a read/write register. Ignore reads from reserved bits. Write zeros to reserved bits.

Table 13-12. PISR Bit Definitions

	Physical Address 4050_0014				PISR Register																AC'97 Controller Unit											
Bit	31	30	29	28	27	26	25	24	23	22	21	20	19	18	17	16	15	14	13	12	11	10	9	8	7	6	5	4	3	2	1	0
	reserved																												FIFOE	reserved		
Reset	0	0	0	0	0	0	0	0	0	0	0	0	0	0	0	0	0	0	0	0	0	0	0	0	0	0	0	0	0	0	0	0
Bits	Name	Description																														
31:5	—	reserved																														
4	FIFOE	FIFO error (FIFOE) 0 = No Receive FIFO error has occurred. 1 = A receive FIFO error occurred. This bit is set if a receive FIFO overrun occurs. In this case, the FIFO pointers don't increment, the incoming data from the AC-link is not written into the FIFO and will be lost. This could happen due to DMA controller having excessive bandwidth requirements and hence not being able to flush out the receive FIFO in time. Bit is cleared by writing a 1 to this bit position.																														
3:0	—	reserved																														

13.8.3.7 CODEC Access Register (CAR)

This is a read/write register. Ignore reads from reserved bits. Write zeros to reserved bits.

Table 13-13. CAR Bit Definitions

	Physical Address 4050_0020																CAR Register																AC'97 Controller Unit															
Bit	31	30	29	28	27	26	25	24	23	22	21	20	19	18	17	16	15	14	13	12	11	10	9	8	7	6	5	4	3	2	1	0																
	reserved																															CAIP																
Reset	0	0	0	0	0	0	0	0	0	0	0	0	0	0	0	0	0	0	0	0	0	0	0	0	0	0	0	0	0	0	0	0	0															
Bits	Name		Description																																													
31:1	—		reserved																																													
0	CAIP		CODEC Access In Progress (CAIP) This bit is read by software to check whether a CODEC IO cycle is currently in progress. 0 = No cycle is in progress and the act of reading the register sets this bit to '1'. This reserves the right for the software driver to perform the IO cycle. Once the cycle is complete, this bit is automatically cleared. Software can clear this bit by writing a '0' to this bit location if it decides not to perform a CODEC IO cycle after having read this bit. 1 = Indicates that another driver is performing a CODEC IO cycle across the AC-link and the currently accessing driver must try again later. (This bit applies to all CODEC IO cycles - GPIO or otherwise).																																													

13.8.3.8 PCM Data Register (PCDR)

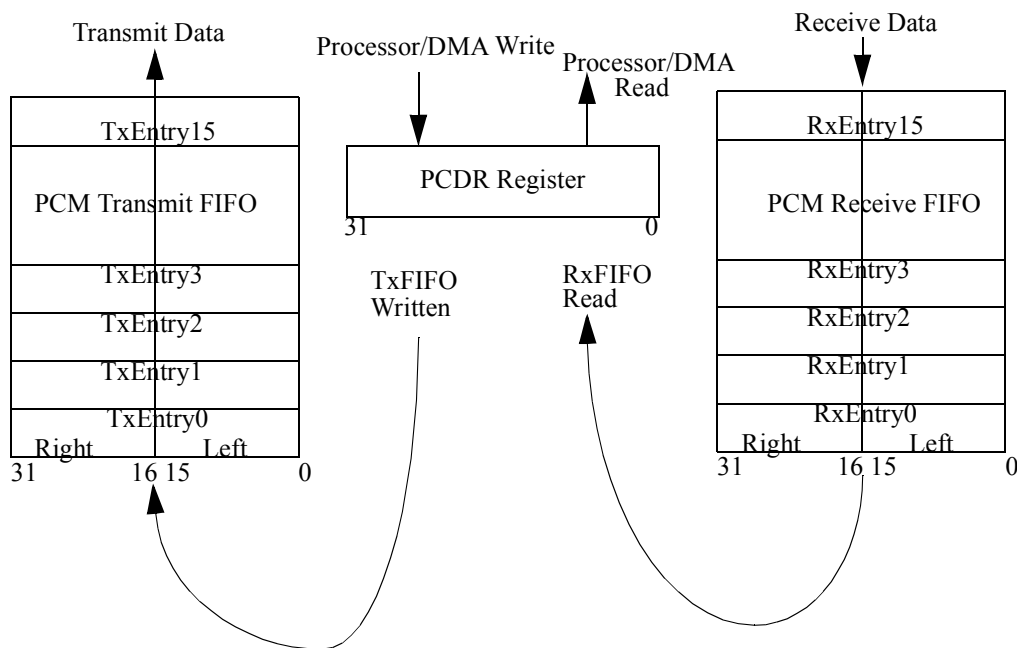
This is a read/write register. Ignore reads from reserved bits. Write zeros to reserved bits.

Table 13-14. PCDR Bit Definitions

	Physical Address 4050_0040																PCDR Register																AC'97 Controller Unit															
Bit	31	30	29	28	27	26	25	24	23	22	21	20	19	18	17	16	15	14	13	12	11	10	9	8	7	6	5	4	3	2	1	0																
	PCM_RDATA																PCM_LDATA																															
Reset	0	0	0	0	0	0	0	0	0	0	0	0	0	0	0	0	0	0	0	0	0	0	0	0	0	0	0	0	0	0	0	0																
Bits	Name		Description																																													
31:16	PCM_RDATA		PCM right-channel data																																													
15:0	PCM_LDATA		PCM left-channel data																																													

Writing a 32-bit sample to this register updates the data into the PCM Transmit FIFO. Reading this register gets a 32-bit sample from the PCM Receive FIFO.

Figure 13-9. PCM Transmit and Receive Operation



13.8.3.9 Mic-In Control Register (MCCR)

This is a read/write register. Ignore reads from reserved bits. Write zeros to reserved bits.

Table 13-15. MCCR Bit Definitions

Physical Address	MCCR Register	AC'97 Controller Unit																										
4050_0008																												
Bit	31 30 29 28 27 26 25 24 23 22 21 20 19 18 17 16 15 14 13 12 11 10 9 8 7 6 5 4 3 2 1 0																											
	reserved																								FEIE	reserved		
Reset	0 0																											
Bits	Name	Description																										
31:4	—	reserved																										
3	FEIE	FIFO Error Interrupt Enable (FEIE) This bit controls whether the occurrence of a receive FIFO error will cause an interrupt or not. 0 = No interrupt will occur even if bit 4 in the MCSR is set 1 = An interrupt will occur if bit 4 in the MCSR is set.																										
2:0	—	reserved																										

13.8.3.10 Mic-In Status Register (MCSR)

This is a read/write register. Ignore reads from reserved bits. Write zeros to reserved bits.

Table 13-16. MCSR Bit Definitions

	Physical Address 4050_0018																MCSR Register																AC'97 Controller Unit							
Bit	31	30	29	28	27	26	25	24	23	22	21	20	19	18	17	16	15	14	13	12	11	10	9	8	7	6	5	4	3	2	1	0								
	reserved																								FIFOE		reserved													
Reset	0	0	0	0	0	0	0	0	0	0	0	0	0	0	0	0	0	0	0	0	0	0	0	0	0	0	0	0	0	0	0	0								
	Bits	Name	Description																																					
	31:5	—	reserved																																					
	4	FIFOE	FIFO error (FIFOE) 0 = No Receive FIFO error has occurred. 1 = A receive FIFO error occurred. This bit is set if a receive FIFO overrun occurs. In this case, the FIFO pointers don't increment, the incoming data from the AC-link is not written into the FIFO and will be lost. This could happen due to DMA controller having excessive bandwidth requirements and hence not being able to flush out the Receive FIFO in time. Bit is cleared by writing a 1 to this bit position.																																					
	3:0	—	reserved																																					

13.8.3.11 Mic-In Data Register (MCDR)

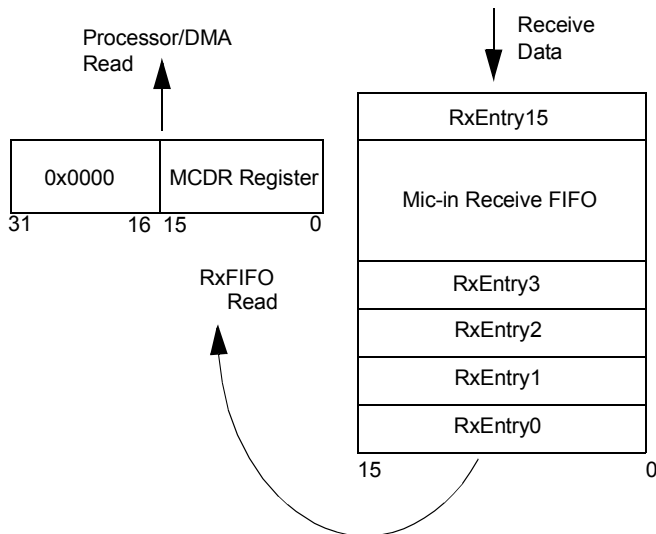
The Mic-In Data Register is a read-only register. A write to this register has no effect. A read to this register gets a 32-bit sample from the Mic-in Receive FIFO.

This is a read-only register. Ignore reads from reserved bits.

Table 13-17. MCDR Bit Definitions

	Physical Address 4050_0060																MCDR Register																AC'97 Controller Unit							
Bit	31	30	29	28	27	26	25	24	23	22	21	20	19	18	17	16	15	14	13	12	11	10	9	8	7	6	5	4	3	2	1	0								
	reserved																MIC_IN_DAT																							
Reset	0	0	0	0	0	0	0	0	0	0	0	0	0	0	0	0	0	0	0	0	0	0	0	0	0	0	0	0	0	0	0	0								
	Bits	Name	Description																																					
	31:16	—	reserved																																					
	15:0	MIC_IN_DAT	mic-in data																																					

Figure 13-10. Mic-in Receive-Only Operation



13.8.3.12 Modem-Out Control Register (MOCR)

This is a read/write register. Ignore reads from reserved bits. Write zeros to reserved bits.

Table 13-18. MOCR Bit Definitions

Physical Address 4050_0100	MOCR Register	AC'97
Bit	31 30 29 28 27 26 25 24 23 22 21 20 19 18 17 16 15 14 13 12 11 10 9 8 7 6 5 4 3 2 1 0	
	reserved	FEIE reserved
Reset	0 0	
Bits	Name	Description
31:4	—	reserved
3	FEIE	FIFO Error Interrupt Enable (FEIE) This bit controls whether the occurrence of a transmit FIFO error will cause an interrupt or not. 0 = No interrupt will occur even if bit 4 in the MOSR is set 1 = An interrupt will occur if bit 4 in the MOSR is set.
2:0	—	reserved

13.8.3.13 Modem-In Control Register (MICR)

This is a read/write register. Ignore reads from reserved bits. Write zeros to reserved bits.

Table 13-19. MICR Bit Definitions

	Physical Address 4050_0108										MICR Register										AC'97 Controller Unit												
Bit	31	30	29	28	27	26	25	24	23	22	21	20	19	18	17	16	15	14	13	12	11	10	9	8	7	6	5	4	3	2	1	0	
	reserved																										FEIE	reserved					
Reset	0	0	0	0	0	0	0	0	0	0	0	0	0	0	0	0	0	0	0	0	0	0	0	0	0	0	0	0	0	0	0	0	0
	Bits	Name	Description																														
	31:4	—	reserved																														
	3	FEIE	FIFO Error Interrupt Enable (FEIE) Controls whether a receive FIFO error causes an interrupt. 0 = No interrupt will occur even if bit 4 in the MISR is set 1 = An interrupt will occur if bit 4 in the MISR is set.																														
	2:0	—	reserved																														

13.8.3.14 Modem-Out Status Register (MOSR)

This is a read/write register. Ignore reads from reserved bits. Write zeros to reserved bits.

Table 13-20. MOSR Bit Definitions

	Physical Address 4050_0110										MOSR Register										AC'97 Controller Unit											
Bit	31	30	29	28	27	26	25	24	23	22	21	20	19	18	17	16	15	14	13	12	11	10	9	8	7	6	5	4	3	2	1	0
	reserved																										FIFOE	reserved				
Reset	0	0	0	0	0	0	0	0	0	0	0	0	0	0	0	0	0	0	0	0	0	0	0	0	0	0	0	0	0	0	0	0
	Bits	Name	Description																													
	31:5	—	reserved																													
	4	FIFOE	FIFO error (FIFOE) 0 = No transmit FIFO errors have occurred 1 = A transmit FIFO error occurred. This bit is set if a transmit FIFO underrun occurs. In this case, the last valid sample is repetitively sent out and the pointers are not incremented. This could happen due to: c. No more valid buffer data available for transmits. d. Buffer data available but DMA controller has excessive bandwidth requirements. Bit is cleared by writing a 1 to this bit position.																													
	3:0	—	reserved																													

13.8.3.15 Modem-In Status Register (MISR)

This is a read/write register. Ignore reads from reserved bits. Write zeros to reserved bits.

Table 13-21. MISR Bit Definitions

	Physical Address 4050_0118																MISR Register																AC'97 Controller Unit			
Bit	31	30	29	28	27	26	25	24	23	22	21	20	19	18	17	16	15	14	13	12	11	10	9	8	7	6	5	4	3	2	1	0				
	reserved																											FIFOE	reserved							
Reset	0	0	0	0	0	0	0	0	0	0	0	0	0	0	0	0	0	0	0	0	0	0	0	0	0	0	0	0	0	0	0	0				
	Bits	Name	Description																																	
	31:5	—	reserved																																	
	4	FIFOE	FIFO error (FIFOE) 0 = No Receive FIFO error has occurred. 1 = A receive FIFO error occurred. This bit is set if a receive FIFO overrun occurs. In this case, the FIFO pointers don't increment, the incoming data from the AC-link is not written into the FIFO and will be lost. This could happen due to DMA controller having excessive bandwidth requirements and hence not being able to flush out the Receive FIFO in time. Bit is cleared by writing a 1 to this bit position.																																	
	3:0	—	reserved																																	

13.8.3.16 Modem Data Register (MODR)

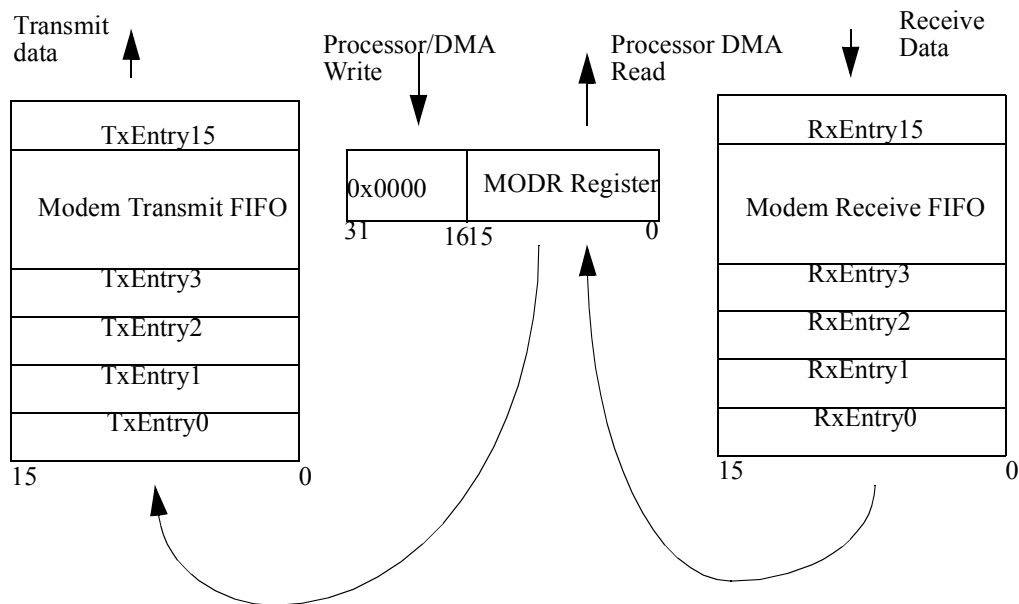
This is a read/write register. Ignore reads from reserved bits. Write zeros to reserved bits.

Table 13-22. MODR Bit Definitions

	Physical Address 4050_0140																MODR Register																AC'97 Controller Unit			
Bit	31	30	29	28	27	26	25	24	23	22	21	20	19	18	17	16	15	14	13	12	11	10	9	8	7	6	5	4	3	2	1	0				
	reserved																MODEM_DAT																			
Reset	0	0	0	0	0	0	0	0	0	0	0	0	0	0	0	0	0	0	0	0	0	0	0	0	0	0	0	0	0	0	0	0				
	Bits	Name	Description																																	
	31:16	—	reserved																																	
	15:0	MODEM_DAT	Modem data																																	

A 32-bit sample write to this register updates the data into the Modem Transmit FIFO. A read to this register gets a 32-bit sample from the Modem Receive FIFO.

Figure 13-11. Modem Transmit and Receive Operation



13.8.3.17 Accessing CODEC Registers

Each CODEC has up to sixty-four 16-bit registers that are addressable internal to the CODEC at half-word boundaries (16-bit boundaries). Because the processor only supports internal register accesses at word boundaries (32-bit boundaries), software must select the one of the following formulas to translate a 7-bit CODEC address into a 32-bit processor address:

- Processor physical address for a Primary Audio CODEC
= $0x4050-0200 + \text{Shift_Left_Once}(\text{Internal 7-bit CODEC Register Address})$
- Processor physical address for a Secondary Audio CODEC
= $0x4050-0300 + \text{Shift_Left_Once}(\text{Internal 7-bit CODEC Register Address})$
- Processor physical address for a Primary Modem CODEC
= $0x4050-0400 + \text{Shift_Left_Once}(\text{Internal 7-bit CODEC Register Address})$
- Processor physical address for a Secondary Modem CODEC
= $0x4050-0500 + \text{Shift_Left_Once}(\text{Internal 7-bit CODEC Register Address})$

In the equations, `Shift_Left_Once()` shifts the 7-bit CODEC address left by one bit and shifts a 0 to the LSB. The address translations are shown in [Table 13-23](#).

Table 13-23. Address Mapping for CODEC Registers (Sheet 1 of 2)

7-bit CODEC Address	Processor Physical Address for a Primary Audio CODEC	Processor Physical Address for a Secondary Audio CODEC	Processor Physical Address for a Primary Modem CODEC	Processor Physical Address for a Secondary Modem CODEC
0x00	0x4050_0200	0x4050_0300	0x4050_0400	0x4050_0500
0x02	0x4050_0204	0x4050_0304	0x4050_0404	0x4050_0504
0x04	0x4050_0208	0x4050_0308	0x4050_0408	0x4050_0508
0x06	0x4050_020C	0x4050_030C	0x4050_040C	0x4050_050C
0x08	0x4050_0210	0x4050_0310	0x4050_0410	0x4050_0510
0x0A	0x4050_0214	0x4050_0314	0x4050_0414	0x4050_0514
0x0C	0x4050_0218	0x4050_0318	0x4050_0418	0x4050_0518
0x0E	0x4050_021C	0x4050_031C	0x4050_041C	0x4050_051C
0x10	0x4050_0220	0x4050_0320	0x4050_0420	0x4050_0520
0x12	0x4050_0224	0x4050_0324	0x4050_0424	0x4050_0524
0x14	0x4050_0228	0x4050_0328	0x4050_0428	0x4050_0528
0x16	0x4050_022C	0x4050_032C	0x4050_042C	0x4050_052C
0x18	0x4050_0230	0x4050_0330	0x4050_0430	0x4050_0530
0x1A	0x4050_0234	0x4050_0334	0x4050_0434	0x4050_0534
0x1C	0x4050_0238	0x4050_0338	0x4050_0438	0x4050_0538
0x1E	0x4050_023C	0x4050_033C	0x4050_043C	0x4050_053C
0x20	0x4050_0240	0x4050_0340	0x4050_0440	0x4050_0540
0x22	0x4050_0244	0x4050_0344	0x4050_0444	0x4050_0544
0x24	0x4050_0248	0x4050_0348	0x4050_0448	0x4050_0548
0x26	0x4050_024C	0x4050_034C	0x4050_044C	0x4050_054C
0x28	0x4050_0250	0x4050_0350	0x4050_0450	0x4050_0550
0x2A	0x4050_0254	0x4050_0354	0x4050_0454	0x4050_0554
0x2C	0x4050_0258	0x4050_0358	0x4050_0458	0x4050_0558
0x2E	0x4050_025C	0x4050_035C	0x4050_045C	0x4050_055C
0x30	0x4050_0260	0x4050_0360	0x4050_0460	0x4050_0560
0x32	0x4050_0264	0x4050_0364	0x4050_0464	0x4050_0564
0x34	0x4050_0268	0x4050_0368	0x4050_0468	0x4050_0568
0x36	0x4050_026C	0x4050_036C	0x4050_046C	0x4050_056C
0x38	0x4050_0270	0x4050_0370	0x4050_0470	0x4050_0570
0x3A	0x4050_0274	0x4050_0374	0x4050_0474	0x4050_0574
0x3C	0x4050_0278	0x4050_0378	0x4050_0478	0x4050_0578
0x3E	0x4050_027C	0x4050_037C	0x4050_047C	0x4050_057C
0x40	0x4050_0280	0x4050_0380	0x4050_0480	0x4050_0580
0x42	0x4050_0284	0x4050_0384	0x4050_0484	0x4050_0584

Table 13-23. Address Mapping for CODEC Registers (Sheet 2 of 2)

7-bit CODEC Address	Processor Physical Address for a Primary Audio CODEC	Processor Physical Address for a Secondary Audio CODEC	Processor Physical Address for a Primary Modem CODEC	Processor Physical Address for a Secondary Modem CODEC
0x44	0x4050_0288	0x4050_0388	0x4050_0488	0x4050_0588
0x46	0x4050_028C	0x4050_038C	0x4050_048C	0x4050_058C
0x48	0x4050_0290	0x4050_0390	0x4050_0490	0x4050_0590
0x4A	0x4050_0294	0x4050_0394	0x4050_0494	0x4050_0594
0x4C	0x4050_0298	0x4050_0398	0x4050_0498	0x4050_0598
0x4E	0x4050_029C	0x4050_039C	0x4050_049C	0x4050_059C
0x50	0x4050_02A0	0x4050_03A0	0x4050_04A0	0x4050_05A0
0x52	0x4050_02A4	0x4050_03A4	0x4050_04A4	0x4050_05A4
0x54	0x4050_02A8	0x4050_03A8	0x4050_04A8	0x4050_05A8
0x56	0x4050_02AC	0x4050_03AC	0x4050_04AC	0x4050_05AC
0x58	0x4050_02B0	0x4050_03B0	0x4050_04B0	0x4050_05B0
0x5A	0x4050_02B4	0x4050_03B4	0x4050_04B4	0x4050_05B4
0x5C	0x4050_02B8	0x4050_03B8	0x4050_04B8	0x4050_05B8
0x5E	0x4050_02BC	0x4050_03BC	0x4050_04BC	0x4050_05BC
0x60	0x4050_02C0	0x4050_03C0	0x4050_04C0	0x4050_05C0
0x62	0x4050_02C4	0x4050_03C4	0x4050_04C4	0x4050_05C4
0x64	0x4050_02C8	0x4050_03C8	0x4050_04C8	0x4050_05C8
0x66	0x4050_02CC	0x4050_03CC	0x4050_04CC	0x4050_05CC
0x68	0x4050_02D0	0x4050_03D0	0x4050_04D0	0x4050_05D0
0x6A	0x4050_02D4	0x4050_03D4	0x4050_04D4	0x4050_05D4
0x6C	0x4050_02D8	0x4050_03D8	0x4050_04D8	0x4050_05D8
0x6E	0x4050_02DC	0x4050_03DC	0x4050_04DC	0x4050_05DC
0x70	0x4050_02E0	0x4050_03E0	0x4050_04E0	0x4050_05E0
0x72	0x4050_02E4	0x4050_03E4	0x4050_04E4	0x4050_05E4
0x74	0x4050_02E8	0x4050_03E8	0x4050_04E8	0x4050_05E8
0x76	0x4050_02EC	0x4050_03EC	0x4050_04EC	0x4050_05EC
0x78	0x4050_02F0	0x4050_03F0	0x4050_04F0	0x4050_05F0
0x7A	0x4050_02F4	0x4050_03F4	0x4050_04F4	0x4050_05F4
0x7C	0x4050_02F8	0x4050_03F8	0x4050_04F8	0x4050_05F8
0x7E	0x4050_02FC	0x4050_03FC	0x4050_04FC	0x4050_05FC

13.9 AC'97 Register Summary

All AC'97 registers are word-addressable (32 bits wide) and increment in units of 0x00004. The registers in the CODEC are half-word addressable (16 bits wide), and increment in units of 0x00002. These register sets are mapped in the address range of 0x4050_000 through 0x405F_FFFF.

Table 13-24. Register Mapping Summary

Address	Name	Description
0x4050_0000	POCR	PCM Out Control Register
0x4050_0004	PICR	PCM In Control Register
0x4050_0008	MCCR	Mic In Control Register
0x4050_000C	GCR	Global Control Register
0x4050_0010	POSR	PCM Out Status Register
0x4050_0014	PISR	PCM In Status Register
0x4050_0018	MCSR	Mic-In Status Register
0x4050_001C	GSR	Global Status Register
0x4050_0020	CAR	CODEC Access Register
0x4050_0024 - 0x4050_003C	—	reserved
0x4050_0040	PCDR	PCM FIFO Data Register
0x4050_0044 - 0x4050_005C	—	reserved
0x4050_0060	MCDR	Mic-in FIFO Data Register
0x4050_0064 - 0x4050_00FC	—	reserved
0x4050_0100	MOCR	Modem-Out Control Register
0x4050_0104	—	reserved
0x4050_0108	MICR	Modem-In Control Register
0x4050_010C	—	reserved
0x4050_0110	MOSR	Modem-Out Status Register
0x4050_0114	—	reserved
0x4050_0118	MISR	Modem-In Status Register
0x4050_011C - 0x4050_013C	—	reserved
0x4050_0140	MODR	Modem FIFO Data Register
0x4050_0144 - 0x4050_01FC	—	reserved
(0x4050_0200 - 0x4050_02FC) with all in increments of 0x00004	—	Primary Audio CODEC registers
(0x4050_0300 - 0x4050_03FC) with all in increments of 0x00004	—	Secondary Audio CODEC registers
(0x4050_0400 - 0x4050_04FC) with all in increments of 0x0000_0004	—	Primary Modem CODEC registers
(0x4050_0500 - 0x4050_05FC) with all in increments of 0x00004	—	Secondary Modem CODEC registers



Inter-Integrated-Circuit Sound (I²S) Controller

I²S is a protocol for digital stereo audio. The I²S Controller (I2SC) functional block for the PXA255 processor controls the I²S link (I2SLINK), which is a low-power four-pin serial interface for stereo audio. The I²S interface and the Audio CODEC '97 (AC'97) interface may not be used at the same time.

14.1 Overview

The I2SC consists of buffers, status and control registers, serializers, and counters for transferring digitized audio between the processor system memory and an external I²S CODEC.

For playback of digitized audio or production of synthesized audio, the I2SC retrieves digitized audio samples from processor system memory and sends them to a CODEC through the I2SLINK. The external digital-to-analog converter in the CODEC then converts the audio samples into an analog audio waveform.

For recording of digitized audio, the I2SC receives digitized audio samples from a CODEC (through the I2SLINK) and stores them in processor system memory.

The I²S controller supports the normal-I²S and the MSB-Justified-I²S formats. Four, or optionally five, pins connect the controller to an external CODEC:

- A bit-rate clock, which can use either an internal or an external source.
- A formatting or “Left/Right” control signal.
- Two serial audio pins, one input and one output.
- The bit-rate clock, an optional system clock also sent to the CODEC by the I2SC.

The I²S data can be stored to and retrieved from system memory either by the DMA controller or by programmed I/O.

For I²S systems, additional pins are required to control the external CODEC. Some CODECs use an L3 control bus, which requires 3 signals — L3_CLK, L3_DATA, and L3_MODE — for writing bytes into the L3-bus register. The I2SC supports the L3 bus protocol via software control of the general-purpose I/O (GPIO) pins. The I2SC does not provide hardware control for the L3 bus protocol.

Two similar protocols exist for transmitting digitized stereo audio over a serial path: Normal-I²S and MSB-Justified-I²S. Both work with a variety of clock rates, which can be obtained by dividing the PLL clock by a programmable divider, or from an external clock source. For further details regarding clock rates, see [Table 14-2](#).

14.2 Signal Descriptions

SYSCLK is the clock on which all other clocks in the I²S unit are based. SYSCLK generates a frequency between approximately 2 MHz and 12.2 MHz by dividing down the PLL clock with a programmable divisor. This frequency is always 256 times the audio sampling frequency. SYSCLK is driven out of the processor system only if BITCLK is configured as an output.

BITCLK supplies the serial audio bit rate, which is the basis for the external CODEC bit-sampling logic. BITCLK is one-quarter the frequency of SYSCLK and is 64 times the audio sampling frequency. One bit of the serial audio data sample is transmitted or received each BITCLK period. A single serial audio sample comprises a “left” and “right” signal, each containing either 8, 16 or 32 bits.

SYNC is BITCLK divided by 64, resulting in an 8 kHz to 48 kHz signal. The state of SYNC is used to denote whether the current serial data samples are “Left” or “Right” channel data.

The SDATA_IN and SDATA_OUT data pins are used to send/receive the serial audio data to/from the CODEC.

Table 14-1 lists the signals between the I²S and an external CODEC device.

Table 14-1. External Interface to CODEC

Name	Direction	Description
GP32/SYSCLK	O	System Clock = BITCLK * 4 used by the CODEC only.
GP28/BITCLK	I or O	bit-rate clock = SYNC * 64
GP31/SYNC	O	Left/Right identifier
GP30/SDATA_OUT	O	Serial audio output data to CODEC
GP29/SDATA_IN	I	Serial audio input data from CODEC

BITCLK can be configured either as an input or as an output. To program the direction, follow these steps:

1. Program SYSUNIT’s GPIO Direction Register (GPDR). See [Section 4.1.3.2, “GPIO Pin Direction Registers \(GPDR0, GPDR1, GPDR2\)”](#) on page 4-8 for details regarding the GPDR.
2. Program SYSUNIT’s GPIO Alternate Function Select Register (GAFR). See [Section 4.1.3.6, “GPIO Alternate Function Register \(GAFR0_L, GAFR0_U, GAFR1_L, GAFR1_U, GAFR2_L, GAFR2_U\)”](#) on page 4-16 for details regarding the GAFR.
3. Program the BCKD bit in the I2SC’s Serial Audio Control Register. See [Section 14.6.1, “Serial Audio Controller Global Control Register \(SACR0\)”](#) for more details.

Note: Modifying the status of the SACR0[BCKD] bit during normal operation can cause jitter on the BITCLK and can affect serial activity.

If BITCLK is an output, SYSCLK must be configured as an output. If BITCLK is supplied by the CODEC, the GPIO pin GP32 can be used for an alternate function. To configure the pin as an output, follow these steps:

1. Program SYSUNIT’s GPIO Direction Register (GPDR). See [Section 4.1.3.2, “GPIO Pin Direction Registers \(GPDR0, GPDR1, GPDR2\)”](#) on page 4-8 for details regarding the GPDR.

2. Program SYSUNIT's GPIO Alternate Function Select Register (GAFR). See [Section 4.1.3.6, "GPIO Alternate Function Register \(GAFR0_L, GAFR0_U, GAFR1_L, GAFR1_U, GAFR2_L, GAFR2_U\)"](#) on page 4-16 for details regarding the GAFR.

To configure SYNC and SDATA_OUT as outputs, follow these steps:

1. Program SYSUNIT's GPIO Direction Register (GPDR). See [Section 4.1.3.2, "GPIO Pin Direction Registers \(GPDR0, GPDR1, GPDR2\)"](#) on page 4-8 for details regarding the GPDR.
2. Program SYSUNIT's GPIO Alternate Function Select Register (GAFR). See [Section 4.1.3.6, "GPIO Alternate Function Register \(GAFR0_L, GAFR0_U, GAFR1_L, GAFR1_U, GAFR2_L, GAFR2_U\)"](#) on page 4-16 for details regarding the GAFR.

To configure SDATA_IN as an input, follow these steps:

1. Program SYSUNIT's GPIO Direction Register (GPDR). See [Section 4.1.3.2, "GPIO Pin Direction Registers \(GPDR0, GPDR1, GPDR2\)"](#) on page 4-8 for details regarding the GPDR.
2. Program SYSUNIT's GPIO Alternate Function Select Register (GAFR). See [Section 4.1.3.6, "GPIO Alternate Function Register \(GAFR0_L, GAFR0_U, GAFR1_L, GAFR1_U, GAFR2_L, GAFR2_U\)"](#) on page 4-16 for details regarding the GAFR.

14.3 Controller Operation

The I²S Controller (I2SC) can be accessed either by the processor or by the DMA controller.

The processor uses programmed I/O instructions to access the I2SC and can access the following types of data:

- I2SC registers data — All registers are 32 bits wide and are aligned to word boundaries. See [Section 14.6](#) for further details.
- I2SC FIFO data — An entry is placed into the Transmit FIFO by writing to the I2SC's Serial Audio Data register (SADR). Writing to SADR updates a Transmit FIFO entry. Reading SADR flushes out a Receive FIFO entry.
- I²S CODEC data — The CODEC registers can be accessed through the L3 bus. The L3 bus operation is emulated by software controlling 3 GPIO pins.

The DMA controller can only access the FIFOs. Accesses are made through the SADR, as explained in the previous paragraph. The DMA controller accesses FIFO data in blocks of 8, 16, or 32 bytes. The DMA controller responds to the following DMA requests made by the I2SC:

- The Transmit FIFO request is based on the transmit threshold (TFTH) setting and is asserted if the Transmit FIFO has less than TFTH+1 entries. See [Table 14-3](#) for further details regarding TFTH.
- The Receive FIFO request is based on the receive threshold (RFTH) setting and is asserted if the Receive FIFO has RFTH+1 or more entries. See [Table 14-3](#) for further details regarding RFTH.

14.3.1 Initialization

1. Set the BITCLK direction by programming the SYSUNIT's GPIO Direction register, the SYSUNIT's GPIO Alternate Function Select register, and bit 2 of the I2SC's Serial Audio Controller Global Control Register (SACR0).

2. Choose between Normal I²S or MSB-Justified modes of operation. This can be done by programming bit 0 of Serial Audio Controller I²S/MSB-Justified Control Register (SACR1). For further details, see [Section 14.6.2](#).
3. Optional: Programmed I/O may be used for priming the Transmit FIFO with a few samples (ranging from 1 to 16). If the I2SLINK is enabled with an empty Transmit FIFO, a Transmit Under-run error bit will be set in the Status register. For further details, see [Section 14.6.3](#). This is hence an optional step, which prevents such an error. If Step 3 is not executed, then Programmed I/O must clear the Transmit Under-run status bit by setting bit 5 of the Interrupt Clear Register. For further details, see [Section 14.6.5](#).
4. The following control bits can be simultaneously programmed in the I2SC's Serial Audio Controller Global Control register (SACR0):
 - a. Enable I2SLINK by setting the ENB bit (bit-0) of SACR0.
 - b. Maintain BITCLK direction as programmed in Step1. Modifying BITCLK direction will glitch the clock and affect I2SLINK activity.
 - c. Program transmit and receive threshold levels by programming the TFTH and RFTH bits of SACR0[11:8] and SACR0(15:12), respectively. See [Section 14.6.1.2](#), regarding permitted threshold levels.

Once the I2SLINK is enabled, frames filled with 0s will be transmitted if the Transmit FIFO is still empty. This will set a Transmit Under-run status bit in SASR0. Step 3 can be executed to avoid this error condition. Valid data is sent across the I2SLINK after filling the Transmit FIFO with at least one sample. One sample consists of a 32-bit value with 16 bits each dedicated to a left and a right value.

Enabling the I2SLINK will also cause zeros to be recorded by the I2SC until the CODEC sends in valid data.

Enabling the I2SLINK also enables transmit and receive DMA Requests.

14.3.2 Disabling and Enabling Audio Replay

Audio transmission is enabled automatically when the I2SC is enabled. Transmission, or replay, can be stopped by asserting the DRPL bit of the SACR1 Register. For more details, see [Section 14.6.2](#).

Asserting the DRPL bit in SACR1 has the following effects:

1. All I2SLINK replay activity is disabled. The frame or data sample, in the midst of which the replay is disabled, will have invalid data (some data bits will be over-written with zeros). To avoid this, disable replay only after the transfer of valid data. In this case, frames with zeros are transmitted.
2. Transmit FIFO pointers are reset to zero.
3. Transmit FIFO fill-level is reset to zero.
4. Zeros are transmitted across the I2SLINK.
5. Transmit DMA requests are disabled.

14.3.3 Disabling and Enabling Audio Record

Audio recording is enabled automatically when the I2SC is enabled. Recording can also be stopped by asserting the DREC bit of the SACR1 Register. For more details, see [Section 14.6.2](#).

Asserting the DREC bit in SACR1 has the following effects:

1. I2SLINK recording activity is disabled. The frame or data sample, in the midst of which the recording is disabled, could have invalid data (some data bits will be over-written with zeros). To avoid this, disable record only after the transfer of valid data.
2. Receive FIFO pointers are reset to zero.
3. Receive FIFO fill-level is reset to zero.
4. Any read operations by the DMA/CPU are returned with zeros.
5. Receive DMA requests are disabled.

14.3.4 Transmit FIFO Errors

A status bit is set during Transmit Under-run conditions. If enabled, this can trigger an interrupt. For further details, see [Section 14.6.3](#), [Section 14.6.6](#) and [Section 14.6.5](#). During Transmit Under-run conditions, the last valid sample is continuously sent out across the I2SLINK. Transmit Under-run can occur under the following conditions:

1. Valid transmit data is still available in memory, but the DMA controller starves the Transmit FIFO, as it is busy servicing other higher-priority peripherals.
2. The DMA controller has transferred all valid data from memory to the Transmit FIFO.

During the second condition, the last valid sample is continuously sent across the I2SLINK until the I2SC is turned off by disabling the SACR0[ENB] bit.

14.3.5 Receive FIFO Errors

A status bit is set during Receive Over-run conditions. If enabled, this can trigger an interrupt. For further details, see [Section 14.6.3](#), [Section 14.6.6](#) and [Section 14.6.5](#). During Receive Over-run conditions, data sent by the CODEC is lost (will not be recorded).

14.3.6 Trailing Bytes

When the CODEC has completed transmitting valid data, zeros will be recorded by the I2SC, and this will continue until the unit is turned off by disabling the SACR0[ENB] bit.

If the total buffer size of the received data is less than a factor of the receive threshold, zeros will be recorded. A receive DMA request is made when the programmed threshold is reached.

14.4 Serial Audio Clocks and Sampling Frequencies

The BITCLK is the rate at which audio data bits enter or leave the I2SLINK. If BITCLK is an output, SYSCLK is used by the CODEC to run delta sigma ADC operations.

BITCLK can be supplied either by the CODEC or by an internal PLL. If supplied internally, BITCLK and SYSCLK are configured as output pins, and both are supplied to the CODEC. If BITCLK is supplied by the CODEC, then it is configured as an input pin. In this case, the SYSCLK's GPIO pin can be used for an alternate function.

The BITCLK, as shown in Table 14-2, is different for different sampling frequencies. If the BITCLK is chosen as an output, the Audio Clock Divider Register divides the 147.46MHz PLL clock to generate the SYSCLK. The SYSCLK is further divided by four to generate the BITCLK. The sampling frequency is the frequency of the SYNC signal, which is generated by dividing the BITCLK by 64. See Section 14.6.4, for further details about the register.

A sampling rate of 48kHz supports MPEG2 and MPEG4. A rate of 44.1kHz supports MP3.

Table 14-2. Supported Sampling Frequencies

Audio Clock Divider Register (31:0)	SYSCLK = 147.6 MHz / (SADIV)	BITCLK = SYSCLK / 4	SYNC or Sampling frequency = BITCLK / 64
0x0000_000C	12.288 MHz	3.072 MHz	48.000 kHz (closest std = 48 kHz)
0x0000_000D	11.343 MHz	2.836 MHz	44.308 kHz (closest std = 44.1 kHz)
0x0000_001A	5.671 MHz	1.418 MHz	22.154 kHz (closest std = 22.05 kHz)
0x0000_0024	4.096 MHz	1.024 MHz	16.000 kHz (closest std = 16.00 kHz)
0x0000_0034	2.836 MHz	708.92 kHz	11.077 kHz (closest std = 11.025 kHz)
0x0000_0048	2.048 MHz	512.00 kHz	8.000 kHz (closest std = 8.00 kHz)

14.5 Data Formats

14.5.1 FIFO and Memory Format

FIFO buffers are 16 levels deep and 32 bits wide. This stores 32 samples per channel in each direction.

Audio data is stored with two samples (Left + Right) per 32-bit word, even if samples are smaller than 16 bits. The Left channel data occupies bits [15:0], while the Right channel data uses bits [31:16] of the 32-bit word. Within each 16-bit field, the audio sample is left-justified, with unused bits packed as zeroes on the right-hand (LSB) side.

In memory, the mapping of stereo samples is the same as in the FIFO buffers. However, single-channel audio occupies a full 32-bit word per sample, using either the upper or lower half of the word, depending on whether it's considered a Left or Right sample.

14.5.2 I²S and MSB-Justified Serial Audio Formats

I²S and MSB-Justified are similar protocols for digitized stereo audio transmitted over a serial path.

The BITCLK supplies the serial audio bit rate, the basis for the external CODEC bit-sampling logic. Its frequency is 64 times the audio sampling frequency. Divided by 64, the resulting 8 kHz to 48 kHz signal signifies timing for Left and Right serial data samples passing on the serial data paths. This Left/Right signal is sent to the CODEC on the SYNC pin. Each phase of the Left/Right signal is accompanied by one serial audio data sample on the data pins SDATA_IN and SDATA_OUT.

Figure 14-1 and Figure 14-2 provide timing diagrams that show formats for I²S and MSB-justified modes of operations.

Data is transmitted and received in frames of 64 BITCLK cycles. Each frame consists of a Left sample and a Right sample. Each frame holds 16-bits of valid sample data (shown in the figures) and 16-bits of padded zeros (not shown in the figures). The transmit and receive FIFOs only hold valid sample data (not padded zero data).

In the Normal I²S mode, the SYNC is low for the Left sample and high for the Right sample. Also, the MSB of each data sample lags behind the SYNC edges by one BITCLK cycle.

In the MSB-Justified mode, the SYNC is high for the Left sample and low for the Right sample. Also, the MSB of each data sample is aligned with the SYNC edges.

Figure 14-1. I²S Data Formats (16 bits)

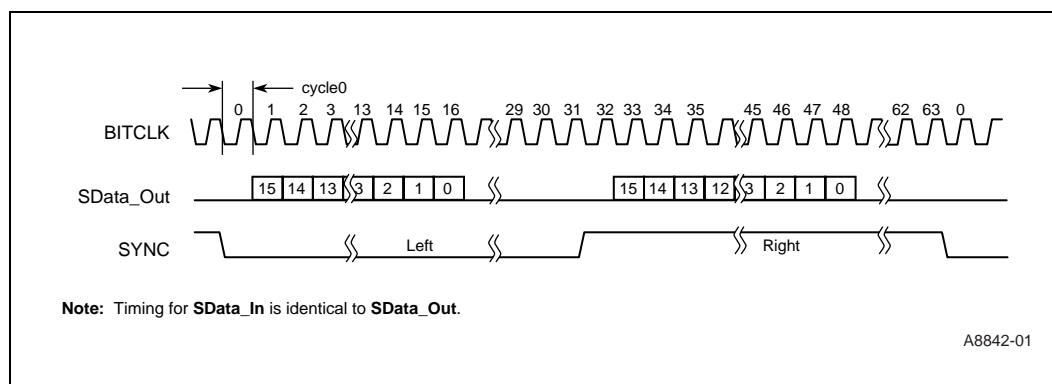
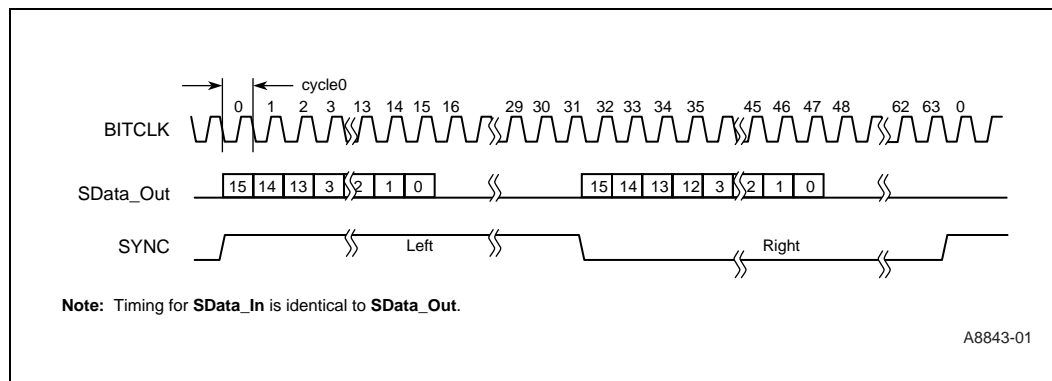


Figure 14-2. MSB-Justified Data Formats (16 bits)



14.6 Registers

The I²S Controller registers are all 32-bit addressable, ranging from 0x4040_0000 through 0x404F_FFFF.

The I²S Controller has the following types of registers:

- Control registers are used to program common control, alternate mode specific control.
- The Data Register is used for Transmit and Receive FIFO accesses.
- The Status Register signals the state of the FIFO buffers and the status of the interface that is selected by the common control register.
- The Interrupt Registers include the Interrupt Mask Register, the Interrupt Clear Register, and the Interrupt Test Register.

14.6.1 Serial Audio Controller Global Control Register (SACR0)

SACR0, shown in [Table 14-3](#), controls common I²S functions.

The ENB bit controls the I2SLINK, as follows:

- Clearing ENB to zero does the following:
 - disables any I2SLINK activity
 - resets all Receive FIFO pointers and also the counter that controls the I2SLINK
 - resets the Receive FIFO
 - does not affect the Transmit FIFO
 - the output pin SYNC will not toggle
 - de-asserts all DMA requests
 - any read accesses to the Data Register (SADR), by the processor, or by the DMA controller is returned with zeros
 - disables all interrupts.
- Setting ENB to one does the following:
 - enables I2SLINK activity
 - enables DMA requests.

Note: If ENB is toggled in the middle of a normal operation, the RST bit must also be set and cleared to reset all I2SC registers.

Note: The SACR0[ENB] control signal crosses clock domains. It is registered in an internal clock domain that is much faster than the BITCLK domain. It takes four BITCLK cycles and four internal clock cycles before SACR0[ENB] is conveyed to the slower BITCLK domain. If the control setting is modified at a rate faster than (4 BITCLK + 4 internal clock) cycles, the last updated value in this time frame is stored in a temporary register and is transferred to the BITCLK domain.

This is a read/write register. Ignore reads from reserved bits. Write zeros to reserved bits.

Table 14-3. SACR0 Bit Definitions

		Physical Address 0x4040_0000	Serial Audio Controller Global Control Register																I ² S Controller																	
Bit		31	30	29	28	27	26	25	24	23	22	21	20	19	18	17	16	15	14	13	12	11	10	9	8	7	6	5	4	3	2	1	0			
		reserved																RFTH	TFTH		reserved	STRF	EFWR	RST	BCKD	reserved	ENB									
Reset		0	0	0	0	0	0	0	0	0	0	0	0	0	0	0	0	0	1	1	1	0	1	1	1	0	0	0	0	0	0	0	0	0		
Bits	Name	Description																																		
31:16	—	reserved																																		
15:12	RFTH	Receive FIFO interrupt or DMA threshold. Set to value 0 – 15. This value must be set to the threshold value minus 1. Receive DMA Request asserted whenever the Receive FIFO has >= (RFTH+1) entries.																																		
11:8	TFTH	Transmit FIFO interrupt or DMA threshold. Set to value 0 – 15. This value must be set to the threshold value minus 1. Transmit DMA Request asserted whenever the Transmit FIFO has < (TFTH+1) entries.																																		
7:6	—	reserved																																		
5	STRF	Select Transmit or Receive FIFO for EFWR based special purpose function: 0 = Transmit FIFO is selected 1 = Receive FIFO is selected See Table 14-4 for details.																																		
4	EFWR	This bit enables a special purpose FIFO Write/Read function: 0 = Special purpose FIFO Write/Read Function is disabled 1 = Special purpose FIFO Write/Read Function is enabled See Table 14-4 for details.																																		
3	RST	Resets FIFOs logic and all registers, except this register (SACR0): 0 = Not reset 1 = Reset is active to other registers																																		
2	BCKD	This bit specifies input/output direction of BITCLK: 0 = Input. BITCLK driven by an external source. 1 = Output. BITCLK generated internally and driven out to the CODEC.																																		
1	—	reserved																																		
0	ENB	Enable I ² S function: 0 = I2SLINK is disabled 1 = I2SLINK is enabled																																		

14.6.1.1 Special purpose FIFO Read/Write function

As shown in Table 14-4, EFWR and STRF can be programmed for special purpose FIFO accesses. Under normal operating conditions, the processor or the DMA controller can only write to the Transmit FIFO and only read the Receive FIFO. Programming these bits allows the processor or the DMA controller to read and write both FIFOs.

Table 14-4. FIFO Write/Read table

EFWR	STRF	Description
0	x	Normal CPU/DMA Write/Read condition: <ul style="list-style-type: none"> • A write access to the Data Register writes a Transmit FIFO entry. • A read access to the Data Register reads out a Receive FIFO entry. • I2SLINK reads from the Transmit FIFO and writes to the Receive FIFO.
1	0	CPU or DMA only writes and reads Transmit FIFO: <ul style="list-style-type: none"> • A write access to the Data Register writes a Transmit FIFO entry. • A read access to the Data Register reads out a Transmit FIFO entry. • I2SLINK cannot read the Transmit FIFO but can write to the Receive FIFO.
1	1	CPU or DMA only writes and reads Receive FIFO: <ul style="list-style-type: none"> • A write access to the Data Register writes a Receive FIFO entry. • A read access to the Data Register reads out a Receive FIFO entry. • I2SLINK can read the Transmit FIFO but cannot write to the Receive FIFO.

14.6.1.2 Suggested TFTH and RFTH for DMA servicing

The DMA controller can only be programmed to transfer 8, 16, or 32 bytes of data. This corresponds to 2, 4, or 8 FIFO samples. Table 14-5 shows the recommended TFTH and RFTH values to prevent Transmit FIFO over-run errors and Receive FIFO under-run errors.

Table 14-5. TFTH and RFTH Values for DMA Servicing

DMA Transfer Size	# of FIFO entries	TFTH Value		RFTH Value	
		Min	Max	Min	Max
8 Bytes	2	0	14	1	15
16 Bytes	4	0	12	3	15
32 Bytes	8	0	8	7	15

14.6.2 Serial Audio Controller I²S/MSB-Justified Control Register (SACR1)

SACR1, shown in Table 14-6, specifically controls the I2S and MSB-Justified modes.

SACR1 bits DRPL, DREC, and AMSL cross clock domains. They are registered in an internal clock domain that is much faster than the BITCLK domain. It takes 4 BITCLK cycles and 4 internal clock cycles before these controls are conveyed to the slower BITCLK domain. If the above control settings are modified at a rate faster than (4 BITCLK + 4 internal clock) cycles, the last updated value in this time frame is stored in a temporary register and is transferred to the BITCLK domain.

This is a read/write register. Ignore reads from reserved bits. Write zeros to reserved bits.

Table 14-6. SACR1 Bit Definitions

	Physical Address 0x4040_0004																Serial Audio Controller I ² S/MSB- Justified Control Register																I ² S Controller				
Bit	31	30	29	28	27	26	25	24	23	22	21	20	19	18	17	16	15	14	13	12	11	10	9	8	7	6	5	4	3	2	1	0					
	reserved																								ENLBF	DRPL	DREC	reserved	AMSL								
Reset	0	0	0	0	0	0	0	0	0	0	0	0	0	0	0	0	0	0	0	0	0	0	0	0	0	0	0	0	0	0	0	0					
Bits	Name		Description																																		
31:6	—		reserved																																		
5	ENLBF	Enable I ² S/MSB Interface Loop Back Function: 0 = I ² S/MSB Interface Loop Back Function is disabled 1 = I ² S/MSB Interface Loop Back Function is enabled																																			
4	DRPL	Disable Replaying Function of I ² S or MSB-Justified Interface: 0 = Replaying Function is enabled 1 = Replaying Function is disabled																																			
3	DREC	Disable Recording Function of I ² S or MSB-Justified Interface: 0 = Recording Function is enabled 1 = Recording Function is disabled																																			
2:1	—		reserved																																		
0	AMSL	Specify Alternate Mode (I ² S or MSB-Justified) Operation: 0 = Select I ² S Operation Mode 1 = Select MSB-Justified Operation Mode																																			

14.6.3 Serial Audio Controller I²S/MSB-Justified Status Register (SASR0)

SASR0, shown in Table 14-7, is used for recording the status of the FIFOs and I2SLINK.

Only 4 bits are assigned for TFL and RFL. Actual fill levels are interpreted as follows:

$$\text{Actual_TFL}(4:0) = \{ \sim\text{TNF}, \text{TFL}(3:0) \}$$

Actual_RFL(4:0) calculation:

```

if (RFL(3:0) == 4'b0)
    Actual_RFL(4:0) = {RNE, RFL(3:0)}
else
    Actual_RFL(4:0) = {1'b0, RFL(3:0)}

```

This is a read-only register. Ignore reads from reserved bits.

Table 14-7. SASR0 Bit Definitions

Physical Address 0x4040_000C		Serial Audio Controller I ² S/MSB- Justified Status Register											I ² S Controller																			
Bit	31	30	29	28	27	26	25	24	23	22	21	20	19	18	17	16	15	14	13	12	11	10	9	8	7	6	5	4	3	2	1	0
	reserved											RFL	TFL		reserved	ROR	TUR	RFS	TFS	BSY	RNE	TNF										
Reset	0	0	0	0	0	0	0	0	0	0	0	0	0	0	0	0	0	0	0	0	0	0	0	0	0	0	0	0	0	0	0	1
Bits	Name		Description																													
31:16	—		reserved																													
15:12	RFL		Receive FIFO Level: number of entries in Receive FIFO																													
11:8	TFL		Transmit FIFO Level: number of entries in Transmit FIFO																													
7	—		reserved																													
6	ROR		Receive FIFO Overrun: 0 = Receive FIFO has not experienced an overrun 1 = I ² S attempted data write to full Receive FIFO (Interruptible) Can interrupt processor if bit6 of Serial Audio Interrupt Mask Register is set. Cleared by setting bit 6 of Serial Audio Interrupt Clear Register.																													
5	TUR		Transmit FIFO Under-run: 0 = Transmit FIFO has not experienced an under-run 1 = I ² S attempted data read from an empty Transmit FIFO Can interrupt processor if bit 5 of Serial Audio Interrupt Mask Register is set. Cleared by setting bit 5 of Serial Audio Interrupt Clear Register.																													
4	RFS		Receive FIFO Service Request: 0 = Receive FIFO level below RFL threshold, or I ² S disabled 1 = Receive FIFO level is at or above RFL threshold. Can interrupt processor if bit 4 of Serial Audio Interrupt Mask Register is set. Cleared automatically when # of Receive FIFO entries < (RFTH + 1).																													
3	TFS		Transmit FIFO Service Request: 0 = Transmit FIFO level exceeds TFL threshold, or I ² S disabled 1 = Transmit FIFO level is at or below TFL threshold Can interrupt processor if bit 3 of Serial Audio Interrupt Mask Register is set. Cleared automatically when # of Transmit FIFO entries >= (TFTH + 1).																													
2	BSY		I ² S Busy: 0 = I ² S is idle or disabled 1 = I ² S currently transmitting or receiving a frame																													
1	RNE		Receive FIFO not empty: 0 = Receive FIFO is empty 1 = Receive FIFO is not empty																													
0	TNF		Transmit FIFO not full: 0 = Transmit FIFO is full 1 = Transmit FIFO is not full																													

14.6.4 Serial Audio Clock Divider Register (SADIV)

SADIV, shown in Table 14-8, is used for generating six different BITCLK frequencies and hence six different sampling frequencies.

The reset value, 0x0000001A, defaults to a sampling frequency of 22.05 kHz.

Note: Setting this register to values other than those shown in Section 14.2 is not allowed and will cause unpredictable activity.

This is a read/write register. Ignore reads from reserved bits. Write zeros to reserved bits.

Table 14-8. SADIV Bit Definitions

Physical Address 0x4040_0060		Serial Audio Clock Divider Register	I ² S Controller									
Bit	31 30 29 28 27 26 25 24 23 22 21 20 19 18 17 16 15 14 13 12 11 10 9 8 7 6 5 4 3 2 1 0											
	reserved						SADIV					
Reset	0 1 1 0 1 0											
Bits	Name	Description										
31:7	—	reserved										
6:0	SADIV	Audio clock divider. Valid SADIV(6:0) are: 000 1100 – BITCLK of 3.072MHz 000 1101 – BITCLK of 2.836 MHz 001 1010 – BITCLK of 1.418MHz 010 0100 – BITCLK of 1.024MHz 011 0100 – BITCLK of 708.92 KHz 100 1000 – BITCLK of 512.00 KHz										

14.6.5 Serial Audio Interrupt Clear Register (SAICR)

SAICR, shown in Table 14-9, is the Interrupt Control Register. This is only an addressable location and no data is actually stored. These addressable locations are used only for clearing status register (SASR0) bits. Each bit position corresponds to an interrupt source bit position in the Status register.

This is a write-only register. Write zeros to reserved bits.

Table 14-9. SAICR Bit Definitions

Physical Address 0x4040_0018		Serial Audio Interrupt Clear Register	I ² S Controller						
Bit	31 30 29 28 27 26 25 24 23 22 21 20 19 18 17 16 15 14 13 12 11 10 9 8 7 6 5 4 3 2 1 0								
	reserved						ROR	TUR	reserved
Reset	r r								
Bits	Name	Description							
31:7	—	reserved							
6	ROR	Clear Receive FIFO overrun Interrupt and ROR status bit in SASR0.							
5	TUR	Clear Transmit FIFO under-run Interrupt and TUR status bit in SASR0.							
4:0	—	reserved							

14.6.6 Serial Audio Interrupt Mask Register (SAIMR)

Writing a one to the corresponding bit position in the SAIMR, shown in Table 14-10, enables the corresponding interrupt signal.

This is a read/write register. Ignore reads from reserved bits. Write zeros to reserved bits.

Table 14-10. SAIMR Bit Descriptions

Physical Address 0x4040_0014		Serial Audio Interrupt Mask Register	I ² S Controller																		
Bit	31 30 29 28 27 26 25 24 23 22 21 20 19 18 17 16 15 14 13 12 11 10 9 8 7 6 5 4 3 2 1 0																				
	reserved																ROR	TUR	RFS	TFS	reserved
Reset	0 0																				
Bits	Name	Description																			
31:7	—	reserved																			
6	ROR	Enable Receive FIFO Overrun condition based interrupt.																			
5	TUR	Enable FIFO Under-run condition based interrupt.																			
4	RFS	Enable Receive FIFO Service Request based interrupt.																			
3	TFS	Enable Transmit FIFO Service Request based interrupt.																			
2:0	—	reserved																			

14.6.7 Serial Audio Data Register (SADR)

Writing a 32-bit sample to SADR, shown in Table 14-11, updates the data into the Transmit FIFO. Reading this register flushes a 32-bit sample from the Receive FIFO.

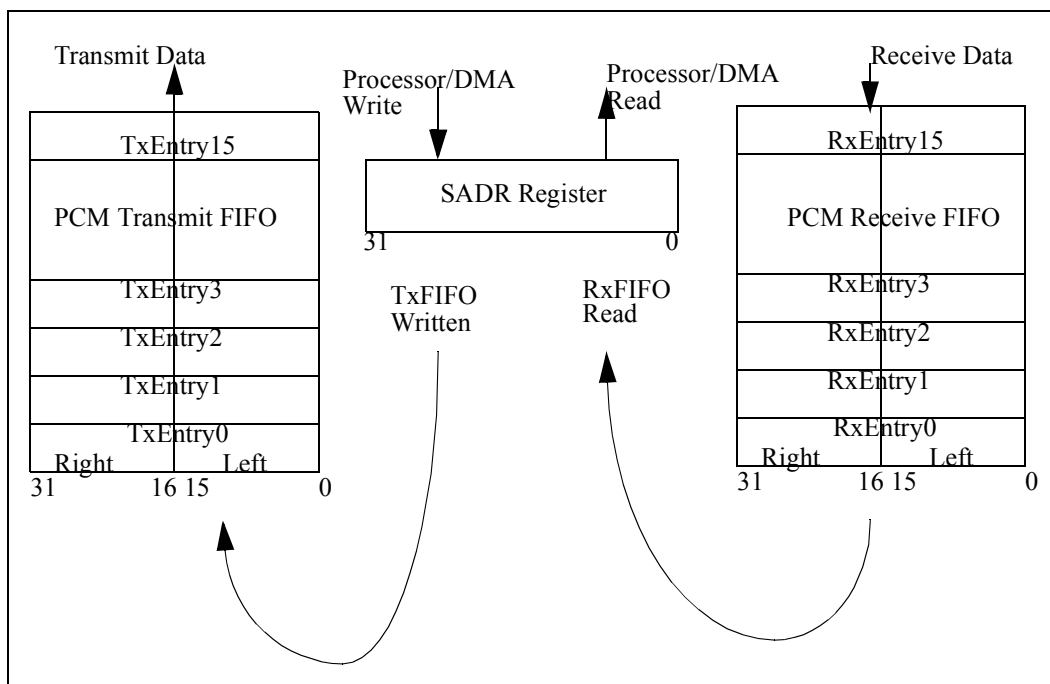
Figure 14-3 illustrates data flow through the FIFOs and SADR.

This is a read/write register. Ignore reads from reserved bits. Write zeros to reserved bits.

Table 14-11. SADR Bit Descriptions

Physical Address 0x4040_0080		Serial Audio Data Register	I ² S Controller																							
Bit	31 30 29 28 27 26 25 24 23 22 21 20 19 18 17 16 15 14 13 12 11 10 9 8 7 6 5 4 3 2 1 0																									
	DTH																DTL									
Reset	0 0																									
Bits	Name	Description																								
31:16	DTH	Right data sample																								
15:0	DTL	Left data sample																								

Figure 14-3. Transmit and Receive FIFO Accesses Through the SADR



14.7 Interrupts

The following SASR0 status bits, if enabled, interrupt the processor:

- Receive FIFO Service DMA Request (RFS)
- Transmit FIFO Service DMA Request (TFS)
- Transmit Under-run (TUR)
- Receive Over-run (ROR).

Note: For further details, see [Section 14.6.3](#).

14.8 I²S Controller Register Summary

All registers are word addressable (32 bits wide) and hence increment in units of 0x00004. All I2SC registers are mapped in the address range of 0x4040_0000 through 0x4040_0080, as shown in [Table 14-12](#).

Table 14-12. Register Memory Map

Address (paddr(9:0))	Register name	Description
0x4040_0000	SACR0	Global Control Register
0x4040_0004	SACR1	Serial Audio I ² S/MSB-Justified Control Register
0x4040_0008	—	reserved
0x4040_000C	SASR0	Serial Audio I ² S/MSB-Justified Interface and FIFO Status Register
0x4040_0014	SAIMR	Serial Audio Interrupt Mask Register
0x4040_0018	SAICR	Serial Audio Interrupt Clear Register
0x4040_001C through 0x4040_005C	—	reserved
0x4040_0060	SADIV	Audio clock divider register. See Section 14.4 .
0x4040_0064 through 0x4040_007C	—	reserved
0x4040_0080	SADR	Serial Audio Data Register (TX and RX FIFO access register).

15.1 Overview

The PXA255 processor MultiMediaCard (MMC) controller acts as a link between the software used to access the processor and the MMC stack (a set of memory cards). The MMC controller is designed to support the MMC system, a low-cost data storage and communications system. A detailed description of the MMC system is available through the MMC Association's web site at www.mmca.org. The processor's MMC controller is based on the standards outlined in *The MultiMediaCard System Specification Version 2.1* with the exception that one- and three-byte data transfers are not supported and the maximum block length is 1023.

The MMC controller supports the translation protocol from a standard MMC or Serial Peripheral Interface (SPI) bus to the MMC stack. The software used to access the processor must indicate whether to use MMC or SPI mode as the protocol to communicate with the MMC controller.

The MMC controller features:

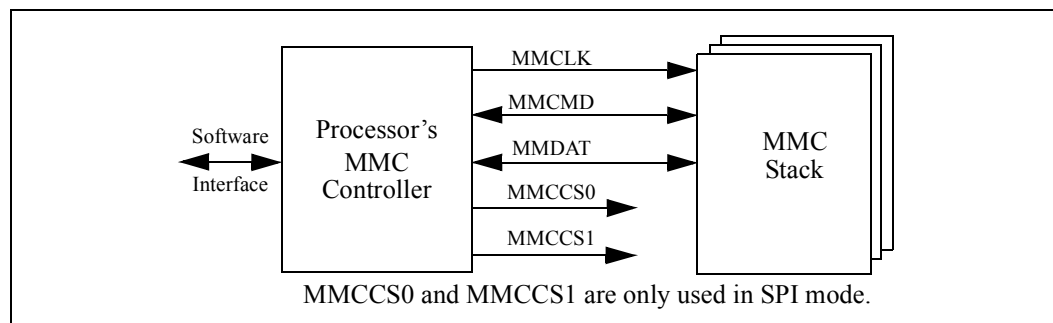
- Data transfer rates up to 20 Mbps
- A response FIFO
- Dual receive data FIFOs
- Dual transmit FIFOs
- Support for two MMCs in either MMC or SPI mode

The MMC controller contains all card-specific functions, serves as the bus master for the MMC system, and implements the standard interface to the card stack. The controller handles card initialization; CRC generation and validation; and command, response, and data transactions.

The MMC controller is a slave to the software and consists of command and control registers, a response FIFO, and data FIFOs. The software has access to these registers and FIFOs and generates commands, interprets responses, and controls subsequent actions.

Figure 15-1 shows a block diagram of the interaction of a typical MMC stack, the MMC controller, and a software.

Figure 15-1. MMC System Interaction



The MMC bus connects the card stack to the controller. The software and controller can turn the MMC clock on and off. The card stack and the controller communicate serially through the command and data lines and implement a message-based protocol. The messages consist of the following tokens:

- Command: a 6-byte command token starts an operation. The command set includes card initialization, card register reads and writes, data transfers, etc. The MMC controller sends the command token serially on the MMCMD signal. The format for a command token is shown in Table 15-1.

Table 15-1. Command Token Format

Bit Position	Width (bits)	Value	Description
47	1	0	start bit
46	1	1	transmission bit
[45:40]	6	x	command index
[39:8]	32	x	argument
[7:1]	7	x	CRC7
0	1	1	end bit

- Response: a response token is an answer to a command token. Each command has either a specific response type or no response type. The format for a response token varies according to the response expected and the card's mode. Response token formats are detailed *The MultiMediaCard System Specification Version 2.1*.
- Data: data is transferred serially between the controller and the card in 8-bit blocks at rates up to 20 Mbps. The format for the data token depends on the card's mode. Table 15-2 shows the data token format for MMC mode and Table 15-3 shows the data token format for SPI mode.

Table 15-2. MMC Data Token Format

Stream Data	Block Data	Description
1	0	start bit
x	x	data
no CRC	x	CRC7
1	1	end bit

Table 15-3. SPI Data Token Format

Value	Description
11111110	start byte
x	data
x	CRC16

In MMC mode, all operations contain command tokens and most commands have an associated response token. Read and write commands also have a data token. Command and response tokens are sent and received on the bidirectional MMCMD signal and data tokens are sent and received on

the bidirectional MMDAT signal. A typical MMC mode command timing diagram with and without a response is shown in Figure 15-2 while Figure 15-3 shows a typical MMC mode timing diagram for a sequential read or write

Figure 15-2. MMC Mode Operation Without Data Token

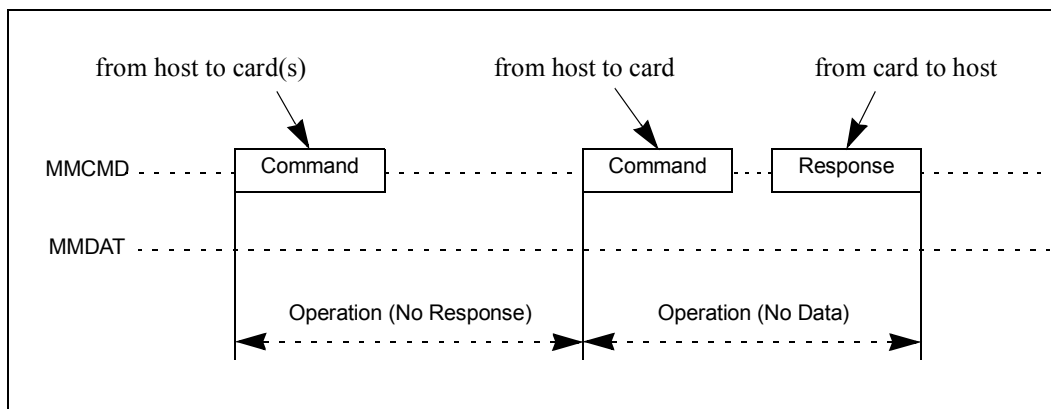
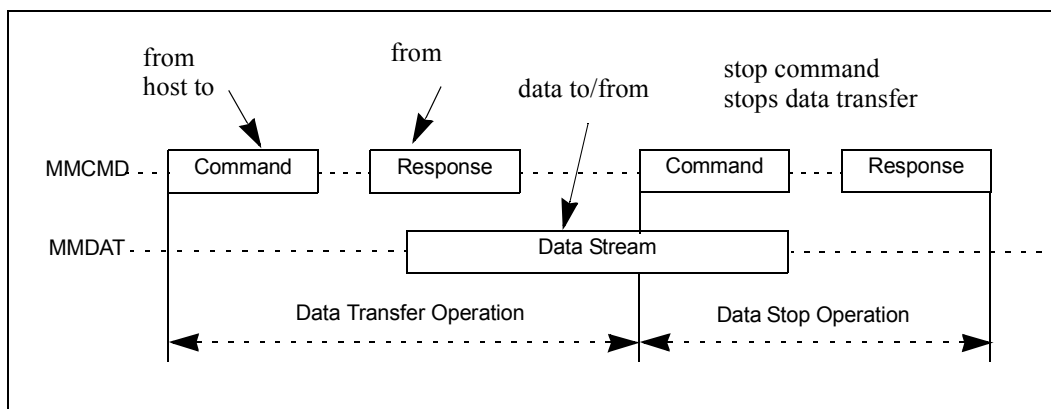


Figure 15-3. MMC Mode Operation With Data Token



In SPI mode, not all commands are available. The available commands have both a command and response token. The MMCMD and MMDAT signals are no longer bidirectional in SPI mode. The MMCMD is an output and the MMDAT is an input with respect to the processor. The command and data tokens to be written are sent on the MMCMD signal and the response and read data tokens are received on the MMDAT signal. Figure 15-4 shows a typical SPI mode timing diagram without a data token. Figure 15-5 and Figure 15-6 show SPI mode read and write timing diagrams, respectively.

Figure 15-4. SPI Mode Operation Without Data Token

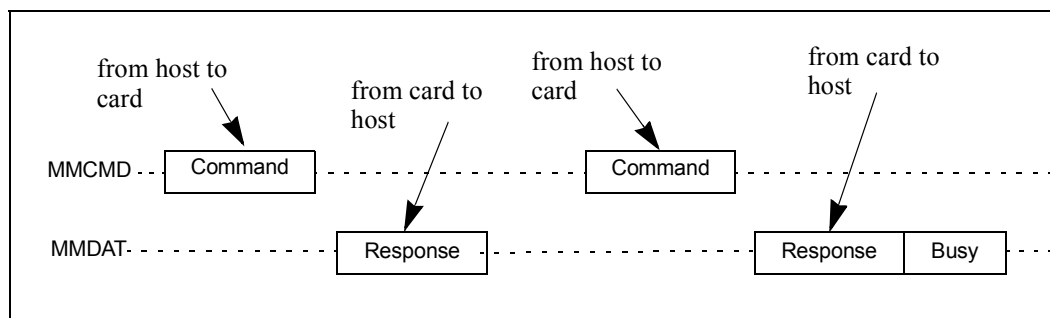


Figure 15-5. SPI Mode Read Operation

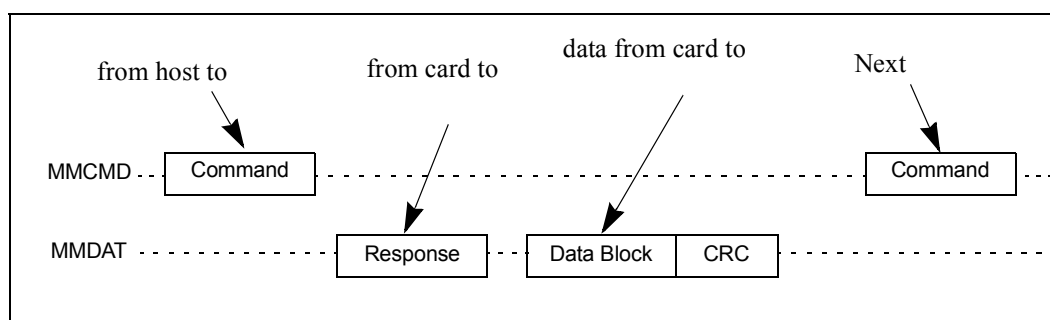
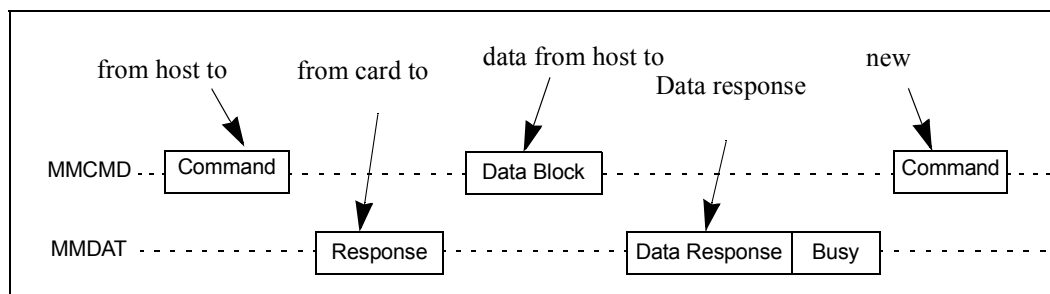


Figure 15-6. SPI Mode Write Operation



Note: One- and three-byte data transfers are not supported with this controller. Data transfers of 10 or more bytes are supported for stream writes only.

Refer to *The MultiMediaCard System Specification* for detailed information on MMC and SPI modes of operation.

15.2 MMC Controller Functional Description

The software must read and write the MMC controller registers and FIFOs to initiate communication to a card.

The MMC controller is the interface between the software and the MMC bus. It is responsible for the timing and protocol between the software and the MMC bus. It consists of control and status registers, a 16-bit response FIFO that is eight entries deep, two 8-bit receive data FIFOs that are 32 entries deep, and two 8-bit transmit FIFOs that are 32 entries deep. The registers and FIFOs are accessible by the software.

The MMC controller also enables minimal data latency by buffering data and generating and checking CRCs.

Refer to [Section 15.4](#) for examples.

15.2.1 Signal Description

The MMC controller signals are MMCLK, MMCMD, MMDAT, MMCCS0, and MMCCS1. Table 15-4 describes each signal's function.

Table 15-4. MMC Signal Description

Signal Name	Input/Output	Description
MMCLK	Output	Clock signal to MMC
MMCMD	BiDirectional	Command line
MMDAT	BiDirectional	Data line
MMCCS0	Output	Chip Select 0 (used only in SPI mode)
MMCCS1	Output	Chip Select 1 (used only in SPI mode)

The MMCLK, MMCCS0, and MMCCS1 signals are routed through alternate functions within the GPIO. Refer to [Section 4.1, “General-Purpose I/O” on page 4-1](#) for a description of the process used to assign these signals to a specific GPIO. Even though there are several GPIO assigned to each signal, each signal must be programmed to one of the possible GPIOs. Refer to [Section 4.1.2, “GPIO Alternate Functions” on page 4-2](#) for a complete description of the GPIO alternate functions.

15.2.2 MMC Controller Reset

The MMC controller can only be reset by a hard or soft reset of the processor. The ways to reset the processor and the MMC controller can be found in [Section 2.6, “Reset” on page 2-6](#). All registers and FIFO controls are set to their default values after any reset.

15.2.3 Card Initialization Sequence

After reset, the MMC card must be initialized by sending 80 clocks to it on the MMCLK signal. To initialize the MMC card, set the MMC_CMDAT[INIT] bit to a 1. This sends 80 clocks before the current command in the MMC_CMD register. This function is useful for acquiring new cards that have been inserted on the bus. Chip selects are not asserted during the initialization sequence.

After the 80-clock initialization sequence, the software must continuously send CMD1 (see [Table 15-18](#) for command definitions) by loading the appropriate command index into the MMC_CMD register until the card indicates that the power-up sequence is complete. The software can then assign an address to the card or put it into SPI mode.

15.2.4 MMC and SPI Modes

After reset, the MMC card is in the MMC mode. The card may remain in MMC mode or be configured to SPI mode by setting the MMC_SPI register bits. The following sections briefly describe each mode as it pertains to the MMC controller.

15.2.4.1 MMC Mode

In MMC mode, the MMCMD and MMDAT signals are bidirectional and require external pullups. The command and response tokens are sent and received via the MMCMD signal and data is read and written via the MMDAT signal.

After an MMC card is powered on, it is assigned a default relative card address (RCA) of 0x0001. The software assigns different addresses to each card during the initialization sequence described in [Section 15.2.3](#). A card is then addressed by its new relative address in the argument portion of the command token that is protected with a 7-bit CRC (see [Table 15-1](#)). For a description of the identification process when multiple cards are connected to a system, refer to the Card Identification Process as described in *The MultiMediaCard System Specification*.

There are five formats for the response token, including a no response token. The response token length is 48 or 136 bits and may be protected with a 7-bit CRC. Details of the response token can be found in *The MultiMediaCard System Specification*.

In write data transfers, the data is suffixed with a 5-bit CRC status token from the card. After the CRC status token, the card may indicate that it is busy by pulling the MMDAT line low.

The start address for a read operation can be any random byte address in the valid address space of the card memory. For a write operation, the start address must be on a sector boundary and the data length must be an integer multiple of the sector length. A sector is the number of blocks that will be erased during the write operation and is fixed for each MMC card. A block is the number of bytes to be transferred.

The MMC mode supports these data transfer modes:

- Single block read/write: in single block mode, a single block of data is transferred. The starting address is specified in the command token of the read or write command used. The software must set the block size in the controller by entering the number of bytes to be transferred in the MMC_BLKLEN register. The data block is protected with a 16-bit CRC that is generated by the sending unit and checked by the receiving unit. The CRC is appended to the data after the last data bit is transferred.
- Multiple block read/write: in multiple block mode, multiple blocks of data are transferred. Each block is the same length as specified by the software in the MMC_BLKLEN register. The blocks of data are stored or retrieved from contiguous memory addresses starting at the address specified in the command token. The software specifies the number of blocks to transfer in the MMC_NOB register. Each data block is protected by appending a 16-bit CRC. Multiple block data transfers are terminated with a stop transmission command.
- Stream read/write: in stream mode, a continuous stream of data is transferred. The starting address is specified in the command token of the read or write command used. The data stream is terminated with a stop transmission command. For write transfers, the stop transmission command must be transmitted with the last six bytes of data. This ensures that the correct amount of data is written to the card. For read transfers, the stop transmission command may occur after the data transmission has occurred. There is no CRC protection for data in this mode.

15.2.4.2 SPI Mode

SPI mode is an optional secondary communication protocol. In SPI mode, the MMCMD and MMDAT lines are unidirectional and only single block data transfers are allowed. The MMCMD signal is an output from the controller and sends the command token and write data to the MMC card. The MMDAT signal is an input to the controller and receives the response token and read data from the MMC card.

Note: When the card is in SPI mode, the only way to return to MMC mode is by toggling the power to the card.

Card addressing is implemented with hardware chip selects, MMCCS1 and MMCCS0. All command, response, and data tokens are 8-bits long and are transmitted immediately following the assertion of the respective chip select.

The command token is protected with a 7-bit CRC. The card always sends a response to a command token. The response token has four formats, including an 8-bit error response. The length of the response tokens is one, two, or five bytes.

SPI mode offers a non protected mode. In this mode, CRC bits of the command, response, and data tokens are still required in the tokens but these bits are ignored by the card and the controller.

In write data transfers, the data is suffixed with an 8-bit CRC status token from the card. As in MMC mode, the card may indicate that it is busy by pulling the MMDAT line low after the status token. In read data transfers, the card may respond with the data or a data error token one byte long.

15.2.5 Error Detection

The MMC controller detects these errors on the MMC bus and reports them in the status register (MMC_STAT):

- Response CRC error: a CRC error was calculated on the command response.
- Response time out: the response did not begin before the specified number of clocks.
- Write data CRC error: the card returned a CRC status error on the data.
- Read data CRC error: a CRC error was calculated on the data.
- Read time out: the read data operation did not begin before the specified number of clocks.
- SPI data error: a read data error token was detected In SPI mode.

15.2.6 Interrupts

The MMC controller generates interrupts to signal the status of a command sequence. The software is responsible for masking the interrupts appropriately, verifying the interrupts, and performing the appropriate action as necessary.

Interrupts and masking are described in [Section 15.5.11](#) and [Section 15.5.12](#). The CMDAT[DMA_EN] bit will also mask the MMC_I_MASK[RXFIFO_RD_REQ] and MMC_I_MASK[TXFIFO_WR_REQ] interrupt bits.

15.2.7 Clock Control

Both the MMC controller and the software can control the MMC bus clock (MMCLK) by turning it on and off. This helps to control the data flow to prevent under runs and overflows and also conserves power. The software can also change the frequency at any time to achieve the maximum data transfer rate specified for a card's identification frequency.

The MMC controller has an internal frequency generator that may start, stop, and divide the MMC bus clock. The software may start and stop the clock by setting the appropriate bits in the MMC_STRPCL register. The MMCLK frequency is controlled by the value written in the MMC_CLKRT register.

To write any MMC controller register for the next command sequence, software must:

1. Stop the clock.
2. Write the registers.
3. Restart the clock.

Software must not stop the clock when it attempts to read the receive FIFOs or write the transmit FIFOs. When the clock stops, it resets the pointers in the FIFOs and any data left in the FIFOs can not be transmitted or accessed. When the receive FIFOs are empty and the MMC_STAT[DATA_TRAN_DONE] is set, software may stop the clock.

The software can specify the clock divisor of the 20 Mhz clock by setting the MMC_CLKRT register. The clock rate may be set as:

- 20 Mhz
- 1/2 of 20 Mhz, 10 Mhz
- 1/4 of 20 Mhz, 5 Mhz
- 1/8 of 20 Mhz, 2.5 Mhz
- 1/16 of 20 Mhz, 1.25 Mhz
- 1/32 of 20 Mhz, 625 khz
- 1/64 if 20 Mhz, 312.5 khz

The controller can also turn the clock off automatically. If both receive FIFOs become full during data reads, or one receive FIFO is being read by the software and the other receive FIFO becomes full, or both transmit FIFOs become empty during data writes, or one transmit FIFO is being written by the software and the other transmit FIFO is empty, the controller will automatically turn the clock off to prevent data overflows and under runs. For read data transfers, the controller turns the clock back on after a receive FIFO has been emptied. For write data transfers, the controller turns the clock back on after the transmit FIFO is no longer empty.

Warning: Stopping the clock while data is in the transmit or receive FIFOs will cause unpredictable results.

If the software stops the clock at any time, it must wait for the MMC_STAT[CLK_EN] status bit to be cleared before proceeding.

15.2.8 Data FIFOs

The controller FIFOs for the response tokens, received data, and transmitted data are MMC_RES, MMC_RXFIFO, and MMC_TXFIFO, respectively. These FIFOs are accessible by the software and are described in the following paragraphs.

15.2.8.1 Response Data FIFO (MMC_RES)

The response FIFO, MMC_RES, contains the response received from an MMC card after a command is sent from the controller. MMC_RES is a read only, 16-bit, and 8-entry deep FIFO.

The FIFO will hold all possible response lengths. Responses that are only one byte long are located on the MSB of the 16-bit entry in the FIFO. The first half-word read from the response FIFO is the most significant half-word of the received response.

The FIFO does not contain the response CRC. The status of the CRC check is in the status register, MMC_STAT.

15.2.8.2 Receive Data FIFO, MMC_RXFIFO

The two receive data FIFOs are read only by the software and are readable on a single byte basis. They are dual FIFOs, where each FIFO is 32 entries of 1-byte data. Access to the FIFOs is controlled by the controller and depends on the status of the FIFOs.

Both FIFOs and their controls are cleared to a starting state after a system reset and at the beginning of all command sequences.

The FIFOs swap between the software and MMC bus. At any time, while the software has read access to one of the FIFOs, the MMC bus has write access to the other FIFO.

For purposes of an example, the FIFOs are called RXFIFO1 and RXFIFO2. After a reset or at the beginning of a command sequence, both FIFOs are empty and the software has read access to RXFIFO1 and the MMC has write access to RXFIFO2. When RXFIFO2 becomes full and RXFIFO1 is empty, the FIFOs swap and the software has read access to RXFIFO2 and the MMC has write access to RXFIFO1. When RXFIFO1 becomes full and RXFIFO2 is empty, the FIFOs swap and the software has read access to RXFIFO1 and the MMC has write access to RXFIFO2.

This swapping process continues through out the data transfer and is transparent to both the software and the MMC controller.

If at any time both FIFOs become full and the data transmission is not complete, the controller turns the MMCLK off to prevent any overflows. When the clock is off, data transmission from the card stops until the clock is turned back on. After the software has emptied the FIFO that it is connected to, the controller turns the clock on to continue data transmission.

The full status of the FIFO that the software is connected to is registered in the MMC_STAT[RECV_FIFO_FULL] bit.

The receive FIFO is readable on byte boundaries and the FIFO read request is only asserted once per FIFO access (once per 32 bytes available). Therefore, 32 bytes must be read for each request, except for the last read which may be less than 32 bytes.

If the DMA is used, it must be programmed to do 1-byte reads of 32-byte bursts. The last read can be less than a 32-byte burst. Some examples are:

- Receive 96 bytes of data:
Read 32 bytes three times.
For the DMA, use three descriptors of 32 bytes and 32-byte bursts.
- Receive 98 bytes of data:
Read 32 bytes three times, then read two more bytes.
For the DMA, use three descriptors of 32 bytes and 32-byte bursts and one descriptor of two more bytes and 8-, 16-, or 32- byte bursts.
- Receive 105 bytes:
Read 32 bytes three times, then read nine more bytes.
For the DMA, use three descriptors of 32 bytes and 32-byte bursts and one descriptor of nine or more bytes and 16- or 32-byte bursts.

15.2.8.3 Transmit Data FIFO, MMC_TXFIFO

The two transmit data FIFOs are written only by the software and are writable on a single byte basis. They are dual FIFOs, where each FIFO is 32 entries of one byte data. Access to the FIFOs is controlled by the controller and depends on the status of the FIFOs.

Both FIFOs and their controls are cleared to a starting state after a system reset and at the beginning of all command sequences.

The FIFOs swap between the software and MMC bus. At any time, while the software has write access to one of the FIFOs, the MMC bus has read access to the other FIFO.

For purposes of an example, the FIFOs are called TXFIFO1 and TXFIFO2. After a reset or at the beginning of a command sequence, both FIFOs are empty and the software has write access to TXFIFO1 and the MMC has read access to TXFIFO2. When TXFIFO1 becomes full and TXFIFO2 is empty, the FIFOs swap and the software has write access to TXFIFO2 and the MMC has read access to TXFIFO1. When TXFIFO2 becomes full and TXFIFO1 is empty, the FIFOs swap and the software has write access to TXFIFO1 and the MMC has read access to TXFIFO2.

This swapping process continues through out the data transfer and is transparent to both the software and the MMC controller.

If at any time both FIFOs become empty and the data transmission is not complete, the controller turns the MMCLK off to prevent any underruns. When the clock is off, data transmission to the card stops until the clock is turned back on. When the transmit FIFO is no longer empty, the MMC controller automatically restarts the clock.

If the software does not fill the FIFO to which it is connected, the MMC_PRTBUF[BUF_PART_FULL] bit must be set to a 1. This enables the FIFOs to swap without filling the FIFO.

The empty status of the FIFO that the software is connected to is registered in the MMC_STAT[XMIT_FIFO_EMPTY] bit.

The transmit FIFO is writable on byte boundaries and the FIFO write request is only asserted once per FIFO access (once per 32 entries available). Therefore, 32 bytes must be written for each request, except for the last write which may be less than 32 bytes.

When the DMA is used, it must be programmed to do 1-byte writes of 32-byte bursts. The last write can be less than a 32-byte burst.

If the last write is less than 32 bytes, then the MMC_PRTBUF[BUF_PART_FULL] bit must be set. When the DMA is used, the last descriptor must be programmed to allow the DMA to set an interrupt after the data is written to the FIFO. After the interrupt occurs, the software must set the MMC_PRTBUF[BUF_PART_FULL] bit.

Some examples are:

- Transmit 96 bytes of data:
Write 32 bytes three times.
For the DMA, use three descriptors of 32 bytes and 32-byte bursts.
- Transmit 98 bytes of data:
Write 32 bytes three times, then write two more bytes.
For the DMA, use three descriptors of 32 bytes and 32-byte bursts and one descriptor of two more bytes and 8-, 16- or 32-byte bursts and program the descriptor to set an interrupt, for the software to write the MMC_PRTBUF[BUF_PART_FULL] bit.
- Transmit 105 bytes:
Write 32 bytes three times, then write nine more bytes.
For the DMA, use three descriptors of 32 bytes and 32-byte bursts and one descriptor of nine more bytes and 16- or 32-byte bursts and program the descriptor to set an interrupt, for the software to write MMC_PRTBUF[BUF_PART_FULL] bit.

15.2.8.4 DMA and Program I/O

The software may communicate to the MMC controller via the DMA or program I/O.

To access the FIFOs with the DMA, the software must program the DMA to read or write the MMC FIFOs with single byte transfers, and 32-byte bursts. For example, to write 64 bytes of data to the MMC_TXFIFO, the software must program the DMA to write 64 bytes with an 8-bit port size to the MMC and for 32-byte bursts. The MMC issues a request to read the MMC_RXFIFO and a request to write the MMC_TXFIFO.

With program I/O, the software waits for the MMC_I_REG[RXFIFO_RD_REQ] or MMC_I_REG[TXFIFO_WR_REQ] interrupts before reading or writing the respective FIFO.

The CMDAT[DMA_EN] bit must be set to a 1 to enable communication with the DMA and it must be set to a 0 to enable program I/O.

15.3 Card Communication Protocol

This section discusses the software's responsibilities and the communication protocols used between the MMC and the card.

15.3.1 Basic, No Data, Command and Response Sequence

The MMC controller performs the basic MMC or SPI bus transaction. It formats the command from the command registers and generates and appends the 7-bit CRC if applicable. It then serially translates this to the MMCMD bus, collects the response data, and validates the response CRC. It also checks for response time-outs and card busy if applicable. The response data is in the MMC_RES FIFO and the status of the transaction is in the status register, MMC_STAT.

The protocol of events for the software is:

1. Stop the clock
2. Write 0x6f to the MMC_I_MASK register and wait for and verify the MMC_I_REG[CLK_IS_OFF] interrupt
3. Write to these registers, as necessary:
 - MMC_CMD
 - MMC_ARGH
 - MMC_ARGL
 - MMC_CMDAT, this register must be written, even if there is no change to the register
 - MMC_CLKRT
 - MMC_SPI
 - MMC_RESTO
4. Start the clock
5. Write 0x7b to the MMC_I_MASK register and wait for and verify the MMC_I_REG[END_CMD_RES] interrupt
6. Read the MMC_RES FIFO and MMC_STAT registers

Some cards may become busy as the result of a command. The software may wait for the card to become not busy by writing the MMC_I_MASK register and waiting for the MMC_I_REG[PRG_DONE] interrupt or the software can start communication to another card. The software may not access the same card again until the card is no longer busy. Refer to *The MultiMediaCard System Specification* for additional information.

15.3.2 Data Transfer

A data transfer is a command and response sequence with the addition of a data transfer to a card.

Refer to the examples in [Section 15.4](#).

The software must follow the steps as described in [Section 15.3.1](#). In addition, before starting the clock, the software must write these registers as necessary.

- MMC_RDTO
- MMC_BLKLEN
- MMC_NOB

After the software writes the registers and starts the clock, the software must read the MMC_RES as described above and read or write the MMC_RXFIFO or MMC_TXFIFO FIFOs.

After completely reading or writing the data FIFOs, the software must wait for the appropriate interrupts. The status register, MMC_STAT, must be read to ensure that the transaction is complete and to check the status of the transaction.

When using DMA request signals, the controller indicates to the DMA when a FIFO is ready for reading or writing. It is expected that all FIFO reads and writes will empty and fill the FIFO to which it is connected. If at any time the MMC_TXFIFO is not filled (32 bytes) by the software, the software must notify the controller by setting the MMC_PRTBUF[BUF_PART_FULL]. The software can write more bytes of data than is needed into the MMC_TXFIFO, but the controller will only transmit the number of bytes in the MMC_BLKLEN register.

At the end of any data transfer or busy signal on the MMC bus, the MMC controller waits eight MMC clocks before asserting the MMC_I_REG[DATA_TRAN_DONE] interrupt to notify the software that the data transfer is complete. This guarantees that the specified minimum of eight MMC clocks occurs between a data transfer and the next command.

On write data transfers, a card may become busy while programming the data. The software may wait for the card to become not busy by writing the MMC_I_MASK register and waiting for the MMC_I_REG[PRG_DONE] interrupt or the software can start communication to another card. Refer to *The MultiMediaCard System Specification* for additional information.

The MMC controller performs data transactions in all the basic modes: single block, multiple blocks, and stream modes.

15.3.2.1 Block Data Write

In a single block data write, a block of data is written to a card. In a multiple block write, the controller performs multiple single block write data transfers on the MMC bus.

After turning the clock on to start the command sequence, the software must program the DMA to fill the MMC_TXFIFO (write 32 bytes). The software must continue to fill the FIFO until all of the data has been written to the FIFOs. The software must then wait for the transmission to complete by waiting for the MMC_I_REG[DATA_TRAN_DONE] interrupt and MMC_I_REG[PRG_DONE] interrupt. The software can then read the status register, MMC_STAT, to verify the status of the transaction.

For multiple block writes, *The MultiMediaCard System Specification* specifies that the card will continue to receive blocks of data until the stop transmission command is received. After the controller has transmitted the number of bytes specified in the MMC_NOB register, the controller will stop transmitting data. After the MMC_I_REG[DATA_TRAN_DONE] interrupt is detected, the software must setup the controller to send the stop transmission command, CMD12. Consult *The MultiMediaCard System Specification* for a description of the stop transmission command.

If both transmit FIFOs become empty during data transmission, the MMC controller turns the clock off. After a FIFO has been written, the controller turns the clock back on.

In a block data write, these parameters must be specified:

- The data transfer is a write.
- The block length if the block length is different from the previous block data transfer or this is the first time that the parameter is being specified.
- The number of blocks to be transferred.

15.3.2.2 Block Data Read

In a single block data read, a block of data is read from a card. In a multiple block read, the controller performs multiple single block read data transfers on the MMC bus.

After turning the clock on to start the command sequence, the software must program the DMA to empty the MMC_RXFIFO (read 32 bytes). The software will continue the process of emptying the FIFO until all of the data has been read from the FIFO. The software must then wait for the transmission to complete by waiting for the MMC_I_REG[DATA_TRAN_DONE] interrupt. The software can then read the status register, MMC_STAT, to verify the status of the transaction.

For multiple block reads, *The MultiMediaCard System Specification* specifies that the card will continue to send blocks of data until the stop transmission command is received. After the controller has received the number of bytes specified in the MMC_NOB register, the controller will stop receiving data. After the MMC_I_REG[DATA_TRAN_DONE] interrupt is detected, the software must set up the controller to send the stop transmission command, CMD12. Consult *The MultiMediaCard System Specification* for a description of the stop transmission command.

If both receive FIFOs become full during the data transmission, the controller turns the clock off. Once the software empties the FIFO to which it is connected, the controller turns the clock back on.

In a block data read, the following parameters must be specified:

- The data transfer is a read.
- The block length, if the block length is different from the previous block data transfer or this is the first time that the parameter is being specified.
- The number of blocks to be transferred.
- The receive data time-out period.

The controller will mark the data transaction as timed out if data is not received before the time-out period. The delay for the time-out period is defined as:

$$\text{Time-out Delay} = \frac{(\text{MMC_RDTO}[\text{READ_TO}]) \times (128)}{10^7} \text{sec}$$

The software is required to calculate this value and write the appropriate value into the MMC_RDTO register.

15.3.2.3 Stream Data Write

The stream data write looks like the single block write except a stop transmission command is sent in parallel with the last six bytes of data.

After turning the clock on to start the command sequence, the software must start the process of filling the MMC_TXFIFO and starting the clock as describe in [Section 15.3.2.1](#). The software must then wait for the MMC_I_REG[STOP_CMD] interrupt. This interrupt indicates that the MMC controller is ready for the stop transmission command. The software must then stop the clock, write the registers for a stop transmission command, and then start the clock. At this point, the software must wait for the MMC_I_REG[DATA_TRAN_DONE] and MMC_I_REG[PRG_DONE] interrupts.

In a stream data write, the following parameters must be specified:

- The data transfer is a write.
- The data transfer is in stream mode
- The block length, if the block length is different from the previous block data transfer or this is the first time that the parameter is being specified.
- The number of blocks to be transferred as 0xffff.

15.3.2.4 Stream Data READ

The stream data read looks like the single block read except a stop transmission command must be sent after the data transfer.

After turning the clock on to start the command sequence, the software must start the process of reading the MMC_RXFIFO as described in [Section 15.3.2.2](#).

When it uses the DMA, the software must also configure the DMA to send an interrupt after all data has been read. After the DMA interrupt or the program has read all of the data, the software must send the stop transmission command. The MCC_STAT[DATA_TRAN_DONE] bit is not set until after software sends the stop transmission command.

In a stream data read, the following parameters must be specified:

- The data transfer is a read.
- The data transfer is in stream mode.
- The block length, if the block length is different from the previous block data transfer or this is the first time that the parameter is being specified.
- The number of blocks to be transferred as 0xffff.
- The receive data time-out period.

15.3.3 Busy Sequence

The MMC controller expects a busy signal automatically from the card after every block of data for single and multiple block write operations. It will also expect a busy at the end of a command every time that the software specifies that a busy signal is expected (i.e. a busy signal is expected after the commands for stop transmission, card select, erase, program CID, etc.). Refer to the *The MultiMediaCard System Specification*.

While a busy signal is on the MMC bus, the software can send only one of two commands:

- Send status command (CMD13).
- Disconnect command (CMD7).

If the software disconnects a card while it is in a busy state, the busy signal will be turned off and the software can connect a different card. The software may not start another command sequence on the same card while the card is busy.

15.3.4 SPI Functionality

The MMC controller can address up to two cards in SPI mode using the MMCCS[1:0] chip select signals. Once the software specifies which chip select to enable in the MMC_SPI register, the selected signal is driven active low at a falling edge of the MMC clock. The chip select remains asserted until software clears the chip select enable bit or selects another card.

Note: The clock must be stopped before writing to any registers as described in [Section 15.3.1](#).

In SPI mode, the software has the option of performing a CRC check. The default is no CRC checking.

The command and data are sent on the MMC bus aligned to every 8 clocks as described in the SPI section of *The MultiMediaCard System Specification*.

In a read sequence, the card may return data or a data error token. If a data error token is received, the controller will stop the transmission and update the status register.

15.4 MultiMediaCard Controller Operation

The software directs all communication between the card and the controller. The operations shown in the preceding sections are valid for MMC mode only.

15.4.1 Start and Stop Clock

The set of registers is accessed by stopping the clock, writing the registers, and starting the clock.

The software stops the clock, as:

1. Write 0x01 in MMC_STRPCL to stop the MMC clock.
2. Write 0x0f in MMC_I_MASK to mask all interrupts except the MMC_I_REG[CLK_IS_OFF] interrupt.
3. Wait for the MMC_I_REG[CLK_IS_OFF] interrupt.

To start the clock the software writes 0x02 in MMC_STRPCL.

15.4.2 Initialize

Card initialization sequences must be prefixed with 80 clock cycles. To generate 80 clock cycles before any command, the software must set the MMC_CMDAT[INIT] bit.

15.4.3 Enabling SPI Mode

To communicate with a card in SPI mode, the software must set the MMC_SPI register as follows:

1. MMC_SPI[SPI_EN] must be set to 1.
2. MMC_SPI[SPI_CS_EN] must be set to 1.

3. MMC_SPI[SPI_CS_ADDRESS] must be set to specify the card that the software wants to address. A 1 enables CS0 and a 0 enables CS1.

Note: When the card is in SPI mode, the only way to return to MMC mode is by toggling power to the card.

15.4.4 No Data Command and Response Sequence

For the basic no data transfer, command and response transaction, the software must:

1. Turn the clock off, as described in [Section 15.4.1](#).
2. Write the command index in the MMC_CMD[CMD_INDEX] bits.
3. Write the command argument in the MMC_ARGH and MMC_ARGL registers.
4. Write the MMC_CMDAT register set as:
 - a. Write 0b00 to MMC_CMDAT[RESPONSE_FORMAT].
 - b. Clear the MMC_CMDAT[DATA_EN] bit.
 - c. Clear the MMC_CMDAT[BUSY] bit, unless the card may respond busy.
 - d. Clear the MMC_CMDAT[INIT] bit.
5. Write MMC_RESTO register with the appropriate value.
6. Write 0x1b in MMC_I_MASK to unmask the MMC_I_REG[END_CMD_RES] interrupt.
7. Start the clock, as described in [Section 15.4.1](#).

The software must not make changes in the set of registers until the end of the command and response sequence, after the clock is turned on.

After the clock is turned on, the software must wait for the MMC_I_REG[END_CMD_RES] interrupt, which indicates that the command and response sequence is finished and the response is in the MMC_RES FIFO.

The software may then read the MMC_STAT register to verify the status of the transaction and then read MMC_RES FIFO. If a response time-out occurred, the MMC_RES FIFO will not contain any valid data.

15.4.5 Erase

An erase command is performed as described in [Section 15.4.4](#) with the following additions: the BUSY_BIT in the MMC_CMDAT register must be set to a 1 after it reads the MMC_RES FIFO.

15.4.6 Single Data Block Write

In a single block write command, the software must stop the clock and set the registers as described in [Section 15.4.4](#). These registers must be set before the clock is started:

- Set MMC_NOB register to 0x0001.
- Set MMC_BLKLEN to the number of bytes per block.

- Update the MMC_CMDAT register as:
 - Write 0x01 to MMC_CMDAT[RESPONSE_FORMAT]
 - Set the MMC_CMDAT[DATA_EN] bit.
 - Set the MMC_CMDAT[WRITE/READ] bit.
 - Clear the MMC_CMDAT[STREAM_BLOCK] bit.
 - Clear the MMC_CMDAT[BUSY] bit.
 - Clear the MMC_CMDAT[INIT] bit.
- Turn the clock on.

After it starts the clock, the software must perform these steps:

1. Wait for the response as described in [Section 15.4.4](#).
2. Write data to the MMC_TXFIFO FIFO and continue until all of the data has been written to the FIFO.

Note: If a piece of data smaller than 32 bytes is written to the FIFO, the MMC_PRTBUF register must be set.

3. Set MMC_I_MASK register to 0x1e and wait for MMC_I_REG[DATA_TRAN_DONE] interrupt.
4. Set MMC_I_MASK to 0x1d.
5. Wait for MMC_I_REG[PRG_DONE] interrupt. This interrupt indicates that the card has finished programming. Software may wait for MMC_I_REG[PRG_DONE] or start another command sequence on a different card.
6. Read the MMC_STAT register to verify the status of the transaction (i.e. CRC error status).

To address a different card, the software sends a select command to that card by sending a basic no data command and response transaction. To address the same card, the software must wait for MMC_I_REG[PRG_DONE] interrupt. This ensures that the card is not in the busy state.

15.4.7 Single Block Read

In a single block read command, the software must stop the clock and set the registers as described in [Section 15.4.4](#).

These registers must be set before the clock is started:

- Update these MMC_CMDAT register bits:
 - Set the MMC_CMDAT[RESPONSE_FORMAT] bit.
 - Set the MMC_CMDAT[DATA_EN] bit.
 - Clear the MMC_CMDAT[WRITE/READ] bit.
 - Clear the MMC_CMDAT[STREAM_BLOCK] bit.
 - Clear the MMC_CMDAT[BUSY] bit.
 - Clear the MMC_CMDAT[INIT] bit.
- Set MMC_NOB register to 0x0001.
- Set MMC_BLKLEN register to the number of bytes per block.
- Turn the clock on.

After it turns the clock on, the software must perform these steps:

1. Wait for the response as described in [Section 15.4.4](#).
2. Read data from the MMC_RXFIFO FIFO, as data becomes available in the FIFO, and continue reading until all data is read from the FIFO.
3. Set MMC_I_MASK to 0x1e.
4. Wait for the MMC_I_REG[DATA_TRAN_DONE] interrupt.
5. Read the MMC_STAT register to verify the status of the transaction (i.e. CRC error status).

15.4.8 Multiple Block Write

The multiple block write mode is similar to the single block write mode, except that multiple blocks of data are transferred. Each block is the same length. All the registers are set as they are for the single block write, except that the MMC_NOB register is set to the number of blocks to be written.

The multiple block write mode also requires a stop transmission command, CMD12, after the data is transferred to the card. After the MMC_I_REG[DATA_TRAN_DONE] interrupt occurs, the software must program the controller registers to send a stop data transmission command.

15.4.9 Multiple Block Read

The multiple block read mode is similar to the single block read mode, except that multiple blocks of data are transferred. Each block is the same length. All the registers are set as they are for the single block read, except that the MMC_NOB register is set to the number of blocks to be read.

The multiple block read mode requires a stop transmission command, CMD12, after the data from the card is received. After the MMC_I_REG[DATA_TRAN_DONE] interrupt has occurred, the software must program the controller registers to send a stop data transmission command.

15.4.10 Stream Write

In a stream write command, the software must stop the clock and set the registers as described in [Section 15.4.4](#). These registers must be set before the clock is started:

- Set MMC_NOB register to ffffh.
- Set MMC_BLKLEN register to the number of bytes per block.
- Update MMC_CMDAT register as:
 - Write 0b01 to the MMC_CMDAT[RESPONSE_FORMAT].
 - Set the MMC_CMDAT[DATA_EN] bit.
 - Set the MMC_CMDAT[WRITE/READ] bit.
 - Set the MMC_CMDAT[STREAM_BLOCK] bit.
 - Clear the MMC_CMDAT[BUSY] bit.
 - Clear the MMC_CMDAT[INIT] bit.
- Turn the clock on.

After it turns the clock on, the software must perform these steps:

1. Wait for the response as described in [Section 15.4.4](#).
2. Write data to the MMC_TXFIFO FIFO and continue until all of the data is written to the FIFO.

Note: When data less than 32 bytes is written to the FIFO, the MMC_PRTBUF[BUF_PART_FULL] bit must be set.

3. Set MMC_I_MASK to 0x77 and wait for MMC_I_REG[STOP_CMD] interrupt.
4. Set the command registers for a stop transaction command (CMD12).
5. Wait for a response to the stop transaction command as described in [Section 15.4.4](#).
6. Set MMC_I_MASK to 0x1e.
7. Wait for MMC_I_REG[DATA_TRAN_DONE] interrupt.
8. Set MMC_I_MASK to 0x1d.
9. Wait for MMC_I_REG[PRG_DONE] interrupt. This interrupt indicates that the card has finished programming. Software may wait for MMC_I_REG[PRG_DONE] interrupt or start another command sequence on a different card.
10. Read the MMC_STAT register to verify the status of the transaction (i.e. CRC error status).

To address a different card, the software must send a select command to that card by sending a basic no data command and response transaction. To address the same card, the software must wait for MMC_I_REG[PRG_DONE] interrupt. This ensures that the card is not in the busy state.

15.4.11 Stream Read

In a stream read command, the software must stop the clock and set the registers as described in [Section 15.4.4](#). These registers must be set before the clock is turned on:

- Set MMC_NOB register to ffffh.

- Set MMC_BLKLEN register to the number of bytes per block.
- Update the MMC_CMDAT register as:
 - Write 0x01 to the MMC_CMDAT[RESPONSE_FORMAT].
 - Set the MMC_CMDAT[DATA_EN] bit.
 - Clear the MMC_CMDAT[WRITE/READ] bit.
 - Set the MMC_CMDAT[STREAM_BLOCK] bit.
 - Clear the MMC_CMDAT[BUSY] bit.
 - Clear the MMC_CMDAT[INIT] bit.
- Turn the clock on.

After it turns the clock on, the software must perform these steps:

1. Wait for the response as described in [Section 15.4.4](#).
2. Read data from the MMC_RXFIFO FIFO and continue until all of the data has been read from the FIFO.
3. Set the command registers for a stop transaction command (CMD12). If the DMA is being used, the last descriptor must set the DMA to send an interrupt to signal that all the data has been read.
4. Wait for a response to the stop transaction command as described in [Section 15.4.4](#).
5. Set MMC_I_MASK to 0x1e.
6. Wait for MMC_I_REG[DATA_TRAN_DONE] interrupt.
7. Read the MMC_STAT register to verify the status of the transaction (i.e. CRC error status).

15.5 MMC Controller Registers

The MMC controller is controlled by a set of registers that software configures before every command sequence on the MMC bus.

[Table 15-5](#) through [Table 15-23](#) describe the registers and FIFOs.

15.5.1 MMC_STRPCL Register

The MMC_STRPCL, shown in [Table 15-5](#), allows the software to start and stop the MMC bus clock. Reads from this register are unpredictable.

This is a write-only register. Write zeros to reserved bits.

Table 15-5. MMC_STRPCL Bit Definitions

	Physical Address 0x4110_0000	MMC_STRPCL Register	MultiMediaCard Controller
Bit	31 30 29 28 27 26 25 24 23 22 21 20 19 18 17 16 15 14 13 12 11 10 9 8 7 6 5 4 3 2 1 0	reserved	
Reset	0 0	STRPCL	
	Bits	Name	Description
	31:2	—	reserved
	1:0	strpcl	Start/Stop the MMC Clock 00 – Do nothing 01 – Stop the MMC clock 10 – Start the MMC clock 11 – reserved

15.5.2 MMC_Status Register (MMC_STAT)

MMC_STAT, shown in Table 15-6, is the status register for the MMC controller. The register is cleared at the beginning of every command sequence.

This is a read/write register. Ignore reads from reserved bits. Write zeros to reserved bits.

Table 15-6. MMC_STAT Bit Definitions (Sheet 1 of 2)

	Physical Address 0x4110_0004	MMC_STAT Register	MultiMediaCard Controller
Bit	31 30 29 28 27 26 25 24 23 22 21 20 19 18 17 16 15 14 13 12 11 10 9 8 7 6 5 4 3 2 1 0	reserved	
Reset	0 1 0 0 0 0 0 0	END_CMD_RES	PRG_DONE
		DATA_TRAN_DONE	reserved
		CLK_EN	RECVD_FIFO_FULL
		XMIT_FIFO_EMPTY	RES_CRC_ERR
		SPI_READ_ERROR_TOKEN	CRC_READ_ERROR
		CRC_WRITE_ERROR	TIME_OUT_RESPONSE
		READ_TIME_OUT	
	Bits	Name	Description
	31:14	—	reserved
	13	END_CMD_RES	End Command Response 0 – Command and response sequence has not completed 1 – Command and response sequence has completed
	12	PRG_DONE	Program Done 0 – Card has not finished programming and is busy 1 – Card has finished programming and is not busy
	11	DATA_TRAN_DONE	Data Transmission Done 0 – Data transmission to card has not completed 1 – Data transmission to card has completed
	10:9	—	reserved

Table 15-6. MMC_STAT Bit Definitions (Sheet 2 of 2)

Physical Address 0x4110_0004		MMC_STAT Register	MultiMediaCard Controller																							
Bit	31 30 29 28 27 26 25 24 23 22 21 20 19 18 17 16 15 14	13 12 11 10 9 8 7 6 5 4 3 2 1 0																								
	reserved													END_CMD_RES	PRG_DONE	DATA_TRAN_DONE	reserved	CLK_EN	RECV_FIFO_FULL	XMIT_FIFO_EMPTY	RES_CRC_ERR	SPI_READ_ERROR_TOKEN	CRC_READ_ERROR	CRC_WRITE_ERROR	TIME_OUT_RESPONSE	READ_TIME_OUT
Reset	0 0 0 0 0 0 0 0 0 0 0 0 0 0 0 0 0 0	0 0 0 0 0 0 0 0 0 0 0 0 0 0 0 0 0 0	0 0 0 0 0 0 0 0 0 0 0 0 0 0 0 0 0 0 1 0 0 0 0 0 0																							
Bits	Name	Description																								
8	CLK_EN	Clock Enabled 0 – MMC clock is off 1 – MMC clock is on																								
7	RECV_FIFO_FULL	Receive FIFO Full 0 – Receive FIFO is not full 1 – Receive FIFO is full																								
6	XMIT_FIFO_EMPTY	Transmit FIFO Empty 0 – Transmit FIFO is not empty 1 – Transmit FIFO is empty																								
5	RES_CRC_ERR	Response CRC Error 0 – No error on the response CRC 1 – CRC error occurred on the response																								
4	SPI_READ_ERROR_TOKEN	SPI Read Error Token 0 – SPI data error token has not been received 1 – SPI data error token has been received																								
3	CRC_READ_ERROR	CRC Read Error 0 – No error on received data 1 – CRC error occurred on received data																								
2	CRC_WRITE_ERROR	CRC Write Error 0 – No error on transmission of data 1 – Card observed erroneous transmission of data																								
1	TIME_OUT_RESPONSE	Time Out Response 0 – Card response has not timed out 1 – Card response timed out																								
0	READ_TIME_OUT	Read Time Out 0 – Card read data has not timed out 1 – Card read data timed out																								

15.5.3 MMC_CLKRT Register (MMC_CLKRT)

MMC_CLKRT, shown in Table 15-7, specifies the frequency division of the MMC bus clock. The software is responsible for setting this register.

The software can only write this register after the clock is turned off and the software has received an interrupt that indicates the clock is turned off.

This is a read/write register. Ignore reads from reserved bits. Write zeros to reserved bits.

Table 15-7. MMC_CLK Bit Definitions

	Physical Address 0x4110_0008	MMC_CLKRT Register	MultiMediaCard Controller
Bit	31 30 29 28 27 26 25 24 23 22 21 20 19 18 17 16 15 14 13 12 11 10 9 8 7 6 5 4 3 2 1 0		
	reserved		CLK_RATE[2:0]
Reset	0 0		
Bits	Name	Description	
31:3	—	reserved	
2:0	CLK_RATE[2:0]	000 – 20 MHz clock 001 – 10 MHz clock, 1/2 of 20 MHz clock 010 – 5 MHz clock, 1/4 of 20 MHz clock 011 – 2.5 MHz clock, 1/8 of 20MHz clock 100 – 1.25MHz clock, 1/16 of 20 MHz clock 101 – 0.625 MHz clock, 1/32 of 20 MHz clock 110 – 0.3125 MHz clock, 1/64 of 20 MHz clock 111 – reserved	

15.5.4 MMC_SPI Register (MMC_SPI)

MMC_SPI, shown in Table 15-8, is for SPI mode only and is set by the software.

This is a read/write register. Ignore reads from reserved bits. Write zeros to reserved bits.

Table 15-8. MMC_SPI Bit Definitions (Sheet 1 of 2)

	Physical Address 0x4110_000c	MMC_SPI Register	MultiMediaCard Controller
Bit	31 30 29 28 27 26 25 24 23 22 21 20 19 18 17 16 15 14 13 12 11 10 9 8 7 6 5 4 3 2 1 0		
	reserved		SPI_CS_ADDRESS SPI_CS_EN CRC_ON SPI_EN
Reset	0 0		
Bits	Name	Description	
31:4	—	reserved	
3	SPI_CS_ADDRESS	Specifies the relative address of the card to activate the SPI CS 0 – Enables CS1 1 – Enables CS0	
2	SPI_CS_EN	SPI Chip Select Enable 0 – Disables the SPI chip select 1 – Enables the SPI chip select	
1	CRC_ON	CRC Generation Enable 0 – Disables CRC generation and verification 1 – Enables CRC generation and verification	

Table 15-8. MMC_SPI Bit Definitions (Sheet 2 of 2)

Physical Address 0x4110_000c		MMC_SPI Register	MultiMediaCard Controller
Bit	31 30 29 28 27 26 25 24 23 22 21 20 19 18 17 16 15 14 13 12 11 10 9 8 7 6 5 4 3 2 1 0	reserved	
Reset	0 0	<div style="display: flex; justify-content: space-between;"> <div style="writing-mode: vertical-rl; transform: rotate(180deg);">SPI_CS_ADDRESS</div> <div style="writing-mode: vertical-rl; transform: rotate(180deg);">SPI_CS_EN</div> <div style="writing-mode: vertical-rl; transform: rotate(180deg);">CRC_ON</div> <div style="writing-mode: vertical-rl; transform: rotate(180deg);">SPI_EN</div> </div>	
Bits	Name	Description	
0	SPI_EN	SPI Mode Enable 0 – Disables SPI mode 1 – Enables SPI mode	

15.5.5 MMC_CMDAT Register (MMC_CMDAT)

MMC_CMDAT, shown in Table 15-9, controls the command sequence. Writing to this register starts the command sequence on the MMC bus when the MMC bus clock is turned on.

This is a read/write register. Ignore reads from reserved bits. Write zeros to reserved bits.

Table 15-9. MMC_CMDAT Bit Definitions (Sheet 1 of 2)

Physical Address 0x4110_0010		MMC_CMDAT Register	MultiMediaCard Controller
Bit	31 30 29 28 27 26 25 24 23 22 21 20 19 18 17 16 15 14 13 12 11 10 9 8 7 6 5 4 3 2 1 0	reserved	
Reset	0 1 0 0 0 0 0 0 0 0	<div style="display: flex; justify-content: space-between;"> <div style="writing-mode: vertical-rl; transform: rotate(180deg);">MMC_DMA_EN</div> <div style="writing-mode: vertical-rl; transform: rotate(180deg);">INIT</div> <div style="writing-mode: vertical-rl; transform: rotate(180deg);">BUSY</div> <div style="writing-mode: vertical-rl; transform: rotate(180deg);">STREAM_BLOCK</div> <div style="writing-mode: vertical-rl; transform: rotate(180deg);">WRITE/READ</div> <div style="writing-mode: vertical-rl; transform: rotate(180deg);">DATA_EN</div> <div style="writing-mode: vertical-rl; transform: rotate(180deg);">RESPONSE_FORMAT[1:0]</div> </div>	
Bits	Name	Description	
31:8	—	reserved	
7	MMC_DMA_EN	DMA Mode Enable 0 – Program I/O mode 1 – DMA mode When DMA mode is used, this bit is a mask on RXFIFO_RD_REQ and TXFIFO_WR_REQ interrupts.	
6	INIT	80 Initialization Clocks 0 – Do not precede command sequence with 80 clocks 1 – Precede command sequence with 80 clocks	
5	BUSY	Specifies whether a busy signal is expected after the current command. This bit is for no data command/response transactions only.	

Table 15-9. MMC_CMDAT Bit Definitions (Sheet 2 of 2)

Physical Address 0x4110_0010		MMC_CMDAT Register	MultiMediaCard Controller
Bit	31 30 29 28 27 26 25 24 23 22 21 20 19 18 17 16 15 14 13 12 11 10 9 8 7 6 5 4 3 2 1 0		
		reserved	MMC_DMA_EN INIT BUSY STREAM_BLOCK WRITE/READ DATA_EN RESPONSE_FORMAT[1:0]
Reset	0 1 0 0 0 0 0 0 0		
Bits	Name	Description	
4	STREAM_BLOCK	Stream Mode 0 – Data transfer of the current command sequence is not in stream mode 1 – Data transfer of the current command sequence is in stream mode	
3	WRITE/READ	Read or Write Operation 0 – Specifies that the data transfer of the current command is a read operation 1 – Specifies that the data transfer of the current command is a write operation	
2	DATA_EN	Data Transfer Enable 0 – No data transfer with current command 1 – Specifies that the current command includes a data transfer	
1:0	RESPONSE_FORMAT[1:0]	These bits specify the response format for the current command. 00 – No response in MMC mode. Not supported in SPI mode 01 – Format R1, R1b, R4, and R5 in MMC mode. Format R1 and R1b in SPI mode 10 – Format R2 in MMC mode. Format R2 in SPI mode 11 – Format R3 in MMC mode. Format R3 in SPI mode	

15.5.6 MMC_RESTO Register (MMC_RESTO)

The MMC_RESTO, shown in Table 15-10, controls the number of MMC clocks that the controller must wait after the command before it can turn on the time-out error if a response has not occurred. The default value of this register is 64.

This is a read/write register. Ignore reads from reserved bits. Write zeros to reserved bits.

Table 15-10. MMC_RESTO Bit Definitions

Physical Address 0x4110_0014		MMC_RESTO Register	MultiMediaCard Controller
Bit	31 30 29 28 27 26 25 24 23 22 21 20 19 18 17 16 15 14 13 12 11 10 9 8 7 6 5 4 3 2 1 0		
		reserved	RES_TO
Reset	0 1 0 0 0 0 0 0 0		
Bits	Name	Description	
31:7	—	reserved	
6:0	RES_TO	Number of MMC clocks before a response time-out	

15.5.7 MMC_RDTO Register (MMC_RDTO)

MMC_RDTO, shown in Table 15-11, determines the length of time that the controller waits after a command before it turns on the time-out error if data has not been received. The length of time before a time-out occurs is measured in increments of 256 20 MHz periods and can be calculated as follows:

$$\text{Time-out Delay} = \frac{(\text{MMC_RDTO}[\text{READ_TO}] \times (256))}{20\text{MHz}} = \frac{(\text{MMC_RDTO}[\text{READ_TO}] \times (128))}{10^7} \text{sec}$$

It is the software's responsibility to calculate the value for READ_TO. The default value is 0xffff, which corresponds to 838.848 ms.

This is a read/write register. Ignore reads from reserved bits. Write zeros to reserved bits.

Table 15-11. MMC_RDTO Register

	Physical Address 0x4110_0018	MMC_RDTO Register	MultiMediaCard Controller	
Bit	31 30 29 28 27 26 25 24 23 22 21 20 19 18 17 16	15 14 13 12 11 10 9 8 7 6 5 4 3 2 1 0		
	reserved			
Reset	0 0 0 0 0 0 0 0 0 0 0 0 0 0 0 0	1 1 1 1 1 1 1 1 1 1 1 1 1 1 1		
	Bits	Name	Description	
	31:16	—	reserved	
	15:0	READ_TO	Specifies the length of time before a data read time-out	

15.5.8 MMC_BLKLEN Register (MMC_BLKLEN)

MMC_BLKLEN, shown in Table 15-12, specifies the number of bytes in a block of data.

This is a read/write register. Ignore reads from reserved bits. Write zeros to reserved bits.

Table 15-12. MMC_BLKLEN Bit Definitions

	Physical Address 0x4110_001c																MMC_BLKLEN Register																MultiMediaCard Controller															
Bit	31	30	29	28	27	26	25	24	23	22	21	20	19	18	17	16	15	14	13	12	11	10	9	8	7	6	5	4	3	2	1	0																
	reserved																BLK_LEN																															
Reset	0	0	0	0	0	0	0	0	0	0	0	0	0	0	0	0	0	0	0	0	0	0	0	0	0	0	0	0	0	0	0	0	0	0														
	Bits		Name		Description																																											
	31:10		—		reserved																																											
	9:0		BLK_LEN		Number of bytes in the block.																																											

15.5.9 MMC_NOB Register (MMC_NOB)

In block mode, MMC_NOB, shown in Table 15-13, specifies the number of blocks.

This is a read/write register. Ignore reads from reserved bits. Write zeros to reserved bits.

Table 15-13. MMC_NOB Bit Definitions

	Physical Address 0x4110_0020																MMC_NOB Register																MultiMediaCard Controller															
Bit	31	30	29	28	27	26	25	24	23	22	21	20	19	18	17	16	15	14	13	12	11	10	9	8	7	6	5	4	3	2	1	0																
	reserved																MMC_NOB																															
Reset	0	0	0	0	0	0	0	0	0	0	0	0	0	0	0	0	0	0	0	0	0	0	0	0	0	0	0	0	0	0	0	0	0	0														
	Bits		Name		Description																																											
	31:16		—		reserved																																											
	15:0		MMC_NOB		Number of blocks for a multiple block transfer																																											

15.5.10 MMC_PRTBUF Register (MMC_PRTBUF)

MMC_PRTBUF, shown in Table 15-14, is used when MMC_TXFIFO is partially written. The FIFOs swap when either FIFO is full (32 bytes) or the MMC_PRTBUF register is set to a 1.

This is a read/write register. Ignore reads from reserved bits. Write zeros to reserved bits.

Table 15-14. MMC_PRTBUF Bit Definitions

	Physical Address 0x4110_0024	MMC_PRTBUF Register	MultiMediaCard Controller
Bit	31 30 29 28 27 26 25 24 23 22 21 20 19 18 17 16 15 14 13 12 11 10 9 8 7 6 5 4 3 2 1 0	reserved	
Reset	0 0		
			BUF_PART_FULL
Bits	Name	Description	
31:1	—	reserved	
0	BUF_PART_FULL	Buffer Partially Full 0 – Buffer is not partially full. 1 – Buffer is partially full and must be swapped to the other transmit buffer Software must clear this bit before sending the next command.	

15.5.11 MMC_I_MASK Register (MMC_I_MASK)

MMC_I_MASK, shown in Table 15-15, masks off the various interrupts when set to a 1.

This is a read/write register. Ignore reads from reserved bits. Write zeros to reserved bits.

Table 15-15. MMC_I_MASK Bit Definitions (Sheet 1 of 2)

	Physical Address 0x4110_0028	MMC_I_MASK Register	MultiMediaCard Controller
Bit	31 30 29 28 27 26 25 24 23 22 21 20 19 18 17 16 15 14 13 12 11 10 9 8 7 6 5 4 3 2 1 0	reserved	
Reset	0 0		TXFIFO_WR_REQ RXFIFO_RD_REQ CLK_IS_OFF STOP_CMD END_CMD_RES PRG_DONE DATA_TRAN_DONE
Bits	Name	Description	
31:7	—	reserved	
6	TXFIFO_WR_REQ	Transmit FIFO Write Request 0 – Not masked 1 – Masked	

Table 15-15. MMC_I_MASK Bit Definitions (Sheet 2 of 2)

Physical Address 0x4110_0028		MMC_I_MASK Register	MultiMediaCard Controller
Bit	31 30 29 28 27 26 25 24 23 22 21 20 19 18 17 16 15 14 13 12 11 10 9 8 7 6 5 4 3 2 1 0		
		reserved	TXFIFO_WR_REQ RXFIFO_RD_REQ CLK_IS_OFF STOP_CMD END_CMD_RES PRG_DONE DATA_TRAN_DONE
Reset	0 0		1 1 1 1 1 1 1 1
Bits	Name	Description	
5	RXFIFO_RD_REQ	Receive FIFO Read Request 0 – Not masked 1 – Masked	
4	CLK_IS_OFF	Clock Is Off 0 – Not masked 1 – Masked	
3	STOP_CMD	Ready for Stop Transaction Command 0 – Not masked 1 – Masked	
2	END_CMD_RES	End Command Response 0 – Not masked 1 – Masked	
1	PRG_DONE	Programming Done 0 – Not masked 1 – Masked	
0	DATA_TRAN_DONE	Data Transfer Done 0 – Not masked 1 – Masked	

15.5.12 MMC_I_REG Register (MMC_I_REG)

MMC_I_REG, shown in Table 15-16, shows the currently requested interrupt. The FIFO request interrupts, TXFIFO_WR_REQ, and RXFIFO_RD_REQ are masked off with the MMC_DMA_EN bit in the MMC_CMDAT register. The software is responsible for monitoring these bits in program I/O mode.

This is a read/write register. Ignore reads from reserved bits. Write zeros to reserved bits.

Table 15-16. MMC_I_REG Bit Definitions

	Physical Address 0x4110_002c		MMC_I_REG Register																MultiMediaCard Controller														
Bit	31	30	29	28	27	26	25	24	23	22	21	20	19	18	17	16	15	14	13	12	11	10	9	8	7	6	5	4	3	2	1	0	
	reserved																										TXFIFO_WR_REQ	RXFIFO_RD_REQ	CLK_IS_OFF	STOP_CMD	END_CMD_RES	PRG_DONE	DATA_TRAN_DONE
Reset	0	0	0	0	0	0	0	0	0	0	0	0	0	0	0	0	0	0	0	0	0	0	0	0	0	0	0	0	0	0	0	0	
Bits	Name		Description																														
31:5	—		reserved																														
6	TXFIFO_WR_REQ		Transmit FIFO Write Request 0 – No Request for data write to MMC_TXFIFO FIFO 1 – Request for data write to MMC_TXFIFO FIFO Cleared after each write but immediately set again unless there are no entries left in the FIFO.																														
5	RXFIFO_RD_REQ		Receive FIFO Read Request 0 – No Request for data read from MMC_RXFIFO FIFO 1 – Request for data read from MMC_RXFIFO FIFO Cleared after each read but immediately set again unless the FIFO is empty.																														
4	CLK_IS_OFF		Clock Is Off 0 – MMC clock has not been turned off 1 – MMC clock has been turned off, due to stop bit in STRP_CLK register Cleared by the MMC_STAT[CLK_EN] bit when the clock is started.																														
3	STOP_CMD		For stream mode writes. 0 – MMC is not ready for the stop transmission command 1 – MMC is ready for the stop transmission command Cleared when CMD12 is loaded in the MMC_CMD register and the clock is started.																														
2	END_CMD_RES		End Command Response 0 – MMC has not received the response 1 – MMC has received the response or a response time-out has occurred Cleared by the MMC_STAT[END_CMD_RES] bit.																														
1	PRG_DONE		Programming Done 0 – Card has not finished programming and is busy 1 – Card has finished programming and is no longer busy Cleared by the MMC_STAT[PRG_DONE] bit.																														
0	DATA_TRAN_DONE		Data Transfer Done 0 – Data transfer is not complete 1 – Data transfer has completed or a read data time-out has occurred Cleared by the MMC_STAT[DATA_TRAN_DONE] bit.																														

15.5.13 MMC_CMD Register (MMC_CMD)

MMC_CMD, shown in Table 15-17, specifies the command number.

This is a read/write register. Ignore reads from reserved bits. Write zeros to reserved bits.

Table 15-17. MMC_CMD Register

	Physical Address 0x4110_0030	MMC_CMD Register	MultiMediaCard Controller
Bit	31 30 29 28 27 26 25 24 23 22 21 20 19 18 17 16 15 14 13 12 11 10 9 8 7 6 5 4 3 2 1 0		
		reserved	reserved reserved CMD_INDEX
Reset	0 1 0 0 0 0 0 0		
	Bits	Name	Description
	31:8	—	reserved
	7	—	reserved Start bit for command sequence and cannot be changed.
	6	—	reserved Transmission bit in command sequence and cannot be changed.
	5:0	CMD_INDEX	Command index (see Table 15-18)

Table 15-18. Command Index Values (Sheet 1 of 3)

CMD INDEX	COMMAND	MODE	ABBREVIATION
000000	CMD0	MMC/SPI	GO_IDLE_STATE
000001	CMD1	MMC/SPI	SEND_OP_COND
000010	CMD2	MMC	ALL_SEND_CID
000011	CMD3	MMC	SET_RELATIVE_ADDR
000100	CMD4	MMC	SET_DSR
000101	CMD5	reserved	
000110	CMD6	reserved	
000111	CMD7	MMC	SELECT/DESELECT_CARD
001000	CMD8	reserved	
001001	CMD9	MMC/SPI	SEND_CSD
001010	CMD10	MMC/SPI	SEND_CID
001011	CMD11	MMC	READ_DAT_UNTIL_STOP
001100	CMD12	MMC	STOP_TRANSMISSION
001101	CMD13	MMC/SPI	SEND_STATUS
001110	CMD14	reserved	
001111	CMD15	MMC	GO_INACTIVE_STATE
010000	CMD16	MMC/SPI	SET_BLOCKLEN
010001	CMD17	MMC/SPI	READ_SINGLE_BLOCK
010010	CMD18	MMC	READ_MULTIPLE_BLOCK
010011	CMD19	reserved	

Table 15-18. Command Index Values (Sheet 2 of 3)

CMD INDEX	COMMAND	MODE	ABBREVIATION
010100	CMD20	MMC	WRITE_DAT_UNTIL_STOP
010101	CMD21	reserved	
010110	CMD22	reserved	
010111	CMD23	reserved	
011000	CMD24	MMC/SPI	WRITE_BLOCK
011001	CMD25	MMC	WRITE_MULTIPLE_BLOCK
011010	CMD26	MMC	PROGRAM_CID
011011	CMD27	MMC/SPI	PROGRAM_CSD
011100	CMD28	MMC/SPI	SET_WRITE_PROT
011101	CMD29	MMC/SPI	CLR_WRITE_PROT
011110	CMD30	MMC/SPI	SEND_WRITE_PROT
011111	CMD31	reserved	
100000	CMD32	MMC/SPI	TAG_SECTOR_START
100001	CMD33	MMC/SPI	TAG_SECTOR_END
100010	CMD34	MMC/SPI	UNTAG_SECTOR
100011	CMD35	MMC/SPI	TAG_ERASE_GROUP_START
100100	CMD36	MMC/SPI	TAG_ERASE_GROUP_END
100101	CMD37	MMC/SPI	UNTAG_ERASE_GROUP
100110	CMD38	MMC/SPI	ERASE
100111	CMD39	MMC	FAST_IO
101000	CMD40	MMC	GO_IRQ_STATE
101001	CMD41	reserved	
101010	CMD42	MMC/SPI	LOCK_UNLOCK
101011	CMD43	reserved	
101100	CMD44	reserved	
101101	CMD45	reserved	
101110	CMD46	reserved	
101111	CMD47	reserved	
110000	CMD48	reserved	
110001	CMD49	reserved	
110010	CMD50	reserved	
110011	CMD51	reserved	
110100	CMD52	reserved	
110101	CMD53	reserved	
110110	CMD54	reserved	
110111	CMD55	MMC/SPI	APP_CMD
111000	CMD56	MMC/SPI	GEN_CMD

Table 15-18. Command Index Values (Sheet 3 of 3)

CMD INDEX	COMMAND	MODE	ABBREVIATION
111001	CMD57	reserved	
111010	CMD58	SPI	READ_OCR
111011	CMD59	SPI	CRC_ON_OFF
111100	CMD60	MMC	reserved for manufacturer
111101	CMD61	MMC	reserved for manufacturer
111110	CMD62	MMC	reserved for manufacturer
111111	CMD63	MMC	reserved for manufacturer

15.5.14 MMC_ARGH Register (MMC_ARGH)

MMC_ARGH, shown in Table 15-19, specifies the upper 16 bits of the argument for the current command.

This is a read/write register. Ignore reads from reserved bits. Write zeros to reserved bits.

Table 15-19. MMC_ARGH Bit Definitions

	Physical Address 0x4110_0034	MMC_ARGH Register	MultiMediaCard Controller			
Bit	31 30 29 28 27 26 25 24 23 22 21 20 19 18 17 16	15 14 13 12 11 10 9 8 7 6 5 4 3 2 1 0				
	reserved					
Reset	0 0					
	Bits		Name		Description	
	31:16		—		reserved	
	15:0		ARG_H		Upper 16 bits of command argument	

15.5.15 MMC_ARGL Register (MMC_ARGL)

MMC_ARGL, shown in Table 15-20, specifies the lower 16 bits of the argument in the current command.

This is a read/write register. Ignore reads from reserved bits. Write zeros to reserved bits.

Table 15-20. MMC_ARGL Bit Definitions

	Physical Address 0x4110_0038	MMC_ARGL Register	MultiMediaCard Controller			
Bit	31 30 29 28 27 26 25 24 23 22 21 20 19 18 17 16	15 14 13 12 11 10 9 8 7 6 5 4 3 2 1 0				
	reserved					
Reset	0 0					
	Bits		Name		Description	
	31:16		—		reserved	
	15:0		ARG_L		Lower 16 bits of command argument	

15.5.16 MMC_RES FIFO

MMC_RES FIFO, shown in Table 15-21, contains the response after a command. It is 16 bits wide by eight entries. The RES FIFO does not contain the 7-bit CRC for the response. The status for CRC checking and response time-out status is in the status register, MMC_STAT.

The first half-word read from the response FIFO is the most significant half-word of the received response.

This is a read-only register. Ignore reads from reserved bits.

Table 15-21. MMC_RES, FIFO Entry

	Physical Address 0x4110_003c																MMC_RES FIFO Entry																MultiMediaCard Controller															
Bit	31	30	29	28	27	26	25	24	23	22	21	20	19	18	17	16	15	14	13	12	11	10	9	8	7	6	5	4	3	2	1	0																
	reserved																RESPONSE_DATA																															
Reset	0	0	0	0	0	0	0	0	0	0	0	0	0	0	0	0	x	x	x	x	x	x	x	x	x	x	x	x	x	x	x	x																
	Bits		Name		Description																																											
	31:16		—		reserved																																											
	15:0		RESPONSE_DATA		Two bytes of response data																																											

15.5.17 MMC_RXFIFO FIFO

MMC_RXFIFO, shown in Table 15-22, consists of two dual FIFOs, where each FIFO is eight bits wide by 32 entries deep. This FIFO holds the data read from a card. It is a read only FIFO to the software, and is read on 8-bit boundaries. The eight bits of data are read on a 32-bit boundary and occupying the least significant byte lane (7:0).

This is a read-only register. Ignore reads from reserved bits.

Table 15-22. MMC_RXFIFO, FIFO Entry

	Physical Address 0x4110_0040																MMC_RXFIFO Entry																MultiMediaCard Controller															
Bit	31	30	29	28	27	26	25	24	23	22	21	20	19	18	17	16	15	14	13	12	11	10	9	8	7	6	5	4	3	2	1	0																
	reserved																READ_DATA																															
Reset	0	0	0	0	0	0	0	0	0	0	0	0	0	0	0	0	0	0	0	0	0	0	0	0	0	0	0	0	0	0	0	0	x	x	x	x	x	x	x	x	x	x	x	x	x	x	x	x
	Bits		Name		Description																																											
	31:8		—		reserved																																											
	7:0		READ_DATA		One byte of read data																																											

15.5.18 MMC_TXFIFO FIFO

MMC_TXFIFO, shown in Table 15-23, consists of two dual FIFOs, where each FIFO is eight bits wide by 32 entries deep. This FIFO holds the data to be written to a card. It is a write only FIFO to the software, and is written on boundaries eight bits wide. The eight bits of data are written on a 32-bit APB and occupy the least significant byte lane (7:0).

This is a read/write register. Ignore reads from reserved bits. Write zeros to reserved bits.

Table 15-23. MMC_TXFIFO, FIFO Entry

	Physical Address 0x4110_0044																MMC_TXFIFO Entry								MultiMediaCard Controller											
Bit	31	30	29	28	27	26	25	24	23	22	21	20	19	18	17	16	15	14	13	12	11	10	9	8	7	6	5	4	3	2	1	0				
	reserved																WRITE_DATA																			
Reset	0	0	0	0	0	0	0	0	0	0	0	0	0	0	0	0	0	0	0	0	0	0	0	0	0	x	x	x	x	x	x	x	x			
	Bits		Name		Description																															
	31:16		—		reserved																															
	7:0		WRITE_DATA		One byte of write data																															

15.6 MultiMediaCard Controller Register Summary

Table 15-24 lists the address, name, and description of the MMC Controller Registers.

Table 15-24. MMC Controller Registers (Sheet 1 of 2)

Address	Name	Description
0x4110_0000	MMC_STRPCL	Control to start and stop MMC clock
0x4110_0004	MMC_STAT	MMC status register (read only)
0x4110_0008	MMC_CLKRT	MMC clock rate
0x4110_000c	MMC_SPI	SPI mode control bits
0x4110_0010	MMC_CMDAT	Command/response/data sequence control
0x4110_0014	MMC_RESTO	Expected response time out
0x4110_0018	MMC_RDTO	Expected data read time out
0x4110_001c	MMC_BLKLEN	Block length of data transaction
0x4110_0020	MMC_NOB	Number of blocks, for block mode
0x4110_0024	MMC_PRTBUF	Partial MMC_TXFIFO FIFO written
0x4110_0028	MMC_I_MASK	Interrupt Mask
0x4110_002c	MMC_I_REG	Interrupt Register (read only)
0x4110_0030	MMC_CMD	Index of current command
0x4110_0034	MMC_ARGH	MSW part of the current command argument
0x4110_0038	MMC_ARGL	LSW part of the current command argument

Table 15-24. MMC Controller Registers (Sheet 2 of 2)

Address	Name	Description
0x4110_003c	MMC_RES	Response FIFO (read only)
0x4110_0040	MMC_RXFIFO	Receive FIFO (read only)
0x4110_0044	MMC_TXFIFO	Transmit FIFO (write only)

This chapter describes the signal definitions and operation of the Intel® PXA255 Processor Network Synchronous Serial Protocol (NSSP) serial port.

The NSSP is configured differently than the SSPC.

16.1 Overview

The NSSP is a synchronous serial interface that connects to a variety of external analog-to-digital (A/D) converters, telecommunication CODECs, and many other devices that use serial protocols for data transfer. The NSSP provides support for the following protocols:

- Texas Instruments (TI) Synchronous Serial Protocol*
- Motorola Serial Peripheral Interface* (SPI) protocol
- National Semiconductor Microwire*
- Programmable Serial Protocol (PSP)

The NSSP operates as full-duplex devices for the TI Synchronous Serial Protocol*, SPI*, and PSP protocols and as half-duplex devices for the Microwire* protocol.

The FIFOs can be loaded or emptied by the CPU using programmed I/O or DMA burst transfers.

16.2 Features

- Supports the TI Synchronous Serial Protocol*, the Motorola SPI* protocol, National Semiconductor Microwire*, and a Programmable Serial Protocol (PSP)
- Two independent transmit and receive FIFOs, each 16 samples deep by 32-bits wide
- Sample sizes from four to 32-bits
- Maximum bit rate of 13 Mbps in slave of clock mode, requires using DMA
- Master-mode and slave-mode operation
- Receive-without-transmit operation

16.3 Signal Description

Table 16-1 lists the external signals between the SSP serial ports and external device. If the port is disabled, its pins are available for GPIO use. See Section 4.1, “General-Purpose I/O” for details on configuring pin direction and Section 4.2, “Interrupt Controller” for Interrupt capabilities.

Table 16-1. SSP Serial Port I/O Signals

Name	Direction	Description
NSSPCLK	Input/Output	NSSPCLK is the serial bit clock used to control the timing of a transfer. NSSPCLK is generated internally (master mode) or is supplied externally (slave mode) as indicated by SSCR1[SCLKDIR] as defined in Table 16-4.
NSSPSFRM	Input/Output	NSSPSFRM is the serial frame indicator that indicates the beginning and the end of a serialized data word. SSSPSFRM is generated internally (master mode) or is supplied externally (slave mode) as indicated by SSCR1[SFRMDIR] as defined in Table 16-4.
NSSPTXD	Output	NSSPTXD is the transmit data (serial data out) serialized data line. It is available on two GPIO pins, GPIO[83] or GPIO[84]. See Section 4.1, “General-Purpose I/O” for details.
NSSPRXD	Input	NSSPRXD is the receive data (serial data in) serialized data line. It is available on two GPIO pins, GPIO[83] or GPIO[84]. See Section 4.1, “General-Purpose I/O” for details.

The Network SSP can output either NSSPTXD and NSSPRXD on either GPIO[83] or GPIO[84]. This allows a system to dynamically change the direction of transfer for this port. The NSSP can change direction if enabled, but it must be idle.

16.4 Operation

The SSP controller transfers serial data between the PXA255 processor and an external device through FIFOs. The PXA255 processor CPU initiates the transfers using programmed I/O or DMA bursts to and from memory. Separate transmit and receive FIFOs and serial data paths permit simultaneous transfers in both directions to and from the external device, depending on the protocols chosen.

Programmed I/O transfers data directly between the CPU and the SSP Data Register (SSDR). DMA transfers data between memory and the SSP Data Register (SSDR). Data written to the SSP Data Register (by either the CPU or DMA) is automatically transmitted by the transmit FIFO. Data received by the receive FIFO is automatically sent to the SSP Data Register.

16.4.1 Processor and DMA FIFO Access

The CPU or DMA accesses data through the SSP transmit and receive FIFOs. A CPU access takes the form of programmed I/O, transferring one FIFO entry per access. The FIFO are seen as one 32-bit location by the processor. CPU accesses are normally triggered by an SSSR interrupt and are always 32-bits wide. CPU writes to the FIFOs ignore bits beyond the programmed FIFO data size (EDSS/DSS value); and CPU reads return zeroes in the MSBs down to the programmed data size.

The FIFOs can also be accessed by DMA bursts (in multiples of one, two or four bytes) depending upon the EDSS value. When SSCR0[EDSS] is set, DMA bursts must be in multiples of four bytes (the DMA must have the SSP configured as a 32-bit peripheral). When SSCR0[EDSS] is cleared, DMA bursts must be in multiples of one or two bytes (the DMA's DCMD[WIDTH] register must be at least the SSP data size programmed into the SSCR0[EDSS] and SSCR0[DSS]). If the DMA DCMD[WIDTH] field is configured for 1 byte width, the DMA burst size must be 8 or 16.

For writes, the SSP takes the data from the transmit FIFO, serializes it, and sends it over the serial wire (SSPTXD) to the external device. Receive data from the external device (on SSPRXD) is converted to parallel words and stored in the receive FIFO.

When exceeded, a programmable trigger threshold generates an interrupt or DMA service request that, if SSCR1[TIE] or SSCR1[TSRE] are enabled, signal the CPU or DMA, respectively, to refill the transmit FIFO. Similarly, a programmable trigger threshold generates an interrupt or DMA service request that, if SSCR1[RIE] or SSCR1[RSRE] are enabled, signal the CPU or DMA, respectively, to empty the receive FIFO.

The receive and transmit FIFOs are differentiated by whether the access is a read or a write transfer. Reads automatically target the receive FIFO, while writes write data to the transmit FIFO. From a memory-map perspective, both reads and writes are at the same address. The FIFOs are 16 samples deep by one word wide.

16.4.2 Trailing Bytes in the Receive FIFO

When the number of samples in the receive FIFO is less than the trigger threshold and no additional data is received, the remaining bytes are called trailing bytes. Trailing bytes must be handled by the processor. Trailing bytes are identified via a time-out mechanism and the existence of data within the receive FIFO.

16.4.2.1 Time-out

A time-out condition exists when the receive FIFO is idle for the period of time defined by the Time-Out Register (SSTO). When a time-out occurs, the receiver time-out interrupt (SSSR[TINT]) is set. If the time-out interrupt is enabled (SSCR1[TINTE] set) a time-out interrupt occurs to signal the processor that a time-out condition has occurred. The time-out timer is reset after receiving a new sample or after the processor reads the receive FIFO. Once SSSR[TINT] is set it must be cleared by writing a one to it. If the time-out interrupt is enabled, clearing SSCR1[TINTE] also causes the time-out interrupt to be de-asserted.

16.4.2.2 Removing Trailing Bytes

In this case, no receive DMA service request is generated. To read out the trailing bytes, have the software wait for the time-out interrupt and then read all remaining entries as indicated by SSSR[RFL] and SSSR[RNE].

Note: The time-out interrupt must be enabled by setting SSCR1[TINTE].

16.4.3 Data Formats

Four pins transfer data between the PXA255 processor and external CODECs or modems. Although four serial-data formats exist, each has the same basic structure and in all cases the pins are used as follows:

- SSPSCLK—Defines the bit rate at which serial data is driven onto and sampled from the port.
- SSPSFRM—Defines the boundaries of a basic data unit, comprised of multiple serial bits.
- SSPTXD—The serial data path for transmitted data, from system to peripheral.
- SSPRXD—The serial data path for received data, from peripheral to system.

A data frame can contain from four to 32-bits, depending on the selected protocol. Serial data is transmitted most significant bit first. Four protocols are supported: TI Synchronous Serial Protocol*, SPI, Microwire*, and a PSP.

The SSPSFRM function and use varies between each protocol.

- For the TI Synchronous Serial Protocol*, SSPSFRM is pulsed high for one (serial) data period at the start of each frame. Master and slave modes are supported. TI Synchronous Serial Protocol* is a full-duplex protocol.
- For the SPI* protocol, SSPSFRM functions as a chip select to enable the external device (target of the transfer) and is held active-low during the data transfer (during continuous transfers, the SSPSFRM signal is held low). Master and slave modes are supported. SPI* is a full-duplex protocol.
- For the Microwire* protocol, SSPSFRM functions as a chip select to enable the external device (target of the transfer) and is held active-low during the data transfer. Slave mode is not supported for Microwire*. SSPSFRM for Microwire* is also held low during continuous transfers. Microwire* is a half-duplex protocol.
- For the PSP, SSPSFRM is programmable in direction, delay, polarity, and width. Master and slave modes are supported. PSP can be programmed to be either full or half duplex.

The SSPSCLK function and use varies between each protocol.

- For TI Synchronous Serial Protocol*, data sources switch transmit data on the rising edge of SSPSCLK and sample receive data on the falling edge. Master and slave modes are supported.
- For SPI*, the SSP lets programmers select which edge of SSPSCLK to use for switching transmit data and for sampling receive data. In addition, users can move the phase of SSPSCLK, shifting its active state one-half cycle earlier or later at the start and end of a frame. Master and slave modes are supported.
- For Microwire*, both data sources switch (change to the next bit) transmit data on the falling edge of SSPSCLK and sample receive data on the rising edge. Slave mode is not supported for Microwire*.
- For PSP, the protocol allows for the configuration of which edge of the SSPSCLK is used for switching transmit data and the edge for sampling receive data. In addition, the idle state for SSPSCLK can be controlled and the number of active clocks that precede and follow the data transmission. Master and slave modes are supported.

Microwire* uses a half-duplex, master-slave messaging protocol. At the start of a frame, the controller transmits a one or two-byte control message to the peripheral; no data is sent by the peripheral. The peripheral interprets the message and if the message is a read request, the peripheral responds with the requested data, one clock after the last bit of the request message. Return data—part of the same frame—can be from four to 16-bits in length. The total frame length is 13 to 33 bits. The SSPSCLK is active during the entire frame.

Note: The serial clock (SSPSCLK), if driven by the SSP, toggles only while an active data transfer is underway, unless receive-without-transmit mode is enabled by setting SSCRI[RWOT] and the frame format is not Microwire*, in which case the SSPSCLK toggles regardless of whether

transmit data exist within the transmit FIFO. At other times, SSPSCLK holds in an inactive or idle state as defined by the protocol.

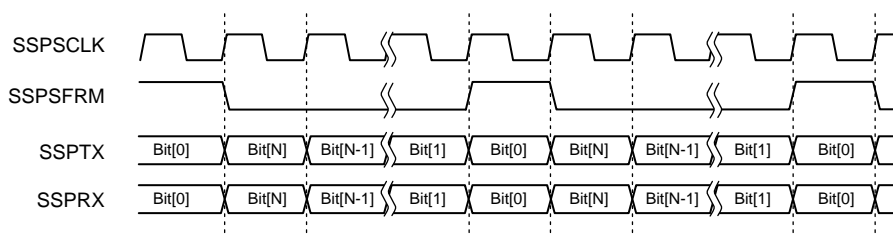
16.4.3.1 TI Synchronous Serial Protocol* Details

When outgoing data in the SSP controller is ready to transmit, SSPSFRM asserts for one clock period. On the following clock, data to be transmitted is driven on SSPTXD one bit at a time, the most significant bit first. For receive data, the peripheral similarly drives data on the SSPRXD pin. The word length can be from four to 32-bits. All output transitions occur on the rising edge of SSPSCLK while data sampling occurs on the falling edge. At the end of the transfer, the SSPTXD signal either retains the value of the last bit sent (LSB) or clears depending on the serial form and the value of the SSPSP[ETDS] (See Figure 16-1 through Figure 16-8). If the SSP is disabled or reset, SSPTXD is forced low.

Figure 16-1 shows the TI Synchronous Serial Protocol for when back-to-back frames are transmitted. Figure 16-2 shows the TI Synchronous Serial Protocol for a single transmitted frame. Once the transmit FIFO contains data, SSPSFRM is pulsed high for one SSPSCLK period and the value to be transmitted is transferred from the transmit FIFO to the transmit logic serial shift register. On the next rising edge of SSPSCLK, the most significant bit of the four to 32-bit data frame is shifted to the SSPTXD pin. Likewise, the MSB of the received data is shifted onto the SSPRXD pin by the off-chip serial slave device. Both the SSP and the off-chip serial slave device then latch each data bit into the serial shifter on the falling edge of each SSPSCLK. The received data is transferred from the serial shifter to the receive FIFO on the first rising edge of SSPSCLK after the last bit has been latched.

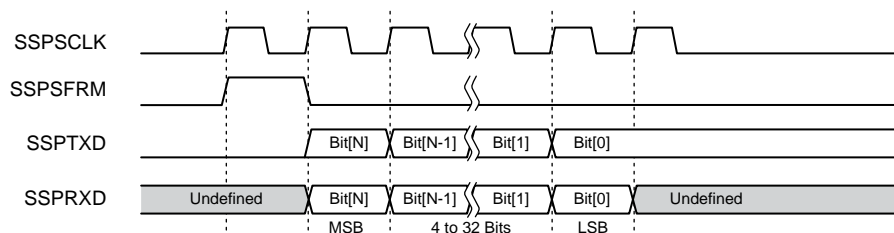
For back-to-back transfers, the start of one frame is the completion of the previous frame. The MSB of one transfer immediately follows the LSB of the preceding with no “dead” time between them. When the SSP is a master to the frame sync (SSPSFRM) and a slave to the clock (SSPSCLK), at least three extra clocks are needed at the beginning and end of each block of transfers to synchronize internal control signals (a block of transfers is a group of back-to-back continuous transfers).

Figure 16-1. Texas Instruments Synchronous Serial Frame* Protocol (multiple transfers)



A9650-01

Figure 16-2. Texas Instruments Synchronous Serial Frame* Protocol (single transfers)



A9518-02

16.4.3.2 SPI Protocol Details

The SPI protocol has four possible sub-modes, depending on the SSPSCLK edges selected for driving data and sampling received data and on the selection of the phase mode of SSPSCLK (see [Section 16.4.3.2.1](#) for complete descriptions of each mode).

When the SSP is disabled or in idle mode, SSPSCLK and SSPTXD are low and SSPSFRM is high. When transmit data is available to send, SSPSFRM goes low (one clock period before the first rising edge of SSPSCLK) and stays low for the remainder of the frame. The most significant bit of the serial data is driven onto SSPTXD one half-cycle later. Halfway into the first bit period, SSPSCLK asserts high and continues toggling for the remaining data bits. Data transitions on the falling edge of SSPSCLK. Four to 32 bits can be transferred per frame.

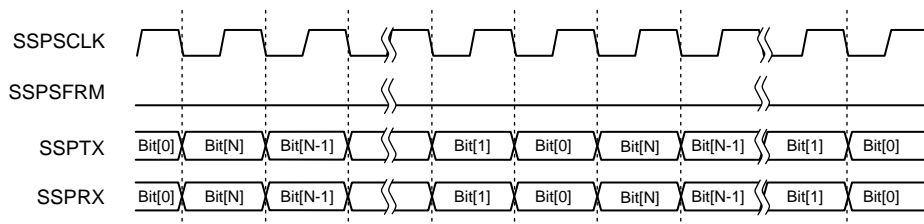
With the assertion of SSPSFRM, receive data is simultaneously driven from the peripheral on SSPRXD, MSB first. Data transitions on SSPSCLK falling edges and is sampled by the controller on rising edges. At the end of the frame, SSPSFRM is de-asserted high one clock period (one half clock cycle after the last falling edge of SSPSCLK) after the last bit latched at its destination and the completed incoming word is shifted into the incoming FIFO. The peripheral can drive SSPRXD to a high-impedance state after sending the last bit of the frame. SSPTXD retains the last value transmitted when the controller goes into idle mode, unless the SSP is disabled or reset (which forces SSPTXD low).

For back-to-back transfers, frames start and complete similar to single transfers, except SSPSFRM does not de-assert between words. Both transmitter and receiver are configured for the word length and internally track the start and end of frames. There are no dead bits; the least significant bit of one frame is followed immediately by the most significant bit of the next.

When using the SPI protocol, the SSP can either be a master or a slave device. However, the clock and frame direction must be the same. For example, the SSCR1[SCLKDIR] and SSCR0[SFRMDIR] must both be set or both be cleared.

[Figure 16-3](#) shows when back-to-back frames are transmitted for the Motorola SPI* frame protocol. [Figure 16-4](#) shows one of the four possible configurations for the Motorola SPI* frame protocol for a single transmitted frame.

Figure 16-3. Motorola SPI* Frame Protocol (multiple transfers)

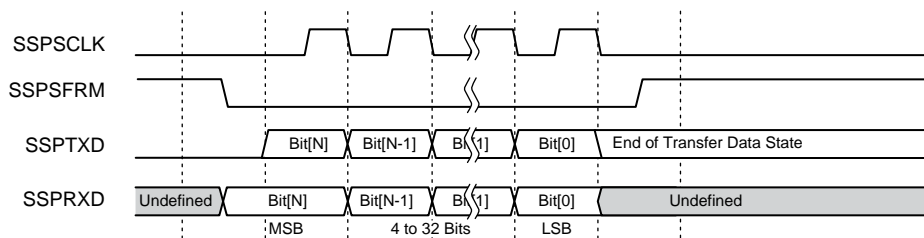


A9651-01

Note: When configured as either master or slave (to clock or frame) the SSP continues to drive SSPTXD with the last bit of data sent (the LSB). If SSCR0[SSE] is cleared, SSPTXD goes low. The state of SSPRXD is undefined before the MSB and after the LSB is transmitted. For minimum power consumption, this pin must not float.

Note: The phase and polarity of SSPSCLK can be configured for four different modes. This example shows just one of those modes (SSCR1[SPO] = 0, SSCR1[SPH] = 0).

Figure 16-4. Motorola SPI* Frame Protocol (single transfers)



A9519-02

Note: When configured as either master or slave (to clock or frame) the SSP continues to drive SSPTXD with the last bit of data sent (the LSB). If SSCR0[SSE] is cleared, SSPTXD goes low. The state of SSPRXD is undefined before the MSB and after the LSB is transmitted. For minimum power consumption, this pin must not float.

16.4.3.2.1 Serial Clock Phase (SPH)

The phase relationship between the SSPSCLK and the serial frame (SSPSFRM) pins when the Motorola SPI* protocol is selected is controlled by SSCR1[SPH].

When SPH is cleared, SSPSCLK remains in its inactive or idle state (as determined by SSCR1[SPO]) for one full cycle after SSPSFRM is asserted low at the beginning of a frame. SSPSCLK continues to transition for the rest of the frame. It is then held in its inactive state for one-half of an SSPSCLK period before SSPSFRM is de-asserted high at the end of the frame.

When SPH is set, SSPSCLK remains in its inactive or idle state (as determined by SSCR1[SPO]) for one-half cycle after SSPSFRM is asserted low at the beginning of a frame. SSPSCLK continues to transition for the remainder of the frame and is then held in its inactive state for one full SSPSCLK period before SSPSFRM is de-asserted high at the end of the frame.

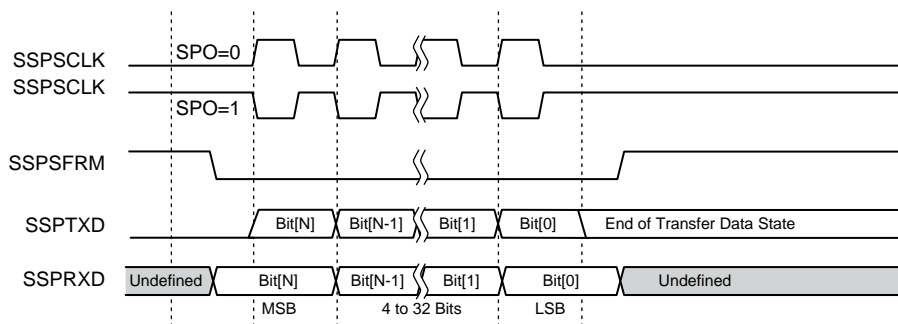
The combination of the SSCR1[SPO] and SSCR1[SPH] settings determine when SSPSCLK is active during the assertion of SSPSFRM and which SSPSCLK edge transmits and receives data on the SSPTXD and SSPRXD pins.

When programming SSCR1[SPO] and SSCR1[SPH] to the same value (both set or both cleared), transmit data is driven on the falling edge of SSPSCLK and receive data is latched on the rising edge of SSPSCLK. When programming SSCR1[SPO] and SSCR1[SPH] to opposite values (one set and the other cleared), transmit data is driven on the rising edge of SSPSCLK and receive data is latched on the falling edge of SSPSCLK.

Note: SSCR1[SPH] is ignored for all data frame formats except for the Motorola SPI* protocol.

Figure 16-6 shows the pin timing for all four programming combinations of SSCR1[SPO] and SSCR1[SPH]. The SSCR1[SPO] inverts the polarity of the SSPSCLK signal and SSCR1[SPH] determines the phase relationship between SSPSCLK and SSPSFRM, shifting the SSPSCLK signal one-half phase to the left or right during the assertion of SSPSFRM.

Figure 16-5. Motorola SPI* Frame Protocols for SPO and SPH Programming (multiple transfers)

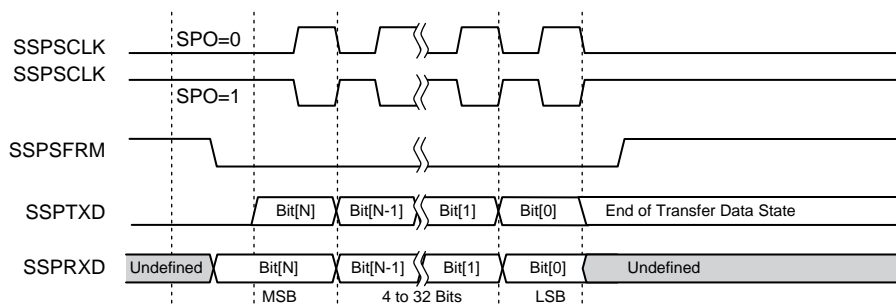


A9652-01

Note: When configured as either master or slave (to clock or frame) the SSP continues to drive SSPTXD with the last bit of data sent (the LSB). If SSCR0[SSE] is cleared, SSPTXD goes low. The state of

SSPRXD is undefined before the MSB and after the LSB is transmitted. For minimum power consumption, this pin must not float.

Figure 16-6. Motorola SPI* Frame Protocols for SPO and SPH Programming (single transfers)



A9520-02

Note: When configured as either master or slave (to clock or frame) the SSP continues to drive SSPTXD with the last bit of data sent (the LSB). If SSCR0[SSE] is cleared, SSPTXD goes low. The state of SSPRXD is undefined before the MSB and after the LSB is transmitted. For minimum power consumption, this pin must not float.

16.4.3.3 Microwire* Protocol Details

The Microwire* protocol is similar to SPI, except transmission is half-duplex instead of full-duplex and it uses master-slave message passing. While in the idle state or when the SSP is disabled, SSPSCLK and SSPTXD are low and SSPSFRM is high.

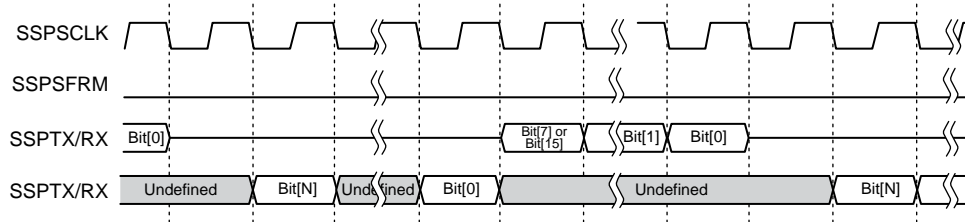
Each serial transmission begins with SSPSFRM asserting low, followed by an eight or 16-bit command word sent from the controller to the peripheral on SSPTXD. The command word data size is selected by the Microwire* transmit data size bit (SSCR1[MWDS]). SSPRXD is controlled by the peripheral and remains in a high-impedance state. SSPSCLK asserts high midway into the command's most significant bit and continues toggling at the bit rate.

One bit-period after the last command bit, the peripheral returns the serial-data requested most significant bit first on SSPRXD. Data transitions on the falling edge of SSPSCLK and is sampled on the rising edge. The last falling edge of SSPSCLK coincides with the end of the last data bit on SSPRXD and SSPSCLK remains low after that (if it is the only word or the last word of the transfer). SSPSFRM de-asserts high one-half clock period later.

The start and end of a series of back-to-back transfers are like those of a single transfer; however, SSPSFRM remains asserted (low) throughout the transfer. The end of a data word on SSPRXD is followed immediately by the start of the next command byte on SSPTXD with no dead time.

When using the Microwire* protocol, the SSP can function only as a master (frame and clock are outputs). Therefore, both SSCR1[SCLKDIR] and SSCR0[SFRMDIR] must both be cleared. Figure 16-7 shows the National Semiconductor Microwire* frame protocol with eight-bit command words when back-to-back frames are transmitted. Figure 16-8 shows the National Semiconductor Microwire* frame protocol with eight-bit command words for a single transmitted frame.

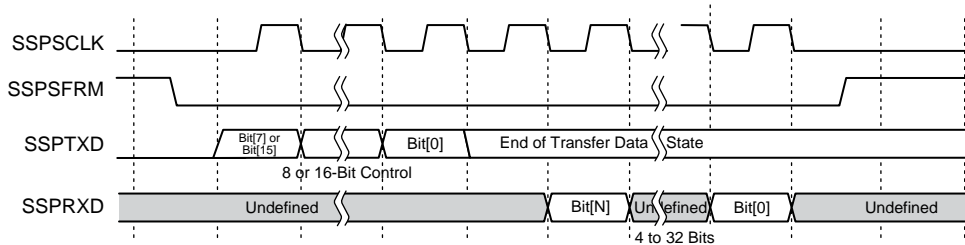
Figure 16-7. National Semiconductor Microwire* Frame Protocol (multiple transfers)



A9653-01

Note: When configured master the SSP continues to drive SSPTXD with the last bit of data sent (the LSB) or it drives zero, depending on the status of SSPSP[ETDS]. If SSCR0[SSE] is cleared, SSPTXD goes low. The state of SSPRXD is undefined before the MSB and after the LSB is transmitted. For minimum power consumption, this pin must not float.

Figure 16-8. National Semiconductor Microwire* Frame Protocol (single transfers)



A9521-02

Note: When configured master the SSP continues to drive SSPTXD with the last bit of data sent (the LSB) or it drives zero, depending on the status of SSPSP[ETDS]. If SSCR0[SSE] is cleared, SSPTXD goes low. The state of SSPRXD is undefined before the MSB and after the LSB is transmitted. For minimum power consumption, this pin must not float.

16.4.3.4 PSP Details

The PSP provides programmability for several parameters that determine the transfer timings between data.

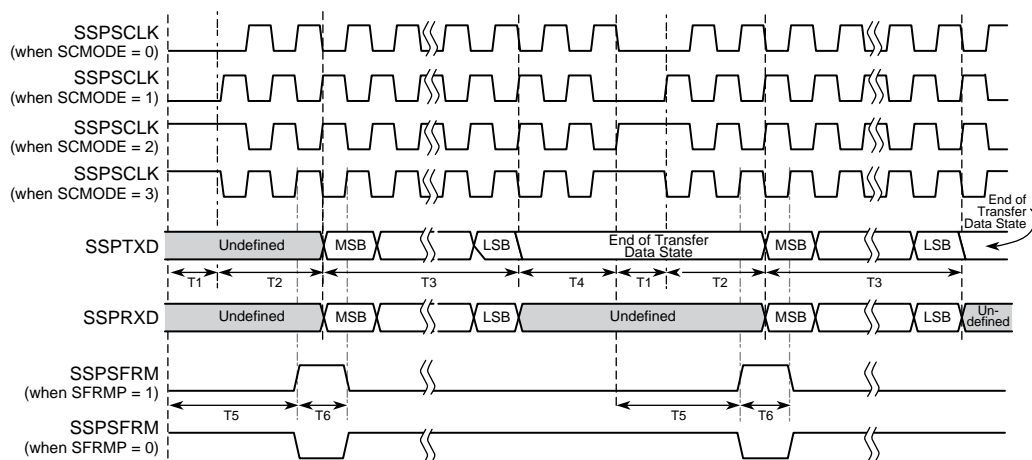
There are four possible serial clock sub-modes, depending on the SSPSCLK edges selected for driving data and sampling received data and the selection of idle state of the clock.

For the PSP, the idle and disable modes of the SSPTXD, SSPSCLK, and SSPSFRM are programmable via SSPSP[ETDS], SSPSP[SCMODE] and SSPSP[SFRMP]. When transmit data is ready, the SSPSCLK remains in its idle state for the number of serial clock (SSPSCLK) clock periods programmed within the start delay (SSPSP[STRTDLY]) field. SSPSCLK then starts toggling, SSPTXD remains in the idle state for the number of cycles programmed within the dummy start field (SSPSP[DMYSTRT]). The SSPSFRM signal asserts after the number of half-

clocks programmed in the field SSPSP[SFRMP]. The SSPSFRM remains asserted for the number of half-clocks programmed within SSPSP[SFRMWDTH]. Four to 32-bits can be transferred per frame. Once the LSB transfers, the SSPSCLK continues toggling based on the dummy stop field (SSPSP[DMYSTOP]). SSPTXD either retains the last value transmitted or is forced to zero, depending on the value programmed within the end of transfer data state field (SSPSP[ETDS]), when the controller goes into idle mode, unless the SSP is disabled or reset (which forces SSPTXD low). Refer to Table 16-2 for more information.

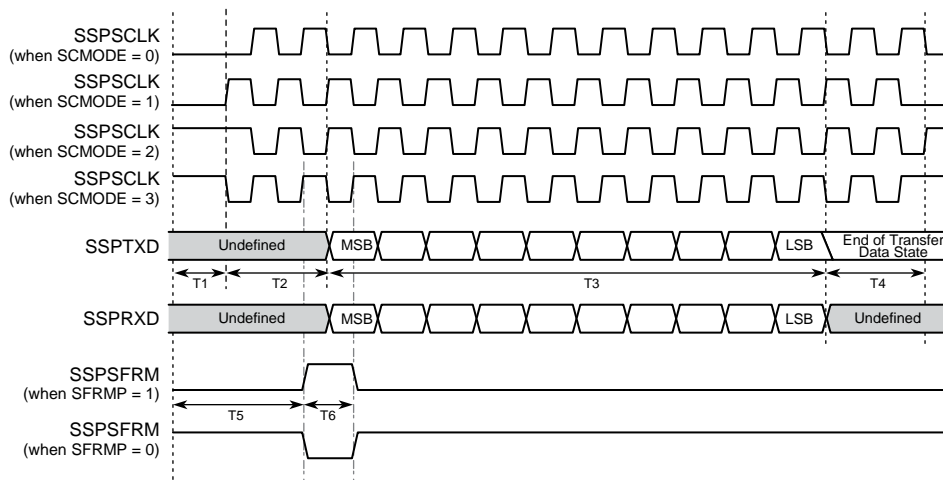
With the assertion of SSPSFRM, receive data is simultaneously driven from the peripheral on SSPRXD, MSB first. Data transitions on SSPSCLK based on the serial clock mode selected and are sampled by the controller on the opposite edge. When the SSP is a master to the frame sync (SSPSFRM) and a slave to the clock (SSPSCLK), at least three extra clocks are needed at the beginning and end of each block of transfers to synchronize internal control signals (a block of transfers is a group of back-to-back continuous transfers).

Figure 16-9. Programmable Serial Protocol (multiple transfers)



A9523-02

Figure 16-10. Programmable Serial Protocol (single transfers)



A9522-02

Table 16-2. Programmable Serial Protocol (PSP) Parameters

Symbol	Definition	Range	Units
—	Serial clock mode (SSPSP[SCMODE])	(Drive, Sample, SSPSCLK Idle) 0 - Fall, Rise, Low 1 - Rise, Fall, Low 2 - Rise, Fall, High 3 - Fall, Rise, High	—
—	Serial frame polarity (SSPSP[SFRMP])	High or Low	—
T1	Start delay (SSPSP[STRTDLY])	0 - 7	Clock period
T2	Dummy start (SSPSP[DMYSTRT])	0 - 3	Clock period
T3	Data size (SSCR0[EDSS] and SSCR0[DSS])	4 - 32	Clock period
T4	Dummy stop (SSPSP[DMYSTOP])	0 - 3	Clock period
T5	SSPSFRM delay (SSPSP[SFRMDLY])	0 - 88	Half clock period
T6	SSPSFRM width (SSPSP[SFRMWDTH])	1 - 44	Clock period
	End of transfer data state (SSPSP[ETDS])	Low or [bit 0]	—

Note: The SSPSFRM delay must not extend beyond the end of T4. SSPSFRM Width must be asserted for at least 1 SSPSCLK, and must be deasserted before the end of the T4 cycle (i.e. in terms of time, not bit values, $(T5 + T6) \leq (T1 + T2 + T3 + T4)$, $1 \leq T6 < (T2 + T3 + T4)$, and $(T5 + T6) \geq (T1 + 1)$) to ensure that SSPSFRM is asserted for at least 2 edges of the SSPSCLK. While the PSP can be programmed to generate the assertion of SSPSFRM during the middle of the data transfer (after the MSB was sent), the SSP is not able to receive data in frame slave mode (SSCR1[SFRMDIR] is

set) if the assertion of frame is not before the MSB is sent (For example, $T5 \leq T2$ if $SSCR1[SFRMDIR]$ is set). Transmit Data transitions from the “End of Transfer Data State” to the next MSB value upon the assertion of frame. The start delay field should be programmed to 0 whenever $SSPCLK$ or $SSPSFRM$ is configured as an input.

16.4.4 Hi-Z on SSPTXD

The PXA255 processor NSSP supports placing $SSPTXD$ into Hi-Z during idle times instead of driving $SSPTXD$.

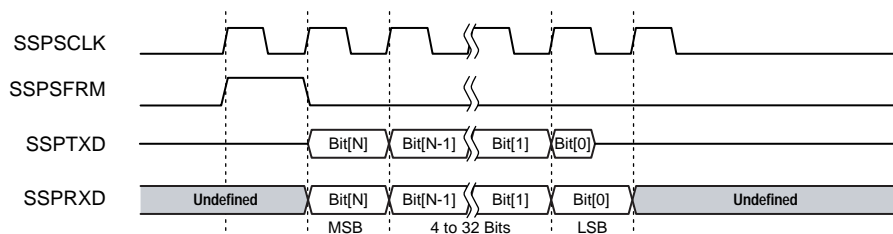
$SSCR1[TTE]$ enables Hi-Z on $SSPTXD$. $SSCR1[TTELP]$ controls when $SSPTXD$ is placed into Hi-Z.

16.4.4.1 TI Synchronous Serial Port

When $SSCR1[TTE]$ is 0, the SSP behaves as described in [Section 16.4.3.1](#).

If $SSCR1[TTE]$ is 1 and $SSCR1[TTELP]$ is 0, $SSPTXD$ is driven with the MSB at the first rising edge of $SSPCLK$ after $SSPSFRM$ is asserted. $SSPTXD$ is Hi-Z after the falling edge of $SSPCLK$ for the LSB (1 clock edge after the clock edge that starts the LSB). [Figure 16-11](#) shows the pin timing for this mode.

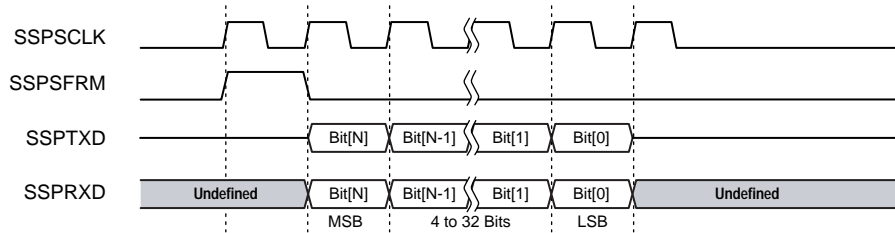
Figure 16-11. TI SSP with $SSCR[TTE]=1$ and $SSCR[TTELP]=0$



A9974-01

If $SSCR1[TTE]$ is 1 and $SSCR1[TTELP]$ is 1, $SSPTXD$ is driven with the MSB at the first rising edge of $SSPCLK$ after $SSPSFRM$ is asserted. $SSPTXD$ is Hi-Z at the next rising edge of $SSPCLK$ after the LSB (2 clock edges after the clock edge that starts the LSB). [Figure 16-12](#) shows the pin timing for this mode.

Figure 16-12. TI SSP with SSCR[TTE]=1 and SSCR[TTELP]=1



A9975-01

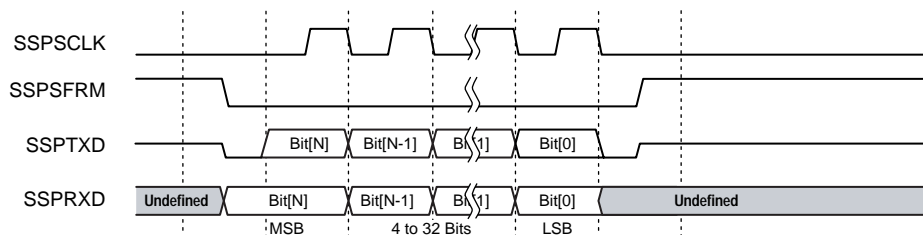
Note: If SSPSCLK is an input, the device driving SSPSCLK must provide another clock edge to cause the TXD line to go to Hi-Z.

16.4.4.2 Motorola SPI

When SSCR1[TTE] is 0, the SSP behaves as described in [Section 16.4.3.2](#).

If SSCR1[TTE] is 1, SSPTXD is driven only when SSPSFRM is 0. When SSPSFRM is 1, SSPTXD is Hi-Z. During the time between the last falling edge and SSPSFRM rising, SSPSP[EDTS] controls the value driven on SSPTXD. [Figure 16-13](#) shows the pin timing for this mode.

Figure 16-13. Motorola SPI with SSCR[TTE]=1



A9976-01

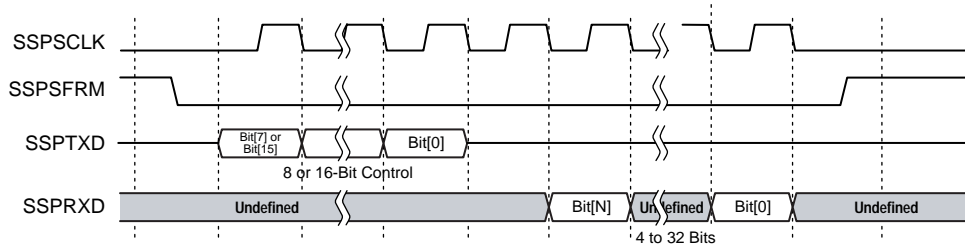
Note: SSCR1[TTELP] must be 0 for Motorola SPI.

16.4.4.3 National Semiconductor Microwire

When SSCR1[TTE] is 0, the SSP behaves as described in [Section 16.4.3.3](#).

If SSCR1[TTE] is 1, SSPTXD is driven at the same clock edge that the MSB is driven. SSPTXD is Hi-Z after the next rising edge of SSPSCLK for the LSB (1 clock edge after the clock edge that starts the LSB). [Figure 16-14](#) shows the pin timing for this mode.

Figure 16-14. National Semiconductor Microwire with SSCR1[TTE]=1



A9977-01

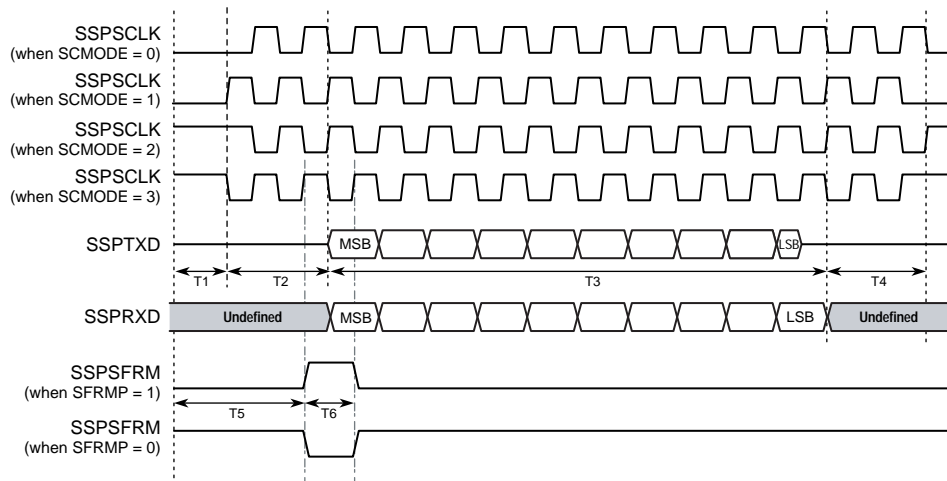
Note: SSCR1[TTELP] must be 0 for National Semiconductor Microwire.

16.4.4.4 Programmable Serial Protocol

When SSCR1[TTE] is 0, the SSP behaves as described in Section 16.4.3.4.

If SSCR1[TTE] is 1 and SSCR1[TTELP] is 0, SSPTXD is driven at the same clock edge that the MSB is driven. If the SSP is a slave to frame SSPTXD is Hi-Z on the clock edge after the edge that starts the LSB. Figure 16-15 shows the pin timing for this mode.

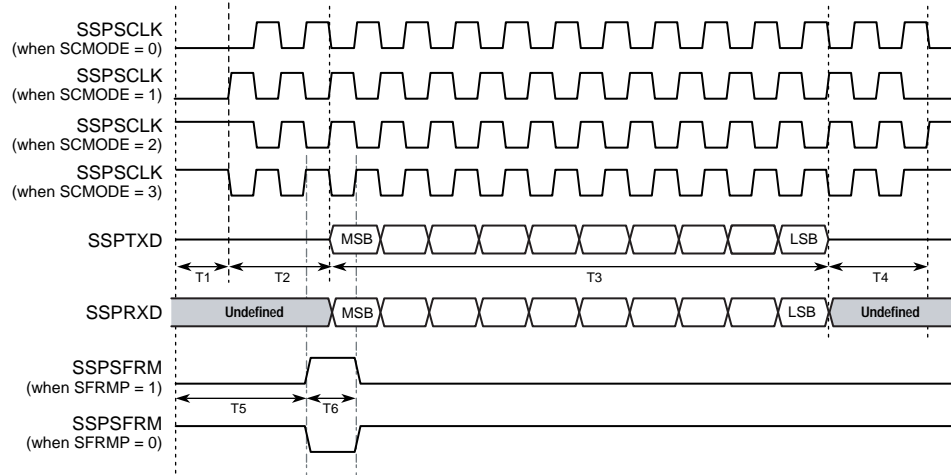
Figure 16-15. PSP mode with SSCR1[TTE]=1 and SSCR1[TTELP]=0 (slave to frame)



A9978-01

If the SSP is a master to frame, SSPTXD is Hi-Z two clock edges after the clock edge that drives the LSB. This occurs even if the SSP is a master of clock and this clock edge does not appear on the SSPSCLK. Figure 16-16 shows the pin timing for this mode.

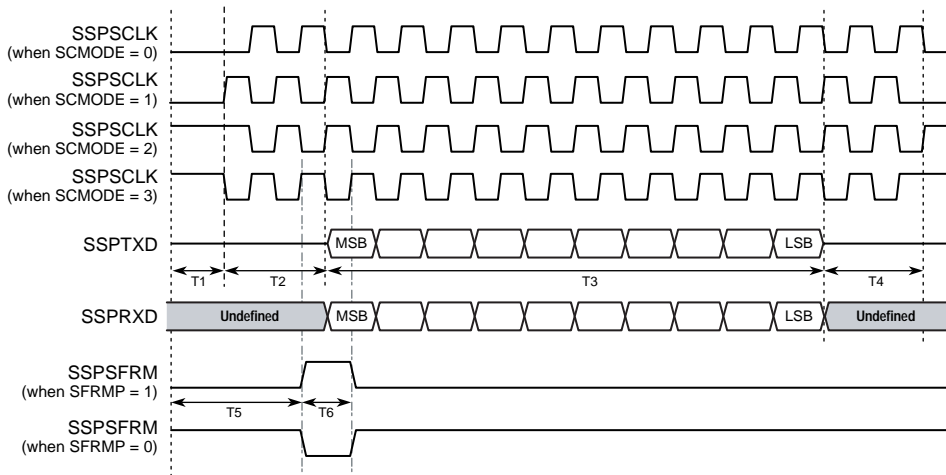
Figure 16-16. PSP mode with SSCR1[TTE]=1 and SSCR1[TTELP]=0 (master to frame)



A9979-01

SSCR1[TTELP] can only be set to 1 in PSP mode if the SSP is a slave to frame. If SSCR1[TTE] is 1 and SSCR1[TTELP] is 1 and the SSP is a slave to frame, SSPTXD is driven at the same clock edge that the MSB is driven. SSPTXD is Hi-Z two clock edges after the clock edge that starts the LSB. This occurs even if the SSP is a master of clock and this clock edge does not appear on the SSPSCLK. If the SSP is a slave of clock, then the device driving SSPSCLK must provide another clock edge. Figure 16-17 shows the pin timing for this mode.

Figure 16-17. PSP mode with SSCR1[TTE]=1 and SSCR1[TTELP]=1 (must be slave to frame)



A9980-01

16.4.5 FIFO Operation

Two separate and independent FIFOs are present for transmit (to peripheral) and receive (from peripheral) serial data. FIFOs are filled or emptied by programmed I/O or DMA bursts.

16.4.5.1 Using Programmed I/O Data Transfers

The PXA255 processor can perform FIFO filling and emptying in response to an interrupt from the FIFO logic. Each FIFO has a programmable trigger threshold at which an interrupt is triggered. When the number of entries in the receive FIFO exceeds the value in `SSCR1[RFT]`, an interrupt is generated (if enabled). This interrupt signals the CPU to empty the receive FIFO. When the number of entries in the transmit FIFO is less than or equal to the value of $(SSCR1[TFT] + 1)$, an interrupt is generated (if enabled). This interrupt signals the CPU to refill the transmit FIFO.

Reading the SSP Status Register (see [Section 16.5.3](#)) shows whether the FIFO is full, empty or how many samples it contains.

16.4.5.2 Using DMA Data Transfers

The DMA controller can be programmed to transfer data to and from the SSP FIFOs. To prevent overruns of the transmit FIFO or underruns of the receive FIFO when using the DMA, take care when setting the transmit and receive trigger thresholds.

The programming model for using the DMA is as:

- Program the total number of transmit and receive byte lengths, burst sizes, and peripheral width. Program `DCMD[WIDTH]` to `0b01` for SSP formats of 8 bits or less; to `0b10` for SSP formats of 9 to 16 bits; to `0b11` for SSP formats of more than 16 bits. When `DCMD[WIDTH]` is `0b01` (1 byte), then the DMA burst size must be configured for 8 or 16 bytes per burst.
- Set the preferred values in the SSP control registers.
- Set the SSE bit in the SSP Control Register 0 to enable the SSP (see [Section 16.5.1](#)).
- Set the run bits in the DMA Command Register.
- Wait for both the DMA transmit and receive interrupt requests.
- If the transmit/receive byte length is not an even multiple of the transfer burst size, a trailing-byte condition may occur as described within [Section 16.4.2](#).
- In full-duplex formats where the SSP always receives the same number of data samples as it transmits, the DMA channel must be set up to transmit and receive the same number of bytes.

16.4.6 Baud-Rate Generation

When the SSP is configured as the master of the `SSPSCLK` (as determined by `SSCR1[SCLKDIR]`), the baud rate (or serial bit-rate clock `SSPSCLK`) is generated internally by dividing the 3.6864 MHz clock by a programmable divider (`SSCR0[SCR]`).

This generates baud rates up to a maximum of 3.68 Mbits per second. When driven by an external clock, `SSPSCLK` can be driven up to 13 MHz, generating baud rates up to 13 Mbits per second. At these fast baud rates, using polled/interrupt mode is insufficient to keep the FIFO filled. You must use DMA mode.

16.5 Register Descriptions

Each SSP consists of seven registers: three control, one data, one status, one time-out, and one test.

- The SSP control registers (SSCR0, SSCR1) configure the baud rate, data length, frame format, data-transfer mechanism, and port enabling. They also permit setting the FIFO trigger threshold that triggers an interrupt.
- Access all registers using aligned words.

Note: Write the SSP registers after a reset but before the SSP is enabled.

- The SSP Time-Out (SSTO) register programs the time-out value used to signal a specified period of receive FIFO inactivity.
- While in PSP mode, the SSP Programmable Serial Protocol (SSPSP) register programs the parameters used in defining the data transfer.
- The data register is mapped as one 32-bit location, which physically points to either of two 32-bit registers: one register is for writes of data transfers to the transmit FIFO and the other register is for reads that take data from the receive FIFO. A write cycle or burst write puts successive words into the SSP write register and then into the transmit FIFO. A read cycle or burst read takes data from the SSP read register and the receive FIFO reloads it with available data bits it has stored.

Do not increment the address using read and write DMA bursts.

- Besides showing the state of the FIFO buffers, the status register shows whether the programmable trigger threshold has been passed and whether a transmit or receive FIFO service request is active. The status register also shows how full the FIFO is. Flag bits indicate when the SSP is actively transmitting data, when the transmit FIFO is not full, and when the receive FIFO is not empty. The SSSR[ROR] bit signals an overrun of the receive FIFO. In this case newly received data is discarded.

When programming registers, reserved bits must be written as zeroes and read as undefined.

16.5.1 SSP Control Register 0 (SSCR0)

SSCR0, shown in [Table 16-3](#), contains bit fields that control various functions within the SSP. Before enabling the SSP (via SSE) the desired values for this register must be set.

These are read/write registers. Ignore reads from reserved bits. Write zeros to reserved bits.

Table 16-3. SSCR0 Bit Definitions (Sheet 1 of 2)

0x4140_0000											SSCR0											Network SSP Serial Port														
31	30	29	28	27	26	25	24	23	22	21	20	19	18	17	16	15	14	13	12	11	10	9	8	7	6	5	4	3	2	1	0					
reserved											EDSS	SCR											SSE	reserved	FRF	DSS										
?	?	?	?	?	?	?	?	?	?	?	0	0	0	0	0	0	0	0	0	0	0	0	0	0	0	?	0	0	0	0	0	0	0			
Bits	Name		Description																																	
31:21	—		reserved																																	
20	EDSS		<p>EXTENDED DATA SIZE SELECT:</p> <p>Used in conjunction with DSS to select the size of the data transmitted and received by the SSP.</p> <p>0 – Pre-appended to the DSS value. Sets the DSS range from 4-16- bits.</p> <p>1 – Pre-appended to the DSS value. Sets the DSS range from 17-32-bits.</p>																																	
19:8	SCR		<p>THE SERIAL CLOCK RATE:</p> <p>Selects the bit rate of the SSP when in master mode with respect to the SSPSCLK (as defined by SSCR1[SCLKDIR]). The maximum bit rate is 3.6864 Mbps. The clock is divided by the value of SCR plus 1 (a range of 1 to 4096) to generate the serial clock (SSPSCLK).</p> <p>This field is ignored when the SSP is a slave with respect to SSPSCLK (defined by SSCR1[SCLKDIR]) and transmission data rates are determined by the external device (Maximum of 13 MHz). At these fast baud rates, using polled/interrupt mode is insufficient to keep the FIFO filled. You must use DMA mode.</p> <p>NOTE: Software must not change SCR when the SSPSCLK is enabled because doing so causes the SSPSCLK frequency to immediately change.</p> <p>Serial bit rate = SSP Clock / (SCR + 1)</p>																																	
7	SSE		<p>SYNCHRONOUS SERIAL PORT ENABLE/DISABLE:</p> <p>Enables and disables all SSP operations. When the port is disabled, all of its clocks can be stopped by programmers to minimize power consumption.</p> <p>When cleared during active operation, the SSP is disabled immediately, terminating the current frame being transmitted or received. Clearing SSE resets the port FIFOs and the status bits; however, the SSP control registers are not reset.</p> <p>NOTE: After reset or after clearing the SSE, software must ensure that the SSCR1, SSITR, SSTO, and SSPSP control registers are properly re-configured and that the SSSR register is reset before re-enabling the SSP by setting SSE. Also, SSE must be cleared before re-configuring the SSCR0, SSCR1, or SSPSP registers; any or all control bits in SSCR0 can be written at the same time as the SSE.</p> <p>0 – SSP operation disabled</p> <p>1 – SSP operation enabled</p>																																	
6	—		reserved																																	
5:4	FRF		<p>FRAME FORMAT:</p> <p>SELECTS which frame format to use.</p> <p>0b00 – Serial Peripheral Interface*</p> <p>0b01 – TI Synchronous Serial Protocol*</p> <p>0b10 – Microwire*</p> <p>0b11 – Programmable Serial Protocol</p>																																	

Table 16-3. SSCR0 Bit Definitions (Sheet 2 of 2)

0x4140_0000										SSCR0										Network SSP Serial Port													
31	30	29	28	27	26	25	24	23	22	21	20	19	18	17	16	15	14	13	12	11	10	9	8	7	6	5	4	3	2	1	0		
reserved										EDSS	SCR										SSE	reserved	FRF	DSS									
?	?	?	?	?	?	?	?	?	?	0	0	0	0	0	0	0	0	0	0	0	0	0	0	0	?	0	0	0	0	0	0		
Bits	Name	Description																															
3:0	DSS	DATA SIZE SELECT: Used in conjunction with EDSS to select the size of the data transmitted and received by the SSP. The concatenated 5-bit value of EDSS and DSS provides a data range from four to 32-bits in length. For the Microwire* protocol, DSS and EDSS are used to determine the receive data size. The size of the transmitted data is either eight or 16-bits (determined by SSCR1[MWDS]) and the EDSS bit is ignored. The EDSS and DSS fields are ignored for Microwire* transmit data size - MWDS (alone) configures this. However, for all modes (including Microwire*) EDSS and DSS are used to determine the receive data size. When data is programmed to be less than 32 bits, the FIFO must be programmed right-justified.																															
		EDSS	DSS	Data Size	EDSS	DSS	Data Size																										
		1	0b0000	17-bit data	0	0b0000	reserved, undefined																										
		1	0b0001	18-bit data	0	0b0001	reserved, undefined																										
		1	0b0010	19-bit data	0	0b0010	reserved, undefined																										
		1	0b0011	20-bit data	0	0b0011	4-bit data																										
		1	0b0100	21-bit data	0	0b0100	5-bit data																										
		1	0b0101	22-bit data	0	0b0101	6-bit data																										
		1	0b0110	23-bit data	0	0b0110	7-bit data																										
		1	0b0111	24-bit data	0	0b0111	8-bit data																										
		1	0b1000	25-bit data	0	0b1000	9-bit data																										
		1	0b1001	26-bit data	0	0b1001	10-bit data																										
		1	0b1010	27-bit data	0	0b1010	11-bit data																										
		1	0b1011	28-bit data	0	0b1011	12-bit data																										
		1	0b1100	29-bit data	0	0b1100	13-bit data																										
		1	0b1101	30-bit data	0	0b1101	14-bit data																										
		1	0b1110	31-bit data	0	0b1110	15-bit data																										
1	0b1111	32-bit data	0	0b1111	16-bit data																												

16.5.2 SSP Control Register 1 (SSCR1)

SSCR1, shown in Table 16-4, contains bit fields that control various SSP functions. Before enabling the port (using SSCR0[SSE]), the desired values for this register must be set.

These are read/write registers. Ignore reads from reserved bits. Write zeros to reserved bits.

Table 16-4. SSCR1 Bit Definitions (Sheet 1 of 2)

	0x04140_0004														SSCR1				Network SSP Serial Port																		
Bit	31	30	29	28	27	26	25	24	23	22	21	20	19	18	17	16	15	14	13	12	11	10	9	8	7	6	5	4	3	2	1	0					
	TTELP	TTE	EBCEI	SCFR	reserved	SCLKDIR	SFRMDIR	RWOT	reserved	TSRE	RSRE	TINTE	reserved	STRF	EFWR	RFT				TFT				MWDS	SPH	SPO	LBM	TIE	RIE								
Reset	0	0	0	0	?	?	0	0	0	0	0	0	0	?	?	?	0	0	0	0	0	0	0	0	0	0	0	0	0	0	0	0					
Bits	Name		Description																																		
31	TTELP		<p>TRANSMIT HI-Z LATER PHASE: This bit modifies the behavior of TTE. It causes SSPTXD to become Hi-Z 1/2 phase (or one clock edge) later than normal. This only occurs with the TI SSP format, and the PSP format if the SSP is a slave to frame. For TI SSP format, this means the SSPTXD is Hi-Z after the rising edge after the LSB (The LSB is present a full clock). For PSP format if the SSP is a slave to frame, this means the SSPTXD is Hi-Z two clock edges after the LSB (the LSB is present a full clock). If SSPSCLK is an input, the device driving SSPSCLK must provide another clock edge. 0 – SSPTXD Hi-Z timing is as described below for TTE. 1 – SSPTXD Hi-Z timing is extended by 1/2 phase. Only valid for TI SSP, and PSP if the SSP is a slave to frame.</p>																																		
30	TTE		<p>TRANSMIT HI-Z ENABLE: This bit controls whether or not SSPTXD is driven or Hi-Z when the SSP is idle. For Microwire* SSPTXD is driven at the same clock edge that the MSB is driven, and SSPTXD is Hi-Z after the next rising edge of SSPSCLK for the LSB (1 clock edge after the clock edge that starts the LSB). For SPI, SSPTXD is Hi-Z whenever SSPFRM is deasserted. For TI SSP format, SSPTXD is driven with the MSB at the first rising edge of SSPSCLK after SSPSFRM is asserted and is Hi-Z after the falling edge of SSPSCLK for the LSB (1 clock edge after the clock edge that starts the LSB). For PSP format, if the SSP is a slave to frame SSPTXD is Hi-Z on the same clock edge that starts the LSB. For PSP format if the SSP is a master to frame, SSPTXD is Hi-Z on the clock edge after the clock edge for the LSB. This occurs even if the SSP is a master of clock and this clock edge does not appear on SSPSCLK. 0 – SSPTXD line is driven when SSP is idle 1 – SSPTXD line is Hi-Z when SSP is idle</p>																																		
29	EBCEI		<p>BIT COUNT ERROR INTERRUPT MASK: Disables bit count error interrupts. SSSR will still indicate an error. A bit count error occurs when the SSP is a slave to clock or frame and the SSP detects a new frame before the internal bit counter has reached 0. 0 – Bit count error events will generate an interrupt. 1 – Bit count error events will not generate an interrupt.</p>																																		
28	SCFR		<p>SLAVE CLOCK FREE RUNNING: SCFR in slave mode (SCLKDIR set) must be cleared if the input clock from the external source is running continuously. In master mode (SCLKDIR cleared) this bit is ignored. Master mode only: 0 – Clock input to SSPSCLK is continuously running 1 – Clock input to SSPSCLK is active only during transfers.</p>																																		
27:26	—		reserved																																		

Table 16-4. SSCR1 Bit Definitions (Sheet 2 of 2)

0x04140_0004				SSCR1										Network SSP Serial Port																		
Bit	31	30	29	28	27	26	25	24	23	22	21	20	19	18	17	16	15	14	13	12	11	10	9	8	7	6	5	4	3	2	1	0
	TTELP	TTE	EBCEI	SCFR	reserved	SCLKDIR	SFRMDIR	RWOT	reserved	TSRE	RSRE	TINTE	reserved	STRF	EFWR	RFT					TFT			MWDS	SPH	SPO	LBM	TIE	RIE			
Reset	0	0	0	0	?	?	0	0	0	0	0	0	0	?	?	?	0	0	0	0	0	0	0	0	0	0	0	0	0	0	0	0
Bits	Name		Description																													
25	SCLKDIR		SSP SERIAL BIT RATE CLOCK DIRECTION: Determines whether the port is the master or slave (with respect to driving SSPSCLK). 0 – Master mode, the port generates SSPSCLK internally, acts as the master, and drives SSPSCLK. 1 – Slave mode, the port acts as a slave, receives SSPSCLK from an external device and uses it to determine when to drive transmit data on SSPTXD and when to sample Receive data on SSPRXD.																													
24	SFRMDIR		SSP FRAME DIRECTION: Determines whether the SSP is the master or slave (with respect to driving SSPSFRM.) When SFRMDIR is set, the port acts as the slave and receives the SSPSFRM signal from an external device. When the port is configured as a slave to the frame, the external device driving frame must wait at least the equivalent of 10 SSPSCLKS after enabling the port before asserting frame. (No external clock cycles are needed, the external device just needs to wait a certain amount of time before asserting frame). NOTE: When the GPIO alternate function is selected for the port, this bit has precedence over the GPIO direction bit. For example, the GPIO pin is an input if SFRMDIR=1. Alternately, the GPIO pin is an output if SFRMDIR=0. 0 – Master mode, the port generates SSPSFRM internally, acts as the master and drives SSPSFRM. 1 – Slave mode, the port acts as a slave, receives SSPSFRM from an external device.																													
23	RWOT		RECEIVE WITH OUT TRANSMIT: Puts the SSP into a mode similar to half duplex. This allows the port to receive data without transmitting data (half-duplex only). When RWOT is set, the port continues to clock in receive data, regardless of data existing in the transmit FIFO. Data is sent/received immediately after the port enable bit (SSCR0[SSE]) is set. In this mode, if there is no data to send, the DMA service requests and interrupts for the transmit FIFO must be disabled (clear TSRE and TIE). If the transmit FIFO is empty, all zeroes are transmitted which must be discarded by the external peripheral. The transmit FIFO underrun condition does not occur when RWOT is set. When RWOT is enabled, SSSR[BUSY] remains active (set to 1) until software clears the RWOT bit. 0 – Transmit/Receive mode. 1 – Receive With Out Transmit mode.																													
22	—		reserved																													

16.5.3 SSP Programmable Serial Protocol Register (SSPSP)

SSPSPx, shown in Table 16-5, contains bit fields used to program the various programmable serial-protocol parameters. The contents of these registers are ignored if the PSP is not selected.

These are read/write registers. Ignore reads from reserved bits. Write zeros to reserved bits.

Table 16-5. SSPSP Bit Definitions (Sheet 1 of 2)

	0x4140_002C								SSPSP								Network SSP Serial Port															
Bit	31	30	29	28	27	26	25	24	23	22	21	20	19	18	17	16	15	14	13	12	11	10	9	8	7	6	5	4	3	2	1	0
	reserved								DMYSTOP	reserved	SFRMWDTH				SFRMDLY				DMYSTRT	STRTDLY		ETDS	SFRMP	SCMODE								
Reset	?	?	?	?	?	?	?	0	0	?	0	0	0	0	0	0	0	0	0	0	0	0	0	0	0	0	0	0	0	0	0	0
Bits	Name		Description																													
31:25	—		reserved																													
24:23	DMYSTOP		DUMMY STOP Determines the number of serial clock (SSPCLK) cycles that SSPCLK is active following the last bit (bit 0) of transmitted (SSPTXD) or received data (SSPRXD).																													
22:16	SFRMWDTH		SERIAL FRAME WIDTH: Determines the number of serial clock periods of the frame width (SSPSFRM active). The programmed value must not be greater than: $(Start\ Delay)_{max} + (Dummy\ start)_{max} + (Data\ size)_{max} + (Dummy\ Stop)_{max}$. In slave mode (SSCR1[SFRMDIR] set), this field is ignored, however the incoming frame signal must be asserted for at least 1 SSPCLK duration. In PSP mode, the incoming frame signal must be deasserted for at least 1 SSPCLK after assertion (before the next sample is transferred).																													
15:9	SFRMDLY		SERIAL FRAME DELAY: Determines the number of half serial clock periods that SSPSRM is delayed from the start of the transfer. The programmed value sets the number of half SSPCLK cycles from the time TXD/RXD starts being driven to the time SSPSRM is asserted, from 0 to 74.																													
8:7	DMYSTRT		DUMMY START: Determines the number of SSPCLK cycles after STRTDLY that precede the transmitted (SSPTXD) or received data (SSPRXD).																													
6:4	STRTDLY		THREE-BIT START DELAY FIELD: Determines the number of SSPCLK cycles that SSPCLK remains in its Idle state between data transfers. The start delay field must be programmed to 0 whenever SSPCLK or SSPSRM is configured as an input (SSCR1[SCLKDIR] = 1 or SSCR1[SFRMDIR] = 1).																													
3	ETDS		END OF TRANSFER DATA STATE: Determines the state of SSPTXD at the end of a transfer. When cleared, the state of SSPTXD is forced to 0 after the last bit (bit 0) of the frame is sent and remains 0 through the next idle period. When set, the state of SSPTXD retains the value of the last bit sent (bit 0) through the next idle period. 0 – Low 1 – Last Value <Bit 0>																													
2	SFRMP		SERIAL FRAME POLARITY: Determines the active state of the Serial Frame signal (SSPSFRM). In Idle mode or when the SSP is disabled, SSPSRM is in its inactive state. In slave mode (SSCR1[SFRMDIR] set), this bit indicates the polarity of the incoming frame signal. 0 – SSPSRM is active low. 1 – SSPSRM is active high.																													



Table 16-5. SSPSP Bit Definitions (Sheet 2 of 2)

0x4140_002C								SSPSP								Network SSP Serial Port																	
Bit	31	30	29	28	27	26	25	24	23	22	21	20	19	18	17	16	15	14	13	12	11	10	9	8	7	6	5	4	3	2	1	0	
	reserved							DMYSTOP	reserved	SFRMWDTH				SFRMDLY				DMYSTRT	STRDLY		ETDS	SFRMP	SCMODE										
Reset	?	?	?	?	?	?	?	0	0	?	0	0	0	0	0	0	0	0	0	0	0	0	0	0	0	0	0	0	0	0	0	0	0
Bits	Name		Description																														
1:0	SCMODE		SERIAL BIT-RATE CLOCK MODE: Selects one of four serial clock modes when the PSP is selected (SSCR0[FRF]=0b11). Its operation is similar to how SSCR1[SPO] and SSCR1[SPH] together determine the idle state of SSPSCLK and on which edges data is driven and sampled. 0b00 - Data Driven (Falling), Data Sampled (Rising), Idle State (Low) 0b01 - Data Driven (Rising), Data Sampled (Falling), Idle State (Low) 0b10 - Data Driven (Rising), Data Sampled (Falling), Idle State (High) 0b11- Data Driven (Falling), Data Sampled (Rising), Idle State (High)																														

16.5.4 SSP Time Out Register (SSTO)

The SSTO register, shown in Table 16-6, specifies the time-out value used to signal a period of inactivity within the receive FIFO.

This is a read/write registers. Ignore reads from reserved bits. Write zeros to reserved bits.

Table 16-6. SSTO Bit Definitions

0X4140_0028								SSTO								Network SSP Serial Port																				
Bit	31	30	29	28	27	26	25	24	23	22	21	20	19	18	17	16	15	14	13	12	11	10	9	8	7	6	5	4	3	2	1	0				
	reserved							TIMEOUT																												
Reset	?	?	?	?	?	?	?	0	0	0	0	0	0	0	0	0	0	0	0	0	0	0	0	0	0	0	0	0	0	0	0	0	0			
Bits	Name		Description																																	
31:24	—		reserved																																	
23:0	TIMEOUT		TIMEOUT: Value used to set the time-out interval. When the TIMEOUT value is cleared, no time-out occurs and SSSR[TINT] is not set. The time-out interval is given by the equation: Time-out Interval = (TIMEOUT) / Peripheral Clock Frequency																																	

16.5.5 SSP Interrupt Test Register (SSITR)

SSITR, shown in Table 16-7 on page 16-25, contains bit fields used for testing purposes only.

Setting bits in this register causes the SSP controller to generate interrupts and DMA requests if enabled. This is useful in testing the port’s functionality.

Setting any of these bits also causes the corresponding status bit(s) to be set in the SSP Status Register (SSSR). The interrupt or service request caused by the setting of one of these bits remains active until the bit is cleared.

This is a read/write register. Ignore reads from reserved bits. Write zeros to reserved bits.

Table 16-7. SSITR Bit Definitions

		0x4140_000C											SSITR			Network SSP Serial Port																		
Bit		31	30	29	28	27	26	25	24	23	22	21	20	19	18	17	16	15	14	13	12	11	10	9	8	7	6	5	4	3	2	1	0	
		reserved																								TROR	TRFS	TTFS	reserved					
Reset		?	?	?	?	?	?	?	?	?	?	?	?	?	?	?	?	?	?	?	?	?	?	?	?	?	?	?	?	?	?	?	?	?
Bits	Access	Name	Description																															
31:8	—	—	reserved																															
7	R/W	TROR	TEST RECEIVE FIFO OVERRUN: 0 – No receive FIFO overrun service request is generated. 1 – Generates a non-maskable Interrupt to the CPU. No DMA request is generated.																															
6	R/W	TRFS	TEST RECEIVE FIFO SERVICE REQUEST: 0 – No receive FIFO service request is generated. 1 – Generates a non-maskable Interrupt to the CPU and a DMA request for the receive FIFO.																															
5	R/W	TTFS	TEST TRANSMIT FIFO SERVICE REQUEST: 0 – No transmit FIFO service request is generated. 1 – Generates a non-maskable Interrupt to the CPU and a DMA request for the transmit FIFO.																															
4:0	—	—	reserved																															

16.5.6 SSP Status Register (SSSR)

SSSR, shown in Table 16-8 contains bit fields that signal overrun errors and the transmit and receive FIFO service requests. Each of these hardware-detected events signals an interrupt request to the interrupt controller. The status register also contains flags that indicate:

- When the SSP is actively transmitting data
- When the transmit FIFO is not full
- When the receive FIFO is not empty

One interrupt signal is sent to the interrupt controller for each SSP. These events can cause an interrupt:

- Receiver time-out,
- Receive FIFO overrun,
- Receive FIFO request
- Transmit FIFO request.



Bits that cause an interrupt signal the request as long as the bit is set. The interrupt clears when the bits clear. Read and write bits are called status bits (status bits are referred to as sticky and once set by hardware, they must be cleared by software); Read-only bits are called flags. Writing a 1 to a status bit clears it; writing a 0 has no effect. Read-only flags are set and cleared by hardware; writes have no effect. The reset state of read-write bits is zero and all bits return to their reset state when SSCR0[SSE] is cleared. Additionally, some bits that cause interrupts have corresponding mask bits in the control registers and are indicated in the section headings that follow.

Set the desired values for this register before enabling the SSP (via SSCR0[SSE]).

These are read/write registers. Ignore reads from reserved bits. Write zeros to reserved bits.

Table 16-8. SSSR Bit Definitions (Sheet 1 of 3)

0x4140_0008										SSSR										Network SSP Serial Port													
Bit	31	30	29	28	27	26	25	24	23	22	21	20	19	18	17	16	15	14	13	12	11	10	9	8	7	6	5	4	3	2	1	0	
	reserved								BCE	CSS	TUR	reserved	TINT	reserved	RFL				TFL				ROR	RFS	TFS	BSY	RNE	TNF	reserved				
Reset	?	?	?	?	?	?	?	?	0	0	0	?	0	?	?	?	1	1	1	1	0	0	0	0	0	0	0	0	0	0	1	?	?
Bits	Name		Description																														
31:24	—		reserved																														
23	BCE		BIT COUNT ERROR: Indicates that the SSP has detected the SSPSPFRM signal asserted at an incorrect time. This bit will cause an interrupt if SSCR1[BCE] is set. The SSP will ignore the current sample and the next sample in order to re-synchronize with the master. Write one to clear this bit. 0 – SSPSPFRM has not been asserted out of synchronization. 1 – SSPSPFRM has been asserted out of synchronization.																														
22	CSS		CLOCK SYNCHRONIZATION STATUS: A read-only bit that indicates the SSP is busy synchronizing the control signals. This bit is only valid when the SSP is a slave to frame. Software must wait until this bit is a 0 before allowing an external device to assert the SSPSPFRM signal. 0 – The SSP is ready for slave operations. 1 – The SSP is busy synchronizing slave mode signals.																														
21	TUR		TRANSMIT FIFO UNDER RUN: Indicates that the transmitter tried to send data from the transmit FIFO when the transmit FIFO was empty. When set, an interrupt is generated to the CPU that cannot be locally masked by any SSP register bit. Setting TUR does not generate any DMA service request. To clear TUR, software sets it. TUR remains set until cleared by software writing a one to it which also reset its Interrupt request. Writing a zero to this bit does not affect TUR. TUR can be set only when the port is a slave to the FRAME signal (SSCR1[SFRMDIR] set) and is not set if the port is in receive-without-transmit mode (SSCR1[RWOT] set). Write one to clear this bit. 0 – Transmit FIFO has not experienced an under run 1 – Attempted read from the transmit FIFO when the FIFO was empty, request interrupt.																														
20	—		reserved																														

Table 16-8. SSSR Bit Definitions (Sheet 2 of 3)

0x4140_0008										SSSR							Network SSP Serial Port																
Bit	31	30	29	28	27	26	25	24	23	22	21	20	19	18	17	16	15	14	13	12	11	10	9	8	7	6	5	4	3	2	1	0	
	reserved									BCE	CSS	TUR	reserved	TINT	reserved	RFL				TFL				ROR	RFS	TFS	BSY	RNE	TNF	reserved			
Reset	?	?	?	?	?	?	?	?	?	0	0	0	?	0	?	?	?	1	1	1	1	0	0	0	0	0	0	0	0	0	1	?	?
Bits	Name		Description																														
19	TINT		<p>RECEIVER TIME-OUT INTERRUPT:</p> <p>Indicates that the receive FIFO has been idle (no samples received) for the period of time defined by the value programmed within SSTO. This interrupt can be masked by SSCR1[TINTE].</p> <p>Write one to clear this bit.</p> <p>0 – No Receiver Time-out pending 1 – Receiver Time-out pending</p>																														
18:16	—		reserved																														
15:12	RFL		<p>RECEIVE FIFO LEVEL:</p> <p>The number of valid entries (minus 1) currently in the receive FIFO. When the value of 0xF is read, the FIFO is either empty or full and programmers must refer to RNE.</p>																														
11:8	TFL		<p>TRANSMIT FIFO LEVEL:</p> <p>Number of valid entries (minus 1) currently in the transmit FIFO. When the value of 0x0 is read, the FIFO is either empty or full and programmers must refer to TNF.</p>																														
7	ROR		<p>RECEIVE FIFO OVERRUN:</p> <p>Indicates that the Receive logic attempted to place data into the receive FIFO after it had been completely filled. When new data is received, ROR is asserted and the newly received data is discarded. This process is repeated for all new data received until at least one empty FIFO entry exists.</p> <p>When set, an interrupt is generated to the CPU that cannot be locally masked by any SSP register bit. The setting of ROR does not generate any DMA service request. Clearing this bit resets its interrupt request.</p> <p>Write one to clear this bit.</p> <p>0 – Receive FIFO has not experienced an overrun 1 – Attempted data write to full receive FIFO, request Interrupt</p>																														
6	RFS		<p>RECEIVE FIFO SERVICE REQUEST:</p> <p>Indicates that the receive FIFO requires service to prevent an overrun. RFS is set when the number of valid entries in the receive FIFO is equal to or greater than the receive FIFO trigger threshold. It is cleared when it has fewer entries than the trigger threshold value. When RFS is set, an Interrupt is generated when SSCR1[RIE] is set. Setting RFS signals a DMA service request if SSCR1[RSRE] is set. After the CPU or DMA reads the FIFO such that it has fewer entries than the value of SSCR1[RFT], RFS (and the service request or interrupt) is automatically cleared. SSCR1[RSRE] and SSCR1[RIE] must not both be set.</p> <p>0 – Receive FIFO level exceeds RFT trigger threshold or the SSP is disabled 1 – Receive FIFO level is at or above RFT trigger threshold, request Interrupt</p>																														

Table 16-8. SSSR Bit Definitions (Sheet 3 of 3)

0x4140_0008																SSSR								Network SSP Serial Port								
Bit	31	30	29	28	27	26	25	24	23	22	21	20	19	18	17	16	15	14	13	12	11	10	9	8	7	6	5	4	3	2	1	0
	reserved								BCE	CSS	TUR	reserved	TINT	reserved	RFL				TFL				ROR	RFS	TFS	BSY	RNE	TNF	reserved			
Reset	?	?	?	?	?	?	?	?	0	0	0	?	0	?	?	?	1	1	1	1	0	0	0	0	0	0	0	0	0	1	?	?
Bits	Name		Description																													
5	TFS		<p>TRANSMIT FIFO SERVICE REQUEST:</p> <p>Indicates that the transmit FIFO requires service to prevent an underrun. TFS is set when the number of valid entries in the transmit FIFO is equal to or lesser than the transmit FIFO trigger threshold. It is cleared when it has fewer entries than the trigger threshold value. When TFS is set, an Interrupt is generated when SSCR1[TIE] is set. Setting TFS signals a DMA service request if SSCR1[TSRE] is set. After the CPU or DMA fills the FIFO such that it has at least as many entries as the value of SSCR1[TFT], TFS (and the service request or interrupt) is automatically cleared. SSCR1[TSRE] and SSCR1[TIE] must not both be set.</p> <p>0 – Transmit FIFO level exceeds TFT trigger threshold or the SSP is disabled 1 – Transmit FIFO level is at or below TFT trigger threshold, request Interrupt</p>																													
4	BSY		<p>SSP BUSY:</p> <p>Indicates that the port is actively transmitting or receiving data and is cleared when the port is idle or disabled. This bit does not generate an Interrupt. Software must wait for the Tx Fifo to empty first and then wait for the BSY bit to be cleared at the end of a data transfer.</p> <p>0 – SSP is idle or disabled 1 – SSP currently transmitting or receiving a frame</p>																													
3	RNE		<p>RECEIVE FIFO NOT EMPTY:</p> <p>Indicates that the receive FIFO contains one or more entries of valid data. It is cleared when it no longer contains any valid data. This bit does not generate an Interrupt.</p> <p>When using programmed I/O, this bit can be polled to remove remaining bytes of data from the receive FIFO since CPU Interrupt requests are made only when the receive FIFO trigger threshold has been met or exceeded.</p> <p>0 – Receive FIFO is empty. 1 – Receive FIFO is not empty.</p>																													
2	TNF		<p>TRANSMIT FIFO NOT FULL:</p> <p>Indicates that the transmit FIFO contains one or more entries that do not contain valid data. TNF is cleared when the FIFO is completely full. This bit does not generate an Interrupt.</p> <p>When using programmed I/O, this bit can be polled to fill the transmit FIFO over its trigger threshold.</p> <p>0 – Transmit FIFO is full 1 – Transmit FIFO is not full</p>																													
1:0	—		reserved																													

16.5.7 SSP Data Register (SSDR)

SSDR, shown in Table 16-9, is a single address location that read and write data transfers access. SSSDR represents two physical registers: the first is temporary storage for data on its way out through the transmit FIFO. The other register is temporary storage for data coming in through the receive FIFO.

As the system accesses the register, FIFO control logic transfers data automatically between the registers and FIFOs as fast as the system moves it. Unless attempting a write to a full transmit FIFO, data in the FIFO shifts up or down to accommodate the new word(s). Status bits show users whether the FIFO is full, above the programmable trigger threshold, below the programmable trigger threshold or empty.

For transmit data transfers, the register can be written by the system processor anytime it falls below its trigger threshold when using programmed I/O.

When a data size of less than 32-bits is selected, do not left-justify data written to the transmit FIFO. Transmit logic left-justifies the data and ignores any unused bits. Received data of less than 32-bits is automatically right-justified in the receive FIFO.

When the SSP is programmed for the Microwire* protocol and the size of the Transmit data is eight bits (SSCR1[MWDS] cleared), the most significant bits are ignored. Similarly, if the size for the Transmit data is 16 bits (SSCR1[MWDS] set), the most significant 16 bits are ignored. SSCR0[DSS] controls the Receive data size.

Both FIFOs are cleared when the port is reset, or by clearing SSCR0[SSE].

This is a read/write register. Ignore reads from reserved bits. Write zeros to reserved bits.

Table 16-9. SDDR Bit Definitions

	0x4140_0010																SDDR																Network SSP Serial Port															
Bit	31	30	29	28	27	26	25	24	23	22	21	20	19	18	17	16	15	14	13	12	11	10	9	8	7	6	5	4	3	2	1	0																
	DATA																																															
Reset	?	?	?	?	?	?	?	?	?	?	?	?	?	?	?	?	?	?	?	?	?	?	?	?	?	?	?	?	?	?	?	?	?															
	Bits		Name		Description																																											
	31:0		DATA		TRANSMIT/RECEIVE DATA: Data word to be written to/read from Transmit/receive FIFO																																											

16.6 Network SSP Serial Port Register Summary

Table 16-10 shows the registers associated with the NSSP and their physical addresses.

Table 16-10. NSSP Register Address Map

Physical Address	Name	Description
0x4140_0000	NSSCR0	NSSP Control register 0
0x4140_0004	NSSCR1	NSSP Control register 1
0x4140_0008	NSSSR	NSSP Status register
0x4140_000C	NSSITR	NSSP Interrupt Test register
0x4140_0010	NSSDR	NSSP Data Write Register / Data Read register
0x4140_0028	NSSTO	NSSP Time Out register
0x4140_002C	NSSPSP	NSSP Programmable Serial Protocol



This chapter describes the signal definitions and operations of the PXA255 processor hardware UART (HWUART) port.

The HWUART interface pins are available via either the PCMCIA general purpose I/O (GPIO) pins or the BTUART pins. Refer to [Section 4.1.2, “GPIO Alternate Functions”](#) for more information. When using the HWUART through the PCMCIA pins, they are driven at the same voltage level as the memory interface. Because the PCMCIA signal nPWE is used for variable-latency input / output (VLIO), VLIO cannot be used while the HWUART interface is using the PCMCIA pins.

The HWUART is configured differently than the other UARTs. The HWUART supports full hardware flow control.

17.1 Overview

The HWUART contains a UART and a slow infrared transmit encoder and receive decoder that conforms to the IrDA Serial Infrared (SIR) Physical Layer Link Specification.

The UART performs serial-to-parallel conversion on data characters received from a peripheral device or a modem and parallel-to-serial conversion on data characters received from the processor. The processor can read the UART's complete status during functional operation. Status information includes the type and condition of transfer operations and error conditions (parity, overrun, framing, or break interrupt) associated with the UART.

The HWUART operates in FIFO or non-FIFO mode. In FIFO mode, a 64-byte transmit FIFO holds data from the processor until it is transmitted on the serial link and a 64-byte receive FIFO buffers data from the serial link until it is read by the processor. In non-FIFO mode, the transmit and receive FIFOs are bypassed.

The HWUART can also use direct memory access (DMA) to transfer data to and from the HWUART.

17.2 Features

Software can program interrupts to meet its requirements. This minimizes the number of computations required to handle the communications link. The UART operates in an environment that is controlled by software and can be polled or is interrupt driven. The HWUART has these features:

- Functionally compatible with the 16550A and 16750 UART specifications. The UART supports not only the 16550A and 16750 industry standards but these additional functions as well:
 - DMA requests for transmit and receive data services
 - Slow infrared asynchronous interface

- Non-Return-to-Zero (NRZ) encoding/decoding function
- 64 byte transmit/receive FIFO buffers
- Programmable receive FIFO trigger threshold
- Auto baud-rate detection
- Auto flow
- Maximum baud rate of 921,600 bps.
- Ability to add or delete standard asynchronous communications bits (start, stop, and parity) in the serial data
- Independently controlled transmit, receive, line status, and data set interrupts
- Programmable baud rate generator that allows the internal clock to be divided by 1 to $2^{16}-1$ to generate an internal 16X clock. This clock can be used to drive the internal transmitter and receiver logic.
- Modem control functions – clear to send (nCTS) and request to send (nRTS)
- Autoflow capability controls data I/O without generating interrupts:
 - nRTS (output) controlled by UART receiver FIFO
 - nCTS (input) from modem controls UART transmitter
- Fully programmable serial-interface:
 - 5-, 6-, 7-, or 8-bit characters
 - Even, odd, and no parity detection
 - 1, 1.5, or 2 stop bit generation
 - Baud rate generation up to 921 Kbps
 - False start bit detection.
- 64-byte transmit FIFO
- 64-byte receive FIFO
- Complete status reporting capability
- Ability to generate and detect line breaks
- Internal diagnostic capabilities that include:
 - Loopback controls for communications link fault isolation
 - Break, parity, and framing error simulation
- Fully prioritized interrupt system controls
- Separate DMA requests for transmit and receive data services
- Slow infrared asynchronous interface that conforms to the Infrared Data Association (IrDA) standard

17.3 Signal Descriptions

Table 17-1 lists and describes each external signal that is connected to the UART module. The pins are connected to the PXA255 processor through GPIOs.

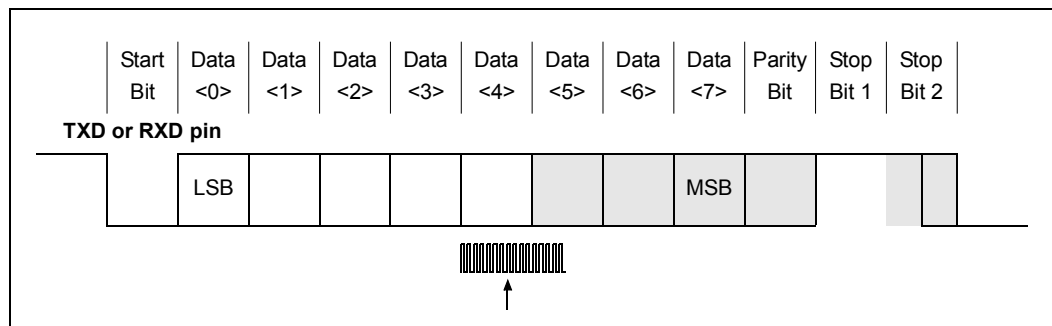
Table 17-1. UART Signal Descriptions

Name	Type	Description
RXD	Input	SERIAL INPUT – Serial data input to the receive shift register. In infrared mode, it is connected to the infrared receiver input.
TXD	Output	SERIAL OUTPUT – Serial data output to the communications link-peripheral, modem, or data set. The TXD signal is set to the logic 1 state upon a Reset operation. It is connected to the output of the infrared transmitter in infrared mode.
nCTS	Input	<p>CLEAR TO SEND – When low, indicates that the modem or data set is ready to exchange data.</p> <p>Non-Autoflow Mode: When not in autoflow mode, bit 4 (CTS) of the Modem Status register (MSR) indicates the state of nCTS. Bit 4 is the complement of the nCTS signal. Bit 0 (DCTS) of the Modem Status register indicates whether the nCTS input has changed state since the previous reading of the Modem Status register. When the CTS bit of the MSR changes state and the modem status interrupt is enabled, an interrupt is generated. nCTS has no effect on the transmitter. The user can program the UART to interrupt the processor when DCTS changes state. The programmer can then stall the outgoing data stream by starving the transmit FIFO or disabling the UART with the Interrupt Enable register (IER).</p> <p>NOTE: If UART transmission is stalled by disabling the UART, the user will not receive an MSR interrupt when nCTS reasserts. This is because disabling the UART also disables interrupts. To get around this, either use Auto CTS in Autoflow Mode, or program the nCTS GPIO pin to interrupt.</p> <p>Autoflow Mode: In autoflow mode, the UART transmit circuitry checks the state of nCTS before transmitting each byte. If nCTS is high, no data is transmitted.</p>
nRTS	Output	<p>REQUEST TO SEND – When low, signals the modem or the data set that the UART is ready to exchange data.</p> <p>Non-Autoflow Mode: The nRTS output signal can be asserted by setting bit 1 (RTS) of the Modem Control register to 1. The RTS bit is the complement of the nRTS signal.</p> <p>Autoflow Mode: nRTS is automatically asserted by the autoflow circuitry when the receive buffer exceeds its programmed trigger threshold. It is deasserted when enough bytes are removed from the buffer to lower the data level back to the trigger threshold.</p>

17.4 Operation

The format of a UART data frame is shown in Figure 17-1.

Figure 17-1. Example UART Data Frame



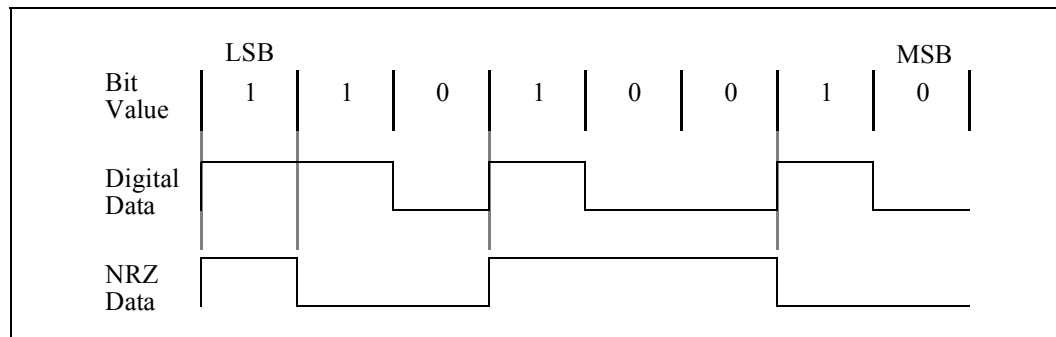
Receive data sample counter frequency is 16 times the value of the bit frequency. The 16X clock is created by the baud rate generator. Each bit is sampled three times in the middle. Shaded bits in Figure 17-1 are optional and can be programmed by software.

Each data frame is between seven and 12 bits long, depending on the size of the data programmed, whether parity is enabled, and the number of stop bits. A data frame begins by transmitting a start bit that is represented by a high to low transition. The start bit is followed by data that is five to eight bits wide and begins with the least significant bit (LSB). The data bits are followed by an optional parity bit. The parity bit is set if even parity is enabled and the data byte has an odd number of ones or if odd parity is enabled and the data byte has an even number of ones. The data frame ends with one, one and a half, or two stop bits, as programmed by software. The stop bits are represented by one, one and a half, or two successive bit periods of a logic one.

The UART has two FIFOs: one transmit and one receive. The transmit FIFO is 64 bytes deep and eight bits wide. The receive FIFO is 64 bytes deep and 11 bits wide. Three bits are used for tracking errors.

The UART can use NRZ coding to represent individual bit values. NRZ coding is enabled when Interrupt Enable register (IER) bit 5 (IER[5]) is set to high. A one is represented by a line transition and a zero is represented by no line transition. Figure 17-2 shows the data byte 0b 0100 1011 in NRZ coding. The LSB is transmitted first.

Figure 17-2. Example NRZ Bit Encoding – (0b0100 1011)



17.4.1 Reset

The UART is disabled on reset. To enable the UART, use software to program the GPIO registers then set IER[UUE]. When the UART is enabled, the receiver waits for a frame start bit and the transmitter sends data if it is available in the Transmit Holding register. Transmit data can be written to the Transmit Holding register before the UART is enabled. In FIFO mode, data is transmitted from the FIFO to the Transmit Holding register before it goes to the pin.

When the UART unit is disabled, the transmitter or receiver finishes the current byte and stops transmitting or receiving data. When the UART is enabled, data in the FIFO is not cleared and transmission resumes.

17.4.2 FIFO Operation

The UART has a transmit FIFO and a receive FIFO each holding 64 characters of data. There are three separate methods for moving data into and out of the FIFOs: interrupts, polling, and DMA.

17.4.2.1 FIFO Interrupt Mode Operation

17.4.2.1.1 Receive Interrupt

For a receive interrupt to occur, the receive FIFO and receive interrupts must be enabled. The Interrupt Identification register (IIR) bits 1 and 2 (IIR[IID]) change to show that receive data is available when the FIFO reaches its trigger threshold. IIR[IID] changes to show the next waiting interrupt when the FIFO drops below the trigger threshold. A change in IIR[IID] triggers an interrupt to the core. Software reads IIR[IID] to determine the cause of the interrupt.

The receiver line status interrupt (IIR = 0xC6) has the highest priority and the received data available interrupt (IIR = 0xC4) is lower. The line status interrupt occurs only when the character at the front of the FIFO has errors.

The data ready bit (DR in the Line Status register) is set when a character is transferred from the shift register to the receive FIFO. The DR bit is cleared when the FIFO is empty.

17.4.2.1.2 Character Timeout Interrupt

A character timeout interrupt occurs when the receive FIFO and receive timeout interrupt are enabled and these conditions exist:

- At least one character is in the FIFO.
- The most recently received character was received more than four continuous character times ago. If two stop bits are programmed, the second is included in this interval.
- The most recent FIFO read was performed more than four continuous character times ago.

After the processor reads one character from the receive FIFO or a new start bit is received, the timeout interrupt is cleared and the timeout is reset. If a timeout interrupt has not occurred, the timeout is reset when a new character is received or the processor reads the receive FIFO.

17.4.2.1.3 Transmit Interrupt

Transmit interrupts can only occur when the transmit FIFO and transmit interrupt are enabled. The transmit data request interrupt occurs when the transmit FIFO is at least half empty. The interrupt is cleared when the Transmit Holding register (THR) is written or the IIR is read.

17.4.2.2 FIFO Polled Mode Operation

When the FIFOs are enabled, clearing both IER[DMAE] and IER[4:0] places the serial port in FIFO polled operating mode. The receiver and the transmitter are controlled separately. Either one or both can be in polled mode. In polled mode, software checks receiver and transmitter status via the Line Status register (LSR). The processor polls the following bits for receive and transmit data service:

- **Receive Data Service** – The processor checks the data ready (LSR[DR]) bit which is set when one or more bytes remain in the receive FIFO or Receive Buffer register (RBR).
- **Transmit Data Service** – The processor checks the transmit data request (LSR[TDRQ]) bit which is set when transmitter needs data.

The processor can also check the transmitter empty (LSR[TEMT]) bit, which is set when the transmit FIFO and Transmit Holding register are empty.

17.4.2.3 FIFO DMA Mode Operation

The UART has two DMA requests: one for transmit data service, and one for receive data service. DMA requests are generated in FIFO mode only. The requests are activated by setting IER[DMAE].

- **Data Transmit Data Service** – When IER[DMAE] is set, if the transmit FIFO is less than half full, the transmit-DMA request is generated. The DMA controller then writes data to the FIFO. For each DMA request, the DMA controller can send 8, 16, or 32 bytes of data to the FIFO. The actual number of bytes to be transmitted is programmed in the DMA controller.
- **Data Receive Data Service** – When IER[DMAE] is set, the receive-DMA request is generated when the receive FIFO reaches its trigger threshold with no errors in its entries. The DMA controller then reads data from the FIFO. For each DMA request, the DMA controller can read 8, 16, or 32 bytes of data from the FIFO. The actual number of bytes to be read is programmed in the DMA controller along with the bus width.

17.4.2.4 DMA Receive Programming Errors

If the DMA channel stops prematurely, because it encounters the end of a descriptor chain or other error, the processor must be notified, since the DMA controller can no longer service the UARTs FIFOs. If this occurs, the processor must correct the situation by programming another descriptor or by servicing the FIFOs via interrupt or polling modes as previously described. The DMA must set DCSR[StopIrqEn] to generate an interrupt if a stopped channel occurs.

17.4.2.5 DMA Error Handling

An error interrupt is used when DMA requests are enabled. The interrupt is generated when LSR bit 7 is set to 1. This happens when a receive DMA request is not generated and the receive FIFO has an error. The error interrupt tells the processor to handle the data in the receive FIFO through programmed I/O. The error interrupt is enabled when DMA requests are enabled and cannot be masked. Receiver line status interrupts occur when the error is at the front of the FIFO.

Note: When DMA requests are enabled and an interrupt occurs, software must first read the LSR to verify an error interrupt exists, then check the IIR for the source of the interrupt. If an interrupt occurs and LSR[FIFOE] is clear, software must read the ISR to determine the error condition. When the last error byte is read from the FIFO, DMA requests are automatically enabled. Software is not required to check for the error interrupt if DMA requests are disabled. Error interrupts only occur when DMA requests are enabled.

If an error occurs while in DMA mode:

- receive-DMA requests are disabled
- error interrupt IIR[IID] is generated

The processor must now read the error bytes through programmed I/O. When all errors have been removed from the FIFO, the receive DMA requests are once again enabled automatically by the UART.

If an error occurs when the receive FIFO trigger threshold has been reached, such that a receive DMA request is set, users need to wait for the DMA to finish the transfer before reading out the error bytes through programmed I/O. If not, FIFO underflow could occur.

Note: Ensure that the DMA controller has completed the previous receive DMA requests before the error interrupt handler begins to clear the errors from the FIFO. If not, FIFO underflow could occur.

17.4.2.6 Removing Trailing Bytes In DMA Mode

When the number of entries in the receive FIFO is less than its trigger threshold, and no additional data is received, the remaining bytes are called trailing bytes. The remaining bytes must then be removed via the processor as described in [Section 17.4.2.1](#).

17.4.3 Autoflow Control

Autoflow control uses the clear to send (nCTS) and request to send (nRTS) signals to automatically control the flow of data between the UART and external modem. When autoflow is enabled, the remote device is not allowed to send data unless the UART asserts nRTS low. If the UART deasserts nRTS while the remote device is sending data, the remote device is allowed to send one additional byte after nRTS is deasserted. An overflow could occur if the remote device violates this rule. Likewise, the UART is not allowed to transmit data unless the remote device asserts nCTS low. This feature increases system efficiency and eliminates the possibility of a receive FIFO overflow error due to long interrupt latency.

Autoflow mode can be used in two ways: full autoflow, automating both nCTS and nRTS; and half autoflow, automating only nCTS. Full autoflow is enabled by setting MCR[AFE] and MCR[RTS] to 1. Auto-nCTS-only mode is enabled by setting MCR[AFE] and clearing MCR[RTS].

When in full autoflow mode, nRTS is asserted when the UART FIFO is ready to receive data from the remote transmitter. This occurs when the amount of data in the receive FIFO is below the programmable trigger threshold value. When the amount of data in the receive FIFO reaches the programmable trigger threshold, nRTS is deasserted. It is asserted once again when enough bytes are removed from the FIFO to lower the data level below the trigger threshold.

When in full or half-autoflow mode, nCTS is asserted by the remote receiver when the receiver is ready to receive data from the UART. The UART checks nCTS before sending the next byte of data and will not transmit the byte until nCTS is low. If nCTS goes high while the transfer of a byte is in progress, the transmitter sends the byte.

Note: Autoflow mode can be used only in conjunction with FIFO mode.

17.4.4 Auto-Baud-Rate Detection

The HWUART supports auto-baud-rate detection. When enabled, the UART counts the number of 14.7456 MHz clock cycles within the start-bit pulse. This number is then written into the Auto-Baud-Count register (ACR, see [Table 17-13](#)) and is used to calculate the baud rate. When the ACR is written, a auto-baud-lock interrupt is generated (if enabled), and the UART automatically programs the Divisor Latch registers ([Section 17.5.3](#)) with the appropriate baud rate. If preferred, the processor can read the ACR and use this information to program the Divisor-Latch registers with a baud rate calculated by the processor. After the baud rate has been programmed, it is the responsibility of the processor to verify that the predetermined characters (usually **AT** or **at**) are being received correctly. For the autobaud rate detection circuit to work correctly, the first data bit transmitted after the start bit must be a logic '1'. If a logic '0' is transmitted, the auto-baud circuit counts the zero as part of the start bit, resulting in an incorrect baud rate being programmed into the Divisor Latch Register Low (DLL) and Divisor Latch Register High (DLH) registers.

If the UART is to program the Divisor Latch registers, you can choose one of two methods for auto-baud calculation: table-based and formula-based. Set Auto-Baud Control register (ABR), bit 3 (ABR[ABT]) to select which method you want to use (refer to [Section 17.5.8](#)). When the formula method is used, any baud rate defined by the parameters in [Section 17.5.3](#) can be programmed by the UART. The formula method works well for higher baud rates, but could possibly fail below 28.8 kbps if the remote transmitter's actual baud rate differs by more than one percent of its target. The table method is more immune to such errors as the table rejects uncommon baud rates and rounds to the common ones. The table method allows any baud rate defined by the formula in [Section 17.5.3](#) above 28.8 kbps. Below 28.8 kbps the only baud rates which can be programmed by the UART are 19200, 14400, 9600, 4800, 1200, and 300 baud.

When the baud rate is detected, the auto-baud circuitry disables itself by clearing ABR, bit 0 (ABR[ABE]). If users want to re-enable auto-baud detection, ABR[ABE] must be set.

Note: Auto-baud rate detection is not supported with IrDA (slow infrared) mode.

See [Section 17.5.8](#) for more information on auto-baud.

17.4.5 Slow Infrared Asynchronous Interface

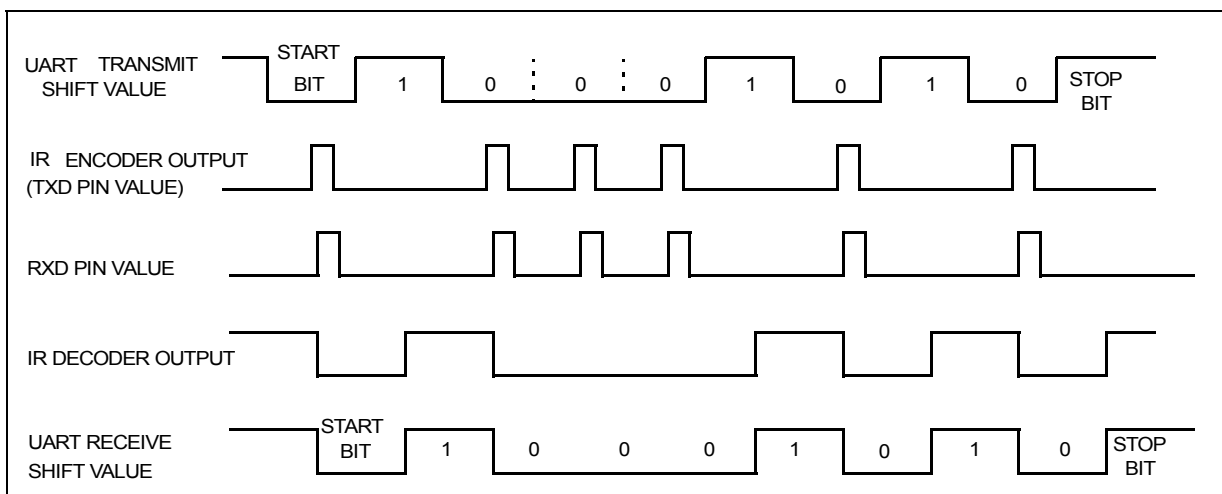
The Slow Infrared (SIR) interface supports two-way wireless communication that uses infrared transmission. The SIR provides a transmit encoder and receive decoder to support a physical link that conforms to the Infrared Data Association, *Serial Infrared Physical Layer Link Specification*, October 17, 1995, Version 1.1.

The SIR interface does not contain the actual IR LED driver or the receiver amplifier. The I/O pins attached to the SIR only have digital CMOS level signals. The SIR supports two-way communication, but full duplex communication is not possible because reflections from the transmit LED enter the receiver. The SIR interface supports frequencies up to 115.2 Kbps. Because the input clock is 14.7456 MHz, the baud divisor must be eight or more.

17.4.5.1 Operation

The SIR modulation technique works with 5-, 6-, 7-, or 8-bit characters with an optional parity bit. The data is preceded by a zero value start bit and ends with one or more stop bits. The encoding scheme is to set a pulse 3/16 of a bit wide in the middle of every zero bit and send no pulses for bits that are ones. The pulse for each zero bit must occur, even for consecutive bits with no edge between them.

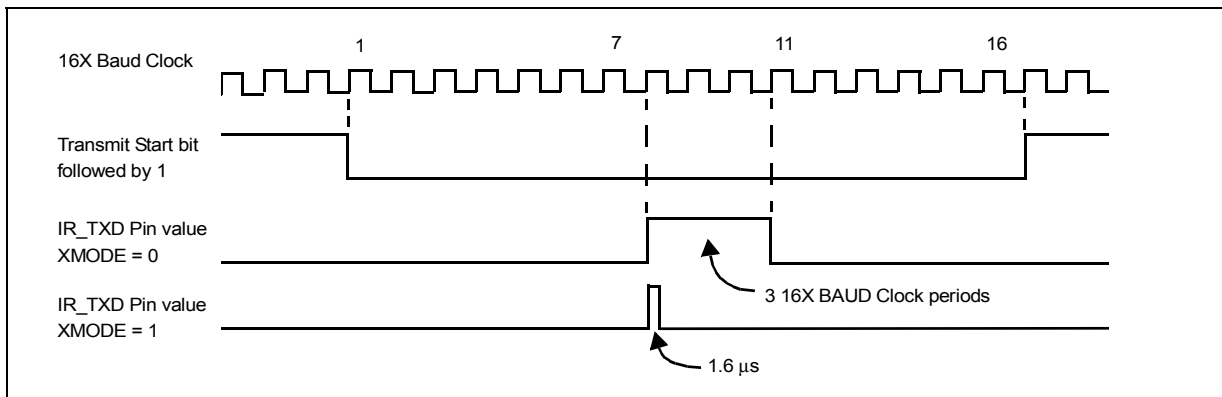
Figure 17-3. IR Transmit and Receive Example



The top line in [Figure 17-3](#) shows an asynchronous transmission as it is sent from the UART. The second line shows the pulses generated by the IR encoder at the TXD pin. A pulse is generated in the middle of the START bit and any data bit that is a zero. The third line shows the values received at the RXD input pin. The fourth line shows the receive decoder's output. The receive decoder drives the receiver data line low when it detects a pulse. The bottom line shows how the UART's receiver interprets the decoder's action. This last line is the same as the first, but it is shifted half a bit period.

When XMODE is cleared, each zero bit has a pulse width of 3/16 of a bit time. When XMODE is set, a pulse of 1.6 μ s is generated in the middle of each zero bit. The shorter infrared pulse generated when XMODE is set reduces the LED's power consumption. At 2400 bps, the LED is normally on for 78 μ s for each zero bit that is transmitted. When XMODE is set, the LED is on only 1.6 μ s (as show in [Figure 17-4](#)).

Figure 17-4. XMODE Example.



To prevent transmitter LED reflection feed back to the receiver, disable the IR receiver decoder when the IR transmit encoder transmits data and disables the IR transmit encoder when the IR receiver decoder receives data. The RCVEIR and XMITIR bits in the Infrared Selection Register (ISR) must not be set at the same time (refer to [Section 17.5.15](#)).

17.5 Register Descriptions

17.5.1 Receive Buffer Register (RBR)

In non-FIFO mode, the RBR, shown in [Table 17-2](#), holds the character(s) received by the UART’s Receive Shift Register. If the RBR is configured to use fewer than eight bits, the bits are right-justified and the most significant bits (MSB) are zeroed. Reading the register empties the register and clears LSR[DR] (refer to [Section 17.5.11, “Line Status Register \(LSR\)”](#) on page 17-19).

In FIFO mode, the RBR latches the value of the data byte at the front of the FIFO (see [Table 17-2](#)).

This is a write-only register. Write zeros to reserve bits.

Table 17-2. RBR Bit Definitions

Physical Address 0x4160_0000 (DLAB=0)		Read Buffer Register (RBR)	PXA255 Processor Hardware UART
Bit	31 30 29 28 27 26 25 24 23 22 21 20 19 18 17 16 15 14 13 12 11 10 9 8 7 6 5 4 3 2 1 0		
	reserved		Byte 0
	Bits	Name	Description
	31:8	—	reserved
	7:0	Byte 0	Byte 0

17.5.2 Transmit Holding Register (THR)

In non-FIFO mode, the THR, shown in [Table 17-3](#), holds the next data byte(s) to be transmitted. When the transmit shift register (TSR) is emptied, the contents of the THR are loaded in the TSR and the LSR[TDRQ] is set to 1 (refer to [Section 17.5.15](#)).

In FIFO mode, a write to the THR puts data into the end of the FIFO. The data at the front of the FIFO is loaded to the TSR when that register is empty.

This is a write-only register. Write zeros to reserve bits.

Table 17-3. THR Bit Definitions

Physical Address 0x4160_0000 (DLAB=0)		Transmit Holding Register (THR)	PXA255 Processor Hardware UART
Bit	31 30 29 28 27 26 25 24 23 22 21 20 19 18 17 16 15 14 13 12 11 10 9 8 7 6 5 4 3 2 1 0		
	reserved		Byte 0
Reset	?	?	?
	Bits	Name	Description
	31:8	—	reserved
	7:0	Byte 0	Byte 0

17.5.3 Divisor Latch Registers (DLL and DLH)

The HWUART contains a programmable baud rate generator that can take the 14.7456 MHz fixed input clock and divide it by a number that is between 1 and 2¹⁶–1. The baud rate generator output frequency is 16 times the baud rate. Two 8-bit latches store the divisor in a 16-bit binary format.

Load these divisor latches during initialization to ensure that the baud rate generator operates properly. If each divisor latch is loaded with a 0, the 16X clock stops. The divisor latches are accessed with a word write.

The baud rate of the data shifted in to or out of a UART is given by the formula:

$$\mathbf{BaudRate} = \frac{14.7456 \text{ MHz}}{(16 \times \mathbf{Divisor})}$$

For example, if the divisor is 24, the baud rate is 38400 bps.

The divisor's reset value is 0x0002.

Table 17-4 and Table 17-5 describe the DLL and DLH registers.

These are read/write registers. Ignore reads from reserved bits. Write zeros to reserved bits.

Table 17-4. DLL Bit Definitions

Physical Address 0x4160_0000 (DLAB=1)		Divisor Latch Register Low (DLL)	PXA255 Processor Hardware UART																
Bit	31 30 29 28 27 26 25 24 23 22 21 20 19 18 17 16 15 14 13 12 11 10 9 8 7 6 5 4 3 2 1 0																		
	reserved											DLL							
Reset	? ?	0								0 0 0 0 0 0 1 0									
Bits	Name	Description																	
31:8	—	reserved																	
7:0	DLL	Low byte compare value to generate baud rate																	

Table 17-5. Divisor Latch Register High (DLH) Bit Definitions

Physical Address 0x4160_0004 (DLAB=1)		Divisor Latch Register High (DLH)	PXA255 Processor Hardware UART																
Bit	31 30 29 28 27 26 25 24 23 22 21 20 19 18 17 16 15 14 13 12 11 10 9 8 7 6 5 4 3 2 1 0																		
	reserved											DLH							
Reset	? ?	0								0 0 0 0 0 0 0 0									
Bits	Name	Description																	
31:8	—	reserved																	
7:0	DLH	High byte compare value to generate baud rate																	

17.5.4 Interrupt Enable Register (IER)

The IER, shown in Table 17-6, enables the five types of interrupts that set a value in the Interrupt Identification register (IIR) (refer to Section 17.5.5). To disable an interrupt, software must clear the appropriate bit in the IER. Software can enable some interrupts by setting the appropriate bit.

The character timeout indication interrupt is separated from the received data available interrupt to ensure that the processor and the DMA controller do not service the receive FIFO at the same time. When a character timeout indication interrupt occurs, the processor must handle the data in the receive FIFO through programmed I/O.

Enabling DMA requests also enables a separate error interrupt. For additional information see [Section 17.4.2.5](#).

Set bit 7 of the IER to enable DMA requests. The IER also contains the unit enable and NRZ coding enable control bits. Bits 7 through 4 are used differently from the standard 16550A register definition.

Note: MCR[OUT2] is a global interrupt enable, and must be set to enable UART interrupts.

Note: To ensure that the DMA controller and programmed I/O do not access the same FIFO, software must not set DMAE (bit 7) while TIE (bit 1) or RAVIE (bit 0) are set to 1.

This is a read/write register. Ignore reads from reserved bits. Write zeros to reserved bits.

Table 17-6. IER Bit Definitions

	Physical Address 0x4160_0004		Interrupt Enable Register (IER)																PXA255 Processor Hardware UART														
Bit	31	30	29	28	27	26	25	24	23	22	21	20	19	18	17	16	15	14	13	12	11	10	9	8	7	6	5	4	3	2	1	0	
	reserved																								DMAE	UUE	NRZE	RTOIE	MIE	RLSE	TIE	RAVIE	
Reset	?	?	?	?	?	?	?	?	?	?	?	?	?	?	?	?	?	?	?	?	?	?	?	?	?	0	0	0	0	0	0	0	0
Bits	Name		Description																														
31:8	—		reserved																														
7	DMAE		DMA REQUESTS ENABLE: 0 = DMA requests are disabled 1 = DMA requests are enabled																														
6	UUE		UART Unit Enable: 0 = the unit is disabled 1 = the unit is enabled																														
5	NRZE		NRZ CODING ENABLE. NRZ encoding/decoding is only used in UART mode, not in infrared mode. If the slow infrared receiver or transmitter is enabled, NRZ coding is disabled. 0 = NRZ coding disabled 1 = NRZ coding enabled																														
4	RTOIE		RECEIVER TIME OUT INTERRUPT ENABLE (Source IIR[TOD]): 0 = Receiver data Time out Interrupt disabled 1 = Receiver data Time out Interrupt enabled																														
3	MIE		MODEM INTERRUPT ENABLE (Source IIR[IID]): 0 = Modem Status Interrupt disabled 1 = Modem Status Interrupt enabled																														
2	RLSE		RECEIVER LINE STATUS INTERRUPT ENABLE (Source IIR[IID]): 0 = Receiver Line Status Interrupt disabled 1 = Receiver Line Status Interrupt enabled																														
1	TIE		TRANSMIT DATA REQUEST INTERRUPT ENABLE (Source IIR[IID]): 0 = Transmit FIFO Data Request Interrupt disabled 1 = Transmit FIFO Data Request Interrupt enabled																														
0	RAVIE		RECEIVER DATA AVAILABLE INTERRUPT ENABLE (Source IIR[IID]): 0 = Receiver Data Available (trigger threshold reached) Interrupt disabled 1 = Receiver Data Available (trigger threshold reached) Interrupt enabled																														

17.5.5 Interrupt Identification Register (IIR)

The UART prioritizes interrupts in four levels (see Table 17-7) and records them in the IIR. The IIR stores information that indicates that a prioritized interrupt is pending and identifies the source of the interrupt. The Interrupt Identification Register (IIR) bit definitions are shown in Table 17-8.

If additional data is received before a receiver time out interrupt is serviced, the interrupt is deasserted.

Read IIR to determine the type and source of UART interrupts. To be 16550 compatible, the lower 4 bits of the IIR are priority encoded, shown in Table 17-9. If two or more interrupts represented by these bits occur, only the interrupt with the highest priority is displayed. The autobaud lock interrupt is not priority encoded. It asserts/deasserts independently of the lower 4 bits.

IIR[nIP] indicates the existence of an interrupt in the lower four bits of the IIR. A low signal on this bit indicates an encoded interrupt is pending. If this bit is high, no encoded interrupt is pending, regardless of the state of the other 3 bits. nIP has no effect or association with IIR[ABL], which asserts/deasserts independently of nIP.

Table 17-7. Interrupt Conditions

Priority Level	Interrupt origin
1 (highest)	Receiver line status – One or more error bits were set.
2	Received data is available. In FIFO mode, trigger threshold was reached. In non-FIFO mode, RBR has data.
2	Receiver timeout occurred. Occurs only in FIFO mode, when data is in the receive FIFO but no data has been sent for a set time period.
3	Transmitter requests data. In FIFO mode, the transmit FIFO is at least half empty. In non-FIFO mode, the THR has been transmitted.
4 (lowest)	Modem status – One or more modem input signal has changed state.

This is a read-only register. Ignore reads from reserved bits.

Table 17-8. IIR Bit Definitions (Sheet 1 of 2)

	Physical Address 0x4160_0008	Interrupt Identification Register (IIR)	PXA255 Processor Hardware UART																											
Bit	31 30 29 28 27 26 25 24 23 22 21 20 19 18 17 16 15 14 13 12 11 10 9 8 7 6 5 4 3 2 1 0																													
	reserved						FIFOES	reserved	ABL	TOD	IID	nIP																		
Reset	?	?	?	?	?	?	?	?	?	?	?	?	?	?	?	?	?	?	?	?	?	?	0	0	?	0	0	0	0	1
Bits	Name	Description																												
31:8	—	reserved																												
7:6	FIFOES[1:0]	FIFO MODE ENABLE STATUS: 00 – Non-FIFO mode is selected 01 – reserved 10 – reserved 11 – FIFO mode is selected (TRFIFOE = 1)																												
5	—	reserved																												

Table 17-9. Interrupt Identification Register Decode (Sheet 2 of 2)

Interrupt ID bits					Interrupt SET/RESET Function			
	3	2	1	0	Priority	Type	Source	RESET Control
IID[00]	0	0	0	0	Fourth Highest	Modem Status	Clear to send, data set ready, ring indicator, received line signal detect.	Reading the Modem Status register.
Non Prioritized Interrupts:								
ABL	4				None	Autobaud Lock indication.	Autobaud circuitry has locked onto the baud rate.	Reading the IIR register

17.5.6 FIFO Control Register (FCR)

The FCR, shown in Table 17-10, is a write-only register that is located at the same address as the IIR, which is a read-only register. The FCR enables/disables the transmitter/receiver FIFOs, clears the transmitter/receiver FIFOs, and sets the receiver FIFO trigger threshold.

This is a write-only register. Write zeros to reserved bits.

Table 17-10. FCR Bit Definitions (Sheet 1 of 2)

	Physical Address 0x4160_0008				FIFO Control Register (FCR)																PXA255 Processor Hardware UART												
Bit	31	30	29	28	27	26	25	24	23	22	21	20	19	18	17	16	15	14	13	12	11	10	9	8	7	6	5	4	3	2	1	0	
	reserved																							ITL	reserved	TIL	RESETRF	RESETRF	TRFIFOE				
Reset	?	?	?	?	?	?	?	?	?	?	?	?	?	?	?	?	?	?	?	?	?	?	?	?	?	?	?	?	?	?	?	?	?
Bits	Name	Description																															
31:8	—	reserved																															
7:6	ITL	Interrupt Trigger Level (threshold) – When the number of bytes in the receiver FIFO equals the interrupt trigger threshold programmed into this field and the received data available interrupt is enabled via the IER, an interrupt is generated and appropriate bits are set in the IIR. The receive DMA request is also generated when the trigger threshold is reached. 0b00 – 1 byte or more in FIFO causes interrupt (not valid in DMA mode) 0b01 – 8 bytes or more in FIFO causes interrupt and DMA request 0b10 – 16 bytes or more in FIFO causes interrupt and DMA request 0b11 – 32 bytes or more in FIFO causes interrupt and DMA request																															
5:4	—	reserved																															
3	TIL	Transmitter Interrupt Level – Determines when interrupts or DMA requests are sent from the transmit FIFO. 0 = Interrupt/DMA request when FIFO is half empty. 1 = Interrupt/DMA request when FIFO is empty																															
2	RESETRF	Reset Transmitter FIFO – When RESETRF is set to 1, all the bytes in the transmitter FIFO are cleared. The TDRQ bit in the LSR is set and the IIR shows a transmitter requests data interrupt, if the TIE bit in the IER is set. The Transmitter Shift register is not cleared and it completes the current transmission. 0 = Writing 0 has no effect 1 = The transmitter FIFO is cleared																															

Table 17-10. FCR Bit Definitions (Sheet 2 of 2)

Physical Address 0x4160_0008		FIFO Control Register (FCR)	PXA255 Processor Hardware UART																														
Bit	31	30	29	28	27	26	25	24	23	22	21	20	19	18	17	16	15	14	13	12	11	10	9	8	7	6	5	4	3	2	1	0	
	reserved																							ITL	reserved	TIL	RESETRF	RESETRF	TRFIFOE				
Reset	?	?	?	?	?	?	?	?	?	?	?	?	?	?	?	?	?	?	?	?	?	?	?	?	?	0	0	?	?	0	0	0	0
Bits	Name	Description																															
1	RESETRF	Reset Receiver FIFO – When RESETRF is set to 1, all the bytes in the receiver FIFO are cleared. The DR bit in the LSR is reset to 0. All the error bits in the FIFO and the FIFOE bit in the LSR are cleared. Any error bits, OE, PE, FE or BI, that had been set in LSR are still set. The receiver shift register is not cleared. If the IIR had been set to received data available, it is cleared. 0 = Writing 0 has no effect 1 = The receiver FIFO is cleared																															
0	TRFIFOE	Transmit and Receive FIFO Enable – TRFIFOE enables/disables the transmitter and receiver FIFOs. When TRFIFOE = 1, both FIFOs are enabled (FIFO Mode). When TRFIFOE = 0, the FIFOs are both disabled (non-FIFO Mode). Writing a 0 to this bit clears all bytes in both FIFOs. When changing from FIFO mode to non-FIFO mode and vice versa, data is automatically cleared from the FIFOs. This bit must be 1 when other bits in this register are written or the other bits are not programmed. 0 = FIFOs are disabled 1 = FIFOs are enabled																															

17.5.7 Receive FIFO Occupancy Register (FOR)

The FOR, shown in Table 17-11, shows the number of bytes currently remaining in the receive FIFO. It can be used by the processor to determine the number of trailing bytes to remove. The FOR is incremented once for each byte of data written to the receive FIFO and decremented once for each byte read.

This is a read/write register. Ignore reads from reserved bits. Write zeros to reserved bits.

Table 17-11. FOR Bit Definitions

Physical Address 0x4160_0024		FIFO Occupancy Register (FOR)	PXA255 Processor Hardware UART																														
Bit	31	30	29	28	27	26	25	24	23	22	21	20	19	18	17	16	15	14	13	12	11	10	9	8	7	6	5	4	3	2	1	0	
	reserved																							Byte Count									
Reset	?	?	?	?	?	?	?	?	?	?	?	?	?	?	?	?	?	?	?	?	?	?	?	?	?	?	0	0	0	0	0	0	0
Bits	Name	Description																															
31:7	—	reserved																															
6:0	Byte Count	Number of bytes (0-64) remaining in the receiver FIFO																															

17.5.8 Auto-Baud Control Register (ABR)

The ABR, shown in Table 17-12, controls the functionality and options for auto-baud-rate detection within the UART. Through this register, users can enable or disable the auto-baud lock interrupt, direct either the processor or UART to program the final baud rate in the Divisor Latch registers, and choose between the two methods used to calculate the final baud rate.

The auto-baud circuitry counts the number of clocks in the start bit and writes this count into the Auto-Baud Count register (ACR – refer to Section 17.5.9). It then interrupts the processor if ABR[ABLIE] is set. It also automatically programs the Divisor Latch registers (DLL and DLH – refer to Section 17.5.3) if ABR[ABUP] bit is set.

See Section 17.4.4 for more information on auto-baud rate.

Note: Auto-baud rate detection is not supported with slow infrared Mode.

This is a read/write register. Ignore reads from reserved bits. Write zeros to reserved bits.

Table 17-12. ABR Bit Definitions

	Physical Address 0x4160_0028		Autobaud Control Register (ABR)																PXA255 Processor Hardware UART																
Bit	31	30	29	28	27	26	25	24	23	22	21	20	19	18	17	16	15	14	13	12	11	10	9	8	7	6	5	4	3	2	1	0			
	reserved																												ABT	ABUP	ABLIE	ABE			
Reset	?	?	?	?	?	?	?	?	?	?	?	?	?	?	?	?	?	?	?	?	?	?	?	?	?	?	?	?	?	?	?	0	0	0	0
Bits	Name		Description																																
31:4	—		reserved																																
3	ABT		AutoBaud Table. Uses a table to select low-speed baud rates instead of a formula. Only valid if ABR[ABUP] is set. 0 = Table used to calculate baud rates which limits UART to choosing common baud rates as shown in Section 17.4.4, “Auto-Baud-Rate Detection” on page 17-7 1 = Formula used to calculate baud rates allowing all possible baud rates to be chosen by UART.																																
2	ABUP		AutoBaud UART Program. Controls if the UART automatically programs DLL and DLH or if the processor must program DLL and DLH based on the results in the ACR. 0 = Processor Programs Divisor Latch registers 1 = UART Programs Divisor Latch registers																																
1	ABLIE		Autobaud Lock Interrupt Enable. 0 = Autobaud Lock Interrupt disabled (Source IIR[ABL]) 1 = Autobaud Lock Interrupt enabled (Source IIR[ABL])																																
0	ABE		Autobaud Enable. 0 = Autobaud Disabled 1 = Autobaud Enabled																																

17.5.9 Auto-Baud Count Register (ACR)

The ACR, shown in Table 17-13, stores the number of 14.7456 MHz clock cycles within a start bit pulse. This value is then used by the processor or the UART to calculate the baud rate. If auto-baud mode (ABR[ABE] – Section 17.5.8) and auto-baud interrupts (ABR[ABLIE]) are enabled, the UART interrupts the processor with the auto-baud lock interrupt (IIR[ABL] – Section 17.5.5) after it has written the count value into the ACR. The value is written regardless of the state of the auto-baud UART program bit (ABR[ABUP]).

This is a read-only register. Ignore reads from reserved bits.

Table 17-13. ACR Bit Definitions

Physical Address 0x4160_002C		Autobaud Count Register (ACR)														PXA255 Processor Hardware UART																	
Bit	31	30	29	28	27	26	25	24	23	22	21	20	19	18	17	16	15	14	13	12	11	10	9	8	7	6	5	4	3	2	1	0	
	reserved																Count Value																
Reset	?	?	?	?	?	?	?	?	?	?	?	?	?	?	?	?	0	0	0	0	0	0	0	0	0	0	0	0	0	0	0	0	0
Bits	Name		Description																														
31:16	—		reserved																														
15:0	ACR		Number of 14.7456 MHz clock cycles within a <i>start</i> bit pulse.																														

17.5.10 Line Control Register (LCR)

The LCR., shown in Table 17-14 specifies the format for the asynchronous data communications exchange. The serial data format consists of a start bit, five to eight data bits, an optional parity bit, and one, one and a half, or two stop bits. The LCR has bits that allow access to the divisor latch and bits that can cause a break condition.

This is a read/write register. Ignore reads from reserved bits. Write zeros to reserved bits.

Table 17-14. LCR Bit Definitions (Sheet 1 of 2)

Physical Address 0x4160_000C		Line Control Register (LCR)														PXA255 Processor Hardware UART																
Bit	31	30	29	28	27	26	25	24	23	22	21	20	19	18	17	16	15	14	13	12	11	10	9	8	7	6	5	4	3	2	1	0
	reserved																							DLAB	SB	STKYP	EPS	PEN	STB	WLS		
Reset	?	?	?	?	?	?	?	?	?	?	?	?	?	?	?	?	?	?	?	?	?	?	?	?	0	0	0	0	0	0	0	0
Bits	Name		Description																													
31:8	—		reserved																													
7	DLAB		DIVISOR LATCH ACCESS BIT Must be set to access the divisor latches of the baud rate generator during a READ or WRITE operation. Must be cleared to access the receiver buffer, the Transmit Holding register, or the IER. 0 = Access Transmit Holding register (THR), Receive Buffer register (RBR) and IER. 1 = Access Divisor Latch registers (DLL and DLH)																													
6	SB		SET BREAK Causes a break condition to be transmitted to the receiving UART. Acts only on the TXD pin and has no effect on the transmitter logic. In FIFO mode, wait until the transmitter is idle, LSR[TEMT]=1, to set and clear SB. 0 = No effect on TXD output 1 = Forces TXD output to 0 (space)																													
5	STKYP		STICKY PARITY Forces the bit value at the parity bit location to be the opposite of the EPS bit, rather than the parity value. This stops parity generation. If PEN = 0, STKYP is ignored. 0 = No effect on parity bit 1 = Forces parity bit to be opposite of EPS bit value																													

Table 17-14. LCR Bit Definitions (Sheet 2 of 2)

Physical Address 0x4160_000C		Line Control Register (LCR)																PXA255 Processor Hardware UART															
Bit	31	30	29	28	27	26	25	24	23	22	21	20	19	18	17	16	15	14	13	12	11	10	9	8	7	6	5	4	3	2	1	0	
	reserved																							DLAB	SB	STKYP	EPS	PEN	STB	WLS			
Reset	?	?	?	?	?	?	?	?	?	?	?	?	?	?	?	?	?	?	?	?	?	?	?	?	?	0	0	0	0	0	0	0	0
Bits	Name		Description																														
4	EPS		EVEN PARITY SELECT Even parity select bit. If PEN = 0, EPS is ignored. 0 = Sends or checks for odd parity 1 = Sends or checks for even parity																														
3	PEN		PARITY ENABLE Enables a parity bit to be generated on transmission or checked on reception. 0 = No parity 1 = Parity																														
2	STB		STOP BITS Specifies the number of stop bits transmitted and received in each character. When receiving, the receiver only checks the first stop bit. 0 = 1 Stop bit 1 = 2 Stop bits, except for 5-bit character then 1-1/2 bits																														
1:0	WLS[1:0]		WORD LENGTH SELECT Specifies the number of data bits in each transmitted or received character. 00 – 5-bit character 01 – 6-bit character 10 – 7-bit character 11 – 8-bit character																														

17.5.11 Line Status Register (LSR)

The LSR, shown in Table 17-15, provides data transfer status information to the processor.

In non-FIFO mode, LSR[4:2] show the parity error, framing error, break interrupt, and show the error status of the character that has just been received.

In FIFO mode, LSR[4:2] show the status bits of the character that is currently at the front of the FIFO.

LSR[4:1] produce a receiver line status interrupt when the corresponding conditions are detected and the interrupt is enabled. In FIFO mode, the receiver line status interrupt only occurs when the erroneous character reaches the front of the FIFO. If the erroneous character is not at the front of the FIFO, a line status interrupt is generated after the other characters are read and the erroneous character becomes the character at the front of the FIFO.

The LSR must be read before the erroneous character is read. LSR[4:1] bits are set until software reads the LSR.

See Section 17.4.2.3 for details on using the DMA to receive data.

This is a read-only register. Ignore reads from reserved bits.

Table 17-15. LSR Bit Definitions (Sheet 1 of 2)

		Physical Address 0x4160_0014	Line Status Register (LSR)																PXA255 Processor Hardware UART																									
Bit		31	30	29	28	27	26	25	24	23	22	21	20	19	18	17	16	15	14	13	12	11	10	9	8	7	6	5	4	3	2	1	0											
		reserved																								FIFOE	TEMT	TDRQ	BI	FE	PE	OE	DR											
Reset		?	?	?	?	?	?	?	?	?	?	?	?	?	?	?	?	?	?	?	?	?	?	?	?	?	?	?	?	?	?	?	?	?	?	?	0	1	1	0	0	0	0	0
Bits	Name	Description																																										
31:8	—	reserved																																										
7	FIFOE	<p>FIFO ERROR STATUS</p> <p>In non-FIFO mode, this bit is 0. In FIFO mode, FIFOE is set to 1 when there is at least one parity error, framing error, or break indication for any of the characters in the FIFO. A processor read to the LSR does not reset this bit. FIFOE is reset when all erroneous characters have been read from the FIFO. If DMA requests are enabled (IER bit 7 is set to 1) and FIFOE is set to 1, the error interrupt is generated and no receive DMA request is generated even when the receive FIFO reaches the trigger threshold. Once the errors have been cleared, by reading the FIFO, DMA requests are automatically re-enabled. If DMA requests are not enabled (IER bit 7 is set to 0), then FIFOE set to 1 does not generate an error interrupt.</p> <p>0 = No FIFO or no errors in receiver FIFO 1 = At least one character in receiver FIFO has errors</p>																																										
6	TEMT	<p>TRANSMITTER EMPTY</p> <p>Set when the Transmit Holding register and the Transmitter Shift register are both empty. It is cleared when either the Transmit Holding register or the Transmitter Shift register contains a data character. In FIFO mode, TEMT is set when the transmitter FIFO and the Transmit Shift register are both empty.</p> <p>0 = There is data in the Transmit Shift register, the Transmit Holding register, or the FIFO 1 = All the data in the transmitter has been shifted out</p>																																										
5	TDRQ	<p>TRANSMIT DATA REQUEST</p> <p>Indicates that the UART is ready to accept a new character for transmission. In addition, this bit causes the UART to issue an interrupt to the processor when the transmit data request interrupt enable is set high and generates the DMA request to the DMA controller if DMA requests and FIFO mode are enabled.</p> <p>In non-FIFO mode, TDRQ is set when a character is transferred from the Transmit Holding register into the Transmit Shift register. The bit is cleared with the loading of the Transmit Holding register.</p> <p>In FIFO mode, TDRQ is set to 1 when half of the characters in the FIFO have been loaded into the Shift register if FCR[TIL]=0, or the FIFO is empty and FCR[TIL]=1, or the RESETTF bit in FCR has been set. It is cleared when the FIFO has more data than required by FCR[TIL].</p> <p>If more than 64 characters are loaded into the FIFO, the excess characters are lost.</p> <p>0 = There is data in Transmit Holding register or FIFO waiting to be shifted out 1 = Transmit FIFO has half or less than half data (FCR[TIL]=0), or the transmit FIFO is empty (FCR[TIL]=1), or the UART is waiting for data (non-FIFO mode)</p>																																										
4	BI	<p>BREAK INTERRUPT</p> <p>BI is set when the received data input is held low for longer than a full word transmission time (that is, the total time of start bit + data bits + parity bit + stop bits). The break indicator is reset when the processor reads the LSR. In FIFO mode, only one character equal to 0x00, is loaded into the FIFO regardless of the length of the break condition. BI shows the break condition for the character at the front of the FIFO, not the most recently received character.</p> <p>0 = No break signal has been received 1 = Break signal received</p>																																										

Table 17-15. LSR Bit Definitions (Sheet 2 of 2)

Physical Address 0x4160_0014		Line Status Register (LSR)																PXA255 Processor Hardware UART															
Bit	31	30	29	28	27	26	25	24	23	22	21	20	19	18	17	16	15	14	13	12	11	10	9	8	7	6	5	4	3	2	1	0	
	reserved																								FIFOE	TEMT	TDRO	BI	FE	PE	OE	DR	
Reset	?	?	?	?	?	?	?	?	?	?	?	?	?	?	?	?	?	?	?	?	?	?	?	?	?	0	1	1	0	0	0	0	0
Bits	Name		Description																														
3	FE		<p>FRAMING ERROR</p> <p>FE indicates that the received character did not have a valid stop bit. FE is set when the bit following the last data bit or parity bit is detected as 0. If the LCR had been set for two stop bit mode, the receiver does not check for a valid second stop bit. The FE indicator is reset when the processor reads the LSR. The UART re-synchronizes after a framing error. To do this it assumes that the framing error was due to the next start bit, so it samples this "start" bit twice and then reads in the "data". In FIFO mode, FE shows a framing error for the character at the front of the FIFO, not for the most recently received character.</p> <p>0 = No framing error 1 = Invalid stop bit has been detected</p>																														
2	PE		<p>PARITY ERROR</p> <p>Indicates that the received data character does not have the correct even or odd parity, as selected by the even parity select bit. PE is set when a parity error is detected and is cleared when the processor reads the LSR. In FIFO mode, PE shows a parity error for the character at the front of the FIFO, not the most recently received character.</p> <p>0 = No parity error 1 = Parity error has occurred</p>																														
1	OE		<p>OVERRUN ERROR</p> <p>In non-FIFO mode, OE indicates that data in the Receive Buffer register was not read by the processor before the next character was received. The new character is lost. In FIFO mode, OE indicates that all 64 bytes of the FIFO are full and the most recently received byte has been discarded. The OE indicator is set when an overrun condition is detected and cleared when the processor reads the LSR.</p> <p>0 = No data has been lost 1 = Received data has been lost</p>																														
0	DR		<p>DATA READY</p> <p>DR is set when a complete incoming character has been received and transferred into the Receive Buffer register or the FIFO. In non-FIFO mode, DR is cleared when the receive buffer is read. In FIFO mode, DR is cleared if the FIFO is empty (last character has been read from Receive Buffer register) or the FIFO is reset with FCR[RESETRF].</p> <p>0 = No data has been received 1 = Data is available in RBR or the FIFO</p>																														

17.5.12 Modem Control Register (MCR)

The MCR, shown in Table 17-16, uses the modem control pin nRTS to control the interface with a modem or data set. The MCR also controls the loopback mode. Loopback mode must be enabled before the UART is enabled.

This is a read/write register. Ignore reads from reserved bits. Write zeros to reserved bits.

Table 17-16. MCR Bit Definitions (Sheet 1 of 2)

		Physical Address 0x4160_0010	Modem Control Register (MCR)	PXA255 Processor Hardware UART																													
Bit	31	30	29	28	27	26	25	24	23	22	21	20	19	18	17	16	15	14	13	12	11	10	9	8	7	6	5	4	3	2	1	0	
	reserved																																
Reset	?	?	?	?	?	?	?	?	?	?	?	?	?	?	?	?	?	?	?	?	?	?	?	?	?	?	?	?	?	?	?	?	?
Bits	Name	Description																															
31:8	—	reserved																															
5	AFE	AUTOFLOW CONTROL ENABLE 0 = Auto-RTS and auto-CTS are disabled. 1 = Auto-CTS is enabled. If MCR[RTS] is also set, both auto-CTS and auto-RTS is enabled.																															
4	LOOP	<p>LOOPBACK MODE</p> <p>This bit provides a local loopback feature for diagnostic testing of the UART. When LOOP is set to a logic 1, the following occurs:</p> <ul style="list-style-type: none"> The transmitter serial output is set to a logic 1 state. The receiver serial input is disconnected from the pin. The output of the Transmitter Shift register is “looped back” into the Receiver Shift register input. The four modem control inputs (nCTS, nDSR, nDCD, and nRI) are disconnected from the pins and the modem control output pins (nRTS and nDTR) are forced to their inactive state. <p>Coming out of the loopback mode may result in unpredictable activation of the delta bits (bits 3:0) in the Modem Status register (MSR). It is recommended that MSR is read once to clear the delta bits in the MSR.</p> <p>Loopback mode must be configured before the UART is enabled.</p> <p>MCR[RTS] is connected to the Modem Status register CTS bit: This allows software to test CTS functionality by setting or clearing MCR[RTS]</p> <ul style="list-style-type: none"> RTS = 1 forces CTS to 1 RTS = 0 forces CTS to a 0 <p>In loopback mode, data that is transmitted is immediately received. This feature lets the processor verify the transmit and receive data paths of the UART. The transmit, receive and modem control interrupts are operational, except the modem control interrupts are activated by MCR bits, not the modem control pins. A break signal can also be transferred from the transmitter section to the receiver section in loopback mode.</p> <p>0 = Normal UART operation 1 = Loopback mode UART operation</p>																															
3	OUT2	<p>OUT2 SIGNAL CONTROL</p> <p>OUT2 connects the UART’s interrupt output to the interrupt controller unit. When LOOP=0:</p> <p>0 = UART interrupt is disabled 1 = UART interrupt is enabled.</p> <p>When LOOP=1, interrupts always go to the processor.</p>																															
2	—	reserved																															

Table 17-16. MCR Bit Definitions (Sheet 2 of 2)

Physical Address 0x4160_0010		Modem Control Register (MCR)																PXA255 Processor Hardware UART																		
Bit	31	30	29	28	27	26	25	24	23	22	21	20	19	18	17	16	15	14	13	12	11	10	9	8	7	6	5	4	3	2	1	0				
	reserved																								AFE	LOOP	OUT2	reserved	RTS	reserved						
Reset	?	?	?	?	?	?	?	?	?	?	?	?	?	?	?	?	?	?	?	?	?	?	?	?	?	?	?	?	?	?	?	?				
Bits	Name		Description																																	
1	RTS		REQUEST TO SEND Controls the status of the nRTS pin when the AFE bit is clear. When AFE is set, switches between full autoflow and half autoflow. Autoflow mode disabled: 0 = nRTS pin is 1 1 = nRTS pin is 0 Autoflow mode enabled: 0 = Auto-RTS disabled. Auto flow works only with auto-CTS 1 = Auto-RTS enabled. Auto flow works with both auto-CTS and auto-RTS In loopback mode, controls status of CTS input signal.																																	
0	—		reserved																																	

17.5.13 Modem Status Register (MSR)

The MSR, shown in Table 17-17, provides the current state of the control lines from the modem or data set (or a peripheral device emulating a modem) to the processor. In addition to this current state information, four bits of the MSR provide change information. MSR[3:0] are set when a control input from the modem changes state. They are cleared when the processor reads the MSR.

The status of the modem control lines do not affect the FIFOs. To use these lines for flow control, IER[MIE] must be set. When an interrupt on one of the flow control pins occurs, the interrupt service routine must disable the UART. The UART continues transmission and reception of the current character and then stops. The contents of the FIFOs is preserved. If the UART is re-enabled, transmission continues where it stopped.

Note: When bit 0, 1, 2, or 3 is set, a modem status interrupt is generated if IER[MIE] is set.

This is a read-only register. Ignore reads from reserved bits.

Table 17-17. MSR Bit Definitions (Sheet 1 of 2)

Physical Address 0x4160_0018		Modem Status Register (MSR)																PXA255 Processor Hardware UART																		
Bit	31	30	29	28	27	26	25	24	23	22	21	20	19	18	17	16	15	14	13	12	11	10	9	8	7	6	5	4	3	2	1	0				
	reserved																								CTS	reserved	DCTS									
Reset	?	?	?	?	?	?	?	?	?	?	?	?	?	?	?	?	?	?	?	?	?	?	?	?	?	?	?	?	?	?	?	?				
Bits	Name		Description																																	
31:5	—		reserved																																	

Table 17-19. ISR Bit Definitions

Physical Address 0x4160_0020		Infrared Selection Register (ISR)																PXA255 Processor Hardware UART																			
Bit	31	30	29	28	27	26	25	24	23	22	21	20	19	18	17	16	15	14	13	12	11	10	9	8	7	6	5	4	3	2	1	0					
	reserved																											RXPL	TXPL	XMODE	RCVEIR	XMITIR					
Reset	?	?	?	?	?	?	?	?	?	?	?	?	?	?	?	?	?	?	?	?	?	?	?	?	?	?	?	?	?	?	?	?	0	0	0	0	0
Bits	Name		Description																																		
31:5	—		reserved																																		
4	RXPL		RECEIVE DATA POLARITY 0 = SIR decoder takes positive pulses as zeros 1 = SIR decoder takes negative pulses as zeros																																		
3	TXPL		TRANSMIT DATA POLARITY 0 = SIR encoder generates a positive pulse for a data bit of zero 1 = SIR encoder generates a negative pulse for a data bit of zero																																		
2	XMODE		TRANSMIT PULSE WIDTH SELECT When XMODE is cleared, the UART 16X clock clocks the IrDA transmit and receive logic. When XMODE is set, receive decoder operation does not change and the transmit encoder generates 1.6 μs pulses (that are 3/16 of a bit time at 115.2 Kbps) instead of pulses 3/16 of a bit time wide. 0 = Transmit pulse width is 3/16 of a bit time wide 1 = Transmit pulse width is 1.6 μs																																		
1	RCVEIR		RECEIVER SIR ENABLE When RCVEIR is set, the signal from the RXD pin is processed by the IrDA decoder before it is fed to the UART. If RCVEIR is cleared, then all clocking to the IrDA decoder is blocked and the RXD pin is fed directly to the UART. 0 = Receiver is in UART mode 1 = Receiver is in infrared mode																																		
0	XMITIR		TRANSMITTER SIR ENABLE When XMITIR is set to 1, the normal TXD output from the UART is processed by the IrDA encoder before it is fed to the device pin. If XMITIR is cleared, all clocking to the IrDA encoder is blocked and the UART's TXD signal is connected directly to the device pin. When Transmitter SIR Enable is set, the TXD output pin, which is in a normally high default state, switches to a normally low default state. This can cause a false start bit unless the infrared LED is disabled before XMITIR is set. 0 = Transmitter is in UART mode 1 = Transmitter is in infrared mode																																		

17.6 Hardware UART Register Summary

Table 17-20 contains the register addresses for the HWUART.

Table 17-20. HWUART Register Locations (Sheet 1 of 2)

Register Addresses	DLAB Bit Value	Name	Description
0x4160_0000	0	HWRBR	"Receive Buffer Register (RBR)" (read only)
0x4160_0000	0	HWTHR	"Transmit Holding Register (THR)" (write only)
0x4160_0004	0	HWIER	"Interrupt Enable Register (IER)" (read/write)

Table 17-20. HWUART Register Locations (Sheet 2 of 2)

Register Addresses	DLAB Bit Value	Name	Description
0x4160_0008	X	HWIIR	"Interrupt Identification Register (IIR)" (read only)
0x4160_0008	X	HWFCR	"FIFO Control Register (FCR)" (write only)
0x4160_000C	X	HWLCR	"Line Control Register (LCR)" (read/write)
0x4160_0010	X	HWMCR	"Modem Control Register (MCR)" (read/write)
0x4160_0014	X	HWLSR	"Line Status Register (LSR)" (read only)
0x4160_0018	X	HWMSR	"Modem Status Register (MSR)" (read only)
0x4160_001C	X	HWSPR	"Scratchpad Register (SCR)" (read/write)
0x4160_0020	X	HWISR	"Infrared Selection Register (ISR)" (read/write)
0x4160_0024	X	HWFOR	"Receive FIFO Occupancy Register (FOR)" (read only)
0x4160_0028	X	HWABR	"Auto-Baud Control Register (ABR)" (read/write)
0x4160_002C	X	HWACR	"Auto-Baud Count Register (ACR)"
0x4160_0000	1	HWDLL	"Divisor Latch Registers (DLL and DLH)" low byte (read/write)
0x4160_0004	1	HWDLH	"Divisor Latch Registers (DLL and DLH)" high byte (read/write)





Free Manuals Download Website

<http://myh66.com>

<http://usermanuals.us>

<http://www.somanuals.com>

<http://www.4manuals.cc>

<http://www.manual-lib.com>

<http://www.404manual.com>

<http://www.luxmanual.com>

<http://aubethermostatmanual.com>

Golf course search by state

<http://golfingnear.com>

Email search by domain

<http://emailbydomain.com>

Auto manuals search

<http://auto.somanuals.com>

TV manuals search

<http://tv.somanuals.com>