

simplifi
digital

simplifi7075A
Media Center Amplifier
(ADAT Optical Interface)

USER'S GUIDE

This document is published by Simplifi Digital Inc.

This document, in whole or in part, may not be posted to the internet without the express consent of Simplifi Digital Inc. unless specifically embedded in a compilation or derivative work on which a substitute copyright or proprietary notice has been placed.

**© Simplifi Digital Inc.
All Rights Reserved**

14 March 2006

Written and Published by
Simplifi Digital Inc.
Sacramento, CA

PN 100326
ART0008A



How to Contact Us:

Simplifi Digital Incorporated
1418W North Market Blvd. 500A
Sacramento, California 95834

Office Hours: Monday - Friday 8-5 PST

Telephone: **(916) 679-1958**

Fax: **(916) 928-9539**

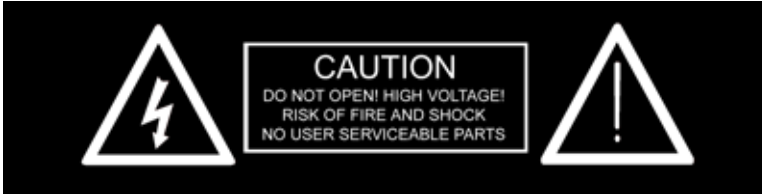
Web Address: **<http://www.simplifidigital.com/>**

Trademark Acknowledgements

Media Center Amplifier is a registered trademark of SimpliFi Digital Inc. ADAT is a registered trademark of Alesis. Viiv and Intel Audio Studio are registered trademarks of Intel. Other names and products not mentioned above may be registered trademarks or trademarks of their respective companies.

Copyright 2006 Simplifi Digital Inc. All rights reserved.

WARNINGS AND CAUTIONS



The lightning flash with the arrowhead symbol, within an equilateral triangle, is intended to alert the user to the presence of un-insulated “dangerous voltage” within the product’s enclosure that may be of sufficient magnitude to constitute a risk of electric shock.



The exclamation point within an equilateral triangle is intended to alert the user of important operating and maintenance instructions in the users manual that accompanies the product.

WARNING: TO REDUCE THE RISK OF FIRE OR ELECTRIC SHOCK, DO NOT EXPOSE THIS PRODUCT TO RAIN OR MOISTURE.

WARNING: THE SYSTEM SHALL NOT BE EXPOSED TO DRIPPING OR SPLASHING AND THAT NO OBJECTS FILLED WITH LIQUIDS, SUCH AS VASES, SHALL BE PLACED ON THE SYSTEM.

WARNING: THE UNIT SHALL BE CONNECTED TO A MAINS SOCKET OUTLET WITH A PROTECTIVE EARTHING CONNECTION (3-PRONG POWER CORD) ONLY.

WARNING: WHERE THE MAINS PLUG OR AN APPLIANCE COUPLER IS USED AS THE DISCONNECT DEVICE, THE DISCONNECTED DEVICE SHALL REMAIN READILY OPERABLE.

IMPORTANT SAFETY INSTRUCTIONS

- 1)** Read these instructions.
- 2)** Keep these instructions.
- 3)** Heed all warnings.
- 4)** Follow all instructions.
- 5)** Do not use this apparatus near water.
- 6)** Clean only with a dry cloth.
- 7)** Do not block any ventilation openings. Install in accordance with the manufacturer's instructions.
- 8)** Do not install near any heat sources such as radiators, heat registers, stoves, or other apparatuses that produce heat.
- 9)** Do not defeat the safety purpose of the grounding-type plug. The third prong is provided for your safety. If the provided plug does not fit into your outlet, consult an electrician for replacement of the obsolete outlet.
- 10)** Protect your power cord from being walked on or pinched, particularly at plugs, convenience receptacles, and the point where they exit from the apparatus.
- 11)** Only use the attachments and accessories specified by the manufacturer.
- 12)** Unplug the apparatus during lightning storms or when unused for a long period of time.
- 13)** Refer all servicing to qualified service personnel. Servicing is required when the apparatus has been damaged in any way, such as power-supply cord or plug is damaged, liquid has been spilled, or objects have fallen into the apparatus, the apparatus has been exposed to rain or moisture, does not operate normally, or has been dropped.

DECLARATION OF CONFORMITY

We Simplifi Digital Inc.,
1418W North Market Blvd. 500A
Sacramento, CA 95834 USA
916-679-1958

declare under our sole responsibility that the product:

Media Center Amplifier 7075A
complies with Part 15 of the FCC Rules. Operation is
subject to the following two conditions: (1) this device
may not cause harmful interference, and (2) this device
must accept any interference received, including
interference that may cause undesired operation.

This Class B digital apparatus complies with Canadian ICES-003

This equipment has been tested and found to comply with the limits for a Class B digital device, pursuant to part 15 of the FCC Rules. The limits are designed to provide reasonable protection against harmful interference in a residential installation.

This equipment generates, uses and can radiate radio frequency energy and if not used in accordance with the instructions, may cause harmful interference to radio communications. However there is no guarantee that interference will not occur in a particular installation. If this equipment does cause harmful interference to radio or television reception, which can be determined by turning the equipment off and on, the user is encouraged to correct the interference by one or more of the following measures:

Reorient or relocate the receiving antenna.

Increase the separation between the equipment and the receiver.

Connect the equipment into an outlet on a circuit that is different from the one that the receiver is connected.

Consult the dealer or an experienced radio/TV technician for help.

TABLE OF CONTENTS

Media Center Amplifier 1

Before You Begin 1

Product Check List 1

Media Center PC or Standard PC Requirements 2

Rear Panel Overview 2

Connecting to the Windows Media Center PC 3

Amplifier On/Off Power Control 5

Wiring Diagrams 5

Intel Audio Studio 7

Setup the Audio Ports 9

Advanced Speakers Settings 10

Sonic Focus Sound Processing 11

Dolby Sound Processing 12

Surround Balance 13

Media Center Interface 14

Specifications 18

Media Center Amplifier

Use this guide to set up your new Media Center Amplifier.

The Simplifi Digital Media Center Amplifier has been designed to be the perfect audio amplification solution for all Windows Media Center PC's as well as traditional PC's. Utilizing the latest hybrid audio amplifier technology, the Media Center Amplifier provides pristine audio clarity for the audiophile and eliminates the need for a separate remote control.

The Media Center Amplifier can be installed in less than five minutes and will provide countless hours of reliable service and enjoyment.

Before You Begin

Please read the following information. It contains important guidelines and operating requirements for the Media Center Amplifier.



Product Check List

Ensure your box contains the following:

- Media Center Amplifier
- USB Cable
- Optical Audio Cable
- User's Guide

Media Center PC or Standard PC Requirements

- ADAT optical audio output (supported on several Intel motherboards and Viiv computers that include Intel High Definition Audio and Intel Audio Studio software version 2.0 or higher)
- Unused USB port (used for power control)

Rear Panel Overview



No	Rear Panel Description
1	Media Center AC Power AC power outlet for the Windows Media Center (non-switched). It is not required to use this outlet for the amplifier to operate properly.
2	USB Connector USB control input from Windows Media Center.
3	ADAT Optical Audio Input This is the optical input that connects directly to the optical audio output connector of the Windows Media Center that supports the ADAT audio standard.
4	Subwoofer Output This is a line level output that connects to your powered subwoofer.
5	Speaker Outputs These are the connections to your speakers.

Connecting to the Windows Media Center PC

The rear panel location of the optical audio output connector varies widely from manufacturer to manufacturer. Refer to the user's manual that came with your Media Center PC for more information. Typically, the optical audio connector on the rear of the Media Center PC has a spring-loaded cover that protects the receiver from dust, etc.

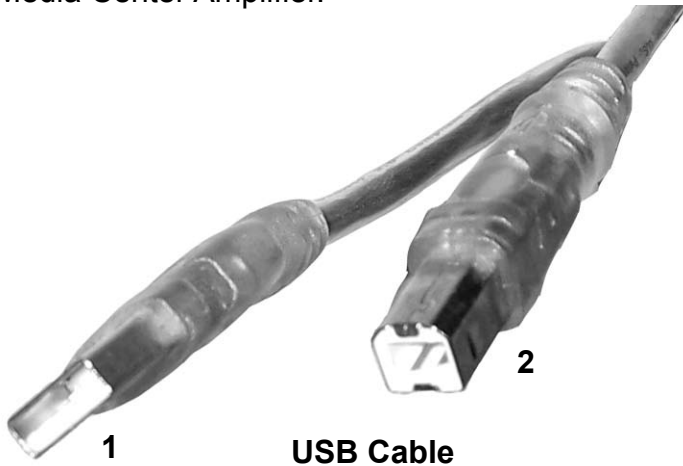
1. Using the supplied optical audio cable, connect the optical output from the Windows Media Center PC to the optical input on the Media Center Amplifier.



Optical Audio Cable

***Note:** The optical audio cable contains glass fibers and can be damaged if it is subjected to excessive bending, pulling, or other forces.

2. Next, connect the USB cable from the Windows Media Center to the Media Center Amplifier using the supplied USB cable. Connect the narrow rectangular side (labeled 1 below) of the USB cable to any available port on the Windows Media Center. Connect the square side (labeled 2 below) to the Media Center Amplifier.



3. If desired, connect the AC power cord from the Windows Media Center into the AC power outlet on the back of the Media Center Amplifier. This is not a mandatory connection for the amplifier to operate properly.

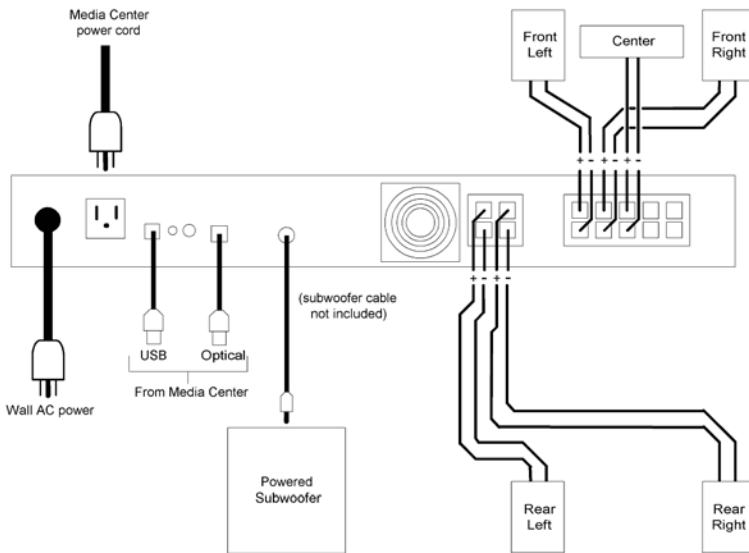
4. Connect your powered subwoofer line level input(s) to the SUB OUT jack on the Media Center Amplifier using an RCA cable (not supplied). Many subwoofers have two inputs, so refer to instruction manual supplied with the subwoofer for single input connections.

5. Connect your speakers to each labeled speaker connector on the Media Center Amplifier. Make sure each speaker's "+" terminal connects to corresponding amplifier's "+" terminal. The orientations for left and right speaker placement are with respect to watching the television screen.

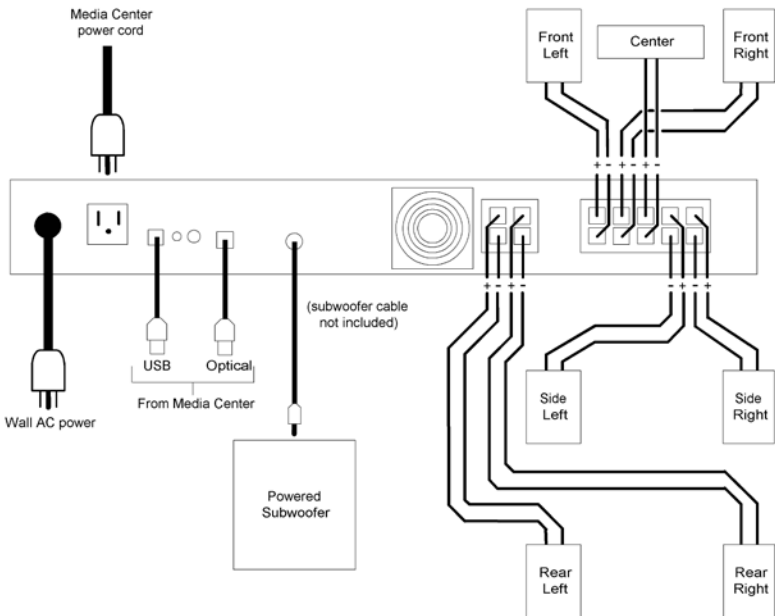
Amplifier On/Off Power Control

The Media Center Amplifier turns on automatically (within 500 milliseconds) when digital audio has been detected in the front audio channels. The amplifier will remain on for about 20 minutes after the last sound has been detected. This method of power control allows the amplifier to be used with a variety of Media Center computers including those that support Intel's "Rapid Resume" power technology.

Wiring Diagrams



5 Channel Wiring

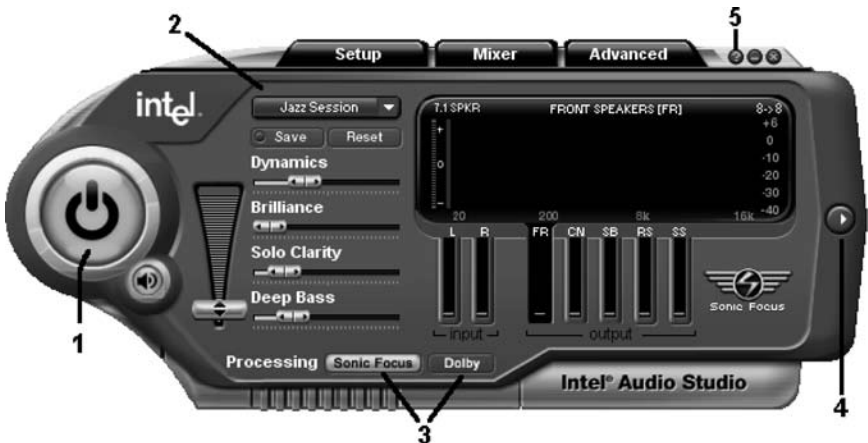


7 Channel Wiring

Intel Audio Studio

The latest releases of Intel Audio Studio include both a standard Windows interface as well as a “ten foot” interface that can be accessed directly from Windows Media Center using a remote control. All of the controls and settings described in this chapter are available using either interface.

Intel Audio Studio is located in “More Programs” within Windows Media Center. If Intel Audio Studio does not show up under “More Programs”, then the user should download the latest version from the Intel website. The screenshot shows the main page of the Intel Audio Studio (Windows XP interface) with callouts for some of the important functions:



1. Sound Processing On/Off

Use this button to turn on and off Intel Audio Studio sound processing.

When the sound processing is off, stereo music or standard definition (SD) TV television will only play through the front left and right speakers and the other speakers (including the subwoofer) will not be used.

Dolby Digital audio from a DVD or high definition (HD) television will use six speakers (front speakers/center speaker/rear surround speakers/ subwoofer).

When the Sound Processing button is on, all eight speakers will be used for any audio. Music and SD television audio will be expanded to use all eight speakers using either Sonic Focus or Dolby ProLogic IIx processing (button 3). Dolby Digital audio from a DVD or HD television will be expanded to use all eight speakers only if ProLogic IIx is selected (Sonic Focus processing does not expand Dolby Digital audio content to use all eight speakers).

2. Audio Presets

Use this pull down menu to select various Sonic Focus sound processing room environments. The preset environments are: **Jazz Session, Rock Concert, Bass Jam, Symphony Hall, Home Cinema, Action Movie, Sports Fan, Game Zone, Sonic Wide, and Control Room.**

For a more detailed description of these settings, press “?” (help, button 5) on the upper corner of Intel Audio Studio. The **Audio Preset** pull down menu is **not** available when Dolby sound processing is selected. Any saved speaker settings, equalizer settings, room balance settings, etc. from other pages of the Intel Audio Studio software are retained with the preset environments.

3. Sound Processing Technology

Use these buttons to select which sound processing technology that you would like to use. Sonic Focus processing mode has many parameters that can be set and is recommended for all music content due to the wide variety of room environments that can be selected. Dolby ProLogic IIx processing is recommended for DVD's, SD and HD television programs. Many SD television broadcasts and movies have been encoded using Dolby ProLogic audio and are automatically decoded by Intel Audio Studio for realistic surround sound. DVD's and HD television broadcasts are enhanced by ProLogic IIx processing.

4. Surround Balance

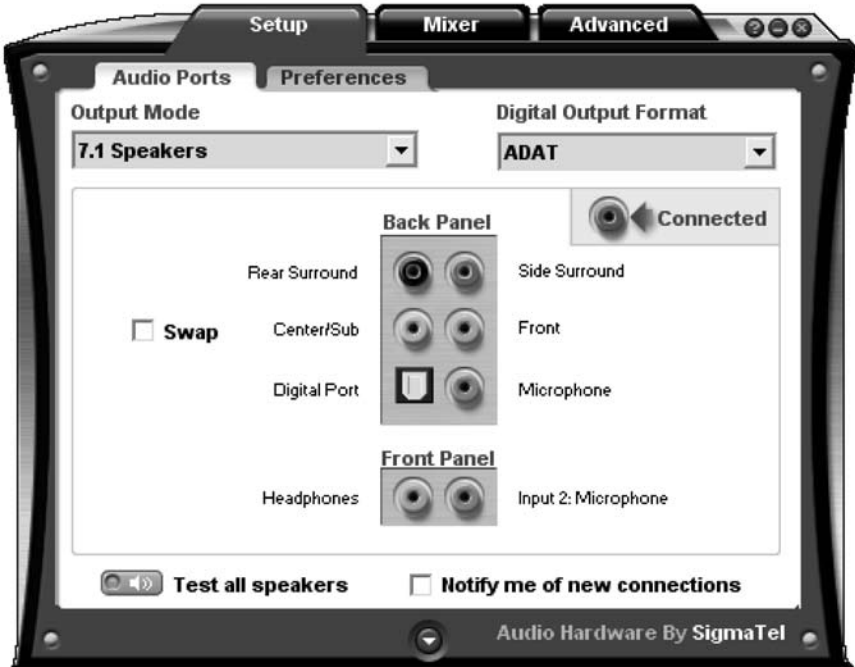
This button opens a settings panel that allows the user to balance the speaker volumes used in your room environment based on the listening position relative to the speaker placement. This setting is used with all sound processing modes.

5. Help Button

This button opens the Intel Audio Studio user's manual in a separate window for a more detailed description of the features and settings.

Setup the Audio Ports

Select the **Setup Audio Ports** tab on Intel Audio Studio. A window opens that looks like the following:



Select **7.1 Speakers** and **ADAT** from the pull down menus. If you are using only six speakers instead of eight, then you should select **5.1 Speakers** from the pull down menu.

***Note: When using 5.1 Speakers (six speakers instead of eight), the rear speakers are wired to the “REAR SURROUND” terminals instead of the “SURROUND” terminals. Refer to the wiring diagram in this manual for detailed connection information.**

Advanced Speakers Settings

Select the **Advanced Speakers** tab on Intel Audio Studio. A window opens that looks like the following:



Select **Activate** and **Send Bass to Sub Woofer** and set the Speaker Crossover frequency that matches the installed subwoofer specification. Generally speaking, a large subwoofer will use a lower crossover frequency than a small subwoofer would use. If you are not using a subwoofer, then select **Send Bass to Front Speakers**. It is important that you press the Save button so these settings will be used whenever the current **Audio Preset** on the main page is selected.

Sonic Focus Sound Processing


The following screenshot shows the various **Audio Presets** when Sonic Focus sound processing is selected:



Dolby Sound Processing

The following screenshot shows the main page when Dolby sound processing is selected:



The  button is used to select **Music** mode, **Movie** mode, and Disabled. There are no user adjustments for **Movie** mode.

Surround Balance

The following screenshot shows the **Surround Balance** adjustment panel:



The user can move the listening position relative to the speaker placement if desired using this adjustment panel. This setting is used with all sound processing modes.

Media Center Interface

The following are screenshots of Intel Audio Studio for Media Center. As you can see, all of the controls and settings described previously are available using your remote control.



Home Page



Settings Page



Refine Page



Balance Page

Specifications	
Amplifier Power:	50W RMS per channel into 8 ohms (1KHz sine wave, all channels) 75W RMS per channel into 4 ohms (1KHz sine wave, all channels) 75W peak per channel into 8 ohms (useful power) 100W peak per channel into 4 ohms (useful power)
Frequency Response:	20–20,000 Hz (+/- 0.2dB over the entire frequency range)
Total Harmonic Distortion:	< .03%, 50W RMS, 8 ohms, 20–20,000 Hz (all channels driven)
Optical Audio Input:	ADAT (Alesis Digital Audio Tape)
Optical Performance:	Eight channels, 48KHz sample rate, 24-bits per channel
Subwoofer Output:	Line level output (1V RMS maximum) <100 Ohm output impedance
AC Power:	110-125 VAC at 5A (US models) 220-240 VAC at 2.5A (non-US models)
Dimensions:	17" (width) x 17" (depth) x 3.5" (height) Weight 25 lbs

This Product is designed in the USA and manufactured in China

Return Policy

Goods can be returned within 30 days of purchase for a full refund less the cost of shipping.

Warranty

Simplifi Digital, Inc.

Limited Warranty and Product Use Warning

We will be happy to assist you with our products. Just contact us at Simplifi Digital, Inc. 1338 N. Market Street, Sacramento, CA 95834, Telephone: 916.679.1958, Fax: 916.928.9539, Web: www.simplifidigital.com

Limited Warranty. This Limited Warranty is provided only to you as the original consumer purchaser of the enclosed Product, and to no other person. Simplifi Digital, Inc. warrants to you that for a period of one hundred and eighty (180) days with respect to labor charges, and for a period of one hundred and eighty (180) days with respect to parts, the Product will be free from defects in materials and workmanship and will perform substantially in accordance with documentation supplied by Simplifi Digital, Inc. in the original packaging for the Product.

Exclusive Remedy: SIMPLIFI DIGITAL'S ENTIRE LIABILITY AND YOUR EXCLUSIVE REMEDY UNDER THIS LIMITED WARRANTY SHALL BE, AT SIMPLIFI DIGITAL'S OPTION, EITHER (A) REPAIR OR REPLACEMENT OF THE PRODUCT, OR (B) A REFUND OF THE PURCHASE PRICE PAID FOR THE PRODUCT. THIS REMEDY IS AVAILABLE TO YOU ONLY UPON RETURN BY YOU TO SIMPLIFI DIGITAL OF THE PRODUCT AND YOUR RECEIPT SHOWING THE DATE OF PURCHASE OF THE PRODUCT. If a failure to conform to this limited warranty is reported to Simplifi Digital during the first one hundred and eighty (180) days after the date of purchase, then Simplifi Digital will either (a) replace the Product or the labor and parts necessary for repair of the Product, or (b) refund the purchase price for the Product. IN NO EVENT DOES THE WARRANTY COVER DEFECTS OR MALFUNCTIONS DUE DIRECTLY OR INDIRECTLY TO ACCIDENT, MISUSE OR NEGLIGENCE OF THE PRODUCT, WITH THE PRODUCT OR AN ACT OF GOD. All Other Warranties: EXCEPT AS SPECIFICALLY PROVIDED ABOVE, THERE ARE NO EXPRESS WARRANTIES, CLAIMS OR REPRESENTATIONS MADE BY SIMPLIFI DIGITAL REGARDING THE PRODUCT. ANY IMPLIED WARRANTIES, INCLUDING IMPLIED WARRANTIES AGAINST CLAIMS THAT THE PRODUCT INFRINGES ON PROPERTY RIGHTS OF THIRD PARTIES, IMPLIED WARRANTIES OF FITNESS

FOR A PARTICULAR PURPOSE, AND IMPLIED WARRANTIES OF MERCHANTABILITY, SHALL TERMINATE 180 DAYS AFTER THE DATE OF PURCHASE. SOME STATES DO NOT ALLOW LIMITATIONS ON HOW LONG AN IMPLIED WARRANTY LASTS, SO THE ABOVE LIMITATION MAY NOT APPLY TO YOU. TO THE MAXIMUM EXTENT ALLOWED BY APPLICABLE LAW, IN NO EVENT WILL SIMPLIFI DIGITAL, NOR ANYONE ELSE WHO HAS BEEN INVOLVED IN THE CREATION, OR DELIVERY OF THE PRODUCT BE LIABLE TO YOU OR ANY OTHER PERSON FOR ANY DIRECT, INDIRECT, OR CONSEQUENTIAL OR INCIDENTAL DAMAGES, OR ANY OR PUNITIVE DAMAGES (FOR EXAMPLE, DAMAGES FOR LOSS OF PROFITS OR BUSINESS INTERRUPTION) ARISING OUT OF THE USE OF OR INABILITY TO USE THE PRODUCT, A DEFECT IN THE PRODUCT, OR THE FAILURE OF THE PRODUCT TO PERFORM, EVEN IF SIMPLIFI DIGITAL HAS BEEN ADVISED OF THE POSSIBILITY OF SUCH CLAIMS. IN NO EVENT WILL SIMPLIFI DIGITAL BE LIABLE TO YOU OR ANY OTHER PERSON, REGARDLESS OF THE BASIS OF THE CLAIM OR ACTION, FOR ANY AMOUNT EXCEEDING PURCHASE PRICE ACTUALLY PAID BY YOU FOR THE PRODUCT. Some states do not allow the exclusion or limitation of incidental or consequential damages, so the above limitations may or may not apply to you.

Warranty Service. ALL WARRANTY REPAIR WORK SHALL BE PERFORMED BY SIMPLIFI DIGITAL'S TECHNICIANS AT A FACILITY OF SIMPLIFI DIGITAL. YOU ARE RESPONSIBLE TO PAY FOR SHIPMENT OF THE PRODUCT TO SIMPLIFI DIGITAL'S FACILITY FOR WARRANTY REPAIRS. Simplifi Digital will pay for shipment of the Product to you from Simplifi Digital's facility after warranty repairs are made. If you suspect that the Product is not working properly or if you have questions about the performance of your Products, call Simplifi Digital's customer service department at 916.679.1958 from 8:00 A.M. to 5:00 P.M. Pacific Time Monday through Friday, excluding holidays, or write our customer service department at the following address: Simplifi Digital Inc., 1338 N. Market Street, Sacramento, CA 95834, Attn.: Customer service - Warranty Repair.

LIMITED WARRANTY GIVES YOU SPECIFIC LEGAL RIGHTS, AND YOU MAY ALSO OTHER RIGHTS WHICH VARY FROM STATE TO STATE.

Patents pending.

Simplifi Digital shall not be held liable for technical or editorial omissions or errors made herein; nor for incidental or consequential damages resulting from furnishing, performance, or use of this material. This document contains information protected by copyright.



Simplifi Digital Incorporated
1418W North Market Blvd. 500A
Sacramento, California 95834

Office Hours: Monday - Friday 8-5 Pacific Time

Telephone: **(916) 679-1958**

Fax: **(916) 928-9539**

www.simplifidigital.com

Free Manuals Download Website

<http://myh66.com>

<http://usermanuals.us>

<http://www.somanuals.com>

<http://www.4manuals.cc>

<http://www.manual-lib.com>

<http://www.404manual.com>

<http://www.luxmanual.com>

<http://aubethermostatmanual.com>

Golf course search by state

<http://golfingnear.com>

Email search by domain

<http://emailbydomain.com>

Auto manuals search

<http://auto.somanuals.com>

TV manuals search

<http://tv.somanuals.com>