

# Club 3D AIW 9800 Pro

## The perfect HTPC Match

### Introduction:

The Club 3D All In Wonder™ 9800 Pro is an easy to operate Graphical Powerhouse for your PC. With the excellent interface and functionality of the ATI MultiMedia Center you can turn your PC into a full Home Theater PC. The High Quality build in TV tuner allows fast TV channel browsing and offers easy recording of your favorite TV shows. To guarantee optimal user friendliness an RF remote control is included with a modern 10 foot application interface to have an excellent navigation image on Televisions to operate the software applications.

### Order Information:

- Radeon 9800 Pro AIW 128MB: CGA-AIW98

### Product Positioning:

- Performance market
- Gamer
- HTPC Enthusiast
- AGP HTPC systems

### Specifications:

Item :	Radeon 9800 Pro AIW
Format:	AGP
Engine Clock:	380MHz
Memory Clock:	340MHz
Mem. DDR:	128MB
Memory Bus:	256 bit
Pixel Pipelines:	8
RAMDAC:	400MHz
DVI-I:	✓
CRT:	✓
TV-out:	✓
TV-in:	✓
YPrPb out:	✓

### Features:

- ATI Radeon 9800 Pro 3D Engine
- cvbs/s-video/YPrPb video out
- DVI-I VGA out
- Dolby digital out
- YPrPb component out up to 720p 1080i
- PAL TV tuner
- cvbs/s-video in
- Audio stereo in
- AGP 8x Interface

### Accessories:

- AV Breakout box
- ATI Multimedia center 9.1
- Video breakout box
- Remote Wonder I

### System requirements

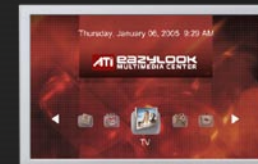
- Intel Pentium or AMD Athlon
- 128MB of system memory
- CD-ROM drive for software installation
- 350Watt or greater Power Supply
- Mainboard with free AGP 4x/8x slot

### Operating System Support

- Windows 2000
- Windows XP

### 3DMark 2003:

- |                       |   |      |
|-----------------------|---|------|
| • Radeon 9600 XT      | : | 3900 |
| • Radeon 9800 Pro     | : | 6650 |
| • Radeon 9800 Pro AIW | : | 6650 |



ATI Multimedia Center



AV break-out box



Remote Receiver



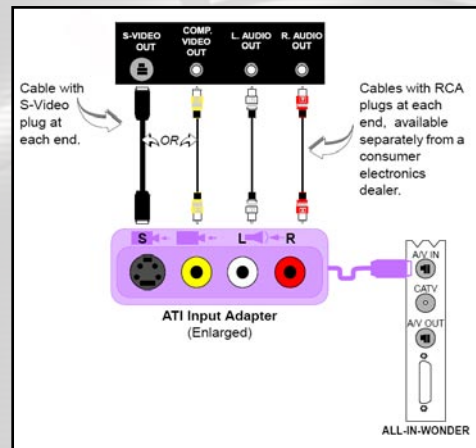
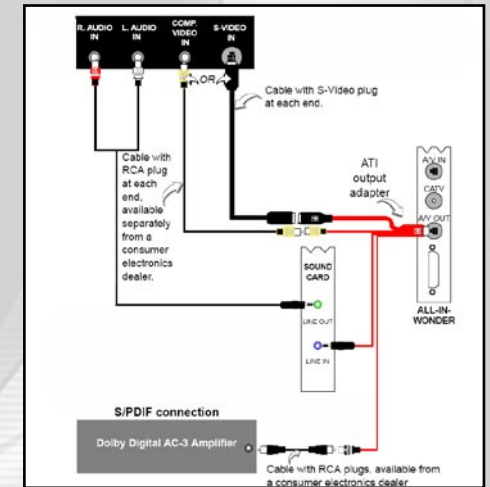
Remote Wonder I

## HOME ENTERTAINMENT FEATURES

- Stereo TV tuner with 125 channels
- Record home made video movies to HDD or DVD burner
- TV-ON-DEMAND™ records programs on your hard drive, pauses live TV and resumes broadcasts on your schedule
- Gemstar GUIDE Plus+™ provides interactive programming guides to select, schedule and record favorite shows
- MULTIMEDIA CENTER™, industry leading suite of integrated multimedia applications
- ATI's new EAZYLOOK™ – remote control user interface
- Radio frequency wireless remote adds the flexibility of a hand held, 30 foot user interface
- Video capture and editing including DVD and VideoCD Authoring
- THRUVIEW™ creates live, translucent TV, video and DVD windows for easy desktop access
- MultiView™ enables dual TV tuner capabilities including Picture-in-Picture and independent channel surfing\*
- THEATER™ 200 video decoder and stereo audio processor with S/PDIF output
- Component Video output via a YPrPb adapter
- High quality 4:1 Normal Map Compression
- Works with any two-channel data format

## VIDEOSHADER™ HD

- Seamless integration of pixel shaders with video in real time
- FULLSTREAM™ video de-blocking technology for Real, DivX, and WMV9 formats
- VIDEOSOAP™ noise removal filtering for captured video
- MPEG1/2/4 decode and encode acceleration
- DXVA Support
- Hardware Motion Compensation,
- iDCT, DCT and color space conversion
- All-format DTV/HDTV decoding
- YPrPb component output for direct drive of HDTV displays†
- Adaptive Per-Pixel De-Interlacing and Frame Rate Conversion (temporal filtering)



Dutch Office:  
Club 3D B.V.  
Diamantlaan 10  
2132 WV Hoofddorp  
The Netherlands

sales@club-3d.nl

German Office:  
Club 3D GmbH  
Jockuschtrasse 2-4  
58511 Ludenscheid  
Germany

sales@club-3d.de

United Kingdom Office:  
Club 3D Ltd.  
2 Blacksmith Row  
Badgers Oak Bassingham  
LN5 9JN Lincoln  
United Kingdom  
sales@club-3d.co.uk

Disclaimer:  
While we endeavor to provide the most accurate, up-to-date information available, the content on this document may be out of date or include omissions, inaccuracies or other errors. Therefore Club 3D does not accept any rights claimed on the content of this document. Please refer to a full overview of our Legacy Terms and Conditions on [www.club-3d.com](http://www.club-3d.com). All content is subject to change without prior notice.  
Copyright © 2005, Club 3D B.V.

**Club** 3D  
MULTIMEDIA

## Free Manuals Download Website

<http://myh66.com>

<http://usermanuals.us>

<http://www.somanuals.com>

<http://www.4manuals.cc>

<http://www.manual-lib.com>

<http://www.404manual.com>

<http://www.luxmanual.com>

<http://aubethermostatmanual.com>

Golf course search by state

<http://golfingnear.com>

Email search by domain

<http://emailbydomain.com>

Auto manuals search

<http://auto.somanuals.com>

TV manuals search

<http://tv.somanuals.com>