

50 PSI Compressor



Assembly, Installation, and Operating Instructions

Model No. IRC607

Yes, you can.™

SAVE THESE INSTRUCTIONS

NOTE: Check ALL parts for shipping damage. If shipping damage is noted, DO NOT use. Contact Carrier/Dealer for further instruction.

SAFETY SUMMARY

The following recommendations are for the safe use of the 50 PSI Compressor:

WARNINGS

“Caution: Federal law restricts this device to sale by or on order of a physician, or any other practitioner licensed by the law of the State in which he practices to use or order the use of this device.”

DO NOT USE WITHOUT FIRST READING AND UNDERSTANDING THESE INSTRUCTIONS. IF YOU ARE UNABLE TO UNDERSTAND THE WARNINGS AND INSTRUCTIONS, CONTACT INVACARE TECHNICAL SERVICES (800- 832-4707) BEFORE PERFORMING THIS INSTALLATION. IMPROPER USE MAY CAUSE PERSONAL INJURY AND/OR EQUIPMENT DAMAGE.

SPECIFIC WARNINGS

TO REDUCE THE RISK OF ELECTRICAL SHOCK OR INJURY TO PERSONS

DO NOT disassemble. Disassembly or attempted repairs if accomplished incorrectly can create electrical shock hazard. Only qualified technicians should perform servicing of this compressor unit.

If this unit is supplied with a three-pronged plug, connect unit to a properly grounded outlet only.

Improper use of the grounding plug can result in a risk of electric shock.

TO REDUCE THE RISK OF ELECTROCUTION, EXPLOSION OR FIRE

This product should NEVER be left unattended when plugged in.

ALWAYS unplug this product IMMEDIATELY after using and store in a dry place.

DO NOT use this product where it can fall or be pulled into water or other liquid.

DO NOT reach for product if it has fallen into liquid. UNPLUG IMMEDIATELY.

SPECIFIC WARNINGS CONTINUED

DO NOT pump anything other than atmospheric air.

NEVER operate this product outdoors in the rain or in a wet area.

DO NOT use this product near flames.

DO NOT use the compressor for continuous operation more than 10 hours, this can result in overheating and damage to the compressor.

NEVER operate this product if it has a damaged cord or plug. If it is not working properly, if it has been dropped or damaged, or if it has fallen into water, return the product to a service center for examination and repair.

DO NOT use this product in or near explosive atmospheres or where aerosol (spray) products are being used.

DO NOT pump combustible liquids or vapors with this product or use in or near an area where flammable or explosive liquids or vapors may exist.

Close supervision is necessary when this product is used near children. NEVER allow children to operate the unit.

Keep the cord away from HEATED surfaces.

NEVER block any air openings (inlet) of the product or place it on a soft surface where the opening may be blocked. Keep all air openings free of lint, dirt and other foreign objects.

NEVER use while sleepy or drowsy.

NEVER drop or insert fingers or any other object into any openings.

DO NOT operate this product in an oxygen enriched environment, i.e. oxygen tent or oxygen hood.

This unit may be thermally protected and can automatically restart when the protector resets. Always disconnect power source before servicing.

Use only in well ventilated areas.

All electrical products generate heat. To avoid serious burns NEVER touch unit during or immediately after operation.

CAUTION

Compressors are precision-made and carefully assembled and wired. Therefore DO NOT disassemble or attempt to repair these products. Only qualified personnel should perform repair service.

REGULATORY LISTING IN COMPLIANCE WITH:

UL 544 - Listed Medical and Dental Equipment

CSA C22.2 No. 125 - Certified Medical and Dental Equipment

GROUNDING INSTRUCTIONS (FIGURE 1)

WARNING

Improper use of the grounding plug can result in a risk of electric shock.

NOTE: This product should be grounded. In the event of an electrical short circuit, grounding reduces the risk of electrical shock by providing an escape wire for the electrical current. This product is equipped with a cord having a grounding wire with a grounding plug. The plug must be plugged into an outlet that is properly installed and grounded.

NOTE: If repair or replacement of the cord or plug is necessary, do not connect the grounding wire to either flat blade terminal. The wire with insulation having an outer surface that is green with or without yellow strips is the grounding wire.

NOTE: This product is for use on a nominal 120 V circuit, and has a grounding plug that looks like the plug illustration in SKETCH A of FIGURE 1. A temporary adapter, which looks like the adapter illustrated in SKETCHES B and C, may be used to connect this plug to 2-pole receptacle as shown in SKETCH B if a properly grounded outlet is not available. The temporary adapter should be used only until a properly grounded outlet (SKETCH A) can be installed by a qualified electrician. The green colored rigid ear, lug and the like extending from the adapter must be connected to a permanent ground such as a properly grounded outlet box cover. Whenever the adapter is used, it must be held in place by the screw.

NOTE: Check with a qualified electrician or serviceman if the grounding instructions are not completely understood, or if in doubt as to whether the product is properly grounded.

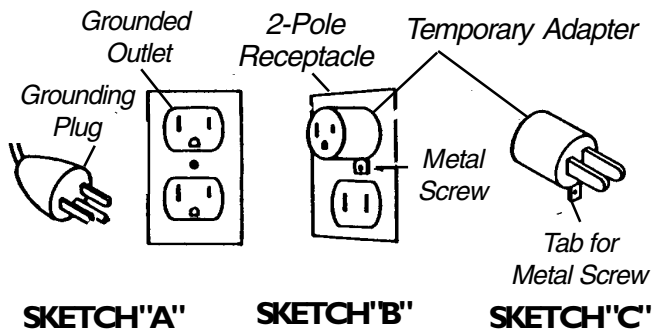


FIGURE 1 - GROUNDING INSTRUCTIONS

ELECTRICAL

Compressor

If the overload protector shuts off the motor frequently, you may have a low voltage situation. Low voltage can also be suspected when:

1. The motor does not get up to full power or speed.
2. Fuses or circuit breakers activate when starting compressor.
3. Lights dim or remain dim when compressor is started.
4. Other motor operated appliances fail to operate properly. Too many motor operated appliances on same circuit.

NOTE: The motor of this compressor has a thermal overload protector. If the motor should overheat, the overload protector will shut off the motor. If this should occur, turn the ON/OFF switch to the OFF position and allow the motor to cool (approximately 5 minutes). Restart compressor. If the compressor fails to start, wait an additional 5 minutes before attempting to restart. If this fails, check for a blown fuse on the household electric circuits. If the unit still does not restart, the motor must be replaced. Call your dealer immediately.

Extension Cords

NOTE: Make certain extension cord is in good condition and is NOT LESS than 18 gauge for 25 feet, 16 gauge for 50 feet and 14 gauge for 100 feet.

OPERATION (FIGURE 2)

WARNING

Proper operation of this product is necessary to avoid physical harm. Improper use can cause personal injury and/or tissue damage. This product should not be used unless the operator has been instructed by a physician or other qualified health care professional.

DO NOT use the compressor for continuous operation more than 10 hours, this can result in overheating and damage to the compressor.

1. Familiarize yourself with this unit.
2. Place unit on table and push down hard so that suction feet hold unit firmly in place.
3. Check to see that the ON/OFF switch is in the OFF position. Plug power cord into electrical outlet.

NOTE: Before attempting to start a cold unit, let the unit reach room temperature in a heated area, then press the ON/OFF switch to start the unit.

- Turn the pressure control knob fully counterclockwise.

NOTE: As the knob is turned counterclockwise the pressure will decrease, as the knob is turned clockwise the pressure will increase.

- Attach the nebulizer tubing to the outlet port.
- Turn the ON/OFF switch to the ON position.

WARNING

Use only the pressure setting directed by your physician or qualified healthcare professional.

- Turn the pressure control knob clockwise to adjust the pressure to the setting specified by your physician's instructions.

NOTE: The pressure gauge needle will vibrate. Adjust the pressure gauge setting as closely as possible to the specified pressure.

- Proceed with therapy per physician's instructions.

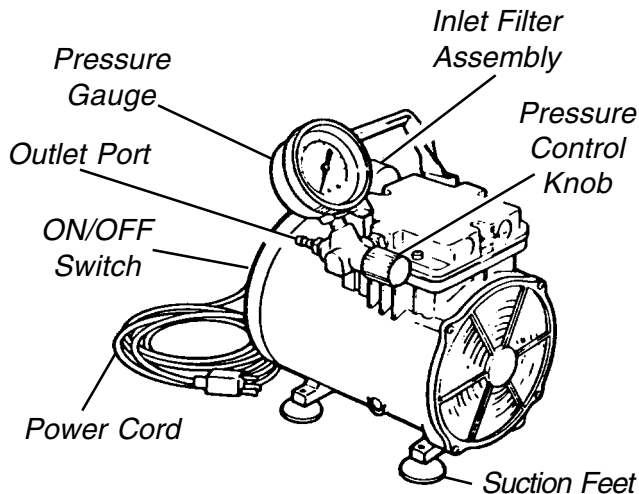


FIGURE 2-OPERATION

CLEANING/REPLACING THE AIR FILTERS (FIGURE 2)

NOTE: Check the filters at least once each month. If the compressor begins to lose pressure in normal use, check the air filters.

- Remove the filter cap from the Inlet Filter Assembly.
- If the foam filter appears dirty, wash with mild detergent and water. Rinse thoroughly and let air dry.

WARNING

DO NOT wash the felt filter. Water damages the felt filter.

- Replace the felt filter if it appears dark in color, becomes clogged, or is damaged.

WARNING

DO NOT operate this compressor without filters installed.

REPLACEMENT PARTS

Felt Filter
Foam Filter
Filter Cap

ACCESSORIES

WARNING

DO NOT use the compressor for continuous operation more than 10 hours, this can result in overheating and damage to the compressor.

J-Tube and DISS Connector for large volume nebulizers

LIMITED WARRANTY

PLEASE NOTE: THE WARRANTY BELOW HAS BEEN DRAFTED TO COMPLY WITH FEDERAL LAW APPLICABLE TO PRODUCTS MANUFACTURED AFTER JULY 4,1975.

This warranty is extended only to the original purchaser of our products.

This warranty gives you specific legal rights and you may also have other legal rights which vary from state to state.

Invacare warrants the 50 PSI Compressor to be free from defects in materials and workmanship for a period of one (1) year from date of purchase. If within such warranty period any such product shall be proven to Invacare's satisfaction to be defective, such product shall be repaired or replaced, at Invacare's option. This warranty does not include normal wear and tear or shipping charges incurred in replacement part installation or repair of such product. Invacare's sole obligation and your exclusive remedy under this warranty shall be limited to such repair or replacement.

For warranty service, please contact Invacare's Service Department during normal working hours at the Toll Free Number listed.

Upon receiving notice of an alleged defect in a product, Invacare will issue a serialized return authorization. It shall then be the responsibility of the purchaser to return, at purchaser's cost, to either Invacare's plant or service center as specified by Invacare in advance. Defective component part(s) must be returned for warranty inspection using the serial number as identification within thirty (30) days of return authorization date. DO NOT return products to our factory without prior consent. C.O.D shipments will be refused - please prepay shipping charges.

LIMITATIONS AND EXCLUSIONS: THE FOREGOING WARRANTY SHALL NOT APPLY TO PRODUCTS SUBJECTED TO NEGLIGENCE, ACCIDENT, IMPROPER OPERATION, MAINTENANCE OR STORAGE, COMMERCIAL OR INSTITUTIONAL USE, PRODUCTS MODIFIED WITHOUT INVACARE'S EXPRESS WRITTEN CONSENT (INCLUDING, BUT NOT LIMITED TO, MODIFICATION THROUGH THE USE OF UNAUTHORIZED PARTS OR ATTACHMENTS) OR TO PRODUCTS DAMAGED BY REASON OF REPAIRS MADE TO ANY COMPONENT WITHOUT THE SPECIFIC CONSENT OF INVACARE, OR TO A PRODUCT DAMAGED BY CIRCUMSTANCES BEYOND INVACARE'S CONTROL.

THE FOREGOING WARRANTY IS EXCLUSIVE AND IN LIEU OF ALL OTHER EXPRESS WARRANTIES. IMPLIED WARRANTIES, IF ANY, INCLUDING THE IMPLIED WARRANTIES OF MERCHANTABILITY AND FITNESS FOR A PARTICULAR PURPOSE, SHALL NOT EXTEND BEYOND THE DURATION OF THE EXPRESSED WARRANTY PROVIDED HEREIN AND THE REMEDY FOR VIOLATIONS OF ANY IMPLIED WARRANTY SHALL BE LIMITED TO REPAIR OR REPLACEMENT OF THE DEFECTIVE PRODUCT PURSUANT TO THE TERMS CONTAINED HEREIN. INVACARE SHALL NOT BE LIABLE FOR ANY CONSEQUENTIAL OR INCIDENTAL DAMAGES WHATSOEVER.

SOME STATES DO NOT ALLOW THE EXCLUSION OR LIMITATION OF INCIDENTAL OR CONSEQUENTIAL DAMAGE, OR LIMITATION ON HOW LONG AN IMPLIED WARRANTY LASTS, SO THE ABOVE EXCLUSION AND LIMITATION MAY NOT APPLY TO YOU.

THIS WARRANTY SHALL BE EXTENDED TO COMPLY WITH STATE/PROVINCIAL LAWS AND REQUIREMENTS.

GUARDE ESTAS INSTRUCCIONES

NOTA: Inspeccione TODAS las piezas por daño durante el envío. Si algún daño es descubierto, NO LA USE. Póngase en contacto con el agente de la entrega o su proveedor, para futuras instrucciones.

SUMARIO DE PRECAUCIONES

Las recomendaciones siguientes se hacen para asegurar el uso seguro y apropiado del compresor de 50 PSI:

ADVERTENCIAS GENERALES

“Precaución: La ley federal restringe este aparato a la venta por a bajo la orden de un médico u otro profesional de la medicina con licencia, otorgada por la ley del Estado donde practica y usa u ordena el uso de este aparato.”

NO USE ESTE PRODUCTO SIN ANTES LEER Y ENTENDER LAS INSTRUCCIONES. SI TIENE DIFICULTAD EN ENTENDER LAS ADVERTENCIAS E INSTRUCCIONES, PÓNGASE EN CONTACTO CON EL DEPARTAMENTO DE SERVICIOS TÉCNICOS DE INVACARE, (TEL. NO. 1-800-832-4707), ANTES DE HACER LA INSTALACION. EL USO INAPROPIADO PUEDE CAUSAR HERIDAS PERSONALES Y/O DAÑO AL EQUIPO.

ADVERTENCIAS ESPECIFICAS

PARA REDUCIR EL RIESGO DE UN CHOQUE ELECTRICO O HERIDAS PERSONALES.

NO desensamble el producto. El intentar desarmarlo y hacer reparaciones incorrectas puede crear el riesgo de un choque eléctrico. Solamente técnicos autorizados y capacitados deben darle servicio a esta unidad.

Si esta unidad tiene un enchufe de tres terminales, conéctelo a un tomacorriente que está propiamente conectado a tierra solamente.

El uso impropio de la conexión a tierra puede resultar en riesgo de choque eléctrico.

PARA REDUCIR EL RIESGO DE ELECTROCUCION, EXPLOSION O INCENDIO

Este rproducto NUNCA debe desatenderse mientras está conectado a energía eléctrica.

SIEMPRE desconéctelo INMEDIATAMENTE después de usarlo y guárdelo en un lugar seco.

NO USE este producto donde pueda caerse o ser jalado y caer en agua u otro líquido.

NO trate de sacarlo si ha caído en algún líquido. DESCONECTELO INMEDIATAMENTE.

ADVERTENCIAS ESPECIFICAS

NO bombee ninguna otra cosa. Solamente aire admosférico.

NUNCA opere este producto afuera bajo lluvia o en un area mojada.

NO USE este producto cerca de llamas de fuego.

NO USE este compresor de manera continua por mas de 10 horas, pues puede recalentarse y ser dañado.

NUNCA opere este producto si el cordón eléctrico o el enchufe están dañados, si no funciona apropiadamente, si se ha caído o dañado, o si ha caído en agua. Retórnelo al centro de servicio para un cuidadoso examen y reparación.

NO USE este producto en o cerca de admósferas explosivas o donde productos de aerosol (rociador) astán siendo usados.

NO bombee líquidos combustibles o vapores con este producto. No lo use cerca de areas donde líquidos inflamables o vapores explosivos pudieran existir.

Estrecha supervisión es necesaria cuando este producto es usado cerca de niños. NUNCA permita que niños operen esta unidad.

Mantenga el cordón eléctrico lejos de superficies calientes.

NUNCA obstruya la abertura o entrada de aire del producto. No la coloque sobre una superficie suave donde ésta pudiera ser obstruida. Mantenga todas las entradas de aire libres de fibras de hilo, polvo o sustancias ajenas.

NUNCA lo use mientras duerme o está soñoliento.

NUNCA inserte los dedos o deje caer algún objeto dentro de las aberturas.

NO opere este producto en un ambiente enriquecido con oxígeno. En otras palabras: un toldo o cubierta para oxígeno.

Puede que esta unidad tenga protección termal y puede que se inicie por sí sola al enfriar, cuando el protector termal restablezca el contacto. Siempre desconecte el cordón eléctrico antes de darle servicio.

Esta unidad debe usarse solamente en areas bien ventiladas.

Todo producto eléctrico genera calor. Para evitar serias quemaduras, NUNCA toque esta unidad durante o inmediatamente después de usarla.

PRECUACION

Estos compresores son hechos con precisión y cuidadosamente ensamblados y alambrados. Por consiguiente, NO LO DESENSAMBLE ni trate de repararlo. Solamente personal capacitado debe llevar a cabo el servicio y reparaciones necesarias.

CERTIFICACIONES REGULATORIAS EN CUMPLIMIENTO CON:

UL 544 - Equipo para uso Médico y Dental

CSA C22.2 No. 125 - Certificación para Equipo de uso Médico y Dental

INSTRUCCIONES PARA CONECCION A TIERRA (FIGURA 1)

ADVERTENCIA

El uso inapropiado de la conexión a tierra puede resultar en riesgo de choque eléctrico.

NOTA: Este producto debe de ser conectado a tierra. En caso de un corto circuito, la conexión a tierra reduce el riesgo de choque eléctrico sirviendo de alambre de escape a la corriente eléctrica. Este producto está equipado con un cordón que tiene un alambre con una terminal para conexión a tierra. El enchufe debe de ser conectado a un tomacorriente que está debidamente instalado y conectado a tierra.

NOTA: Si es necesario reparar o reemplazar el cordón o el enchufe, no conecte el alambre que va a tierra a una de las terminales planas, en forma de hoja. El alambre con insulación color verde, con o sin líneas amarillas, es el alambre para la conexión a tierra.

NOTA: Este producto es para uso en un circuito nominal de 120 voltios y tiene un enchufe con conexión para tierra y luce como el enchufe de la ilustración en el DIBUJO A de la FIGURA 1. Un adaptador temporal, que luce como el adaptador ilustrado en el DIBUJO B y C, puede usarse para conectar este enchufe a un receptáculo de dos (2) polaridades, según se muestra en el DIBUJO B, si un receptáculo apropiado con la debida conexión a tierra no está disponible. El adaptador temporal debe usarse solamente hasta que un tomacorriente con la conexión apropiada a tierra pueda ser instalado por un electricista capacitado. La oreja rígida color verde que se extiende del adaptador debe de ser conectada a un contacto permanente a tierra, tales como a la cobertura de la caja metálica del tomacorriente. Cada vez que el adaptador sea usado, éste debe de ser sostenido firmemente usando un tornillo de metal.

NOTA: Consulte con un electricista o un técnico de servicio capacitado si tiene dificultad en comprender completamente las instrucciones o si tiene alguna duda en cuanto a si el producto está conectado apropiadamente a tierra.

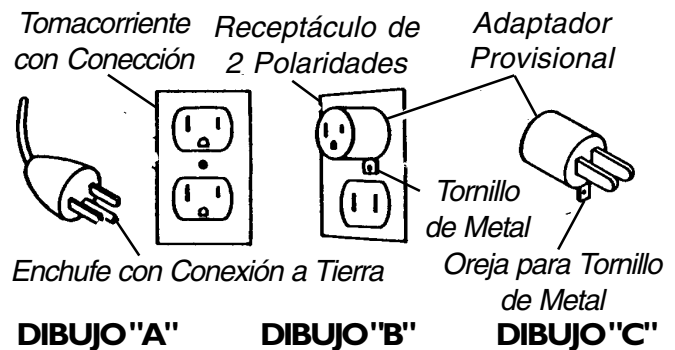


FIGURE I - INSTRUCCIONES PARA CONECCION A TIERRA

ELECTRICAL

Compresor

Si el protector de sobre carga interrumpe el motor del compresor frecuentemente, usted pudiera tener una situación de bajo voltage. Bajo voltage puede sospecharse también cuando:

1. El motor no desarrolla velocidad o fuerza completa.
2. Los fusibles o interruptores automáticos de la casa son activados cuando el compresor es iniciado.
3. Las luces no encienden con su normal intensidad y permanecen así mientras el compresor esta trabajando.
4. Otro aparato operado a motor eléctrico no funciona apropiadamente. Muchos aparatos eléctricos funcionando en el mismo circuito eléctrico de la casa.

NOTA: El motor de este compresor posee un protector de sobrecarga termal. Si el motor se sobrecalienta, el protector de sobrecarga lo interrumpirá. Si eso ocurre, tire el interruptor de corriente a la posición "OFF" y permita que el motor enfríe (Cuando menos 5 minutos). Inicie el compresor de nuevo. Si otra vez falla, inspeccione los fusibles de la casa. Puede que haya uno quemado. Si después de esto la unidad no puede ser iniciada, el motor probablemente necesite reemplazo. Llame a su proveedor del producto inmediatamente.

Extensiones Electricas

NOTA: Asegúrese de que la extensión eléctrica está en buena condición. Para una extensión de 25 pies de largo, el alambre DEBE ser número 18, para 50 pies número 16 y para 100 pies número 14.

OPERACION (FIGURA 2)

ADVERTENCIA

Para evitar daño físico, es necesario operar este producto apropiadamente. El uso inapropiado puede causar heridas personales y/o daño al tejido. Este producto no debe de ser usado a menos que sea bajo las intrucciones de un médico u otro profesional capacitado del ramo.

NO USE este compresor de manera continua por más de 10 horas, pues puede recalentarse y ser dañado.

1. Familiarícese con la unidad.
2. Colóquela sobre una mesa y empújela hacia abajo a fin de que la succión de las patas agarre y quede firmamente asida.
3. Inspeccione el interruptor y vea que esté en la posición "OFF". Conecte en enchufe al tomacorriente eléctrico.

NOTA: Antes de iniciar una unidad que está fría, permítale alcanzar la temperatura de la habitación, entonces accione el interruptor a la posición "on" para iniciarla.

4. Gire el botón de control de la presión hacia la izquierda.

NOTA: Conforme el botón es girado hacia la izquierda, la presión disminuirá. Al girar el botón hacia la derecha, la presión aumentara.

5. Conecte el tubo del vaporizador a la salida de aire del compresor.
6. Accione el interruptor a la posición "ON".

ADVERTENCIA

Ajuste la presión de la unidad solamente a la presión especificada por su médico o profesional técnico del ramo.

7. Gire el botón de controlar la presión hacia la derecha para alcanzar la presión especificada por su médico.

NOTA: La aguja indicadora de la presión vibrará. Ajuste la lectura de la presión lo mas cerca posible a la presión especificada.

8. Proceda con el tratamiento según las instrucciones dadas por su médico.

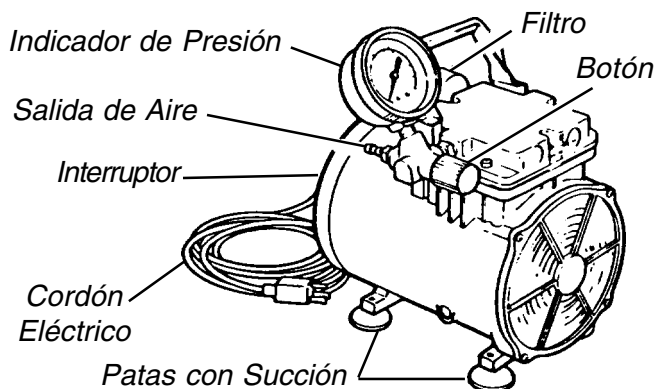


FIGURA 2 - OPERACION

LIMPIANDO/REEMPLAZANDO LOS FILTROS (FIGURA 2)

NOTA: Inspeccione los filtros cuando menos una vez al mes. Si el compresor empieza a perder presión bajo uso normal, inspeccione los filtros.

1. Remueva la tapa que sostiene los filtros.
2. Si el filtro de esponja está sucio, límpielo con agua y jabón. Enjuágelo y séquelo al aire.

ADVERTENCIA

NO lave el filtro de felpa. El filtro de felpa se daña al mojarlo.

3. Reemplazaca el filtro de felpa si éste está sucio, si ha cambiado a un color oscuro o si está dañado.

ADVERTENCIA

NUNCA opere esta unidad sin los filtros.

PARTES DE REPUESTO

Filtro de Felpa
Filtro de Esponja
Tapa del Filtro

ACCESORIOS

ADVERTENCIA

NO USE este producto de manera continua por mas de 10 horas, pues puede recalentarse y ser dañado.

Tubo en forma de "J" y el conector DISS para vaporizadores de alto volumen.

GARANTÍA

NOTA: Esta garantía ha sido escrita para cumplir con la ley federal de los Estados Unidos aplicable a productos después del 4 de Julio de 1975.

Esta garantía se extiende únicamente al comprador original de nuestros productos.

Esta garantía le da derechos legales específicos y usted pudiera tener otros derechos legales los cuales varían de estado a estado.

Invacare garantiza por un año, desde la fecha de compra, que los materiales y la mano de obra utilizados en el compresor Modelo IRC607 están libres de defectos. Si dentro del período de la garantía el producto cubierto por la misma fuera encontrado con algún defecto, el cual tiene que ser comprobado por Invacare, tal producto debe ser reparado o reemplazado a opción de Invacare. Esta garantía no cubre el deterioro causado por desgaste normal debido a uso. Tampoco cubre gastos incurridos por envío y transportación del producto o partes de/o para el mismo debido a un reclamo por garantía. La única obligación de Invacare y el único remedio al dueño del producto bajo esta garantía queda limitada a reparación o reemplazo.

Cuando necesite un servicio cubierto por la garantía, por favor póngase en contacto con el Departamento de Servicio llamando al número de teléfono anotado abajo, a horas regulares de trabajo.

Al recibir información acerca de posible defecto en un producto, Invacare le proveerá un número de registro con el cual autorizará el retorno del mismo. De allí en adelante es responsabilidad del comprador enviarlo a nuestra planta o a un Centro de Servicio especificado por Invacare previamente, a costo propio. Una pieza defectuosa, bajo garantía, debe ser retornada para inspección usando el número de serie que identifica el producto, dentro de treinta (30) días después de la fecha en que se expidió el número de registro. Por favor NO envíe a la fábrica productos sin previo consentimiento. Entregas C.O.D. serán rehusadas. Sírvase pagar los cargos de envío.

LIMITACIONES Y EXCLUSIONES: LA GARANTÍA QUE PRECEDE NO APLICA A PRODUCTOS QUE HAN SIDO SUJETOS A NEGLIGENCIA, ACCIDENTE, USO IMPROPIO, MANTENIMIENTO INAPROPIADO, LARGO PERÍODO DE ALMACENAMIENTO, USO COMERCIAL O INSTITUCIONAL, PRODUCTOS MODIFICADOS SIN EL CONSENTIMIENTO EXPRESO DE INVACARE POR ESCRITO (INCLUYENDO, PERO NO LIMITADO A, MODIFICACIÓN POR MEDIO DEL USO NO AUTORIZADO DE PARTES O ACCESORIOS) O PRODUCTOS DAÑADOS DEBIDO A REPARACIONES HECHAS CON PIEZAS NO AUTORIZADAS NI ESPECIFICADAS POR INVACARE, O PRODUCTOS DAÑADOS POR CIRCUNSTANCIAS TOTALMENTE FUERA DEL CONTROL DE INVACARE.

LA GARANTÍA QUE PRECEDE ES EXCLUSIVA Y TOMA EL LUGAR DE CUALQUIER OTRA GARANTÍA EXPRESA. GARANTÍAS IMPLÍCITAS, SI ACASO, INCLUYENDO GARANTÍAS IMPLÍCITAS MARCANTILES O ADAPTADAS PARA UN PROPÓSITO EN PARTICULAR, NO DEBEN EXTENDER LA DURACIÓN DE LA GARANTÍA EXPRESADA AQUÍ, Y NUESTRA OBLIGACIÓN POR VIOLACIONES A CUALQUIER GARANTÍA IMPLÍCITA DEBE SER LIMITADA A LA REPARACIÓN O REEMPLAZO DEL PRODUCTO DEFECTUOSO CONFORME A LOS TÉRMINOS AQUÍ ESTABLECIDOS. INVACARE NO ES RESPONSABLE POR CUALQUIER DAÑO CONSECUENTE O ACCIDENTAL EN ABSOLUTO.

EN ALGUNOS ESTADOS NO SE PERMITE LA EXCLUSIÓN O LIMITACIÓN A DAÑO CONSECUENTE O POR ACCIDENTE EN CUANTO A QUÉ TIEMPO LA GARANTÍA IMPLÍCITA DURA. POR CONSIGUIENTE DICHA EXCLUSIÓN Y LIMITACIÓN PODRIA NO APLICARLE A USTED.

ESTA GARANTIA DEBE SER EXTENDIDA PARA CUMPLIR CON LAS LEYES Y REQUERIMIENTOS DE ESTADO O PROVINCIA.

CONSERVEZ CES INSTRUCTIONS

NOTE: Vérifier toutes les pièces pour s'assurer qu'elles n'ont pas été endommagées pendant le transport. Le cas échéant, NE PAS utiliser. Contacter le transporteur/fournisseur pour plus d'instructions.

RÉSUMÉ DES CONSIGNES DE SÉCURITÉ

Les recommandations suivantes visent l'utilisation sécuritaire du compresseur 50 PSI.

AVERTISSEMENTS GÉNÉRAUX

ATTENTION : Suivant la loi fédérale, cet appareil doit être vendu par un médecin ou sur prescription de ce dernier, ou par tout autre praticien reconnu par légal où il pratique, utilise ou prescrit cet appareil.

NE PAS UTILISER SANS D'ABORD AVOIR LU ET COMPRIS CES INSTRUCTIONS. SI VOUS NE COMPRENEZ PAS LES AVERTISSEMENTS ET LES INSTRUCTIONS, CONTACTER LE SERVICE TECHNIQUE INVACARE (800-832-4707) AVANT DE TENTER L'INSTALLATION. UNE MAUVAISE UTILISATION PEUT CAUSER DES BLESSURES ET/OU DES DOMMAGES À L'ÉQUIPEMENT.

AVERTISSEMENTS SPÉCIFIQUES

POUR RÉDUIRE LES RISQUES DE DÉCHARGES ÉLECTRIQUES OU DE BLESSURES

NE PAS démonter. Une réparation ou un démontage incorrect pourrait entraîner des décharges électriques. Seuls des techniciens qualifiés et autorisés devraient effectuer l'entretien de ce compresseur.

Si cet appareil est livré avec une fiche à trois tiges, brancher l'appareil dans une fiche adéquatement mise à la terre.

Une utilisation inadéquate de la fiche de mise à la terre peut provoquer des décharges électriques.

POUR RÉDUIRE LES RISQUES D'ÉLECTROCUTIONS, D'EXPLOSION OU D'INCENDIE, cet appareil ne devrait JAMAIS être laissé sans surveillance lorsqu'il est branché.

TOUJOURS débrancher l'appareil IMMÉDIATEMENT après l'utilisation et entreposer dans un endroit sec.

NE PAS utiliser cet appareil à proximité de l'eau ou d'un autre liquide.

AVERTISSEMENTS SPÉCIFIQUES

NE PAS tenter d'atteindre l'objet s'il est tombé dans un liquide. Débrancher IMMÉDIATEMENT.

Pomper SEULEMENT de l'air atmosphérique.

NE JAMAIS utiliser cet appareil à l'extérieur sous la pluie ou dans un endroit mouillé.

NE PAS utiliser cet appareil près des flammes.

NE PAS utiliser le compresseur pendant plus de 10 heures consécutives; le compresseur pourrait surchauffer et s'endommager.

NE JAMAIS utiliser cet appareil si le cordon ou la fiche sont endommagés. Si l'appareil ne fonctionne pas adéquatement, a été endommagé ou échappé ou est tombé dans l'eau, retourner l'appareil au centre de service pour l'entretien et la réparation.

NE PAS utiliser cet appareil dans ou près d'un atmosphère explosif où des aérosols sont utilisés.

NE PAS pomper de liquides ou de vapeurs combustibles avec cet appareil ou l'utiliser dans ou à proximité d'un endroit où des liquides ou des vapeurs explosifs ou inflammables pourraient être présents.

Une supervision étroite est nécessaire lorsque cet appareil est utilisé à proximité des enfants. **NE JAMAIS laisser les enfants utiliser cet appareil.**

Garder le cordon loin des sources de chaleur.

NE JAMAIS bloquer les entrées d'air de cet appareil ou le placer sur une surface molle qui pourrait bloquer les entrées. Garder toutes les entrées d'air propres, sans poussière, saleté ou autres objets.

NE JAMAIS utiliser si vous êtes fatigué ou somnolent.

NE JAMAIS laisser tomber d'objets ou insérer les doigts ou autres objets dans les entrées d'air.

NE PAS utiliser cet appareil dans un endroit contenant de l'air enrichi d'oxygène, i.e. tente à oxygène ou cagoule à oxygène.

Cet appareil peut comporter une protection thermique et peut redémarrer automatiquement lorsque le protecteur se désenclenche. Toujours débrancher avant d'effectuer l'entretien.

Utiliser seulement dans un endroit bien aéré.

Tous les appareils électriques produisent de la chaleur. Pour éviter des brûlures graves, **NE JAMAIS toucher à l'appareil pendant ou immédiatement après son fonctionnement.**

ATTENTION

Les compresseurs sont des appareils de précision, assemblés et filetés avec soins. NE PAS démonter ou tenter de réparer cet appareil. Seul un personnel qualifié devrait effectuer les réparations.

CLASSEMENT DE CONTRÔLE CONFORMÉMENT À:

UL 544 - figure sur la liste des équipements médicaux et dentaires.

CSA C22.2 No. 125 - Équipement dentaire et médical certifié

INSTRUCTIONS DE MISE À LA TERRE (FIGURE 1)

AVERTISSEMENT

Une mauvaise utilisation de la mise à la terre peut causer des décharges électriques.

NOTE: Cet appareil devrait être mis à la terre. Lors d'un court circuit électrique, la mise à la terre diminue les risques de décharges grâce au fil d'échappement du courant électrique. Ce produit est muni d'un cordon avec fil et fiche de mise à la terre. La fiche doit être branchée dans une prise adéquate.

NOTE: Si vous devez réparer ou remplacer le cordon ou la fiche, ne pas connecter le fil de mise à la terre aux bornes des lames de la fiche. Le fil isolé avec une surface verte avec ou sans lignes jaunes est le fil de mise à la terre.

NOTE: Cet appareil est conçu pour un circuit 120 volts et comporte une fiche avec mise à la terre ressemblant à celle du SCHÉMA A de la FIGURE 1. Un adaptateur temporaire, ressemblant à celui des SCHÉMAS B et C de la FIGURE 1, peut être utilisé pour connecter cette fiche à une prise à deux orifices tel qu'illustrés au SCHÉMA B, si une prise avec mise à la terre adéquate n'est pas disponible. L'adaptateur temporaire ne devrait être utilisé qu'en attendant de pouvoir faire installer une prise avec mise à la terre (SCHÉMA "A") par un électricien qualifié. La languette rigide verte, l'oreille et autres sortant de l'adaptateur doivent être connectés à une mise à la terre permanente tel qu'un couvercle de boîte de prise adéquatement mis à la terre. Chaque fois que l'adaptateur est utilisé, il doit être maintenu en place par la vis.

NOTE: Vérifier auprès d'un électricien ou un réparateur qualifié si vous ne comprenez pas complètement ces instructions de mise à la terre, ou si vous avez un doute quant à la mise à la terre de cet appareil.

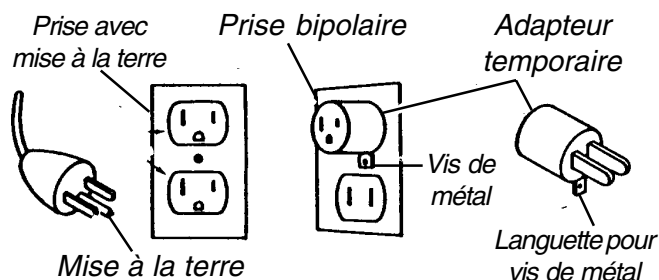


SCHÉMA "A" SCHÉMA "B" SCHÉMA "C"

FIGURE 1 - INSTRUCTIONS DE MISE À LA TERRE

ÉLECTRICITÉ

Compresseur

Si le protecteur de surcharge éteint le moteur fréquemment, vous avez peut-être un problème de faible voltage. Un faible voltage peut également être soupçonné si:

1. Le moteur n'atteint pas la vitesse ou la puissance maximale.
2. Les fusibles ou les disjoncteurs de circuit se déclenchent dès que le compresseur est mis en marche.
3. Les lumières faiblissent ou demeurent faibles lorsque le compresseur est mis en marche.
4. D'autres appareils fonctionnant avec un moteur ne fonctionnent pas adéquatement. Il y a trop d'appareils branchés sur le même circuit.

NOTE: Le moteur de ce compresseur est muni d'un protecteur de surcharge thermique. Si le moteur surchauffe, le protecteur de surcharge éteindra le moteur. Si cela se produit, mettre l'interrupteur ON/OFF en position OFF et laisser le moteur refroidir (environ 5 minutes). Remettre en marche le compresseur. Si le compresseur ne redémarre pas, attendre encore 5 minutes. Si la panne persiste, vérifier si un fusible de la maison est brûlé. Si l'appareil ne se remet pas en marche, le moteur doit être remplacé. Contacter votre fournisseur immédiatement.

Rallonges

NOTE: S'assurer que la rallonge est en bon état et que le calibre est D'AU MOINS 18 pour 25 pi., de 16 pour 50 pi. et de 14 pour 100 pi.

FONCTIONNEMENT (FIGURE 2)

AVERTISSEMENT

Le fonctionnement adéquat de cet appareil est nécessaire pour éviter les blessures. Une mauvaise utilisation peut causer des blessures et/ou des dommages aux tissus. Cet appareil ne doit pas être utilisé si l'utilisateur n'a pas été formé par un médecin ou un professionnel des soins de santé qualifié.

NE PAS utiliser le compresseur pendant plus de 10 heures consécutives; le compresseur pourrait surchauffer et s'endommager.

1. Se familiariser avec l'appareil.
2. Placer l'appareil sur une table et appuyer fortement pour que les ventouses tiennent fermement l'unité en place.
3. S'assurer que l'interrupteur ON/OFF est en position OFF. Brancher le cordon d'alimentation dans une prise électrique.

NOTE: Avant de tenter de mettre en marche l'appareil froid, le laisser se réchauffer à la température de la pièce. Appuyer ensuite sur l'interrupteur ON/OFF pour mettre l'appareil en marche.

4. Tourner le bouton de contrôle de la pression complètement dans le sens contraire des aiguilles d'une montre.

NOTE: Au fur et à mesure que le bouton est tourné dans le sens contraire des aiguilles d'une montre, la pression diminue, lorsque le bouton est tourné dans le sens des aiguilles d'une montre, la pression augmente.

5. Fixer le tube du nébulisateur sur le port de sortie.
6. Mettre l'interrupteur ON/OFF en position ON.

AVERTISSEMENT

Utiliser seulement le réglage de pression prescrit par votre médecin ou votre professionnel des soins de santé.

7. Tourner le bouton de contrôle de la pression dans le sens des aiguilles d'une montre pour régler la pression au niveau prescrit par votre médecin.

NOTE: L'aiguille de la jauge de pression vibrera. Régler la jauge de pression le plus près possible de la pression prescrite.

8. Commencer le traitement selon les instructions du médecin.

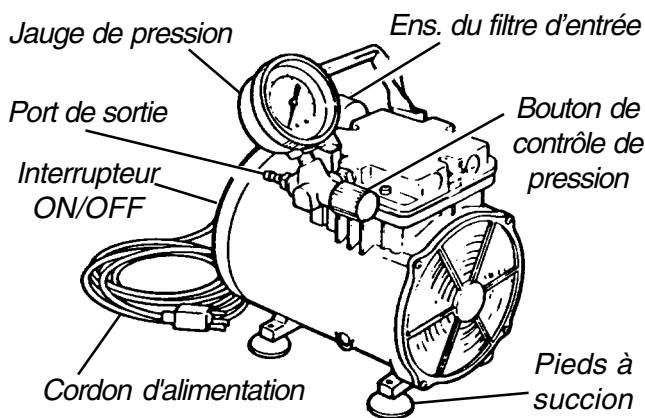


FIGURE 2- FONCTIONNEMENT

NETTOYER ET REMPLACER LES FILTRES À AIR

NOTE: Vérifier les filtres à air au moins une fois par mois. Si le compresseur commence à perdre de la pression pendant l'utilisation normale, vérifier les filtres à air.

1. Enlever le capuchon du filtre de l'ensemble du filtre d'entrée.
2. Si le filtre en mousse semble sale, le laver à l'eau et au savon doux. Bien rincer et laisser sécher à l'air libre.

AVERTISSEMENT

NE PAS laver le filtre en feutre. L'eau endommage le filtre en feutre.

3. Remplacer le filtre en feutre s'il semble de couleur foncée, bouché ou endommagé.

AVERTISSEMENT

NE PAS utiliser le compresseur sans les filtres.

PIÈCES DE RECHANGE

Filtre en feutre
Filtre en mousse
Capuchon du filtre

ACCESSOIRES

AVERTISSEMENT

NE PAS utiliser le compresseur pendant plus de 10 heures consécutives; le compresseur pourrait surchauffer et s'endommager.

Tube en J et connecteur DISS pour les nébulisateurs à grand volume.

GARANTIE LIMITÉE

REMARQUE: LA GARANTIE CI-DESSOUS A ÉTÉ RÉDIGÉE EN ACCORD AVEC LA LOI FÉDÉRALE APPLICABLE SUR LES PRODUITS FABRIQUÉS APRÈS LE 4 JUILLET 1975.

Cette garantie est valable pour l'acheteur/utilisateur initial de nos produits seulement.

Cette garantie vous donne des droits légaux spécifiques. D'autres droits variant d'un État à l'autre peuvent se rajouter.

INVACARE garantit le compresseur 50 PSI contre tout défaut de fabrication ou défaut dans le matériel pour une période d'un (1) an à partir de la date d'achat. Si, durant cette période, ce produit devait s'avérer défectueux, ce dernier sera réparé ou remplacé, suivant le choix d'INVACARE. Cette garantie ne comprend pas l'usure normale ou les frais d'envoi reliés au remplacement ou à la réparation de ce produit. La seule et unique obligation d'INVACARE se limite au remplacement ou à la réparation du produit.

Pour le service, contacter le centre de service Invacare aux heures normales d'ouverture au numéro sans frais indiqué.

À la réception d'un appareil présumé défectueux, Invacare émettra une autorisation de retour. L'acheteur doit, par la suite, retourner l'appareil défectueux, à ses frais, soit à l'usine Invacare soit au centre de service tel que spécifié préalablement par Invacare. Les pièces défectueuses doivent être retournées pour vérification de garantie, en indiquant le numéro de série, dans les trente (30) jours suivant la date de réception de l'autorisation de retour. NE PAS retourner un produit à l'usine sans d'abord avoir obtenu notre consentement. Les envois C.O.D. (payables sur réception) seront refusés. Veuillez payer à l'avance les frais d'envoi.

RESTRICTIONS: LA PRÉSENTE GARANTIE NE S'APPLIQUE PAS AUX PRODUITS MAL ENTRETENUS, ACCIDENTÉS, INADÉQUATEMENT UTILISÉS, ENTRETENUS OU ENTREPOSÉS, UTILISÉS À DES FINS COMMERCIALES OU INSTITUTIONNELLES, AUX PRODUITS MODIFIÉS SANS LE CONSENTEMENT ÉCRIT D'INVACARE (INCLUANT, MAIS NE SE LIMITANT PAS À, LA MODIFICATION AVEC DES PIÈCES OU ACCESSOIRES NON AUTORISÉS) OU AUX PRODUITS ENDOMMAGÉS PAR DES RÉPARATIONS FAITES SANS L'APPROBATION SPÉCIFIQUE D'INVACARE, OU AUX PRODUITS ENDOMMAGÉS DANS DES CIRCONSTANCES AU-DELÀ DU CONTRÔLE D'INVACARE.

LA PRÉSENTE GARANTIE EST EXCLUSIVE ET REMPLACE TOUTES LES AUTRES GARANTIES. LES GARANTIES IMPLICITES, S'IL Y A LIEU, INCLUANT LA GARANTIE DE COMMERCIALISATION ET D'AJUSTEMENT DANS UN BUT PARTICULIER NE DOIVENT PAS SE PROLONGER AU-DELÀ DE LA DURÉE DE LA PRÉSENTE GARANTIE, ET LE RECOURS POUR VIOLATION DE QUELCONQUE GARANTIE IMPLICITE DOIT SE LIMITER À LA RÉPARATION OU AU REMPLACEMENT DU PRODUIT DÉFECTUEUX CONFORMÉMENT AUX PRÉSENTS TERMES. INVACARE NE SERA PAS TENU RESPONSABLE POUR TOUT DOMMAGE-INTÉRÊT DIRECT OU ACCESSOIRE.

CERTAINS ÉTATS NE PERMETTENT PAS D'EXCLUSIONS DE DOMMAGES-INTÉRÊTS OU DE DURÉE DE GARANTIE IMPLICITE, LES RESTRICTIONS CI-HAUT MENTIONNÉES PEUVENT NE PAS S'APPLIQUER DANS VOTRE CAS.

CETTE GARANTIE DEVRA ÊTRE ÉLARGIE POUR RÉPONDRE AUX LOIS ET AUX RÈGLEMENTS DES ÉTATS (PROVINCES).



Yes, you can.™

Invacare Corporation

www.invacare.com

USA
One Invacare Way
Elyria, Ohio USA
44036-2125
800-333-6900

Canada
5970 Chedworth Way
Mississauga, Ontario
L5R 3T9, Canada
905-890-8838

Invacare is a registered trademark of Invacare Corporation.
© 1999 Invacare Corporation

Form No. 91-221 (Part No. 636960) Rev D (I) 7/00

Free Manuals Download Website

<http://myh66.com>

<http://usermanuals.us>

<http://www.somanuals.com>

<http://www.4manuals.cc>

<http://www.manual-lib.com>

<http://www.404manual.com>

<http://www.luxmanual.com>

<http://aubethermostatmanual.com>

Golf course search by state

<http://golfingnear.com>

Email search by domain

<http://emailbydomain.com>

Auto manuals search

<http://auto.somanuals.com>

TV manuals search

<http://tv.somanuals.com>