

Elevated Toilet Seat



Assembly, Installation and Operating Instructions

Model No. I384

SAVE THESE INSTRUCTIONS

NOTE: Check all parts for shipping damage. In case of shipping damage, DO NOT use. Contact Dealer/Carrier for further instruction.

SAFETY SUMMARY

The following recommendations are made for the safe installation of the Elevated Toilet Seat:

GENERAL WARNINGS

DO NOT install this equipment without first reading and understanding this instruction sheet. If you are unable to understand these Warnings, Cautions and Instructions, contact a healthcare professional, dealer or technical personnel if applicable before attempting to install this equipment - otherwise, injury or damage may occur.

Always check to make sure that the Elevated Toilet Seat is properly and securely locked in place before using.

Ensure that all four (4) mounting brackets are adjusted to the same height-otherwise injury or damage may occur.

Be sure to center your weight on the Elevated Toilet Seat because the seat may tip if you lean too far forward or to either side.

Users with limited physical capabilities should be supervised or assisted when using the Elevated Toilet Seat.

The Elevated Toilet Seat has a recommended weight limitation of 250 lbs.(114 kg.).

SEAT INSTALLATION (FIGURE 1)

NOTE: Refer to the GENERAL WARNINGS in the SAFETY SUMMARY of this instruction sheet.

1. Remove contents from the carton.

NOTE: There are three (3) height adjustment positions. The Elevated Toilet Seat is shipped in the middle position.

2. Remove two (2) horizontal mounting bolts and adjust bracket to desired height. Finger tighten only. Repeat for remaining three (3) brackets.
3. Visually inspect that all four (4) mounting brackets are adjusted to the same height.

4. Loosen vertical mounting bolt with wrench provided.
5. Position adjustable elevated toilet seat onto toilet bowl.
6. Twist or pivot each mounting bracket against toilet bowl rim.
7. After all four (4) mounting brackets have been positioned properly, securely tighten **ALL** mounting bolts.

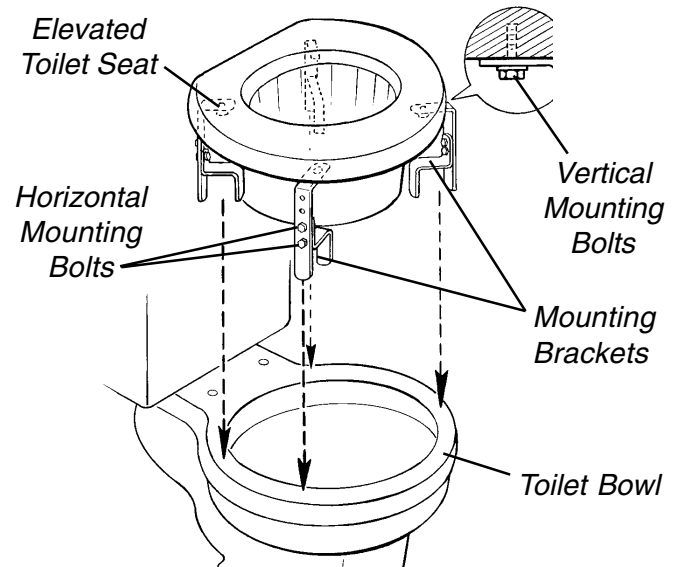


FIGURE 1 - SEAT INSTALLATION/REMOVAL

SEAT REMOVAL (FIGURE 1)

NOTE: Refer to the GENERAL WARNINGS in the SAFETY SUMMARY of this instruction sheet.

1. Loosen horizontal mounting bolts on all four (4) mounting brackets.
2. Lift up Elevated Toilet Seat off of the toilet bowl.

CLEANING PROCEDURES

WARNING

DO NOT use an abrasive detergent, cleaner or cloth to clean/dry the Elevated Toilet Seat.

1. Use a non-abrasive detergent or cleaner with warm water.
2. Rinse with warm water and wipe dry with a non-abrasive cloth.

OVER

LIMITED WARRANTY

PLEASE NOTE: THE WARRANTY BELOW HAS BEEN DRAFTED TO COMPLY WITH FEDERAL LAW APPLICABLE TO PRODUCTS MANUFACTURED AFTER JULY 4, 1975.

This warranty is extended only to the original purchaser/user of our products.

This warranty gives you specific legal rights and you may also have other legal rights which vary from state to state.

The manufacturer warrants its product to be free from defects in materials and workmanship for a period of five (5) years from the date of purchase by the original purchaser. If within such warranty period any such product shall be proven to be defective, such product shall be repaired or replaced, at the manufacturer's option. This warranty does not include any labor or shipping charges incurred in replacement part installation or repair of any such product. The manufacturer's sole obligation and your exclusive remedy under this warranty shall be limited to such repair and/or replacement.

For warranty service, please contact the dealer from whom you purchased your product. In the event you do not receive satisfactory warranty service, please write directly to the manufacturer at the address on the bottom of this page. Provide dealer's name, address, model number, date of purchase, indicate nature of the defect and, if the product is serialized, indicate the serial number.

The manufacturer will issue a return authorization. The defective unit or parts must be returned for warranty inspection using the serial number, when applicable, as identification within thirty (30) days of return authorization date. DO NOT return products to our factory without our prior consent. C.O.D. shipments will be refused; please prepay shipping charges.

LIMITATIONS AND EXCLUSIONS: THE WARRANTY SHALL NOT APPLY TO PROBLEMS ARISING FROM NORMAL WEAR OR FAILURE TO ADHERE TO THE ENCLOSED INSTRUCTIONS. IN ADDITION, THE FOREGOING WARRANTY SHALL NOT APPLY TO SERIAL NUMBERED PRODUCTS IF THE SERIAL NUMBER HAS BEEN REMOVED OR DEFACED; PRODUCTS SUBJECTED TO NEGLIGENCE, ACCIDENT, IMPROPER OPERATION, MAINTENANCE OR STORAGE; OR PRODUCTS MODIFIED WITHOUT THE MANUFACTURERS'S EXPRESS WRITTEN CONSENT INCLUDING, BUT NOT LIMITED TO: MODIFICATION THROUGH THE USE OF UNAUTHORIZED PARTS OR ATTACHMENTS; PRODUCTS DAMAGED BY REASON OF REPAIRS MADE TO ANY COMPONENT WITHOUT THE SPECIFIC CONSENT OF THE MANUFACTURER; PRODUCTS DAMAGED BY CIRCUMSTANCES BEYOND THE MANUFACTURERS'S CONTROL; PRODUCTS REPAIRED BY ANYONE OTHER THAN AN AUTHORIZED DEALER, SUCH EVALUATION SHALL BE SOLELY DETERMINED BY THE MANUFACTURER.

THE FOREGOING WARRANTY IS EXCLUSIVE AND IN LIEU OF ALL OTHER EXPRESS WARRANTIES, IF ANY, INCLUDING THE IMPLIED WARRANTIES OF MERCHANTABILITY AND FITNESS FOR A PARTICULAR PURPOSE. IT SHALL NOT EXTEND BEYOND THE DURATION OF THE EXPRESSED WARRANTY PROVIDED HEREIN AND THE REMEDY FOR VIOLATIONS OF ANY IMPLIED WARRANTY SHALL BE LIMITED TO REPAIR OR REPLACEMENT OF THE DEFECTIVE PRODUCT PURSUANT TO THE TERMS CONTAINED HEREIN. INVACARE SHALL NOT BE LIABLE FOR ANY CONSEQUENTIAL OR INCIDENTAL DAMAGES WHATSOEVER.

THIS WARRANTY SHALL BE EXTENDED TO COMPLY WITH STATE/PROVINCIAL LAWS AND REQUIREMENTS.

Invacare Corporation www.invacare.com



USA
One Invacare Way
Elyria, Ohio 44036-2125 USA
800-333-6900

Invacare is a registered trademark of Invacare Corporation.
© 1999 Invacare Corporation

Form No. 97-31 I

(Part No. 1074023)

Rev B (1) 10/99

Free Manuals Download Website

<http://myh66.com>

<http://usermanuals.us>

<http://www.somanuals.com>

<http://www.4manuals.cc>

<http://www.manual-lib.com>

<http://www.404manual.com>

<http://www.luxmanual.com>

<http://aubethermostatmanual.com>

Golf course search by state

<http://golfingnear.com>

Email search by domain

<http://emailbydomain.com>

Auto manuals search

<http://auto.somanuals.com>

TV manuals search

<http://tv.somanuals.com>