

Leg Extensions w/3-inch Suction Cups



Assembly, Installation and Operating Instructions

Model No. 6312 - Internal Extension

Model Nos. 6314, 6316, 6318 - External Extension

Yes, you can.™

MODEL	PRODUCT USED ON
6312	Deluxe/Vinyl padded Shower Chair
6314	Transfer Bench
6316	Next Generation Shower Chair
6318	Economy Transfer Bench

SAFETY SUMMARY

The following recommendations are made for the safe installation and operation of the Leg Extensions w/3-inch Suction Cups:

WARNING

DO NOT install this equipment without first reading and understanding this instruction sheet. If you are unable to understand the Warnings, Cautions, and Instructions, contact your Invacare dealer or Invacare Account Services at 1-800-333-6900 before attempting to install this equipment - otherwise, injury or damage may occur.

Check ALL parts for shipping damage. In case of shipping damage, DO NOT use. Contact Carrier/Dealer for further instruction.

Ensure that ALL parts are tight at all times.

Make sure that the snap buttons protrude through the same respective adjustment hole of each leg extension and an even height adjustment is achieved.

Ensure that the leg extensions are securely locked in place.

Check suction cups for rips, tears, cracks or wear. If any of these conditions exist, replace suction cups immediately.

For transfer bench use, the bathtub floor should be dry and free of dirt, oils etc. before using. Both suction cups MUST be in contact with tub floor at all times.

Users with limited physical capabilities should be supervised or assisted when using the transfer bench.

Follow ALL Warnings and/or Cautions applicable to the product the Leg Extensions are used with.

ASSEMBLY OF THE LEG EXTENSIONS W/3-INCH SUCTION CUPS (FIGURE 1)

1. Screw the stem of the NEW suction cups into the NEW threaded leg inserts.

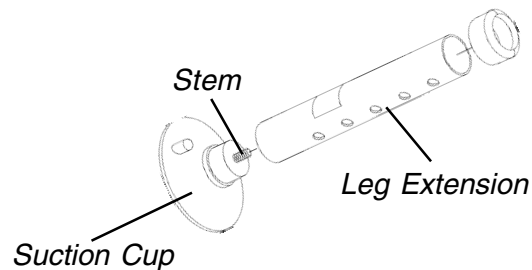


FIGURE 1 - ASSEMBLY OF THE LEG EXTENSIONS W/ 3-INCH SUCTION CUPS

REMOVING THE EXISTING LEG EXTENSIONS (FIGURE 2)

1. **Shower Chair:** Depress the snap button and remove the existing leg extension. Repeat for all four (4) legs.
2. **Transfer Bench:** Depress the snap buttons and remove the existing leg extensions that are located on the side of the seat arm.

NOTE: The following illustration represents the external leg extension found on the shower chair and/or the transfer bench. The internal leg extension, found on the Deluxe/Vinyl padded shower chair, removes in the same manner.

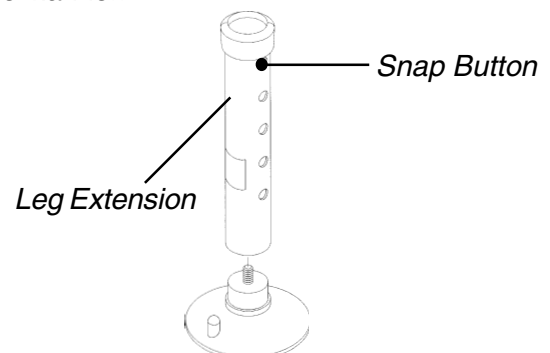


FIGURE 2 - REMOVING THE EXISTING LEG EXTENSIONS

INSTALLING THE LEG EXTENSIONS W/3-INCH SUCTION CUPS

WARNING

Make sure that the snap buttons protrude through the same respective adjustment hole of each leg extension and an even height adjustment is achieved.

Ensure that the leg extensions are securely locked in place.

NOTE: Adjustability on the external leg extensions is obtained by the holes provided on the leg extension itself. Adjustability on the internal leg extensions is obtained by the holes provided on the legs of the Deluxe/Vinyl padded shower chair.

1. **Shower Chair:** Install the NEW leg extensions w/3-inch suction cups onto the existing shower chair where the four (4) existing legs were just removed.
2. **Transfer Bench:** Install the NEW leg extensions w/3-inch suction cups onto the Transfer Bench where the two (2) existing leg extensions were just removed.

NOTE: Remember that some tub floors are higher than the bathroom floor. It may be necessary to make the leg extensions w/suction cups shorter than the legs on the bathroom floor to ensure the Transfer Bench sits level.

USING THE LEG EXTENSIONS W/3-INCH SUCTION CUPS

Shower Chair

WARNING

The shower chair can **ONLY** be used in an area where all four legs are in contact with the floor and the shower chair sits level. **NEVER** use the shower chair in a bathtub.

1. Place the shower chair in an area where all four legs with suction cups are in contact with the floor and the shower chair sits level. **NEVER** use the shower chair in a bathtub.

Transfer Bench (FIGURE 3)

WARNING

Bathtub floor should be dry and free of dirt, oils etc. before installation.

1. Place the transfer bench into position over the bathtub with suction cups inside the bathtub and press down to adhere suction cups to the bathtub floor.
2. To release the suction cups from tub floor, grip the tabs on the suction cups and gently pull. The suction cups will release and transfer bench can be removed.

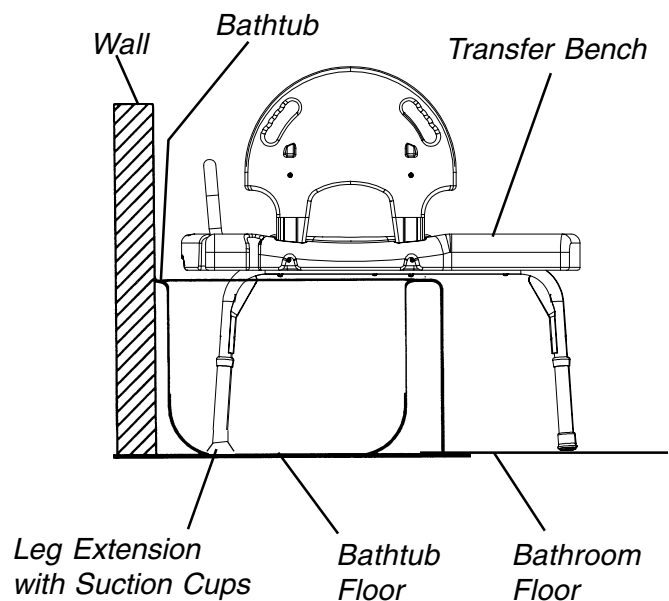
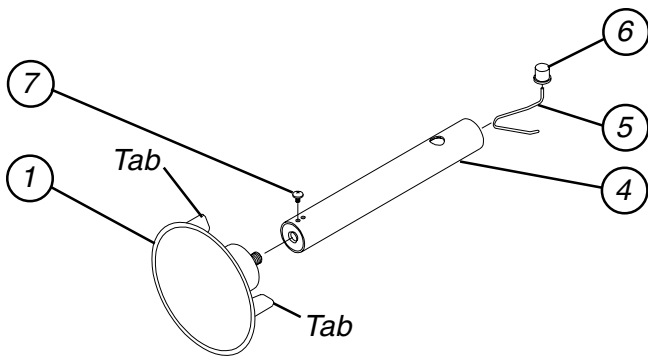
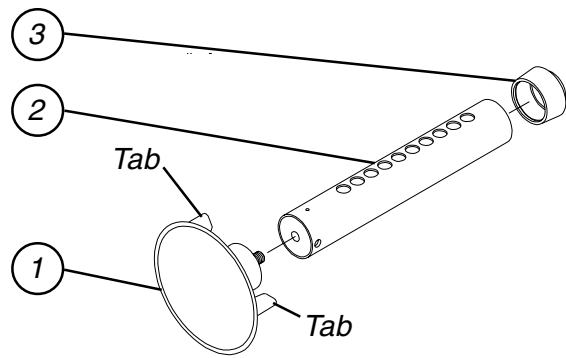


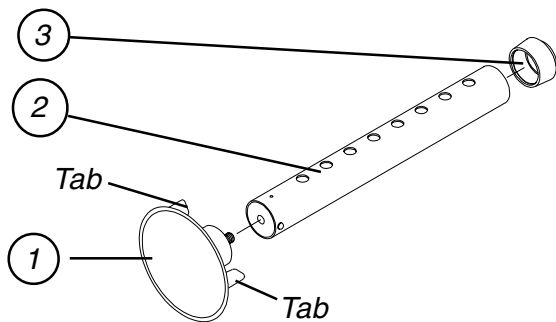
FIGURE 3 - USING THE LEG EXTENSIONS W/ 3-INCH SUCTION CUPS - TRANSFER BENCH



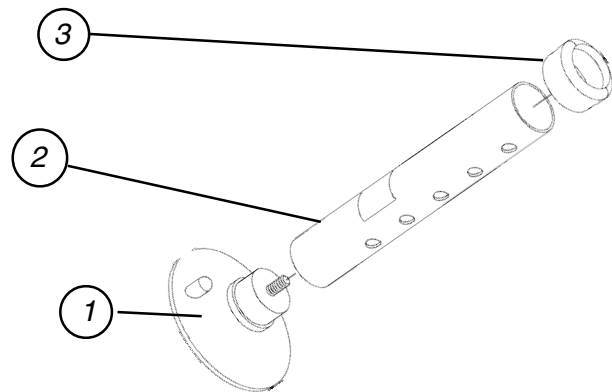
Model No. 6312
Internal Leg Extension



Model No. 6314
External Leg Extension



Model No. 6316
External Leg Extension



Model No. 6318
External Leg Extension

FIGURE 1 - LEG EXTENSIONS W/ 3-INCH SUCTION CUPS

PARTS LIST

ITEM	DESCRIPTION	QUANTITY			
		6312	6314	6316	6318
1.	SUCTION CUP	2	2	2	2
2.	EXTERNAL LEG EXTENSION	N/A	2	2	2
3.	ANTI-RATTLE	N/A	2	2	2
4.	INTERNAL LEG EXTENSION	2	N/A	N/A	N/A
5.	RELEASE SPRING	2	N/A	N/A	N/A
6.	SNAP BUTTON	2	N/A	N/A	N/A
7.	RETAINING SCREW	2	N/A	N/A	N/A

LIMITED WARRANTY

PLEASE NOTE: THE WARRANTY BELOW HAS BEEN DRAFTED TO COMPLY WITH FEDERAL LAW APPLICABLE TO PRODUCTS MANUFACTURED AFTER JULY 4, 1975.

This warranty is extended only to the original purchaser/user of our products.

This warranty gives you specific legal rights and you may also have other legal rights which vary from state to state.

Invacare warrants its product to be free from defects in materials and workmanship for the lifetime of use by original purchaser. If within such warranty period any such product shall be proven to be defective, such product shall be repaired or replaced, at Invacare's option. This warranty does not include any labor or shipping charges incurred in replacement part installation or repair of any such product. Invacare's sole obligation and your exclusive remedy under this warranty shall be limited to such repair and/or replacement.

For warranty service, please contact the dealer from whom you purchased your Invacare product. In the event you do not receive satisfactory warranty service, please write directly to Invacare at the address on the next page. Provide dealer's name, address, model number, and the date of purchase, indicate nature of the defect and, if the product is serialized, indicate the serial number.

Invacare Corporation will issue a return authorization. The defective unit or parts must be returned for warranty inspection using the serial number, when applicable, as identification within thirty (30) days of return authorization date. DO NOT return products to our factory without our prior consent. C.O.D. shipments will be refused; please prepay shipping charges.

LIMITATIONS AND EXCLUSIONS: THE WARRANTY SHALL NOT APPLY TO PROBLEMS ARISING FROM NORMAL WEAR OR FAILURE TO ADHERE TO THE ENCLOSED INSTRUCTIONS. IN ADDITION, THE FOREGOING WARRANTY SHALL NOT APPLY TO SERIAL NUMBERED PRODUCTS IF THE SERIAL NUMBER HAS BEEN REMOVED OR DEFACED; PRODUCTS SUBJECTED TO NEGLIGENCE, ACCIDENT, IMPROPER OPERATION, MAINTENANCE OR STORAGE; OR PRODUCTS MODIFIED WITHOUT INVACARE'S EXPRESS WRITTEN CONSENT INCLUDING, BUT NOT LIMITED TO: MODIFICATION THROUGH THE USE OF UNAUTHORIZED PARTS OR ATTACHMENTS; PRODUCTS DAMAGED BY REASON OF REPAIRS MADE TO ANY COMPONENT WITHOUT THE SPECIFIC CONSENT OF INVACARE; PRODUCTS DAMAGED BY CIRCUMSTANCES BEYOND INVACARE'S CONTROL; PRODUCTS REPAIRED BY ANY-ONE OTHER THAN AN AUTHORIZED INVACARE DEALER, SUCH EVALUATION SHALL BE SOLELY DETERMINED BY INVACARE.

THE FOREGOING WARRANTY IS EXCLUSIVE AND IN LIEU OF ALL OTHER EXPRESS WARRANTIES, IF ANY, INCLUDING THE IMPLIED WARRANTIES OF MERCHANTABILITY AND FITNESS FOR A PARTICULAR PURPOSE.

IT SHALL NOT EXTEND BEYOND THE DURATION OF THE EXPRESSED WARRANTY PROVIDED HEREIN AND THE REMEDY FOR VIOLATIONS OF ANY IMPLIED WARRANTY SHALL BE LIMITED TO REPAIR OR REPLACEMENT OF THE DEFECTIVE PRODUCT PURSUANT TO THE TERMS CONTAINED HEREIN. INVACARE SHALL NOT BE LIABLE FOR ANY CONSEQUENTIAL OR INCIDENTAL DAMAGES WHATSOEVER.

THIS WARRANTY SHALL BE EXTENDED TO COMPLY WITH STATE/PROVINCIAL LAWS AND REQUIREMENTS.



Yes, you can.™

Invacare Corporation

www.invacare.com

USA

One Invacare Way
Elyria, Ohio USA
44036-2125
800-333-6900

Canada

5970 Chedworth Way
Mississauga, Ontario
L5R 3T9, Canada
905-890-8838

Invacare and "Yes, you can" are trademarks of Invacare Corporation.

© 2000 Invacare Corporation
Form No. 97-157 Part No. 1070889 Rev A (1) 7/00

Free Manuals Download Website

<http://myh66.com>

<http://usermanuals.us>

<http://www.somanuals.com>

<http://www.4manuals.cc>

<http://www.manual-lib.com>

<http://www.404manual.com>

<http://www.luxmanual.com>

<http://aubethermostatmanual.com>

Golf course search by state

<http://golfingnear.com>

Email search by domain

<http://emailbydomain.com>

Auto manuals search

<http://auto.somanuals.com>

TV manuals search

<http://tv.somanuals.com>