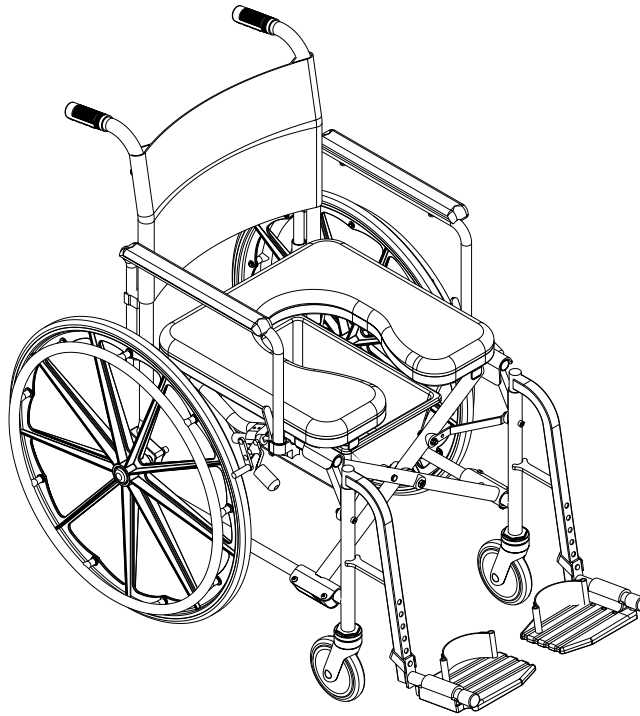


Owner's Operator And Maintenance Manual Manuel de l'utilisateur et d'entretien

REHAB SHOWER COMMODE CHAIR CHAISE DE DOUCHE AVEC SIÈGE D'AISANCE



DEALER: THIS MANUAL MUST BE GIVEN TO THE USER OF THE REHAB SHOWER COMMODE CHAIR.

USER: BEFORE USING THIS REHAB SHOWER COMMODE CHAIR, READ THIS MANUAL AND SAVE FOR FUTURE REFERENCE.

FOURNISSEUR: CE MANUEL DOIT ÊTRE REMIS À L'UTILISATEUR DE LA CHAISE DE DOUCHE.

UTILISATEUR: AVANT D'UTILISER CETTE CHAISE DE DOUCHE, LIRE CE MANUEL ET LE CONSERVER POUR RÉFÉRENCE ULTÉRIEURE.

For more information regarding
Invacare products, parts, and services,
please visit: www.invacare.com

Pour de plus amples renseignements sur
les produits, les pièces et le service Invacare
visitez le: www.invacare.com



Yes, you can.™

WARNING

THIS REHAB SHOWER COMMODOE CHAIR IS NOT DESIGNED OR INTENDED FOR OUTDOOR TRANSPORTATION OR EXTENDED MOBILITY USAGE.

DO NOT OPERATE THIS EQUIPMENT WITHOUT FIRST READING AND UNDERSTANDING THIS MANUAL. IF YOU ARE UNABLE TO UNDERSTAND THE WARNINGS, CAUTIONS, AND INSTRUCTIONS, CONTACT A HEALTHCARE PROFESSIONAL, DEALER OR TECHNICAL PERSONNEL IF APPLICABLE BEFORE ATTEMPTING TO USE THIS EQUIPMENT - OTHERWISE INJURY OR DAMAGE MAY RESULT.

SPECIAL NOTES

WARNING/CAUTION notices as used in this manual apply to hazards or unsafe practices which could result in personal injury or property damage.

NOTICE

THE INFORMATION CONTAINED IN THIS DOCUMENT IS SUBJECT TO CHANGE WITHOUT NOTICE.

REHAB SHOWER COMMODOE CHAIR USER

As a manufacturer of Rehab Shower Commode chairs, Invacare endeavors to supply a wide variety of Rehab Shower Commode chairs to meet many needs of the end user. However, final selection of the type of Rehab Shower Commode chair to be used by an individual rests solely with the user and his/her healthcare professional capable of making such a selection.

REHAB SHOWER COMMODOE CHAIR TIE-DOWN RESTRAINTS AND SEAT POSITIONING STRAPS

Invacare recommends that rehab shower commode chair users **NOT** be transported in vehicles of any kind while in rehab shower commode chairs. As of this date, the Department of Transportation has not approved any tie-down systems for transportation of a user while in a Rehab Shower Commode chair, in a moving vehicle of any type.

It is Invacare's position that users of Rehab Shower Commode chairs should be transferred into appropriate seating in vehicles for transportation and use be made of the restraints made available by the auto industry. Invacare cannot and does not recommend any Rehab Shower Commode chair transportation systems.

WITH REGARDS TO RESTRAINTS - SEAT POSITIONING STRAPS - IT IS THE OBLIGATION OF THE DME DEALER, THERAPISTS AND OTHER HEALTHCARE PROFESSIONALS TO DETERMINE IF A SEAT POSITIONING STRAP IS REQUIRED TO ENSURE THE SAFE OPERATION OF THIS EQUIPMENT BY THE USER. SERIOUS INJURY CAN OCCUR IN THE EVENT OF A FALL FROM A REHAB SHOWER COMMODOE CHAIR.

TABLE OF CONTENTS

SPECIAL NOTES	2
LABEL LOCATIONS	7
SPECIFICATIONS	8
SECTION 1 - GENERAL GUIDELINES	9
OPERATING INFORMATION	9
WEIGHT TRAINING	10
WEIGHT LIMITATION	10
SAFETY/HANDLING OF REHAB SHOWER COMMODOE CHAIRS	10
SECTION 2 - SAFETY INSPECTION	15
SAFETY INSPECTION CHECKLIST	15
TROUBLESHOOTING	16
SECTION 3 - CARE AND MAINTENANCE	17
MAINTENANCE SAFETY PRECAUTIONS	17
SUGGESTED MAINTENANCE PROCEDURES	17
SECTION 4 - UNFOLDING/FOLDING	18
UNFOLDING/FOLDING THE SHOWER COMMODOE CHAIR	18
SECTION 5 - SEAT AND BACK	19
REPLACING THE SLIP ON BACK UPHOLSTERY	19
REMOVING/INSTALLING PADDED SEAT	19
USING SEAT COVER	20
REMOVING/INSTALLING SEAT POSITIONING STRAP	20
SECTION 6 - PAIL	21
REMOVING/INSTALLING THE PAIL	21
REMOVING/INSTALLING THE PAIL HOLDER	22
SECTION 7 - FRONT RIGGINGS	23
REMOVING/INSTALLING/ADJUSTING SWINGAWAY FOOTREST ASSEMBLY	23
FOOTPLATE HEIGHT ADJUSTMENT	23
REPLACING HEEL LOOPS	24
SECTION 8 - ARMS	25
REMOVING/INSTALLING SWING-BACK ARMS	25
POSITIONING SWING-BACK ARMS	26
REPLACING ARMREST PAD	26
SECTION 9 - CASTERS	27
REMOVING/INSTALLING FRONT CASTERS	
- ON MODEL NOS. 6795 AND 6895	27
REMOVING/INSTALLING CASTERS WITH BRAKE	
- ON MODEL NO. 6891	27
SECTION 10 - REAR WHEELS AND HANDRIMS	28
REMOVING/INSTALLING WHEELS - ON MODEL NOS. 6795 AND 6895	28
REPLACING/REPAIRING WHEEL TIRE	29
REPLACING WHEEL HANDRIM	29
SECTION 11 - WHEEL LOCKS	30
USING/ADJUSTING THE WHEEL LOCKS	30
LIMITED WARRANTY	32
MANUEL DE L'UTILISATEUR ET D'ENTRETIEN	33

REGISTER YOUR PRODUCT!

The benefits of registering:

1. Safeguard your investment.
2. Ensure long term maintenance and servicing of your purchase.
3. Receive updates with product information, maintenance tips, and industry news.
4. Invacare can contact you or your provider, if servicing is needed on your product.
5. It will enable Invacare to improve product designs based on your input and needs.

Register ONLINE at www.invacare.com

- or -

Complete and mail the form on the next page

Any registration information you submit will be used by Invacare Corporation only, and protected as required by applicable laws and regulations.



PRODUCT REGISTRATION FORM

Register **ONLINE** at www.invacare.com - or -
Complete and mail this form

Name _____

Address _____

City _____ State/Province _____

Zip/Postal Code _____

Email _____ Phone No. _____

Fold
here

Invacare Model No. _____ Serial No. _____

Purchased From _____ Date of Purchase: _____

1. Method of purchase: (check all that apply)

Medicare Insurance Medicaid Other _____

2. This product was purchased for use by: (check one)

Self Parent Spouse Other

3. Product was purchased for use at:

Home Facility Other

4. I purchased an Invacare product because:

Price Features (list features) _____

5. Who referred you to Invacare products? (check all that apply)

Doctor Therapist Friend Relative Other _____

No referral Advertisement (circle one): TV, Radio, Magazine, Newspaper

6. What additional features, if any, would you like to see on this product?

Fold
here

7. Would you like information sent to you about Invacare products that may be available for a particular medical condition? Yes No

If yes, please list any condition(s) here and we will send you information by email and/or mail about any available Invacare products that may help treat, care for or manage such condition(s):

8. Would you like to receive updated information via email or regular mail about the Invacare home medical products sold by Invacare's dealers? Yes No

9. What would you like to see on the Invacare website?

10. Would you like to be part of future online surveys for Invacare products? Yes No

11. User's Year of birth: _____

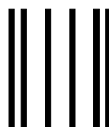
If at any time you wish not to receive future mailings from us, please contact us at Invacare Corporation, CRM Department, 39400 Taylor Parkway, Elyria, OH 44035, or fax to 877-619-7996 and we will remove you from our mailing list.

To find more information about our products, visit www.invacare.com.

Cut Along Line



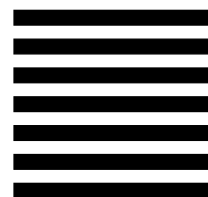
Fold
here



BUSINESS REPLY MAIL
FIRST-CLASS MAIL PERMIT NO. 196 ELYRIA OH

POSTAGE WILL BE PAID BY ADDRESSEE

NO POSTAGE
NECESSARY
IF MAILED
IN THE
UNITED STATES



INVACARE CORPORATION
CRM DEPARTMENT
39400 TAYLOR PARKWAY
ELYRIA OH 44035-9836



Fold
here

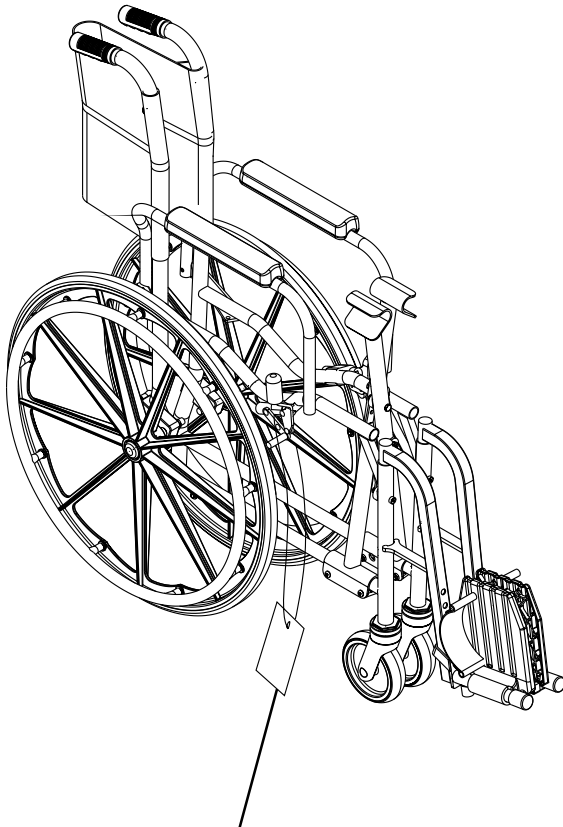
Invacare Product Registration Form

Please Seal with
Tape Before Mailing

Cut Along Line



LABEL LOCATIONS



IMPORTANT NOTICE

The wheel locks on this wheelchair have been pre-set at the factory to comply with the Veterans Administration functional Standard 8320.01 of the Federal Register, paragraph 3.2.4.5.3. If these wheel locks do not meet your needs, follow instructions below.

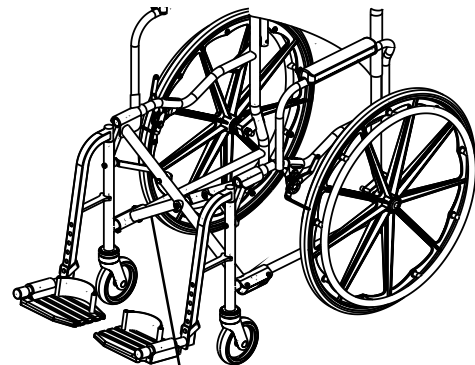
⚠ CAUTION

Any wheel lock adjustments should embed wheel lock shoe at least 1/8" into tire when locked (3/16" on pneumatic tires).

INSTRUCTIONS FOR WHEEL LOCK ADJUSTMENTS

1. Loosen wheel lock mounting fastener, which runs through mounting bracket and frame.
2. Slide clamp toward rear wheel until wheel lock shoe is embedded into tire material at least 1/8" when handle is engaged to the lock position (3/16" for pneumatic tires).
3. Tighten mounting fastener to secure mounting bracket in desired location and recheck lock shoe embedding.
4. Inspect for correct locking action **BEFORE** actual use.

P/N 1114837 REV A



NOTE: The weight capacity label is located on the back of the cross-member.

**SPECIFICATIONS
REHAB SHOWER COMMODE CHAIR**

SPECIFICATIONS

Model Number	18.50" Seat (5" Casters)	18.50" Seat (24" Wheels)	16.00" Seat (24" Wheels)
Overall Rehab Shower Commode Height (Floor to Top of Push Handle)	38½"	38½"	38½"
Seat-to-Floor Height	23"	23"	23"
Seat-to-Armrest Height	7¾"	7¾"	7¾"
Back Height (Top of Seat to Top of Upholstery)	15½"	15½"	15½"
Footrest Extension Max (From Top of Seat)	20¾"	20¾"	20¾"
Footrest Extension Min (From Top of Seat)	16¾"	16¾"	16¾"
Overall Rehab Shower Commode Chair Width (Handrim to Handrim)	22" No Handrim	26½"	24½"
Overall Back Width	18"	18"	16"
Seat Width	18½"	18½"	16"
Width Between Arms	18"	18"	16"
Folded Width	8"	12"	12"
Overall Depth (Without Front Riggings)	30"	33"	33"
Seat Depth	18¼"	18¼"	16"
Weight	30 lbs	41 lbs	40 lbs
Weight Capacity	300 lbs	300 lbs	300 lbs
Clearance for Over-the-Toilet Use			
Depth (Front X-Brace to Edge of Rear Tire)	19" No Tire	28"	28"
Depth (Rear-Wheel Axle Bolt to Edge of Tire)	N/A	11½"	11½"
Height (Floor to Seat Base)	20¼"	20¼"	20¼"
Inside Width (Between Side Frames)	16"	16"	14"

Section I - General Guidelines - includes the following:

<i>Operating Information</i>	<i>Weight Limitation</i>
<i>Weight Training</i>	<i>Safety/Handling of Rehab Shower Commode Chairs</i>

OPERATING INFORMATION

GENERAL WARNINGS

THIS REHAB SHOWER COMMODOE CHAIR IS NOT DESIGNED OR INTENDED FOR OUTDOOR TRANSPORTATION OR EXTENDED MOBILITY USAGE.

KEEP HANDS AND FINGERS CLEAR OF MOVING PARTS TO AVOID INJURY.

Unless otherwise noted, all service and adjustment should be performed while the Rehab Shower Commode chair is unoccupied.

To determine and establish your particular safety limits, practice bending, reaching and transferring activities in several combinations in the presence of a qualified health professional **BEFORE** attempting active use of the Rehab Shower Commode chair.

ALWAYS wear the **SEAT POSITIONING STRAP**.

ALWAYS verify that hand grips on the rear cane are secure **PRIOR** to use when an assistant is used to propel the Rehab Shower Commode chair. Check for any signs of looseness or deterioration and if found, contact a qualified technician. **DO NOT** attempt to move the Rehab Shower Commode chair by using the hand grips if they are found to be unsecure or have deteriorated.

DO NOT attempt to reach objects if you have to move forward in the seat.

DO NOT attempt to reach objects if you have to pick them up from the floor by reaching down between your knees.

DO NOT lean over the top of the back upholstery. This will change your center of gravity and may cause you to tip over.

DO NOT shift your weight or sitting position toward the direction you are reaching as the Rehab Shower Commode chair may tip over.

DO NOT use an escalator to move a Rehab Shower Commode chair between floors. Serious bodily injury may occur.

WHEEL LOCKS ARE NOT BRAKES. DO NOT attempt to stop a moving Rehab Shower Commode chair with the wheel locks.

Before attempting to transfer in or out of the Rehab Shower Commode chair, every precaution should be taken to reduce the gap distance. Turn **ALL** casters parallel to the object you are transferring onto. When transferring to and from the Rehab Shower Commode chair, **ALWAYS ENGAGE BOTH WHEEL LOCKS** (on model nos. 6795 and 6895) or **BRAKES ON ALL FOUR (4) CASTERS** (on model no. 6891).

DO NOT sit or transfer into the Rehab Shower Commode chair unless it is fully open.

DO NOT climb, go up or down ramps or traverse slopes greater than 9°.

DO NOT attempt to move up or down an incline with a water, ice or oil film.

GENERAL WARNINGS (CONTINUED)

DO NOT use parts, accessories, or adapters other than those authorized by Invacare. Otherwise, the warranty is void.

DO NOT attempt to ride over obstacles. Doing so may cause your Rehab Shower Commode chair to tip over and cause bodily harm or damage to the Rehab Shower Commode chair.

DO NOT overtighten hardware attaching to the frame. This could cause damage to the frame tubing.

DO NOT use the footplate as a platform when getting in or out of the Rehab Shower Commode chair.

DO NOT attempt to lift the Rehab Shower Commode chair by any removable (detachable) parts. Lifting by means of any removable (detachable) parts of a Rehab Shower Commode chair may result in injury to the user or damage to the Rehab Shower Commode chair.

DO NOT stand on the frame of the Rehab Shower Commode chair.

When cleaning rear cane or hand grip areas use only a clean towel lightly dampened with cool water. Verify that grips are dry prior to use. Use of soap or ammonia based cleaning solutions will result in the hand grips sliding off the cane assembly. Failure to observe this warning may result in injury to the user or bystanders.

DO NOT tip the Rehab Shower Commode chair without assistance.

ALWAYS use the handrims for self-propulsion.

WEIGHT TRAINING**WARNING**

Invacare **DOES NOT** recommend the use of its Rehab Shower Commode chairs as a weight training apparatus. Invacare Rehab Shower Commode chairs have **NOT** been designed or tested as a seat for any kind of weight training. If occupant uses said Rehab Shower Commode chair as a weight training apparatus, **INVACARE SHALL NOT BE LIABLE FOR BODILY INJURY AND THE WARRANTY WILL BE VOID.**

WEIGHT LIMITATION**WARNING**

The Rehab Shower Commode chair has a weight limitation of 300 lbs (136kg).

SAFETY/HANDLING OF REHAB SHOWER COMMODE CHAIRS

“Safety and Handling” of the Rehab Shower Commode chair requires the close attention of the Rehab Shower Commode chair user as well as the assistant. This manual points out the most common procedures and techniques involved in the safe operation and maintenance of the Rehab Shower Commode chair. It is important to practice and master these safe techniques until you are comfortable in maneuvering around the frequently encountered architectural barriers.

Use this information only as a “basic” guide. The techniques that are discussed on the following pages have been used successfully by many.

Individual Rehab Shower Commode chair users often develop skills to deal with daily living activities that may differ from those described in this manual. Invacare recognizes and encourages each individual to try what works best for him/her in overcoming architectural obstacles that they may encounter, however ALL WARNINGS and CAUTIONS given in this manual MUST be followed. Techniques in this manual are a starting point for the new Rehab Shower Commode chair user and assistant with “safety” as the most important consideration for all.

STABILITY AND BALANCE

WARNING

ALWAYS wear the SEAT POSITIONING STRAP.

To assure stability and proper operation of your Rehab Shower Commode chair, you must maintain proper balance at all times. Your Rehab Shower Commode chair has been designed to remain upright and stable during normal daily activities as long as you do not move beyond the center of gravity.

Virtually all activities which involve movement in the Rehab Shower Commode chair have an effect on the center of gravity. Invacare recommends using seat/chest positioning straps for additional safety while involved in activities that shift your weight.

DO NOT lean forward out of the Rehab Shower Commode chair any further than the length of the armrests. Make sure the casters are pointing in the forward position whenever you lean forward. This can be achieved by advancing the Rehab Shower Commode chair and then reversing it in a straight line.

COPING WITH EVERYDAY OBSTACLES

Coping with the irritation of everyday obstacles can be alleviated somewhat by learning how to manage your Rehab Shower Commode chair. Keep in mind your center of gravity to maintain stability and balance.

A NOTE TO REHAB SHOWER COMMODOE CHAIR ASSISTANTS

When assistance to the Rehab Shower Commode chair user is required, remember to use good body mechanics.

WARNING

DO NOT attempt to lift the Rehab Shower Commode chair by any removable (detachable) parts. Lifting by means of any removable (detachable) parts of a Rehab Shower Commode chair may result in injury to the user or damage to the Rehab Shower Commode chair.

Always verify that hand grips on the rear cane are secure PRIOR to use when an assistant is used to propel or lift the chair. Check for any signs of looseness or deterioration and if found, contact a qualified technician. DO NOT attempt to move the Rehab Shower Commode chair by pulling on the hand grips if they are found to be unsecure or have deteriorated.

Also, be aware of detachable parts such as armrests or legrests. These must NEVER be used to move the Rehab Shower Commode chair or as lifting supports, as they may be inadvertently released, resulting in possible injury to the user and/or assistant(s).

When learning a new assistance technique, have an experienced assistant help you before attempting it alone.

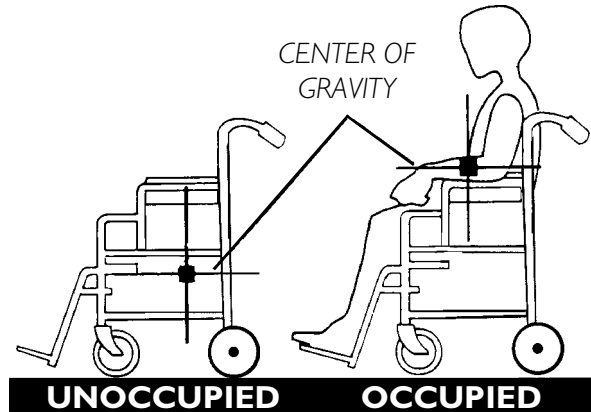
PERCENTAGE OF WEIGHT DISTRIBUTION

WARNING

DO NOT attempt to reach objects if you have to move forward in the seat or pick them up from the floor by reaching down between your knees.

The seat depth/width, back height, position of the casters, size/position of the rear wheels as well as the user condition directly relate to the stability of the Rehab Shower Commode chair. Any change to one (1) or any combination of the above may cause the shower commode chair to decrease in stability. These adjustments **MUST** be performed by a qualified technician.

Many activities may require the Rehab Shower Commode chair owner to reach, bend and transfer in and out of the chair. These movements cause a change in the normal balance, the center of gravity and the weight distribution of the chair. To determine and establish your particular safety limits, practice bending, reaching and transferring activities in several combinations in the presence of a qualified healthcare professional **BEFORE** attempting active use of the Shower Commode chair.

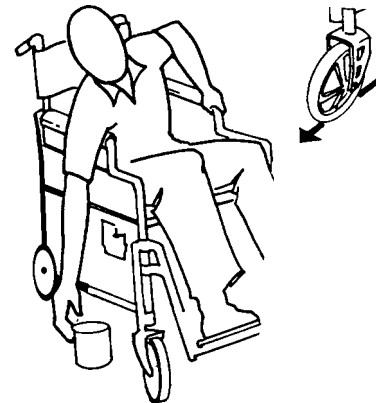


Proper positioning is essential for your safety. When reaching, leaning or bending forward, it is important to use the front casters as a tool to maintain stability and balance.

REACHING, LEANING AND BENDING - FORWARD**WARNING**

DO NOT attempt to reach objects if you have to move forward in the seat or pick them up from the floor by reaching down between your knees.

Position the front casters so that they are extended as far forward as possible and engage wheel locks.

**REACHING AND LEANING - BACKWARDS****WARNING**

DO NOT lean over the top of the back upholstery. This will change your center of gravity and may cause you to tip over.

Position Rehab Shower Commode chair as close as possible to the desired object. Point front casters forward to create the longest possible wheelbase. Reach back only as far as your arm will extend without changing your sitting position.



TIPPING**WARNING**

DO NOT tip the Rehab Shower Commode chair without assistance.

When tipping the Rehab Shower Commode chair, an assistant should grasp the back of the chair on a non-removable (non-detachable) part. Inform the occupant of the shower commode chair before tipping it and remind him/her to lean back. Be sure the occupant's feet and hands are clear of all wheels and/or pinch points.

WARNING

When lowering the front casters of the Rehab Shower Commode chair, DO NOT let the Rehab Shower Commode chair drop the last few inches to the floor. This could result in injury to the occupant and/or damage to the Rehab Shower Commode chair.

STAIRWAYS**WARNING**

ALWAYS wear the seat positioning strap.

DO NOT attempt to lift a Rehab Shower Commode chair by lifting on any removable (detachable) parts. Lifting by means of any removable (detachable) parts of a Rehab Shower Commode chair may result in injury to the user or damage to the Rehab Shower Commode chair.

Always verify that hand grips on the rear cane are secure PRIOR to use when an assistant is used to propel or lift the chair. Check for any signs of looseness or deterioration and if found, contact a qualified technician. DO NOT attempt to move the Rehab Shower Commode chair by pulling on the hand grips if they are found to be unsecure or have deteriorated.

EXTREME CAUTION is advised when it is necessary to move an occupied Rehab Shower Commode chair up or down the stairs. Invacare recommends that, if possible, the user be removed from the Rehab Shower Commode chair prior to moving. Invacare recommends using two (2) assistants and making thorough preparations. Make sure to use ONLY secure, non-detachable parts for hand-held supports.

Follow this procedure for moving the Rehab Shower Commode chair between floors when an elevator is NOT available:

1. After the Rehab Shower Commode chair has been tilted back to the balance point, one assistant (in the rear) backs the chair up against the first step, while securely grasping a non-removable (non-detachable) part of the Rehab Shower Commode chair for leverage.
2. The second assistant, with a firm hold on a non-detachable part of the framework, lifts the Rehab Shower Commode chair up and over the stair and steadies it as the first assistant places one (1) foot on the next stair and repeats STEP 1.
3. The Rehab Shower Commode chair should not be lowered until the last stair has been negotiated and the chair has been rolled away from the stairway.

WARNING

When lowering the front casters of the Rehab Shower Commode chair, **DO NOT** let the Rehab Shower Commode chair drop the last few inches to the ground. This could result in injury to the occupant and/or damage to the Rehab Shower Commode chair.

ESCALATORS**WARNING**

DO NOT use an escalator to move a Rehab Shower Commode chair between floors. Serious bodily injury may occur.

TRANSFERRING TO AND FROM OTHER SEATS**WARNING**

BEFORE attempting to transfer in or out of the Rehab Shower Commode chair, every precaution should be taken to reduce the gap distance. Turn both casters parallel to the object you are transferring onto. Also be certain the wheel locks are engaged to help prevent the wheels from moving.

CAUTION

When transferring, position yourself as far back as possible in the seat. This will help prevent damaged upholstery and the possibility of the Rehab Shower Commode chair tipping forward.

NOTE: This activity may be performed independently provided you have adequate mobility and upper body strength.

Position the Rehab Shower Commode chair as close as possible along side the seat to which you are transferring onto, with the all casters parallel to it. Flip up the armrest. Engage wheel locks on Model Nos. 6795 and 6895 OR brakes on casters on Model No. 6891. Shift body weight into seat with transfer.

During independent transfer, little or no seat platform will be beneath you. Use a transfer board if at all possible.



Section 2 - Safety Inspection - includes the following:

Safety Inspection Checklist

Troubleshooting

SAFETY INSPECTION CHECKLIST

NOTE: Every six (6) months, take your Rehab Shower Commode chair to a qualified technician for a thorough inspection and servicing. Regular cleaning will reveal loose or worn parts and enhance the smooth operation of your shower commode chair. To operate properly and safely, your Rehab Shower Commode chair must be cared for just like any other vehicle. Routine maintenance will extend the life and efficiency of your shower commode chair.

Initial adjustments should be made to suit personal body structure/preference. Thereafter follow these maintenance procedures:

ITEM	Inspect/Adjust			
	Initially	Weekly	Monthly	Periodically
GENERAL <ul style="list-style-type: none"> Rehab Shower Commode chair rolls straight (no excessive drag or pull to one side). 	X			X
FRAME AND CROSSBRACES (SECTION 4) <ul style="list-style-type: none"> Inspect for loose or missing hardware. Inspect for bent frame or crossbrace. 	X X			X X
SEAT AND BACK (SECTION 5) <ul style="list-style-type: none"> Inspect for rips or sagging. Inspect for loose or broken hardware. Inspect cane hand grips for wear/looseness/deterioration. 	X X X		X X	X
FRONT CASTERS (SECTION 9) <ul style="list-style-type: none"> Inspect wheel/axle assembly for proper tension by spinning caster; caster should come to a gradual stop. Loosen/tighten locknut if wheel wobbles noticeably or binds to a stop. Ensure wheel bearings are clean and free of moisture. Inspect casters for cracks and wear. <p>CAUTION: As with any vehicle, the wheels and tires should be checked periodically for cracks and wear, and should be replaced.</p>	X X X X	X	X X	X X
CLEANING <ul style="list-style-type: none"> Clean upholstery and armrests. 	X			X

SAFETY INSPECTION CHECKLIST (CONTINUED)

ITEM	Inspect/Adjust			
	Initially	Weekly	Monthly	Periodically
SPOKES • Inspect for broken spokes.	X	X		
REAR WHEELS (SECTION 10) • No excessive side movement or binding when lifted and spun. • Inspect for cracked, bent or broken spokes.	X X	X		X
TIRES (SECTION 10) • Inspect for flat spots and wear. CAUTION: As with any vehicle, the wheels and tires should be checked periodically for cracks and wear, and should be replaced.	X			
HANDRIMS (SECTION 10) • Inspect for signs of rough edges.	X			
WHEEL LOCKS (SECTION 11) • Do not interfere with tires when rolling. • Pivot points free of wear and looseness. • Wheel locks easy to engage. • Wheel locks prevent chair from moving when engaged.	X X X X	X	X X	X

TROUBLESHOOTING

Chair Veers Left/Right	Sluggish Turn/Performance	Casters Flutter	Squeaks and Rattles	Looseness in Chair	Chair 3 Wheels	Solutions
X	X	X	X	X		Check for loose stem nuts/bolts.
X		X				Check that all casters contact ground at the same time.
	X	X	X	X		Check for loose nuts and bolts.
X					X	Check that rear wheels are equally spaced away from seat frame.

Section 3 - Care and Maintenance - includes the following:

Maintenance Safety Precautions

Suggested Maintenance Procedures

Cleaning

MAINTENANCE SAFETY PRECAUTIONS

WARNING

After **ANY** adjustments, repair or service and **BEFORE** use, make sure all attaching hardware is tightened securely - otherwise injury or damage may result.

CAUTION

DO NOT overtighten hardware attaching to the frame. This could cause damage to the frame tubing.

Your Rehab Shower Commode chair has been carefully assembled and is ready for immediate use. In order to assure maximum service from this quality chair, it is suggested that you follow a regular maintenance schedule.

Periodically check to make certain that **ALL** parts are snug and bolts tightened. Also at this time, clean the entire chair using a mild soap and water.

SUGGESTED MAINTENANCE PROCEDURES

1. Before using your Invacare Rehab Shower Commode chair, make sure all nuts and bolts are tight. Check all parts for damage or wear and replace. Check all parts for proper adjustment.
2. Periodically adjust wheel locks as tires wear. Refer to ADJUSTING WHEEL LOCKS in SECTION 11 of this manual.
3. Periodically check front caster and rear wheel hubs to make sure they are clean.

CAUTION

As with any vehicle, the rear wheels, casters and tires should be checked periodically for cracks and wear, and should be replaced if damaged.

4. The rear wheels, casters and tires should be checked periodically for cracks and wear, and should be replaced by a qualified technician if damaged.

NOTE: Tire wear is excessive if there are cuts, surface defects or the tires are loose on the rims.

NOTE: Invacare recommends that tires and casters are replaced every five (5) years.

5. Periodically check caster wheel bearings to make sure they are clean and free from moisture. Use a Teflon[®] lubricant if necessary.
6. Periodically check handrims to ensure they are secured to the rear wheels. If loose, have them tightened by a qualified technician.

CLEANING

After every use, clean Rehab Shower Commode chair with mild soap and water.

Section 4 - Unfolding/Folding - includes the following:

Unfolding/Folding the Rehab Shower Commode Chair

UNFOLDING/FOLDING THE SHOWER COMMODE CHAIR

WARNING

Keep hands and fingers clear of moving parts to avoid injury.

When unfolding the Rehab Shower Commode chair, **DO NOT** position fingers or hands between the pivot links. Ensure **ONLY** open palms (and not fingers) are used to press down on the crossbrace ends. Otherwise injury or damage may occur.

DO NOT sit or transfer into the Rehab Shower Commode chair unless it is fully open and the crossbrace saddles are fully seated into the side frame.

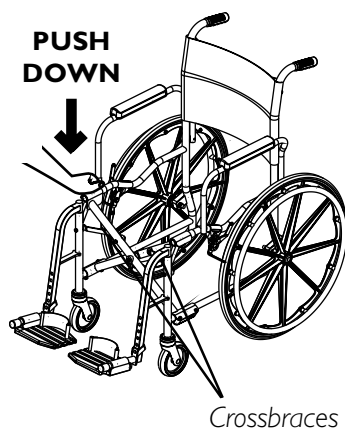
UNFOLDING

1. Open the Rehab Shower Commode chair by pushing down on crossbraces (DETAIL "A" of FIGURE 1).
2. Raise armrests for easier access to frame by squeezing the armrest release lever toward arm tubing and lift.
3. Place pail holder onto frame by inserting the four (4) pail holder hooks into the four (4) holes on the frame tubing (DETAIL "B" of FIGURE 1).
4. Position seat on frame and push down to lock seat onto frame (DETAIL "B" of FIGURE 1).

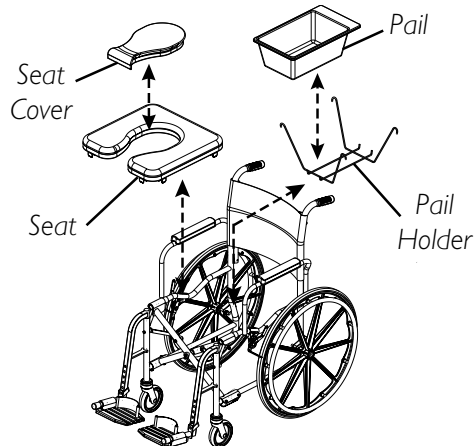
FOLDING

1. Raise armrests for easier access to frame by squeezing the armrest release lever toward arm tubing and lift.
2. Remove seat (and seat cover, if available) from frame by pulling up on the seat.
3. Remove the pail from pail holder.
4. Remove pail holder from frame by lifting the four (4) pail holder hooks out of the four (4) holes on the frame tubing (DETAIL "B" of FIGURE 1).
5. Fold the Rehab Shower Commode chair by lifting up on crossbraces (DETAIL "C" of FIGURE 1).

DETAIL A



DETAIL B



DETAIL C

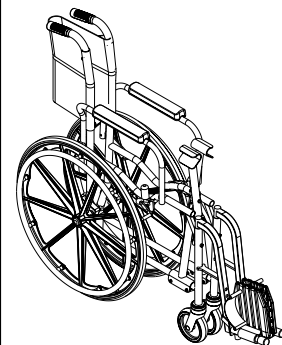


FIGURE 1 - UNFOLDING/FOLDING THE SHOWER COMMODE CHAIR

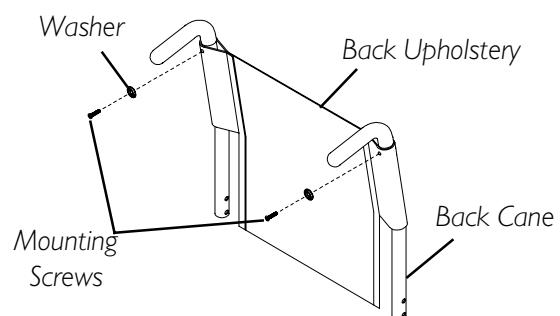
Section 5 - Seat and Back - includes the following:**Replacing the Slip On Back Upholstery****Using Seat Cover****Removing/Installing Padded Seat****Removing/Installing Seat Positioning Strap****WARNING**

After **ANY** adjustments, repair or service and **BEFORE** use, make sure all attaching hardware is tightened securely - otherwise injury or damage may occur.

When installing the seat, ensure **ONLY** open palms (and not fingers) are used to press down on the seat to lock on frame. Otherwise injury or damage may occur.

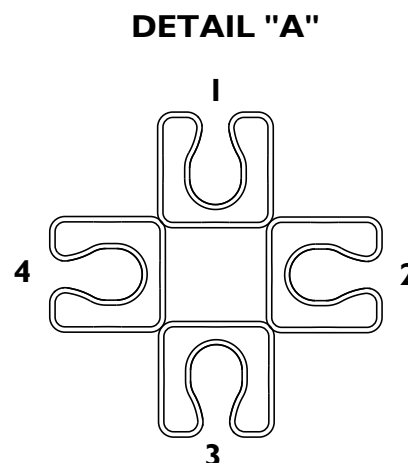
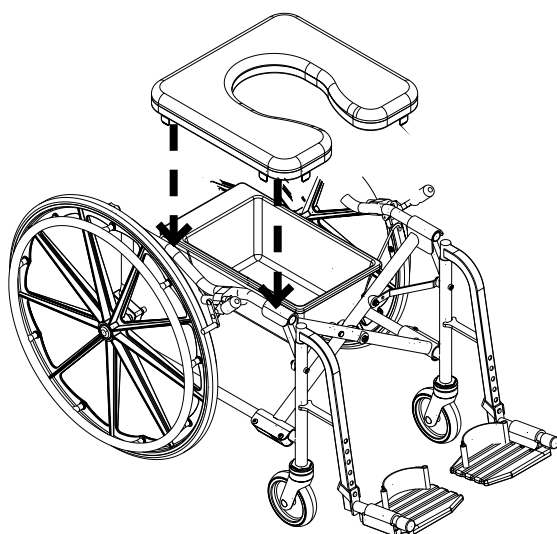
REPLACING THE SLIP ON BACK UPHOLSTERY (FIGURE 1)

1. Remove the two (2) mounting screws and washers that secure the existing back upholstery to two (2) back canes.
2. Pull existing back upholstery up and over the two (2) back canes.
3. Install the NEW back upholstery over the two (2) back canes.
4. Secure the NEW back upholstery to the back canes with the existing mounting screws and washers.

**FIGURE 1 - REPLACING THE SLIP ON BACK UPHOLSTERY****REMOVING/INSTALLING PADDED SEAT****REMOVING (FIGURE 2)**

The padded seat may be positioned in one (1) of four (4) directions (DETAIL "A" of FIGURE 2).

1. Move armrests out of the way by squeezing the armrest release lever and lifting.
2. Remove seat by pulling up on seat.

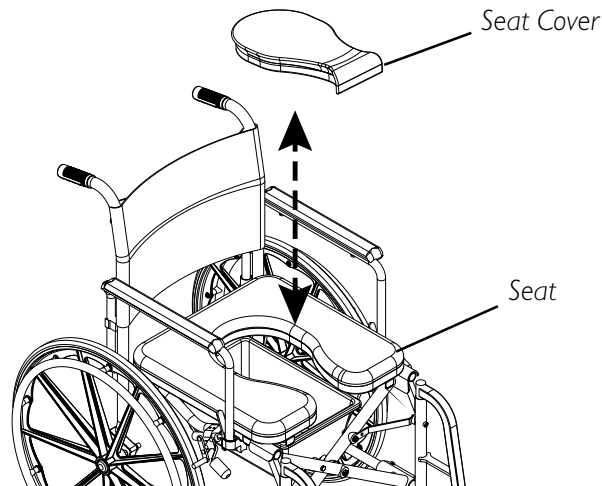
**FIGURE 2 - REMOVING/INSTALLING PADDED SEAT**

INSTALLING (FIGURE 2)

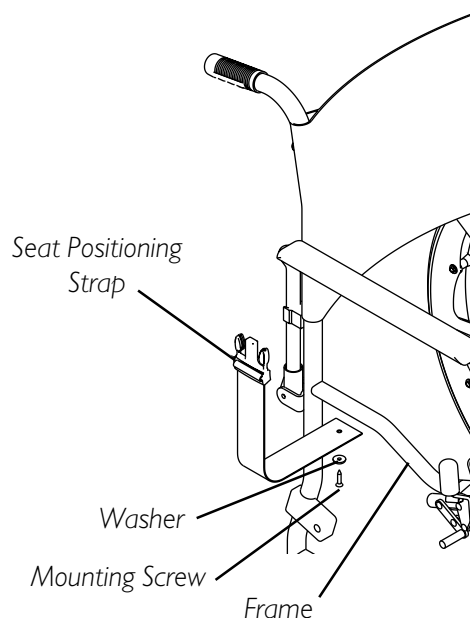
1. Move armrests out of the way by squeezing the armrest release lever and lifting.
2. Place seat in desired direction (DETAIL "A" of FIGURE 2).
3. Push seat down until it locks onto Rehab Shower Commode chair frame.

USING SEAT COVER (FIGURE 3)

Invacare provides a cover for the seat hole opening to be used if desired during shower use. Refer to FIGURE 3.

**FIGURE 3 - USING THE SEAT COVER****REMOVING/INSTALLING SEAT POSITIONING STRAP (FIGURE 4)****REMOVING**

1. Remove the seat. Refer to REMOVING/INSTALLING PADDED SEAT in section of this manual.
2. Move the swing back arm out of the way. Refer to POSITIONING SWING-BACK ARMS in SECTION 8 of this manual.
3. Remove the respective mounting screw and washer that secures each half of the seat positioning strap to the seat frame.

**FIGURE 4 - REMOVING/INSTALLING SEAT POSITIONING STRAP****INSTALLING**

1. Position the two (2) NEW seat positioning strap halves on the seat frame.
2. Reinstall the two (2) mounting screws and locknuts to secure the two (2) halves of the seat positioning straps to the seat frame.
3. Reinstall the seat. Refer to REMOVING/INSTALLING PADDED SEAT in section of this manual.

Section 6 - Pail - includes the following:

Removing/Installing the Pail

Removing/Installing Pail Holder

WARNING

Remove pail before using Rehab Shower Commode chair in shower.

REMOVING/INSTALLING THE PAIL (FIGURE 1)

1. TO REMOVE: From rear of Rehab Shower Commode chair, slide pail out of pail holder.

NOTE: Ensure pail does not tip/tilt while removing.

2. TO INSTALL: From rear of Rehab Shower Commode chair, slide pail into pail holder front first.

CLEANING

Clean the pail holder using a mild soap and water.

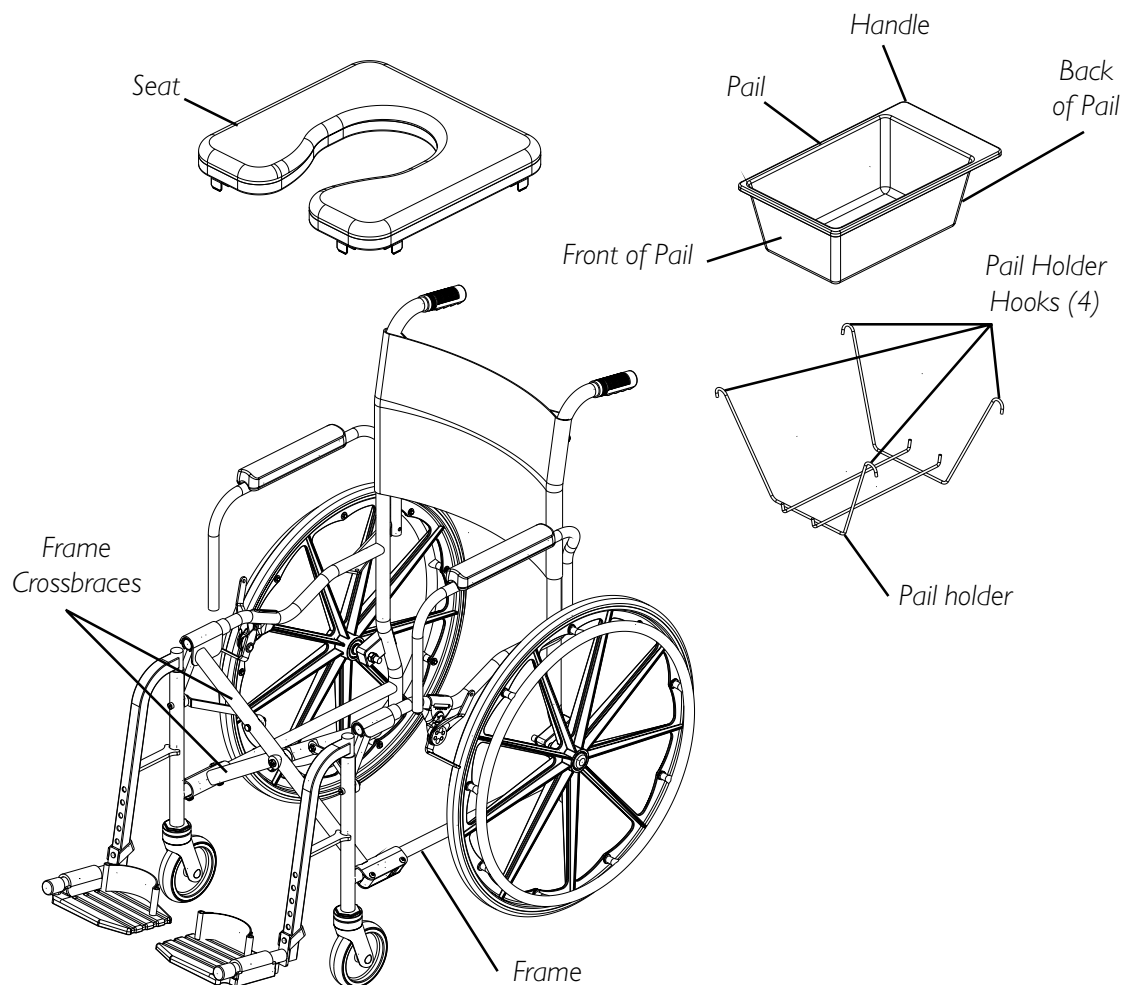


FIGURE 1 - REMOVING/INSTALLING PAIL AND PAIL HOLDER

REMOVING/INSTALLING THE PAIL HOLDER

REMOVING

1. Swing back the arms for easier access to seat. Refer to USING SWING-BACK ARMS in SECTION 8 of this manual.
2. Remove seat. Refer to REMOVING/INSTALLING PADDED SEAT in SECTION 5 of this manual.
3. Remove pail from pail holder. Refer to REMOVING/INSTALLING THE PAIL in this section of the manual.
4. Remove pail holder from frame tubing by lifting the four pail holder hooks out of the four holes on the tabs of the frame tubing (FIGURE 1).

INSTALLING

1. Install pail holder into frame tubing by inserting the four pail holder hooks into the four holes on the tabs of the frame tubing (FIGURE 1).
2. Install pail into pail holder. Refer to REMOVING/INSTALLING THE PAIL in this section of the manual.
3. Replace seat. Refer to REMOVING/INSTALLING PADDED SEAT in SECTION 5 of this manual.
4. Lower armrests into position until they lock into frame tubing. Refer to POSITIONING SWING-BACK ARMS in SECTION 8 of this manual.

Section 7 - Front Riggings - includes the following:

Removing/Installing/Adjusting Swingaway Footrest Assembly

Footplate Height Adjustment

Replacing Heel Loops

WARNING

After **ANY** adjustments, repair or service and **BEFORE** use, make sure all attaching hardware is tightened securely - otherwise injury or damage may result.

REMOVING/INSTALLING/ADJUSTING SWINGAWAY FOOTREST ASSEMBLY (FIGURE 1)

REMOVING

1. Lift footrest assembly to disengage from shower commode chair frame.
2. Remove footrest assembly from chair frame.

INSTALLING

1. Place the top of the footrest assembly into Rehab Shower Commode chair frame.
2. Slide and push down to lock in place.

ADJUSTING

1. Lift footrest assembly enough to disengage from inner pin, but not enough to totally remove from Rehab Shower Commode chair frame.
2. Swing the footrest to the outside of the Rehab Shower Commode chair.
3. Repeat the procedure for the other footrest assembly.

FOOTPLATE HEIGHT ADJUSTMENT

NOTE: Footplates adjust up and down by lifting up on the footplate until footplate adjustment pin disengages from hole.

1. Lift front of footplate up until footplate adjustment pin disengages from hole.
2. Slide footplate to alternate footplate adjustment height.
3. Push down on front of footplate until footplate adjustment pin engages into desired pin hole.

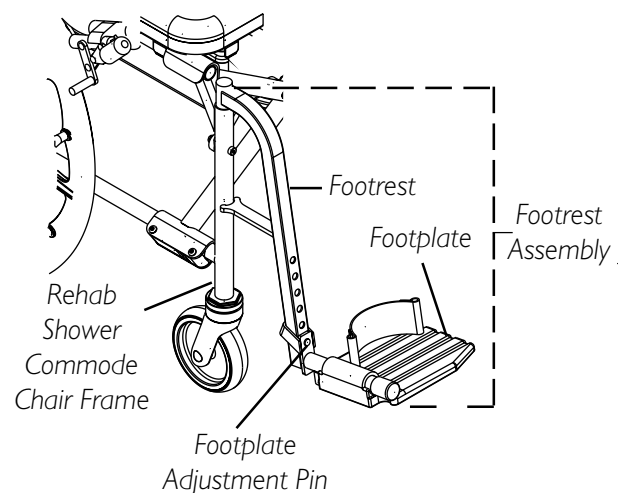
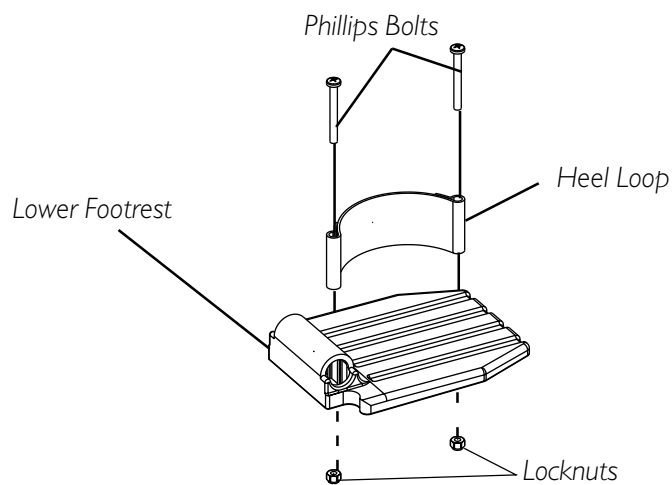


FIGURE 1 - REMOVING/INSTALLING/ADJUSTING SWINGAWAY FOOTREST ASSEMBLY

REPLACING HEEL LOOPS (FIGURE 3)

1. Note the position of hex bolt, coved washers and locknut for reinstallation.
2. Remove the hex bolt, coved washers and locknut that secure the lower footrest to the footrest support.
3. Remove the lower footrest.
4. Remove the phillips bolt, spacer and locknut that secure the existing heel loop to the lower footrest.
5. Slide the existing heel loop off the lower footrest.
6. Replace heel loop.
7. Reverse STEPS 1-6 to reassemble.

NOTE: When securing heel loop to lower footrest, tighten the phillips screw and locknut until the spacer is secure.

**FIGURE 3 - REPLACING HEEL LOOPS**

Section 8 - Arms - includes the following:**Removing/Installing Swing-Back Arms****Positioning Swing-Back Arms****Replacing Armrest Pad****WARNING**

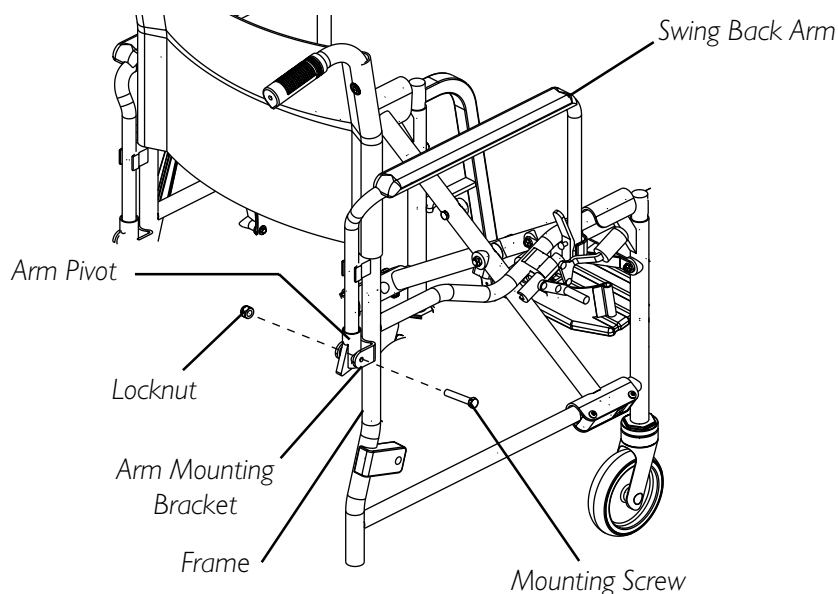
After ANY adjustments, repair or service and BEFORE use, make sure all attaching hardware is tightened securely - otherwise injury or damage may occur.

REMOVING/INSTALLING SWING-BACK ARMS (FIGURE 1)**REMOVING**

1. Swing arm back. Refer to POSITIONING SWING-BACK ARMS in this section of the manual.
2. Remove the mounting screw and locknut that secure the swing-back arm to the arm mounting bracket on the frame.
3. Remove the arm and arm pivot.
4. If necessary, repeat STEPS 1-3 for the other arm.

INSTALLING

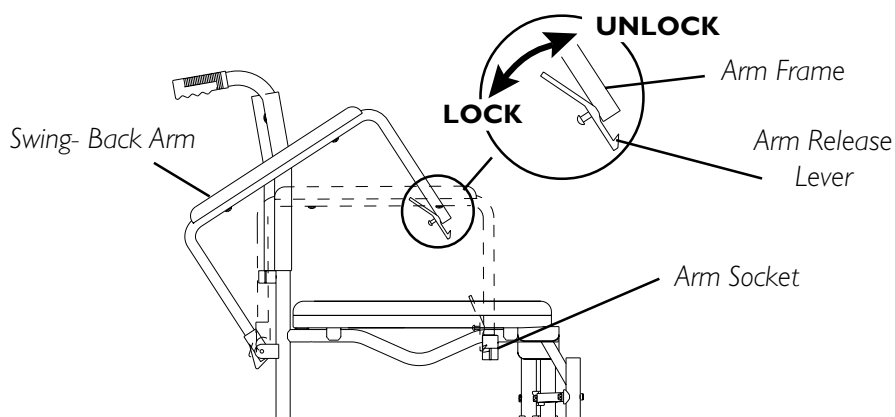
1. Install swing-back arm and arm pivot on the arm mounting bracket with mounting screw and locknut. Securely tighten.
2. Lock the swing-back arm by pushing the arm down into the socket until an audible "click" is heard.
3. If necessary, repeat STEPS 1-2 for the other swing back arm.

**FIGURE 1 - REMOVING/INSTALLING SWING-BACK ARMS**

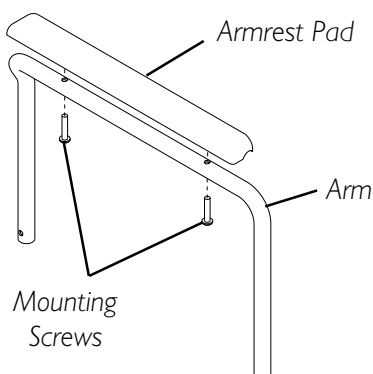
POSITIONING SWING-BACK ARMS (FIGURE 2)**WARNING**

Make sure the armrest release lever is in the locked position before using the Rehab Shower Commode chair.

1. Unlock the swing-back arm by pressing the arm release lever towards the arm frame.
2. Pull the front of the swing-back arm straight up/out of the arm socket and push back towards the rear of the Shower Commode chair.
3. To lock the swing-back arm, pull the swing-back arm forward and then push downward into the arm socket until an audible "click" is heard.

**FIGURE 2 - SWING-BACK ARMS****REPLACING ARMREST PAD (FIGURE 3)**

1. Remove the mounting screws that secure the armrest pad to the arm.
2. Replace armrest pad and securely tighten with the existing mounting screws.

**FIGURE 3 - REPLACING ARMREST PADS**

Section 9 - Casters - includes the following:

Removing/Installing Front Casters

Removing/Installing Casters with Brake

WARNING

After **ANY** adjustments, repair or service and **BEFORE** use, make sure all attaching hardware is tightened securely - otherwise injury or damage may result.

REMOVING/INSTALLING FRONT CASTERS - ON MODEL NOS. 6795 AND 6895 (FIGURE 1)

REMOVING

1. Loosen nut on caster assembly.
2. Unscrew the caster stem from the chair frame.

INSTALLING

1. Screw the caster stem to the chair frame.
2. Tighten nut on caster assembly.

NOTE: Overtightening will impair freedom of caster swing.

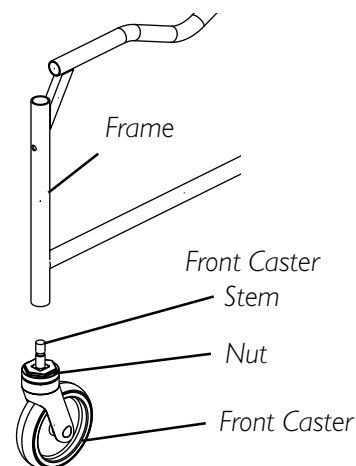


FIGURE 1 - REMOVING/INSTALLING FRONT CASTERS

REMOVING/INSTALLING CASTERS WITH BRAKE - ON MODEL NO. 6891 (FIGURE 2)

REMOVING

1. Loosen nut on caster assembly.
2. Unscrew the caster stem from the chair frame.

INSTALLING

1. Screw the caster stem to the chair frame.
2. Tighten nut on caster assembly.

NOTE: Overtightening will impair freedom of caster swing.

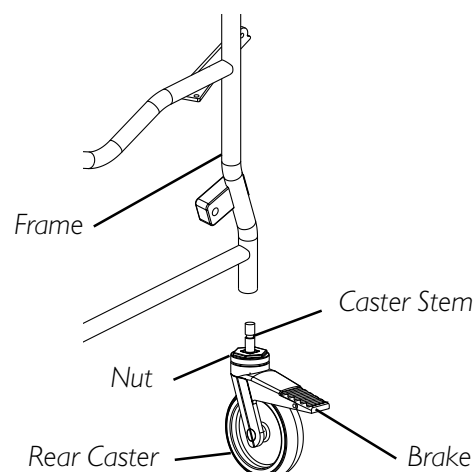


FIGURE 2 - REMOVING/INSTALLING CASTERS WITH BRAKE

Section 10 - Rear Wheels and Handrims - includes the following:

Removing/Installing Wheels

Replacing/Repairing Wheel Tire/Tube

Replacing Wheel Handrim

WARNING

After adjustments and before use make sure all attaching hardware is securely tightened.

REMOVING/INSTALLING WHEELS - ON MODEL NOS. 6795 AND 6895 (FIGURE 1)

REMOVING

1. Remove the cap.
2. Note the order of the hardware that secures the wheel to the frame.
3. Remove the mounting screw, washer, spacer and locknut that secure the wheel to the frame.
4. If necessary, repeat STEPS 1-3 for the other wheel.

INSTALLING

1. Install the wheel on the frame with the mounting screw, washer, spacer and locknut. Securely tighten.

NOTE: Ensure that the hardware is replaced in the order noted in STEP 2.

2. If necessary, repeat for the other wheel.

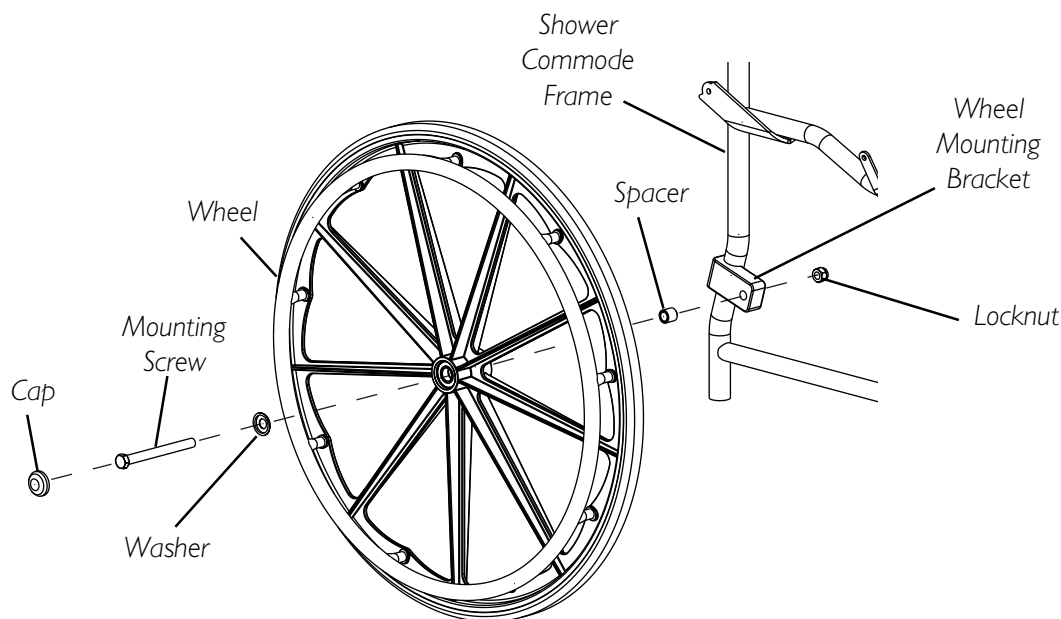


FIGURE 1 - INSTALLING REAR WHEELS

REPLACING/REPAIRING WHEEL TIRE**WARNING**

Replacement of wheel tire **MUST** be performed by a qualified technician.

REPLACING WHEEL HANDRIM (FIGURE 2)

1. Remove the wheel. Refer to REMOVING/INSTALLING WHEELS in this section of the manual.
2. Remove the button screws that secure the existing handrim to the wheel.
3. Remove the existing handrim.
4. Install the new handrim by reversing STEPS 1 and 3.
5. Reinstall wheel. Refer to REMOVING/INSTALLING WHEELS in this section of the manual.
6. If necessary, repeat this procedure for the opposite wheel.

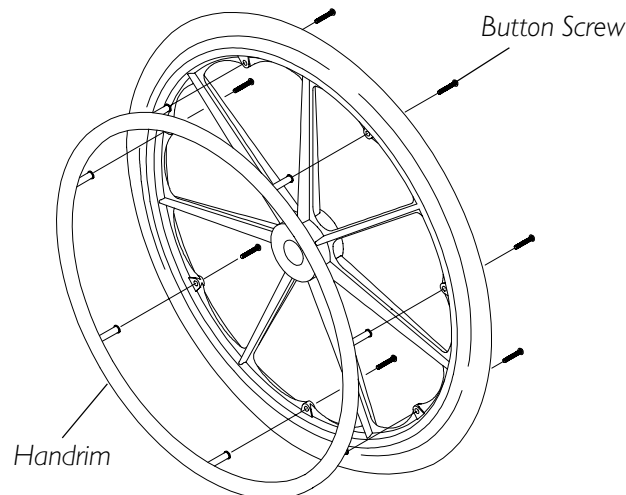


FIGURE 2 - REPLACING WHEEL HANDRIM

Section 11 - Wheel Locks - includes the following:

Using/Adjusting the Wheel Locks

WARNING

After **ANY** adjustments, repair or service and **BEFORE** use, make sure all attaching hardware is tightened securely - otherwise injury or damage may result.

If wheel locks do not hold the occupied Rehab Shower Commode chair in place contact a qualified technician - otherwise injury or damage may occur.

USING/ADJUSTING THE WHEEL LOCKS

USING THE WHEEL LOCKS (FIGURE 1)

WARNING

DO NOT attempt to stop a moving Rehab Shower Commode chair with the wheel locks. **WHEEL LOCKS ARE NOT BRAKES** - otherwise injury or damage may occur.

Keep hands and fingers clear of moving parts to avoid injury.

Wheel locks are standard on **ALL** Rehab Shower Commodes chairs with 24-inch rear wheels and 5-inch casters (on model nos. 6795 and 6895). These locks are provided to prevent the rear wheels from turning.

NOTE: Position Rehab Shower Commode chair on a flat, level surface to perform this procedure.

1. Ensure the Rehab Shower Commode chair is not moving before engaging the wheel locks.
2. To engage wheel locks, push the wheel lock handle forward to the LOCKED position (DETAIL "A" of FIGURE 1).
3. Disengage the wheel locks by reversing STEP 2 (DETAIL "B" of FIGURE 1).

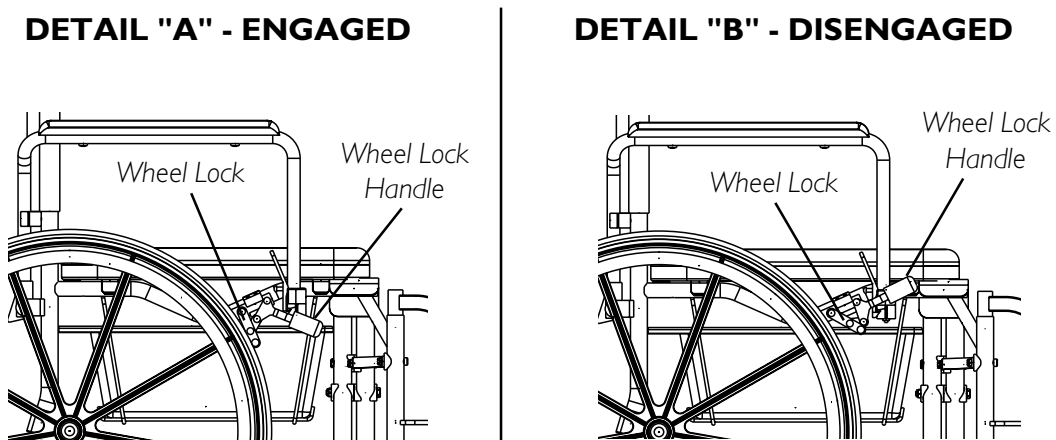


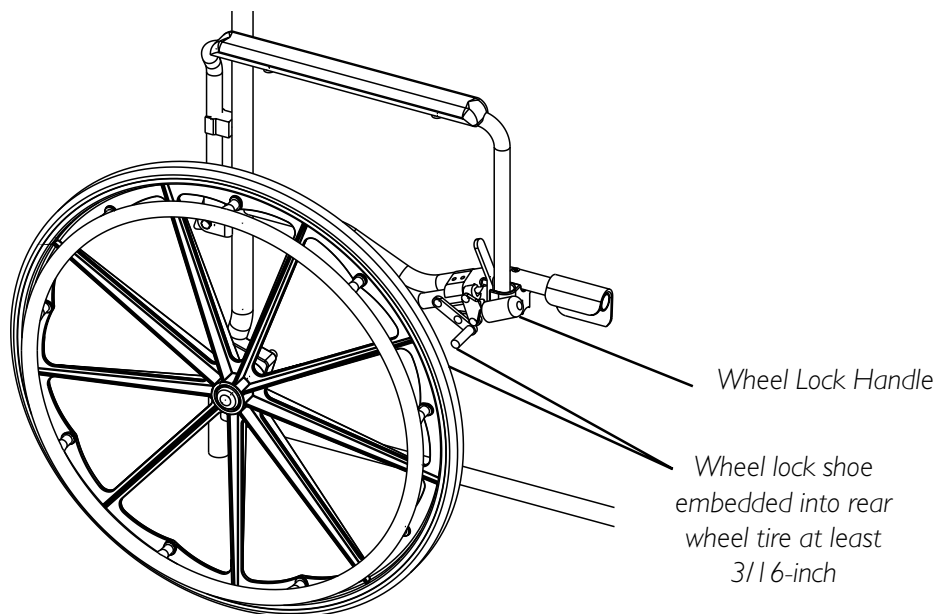
FIGURE 1 - USING WHEEL LOCKS

ADJUSTING THE WHEEL LOCKS (FIGURE 2)

1. Loosen the two (2) socket screws that secure the wheel lock assembly to the Rehab Shower Commode chair frame.

NOTE: Any wheel lock adjustment should embed the wheel lock shoe at least 3/16-inch into the tire when engaged.

2. Adjust the position of wheel lock until the 3/16-inch measurement is obtained for correct wheel lock adjustment (FIGURE 2).
3. Securely tighten the two (2) socket screws.
4. Engage the wheel lock and push against the Rehab Shower Commode chair and determine if the wheel lock engages the wheel lock shoe enough to hold the Rehab Shower Commode chair.
5. Repeat the above sections until the wheel lock holds the Rehab Shower Commode chair.
6. Repeat section for opposite wheel lock

**FIGURE 2 - ADJUSTING WHEEL LOCK**

LIMITED WARRANTY

PLEASE NOTE: THE WARRANTY BELOW HAS BEEN DRAFTED TO COMPLY WITH FEDERAL LAW APPLICABLE TO PRODUCTS MANUFACTURED AFTER JULY 4, 1975.

This warranty is extended only to the original purchaser/user of our products.

This warranty gives you specific legal rights and you may also have other legal rights which vary from state to state.

With regard to the original purchaser/user only, Invacare warrants its product to be free from defects in materials and workmanship for a period of three (3) years from date of purchase. If within such warranty period any such product shall be proven to be defective, such product shall be repaired or replaced, at Invacare's option. This warranty does not include any labor or shipping charges incurred in replacement part installation or repair of any such product. Invacare's sole obligation and your exclusive remedy under this warranty shall be limited to such repair and/or replacement.

For warranty service, please contact the dealer from whom you purchased your Invacare product. In the event you do not receive satisfactory warranty service, please write directly to Invacare at the address at the bottom of this page. Provide dealer's name, address, the product model number, date of purchase, indicate nature of the defect and, if the product is serialized, indicate the serial number. Do not return products to our factory without our prior consent.

LIMITATIONS AND EXCLUSIONS: THE FOREGOING WARRANTY SHALL NOT APPLY TO SERIAL NUMBERED PRODUCTS IF THE SERIAL NUMBER HAS BEEN REMOVED OR DEFACED, PRODUCTS SUBJECTED TO NEGLIGENCE, ACCIDENT, IMPROPER OPERATION, MAINTENANCE OR STORAGE, PRODUCTS MODIFIED WITHOUT INVACARE'S EXPRESS WRITTEN CONSENT INCLUDING, BUT NOT LIMITED TO, MODIFICATION THROUGH THE USE OF UNAUTHORIZED PARTS OR ATTACHMENTS; PRODUCTS DAMAGED BY REASON OF REPAIRS MADE TO ANY COMPONENT WITHOUT THE SPECIFIC CONSENT OF INVACARE, OR TO A PRODUCT DAMAGED BY CIRCUMSTANCES BEYOND INVACARE'S CONTROL, AND SUCH EVALUATION WILL BE SOLELY DETERMINED BY INVACARE. THE WARRANTY SHALL NOT APPLY TO PROBLEMS ARISING FROM NORMAL WEAR OR FAILURE TO ADHERE TO THESE INSTRUCTIONS.

THE FOREGOING EXPRESS WARRANTY IS EXCLUSIVE AND IN LIEU OF ANY OTHER WARRANTIES WHATSOEVER, WHETHER EXPRESS OR IMPLIED, INCLUDING THE IMPLIED WARRANTIES OF MERCHANTABILITY AND FITNESS FOR A PARTICULAR PURPOSE, AND THE SOLE REMEDY FOR VIOLATIONS OF ANY WARRANTY WHATSOEVER, SHALL BE LIMITED TO REPAIR OR REPLACEMENT OF THE DEFECTIVE PRODUCT PURSUANT TO THE TERMS CONTAINED HEREIN. THE APPLICATION OF ANY IMPLIED WARRANTY WHATSOEVER SHALL NOT EXTEND BEYOND THE DURATION OF THE EXPRESS WARRANTY PROVIDED HEREIN. INVACARE SHALL NOT BE LIABLE FOR ANY CONSEQUENTIAL OR INCIDENTAL DAMAGES WHATSOEVER.

THIS WARRANTY SHALL BE EXTENDED TO COMPLY WITH STATE/PROVINCIAL LAWS AND REQUIREMENTS.

AVERTISSEMENT

CETTE CHAISE DE DOUCHE AVEC SIÈGE D'AISANCE N'EST PAS CONÇUE OU PRÉVUE POUR LE TRANSPORT À L'EXTÉRIEUR OU POUR LA MOBILITÉ.

NE PAS UTILISER CET ÉQUIPEMENT SANS D'ABORD AVOIR LU ET COMPRIS CE MANUEL. SI VOUS NE COMPRENEZ PAS LES AVERTISSEMENTS, LES NOTES ATTENTION OU LES INSTRUCTIONS, CONTACTEZ UN PROFESSIONNEL DES SOINS DE SANTÉ, UN FOURNISSEUR OU UN TECHNICIEN AVANT DE TENTER D'UTILISER CET ÉQUIPEMENT, SANS QUOI DES BLESSURES OU DES DOMMAGES PEUVENT SURVENIR.

AVERTISSEMENT/ IMPORTANT

IMPORTANT

Les AVERTISSEMENTS/NOTES ATTENTION utilisés dans ce manuel s'appliquent aux dangers et aux pratiques dangereuses qui peuvent causer des blessures ou des dommages à la propriété.

NOTE

L'INFORMATION CONTENUE DANS CE DOCUMENT PEUT ÊTRE MODIFIÉE SANS PRÉAVIS.

UTILISATEUR DE LA CHAISE DE DOUCHE AVEC SIÈGE D'AISANCE

En tant que fabricant de chaise de douche avec siège d'aisance, Invacare s'efforce d'en offrir une grande variété afin de répondre aux nombreux besoins de l'utilisateur. Cependant, le choix final du type de chaise de douche avec siège d'aisance demeure la responsabilité de l'utilisateur et de son professionnel des soins de santé en mesure de faire ce choix.

CEINTURES DE CHAISE DE DOUCHE AVEC SIÈGE D'AISANCE

Invacare recommande de **NE PAS** transporter les utilisateurs de chaise de douche avec siège d'aisance à bord d'un véhicule lorsqu'ils sont assis dans leur chaise. À ce jour, le ministère des Transports n'a approuvé aucun système d'attaches pour le transport des personnes assises dans leur chaise de douche avec siège d'aisance et ce, pour tous les types de véhicules.

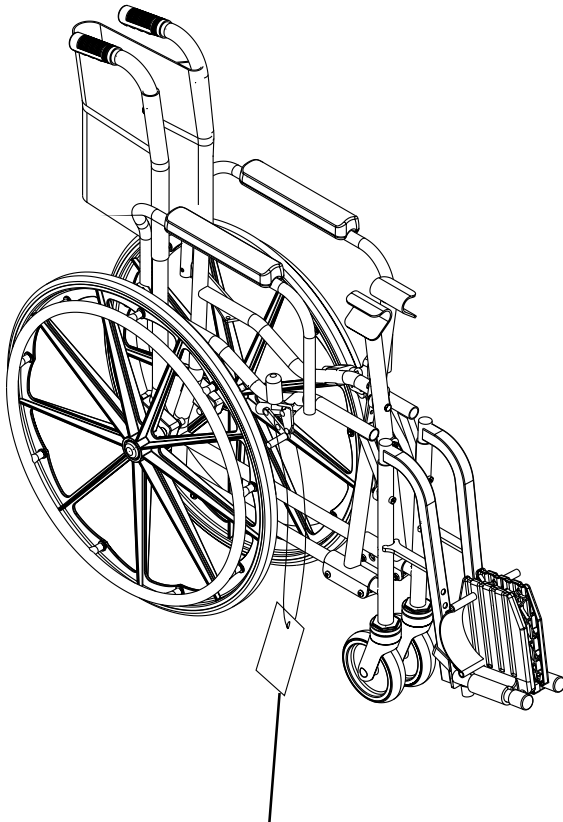
Invacare recommande de transférer les utilisateurs de chaise de douche avec siège d'aisance sur les sièges du véhicule et de les attacher avec les ceintures de sécurité du véhicule. Invacare ne peut ni ne veut recommander de système de transport de chaise de douche avec siège d'aisance.

AU SUJET DES CEINTURES - LE FOURNISSEUR DME, LE THÉRAPEUTE ET LES AUTRES PROFESSIONNELS DES SOINS DE SANTÉ SONT RESPONSABLES DE DÉTERMINER SI LA CEINTURE EST NÉCESSAIRE POUR ASSURER LA SÉCURITÉ DE L'UTILISATEUR. DES BLESSURES GRAVES PEUVENT SURVENIR SI L'UTILISATEUR TOMBE DE LA CHAISE DE DOUCHE AVEC SIÈGE D'AISANCE.

TABLE DES MATIÈRES

IMPORTANT	33
EMPLACEMENT DES ÉTIQUETTES	35
SPÉCIFICATIONS	36
SECTION 1 - CONSIGNES GÉNÉRALES	37
INFORMATION DE FONCTIONNEMENT	37
MUSCULATION	38
LIMITE DE POIDS	38
SÉCURITÉ/MANIPULATION DE LA CHAISE DE DOUCHE AVEC SIÈGE D'AISANCE	38
SECTION 2 - INSPECTION DE SÉCURITÉ	42
LISTE D'INSPECTION DE SÉCURITÉ	42
DÉPANNAGE	43
SECTION 3 - SOIN ET ENTRETIEN	45
PRÉCAUTIONS DE SÉCURITÉ POUR L'ENTRETIEN	45
PROCÉDURES SUGGÉRÉES POUR L'ENTRETIEN	45
SECTION 4 - DÉPLIER/PLIER	46
DÉPLIER/PLIER LA CHAISE DE DOUCHE AVEC SIÈGE D'AISANCE	46
SECTION 5 - SIÈGE ET DOSSIER	47
REPLACER LA GARNITURE DE DOSSIER	47
ENLEVER/INSTALLER LE SIÈGE REMBOURRÉ	47
UTILISER LE REVÊTEMENT DE SIÈGE	48
ENLEVER/INSTALLER LA CEINTURE	48
SECTION 6 - SEAU	49
ENLEVER/INSTALLER LE SEAU	49
ENLEVER/INSTALLER LE PORTE-SEAU	50
SECTION 7 - APPUIE-JAMBES/PIEDS	51
ENLEVER/INSTALLER/RÉGLER LES APPUIE-JAMBES PIVOTANTS	51
RÉGLER LA HAUTEUR DE LA PALETTE	51
REPLACER LES TALONNIÈRES	52
SECTION 8 - APPUIE-BRAS	53
ENLEVER/INSTALLER LES APPUIE-BRAS PIVOTANTS	53
POSITIONNER LES APPUIE-BRAS PIVOTANTS	54
REPLACER LE COUSSINET DE L'APPUIE-BRAS	54
SECTION 9 - ROUES AVANT	55
ENLEVER/INSTALLER LES ROUES AVANT	
- MODÈLE # 6795 ET # 6895	55
ENLEVER/INSTALLER LES ROUES AVANT AVEC FREIN	
- MODÈLE # 6891	55
SECTION 10 - ROUES ARRIÈRE ET CERCEAUX DE CONDUITE	56
ENLEVER/INSTALLER LES ROUES - MODÈLE # 6795 ET # 6895	56
REPLACER/RÉPARER LE PNEU	57
REPLACER LE CERCEAU DE CONDUITE	57
SECTION 11 - FREINS DE BLOCAGE	58
UTILISER/RÉGLER LES FREINS DE BLOCAGE	58
GARANTIE LIMITÉE	BACK COVER

EMPLACEMENT DES ÉTIQUETTES



NOTE IMPORTANTE

Les freins de blocage sur ce fauteuil ont été réglés à l'usine afin de satisfaire les standards de fonctionnement administratif des anciens combattants 8320.01 du registre fédéral, paragraphe 3.2.4.5.3. Si ces freins de blocage ne satisfont pas vos besoins, suivre les instructions suivantes.

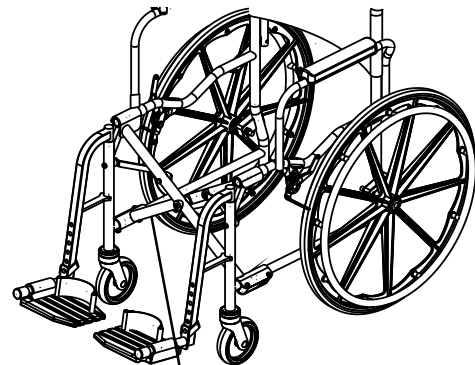
⚠ ATTENTION

Tous les réglages des freins de blocage doivent permettre au sabot de s'enfoncer de 1/8" dans le pneu (3/16" sur les pneumatiques).

INSTRUCTIONS POUR RÉGLER LES FREINS DE BLOCAGE

1. Desserrer l'attache du frein de blocage qui passe dans le support de montage et le châssis.
2. Déplacer la pince vers l'arrière de la roue jusqu'à ce que le sabot s'enfonce dans le pneu d'au moins 1/8 po. lorsque la poignée est enclenchée en position bloquée (3/16 po. pour les pneus pneumatiques).
3. Serrer l'attache du frein de blocage pour fixer le support de montage à l'endroit voulu et vérifier l'enfoncement du sabot.
4. Vérifier le blocage AVANT l'utilisation.

P/N 1114837 REV A



WEIGHT CAPACITY
POIDS MAXIMUM DE L'UTILISATEUR
300 LBS. (136 kgs.)
REFER TO OWNER'S MANUAL
CONSULTER LE GUIDE D'UTILISATION
P/N 1114837

NOTE: L'étiquette indiquant la limite de poids est situé à l'arrière du croisillon.

SPÉCIFICATIONS

CHAISE DE DOUCHE AVEC SIÈGE D'AISANCE

SPÉCIFICATIONS

Numéro de modèle	Siège 18,50 po. (Roues avant 5 po.)	Siège 18,50 po. (Roues 24 po.)	Siège 16 po. (Roues 24 po.)
Hauteur totale de la chaise (Du plancher jusqu'au-dessus des poignées)	38½"	38½"	38½"
Distance siège/sol	23"	23"	23"
Distance siège/appuie-bras	7¾"	7¾"	7¾"
Hauteur du dossier (Du dessus du siège au dessus de la garniture)	15½ po.	15½ po.	15½ po.
Extension max des appuie-pieds (À partir du dessus du siège)	20¾"	20¾"	20¾"
Extension min des appuie-pieds (À partir du dessus du siège)	16¾"	16¾"	16¾"
Largeur totale de la chaise (D'un cerceau de conduite à l'autre)	22" pas de cerceaux de conduite	26½"	24½"
Largeur totale du dossier	18"	18"	16"
Largeur du siège	18½"	18½"	16"
Largeur entre les appuie-bras	18"	18"	16"
Largeur de la chaise pliée	8"	12"	12"
Profondeur totale (Sans les appuie-bras/pieds)	30"	33"	33"
Profondeur du siège	18¼"	18¼"	16"
Poids	30 lbs	41 lbs	40 lbs
Limite de poids	300 lbs	300 lbs	300 lbs
Dégagement au-dessus de la toilette			
Profondeur (Croisillon avant au rebord du pneu arrière)	19" Pas de pneu	28"	28"
Profondeur (Boulon de l'essieu de la roue arrière au rebord du pneu)	N/D	11½"	11½"
Hauteur (Plancher à la base du siège)	20¼"	20¼"	20¼"
Largeur intérieure (Entre les châssis latéraux)	16"	16"	14"

Section I - Consignes générales:

<i>Information de fonctionnement</i>	<i>Limite de poids</i>
<i>Musculation</i>	<i>Sécurité/manipulation de la chaise de douche avec siège d'aisance</i>

INFORMATION DE FONCTIONNEMENT**AVERTISSEMENTS GÉNÉRAUX**

CETTE CHAISE DE DOUCHE AVEC SIÈGE D'AISANCE N'EST PAS CONÇUE OU PRÉVUE POUR LE TRANSPORT À L'EXTÉRIEUR OU LA MOBILITÉ.

GARDER LES MAINS ET LES DOIGTS ÉLOIGNÉS DES PIÈCES MOBILES POUR ÉVITER LES BLESSURES.

À moins d'avis contraire, tout entretien ou réglage doit être exécuté lorsque la chaise de douche avec siège d'aisance est inoccupée.

Pour déterminer et établir vos limites personnelles de sécurité, pratiquez-vous à vous pencher, à atteindre des objets et à transférer en présence d'un professionnel des soins de santé **AVANT** de tenter d'utiliser activement la chaise de douche avec siège d'aisance.

TOUJOURS porter les ceintures.

TOUJOURS vérifier si les gaines des poignées sont sécuritaires **AVANT** que l'assistant ne pousse la chaise de douche avec siège d'aisance. Si les gaines sont lâches ou abîmées, contacter un technicien qualifié. **NE PAS** tenter de déplacer la chaise de douche avec siège d'aisance si les gaines ne sont pas sécuritaires ou si elles sont abîmées.

NE PAS tenter d'atteindre des objets si vous devez vous déplacer vers l'avant du siège.

NE PAS tenter d'atteindre des objets si vous devez vous pencher entre vos genoux.

NE PAS vous pencher par-dessus la garniture du dossier. Cela changera votre centre de gravité et vous pourriez basculer.

NE PAS déplacer son poids ou sa position dans la direction de l'objet que vous tentez de rejoindre; la chaise de douche avec siège d'aisance pourrait basculer.

NE PAS utiliser d'escalier roulant pour déplacer une chaise de douche avec siège d'aisance entre des étages. Des blessures graves peuvent survenir.

LES FREINS DE BLOCAGE NE SONT PAS DES FREINS. NE PAS tenter d'immobiliser une chaise de douche avec siège d'aisance en mouvement avec les freins de blocage.

Avant de tenter de transférer dans ou hors de la chaise de douche avec siège d'aisance, toutes les précautions doivent être prises pour réduire la distance à franchir. Placer toutes les roues avant parallèles à l'objet où vous transférez. Au moment du transfert, dans ou hors de la chaise de douche avec siège d'aisance, **TOUJOURS ENCLENCHER LES DEUX (2) FREINS DE BLOCAGE** (pour les modèles 6795 et 6895) ou **LES FREINS SUR LES QUATRE ROUES** (modèle 6891).

NE PAS s'asseoir ou transférer dans la chaise de douche avec siège d'aisance si la chaise n'est pas complètement ouverte.

NE PAS franchir, descendre ou monter de rampes ou de pentes de plus de 9° d'inclinaison.

NE PAS tenter de monter ou descendre des plans inclinés recouverts d'eau, de glace ou d'un film d'huile.

CONSIGNES GÉNÉRALES (SUITE)

NE PAS utiliser de pièces, d'accessoires ou d'adaptateurs autres que ceux autorisés par Invacare, sans quoi la garantie sera annulée.

NE PAS tenter de franchir des obstacles, sans quoi la chaise de douche avec siège d'aisance pourrait basculer et causer des blessures ou endommager la chaise.

NE PAS trop serrer la quincaillerie de fixation sur le châssis. Ceci pourrait endommager les tubes du châssis.

NE PAS utiliser les palettes comme plate-forme pour s'asseoir ou se relever de la chaise de douche avec siège d'aisance,

NE PAS tenter de soulever la chaise de douche avec siège d'aisance par des pièces amovibles (détachables), sans quoi des blessures à l'utilisateur ou des dommages à la chaise de douche avec siège d'aisance peuvent survenir.

NE PAS se tenir sur le châssis de la chaise de douche avec siège d'aisance.

Pour nettoyer les montants et les poignées, utiliser seulement un linge propre humidifié avec de l'eau froide. Vérifier si les gaines sont sèches avant de les utiliser. L'utilisation de savon ou d'une solution à base d'ammoniaque fera glisser les gaines des montants. Le non respect de cet avertissement pourrait causer des blessures à l'utilisateur ou aux personnes à proximité.

NE PAS basculer la chaise de douche avec siège d'aisance sans aide.

TOUJOURS utiliser les cerceaux de conduite pour s'auto-propulser.

MUSCULATION**AVERTISSEMENT**

Invacare recommande de **NE PAS** utiliser ses chaises de douche avec siège d'aisance comme appareil de musculation. Les chaises de douche avec siège d'aisance Invacare **NE** sont **PAS** conçues ou testées pour servir de siège pour faire de la musculation. Si l'occupant utilise la chaise de douche avec siège d'aisance comme appareil de musculation, Invacare **NE** pourra être tenu responsable des blessures et la garantie sera annulée.

LIMITE DE POIDS**AVERTISSEMENT**

La limite de poids de la chaise de douche avec siège d'aisance est de 300 livres (136 kg).

SÉCURITÉ/MANIPULATION DES CHAISES DE DOUCHE AVEC SIÈGE D'AISANCE

La sécurité et la manipulation de la chaise de douche avec siège d'aisance nécessitent toute l'attention de l'utilisateur et de l'assistant. Ce manuel présente les techniques et les procédures couramment utilisées pour l'utilisation sécuritaire et l'entretien de la chaise de douche avec siège d'aisance. Il est important de pratiquer et de maîtriser ces techniques de sécurité jusqu'à ce que vous soyez à l'aise pour manoeuvrer autour des obstacles fréquemment rencontrés.

Utiliser cette information comme guide de base seulement. Les techniques présentées dans les pages suivantes se sont avérées efficaces pour plusieurs personnes.

Les utilisateurs de chaise de douche avec siège d'aisance développent souvent des habiletés, différentes de celles décrites dans ce manuel, qui leur permettent de pratiquer les activités quotidiennes. Invacare reconnaît et encourage chaque personne à découvrir ce qui lui convient le mieux, afin d'arriver à surmonter les obstacles architecturaux qu'elle peut rencontrer. Toutefois, TOUS LES AVERTISSEMENTS ET LES NOTES ATTENTION donnés dans ce manuel DOIVENT être respectés. Les techniques présentées dans ce manuel sont un point de départ pour le nouvel utilisateur et son assistant, et misent avant tout sur la sécurité.

STABILITÉ ET ÉQUILIBRE

AVERTISSEMENT

TOUJOURS porter LA CEINTURE.

Pour assurer la stabilité et le bon fonctionnement de votre chaise de douche avec siège d'aisance, vous devez maintenir un bon équilibre en tout temps. Votre chaise de douche avec siège d'aisance a été conçue pour demeurer droite et stable tout au long de vos activités quotidiennes, en autant que vous n'excédiez pas les limites de votre centre de gravité.

Pratiquement toutes les activités qui impliquent un mouvement dans la chaise de douche avec siège d'aisance ont un effet sur le centre de gravité. Invacare recommande d'utiliser les ceintures (de siège, thoraciques) pour plus de sécurité lors des activités qui impliquent un déplacement de votre poids.

NE PAS se pencher vers l'avant de la chaise de douche avec siège d'aisance, au-delà de la longueur des appuie-bras. S'assurer que les roues avant pointent vers l'avant lorsque vous vous penchez vers l'avant. En avançant la chaise de douche avec siège d'aisance puis en la reculant, les roues avant pointeront vers l'avant.

FAIRE FACE AUX OBSTACLES QUOTIDIENS

Apprendre à utiliser sa chaise de douche avec siège d'aisance peut diminuer les frustrations ressenties face aux obstacles de la vie quotidienne. Garder en tête votre centre de gravité pour maintenir votre stabilité et votre équilibre.

NOTE AUX ASSISTANTS

Lorsque l'utilisateur de la chaise de douche avec siège d'aisance nécessite de l'aide, rappelez-vous de bien forcer.

AVERTISSEMENT

NE PAS tenter de soulever la chaise de douche avec siège d'aisance par des pièces amovibles (détachables), sans quoi des blessures ou des dommages peuvent survenir.

TOUJOURS vérifier si les gaines des poignées sont sécuritaires AVANT qu'un assistant ne pousse ou ne soulève la chaise de douche avec siège d'aisance. Si les gaines sont lâches ou abîmées, contacter un technicien qualifié. NE PAS tenter de déplacer la chaise de douche avec siège d'aisance si les gaines ne sont pas sécuritaires ou si elles sont abîmées.

Méfiez-vous également des pièces amovibles (détachables) telles que les appuie-bras ou les appuie-jambes. Ces pièces ne doivent JAMAIS servir de support pour déplacer la chaise de douche avec siège d'aisance puisqu'elles risquent de se détacher et causer des blessures à l'utilisateur et/ou à l'assistant.

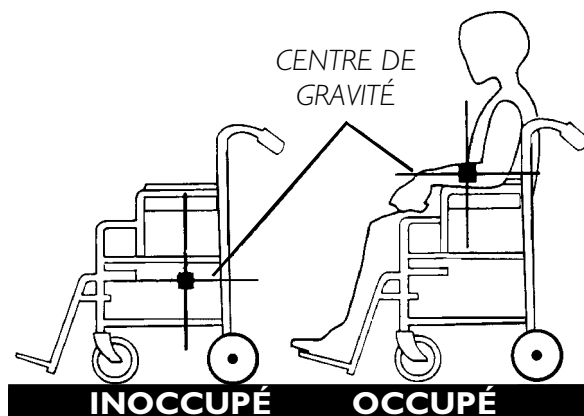
Lorsque vous apprenez une nouvelle technique d'aide, demandez l'aide d'un assistant expérimenté avant de la tenter seule.

POURCENTAGE DE DISTRIBUTION DE POIDS**AVERTISSEMENT**

NE PAS tenter d'atteindre d'objets si vous devez vous avancer sur le siège ou si vous devez les ramasser au sol en vous penchant entre vos genoux.

La profondeur/largeur du siège, la hauteur du dossier, la position des roues avant, la taille/position des roues arrière ainsi que la condition de l'utilisateur sont directement reliés à la stabilité de la chaise de douche avec siège d'aisance. Tout changement à une (1) ou plusieurs des combinaisons précédentes diminuera la stabilité de la chaise de douche avec siège d'aisance. Ces réglages **DOIVENT** être exécutés par un technicien qualifié.

Plusieurs activités obligent l'utilisateur de la chaise de douche avec siège d'aisance à s'étirer, à se pencher et à effectuer un transfert de la chaise. Ces mouvements entraîneront un changement de l'équilibre, du centre de gravité et de la distribution du poids de la chaise. Pour déterminer et fixer ses limites sécuritaires personnelles, s'exercer à se pencher, à s'étirer et à effectuer des transferts, de diverses manières, en présence d'un professionnel des soins de santé, **AVANT** de commencer à se servir activement de la chaise de douche avec siège d'aisance.

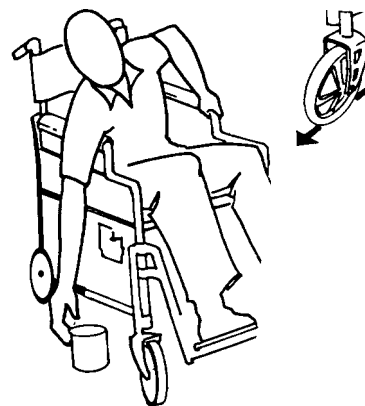


Une bonne position est essentielle à votre sécurité. Pour s'étirer, se pencher ou atteindre un objet, il est important d'utiliser les roues avant pour maintenir la stabilité et l'équilibre.

S'ÉTIRER, SE PENCHER ET SE PLIER - VERS L'AVANT**AVERTISSEMENT**

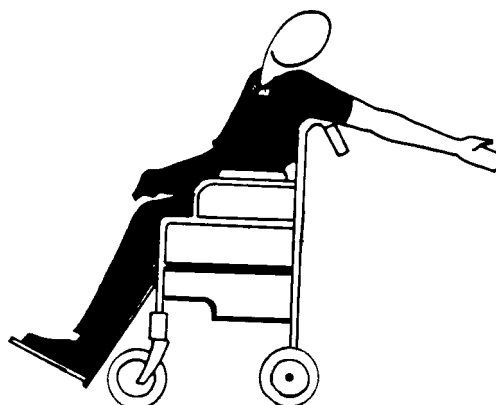
NE PAS tenter de joindre des objets si vous devez vous déplacer vers l'avant du siège ou si vous devez les ramasser du plancher en vous penchant entre vos genoux.

Placer les roues avant de façon à ce qu'elles soient le plus vers l'avant possible et enclencher les freins de blocage.

**ATTEINDRE, SE PENCHER - VERS L'ARRIÈRE****AVERTISSEMENT**

NE PAS se pencher par-dessus la garniture du dossier. Ceci modifiera votre centre de gravité et pourrait vous faire basculer.

Placer la chaise de douche avec siège d'aisance le plus près possible de l'objet voulu. Orienter les roues avant vers l'avant pour créer un empattement le plus grand possible. Étendre le bras au maximum vers l'arrière sans toutefois changer votre position assise.



BASCULER**AVERTISSEMENT**

NE PAS basculer la chaise de douche avec siège d'aisance sans aide.

Pour basculer la chaise de douche avec siège d'aisance, l'assistant devrait saisir une pièce non amovible (non-détachable) du dossier. Aviser l'occupant de la chaise de douche avec siège d'aisance avant de basculer la chaise et lui rappeler de se pencher vers l'arrière. S'assurer que ses pieds et ses mains sont loin des roues et/ou des points de pincement.

AVERTISSEMENT

Lorsque vous abaissez les roues avant de la chaise de douche avec siège d'aisance, NE PAS laisser retomber la chaise au sol. L'occupant pourrait être blessé et/ou la chaise endommagée.

ESCALIERS**AVERTISSEMENT**

TOUJOURS porter sa ceinture.

Ne pas tenter de soulever la chaise de douche avec siège d'aisance par des pièces amovibles (détachables); l'utilisateur pourrait être blessé ou la chaise endommagée.

TOUJOURS vérifier si les gaines des poignées sont sécuritaires **AVANT** qu'un assistant ne pousse ou ne soulève la chaise douche avec siège d'aisance. **Si les gaines sont lâches ou abîmées, contacter un technicien qualifié. NE PAS** tenter de déplacer la chaise de douche avec siège d'aisance si les gaines ne sont pas sécuritaires ou si elles sont abîmées.

Faire preuve d'une très grande prudence lorsque vous déplacez une chaise de douche avec siège d'aisance occupée dans les escaliers. Invacare recommande de sortir l'occupant de la chaise, si possible. Invacare recommande la présence de deux (2) assistants et une préparation rigoureuse. S'assurer d'utiliser SEULEMENT des pièces sécuritaires, non détachables pour soutenir la chaise.

Suivre cette procédure pour déplacer la chaise de douche avec siège d'aisance d'un étage à un autre lorsqu'un ascenseur n'est PAS disponible:

1. Après avoir incliné la chaise jusqu'à son point d'équilibre, un assistant (placé à l'arrière) recule la chaise contre la première marche, tout en tenant fermement une pièce non amovible (non-détachable) de la chaise pour la soulever.
2. Le deuxième assistant, avec une bonne prise sur une pièce non-détachable du châssis, soulève la chaise par-dessus la marche et stabilise la chaise pendant que le deuxième assistant place un pied sur la marche suivante et répète L'ÉTAPE 1.
3. La chaise ne doit pas être abaissée avant d'avoir franchi la dernière marche et avant d'être éloigné de l'escalier.

AVERTISSEMENT

Lorsque vous abaissez les roues avant de la chaise de douche avec siège d'aisance, **NE PAS** laisser la chaise retomber au sol. Ceci pourrait causer des blessures à l'occupant et /ou des dommages à la chaise.

ESCALIERS ROULANTS**AVERTISSEMENT**

NE PAS utiliser d'escalier roulant pour déplacer une chaise de douche avec siège d'aisance d'un étage à un autre. Des blessures graves peuvent survenir.

TRANSFÉRER D'UN SIÈGE À UN AUTRE**AVERTISSEMENT**

AVANT de tenter de transférer de ou dans sa chaise de douche avec siège d'aisance, toutes les précautions doivent être prises pour réduire la distance à franchir. Placer les deux roues avant parallèle au lieu de transfert. S'assurer que les freins de blocage sont enclenchés pour prévenir le déplacement de la chaise.

ATTENTION

Lors d'un transfert, se placer bien au fond du siège. Cette pratique empêchera la garniture de s'endommager et la chaise de douche avec siège d'aisance de basculer.

NOTE: Cette activité peut être pratiquée seul à condition d'être suffisamment mobile et fort physiquement.

Placer la chaise de douche avec siège d'aisance le plus près possible du siège dans lequel vous transférez et les roues avant parallèle au siège. Relever l'appuie-bras. Enclencher les freins de blocage sur les modèles de chaise 6795 et 6895 OU les freins sur le modèle 6891. Transférer le poids vers l'autre siège.

Lors d'un transfert effectué seul, vous aurez peu ou n'aurez pas de siège sous vous. Si possible, utiliser une planche de transfert.



Section 2 - Inspection de sécurité:**Liste d'inspection de sécurité****Dépannage****LISTE D'INSPECTION DE SÉCURITÉ**

NOTE: Tous les six (6) mois, apportez votre chaise de douche avec siège d'aisance chez un technicien qualifié pour un entretien et une inspection en profondeur. Un nettoyage régulier permettra de détecter les pièces usées ou lâches, et améliorera le rendement de votre chaise. Pour fonctionner adéquatement et sécuritairement, votre chaise doit être entretenue comme tout autre véhicule. Un entretien régulier augmentera la durée de vie et l'efficacité de votre chaise.

Les réglages initiaux devraient être faits en fonction du physique et des préférences de l'utilisateur. Suivre ensuite les procédures d'entretien suivantes:

ITEM	Inspecter/Régler			
	Initial	I/sem.	I/mois	Périodiquement
GÉNÉRAL • Chaise de douche avec siège d'aisance roule droit (ne dévie pas).	X			X
CHÂSSIS ET ENTRETOISES (SECTION 4) • Vérifier si la quincaillerie est lâche ou manquante. • Vérifier si le châssis ou les entretoises sont pliés.	X X			X X
SIÈGE ET DOSSIER (SECTION 5) • Vérifier s'il y a des déchirures ou si c'est lâche. • Vérifier si la quincaillerie est brisée ou desserrée. • Vérifier si les gaines des montants sont lâches, déchirées ou abîmées.	X X X		X X	X
ROUES AVANT (SECTION 9) • Vérifier la tension fourche/roue en tournant la roue avant; celle-ci devrait s'arrêter graduellement. • Serrer/desserrer l'écrou de blocage si la roue vibre ou s'arrête d'un coup. • S'assurer que les roulements sont secs et propres. • Vérifier si les roues sont usées ou fendillées. ATTENTION: Comme pour tout autre véhicule, vérifier périodiquement si les roues et les pneus sont fendus ou usés, et les remplacer si nécessaire.	X X X X	X	X X	X X
NETTOYAGE • Nettoyer les garnitures et les appuie-bras.	X			X

LISTE D'INSPECTION DE SÉCURITÉ (SUITE)

ITEM	Inspecter/Régler			
	Initial	l/sem.	l/mois	Périodiquement
RAYONS • Vérifier s'il y a des rayons brisés.	X	X		
ROUES ARRIÈRE (SECTION 10) • Aucun mouvement latéral ou pliage lorsque soulevé/tourné. • Vérifier s'il y a des rayons fendus, pliés ou brisés.	X X	X		X
PNEUS (SECTION 10) • Vérifier s'il y a des points plats ou de l'usure. ATTENTION: Comme pour tout autre véhicule, vérifier périodiquement si les roues et les pneus sont fendus ou usés, et les remplacer si nécessaire.	X			
CERCEAUX DE CONDUITE (SECTION 10) • Vérifier si les rebords sont rugueux.	X			
FREINS DE BLOCAGE (SECTION 11) • Ne nuit pas au roulement. • Points pivots propres et secs. • Freins de blocage facile à enclencher. • Freins de blocage enclenchés empêchent la chaise de rouler.	X X X X	X	X X	X

DÉPANNAGE

Fauteuil Dévie à Droite/Gauche	Virage/Rendement Lent	Roues Avant Vibrent	Grince et Vibre	Chaise Lâche	Roule Sur 3 Roues	Solutions
X	X	X	X	X		Vérifier s'il y a des écrous/boulons lâches.
X		X				Vérifier si les roues avant touchent le sol en même temps.
	X	X	X	X		Vérifier s'il y a des boulons ou des écrous lâches.
X					X	Vérifier si les roues arrière sont à égale distance du châssis du siège.

Section 3 - Soins et entretien:**Précautions de sécurité pour l'entretien****Procédures d'entretien suggérées****Nettoyage****PRÉCAUTIONS DE SÉCURITÉ POUR L'ENTRETIEN****AVERTISSEMENT**

Après **TOUT** réglage, réparation ou entretien, et **AVANT** utilisation, s'assurer que toute la quincaillerie de fixation est bien serrée, sans quoi des blessures ou des dommages peuvent survenir.

ATTENTION

NE PAS trop serrer la quincaillerie fixée au châssis, sans quoi les tubes du châssis pourraient être endommagés.

Votre chaise de douche avec siège d'aisance a été assemblée avec soin et est prête pour utilisation immédiate. Afin d'obtenir le meilleur rendement de votre chaise, il est suggéré de suivre un horaire d'entretien régulier.

Vérifier périodiquement votre chaise pour vous assurer que **TOUTES** les pièces et les boulons sont bien serrés. À ce moment, nettoyer toute la chaise avec un savon doux et de l'eau.

PROCÉDURES D'ENTRETIEN SUGGÉRÉES

1. Avant d'utiliser votre chaise de douche avec siège d'aisance, s'assurer que tous les écrous et les boulons sont bien serrés. S'assurer que les pièces ne sont pas usées ou endommagées et, le cas échéant, les remplacer. Vérifier si les pièces sont bien réglées.
2. Régler périodiquement les freins de blocage puisque les pneus s'usent. Se référer à **RÉGLER LES FREINS DE BLOCAGE** de la SECTION 11 de ce manuel.
3. Vérifier périodiquement si les roues avant et les moyeux des roues arrière sont propres.

ATTENTION

Comme pour tout autre véhicule, vérifier périodiquement si les roues arrière, les roues avant et les pneus sont fendus ou usés, et les remplacer si nécessaire.

4. Vérifier périodiquement si les roues arrière, les roues avant et les pneus sont usés ou fendus et, le cas échéant, les faire remplacer par un technicien qualifié.

NOTE: L'usure des pneus est excessive s'il y a des coupures ou des défauts ou si les pneus sont lâches sur la jante.

NOTE: Invacare recommande que les pneus et les roues avant soient remplacés tous les cinq (5) ans.

5. Vérifier périodiquement les roulements à billes des roues avant pour s'assurer qu'ils sont propres et secs. Utiliser un lubrifiant au Téflon® si nécessaire.
6. Vérifier périodiquement les cerceaux de conduite pour s'assurer qu'ils sont bien fixés aux roues arrière. S'ils sont lâches, les faire serrer par un technicien.

NETTOYAGE

Nettoyer après chaque utilisation la chaise de douche avec siège d'aisance avec de l'eau et un savon doux.

Section 4 - Déplier/plier:**Déplier/plier la chaise de douche avec siège d'aisance****DÉPLIER/PLIER LA CHAISE DE DOUCHE AVEC SIÈGE D'AISANCE****AVERTISSEMENT**

Garder les mains et les doigts loin des pièces mobiles pour éviter les blessures.

Au moment de déplier la chaise de douche avec siège d'aisance, **NE PAS** laisser les doigts ou les mains entre les liens pivots. S'assurer d'utiliser **SEULEMENT** la paume des mains (pas les doigts) pour appuyer sur les extrémités des croisillons, sans quoi des blessures ou des dommages peuvent survenir.

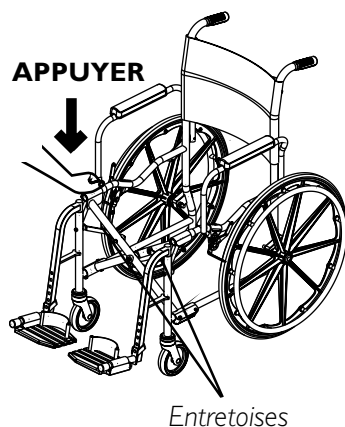
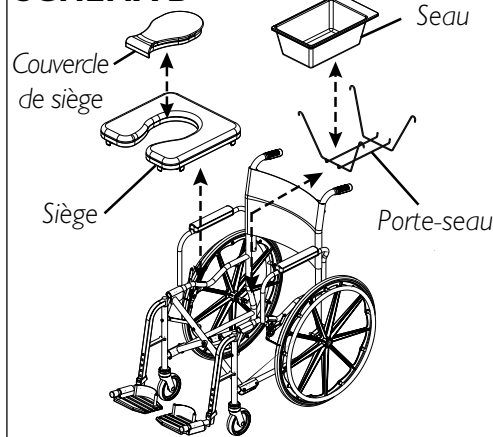
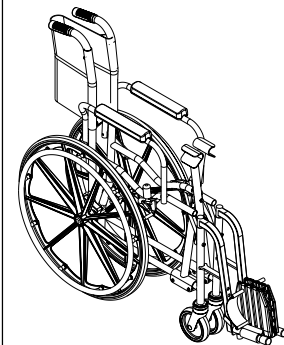
NE PAS s'asseoir ou transférer dans la chaise de douche avec siège d'aisance si elle n'est pas complètement ouverte et si les étriers des entretoises ne sont pas complètement assis sur le châssis latéral.

DÉPLIER

1. Ouvrir la chaise de douche avec siège d'aisance en appuyant sur les entretoises (SCHÉMA "A", FIGURE I).
2. Pour faciliter l'accès au châssis, relever les appuie-bras en serrant le levier de dégagement de l'appuie-bras vers le tube de l'appuie-bras et soulever.
3. Placer le seau sur le châssis en insérant les quatre (4) crochets dans les quatre (4) orifices sur le châssis en tube (SCHÉMA "B", FIGURE I).
4. Placer le siège sur le châssis et appuyer pour bloquer le siège sur le châssis (SCHÉMA "B", FIGURE I).

PLIER

1. Pour faciliter l'accès au châssis, relever les appuie-bras en serrant le levier de dégagement de l'appuie-bras vers le tube de l'appuie-bras et soulever.
2. Enlever le siège (et le couvercle du siège, s'il y a lieu) du châssis en tirant sur le siège.
3. Enlever le seau du porte-seau.
4. Enlever le porte-seau du châssis en enlevant les quatre (4) crochets des quatre (4) orifices situés sur le châssis en tube (SCHÉMA "B" de la FIGURE I).
5. Plier la chaise de douche avec siège d'aisance en soulevant les entretoises (SCHÉMA "C" de la FIGURE I).

SCHÉMA A**SCHÉMA B****SCHÉMA C****FIGURE I - DÉPLIER/PLIER LA CHAISE DE DOUCHE AVEC SIÈGE D'AISANCE**

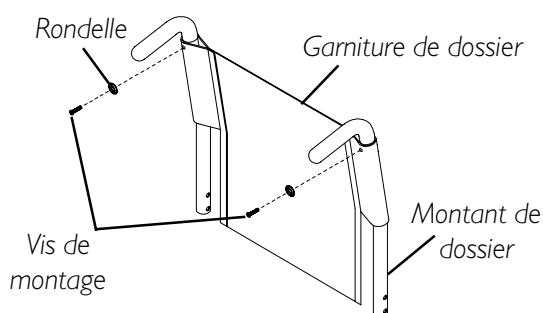
Section 5 - Siège et dossier:**Remplacer la garniture de dossier****Utiliser le couvercle du siège****Enlever/Installer le siège rembourré****Enlever/Installer la ceinture de siège****AVERTISSEMENT**

Après **TOUT** réglage, réparation ou entretien, et **AVANT** utilisation, s'assurer que toute la quincaillerie de fixation est bien serrée, sans quoi des blessures ou des dommages peuvent survenir.

Au moment d'installer le siège s'assurer d'utiliser **SEULEMENT** la paume des mains (pas les doigts) pour bloquer le siège sur le châssis, sans quoi des blessures ou des dommages peuvent survenir.

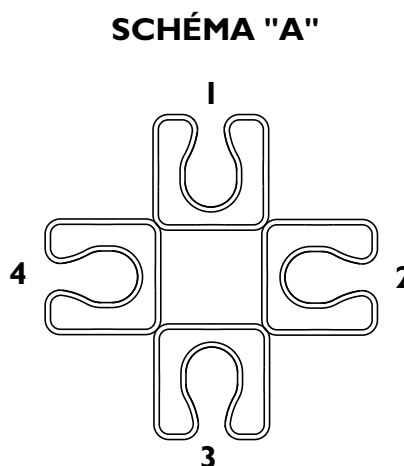
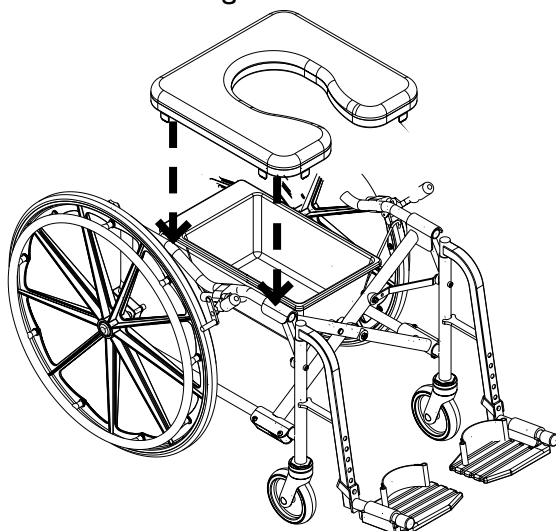
REEMPLACER LA GARNITURE DE DOSSIER (FIGURE 1)

1. Enlever les deux (2) vis de montage et les rondelles qui fixent la garniture de dossier existante aux deux (2) montants du dossier.
2. Enlever la garniture existante des deux (2) montants de dossier.
3. Installer la **NOUVELLE** garniture de dossier sur les deux (2) montants de dossier.
4. Fixer la **NOUVELLE** garniture sur les montants du dossier avec les vis de montage et les rondelles existantes.

**FIGURE 1 - REMPLACER LA GARNITURE DE DOSSIER****ENLEVER/INSTALLER LE SIÈGE REMBOURRÉ****ENLEVER (FIGURE 2)**

Le siège rembourré peut être placé dans l'une (1) des quatre (4) directions (SCHÉMA "A" de la FIGURE 2).

1. Déplacer les appuie-bras en serrant le levier de dégagement des appuie-bras et en les soulevant.
2. Enlever le siège en le tirant.

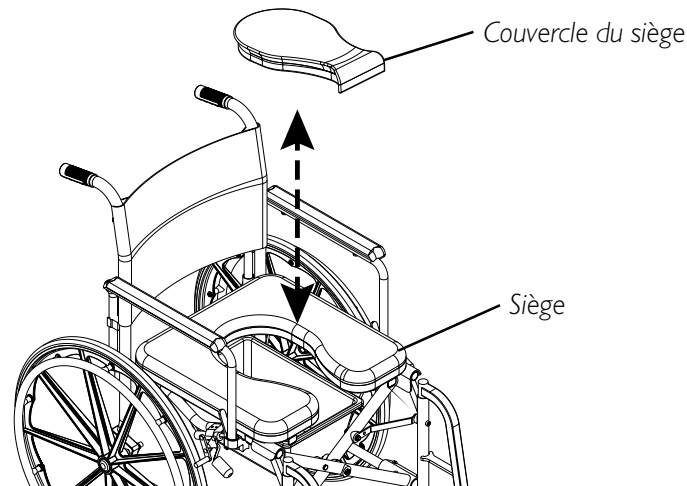
**FIGURE 2 - ENLEVER/INSTALLER LE SIÈGE REMBOURRÉ**

INSTALLER (FIGURE 2)

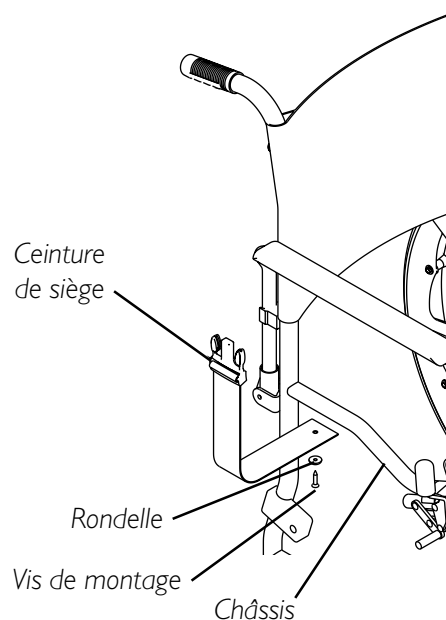
1. Enlever les appuie-bras en serrant le levier de dégagement de l'appuie-bras et en le soulevant.
2. Placer le siège dans la direction choisie (SCHÉMA "A" de la FIGURE 2).
3. Appuyer sur le siège jusqu'à ce qu'il bloque sur le châssis de la chaise de douche avec siège d'aisance.

UTILISER LE COUVERCLE DU SIÈGE (FIGURE 3)

Invacare fournit un couvercle pour l'ouverture du siège que vous pouvez utiliser pendant la douche, au besoin. Se référer à la FIGURE 3.

**FIGURE 3 - UTILISER LE COUVERCLE DU SIÈGE****ENLEVER/INSTALLER LA CEINTURE DU SIÈGE (FIGURE 4)****ENLEVER**

1. Enlever le siège. Se référer à ENLEVER/INSTALLER LE SIÈGE REMBOURRÉ dans cette section du manuel.
2. Mettre les appuie-bras dans une position hors de portée de nuire. Se référer à POSITIONNER LES APPUIE-BRAS PIVOTANTS de la SECTION 8 de ce manuel.
3. Enlever la vis de montage et la rondelle qui fixent chaque partie de la ceinture au châssis du siège.

**FIGURE 4 - ENLEVER/INSTALLER LA CEINTURE DU SIÈGE****INSTALLER**

1. Placer les deux (2) nouvelles parties de ceinture sur le châssis du fauteuil.
2. Réinstaller les deux (2) vis de montage et les écrous de blocage qui fixent les deux (2) parties de la ceinture au châssis du siège.
3. Réinstaller le siège. Se référer à ENLEVER/INSTALLER LE SIÈGE REMBOURRÉ dans cette section du manuel.

Section 6 - Seau:**Enlever/Installer le seau****Enlever/Installer le porte-seau****AVERTISSEMENT**

Enlever le seau avant d'utiliser la chaise de douche avec siège d'aisance sous la douche.

ENLEVER/INSTALLER LE SEAU (FIGURE 1)

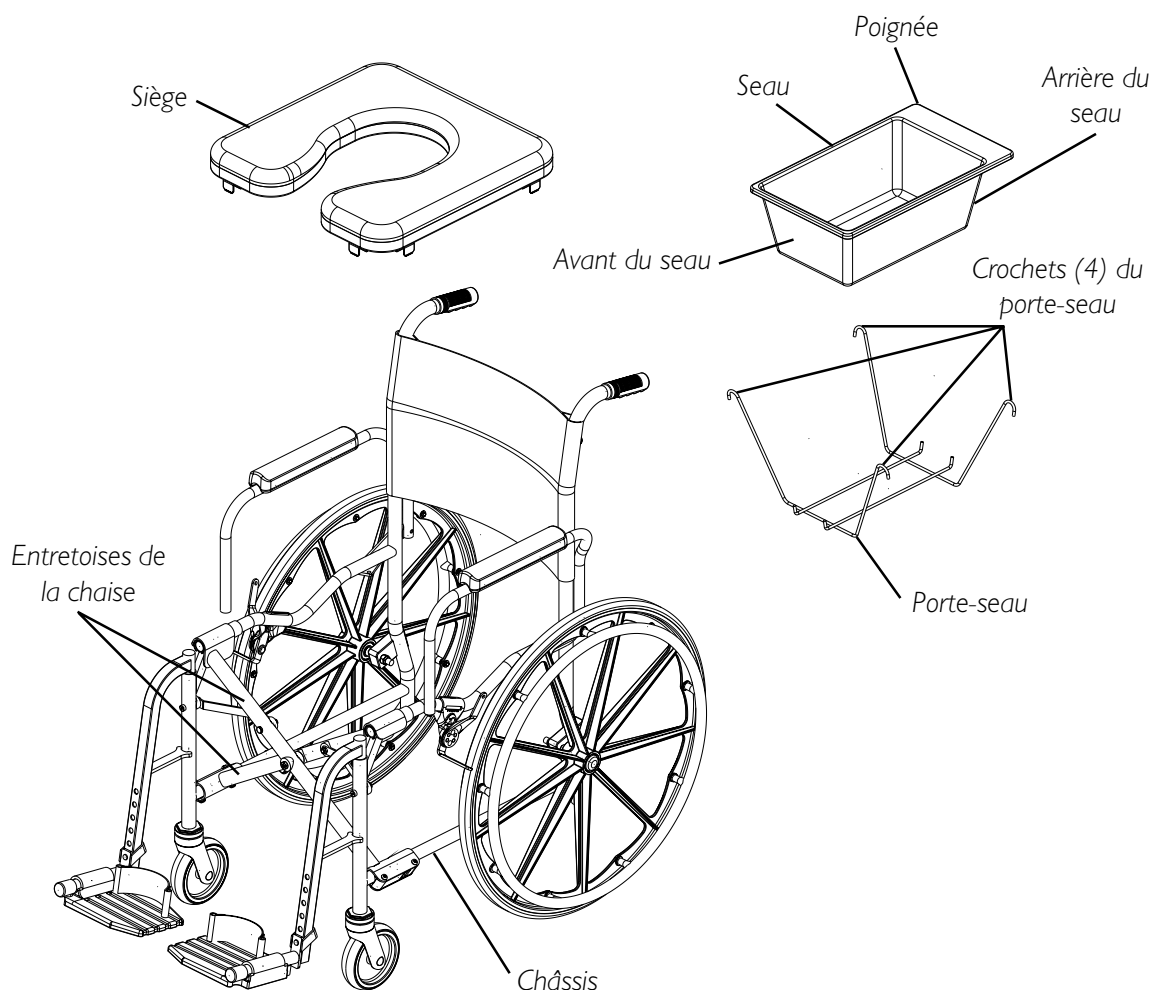
1. POUR ENLEVER: De l'arrière de la chaise de douche avec siège d'aisance, sortir le seau du porte-seau.

NOTE: S'assurer de ne pas basculer ou renverser le seau en l'enlevant.

2. POUR INSTALLER: De l'arrière de la chaise de douche avec siège d'aisance, insérer le seau, partie avant devant, dans le porte-seau.

NETTOYAGE

Nettoyer le porte-seau avec de l'eau et du savon doux.

**FIGURE 1 - ENLEVER/INSTALLER LE SEAU ET LE PORTE-SEAU**

ENLEVER/INSTALLER LE PORTE-SEAU

ENLEVER

1. Relever les appuie-bras pour faciliter l'accès au siège. Se référer à POSITIONNER LES APPUIE-BRAS PIVOTANTS de la SECTION 8 de ce manuel.
2. Enlever le siège. Se référer à ENLEVER/INSTALLER LE SIÈGE REMBOURRÉ de la SECTION 5 de ce manuel
3. Enlever le seau du porte-seau. Se référer à ENLEVER/INSTALLER LE SEAU dans cette section du manuel.
4. Enlever le porte-seau du tube du châssis en sortant les quatre (4) crochets du porte-seau des quatre (4) orifices sur les languettes du tube du châssis (FIGURE I).

INSTALLER

1. Installer le porte-seau sur le tube du châssis en insérant les quatre (4) crochets du porte-seau dans les quatre (4) orifices sur les languettes du tube du châssis (FIGURE I).
2. Installer le seau sur le porte-seau. Se référer à ENLEVER/INSTALLER LE SEAU dans cette section du manuel.
3. Replacer le siège. Se référer à ENLEVER/INSTALLER LE SIÈGE REMBOURRÉ de la SECTION 5 de ce manuel
4. Abaisser les appuie-bras en position jusqu'à ce qu'ils bloquent dans les tubes du châssis. Se référer à POSITIONNER LES APPUIE-BRAS PIVOTANTS de la SECTION 8 de ce manuel.

Section 7 - Appuie-pieds/jambes**Enlever/installer/régler les appuie-pieds pivotants****Régler la hauteur de la palette****Remplacer les talonnières****AVERTISSEMENT**

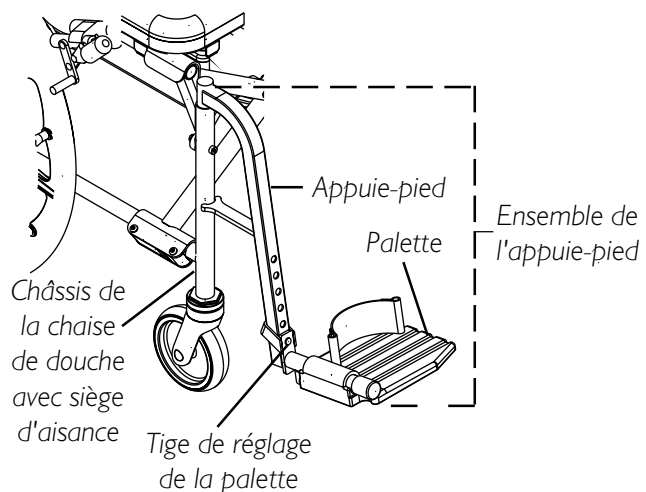
Après **TOUT** réglage, réparation ou entretien, et **AVANT** utilisation, s'assurer que toute la quincaillerie de fixation est bien serrée, sans quoi des blessures ou des dommages peuvent survenir.

ENLEVER/INSTALLER/RÉGLER LES APPUIE-PIEDS PIVOTANTS (FIGURE 1)**ENLEVER**

1. Soulever l'appuie-pied pour le désenclencher du châssis de la chaise de douche avec siège d'aisance.
2. Enlever l'appuie-pied du châssis de la chaise.

INSTALLER

1. Placer le dessus de l'appuie-pied dans le châssis de la chaise de douche avec siège d'aisance.
2. Insérer et appuyer pour bloquer en place.

**FIGURE 1 - ENLEVER/INSTALLER/RÉGLER LES APPUIE-PIEDS PIVOTANTS****RÉGLER**

1. Soulever l'ensemble de l'appuie-pied pour le désenclencher de la tige intérieure, sans toutefois l'enlever de la chaise.
2. Pivoter l'appuie-pied vers l'extérieur de la chaise de douche avec siège d'aisance.
3. Répéter la procédure pour l'autre côté.

RÉGLER LA HAUTEUR DE LA PALETTE

NOTE: Les palettes se règlent vers le haut ou vers le bas en soulevant la palette jusqu'à ce que la tige de réglage de la palette se désenclenche de l'orifice.

1. Soulever l'avant de la palette jusqu'à ce que la tige de réglage se désenclenche de l'orifice.
2. Déplacer la palette pour changer la hauteur de réglage.
3. Appuyer à l'avant de la palette jusqu'à ce que la tige de réglage s'enclenche dans l'orifice choisi.

REEMPLACER LES TALONNIÈRES (FIGURE 3)

1. Noter la position du boulon hexagonal, des rondelles bombées et de l'écrou de blocage pour la réinstallation.
2. Enlever le boulon hexagonal, les rondelles bombées et l'écrou de blocage qui fixent la partie inférieure de l'appuie-pied au support de l'appuie-pied.
3. Enlever la partie inférieure de l'appuie-pied.
4. Enlever le boulon Phillips, l'intercalaire et l'écrou de blocage qui fixent la talonnière existante de la partie inférieure de l'appuie-pied.
5. Enlever la talonnière existante.
6. Remplacer la talonnière.
7. Inverser les ÉTAPES 1-6 pour remonter.

NOTE: Au moment de fixer la talonnière sur la partie inférieure de l'appuie-pied, serrer la vis Phillips et l'écrou de blocage jusqu'à ce que l'intercalaire soit fixe.

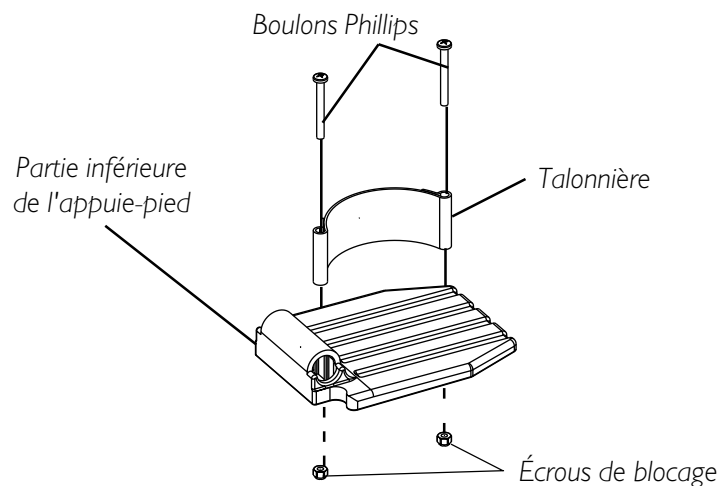


FIGURE 3 - REMPLACER LES TALONNIÈRES

Section 8 - Appuie-bras:**Enlever/installer les appuie-bras pivotants****Positionner les appuie-bras pivotants****Remplacer les coussinets d'appuie-bras****AVERTISSEMENT**

Après **TOUT** réglage, réparation ou entretien, et **AVANT** utilisation, s'assurer que toute la quincaillerie de fixation est bien serrée, sans quoi des blessures ou des dommages peuvent survenir.

ENLEVER/INSTALLER LES APPUIE-BRAS PIVOTANTS (FIGURE 1)

ENLEVER

1. Pivoter l'appuie-bras. Se référer à POSITIONNER LES APPUIE-BRAS PIVOTANTS dans cette section du manuel.
2. Enlever la vis de montage et l'écrou de blocage qui fixe l'appuie-bras pivotant au support de montage de l'appuie-bras situé sur le châssis.
3. Enlever l'appuie-bras et le pivot de l'appuie-bras.
4. Si nécessaire, répéter les ÉTAPES 1-3 pour l'autre appuie-bras.

INSTALLER

1. Installer l'appuie-bras pivotant et le pivot de l'appuie-bras dans le support de montage de l'appuie-bras avec la vis de montage et l'écrou de blocage. Bien serrer.
2. Bloquer l'appuie-bras pivotant en appuyant dessus jusqu'à ce que l'appuie-bras fasse un déclic dans l'encastrement.
3. Si nécessaire, répéter les ÉTAPES 1-2 pour l'autre appuie-bras pivotant.

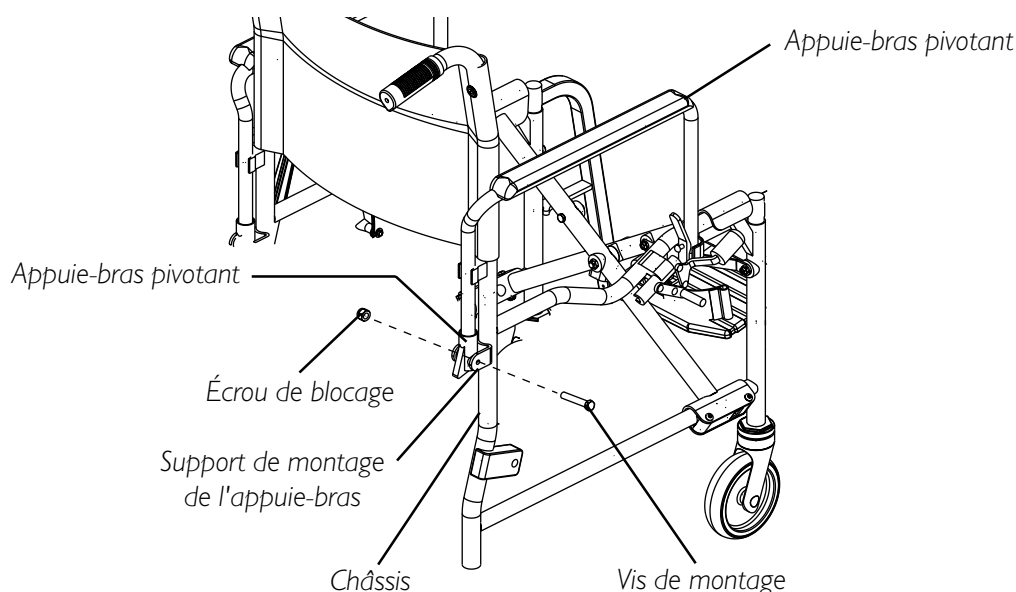
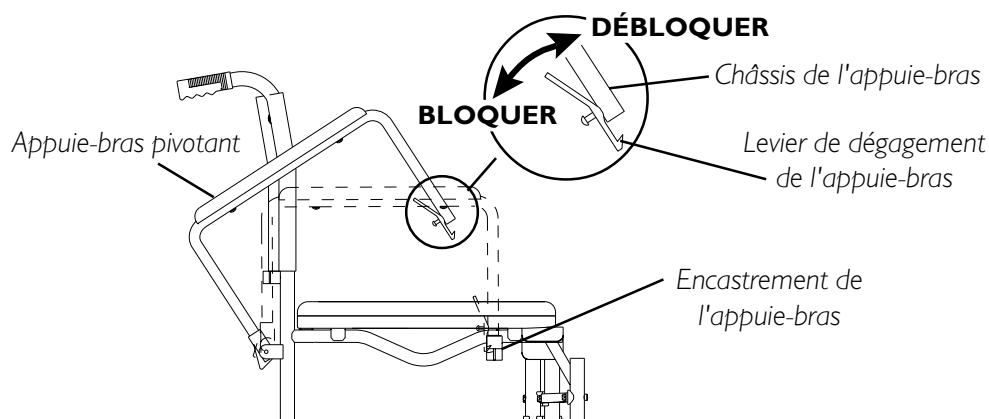


FIGURE 1 - ENLEVER/INSTALLER LES APPUIE-BRAS PIVOTANTS

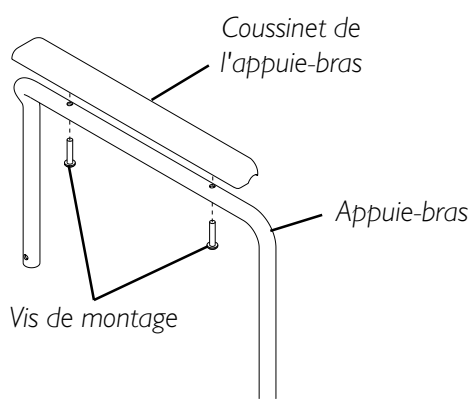
POSITIONNER LES APPUIE-BRAS PIVOTANTS (FIGURE 2)**AVERTISSEMENT**

S'assurer que le levier de dégagement de l'appuie-bras est bloqué en position avant d'utiliser la chaise de douche avec siège d'aisance.

1. Débloquer l'appuie-bras pivotant en appuyant, vers le châssis, sur le levier de dégagement.
2. Sortir la partie avant de l'appuie-bras pivotant de l'encastrement et pousser vers l'arrière de la chaise de douche avec siège d'aisance.
3. Pour bloquer l'appuie-bras pivotant, le ramener vers l'avant et appuyer jusqu'à ce qu'il fasse un déclic dans l'encastrement.

**FIGURE 2 - APPUIE-BRAS PIVOTANTS****REEMPLACER LE COUSSINET DE L'APPUIE-BRAS (FIGURE 3)**

1. Enlever les vis de montage qui fixent le coussinet de l'appuie-bras à l'appuie-bras.
2. Remplacer le coussinet de l'appuie-bras et bien serrer les vis de montage existantes.

**FIGURE 3 - REMPLACER LES COUSSINETS DE L'APPUIE-BRAS**

Section 9 - Roues avant:**Enlever/Installer les roues avant****Enlever/Installer les roues avant avec frein****AVERTISSEMENT**

Après TOUT réglage, réparation ou entretien, et AVANT utilisation, s'assurer que toute la quincaillerie de fixation est bien serrée, sans quoi des blessures ou des dommages peuvent survenir.

ENLEVER/INSTALLER LES ROUES AVANT - MODÈLES 6795 ET 6895 (FIGURE 1)

ENLEVER

1. Desserrer l'écrou de l'ensemble de la roue avant.
2. Desserrer la tige de la roue avant du châssis de la chaise.

INSTALLER

1. Visser la tige de la roue avant sur le châssis de la chaise.
2. Serrer l'écrou sur l'ensemble de la roue avant.

NOTE: Trop serrer nuira au mouvement de la roue avant.

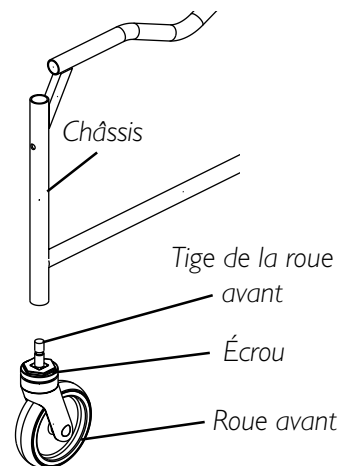


FIGURE 1 - ENLEVER/INSTALLER LES ROUES AVANT

ENLEVER/INSTALLER LES ROUES AVANT AVEC FREIN - MODÈLE 6891 (FIGURE 2)

ENLEVER

1. Desserrer l'écrou de l'ensemble de la roue avant.
2. Desserrer la tige de la roue avant du châssis de la chaise.

INSTALLER

1. Serrer la tige de la roue avant sur le châssis de la chaise
2. Serrer l'écrou sur l'ensemble de la roue avant.

NOTE: Trop serrer nuira au mouvement de la roue avant.

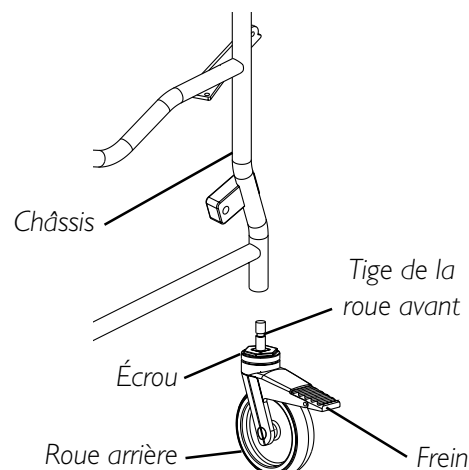


FIGURE 2 - ENLEVER/INSTALLER LES ROUES AVANT AVEC FREINS

Section 10 - Roues arrière et cerceaux de conduite:**Enlever/Installer les roues****Remplacer/Réparer les pneus/chambres à air****Remplacer les cerceaux de conduite****AVERTISSEMENT**

Après tout réglage et avant utilisation, s'assurer que toute la quincaillerie de montage est bien serrée.

ENLEVER/INSTALLER LES ROUES - MODÈLES 6795 ET 6895 (FIGURE 1)**ENLEVER**

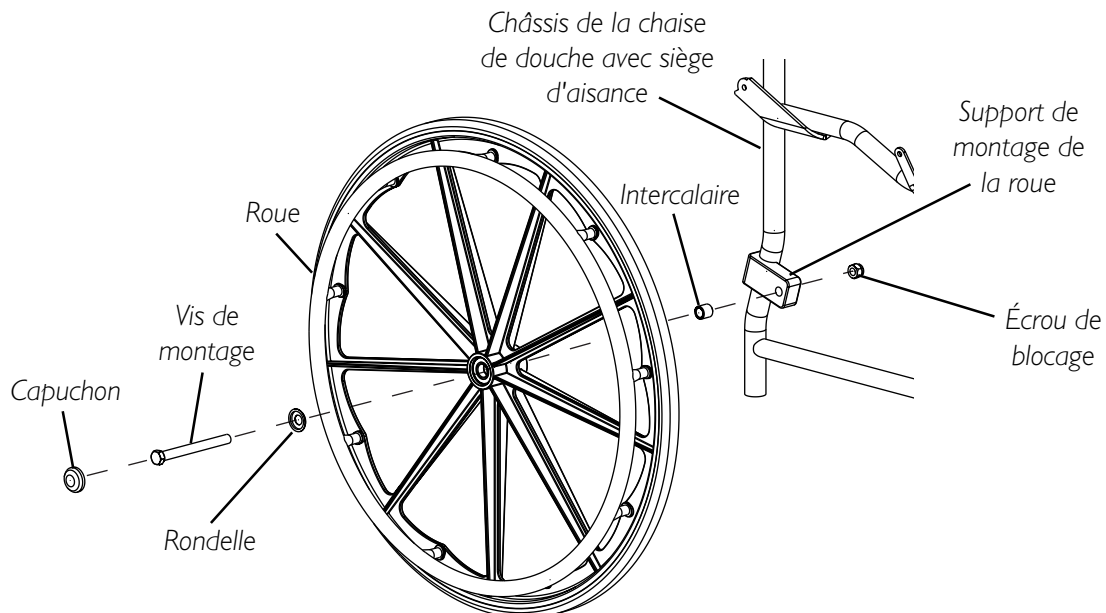
1. Enlever le capuchon.
2. Noter l'ordre de la quincaillerie qui fixe la roue au châssis.
3. Enlever la vis de montage, la rondelle, l'intercalaire et l'écrou de blocage qui fixent la roue au châssis.
4. Si nécessaire, répéter les ÉTAPES 1-3 pour l'autre roue.

INSTALLER

1. Installer la roue sur le châssis avec la vis de montage, la rondelle, l'intercalaire et l'écrou de blocage. Bien serrer.

NOTE: S'assurer que la quincaillerie est remplacée dans l'ordre noté à L'ÉTAPE 2.

2. Si nécessaire, répéter pour l'autre roue.

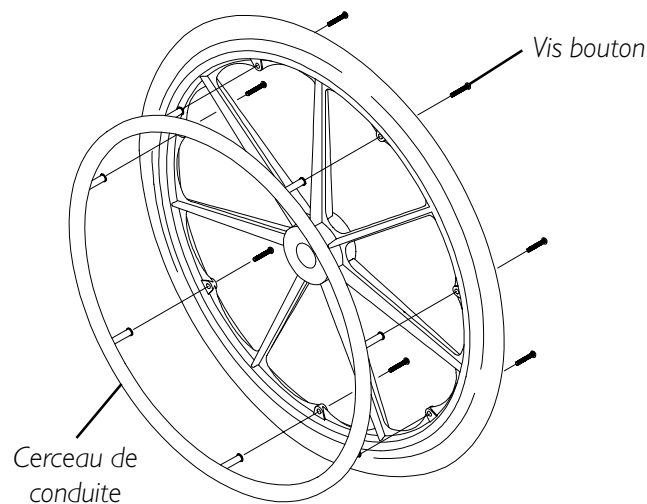
**FIGURE 1 - INSTALLER LES ROUES ARRIÈRE**

REEMPLACER/RÉPARER LE PNEU**AVERTISSEMENT**

Le remplacement du pneu **DOIT** être exécuté par un technicien qualifié.

REEMPLACER LE CERCEAU DE CONDUITE (FIGURE 2)

1. Enlever la roue. Se référer à ENLEVER/INSTALLER ROUES de cette section du manuel.
2. Enlever les vis boutons qui fixent le cerceau de conduite existant à la roue.
3. Enlever le cerceau de conduite.
4. Installer le nouveau cerceau de conduite en inversant les ÉTAPES 1 et 3.
5. Réinstaller la roue. Se référer à ENLEVER/INSTALLER LES ROUES dans cette section du manuel.
6. Si nécessaire, répéter cette procédure pour l'autre côté.

**FIGURE 2 - REMPLACER LE CERCEAU DE CONDUITE**

Section 11 - Freins de blocage:**Utiliser/régler les freins de blocage****AVERTISSEMENT**

Après **TOUT** réglage, réparation ou entretien, et **AVANT** utilisation, s'assurer que toute la quincaillerie de fixation est bien serrée, sans quoi des blessures ou des dommages peuvent survenir.

Si les freins de blocage ne retiennent pas la chaise de douche avec siège d'aisance occupée, contacter un technicien qualifié, sans quoi des dommages ou des blessures peuvent survenir.

UTILISER/RÉGLER LES FREINS DE BLOCAGE**UTILISER LES FREINS DE BLOCAGE (FIGURE 1)****AVERTISSEMENT**

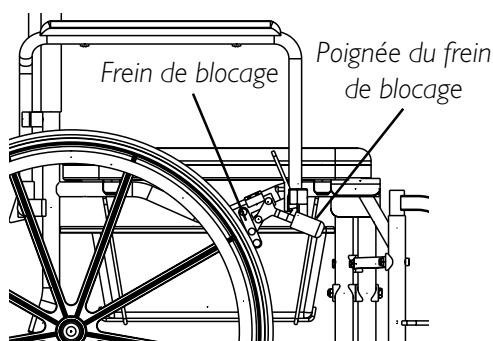
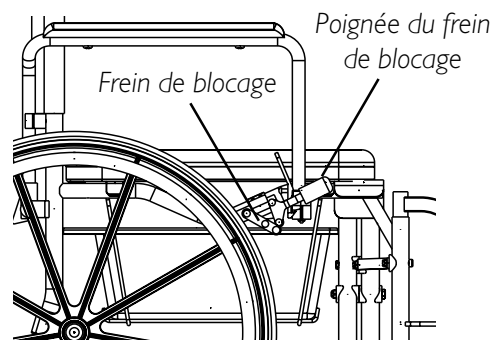
NE PAS tenter d'immobiliser une chaise de douche avec siège d'aisance avec les freins de blocage. Les **FREINS DE BLOCAGE NE SONT PAS DES FREINS**. Des blessures ou des dommages peuvent survenir.

Garder les mains et les doigts loin des pièces mobiles pour éviter les blessures.

Les freins de blocage sont standard sur **TOUTES** les chaises de douche avec siège d'aisance munies de roues arrière de 24 pouces et de roues avant de 5 pouces (modèles 6795 et 6895). Ces freins de blocage servent à empêcher les roues arrière de tourner.

NOTE: Placer la chaise de douche avec siège d'aisance sur une surface plate et de niveau pour exécuter cette procédure.

1. S'assurer que la chaise de douche avec siège d'aisance ne bouge pas avant d'enclencher les freins de blocage.
2. Pour enclencher les freins de blocage, pousser vers l'avant la poignée du frein de blocage en position LOCKED (bloqué) (SCHÉMA "A" de la FIGURE 1).
3. Désenclencher les freins de blocage en inversant L'ÉTAPE 2 (SCHÉMA "B" de la FIGURE 1).

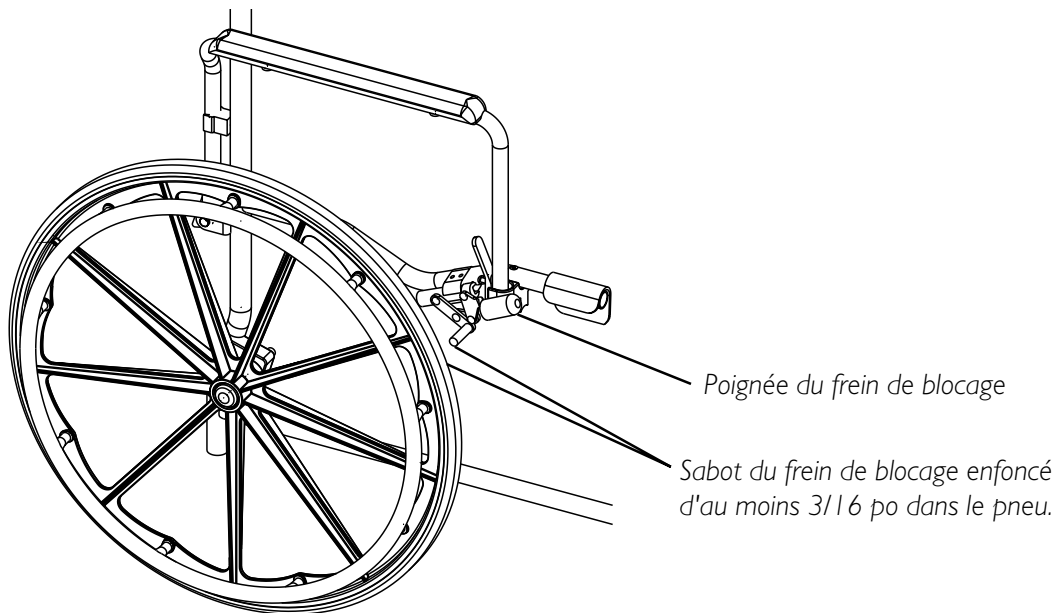
SCHÉMA "A" - ENCLENCHÉ**SCHÉMA "B" - DÉENCLENCHÉ****FIGURE 1 - UTILISER LES FREINS DE BLOCAGE**

RÉGLER LES FREINS DE BLOCAGE (FIGURE 2)

1. Desserrer les deux (2) vis à tête creuse qui fixent le frein de blocage à l'ensemble de la chaise de douche avec siège d'aisance.

NOTE: Le frein de blocage enclenché devrait pouvoir permettre d'enfoncer le sabot du frein d'au moins 3/16 dans le pneu.

2. Régler la position du frein de blocage jusqu'à ce que la mesure de 3/16 pouce soit obtenue (FIGURE 2).
3. Bien serrer les deux (2) vis à tête creuse.
4. Enclencher le frein de blocage et pousser la chaise de douche avec siège d'aisance et vérifier si les freins de blocage enfoncent les sabots de frein suffisamment pour retenir la chaise.
5. Répéter les sections précédentes jusqu'à ce que les freins de blocage retiennent la chaise de douche avec siège d'aisance.
6. Répéter la section pour l'autre frein de blocage.

**FIGURE 2 - RÉGLER LE FREIN DE BLOCAGE**

GARANTIE LIMITÉE

REMARQUE: LA GARANTIE CI-DESSOUS A ÉTÉ RÉDIGÉE EN ACCORD AVEC LA LOI FÉDÉRALE APPLICABLE SUR LES PRODUITS FABRIQUÉS APRÈS LE 4 JUILLET 1975.

Cette garantie est valable pour l'acheteur/utilisateur initial de nos produits seulement.

Cette garantie vous donne des droits légaux spécifiques. D'autres droits variant d'un État (provinces) à l'autre peuvent se rajouter.

Pour l'acheteur/utilisateur initial seulement, INVACARE garantit son produit contre tout défaut de fabrication ou défaut dans le matériel pour une période de trois (3) ans à partir de la date d'achat. Si, durant cette période, ce produit devait être reconnu défectueux, il sera réparé ou remplacé, suivant le choix d'INVACARE. Cette garantie ne s'applique pas à la main-d'oeuvre ou aux frais de livraison encourus pour le remplacement de pièces ou la réparation dudit produit. La seule et unique obligation d'INVACARE et votre seul recours selon cette garantie se limite au remplacement et/ou à la réparation du produit.

Pour le service, contactez le fournisseur ou vous avez acheté votre produit Invacare. Si vous n'êtes pas satisfait du service, écrire directement à Invacare à l'adresse inscrite à la dernière page. Fournir le nom du fournisseur, l'adresse, la date d'achat, la nature du défaut et le numéro de série si le produit en a un. Ne pas retourner les produits à l'usine avant d'avoir obtenu notre autorisation

RESTRICTIONS: LA PRÉSENTE GARANTIE NE S'APPLIQUE PAS AUX PRODUITS MAL ENTRETENUS, ACCIDENTÉS, INADÉQUATEMENT UTILISÉS, ENTRETENUS OU ENTREPOSÉS, ENVIRONNEMENTS ENFUMÉS OU AVEC DE LA SUIE, D'USAGE AUTRE QUE L'USAGE, L'ENTRETIEN OU L'APPLICATION NORMAL OU AUX PRODUITS MODIFIÉS SANS LE CONSENTEMENT ÉCRIT D'INVACARE, (INCLUANT, MAIS NE SE LIMITANT PAS À, LA MODIFICATION AVEC DES PIÈCES OU ACCESSOIRES NON AUTORISÉS), AUX PRODUITS ENDOMMAGÉS PAR DES RÉPARATIONS FAITES SANS L'APPROBATION D'INVACARE, OU AUX PRODUITS ENDOMMAGÉS DANS DES CIRCONSTANCES AU-DELÀ DU CONTRÔLE D'INVACARE.

LA PRÉSENTE GARANTIE EST EXCLUSIVE ET REMPLACE TOUTES LES AUTRES GARANTIES. LES GARANTIES IMPLICITES, S'IL Y A LIEU, INCLUANT LA GARANTIE DE COMMERCIALISATION ET D'AJUSTEMENT DANS UN BUT PARTICULIER, NE DOIVENT SE PROLONGER AU-DELÀ DE LA DURÉE DE LA PRÉSENTE GARANTIE, ET LE RECOURS POUR VIOLATION DE QUELCONQUE GARANTIE IMPLICITE DOIT SE LIMITER À LA RÉPARATION OU AU REMPLACEMENT DU PRODUIT DÉFECTUEUX CONFORMÉMENT AUX PRÉSENTS TERMES. INVACARE NE SERA PAS TENU RESPONSABLE POUR TOUT DOMMAGE-INTÉRÊT ACCESSOIRE OU INDIRECT.

CETTE GARANTIE DEVRA ÊTRE ÉLARGIE POUR RÉPONDRE AUX LOIS ET AUX RÈGLEMENTS DES ÉTATS (PROVINCES).

Invacare Corporation www.invacare.com



Yes, you can:

USA
One Invacare Way
Elyria, Ohio USA
44036-2125
800-333-6900

Canada
570 Matheson Blvd E Unit 8
Mississauga Ontario
L4Z4G4 Canada
800-668-5324

Teflon is a registered trademark of Teflon Corporation.
Invacare is a registered trademark of Invacare Corporation.
Yes, you can. is a trademark of Invacare Corporation.
© 2004 Invacare Corporation
Part No. 1118394 Rev B - 02/04

PRODUCT MADE IN CHINA

Free Manuals Download Website

<http://myh66.com>

<http://usermanuals.us>

<http://www.somanuals.com>

<http://www.4manuals.cc>

<http://www.manual-lib.com>

<http://www.404manual.com>

<http://www.luxmanual.com>

<http://aubethermostatmanual.com>

Golf course search by state

<http://golfingnear.com>

Email search by domain

<http://emailbydomain.com>

Auto manuals search

<http://auto.somanuals.com>

TV manuals search

<http://tv.somanuals.com>