

Bed Rails



Yes, you can.™

Parts Catalog Usage Guide

The information contained in this document is subject to change without notice. This catalog contains service parts for Form No. 92-48. If you have any questions regarding this catalog, please contact one of our Customer Service Representatives.

For Customer Service Support Call:

1-800-333-6900

For Faxed In Orders Call:

1-800-678-4682 or

1-440-366-0709

For Technical Service Call:

1-800-832-4707

Literature Can Be Found at:

www.invacare.com or

1-800-828-6272

SYMBOL DEFINITION

Throughout this catalog you will notice letters to draw your attention to specific footnotes which are located at the bottom of the page or below specified charts.

Examples:

A,B,C etc. = Special Comments

NOTE: = General information pertaining to that specific page

NLA = No Longer Available

HARDWARE MEASUREMENTS

The measurements for the hardware will be listed as follows:

Screws, Bolts Diameter X Thread Count/Pitch X Length

Washers Inside Diameter X Outside Diameter X Thickness

Spacers Inside Diameter X Outside Diameter X Length

For your convenience, we have supplied an area for you to list your Invacare Representatives.

Name	Phone Numbers

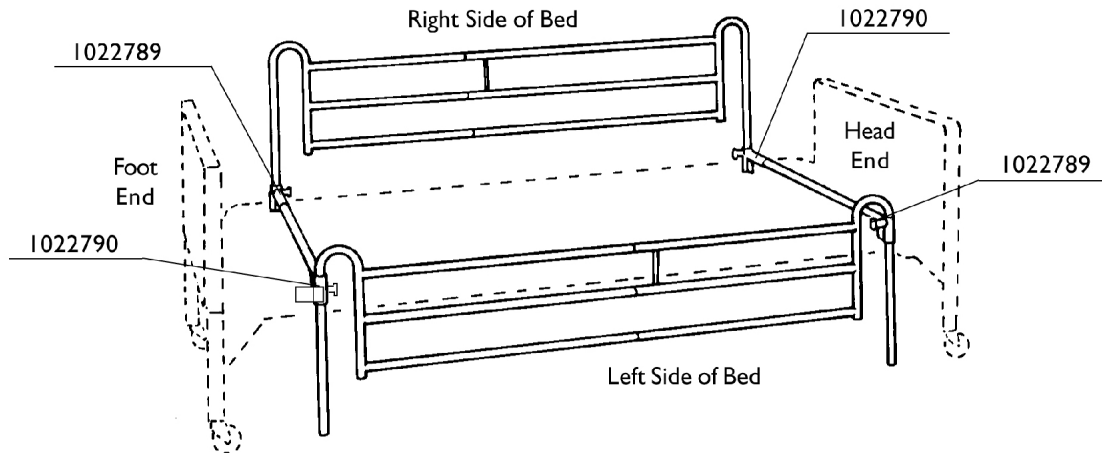
©2007 Invacare Corporation, Elyria, Ohio. Invacare, the Medallion Design and Yes, you can. are registered trademarks and CareGuard is a Trademark of the Invacare Corporation.

TABLE of CONTENTS

Description	Page Number
Bariatric Bed Rails - BAR6640IVC	27
Bed Rail Explanation Chart	4
Crossbrace Assembly - 6626Y2	11
Deluxe Quick Clip-On Bed Rail - 6658	30
Deluxe Spring Loaded Bed Rails - 6628 & 6628-TSS	16
Deluxe Telescoping Bed Rail and Crossbrace Assembly - 6625/6625L	12
Economy Bed Rail - 6640	26
Economy Telescoping Bed Rail - 6650	28
Half Length Assist Rail - 6632	24
Half Length Bed Rails - 6630	20
Packaging and Literature & Decals	6
Parts Catalog Usage Guide	3
Standard Quick Clip-On Bed Rails - 6627	14
Standard Spring Loaded Bed Rails - 6629	18
Standard Telescope Bed Rails - 6623	9
Telescoping Home Bed Rail - 6631	22

Parts Catalog Usage Guide

See illustration to determine right side from left side when choosing parts for rails or crossbrace assemblies.



NOTE: To determine which crossbrace assembly, channel with barrel, or barrel only, to order, we have listed them as (1022789) Left Head End / Right Foot End or (1022790) Right Head End / Left Foot End. When the barrels are used on the opposite side of the bed, the parts are reversed.

Bed Rail Explanation Chart

Standard Telescoping

Model Number	Tubing Size	Assembly or Channel Style	Length	Bed Type
6623 NLA (Discontinued 1/03)	7/8"	Clamp with Wing Nut	47-74"	Homecare Extended Care
6627 NLA (Discontinued 2/96)	7/8"	Quick Clip-On	47-74"	Homecare Extended Care
6629	7/8"	Self-Adjusting Spring-Loaded	55"	Homecare Extended Care

Deluxe Telescoping

Model Number	Tubing Size	Assembly or Channel Style	Length	Bed Type
6625 NLA (Discontinued 2/03)	1"	Clamp with Wing Nut	47-74"	Homecare Extended Care
6628	1"	Self-Adjusting Spring-Loaded	56"	Homecare Extended Care
6628TSS	1"	Self-Adjusting Spring-Loaded	56"	Homecare Extended Care with TSS Mattress
6631	7/8"	Round Tube Fits Between Mattress and Box Spring	37.5-56.5"	Conventional Home Single and Double Beds (36"-69" Wide)
6658 NLA (Discontinued 10/95)	1"	Quick Clip-On	47-74"	Homecare Extended Care

Half Rail

Model Number	Tubing Size	Assembly or Channel Style	Length	Bed Type
6630	1"	Dual Flat Channel with Wing Nut Clamp Assembly	32"	Homecare Extended Care 2 sets per bed Recommended

Bed Rail Explanation Chart

Economy Half Rail

Model Number	Tubing Size	Assembly or Channel Style	Length	Bed Type
6640	1"	Single Flat Crossbrace with Bolt-on Clamp Assembly	28.75"	Homecare Extended Care 2 sets per bed Recommended or Bariatric

Crossbraces Only

Model Number	Tubing Size	Assembly or Channel Style	Length	Bed Type
6625L NLA (Discontinued 9/94)	1"	Clamp with Wing Nut	47-74"	Homecare Extended Care
6626Y2 NLA (Discontinued 10/00)	1"	Round Tube Fits	39-69"	Conventional Home Single and Dbl Beds 36 -69" Wide

Economy Telescoping

Model Number	Tubing Size	Assembly or Channel Style	Length	Bed Type
6650	7/8"	Self-Adjusting Spring-Loaded	55"	Homecare/ Extended Care

Packaging, Literature & Decals

Standard Telescoping

Model Number	Carton	Insert	Literature
6623 NLA	40131X030	1007909	1013307-NLA
		See Note(s) B 1016042	
6627 NLA	40131X030	1007909	1023492-NLA
		See Note(s) B 1016042	
6629	40131X030	1007909	1049390
		See Note(s) B 1016042	
NOTE: A - Quantity - 1 each. B - Quantity - 2 each Note: When adjusting or replacing parts, please refer to your Owner's Manual for assistance.			

Deluxe Telescoping

Model Number	Carton	Insert	Literature
6625 NLA	40131X030	1007909	1016404
		See Note(s) B 1016042	
6628	40131X030 See Note(s) E	1007909	00077X079
		See Note(s) B 1016042	
6628-TSS	40131X030 See Note(s) E	1007909	00077X079
		See Note(s) B 1016042	
6631	40131X030 See Note(s) C	1007909	1023603
		See Note(s) B 1016042	
6658 NLA	40131X030	1007909	1022905-NLA
		See Note(s) B 1016042	
NOTE: A - Quantity - 1 each. B - Quantity - 2 each C - Before 10/17/03. E - Before 1/31/04. Note: When adjusting or replacing parts, please refer to your Owner's Manual for assistance.			

Packaging, Literature & Decals

Half Rail

Model Number	Carton	Insert	Literature
6630	40131X102-NLA	1007969 See Note(s) A	1016386

NOTE: A - Quantity - 1 each.

Note: When adjusting or replacing parts, please refer to your Owner's Manual for assistance.

Economy Half Rail

CareGuard by Invacare

Model Number	Carton	Insert	Literature
6640 See Note(s) A	N/A	N/A	1082514-NLA
6640	N/A	N/A	1125060

NOTE: A - Instruction Sheet no longer available, refer to part #1125060 for replacement.

Note: When adjusting or replacing parts, please refer to your Owner's Manual for assistance.

Crossbraces Only

Model Number	Carton	Insert	Literature
6625L NLA	40131X030	1007909 See Note(s) B	1016404
		1016042 See Note(s) A	
6626Y2 NLA	40131X159	1016042 See Note(s) A	N/A

NOTE: A - Quantity - 1 each.

B - Quantity - 2 each

Note: When adjusting or replacing parts, please refer to your Owner's Manual for assistance.

Packaging, Literature & Decals

Economy Telescoping

CareGuard by Invacare

Model Number	Carton	Insert	Literature
6650	N/A See Note(s) A	N/A See Note(s) A	1080892 See Note(s) A
		1007909 See Note(s) B	00077X079 See Note(s) B
		1016042 See Note(s) B	

NOTE: A - Before 12/15/03.
B - After 12/14/03.

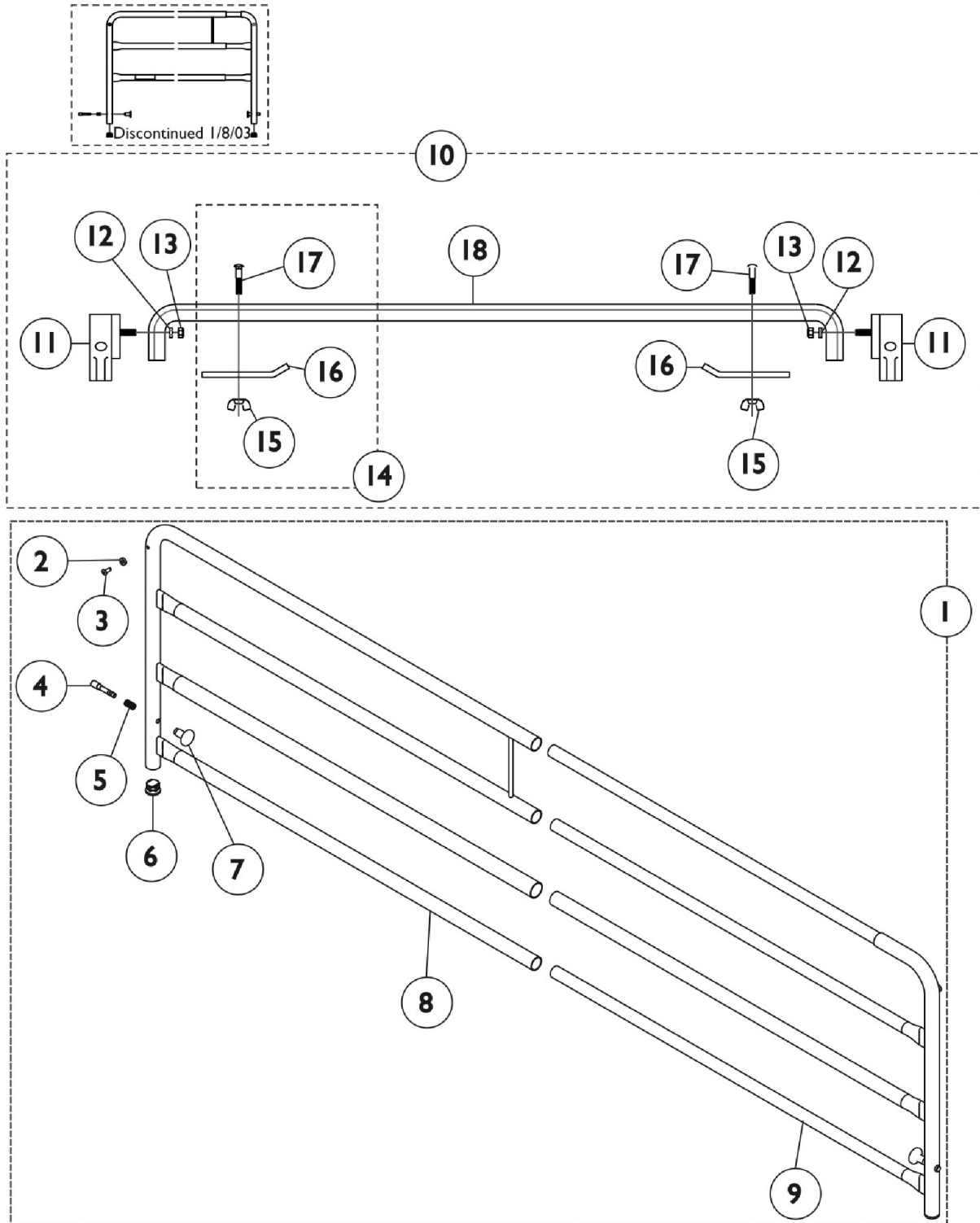
Note: When adjusting or replacing parts, please refer to your Owner's Manual for assistance.

Decals

Part Number	Description
1130183	Label, Entrapment Warning

Standard Telescope Bed Rails 6623

This Model was discontinued 1/8/03



Standard Telescope Bed Rails 6623

This Model was discontinued 1/8/03

Item Number	Note	Part Number	Description	Quantity Per	
				Package	Assembly
1	A	1135777	Kit, Telescoping Bed Rail	1	2
2		16347X000	Washer, Nylon (3/16 x 7/16 x 1/8")	1	2
3		16348X000	Rivet (3/16 x 7/16")	1	2
4		1012660	Pin, Plunger	1	2
5		19000X023	Spring, Plunger (23/64 x 5/8")	1	2
6		1027096	Plug Button, Grey (7/8")	1	2
7		1012656	Knob, Plunger	1	2
8		1121925	Rail, Telescoping - Outside	1	1
9		1121926	Rail, Telescoping - Inside	1	1
		1130183	Label, Entrapment Warning	1	1
		1122149	Warning Label - Reduced Gap	1	1
10	B	1021834	Kit, Crossbrace Assembly	1	2
11		1012732	Barrel, Right	1	1
11		1012733	Barrel, Left	1	1
12		16308X000	Washer, Flat (5/16 x 11/16 x 1/16")	1	2
13		60290X002	Locknut (5/16-18)	1	2
15		20148X002	Wing Nut (1/4-20)	1	2
16		1007726	Clamp Bar	1	2
17		1007723	Bolt, Carriage (1/4-20 x 1-1/4")	1	2
18		1007727	Channel Only (Granite)	1	1
14	C	1028789	Kit, Frame Bar	1	1
15		20148X002	Wing Nut (1/4-20)	1	2
16		1007726	Clamp Bar	1	2
17		1007723	Bolt, Carriage (1/4-20 x 1-1/4")	1	2
	D,E	1012658	Spacer, Tube	1	2

NOTE: A - Includes: Items 2-9 and the Warning Labels
 B - Includes: Items 11-18
 C - Includes: Items 15-17
 D - Before 8/11/97 only.
 E - Not Shown

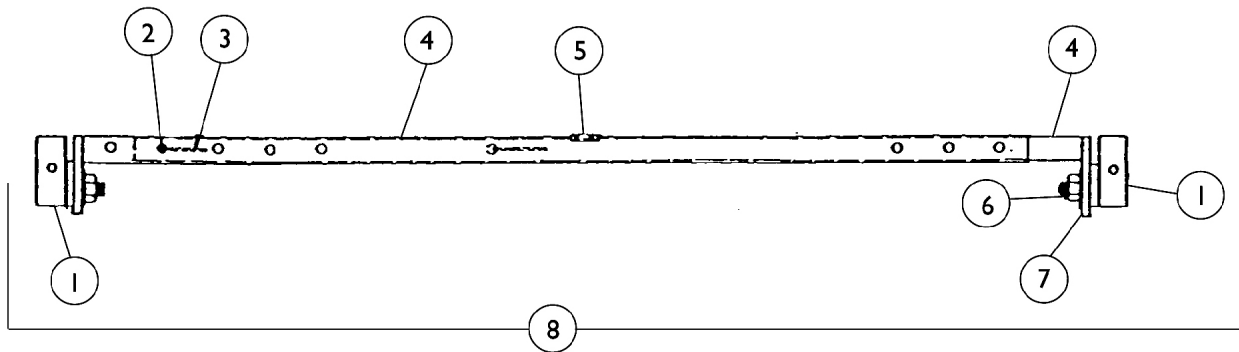
2/1/04 the rails will have 4 rungs instead of 3 so an inner and an outer Rail needs to be ordered when replacing.

Crossbrace Assembly 6626Y2

This model was discontinued 10/4/00

Model 6626Y2 (Discontinued)
(36" - 69" Wide)

Model 6626Y2 Crossbrace can be used to convert models 6625, 6628, or 6658 to a Home Bed Rail.



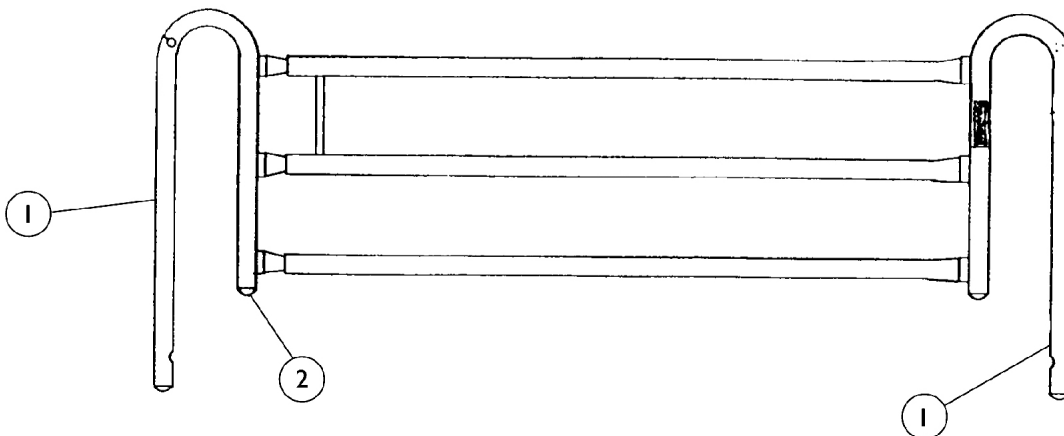
Item Number	Note	Part Number	Description	Quantity Per	
				Package	Assembly
1		16356X000	Barrel Assembly, Right Head End / Left Foot End (Includes: Plunger Knob and Pin)	1	2
1		16326X000	Barrel Assembly, Left Head End / Right Foot End (Includes: Plunger Knob and Pin)	1	2
2		48806X011	Snap Button	1	4
3		40188X005	Spring	1	4
4	A	06626X003-NLA	Channel Tube Only - Outside	1	2
4	A	06626X004-NLA	Channel Tube Only - Inside	1	2
5		1011239-NLA	Caution Label	1	2
6		60290X002	Locknut (5/16-18)	1	4
7		16308X000	Washer, Flat (5/16 x 11/16 x 1/16")	1	4
8	B	06626X002-NLA	Crossbrace Assembly	1	2

NOTE: A - Channel Tube is No Longer Available. Order Item number 8.
B - Includes Items 1-7.

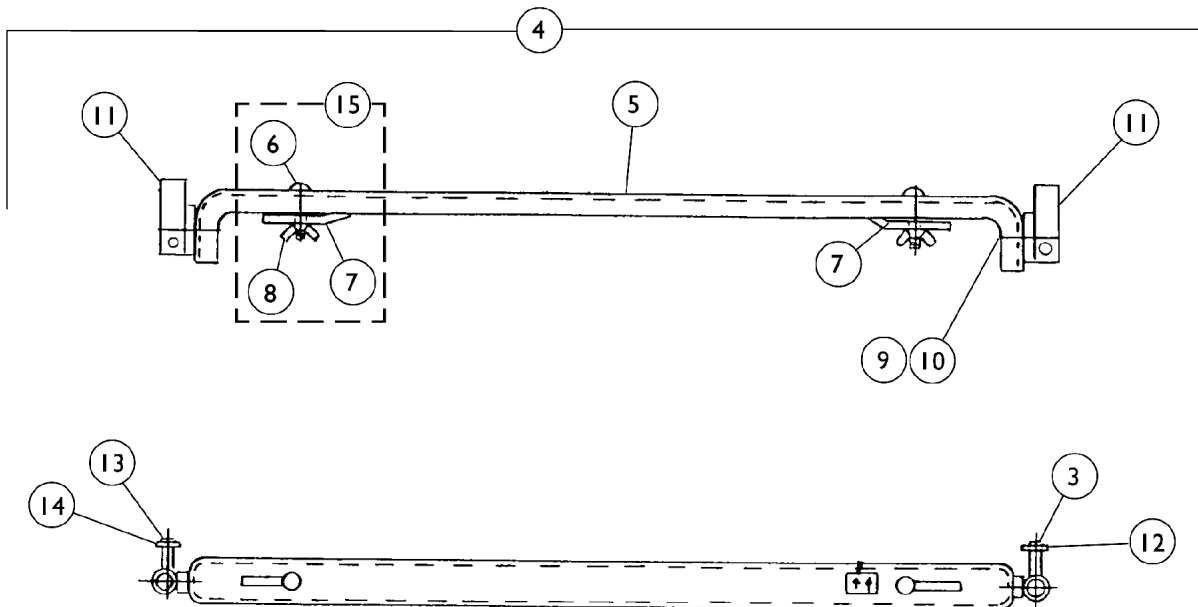
Deluxe Telescoping Bed Rail and Crossbrace Assembly 6625/6625L

6625 was discontinued 2/4/03.
6625L was discontinued 9/21/94.

Model 6625



Model 6625L (Discontinued) (Fits Wider Twin Beds-Deck Width 33-1/4" - 36-1/2")



Deluxe Telescoping Bed Rail and Crossbrace Assembly 6625/6625L

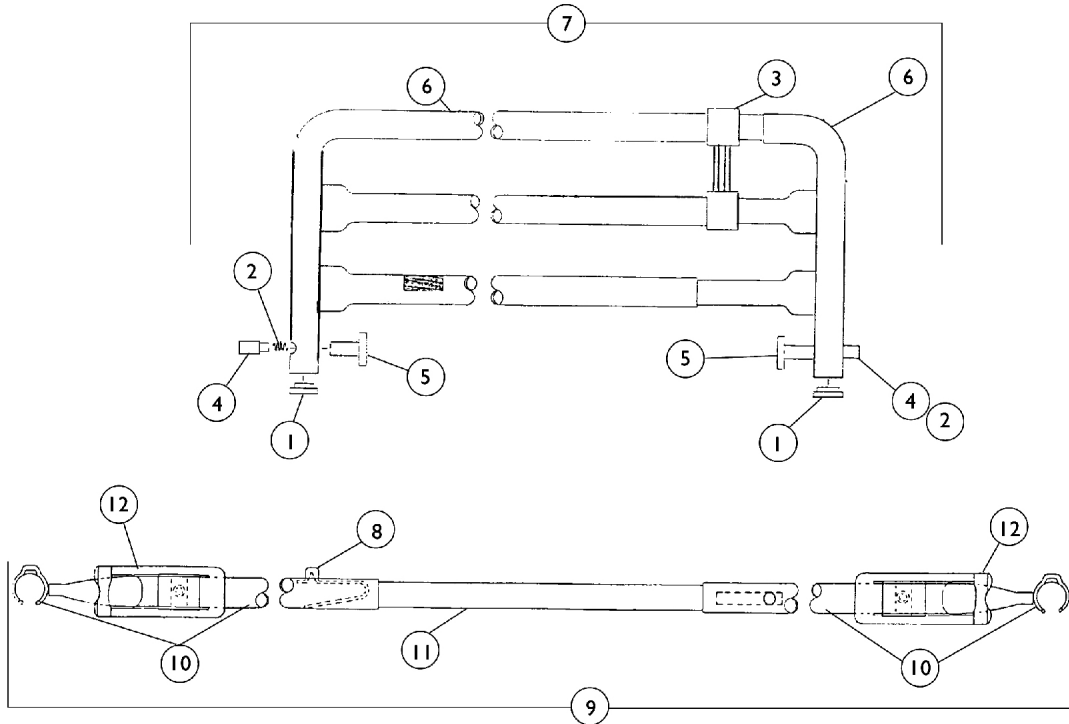
**6625 was discontinued 2/4/03.
6625L was discontinued 9/21/94.**

Item Number	Note	Part Number	Description	Quantity Per	
				Package	Assembly
1		16320X006-NLA	Rail, Outside	1	2
1		16320X007-NLA	Rail, Inside	1	2
2		1057287	Plug Button, Grey (1")	1	8
3		40314X001	Ring, Retaining	1	4
4	A,D	16330X000	Crossbrace Assembly (One Crossbrace side)	1	2
4	E	1010422-NLA	Crossbrace Assembly	1	2
5	D	1007727	Channel Only (Granite)	1	2
5	E	1007729-NLA	Channel Only	1	2
9		60290X002	Locknut (5/16-18)	1	4
10	D	16308X000	Washer, Flat (5/16 x 11/16 x 1/16")	1	4
10	E	16347X000	Washer, Nylon (3/16 x 7/16 x 1/8")	1	4
11	B	16326X000	Barrel Assembly, Left Head End / Right Foot End (Includes: Plunger Knob and Pin)	1	2
11	B	16356X000	Barrel Assembly, Right Head End / Left Foot End (Includes: Plunger Knob and Pin)	1	2
12		19000X023	Spring, Plunger (23/64 x 5/8")	1	4
13		19000X012	Pin, Plunger	1	4
14		40014X020	Knob, Plunger	1	4
15	C	1028789	Kit, Frame Bar	1	1
6		1007723	Bolt, Carriage (1/4-20 x 1-1/4")	1	2
7		1007726	Clamp Bar	1	2
8		20148X002	Wing Nut (1/4-20)	1	2
NOTE: A - Includes Items 5-11 B - Includes Items 3, 12-14 C - Includes Items 6-8 D - Used on 6625 E - Used on 6625L					

Standard Quick Clip-On Bed Rails 6627

This item was discontinued 2/16/96

Model 6627 (Discontinued)



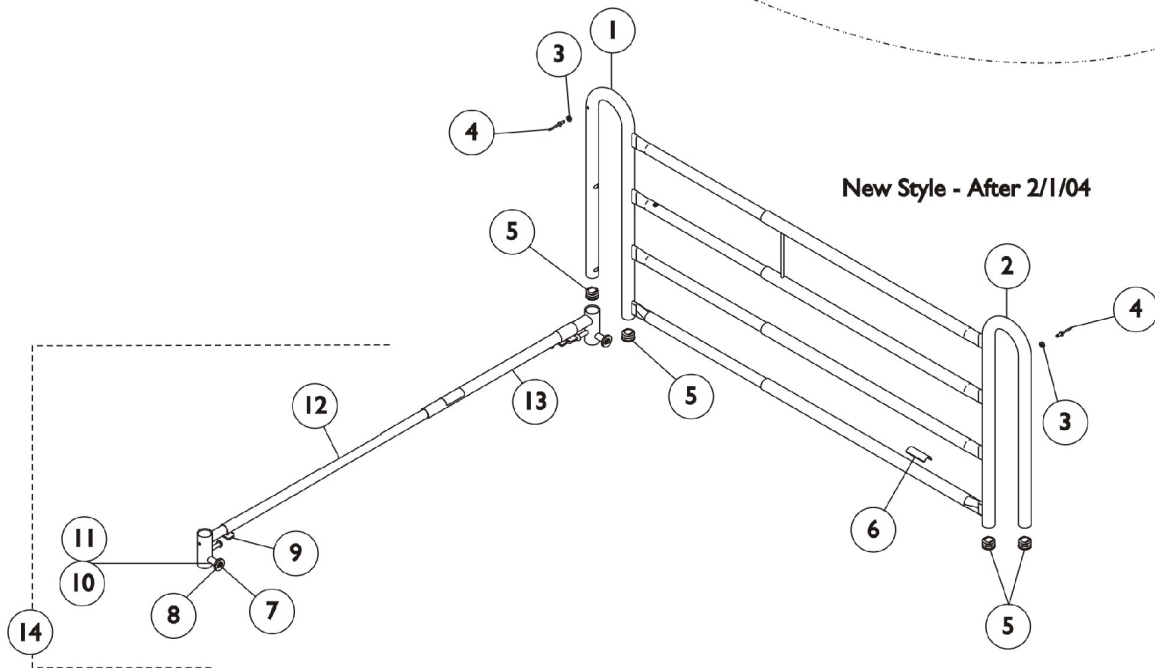
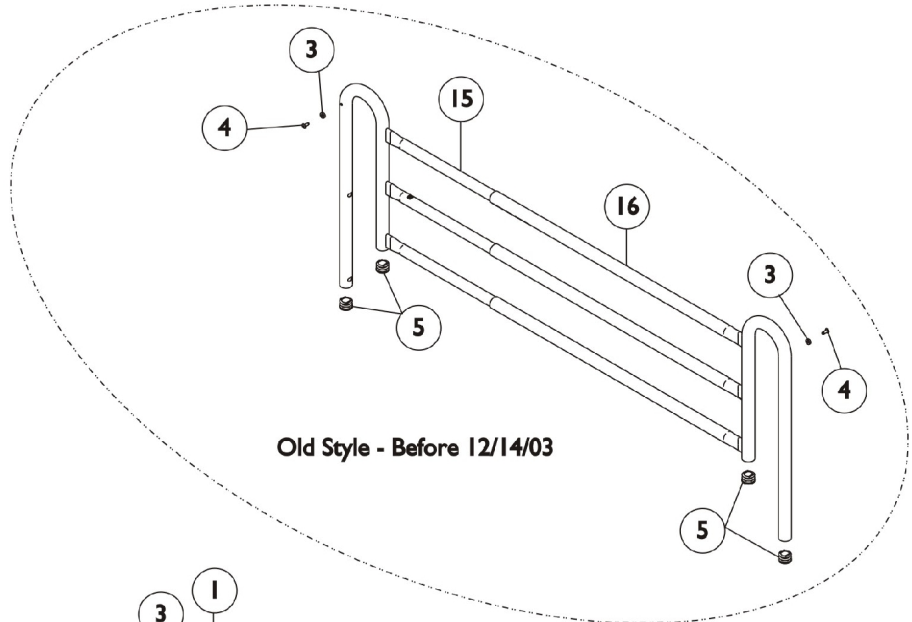
Standard Quick Clip-On Bed Rails 6627

This item was discontinued 2/16/96

Item Number	Note	Part Number	Description	Quantity Per	
				Package	Assembly
1		1027096	Plug Button, Grey (7/8")	1	4
2		19000X023	Spring, Plunger (23/64 x 5/8")	1	4
3		1012658	Spacer, Tube	1	2
4		1012660	Pin, Plunger	1	4
5		1012656	Knob, Plunger	1	4
6		1012669	Rail, Telescoping - Outside	1	2
6		1012670	Rail, Telescoping - Inside	1	2
7	A	1013305-NLA	Telescoping Rail Assembly	1	2
8		40188X009	Button, Single Snap	1	4
9	B	1023490-NLA	Crossbrace Assembly	1	2
10		1022789	Channel Tube with Barrel, Left Head End / Right Foot End	1	2
10		1022790	Channel Tube with Barrel, Left Foot End / Right Head End	1	2
11		1022842-NLA	Channel Tube, Center	1	2
12		1022652-NLA	Spring Clip	1	2

NOTE: A - Includes items 1-6
B - Crossbrace Assembly is no longer available. May be replaced with crossbrace from model 6629.

Deluxe Spring Loaded Bed Rails 6628 & 6628-TSS

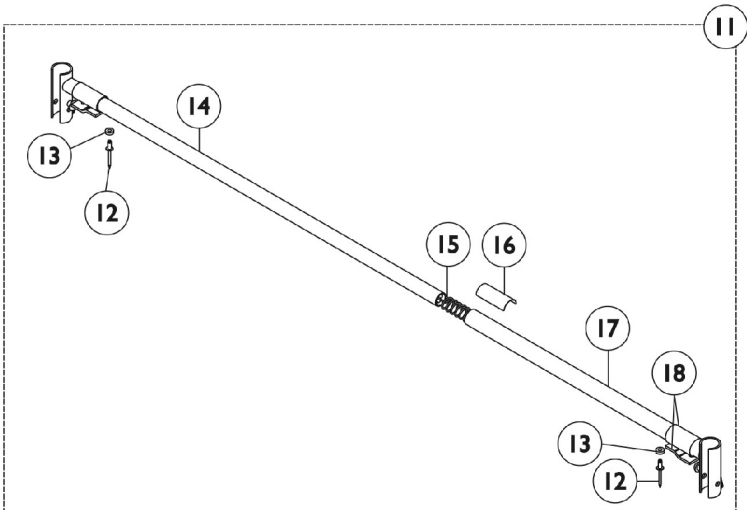
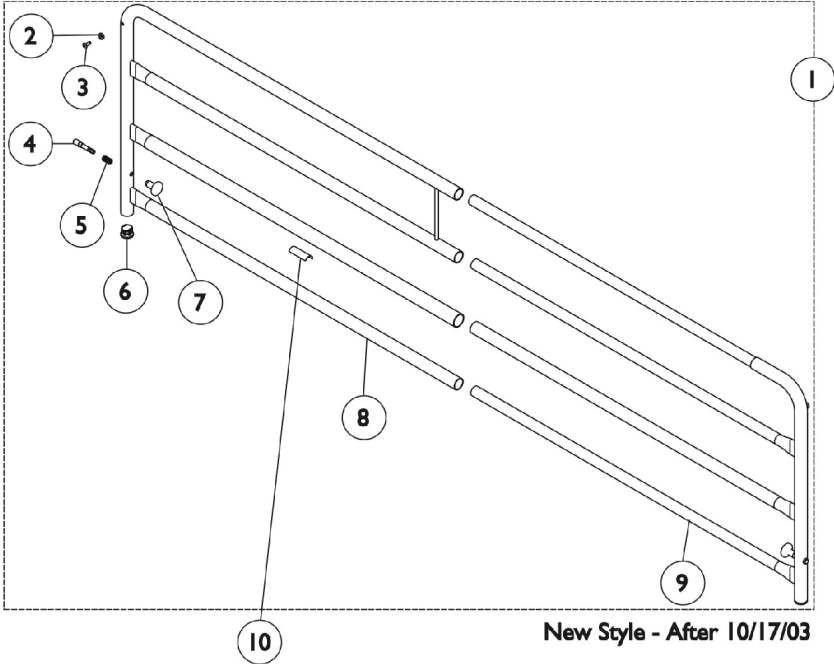
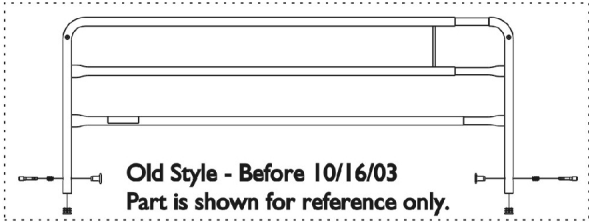


Deluxe Spring Loaded Bed Rails 6628 & 6628-TSS

Item Number	Note	Part Number	Description	Quantity Per	
				Package	Assembly
1	F	1121932	Rail, Inside	1	1
2	F	1121933	Rail, Outside	1	1
3		16347X000	Washer, Nylon (3/16 x 7/16 x 1/8")	1	2
4		16348X000	Rivet (3/16 x 7/16")	1	2
5		1057287	Plug Button, Grey (1")	1	8
6		1122149	Warning Label - Reduced Gap	1	1
7		40314X001	Ring, Retaining	1	4
8		40014X020	Knob, Plunger	1	4
9		1110764	Rail Clip - Small	1	2
9		1110765	Rail Clip - Large	1	2
10		19000X023	Spring, Plunger (23/64 x 5/8")	1	4
11		19000X012	Pin, Plunger	1	4
12		1106232	Channel Tube with Barrel, Inside	1	1
12		1110951-NLA	Channel Tube with Barrel, Inner Deluxe	1	1
13		1106234	Channel Tube with Barrel, Outside	1	1
13		1110954-NLA	Channel Tube with Barrel, Outer Deluxe	1	1
14	A,D	1106235-NLA	Crossbrace Assembly	1	2
14	A,C	1110955-NLA	Crossbrace Assembly - Deluxe (Wide)	1	2
15		16320X007-NLA	Rail, Inside	1	1
16		16320X006-NLA	Rail, Outside	1	1
	B,E	1110957	Bed Rail Hardware Kit	1	1

NOTE: A - Includes Items 3-12 and the Bed Rail Hardware Kit.
 B - Not Shown
 C - To be used with a TSS Mattress Only. Crossbraces are extra wide to accommodate the mattress.
 D - Both old style and new style models use this crossbrace.
 E - Includes the Wing Screws (4) to hold the X-Brace in place on the Bed Frame.
 F - 2/1/04 the rails will have 4 rungs instead of 3 so an inner and an outer Rail needs to be ordered when replacing.

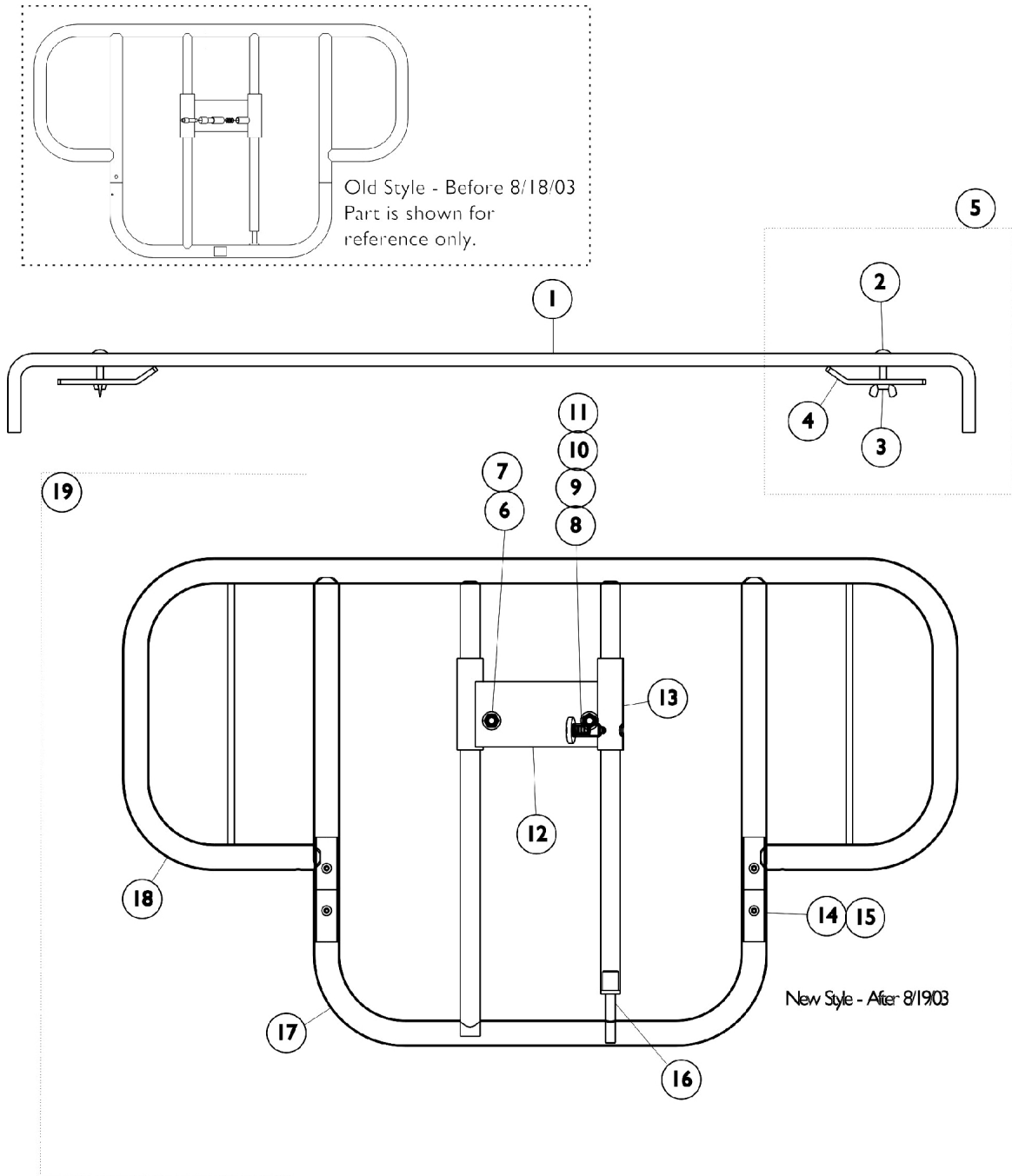
Standard Spring Loaded Bed Rails 6629



Standard Spring Loaded Bed Rails 6629

Item Number	Note	Part Number	Description	Quantity Per	
				Package	Assembly
1	A,C	1135777	Kit, Telescoping Bed Rail	1	2
2		16347X000	Washer, Nylon (3/16 x 7/16 x 1/8")	1	2
3		16348X000	Rivet (3/16 x 7/16")	1	2
4		1012660	Pin, Plunger	1	2
5		19000X023	Spring, Plunger (23/64 x 5/8")	1	2
6		1027096	Plug Button, Grey (7/8")	1	2
7		1012656	Knob, Plunger	1	2
8		1121925	Rail, Telescoping - Outside	1	1
9		1121926	Rail, Telescoping - Inside	1	1
		1130183	Label, Entrapment Warning	1	1
		1122149	Warning Label - Reduced Gap	1	1
10		1122149	Warning Label - Reduced Gap	1	1
11	B	1108836	Crossbrace Assembly	1	2
12		16348X000	Rivet (3/16 x 7/16")	1	4
13		16347X000	Washer, Nylon (3/16 x 7/16 x 1/8")	1	4
14		1108832	Channel Tube with Barrel, Inside	1	2
15		1047101-NLA	Spring, Compression with Hook End	1	2
16		1011239-NLA	Caution Label	1	2
17		1108835	Channel Tube with Barrel, Outside	1	2
18		1047096-NLA	Clip, Crossbrace	1	4
NOTE: A - Includes: Items 2-9 and the Warning Labels B - Includes: Items 12-18 C - As of 10/17/03 the rails have 4 rungs instead of 3 so an inner and an outer Rail needs to be ordered when replacing.					

Half Length Bed Rails 6630

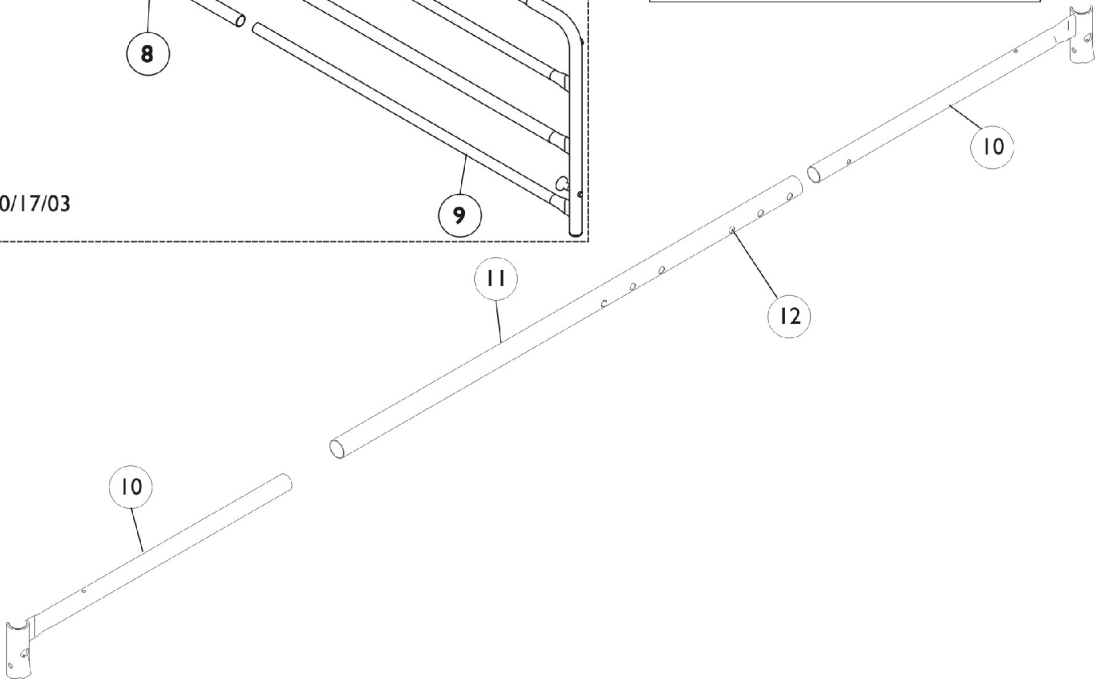
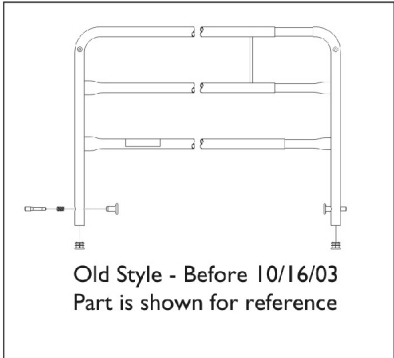
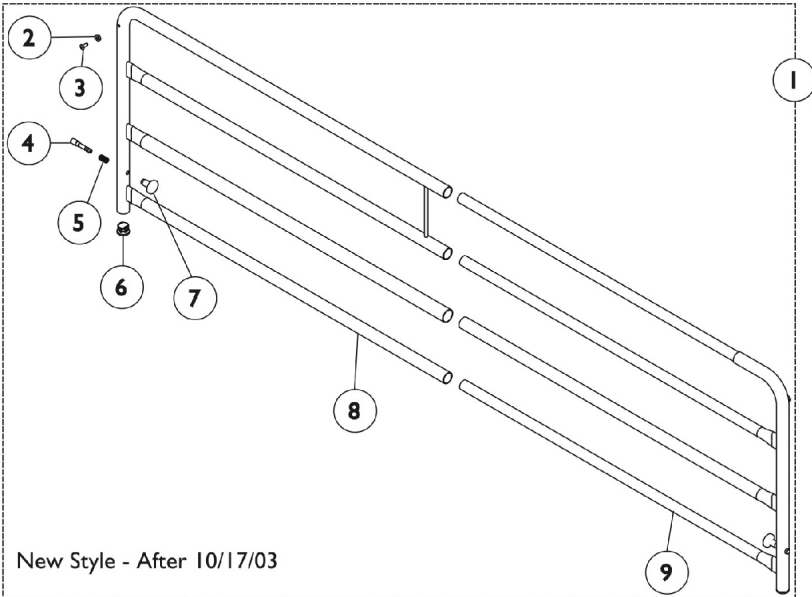


Half Length Bed Rails 6630

Item Number	Note	Part Number	Description	Quantity Per	
				Package	Assembly
1		1007727	Channel Only (Granite)	1	2
5	B	1028789	Kit, Frame Bar	1	1
2		1007723	Bolt, Carriage (1/4-20 x 1-1/4")	1	2
3		20148X002	Wing Nut (1/4-20)	1	2
4		1007726	Clamp Bar	1	2
6		16308X000	Washer, Flat (5/16 x 11/16 x 1/16")	1	4
7		60290X002	Locknut (5/16-18)	1	4
8		19000X023	Spring, Plunger (23/64 x 5/8")	1	2
9		19000X012	Pin, Plunger	1	2
10		40014X020	Knob, Plunger	1	2
11		40314X001	Ring, Retaining	1	2
12		16346X000	Bracket Weldment	1	2
13		16336X000	Bushing, Composite Nylon (25/32 x 29/32 x 3/4")	1	6
14		16363X000	Bushing (4")	1	2
15		16348X000	Rivet (3/16 x 7/16")	1	8
16		16335X000	Insert	1	2
17		16362X000	Rail, Bottom	1	2
18		16357X000	Rail, Top	1	2
19	A	16364X000-NLA	Half Rail Assembly	1	2
	C	1016386	Instruction Sheet - 6630 Bedrail	1	1

NOTE: A - Includes items 6-18.
 B - Includes items 2-4.
 C - Not shown

Telescoping Home Bed Rail 6631

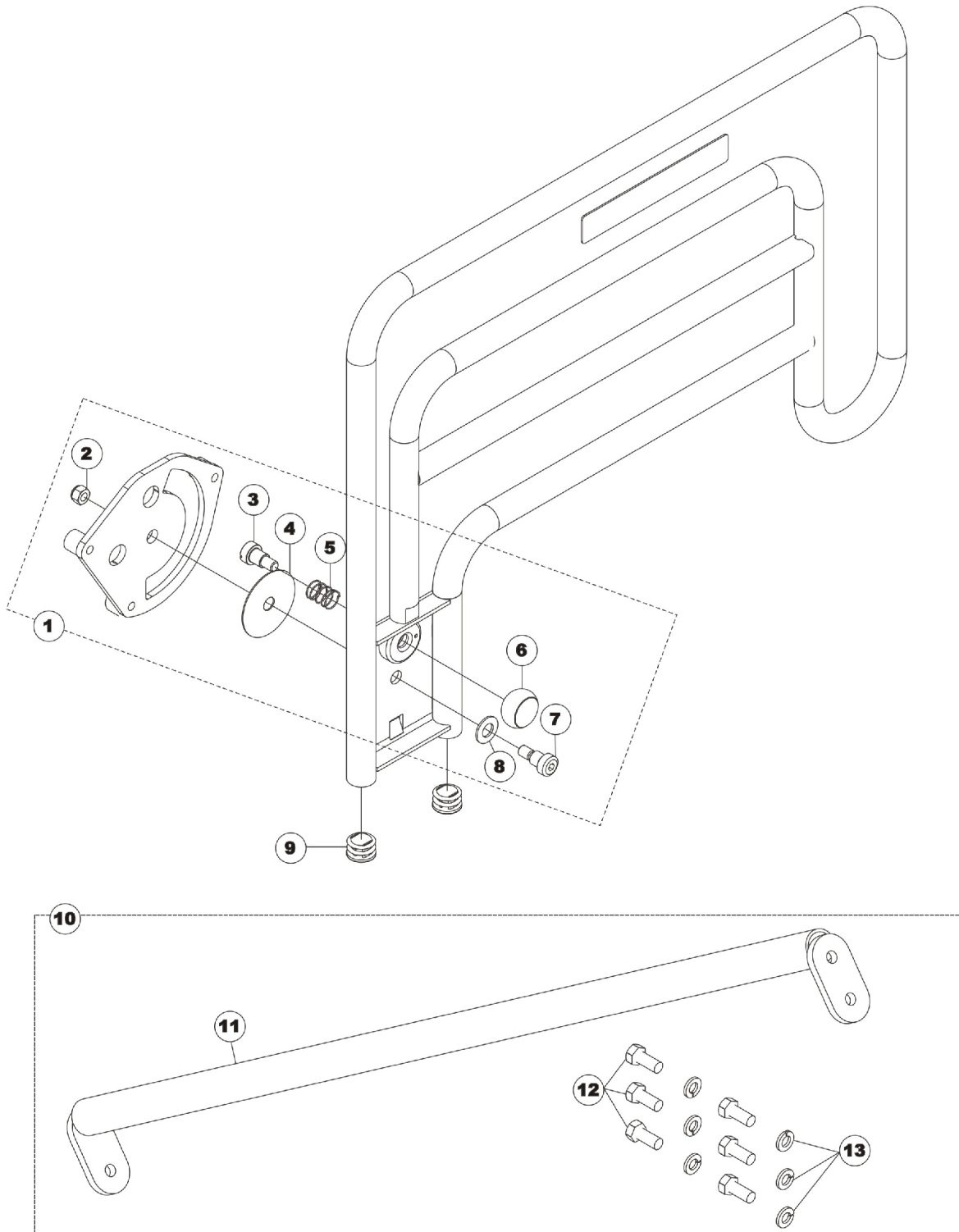


Telescoping Home Bed Rail 6631

Item Number	Note	Part Number	Description	Quantity Per	
				Package	Assembly
1	A,B	1135777	Kit, Telescoping Bed Rail	1	2
2		16347X000	Washer, Nylon (3/16 x 7/16 x 1/8")	1	2
3		16348X000	Rivet (3/16 x 7/16")	1	2
4		1012660	Pin, Plunger	1	2
5		19000X023	Spring, Plunger (23/64 x 5/8")	1	2
6		1027096	Plug Button, Grey (7/8")	1	2
7		1012656	Knob, Plunger	1	2
8		1121925	Rail, Telescoping - Outside	1	1
9		1121926	Rail, Telescoping - Inside	1	1
		1130183	Label, Entrapment Warning	1	1
		1122149	Warning Label - Reduced Gap	1	1
10		1022789	Channel Tube with Barrel, Left Head End / Right Foot End	1	2
10		1022790	Channel Tube with Barrel, Left Foot End / Right Head End	1	2
11		1023599	Channel Tube, Center	1	2
12		40188X009	Button, Single Snap	1	4

NOTE: A - As of 10/17/03 the rails have 4 rungs instead of 3 so an inner and an outer Rail needs to be ordered when replacing.
B - Includes: Items 2-9 and the Warning Labels

Half Length Assist Rail - 6632



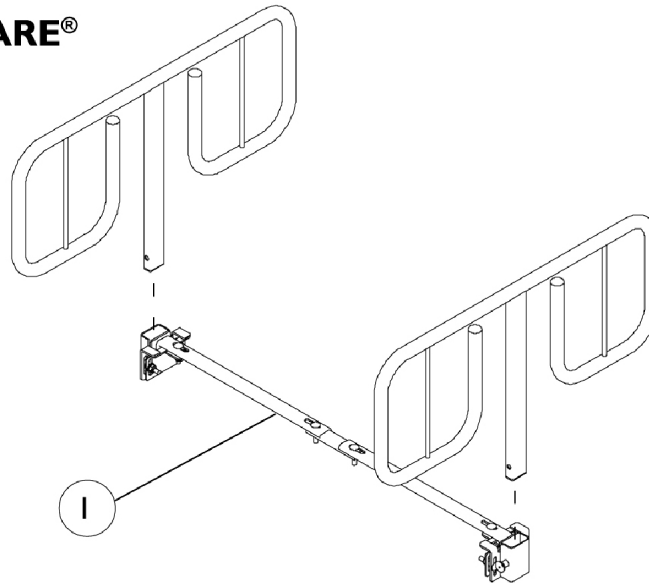
Half Length Assist Rail - 6632

Item Number	Note	Part Number	Description	Quantity Per	
				Package	Assembly
1	A	1134721	Kit, Bed Rail Hardware	1	1
2		1089061	Locknut (3/8-16)	1	1
3		1131217	Screw, Slotted Shoulder (3/8-16 x 1/2")	1	1
4		1131219	Washer, Nylon (1/2 x 2-1/2 x 1/32")	1	1
5		1131218	Spring, Extension (3/4 x 1 x 1/32")	1	1
6		1131216	Knob, Plunger (1-3/8" Dia.)	1	1
7		1131221	Screw, Socket Head Shoulder (3/8-16 x 1/2")	1	1
8		1131222	Washer (1/2 x 1 x 3/32")	1	1
9		1133097	Plug Button (1") Black Interchangeable with 1029501	1	2
10	B	1134720	Kit, Cross Tube Replacement	1	1
11		1129580	Crossbrace, Assist Rail	1	1
12		1129710	Screw, Hex Head (5/16-18 x 3/4")	1	6
13		1132551	Washer, Split Lock (5/16")	1	6

NOTE: A - Includes: Items 2-8
B - Includes: Items 11-13

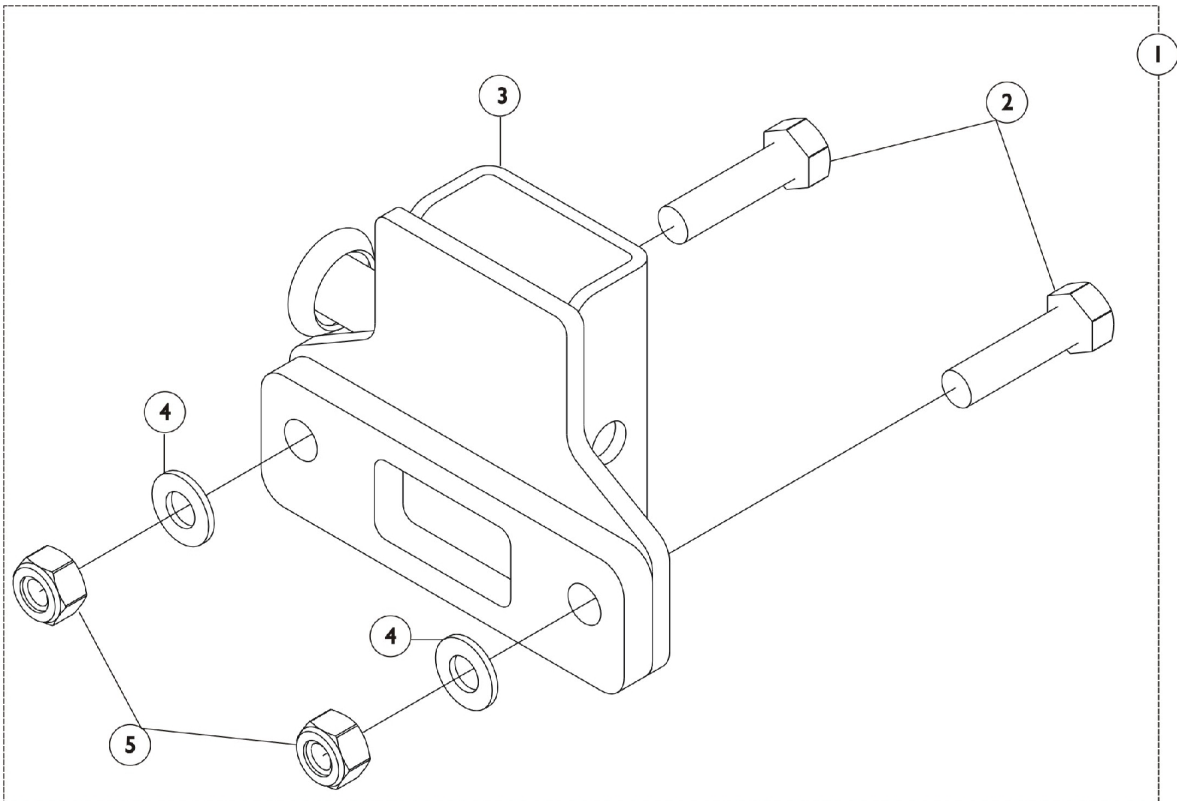
Economy Bed Rail 6640

Model 6640
CAREGUARD™ by INVACARE®



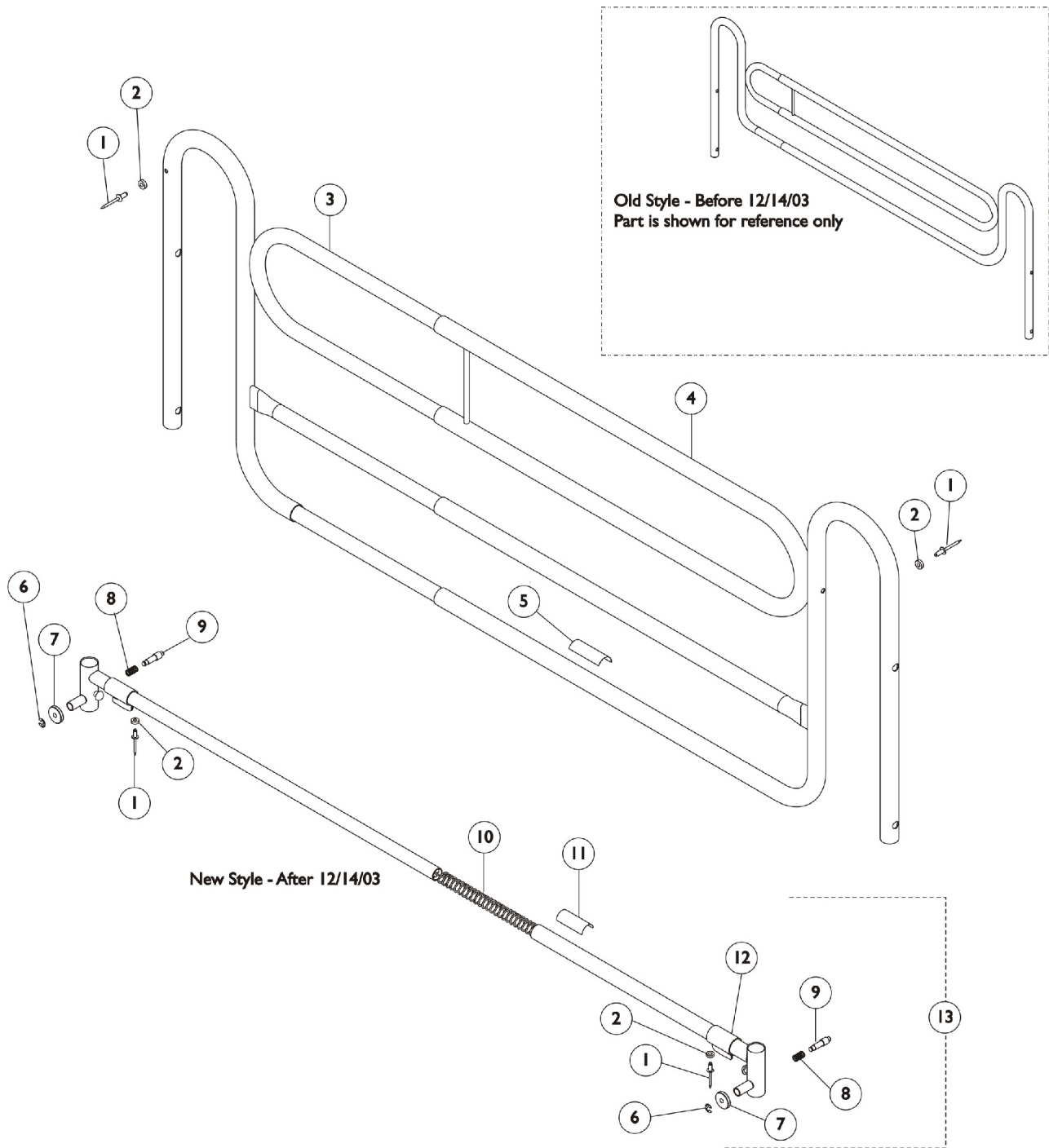
Item Number	Note	Part Number	Description	Quantity Per	
				Package	Assembly
1		1082477	Kit, Crossbrace	1	1
		1082476	Clamp, Side Adjustment	1	2
		1105472	Kit, Homecare Bed Hardware	1	1
		1105473-NLA	Kit, Bed Rail Bracket Hardware (Includes: Spacers and Bolts)	1	1

Bariatric Bed Rails - BAR6640IVC



Item Number	Note	Part Number	Description	Quantity Per	
				Package	Assembly
1		1128330	Kit, Adjustable Lock	1	1
2		51000M739	Screw, Hex Head (5/16-18 x 1-1/4")	1	2
3		1125272	Bracket, Adjustable Locking	1	1
4		1059655	Washer (5/16 x 5/8 x 1/16")	1	2
5		1115700	Nut, 5/16-18 Hex Lock	1	2

Economy Telescoping Bed Rail 6650



Economy Telescoping Bed Rail 6650

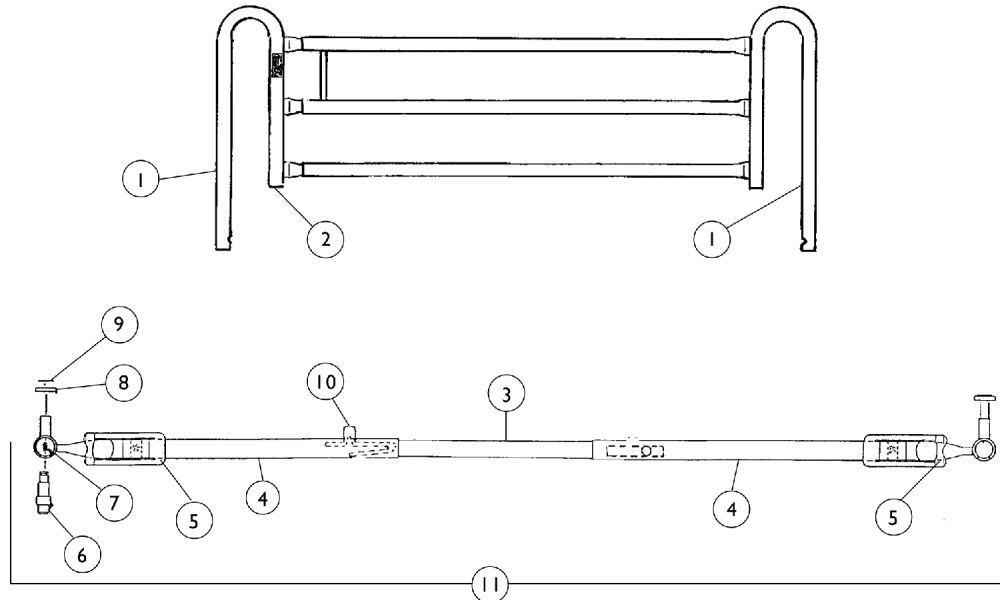
Item Number	Note	Part Number	Description	Quantity Per	
				Package	Assembly
1		16348X000	Rivet (3/16 x 7/16")	1	2
2		16347X000	Washer, Nylon (3/16 x 7/16 x 1/8")	1	2
3	A	1121941-NLA	Rail, Telescoping - Inside	1	1
4	A	1121940-NLA	Rail, Telescoping - Outside	1	1
5		1122149	Warning Label - Reduced Gap	1	1
6		40314X001	Ring, Retaining	1	2
7		40014X020	Knob, Plunger	1	2
8		19000X023	Spring, Plunger (23/64 x 5/8")	1	2
9		19000X012	Pin, Plunger	1	2
10		1047101-NLA	Spring, Compression with Hook End	1	1
11		1011239-NLA	Caution Label	1	1
12		1047096-NLA	Clip, Crossbrace	1	2
13		1106244-NLA	Crossbrace Assembly	1	2

NOTE: A - After 2/1/04 the rails will have 4 rungs instead of 3 so an inner and an outer Rail needs to be ordered when replacing.

Deluxe Quick Clip-On Bed Rail 6658

This item was discontinued as of 10/12/95

Model 6658 (Discontinued)



Item Number	Note	Part Number	Description	Quantity Per	
				Package	Assembly
1		16320X006-NLA	Rail, Outside	1	2
1		16320X007-NLA	Rail, Inside	1	2
2		1057287	Plug Button, Grey (1")	1	8
3		1022842-NLA	Channel Tube, Center	1	2
4		1106235-NLA	Crossbrace Assembly	1	2
5		1022652-NLA	Spring Clip	1	2
6		19000X012	Pin, Plunger	1	4
7		19000X023	Spring, Plunger (23/64 x 5/8")	1	4
8		40014X020	Knob, Plunger	1	4
9		40314X001	Ring, Retaining	1	4
10		40188X009	Button, Single Snap	1	4
11	A	1023491-NLA	Crossbrace Assembly	1	2

NOTE: A - Includes Items 3-10.

If an NLA item needs to be replaced, please see the current bed rail model numbers available. Parts are not interchangeable so a whole new model will need to be ordered.



Yes, you can.™

Invacare Corporation

www.invacare.com

One Invacare Way
Elyria, Oh USA
44036-2125
800-333-6900

Technical Support
800-832-4707
Florida Technical Support
407-321-5630

Customer Service
800-333-6900

©2007 Invacare Corporation, Elyria, Ohio.
Invacare, the Medallion Design and Yes, you
can. are registered trademarks and
CareGuard is a Trademark of the Invacare
Corporation. (Revised 2/16/07)

Form No. 92-48

Free Manuals Download Website

<http://myh66.com>

<http://usermanuals.us>

<http://www.somanuals.com>

<http://www.4manuals.cc>

<http://www.manual-lib.com>

<http://www.404manual.com>

<http://www.luxmanual.com>

<http://aubethermostatmanual.com>

Golf course search by state

<http://golfingnear.com>

Email search by domain

<http://emailbydomain.com>

Auto manuals search

<http://auto.somanuals.com>

TV manuals search

<http://tv.somanuals.com>