



SAVE THESE INSTRUCTIONS

NOTE: Check all parts for shipping damage, in case of damage, DO NOT use. Contact Carrier/Invacare for further instructions.

SAFETY SUMMARY

To ensure the safe and proper installation and use of footrest and scissor mechanism guards, these instructions MUST be followed:

GENERAL WARNING

DO NOT install this equipment without first reading and understanding this instruction sheet and the Invacare Mobile Recliners Manual, part number 5400M107. If you are unable to understand the warnings, cautions and instructions, contact a healthcare professional, dealer or technical personnel if applicable, before attempting to install this equipment - otherwise, injury or damage may occur.

INSTALLATION WARNING

After **ANY** adjustments, repair, or service and **BEFORE** use, make sure that all attaching hardware is tightened securely.

Description	Quantity
Footrest Cover	2
Mechanism Cover	2
Tie Wrap	2

INSTALLING FOOTREST GUARD AND SCISSOR MECHANISM GUARD

FOOTREST GUARD (FIGURE 1)

NOTE: Right and left sides are determined from the user's seated position.

1. Engage wheel locks.
2. Extend the footrest of the recliner.
3. Carefully tip the recliner onto the right side. Be sure there are no obstructions on or around the floor before doing this.
4. Remove mounting bolt from support tube as shown in DETAIL "A" in FIGURE 1.
5. Install footrest guard around the footrest frame as shown in DETAIL "A" in FIGURE 1.

NOTE: Footrest guard needs to be folded in two (2) locations so it will wrap entirely around the upper frame. Refer to the scored lines on the guard to determine where the folds should be.

6. Once folded, align the two (2) mounting holes of the footrest guard with the mounting hole in the upper frame as shown in DETAIL "A" in FIGURE 1.
7. Using the mounting bolt, secure the footrest guard and upper frame to the support tube as shown in DETAIL "A" in FIGURE 1.

8. With a tie wrap, secure the footrest guard to the upper side frame as shown in DETAIL "B" in FIGURE 1.

NOTE: If necessary, trim excess tie wrap to prevent binding and pinching.

CAUTION

When installing tie-wrap, pull tie wrap tight but not too tight causing the guard to buckle or deform.

WARNING

Tie wrap should be installed with the excess located on the interior side of the footrest assembly. Failure to do so may result in serious injury.

9. Place chair in the upright position. Close the footrest. If binding or pinching of footrest guard occurs, call Invacare at the number listed on the back cover.
10. Carefully tip recliner onto the left side. Be sure there are no obstructions on or around the floor before doing this.
11. Repeat STEPS 4-9 to install remaining footrest guard.

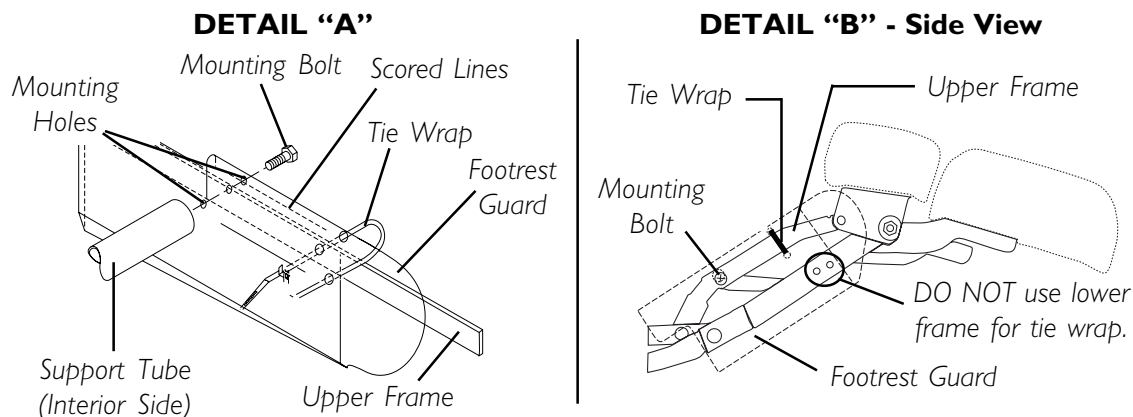


FIGURE 1 - INSTALLING FOOTREST GUARD

INSTALLING SCISSOR MECHANISM GUARD (FIGURES 2 AND 3)

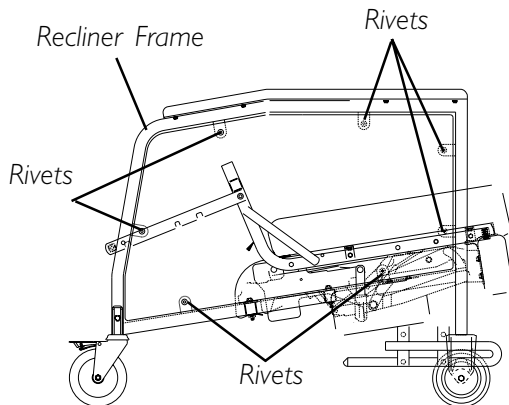
NOTE: Right and left sides are determined from the user's seated position.

1. Engage wheel locks.
2. Carefully tip recliner onto the right side. Be sure there are no obstructions on or around the floor before doing this.

NOTE: On model 6905A chairs manufactured before 04/01/02, the side panel was secured with plastic rivets. Replacement panel kit # 1109705 is required to install. Contact Invacare Dealer/Provider for more information and ordering.

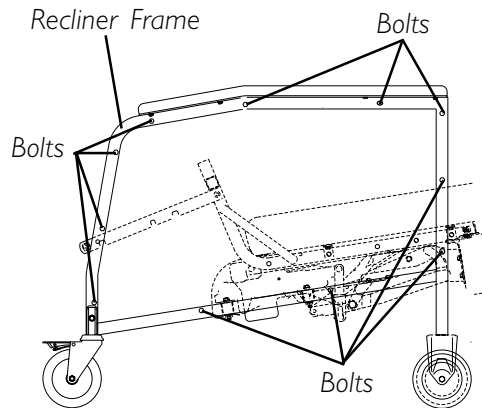
3. Perform one (1) of the following:
 - A. **FOR MODEL 6905A MANUFACTURED BEFORE 04/01/2002** - remove the seven (7) rivets securing the side panel to the recliner frame. Refer to DETAIL "A" in FIGURE 2.
 - B. **FOR MODEL 6905A MANUFACTURED AFTER 04/01/2002** - remove the eleven (11) bolts securing the side panel to the recliner frame. Refer to DETAIL "B" in FIGURE 2.
 - C. **FOR MODELS 6907A AND 6908A** - remove four (4) bolts securing the side panel to the wheelchair frame. Refer to DETAIL "C" in FIGURE 2.

**DETAIL "A" - MODEL 6905A
MANUFACTURED BEFORE
04/01/2002**



NOTE: Side panel not shown to show rivet locations.

**DETAIL "B" - MODEL 6905A
MANUFACTURED AFTER
04/01/2002**



DETAIL "C" - REMOVING SIDE COVER MODELS 6907A AND 6908A

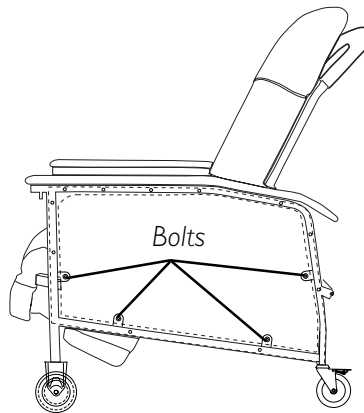


FIGURE 2 - INSTALLING THE SCISSOR MECHANISM GUARD

4. Remove four (4) existing bolts A, B, C and D from side frame as shown in FIGURE 3.
5. Position scissor mechanism guard against the side frame with the folded edge down. Refer to FIGURE 3.
6. Align holes of scissor mechanism guard with holes on side frame.
7. Secure scissor mechanism guard to side frame with existing bolts A, B, C, and D.
8. Perform one (1) of the following:
 - A. **FOR MODEL 6905A BUILT BEFORE 04/01/2002** - Install new side panel with kit no. 1109705 and using instruction sheet no. 1109704.
 - B. **FOR MODEL 6905A BUILT AFTER 04/01/2002** - Secure the side cover to the recliner frame with the eleven (11) bolts. Refer to DETAIL "B" in FIGURE 2.
 - C. **FOR MODELS 6907A, 6908A** - Secure the side cover to the recliner frame with the four (4) bolts. Refer to DETAIL "C" in FIGURE 2.

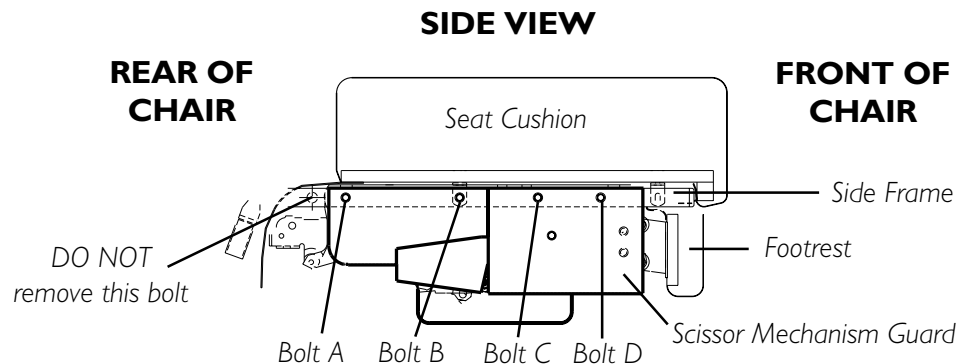
9. Place chair in the upright position.

10. Close the footrest.

NOTE: If binding or pinching of footrest guard occurs, call Invacare at the number listed below.

11. Carefully tip recliner onto the left side. Be sure there are no obstructions on or around the floor before doing this.

12. Repeat STEPS 3-11 to install remaining scissor mechanism guard.



NOTE: Some detail removed for clarity.

FIGURE 3 - INSTALLING THE SCISSOR MECHANISM GUARD



Invacare Corporation www.invacare.com

USA
One Invacare Way
Elyria, Ohio USA
44036-2125
800-333-6900

Invacare is a registered trademark of
Invacare Corporation.
Yes, you can. is a trademark of Invacare
Corporation.
© 2002 Invacare Corporation
Part No. 1109697 Rev B - 7/02

Free Manuals Download Website

<http://myh66.com>

<http://usermanuals.us>

<http://www.somanuals.com>

<http://www.4manuals.cc>

<http://www.manual-lib.com>

<http://www.404manual.com>

<http://www.luxmanual.com>

<http://aubethermostatmanual.com>

Golf course search by state

<http://golfingnear.com>

Email search by domain

<http://emailbydomain.com>

Auto manuals search

<http://auto.somanuals.com>

TV manuals search

<http://tv.somanuals.com>