



SAVE THESE INSTRUCTIONS

NOTE: Check ALL parts for shipping damage. In case of shipping damage, DO NOT use. Contact Carrier/Dealer for further instruction.

SAFETY SUMMARY

To ensure the safe installation, operation and use of the MPR Leg Extension Kit, these instructions **MUST** be followed:

GENERAL WARNING

DO NOT install or use this equipment without first reading and understanding these instructions. If you are unable to understand the Warnings, Cautions or Instructions, contact a healthcare professional, dealer or technical personnel before attempting to install this equipment - otherwise injury or damage may occur.

INSTALLATION WARNING

After **ANY** adjustments, repair or service and before use, make sure all attaching hardware is tightened securely - otherwise injury or damage may occur.

Leg Extension Kit (Part No. 1124320) contains the following items:

DESCRIPTION	QUANTITY
5-inch Leg Extension	4
1/4-20 x 1-1/4-inch Hex Head Screw	4
1/4-20 Locknut	4

INSTALLING 5-INCH LEG EXTENSION (FIGURE 1)

1. Engage wheel locks.
2. Place recliner on its side to gain access to the casters.
3. Remove the screws and locknuts that secure the caster assemblies to the recliner frame and remove the casters.
4. Insert the 5-inch leg extensions into each leg of the frame.
5. Secure into place by reinstalling existing screws and locknuts.
6. Insert casters into end of the leg extensions.

NOTE: Ensure that the casters with brakes are reinstalled onto the rear of the recliner.

7. Secure into place with screws and locknuts provided in kit.

For more information regarding Invacare products, parts, and services, please visit: www.invacare.com

8. Ensure all locknuts are securely tightened.
9. Return the recliner to its upright position.

WARNING

The 5-inch leg extension does NOT change the weight limitation of your recliner.

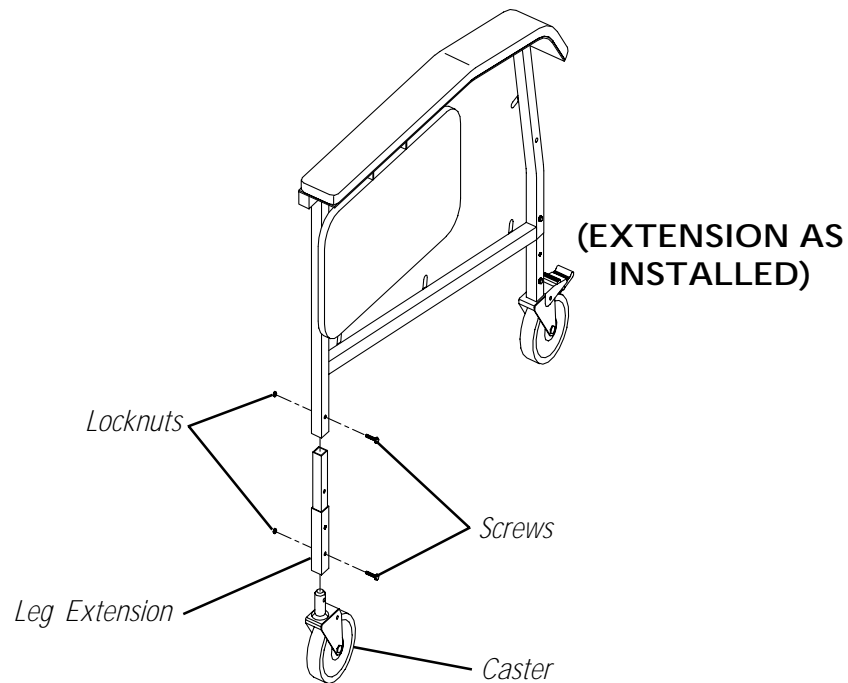


FIGURE 1 - INSTALLING 5-INCH LEG EXTENSION KIT - MODEL 6908A



Yes, you can.™

Invacare Corporation www.invacare.com

USA
One Invacare Way
Elyria, Ohio USA
44036-2125
800-333-6900

Canada
570 Matheson Blvd E Unit 8
Mississauga Ontario
L4Z4G4 Canada
800-668-5324

Invacare is a registered trademark of Invacare Corporation.
Yes, you can. is a trademark of Invacare Corporation.
© 2004 Invacare Corporation
Part No. 1123852 Rev A - 3/04

Free Manuals Download Website

<http://myh66.com>

<http://usermanuals.us>

<http://www.somanuals.com>

<http://www.4manuals.cc>

<http://www.manual-lib.com>

<http://www.404manual.com>

<http://www.luxmanual.com>

<http://aubethermostatmanual.com>

Golf course search by state

<http://golfingnear.com>

Email search by domain

<http://emailbydomain.com>

Auto manuals search

<http://auto.somanuals.com>

TV manuals search

<http://tv.somanuals.com>