

# Headrest Adapter Plate



## Assembly, Installation and Operating Instructions

Part No. HR15

Yes, you can!

### SAVE THESE INSTRUCTIONS

*NOTE: Check all parts for shipping damage before using. In case of damage, do not use. Contact the dealer for further instructions.*

## SAFETY SUMMARY

The following recommendations are made for safe installation and use of the Headrest Adapter Plate:

### GENERAL WARNINGS

**DO NOT** install this equipment without first reading and understanding this instruction sheet. If you are unable to understand these **Warnings, Cautions and Instructions**, contact a healthcare professional, dealer or technical personnel if applicable before attempting to install this equipment - otherwise, injury or damage may occur.

Your therapist and physician should be consulted if you have any questions regarding individual limitations and needs.

### INSTALLATION WARNING

**Make sure that all screws and adjustments are tightened properly, otherwise serious injury or damage may result.**

## INSTALLING THE ADAPTER PLATE (FIGURE 1)

1. Perform one (1) of the following:  
**ULTIMATE AIR OR KSS BACK** - Turn the adapter plate so the "A" side faces up.  
**CONTOUR U<sup>®</sup>** - Turn the adapter plate so the "B" side faces up.

2. Align the center mounting holes on the adapter plate with the threaded holes in the bracket base.

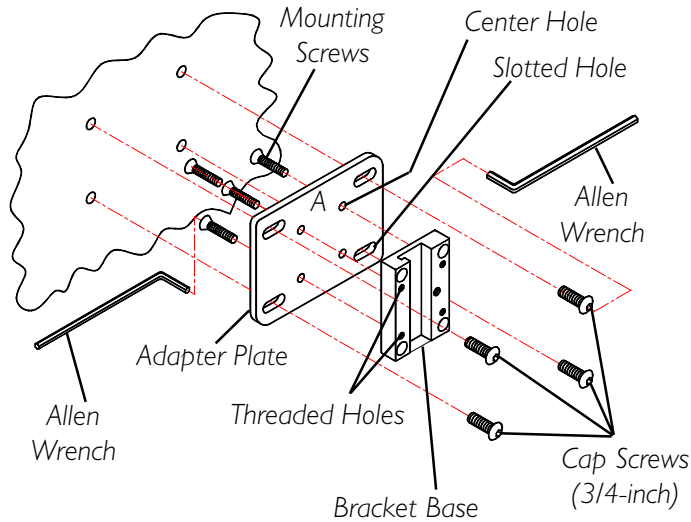
*NOTE: The slotted side of the bracket base should face out.*

3. Secure the adapter plate to the bracket base with the four (4) mounting screws. Securely tighten with the 1/8-inch allen wrench.
4. Align the four (4) slotted holes in the adapter plate with the holes in the back cushion plate. Ensure that the side determined in STEP 1 faces up.

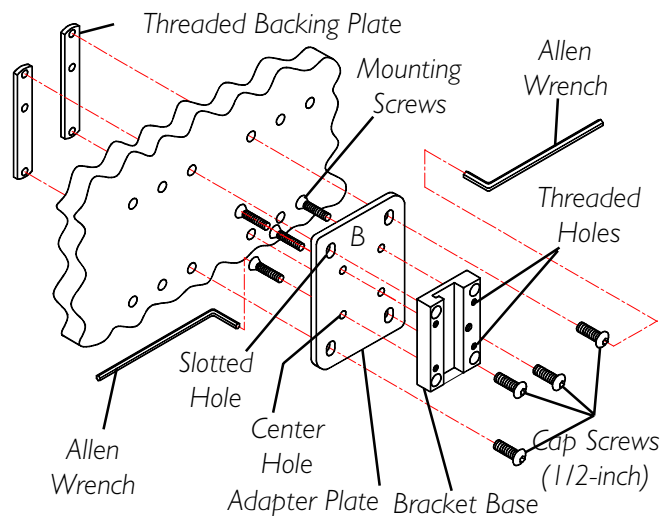
5. Perform one (1) of the following:  
**ULTIMATE AIR OR KSS BACK** - Secure the adapter plate to the back with the four (4) 3/4-inch cap screws. Securely tighten with the allen wrench.  
**CONTOUR U<sup>®</sup>** - Secure the adapter plate and two (2) threaded backing plates to the back with the four (4) 1/2-inch cap screws. Securely tighten with the allen wrench.

*NOTE: The Headrest Adapter Plate Kit contains two (2) types of screws for securing the adapter plate to the back: 3/4-inch screws for the Ultimate Air or KSS back and 1/2-inch screws for the Contour U<sup>®</sup>.*

## KSS OR ULTIMATE AIR BACK



## CONTOUR-U® BACK



**FIGURE I - INSTALLING THE ADAPTER PLATE**



Invacare Corporation [www.invacare.com](http://www.invacare.com)

**USA**  
One Invacare Way  
Elyria, Ohio USA  
44036-2125  
800-333-6900

**Canada**  
570 Matheson Blvd E Unit 8  
Mississauga Ontario  
L4Z4G4 Canada  
800-668-5324

Invacare is a registered trademark of Invacare Corporation.  
Yes, you can. is a trademark of Invacare Corporation.  
© 2002 Invacare Corporation  
Rev D (1) 2/02 Part No. 0900113

## Free Manuals Download Website

<http://myh66.com>

<http://usermanuals.us>

<http://www.somanuals.com>

<http://www.4manuals.cc>

<http://www.manual-lib.com>

<http://www.404manual.com>

<http://www.luxmanual.com>

<http://aubethermostatmanual.com>

Golf course search by state

<http://golfingnear.com>

Email search by domain

<http://emailbydomain.com>

Auto manuals search

<http://auto.somanuals.com>

TV manuals search

<http://tv.somanuals.com>