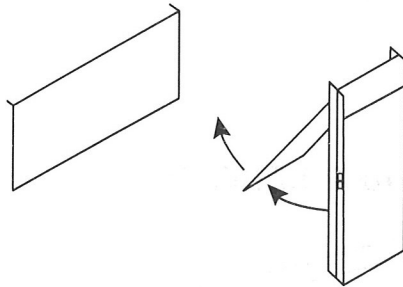


Step 1: Position the ramp approximately the ramps length out from step, van or platform. Stand ramp up on end with the open ends down and the handle side toward you. Reach down and lift first half of the ramp toward the step or landing area and set it down on top of support. Make sure hook is pressed firmly against step.

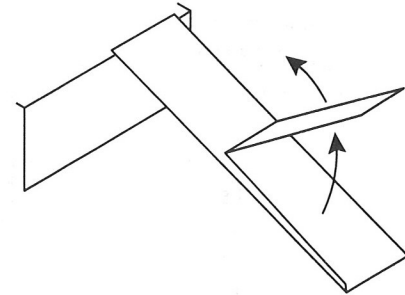
Step 2: Open top half of ramp.

Step 3: Unfold top half of ramp towards you and once again make sure that ramp hooks are pressed firmly against landing area.

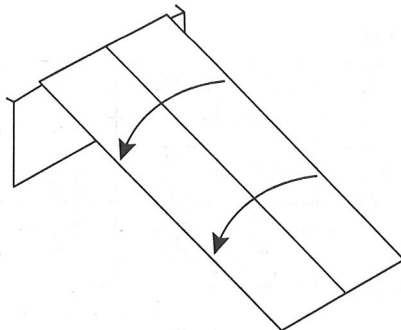
Step 1.



Step 2.



Step 3.

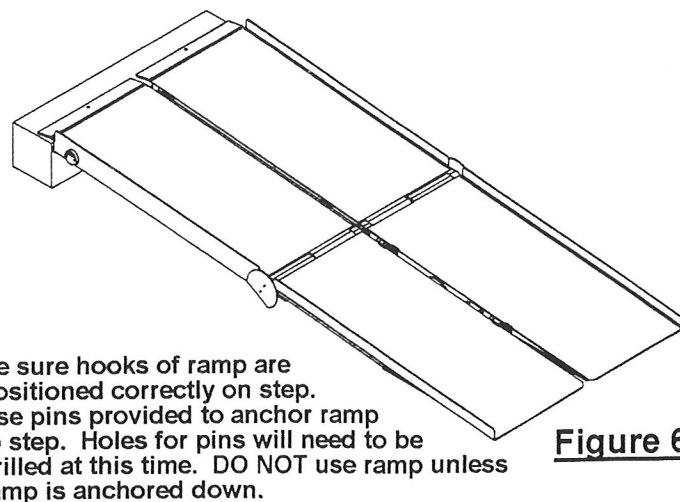
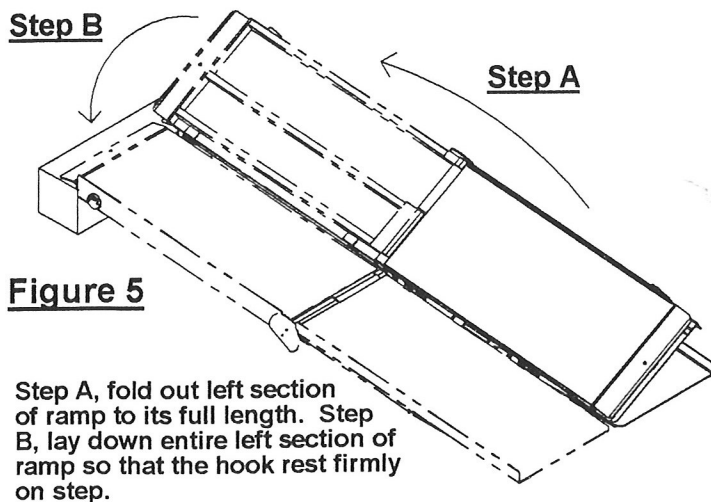
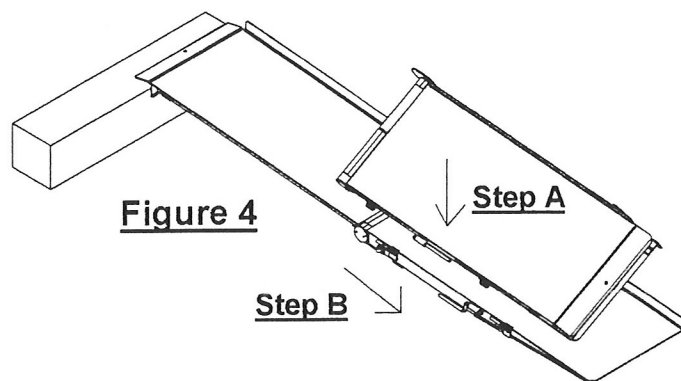
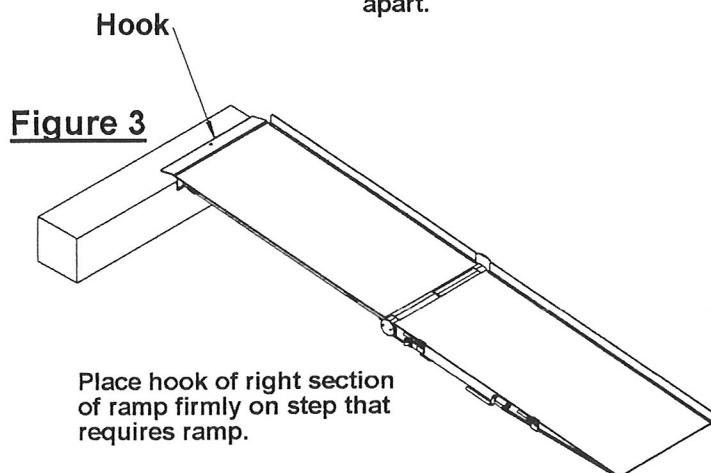
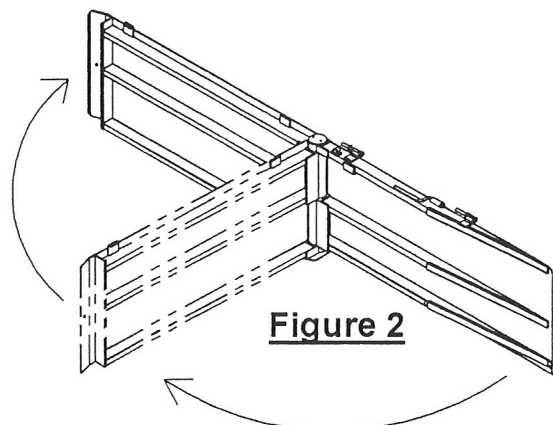
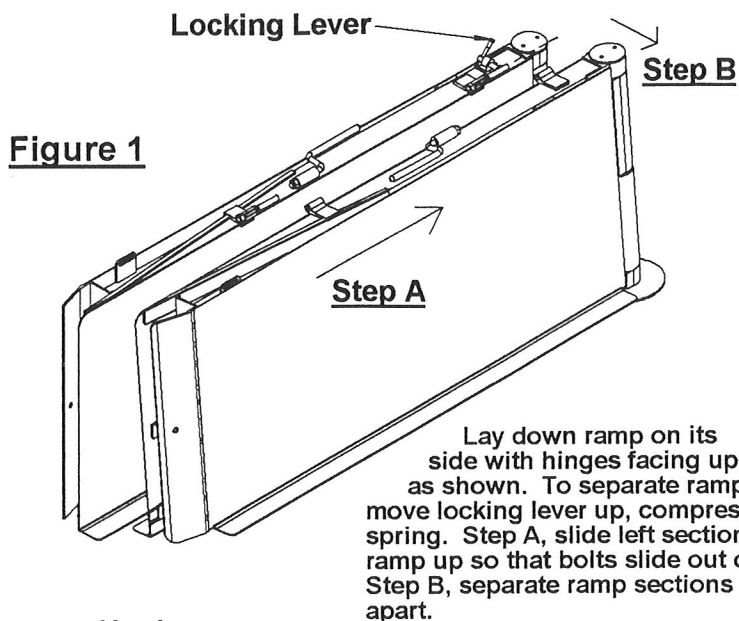


ONE YEAR LIMITED WARRANTY

1. PRAIRIE VIEW INDUSTRIES, INC. warrant that the equipment is free from defects in material and workmanship under normal use and service. The provisions of this warranty shall not apply to any equipment which has been subject to misuse, negligence, alteration, accident or improper installation, or which shall have been repaired outside PRAIRIE VIEW INDUSTRIES, INC. place of business. The provisions of this warranty shall not apply to normal deterioration due to wear and exposure.
2. PRAIRIE VIEW INDUSTRIES, INC. obligation under this warranty is limited to repairing or replacing, at its option, any equipment which is returned to PRAIRIE VIEW INDUSTRIES, INC. place of business and which upon examination shall disclose to PRAIRIE VIEW INDUSTRIES, INC. reasonable satisfaction to have been thus defective. The repair or replacement of defective equipment under this warranty will be made by PRAIRIE VIEW INDUSTRIES, INC. without charge for parts or labor. This excludes shipping or delivery charges to or from PRAIRIE VIEW INDUSTRIES, INC. place of business.
3. The warranty is effective as of the date of sale to the original purchaser and extends for one year. Original purchaser must fill out and return the warranty card within 30 days after the date of sale or the warranty will be void.
4. Defective equipment that is covered by this warranty must be returned at the purchaser's expense along with proof of date of purchase (receipt, check or other document that shows the date of purchase and the identity of the equipment) to PRAIRIE VIEW INDUSTRIES, INC., 2620 Industrial Drive, Fairbury, NE 68352.
5. The duration of any implied warranty of merchantability or fitness for a particular purpose shall be limited in all respects to the duration of the limited warranty. This limited warranty shall be in lieu of any other express or implied warranty. Some states do not allow limitations on how long an implied warranty lasts, so the above limitation may not apply to you. PRAIRIE VIEW INDUSTRIES, INC. neither assumes nor authorizes any other person to assume for it any other liability in connection with PRAIRIE VIEW INDUSTRIES, INC. or the equipment.
6. The purchaser's sole and exclusive remedy against the seller shall be for the repair or replacement of defective equipment as provided above. No other remedy, including but not limited to, incidental or consequential damages for lost profits, lost sales, injury to property or any other incidental or consequential loss, shall be available to the purchaser. Some states do not allow the exclusion or limitation of incidental or consequential damages, so the above limitation or exclusion may not apply to you. Before using, user shall determine the suitability of the product for its intended use, and user assumes all risk and liability whatsoever in connection therewith.
7. This warranty gives you specific legal rights, and you may also have other rights which vary from state to state.

Ramp Layout Instructions

WARNING: DO NOT use ramp until video has been watched. Read booklet and ramp layout instructions carefully. **DO NOT** use ramp unless ramp is anchored down.



IMPORTANT: These instructions apply to wherever you will be using the ramp. Please take note of the slope chart in booklet to be sure the ramp is at a proper and safe incline.

READ BEFORE USING!

1. **ALWAYS** have a qualified assistant present when using this or any other portable ramp.
2. **NEVER** exceed a slope greater than 2" on 12" with an occupied chair or scooter.
3. **ALWAYS** make sure that top of ramp is secured on step or landing before using. It may be necessary to anchor top of ramp to landing surface with steel pins provided.
4. **ALWAYS** follow manufacturer recommendations for chair or scooter.
5. **ALWAYS** use your lap belt.
6. **SLOPE RECOMMENDATIONS:**

1:12 SLOPE (4.8deg)

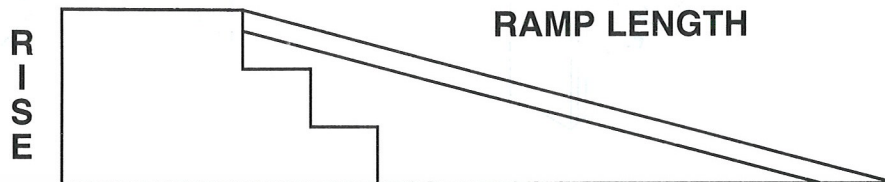
1. The ADA recommended slope for long (up to 30') home and commercial ramps.
2. Works for most strong unassisted manual chair users, although P.V.I. always recommends assistance.

2:12 SLOPE (9.5deg)

Acceptable grade for portable ramp use by occupied chairs and scooters with a qualified assistant.

3:12 SLOPE (14.5deg)

For loading UNOCCUPIED chairs and scooters.



		RAMP LENGTH									
		2'	3'	4'	5'	6'	7'	8'	10'	12'	
R A M P R I S E I N I N C H E S	3"	7.2°	4.8°	3.6°	2.9°	2.4°	2.0°	1.8°	1.4°	1.2°	R A M P I N C L I N E I N D E G R E E S
	4"	9.6°	6.4°	4.8°	3.8°	3.2°	2.7°	2.4°	1.9°	1.6°	
	5"	12.0°	8.0°	6.0°	4.8°	4.0°	3.7°	3.0°	2.4°	2.0°	
	6"	14.5°	9.6°	7.2°	5.7°	4.8°	4.1°	3.6°	2.9°	2.4°	
	7"	17.0°	11.2°	8.4°	6.7°	5.6°	4.8°	4.2°	3.3°	2.8°	
	8"		12.8°	9.6°	7.7°	6.4°	5.5°	4.8°	3.8°	3.2°	
	9"		14.5°	10.8°	8.6°	7.2°	6.2°	5.4°	4.3°	3.6°	
	10"		16.1°	12.0°	9.6°	8.0°	6.8°	6.0°	4.8°	4.0°	
	12"			14.5°	11.5°	9.6°	8.2°	7.2°	5.7°	4.8°	
	14"				13.5°	11.2°	9.6°	8.4°	6.7°	5.6°	
	16"					12.8°	11.0°	9.6°	7.7°	6.3°	
	18"					14.5°	12.4°	10.8°	8.6°	7.1°	
	20"						13.8°	12.0°	9.6°	7.9°	
	22"							13.2°	10.6°	8.7°	
	24"							14.5°	11.5°	9.5°	
	26"								12.5°	10.2°	
28"								13.5°	11.0°		
30"								14.5°	11.8°		
32"									12.5°		
34"									13.3°		
36"									14.5°		

Distributed by Invacare

Invacare Corporation

www.invacare.com



Yes, you can:

USA
One Invacare Way
Elyria, Ohio USA
44036-2125
800-333-6900

Invacare and "Yes you can" are registered trademarks of Invacare Corporation.

©2000 Invacare Corporation

Part No. ICR100

Free Manuals Download Website

<http://myh66.com>

<http://usermanuals.us>

<http://www.somanuals.com>

<http://www.4manuals.cc>

<http://www.manual-lib.com>

<http://www.404manual.com>

<http://www.luxmanual.com>

<http://aubethermostatmanual.com>

Golf course search by state

<http://golfingnear.com>

Email search by domain

<http://emailbydomain.com>

Auto manuals search

<http://auto.somanuals.com>

TV manuals search

<http://tv.somanuals.com>