



SAVE THESE INSTRUCTIONS

NOTE: Check all parts for shipping damage. In case of damage, DO NOT use. Contact Carrier/Invacare for further instructions.

SAFETY SUMMARY

To ensure the safe and proper installation and use of the Ventilator Tray, these instructions **MUST** be followed:

GENERAL WARNING

DO NOT install this equipment without first reading and understanding this instruction sheet and the Solara jr. Owner’s Manual, part number I106628. If you are unable to understand the warnings, cautions and instructions, contact a healthcare professional, dealer or technical personnel if applicable, before attempting to install this equipment - otherwise, injury or damage may occur.

INSTALLATION WARNING

After ANY adjustments, repair or service and BEFORE use, make sure that all attaching hardware is tightened securely.

NOTE: The ventilator tray kit can only be installed on 16-inch wide Solara jr. wheelchairs. If necessary, adjust the width of the wheelchair. Refer to the Solara jr. Service Manual, part number I106629.

This kit includes the following items:

Description	Quantity
Plug Button	2
Washer	2
Locknut	2
Side Mounting Screw	2
Ventilator Tray with six (6) Straps	1
Rear Ventilator Tray Crossmember	1

INSTALLING THE VENTILATOR TRAY (FIGURE 1)

1. Remove and discard the two (2) SIDE mounting screws and washers securing the REAR crossmember to the base frame (DETAIL "A").
2. Remove the REAR crossmember from the base frame (DETAIL "A").
3. Remove and set aside the two (2) mounting screws and locknuts from the FRONT crossmember of the base frame (DETAIL "A").
4. Remove and set aside the two (2) mounting screws and locknuts from the CENTER crossmember of the base frame (DETAIL "A").
5. Remove the plug buttons from the upper frame tubes of the base frame (DETAIL "A").
6. Remove the two (2) mounting screws and locknuts securing the two (2) tilt slide housing to the upper frame tubes (DETAIL "A").
7. Remove and set aside the two (2) NEW side mounting screws, washers and locknuts from the rear of the ventilator tray.
8. Position the ventilator tray into the base frame as shown in DETAIL "B" of FIGURE 1.

NOTE: Ensure the FRONT of the tray sits flush on the FRONT crossmember.

NOTE: Ensure the CENTER fold of the tray sits flush on the CENTER crossmember.

NOTE: Ensure the side mounting tabs are on the inside of the base frame.

9. Insert the rear ventilator tray crossmember into the ends of the upper frame tubes (DETAIL "A").
10. Secure the rear ventilator tray crossmember and the tilt slide housing to the upper frame tubes with the EXISTING mounting screws and locknuts removed in STEP 6 (DETAIL "A").
11. Secure the FRONT of the ventilator tray to the front crossmember with the EXISTING two (2) mounting screws and locknuts removed in STEP 3 (DETAIL "B").
12. Secure the CENTER fold of the ventilator tray to the CENTER crossmember with the EXISTING two (2) mounting screws and locknuts removed in STEP 4 (DETAIL "B").
13. Secure the side mounting tabs of the ventilator tray to the base frame with the two (2) NEW side mounting screws, washers and locknuts removed in STEP 7 (DETAIL "B").

NOTE: The side mounting tabs should be secured using the mounting hole below the rear upright.

14. Prepare the ventilator tray for use. Refer to USING THE VENTILATOR TRAY in this instruction sheet.

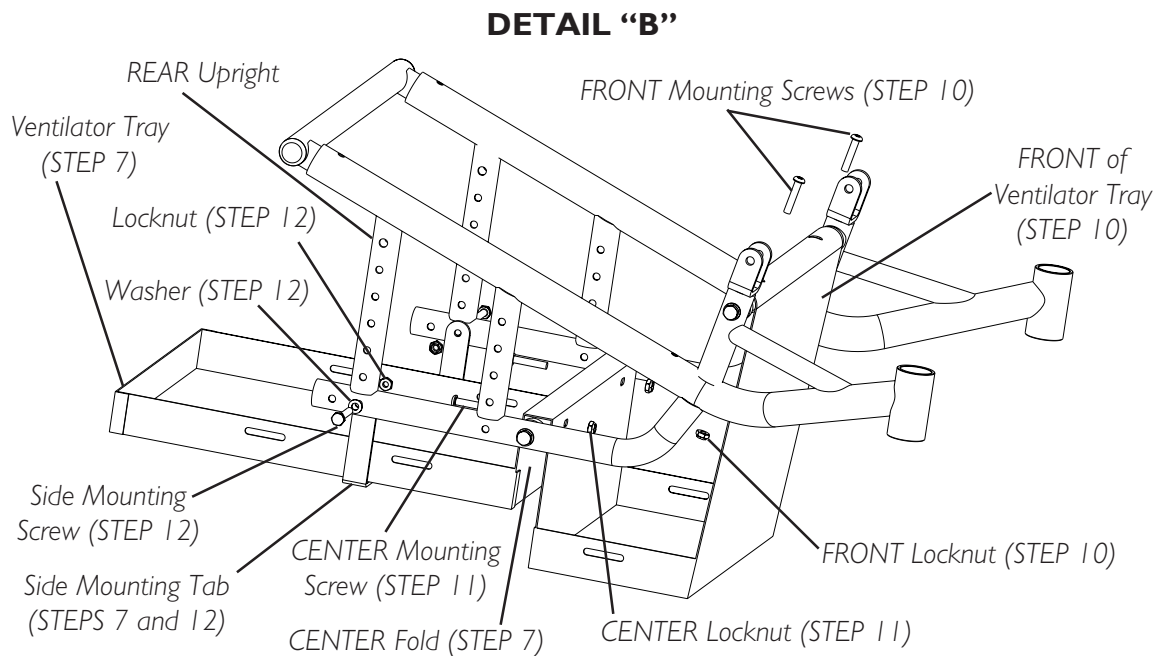
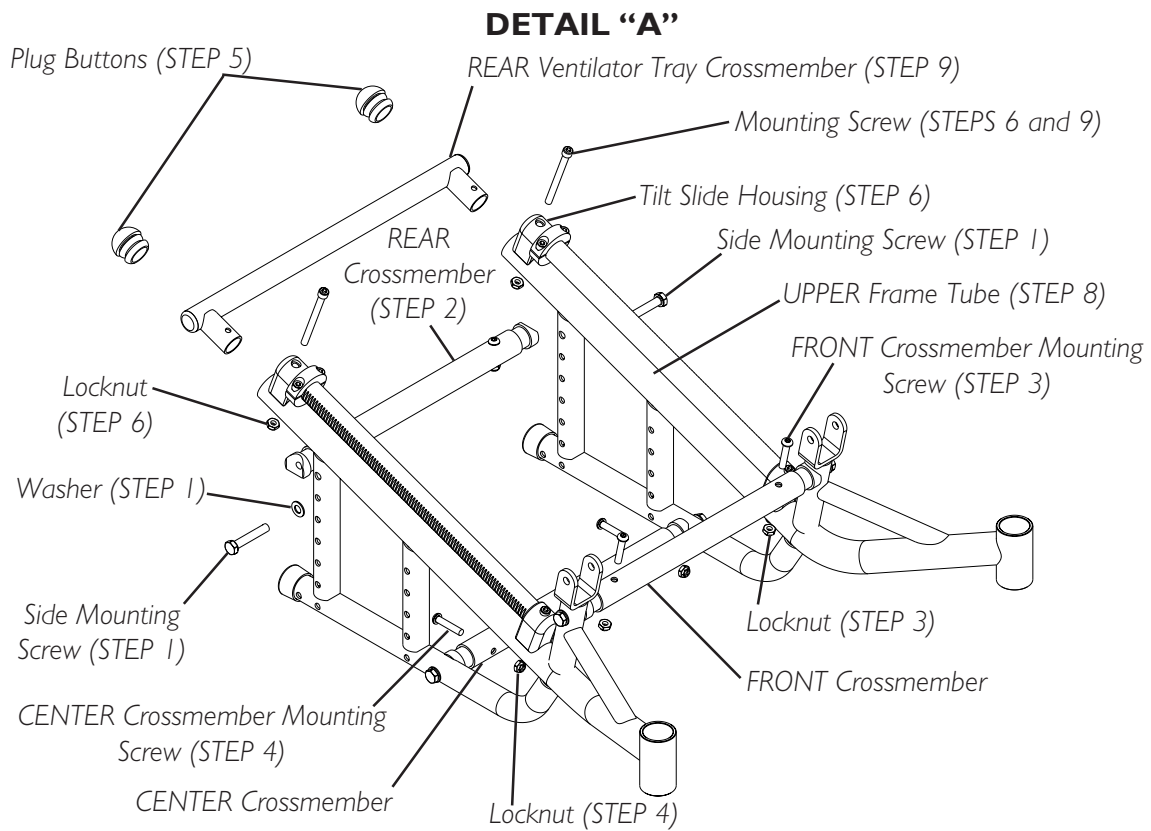


FIGURE I - INSTALLING THE VENTILATOR TRAY

USING THE VENTILATOR TRAY (FIGURE 2)

NOTE: The ventilator tray straps are installed on the ventilator tray before the ventilator tray is shipped.

1. Position all six (6) strap slides on the outside of the ventilator tray.
2. Position the ventilator battery in the front portion of the ventilator tray.
3. Secure the two (2) battery straps around the top of the ventilator battery and clip together.
4. Position the ventilator in the rear portion of the ventilator tray.
5. Secure the four (4) ventilator straps around the top of the ventilator and clip together.
6. Adjust the slides, located in the middle of each strap, up or down to increase or decrease length. See DETAIL "C".
7. Securely tighten the straps around the battery and ventilator by pulling the ends of the straps through the rear portion of each buckle. See DETAIL "D".

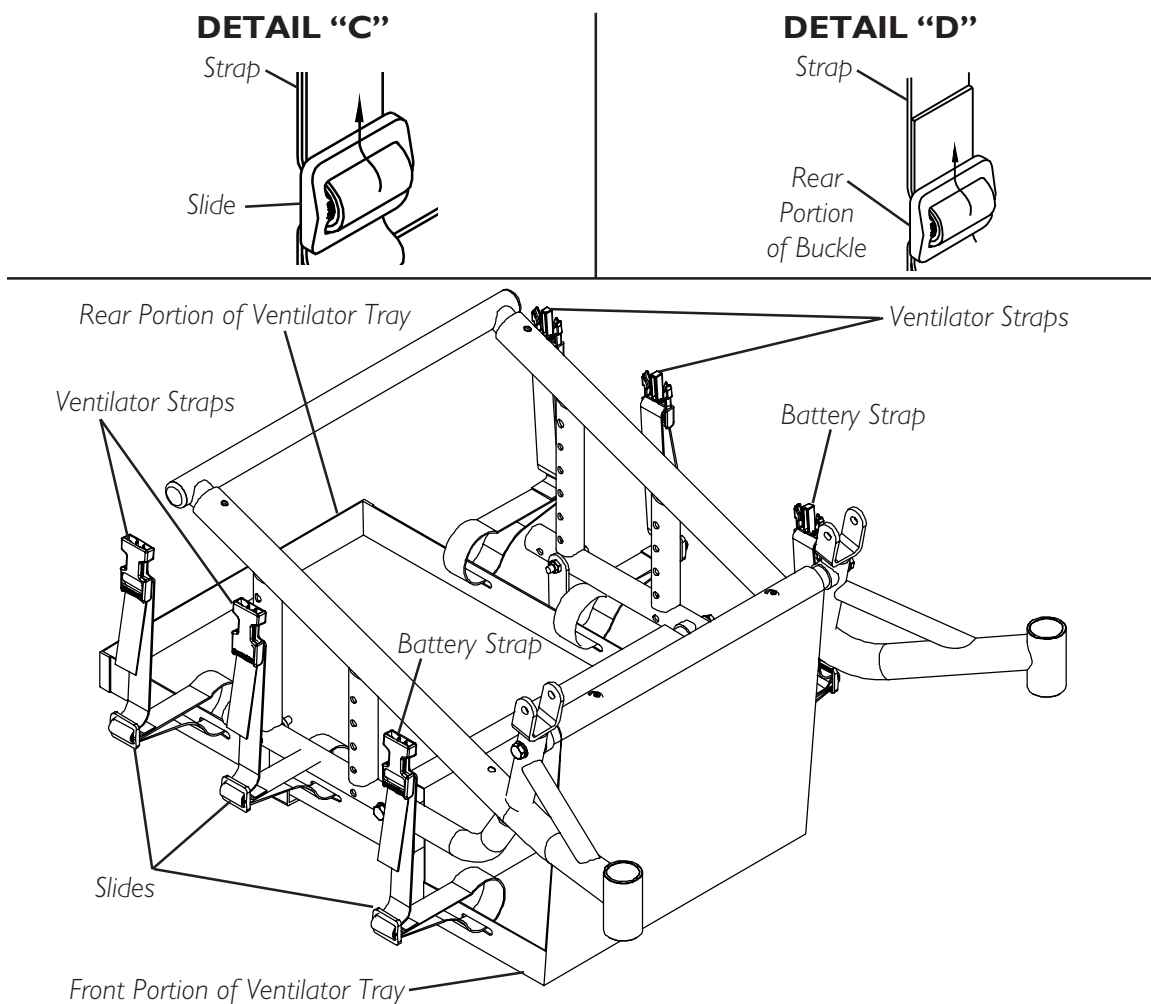


FIGURE 2 - USING THE VENTILATOR TRAY

Invacare Corporation www.invacare.com



Yes, you can.™

USA
One Invacare Way
Elyria, Ohio USA
44036-2125
800-333-6900

Canada
570 Matheson Blvd. E Unit 8
Mississauga Ontario
L4Z4G4 Canada
800-668-5324

Invacare is a registered trademark of Invacare Corporation.
Yes, you can. and Solara jr. are trademarks of Invacare Corporation.
© 2001 Invacare Corporation
Rev A 03/02 Part No. 1106665

Free Manuals Download Website

<http://myh66.com>

<http://usermanuals.us>

<http://www.somanuals.com>

<http://www.4manuals.cc>

<http://www.manual-lib.com>

<http://www.404manual.com>

<http://www.luxmanual.com>

<http://aubethermostatmanual.com>

Golf course search by state

<http://golfingnear.com>

Email search by domain

<http://emailbydomain.com>

Auto manuals search

<http://auto.somanuals.com>

TV manuals search

<http://tv.somanuals.com>