

### SAVE THESE INSTRUCTIONS

*NOTE: Check all parts for shipping damage. In case of damage, DO NOT use. Contact Carrier/Invacare for further instructions.*

### SAFETY SUMMARY

The following recommendations are made for the safe and proper installation and use of the Ventilator Tray:

#### GENERAL WARNINGS

**DO NOT** install this equipment without first reading and understanding this instruction sheet. If you are unable to understand the Warnings, Cautions and Instructions, contact a healthcare professional, dealer or technical personnel if applicable, before attempting to install this equipment - otherwise, injury or damage may occur.

*D. Refer to INSTALLING THE VENTILATOR ARMS ONTO THE VENTILATOR TRAY/CHAIR FRAME in this Instruction Sheet.*

### INSTALLATION WARNINGS

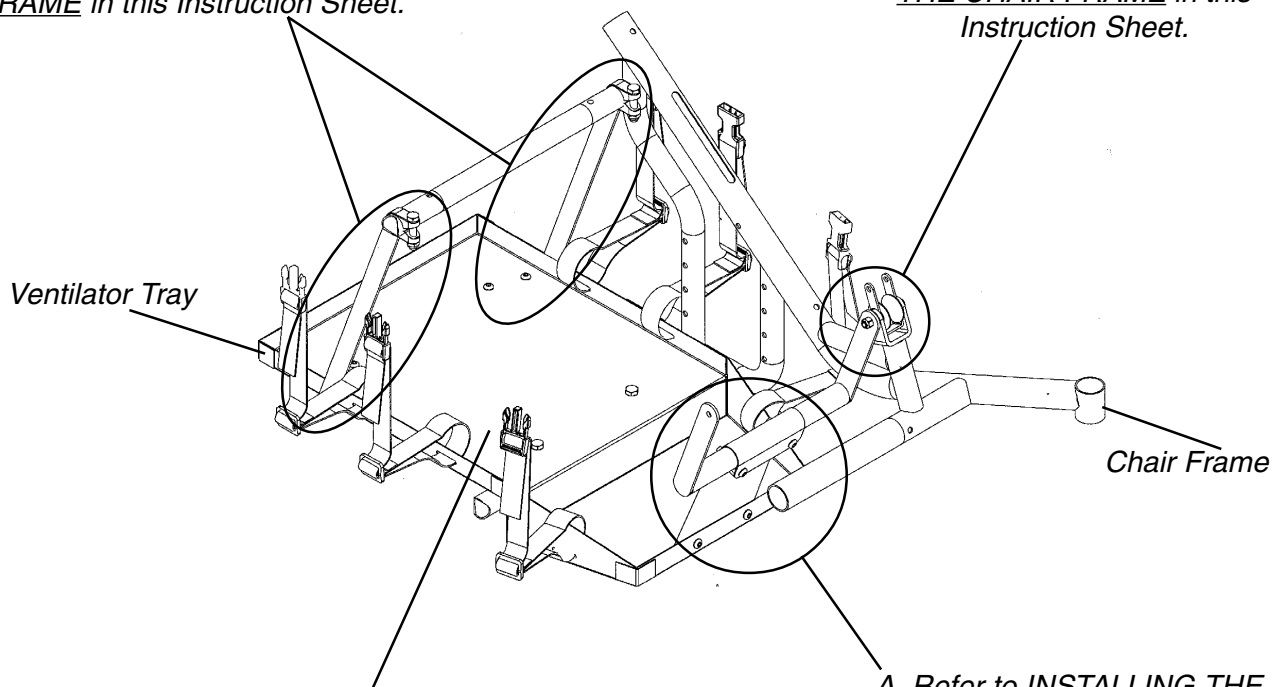
After ANY adjustments, repair or service and BEFORE use, make sure that all attaching hardware is tightened securely.

### INSTALLING THE VENTILATOR TRAY (FIGURE 1)

*NOTE: Refer to the following diagram for the proper location of the ventilator tray attachment points.*

1. Attach the ventilator tray components in the following order:
  - A. Install the ventilator tray hanger bracket onto the ventilator tray.
  - B. Install the ventilator brace onto the chair frame.
  - C. Install the ventilator tray onto the chair frame.
  - D. Install the ventilator arms onto the ventilator tray/ chair frame.

*B. Refer to INSTALLING THE VENTILATOR BRACE ONTO THE CHAIR FRAME in this Instruction Sheet.*



*C. Refer to INSTALLING THE VENTILATOR TRAY ONTO THE CHAIR FRAME in this Instruction Sheet.*

*A. Refer to INSTALLING THE VENTILATOR TRAY HANGER BRACKET ONTO THE VENTILATOR TRAY in this Instruction Sheet.*

**FIGURE 1 - INSTALLING THE VENTILATOR TRAY/ATTACHMENT POINT LOCATIONS**

## Installing The Ventilator Tray Hanger Bracket Onto The Ventilator Tray (FIGURE 2)

1. Align the two (2) mounting holes in the ventilator tray hanger bracket with the two (2) mounting holes in the FRONT of the ventilator tray.
2. Secure the ventilator tray hanger bracket to the ventilator tray using two (2) 1/4 - 20 x 3/8-inch button head screws and self locking nuts. Securely tighten.

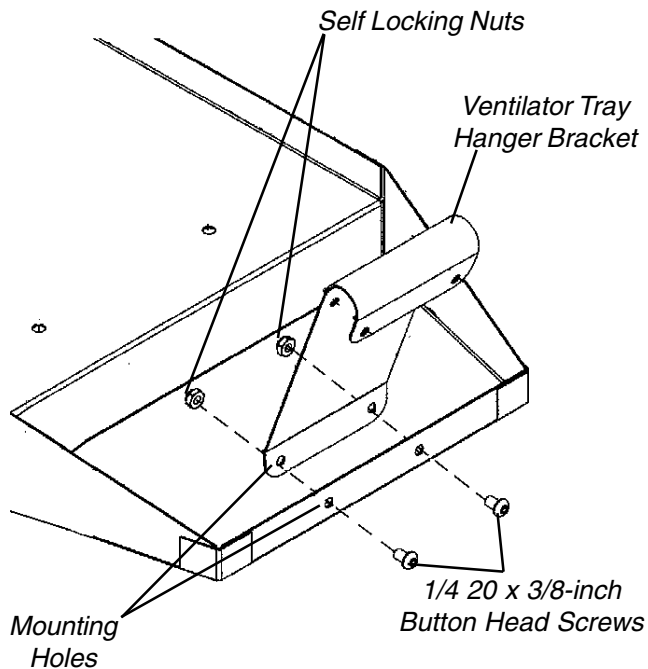


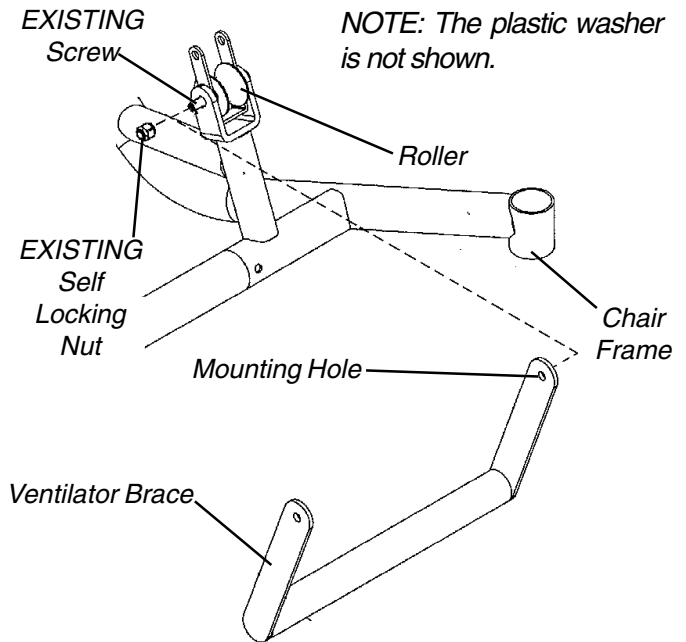
FIGURE 2 - INSTALLING THE VENTILATOR TRAY HANGER BRACKET ONTO THE VENTILATOR TRAY

## Installing The Ventilator Brace Onto The Chair Frame (FIGURE 3)

1. Remove the self locking nut and plastic washer from the screw securing the roller to the chair frame.

*NOTE: Save the EXISTING self locking nut for reuse when installing the ventilator tray. Discard the plastic washer.*

2. Align the mounting hole in the ventilator brace with the EXISTING screw securing the roller to the chair frame.
3. Secure the ventilator brace onto the EXISTING screw using the EXISTING self locking nut. Securely tighten.
4. Repeat STEPS 1 - 3 for the opposite side of the ventilator brace.



*NOTE: Only one side of the ventilator brace attachment shown for clarity.*

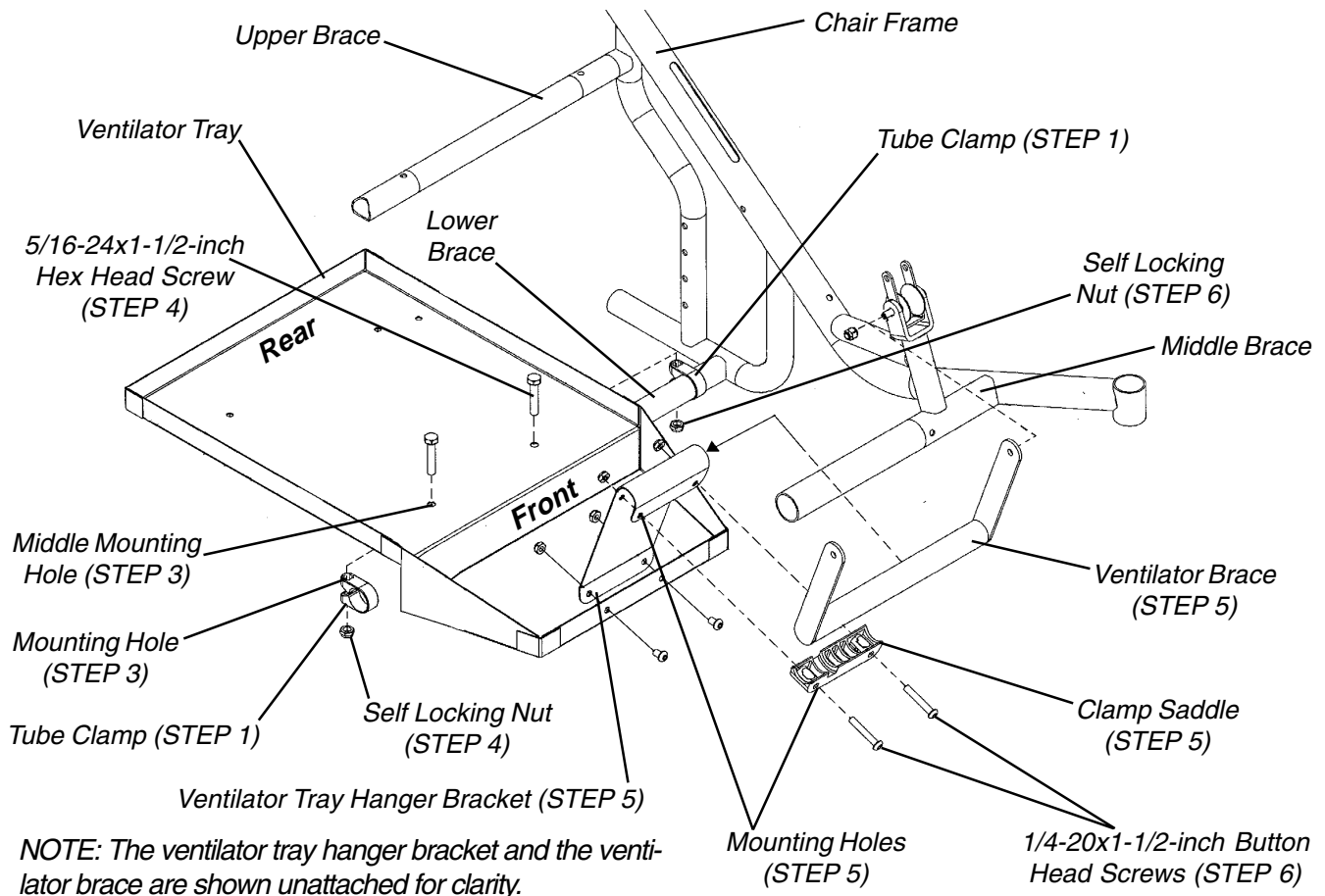
FIGURE 3 - INSTALLING THE VENTILATOR BRACE ONTO THE CHAIR FRAME

## Installing The Ventilator Tray Onto The Chair Frame (FIGURE 4)

1. Position the two (2) tube clamps on the LOWER brace of the chair frame by firmly grasping each tube clamp, and bending it around the LOWER brace of the chair frame.

*NOTE: Be sure the open ends of the tube clamps are facing TOWARD the UPPER brace of the chair frame.*

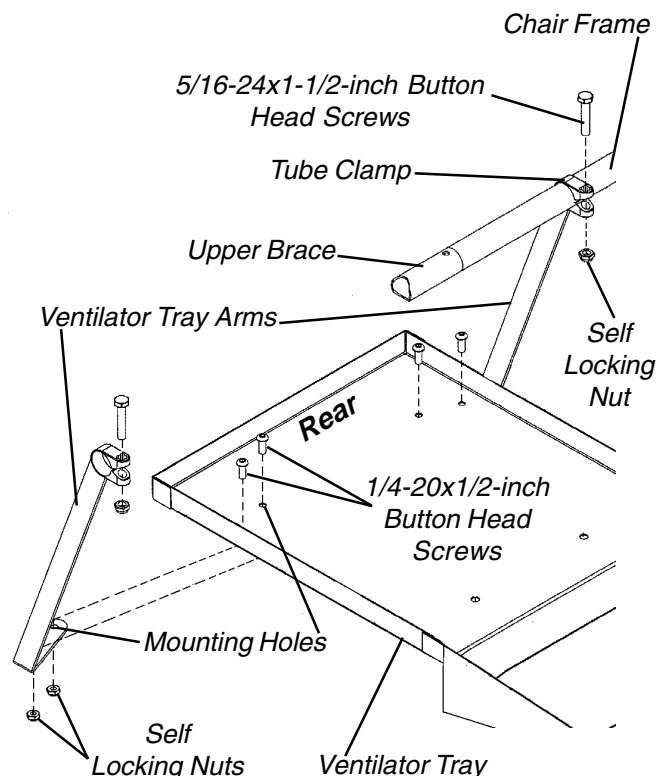
2. Position the ventilator tray between the MIDDLE brace and the LOWER brace of the chair frame, making sure the ventilator brace fits securely in the ventilator tray hanger bracket.
3. Align the two (2) MIDDLE mounting holes of the ventilator tray with the mounting holes in the two (2) tube clamps on the LOWER brace.
4. Secure ventilator tray to the two (2) tube clamps on the LOWER brace using two (2) 5/16 - 24 x 1-1/2-inch hex head screws and self locking nuts. Hand tighten ONLY.
5. Position the clamp saddle under the ventilator tray hanger bracket AND the ventilator brace, making sure the two (2) mounting holes in the clamp saddle align with the two mounting holes in the ventilator hanger bracket.
6. Thread two (2) 1/4 - 20 x 1-1/2-inch button head screws through one side of the ventilator hanger, the clamp saddle and the other side of the ventilator hanger, and secure using two (2) self locking nuts. Hand tighten ONLY.



**FIGURE 4 - INSTALLING THE VENTILATOR TRAY ONTO THE CHAIR FRAME**

### Installing The Ventilator Arms Onto The Ventilator Tray/Chair Frame (FIGURE 5)

1. Position one (1) ventilator tray arm on the UPPER brace of the chair frame by firmly grasping the tube clamp on the top of the ventilator tray arm and bending it around the UPPER brace of the chair frame.
2. Secure the tube clamp on the ventilator tray arm to the UPPER brace of the chair frame using one (1) 5/16 - 24 x 1-1/2-inch hex cap screw and self locking nut. Hand tighten ONLY.
3. Position the LOWER end of the ventilator tray arm UNDER the ventilator tray, making sure the two (2) mounting holes in the LOWER end of the ventilator tray arm align with the two (2) mounting holes in the REAR of the ventilator tray.
4. Secure the ventilator tray arm to the ventilator tray using two (2) 1/4 - 20 x 1/2-inch button head screws and self locking nuts. Hand tighten ONLY.
5. Repeat STEPS 1 - 4 for the other vent tray arm.
6. Securely tighten ALL attaching hardware on the ventilator tray.



**FIGURE 5 - INSTALLING THE VENTILATOR ARMS ONTO THE VENTILATOR TRAY/CHAIR FRAME**

## USING THE VENTILATOR TRAY (FIGURE 6)

*NOTE: The ventilator tray straps are positioned on the ventilator tray BEFORE the ventilator tray is shipped.*

1. Position all six (6) strap slides on the outside of the ventilator tray.
2. Position the ventilator battery in the front portion of the ventilator tray.
3. Secure the two (2) straps around the top of the ventilator battery and clip together.
4. Position the ventilator in the rear portion of the ventilator tray.
5. Secure the four (4) straps around the top of the ventilator and clip together.
6. Adjust the slides, located in the middle of each strap, up or down to increase or decrease length. See DETAIL "J".
7. Securely tighten the straps around the battery and ventilator by pulling the ends of the straps through the rear portion of each buckle DETAIL "K".

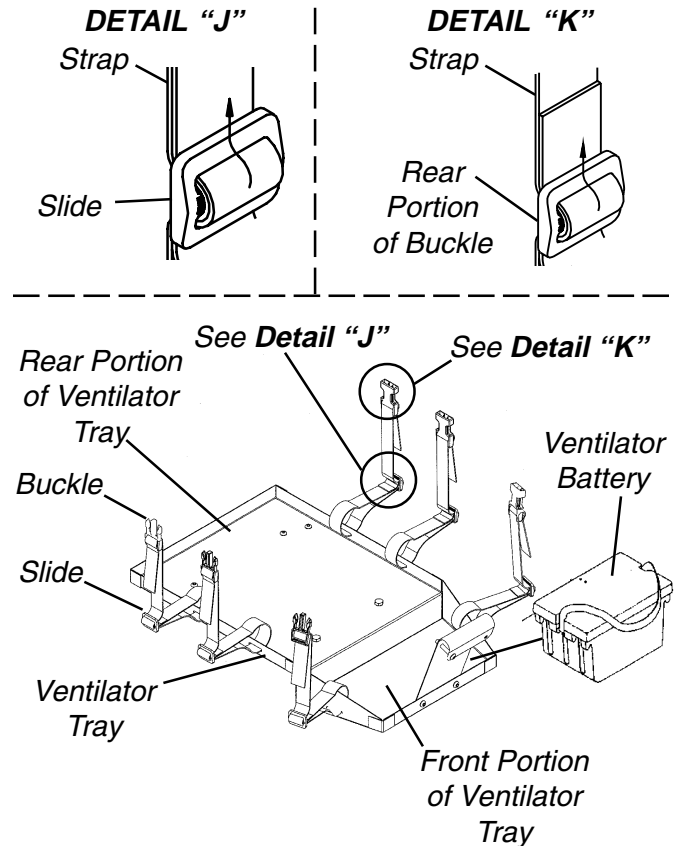


FIGURE 6 - USING THE VENTILATOR TRAY



**Yes, you can.™**

Invacare Corporation

One Invacare Way  
Elyria, Ohio USA  
44036-2125  
800-333-6900

www.invacare.com

Technical Support  
800-832-4707

Invacare and "Yes, you can" are trademarks of Invacare Corporation.

© 2000 Invacare Corporation

Form No. 99-203 Part No. 1093582

Rev B (1) 03/00

## Free Manuals Download Website

<http://myh66.com>

<http://usermanuals.us>

<http://www.somanuals.com>

<http://www.4manuals.cc>

<http://www.manual-lib.com>

<http://www.404manual.com>

<http://www.luxmanual.com>

<http://aubethermostatmanual.com>

Golf course search by state

<http://golfingnear.com>

Email search by domain

<http://emailbydomain.com>

Auto manuals search

<http://auto.somanuals.com>

TV manuals search

<http://tv.somanuals.com>