

**SAVE THESE INSTRUCTIONS**

*NOTE: Check all parts for shipping damage. If damage is found, DO NOT use. Contact Carrier/Invacare for further instructions.*

**SAFETY SUMMARY**

**In order to ensure the safe installation, assembly and operation of the POSEIDON HUMIDIFIER these instructions MUST be followed:**

**CAUTION**

Federal law restricts this device to sale by or on order of a physician, or any other practitioner licensed by the law of the State in which he practices to use or order the use of this device.

The Poseidon humidifier was designed to be used with various CPAP units. **ALWAYS** check with your physician/clinician to determine if it can be used with your sleep unit/flow generator.

**GENERAL WARNINGS**

**DO NOT** install this equipment without first reading and understanding this instruction sheet **AND** your CPAP owner's manual. If you are unable to understand these instructions, contact Invacare technical support at the number listed on the back page before attempting to install this equipment - otherwise, injury or damage may occur. The humidifier is for **SINGLE PERSON USE ONLY**.

This device is not to be used with CPAP flow generators that have automatic pressure titration capabilities.

This device will not alter compliance parameters when operated with a Bi-level or CPAP flow generators.

**DO NOT** allow water from the humidifier to spill through the air tubing into the flow generator as this could result in electrical shock hazard and could result in personal injury or equipment damage. To prevent this:

- DO NOT overfill the humidifier;
- Disconnect the tubing at the flow generator when not in use;
- DO NOT fill the humidifier while it is attached to the flow generator;
- If water does enter the flow generator, switch OFF the power and disconnect the flow generator. Return it to your equipment supplier for evaluation.
- Ensure that all items are properly and securely installed and the humidifier is positioned under the flow generator.

**OVERVIEW OF THE INVACARE POSEIDON HUMIDIFIER**

The Poseidon Humidifier helps alleviate symptoms associated with the use of Continuous Positive Airway Pressure (CPAP) treatment. These symptoms include a dry nose and throat. It is intended for use with Invacare nasal CPAP systems as well as many other manufacturer's CPAP systems.

The Poseidon Humidifier is a container that is filled with water and placed beneath the flow generator. Air from the flow generator passes over the water in the humidifier picking up moisture before delivering it through your nasal cannula/mask. This process helps to relieve irritation of the nose and throat from use of the CPAP system.

**The Poseidon Humidifier Kit Contains:**

DESCRIPTION	QTY.
Humidifier (blue-tinted plastic)	1
Flexible air tubing (short length)	1

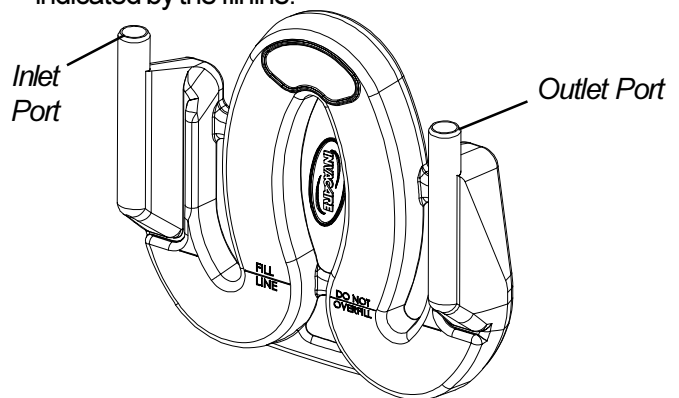
**FILLING THE HUMIDIFIER (FIGURE 1)**

1. Rinse each item of the humidifier kit in clean water and drain completely.

**WARNING**

**DO NOT** overfill the humidifier - otherwise, injury or damage may occur.

2. Holding the humidifier upright, fill the humidifier with distilled or demineralized water through either port to the level indicated by the fill line.



**FIGURE 1 - FILLING THE HUMIDIFIER**

## CONNECTING THE HUMIDIFIER TO THE FLOW GENERATOR (FIGURE 2)

1. Place the humidifier securely on a level surface where it is to be used.
2. Position the flow generator on top of the humidifier between the humidifier ports.
3. Push one (1) end of the shorter tubing onto the flow generator outlet.
4. Push the other end of the shorter tubing onto the humidifier inlet port.
5. Push the longer tubing onto the humidifier outlet port.
6. Attach nasal mask to the other end of the longer tubing. Refer to and follow the instructions supplied with nasal mask.
7. Check that all tubing is securely connected to the humidifier. The humidifier is now ready for use.

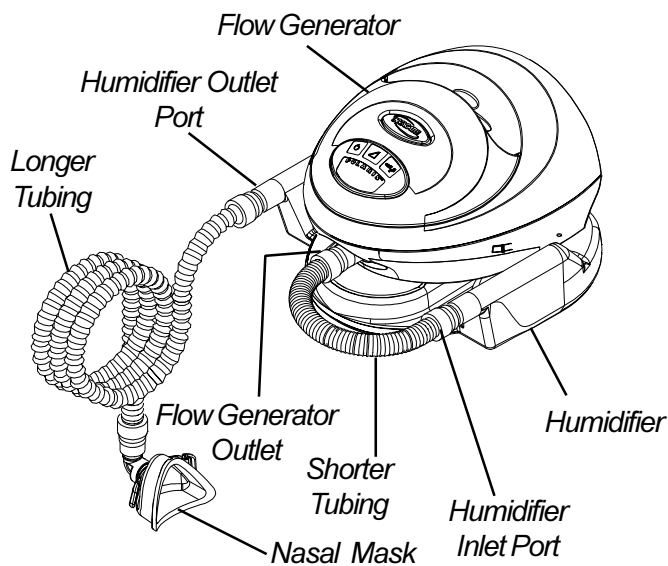


FIGURE 2 - CONNECTING THE HUMIDIFIER TO THE FLOW GENERATOR

## CLEANING AND DISINFECTING

### CAUTION

DO NOT use hot water.

DO NOT use bleach, chlorine-, alcohol-, or aromatic-based solutions on the tubing or connector as these could cause deterioration of the materials.

DO NOT hang the tubing in direct sunlight as the tubing may harden over time and eventually crack.

### Daily

Clean the humidifier daily as follows:

1. Turn the sleep unit/flow generator switch OFF.
2. Disconnect all tubing from the sleep unit/flow generator, humidifier and patient nasal mask.
3. Use a mild detergent and wash the humidifier and tubing in warm water.
4. Partly fill the humidifier and shake vigorously.
5. Rinse thoroughly with clean water and let air dry.

### Weekly

Disinfect the humidifier weekly as follows:

1. Soak the humidifier in a combination of disinfectant solution and cold water for 30 minutes.
2. Rinse thoroughly with clean water and let air dry completely.

### Periodically

### CAUTION

DO NOT mix the vinegar and water solution with the disinfectant solution.

Calcium deposits may build up inside your humidifier over time. Remove periodically as follows:

1. Soak the humidifier and shorter tubing in a solution of one (1) part vinegar and one (1) part warm water for 30 minutes.
2. Rinse thoroughly with clean water until the smell of vinegar has gone. Let air dry completely.
3. Drain any remaining water from the humidifier.

Invacare Corporation [www.invacare.com](http://www.invacare.com)

Respiratory Products  
699 Aero Lane  
Sanford, Florida USA  
32771  
(407) 328-5900

Canada  
5970 Chedworth Way  
Mississauga, Ontario  
L5R 3T9, Canada  
(905) 890-8838

Invacare is a registered trademark of Invacare Corporation.  
Yes, you can. is a trademark of Invacare Corporation.

© 2001 Invacare Corporation  
Form No. 00-142 Part No. 1102385

Rev B (2) 09/01



Yes, you can.®

## Free Manuals Download Website

<http://myh66.com>

<http://usermanuals.us>

<http://www.somanuals.com>

<http://www.4manuals.cc>

<http://www.manual-lib.com>

<http://www.404manual.com>

<http://www.luxmanual.com>

<http://aubethermostatmanual.com>

Golf course search by state

<http://golfingnear.com>

Email search by domain

<http://emailbydomain.com>

Auto manuals search

<http://auto.somanuals.com>

TV manuals search

<http://tv.somanuals.com>