

Solid Seat Installation / Replacement for Model 1000, Tracer LX, Tracer IV, and Tracer EX Wheelchairs



Assembly, Installation and Operating Instructions

Model Nos. 1610, 1610P, 1610N, 1610PN

Yes, you can.™

SAVE THESE INSTRUCTIONS

NOTE: Check all parts for shipping damage before using. In case of damage, DO NOT use the equipment. Contact the Dealer/Carrier for further instructions.

SAFETY SUMMARY

The following recommendations are made for safe installation of the Solid Seat.

GENERAL WARNINGS

DO NOT install or use this equipment without first reading and understanding these instructions. If you are unable to understand the Warnings, Cautions or Instructions, contact a healthcare professional, dealer or technical personnel before attempting to install this equipment - otherwise, injury or damage may occur.

INSTALLATION WARNING

After ANY adjustments, repair or service and BEFORE use, make sure that all attaching hardware is tightened securely.

INSTALLING THE SOLID SEAT - MODEL 1000 AND TRACER LX WHEELCHAIRS ONLY (FIGURES 1-5)

NOTE: If not stated specifically, the procedure refers to both Adult/Hemi, Removable, and Permanent Arm Wheelchairs.

1. Remove wheelchair arms.

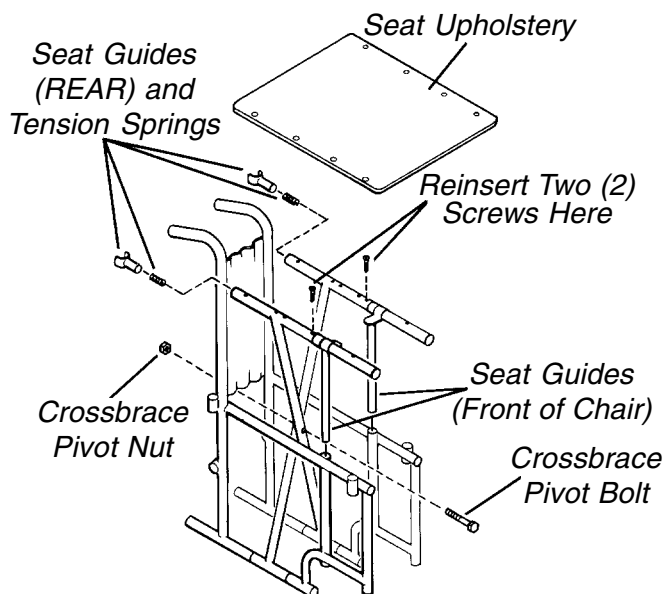
NOTE: Some wheelchairs may have permanent arms.

2. Fold chair.
3. Remove seat upholstery (All Chairs) and reinsert two (2) screws behind the front two (2) spacers on the seat rails (Adult/Hemi Removable Arm) (FIGURE 1).
4. Remove the crossbrace pivot bolt and locknut from crossbrace (FIGURE 1).
5. Lift one (1) seat guide (front of chair) up and out of the side frame (Removable arm only) (FIGURE 1).
6. Remove the rear seat guide and tension spring from the seat rail (FIGURE 1).

NOTE: For Permanent Arm Wheelchairs remove seat guides from front and rear of chair (FIGURE 1).

7. Repeat steps 5 and 6 for opposite side frame.

ADULT/HEMI REMOVABLE ARM WHEELCHAIR



PERMANENT ARM

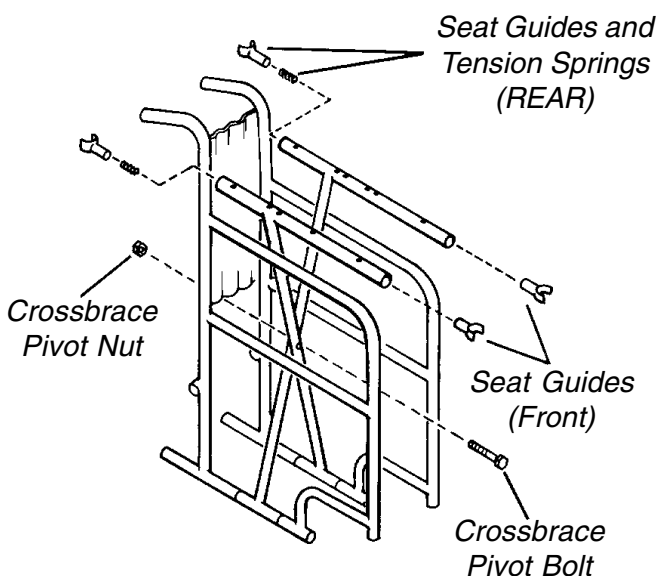
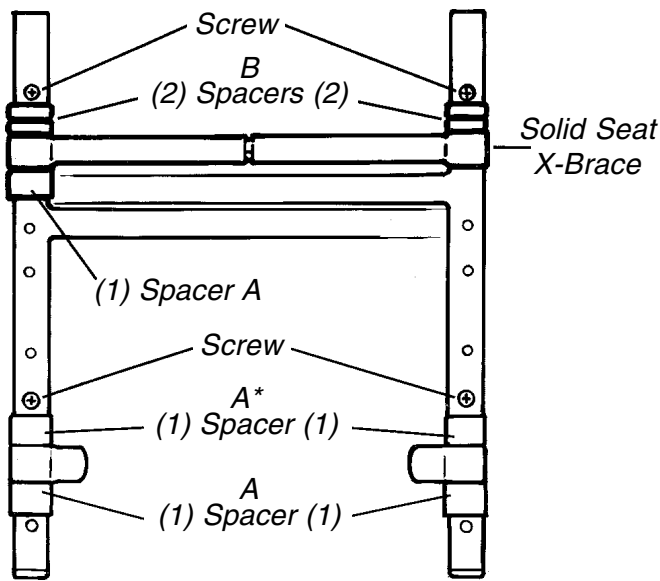
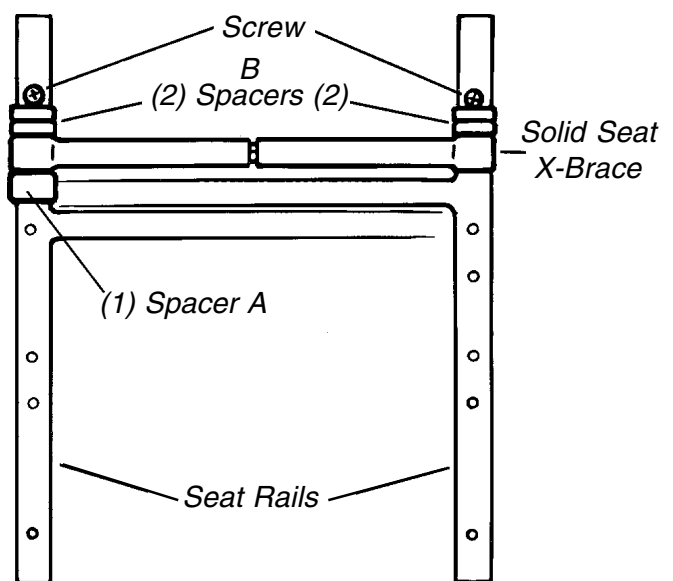


FIGURE 1 - DISASSEMBLY OF THE WHEELCHAIR TO
INSTALL SOLID SEAT



**ADULT REMOVABLE ARM
WHEELCHAIR (REAR)**

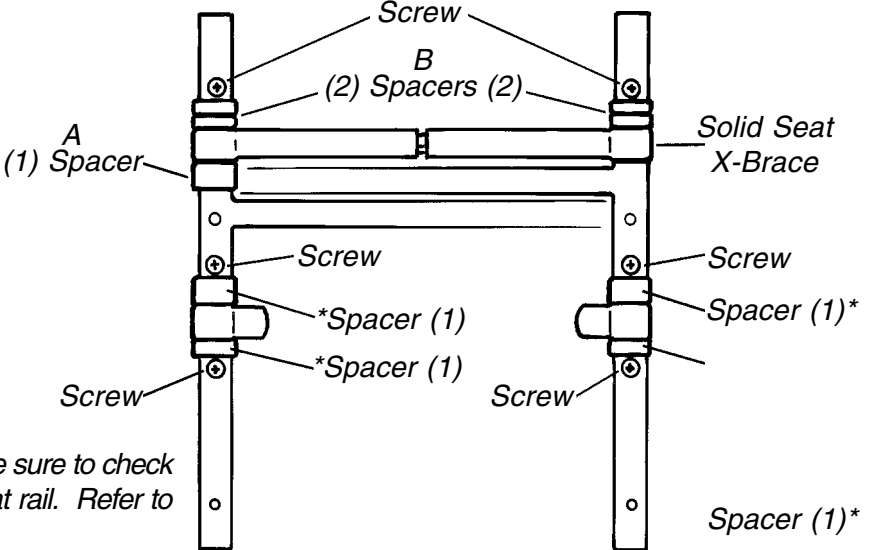


**ADULT/HEMI PERMANENT
ARM
WHEELCHAIR (REAR)**

SPACER LENGTH
 A = 31/32-inch
 B = 7/16-inch
 *NOTE: These are the original spacers and remain on the chair in their current location.

NOTE: Before reassembling the chair, be sure to check the position of all the spacers on the seat rail. Refer to FIGURE 2.

NOTE: Spacer positioning for the removable model is different between Adult and Hemi. Refer to FIGURE 2.



**HEMI REMOVABLE ARM
WHEELCHAIR (REAR)**

FIGURE 2 - SEAT RAIL SPACER POSITION

8. Remove both X-Braces from the solid seat (FIGURE 3).
9. Remove the 5/16-18 x 1-inch bolt and the 5/16-18 locknut that secure the two (2) halves of one (1) X-Brace together. Leave the other X-Brace intact (FIGURE 3).

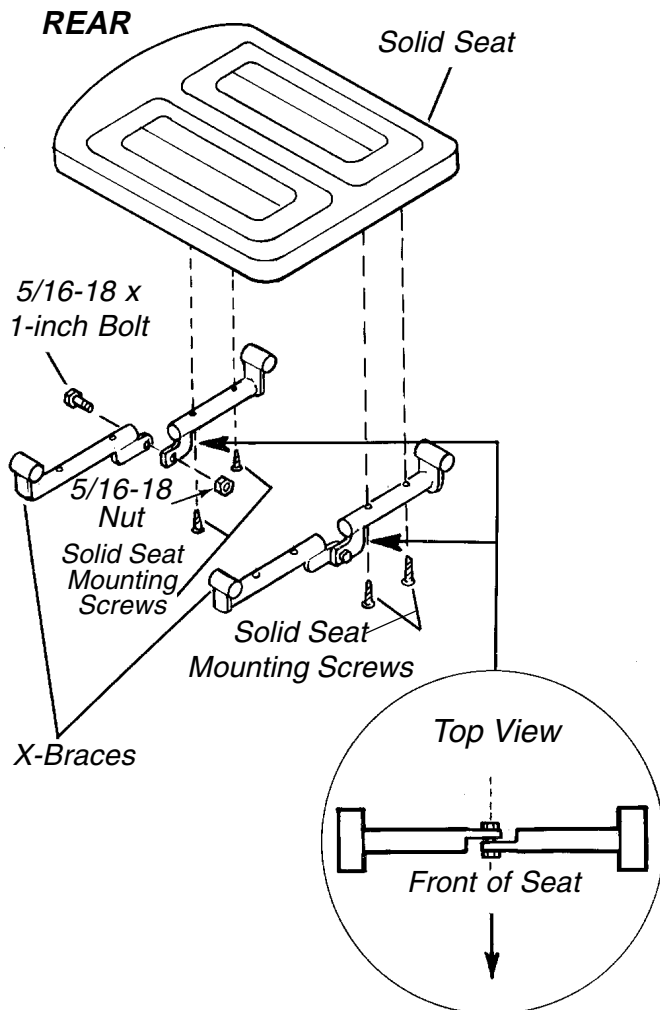


FIGURE 3 - REMOVING THE X-BRACES FROM THE SOLID SEAT

10. Take one (1) half of the X-Brace and slide it over the rear of each seat rail (FIGURE 4).

NOTE: Before reassembling the chair, be sure to check the position of all the spacers on the seat rail. Refer to FIGURE 2.

11. Replace one (1) of the screws in the last upholstery mounting hole on each seat rail (FIGURE 4).

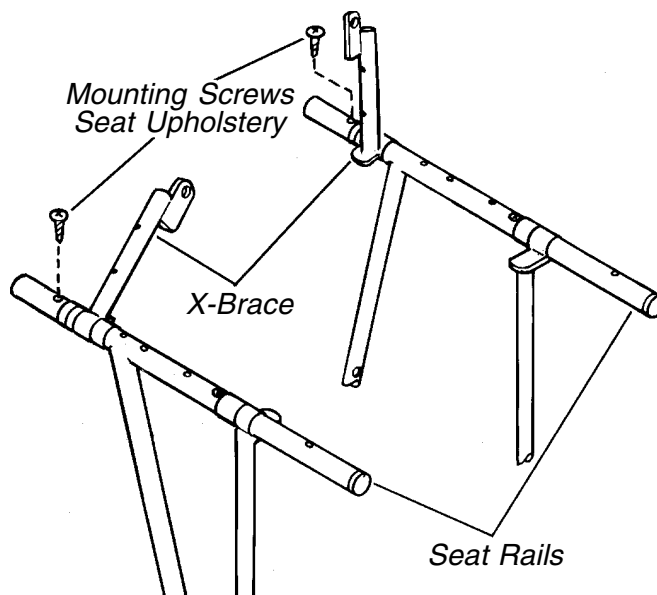


FIGURE 4 - X-BRACE INSTALLATION

12. Replace the tension spring and the seat guide into the seat rails (FIGURE 1).

NOTE: For Permanent Arm Wheelchairs replace seat guides in front and rear of chair (FIGURE 1).

13. Replace the front seat guide into its side frame side frame (Removable Arm ONLY) (FIGURE 1).

14. Reposition rear seat guide in front of the back canes (FIGURE 1).

15. On permanent arm models, front solid seat X-Braces must be installed before front seat guides are in place.

NOTE: On the Permanent Arm Wheelchair, position the front seat guides behind the permanent arms.

16. Repeat this procedure for the opposite seat rail.

NOTE: Before reassembling the chair, be sure to check the position of all the spacers on the seatrail. Refer to FIGURE 2.

17. Replace crossbrace pivot bolt and locknut (FIGURE 1).

NOTE: When tightening the pivot bolt and locking nut make sure that there is only 1/8-inch of thread showing at the end of the pivot bolt.

18. Secure the two (2) sections of the rear solid seat X-Brace together with a 5/16 x 1-inch bolt and nut (FIGURE 3).

NOTE: Tighten bolt and nut on X-Braces enough to minimize side play and still allow X-Braces to pivot when folding the chair.

19. Slide the other X-Brace assembly over the front of the seat rails (FIGURE 5).

20. Secure the seat to the X-Braces with four (4) #10-32 x 1-3/8-inch screws (FIGURE 3).

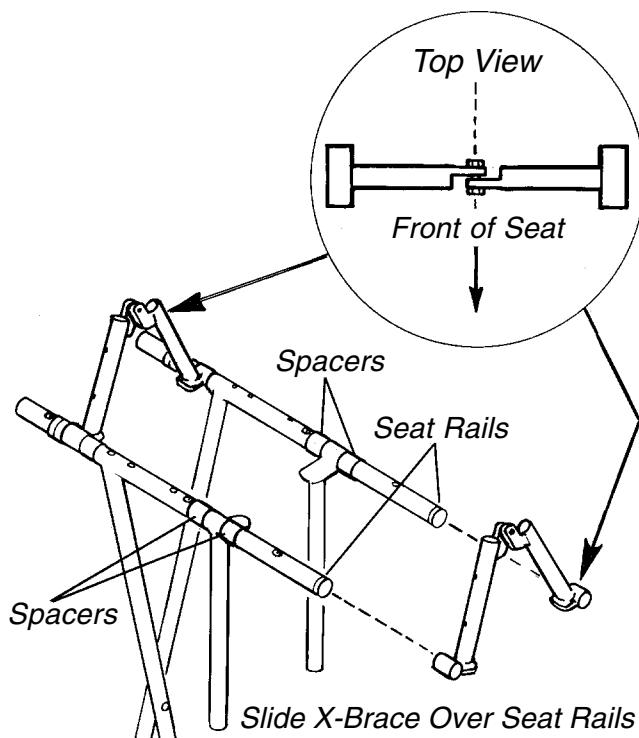


FIGURE 5 - ASSEMBLY OF THE FRONT X-BRACE

INSTALLING THE SOLID SEAT - TRACER IV ONLY (FIGURE 6)

NOTE: Refer to the GENERAL WARNINGS in the SAFETY SUMMARY of this Instruction Sheet.

NOTE: Right and Left sides of the wheelchair are determined from the occupants position.

NOTE: Take note of orientation and position of seat end caps and hardware for reinstallation.

Solid Seat Ordered On Chair (FIGURE 6)

1. Remove the two (2) tap screws that secure the front solid seat braces to the seat rails.
2. Remove the front solid seat braces from the seat rails. Rotate the front solid seat braces upward and reinstall onto the seat rails and secure with the two (2) tap screws provided as shown in DETAIL "A" of FIGURE 6.
3. Remove the two (2) bolts and lock nuts that secure the two (2) right solid seat braces to the two (2) left solid seat braces.
4. Secure the solid seat insert to the two (2) left solid seat brackets with the four (4) long mounting screws.

NOTE: When connecting the right and left solid seat brackets, tighten the bolts and locknuts enough to minimize play, but still allow the solid seat braces to pivot when folding the wheelchair.

5. Secure the two (2) left solid seat braces to the two (2) right solid seat braces with the two (2) bolts and locknuts.

Solid Seat Ordered Off Chair (FIGURE 6)

1. Remove wheelchair arms.
2. Close chair.
3. Remove the ten (10) mounting screws securing the seat upholstery to the seat rails.
4. Remove the two (2) X-brace pivot screws and locknuts from X-brace.
5. Lift one (1) seat rail UP until the two (2) seat guides are clear of the guide tubes.
6. Remove the end cap, rear seat guide and EXISTING spacer. Discard EXISTING spacer.
7. Repeat STEPS 5-6 on remaining seat rail.
8. Slide one (1) NEW short spacer, solid seat brace, rear seat guide, and end cap onto the right seat rail and secure with two (2) tap screw as shown in FIGURE 6.
9. Slide one (1) NEW medium spacer, solid seat brace, rear seat guide, and end cap onto the left seat rail and secure with two (2) tap screw as shown in FIGURE 6.
10. Insert the four (4) seat guides into the four (4) seat guide tubes.

NOTE: Ensure only 1/8-inch of the pivot bolt threads extend beyond the end of the locknut.

11. Reinstall the two (2) X-brace pivot screws and locknuts.
12. Slide a long spacer and solid seat brace onto the right side seat rail and secure with tap screw as shown in FIGURE 6.
13. Slide a long spacer and solid seat brace onto the left side seat rail and secure with tap screw as shown in FIGURE 6.
14. Secure the solid seat insert to the two (2) left solid seat brackets with the four (4) long mounting screws.

NOTE: When connecting the right and left solid seat brackets, tighten the bolts and locknuts enough to minimize play, but still allow the solid seat braces to pivot when folding the wheelchair.

15. Secure the two (2) left solid seat braces to the two (2) right solid seat braces with the two (2) bolts and locknuts.

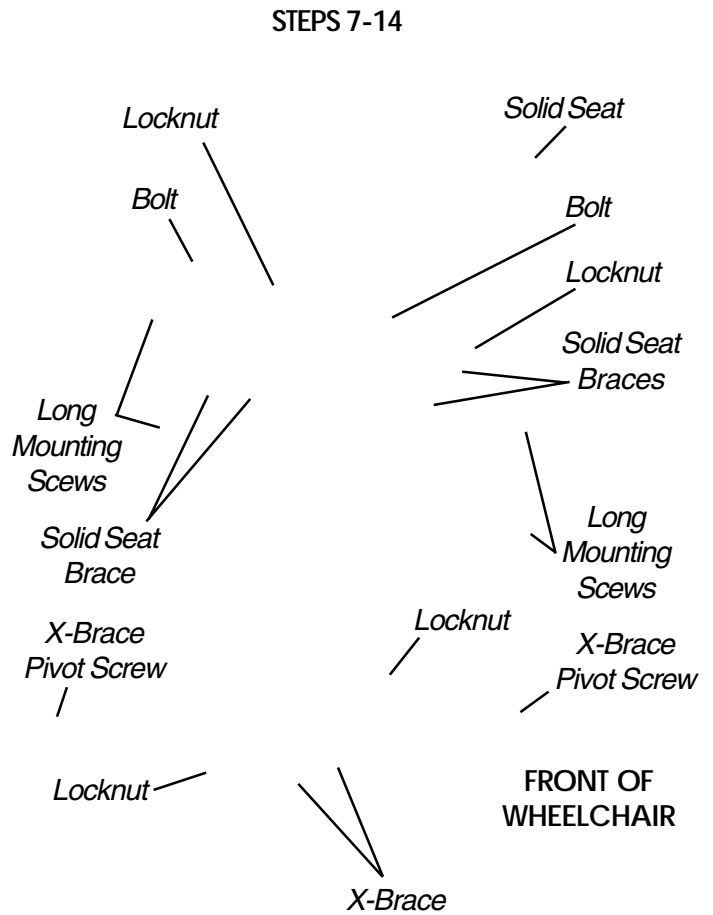
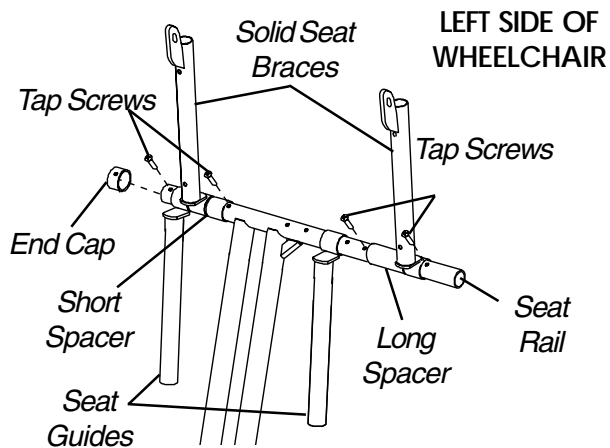
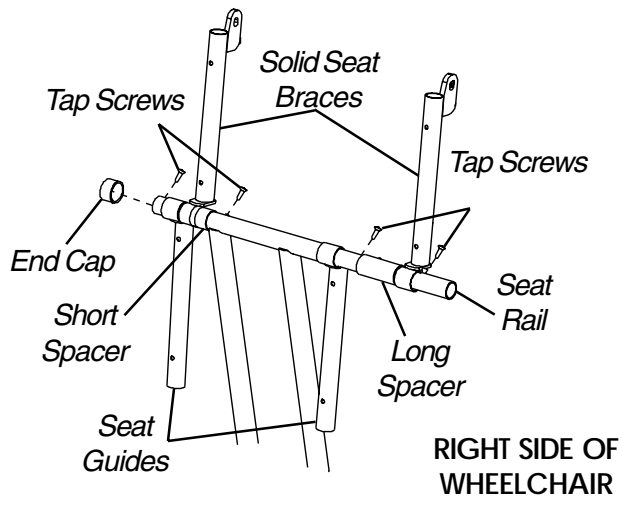
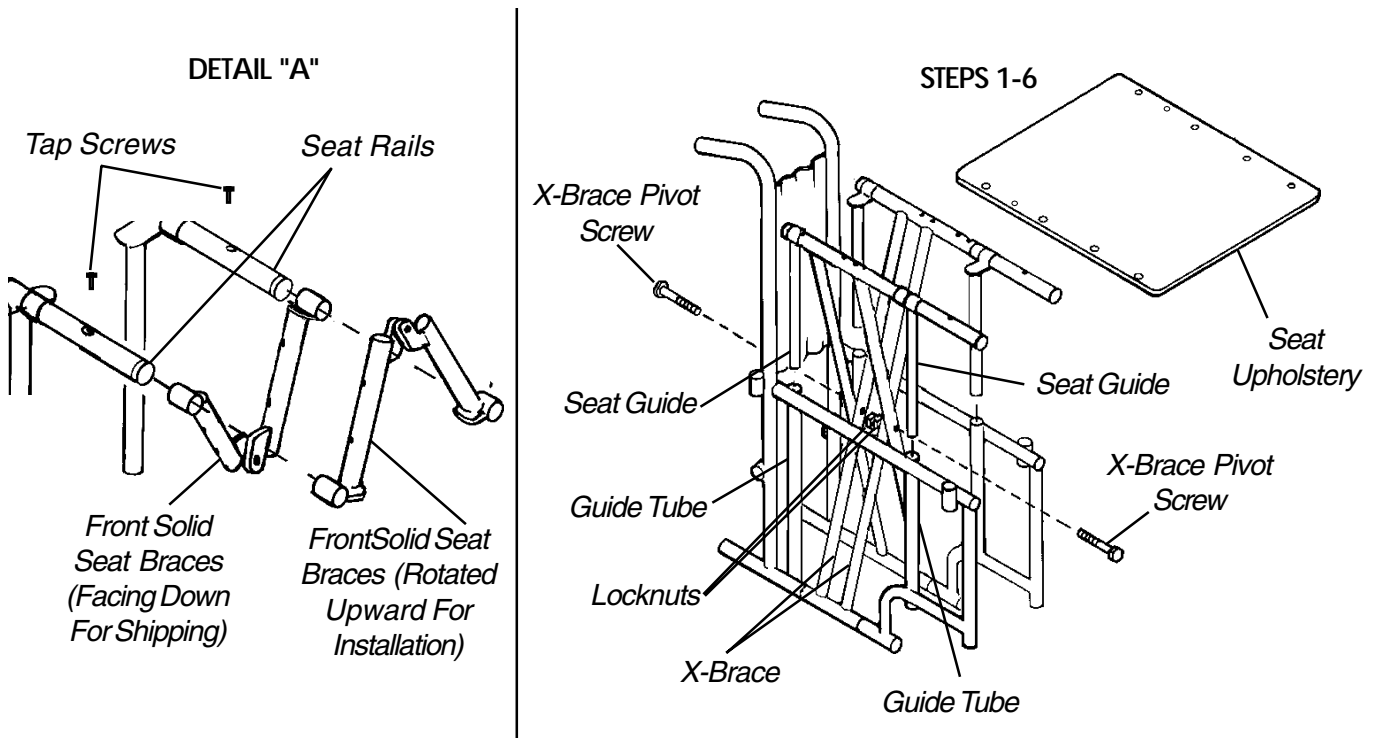


FIGURE 6 - INSERTING THE SOLID SEAT - TRAER IV ONLY

INSTALLING THE SOLID SEAT - TRACER EX ONLY (FIGURE 7)

NOTE: Refer to the GENERAL WARNINGS in the SAFETY SUMMARY of this Instruction Sheet.

NOTE: Right and Left sides of the wheelchair are determined from the occupants position.

NOTE: Take note of orientation and position of seat rear seat guides and hardware for reinstallation.

Solid Seat Ordered On Chair (FIGURE 7)

1. Remove the two (2) tap screws that secure the front solid seat braces to the seat rails.
2. Remove the front solid seat braces from the seat rails. Rotate the front solid seat braces upward and reinstall onto the seat rails and secure with the two (2) tap screws provided as shown in DETAIL "A" of FIGURE 6.
3. Remove the two (2) bolts and lock nuts that secure the two (2) right solid seat braces to the two (2) left solid seat braces.
4. Secure the solid seat insert to the two (2) left solid seat brackets with the four (4) long mounting screws.

NOTE: When connecting the right and left solid seat brackets, tighten the bolts and locknuts enough to minimize play, but still allow the solid seat braces to pivot when folding the wheelchair.

5. Secure the two (2) left solid seat braces to the two (2) right solid seat braces with the two (2) bolts and locknuts.

Solid Seat Ordered Off Chair (FIGURE 7)

1. If equipped with removable arms, remove arms from the wheelchair.
2. Close chair.
3. Remove the eight (8) mounting screws securing the seat upholstery to the seat rails.
4. Remove X-brace pivot screw and locknut from X-brace.
5. Lift one (1) seat rail UP until the seat guide is clear of the guide tube.

6. Perform one of the following:
 - A. Spring loaded seat guide: Remove the rear seat guide and tension spring from the seat rail.
 - B. Plastic seat guide: Firmly grasp the plastic seat guide and pull to remove from the seat rail.
7. Repeat STEPS 5-6 on remaining seat rail.
8. Slide one (1) medium spacer, solid seat bracket and two (2) short spacers onto the right seat rail and secure with tap screw as shown in FIGURE 7.
9. Slide one (1) solid seat brace and two (2) short spacers onto the left seat rail and secure with tap screw as shown in FIGURE 7.
10. Perform one of the following:
 - A. Spring loaded seat guide: Insert the tension spring and the rear seat guide into the seat rail.
 - B. Plastic seat guide: Insert the the plastic seat guide into the seat rail.
11. Insert the two (2) seat guides in to the two (2) seat guide tubes.

NOTE: Ensure only 1/8-inch of the pivot bolt threads extend beyond the end of the locknut.

12. Reinstall the X-brace pivot screw and locknuts.
13. Slide a long spacer and solid seat brace onto the right side seat rail and secure with a tap screws as shown in FIGURE 7.
14. Slide a long spacer and solid seat brace onto the left side seat rail and secure with a tap screws as shown in FIGURE 7.
15. Secure the solid seat insert to the two (2) left solid seat brackets with the four (4) long mounting screws.

NOTE: When connecting the right and left solid seat brackets, tighten the bolts and locknuts enough to minimize play, but still allow the solid seat braces to pivot when folding the wheelchair.

16. Secure the two (2) left solid seat braces to the two (2) right solid seat braces with the two (2) bolts and locknuts.

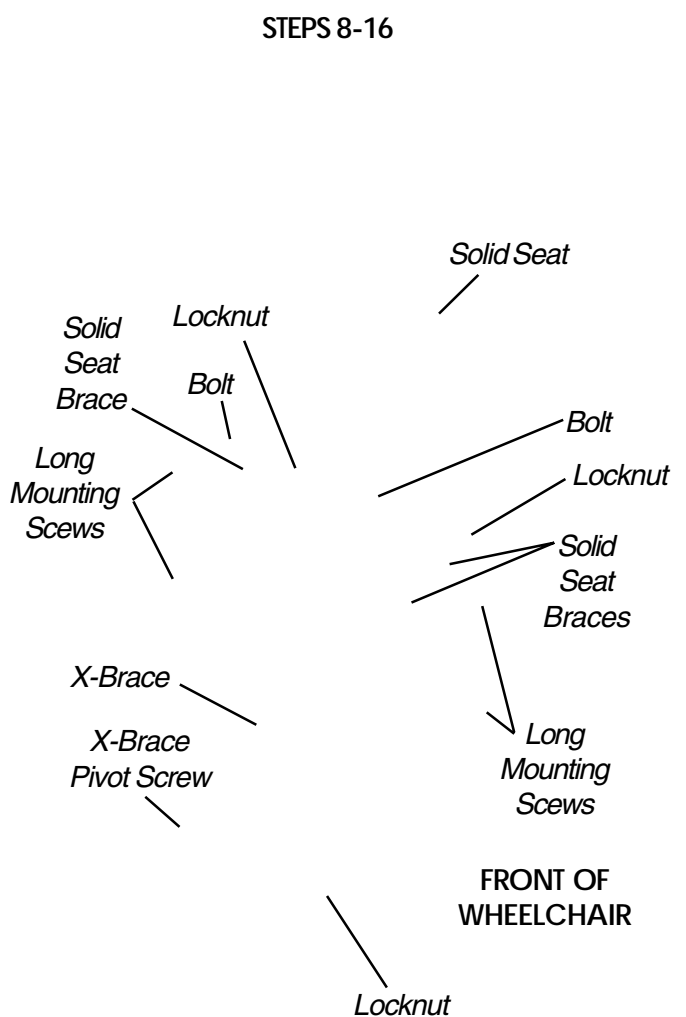
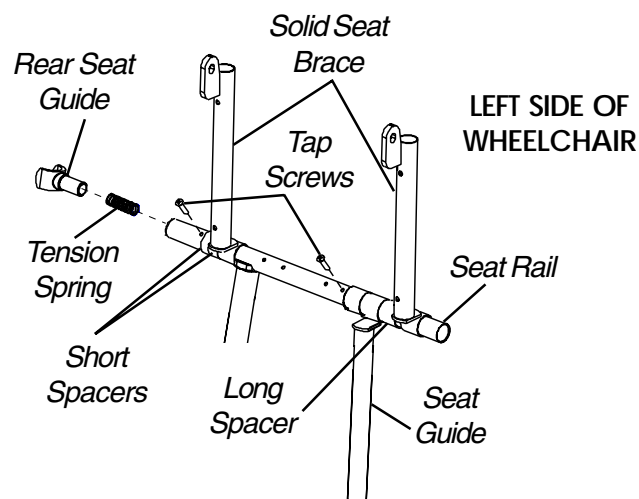
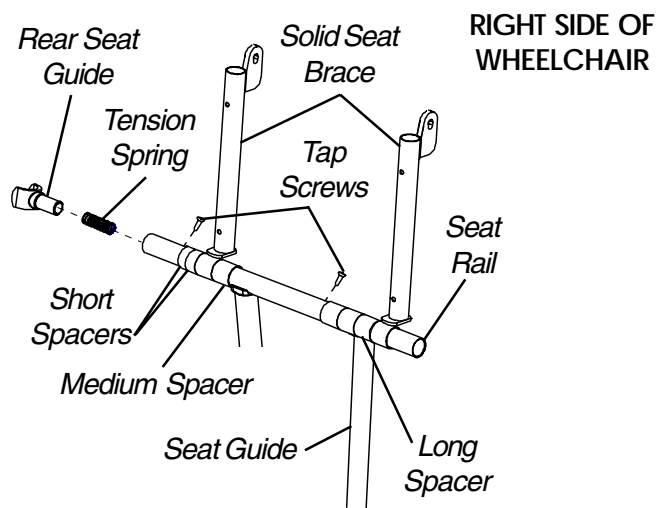
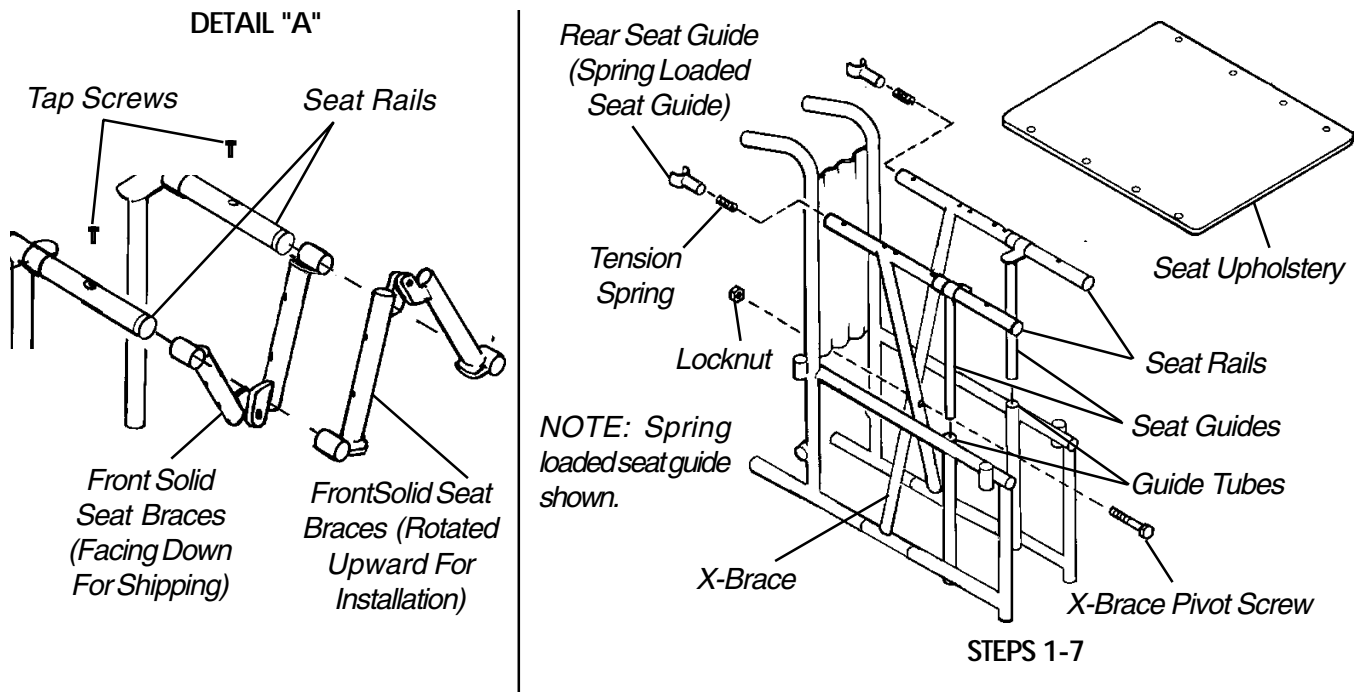


FIGURE 7 - INSTALLING THE SOLID SEAT - TRACER EX ONLY



Yes, you can.™

Invacare Corporation

www.invacare.com

USA
One Invacare Way
Elyria, Ohio USA
44036-2125
800-333-6900

Canada
5970 Chedworth Way
Mississauga, Ontario
L5R 3T9, Canada
905-890-8838

Invacare® and Yes, you can. are trademarks of Invacare Corporation.

© 2001 Invacare Corporation
Form No. 92-132 Part No. 1036813 Rev C (1) 1/01

Free Manuals Download Website

<http://myh66.com>

<http://usermanuals.us>

<http://www.somanuals.com>

<http://www.4manuals.cc>

<http://www.manual-lib.com>

<http://www.404manual.com>

<http://www.luxmanual.com>

<http://aubethermostatmanual.com>

Golf course search by state

<http://golfingnear.com>

Email search by domain

<http://emailbydomain.com>

Auto manuals search

<http://auto.somanuals.com>

TV manuals search

<http://tv.somanuals.com>