

PATIENT OPERATED WHEEL LOCKS FOR 2000/4000 RECLINER WHEELCHAIRS KIT NUMBERS 1034177



Installation, Assembly and Operating Instructions

NOTE: Check ALL parts for shipping damage. In case of shipping damage, DO NOT use. Contact Carrier/Dealer for further instruction.

SAFETY SUMMARY

The following recommendations are made for safe installation and adjustment of the Patient Operated Wheel Locks:

GENERAL WARNINGS

DO NOT install or use this kit without first reading and understanding this instruction sheet. If you are unable to understand the Warnings, Cautions or Instructions, contact a healthcare professional, dealer or technical personnel before attempting to install this kit - otherwise, injury or damage may occur.

INSTALLATION WARNINGS

After making adjustments and BEFORE use, make sure all attaching hardware is securely tightened.

INSTALLATION CAUTIONS

When securing the strap and stud assembly to the pivot arm assembly, DO NOT overtighten the attaching hardware.

REPLACING THE PATIENT OPERATED WHEEL LOCKS (FIGURE 1)

*NOTE: Refer to **INSTALLATION WARNINGS and CAUTIONS** in the **SAFETY SUMMARY** in this instruction sheet.*

*NOTE: If converting from attendant operated wheel lock, refer to **CONVERTING FROM ATTENDANT OPERATED WHEEL LOCKS** in this instruction sheet.*

1. Remove the axle mounting screw and locknut that secure the rear portion of the existing patient operated wheel lock, pivot arm spacer and rear wheel to the wheelchair frame.
2. Remove the existing 2-inch mounting screw, bushing, thin washer, and locknut that secure the existing strap and stud assembly to the wheelchair frame. Refer to **DETAIL "A"** in **FIGURE 1**.
3. Remove the existing tube clamp from the wheelchair frame.
4. Install the plug button into end of the NEW pivot arm assembly.
5. Insert the NEW strap and stud assembly through the pivot arm assembly and secure with locknut.
6. Install the NEW tube clamp over the frame and measure 4-3/16-inches from the back tube of the frame assembly to the center of the tube clamp.
7. Insert the NEW 2-inch mounting screw through the NEW tube clamp, bushing, strap/stud assembly and thin washer.
8. Install locknut onto 2-inch mounting screw. Tighten until snug fit is obtained.
9. Insert the pivot arm spacer into the end of the NEW pivot arm assembly.
10. Insert the existing axle mounting screw through the rear wheel, pivot arm spacer, NEW pivot arm assembly and axle lug.
11. Install locknut onto axle mounting screw. Securely tighten.
12. Attach the wheel lock assembly to the NEW pivot arm assembly by using the 3/4-inch mounting screw and heavy washer.
13. Repeat **STEPS 1-12** for opposite wheel lock.
14. Adjust the wheel locks. Refer to **ADJUSTING THE PATIENT OPERATED WHEEL LOCKS** in this instruction sheet.

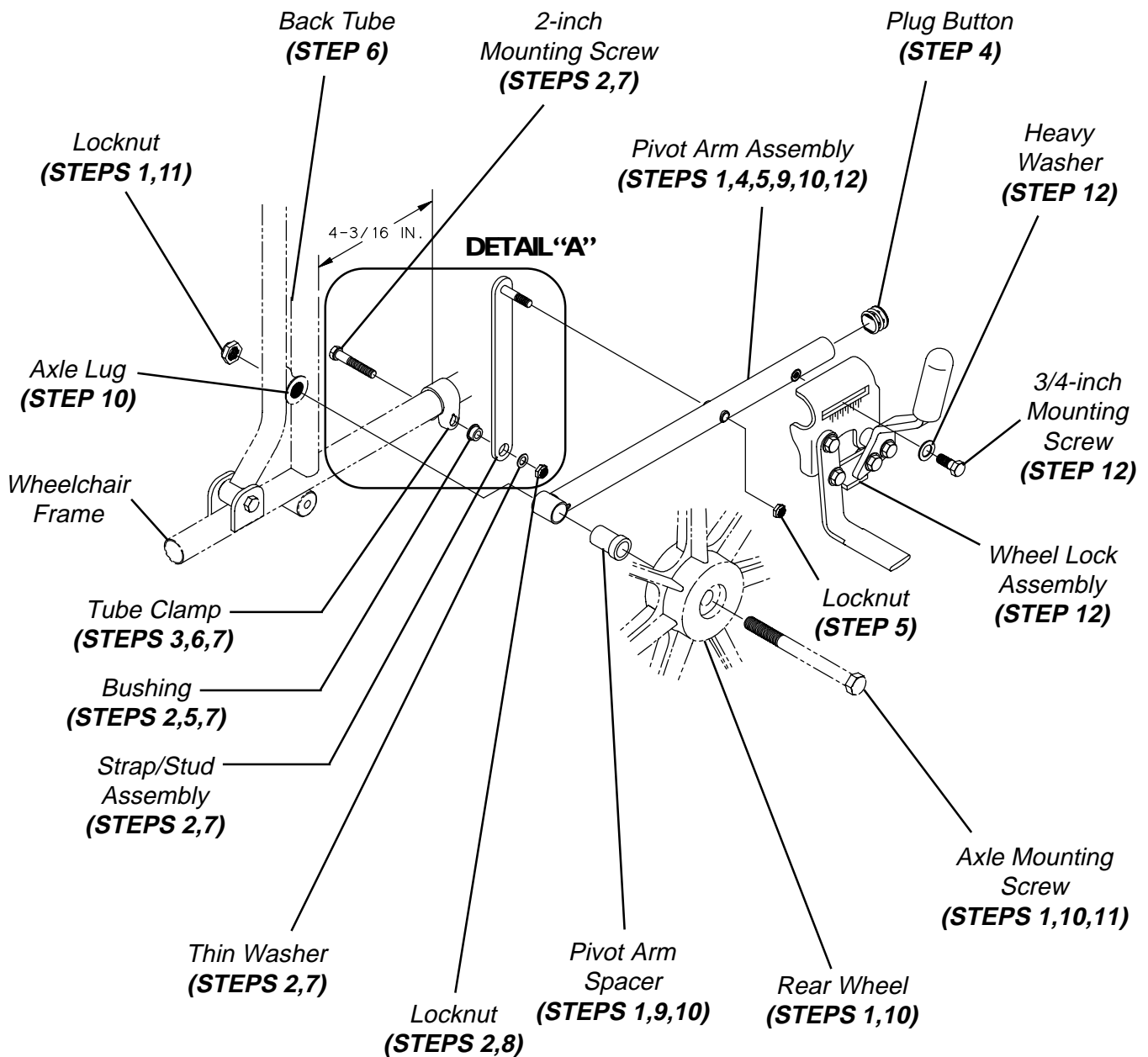


FIGURE I - REPLACING THE PATIENT OPERATED WHEELLOCKS

ADJUSTING THE PATIENT OPERATED WHEEL LOCKS (FIGURE 2)

*NOTE: Refer to **INSTALLATION WARNINGS** in the **SAFETY SUMMARY** in this instruction sheet.*

NOTE: If wheels are pneumatic, before adjusting or replacing the wheel lock assemblies, ensure that the tires are inflated to the recommended psi on the side wall of tire. The recommended tire pressure is located on the side wall of the tire.

1. Loosen the bolt and locknut that secure the wheel lock assembly to the wheelchair frame.
2. Adjust the position of wheel lock until the measurement between the rear wheel and the wheel lock shoe is between 5/32 and 5/16-inches.
3. Securely tighten the bolt and locknut.
4. Engage wheel lock and ensure the wheelchair holds its position.
5. Repeat the above procedures until the wheel lock holds the wheelchair.
6. Repeat **STEPS 1-5** for the opposite wheel lock.

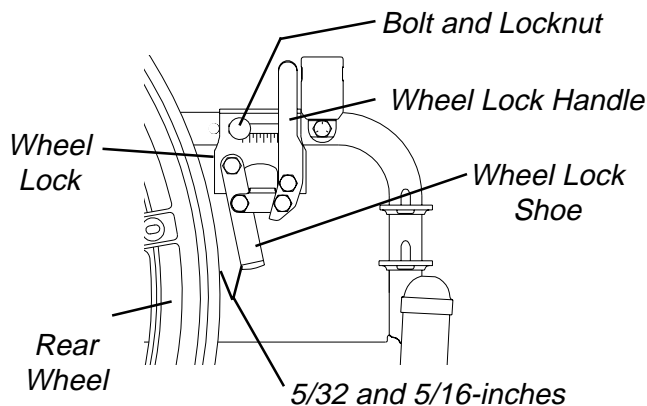


FIGURE 2-ADJUSTING THE PATIENT OPERATED WHEEL LOCKS

USING THE PATIENT OPERATED THE WHEEL LOCKS (FIGURE 3)

WARNING

DO NOT attempt to stop a moving wheelchair with the wheel locks. **WHEEL LOCKS ARE NOT BRAKES.**

1. Ensure the wheelchair is not moving before engaging the wheel locks.
2. Perform one (1) of the following:
 - A. **Push-to-Lock** - To engage, push the wheel lock handle forward.
 - B. **Pull-to-Lock** - To engage, pull the wheel lock handle backward.
3. Disengage the wheel locks by reversing **STEP 2**.

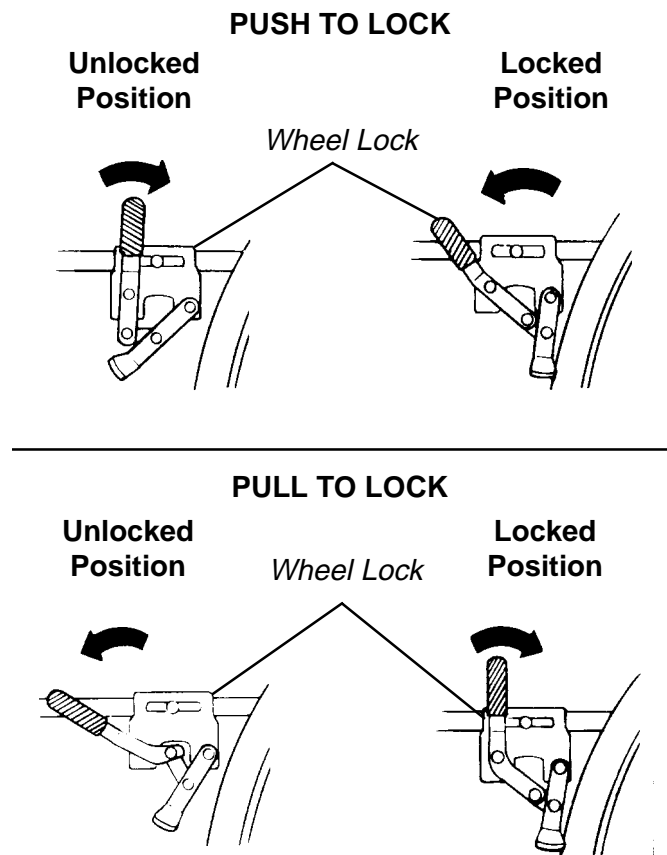


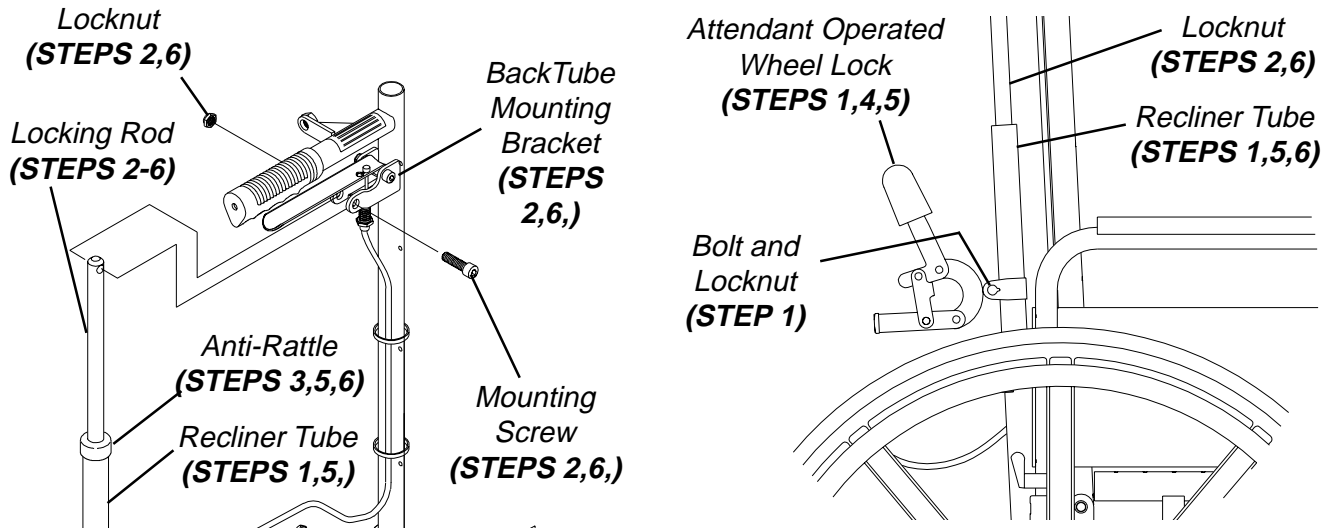
FIGURE 3-USING THE PATIENT OPERATED WHEEL LOCKS

CONVERTING FROM ATTENDANT OPERATED WHEEL LOCKS (FIGURE 4)

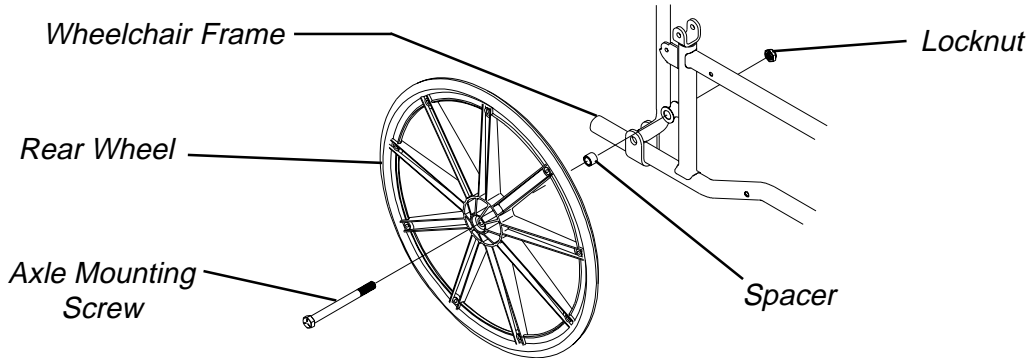
*NOTE: Refer to **INSTALLATION WARNINGS and CAUTIONS** in the **SAFETY SUMMARY** in this instruction sheet.*

1. Loosen the bolt and locknut that secures the attendant operated wheel lock to the recliner tube.
2. Remove the mounting screw and locknut that secures the locking rod to the back tube mounting bracket.
3. Slide anti-rattle up and off of locking rod.
4. Slide the attendant operated wheel lock up and off of the locking rod.
5. Reposition anti-rattle on top of recliner tube.
6. Resecure the locking rod to the back tube mounting bracket with the existing mounting screw and locknut. Securely tighten.
7. Remove the axle mounting screw and locknut the secure the spacer and rear wheel to the wheelchair frame.
8. Install the plug button into end of pivot arm assembly.
9. Insert the strap and stud assembly through the pivot arm assembly and secure with locknut.
10. Install the tube clamp over the frame and measure 4-3/16-inches from the back tube of the frame assembly to the center of the tube clamp.
11. Insert the 2-inch mounting screw through the tube clamp, bushing, strap/stud assembly and thin washer. Secure with locknut.
12. Insert the pivot arm spacer into pivot arm assembly.
13. Insert the axle mounting screw through the rear wheel, pivot arm spacer, pivot arm assembly and axle lug.
14. Install locknut onto axle mounting screw and securely tighten.
15. Attach the wheel lock assembly to the pivot arm assembly by using the 3/4-inch mounting screw and thin washer.
16. Repeat **STEPS 1-15** for opposite wheel lock.
17. Adjust the wheel locks. Refer to **ADJUSTING THE PATIENT OPERATED WHEEL LOCKS** in this instruction sheet.

STEPS 1-6



STEP 7



STEPS 8-16

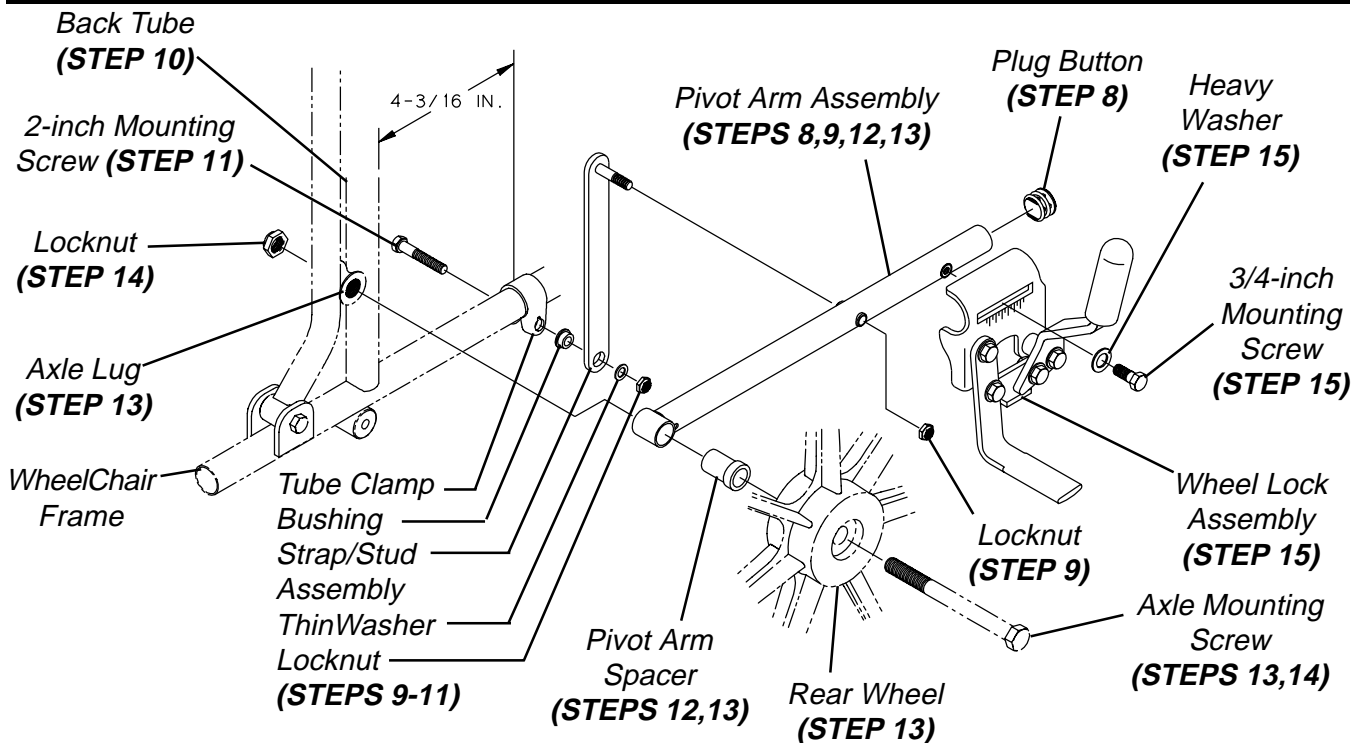
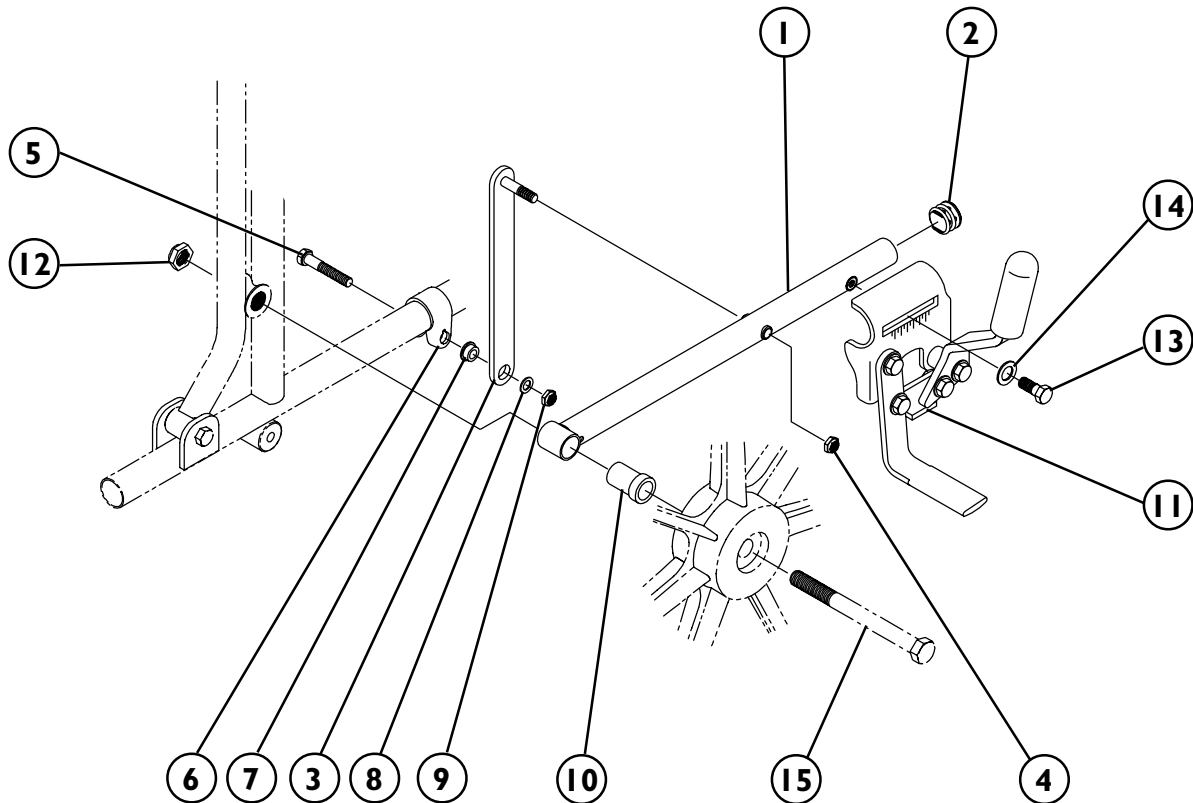


FIGURE4-CONVERTINGFROMATTENDANT OPERATED WHEELLOCKS

PARTS LIST

ITEM	DESCRIPTION	QTY
1	Pivot Arm Assembly	2
2	Plug Button	2
3	Strap and Stud Assembly	2
4	Locknut	2
5	5/16-24x2-inch Mntg Screw	2
6	Tube Clamp	2
7	Bushing	2
8	Thin Washer	2
9	Locknut	2
10	Pivot Arm Spacer	2
11	Wheel Lock Assembly	2
12	Axle Locknut	2
13	3/4-inch Mntg Screw	2
14	Washer (Heavy)	2
15	Axle Mounting Screw	2





INVACARE CORPORATION • ONE INVACARE WAY • P.O. Box 4028 • Elyria, Ohio 44036-2125
• Phone 1-(800)-333-6900

Form No. 94-170

Part No. 1052754

Rev. (1) - 3/98

Printed in U.S.A.

Download from www.Somanuals.com. All Manuals Search And Download.

Free Manuals Download Website

<http://myh66.com>

<http://usermanuals.us>

<http://www.somanuals.com>

<http://www.4manuals.cc>

<http://www.manual-lib.com>

<http://www.404manual.com>

<http://www.luxmanual.com>

<http://aubethermostatmanual.com>

Golf course search by state

<http://golfingnear.com>

Email search by domain

<http://emailbydomain.com>

Auto manuals search

<http://auto.somanuals.com>

TV manuals search

<http://tv.somanuals.com>