

SAVE THESE INSTRUCTIONS

NOTE: Check all parts for shipping damage before using. In case of damage, DO NOT use the equipment. Contact the Dealer/Carrier for further instructions.

SAFETY SUMMARY

The following recommendations are made for the safe use of the Space Saver/ Conventional Arm Socket Assemblies:

GENERAL WARNING

DO NOT install or use this equipment without first reading and understanding these instructions. If you are unable to understand the Warnings, Cautions or Instructions, contact a healthcare professional, dealer or technical personnel before attempting to install this equipment - otherwise, injury or damage may occur.

INSTALLATION WARNING

After ANY adjustments, repair or service and BEFORE use, make sure that all attaching hardware is tightened securely.

PURPOSE

To replace existing half-arms or install new FIXED or ADJUSTABLE arms on Invacare MVP and STYLE wheelchairs built after 10-10-92.

The Invacare MVP or STYLE can be fitted with Space Saver or Conventional mounting brackets with either fixed or adjustable arms. These arms can be used on all chairs 14 through 18 inches.

FRONT ARMREST SOCKET REPLACEMENT/H-BLOCK INSTALLATION (FIGURE 1)

1. Remove the locknut and screw securing the H-block to the right and left front frames (FIGURE 1).
2. Remove the H-blocks.

NOTE: It may be necessary to reposition the wheel lock assembly before/after installing the new front armrest sockets/H-Blocks.

3. Position the NEW armrest socket/H-Block onto the right and left front frames by performing one (1) of the following:

NOTE: Armrest sockets/H-Block MUST be positioned in the 1st or 2nd mounting hole on the right and left front frames depending on the type of wheelchair.

- A. MVP/STYLE 14 through 16 inches deep - Align the mounting hole in the H-block with the first mounting hole on front of chair.
- B. ALL type wheelchairs 17 and 18-inch deep - Align the mounting hole on the H-block with the second mounting hole on front of chair.

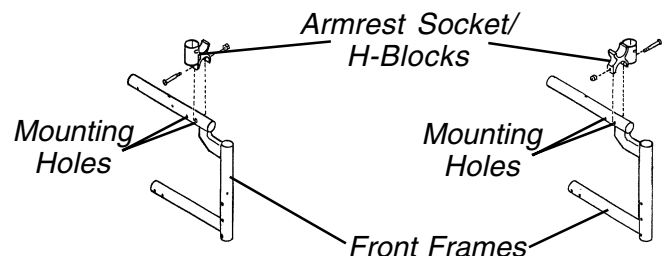


FIGURE 1 - FRONT ARMREST SOCKET REPLACEMENT/H-BLOCK INSTALLATION

REAR ARMREST SOCKET INSTALLATION ON WHEELCHAIRS BUILT BEFORE 7/00

Space Saver Armrest Sockets (FIGURE 2)

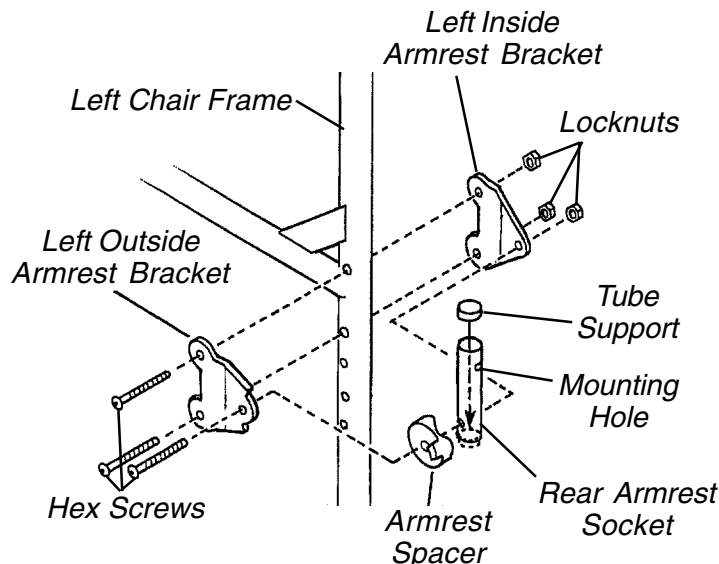
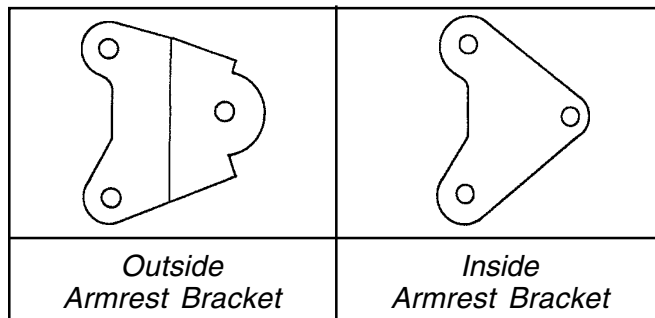
Space Saver Kit No. 1036793 Includes the following:

DESCRIPTION	QTY.
Left Outside Armrest Bracket	1
Left Inside Armrest Bracket	1
Left Armrest Spacer	1
Right Outside Armrest Bracket	1
Right Inside Armrest Bracket	1
Right Armrest Spacer	1
Front Armrest Socket	2
Rear Armrest Socket	2
Tube Supports	2
Hex Screw	8
Locknuts	8

1. Insert the tube support into armrest socket.

NOTE: Tube support MUST be positioned below mounting hole.

2. Position the outside armrest bracket towards the outside of the chair frame.



3. Position the armrest spacer flush against the inside of the outside armrest bracket as shown in "DETAIL A", FIGURE 2.
4. Place the armrest socket into the groove of the armrest spacer.
5. Position inside armrest bracket against the armrest socket (FIGURE 2).
6. Loosely secure the brackets, armrest socket and armrest spacer together using one (1) of the six (6) hex screws and a locknut.
7. Position the armrest bracket on the rear frame making sure that the armrest spacer is positioned on the outside of the rear armrest socket. Refer to Detail "A" in FIGURE 2.
8. Secure the assembly of the chair frame using two (2) of the six (6) hex screws and locknuts.

CAUTION
Make sure that all screws and locknuts are secure at all times.

9. Repeat this procedure for the opposite side of the chair frame.

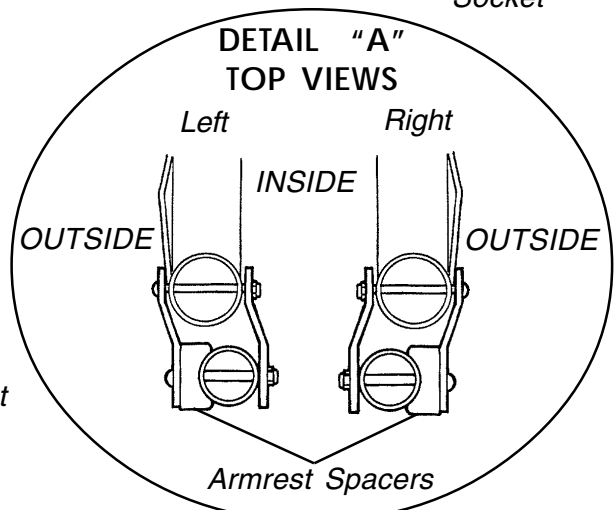
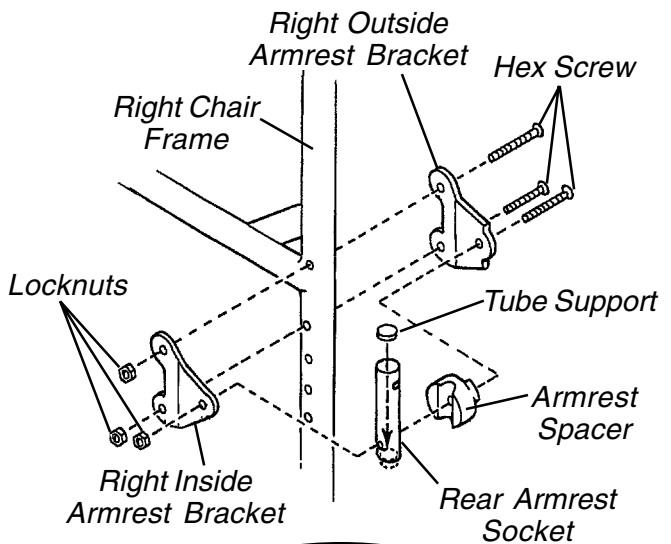


FIGURE 2 - REAR ARMREST SOCKET INSTALLATION - SPACE SAVER ARMS

Conventional Armrest Sockets (FIGURE 3)

Conventional Kit No. 1036794 includes the following:

DESCRIPTION	QTY.
Left Outside Armrest Bracket	1
Left Inside Armrest Bracket	1
Left Armrest Spacer	1
Right Outside Armrest Bracket	1
Right Inside Armrest Bracket	1
Right Armrest Spacer	1
Front Armrest Socket	2
Rear Armrest Socket	2
Tube Supports	2
Spacer	2
Long Hex Screw	2
Short Hex Screw	6
Locknuts	8

1. Insert the tube support into armrest socket.

NOTE: Tube support MUST be positioned below mounting hole.

2. Position the outside armrest bracket towards the outside of the chair frame.

3. Position the armrest spacer flush against the outside of the outside armrest bracket as shown in "DETAIL A", FIGURE 3.

- Place the armrest socket into the groove of the armrest spacer.
- Position the bracket spacer flush against the inside of the outside armrest bracket.
- Loosely secure the brackets, armrest socket, armrest spacer and bracket spacer together using one (1) of the two (2) long hex screws and a locknut.
- Position the armrest bracket on the rear frame making sure that the armrest spacer is positioned on the outside of the rear armrest socket. Refer to DETAIL "A" in FIGURE 1.
- Secure the assembly of the chair frame using two (2) of the four (4) short hex screws and locknuts.

CAUTION

Make sure that all screws and locknuts are secure at all times.

10. Repeat this procedure for the opposite side of the chair frame.

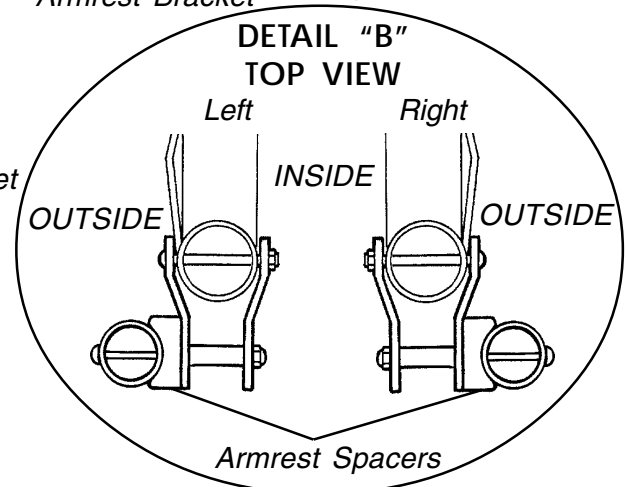
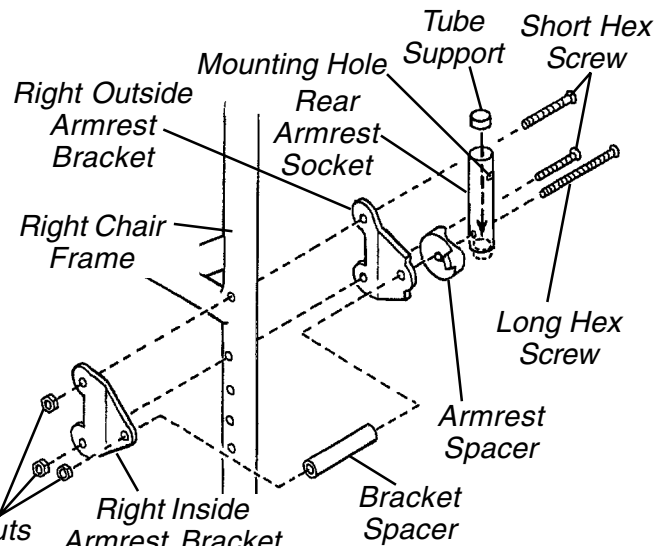
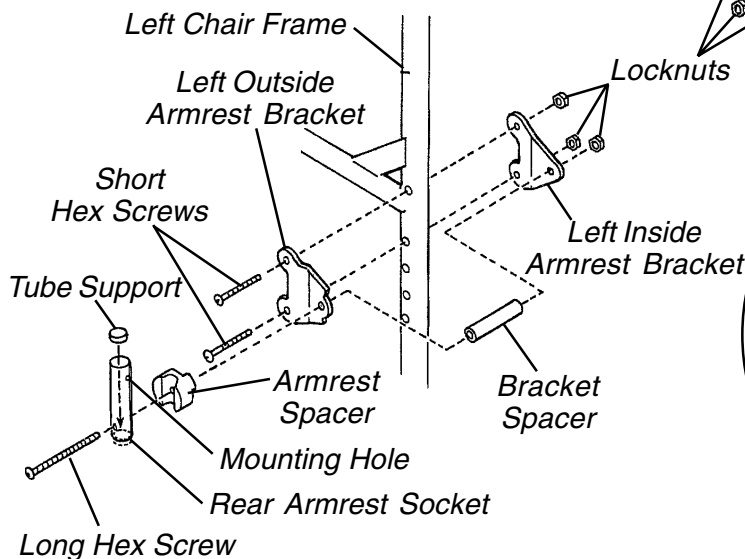
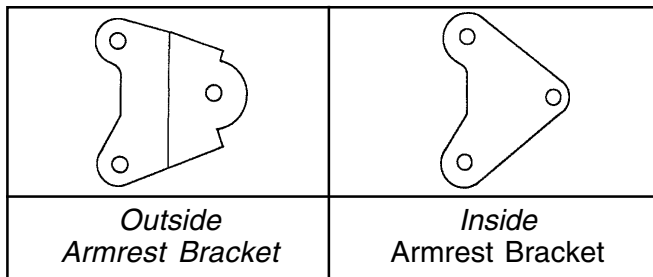


FIGURE 3 - REAR ARMREST SOCKET INSTALLATION - CONVENTIONAL ARMS

REAR ARMREST SOCKET INSTALLATION ON WHEELCHAIRS BUILT AFTER 7/00

Space Saver Armrest Sockets (FIGURE 4)

Space Saver Kit No. 1094952 includes the following:

DESCRIPTION	QTY.
Armrest Brackets	2
Front Armrest Sockets	2
Rear Armrest Sockets	2
Tube Supports	2
Nylon Washers	4
Long Hex Screw	2
Short Hex Screw	6
Locknuts	6
Hex Locknut	2

1. Position armrest bracket into mounting position. Refer to Owner's Manual, supplied with the wheelchair, for proper mounting positions.

2. Install armrest bracket onto wheelchair frame and secure using short hex screw and locknut. Securely tighten.
3. Insert the tube support into the armrest socket ensuring that the holes in the tube support align with the holes in the armrest socket.
4. Install the armrest socket into the armrest bracket.

NOTE: Mounting hardware must be installed in the orientation shown in FIGURE 4.

5. Install short hex screw through armrest bracket, washer, armrest socket, tube support, washer and armrest bracket as shown in FIGURE 4.
6. Secure with locknut.
7. Install remaining short hex screw (used as armrest stop) through armrest bracket and secure with locknut.
8. Repeat this procedure for the opposite side of the chair frame.

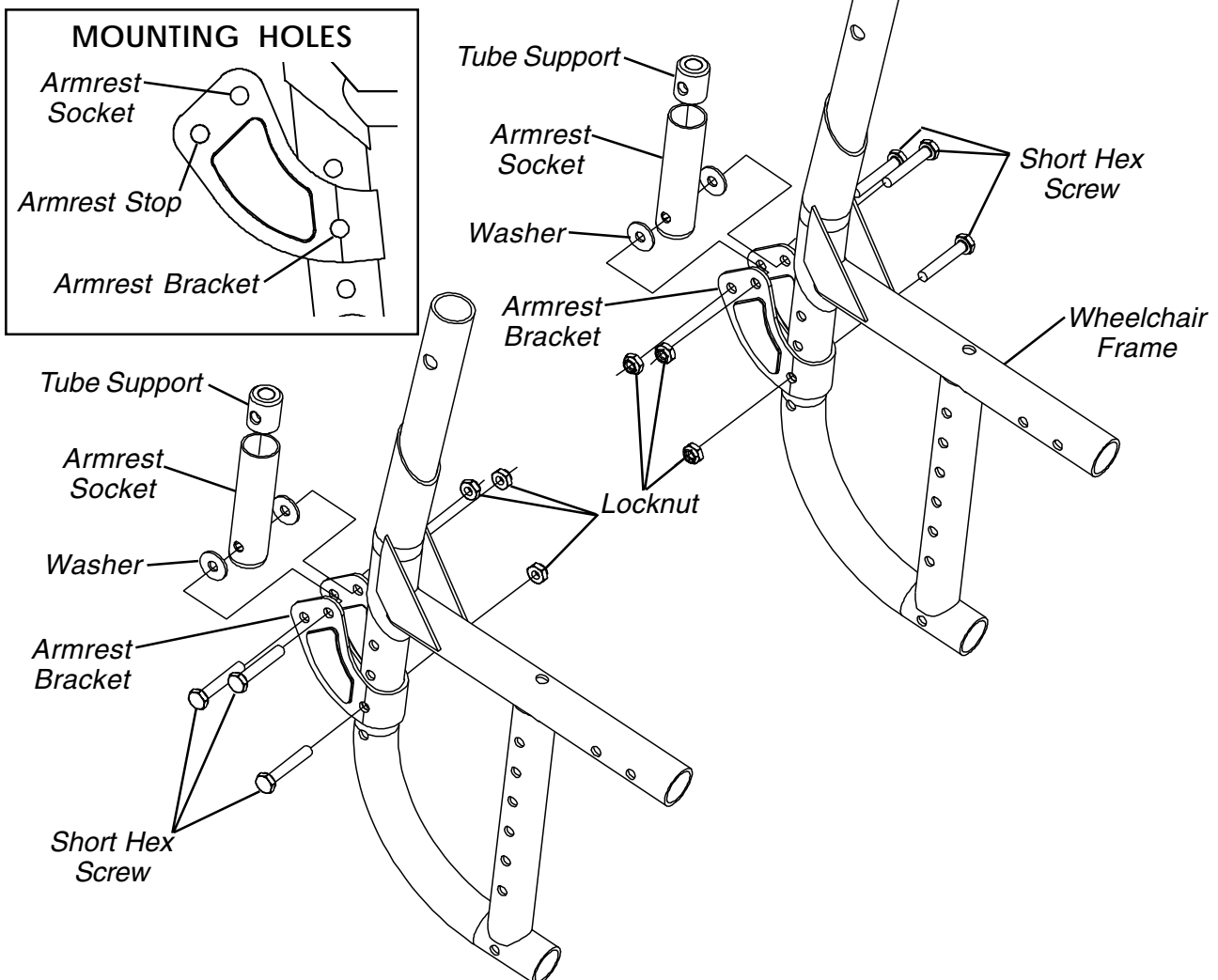


FIGURE 4 - REAR ARMREST SOCKET INSTALLATION ON WHEELCHAIRS BUILT AFTER 7/00 - SPACE SAVER ARMREST SOCKETS

Conventional Armrest Sockets (FIGURE 5)

Conventional Kit No. 1094953 includes the following:

DESCRIPTION	QTY.
Armrest Bracket	2
Bracket Spacer	2
Front Armrest Socket	2
Rear Armrest Socket	2
Coved Armrest Spacer	2
Tube Supports	2
Nylon Washers	2
Long Hex Screw	2
Medium Hex Screw	2
Short Hex Screw	2
Locknuts	4
Hex Locknut	2

1. Position armrest bracket into mounting position. Refer to Owner's Manual for proper mounting positions.
2. Install armrest bracket onto wheelchair frame and secure using short hex screw and locknut.
3. Insert the tube support into the armrest socket ensuring that the holes in the tube support align with the holes in the armrest socket.

4. Install the armrest socket into the armrest bracket.

NOTE: Mounting hardware must be installed in the orientation shown in FIGURE 5.

5. Install long hex screw through armrest socket, tube support, coved armrest spacer, washer, armrest bracket, spacer and armrest bracket as shown in DETAIL "A".

NOTE: Ensure armrest socket is flush in coved spacer.

6. Secure with locknut.

7. Repeat this procedure for the opposite side of the chair frame.

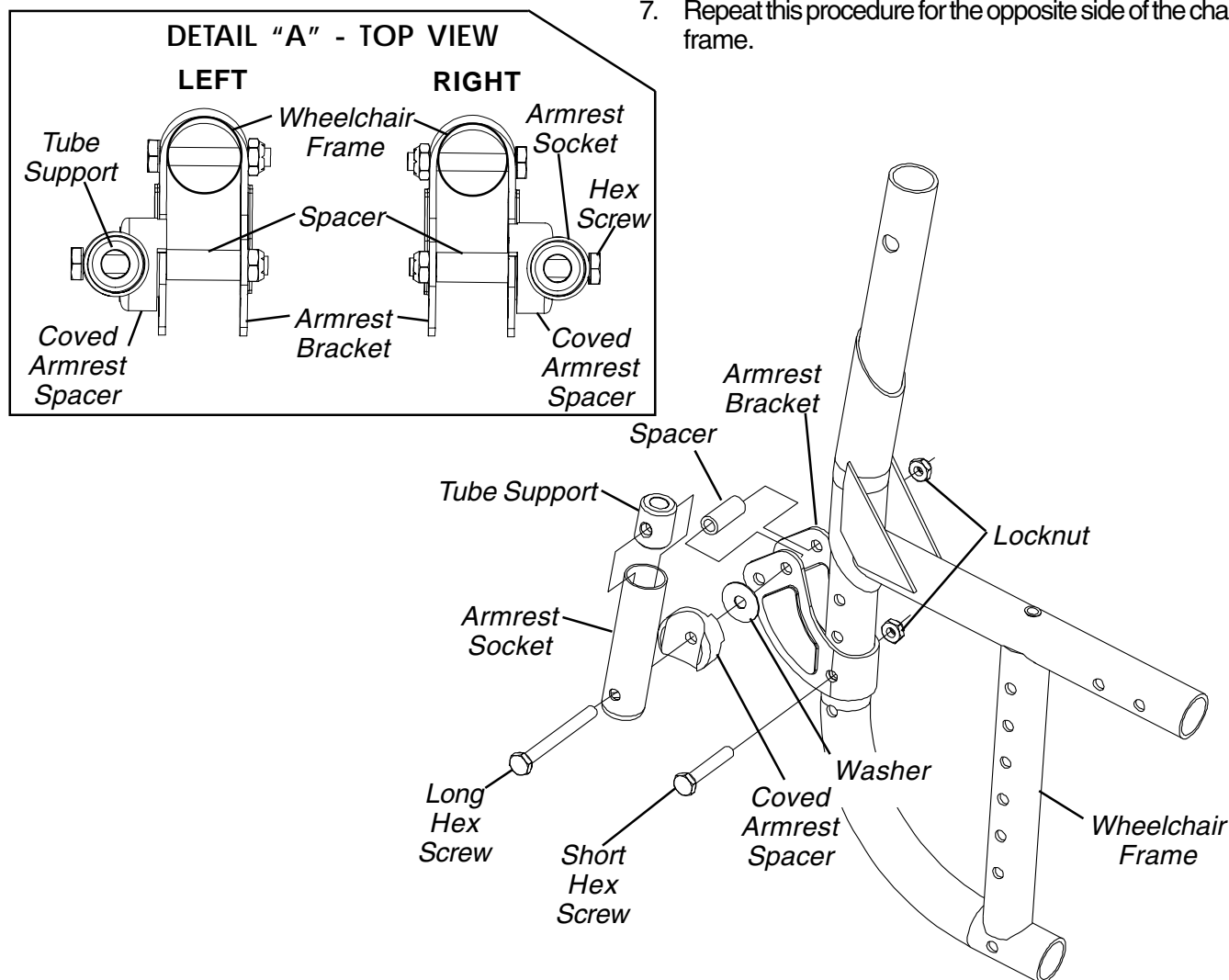


FIGURE 5 - REAR ARMREST SOCKET INSTALLATION ON WHEELCHAIRS BUILT AFTER 7/00 - CONVENTIONAL ARMREST SOCKETS

ARMREST OPERATION

CAUTION

After any adjustments, make sure the locking mechanism is secured before using the wheelchair.

Adjustable Height Armrest (FIGURE 6)

HEIGHT ADJUSTMENT.

1. Unlock the arm by flipping the height adjustment lever to the UP position.
2. Adjust the arm to the desired height.
3. Lock the arm by pressing the height adjustment lever into the DOWN position.

REMOVING/INSTALLING.

1. Unlock the arm by rotating both release levers towards the outside of the chair.
2. Pull arm straight up and out of the socket.
3. Insert the arm straight down and into the socket.
4. Lock the arm by rotating both release levers toward the inside of the chair.

Fixed Height Armrest (FIGURE 6)

REMOVING/INSTALLING.

1. Unlock the arm by rotating both release levers towards the outside of the chair.
2. Pull arm straight up and out of the socket.
3. Insert the arm straight down and into the socket.
4. Lock the arm by rotating both release levers toward the inside of the chair.

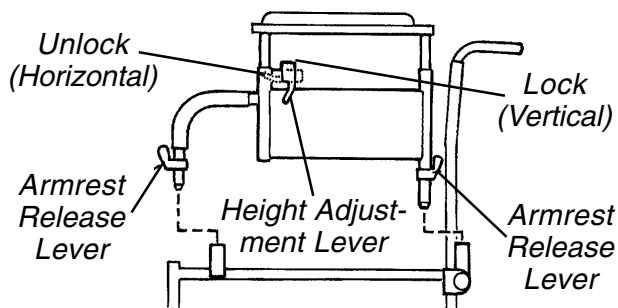


FIGURE 6 - ARMREST OPERATION
ADJUSTABLE/FIXED HEIGHT ARMREST

Swing-Away Armrest (FIGURE 7)

SWINGING AWAY.

1. Unlock the arm by rotating the release lever(s) towards the outside of the chair.
2. Pull the front of arm straight up/out of the socket and towards the rear of the chair.
3. To lock, push the arm towards the front of the chair; then downward and into the socket (unlocked).
4. When the arm is in place turn release lever towards the inside of the chair.

REMOVING/INSTALLING.

1. Unlock the arm by rotating both release levers towards the outside of the chair.
2. Pull arm straight up and out of the socket.
3. Insert the arm straight down and into the socket.
4. Lock the arm by rotating both release levers toward the inside of the chair.

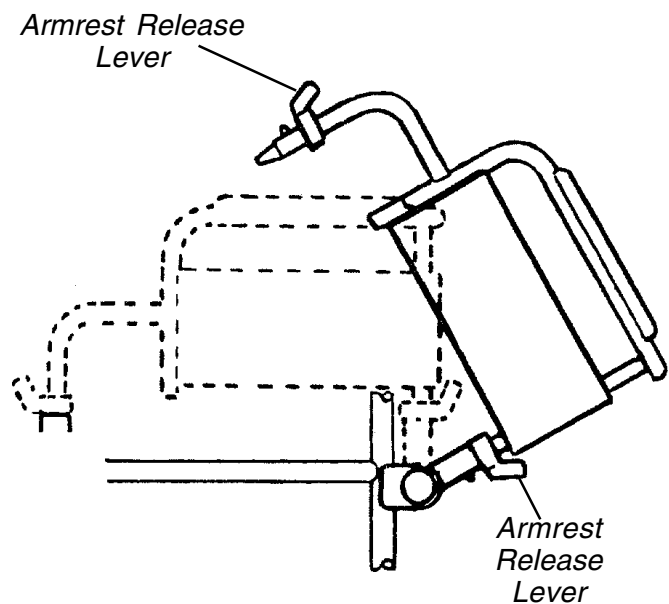


FIGURE 7 - ARMREST OPERATION
SWING-AWAY ARMREST



Yes, you can.™

Invacare Corporation www.invacare.com

USA
One Invacare Way
Elyria, Ohio USA
44036-2125
800-333-6900

Canada
5970 Chedworth Way
Mississauga, Ontario
L5R 3T9, Canada
905-890-8838

Invacare and "Yes, you can" are trademarks of Invacare Corporation.
© 2000 Invacare Corporation
Form No. 93-29 Part No. 1040101 Rev B (1)10/00

Free Manuals Download Website

<http://myh66.com>

<http://usermanuals.us>

<http://www.somanuals.com>

<http://www.4manuals.cc>

<http://www.manual-lib.com>

<http://www.404manual.com>

<http://www.luxmanual.com>

<http://aubethermostatmanual.com>

Golf course search by state

<http://golfingnear.com>

Email search by domain

<http://emailbydomain.com>

Auto manuals search

<http://auto.somanuals.com>

TV manuals search

<http://tv.somanuals.com>