

# WHEEL LOCK EXTENSION HANDLE



## Assembly, Installation and Operating Instructions

Kit No. 1038599

*NOTE: Check all parts for shipping damage and test before using. In case of damage, DO NOT use. Contact the dealer / Invacare for further instructions.*

### SAFETY SUMMARY

The following recommendations are made for the safe installation of the Wheel Lock Extension Handle Kit:

#### WARNING

DO NOT install or use this kit without first reading and understanding these instructions. If you are unable to understand the Warnings, Cautions or Instructions, contact a healthcare professional, dealer or technical personnel before attempting to install this kit - otherwise, injury or damage may occur.

Any worn or damaged hardware **MUST** be replaced.

After ANY adjustments, repair or service and BEFORE use, make sure all attaching hardware is tightened securely.

The following parts are included in Kit No. 1038599:

DESCRIPTION	QUANTITY
Rubber Tip	2
#10 Flat Washer	2
Extension Handle	2
Elastic Cord Assembly	2
Instruction Sheet	1
Plastic Bag	1

*NOTE: If installing this kit on a wheelchair manufactured prior to 5/93, a new style wheel lock handle may need to be ordered. Contact an Invacare Dealer or Customer Service at the number on the bottom of this instruction sheet.*

### INSTALLING THE WHEEL LOCK EXTENSION HANDLE (FIGURE 1)

*NOTE: Wheel lock extension handles cannot be installed on high mount wheel locks already equipped with extension handles.*

1. Remove and discard the EXISTING rubber tip on the wheel lock handle (if applicable).

2. Remove the button screw, washer and locknut that secures the EXISTING handle to the wheel lock assembly.
3. Attach the looped end of the elastic cord of the wheel lock extension handle over the spacer of the EXISTING handle.
4. Reassemble the EXISTING handle to the wheel lock with the button screw, washer and locknut to secure the cord around the spacer.

*NOTE: Cord is made of stretchable material and may be adjusted to a light or loose fit to meet the needs of the user.*

5. Push the opposite end of the elastic cord up through the slotted hole in the wheel lock extension handle.
6. Run the cord through the washer and tie a knot above the washer as shown in **FIGURE 1**.
7. Pull the cord back down into the wheel lock extension handle.
8. Install the NEW rubber tip.
9. Slide wheel lock extension handle over EXISTING handle.

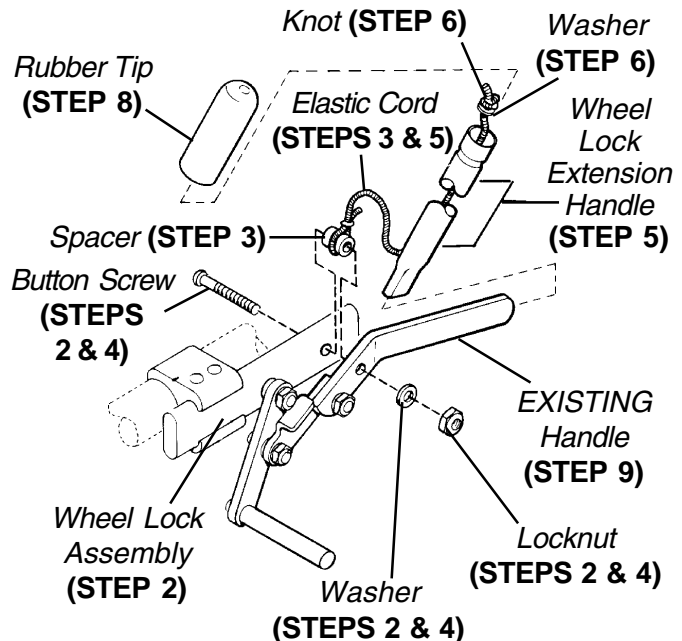


FIGURE 1 - INSTALLING THE WHEEL LOCK EXTENSION HANDLE

Invacare Corporation www.invacare.com



**USA**  
One Invacare Way  
Elyria, Ohio USA  
44036-2125  
800-333-6900

**Canada**  
5970 Chedworth Way  
Mississauga, Ontario  
L5R 3T9, Canada  
905-890-8838

Invacare is a registered trademark of Invacare Corporation.  
© 1999 Invacare Corporation

Form No. 93-40 Part No. 1039644 Rev. C (2) -11/99



## Free Manuals Download Website

<http://myh66.com>

<http://usermanuals.us>

<http://www.somanuals.com>

<http://www.4manuals.cc>

<http://www.manual-lib.com>

<http://www.404manual.com>

<http://www.luxmanual.com>

<http://aubethermostatmanual.com>

Golf course search by state

<http://golfingnear.com>

Email search by domain

<http://emailbydomain.com>

Auto manuals search

<http://auto.somanuals.com>

TV manuals search

<http://tv.somanuals.com>