



SAVE THESE INSTRUCTIONS

NOTE: Check ALL parts for shipping damage. In case of shipping damage, DO NOT use. Contact Carrier/Dealer for further instruction.

SAFETY SUMMARY

To ensure the safe installation, operation and use of the MPR Tray Assembly Kit, these instructions **MUST** be followed:

GENERAL WARNING

DO NOT install or use this equipment without first reading and understanding these instructions. If you are unable to understand the Warnings, Cautions or Instructions, contact a healthcare professional, dealer or technical personnel before attempting to install this equipment - otherwise injury or damage may occur.

INSTALLATION WARNING

After **ANY** adjustments, repair or service and before use, make sure all attaching hardware is tightened securely - otherwise injury or damage may occur.

MPR Tray Assembly Kit (Part No. 1108705) contains the following items:

| DESCRIPTION | QUANTITY |
|--------------|----------|
| Tray* | 1 |
| Pivot Arm | 1 |
| Support Arm | 1 |
| Tray Tab | 4 |
| Flange Screw | 8 |
| Dome Plug | 2 |

*Tray (Part No. 1069956) can also be ordered separately.

REPLACING THE TRAY - MODEL 6905A (FIGURE 1)

1. Remove tray from recliner. Refer to STORING/REMOVING THE TRAY in the Owner's Manual, part number 54000M107.
2. Position tray assembly on the floor as shown in FIGURE 1.
3. Remove the four (4) flange screws and two (2) tray tabs that secure the support arm to the tray.
4. Remove the four (4) flange screws and two (2) tray tabs that secure the pivot arm to the tray.
5. Remove existing tray.

NOTE: Retain ALL mounting hardware and arms if only installing new Tray, part number 1069956.

For more information regarding Invacare products, parts, and services, please visit: www.invacare.com

6. Secure the pivot arm and two (2) tray tabs to the tray with four (4) flange screws. Securely tighten flange screws. Repeat for support arm.
7. Insert pivot arm and support arm into recliner frame underneath armrests.

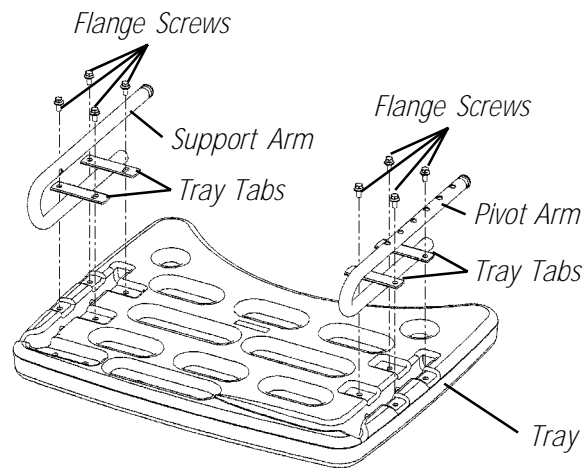


FIGURE 1 - REPLACING THE TRAY - MODEL 6905A



Yes, you can.™

Invacare Corporation www.invacare.com

USA
One Invacare Way
Elyria, Ohio USA
44036-2125
800-333-6900

Canada
570 Matheson Blvd E Unit 8
Mississauga Ontario
L4Z4G4 Canada
800-668-5324

Invacare is a registered trademark of
Invacare Corporation.
Yes, you can. is a trademark of Invacare
Corporation.
© 2004 Invacare Corporation
Part No. 1123847 Rev A - 3/04

Free Manuals Download Website

<http://myh66.com>

<http://usermanuals.us>

<http://www.somanuals.com>

<http://www.4manuals.cc>

<http://www.manual-lib.com>

<http://www.404manual.com>

<http://www.luxmanual.com>

<http://aubethermostatmanual.com>

Golf course search by state

<http://golfingnear.com>

Email search by domain

<http://emailbydomain.com>

Auto manuals search

<http://auto.somanuals.com>

TV manuals search

<http://tv.somanuals.com>