

21" Arm Pad for Walker Platform Attachment

Assembly, Installation and Operating Instructions



Model Nos. 1073913

Yes, you can.

SAVE THESE INSTRUCTIONS

NOTE: Check ALL parts for shipping damage. If shipping damage is noted, DO NOT use. Contact carrier/dealer for further instruction.

Arm pads installed on the Walker Platform Attachment model 6027 may not be suitable for all arm sizes. Invacare recommends replacing the existing 17" semi-adjustable arm pad with the 21" fully adjustable arm pad.

Safety Summary

To ensure the safe and proper installation of the walker platform attachment, these instructions MUST be followed:

⚠ WARNING

DO NOT install this equipment without first reading and understanding this instruction sheet. If you are unable to understand the warnings, cautions and instructions, contact a healthcare professional, dealer or technical personnel if applicable, before attempting to install this equipment - otherwise, injury or damage may occur.

Ensure that **ALL** attaching hardware is secure.

Invacare products are specifically designed and manufactured for use in conjunction with Invacare accessories. Accessories designed by other manufacturers have not been tested by Invacare and are not recommended for use with Invacare products.

⚠ INSTALLATION WARNING

After **ANY** adjustments, repair or service and **BEFORE** use, make sure that all attaching component parts are secure.

Installing the Arm Pad and Strap

NOTE: For this procedure, refer to FIGURE 1.

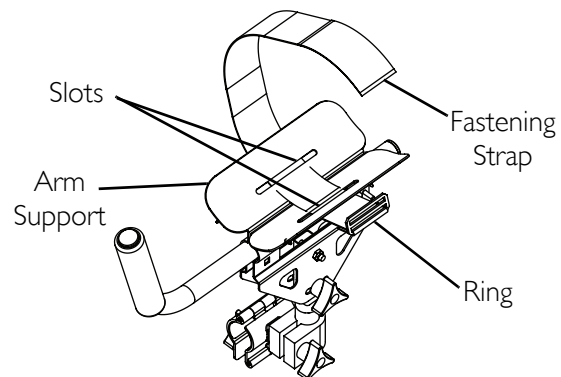
1. Remove arm pad and cover.

NOTE: Note the orientation of the existing arm strap for installation of the new arm strap.

2. Pull on ring and remove fastening strap through the slots in the arm support.
3. Thread the end without the ring of the new arm strap through slots in the arm support.

NOTE: Make sure the hook end is facing down or the arm strap will not secure properly.

4. Slide the arm pad and cover over the arm support.



NOTE: Arm pad removed for clarity.

FIGURE 1 Installing the Arm Pad and Strap

For more information regarding Invacare products, parts, and services, please visit www.invacare.com

Securing the Arm Strap

NOTE: For this procedure, refer to FIGURE 2.

1. Unfasten arm strap by pulling up on the hook and loop fastening strap.
2. Loosen arm strap by pulling through ring.
3. Slide arm into position.
4. Pull fastening strap until a snug fit is obtained.
5. Fold the hook and loop fastening strap over ring and secure to arm strap.

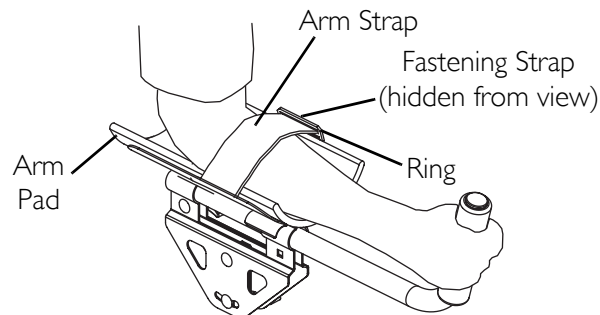


FIGURE 2 Securing the Arm Strap



Yes, you can.®

Invacare Corporation

www.invacare.com

USA

One Invacare Way
Elyria, Ohio USA
44036-2125
800-333-6900

Canada

570 Matheson Blvd E Unit 8
Mississauga Ontario
L4Z 4G4 Canada
800-668-5324

Invacare, Yes, you can. and the Medallion Design are registered trademarks of Invacare Corporation.
© 2006 Invacare Corporation

**PRODUCT MADE
IN CHINA**

Part No 1143248

Rev A - 9/26/06

Free Manuals Download Website

<http://myh66.com>

<http://usermanuals.us>

<http://www.somanuals.com>

<http://www.4manuals.cc>

<http://www.manual-lib.com>

<http://www.404manual.com>

<http://www.luxmanual.com>

<http://aubethermostatmanual.com>

Golf course search by state

<http://golfingnear.com>

Email search by domain

<http://emailbydomain.com>

Auto manuals search

<http://auto.somanuals.com>

TV manuals search

<http://tv.somanuals.com>