

# Reliant Bath Lift (RBL250) Pendant/Cable/Current Limit Device Replacement Kit



## Assembly, Installation and Operating Instructions

Kit No. 1085144

*NOTE: Check all parts for shipping damage. In case of damage, DO NOT use. Contact your Dealer for further instruction.*

### SAFETY SUMMARY

The following recommendations are made for the safe replacement of the PENDANT/CABLE/CURRENT LIMIT DEVICE:

#### GENERAL WARNINGS

DO NOT install or use this equipment without first reading and understanding this instruction sheet. If you are unable to understand the Warnings, Cautions or Instructions in this Instruction Sheet and in the Owner's Operating and Maintenance Manual (Part No. 1081003) provided with the Bath Lift, contact a healthcare professional, dealer or technical personnel before attempting to install this kit, otherwise, injury or damage may occur.

This kit MUST be installed by an Invacare Dealer or technical personnel.

#### INSTALLATION WARNINGS

After ANY adjustments, repair or service and BEFORE use, make sure all attaching hardware is tightened securely - otherwise injury or damage may occur.

Use proper lifting techniques to avoid injury. Keep back straight and bend knees when lifting components of the bath lift.

### REPLACING THE PENDANT/CABLE/CURRENT LIMIT DEVICE

*NOTE: Refer to the INSTALLATION WARNINGS in the SAFETY SUMMARY of this instruction sheet.*

#### Removing the Seat (FIGURE 1)

##### WARNING

To prevent pinching injury between seat back and motor shroud when removing/installing the seat, DO NOT grasp seat anywhere other than at the recess at the top (DETAIL "C"), the opening at the bottom of the seat or the lip at the top of the seat.

To prevent frame from tipping when removing seat, either suction the frame to the floor or place one foot on the frame base when removing/installing the seat.

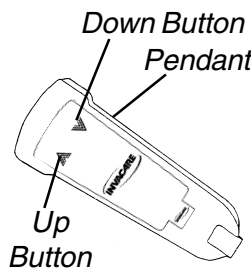
##### CAUTION

The bath lift seat MUST be removed from the top of the lifting cycle, otherwise, damage to the unit may occur.

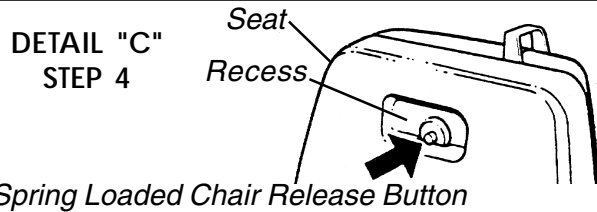
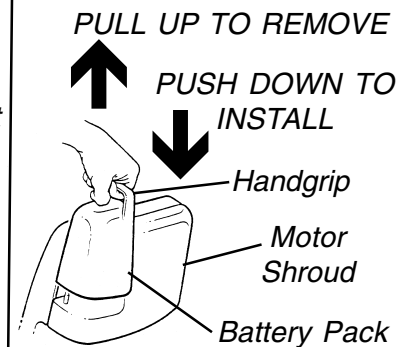
DO NOT grasp seat by side flaps, otherwise damage to the bath lift or the bathtub may occur.

1. Secure the frame to the floor with the suction cups or by standing on the frame base during removal of the seat.
2. Press the UP button on the pendant to raise the seat all the way up (DETAIL "A").
3. Grasp the handgrip on the battery pack and pull upwards to remove it from the motor shroud as shown in DETAIL "B".
4. Press and hold the spring loaded chair release button to release the seat (DETAIL "C").
5. While holding the button with one hand, grasp the seat bottom firmly with your other hand.
6. Slide the seat up until the slide block disengages from the groove in the frame as shown in FIGURE 1.
7. Grasp the handgrip on the battery pack and push downwards to install onto the motor shroud.
8. Press the DOWN button on the pendant to lower the bath lift to the lowest position (DETAIL "A").
9. If necessary, remove the bath lift frame from the bathtub. Refer to REMOVING THE FRAME FROM THE BATHTUB in this instruction sheet.

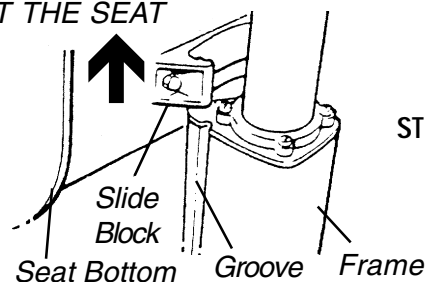
DETAIL "A"  
STEPS 1 AND 8



DETAIL "B"  
STEPS 2 AND 7



LIFT THE SEAT



STEPS 5-6

FIGURE 1 - REMOVING THE SEAT

## Removing the Frame from the Bathtub (FIGURE 2)

### WARNING

ALWAYS lower the bath lift frame to the lowest position BEFORE performing this procedure. Otherwise, the bath lift frame may tip during installation resulting in injury and/or damage.

### CAUTION

ALL water MUST be drained from the bathtub BEFORE removal of the bath lift frame to prevent damage to the bath lift frame or suction cups.

ALWAYS release the suction cups from bathtub bottom BEFORE removing frame to prevent damage to the frame or bathtub.

1. Remove the seat, if not already done. Refer to REMOVING THE SEAT in this instruction sheet.

*NOTE: Ensure bath lift is in lowest position before proceeding.*

2. Grasp the handgrip on the battery pack and pull upwards to remove it from the motor shroud.
3. Tilt the frame forward towards the drain or gently pull up on the suction cup loops to release the suction cups from the bathtub.
4. Remove the frame from the bathtub.
5. Remove the motor shroud. Refer to REMOVING THE MOTOR SHROUD in this instruction sheet.

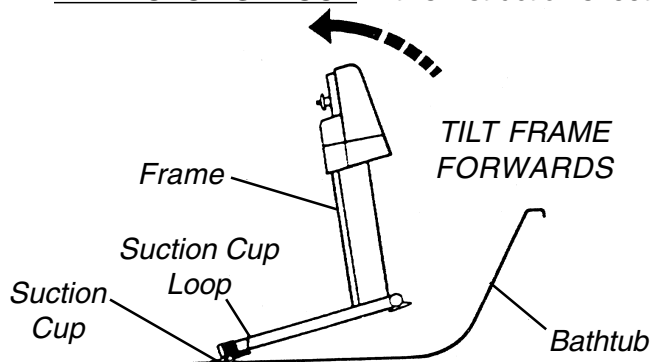


FIGURE 2 - REMOVING THE FRAME FROM THE BATHTUB

## Removing the Motor Shroud (FIGURES 3 AND 4)

### WARNING

ALWAYS lower the bath lift frame to the lowest position BEFORE performing this procedure. Otherwise, the bath lift frame may tip during installation resulting in injury and/or damage.

### WARNING

ALWAYS remove the bath lift from the bathtub BEFORE performing this procedure. Otherwise - injury or damage may occur.

1. Remove the bath lift frame from the bathtub, if not already done. Refer to REMOVING THE FRAME FROM THE BATHTUB in this instruction sheet.
2. Remove the mounting screw, two (2) self-locking screws and three (3) washers securing the motor shroud to the bath lift frame. Refer to FIGURE 3.

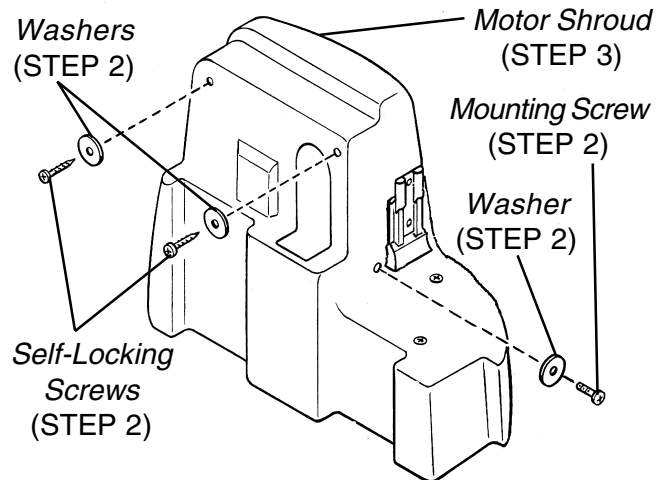


FIGURE 3 - REMOVING THE MOTOR SHROUD

### CAUTION

The motor shroud is still connected to the motor by the spade connectors and pendant cable. DO NOT attempt to forcibly separate the motor shroud from the motor. Otherwise - damage to the motor shroud and/or motor may occur.

3. Carefully lift the motor shroud off of the motor.
4. Disconnect the RED and BLACK spade connector wires from the motor as shown in FIGURE 4.
5. Remove the two (2) mounting screws securing the mounting bracket to the motor as shown in FIGURE 4.

*NOTE: Save the EXISTING two (2) mounting screws for reuse when securing the NEW spade connector wire and pendant cable to the motor.*

6. Remove the mounting bracket and release the spade connector wire and pendant cable as shown in FIGURE 4.
7. Disconnect the battery connector from the motor shroud. Refer to REMOVING THE BATTERY CONNECTOR in this instruction sheet.

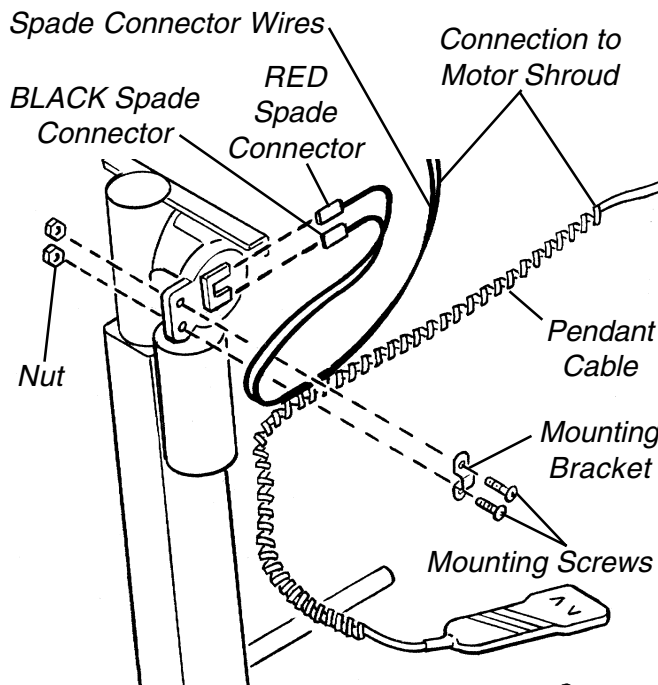


FIGURE 4 - REMOVING THE MOTOR SHROUD  
- RELEASING THE CABLES

### Removing the Battery Connector (FIGURE 5)

1. Remove the two (2) mounting screws and nuts securing the battery connector to the motor shroud as shown in FIGURE 5.
2. Carefully pull the battery connector away from the motor shroud.
3. Loosen, but do not remove the two (2) flat screws on the battery connector to release the YELLOW (+) and BLUE (-) wires.
4. Pull the YELLOW (+) and BLUE (-) wires through the motor shroud.
5. Remove the current limit device. Refer to REMOVING CURRENT LIMIT DEVICE in this instruction sheet.

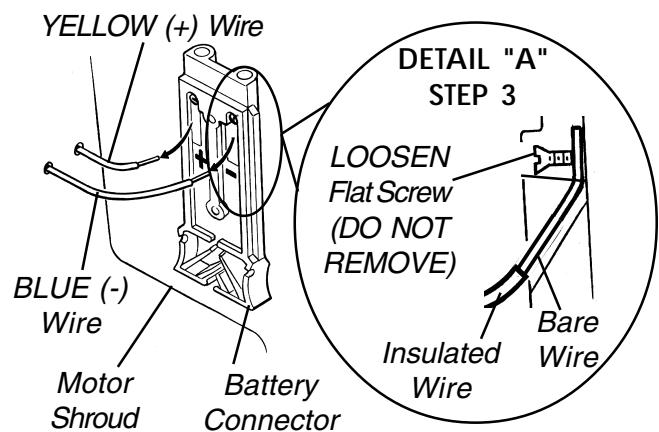
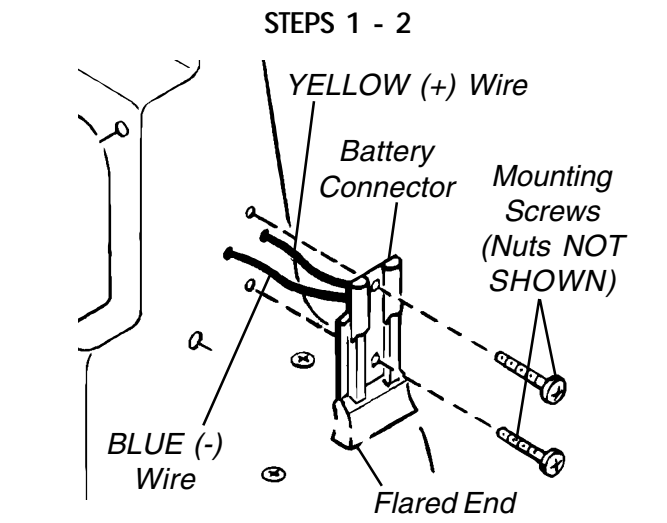


FIGURE 5 - REMOVING THE BATTERY CONNECTOR

### Removing Current Limit Device (FIGURE 6)

1. Remove the two (2) mounting screws and nuts securing the current limit device to the motor shroud.

*NOTE: EXISTING mounting screws and nuts will be used to secure NEW current limit device to motor shroud.*

2. Remove the pendant/cable/current limit device assembly.
3. Install NEW pendant/cable/current limit device assembly. Refer to INSTALLING NEW CURRENT LIMIT DEVICE in this instruction sheet.

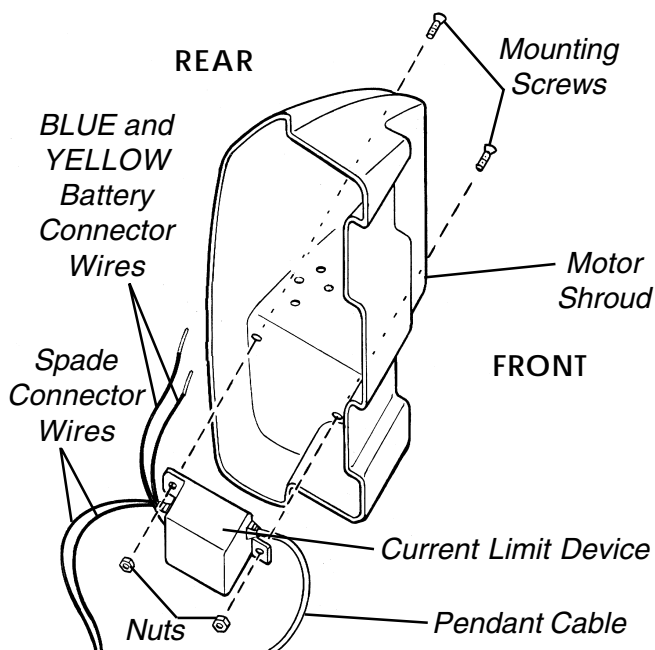


FIGURE 6 - REMOVING CURRENT LIMIT DEVICE

### Installing NEW Current Limit Device (FIGURE 6)

1. Position the NEW current limit device on the inside of the motor shroud with the blue and yellow battery connector wires towards the REAR of the shroud and the pendant cable towards the FRONT of the shroud as shown in FIGURE 6.
2. Align the mounting holes of the current limit device and the motor shroud and secure with the two (2) existing mounting screws and nuts. Tighten securely.
3. Install the battery connector. Refer to INSTALLING THE BATTERY CONNECTOR in this instruction sheet.

### Installing the Battery Connector (FIGURE 7)

#### CAUTION

The BLUE (-) and YELLOW (+) wires MUST be installed properly, otherwise, serious damage to the electrical system of the bath lift may occur.

1. Position the BLUE (-) wire through the FRONT hole and the YELLOW (+) wire through the REAR hole as shown in DETAIL "D" of FIGURE 7.
2. If necessary, loosen, but do not remove the two (2) flat screws in the battery connector (DETAIL "E").
3. Visually inspect the battery connector to find the POSITIVE (+) and NEGATIVE (-) channels. Refer to DETAIL "E" of FIGURE 7.
4. Insert the bare end of the YELLOW (+) wire into the POSITIVE (+) channel.

#### CAUTION

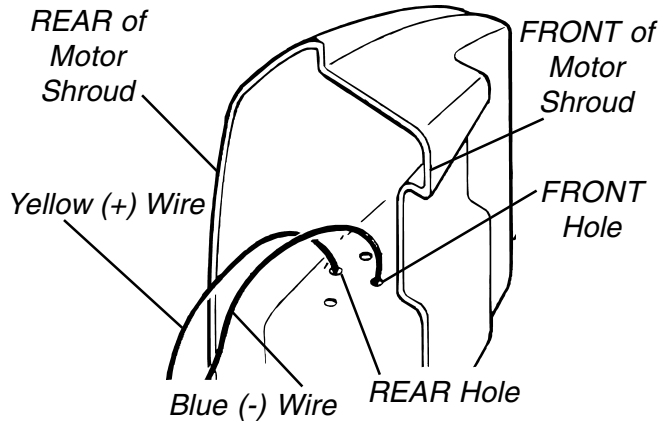
DO NOT tighten the flat screw onto the insulated portion of the wire. Ensure the screw secures the bare wire ONLY.

5. Tighten the flat screw to secure the wire to the battery connector. Refer to DETAIL "F" of FIGURE 7.
6. Repeat STEPS 4 - 5 to install the BLUE (-) wire into the NEGATIVE (-) channel.
7. Ensure BOTH wires are securely installed in the battery connector.

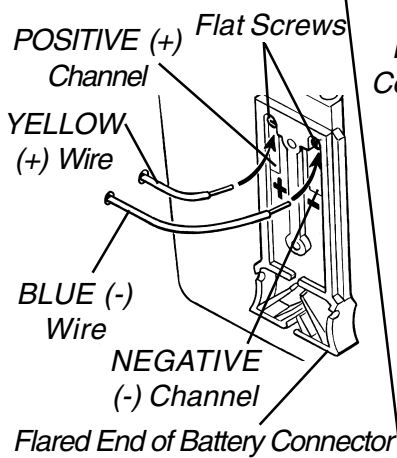
*NOTE: If installed properly, the wires should not pull out of the battery connector when gently tugged.*

8. Position the battery connector on the motor shroud with the flared end on the bottom as shown in FIGURE 7.
9. Align the mounting holes of the battery connector with the mounting holes of the motor shroud.
10. Secure the battery connector to motor shroud with the two (2) mounting screws and nuts. Tighten securely.
11. Install the motor shroud. Refer to INSTALLING THE MOTOR SHROUD in this instruction sheet.

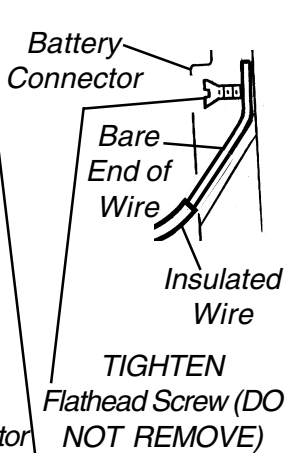
### DETAIL "D" - STEP 1



### DETAIL "E" STEPS 2-3



### DETAIL "F" - STEP 5



### STEPS 8-10

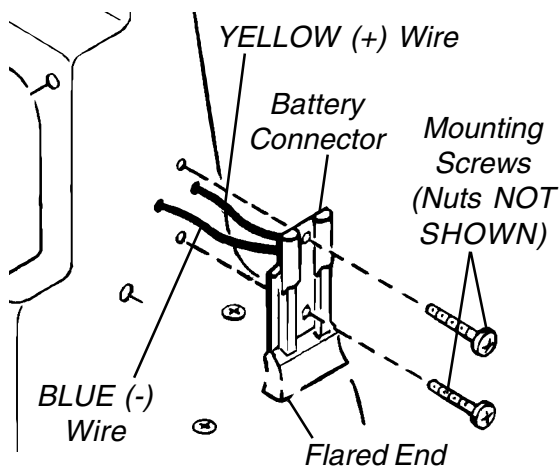


FIGURE 7 - INSTALLING THE BATTERY CONNECTOR

## Installing the Motor Shroud (FIGURE 8)

### CAUTION

The spade connectors **MUST** be connected to the motor as shown in FIGURE 8 - otherwise, the pendant will operate improperly.

1. Connect the spade connector wires to the motor in the following manner:
  - A. BLACK spade connector wire to lower spade.
  - B. RED spade connector wire to upper spade.

### CAUTION

**DO NOT** secure the pendant cable beyond the middle of the cable (measuring from the current limit device to the pendant), otherwise damage to the cable may result.

2. Secure the pendant cable and the spade connector wire wrap to the motor with the mounting bracket as shown in FIGURE 8.
3. Align the mounting holes of the mounting bracket and motor and secure the mounting bracket with the two (2) EXISTING mounting screws. Tighten securely.
4. Position the motor shroud over the motor, aligning the mounting holes of the motor shroud and motor.
5. Install the machine screw and washer in the side mounting hole. Tighten securely.
6. Install the two (2) self-locking screws and two (2) washers in the front mounting holes. Tighten securely.
7. Grasp the handgrip on the battery pack and push downwards to install it onto the motor shroud.

### WARNING

To prevent frame from tipping when raising the bath lift without the seat installed, either suction the frame to the floor or place one foot on the frame base.

8. Secure the frame to the floor with the suction cups or by standing on the frame base.
9. Test the operation of the bath lift by pressing the UP and DOWN buttons on the pendant to ensure proper installation of the NEW pendant.
10. Perform one (1) of the following:

**PROPER OPERATION** - Install the bath lift frame into the bathtub. Refer to INSTALLING BATH LIFT INTO THE BATHTUB in this instruction sheet.

**IMPROPER OPERATION** - If the bath lift does not respond correctly when the pendant buttons are pushed (for example, the lift raises when the DOWN button is pushed) or if it does not work at all, repeat STEPS 1-9 making sure the spade connectors are properly connected.

*NOTE: If improper operation exists, contact Invacare at the number on the back of this instruction sheet before using.*

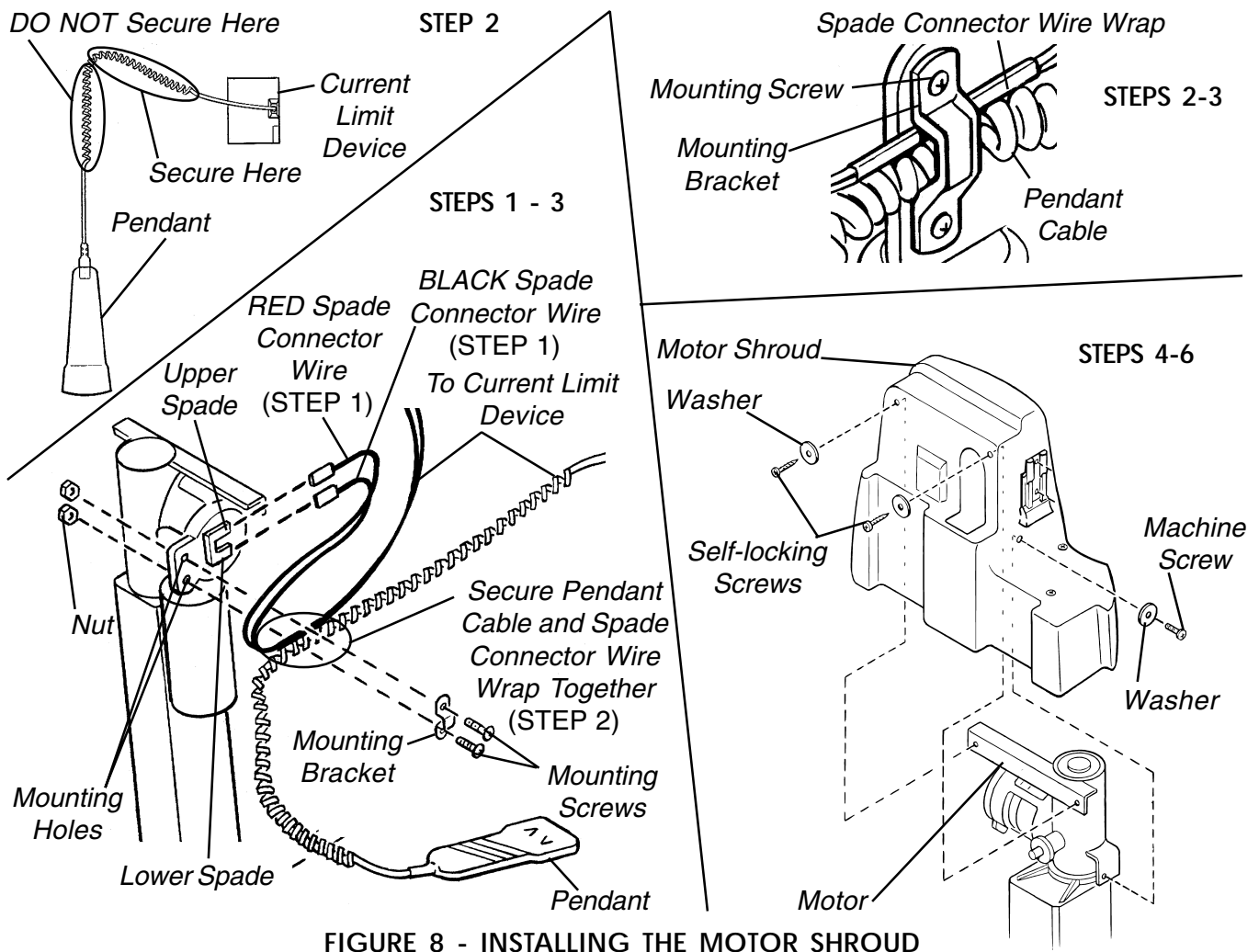


FIGURE 8 - INSTALLING THE MOTOR SHROUD

## Installing the Bath Lift into the Bathtub (FIGURE 9)

### WARNING

ALWAYS lower the bath lift frame to the lowest position BEFORE performing this procedure. Otherwise, the bath lift frame may tip during installation and injury or damage may occur.

The frame MUST be placed into an EMPTY bathtub.

1. Clean tub and wipe suction cups with a damp cloth.
2. Press the DOWN button on the pendant to lower the bath lift to the lowest position.
3. Grasp the handgrip on the battery pack and pull upwards to remove it from the motor shroud as shown in FIGURE 9.
4. Place the frame into the bathtub.
5. Perform the following steps to position the frame in the bathtub:

- A. Position the rubber pads of the frame just in front of the curve at the bottom of the back of the bathtub.
- B. Install the seat. Refer to INSTALLING THE SEAT in this instruction sheet.
- C. Position the frame to align the line on the entry/exit side flap with the inside edge of the bathtub as shown in DETAIL "G" of FIGURE 9.

### WARNING

The frame must be positioned so that the side flap of the seat on the entry/exit side of the bathtub is fully supported by the side of the bathtub. The inside edge of the bathtub MUST be aligned with the line on this side flap.

- D. Ensure the rubber pads and suction cups are positioned flat on the bottom of the bathtub.

*NOTE: Pull up on suction cup loops to release suction cups from bathtub bottom.*

6. Press firmly down onto the two (2) front suction cups to attach the frame securely to the bottom of the bath.

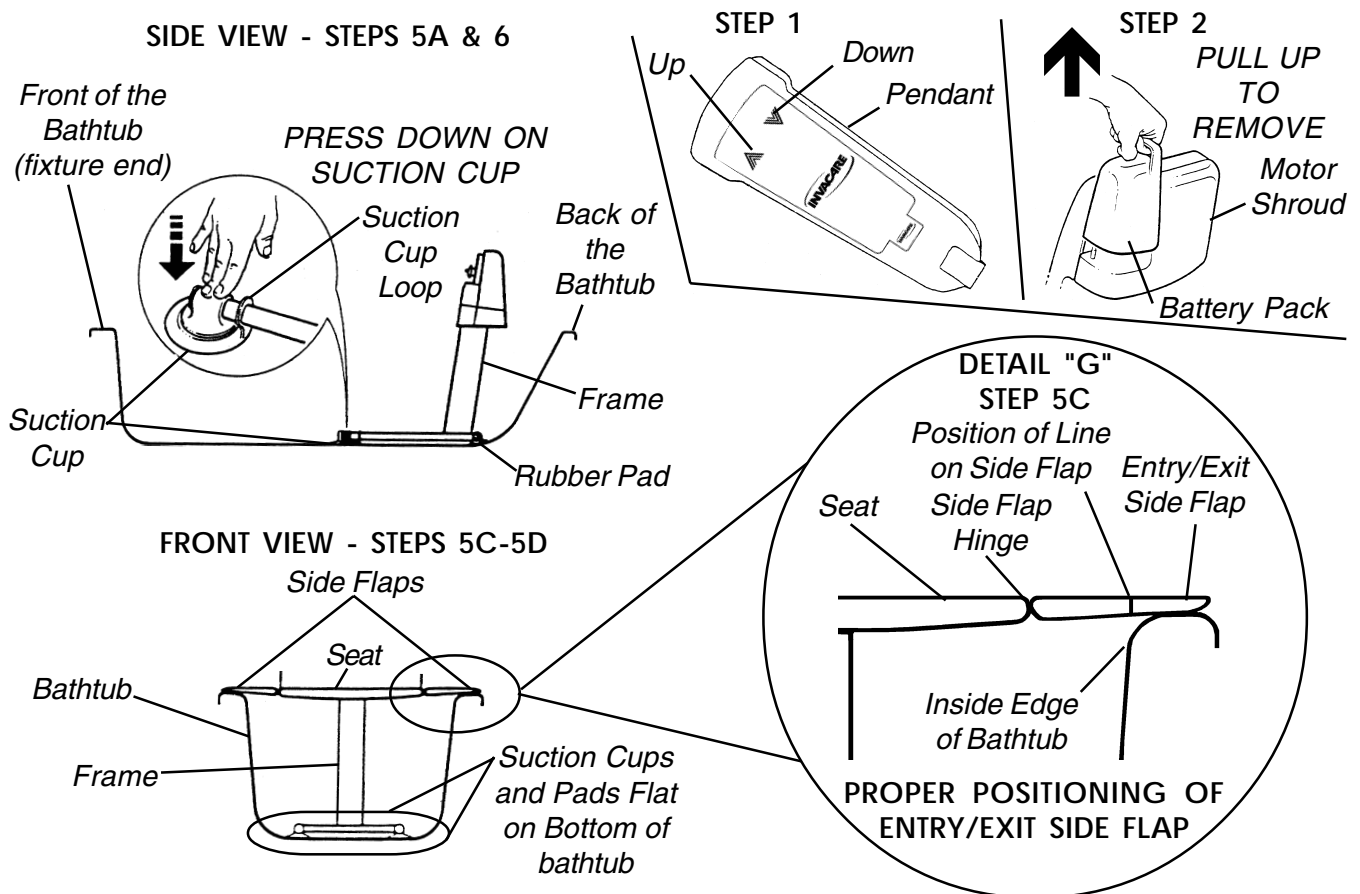


FIGURE 9 - INSTALLING THE BATH LIFT INTO THE BATHTUB

### Installing the Seat (FIGURE 10)

#### WARNING

To prevent pinching injury between seat back and motor shroud when removing/installing the seat, DO NOT grasp seat anywhere other than at the recess at the top, the opening at the bottom of the seat or the lip at the top of the seat.

To prevent frame from tipping when removing seat, either suction the frame to the floor or place one foot on the frame base when removing/installing the seat.

#### CAUTION

The bath lift seat MUST be installed from the uppermost lifting position, otherwise, damage to the unit may occur.

DO NOT grasp seat by side flaps to avoid damage to the bath lift or the bathtub.

1. Secure the frame to the floor with the suction cups or by standing on the frame base.
2. Grasp the handgrip on the battery pack and push downwards to install it onto the motor shroud.

3. Press the UP button on the pendant to raise the bath lift to the uppermost position.
4. Grasp the handgrip on the battery pack and pull upwards to remove it from the motor shroud.
5. Lower the seat onto the frame, ensuring that the slide block on the back of the chair slides down the two (2) grooves on the frame as shown in FIGURE 10.

*NOTE: The seat MUST be lowered onto the frame until the spring loaded chair release button locks in place and an audible "click" is heard.*

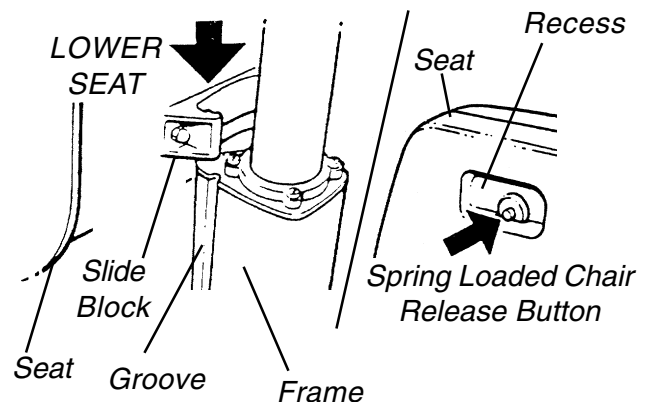


FIGURE 10 - INSTALLING THE SEAT

## **LIMITED WARRANTY**

PLEASE NOTE: THE WARRANTY BELOW HAS BEEN DRAFTED TO COMPLY WITH FEDERAL LAW APPLICABLE TO PRODUCTS MANUFACTURED AFTER JULY 4, 1975.

This warranty is extended only to the original purchaser/user of our products.

This warranty gives you specific legal rights and you may also have other legal rights which vary from state to state.

Invacare warrants its product to be free from defects in materials and workmanship for one (1) year for the original purchaser. If within such warranty period any such product shall be proven to be defective, such product shall be repaired or replaced, at Invacare's option. This warranty does not include any labor or shipping charges incurred in replacement part installation or repair of any such product. Invacare's sole obligation and your exclusive remedy under this warranty shall be limited to such repair and/or replacement.

For warranty service, please contact the dealer from whom you purchased your Invacare product. In the event you do not receive satisfactory warranty service, please write directly to Invacare at the address on the bottom of the page. Provide dealer's name, address, model number, date of purchase, indicate nature of the defect and, if the product is serialized, indicate the serial number.

Invacare Corporation will issue a return authorization. The defective unit or parts must be returned for warranty inspection using the serial number, when applicable, as identification within thirty (30) days of return authorization date. DO NOT return products to our factory without our prior consent. C.O.D. shipments will be refused; please prepay shipping charges.

**LIMITATIONS AND EXCLUSIONS: THE WARRANTY SHALL NOT APPLY TO PROBLEMS ARISING FROM NORMAL WEAR OR FAILURE TO ADHERE TO THE ENCLOSED INSTRUCTIONS. IN ADDITION, THE FOREGOING WARRANTY SHALL NOT APPLY TO SERIAL NUMBERED PRODUCTS IF THE SERIAL NUMBER HAS BEEN REMOVED OR DEFACED; PRODUCTS SUBJECTED TO NEGLIGENCE, ACCIDENT, IMPROPER OPERATION, MAINTENANCE OR STORAGE; OR PRODUCTS MODIFIED WITHOUT INVACARE'S EXPRESS WRITTEN CONSENT INCLUDING, BUT NOT LIMITED TO: MODIFICATION THROUGH THE USE OF UNAUTHORIZED PARTS OR ATTACHMENTS; PRODUCTS DAMAGED BY REASON OF REPAIRS MADE TO ANY COMPONENT WITHOUT THE SPECIFIC CONSENT OF INVACARE; PRODUCTS DAMAGED BY CIRCUMSTANCES BEYOND INVACARE'S CONTROL; PRODUCTS REPAIRED BY ANYONE OTHER THAN AN AUTHORIZED INVACARE DEALER, SUCH EVALUATION SHALL BE SOLELY DETERMINED BY INVACARE.**

THE FOREGOING WARRANTY IS EXCLUSIVE AND IN LIEU OF ALL OTHER EXPRESS WARRANTIES, IF ANY, INCLUDING THE IMPLIED WARRANTIES OF MERCHANTABILITY AND FITNESS FOR A PARTICULAR PURPOSE.

IT SHALL NOT EXTEND BEYOND THE DURATION OF THE EXPRESSED WARRANTY PROVIDED HEREIN AND THE REMEDY FOR VIOLATIONS OF ANY IMPLIED WARRANTY SHALL BE LIMITED TO REPAIR OR REPLACEMENT OF THE DEFECTIVE PRODUCT PURSUANT TO THE TERMS CONTAINED HEREIN. INVACARE SHALL NOT BE LIABLE FOR ANY CONSEQUENTIAL OR INCIDENTAL DAMAGES WHATSOEVER.

THIS WARRANTY SHALL BE EXTENDED TO COMPLY WITH STATE/PROVINCIAL LAWS AND REQUIREMENTS.

Invacare Corporation    [www.invacare.com](http://www.invacare.com)



**USA**  
One Invacare Way  
Elyria, Ohio USA  
44036-2125  
800-333-6900

Invacare is a registered trademark of Invacare Corporation.  
© 1999 Invacare Corporation

Form No. 98-321    Part No. 1085312    RevA (1)-1/00



## Free Manuals Download Website

<http://myh66.com>

<http://usermanuals.us>

<http://www.somanuals.com>

<http://www.4manuals.cc>

<http://www.manual-lib.com>

<http://www.404manual.com>

<http://www.luxmanual.com>

<http://aubethermostatmanual.com>

Golf course search by state

<http://golfingnear.com>

Email search by domain

<http://emailbydomain.com>

Auto manuals search

<http://auto.somanuals.com>

TV manuals search

<http://tv.somanuals.com>