



### SAVE THESE INSTRUCTIONS

*NOTE: Check all parts for shipping damage. In case of damage, DO NOT use. Contact Carrier/Invacare for further instructions.*

### SAFETY SUMMARY

The following recommendations are made for the safe and proper installation and use of the Contracture Footplate Retro Fit Kit:

#### GENERAL WARNINGS

**DO NOT** install this equipment without first reading and understanding this instruction sheet. If you are unable to understand the Warnings, Cautions and Instructions, contact a healthcare professional, dealer or technical personnel if applicable, before attempting to install this equipment - otherwise, injury or damage may occur.

#### INSTALLATION WARNINGS

After ANY adjustments, repair or service and BEFORE use, make sure that all attaching hardware is tightened securely.

**This kit contains the following:**

DESCRIPTION	QTY
Contracture Assembly (Right Side)	1
Contracture Assembly (Left Side)	1
Insert Tube (Crossmember Assembly)	1
Outer Tube (Crossmember Assembly)	1

## INSTALLING THE CONTRACTURE FOOTPLATE ASSEMBLY

### Installing the Crossmember Assembly (FIGURE 1)

*NOTE: Refer to the GENERAL WARNINGS and INSTALLATION WARNINGS in the SAFETY SUMMARY of this instruction sheet.*

*NOTE: Invacare recommends that two (2) people perform this procedure.*

*NOTE: Take note of position and orientation of the mounting hardware for reassembly.*

1. If necessary, remove the seating system from the wheelchair. Refer to the seating systems Owner's Manual supplied with the wheelchair.
2. Remove the seat pan. Refer to REMOVING/INSTALLING THE SEAT PAN in PROCEDURE 4 of the Service Manual, part number 1085787.

3. Remove the back canes. Refer to REMOVING/INSTALLING THE BACK CANES in PROCEDURE 5 of the Service Manual, part number 1085787.
4. Remove the allen screw, spacer and locknut that secure the link bracket to the lower seat frame as shown in DETAIL "A" of FIGURE 1.
5. Remove the shoulder screw and locknut securing the rear of the seat frame to the bearing housing as shown in DETAIL "A" of FIGURE 1.
6. Repeat STEPS 4-5 for opposite side of seat frame.
7. Lift up to remove the seat frame from the base frame.

*NOTE: When reassembling the seat frame, the front crossbrace will be replaced with the crossmember assembly (insert tube and outer tube) provided in this kit and will be secured with the EXISTING mounting screws.*

*NOTE: Right and left sides of the seat frame are determined by sitting in the wheelchair.*

8. On the left hand side of the seat frame, remove the two (2) EXISTING mounting screws and locknuts that secure the front and rear crossbraces to the brace supports of the seat frame as shown in DETAIL "B" of FIGURE 1.
9. Pull the left hand side of the seat frame away from the front and rear crossmembers.
10. Remove the EXISTING mounting screw, and locknut that secures the other end of the front crossbrace to the front right hand side brace support of the seat frame as shown in DETAIL "B" of FIGURE 1.
11. Remove the front crossbrace from the brace support and discard.
12. Insert one end of the insert tube into the front right hand side brace support.
13. Align mounting holes in the end of the insert tube with the brace support and secure with the EXISTING mounting screw and locknut.
14. Slide the outer tube over the insert tube as shown in DETAIL "B" of FIGURE 1.
15. Align the brace supports of the left hand side of the seat frame with the front and rear crossmembers.
16. Insert the front and rear crossmembers into the brace supports of the left hand side of the seat frame. Reinstall the two (2) EXISTING mounting screws and locknuts.

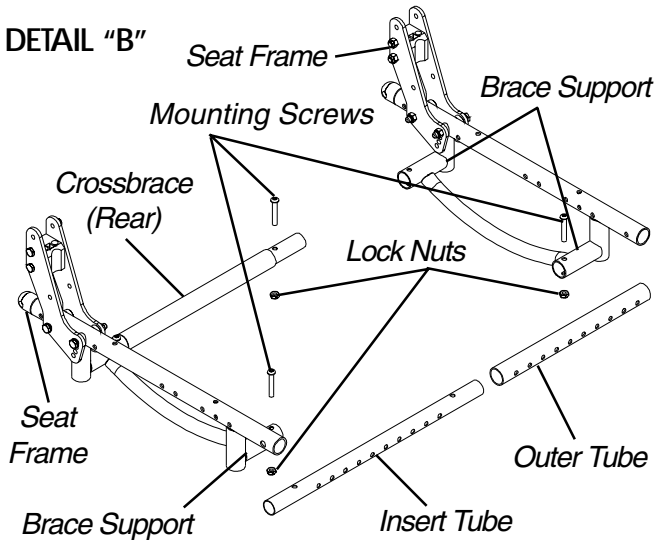
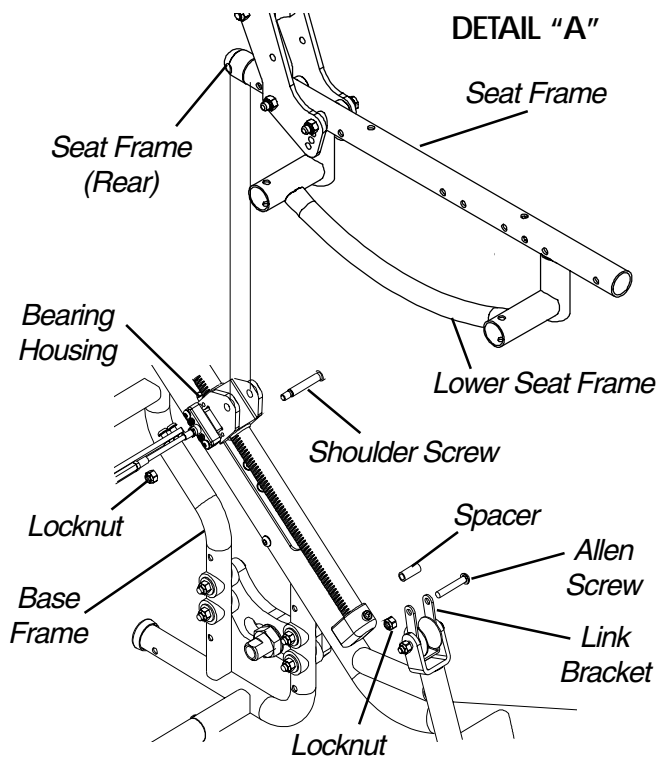


FIGURE 1 - INSTALLING THE CROSSMEMBER ASSEMBLY

### Installing the Contracture Assembly - Forward Mount (FIGURE 2)

NOTE: Refer to the GENERAL WARNINGS and INSTALLATION WARNINGS in the SAFETY SUMMARY of this instruction sheet.

NOTE: The number of mounting positions on the contracture assembly may vary due to the width of the wheelchair.

1. Align the mounting holes of the outer tube with the mounting holes of the insert tube of the crossmember assembly.

2. Align the mounting holes of the contracture footplate assembly with two (2) desired mounting positions of the crossmember assembly.
3. Secure the contracture assembly to the crossmember assembly with two (2) mounting screws, washers and locknuts provided. Securely tighten.
4. If necessary, repeat STEPS 1-6 for the other contracture assembly.

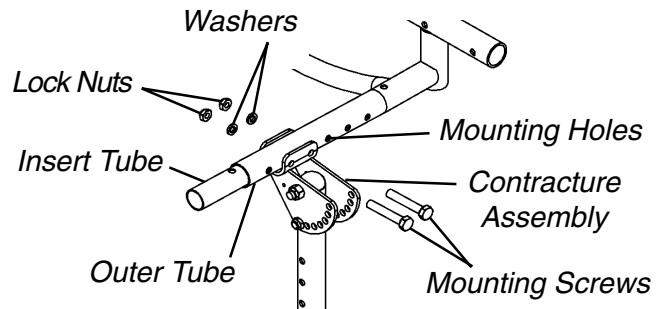


FIGURE 2 - REMOVING/INSTALLING THE CONTRACTURE ASSEMBLY - FORWARD MOUNT

### Installing the Contracture Assembly - Reversed Mount (FIGURE 3)

NOTE: Refer to the GENERAL WARNINGS and INSTALLATION WARNINGS in the SAFETY SUMMARY of this instruction sheet.

1. Remove the contracture footplate. Refer to CONTRACTURE FOOTPLATE HEIGHT ADJUSTMENT in this instruction sheet.
2. Align the mounting holes of the contracture footplate assembly with two (2) desired mounting positions of the crossmember assembly.
3. Secure the contracture assembly to the crossmember assembly with two (2) mounting screws, washers and locknuts provided. Securely tighten.
4. Reinstall the contracture footplate. Refer to CONTRACTURE FOOTPLATE HEIGHT ADJUSTMENT.
5. If necessary, repeat STEPS 1-4 for the other contracture assembly.

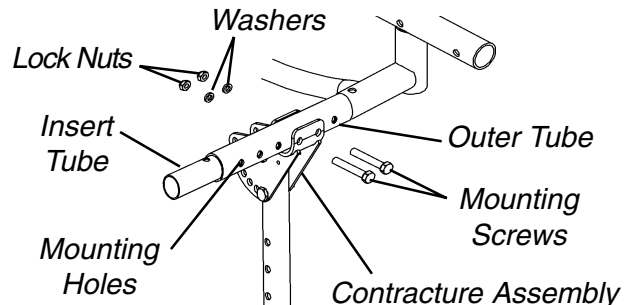
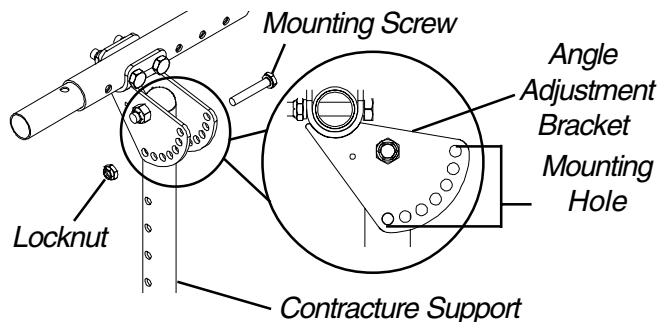


FIGURE 3 - REMOVING/INSTALLING THE CONTRACTURE ASSEMBLY - REVERSED MOUNT

## CONTRACTURE ASSEMBLY ANGLE ADJUSTMENT (FIGURE 4)

*NOTE: Refer to the GENERAL WARNINGS and INSTALLATION WARNINGS in the SAFETY SUMMARY of this instruction sheet.*

1. Remove the mounting screw and locknut used to lock the angle adjustment of the contracture assembly.
2. Lift the contracture support UP/DOWN to achieve the desired angle.
3. Align the mounting hole in the contracture support with one (1) of seven (7) mounting holes on the angle adjustment bracket.
4. Reinstall the mounting screw and locknut used to lock the angle adjustment of the contracture assembly. Securely tighten.
5. If necessary repeat STEPS 1-4 on remaining contracture assembly.



**FIGURE 4- CONTRACTURE ASSEMBLY ANGLE ADJUSTMENT**

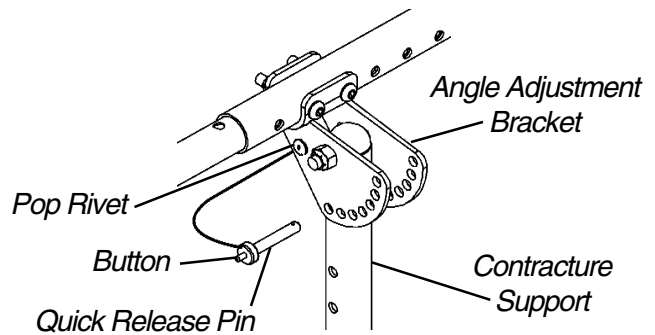
## USING THE OPTIONAL QUICK RELEASE PIN (FIGURE 5)

*NOTE: Refer to the GENERAL WARNINGS and INSTALLATION WARNINGS in the SAFETY SUMMARY of this instruction sheet.*

*NOTE: The Quick Release Pin replaces the mounting screw that is used to lock the angle adjustment of the contracture support.*

*NOTE: If not installed at time of shipment, the quick release pin must be installed by a qualified technician only, using a 1/8-inch pop rivet.*

1. Press the button on the quick release pin and insert through the contracture support and the angle adjustment bracket.
2. If necessary adjust the angle of the contracture assembly. Refer to CONTRACTURE ASSEMBLY ANGLE ADJUSTMENT in this instruction sheet.
3. Repeat STEPS 1-2 on the remaining contracture assembly.

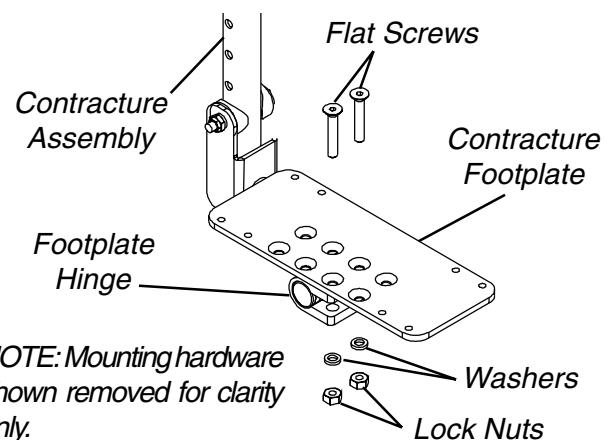


**FIGURE 5 - USING THE OPTIONAL QUICK RELEASE PIN**

## ANGLE ADJUSTMENT OF THE CONTRACTURE FOOTPLATE (FIGURE 6)

*NOTE: Refer to the GENERAL WARNINGS and INSTALLATION WARNINGS in the SAFETY SUMMARY of this instruction sheet.*

1. Loosen, but DO NOT, remove the two (2) flat screws, washers and locknuts that secure contracture footplate to the footplate hinge.
2. Tilt the contracture footplate UP/DOWN to achieve desired angle.
3. Retighten the two (2) flat screws, washers and locknuts that secures the contracture foot plate to the footplate hinge.
4. If necessary repeat STEPS 1-3 on remaining contracture footplate.



*NOTE: Mounting hardware shown removed for clarity only.*

**FIGURE 6 - ANGLE ADJUSTMENT OF THE CONTRACTURE FOOTPLATE**

## CONTRACTURE FOOTPLATE DEPTH ADJUSTMENT (FIGURE 7)

*NOTE: Refer to the GENERAL WARNINGS and INSTALLATION WARNINGS in the SAFETY SUMMARY of this instruction sheet.*

*NOTE: Observe the angle of the contracture footplate for reinstallation.*

1. Remove the two (2) flat screws, washers and locknuts that secure the contracture footplate to the footplate hinge.
2. Move the contracture footplate to one (1) of four (4) mounting hole.
3. Reinstall the two (2) flat screws, washers and locknuts that secures the contracture foot plate to the footplate hinge.

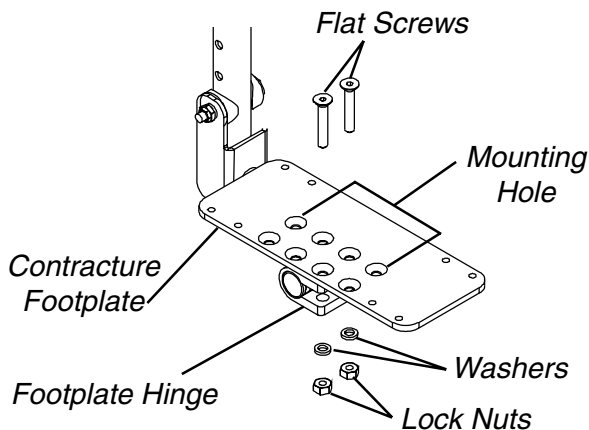


FIGURE 7 - CONTRACTURE FOOTPLATE DEPTH ADJUSTMENT

## CONTRACTURE FOOTPLATE HEIGHT ADJUSTMENT (FIGURE 8)

*NOTE: Refer to the GENERAL WARNINGS and INSTALLATION WARNINGS in the SAFETY SUMMARY of this instruction sheet.*

1. Remove the mounting screw, two (2) covered washer, washer and locknut that secure the footplate bracket to the contracture support.
2. Move the footplate bracket UP/DOWN to achieve desired height.
3. Align the mounting hole in the footplate bracket with one (1) of seven (7) mounting holes on the contracture support.

4. Secure the footplate bracket to the contracture support with the mounting screw, two (2) covered washers, washer and locknut. Securely tighten.
5. If necessary repeat STEPS 1-4 on remaining contracture footplate.

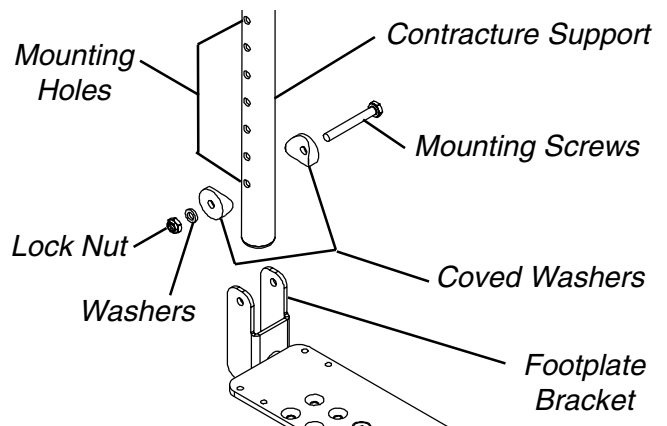


FIGURE 8 - CONTRACTURE FOOTPLATE HEIGHT ADJUSTMENT

## REPLACING THE CONTRACTURE FOOTPLATE HEEL LOOP (FIGURE 9)

*NOTE: Refer to the GENERAL WARNINGS and INSTALLATION WARNINGS in the SAFETY SUMMARY of this instruction sheet.*

1. Tilt the contracture footplate forward to gain access to the mounting screws that secure the heel loop to the underside of the contracture footplate. Refer to angle adjustment of the contracture footplate in this instruction sheet.
2. Remove the four (4) mounting screws and washers that secure the EXISTING heel loop to the contracture footplate.
3. Reverse STEPS 1-2 to install the NEW heel loop.

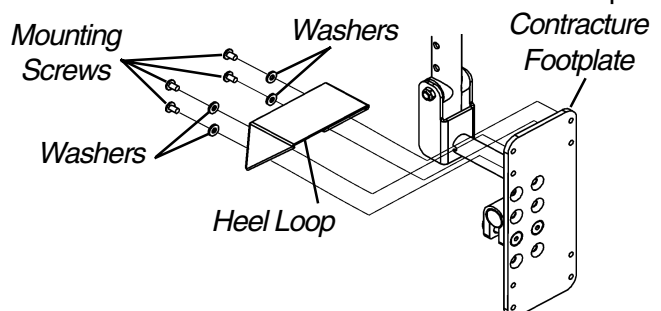


FIGURE 9 - REPLACING THE CONTRACTURE FOOTPLATE HEEL LOOP

Invacare Corporation

www.invacare.com



Yes, you can.™

**USA**  
One Invacare Way  
Elyria, Ohio USA  
44036-2125  
800-333-6900

**Canada**  
5970 Chedworth Way  
Mississauga, Ontario  
L5R 3T9, Canada  
905-890-8838

Invacare and "Yes, you can" are trademarks of Invacare Corporation.

© 2000 Invacare Corporation

Form No.00-97 Part No. 1095349 Rev A (1) 5/00

## Free Manuals Download Website

<http://myh66.com>

<http://usermanuals.us>

<http://www.somanuals.com>

<http://www.4manuals.cc>

<http://www.manual-lib.com>

<http://www.404manual.com>

<http://www.luxmanual.com>

<http://aubethermostatmanual.com>

Golf course search by state

<http://golfingnear.com>

Email search by domain

<http://emailbydomain.com>

Auto manuals search

<http://auto.somanuals.com>

TV manuals search

<http://tv.somanuals.com>