

Thumb Saver Wheel Lock



Assembly, Installation and Operating Instructions

Kit No. 1109379

Yes, you can!

SAVE THESE INSTRUCTIONS

NOTE: Check all parts for shipping damage. In case of damage, DO NOT use. Contact Carrier/Invacare for further instructions.

SAFETY SUMMARY

To ensure the safe and proper installation of the Thumb Saver Wheel Lock, these instructions MUST be followed:

GENERAL WARNING

DO NOT install this equipment without first reading and understanding this instruction sheet and the owner's manual provided with the wheelchair. If you are unable to understand the warnings, cautions and instructions, contact a healthcare professional, dealer or technical personnel if applicable, before attempting to install this equipment - otherwise, injury or damage may occur.

INSTALLATION WARNING

After **ANY** adjustments, repair or service and **BEFORE** use, make sure that all attaching hardware is tightened securely.

This kit contains the following items:

Description	Quantity
Thumb Saver Wheel Lock (RT)	1
Thumb Saver Wheel Lock (LT)	1
Wheel Lock Clamp	2

REPLACING/ADJUSTING THE WHEEL LOCKS (FIGURE 1)

NOTE: Before adjusting or replacing the wheel locks, ensure that the tires are inflated to the recommended psi on the sidewall of the tire.

REPLACING THE WHEEL LOCK

1. Loosen the hex screws and remove the existing wheel lock and clamp from the wheelchair.
2. Install the new wheel lock clamp onto the wheelchair frame. Tighten the hex screws securely.

ADJUSTING THE WHEEL LOCK

1. Engage the wheel locks.

NOTE: Any wheel lock adjustment should embed the wheel lock shoe at least 3/16-inch into the pneumatic tire (1/8-inch for urethane wheels) when engaged.

2. If necessary, loosen the hex screw(s) that secure the wheel locks to the wheelchair frame and adjust the position of the wheel lock until the 3/16-inch (1/8-inch for urethane wheels) measurement is obtained for correct wheel lock adjustment.
3. Securely tighten the hex screw(s).
4. Engage the wheel locks and push against the wheelchair and determine if the wheel locks engage the wheel enough to hold the wheelchair.
5. Repeat the above procedures until the wheel locks hold the wheelchair.

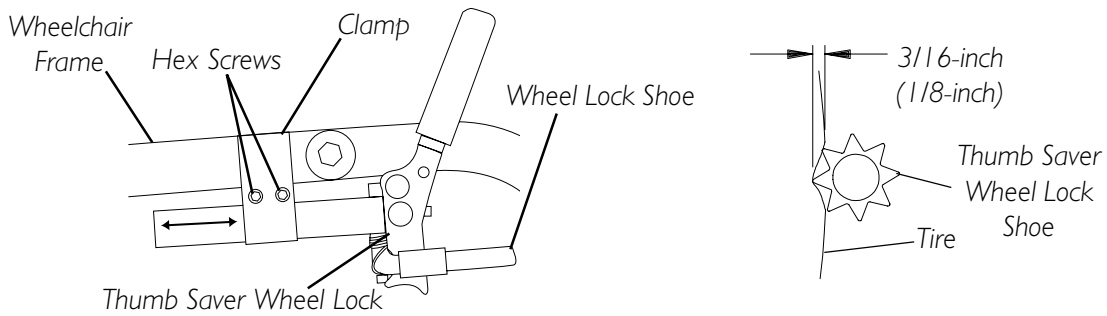


FIGURE I - REPLACING/ADJUSTING THE WHEEL LOCKS



Yes, you can.™

Invacare Corporation www.invacare.com

USA
 One Invacare Way
 Elyria, Ohio USA
 44036-2125
 800-333-6900

Canada
 570 Matheson Blvd E Unit 8
 Mississauga Ontario
 L4Z4G4 Canada
 800-668-5324

Invacare is a registered trademark of Invacare Corporation.
 Yes, you can. is a trademark of Invacare Corporation.
 © 2001 Invacare Corporation
 Rev A 1/02 Part No. 1106671

Free Manuals Download Website

<http://myh66.com>

<http://usermanuals.us>

<http://www.somanuals.com>

<http://www.4manuals.cc>

<http://www.manual-lib.com>

<http://www.404manual.com>

<http://www.luxmanual.com>

<http://aubethermostatmanual.com>

Golf course search by state

<http://golfingnear.com>

Email search by domain

<http://emailbydomain.com>

Auto manuals search

<http://auto.somanuals.com>

TV manuals search

<http://tv.somanuals.com>