

InTouch™ Propel™ Back

DEALER: This manual **MUST** be given to the user of this product.

USER: **BEFORE** using this product, read this manual and save for future reference.

For more information regarding
Invacare products, parts, and services,
please visit www.invacare.com



Yes, you can.

⚠ WARNING

DO NOT OPERATE THIS EQUIPMENT WITHOUT FIRST READING AND UNDERSTANDING THIS MANUAL. IF YOU ARE UNABLE TO UNDERSTAND THE WARNINGS, CAUTIONS AND INSTRUCTIONS CONTACT A QUALIFIED DEALER OR INVACARE TECHNICAL SUPPORT BEFORE ATTEMPTING TO USE THIS EQUIPMENT - OTHERWISE INJURY OR DAMAGE MAY RESULT.

NOTE: Updated versions of this manual are available on www.invacare.com.

SPECIAL NOTES

Signal words are used in this manual and apply to hazards or unsafe practices which could result in personal injury or property damage. Refer to the table below for definitions of the signal words.

SIGNAL WORD	MEANING
DANGER	Danger indicates an imminently hazardous situation which, if not avoided, will result in death or serious injury.
WARNING	Warning indicates a potentially hazardous situation which, if not avoided, could result in death or serious injury.
CAUTION	Caution indicates a potentially hazardous situation which, if not avoided, may result in property damage.

NOTICE

THE INFORMATION CONTAINED IN THIS DOCUMENT IS SUBJECT TO CHANGE WITHOUT NOTICE.

MAINTENANCE

Maintenance MUST be performed ONLY by qualified personnel.

Invacare products are specifically designed and manufactured for use in conjunction with Invacare accessories. Accessories designed by other manufacturers have not been tested by Invacare and are not recommended for use with Invacare products.

TABLE OF CONTENTS

SPECIAL NOTES	3
SECTION 1—GENERAL GUIDELINES	7
Important Information	7
Seating Pressure Warning.....	7
Installation Warnings.....	7
Maximum Weight Rating.....	8
SECTION 2—INSTALLING	9
Installation Overview	9
Installing Mounting Hardware	9
Installing/Removing the Propel Back	11
Adjusting the Propel Back Width.....	12
Installing/Removing the Propel Back Cushion.....	13
Installing the Cushion	13
SECTION 3—OPERATION	14
Adjusting the Propel Back Depth and Angle	14
SECTION 4—MAINTENANCE	15
Replacing Upholstery	15
Replacing Cushion	15
Cleaning Instructions	16
Back Assembly	16
Cover	16
Foam.....	16
LIMITED WARRANTY	17

REGISTER YOUR PRODUCT

The benefits of registering:

1. Safeguard your investment.
2. Ensure long term maintenance and servicing of your purchase.
3. Receive updates with product information, maintenance tips, and industry news.
4. Invacare can contact you or your provider, if servicing is needed on your product.
5. It will enable Invacare to improve product designs based on your input and needs.

Register ONLINE at www.invacare.com

- or -

Complete and mail the form on the next page



PRODUCT REGISTRATION FORM

Register **ONLINE** at www.invacare.com - or -
Complete and mail this form

Name _____

Address _____

City _____ State/Province _____

Zip/Postal Code _____

Email _____ Phone No. _____

Fold
here

Invacare Model No. _____ Serial No. _____

Purchased From _____ Date of Purchase: _____

1. Method of purchase: (check all that apply)

Medicare Insurance Medicaid Other _____

2. This product was purchased for use by: (check one)

Self Parent Spouse Other

3. Product was purchased for use at:

Home Facility Other

4. I purchased an Invacare product because:

Price Features (list features) _____

5. Who referred you to Invacare products? (check all that apply)

Doctor Therapist Friend Relative Dealer/Provider Other _____

Advertisement (circle one): TV, Radio, Magazine, Newspaper No Referral _____

6. What additional features, if any, would you like to see on this product?

Fold
here

7. Would you like information sent to you about Invacare products that may be available for a particular medical condition? Yes No

If yes, please list any condition(s) here and we will send you information by email and/or mail about any available Invacare products that may help treat, care for or manage such condition(s):

8. Would you like to receive updated information via email or regular mail about the Invacare home medical products sold by Invacare's dealers? Yes No

9. What would you like to see on the Invacare website?

10. Would you like to be part of future online surveys for Invacare products? Yes No

11. User's Year of birth: _____

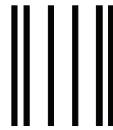
If at any time you wish not to receive future mailings from us, please contact us at Invacare Corporation, CRM Department, 39400 Taylor Parkway, Elyria, OH 44035, or fax to 877-619-7996 and we will remove you from our mailing list.

To find more information about our products, visit www.invacare.com.

Cut Along Line



Fold
here

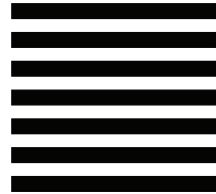


BUSINESS REPLY MAIL
FIRST-CLASS MAIL PERMIT NO. 196 ELYRIA OH

POSTAGE WILL BE PAID BY ADDRESSEE

INVACARE CORPORATION
CRM DEPARTMENT
39400 TAYLOR PARKWAY
ELYRIA OH 44035-9836

NO POSTAGE
NECESSARY
IF MAILED
IN THE
UNITED STATES

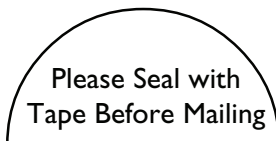


Cut Along Line

Fold
here



Invacare Product Registration Form



SECTION I—GENERAL GUIDELINES

⚠ WARNING

SECTION I - GENERAL GUIDELINES contains important information for the safe operation and use of this product. **DO NOT** use this product or any available optional equipment without first completely reading and understanding these instructions and any additional instructional material such as **Owner's Manuals, Service Manuals or Instruction Sheets** supplied with this product or optional equipment. If you are unable to understand the **Warnings, Cautions or Instructions**, contact a healthcare professional, dealer or technical personnel before attempting to use this equipment - otherwise, injury or damage may occur.

Important Information

The best way to avoid problems related to pressure sores is to understand their causes and your role in a skin management program.

Your therapist and physician should be consulted if you have any questions regarding weight relief, self-examination of skin, or individual limitations and needs.

All seating systems should be selected carefully. Working with your therapist, physician and equipment supplier is the best way to assure that a seating system choice matches your individual needs.

As the needs of the individual become more complex, the Propel Back evaluation becomes more important.

The Propel Back is not designed for use with tilt-in-space and/or recline model wheelchairs.

Seating Pressure Warning

Skin condition should be checked frequently after the installation and use of any new seating system.

Installation Warnings

After any adjustments, repair or service and before use, make sure that all attaching hardware is tightened securely.

DO NOT install the Propel Back assembly onto back canes with an outside diameter greater than 1-inch or less than .86-inch - otherwise injury or damage may occur.

Ensure the Propel Back is properly secured to the wheelchair before using.

The Propel Back **MUST** be resting flush against the tabs on the cane mounting brackets.

Both right and left back latches **MUST** be fully engaged.

⚠ WARNING

The position of the Propel Back is directly related to the wheelchair's stability. It may be necessary to reposition the front casters, rear wheels, back angle, and/or seat depth before use. Use **EXTREME** caution when using a new seating position.

Maximum Weight Rating

	16 - 21-INCH WIDTH
MAXIMUM WEIGHT RATING	300 lbs

SECTION 2—INSTALLING

⚠ WARNING

Check **ALL** fasteners periodically to ensure that mechanical connections and attaching hardware are tightened securely - otherwise injury or damage may occur. **DO NOT** continue to use this product if problems are discovered. Corrective maintenance can be performed at or arranged through your equipment supplier. The Propel Back is not designed for use with tilt-in-space and/or recline model wheelchairs.

Installation Overview

NOTE: For this procedure, refer to FIGURE 2.1.

1. Remove any existing back upholstery or back system from the chair before installation. Refer to Owner's Manual shipped with wheelchair.
2. Install mounting hardware. Refer to Installing Mounting Hardware on page 9.
3. Install Propel Back onto the wheelchair. Refer to Installing/Removing the Propel Back on page 11.
4. Make any necessary depth and/or angle adjustments. Refer to Adjusting the Propel Back Depth and Angle on page 14 and Adjusting the Propel Back Width on page 12.

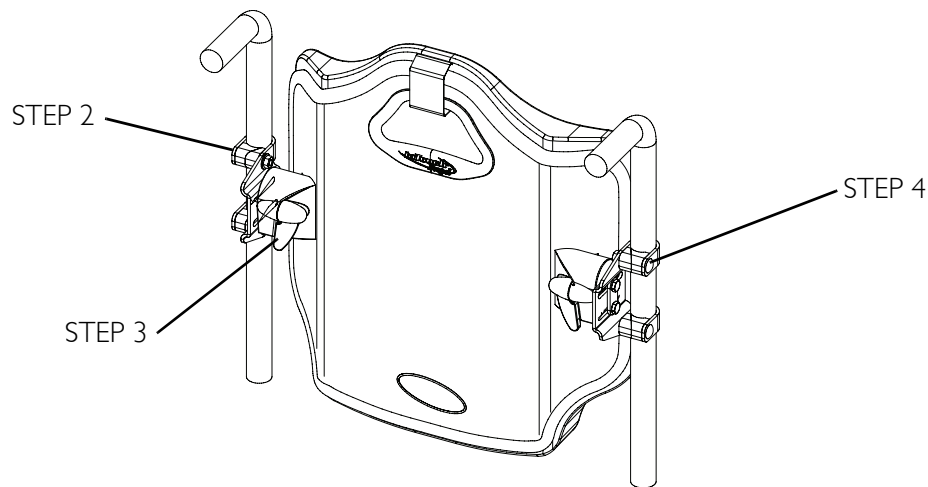


FIGURE 2.1 Installation Overview

Installing Mounting Hardware

NOTE: For this procedure, refer to FIGURE 2.2 on page 10.

NOTE: Cane brackets adjust to fit 7/8" to 1" back canes. No additional hardware is required.

1. Position the cane mounting bracket onto the back cane at the desired height.

NOTE: Ensure that the back tab is positioned towards the inside of the wheelchair and the round end is pointing upward.

2. Secure the cane mounting bracket and wedge blocks to the back cane with the two mounting bolts and hex nuts. Hand tighten securely.

NOTE: Some wheelchairs have adjustable back canes that are both 7/8" and 1". Ensure the wedge blocks are completely on either the 7/8" or 1" section and not straddling the two. Refer to Detail "A" in FIGURE 2.2.

NOTE: It may be necessary to raise or lower the back canes to achieve the desired bracket placement. Refer to Owner's Manual shipped with wheelchair.

3. Repeat STEPS 1 and 2 for the other cane mounting bracket.

NOTE: Cane mounting brackets MUST be parallel to each other.

4. Using the wrench supplied or 7/16 socket wrench, securely tighten the mounting bolts.

NOTE: DO NOT tighten the mounting bolts until the back height has been adjusted correctly.

NOTE: Check the alignment of the mounting brackets before tightening.

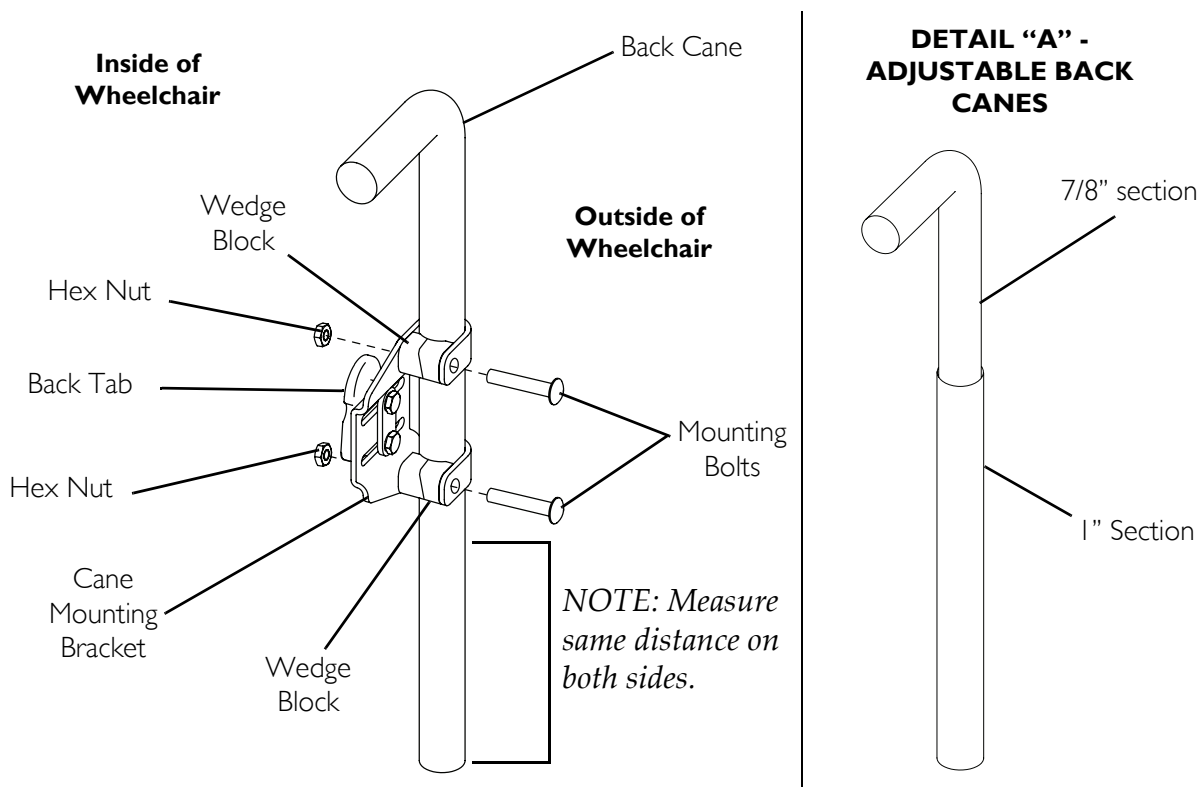


FIGURE 2.2 Installing Mounting Hardware

Installing/Removing the Propel Back

⚠ WARNING

The position of the Propel Back is directly related to the chair's stability. It may be necessary to reposition the front casters, rear wheels, back angle, and/or seat depth before use. Use **EXTREME** caution when using a new seating position.

NOTE: For this procedure, refer to FIGURE 2.3 on page 11.

NOTE: To remove the back, reverse this procedure.

NOTE: If the Propel Back does not fit properly on the back canes, the back width may need to be adjusted. Refer to Adjusting the Propel Back Width on page 12.

1. Align the back latch brackets with the tabs on the cane mounting brackets.
2. Push up the back latches into the unlocked position.

NOTE: The back latches on the back latch brackets must be in the up (unlocked) position to install or remove the back from the wheelchair.

3. Install the back latch brackets onto the tabs.

NOTE: Ensure the back latches rest flush on the tabs.

4. Push the back latches down (locked position) to secure the back to the tabs. Refer to Detail "A" of FIGURE 2.3.
5. After installation and before use, pull up on the back to ensure it is locked.

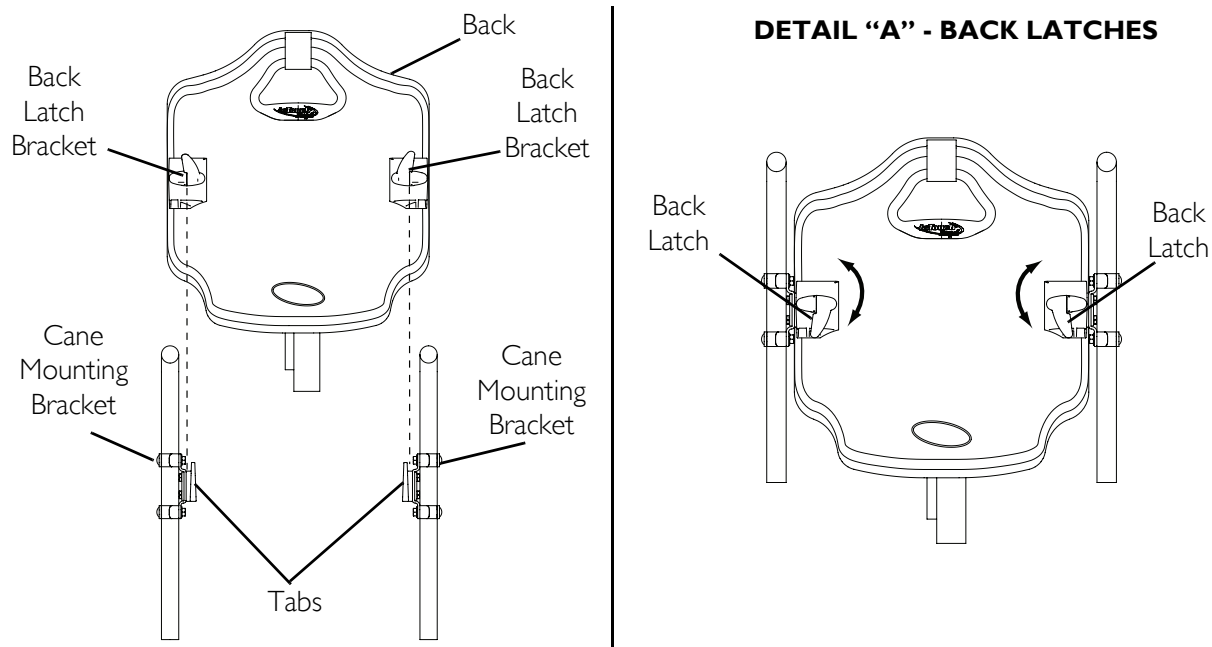


FIGURE 2.3 Installing/Removing the Propel Back

Adjusting the Propel Back Width

NOTE: For this procedure, refer to FIGURE 2.4.

1. Remove the cushion from the back frame. Refer to [Installing/Removing the Propel Back Cushion](#) on page 13.
2. Loosen, but DO NOT remove, the two mounting bolts and washers that secure the cane mounting bracket to the back frame.
3. Move the cane mounting brackets to the desired position.

NOTE: Keep the back frame centered for proper positioning.

4. Carefully set the back onto the back tabs.
5. Adjust the mounting brackets on both sides for desired fit keeping back centered.
6. Tighten the mounting bolts securely.
7. Replace the cushion. Refer to [Installing/Removing the Propel Back Cushion](#) on page 13.
8. Check the back height, adjust cane mounting bracket if necessary. Refer to [Installing Mounting Hardware](#) on page 9.

NOTE: Most wheelchairs' back canes are not fully vertical. Adjust the width of the brackets on the back frame to match. If the Propel Back seems too loose or too tight, the brackets can be manually adjusted to increase or decrease the amount of effort required to install or remove the back from the chair. This adjustment may also be used to reduce back noise caused by movement in the wheelchair.

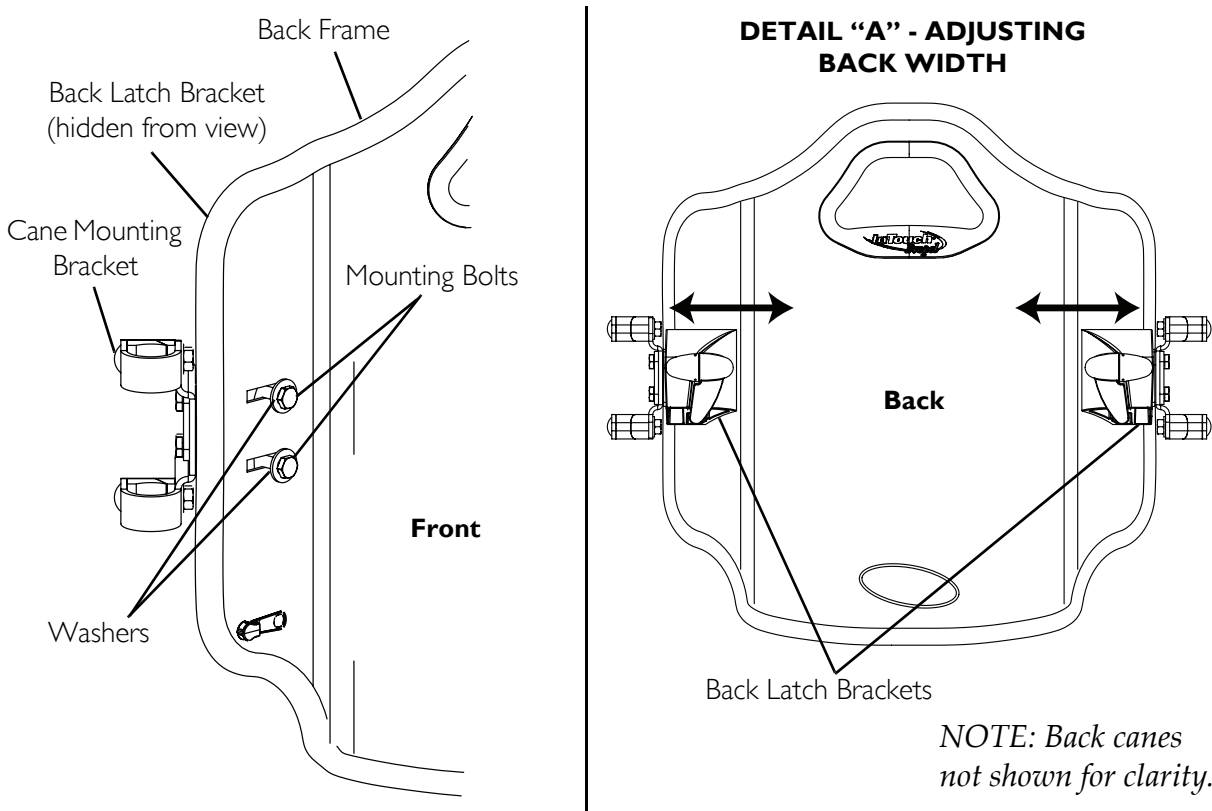


FIGURE 2.4 Adjusting the Propel Back Width

Installing/Removing the Propel Back Cushion

NOTE: For this procedure, refer to FIGURE 2.5.

NOTE: To remove the cushion, reverse this procedure.

Installing the Cushion

1. Secure the hook-and-loop strap at the top of the cushion to the hook-and-loop strip above the handgrip on the back frame.
2. Secure the cushion to the back frame with hook-and-loop strips on the rear of the cushion.

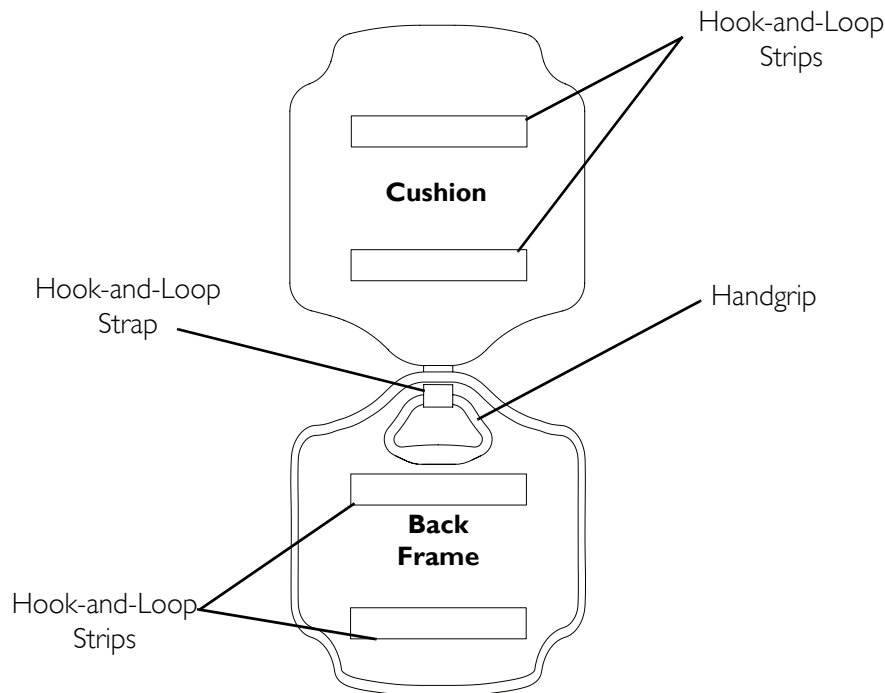


FIGURE 2.5 Installing/Removing the Propel Back

SECTION 3—OPERATION

⚠ WARNING

Check **ALL** fasteners periodically to ensure that mechanical connections and attaching hardware are tightened securely - otherwise injury or damage may occur. **DO NOT** continue to use this product if problems are discovered. Corrective maintenance can be performed at or arranged through your equipment supplier.

Adjusting the Propel Back Depth and Angle

NOTE: For this procedure, refer to FIGURE 3.1.

1. Loosen, but **DO NOT** remove, the hex bolts securing the back tab to the cane mounting brackets on both sides.
2. Adjust the back to the desired angle and/or depth.

NOTE: Use the measurement marks for as a reference to align the left and right sides.

3. Tighten the hex bolts securing the back tabs to the cane mounting brackets.

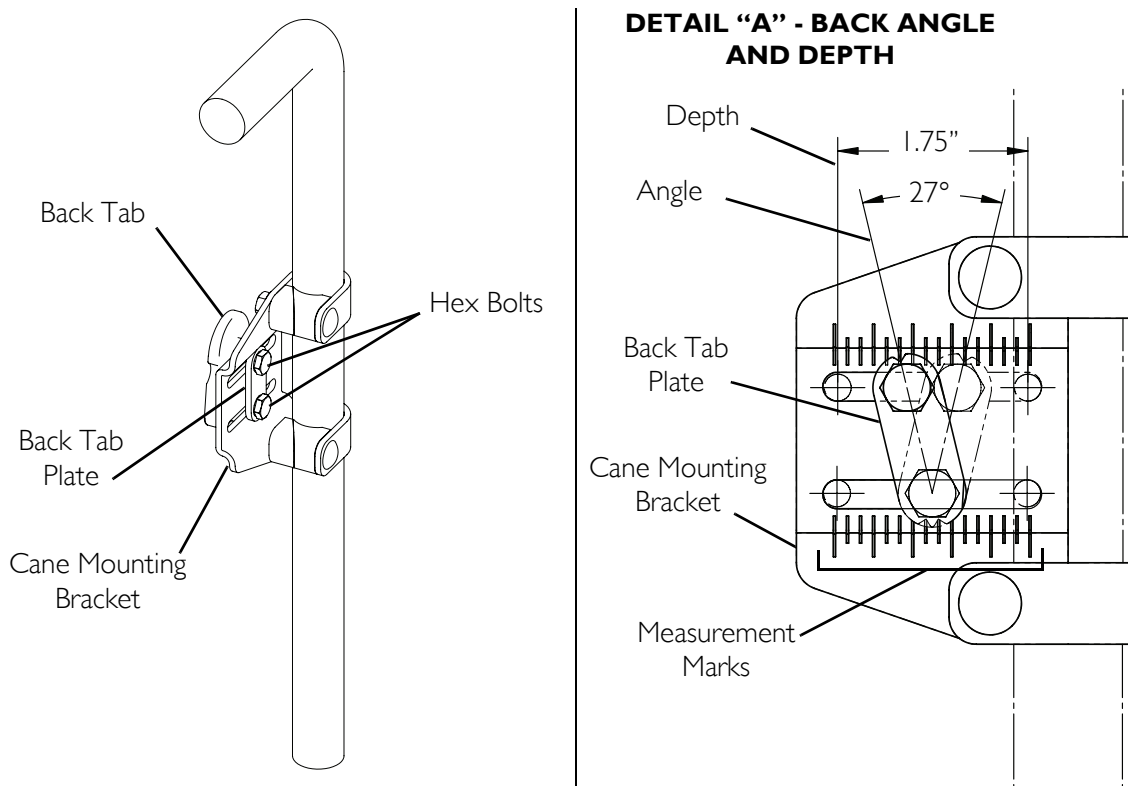


FIGURE 3.1 Adjusting the Propel Back Depth and Angle

SECTION 4—MAINTENANCE

⚠ WARNING

Check **ALL** fasteners periodically to ensure that mechanical connections and attaching hardware are tightened securely - otherwise injury or damage may occur.

DO NOT continue to use this product if problems are discovered. Corrective maintenance can be performed at or arranged through your equipment supplier.

Maintenance **MUST** be performed **ONLY** by qualified personnel.

Replacing Upholstery

NOTE: For this procedure, refer to FIGURE 4.1.

1. Remove the back cushion from the back frame. Refer to [Installing/Removing the Propel Back Cushion](#) on page 13.
2. Unzip the upholstery on the back of the cushion.
3. Remove the foam from the upholstery.
4. Install the foam into new upholstery.
5. Zip the new upholstery.
6. Install the cushion to the back frame. Refer to [Installing/Removing the Propel Back Cushion](#) on page 13.

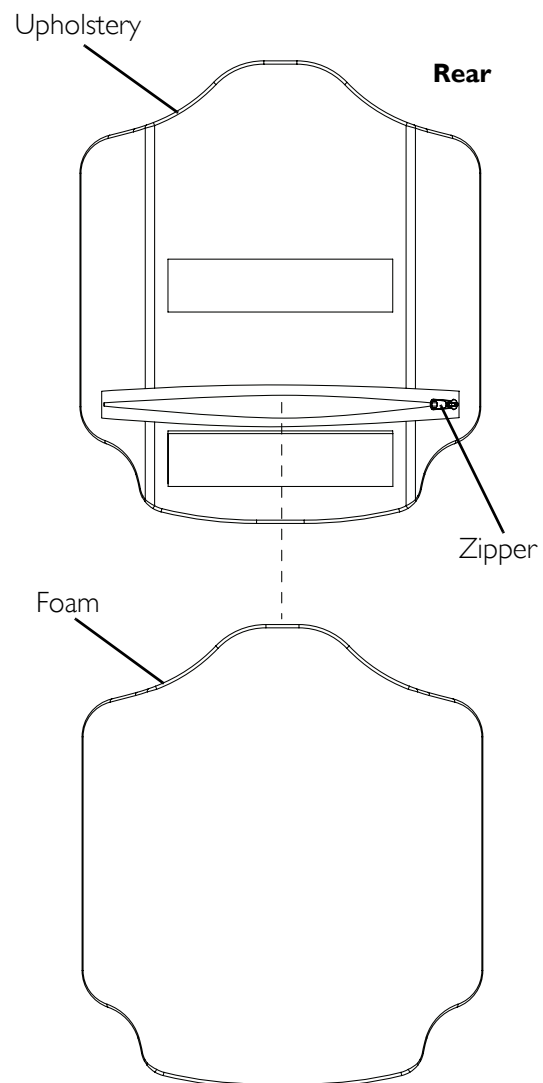


FIGURE 4.1 Replacing Upholstery - Replacing Cushion

Replacing Cushion

NOTE: For this procedure, refer to FIGURE 4.1.

1. Remove the back cushion from the back frame. Refer to [Installing/Removing the Propel Back Cushion](#) on page 13.
2. Unzip the upholstery on the back of the cushion.
3. Remove the foam from the upholstery.
4. Install the new cushion into the cover.
5. Zip the cover.
6. Install the back cushion to the back frame. Refer to [Installing/Removing the Propel Back Cushion](#) on page 13.

Cleaning Instructions

Back Assembly

Clean weekly with dampened cloth. Wipe entire surface.

Weekly visual inspection of parts including hardware, brackets, upholstery materials, foams (if accessible), and plastics, for deformation, corrosion, breakage, wear or compression.

Cover

CAUTION

Machine wash cold. Gentle cycle. Mild detergent. NO fabric softeners or bleach. DO NOT machine dry. Air dry ONLY out of sun.

Foam

Replace back foam if it becomes contaminated because of incontinence. The back foam is absorbent and cannot be cleaned.

⚠ WARNING

The cover is designed to protect the foam against a user's incontinence and to provide fire retardant so the cushion must not be used without its cover. If the cover is torn, it must be replaced.

Continued use with absent or damaged cover by an incontinent user can result in severe skin irritation, infection, and other skin care issues.

LIMITED WARRANTY

PLEASE NOTE: THE WARRANTY BELOW HAS BEEN DRAFTED TO COMPLY WITH FEDERAL LAW APPLICABLE TO PRODUCTS MANUFACTURED AFTER JULY 4, 1975.

This warranty is extended only to the original purchaser/user of our products.

This warranty gives you specific legal rights and you may also have other legal rights which vary from state to state.

Invacare warrants its product to be free from defects in materials and workmanship for a period of two years from date of purchase. If within such warranty period any such product shall be proven to be defective, such product shall be repaired or replaced, at Invacare's option. This warranty does not include any labor or shipping charges incurred in replacement part installation or repair of any such product. Invacare's sole obligation and your exclusive remedy under this warranty shall be limited to such repair and/or replacement.

For warranty service, please contact the dealer from whom you purchased your Invacare product. In the event you do not receive satisfactory warranty service, please write directly to Invacare at the address below, provide dealer's name, address, and the date of purchase, indicate nature of the defect and, if the product is serialized, indicate the serial number. Do not return products to our factory without our prior consent.

LIMITATIONS AND EXCLUSIONS: THE FOREGOING WARRANTY SHALL NOT APPLY TO SERIAL NUMBERED PRODUCTS IF THE SERIAL NUMBER HAS BEEN REMOVED OR DEFACED, PRODUCTS SUBJECTED TO NEGLIGENCE, ACCIDENT, IMPROPER OPERATION, MAINTENANCE OR STORAGE, COMMERCIAL OR INSTITUTIONAL USE, PRODUCTS MODIFIED WITHOUT INVACARE'S EXPRESS WRITTEN CONSENT INCLUDING, BUT NOT LIMITED TO, MODIFICATION THROUGH THE USE UNAUTHORIZED PARTS OR ATTACHMENTS; PRODUCTS DAMAGED BY REASON OF REPAIRS MADE TO ANY COMPONENT WITHOUT THE SPECIFIC CONSENT OF INVACARE, OR TO A PRODUCT DAMAGED BY CIRCUMSTANCES BEYOND INVACARE'S CONTROL, AND SUCH EVALUATION WILL BE SOLELY DETERMINED BY INVACARE. THE WARRANTY SHALL NOT APPLY TO PROBLEMS ARISING FROM NORMAL WEAR OR FAILURE TO ADHERE TO THESE INSTRUCTIONS.

THE FOREGOING WARRANTY IS EXCLUSIVE AND IN LIEU OF ANY OTHER WARRANTIES WHATSOEVER, WHETHER EXPRESSED OR IMPLIED, INCLUDING THE IMPLIED WARRANTIES OF MERCHANTABILITY AND FITNESS FOR A PARTICULAR PURPOSE, AND THE SOLE REMEDY FOR VIOLATIONS OF ANY WARRANTY WHATSOEVER, SHALL BE LIMITED TO REPAIR OR REPLACEMENT OF THE DEFECTIVE PRODUCT PURSUANT TO THE TERMS CONTAINED HEREIN. THE APPLICATION OF ANY IMPLIED WARRANTY WHATSOEVER SHALL NOT EXTEND BEYOND THE DURATION OF THE EXPRESS WARRANTY PROVIDED HEREIN. INVACARE SHALL NOT BE LIABLE FOR ANY CONSEQUENTIAL OR INCIDENTAL DAMAGES WHATSOEVER.

THIS WARRANTY SHALL BE EXTENDED TO COMPLY WITH STATE/PROVINCIAL LAWS AND REQUIREMENTS.

⚠ AVERTISSEMENT

NE PAS UTILISER CE MATÉRIEL SANS AVOIR D'ABORD BIEN LU ET COMPRIS CES INSTRUCTIONS. SI VOUS N'ÊTES PAS CAPABLE DE COMPRENDRE LES AVERTISSEMENTS, DANGERS ET INSTRUCTIONS, CONTACTEZ UN REPRÉSENTANT QUALIFIÉ OU LE SUPPORT TECHNIQUE D'INVACARE AVANT D'ESSAYER D'UTILISER CET ÉQUIPEMENT - SOUS RISQUE DE BLESSURE OU DÉGÂTS MATÉRIELS.

REMARQUE: Les mises à jour de ce manuel sont disponibles sur www.invacare.com.

REMARQUES SPÉCIALES

Des mots clés sont utilisés dans ce manuel pour signaler des risques ou des manœuvres dangereuses qui pourraient provoquer des blessures ou des dégâts matériels. Consultez le tableau ci-dessous pour la définition de ces mots clés.

MOT CLÉ	SIGNIFICATION
DANGER	Danger signale une situation dangereuse imminente qui, si elle n'est pas évitée, va provoquer une blessure sérieuse voir fatale.
AVERTISSEMENT	Avertissement indique une situation potentiellement dangereuse qui, si elle n'est pas évitée, pourrait provoquer une blessure sérieuse voir fatale.
ATTENTION	Attention indique une situation potentiellement dangereuse qui, si elle n'est pas évitée, pourrait provoquer des dégâts matériels.

NOTE

LES INFORMATIONS DONNÉES DANS CE MANUEL SONT SUJETTES À MODIFICATIONS SANS PRÉAVIS

ENTRETIEN

L'entretien **DOIT** être effectué **UNIQUEMENT** par du personnel qualifié.

Les produits Invacare sont conçus et fabriqués spécifiquement pour utilisation avec les accessoires Invacare. Les accessoires conçus par d'autres fabricants n'ont pas été testés par Invacare et leur utilisation n'est pas conseillée avec les produits Invacare.

TABLE DES MATIÈRES

REMARQUES SPÉCIALES	19
SECTION 1—DIRECTIVES GÉNÉRALES	21
Remarque Importante	21
Avertissement au Sujet des Points de Pression.....	21
Avertissements au Sujet de L'installation.....	21
Charge Maximum	22
SECTION 2—INSTALLATION	23
Aperçu Général de L'installation	23
Installation des Ferrures de Montage	24
Installation/Dépose du Dossier Propel.....	25
Réglage de la Largeur du Dossier Propel.....	26
Installation/ Dépose du Coussin du Dossier Propel	27
Installation du Coussin.....	27
SECTION 3—FONCTIONNEMENT	28
Réglage de la profondeur et de l'angle du dossier Propel.....	28
SECTION 4—ENTRETIEN	29
Remplacement de la Garniture	29
Remplacement du Coussin.....	29
Instructions de Nettoyage.....	30
Ensemble du Dossier.....	30
Garniture	30
Mousse.....	30
GARANTIE LIMITÉE	31

SECTION I—DIRECTIVES GÉNÉRALES

⚠ AVERTISSEMENT

SECTION I – Ces DIRECTIVES GÉNÉRALES comprennent des informations importantes pour une utilisation sans risques de ce produit. N'UTILISEZ PAS ce produit ou des accessoires optionnels sans avoir d'abord lu entièrement et sans avoir compris ces instructions ou tout matériel éducatif supplémentaire tel que des Manuels de l'Utilisateur, des Manuels d'Entretien ou des feuillets de Mode d'Emploi accompagnant ces produits ou les accessoires optionnels. Si vous n'êtes pas en mesure de comprendre les Avertissements, Attentions, ou Instructions, contactez un membre du corps médical, un distributeur ou le personnel technique avant d'essayer d'utiliser cet équipement, sous risque de blessure ou dégâts matériels.

Remarque Importante

Le meilleur moyen d'éviter les problèmes liés aux escarres est de bien en comprendre la cause et de comprendre votre rôle dans un programme de soins de la peau.

Consultez votre médecin ou votre thérapeute si vous avez des questions concernant un soulagement de votre poids, l'auto examen de la peau ou des limitations ou besoins spécifiques personnels.

Tous les systèmes de sièges doivent être sélectionnés méticuleusement. Le meilleur moyen pour vous assurer que le siège choisis répond à vos besoins individuels est de travailler en coopération avec votre thérapeute, votre médecin ou votre fournisseur.

Plus les besoins d'un patient deviennent complexes, plus l'évaluation du dossier Propel devient importante.

Le dossier Propel n'est pas conçu pour utilisation avec des chaises d'invalides des modèles basculants et/ou tilt-in-space.

Avertissement au Sujet des Points de Pression

La condition de la peau doit être vérifiée fréquemment après l'installation et l'utilisation d'un nouveau système de siège.

Avertissements au Sujet de L'installation

Après tout réglage, réparation ou entretien et avant de remettre en service, assurez-vous que toutes les ferrures de montage soient bien fermes.

NE PAS installer le dossier Propel sur des cannes de dossier dont le diamètre extérieur est supérieur à 1 po (25 mm) ou inférieur à 0,86 po (22 mm) sous risque de blessure ou dégâts.

Avant utilisation, assurez-vous que le dossier Propel est correctement fixé à la chaise d'invalides.

Le dossier Propel DOIT être à ras contre les agrafes des supports de montage des cannes. Les deux verrous du dossier, gauche et droit, doivent être engagés à fond.

⚠ AVERTISSEMENT

La position du dossier Propel est directement liée à la stabilité de la chaise d'invalidé. Avant utilisation, il pourrait être nécessaire de changer la position des roulettes avant, des roulettes arrière, l'angle du dossier et/ou la profondeur du siège. Soyez **EXTRÊMEMENT** prudent lorsque vous adoptez une nouvelle position d'assise.

Charge Maximum

	LARGEUR DE 16 À 21 PO (406 À 533 MM)
CHARGE MAXIMUM	136 kg (300 lbs)

SECTION 2—INSTALLATION

⚠️ AVERTISSEMENT

Vérifiez **TOUTES** les fixations à intervalle régulier pour vous assurer que les connexions mécaniques et les ferrures de montage soient bien serrés, sous risque de blessure ou dégâts.

CESSEZ d'utiliser ce produit si vous découvrez un problème. Une réparation peut être effectuée chez votre distributeur ou organisée par son intermédiaire.

Le dossier Propel n'est pas conçu pour utilisation avec les chaises d'invalidé tilt-in-space et/ou les modèles basculants.

Aperçu Général de L'installation

REMARQUE: Pour cette procédure, se référer à la FIGURE 2.1.

1. Avant installation, enlevez toute garniture existante ou le système de dossier de la chaise. Consultez le mode d'emploi venant avec la chaise.
2. Installez les ferrures de montage. Consultez Installation des Ferrures de Montage de la page 24.
3. Installez le dossier Propel sur la chaise. Consultez Installation/Dépose du Dossier Propel de la page 25.
4. Procédez aux réglages de profondeur et/ou d'angle suivant besoin. Consultez Réglage de la profondeur et de l'angle du dossier Propel de la page 28 et Consultez Réglage de la Largeur du Dossier Propel de la page 26.

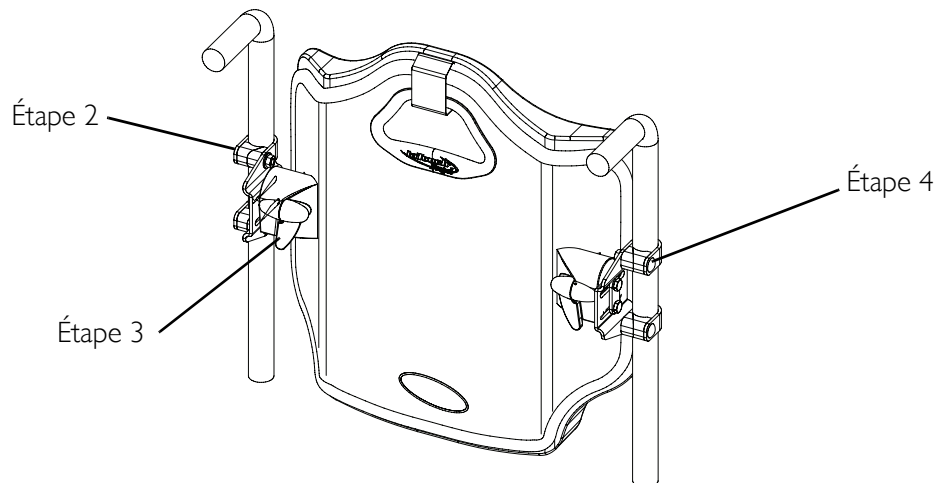


FIGURE 2.1 Aperçu Général de L'installation

Installation des Ferrures de Montage

REMARQUE: Pour cette procédure, se référer à la FIGURE 2.2.

REMARQUE: Les supports sur les cannes s'adaptent à des cannes de dossier de 22,2 mm (7/8 po) à 25,4 mm (1 po). Il ne faut pas de ferrure supplémentaire.

1. Mettez en position le support de montage de la canne sur la canne de dossier à la hauteur voulue.

REMARQUE: Assurez-vous que l'onglet du dossier est dirigé vers l'intérieur de la chaise et que l'extrémité ronde pointe vers le haut.

2. Attachez le support de montage de la canne et les cales à la canne de dossier avec les deux jeux de vis et écrous. Serrez à la main.

REMARQUE: Certaines chaises ont des cannes de dossier réglables de diamètres de 22,2 mm (7/8 po) et 25,4 mm (1 po). Assurez-vous que les cales soient entièrement soit sur la section de 22,2 mm (7/8 po) ou 25,4 mm (1 po) et ne soient pas à cheval sur les deux. Voir le détail « A » de la figure 2.2.

REMARQUE: Il pourrait être nécessaire de monter ou de descendre les cannes de dossier pour obtenir le bon emplacement pour les supports. Consultez le manuel du propriétaire accompagnant la chaise.

3. Reprenez les étapes 1 et 2 pour l'autre support de montage des cannes.

REMARQUE: Les supports de montage des cannes **DOIVENT** être parallèles.

4. Avec la clé fournie ou avec une clé à douille, serrez fermement les écrous de montage.

REMARQUE: **NE PAS** serrer les écrous de montage tant que la hauteur du dossier n'ait pas été réglée correctement.

REMARQUE: Avant serrage, vérifiez l'alignement des supports de montage.

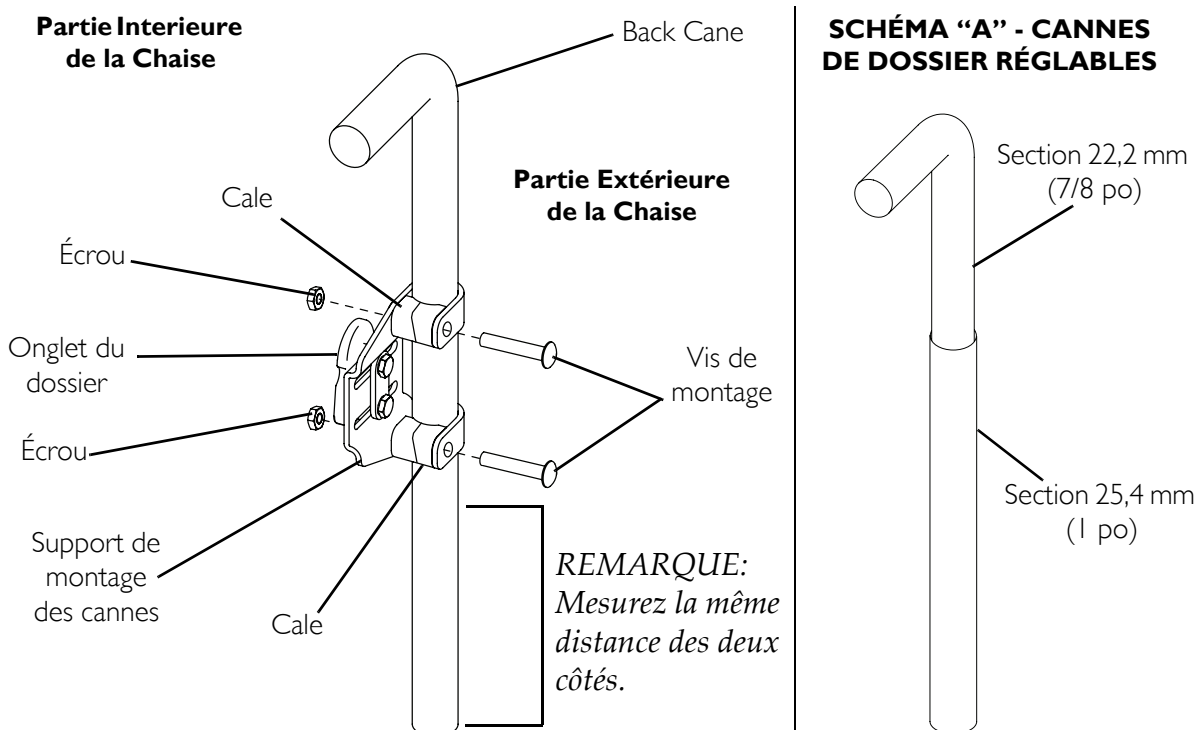


FIGURE 2.2 Installation des Ferrures de Montage

Installation/Dépose du Dossier Propel

⚠ AVERTISSEMENT

La position du dossier Propel est en relation directe avec la stabilité de la chaise. Avant utilisation, il pourrait être nécessaire de changer la position des roulettes avant, des roulettes arrière, l'angle du dossier et/ou la profondeur du siège. Soyez **EXTRÊMEMENT** prudent lorsque vous adoptez une nouvelle position d'assise.

REMARQUE: Pour cette procédure, se référer à la FIGURE 2.3 page 25.

REMARQUE: Pour enlever le dossier, procédez en sens inverse.

REMARQUE: Si le dossier Propel ne s'adapte pas bien aux cannes du dossier, il faudrait peut être régler la largeur du dossier. Consultez Réglage de la Largeur du Dossier Propel de la page 26.

1. Alignez les supports de verrous du dossier avec les onglets sur les supports de montage des cannes.
2. Poussez les verrous du dossier vers le haut en position déverrouillée.

REMARQUE: Les verrous du dossier sur les supports de verrous du dossier doivent être en position haute (déverrouillée) pour l'installation ou la dépose du dossier de la chaise.

3. Installez les supports de verrous du dossier sur les onglets.

REMARQUE: Assurez-vous que les verrous du dossier soient à ras avec les onglets

4. Poussez les verrous du dossier vers le bas (position verrouillée) pour bloquer le dossier sur les onglets. Voir le détail « A » de la figure 2.3

5. Après l'installation et avant usage, tirez sur le dossier pour vous assurer qu'il est verrouillé.

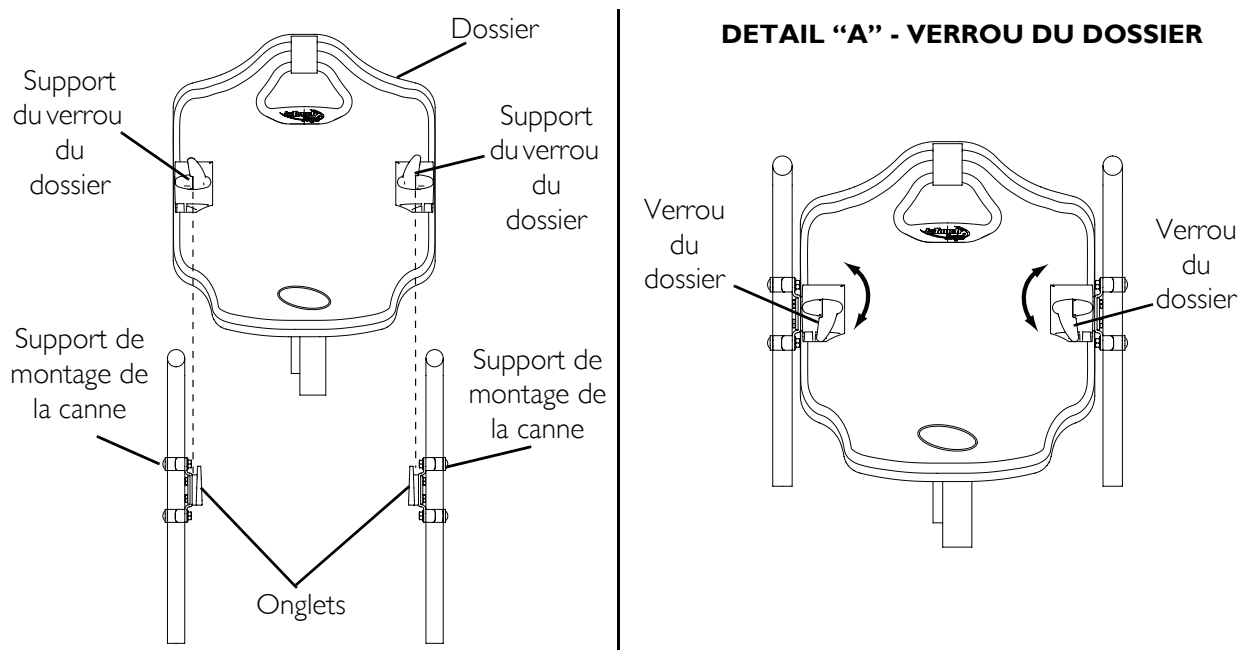


FIGURE 2.3 Installation/Dépose du Dossier Propel

Réglage de la Largeur du Dossier Propel

REMARQUE: Pour cette procédure, se référer à la FIGURE 2.4.

1. Enlevez le coussin du châssis du dossier. Consultez Installation/ Dépose du Coussin du Dossier Propel de la page 27.
2. Desserrez, mais n'enlevez PAS les deux vis de montage et rondelles qui attachent les supports de montage des cannes sur le châssis du dossier.
3. Déplacez les supports de montage des cannes en position voulue.

REMARQUE: Maintenez le châssis du dossier centré pour obtenir un positionnement correct.

4. Installez soigneusement le dossier sur les onglets.
5. Réglez les supports de montage des deux côtés pour un bon maintien tout en gardant le dossier centré.
6. Serrez fermement les vis de montage.
7. Remettez le coussin. Consultez Installation/ Dépose du Coussin du Dossier Propel de la page 27.
8. Vérifiez la hauteur du dossier, réglez le support de montage de la canne si nécessaire. Consultez Installation des Ferrures de Montage de la page 24.

REMARQUE: Les cannes de dossier de la plupart des chaises ne sont pas absolument verticales. Réglez la largeur des supports du châssis du dossier en conséquence. Si le dossier Propel semble trop lâche ou trop serré, les supports savent être réglés manuellement pour augmenter ou diminuer la force requise pour installer ou enlever le dossier de la chaise. Ce réglage peut également être utilisé pour réduire le bruit du dossier causé par les mouvements dans la chaise..

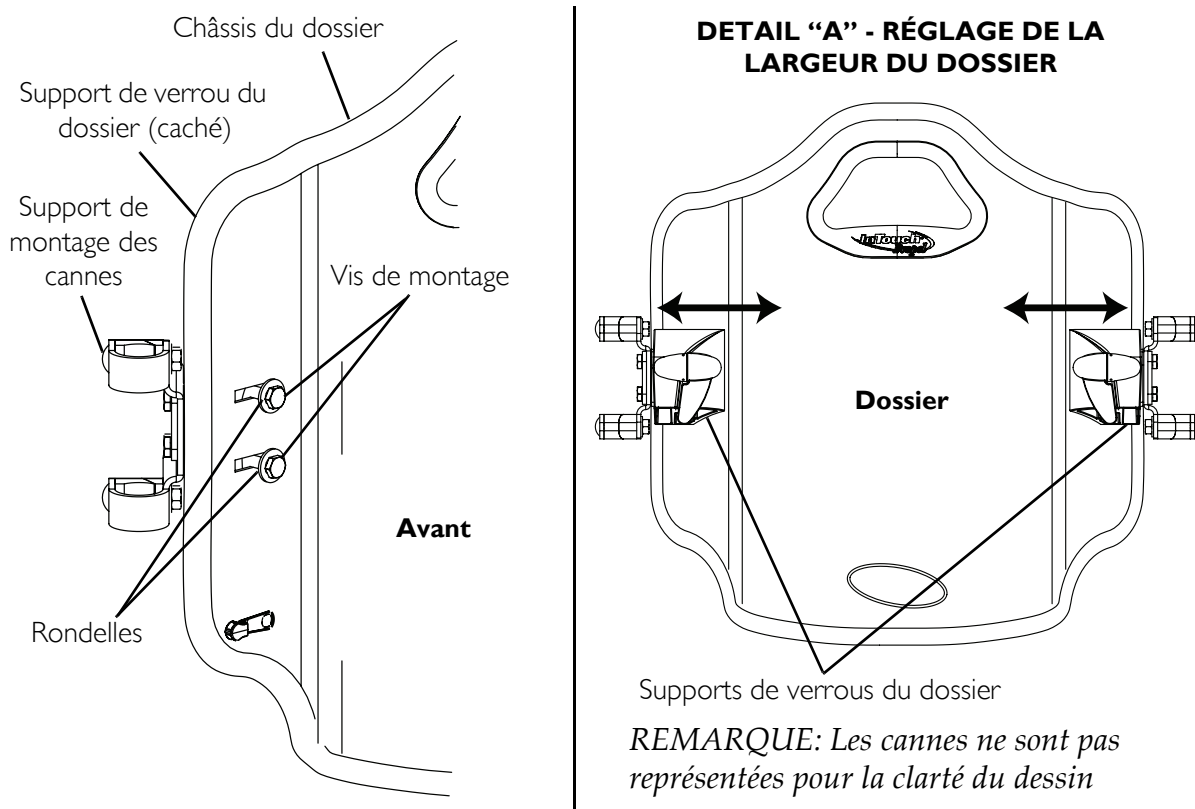


FIGURE 2.4 Réglage de la Largeur du Dossier Propel

Installation/ Dépose du Coussin du Dossier Propel

REMARQUE: Pour cette procédure, se référer à la FIGURE 2.5.

REMARQUE: Pour enlever le coussin, procédez en sens inverse.

Installation du Coussin

1. Fixez la courroie crochet-et-boucle à la partie supérieure du coussin sur la bande crochet-et-boucle au-dessus de la poignée du châssis du dossier.
2. Fixez le coussin au châssis du dossier avec les bandes crochet-et-boucle à l'arrière du coussin.

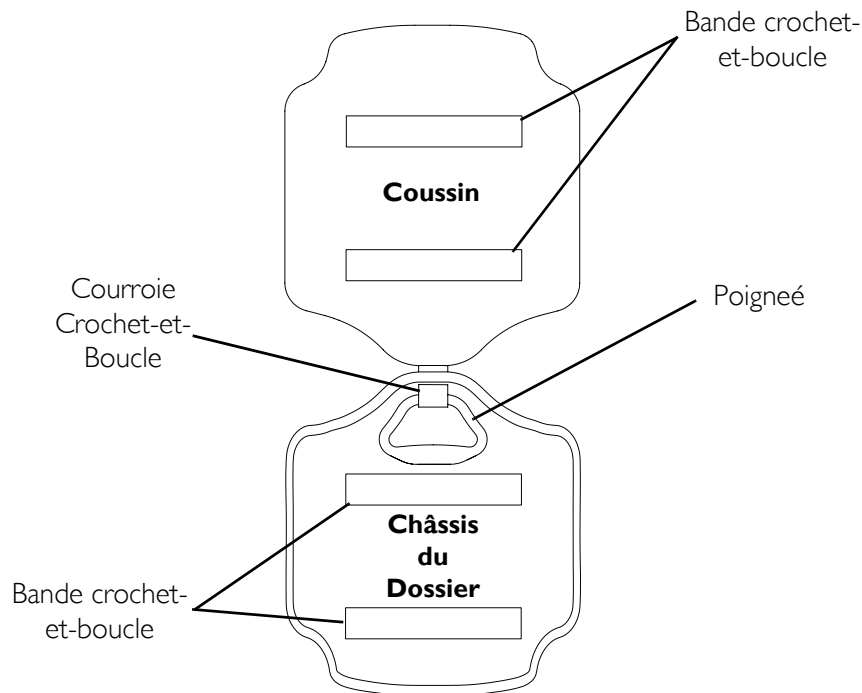


FIGURE 2.5 Installation/ Dépose du Coussin du Dossier Propel

SECTION 3—FONCTIONNEMENT

⚠ AVERTISSEMENT

Vérifiez **TOUTE** la visserie à intervalle régulier pour vous assurer que les connexions mécaniques et les ferrures de fixation soient bien serrés – sous risque de blessure ou dégâts.

CESSEZ d'utiliser ce produit si vous découvrez un problème. Une réparation peut être effectuée chez votre distributeur ou organisée par son intermédiaire.

Réglage de la profondeur et de l'angle du dossier Propel

REMARQUE: Pour cette procédure, se référer à la FIGURE 3.1.

1. Desserrez mais n'enlevez PAS les vis hexagonales qui retiennent l'onglet du dossier au support de montage de la canne des deux côtés.
2. Réglez le dossier à l'angle et/ou à la profondeur voulue.

REMARQUE: Utilisez l'échelle comme référence pour l'alignement des côtés droit et gauche.

3. Serrez les vis hexagonales qui retiennent les onglets du dossier sur les supports de montage des cannes.

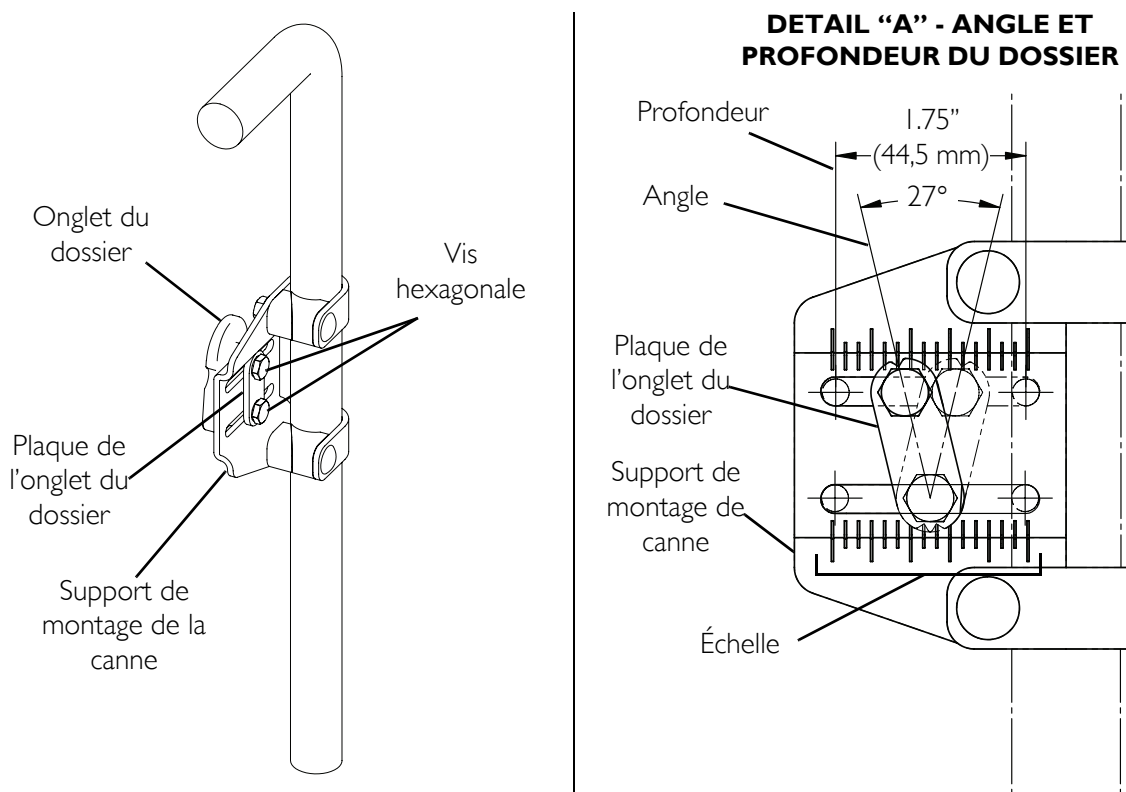


FIGURE 3.1 Réglage de la profondeur et de l'angle du dossier Propel

SECTION 4—ENTRETIEN

⚠ WARNING

Vérifiez **TOUTE** la visserie à intervalle régulier pour vous assurer que les connexions mécaniques et les ferrures de fixation soient bien serrés – sous risque de blessure ou dégâts.

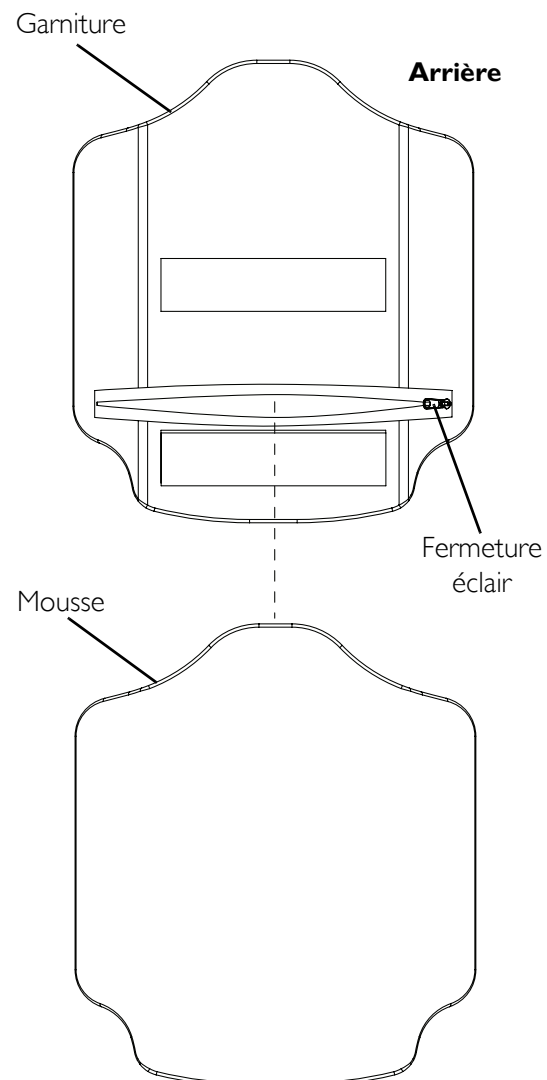
CESSEZ d'utiliser ce produit si vous découvrez un problème. Une réparation peut être effectuée chez votre distributeur ou organisée par son intermédiaire.

L'entretien **DOIT** être effectué **UNIQUEMENT** par du personnel qualifié.

Remplacement de la Garniture

REMARQUE: Pour cette procédure, se référer à la FIGURE 4.1.

1. Enlevez le coussin du châssis du dossier. Consultez Installation/ Dépose du Coussin du Dossier Propel de la page 27.
2. Ouvrez la garniture à l'arrière du coussin.
3. Enlevez la mousse du coussin
4. Remplacez la mousse dans la nouvelle garniture
5. Refermez la nouvelle garniture
6. Installez le coussin sur la châssis du dossier. Consultez Installation/ Dépose du Coussin du Dossier Propel de la page 27.



Remplacement du Coussin

REMARQUE: Pour cette procédure, se référer à la FIGURE 4.1.

1. Enlevez le coussin du dossier du châssis. Consultez Installation/ Dépose du Coussin du Dossier Propel de la page 27.
2. Ouvrez la garniture à l'arrière du coussin
3. Enlevez la mousse du coussin
4. Placez une mousse nouvelle dans la garniture
5. Refermez la garniture
6. Installez le coussin sur la châssis du dossier. Consultez Installation/ Dépose du Coussin du Dossier Propel de la page 27.

FIGURE 4.1 Remplacement de la Garniture - Remplacement du Coussin

Instructions de Nettoyage

Ensemble du Dossier

Nettoyez chaque semaine avec un chiffon humide. Frottez toute la surface.

Procédez à une inspection visuelle hebdomadaire des pièces, y compris ferrures, supports, tissus de la garniture, mousse (si visible) et composants plastiques pour déformation, corrosion, ruptures, usure ou écrasement.

Garniture

ATTENTION

Lavage machine à froid. Cycle léger. Détergent doux. PAS d'adoucisseur ou javel. PAS de séchage machine. Séchage à l'AIR uniquement sans soleil.

Mousse

Remplacez la mousse du dossier si elle est souillée du à l'incontinence. La mousse du dossier est absorbante et ne sait pas être lavée.

⚠ AVERTISSEMENT

La garniture est conçue pour protéger la mousse en cas d'incontinence de l'utilisateur et est ignifuge de sorte que le coussin ne peut pas être utilisé sans sa garniture. Si la garniture est déchirée, elle doit être remplacée.

Continuer l'utilisation du coussin sans sa garniture ou avec une garniture abîmée par un utilisateur incontinent pourrait provoquer une sérieuse irritation de la peau, une infection ou d'autres problèmes cutanés.

GARANTIE LIMITÉE

REMARQUE : LA GARANTIE PRÉSENTÉE CI-DESSOUS A ÉTÉ MISE AU POINT EN CONFORMITÉ AVEC LA LOI FÉDÉRALE AMÉRICAINE SUR LES PRODUITS FABRIQUÉS APRÈS LE 4 JUILLET 1975.

Cette garantie ne s'applique qu'à l'acheteur/utilisateur initial de notre produit.

Cette garantie vous donne des droits juridiques spécifiques mais vous pouvez également jouir de droits juridiques qui varient d'état à état.

Invacare garantit à l'acheteur/utilisateur original que ce produit est exempt de vices de matière et de fabrication pour une période de deux ans à partir de la date d'achat. Si durant cette période couverte par la garantie un produit s'avère avoir des défauts, il sera réparé ou remplacé à la discrétion d'Invacare. Cette garantie ne comprend pas la main-d'œuvre ni les frais d'expédition qui seraient dus à l'installation de la pièce de rechange ou à la réparation de cette pièce sur un tel produit. L'obligation d'Invacare et votre recours exclusif sous cette garantie sont limités à une telle réparation ou à un tel remplacement.

Pour tout service couvert par la garantie, veuillez contacter le distributeur auprès duquel vous avez acheté votre produit Invacare. Dans le cas où vous n'obtenez pas satisfaction avec votre service de garantie, écrivez directement à Invacare à l'adresse ci-dessous en donnant le nom et l'adresse de votre distributeur, la date d'achat et indiquez la nature du défaut. Si le produit possède un numéro de série, indiquez-le également.

Ne renvoyez pas les produits à l'usine sans notre accord préalable.

LIMITATIONS ET EXCLUSIONS : LA PRÉSENTE GARANTIE NE S'APPLIQUE PAS AUX PRODUITS PORTANT DES NUMÉROS DE SÉRIE SI CES NUMÉROS ONT ÉTÉ SUPPRIMÉS OU EFFACÉS ; ELLE NE S'APPLIQUE PAS NON PLUS AUX PRODUITS QUI ONT ÉTÉ SUJETS À NÉGLIGENCE, ACCIDENTS, QUI ONT ÉTÉ UTILISÉS, ENTRETENUS OU STOCKÉS DE MANIÈRE INCORRECTE, QUI ONT ÉTÉ SUJET À UTILISATION COMMERCIALE OU INSTITUTIONNELLE, AUX PRODUITS QUI ONT ÉTÉ MODIFIÉS SANS AUTORISATION SPÉCIFIQUE ÉCRITE D'INVACARE, ENTRE AUTRES, MODIFICATION DE L'APPAREIL AVEC DES PIÈCES OU DES AJOUTS NON AUTORISÉS, DOMMAGES OCCASIONNÉS DURANT DES RÉPARATIONS EFFECTUÉES SUR L'UNE DES PIÈCES DE L'APPAREIL SANS L'ACCORD SPÉCIFIQUE PRÉALABLE D'INVACARE, DOMMAGES CAUSÉS PAR DES CONDITIONS QUI ÉCHAPPENT AU CONTRÔLE D'INVACARE ; INVACARE DÉTERMINERA SI L'UNE DES CONDITIONS CI-DESSUS S'APPLIQUE. LA GARANTIE NE S'APPLIQUE PAS AUX PROBLÈMES CAUSÉS PAR L'USURE NORMALE DE PRODUIT ET À L'UTILISATION NON CONFORME AUX INSTRUCTIONS FOURNIES.

LA PRÉSENTE GARANTIE EST EXCLUSIVE ET TIENT LIEU POUR TOUTES LES AUTRES GARANTIES EXPRESSES. LES GARANTIES IMPLICITES, SI ELLES EXISTENT, ENTRE AUTRES LES GARANTIES DE QUALITÉ MARCHANDE ET D'APTITUDE À UN EMPLOI DONNÉ NE SE PROLONGENT PAS AU-DELÀ DE LA PRÉSENTE GARANTIE EXPLICITE ; LES RECOURS AUX VIOLATIONS DE TOUTE GARANTIE IMPLICITE SONT LIMITÉS À LA RÉPARATION ET AU REMPLACEMENT DU PRODUIT DÉFECTUEUX DANS LES LIMITES DES DISPOSITIONS DE CE PRÉSENT DOCUMENT. L'APPLICATION D'UNE GARANTIE IMPLICITE QUELCONQUE NE POURRA PAS S'ÉTENDRE AU-DELÀ DE LA DURÉE DE LA GARANTIE EXPLICITE CI-DESSUS. INVACARE NE PEUT EN AUCUN CAS ÊTRE TENU POUR RESPONSABLE DE QUELCONQUE MANIÈRE QUE CE SOIT EN CAS DE DOMMAGES INDIRECTS OU ACCESSOIRES.

CETTE GARANTIE SERA ÉTENDUE POUR ÊTRE CONFORME AUX LOIS ET RÉGLEMENTATIONS DE VOTRE ÉTAT/PROVINCE.

ADVERTENCIA

NO OPERE ESTE EQUIPO SIN PRIMERO LEER Y COMPRENDER ESTE MANUAL. SI NO PUEDE ENTENDER LAS PRECAUCIONES, ADVERTENCIAS E INSTRUCCIONES COMUNÍQUESE CON UN DISTRIBUIDOR CALIFICADO O CON EL SERVICIO TÉCNICO DE INVACARE ANTES DE INTENTAR USARLO, DE NO HACERLO PODRÁ OCASIONAR LESIONES O DAÑOS.

NOTA: Encontrará versiones actualizadas de este manual en www.invacare.com.

NOTAS ESPECIALES

Los términos indicadores utilizados en este manual se aplican a los peligros o prácticas inseguras que podrían dar como resultado lesiones personales o a la propiedad. Consulte la siguiente tabla para conocer sus definiciones.

TÉRMINO INDICADOR	SIGNIFICADO
PELIGRO	El término PELIGRO indica una situación de peligro inminente que, de no evitarse, puede causar la muerte o una lesión grave.
ADVERTENCIA	El término ADVERTENCIA indica una situación potencialmente peligrosa que, de no evitarse, puede causar la muerte o una lesión grave.
PRECAUCIONES	El término PRECAUCIÓN indica una situación potencialmente peligrosa que, de no evitarse, puede provocar una lesión menor o moderada.

IMPORTANTE

LA INFORMACIÓN CONTENIDA EN EL PRESENTE DOCUMENTO ESTÁ SUJETA A CAMBIOS SIN PREVIO AVISO.

MANTENIMIENTO

El mantenimiento **DEBE** ser realizado **SÓLO** por personal calificado.

Los productos Invacare están diseñados y fabricados específicamente para utilizarse junto con los accesorios Invacare. Los accesorios diseñados por otros fabricantes no han sido testeados por Invacare y, por lo tanto, no se recomienda su utilización con los productos Invacare.

TABLA DE CONTENIDO

NOTAS ESPECIALES	33
SECTION 1—PAUTAS GENERALES	35
Información Importante.....	35
Advertencia Sobre la Presión del Asiento.....	35
Advertencias Sobre la Instalación.....	35
Capacidad de Peso Máximo.....	36
SECTION 2—INSTALACIÓN	37
Descripción General de la Instalación.....	37
Instalación de las Piezas Metálicas Para Montaje.....	38
Instalación y Remoción del Respaldo Propel.....	39
Ajuste del Ancho del Respaldo Propel.....	40
Instalación y Remoción del Almohadón del Respaldo Propel.....	41
Instalación de los Almohadones.....	41
SECTION 3—OPERACIÓN	42
Ajuste de la Altura y el Ángulo del Respaldo Propel.....	42
SECTION 4—MANTENIMIENTO	43
Reemplazo del Tapizado.....	43
Reemplazo del Almohadón.....	43
Instrucciones de Limpieza.....	44
Conexiones del Respaldo.....	44
Funda.....	44
Gomaespuma.....	44
GARANTÍA LIMITADA	47

SECTION I—PAUTAS GENERALES

⚠ ADVERTENCIA

La **SECCIÓN I - PAUTAS GENERALES** contiene información importante para la operación y uso seguro de este producto. **NO** utilice este producto ni cualquier equipo opcional disponible sin primero leer y comprender en su totalidad estas instrucciones y cualquier material de instrucciones adicional, tal como el **Manual del Usuario, Manuales de Reparación u Hojas de Instrucción** suministradas junto con este producto o equipo opcional. Si usted no puede comprender estas **Advertencias, Precauciones o Instrucciones**, póngase en contacto con un profesional de la salud, distribuidor o personal técnico antes de intentar utilizar este equipo; de otro modo, pueden ocurrir daños.

Información Importante

La mejor manera de evitar problemas relacionados con dolores debidos a la presión es comprender sus causas y su función en un programa de control de la piel.

Debe consultar a su terapeuta y a su médico en caso de tener alguna duda respecto del peso, las formas de alivio, el autoexamen de piel o las limitaciones y necesidades individuales.

Todos los asientos deben seleccionarse cuidadosamente. La mejor manera de asegurarse de que un asiento cubre sus necesidades individuales es trabajando con su terapeuta y su médico.

A medida que las necesidades individuales se vuelven más complejas, la evaluación del respaldo Propel también se torna más importante.

El respaldo Propel no fue diseñado para usar con sillas de ruedas basculantes o reclinables.

Advertencia Sobre la Presión del Asiento

Luego de la instalación y el uso de cualquier asiento nuevo, debe verificar la condición de la piel en forma frecuente.

Advertencias Sobre la Instalación

Luego de cualquier ajuste, reparación o servicio técnico, y antes de su utilización, asegúrese de que todas las piezas metálicas se encuentren bien ajustadas.

NO instale el respaldo Propel en tubos de respaldo cuyo diámetro exterior sea mayor de 1 pulgada o menor de 0,86 pulgadas; si lo hace, pueden ocurrir lesiones o daños.

Asegúrese de que el respaldo Propel se encuentre bien ajustado a la silla antes de utilizar.

El respaldo Propel **DEBE** colocarse al ras de las pestañas de los soportes de tubo.

Tanto el seguro derecho como el izquierdo **DEBEN** estar completamente ajustados.

⚠ ADVERTENCIA

La posición del respaldo Propel está directamente relacionada con la estabilidad de la silla de ruedas. Puede ser necesario reajustar las ruedas delanteras, las traseras, el ángulo del respaldo y/o la altura antes de utilizar. Tome **TODAS** las precauciones al usar la nueva posición del asiento.

Capacidad de Peso Máximo

	406 MM (16") A 533 MM (21") DE ANCHO 16 - 21-INCH WIDTH
CAPACIDAD DE PESO MÁXIMO	136 kg (300lbs)

SECTION 2—INSTALACIÓN

⚠️ ADVERTENCIA

Supervise **TODOS** los seguros en forma periódica para asegurarse de que las conexiones mecánicas y las piezas metálicas de fijación se encuentran firmemente ajustadas; de otro modo, pueden ocurrir lesiones o daños.

NO siga utilizando este producto si encuentra dificultades. La reparación se puede realizar en el local de su distribuidor o éste puede actuar como intermediario.

El respaldo Propel no fue diseñado para usar con sillas de ruedas basculantes o reclinables.

Descripción General de la Instalación

NOTA: Para este procedimiento, consulte la FIGURA 2.1.

1. Quite todo el tapizado del respaldo o del sistema de apoyo de la silla antes de la instalación. Consulte el Manual del Usuario entregado con la silla de ruedas.
2. Instale las piezas metálicas para montaje. Consulte la sección sobre Instalación de las Piezas Metálicas Para Montaje en la página 38.
3. Coloque el respaldo Propel en la silla de ruedas. Consulte la sección sobre Instalación y Remoción del Respaldo Propel en la página 39.
4. Haga todos los ajustes necesarios para calibrar la altura y/o el ángulo. Consulte la sección sobre Ajuste de la Altura y el Ángulo del Respaldo Propel en la página 42 y Consulte la sección sobre Ajuste del Ancho del Respaldo Propel en la página 40.

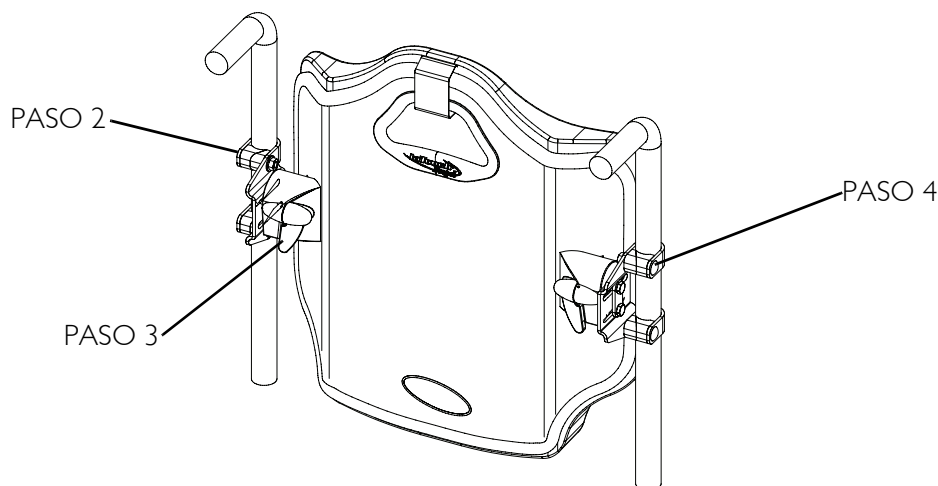


FIGURA 2.1 Descripción General de la Instalación

Instalación de las Piezas Metálicas Para Montaje

NOTA: Para este procedimiento, consulte la FIGURE 2.2.

NOTA: Los soportes de tubo se ajustan para adaptarse a tubos de respaldo de entre 22,2 mm (7/8") y 25,4 mm (1"). No se necesita ninguna pieza metálica adicional.

1. Coloque el soporte de tubo sobre el tubo del respaldo a la altura deseada.

NOTA: Asegúrese de que la pestaña del respaldo esté ubicada hacia el interior de la silla y de que el borde redondeado mire hacia arriba.

2. Asegure el soporte de tubo y los dispositivos de ajuste a los tubos del respaldo con dos pernos de montaje y dos tuercas. Tense con la mano hasta que quede firme.

NOTA: Algunas sillas de ruedas tienen tubos de respaldo ajustables que se adaptan tanto a 22,2 mm (7/8") como a 25,4 mm (1"). Cerciérese de que los dispositivos de ajuste se introdujeron por completo, ya sea en la sección de 22,2 mm (7/8") como en la de 25,4 mm (1") y que no hayan quedado en medio de las dos. Consulte el Detalle "A" en la FIGURA 2.2.

NOTA: Si fuera necesario, levante o baje los tubos del respaldo hasta lograr la ubicación deseada del soporte. Consulte el Manual del Usuario entregado con la silla de ruedas.

3. Repita los PASOS 1 y 2 para el otro soporte de tubo.

NOTE: Los soportes de tubo DEBEN encontrarse paralelos entre sí.

4. Mediante la llave provista o una llave tubo de 7/16, asegure firmemente los pernos de montaje.

NOTA: NO apriete los pernos de montaje hasta que haya colocado el respaldo a la altura correcta.

NOTA: Verifique la alineación de los soportes antes de ajustar

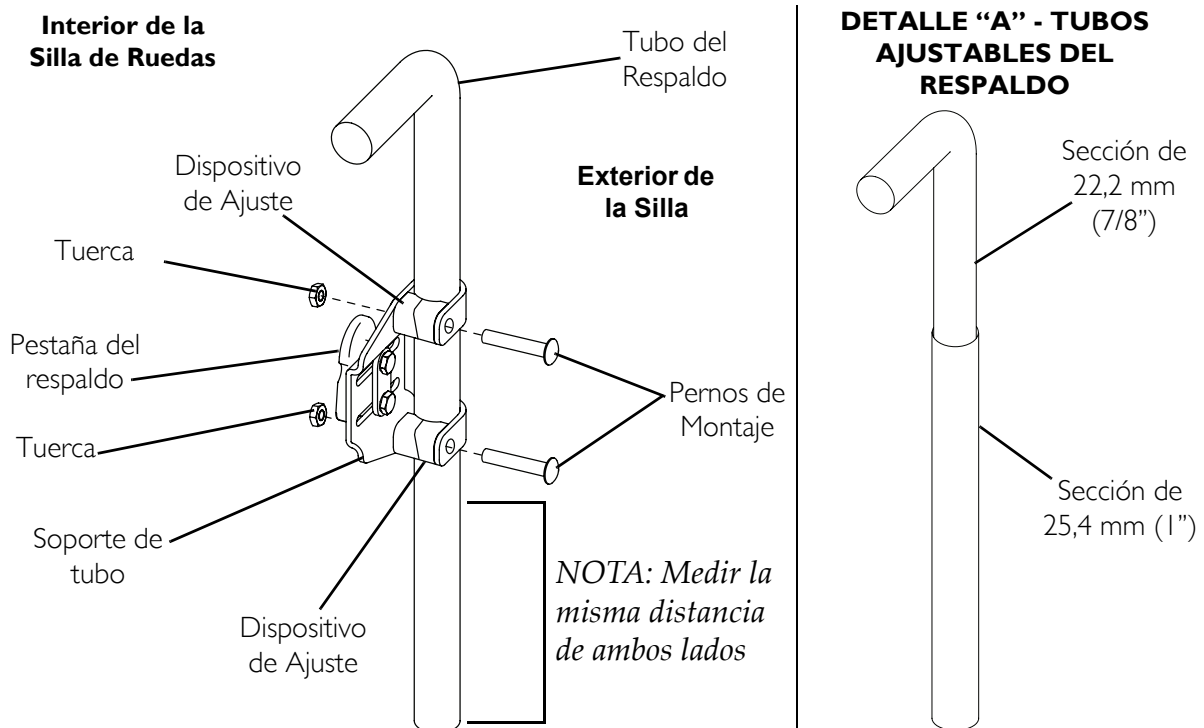


FIGURE 2.2 Instalación de las Piezas Metálicas Para Montaje

Instalación y Remoción del Respaldo Propel

⚠️ ADVERTENCIA

La posición del respaldo Propel está directamente relacionada a la estabilidad de la silla. Puede ser necesario reajustar las ruedas delanteras, las traseras, el ángulo del respaldo y/o la altura antes de utilizar. Tome **TODAS** las precauciones al usar la nueva posición del asiento.

NOTA: Para este procedimiento, consulte la FIGURA 2.3 en la página 39.

NOTA: Para retirar el respaldo realice el procedimiento inverso.

NOTE: Si el respaldo Propel no se adapta adecuadamente a los tubos del respaldo, puede ser necesario ajustar el ancho del respaldo. Consulte Ajuste del ancho del respaldo Propel en la página 12.

1. Alinee las palancas de ambos seguros del respaldo con las pestañas de los soportes de tubo.
2. Levante los seguros del respaldo y colóquelos en la posición de desbloqueo.

NOTA: Las palancas ubicadas en los seguros fijadores del respaldo deben encontrarse hacia arriba (posición de desbloqueo) para instalar o retirar el respaldo de la silla de ruedas.

3. Coloque las palancas del seguro del respaldo sobre las pestañas.

NOTE: Asegúrese de que las palancas se encuentran al ras de las pestañas.

4. Presione las palancas del seguro hacia abajo (posición de bloqueo) para fijar el respaldo a las pestañas. Consulte el Detalle "A" en la FIGURA 2.3.
5. Luego de la instalación y antes de utilizar la silla, tire del respaldo para cerciorarse de que está bloqueado.

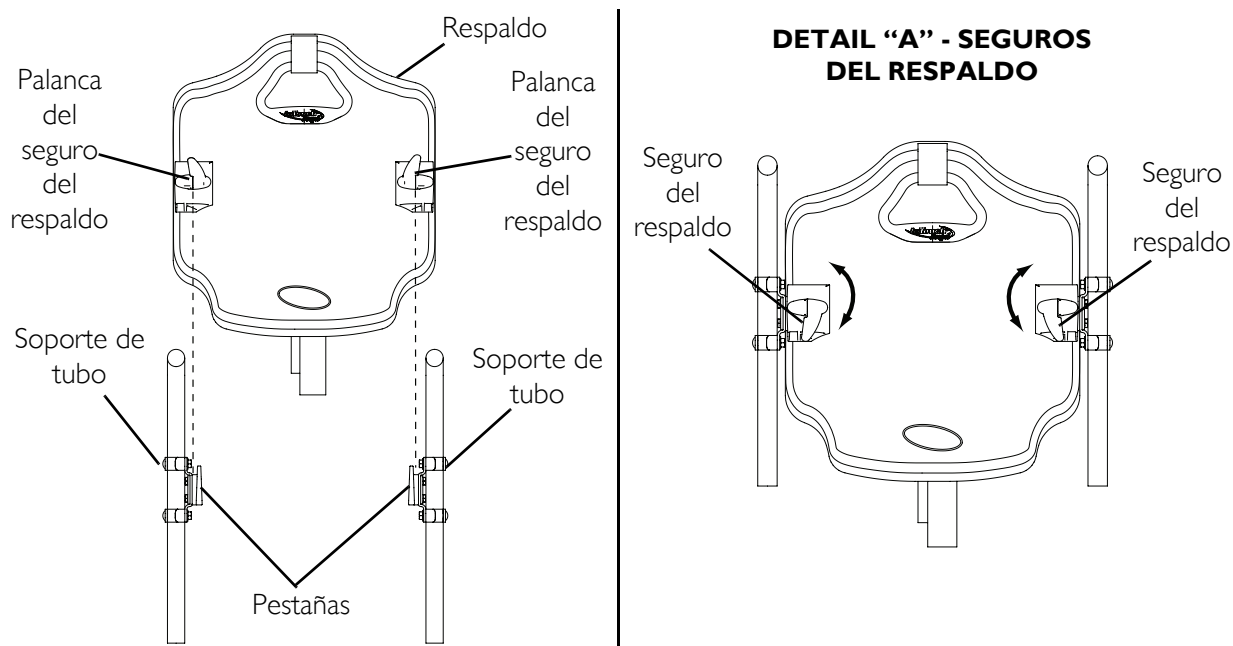


FIGURA 2.3 Instalación y Remoción del Respaldo Propel

Ajuste del Ancho del Respaldo Propel

NOTA: Para este procedimiento, consulte la FIGURA 2.1.

1. Retire el almohadón del cuadro del respaldo. Consulte Instalación y remoción del almohadón del respaldo Propel, en la página 13.
2. Afloje, pero NO retire, los dos pernos y arandelas de montaje que aseguran el soporte de tubo al cuadro del respaldo.
3. Coloque los soportes de tubo en la posición deseada.

NOTA: Mantenga el cuadro del respaldo centrado para conseguir una colocación adecuada.

4. Con cuidado, coloque el respaldo en las pestañas de éste.
5. Ajuste ambos soportes de tubo para que el respaldo quede correctamente colocado, sujetándolo en el centro.
6. Asegure firmemente los pernos de montaje.
7. Vuelva a colocar el almohadón. Consulte la sección sobre Instalación y Remoción del Respaldo Propel en la página 39.
8. Compruebe la altura del respaldo y ajuste el soporte de tubo si fuese necesario. Consulte la sección sobre Instalación de las Piezas Metálicas Para Montaje en la página 38.

NOTE: La mayoría de los tubos de respaldo de las sillas de ruedas no son completamente verticales. Ajuste el ancho de los soportes para que coincidan con el cuadro del respaldo. Si el respaldo Propel queda demasiado flojo o demasiado tenso, se pueden ajustar los soportes en forma manual, lo que aumentará o disminuirá el esfuerzo necesario para instalar o retirar el respaldo de la silla. Este ajuste también se puede usar para reducir el ruido del respaldo provocado por el movimiento de la silla de ruedas.

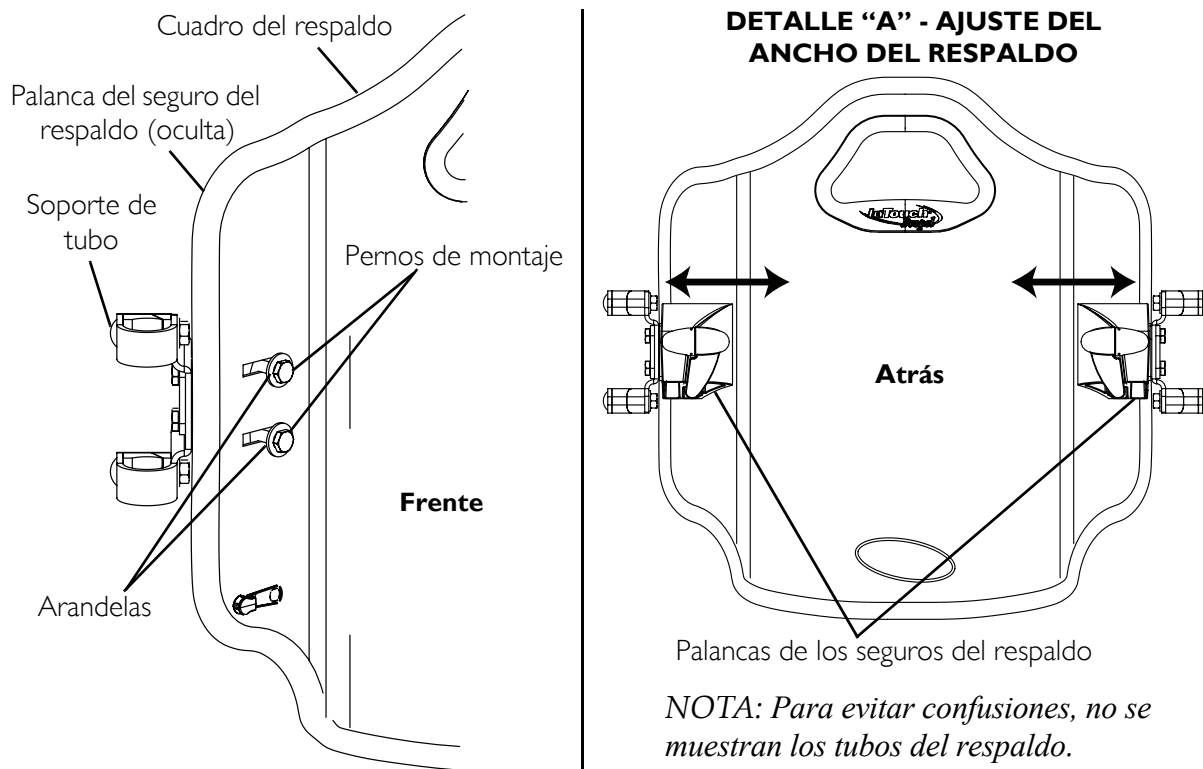


FIGURA 2.1 Ajuste del Ancho del Respaldo Propel

Instalación y Remoción del Almohadón del Respaldo Propel

NOTA: Para este procedimiento, consulte la FIGURA 2.2.

NOTA: Para retirar el almohadón, realice el procedimiento inverso.

Instalación de los Almohadones

1. Fije el gancho y la correa con presilla de la parte superior del almohadón al gancho y la presilla para correa ubicada por encima del asa del cuadro del respaldo.
2. Asegure el almohadón al cuadro del respaldo con el gancho y las presillas para correa ubicadas en la parte trasera del almohadón.

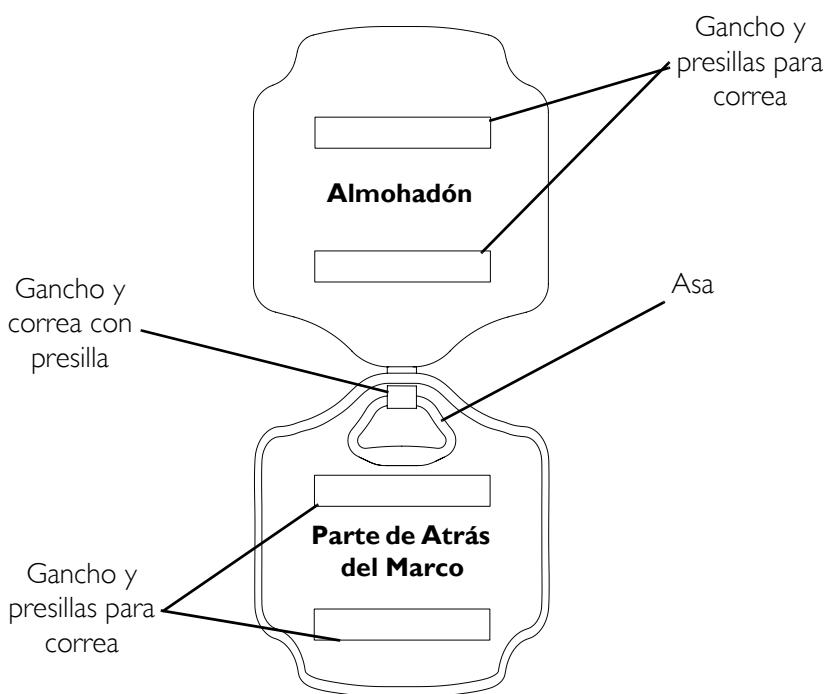


FIGURA 2.2 Instalación y Remoción del Respaldo Propel

SECTION 3—OPERACIÓN

⚠️ ADVERTENCIA

Supervise **TODAS** las piezas ajustables en forma periódica para cerciorarse de que las conexiones mecánicas y las piezas metálicas se encuentran firmemente ajustadas, de lo contrario pueden ocurrir lesiones o daños.

NO siga utilizando este producto si encuentra dificultades. La reparación se puede realizar en el local de su distribuidor o éste puede actuar como intermediario.

Ajuste de la Altura y el Ángulo del Respaldo Propel

NOTA: Para este procedimiento, consulte la FIGURA 3.1.

1. Afloje, pero **NO** retire, los pernos hexagonales que aseguran el respaldo a los tubos de ambos soportes laterales.
2. Ajuste el respaldo al ángulo y/o la altura deseados.

NOTA: Realice marcas de referencia para alinear ambos laterales a la medida deseada.

3. Ajuste los pernos hexagonales que sujetan las pestañas del respaldo a los soportes de tubo.

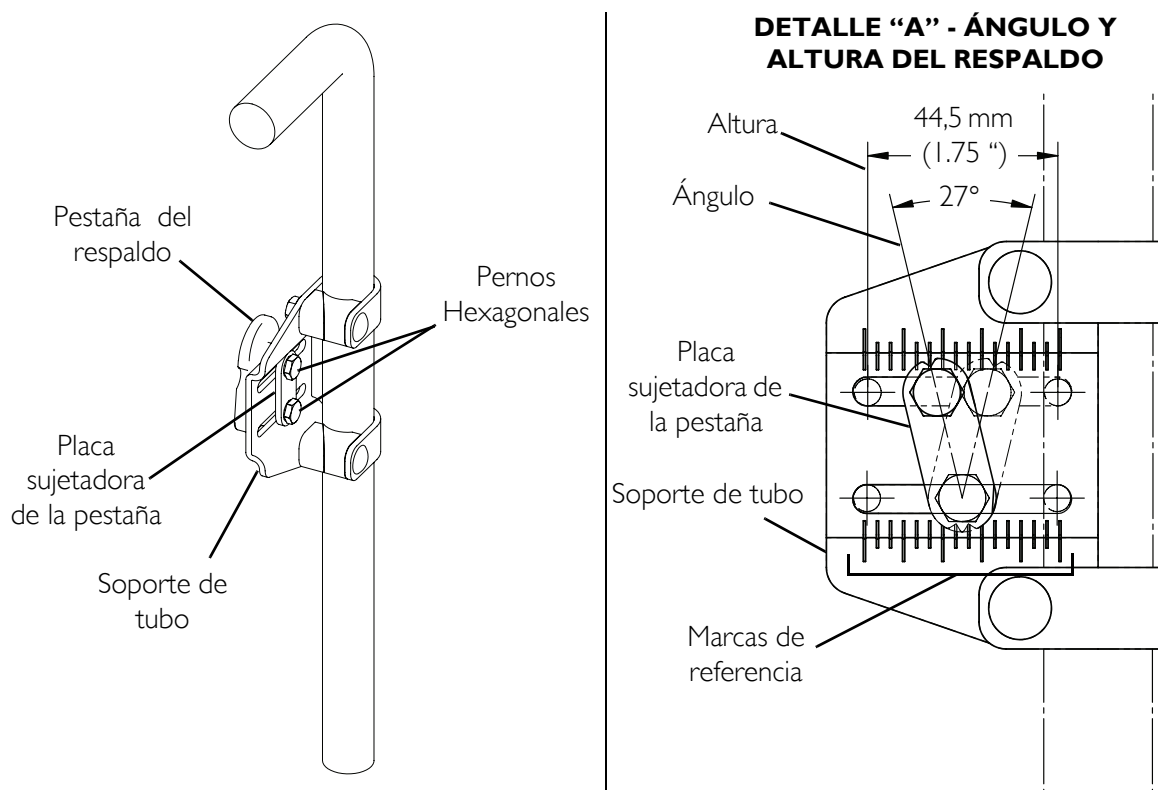


FIGURA 3.1 Ajuste de la Altura y el Ángulo del Respaldo Propel

SECTION 4—MANTENIMIENTO

⚠ ADVERTENCIA

Supervise **TODAS** las piezas ajustables en forma periódica para cerciorarse de que las conexiones mecánicas y las piezas metálicas se encuentran firmemente ajustadas, de lo contrario pueden ocurrir lesiones o daños.

NO siga utilizando este producto si encuentra dificultades. La reparación se puede realizar en el local de su distribuidor o éste puede actuar como intermediario.

El mantenimiento **DEBE** ser realizado **SÓLO** por personal calificado.

Reemplazo del Tapizado

NOTA: Para este procedimiento, consulte la FIGURA 4.1.

1. Retire el almohadón del cuadro del respaldo. Consulte la sección sobre Instalación y Remoción del Almohadón del Respaldo Propel en la página 41.
2. Abra el cierre del tapizado ubicado en la parte de atrás del almohadón.
3. Separe la gomaespuma del tapizado.
4. Coloque la gomaespuma en el nuevo tapizado.
5. Cierre el nuevo tapizado.
6. Vuelva a colocar el almohadón en el cuadro. Consulte la sección sobre Instalación y Remoción del Almohadón del Respaldo Propel en la página 41

Reemplazo del Almohadón

NOTA: Para este procedimiento, consulte la FIGURA 4.1.

1. Retire el almohadón del cuadro del respaldo. Consulte la sección sobre Instalación y Remoción del Almohadón del Respaldo Propel en la página 41.
2. Abra el cierre del tapizado ubicado en la parte de atrás del almohadón.
3. Separe la gomaespuma del tapizado.
4. Coloque el nuevo almohadón en la funda.
5. Cierre la funda.
6. Vuelva a colocar el almohadón en el cuadro. Consulte la sección sobre Instalación y Remoción del Almohadón del Respaldo Propel en la página 41.

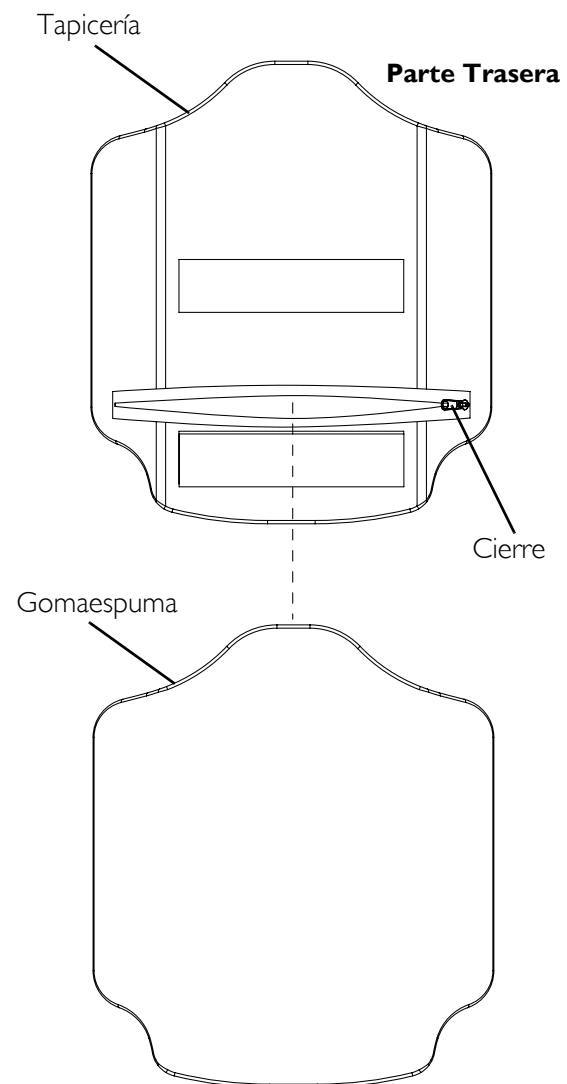


FIGURA 4.1 Reemplazo del Tapizado -
Reemplazo del Almohadón

Instrucciones de Limpieza

Conexiones del Respaldo

Limpie con un trapo humedecido una vez por semana. Seque la superficie por completo.

Inspeccione todas las partes una vez a la semana, lo que incluye las piezas metálicas, el tapizado, la gomaespuma y los plásticos, a fin de detectar deformaciones, corrosión, daños, desgaste y/o compresión.

Funda

PRECAUCIONES

Se puede lavar en lavarropas. Programa para ropa delicada. Detergente suave. NO utilice suavizantes o blanqueadores en las telas. NO las seque en secadoras. SÓLO deje secar al aire y en la sombra.

Gomaespuma

Reemplace la gomaespuma del respaldo si se contamina debido a la incontinencia. La gomaespuma del respaldo es absorbente y no se puede limpiar.

⚠ ADVERTENCIA

La funda fue diseñada para proteger la gomaespuma de la incontinencia del usuario y actuar como retardador del fuego, por lo que el almohadón no se debe usar descubierto. Si la funda se encuentra dañada, debe reemplazarla de inmediato.

El uso continuo del almohadón sin funda o con la funda dañada por la incontinencia del usuario puede ocasionar irritación grave de la piel, infecciones y otros problemas cutáneos.

NOTA

NOTA

GARANTÍA LIMITADA

TENGA PRESENTE: LA SIGUIENTE GARANTÍA HA SIDO REDACTADA PARA CUMPLIR CON LAS LEYES FEDERALES APLICABLES A PRODUCTOS FABRICADOS DESPUÉS DEL 4 DE JULIO DE 1975.

Esta garantía sólo es válida para el comprador/usuario original de nuestros productos.

Esta garantía le otorga derechos específicos, y es posible que usted también tenga otros derechos legales que pueden variar de una jurisdicción a otra.

Invacare garantiza al comprador original que este producto no presentará defectos de material ni mano de obra durante un período de dos años a partir de la fecha de compra. Si durante este período de vigencia de la garantía se demuestra que el producto presenta algún defecto, Invacare, a su criterio, lo reparará o reemplazará. Esta garantía no incluye los gastos por mano de obra ni envío en los cuales se incurra por la instalación de los repuestos o la reparación de cualquier producto mencionado. La única obligación de Invacare y la única solución para el comprador bajo esta garantía se limitará a dichas reparaciones y/o reemplazo.

Para obtener el servicio de garantía, comuníquese con el distribuidor a quien le compró el producto Invacare. En caso de que usted no quede satisfecho con el servicio de garantía, escríbanos directamente a Invacare a la dirección que aparece en la próxima página. Indique el nombre y dirección del distribuidor, el número de modelo y la fecha de compra del producto, señale la naturaleza del defecto y adjunte el número de serie del producto si lo tuviera. **NO devuelva productos a nuestra fábrica sin nuestro consentimiento**

LIMITACIONES Y EXCLUSIONES: LA PRESENTE GARANTÍA NO SE APLICARÁ A PRODUCTOS CUYO NÚMERO DE SERIE HAYA SIDO RETIRADO O ESTROPEADO; A PRODUCTOS AFECTADOS POR USO NEGLIGENTE, ACCIDENTES, USO INCORRECTO, MANTENIMIENTO O ALMACENAMIENTO INADECUADOS; USO COMERCIAL O INSTITUCIONAL; A PRODUCTOS MODIFICADOS SIN LA AUTORIZACIÓN EXPRESA Y POR ESCRITO DE INVACARE, INCLUYENDO, PERO SIN LIMITARSE A ELLO, MODIFICACIONES MEDIANTE EL USO DE PARTES O ACCESORIOS NO AUTORIZADOS; PRODUCTOS DAÑADOS POR REPARACIONES EFECTUADAS A ALGÚN COMPONENTE SIN LA APROBACIÓN ESPECÍFICA DE INVACARE; O A PRODUCTOS DAÑADOS POR CIRCUNSTANCIAS QUE ESCAPAN AL CONTROL DE INVACARE, CUYA EVALUACIÓN PERTINENTE SERÁ DETERMINADA EXCLUSIVAMENTE POR INVACARE. ESTA GARANTÍA NO CUBRE LOS PROBLEMAS QUE SURJAN DEL DESGASTE NORMAL NI LAS FALLAS QUE OCURRAN POR NO ACATAR ESTAS INSTRUCCIONES. ESTA GARANTÍA EXPRESA ES EXCLUSIVA Y REEMPLAZA A TODAS LAS GARANTÍAS, YA SEAN EXPRESAS O IMPLÍCITAS, INCLUYENDO TODAS LAS GARANTÍAS IMPLÍCITAS DE COMERCIABILIDAD E IDONEIDAD PARA UN FIN O USO EN PARTICULAR, Y LA ÚNICA SOLUCIÓN POR EL INCUMPLIMIENTO DE CUALQUIER GARANTÍA SE LIMITARÁ A LA REPARACIÓN O REEMPLAZO DEL PRODUCTO DEFECTUOSO, CONFORME A LOS TÉRMINOS ESTABLECIDOS EN ESTA GARANTÍA. LA APLICACIÓN DE CUALQUIER GARANTÍA IMPLÍCITA NO SE EXTENDERÁ MÁS ALLÁ DEL PERIODO DE VIGENCIA DE ESTA GARANTÍA EXPRESA. INVACARE NO SERÁ RESPONSABLE DE NINGÚN DAÑO ACCIDENTAL O CONSECUENTE.

ESTA GARANTÍA SE EXTENDERÁ PARA CUMPLIR CON LAS LEYES Y REQUISITOS ESTATALES/PROVINCIALES.



Yes, you can.

Invacare Corporation www.invacare.com

USA
One Invacare Way
Elyria, Ohio USA
44036-2125
800-333-6900

Canada
570 Matheson Blvd E Unit 8
Mississauga Ontario
L4Z 4G4 Canada
800-668-5324

Invacare, the Medallion Design, and Yes, You Can, are registered trademarks of Invacare Corporation.
InTouch and Propel are trademarks of Invacare Corporation.
© 2006 Invacare Corporation

Part No 1143199

Rev A - 2/5/07

Free Manuals Download Website

<http://myh66.com>

<http://usermanuals.us>

<http://www.somanuals.com>

<http://www.4manuals.cc>

<http://www.manual-lib.com>

<http://www.404manual.com>

<http://www.luxmanual.com>

<http://aubethermostatmanual.com>

Golf course search by state

<http://golfingnear.com>

Email search by domain

<http://emailbydomain.com>

Auto manuals search

<http://auto.somanuals.com>

TV manuals search

<http://tv.somanuals.com>