

SAVE THESE INSTRUCTIONS

NOTE: DEALER - These instructions MUST be given to the user of this product.

NOTE: Check ALL parts for shipping damage. If shipping damage is noted, DO NOT use. Contact carrier/dealer for further instruction.

⚠ WARNING

- **DO NOT** install or use this equipment without first reading and understanding this instruction sheet. If you are unable to understand the **Warnings, Cautions or Instructions**, contact a healthcare professional, dealer or technical personnel before attempting to install this equipment - otherwise, injury or damage may occur.
- Each individual should **ALWAYS** consult with their physician or therapist to determine proper adjustment and usage.
- A physical/occupational therapist should assist in the height adjustment of the knee walker for maximum support.
- Care should be taken to ensure that all parts of the knee walker are secure and the casters are in good working order before use.
- **DO NOT** sit on the knee walker. **DO NOT** use the knee walker as a wheelchair or transport device.
- **ALWAYS** observe the weight limit on the labeling of your product. Check that all labels are present and legible. Replace if necessary.
- If the push handle is exposed to extreme temperature (above 100°F or below 32°F), high humidity and/or becomes wet, prior to use, ensure the handgrip **DOES NOT** twist on the push handle - otherwise damage or injury may occur.
- **DO NOT** attempt to reach objects that are out of your immediate reach while using this device. **DO NOT** reach for objects if you have to lean or shift position on the knee pad.
- **DO NOT** hang anything from the frame of the knee walker. Items should be placed in the basket. Items should not protrude from the knee walker basket - otherwise, injury or damage may occur. The basket can hold up to 10 lbs.

⚠ ACCESSORIES WARNING

- Invacare products are specifically designed and manufactured for use in conjunction with Invacare accessories. Accessories designed by other manufacturers have not been tested by Invacare and are not recommended for use with Invacare products.

Patient Height Specifications

MODEL	PATIENT HEIGHT MIN. / MAX
65960	5' 2" - 5' 10"

Product Note

The Knee Walker is designed to enhance user stability.

Installing the Rear Caster Assemblies

NOTE: For this procedure, refer to FIGURE 1.

NOTE: To remove the rear caster assemblies, reverse this procedure.

1. Remove the plastic from around the rear casters.
 2. Press the snap buttons on the rear caster tube.
- NOTE: When installed properly, the caster and brakes will face outward.
3. Insert the rear caster tube into the frame tube and slide the snap buttons to one of five height adjustment holes.

NOTE: There will be an audible "click".

4. Install the other rear caster assembly into the opposite frame tube.

Installing the Front Casters

NOTE: For this procedure, refer to FIGURE 1.

NOTE: To remove the front casters, reverse this procedure.

1. Remove the plastic from around the front casters.
2. Press the snap buttons on the front caster tube.

CAUTION

The front caster with the colored marking MUST be installed on the same side as the user's injury. The front casters MUST be adjusted to the same height adjustment hole that the rear caster assemblies are adjusted to.

3. Insert the front caster with the colored marking into the frame tube on the same side as the user's injury. Slide the snap buttons to the same height adjustment hole as the rear caster assemblies.

NOTE: There will be an audible "click".

4. Install the other front caster into the opposite frame tube.

Adjusting the Knee Walker Height

NOTE: For this procedure, refer to FIGURE 1.

1. Press the snap buttons on the caster tube.
2. Slide the snap button to one of five height adjustment holes.

NOTE: There will be an audible "click".

CAUTION

The front casters MUST be adjusted to the same height adjustment hole that the rear caster assemblies are adjusted to.

3. Adjust the front and rear caster assemblies to the same height.

NOTE: The front caster with the colored marking MUST be installed on the same side of the knee walker as the user's injury.

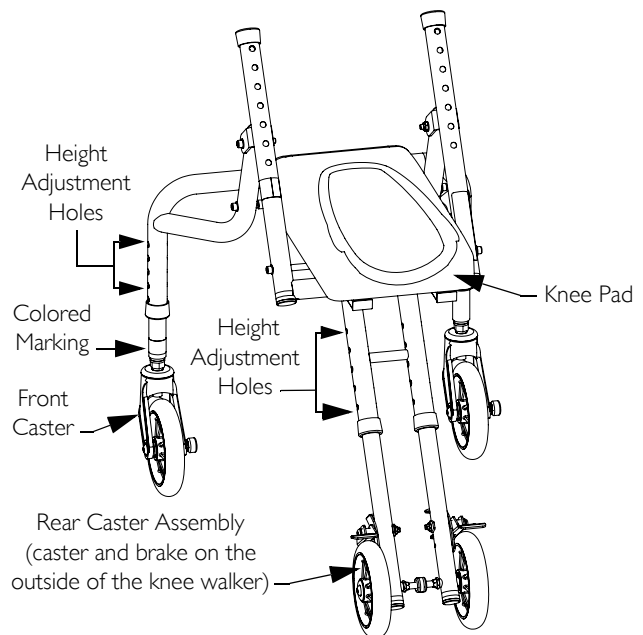


FIGURE 1 Assembling the Knee Walker

For more information regarding Invacare products, parts, and services, please visit www.invacare.com

Installing/Adjusting the Push Handle

NOTE: For this procedure, refer to FIGURE 2.

CAUTION

The side of the push handle with the colored marking **MUST** be inserted into the frame tube on the same side as the user's injury.

If the user's injury is on the right side:

1. Press the snap buttons and insert the push handle into the frame tubes.
2. Slide the push handle to one of seven height adjustment holes.

NOTE: There will be an audible "click".

3. Snap the brake lead into the brake lead brackets.

If the user's injury is on the left side:

1. Turn the push handle over.
2. Remove and snap the brake lead brackets onto the opposite frame tube.
3. Press the snap buttons and insert the push handle into the frame tubes.
4. Slide the push handle to one of seven height adjustment holes.

NOTE: There will be an audible "click".

5. Remove two screws that secure the push handle brake assembly around the frame tube. Retain the screws.
6. Rotate the assembly over the top of the push handle.
7. Secure the assembly around the push handle with two screws.
8. Snap the brake lead into the brake lead brackets.

Installing/Removing the Basket

NOTE: For this procedure, refer to FIGURE 3.

NOTE: To remove the basket, reverse this procedure.

1. Put the basket hooks on the frame tube and rotate the basket down until the basket rests on the frame tube.

NOTE: Make sure that both basket hooks are completely seated onto the frame tube and the basket sits level.

2. Wrap the strap around the frame tube and through the basket. Continue wrapping until the entire length of the strap is around the frame tube. Apply slight pressure to the end of the strap.

NOTE: Make sure that the strap is wrapped completely around the frame tube and that the end of the strap is secure before use.

Folding/Opening the Knee Walker

NOTE: To open the knee walker, reverse this procedure.

1. Engage the brakes on the rear casters.
2. Remove the basket.

CAUTION

Pinch points exist between the knee pad and knee walker frame. Make sure hands and body are clear of all pinch points before folding the knee walker.

3. Lift up on the back end of the knee pad to fold the knee walker.

CAUTION

Lay the knee walker down on a flat, stable surface. **DO NOT** lean against a wall or other vertical surface.

Using the Knee Walker

CAUTION

The knee walker **MUST** be level before use. Make sure that the casters are all adjusted to the same height adjustment holes in the frame tubes.

1. Before the user applies weight to the knee walker, pull the brake handle in towards the push handle.

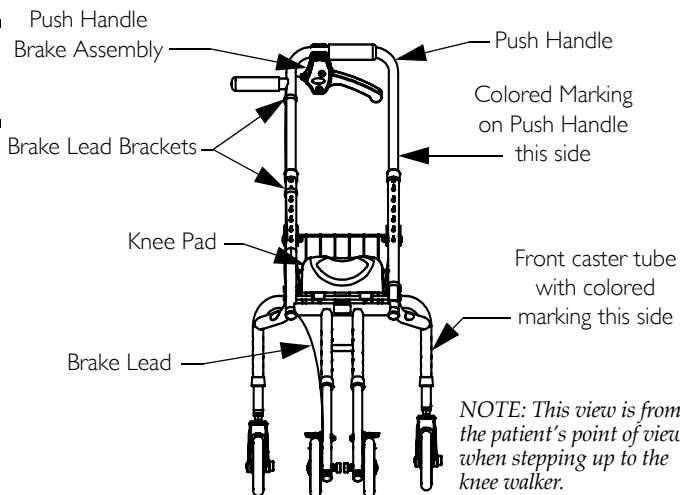
NOTE: To lock the brake, push down on the handle, to release pull up.

2. Place the injured limb onto the knee pad.
3. Align the front of the user's knee with the top of the cutout in the knee pad cushion.
4. Release the brake to begin mobility.

Care and Maintenance

- Periodically inspect all parts of the knee walker for wear or damage. Replace any broken, worn or damaged items **IMMEDIATELY**.
- Verify the operation of the brakes. Contact your Invacare dealer for brake adjustment if necessary.
- If hand grips are loose, **DO NOT** use the knee walker.
- Periodically inspect the casters and caster stems for tightness. Verify that the wheels are free of hair, lint and other debris.

KNEE WALKER SET UP FOR RIGHT-SIDED INJURY



KNEE WALKER SET UP FOR LEFT-SIDED INJURY

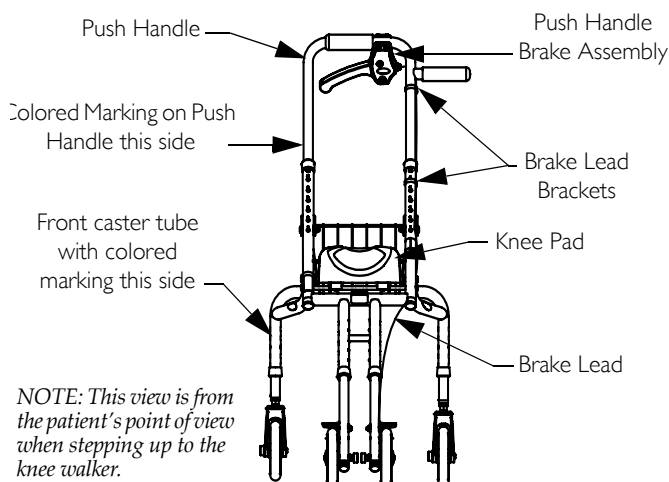


FIGURE 2 Installing/Adjusting the Push Handle

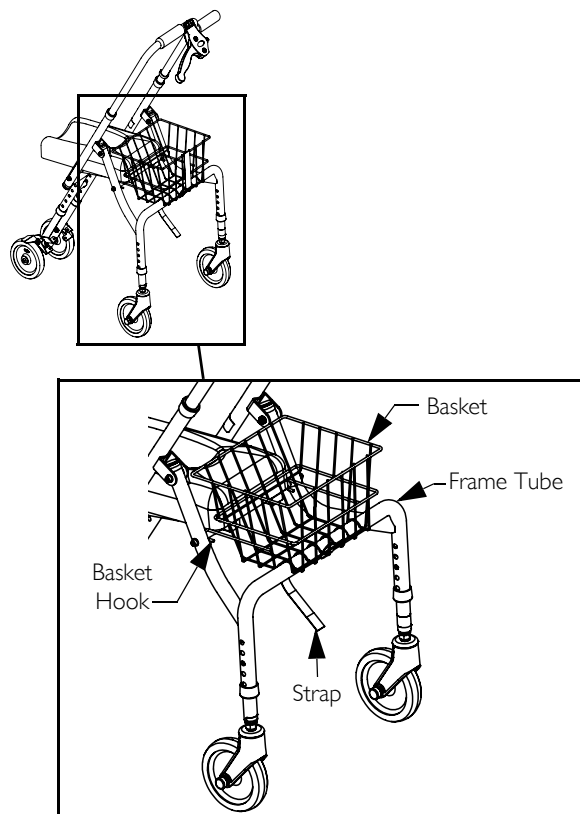


FIGURE 3 Installing/Removing the Basket

LIMITED WARRANTY

PLEASE NOTE: THE WARRANTY BELOW HAS BEEN DRAFTED TO COMPLY WITH FEDERAL LAW APPLICABLE TO PRODUCTS MANUFACTURED AFTER JULY 4, 1975.

This warranty is extended only to the original purchaser/user of our products.

This warranty gives you specific legal rights and you may also have other legal rights which vary from state to state.

Invacare warrants the frame and brakes to be free from defects in materials and workmanship for one year for the original purchaser. If within such warranty period any such product shall be proven to be defective, such product shall be repaired or replaced, at Invacare's option. This warranty does not include any labor or shipping charges incurred in replacement part installation or repair of any such product. Invacare's sole obligation and your exclusive remedy under this warranty shall be limited to such repair and/or replacement.

For warranty service, please contact the dealer from whom you purchased your Invacare product. In the event you do not receive satisfactory warranty service, please write directly to Invacare at the address on the back page. Provide dealer's name, address, model number, date of purchase, indicate nature of the defect and, if the product is serialized, indicate the serial number.

Invacare Corporation will issue a return authorization. The defective unit or parts must be returned for warranty inspection using the serial number, when applicable, as identification within thirty (30) days of return authorization date. **DO NOT** return products to our factory without our prior consent. C.O.D. shipments will be refused; please prepay shipping charges.

LIMITATIONS AND EXCLUSIONS: THE WARRANTY SHALL NOT APPLY TO PROBLEMS ARISING FROM NORMAL WEAR OR FAILURE TO ADHERE TO THE ENCLOSED INSTRUCTIONS. IN ADDITION, THE FOREGOING WARRANTY SHALL NOT APPLY TO SERIAL NUMBERED PRODUCTS IF THE SERIAL NUMBER HAS BEEN REMOVED OR DEFACED; PRODUCTS SUBJECTED TO NEGLIGENCE, ACCIDENT, IMPROPER OPERATION, MAINTENANCE OR STORAGE; OR PRODUCTS MODIFIED WITHOUT INVACARE'S EXPRESS WRITTEN CONSENT INCLUDING, BUT NOT LIMITED TO: MODIFICATION THROUGH THE USE OF UNAUTHORIZED PARTS OR ATTACHMENTS; PRODUCTS DAMAGED BY REASON OF REPAIRS MADE TO ANY COMPONENT WITHOUT THE SPECIFIC CONSENT OF INVACARE; PRODUCTS DAMAGED BY CIRCUMSTANCES BEYOND INVACARE'S CONTROL; PRODUCTS REPAIRED BY ANYONE OTHER THAN AN INVACARE DEALER, SUCH EVALUATION SHALL BE SOLELY DETERMINED BY INVACARE.

THE FOREGOING EXPRESS WARRANTY IS EXCLUSIVE AND IN LIEU OF ALL OTHER EXPRESS WARRANTIES WHATSOEVER, WHETHER EXPRESS OR IMPLIED, INCLUDING THE IMPLIED WARRANTIES OF MERCHANTABILITY AND FITNESS FOR A PARTICULAR PURPOSE AND THE SOLE REMEDY FOR VIOLATIONS OF ANY WARRANTY WHATSOEVER, SHALL BE LIMITED TO REPAIR OR REPLACEMENT OF THE DEFECTIVE PRODUCT PURSUANT TO THE TERMS CONTAINED HEREIN. THE APPLICATION OF ANY IMPLIED WARRANTY WHATSOEVER SHALL NOT EXTEND BEYOND THE DURATION OF THE EXPRESS WARRANTY PROVIDED HEREIN. INVACARE SHALL NOT BE LIABLE FOR ANY CONSEQUENTIAL OR INCIDENTAL DAMAGES WHATSOEVER. THIS WARRANTY SHALL BE EXTENDED TO COMPLY WITH STATE/PROVINCIAL LAWS AND REQUIREMENTS.



Yes, you can.®

Invacare Corporation

www.invacare.com

USA

One Invacare Way
Elyria, Ohio USA
44036-2125
800-333-6900

Canada

570 Matheson Blvd E Unit 8
Mississauga Ontario
L4Z 4G4 Canada
800-668-5324

All rights reserved. Trademarks are identified by the symbols [™] and [®]. All trademarks are owned by or licensed to Invacare Corporation or its subsidiaries unless otherwise noted.

© 2009 Invacare Corporation

Part No 1160852

Rev A - 07//09



Free Manuals Download Website

<http://myh66.com>

<http://usermanuals.us>

<http://www.somanuals.com>

<http://www.4manuals.cc>

<http://www.manual-lib.com>

<http://www.404manual.com>

<http://www.luxmanual.com>

<http://aubethermostatmanual.com>

Golf course search by state

<http://golfingnear.com>

Email search by domain

<http://emailbydomain.com>

Auto manuals search

<http://auto.somanuals.com>

TV manuals search

<http://tv.somanuals.com>