

### SAVE THESE INSTRUCTIONS

*NOTE: Check all parts for shipping damage before using. In case of damage, do not use. Contact the dealer for further instructions.*

### SAFETY SUMMARY

The following recommendations are made for safe installation and use of the Silhouette Lateral Lock-out Kit:

#### GENERAL WARNINGS

DO NOT install this equipment without first reading and understanding this instruction sheet. If you are unable to understand these Warnings, Cautions and Instructions, contact a healthcare professional, dealer or technical personnel if applicable before attempting to install this equipment - otherwise, injury or damage may occur.

Your therapist and physician should be consulted if you have any questions regarding individual limitations and needs.

### DESCRIPTION

The lateral lock-out kit is used in environments where it is not desirable to be able to quickly remove the lateral pads.

### INSTALLING/REMOVING LATERAL LOCK-OUT KIT (FIGURE 1)

#### Installing

1. Place the lateral pad in the mounting bracket and adjust if necessary. Refer to the Silhouette Owner's Manual part number 1080355 for installation/adjustment instructions.
2. Take the O-ring and push it over the quick-release button on the lateral mounting bracket so that the O-ring fits entirely in the groove between the bracket and the button.

#### Removing

1. To restore the quick-release functionality to the Silhouette® lateral, remove the O-ring with tweezers or a paperclip.

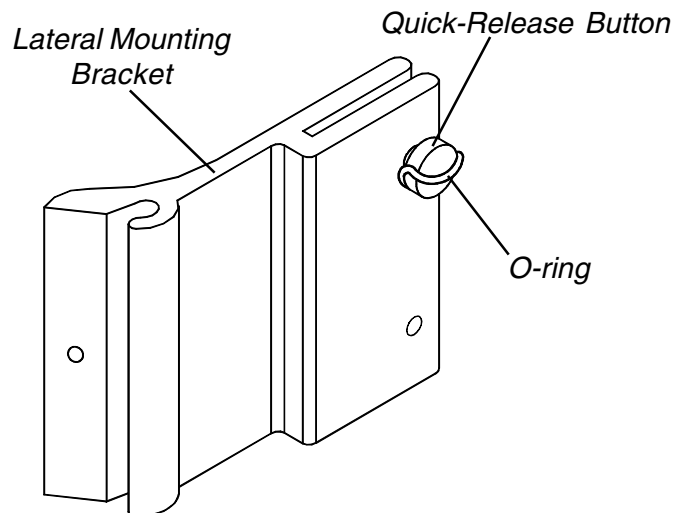


FIGURE 1 - INSTALLING/REMOVING LATERAL LOCK-OUT KIT

Invacare Corporation [www.invacare.com](http://www.invacare.com)



**USA**  
One Invacare Way  
Elyria, Ohio USA  
44036-2125  
800-333-6900

**Canada**  
5970 Chedworth Way  
Mississauga, Ontario  
L5R 3T9, Canada  
800-668-5324

Invacare is a registered trademark of Invacare Corporation.  
© 1999 Invacare Corporation

Form No. 99-112 Part No. 0900103 Rev (2) 11/99

## Free Manuals Download Website

<http://myh66.com>

<http://usermanuals.us>

<http://www.somanuals.com>

<http://www.4manuals.cc>

<http://www.manual-lib.com>

<http://www.404manual.com>

<http://www.luxmanual.com>

<http://aubethermostatmanual.com>

Golf course search by state

<http://golfingnear.com>

Email search by domain

<http://emailbydomain.com>

Auto manuals search

<http://auto.somanuals.com>

TV manuals search

<http://tv.somanuals.com>