

**Formula™CG Powered Seating  
Front Riggings  
For  
3G Storm Series® and  
TDX®SP/SR**



*Yes, you can.™*

## Parts Catalog Usage Guide

The information contained in this document is subject to change without notice. This catalog contains service parts for Form No. 07\_077. If you have any questions regarding this catalog, please contact one of our Customer Service Representatives.

### For Customer Service Support Call:

**1-800-333-6900**

### For Faxed In Orders Call:

**1-800-678-4682 or**

**1-440-366-0709**

### For Technical Service Call:

**1-800-832-4707**

### Literature Can Be Found at:

**www.invacare.com or**

**1-800-828-6272**

## SYMBOL DEFINITION

Throughout this catalog you will notice letters to draw your attention to specific footnotes which are located at the bottom of the page or below specified charts.

Examples:

A,B,C etc. = Special Comments

NOTE: = General information pertaining to that specific page

NLA = No Longer Available

## HARDWARE MEASUREMENTS

The measurements for the hardware will be listed as follows:

Screws, Bolts Diameter X Thread Count/Pitch X Length

Washers Inside Diameter X Outside Diameter X Thickness

Spacers Inside Diameter X Outside Diameter X Length

For your convenience, we have supplied an area for you to list your Invacare Representatives.

Name	Phone Numbers

©2008 Invacare Corporation. Elyria, Ohio. Invacare, Yes, you can., the Blue Medallion Design, SureStep, Storm Series, TDX are registered trademarks and Formula, Contoura, Personal Back 10, DualFlex, MKIV, MK6i, are trademarks of Invacare Corporation.

Otto Bock is a registered trademark owned by Otto Bock Orthopaedische Industrie GMBH & Co.. JAY Back is a registered trademark of Sunrise Medical HHG, Inc. Corporation

# TABLE of CONTENTS

<b>Description</b>	<b>Page Number</b>
A: READ THIS FIRST (THIS CATALOG IS DIFFERENT!) .....	4
Frame Finishes, Touch-Up Paints and Upholstery Options .....	5
Front Rigging - Adjustable Angle Footplates - AT5543 .....	43
Front Rigging - Calf Pads and Attaching Hardware .....	36
Front Rigging - Center Mount Rigging (CTMT-F with FBCTMT One PC Flip-Up Footboard) TDX SP/SR .....	63
Front Rigging - Center Mount Rigging (CTMT-F) For TDX SP/SR .....	61
Front Rigging - Center Mount Rigging (CTMT-FJ) For TDX SP/SR .....	58
Front Rigging - Center Mount Rigging Mtg Hdwr. (12"-16" Wide) (CGT) For TDX SP/SR .....	65
Front Rigging - Center Mount Rigging Mtg Hdwr. (16"-24" Wide) (CGT,CGTE, CGR, CGTR, CGTRE) For TDX SP/SR .....	67
Front Rigging - Center Mount Rigging Mtg. Hdwr. (16"-22" Wide) (CGE) For TDX SP/SR .....	70
Front Rigging - Center Mount Rigging Mtg. Hdwr., (CTMT-F/CTMT-FJ) (CGE) w/ Van Seats For TDX SP/SR .....	72
Front Rigging - Footrest and Legrest Accessories .....	46
Front Rigging - Footrest Support Assemblies (Sector Style) .....	26
Front Rigging - Footrest Supports - (Hemi) - PHW93 .....	38
Front Rigging - Footrest Supports - PW93 .....	37
Front Rigging - Front Rigging Hanger Hdwr., Pin & Sector Style (16"-22" W) (CGE) For TDX SP/SR .....	24
Front Rigging - Front Rigging Hanger Hdwr., Pin, Sector & Hemi Style (12"-16" W) (CGT) .....	18
Front Rigging - Front Rigging Hanger Hdwr., Pin, Sector & Hemi Style (16"-24" W) (CGR, CGTR, CGTRE) .....	22
Front Rigging - Front Rigging Hanger Hdwr., Pin, Sector & Hemi Style (16"-24" W) (CGT/CGTE) .....	20
Front Rigging - Legrest Release Handles and Ratchets .....	35
Front Rigging - Legrest Supports - AT5544 .....	28

# TABLE of CONTENTS

Description	Page Number
Front Rigging - Legrest Supports - P904A .....	30
Front Rigging - Legrest Supports, Articulating (Hemi) - PHAL4A .....	32
Front Rigging - Legrest, Articulating - PAL4A .....	31
Front Rigging - Pivot/Slide Tube and 1650, 1350 Aluminum Footplates .....	41
Front Rigging - Pivot/Slide Tube and 1651 Composite Footplates .....	40
Front Rigging - Power Articulating Legrest - ELRPW .....	50
Front Rigging - Power Elevating Legrest - Articulating (MPCTMT/MPCTMT-L) .....	55
Front Rigging - Pwr. Articulating Legrest - Harness, Hdwr. & DLIAM (Dual Legs Integrated Actuator Module)	53
Front Rigging - Reference Chart - 70ST TAPER .....	17
Front Rigging - Reference Chart - AT5544, 60HD, 70NHD, PW93, PHW93 .....	13
Front Rigging - Reference Chart - P904, PAL4A, PHAL4A .....	15
Label Locations For TRBKTS Option .....	11
Packaging and Literature For 3G Storm Series .....	7
Packaging and Literature For TDX SP/SR .....	9
TRBKTS Option Clarification Reference .....	12

# **A: READ THIS FIRST (THIS CATALOG IS DIFFERENT!)**

Formula CG Powered Seating (Elevate, Tilt, Recline, & Tilt/Recline) parts catalog information is now divided into three separate catalogs.

The Form Numbers and Cover Titles are listed below.

## **Form # 06-106**

Formula CG Powered Seating  
(Elevate, Tilt, Recline, & Tilt/Recline)  
For  
3G Storm Series® and TDX®SP/SR

## **Form # 07-077**

Formula CG Powered Seating  
Front Riggings  
For  
3G Storm Series® and TDX®SP/SR

## **Form # 06-110**

MK6i Electronics  
(MK6i Electronics were introduced on or about 10/9/06)

**Use all three form numbers to order a “complete” Parts Catalog**

# Frame Finishes, Touch-Up Paints and Upholstery Options

## Frame Finishes and Touch-Up Paint

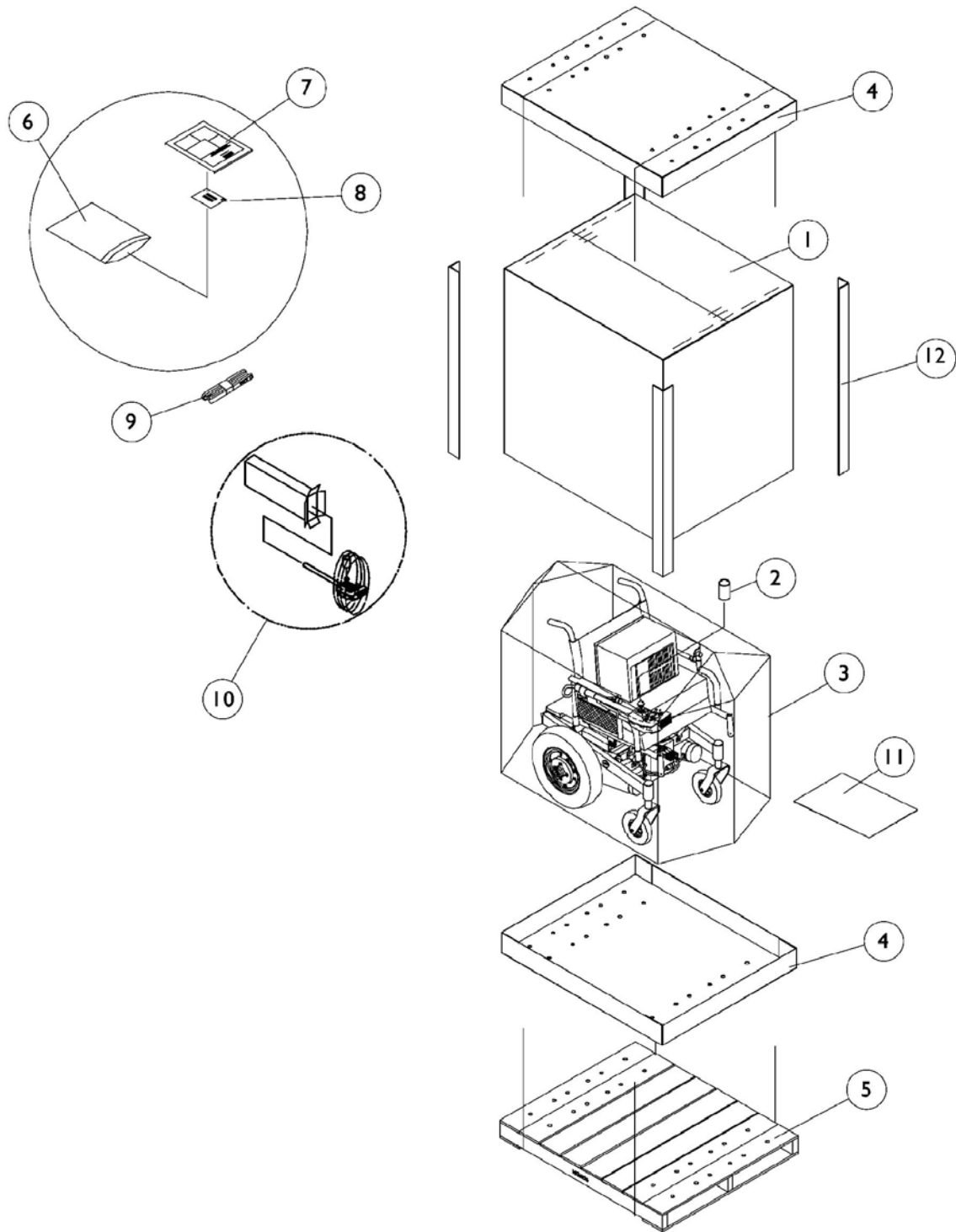
Color Number	Part Number	Bottle Size	Frame Finish
08P	1031456	.6 oz.	Deep Purple
17P	1046319	.6 oz.	Cobalt Blue
22P	1033376	.6 oz.	Anthracite
24P	1031450	.6 oz.	Wet Black
33P	1031455	.6 oz.	Red
34P	1046327	.6 oz.	Flat Black
61P	1046321	.6 oz.	Electric Red
62P	1046320	.6 oz.	Electric Blue
66P	1046322	.6 oz.	Electric Purple
69P	1101320-NLA	.6 oz.	Teflon Black
71P	N/A	N/A	Silver Vein
84P	1073896	.6 oz.	Lavender
101P	1101325	.6 oz.	Jeweled Green
102P	1101327	.6 oz.	Denim Blue
104P	1101316	.6 oz.	Electric Teal
105P	1101326	.6 oz.	Midnight Blue
115P	N/A	N/A	Black Prism
116P	N/A	N/A	Sunkissed Orange
117P	N/A	N/A	Tangerine Red
118P	N/A	N/A	Fruit Fusion
119P	N/A	N/A	Bubblegum Pink
120P	N/A	N/A	Grape Madness
121P	N/A	N/A	Lolly Pop Blue
122P	N/A	N/A	Cosmic Blue
123P	N/A	N/A	Celestial Purple
124P	N/A	N/A	Vivid Violet
125P	N/A	N/A	Emerald Green
126P	N/A	N/A	Shamrock Green
127P	N/A	N/A	Grasshopper Green

# Frame Finishes, Touch-Up Paints and Upholstery Options

## Upholstery Options For ADJASBA Seating w/ Sling Back Upholstery

Nylon Color
U240 Black

# Packaging and Literature For 3G Storm Series

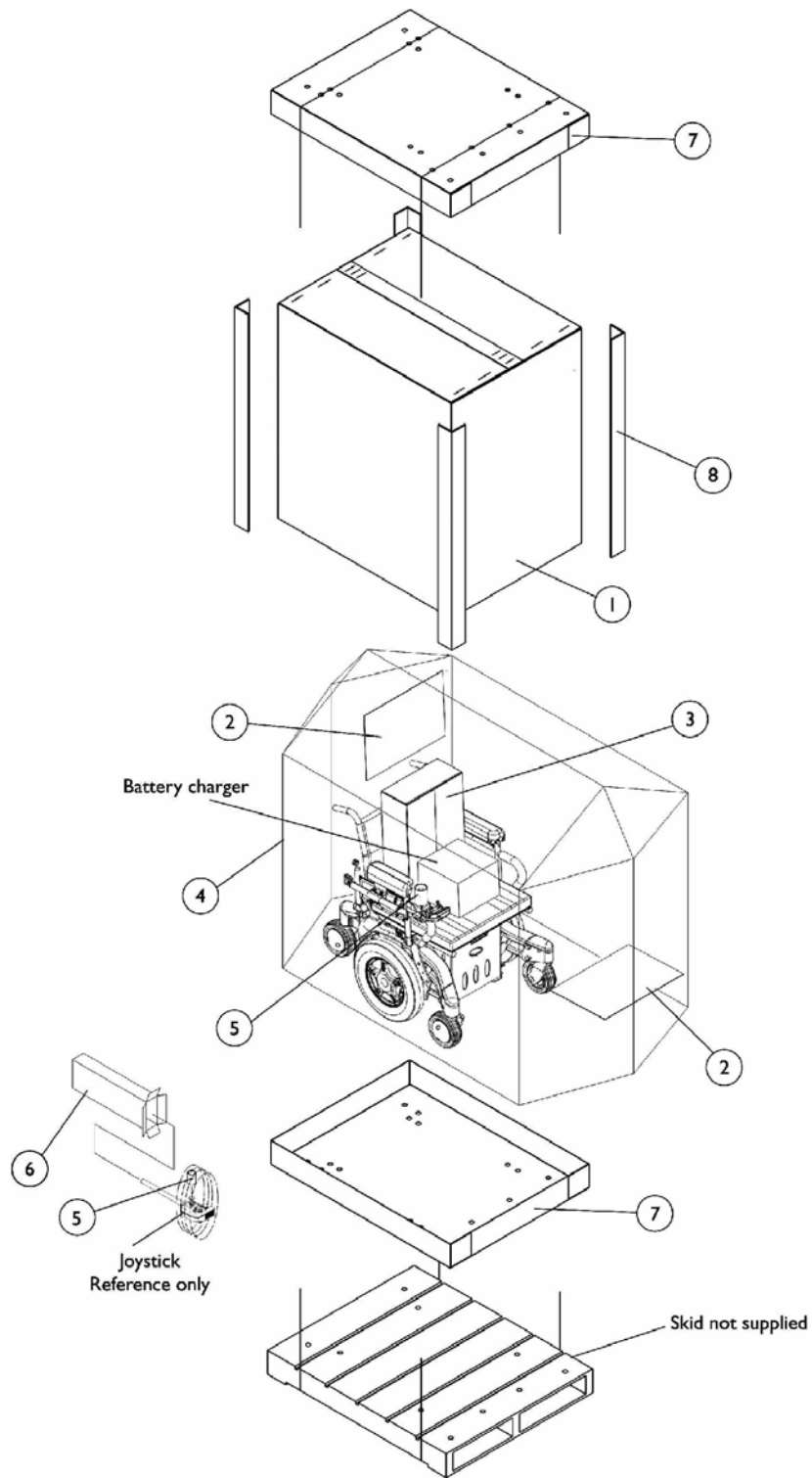




## Packaging and Literature For 3G Storm Series

Item Number	Note	Part Number	Description	Quantity Per	
				Package	Assembly
1	A	1030364	Carton, Cover	1	1
1	B	1031682	Carton, Cover	1	1
1	C	1036028	Carton, Cover	1	1
2		1043198-NLA	Tube, Paper	1	1
3		1015609-NLA	Bag, Poly (28" W x 44" D x 80" H)	1	1
4	D	1030362	Carton, Tray	1	2
4	E	1036027	Carton, Tray	1	2
5	F	See Note	See Footnote	1	1
6		1021149	Bag, Poly Zip-Lip (13" Long x 9" Wide)	1	1
7		1143155	Manual, Owner's Formula CG Seating	1	1
8		00077X031	Warranty Card	1	1
9		50000X121	Strap, Battery Lift	1	1
10		1012001	Carton, Joystick	1	1
11		40131X161	Insert, Plain Pad	1	1
12	A	1115174	Carton, Corner Reinforcement	1	2
12	B	1129589	Carton, Corner Reinforcement	1	2
12	C	1129590	Carton, Corner Reinforcement	1	2
<p>NOTE: A - 12"- 20" wide systems with base            B - 16"- 20" wide systems medium/tall seat-to-floor heights with base            C - 21"- 24" wide systems with base            D - 12"- 20" wide systems with base            E - 21"- 24" wide systems with base            F - Skid not supplied</p> <p>NOTE: When adjusting or replacing parts, please refer to your Owner's Manual for assistance.</p>					

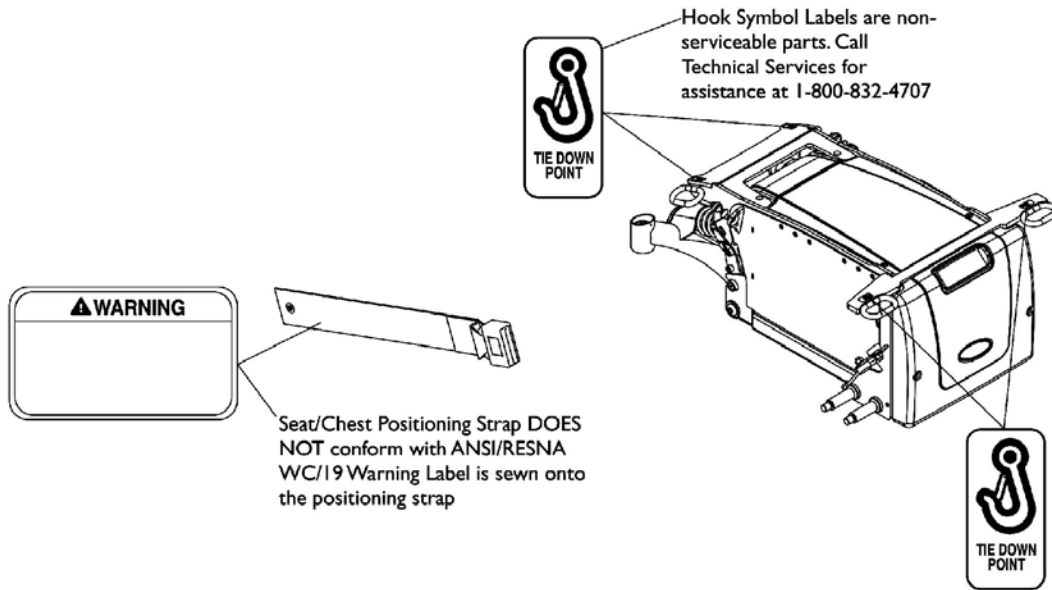
# Packaging and Literature For TDX SP/SR



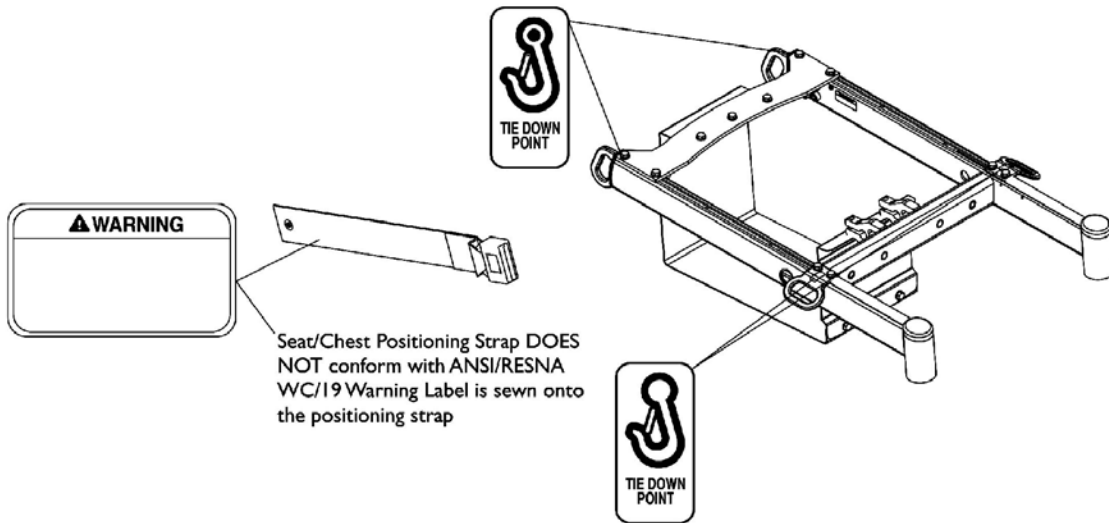
## Packaging and Literature For TDX SP/SR

Item Number	Note	Part Number	Description	Quantity Per	
				Package	Assembly
1	A	1030364	Carton, Cover	1	1
1	B	1031682	Carton, Cover	1	1
1	C	1036028	Carton, Cover	1	1
2		40131X161	Insert, Plain Pad	1	2
3		40131X011	Carton, Front Riggings	1	1
4		1015592	Bag, Poly (72" L x 35" W x 19" D)	1	1
5		1043198-NLA	Tube, Paper	1	1
6		1012001	Carton, Joystick	1	1
7	D	1030362	Carton, Tray	1	2
7	E	1036027	Carton, Tray	1	2
8	D	1115174	Carton, Corner Reinforcement	1	4
8	B	1129589	Carton, Corner Reinforcement	1	4
8	E	1129590	Carton, Corner Reinforcement	1	4
		00077X031	Warranty Card	1	1
	F	1143155	Manual, Owner's Formula CG Seating	1	1
<p>NOTE: A - 12"-20" wide systems with base            B - 16"-20" wide systems medium/tall seat-to-floor heights with base            C - 21"-24" wide systems with base            D - 12"-20" wide systems with base            E - 21"-24" wide systems with base            F - Not Shown</p> <p>When adjusting or replacing parts, please refer to your Owner's Manual for assistance.</p>					

# Label Locations For TRBKTS Option



## TRBKTS Option Label Locations For TDX SP



## TRBKTS Option Label Locations For 3G Storm Series

# TRBKTS Option Clarification Reference

TRBKTS Option is an On-Chair option only.

## About TRBKTS Transport Ready Package

**TRBKTS** includes four factory-installed wheelchair transport brackets. **TRBKTS** has not been crash-tested in accordance with WC 19. Use these transport brackets only to secure an unoccupied wheelchair during transport.

Only use the transport brackets included with **TRBKTS** for the purpose described in the appropriate Owner's Operator and Maintenance Manual.

Battery support brackets **MUST** be installed at all times. Otherwise, the wheelchair will not be WC/19 compliant. Refer to Removing/Installing the Batteries From/Into the Wheelchair in the appropriate Owner's Operator and Maintenance Manual.

As of this date, the Department of Transportation has not approved any tie-down systems for transportation of a user while in a wheelchair, in a moving vehicle of any type. It is Invacare's position that users of wheelchairs should be transferred into appropriate seating in vehicles for transportation and use be made of the restraints made available by the auto industry. Invacare cannot and does not recommend any wheelchair transportation systems.

**NOTE:** ANSI = American National Standards Institute, RESNA = Rehabilitation Engineering and Assistive Technology Society of North America.

# Front Riggings Reference Chart

## For AT5544, 60HD, 70NHD, PW93, PHW93

**NOTE: Calf pads with attaching hardware not included on legrest.**

**NOTE: Pivot/ Slide tube attaching hardware not included.**

**NOTE: Pivot/Slide tube and footplates do not include heel loops. See footrest and legrest accessories.**

1651 = Composite footplate with 9-7/8" curved pivot/ slide tube.
AT5543 = Adjustable angle footplate with 9-7/8" straight pivot/ slide tube.
1350 = Extra large footplate with "L" style pivot/ slide tube.

### Support Assemblies

**Pivot/Slide tube and footplates are interchangeable with the support assemblies listed.**

Rigging Type	AT5544	60HD	70NHD	PW93	PHW93
Right	8881045291	8881053158	8881053149	8881070776	8881126089
See Note(s) C	See Note(s) B, A	See Note(s) C, A	See Note(s) C, A	See Note(s) C, A	See Note(s) D, A
Left	8881045292	8881053157	8881053148	8881070777	8881126090
	See Note(s) B, A	See Note(s) C, A	See Note(s) C, A	See Note(s) C, A	See Note(s) D, A

NOTE: A - Specify frame color when ordering, see page titled "Frame Finishes and Touch-Up Paints".  
 B - Offered on 3G Storm Series and TDX SP/SR models  
 C - Offered on 3G Storm Series models  
 D - Offered on TDX SP/SR models

### Pivot/ Slide Tube and Footplates

Footplate Type	1651 13-14" W	1651 15-16" W	1651 17-24" W	1350 17-24" W	AT5543 12-13" W	AT5543 14-15" W	AT5543 16-24" W
Right	1057859	1057869	1057879	1026395	1060442	1060444	1062756
Left	1057860	1057870	1057880	1026396	1060443	1060445	1062757

# Front Riggings Reference Chart

## For AT5544, 60HD, 70NHD, PW93, PHW93

### 2" Longer Pivot/ Slide Tube and Footplates

Footplate Type	1651 13-14" W	1651 15-16" W	1651 17-24" W	1350 17-24" W	AT5543 12-13" W	AT5543 14-15" W	AT5543 16-24" W
Right	1057861	1057871	1057881	1086515	N/A	1062758	1062760
Left	1057862	1057872	1057882	1086517	N/A	1062759	1062761

### 4" Longer Pivot/ Slide Tube and Footplates

Footplate Type	1651 13-14" W	1651 15-16" W	1651 17-24" W	1350 17-24" W	AT5543 12-13" W	AT5543 14-15" W	AT5543 16-24" W
Right	1058419	1058421	1058423	1086516	N/A	N/A	N/A
Left	1058420	1058422	1058424	1086518	N/A	N/A	N/A

# Front Riggings Reference Chart

## For P904, PAL4A, PHAL4A

**NOTE: Calf pads with attaching hardware not included on legrest.**

**NOTE: Pivot/Slide tube attaching hardware not included.**

**NOTE: Pivot/Slide tube and footplates do not include heel loops. See footrest and legrest accessories.**

1650 = Aluminum footplate with "L" style pivot/slide tube.
AT5543 = Adjustable angle footplate with 9-7/8" straight pivot/slide tube.
1350 = Extra large footplate with "L" style pivot/slide tube.

### Support Assembly

**Pivot/Slide tube and footplates are interchangeable with the support assemblies listed.**

Rigging Type	P904
Right	8881058646  See Note(s) B, A
Left	8881058647  See Note(s) B, A

NOTE: A - Specify Frame Color when ordering, see page titled "Frame Color and Touch-Up Paint".  
B - Offered on 3G Storm Series models only

### Pivot/Slide Tube and Footplates

Footplate Type	1650 14-15" W	1650 16-24" W	1350 17-24" W	AT5543 14-15" W	AT5543 16-24" W
Right	1058612	1058604	1058830	1060444	1062756
Left	1058613	1058605	1058831	1060445	1062757

### 2" Longer Pivot/Slide Tube and Footplates

Footplate Type	1650 14-15" W	1650 16-24" W	1350 17-24" W	AT5543 14-15" W	AT5543 16-24" W
Right	N/A	1086529	1086541	1062758	1062760
Left	N/A	1086531	1086551	1062759	1062761



# Front Riggings Reference Chart

## For P904, PAL4A, PHAL4A

### 4" Longer Pivot/Slide Tube and Footplates

Footplate Type	1650 14-15" W	1650 16-24" W	1350 17-24" W	AT5543 14-15" W	AT5543 16-24" W
Right	N/A	1086530	1086542	N/A	N/A
Left	N/A	1086532	1086552	N/A	N/A

### Support Assembly

**Pivot/Slide tube and footplates are interchangeable with the support assemblies listed.**

Rigging Type	PAL4A/PHAL4A (Chrome Only)
PAL4A - Right See Note(s) A	1058482
PAL4A - Left See Note(s) A	1058483
PHAL4A - Right See Note(s) B	1031437
PHAL4A - Left See Note(s) B	1031438

NOTE: A - Offered on 3G Storm Series models only  
B - Offered on TDX SP models only

### Pivot/Slide Tube and Footplates

Footplate Type	1650 14-15" W	1650 16-24" W	1350 17-24" W	AT5543 14-15" W	AT5543 16-24" W
Right	1023905	1023907	1035456	1091775	1091777
Left	1023906	1023908	1035457	1091776	1091778

# Front Riggings Reference Chart For 70ST TAPER

**NOTE: Pivot/Slide tube attaching hardware not included.**

**NOTE: Pivot/Slide tube and footplates do not include heel loops. See footrest and legrest accessories.**

1651 = Composite footplate with 9-7/8" curved pivot/slide tube.

## Support Assemblies

**Pivot/Slide tube and footplates are interchangeable with the support assemblies listed.**

Rigging Type	70ST TAPER
Right	8881026996  See Note(s) B, A
Left	8881026997  See Note(s) B, A

NOTE: A - Specify frame color when ordering, see page titled "Frame Finishes and Touch-Up Paints".  
B - Offered on 3G Storm Series and TDX SP/SR models

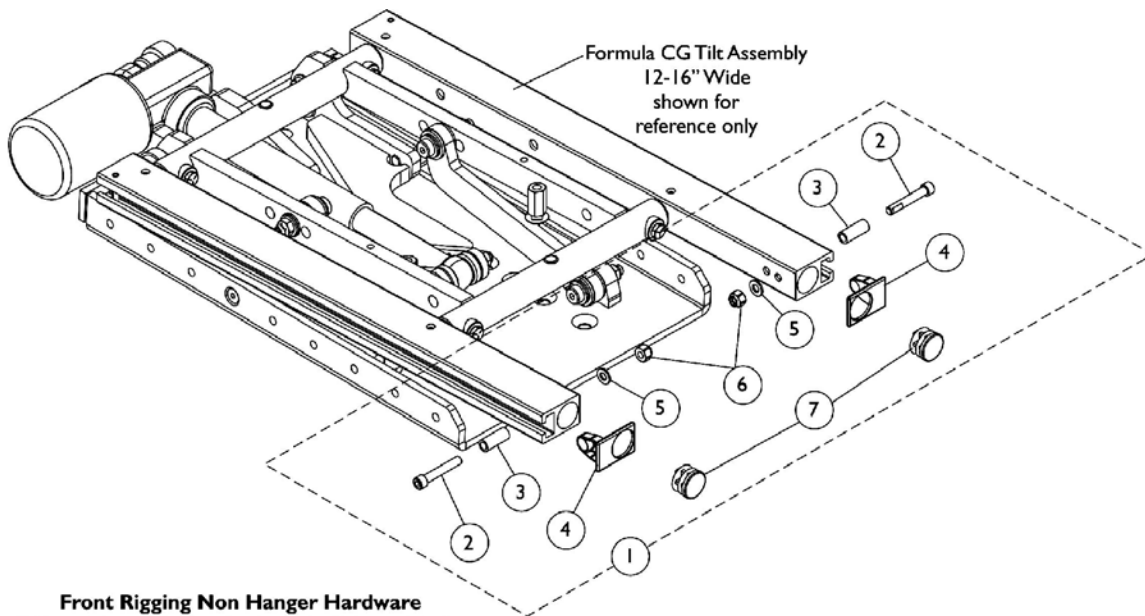
## Pivot/Slide Tube and Footplates

Footplate Type	1651 15-17" W	1651 18-19" W	1651 20-24" W
Right	1057859	1057869	1057879
Left	1057860	1057870	1057880

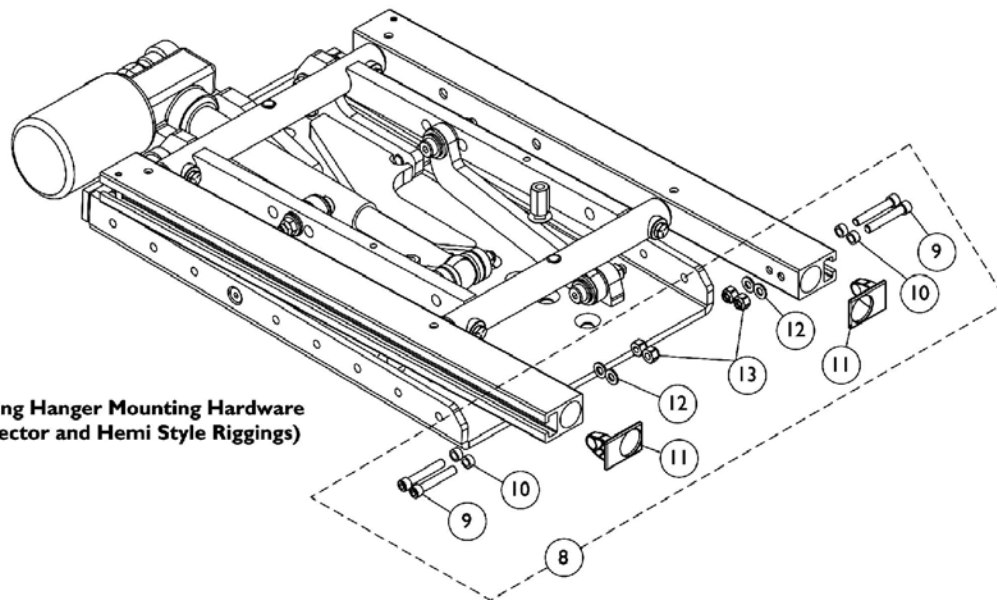
## 2" Longer Pivot/Slide Tube and Footplates

Footplate Type	1651 15-17" W	1651 18-19" W	1651 20-24" W
Right	1057861	1057871	1057881
Left	1057862	1057872	1057882

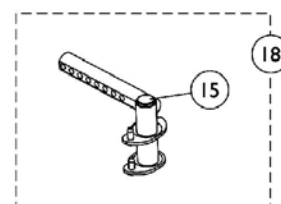
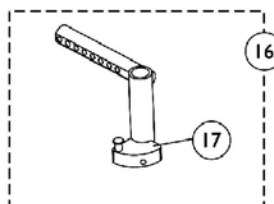
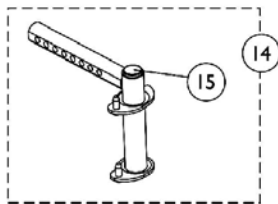
# Front Rigging Hangers and Hardware Pin, Sector and Hemi Style (12"-16" Wide) (CGT)



**Front Rigging Non Hanger Hardware  
(When Front Rigging Is Excluded From Chair)**



**Front Rigging Hanger Mounting Hardware  
(For Pin, Sector and Hemi Style Riggings)**

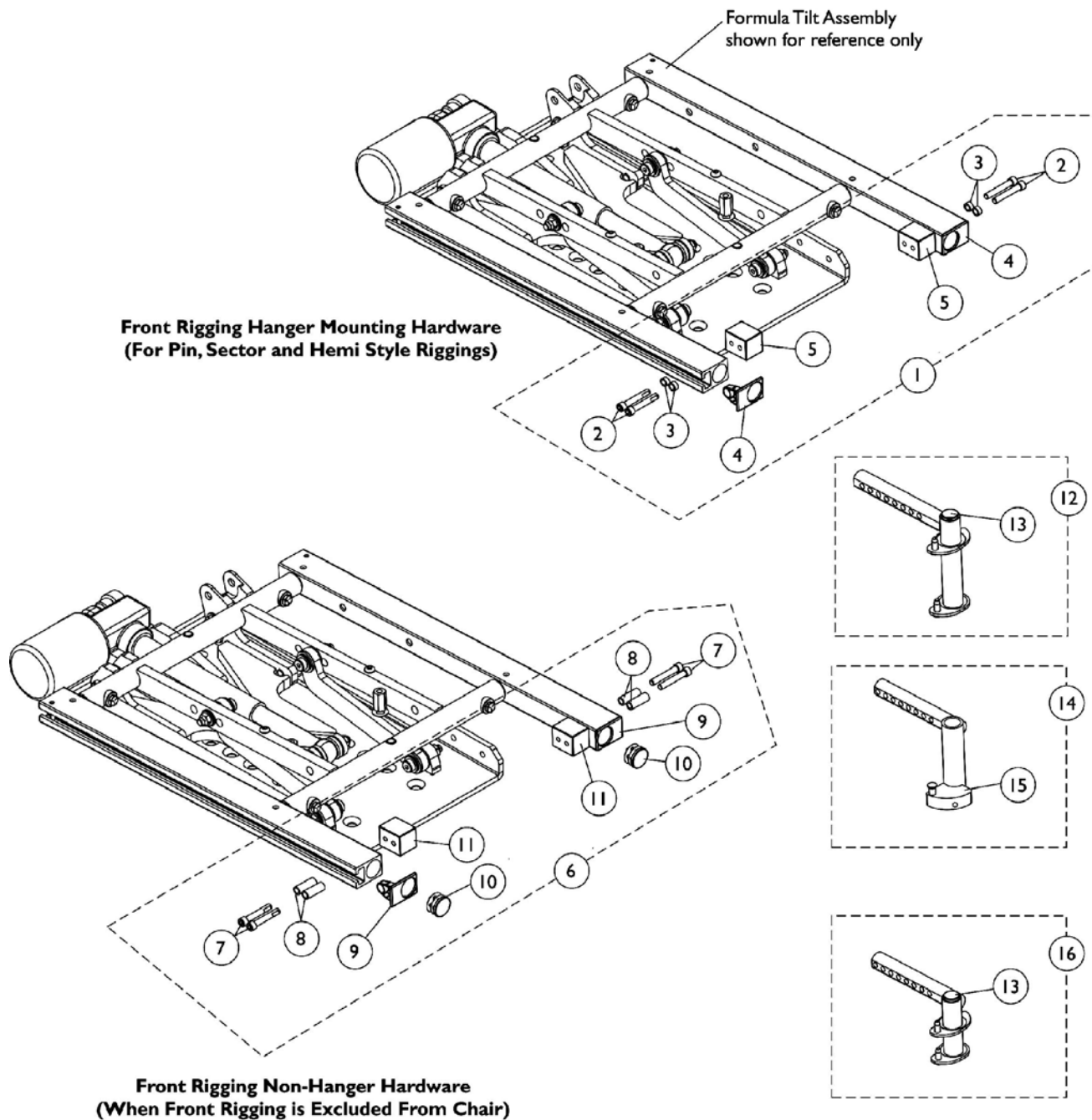


## Front Rigging Hangers and Hardware Pin, Sector and Hemi Style (12"-16" Wide) (CGT)

Item Number	Note	Part Number	Description	Quantity Per	
				Package	Assembly
1	A	1126150	Kit, Side Rail Cap Hardware	2	1
2			Screw, Socket Head Cap w/ Patch (1/4-20 x 1-1/2")	1	2
3			Spacer (1/4 x 3/8 x 29/32")	1	2
4			Cap, Side Rail End	1	2
5			Washer (1/4 x 1/2 x 1/16")	1	2
6			Locknut (1/4-20)	1	2
7			Plug Button, Black (7/8")	1	2
8	B	1136019	Kit, Front Rigging Hanger Mounting Hardware	2	1
9			Screw, Socket Head Cap w/ Patch (1/4-20 x 1-1/2")	1	4
10			Spacer (1/4 x 3/8 x 3/16")	1	4
11			Cap, Side Rail End	1	2
12			Washer (1/4 x 1/2 x 1/16")	1	4
13			Locknut (1/4-20)	1	4
14		1143781	Front Rigging Hanger, Pin Style w/ Plug Button (Adult) - Right	1	1
14		1143782	Front Rigging Hanger, Pin Style w/ Plug Button (Adult) - Left	1	1
15		1134426	Package, Plug Buttons, Black (3/4")	10	1
16	C	1143416	Front Rigging Hanger Asbly. (Sector Style) - Right	1	1
16	C	1143417	Front Rigging Hanger Asbly. (Sector Style) - Left	1	1
17	D	1054571	Kit, Sector Block - Right	1	1
17	D	1054572	Kit, Sector Block - Left	1	1
18	E	1143783	Front Rigging Hanger w/ Plug Button (Hemi) - Right	1	1
18	E	1143784	Front Rigging Hanger w/ Plug Button (Hemi) - Left	1	1
NOTE: A - Includes items 2-7 B - Includes items 9-13 C - Includes Front Rigging Hanger and item 17 D - Includes the Sector Block, Screw and Washer E - Used for TDX SP/SR models only					

# Front Rigging Hangers and Hardware

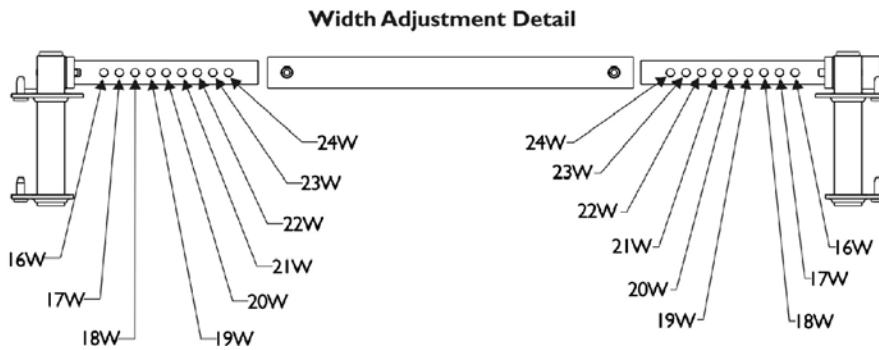
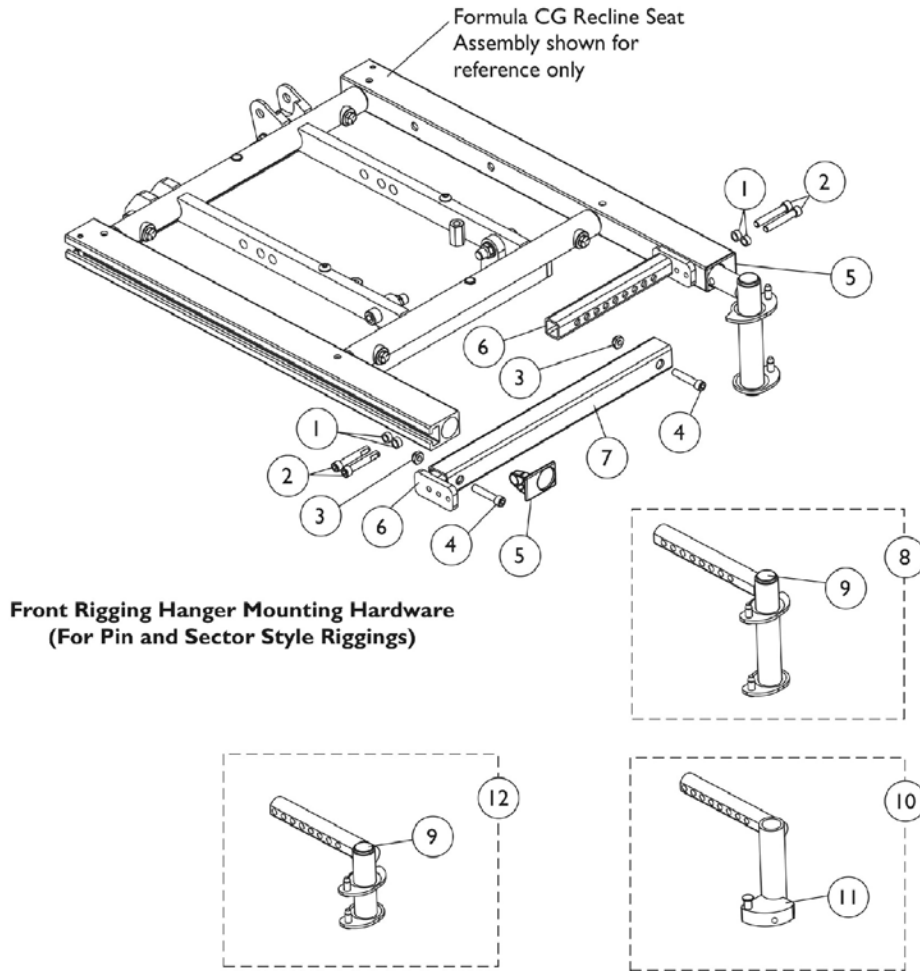
## Pin, Sector and Hemi Style (16"-24" Wide) (CGT/CGTE)



## Front Rigging Hangers and Hardware Pin, Sector and Hemi Style (16"-24" Wide) (CGT/CGTE)

Item Number	Note	Part Number	Description	Quantity Per	
				Package	Assembly
1	A	1125726	Kit, Front Rigging Hanger Mounting Hardware (Pair)	1	1
2			Screw, Socket Head Cap w/ Patch (1/4-20 x 1-1/2")	1	4
3			Spacer (1/4 x 3/8 x 3/16")	1	4
4			Cap, Side Rail End	1	2
5			Block, Threaded	1	2
6	B	1124723	Kit, Side Rail Cap Hardware (Pair)	1	1
7			Screw, Socket Head Cap w/ Patch (1/4-20 x 1-1/2")	1	4
8			Spacer (1/4 x 3/8 x 29/32")	1	4
9			Cap, Side Rail End	1	2
10			Plug Button, Black (1")	1	2
11			Block, Threaded	1	2
12		1143781	Front Rigging Hanger, Pin Style w/ Plug Button (Adult) - Right	1	1
12		1143782	Front Rigging Hanger, Pin Style w/ Plug Button (Adult) - Left	1	1
13		1134426	Package, Plug Buttons, Black (3/4")	10	1
14	C	1143416	Front Rigging Hanger Asbly. (Sector Style) - Right	1	1
14	C	1143417	Front Rigging Hanger Asbly. (Sector Style) - Left	1	1
15	D	1054571	Kit, Sector Block - Right	1	1
15	D	1054572	Kit, Sector Block - Left	1	1
16	E	1143783	Front Rigging Hanger w/ Plug Button (Hemi) - Right	1	1
16	E	1143784	Front Rigging Hanger w/ Plug Button (Hemi) - Left	1	1
NOTE: A - Includes items 2-5 B - Includes items 7-11 C - Includes Front Rigging Hanger and item 15 D - Includes the Sector Block, Screw and Washer E - Used for TDX SP/SR models only					

# Front Rigging Hangers and Hardware Pin, Sector and Hemi Style (16"-24" Wide) (CGR, CGTR, CGTRE)



## Front Rigging Hangers and Hardware

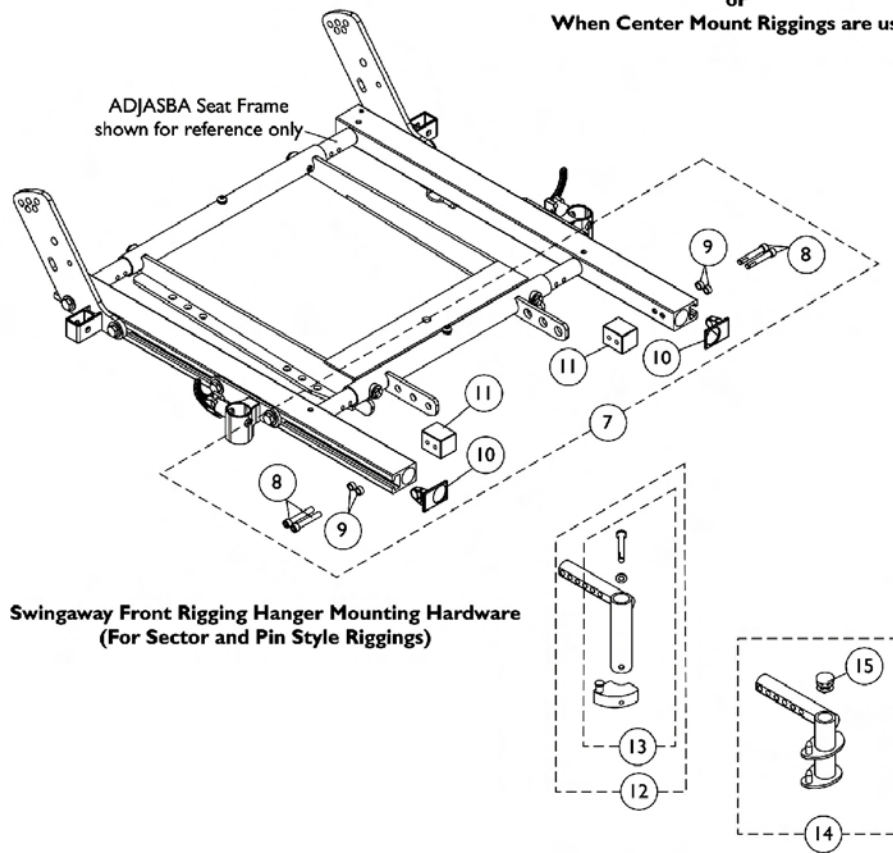
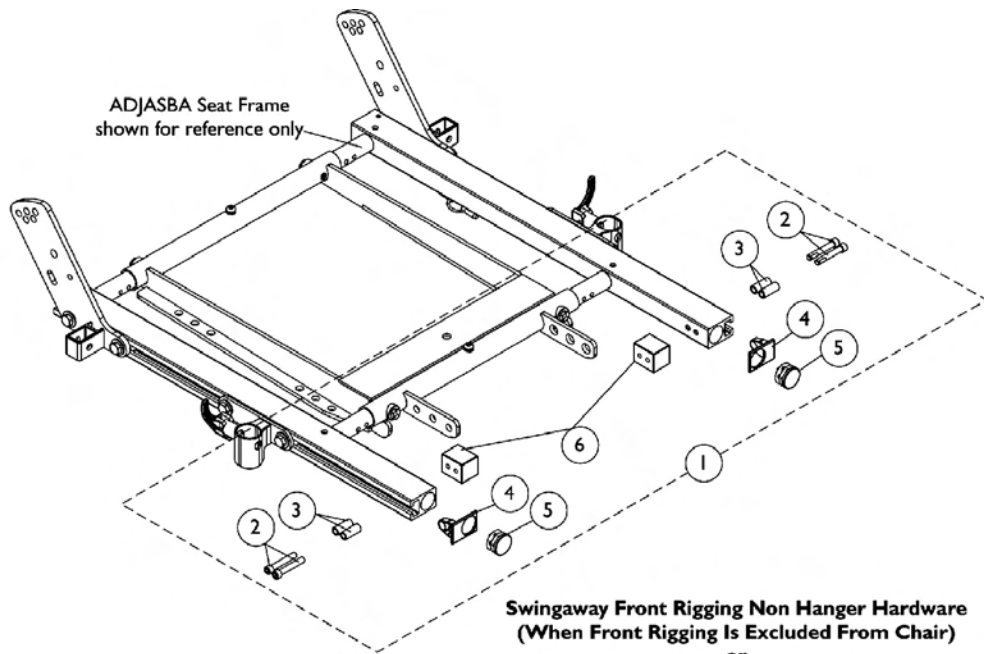
### Pin, Sector and Hemi Style (16"-24" Wide) (CGR, CGTR, CGTRE)

Item Number	Note	Part Number	Description	Quantity Per	
				Package	Assembly
1		1047449	Spacer (1/4 x 3/8 x 3/16")	1	4
2		1038379	Screw, Socket Head Cap w/ Patch (1/4-20 x 1-1/2")	1	4
3		1025195	Locknut (1/4-20)	1	2
4		1003545	Screw, Socket Head (1/4-20 x 1-1/4")	1	2
5		1120286	Cap, Side Rail End	1	2
6		1121728	Support, Seat Pan (16-24" Wide)	1	2
7		1121714	X-Member, Front Center Seat Frame	1	1
8		1143781	Front Rigging Hanger, Pin Style w/ Plug Button (Adult) - Right	1	1
8		1143782	Front Rigging Hanger, Pin Style w/ Plug Button (Adult) - Left	1	1
9		1134426	Package, Plug Buttons, Black (3/4")	10	1
10	A	1143416	Front Rigging Hanger Asbly. (Sector Style) - Right	1	1
10	A	1143417	Front Rigging Hanger Asbly. (Sector Style) - Left	1	1
11	B	1054571	Kit, Sector Block - Right	1	1
11	B	1054572	Kit, Sector Block - Left	1	1
12	C	1143783	Front Rigging Hanger w/ Plug Button (Hemi) - Right	1	1
12	C	1143784	Front Rigging Hanger w/ Plug Button (Hemi) - Left	1	1

NOTE: A - Includes Front Rigging Hanger and item 11  
 B - Includes the Sector Block, Screw and Washer  
 C - Used for TDX SP/SR models only



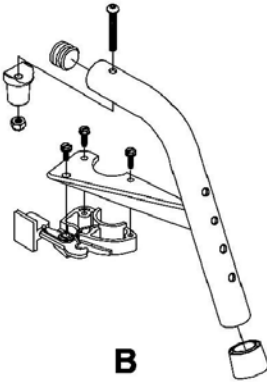
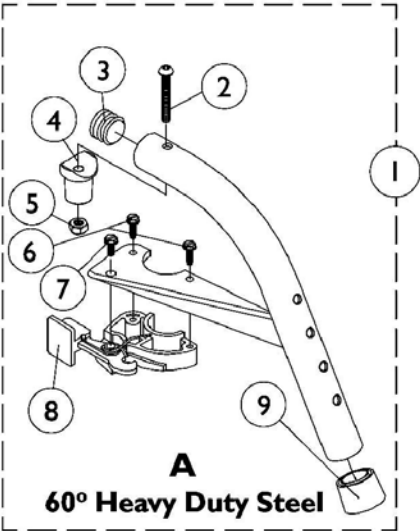
# Front Rigging Hangers and Hardware Pin & Sector Style (16"-22" Wide) (CGE) For TDX SP/SR



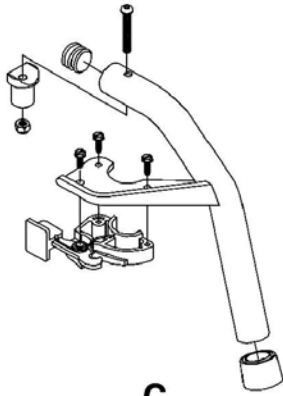
## Front Rigging Hangers and Hardware Pin & Sector Style (16"-22" Wide) (CGE) For TDX SP/SR

Item Number	Note	Part Number	Description	Quantity Per	
				Package	Assembly
1	A	1124723	Kit, Side Rail Cap Hardware (Pair)	1	1
2			Screw, Socket Head Cap w/ Patch (1/4-20 x 1-1/2")	1	4
3			Spacer (1/4 x 3/8 x 29/32")	1	4
4			Cap, Side Rail End	1	2
5			Plug Button, Black (1")	1	2
6			Block, Threaded	1	2
7	B	1125726	Kit, Front Rigging Hanger Mounting Hardware (Pair)	1	1
8			Screw, Socket Head Cap w/ Patch (1/4-20 x 1-1/2")	1	4
9			Spacer (1/4 x 3/8 x 3/16")	1	4
10			Cap, Side Rail End	1	2
11			Block, Threaded	1	2
12	C	1122602	Front Rigging Hanger Asbly., Sector Style - Right	1	1
12	C	1122603	Front Rigging Hanger Asbly., Sector Style - Left	1	1
13	D	1054571	Kit, Sector Block - Right	1	1
13	D	1054572	Kit, Sector Block - Left	1	1
14		1124401	Front Rigging Hanger Pin Style with Plug Button (Hemi) - Right	1	1
14		1124402	Front Rigging Hanger Pin Style with Plug Button (Hemi) - Left	1	1
15		1134426	Package, Plug Buttons, Black (3/4")	10	1
NOTE: A - Includes items 2-6 B - Includes items 8-11 C - Includes item 13 D - Includes Sector Block, Screw and Washer					

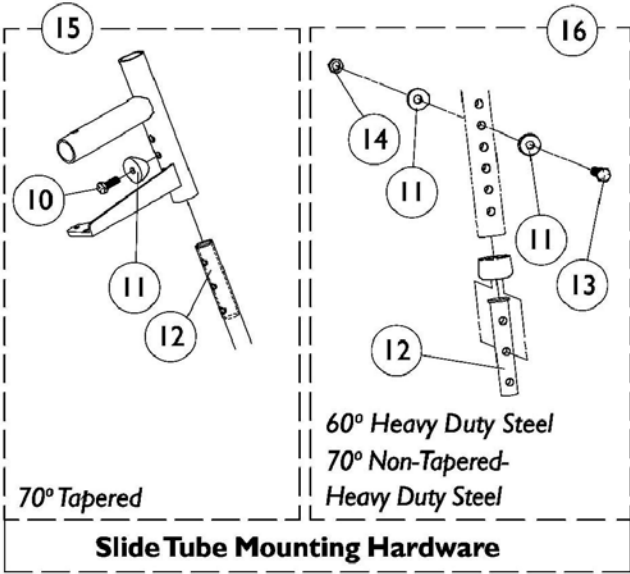
# Footrest Support Assemblies Sector Style



**70° Non-Tapered  
Heavy Duty Steel**



**70° Tapered**

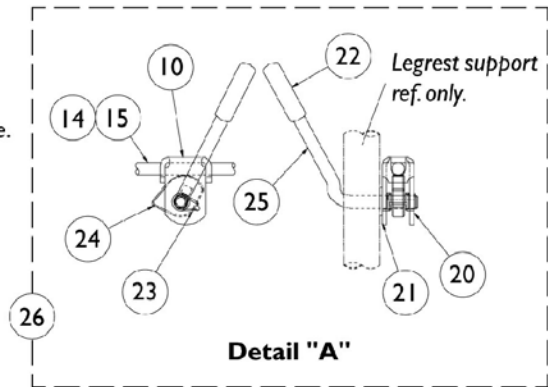
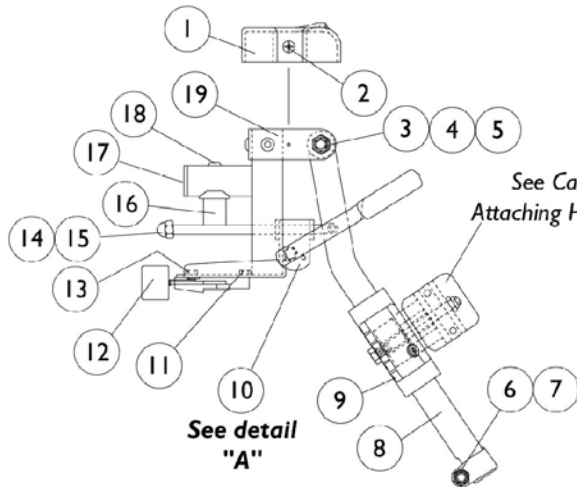


## Footrest Support Assemblies Sector Style

Item Number	Note	Part Number	Description	Quantity Per	
				Package	Assembly
1	A,C	8881053158	Footrest Support Assembly, 60° Heavy Duty, Sector, Color - Right	1	1
1	A,C	8881053157	Footrest Support Assembly, 60° Heavy Duty, Sector, Color - Left	1	1
1	A,D	8881053149	Footrest Support Assembly, 70° Non-Tapered Heavy Duty, Sector, Color - Right	1	1
1	A,D	8881053148	Footrest Support Assembly, 70° Non-Tapered Heavy Duty, Sector, Color - Left	1	1
1	A,E	8881026996	Footrest Support Assembly, 70° Tapered, Sector, Color - Right	1	1
1	A,E	8881026997	Footrest Support Assembly, 70° Tapered, Sector, Color - Left	1	1
2		7930321	Screw, Socket Button Head (1/4-20 x 1-7/8")	25	1
3		1029501	Plug Button, Black (1")	1	1
4		1017148	Plug, Pivot	1	1
5		7930333	Locknut (1/4-20)	25	1
6		1025451	Screw, Slotted Hex Washer Head (#10-32 x 5/8")	1	2
7		7930314	Screw, Slotted Hex Head (#10-32 x 1/2")	25	1
8		1025454	Latch Housing - Right	1	1
8		1025455	Latch Housing - Left	1	1
9		1026124	Anti-Rattle Collar	1	1
10		1045267	Screw, Hex Head (1/4-20 x 3/4")	1	1
11	B	1026099	Spacer, Coved (1/4 x 11/16 x 1/2")	1	2
12		1020534	Insert, Threaded	1	1
13		1070759	Screw, Hex Head (1/4-20 x 1-1/2")	1	1
14		7930338	Nut, Acorn (1/4-20)	25	1
15		1026703	Kit, Pivot/Slide Tube Mounting Hardware (Pair)	2	1
16		1057846	Kit, Pivot/Slide Tube Mounting Hardware (Pair)	2	1
	F	1026987	Impact Guard, 8" Long	1	1

NOTE: A - Specify frame color when ordering. See page titled "Frame Finishes and Touch-Up Paints."  
 B - Item 16 takes 4  
 C - See Image "A" and offered on 3G Storm Series models only  
 D - See Image "B" and offered on 3G Storm Series models only  
 E - See Image "C" and offered on 3G Storm Series and TDX SP/SR models  
 F - Not Shown

# AT5544 Legrest Supports (Sector Style) 12"-24" Wide Chairs

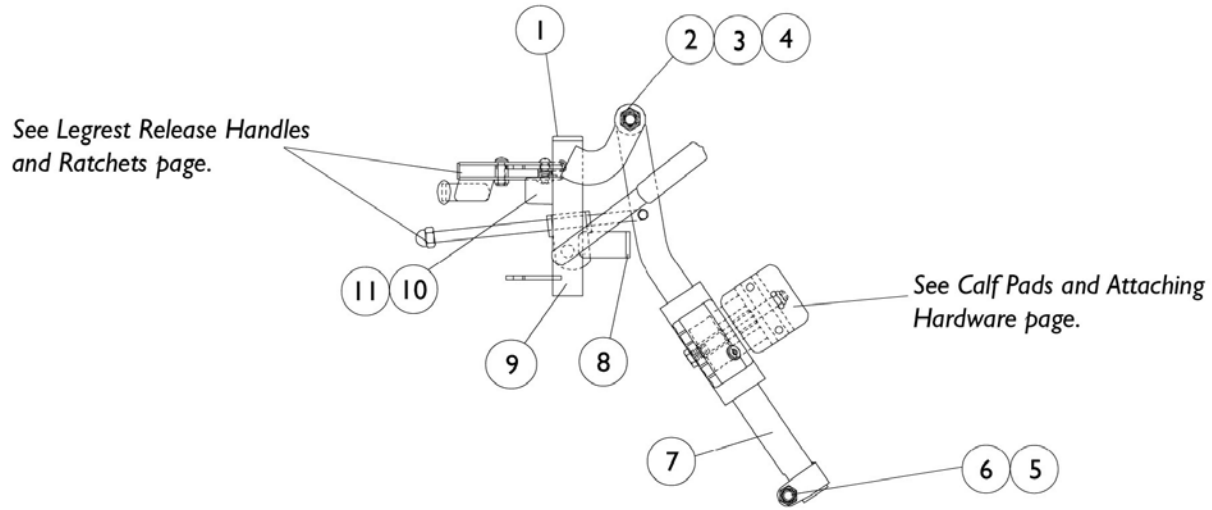


# AT5544 Legrest Supports (Sector Style) 12"-24" Wide Chairs

Item Number	Note	Part Number	Description	Quantity Per	
				Package	Assembly
1		1017187	Cover, Top	1	1
2		1028529	Screw, Phillips Pan Head (#8-32 x 3/8")	1	2
3		40363X000	Hex Nut (3/8"-16)	1	1
4		1058636	Washer, Nylon (25/64 x 7/8 x 1/32")	1	2
5		11919X000	Screw, Truss Head (3/8-16 x 1-1/2")	1	1
6		7930330	Locknut (5/16-24)	25	3
7		1026030	Screw, Lug (5/16-24 x 1-3/8")	1	1
8		1043556	Tube, Elevating Support (Black) - Right	1	1
8		1043557	Tube, Elevating Support (Black) - Left	1	1
8	A	8881048851	Tube, Elevating Support (Color) - Right	1	1
8	A	8881048852	Tube, Elevating Support (Color) - Left	1	1
9		1032266	Bracket, Legrest Pad Mounting, Black	1	1
10		04528X002	Bracket, Release (Chrome)	1	1
11		1025451	Screw, Slotted Hex Washer Head (#10-32 x 5/8")	1	2
12		1025454	Latch Housing - Right	1	1
12		1025455	Latch Housing - Left	1	1
13		7930314	Screw, Slotted Hex Head (#10-32 x 1/2")	25	1
14		42326X001	Bar, Ratchet	1	1
15		7930336	Nut, Acorn (5/16-24)	25	1
16		1017148	Plug, Pivot	1	1
17		1029501	Plug Button, Black (1")	1	1
18		7930301	Package, Button Head Cap Screws (1/4-20 x 1-3/4")	25	1
19	A	8881045289	Bracket, Legrest Support, Color - Right	1	1
19	A	8881045290	Bracket, Legrest Support, Color - Left	1	1
20		1040831	Snap Ring	1	1
21		7930310	Washer, Nylon (5/16 x 11/16 x 1/16")	25	1
22		1040060	Tip, Black Plastic	1	1
23		1037485	Spring, Release	1	1
24		1037125	Cam, Legrest	1	1
25		1037126	Handle, Release	1	1
26	B	1096974	Kit, Ratchet Elevating Legrest	2	1
	C	1096943	Instruction Sheet, Ratchet Kit	1	1
	A,C	8881045291	Legrest Support Assembly, Sector, Color - Right	1	1
	A,C	8881045292	Legrest Support Assembly, Sector, Color - Left	1	1

NOTE: A - Specify frame color when ordering. See page titled "Frame Finishes and Touch-Up Paints".  
 B - Includes items 10, 14, 15 and 20-25  
 C - Not Shown

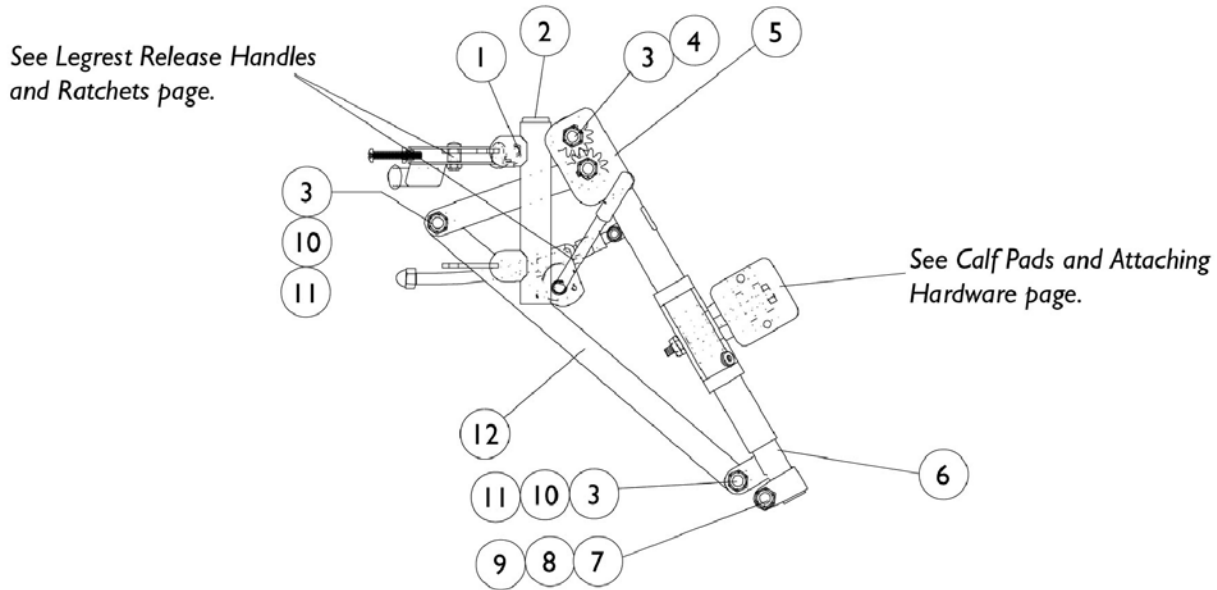
# P904A Legrest Supports (Pin Style) Color 14"-24" Wide Chairs



Item Number	Note	Part Number	Description	Quantity Per	
				Package	Assembly
1		1027095	Plug Button, Black (7/8")	1	1
2		11919X000	Screw, Truss Head (3/8-16 x 1-1/2")	1	1
3		1058636	Washer, Nylon (25/64 x 7/8 x 1/32")	1	2
4		40363X000	Hex Nut (3/8"-16)	1	1
5		7930330	Locknut (5/16-24)	25	3
6		1026030	Screw, Lug (5/16-24 x 1-3/8")	1	1
7	A	8881048851	Tube, Elevating Support (Color) - Right	1	1
7	A	8881048852	Tube, Elevating Support (Color) - Left	1	1
8		1027097	Plug Button, Black (3/4")	1	1
9	A	8881058664	Tube, Legrest Support (Color) - Right	1	1
9	A	8881058665	Tube, Legrest Support (Color) - Left	1	1
10		1022874	Bumper	1	1
11		1030979	Screw, Phillips Pan Head Tap (#10-32 x 3/4")	1	1
	A,B	8881058646	Legrest Support Assembly w/o Pad, Adult, Color - Right	1	1
	A,B	8881058647	Legrest Support Assembly w/o Pad, Adult, Color - Left	1	1

NOTE: A - Specify frame color when ordering. See page titled "Frame Finishes and Touch-Up Paints".  
B - Not Shown

# PAL4A Articulating Legrest (Pin Style) Chrome 14"-24" Wide Chairs

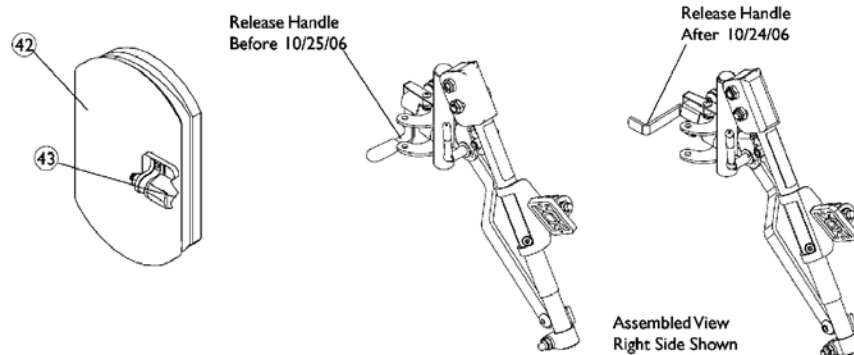
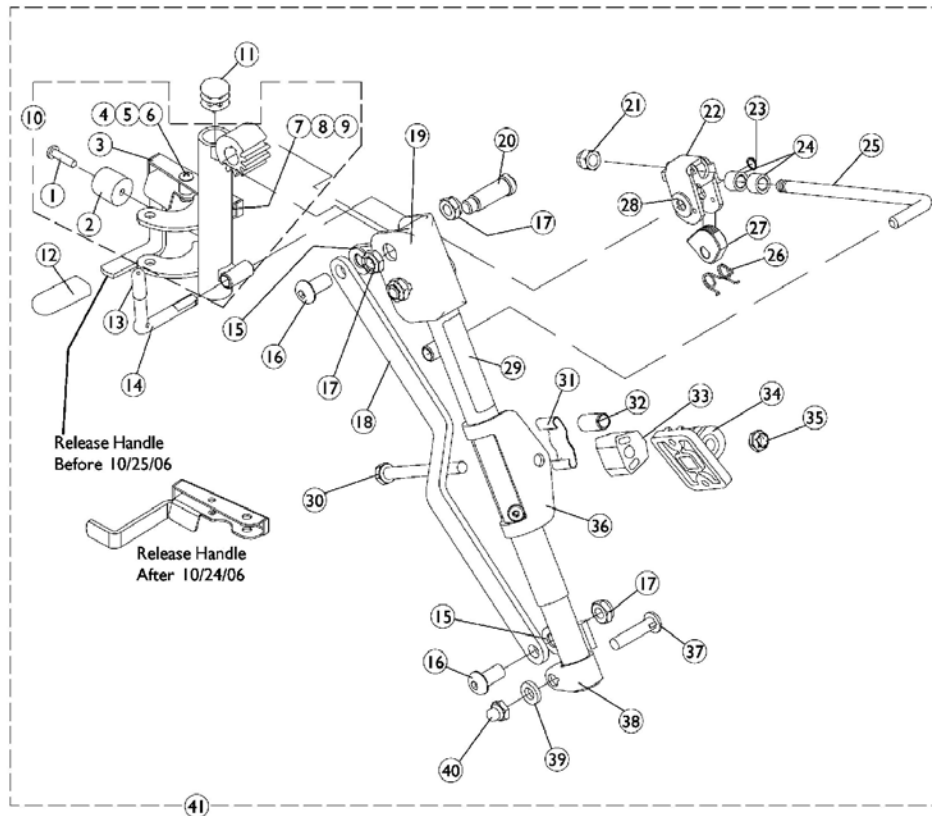


Item Number	Note	Part Number	Description	Quantity Per	
				Package	Assembly
1		1058478	Tube, Legrest Support, Right	1	1
1		1058479	Tube, Legrest Support, Left	1	1
2		1027097	Plug Button, Black (3/4")	1	1
3		40363X000	Hex Nut (3/8"-16)	1	3
4		1022854	Screw, Slotted Head Shoulder (1/2 x 1-1/8")	1	1
5		1022877	Tube Support and Drive Link - Right	1	1
5		1022878	Tube Support and Drive Link - Left	1	1
6		1022848	Slide Tube, Articulating (Chrome) - Right	1	1
6		1022849	Slide Tube, Articulating (Chrome) - Left	1	1
7		1027377	Washer (#20)	1	1
8		7930363	Package, Locknut (5/16"-24)	25	1
9		11232X009	Screw, Lug (5/16-24 x 1-3/8")	1	1
10		1022866	Screw, Socket Button Head (3/8-16 x 3/4")	1	2
11		1049527	Washer, Nylon (3/8 x 3/4 x 1/16")	1	2
12		1022846	Bar, Link, Chrome	1	1
	A	1058482	Legrest Support Assembly, Articulating, Adult, Chrome - Left	1	1
	A	1058483	Legrest Support Assembly, Articulating, Adult, Chrome - Left	1	1

NOTE: A - Not Shown



# PHAL4A (Hemi) Articulating Legrest Supports Chrome



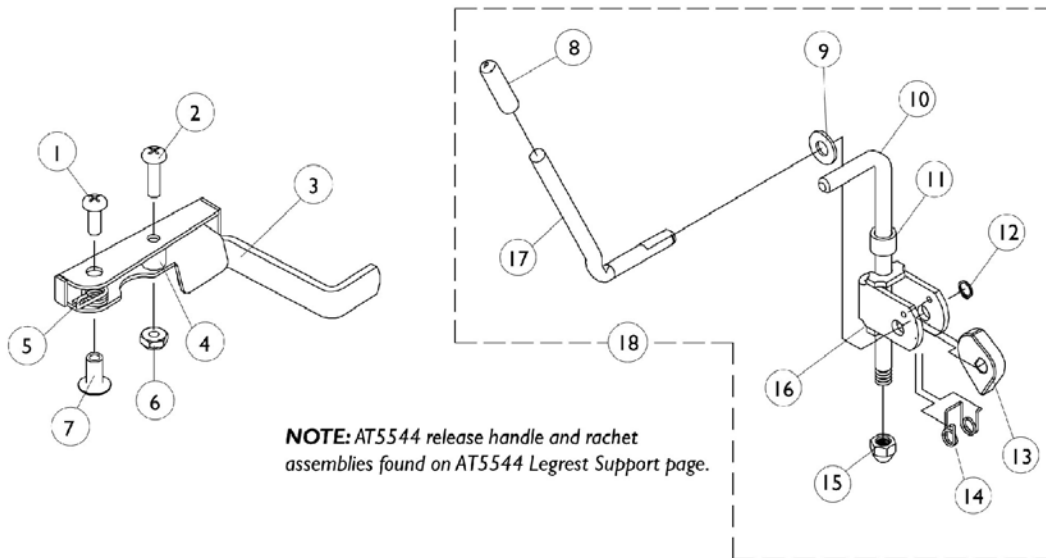
## PHAL4A (Hemi) Articulating Legrest Supports Chrome

Item Number	Note	Part Number	Description	Quantity Per	
				Package	Assembly
1		1030979	Screw, Phillips Pan Head Tap (#10-32 x 3/4")	1	1
2		1022874	Bumper	1	1
3	D	1023428	Handle, Release, Chrome - Right	1	1
3	D	1023431	Handle, Release, Chrome - Left	1	1
4		47565X057	Bushing (7/32 x 3/8 x 11/32")	1	1
5		60279X003	Locknut (#10-32)	1	1
6		40163X008	Screw, Phillips Pan Head (#10-32 x 11/16")	1	1
7		1008935	Spring, Release - Right	1	1
7		1008936	Spring, Release - Left	1	1
8		67005X000	Rivnut (#10-32)	1	1
9		40163X002	Screw, Phillips Round Head (#10-32 x 1/2")	1	1
10	C,C1	1023092	Legrest Support Tube Assembly, Hemi, Chrome - Right	1	1
10	C,C1	1023093	Legrest Support Tube Assembly, Hemi, Chrome - Left	1	1
11		1027097	Plug Button, Black (3/4")	1	1
12		1006490	Tip, Plastic, Black	1	1
13		1040060	Tip, Black Plastic	1	1
14		1037126	Handle, Release	1	1
15		1049527	Washer, Nylon (3/8 x 3/4 x 1/16")	1	2
16		1022866	Screw, Socket Button Head (3/8-16 x 3/4")	1	2
17		40363X000	Hex Nut (3/8"-16)	1	3
18		1022846	Bar, Link, Chrome	1	1
19		1022877	Tube Support and Drive Link - Right	1	1
19		1022878	Tube Support and Drive Link - Left	1	1
20		1022854	Screw, Slotted Head Shoulder (1/2 x 1-1/8")	1	1
21		10261X000	Acorn Nut (5/16"-24)	1	1
22		04528X002	Bracket, Release (Chrome)	1	1
23		1040831	Snap Ring	1	1
24		47328X003	Bushing, Pivot (5/16 x 7/16 x 7/8")	1	1
25		42326X004	Bar, Ratchet - Right/Left	1	1
26		1037485	Spring, Release	1	1
27		1037125	Cam, Legrest	1	1
28		1013519	Washer, Nylon (5/16 x 11/16 x 1/16")	1	1
29		1024911	Decal, Smartleg	1	1
30		1014807	Screw, Hex Head (5/16-24 x 3-1/4")	1	1
31		48823X008	Spring, Leaf	1	1
32		47328X003	Bushing, Pivot (5/16 x 7/16 x 7/8")	1	1
33		1025133	Spacer, Legrest Pad	1	1
34		04526X019	Plate, Legrest Pad	1	1
35		60264X001	Locknut (5/16-24)	1	1
36		1025104	Bracket, Legrest, Chrome	1	1
37		11232X009	Screw, Lug (5/16-24 x 1-3/8")	1	1
38		1022848	Slide Tube, Articulating (Chrome) - Right	1	1

## PHAL4A (Hemi) Articulating Legrest Supports Chrome

Item Number	Note	Part Number	Description	Quantity Per	
				Package	Assembly
38		1022849	Slide Tube, Articulating (Chrome) - Left	1	1
39		1027377	Washer (#20)	1	1
40		1107321	Nut, Low Cap (5/16"-24)	1	1
41	C,C1,B	1031437	Legrest Support Assembly, Articulating, Hemi, Chrome - Right	1	1
41	C,C1,B	1031438	Legrest Support Assembly, Articulating, Hemi, Chrome - Left	1	1
42	A	8881091764	Pad, Legrest Vinyl - Right/Left	1	1
43		1068649	Screws, Phillips Head (#10-32 x 11/16")	2	1
NOTE: A - Specify upholstery color U67 black when ordering. B - Includes items 1-40 C - Release Handle revised 10/25/06. When a complete Legrest Assembly item #41 or a Legrest Support Tube Assembly item #10 is ordered for chairs manufactured before 10/25/06, order the opposite side "Release Handle" item #3 to match. C1 - Both Release Handles pictured to identify the difference. Release Handle after 10/24/06 does not require a rubber tip D - Release Handle revised 10/25/06. For chairs manufactured before 10/25/06, order in pairs to match.					

# Legrest Release Handles and Ratchets

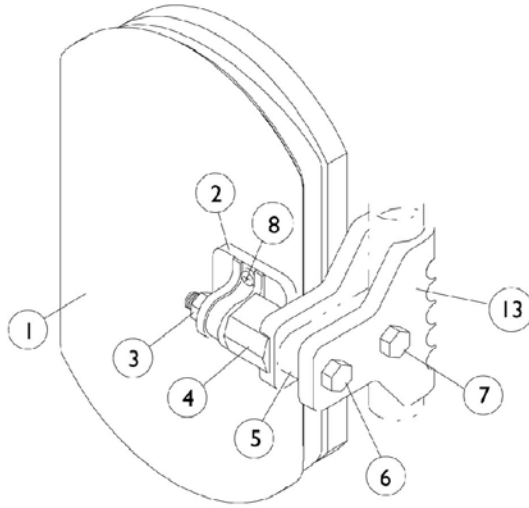


Item Number	Note	Part Number	Description	Quantity Per	
				Package	Assembly
1		7930328	Screw, Phillips Pan Head (#10-32 x 11/16")	25	1
2		7930335	Screw, Phillips Pan Head (#10-32 x 1/2")	25	1
3		1035539	Handle, Release (Black) - Right	1	1
3		1035540	Handle, Release (Black) - Left	1	1
4		47565X057	Bushing (7/32 x 3/8 x 11/32")	1	1
5		1028707	Spring, Release - Right	1	1
5		1028708	Spring, Release - Left	1	1
6		7930332	Locknut, High Profile (#10-32)	25	1
7		1028846	Rivnut (#10-32)	25	1
8		1040060	Tip, Black Plastic	1	1
9		7930310	Washer, Nylon (5/16 x 11/16 x 1/16")	1	1
10	C	42326X004	Bar, Ratchet - Right/Left	1	1
10	D	1023811	Bar, Ratchet - Right	1	1
10	D	1023812	Bar, Ratchet - Left	1	1
11		47328X003	Bushing, Pivot (5/16 x 7/16 x 7/8")	1	1
12		1040831	Snap Ring	1	1
13		1037125	Cam, Legrest	1	1
14		1037485	Spring, Release	1	1
15		7930336	Nut, Acorn (5/16-24)	25	1
16		04528X002	Bracket, Release (Chrome)	1	1
17		1037126	Handle, Release	1	1
18	A	1046329	Kit, Elevating Legrest Ratchet Hardware	2	1
18	B	1046331	Kit, Articulating Legrest Ratchet Hardware	2	1

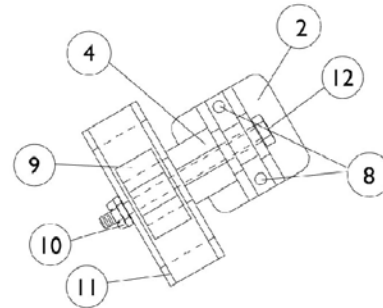
NOTE: A - P904A Legrest  
 B - PAS4A and PAL4A Legrest  
 C - P904A Legrest  
 D - Articulating

# Calf Pads and Attaching Hardware

NOTE: For replacement calf pads for Power Articulating Legrest, see Power Articulating Legrest page.



**P904A, AT5544 Legrest.**

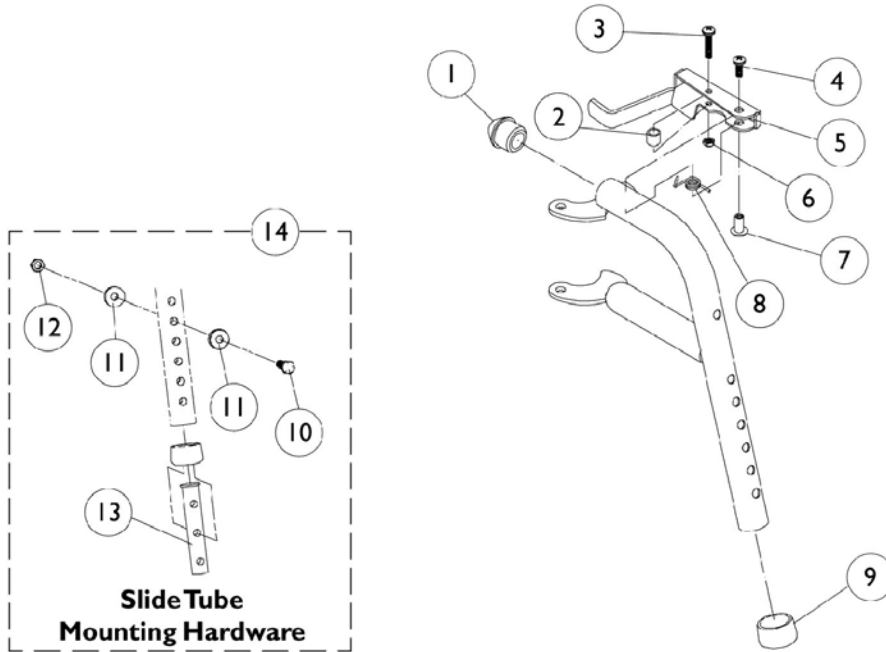


**PAS4A, PAL4A Legrest**

Item Number	Note	Part Number	Description	Quantity Per	
				Package	Assembly
1	A	8881091759	Pad w/Cover and Screws, Legrest Vinyl (Pair)	2	1
1	A	8881091764	Pad, Legrest Vinyl - Right/Left	1	1
1	A,B	88804529X003	Pad, Legrest Vinyl - Right	1	1
1	A,B	88804529X004	Pad, Legrest Vinyl - Left	1	1
2		04526X019	Plate, Legrest Pad	1	1
3		7930330	Locknut (5/16-24)	25	1
4		1025133	Spacer, Legrest Pad	1	1
5		1032267	Spacer, Legrest Pad Mounting	1	1
6		1037110	Screw, Hex Head (5/16-24 x 3-1/2")	1	1
7		1028514	Screw, Hex Head (5/16-24 x 1-1/2")	1	1
8		1066591	Screws, Phillips Head (#10-32 x 11/16")	2	1
9		48823X008	Spring, Leaf	1	1
10		7930363	Package, Locknut (5/16"-24)	25	2
11		1025104	Bracket, Legrest, Chrome	1	1
12		1014807	Screw, Hex Head (5/16-24 x 3-1/4")	1	1
13		1032266	Bracket, Legrest Pad Mounting, Black	1	1

NOTE: A - Specify upholstery color. See page titled "Frame Finishes, Touch-Up Paints and Upholstery Options".  
 B - 14"-15" Wide Chairs

# PW93 Footrest Supports (Pin Style) Color

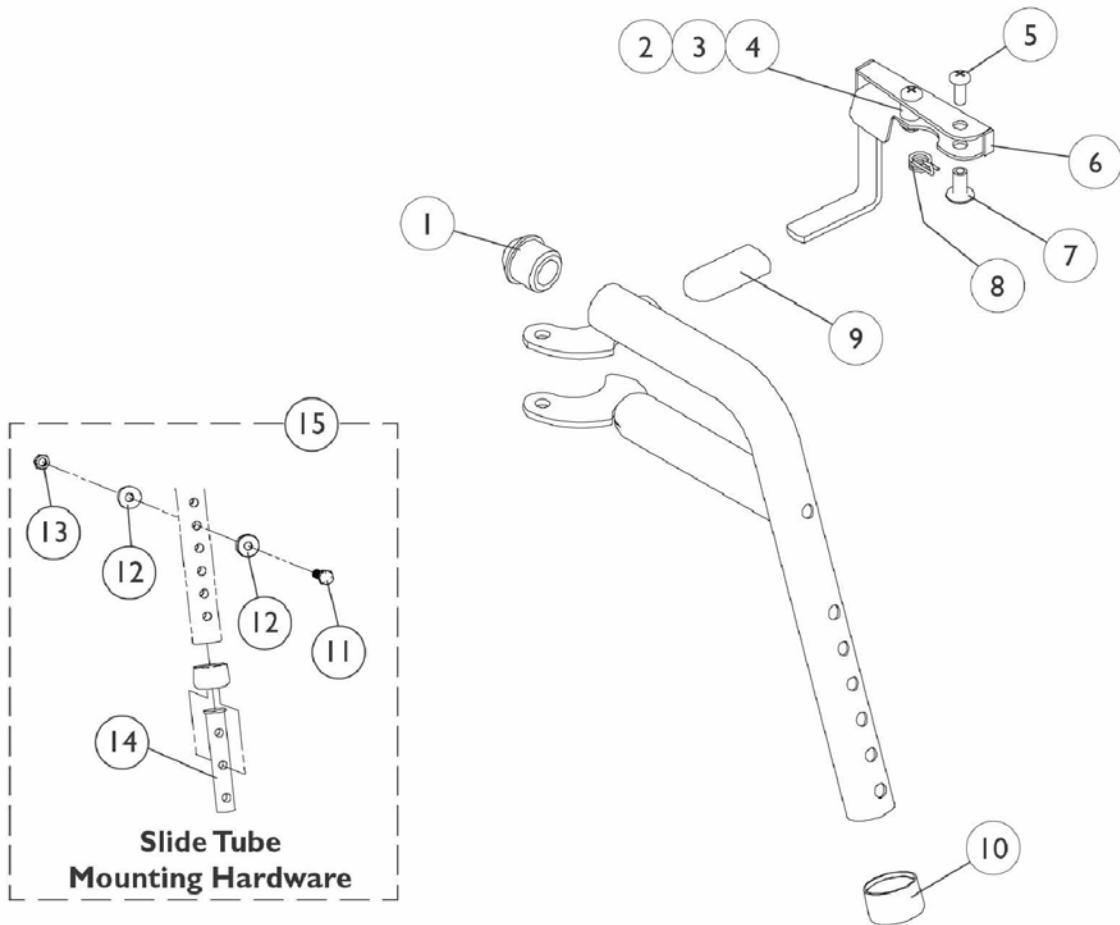


Item Number	Note	Part Number	Description	Quantity Per	
				Package	Assembly
1		1020719	Anti-Rattle, Black	1	1
2		47565X057	Bushing (7/32 x 3/8 x 11/32")	1	1
3		7930328	Screw, Phillips Pan Head (#10-32 x 11/16")	25	1
4		7930335	Screw, Phillips Pan Head (#10-32 x 1/2")	25	1
5		1035539	Handle, Release (Black) - Right	1	1
5		1035540	Handle, Release (Black) - Left	1	1
6		7930332	Locknut, High Profile (#10-32)	25	1
7		1028846	Rivnut (#10-32)	1	1
8		1028707	Spring, Release - Right	1	1
8		1028708	Spring, Release - Left	1	1
9		15680X012	Collar, Anti-Rattle (7/8")	1	1
10		1070759	Screw, Hex Head (1/4-20 x 1-1/2")	1	1
11		1026099	Spacer, Coved (1/4 x 11/16 x 1/2")	1	2
12		7930338	Nut, Acorn (1/4-20)	25	1
13		1020534	Insert, Threaded	1	1
14		1074143	Kit, Slide Tube Mounting Hardware	1	1
	A,B	8881070776	Footrest Support Assembly, Adult, Color - Right	1	1
	A,B	8881070777	Footrest Support Assembly, Adult, Color - Left	1	1

NOTE: A - Specify frame color when ordering. See page titled "Frame Finishes, Touch-Up Paints and Upholstery Options".  
B - Not Shown.

# PHW93 (Hemi) Footrest Supports

Color (Pin Style)



## PHW93 (Hemi) Footrest Supports Color (Pin Style)

Item Number	Note	Part Number	Description	Quantity Per	
				Package	Assembly
1		1020719	Anti-Rattle, Black	1	1
2		1025716	Screw, Phillips Pan Head (#10-32 x 11/16")	1	1
3		47565X057	Bushing (7/32 x 3/8 x 11/32")	1	1
4		1025735	Locknut (#10-32)	1	1
5		1026114	Screw, Phillips Pan Head (#10-32 x 1/2")	1	1
6	A	1114749	Release Handle (Black) - Right	1	1
6	A	1114750	Release Handle (Black) - Left	1	1
7		1028846	Rivnut (#10-32)	1	1
8		1028707	Spring, Release - Right	1	1
8		1028708	Spring, Release - Left	1	1
9		1006490	Tip, Plastic, Black	1	1
10		15680X012	Collar, Anti-Rattle (7/8")	1	1
11		1070759	Screw, Hex Head (1/4-20 x 1-1/2")	1	1
12		1026099	Spacer, Coved (1/4 x 11/16 x 1/2")	1	2
13		1044214	Nut, Hex with Nylon Cap (1/4-20)	1	1
14		1020534	Insert, Threaded	1	1
15		1074143	Kit, Slide Tube Mounting Hardware	1	1
	B	8881126089	Footrest Support Assembly, Hemi, Color - Right	1	1
	B	8881126090	Footrest Support Assembly, Hemi, Color - Left	1	1

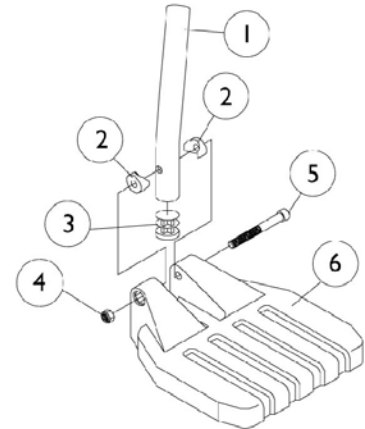
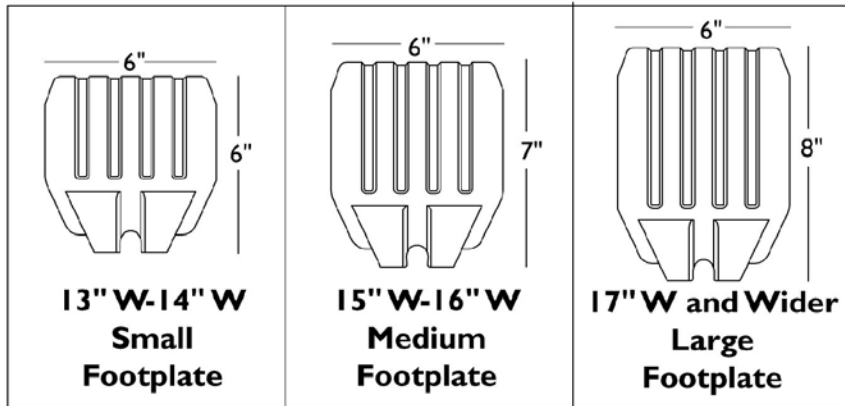
NOTE: A - Includes items 2-4  
B - Specify frame color when ordering, see page titled "Frame Finishes and Touch-Up Paints".



# Pivot/Slide Tube and 1651 Composite Footplates

NOTE: Heel Loops are not included. See footrest and legrest accessories.

NOTE: For complete pivot/slide tube and footplate assemblies, see front riggings reference charts

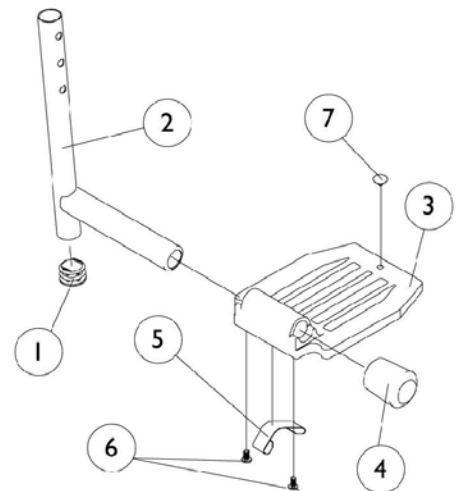
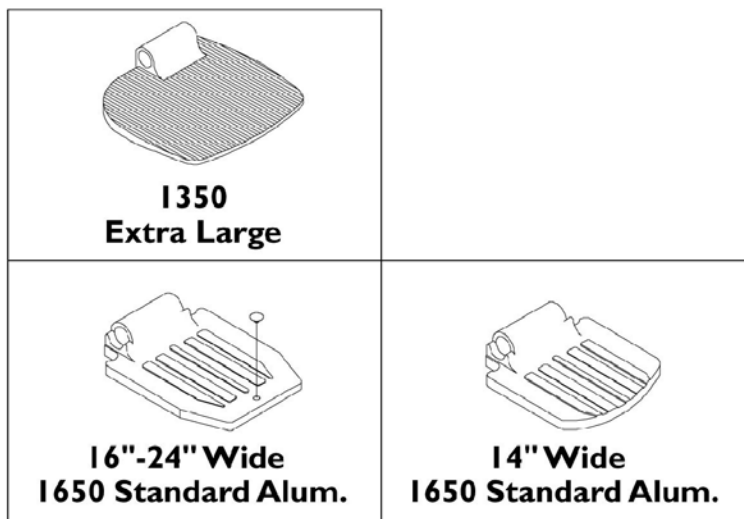


Item Number	Note	Part Number	Description	Quantity Per	
				Package	Assembly
1		1057852	Pivot/Slide Tube, Curved End (9-7/8") (Steel)	1	1
1		1057854	Pivot/Slide Tube, Curved End 2" Longer (Steel)	1	1
1		1058418	Pivot/Slide Tube, Curved End 4" Longer (Steel)	1	1
2		1025457	Spacer, Coved (1/4 x 3/4 x 11/32")	1	2
3		1027097	Plug Button, Black (3/4")	1	1
4		7930323	Package, Locknut (1/4-20)	25	1
5		7930366	Screw, Socket Head Cap (1/4-20 x 2-1/4")	25	1
6	A	1026879	Footplate, Composite - Small (6" W x 6" L)	1	1
6	B	1026880	Footplate, Composite - Medium (7" W x 6" L)	1	1
6	C	1026881	Footplate, Composite - Large (8" W x 6" L)	1	1
6	D	1026879	Footplate, Composite - Small (6" W x 6" L)	1	1
6	E	1026880	Footplate, Composite - Medium (7" W x 6" L)	1	1
6	F	1026881	Footplate, Composite - Large (8" W x 6" L)	1	1
NOTE: A - 13"-14" Wide B - 15"-16" Wide C - 17" and Wider D - 15"-17" Wide E - 18"-19" Wide F - 20" and Wider					

# Pivot/Slide Tube and 1650 and 1350 Aluminum Footplates

**NOTE:** Heel Loops are not included. See footrest and legrest accessories

**NOTE:** For complete pivot/slide tube and footplate assemblies, see front riggings reference charts.



# Pivot/Slide Tube and 1650 and 1350 Aluminum Footplates

**NOTE: Heel Loops are not included. See footrest and legrest accessories**

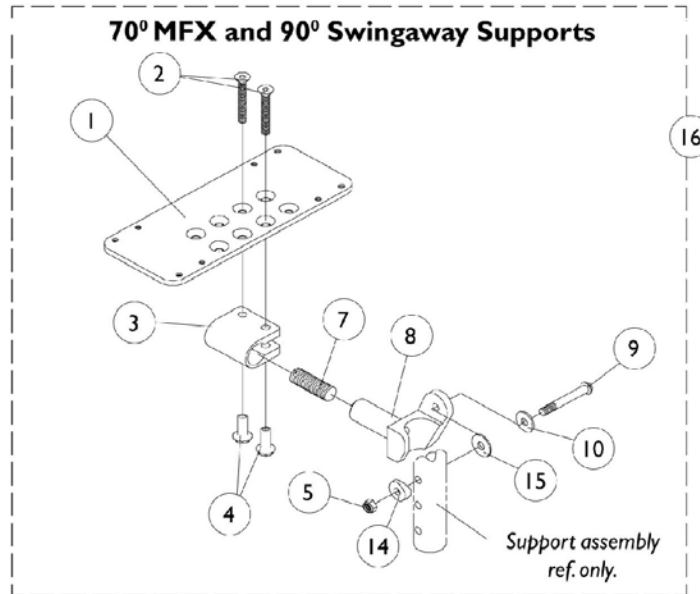
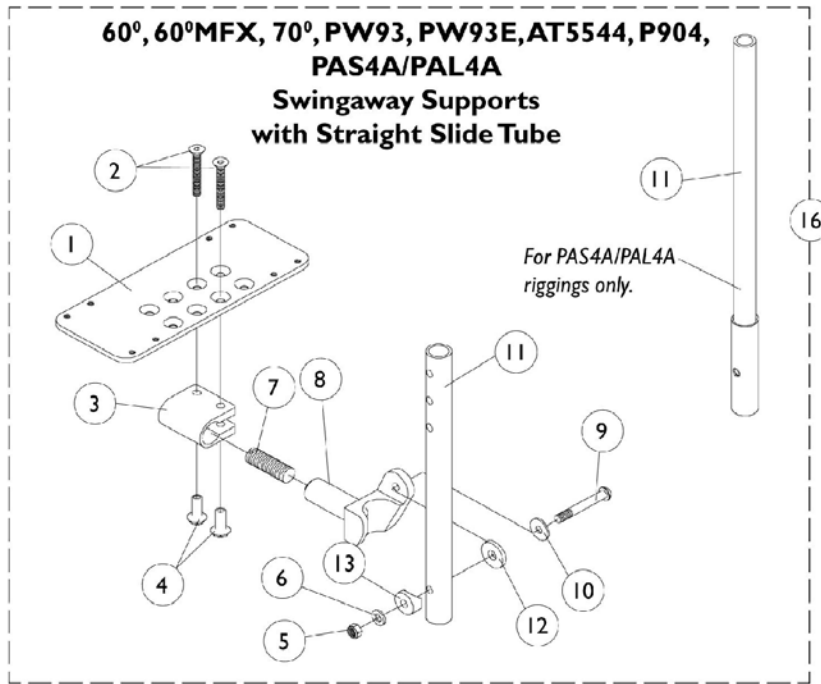
**NOTE: For complete pivot/slide tube and footplate assemblies, see front riggings reference charts.**

Item Number	Note	Part Number	Description	Quantity Per	
				Package	Assembly
1		1027097	Plug Button, Black (3/4")	1	1
2	A	1048834	Pivot/Slide Tube with Plug Button	1	1
2	A	1098906	Pivot/Slide Tube with Plug Button - 2" Longer	1	1
2	A	1086482	Pivot/Slide Tube with Plug Button - 4" Longer	1	1
2	B	1041526	Pivot/Slide Tube with Plug Button (Steel)	1	1
2	C	1100568	Pivot/Slide Tube with Plug Button (Black)	1	1
2	C	1100569	Pivot/Slide Tube with Plug Button Extra Large and Standard Aluminium - 2" Longer	1	1
2	C	1100570	Pivot/Slide Tube with Plug Button - 4" Longer	1	1
2	D	1041526	Pivot/Slide Tube with Plug Button (Steel)	1	1
3		44200X059	Footplate, Aluminum - Small (6-3/4" W x 6" L)	1	1
3		44200X027	Footplate, Aluminum - Medium (7-3/4" W x 6" L)	1	1
3		44200X025	Footplate, Aluminum - Extra Large (8" W x 8-1/2" L) - Right	1	1
3		44200X026	Footplate, Aluminum - Extra Large (8" W x 8-1/2" L) - Left	1	1
4	E	1016346	Cap, Tube End (7/8")	1	1
4	F	1027095	Plug Button, Black (7/8")	1	1
5	E	1006981	Spring, Leaf	1	2
5	F	1036123	Spring, Leaf	1	1
6		7930354	Package, Phillips Head Screw (#8-32 x 3/8")	25	1
7		1070168	Push Plug, Footplate	1	1
<p>NOTE: A - Extra Large footplate for 60MFX, AT5544, 60, 70, PW93, PW93E            B - Extra Large footplate for PAL4A            C - Extra Large and Standard Aluminum footplate for P904            D - Standard Aluminum footplate for PAL4            E - For Standard Aluminum footplate            F - For Extra Large footplate</p>					

# AT5543 Adjustable Angle Footplates

60deg, 60deg MFX, 70deg, 70deg MFX, PW93, PW93E, 90DEG, AT5544,  
P904, PAS4A/PAL4A Swingaway Supports

NOTE: Heel loops are not included. See footrest and legrest accessories.



## AT5543 Adjustable Angle Footplates

### 60deg, 60deg MFX, 70deg, 70deg MFX, PW93, PW93E, 90DEG, AT5544, P904, PAS4A/PAL4A Swingaway Supports

NOTE: Heel loops are not included. See footrest and legrest accessories.

Item Number	Note	Part Number	Description	Quantity Per	
				Package	Assembly
1	B	1060426	Footplate, Adjustable Angle - Medium (4-1/4" W x 8" L)	1	1
1	C	1060427	Footplate, Adjustable Angle - Large (5-1/4" W x 8" L)	1	1
1	D	1062569	Footplate, Adjustable Angle - X-Large (6-1/4" W x 8" L)	1	1
2		1029545	Screw, Socket Head Cap (1/4-20 x 3/4")	1	2
3		1058517	Clamp, Footplate	1	1
4		1082686	Nut, Hex Head (1/4-20 x 11/16")	1	2
5		7930333	Locknut (1/4-20)	25	1
6		1026907	Washer (1/4 x 1/2 x 1/16")	1	1
7		1048816	Screw, Nylon Adjustment (1/2-13 x 7/8")	1	1
8		1052102	Hinge, Footplate - Right	1	1
8		1052103	Hinge, Footplate - Left	1	1
9		7930321	Screw, Socket Button Head (1/4-20 x 1-7/8")	25	1
10		1026900	Washer (1/4 x 23/32 x 1/16")	1	1
11		1057855	Pivot/Slide Tube, Straight (9-7/8" Long - Steel)	1	1
11		1057856	Pivot/Slide Tube, Straight (11-7/8" Long - Steel)	1	1
11	A	1091745	Pivot/Slide Tube, Straight (13-7/8" Long - Steel)	1	1
12		7930313	Washer, Nylon (5/16 x 7/8 x 1/8")	25	1
13		1025457	Spacer, Coved (1/4 x 3/4 x 11/32")	1	1
14		1026099	Spacer, Coved (1/4 x 11/16 x 1/2")	1	1
15		1036435	Washer, Nylon (1/4 x 7/8 x 1/32")	1	1
16		See Chart	See Footnote	1	1

NOTE: A - For PAS4A/PAL4A only  
 B - For 12-13" wide chairs  
 C - For 14-15" wide chairs  
 D - For 16" and wider chairs

## AT5543 Adjustable Angle Footplates

**60deg, 60deg MFX, 70deg, 70deg MFX, PW93, PW93E, 90DEG, AT5544, P904, PAS4A/PAL4A Swingaway Supports**

NOTE: Heel loops are not included. See footrest and legrest accessories.

### Item #16 Pivot/ Slide Tube with Footplate Assemblies

Rigging Type	Side	12-13" W Medium Footplate	14-15" W Large Footplate	16" and Wider X- Large Footplate
90 and 70MFX	Right	1060436	1060438	1062570
	Left	1060437	1060439	1062571
60, 60MFX, 70, PW93, PW93E, AT5544, P904	Right	1060442	1060444	1062756
	Left	1060443	1060445	1062757
60, 60MFX, 70, PW93, PW93E, AT5544, P904 2" Longer Slide Tube	Right	N/A	1062758	1062760
	Left	N/A	1062759	1062761
PAS4A and PAL4A	Right	N/A	1091775	1091777
	Left	N/A	1091776	1091778

## Footrest and Legrest Accessories

**NOTE: Heel loop replacements for Power Articulating Legrest can be found on the Power Articulating Legrest page.**

Footplate Type	Chair Width	Heel Loop Single #	Heel Loop Pair #	Heel Loop w/ Ankle Strap Single # Rt.	Heel Loop w/ Ankle Strap Single # Lt.	Heel Loop w/ Ankle Strap Pair #	Attaching Hardware Pair #
Composite Small (1651)	12-14" W or 15-17" W Tapered	1028412	1035912	1035908	1035909	1035906	1035931
Composite Medium (1651)	15-16" W or 18-19" W Tapered	1017621	1035917	1035919	1035920	1035918	1035931
Composite Large (1651)	17-24" W or 20-24" W Tapered	1017621	1035917	1035932	1035933	1035930	1035931
Standard Aluminum (1650)	14-15" W	1025234	1035905	1035908	1035909	1035906	1035907
Standard Aluminum (1650)	16-24" W	1017621	1035917	1035919	1035920	1035918	1035907
X-Large Aluminum (1350)	16-24" W	1017621	1035917	1035919	1035920	1035918	1055241

## Footrest and Legrest Accessories

**NOTE: Heel loop replacements for Power Articulating Legrest can be found on the Power Articulating Legrest page.**

### Attaching Hardware Part Numbers (Less AT5043 and AT5543)

Footplate Type	Part Number	Part Number Consists of
Composite (1651)	1035931	2 each Screw, PPH (1/4-20 x 2-1/4") 2 each Spacer (1/4 x 11/32 x 1-3/4") 2 each Locknut (1/4-20)
Standard Aluminum (1650)	1035907	2 each Screw, PPH (1/4-20 x 2-1/2") 2 each Spacer (1/4 x 11/32 x 1-3/4") 2 each Locknut (1/4-20)
X-Large Aluminum (1350)	1055241	2 each Screw, PPH (1/4-20 x 2-1/4") 2 each Spacer (1/4 x 11/32 x 1-3/4") 2 each Locknut (1/4-20)

### Heel Loops/Heel Loops w/ Ankle Straps & Hardware (For AT5043 and AT5543)

Footplate Type	Part Number	Part Number Consists of
AT5043 Flip-Up and AT5543 Adj. Angle	1038245 Heel Loops w/ Hardware Adjustable Angle Footplate (Pair)	2 each Heel Loops 4 each Screw, SHC (10-32 x 1-1/2") 4 each Spacer (1/4 x 5/16 x 1-3/32") 4 each Washer (3/16 x 7/16 x 1/16")
AT5043 Flip-Up and AT5543 Adj. Angle	1038246 Heel Loops w/ Ankle Straps & Hardware Adjustable Angle Footplate (Pair)	2 each Heel Loops w/ Ankle Straps 4 each Screw, SHC (10-32 x 1-1/2") 4 each Spacer (1/4 x 5/16 x 1-3/32") 4 each Washer (3/16 x 7/16 x 1/16")



# Footrest and Legrest Accessories

**NOTE: Heel loop replacements for Power Articulating Legrest can be found on the Power Articulating Legrest page.**

## Toe Loops (1345) and Attaching Hardware

Footplate Type	Toe Loop w/o Hardware Single #	Toe Loop w/o Hardware Pair #	Attaching Hardware Part Number	Attaching Hardware Consists of
1651, 1650, 1350, Footplates	04572X025	1037087	1037089	4 each Screw, PPH (10-32 x 7/8") 4 each Washer (1/4 x 3/4 x 3/32") 4 each Locknut (10-32)
AT5043 and AT5543 Footplates	04572X025	1037087	1104749	4 each Screw, PPH (10-32 x 1/2") 4 each Washer (1/4 x 3/4 x 3/32")

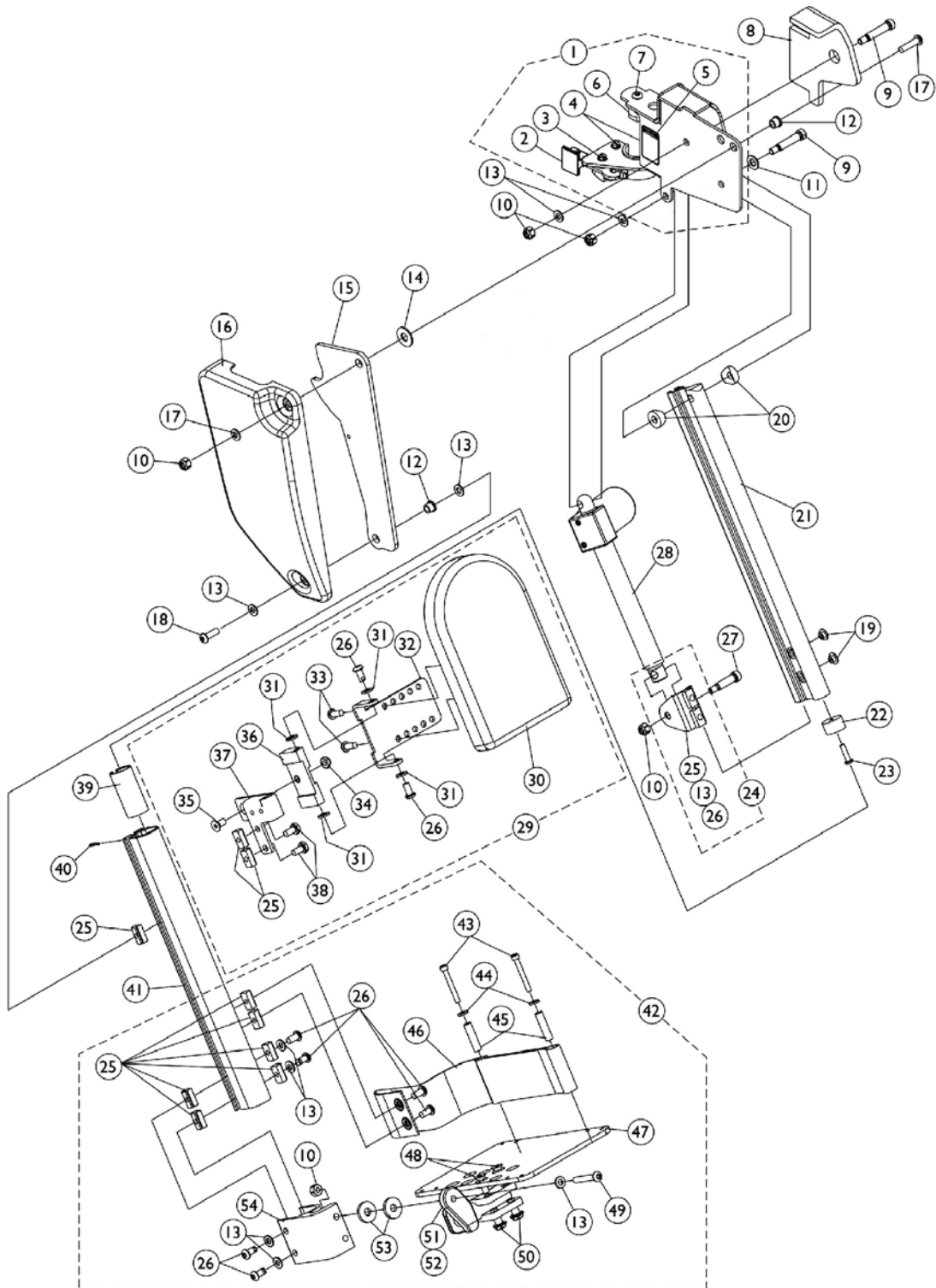
## Footrest and Legrest Accessories

**NOTE: Heel loop replacements for Power Articulating Legrest can be found on the Power Articulating Legrest page.**

Item Number	Note	Part Number	Description	Quantity Per	
				Package	Assembly
	A	1032243	Calf Strap w/ Hook and Loop (36" Long)	1	1
	C,A	1032214	H-Strap, 24" Long	1	1
	D,A	1032215	H-Strap, 26" Long	1	1
	E,A	1032216	H-Strap, 31" Long	1	1
	A,B	8881038231	Kit, 3" Extension w/ Hardware (Pair)	2	1
	A	1026987	Impact Guard, 8" Long	1	2
	A	See Chart	See Footnote	1	1
	A	See Chart	See Footnote	1	1
	A	See Chart	See Footnote	1	1
	A	See Chart	See Footnote	1	1

NOTE: A - Not Shown  
 B - Specify frame color when ordering. See page titled "Frame Finishes and Touch-Up Paints".  
 C - 12-14" wide seats  
 D - 15-16" wide seats  
 E - 17" and wider seats

# Power Articulating Legrest



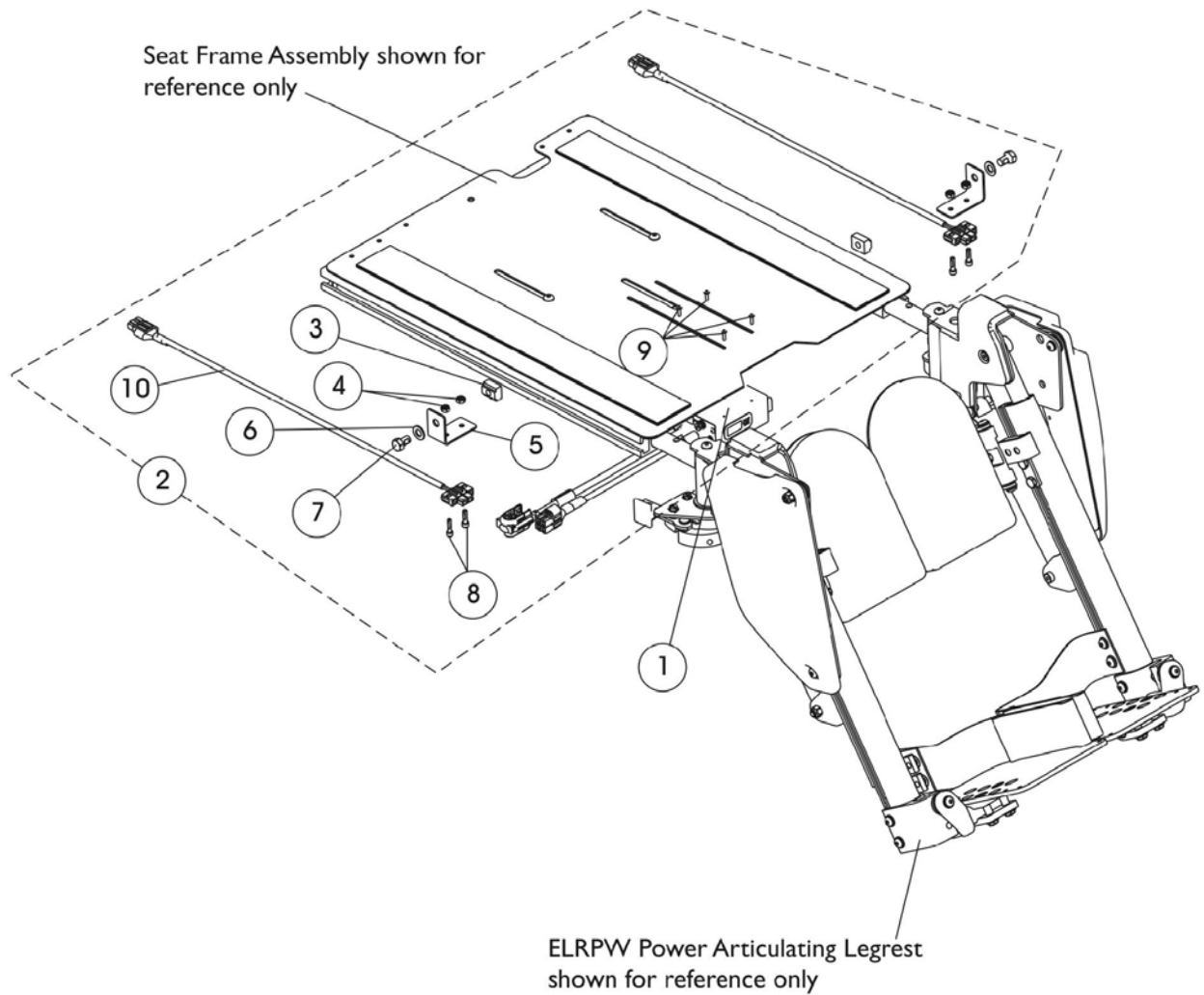
## Power Articulating Legrest

Item Number	Note	Part Number	Description	Quantity Per	
				Package	Assembly
1	A	1125436	Legrest Support Assembly, Sector, Black - Right	1	1
1	A	1125437	Legrest Support Assembly, Sector, Black - Left	1	1
2		1025454	Latch Housing - Right	1	1
2		1025455	Latch Housing - Left	1	1
3		1017423	Screw, Slotted Hex Washer Head (#10-32 x 1/2")	1	1
4		1025451	Screw, Slotted Hex Washer Head (#10-32 x 5/8")	1	2
5		1079203	Decal, Warning Pinch Point	1	1
6		1099685	Plug, Pivot	1	1
7		1091870	Screw, Socket Button Head w/ Patch (1/4-20 x 3/4")	1	1
8		1125433	Cushion Pad - Right	1	1
8		1125434	Cushion Pad - Left	1	1
9		1025351	Screw, Socket Head Shoulder (5/16 x 1-1/4")	1	2
10		1025736	Locknut (1/4-20)	1	5
11		1025704	Washer, Flat (5/16 x 5/8 x 1/16")	1	1
12		1099671	Bearing, Flange (1/4 x 5/16" Long)	1	2
13		1026907	Washer (1/4 x 1/2 x 1/16")	1	12
14		1012371	Washer, Nylon (3/8 x 7/8 x 1/16")	1	1
15		1125424	Plate, Pivot	1	1
16		1110746	Cover, Legrest Support - Right	1	1
16		1110747	Cover, Legrest Support - Left	1	1
17		1009837	Screw, Socket Button Head (1/4-20 x 1")	1	1
18		1091870	Screw, Socket Button Head w/ Patch (1/4-20 x 3/4")	1	1
19		1101883	Glide	1	2
20		0175600	Spacer, Coved (5/16 x 3/4 x 3/8")	1	2
21		1110741	Extrusion, Internal Slide (14-1/4" Long)	1	1
22		1099702	Glide, Internal	1	1
23		1018846	Screw, Socket Button Head (#10-24 x 3/4")	1	1
24	B	1110972	Actuator Bracket Assembly	1	1
25		1082699	T-Nut (1/4-20)	1	11
26		1100023	Screw, Button Head w/Patch (1/4-20 x 1/2")	1	10
27		1087417	Screw, Socket Head Shoulder (5/16 x 1")	1	1
28		1110724	Motor, Actuator - Right	1	1
28		1110725	Motor, Actuator - Left	1	1
29	C	8881110977	Calf Pad Assembly with Mounting Hardware - Right	1	1
29	C	8881111715	Calf Pad Assembly with Mounting Hardware - Left	1	1
30		88804529X003	Pad, Legrest Vinyl - Right	1	1
30		88804529X004	Pad, Legrest Vinyl - Left	1	1
	D,F	1110748	Hardware, Calf Pad Bracket	1	1
31		1026033	Washer, Nylon (1/4 x 1/2 x 1/16")	1	4
32		1099700	Bracket, Calf Pad Mounting, Black	1	1
33		1026114	Screw, Phillips Pan Head (#10-32 x 1/2")	1	2
34		1025765	Locknut (1/4-28)	1	1
35		1074191	Screw, Socket Countersunk Head (1/4-28 x 1/2")	1	1

## Power Articulating Legrest

Item Number	Note	Part Number	Description	Quantity Per	
				Package	Assembly
36		1099690	Block, Calf Pad	1	1
37		1111716	Bracket, Calf Pad Mounting, Black - Right	1	1
37		1111717	Bracket, Calf Pad Mounting, Black - Left	1	1
38		1078214	Screw, Hex Head Cap w/ Patch (1/4-20 x 1/2")	1	2
39		1110742	Bushing, Sleeve	1	1
40		1079151	Pin, Roll (5/64 x 5/8")	1	1
41		1121026	Extrusion, External (12-1/2" Long) (ELRPW22 Before 7/22/04) and (ELRPW20 After 7/21/04)	1	1
42	E	1101114	Footplate Assembly - Right	1	1
42	E	1101115	Footplate Assembly - Left	1	1
43		1023965	Screw, Socket Head Cap (#10-32 x 1-1/2")	1	2
44		1028516	Washer (3/16 x 7/16 x 1/16")	1	2
45		1015629	Bushing	1	2
46		1101268	Heel Loop Assembly - Right	1	1
46		1101269	Heel Loop Assembly - Left	1	1
47		1060427	Footplate, Adjustable Angle - Large (5-1/4" W x 8" L)	1	1
48		1029545	Screw, Socket Head Cap (1/4-20 x 3/4")	1	2
49		1008495	Screw, Socket Button Head (1/4-20 x 1-1/2")	1	1
50		1082686	Nut, Hex Head (1/4-20 x 11/16")	1	2
51		1052102	Hinge, Footplate - Right	1	1
51		1052103	Hinge, Footplate - Left	1	1
52		1048816	Screw, Nylon Adjustment (1/2-13 x 7/8")	1	1
53		1016301	Washer, Nylon (5/16 x 7/8 x 1/8")	1	2
54		1099678	Extrusion, Footplate Adapter	1	1
55		1126091	Legrest Assembly, Power Articulating, Sector, Black (13"-20" Range) - Right	1	1
55		1126092	Legrest Assembly, Power Articulating, Sector, Black (13"-20" Range) - Left	1	1
NOTE: A - Includes items 2-7 B - Includes items 13, 25 and 26 C - Includes Items 25, 26 and 30-38 D - Includes Items 25, 26, 31-36, 38 E - Includes Items 10, 13, 25, 26 and 43-54 F - Not Shown					

# Power Articulating Legrest ELRPW Harness, Hdwr. and DLIAM (Dual Legs Integrated Actuator Module)



## Power Articulating Legrest ELRPW Harness, Hdwr. and DLIAM (Dual Legs Integrated Actuator Module)

Item Number	Note	Part Number	Description	Quantity Per	
				Package	Assembly
1	B	1140032	Module, Dual Legs Integrated Actuator (DLIAM) MK6i	1	1
2	A,B	1144585	Kit, ELRPW Power Articulating Legrest Harnesses and Mtg. Hdwr. For Formula CG	2	1
3			T-Nut (5/16-18)	1	2
4			Locknut (#8-32)	1	4
5			Bracket, Wire Harness	1	2
6			Washer, Flat (5/16 x 5/8 x 1/16")	1	2
7			Screw, Hex Head Cap w/ Patch (5/16-18 x 1/2")	1	2
8			Screw, Socket Head Cap (#8-32 x 5/8")	1	4
9			Screw, Phillips Pan Head (#4-40 x 3/8")	1	4
10			Harness, ELRPW Power Legrest - Right	1	1
10			Harness, ELRPW Power Legrest - Left	1	1

NOTE: A - Includes items 3-10  
 B - On 2/28/07 the Dual Leg Actuator Module (DLIAM) harness cable that plugs into item #10 RLRPW Power Legrest Harness Assembly was lengthened from approximately 3" to 20" long to eliminate the need for the ELRPW Power Legrest Harness Assemblies.

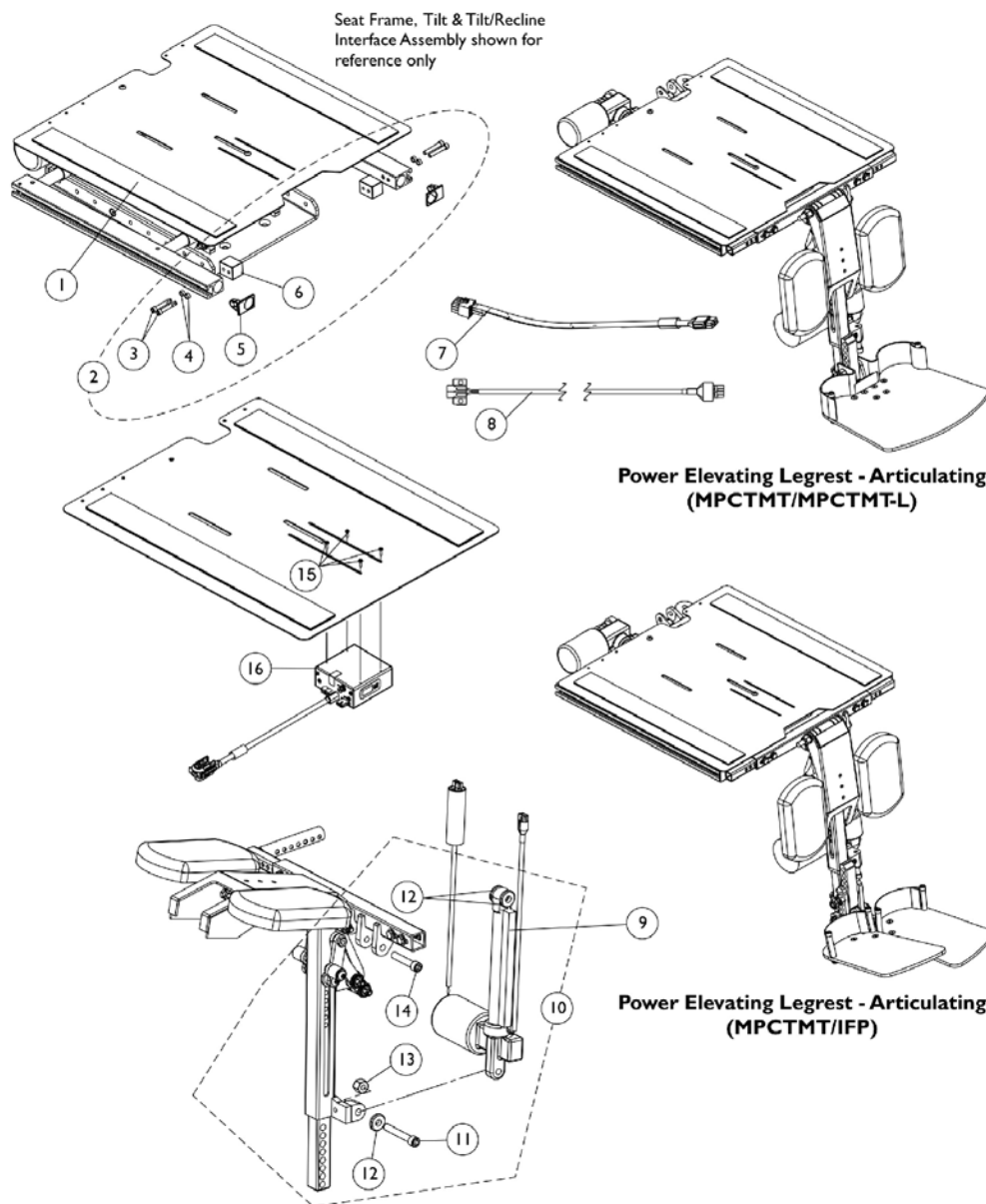
# Power Elevating Legrest - Articulating (MPCTMT/MPCTMT-L)

For TDX SP

**NOTE:** A complete set of Power Elevating Legrest-Articulating must be ordered thru Invacare's Equipment Configurator. The following items must be ordered separately when requesting a complete set of Power Elevating Legrest-Articulating for the first time:

- 1.) Frontal notched out seat pan for chairs manufactured before 3/5/07.
- 2.) For Contoura Seating Systems, shorter seat rail part #'s (1142951 15" long 2ea.) or (1142952 18" long 2 ea.) depending on seat depth. This prevents legrest from being positioned too far forward.

**NOTE:** For individual replacement parts for the MPCTMT/MPCTMT-L Power Legrest-Articulating except the Smart Actuator and Mounting Hardware, call Motion Concepts at 1-888-433-6818.



**NOTE:** The Smart Actuator Motor and Mounting Hardware called out is available thru Invacare Corporation only. For all other individual replacement parts for the Power Elevating Legrest call Motion Concepts at 1-888-433-6818



# Power Elevating Legrest - Articulating (MPCTMT/MPCTMT-L) For TDX SP

**NOTE: A complete set of Power Elevating Legrest-Articulating must be ordered thru Invacare's Equipment Configurator. The following items must be ordered separately when requesting a complete set of Power Elevating Legrest-Articulating for the first time:**

1.) Frontal notched out seat pan for chairs manufactured before 3/5/07.

2.) For Contoura Seating Systems, shorter seat rail part #'s (1142951 15" long 2ea.) or (1142952 18" long 2 ea.) depending on seat depth. This prevents legrest from being positioned to far forward.

**NOTE: For individual replacement parts for the MPCTMT/MPCTMT-L Power Legrest-Articulating except the Smart Actuator and Mounting Hardware, call Motion Concepts at 1-888-433-6818.**

Item Number	Note	Part Number	Description	Quantity Per	
				Package	Assembly
1	B,A	1143748	Seat Pan w/ Hook and Loop Fasteners (16-20" W x 16-19" D)	1	1
1	B,A	1143789	Seat Pan w/ Hook and Loop Fasteners (16-20" W x 19-22" D)	1	1
1	B,A	1143790	Seat Pan w/ Hook and Loop Fasteners (20-24" W x 16-19" D)	1	1
1	B,A	1143791	Seat Pan w/ Hook and Loop Fasteners (20-24" W x 19-22" D)	1	1
2	B	1147045	Kit, Power Elevating Legrest-Articulating Mtg. Hdwr. (MPCTMT/MPCTMT-L)	1	1
3			Screw, Socket Head Cap w/ Patch (1/4-20 x 1-1/2")	1	4
4			Spacer (1/4 x 3/8 x 3/16")	1	4
5			Cap, Side Rail End	1	2
6			Block, Threaded	1	2
7	E	1148708	Harness, Power Elevating Legrest-Articulating (MPCTMT/MPCTMT-L)	1	1
8	E	1101401	Harness, ELRPW Power Legrest - Left	1	1
9	G	1142235	Motor, MPCTMT Smart Actuator	1	1
10	C	1153719	Kit, MPCTMT Actuator Motor Mounting Hardware	1	1
11			Screw, Socket Head (3/8-16 x 2-1/2")	1	1
12			Spacer (3/8 x 1 x 1/2")	1	3
13			Locknut (3/8-16)	1	1
14			Screw, Socket Head Cap w/ Patch (3/8-16 x 2")	1	1
15		1021742	Screw, Phillips Pan Head (#4-40 x 1/2")	1	4
16	F	1151959	Center Mount Leg Integrated Actuator Module (CMLIAM) for MPCTMT Legrest w/ Smart Actuator	1	1
	D,D1	1142951	Rail, Seat Frame (15" Long) (For 12-19" Deep Conventional)	1	1
	D,D1	1142952	Rail, Seat Frame (18" Long) (For 19-22" Deep Conventional)	1	1

# Power Elevating Legrest - Articulating (MPCTMT/MPCTMT-L) For TDX SP

**NOTE: A complete set of Power Elevating Legrest-Articulating must be ordered thru Invacare's Equipment Configurator. The following items must be ordered separately when requesting a complete set of Power Elevating Legrest-Articulating for the first time:**

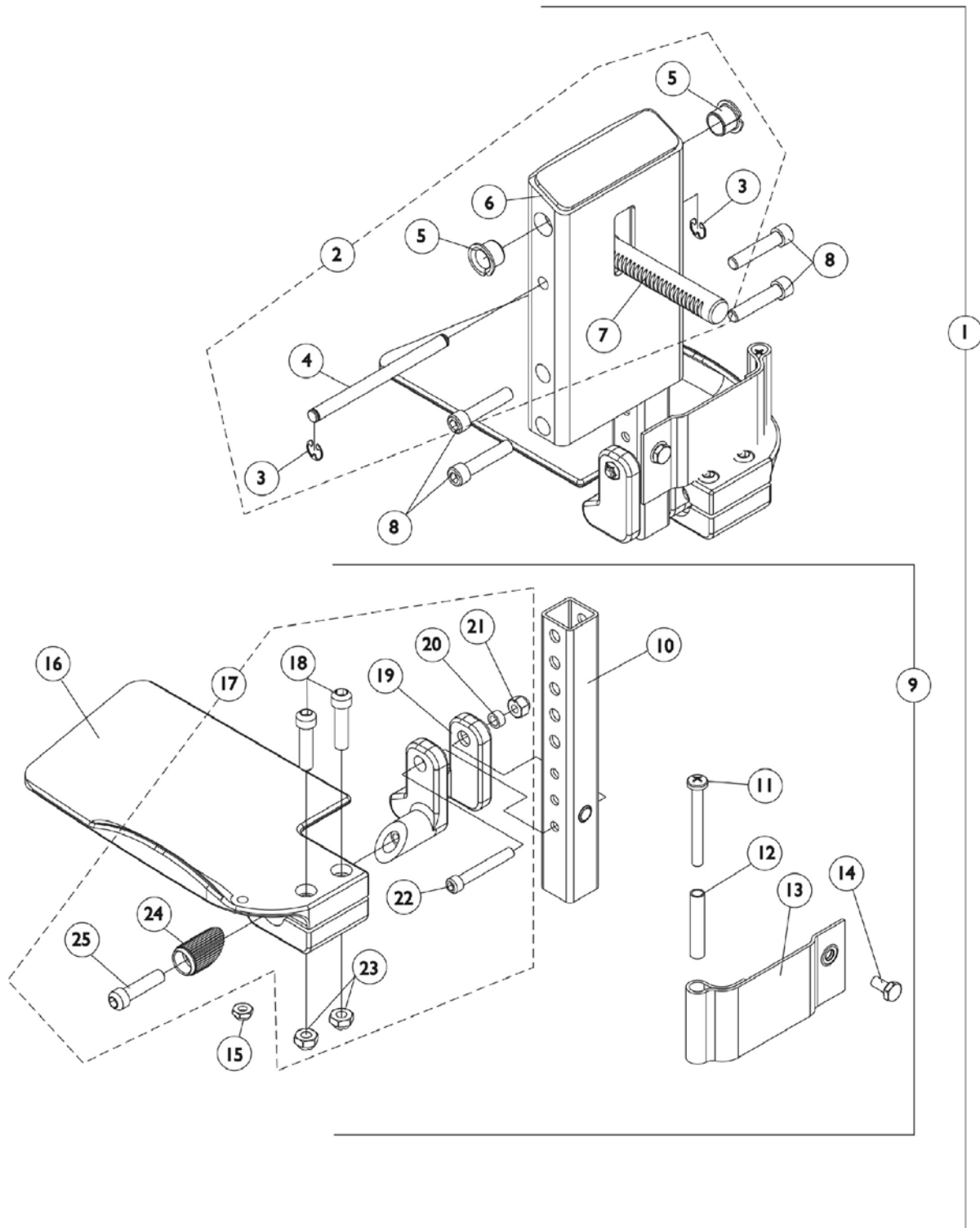
1.) Frontal notched out seat pan for chairs manufactured before 3/5/07.

2.) For Contoura Seating Systems, shorter seat rail part #'s (1142951 15" long 2ea.) or (1142952 18" long 2 ea.) depending on seat depth. This prevents legrest from being positioned to far forward.

**NOTE: For individual replacement parts for the MPCTMT/MPCTMT-L Power Legrest-Articulating except the Smart Actuator and Mounting Hardware, call Motion Concepts at 1-888-433-6818.**

<p>NOTE: A - When ordering a complete set of Power Elevating Legrest-Articulating for the first time for chairs manufactured before 3/5/07, a frontal notched out Seat Pan must be ordered separately. B - Includes items 3-6 C - Includes items 11-14. Part # 1153719 Mounting Hardware can be used for both Conventional and Smart Actuator Motors D - Not Shown. When a customer is ordering Power Elevating Legrest for the first time and a Contoura Seating System is used, the shorter seat rails used for Conventional Backs must be ordered also. D1 - This will prevent the legrest from being positioned to far forward E - Items 7 and 8 are not used when a Smart Actuator Motor is used F - Item 16 is not used when MPCTMT Legrest are ordered with a conventional legrest actuator motor G - Refer to Motion Concepts at 1-888-433-6818 when replacing the MPCTMT "Conventional" Actuator Motor</p>
---

# Front Rigging - Center Mount Rigging CTMT-FJ (CTMT-FJ = 9-1/4" - 12" Range) For TDX SP/SR



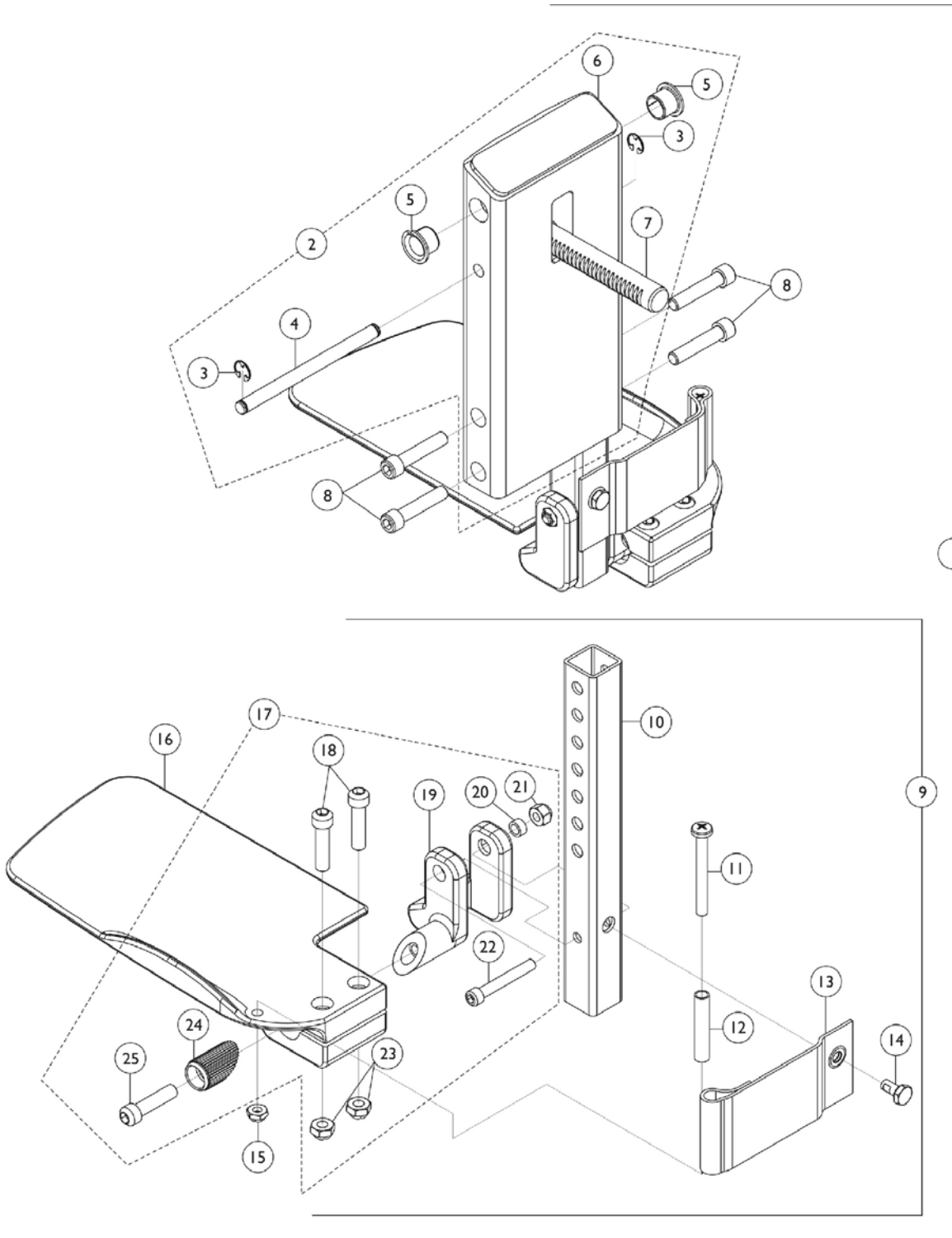
## Front Rigging - Center Mount Rigging CTMT-FJ (CTMT-FJ = 9-1/4" - 12" Range) For TDX SP/SR

Item Number	Note	Part Number	Description	Quantity Per	
				Package	Assembly
1	A	1121990	Center Mount Rigging Assembly, Junior (CTMTJ/CTMT-FJ) ASBA/ADJASBA (9-1/4 - 12" Range)	1	1
2	B	1123021	Legrest Support Assembly, Center Mount, Junior, Black	1	1
3		1113376	Ring, Retainer (1/4 x 1/2 x 1/64")	1	2
4		1113373	Pin, Angle Adjustable A.S.B.A.	1	1
5		1110669	Bearing, Flanged (1/2 x 13/16 x 1/2")	1	2
6		1121984	Support, Junior Legrest (CTMTJ/CTMT-FJ)	1	1
7		1113372	Rack, Center Mount Rigging Angle Adjustable	1	1
8		1021344	Screw, Socket Head Cap (5/16-18 x 1-1/2")	1	4
9	C	1123042	Extension Tube and Footplate Assembly w/ Heel Loop, Junior - Right	1	1
9	C	1123043	Extension Tube and Footplate Assembly w/ Heel Loop, Junior - Left	1	1
10		1123044	Extension Tube, Footrest Short (CTMTJ/CTMT-FJ = 9-1/4" - 12" Range) (CTMT/CTMT-F = 12-1/4" - 15" Range) (PCTMT = 10" - 13" Range)	1	1
11		1021421	Screw, Phillips Pan Head (1/4-20 x 2-1/4")	1	2
12		1006477	Spacer (1/4 x 11/32 x 1-3/4")	1	2
13		1121996	Heel Loop, Center Mount Rigging	1	2
14		1078214	Screw, Hex Head Cap w/ Patch (1/4-20 x 1/2")	1	2
15		1025195	Locknut (1/4-20)	1	2
16	E	1121988	Footplate CTMTJ/CTMT-FJ (5-1/4" W x 8-13/16" L) - Right	1	1
16	E	1121989	Footplate CTMTJ/CTMT-FJ (5-1/4" W x 8-13/16" L) - Left	1	1
17	D	1120345	Center Mount Rigging Footplate Mounting Hardware - Right	1	1
17	D	1121123	Center Mount Rigging Footplate Mounting Hardware - Left	1	1
18		1021343	Screw, Socket Head Cap (5/16-18 x 1-1/4")	1	2
19		1113384	Hinge, Adjustable Angle - Right	1	1
19		1113385	Hinge, Adjustable Angle - Left	1	1
20		1047449	Spacer (1/4 x 3/8 x 3/16")	1	1
21		1065362	Locknut (1/4-28)	1	1
22		1096810	Screw, Socket Head (1/4-28 x 1-3/4")	1	1
23		1108122	Locknut (5/16-18)	1	2
24		1113530	Hinge Attachment	1	1
25		1021343	Screw, Socket Head Cap (5/16-18 x 1-1/4")	1	1

## Front Rigging - Center Mount Rigging CTMT-FJ (CTMT-FJ = 9-1/4" - 12" Range) For TDX SP/SR

NOTE: A - Includes items 2, 8 & 9  
B - Includes items 3-7  
C - Includes items 10-16 & 17  
D - Includes items 18-25  
E - Item #16 - Footplate design revised 2/28/07 to accommodate items 18 & 23. Replace footplates in pairs and order new footplate hardware for chairs mfg. before 2/28/07.

# Front Rigging - Center Mount Rigging (CTMT-F) (CTMT-F = 12-1/4" - 15" Range) For TDX SP/SR

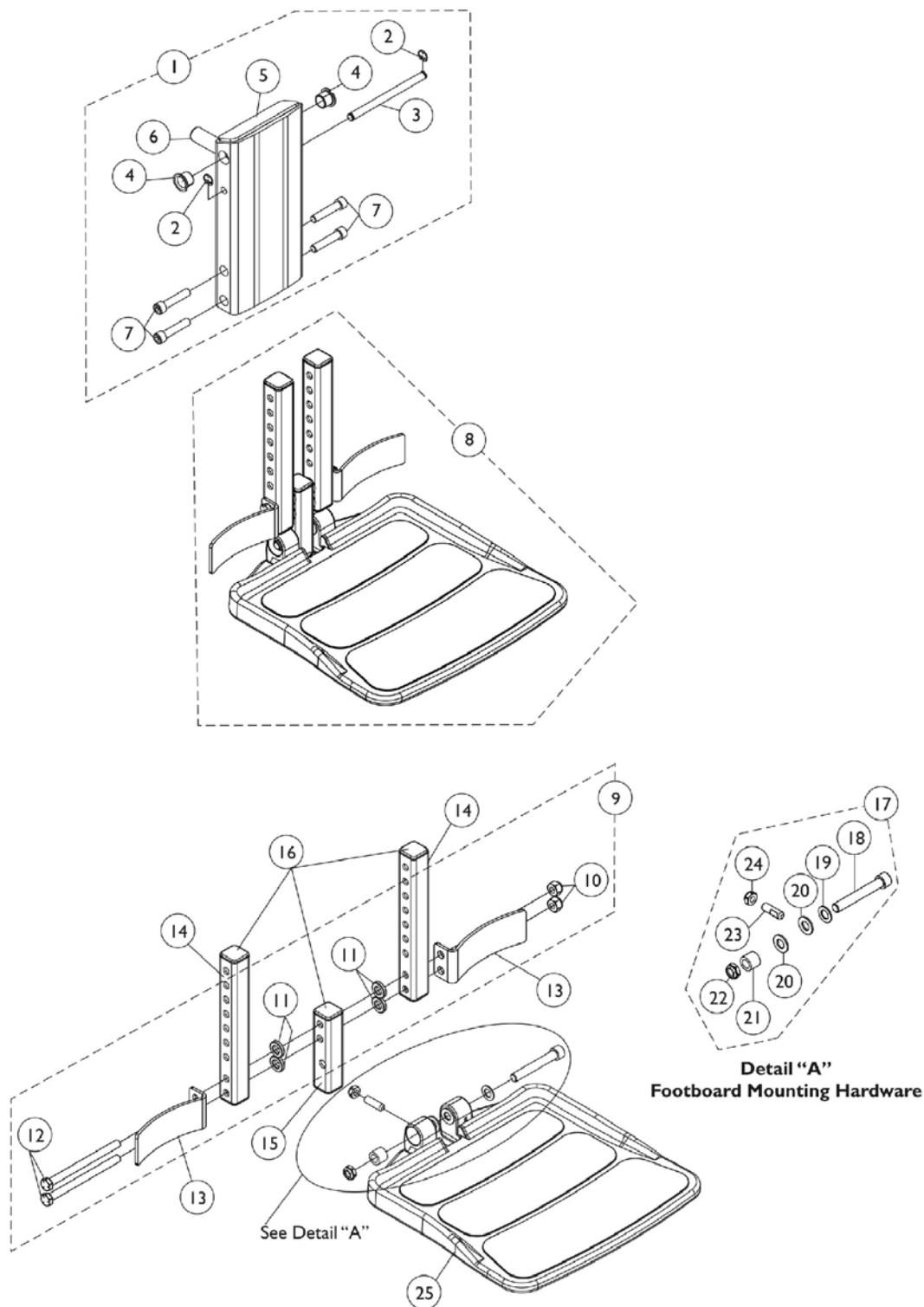


## Front Rigging - Center Mount Rigging (CTMT-F) (CTMT-F = 12-1/4" - 15" Range) For TDX SP/SR

Item Number	Note	Part Number	Description	Quantity Per	
				Package	Assembly
1	A	1117262	Center Mount Rigging Assembly (CTMT) (CTMT-F), ASBA/ADJASBA (12-1/4 - 15" Range)	1	1
2	B	1120346	Legrest Support Assembly, Center Mount, Black	1	1
3		1113376	Ring, Retainer (1/4 x 1/2 x 1/64")	1	2
4		1113373	Pin, Angle Adjustable A.S.B.A.	1	1
5		1110669	Bearing, Flanged (1/2 x 13/16 x 1/2")	1	2
6		1113609	Support, Center Mount Rigging Legrest	1	1
7		1113372	Rack, Center Mount Rigging Angle Adjustable	1	1
8		1021344	Screw, Socket Head Cap (5/16-18 x 1-1/2")	1	4
9		C	1123034	Extension Tube and Footplate Assembly with Heel Loop, Short - Right	1
9	C	1123035	Extension Tube and Footplate Assembly with Heel Loop, Short - Left	1	1
10		1123044	Extension Tube, Footrest Short (CTMTJ/CTMT-FJ = 9-1/4" - 12" Range) (CTMT/CTMT-F = 12-1/4" - 15" Range) (PCTMT = 10" - 13" Range)	1	1
11		1021421	Screw, Phillips Pan Head (1/4-20 x 2-1/4")	1	2
12		1006477	Spacer (1/4 x 11/32 x 1-3/4")	1	2
13		1121996	Heel Loop, Center Mount Rigging	1	2
14		1078214	Screw, Hex Head Cap w/ Patch (1/4-20 x 1/2")	1	2
15		1025195	Locknut (1/4-20)	1	2
16	E	1113606	Footplate, Center Mount Rigging - Right (5-1/4" W x 9-5/8" L)	1	1
16	E	1113607	Footplate, Center Mount Rigging - Left (5-1/4" W x 9-5/8" L)	1	1
17	D	1120345	Center Mount Rigging Footplate Mounting Hardware - Right	1	1
17	D	1121123	Center Mount Rigging Footplate Mounting Hardware - Left	1	1
18		1021343	Screw, Socket Head Cap (5/16-18 x 1-1/4")	1	2
19		1113384	Hinge, Adjustable Angle - Right	1	1
19		1113385	Hinge, Adjustable Angle - Left	1	1
20		1047449	Spacer (1/4 x 3/8 x 3/16")	1	1
21		1065362	Locknut (1/4-28)	1	1
22		1096810	Screw, Socket Head (1/4-28 x 1-3/4")	1	1
23		1108122	Locknut (5/16-18)	1	2
24		1113530	Hinge Attachment	1	1
25		1021343	Screw, Socket Head Cap (5/16-18 x 1-1/4")	1	1

NOTE: A - Includes items 2, 8 & 9  
B - Includes items 3-7  
C - Includes items 10-16 & 17  
D - Includes items 18-25  
E - Item #16 - Footplate design revised 2/28/07 to accommodate items 18 & 23. Replace footplates in pairs and order new footplate hardware for chairs mfg. before 2/28/07.

# Front Rigging - Center Mount Rigging (CTMT-F with FBCTMT One PC Flip-Up Footboard) TDX SP/SR (CTMT-F = 12-1/4" - 15" Range)

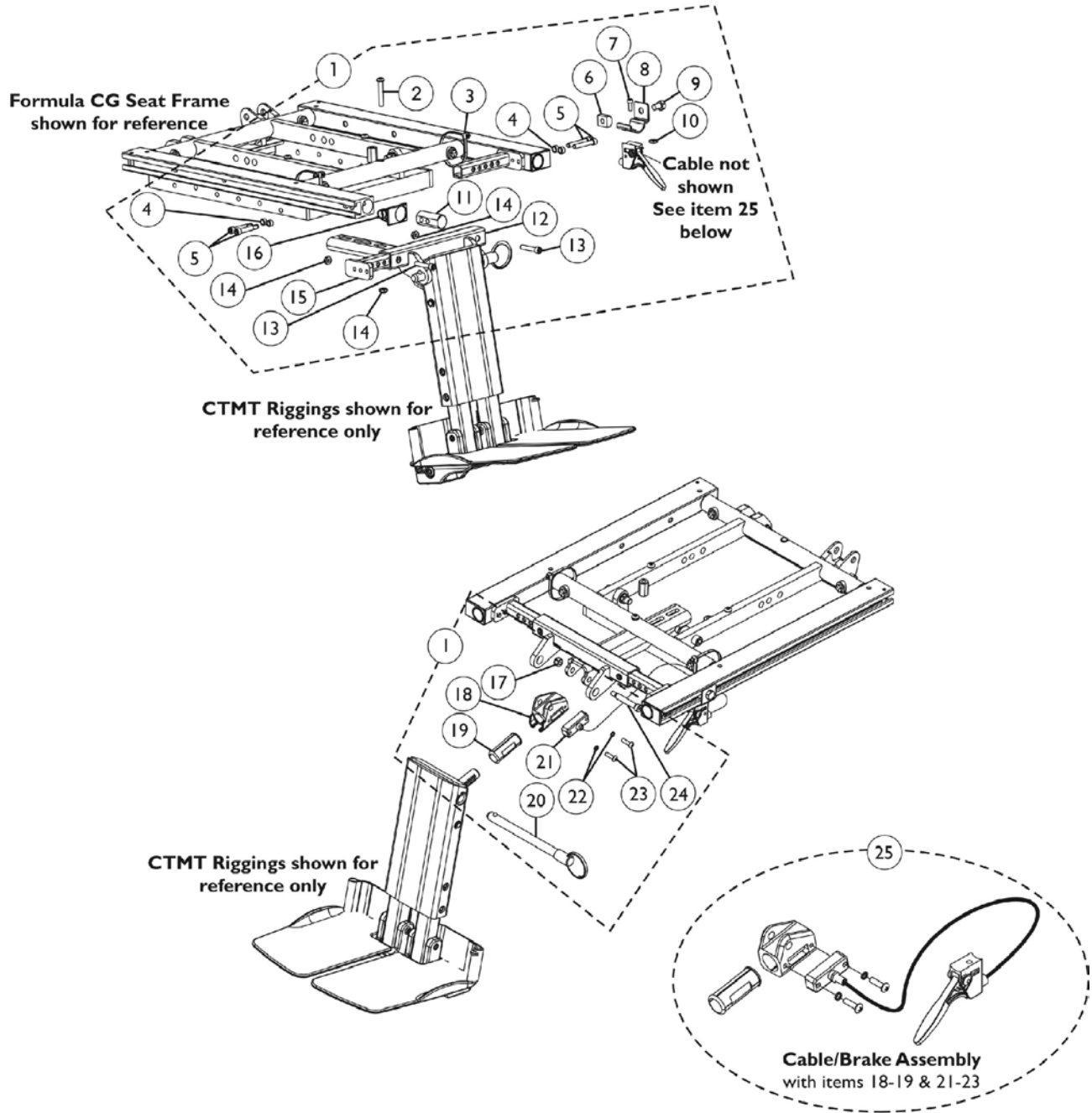




## Front Rigging - Center Mount Rigging (CTMT-F with FBCTMT One PC Flip-Up Footboard) TDX SP/SR (CTMT-F = 12-1/4" - 15" Range)

Item Number	Note	Part Number	Description	Quantity Per	
				Package	Assembly
1	A	1148725	Legrest Support Assembly, Center Mount Rigging	1	1
2			Ring, Retainer (1/4 x 1/2 x 1/64")	1	2
3			Pin, Angle Adjustable A.S.B.A.	1	1
4			Bearing, Flanged (1/2 x 13/16 x 1/2")	1	2
5			Support, Center Mount Rigging Legrest	1	1
6			Rack, Center Mount Rigging Angle Adjustable	1	1
7			Screw, Socket Head Cap (5/16-18 x 1-1/2")	1	4
7		1021344	Screw, Socket Head Cap (5/16-18 x 1-1/2")	1	4
8	B	1148722	Footboard Assembly, FBCTMT (For CTMT-F 12-1/4" - 15" Range & PCTMT 10"-13" Range)	1	1
9	C	1144608	Kit, Heel Stop and Extension Tube Mounting Hardware	1	1
10			Locknut (5/16-18)	1	2
11			Bushing, Actuator Motor (3/8 x 3/4 x 5/32")	1	4
12			Screw, Hex Head (5/16-18 x 4")	1	2
13	F	1153789	Bracket, Heel Stop	1	2
14	G	1148711	Tube, Extension - Short (For CTMT-F 12-1/4" - 15" Range & PCTMT 10"-13" Range)	1	2
15	D	1144607	Tube, Vertical Support w/ Caps	1	1
16		1144609	Package, End Caps (1" Square)	10	1
17	E	1147134	Kit, Footboard Mounting Hardware	1	1
18			Screw, Socket Head (3/8-16 x 2-1/2")	1	1
19			Washer, Flat (3/8 x 11/16 x 1/16")	1	1
20			Washer, Nylon (3/8 x 3/4 x 1/16")	1	2
21			Bushing (3/8 x 5/8 x 1/2")	1	1
22			Locknut, Low Profile (3/8-16)	1	1
23			Screw, Socket Set Flat (5/16-18 x 1")	1	1
24			Locknut (5/16-18)	1	1
25		1114311	Footboard w/ Cover (11-1/4" Wide x 11-1/2" Long)	1	1
<p>NOTE: A - Includes items 2-7            B - Includes items 9, 13, 14, 15, 17 and 25            C - Includes items 10-12            D - Extension Tube and Vertical Support Tube includes Tube Caps at both ends            E - Includes items 18-24            F - Heel Stop Bracket was revised 2/6/08. It is recommended to order in pairs to match for chairs manufactured before 2/6/08.            G - End Caps are no longer used or required for the extension tube as of 4/9/08</p>					

# Center Mount Rigging Mounting Hardware (12"-16" Wide) (CGT) For TDX SP/SR

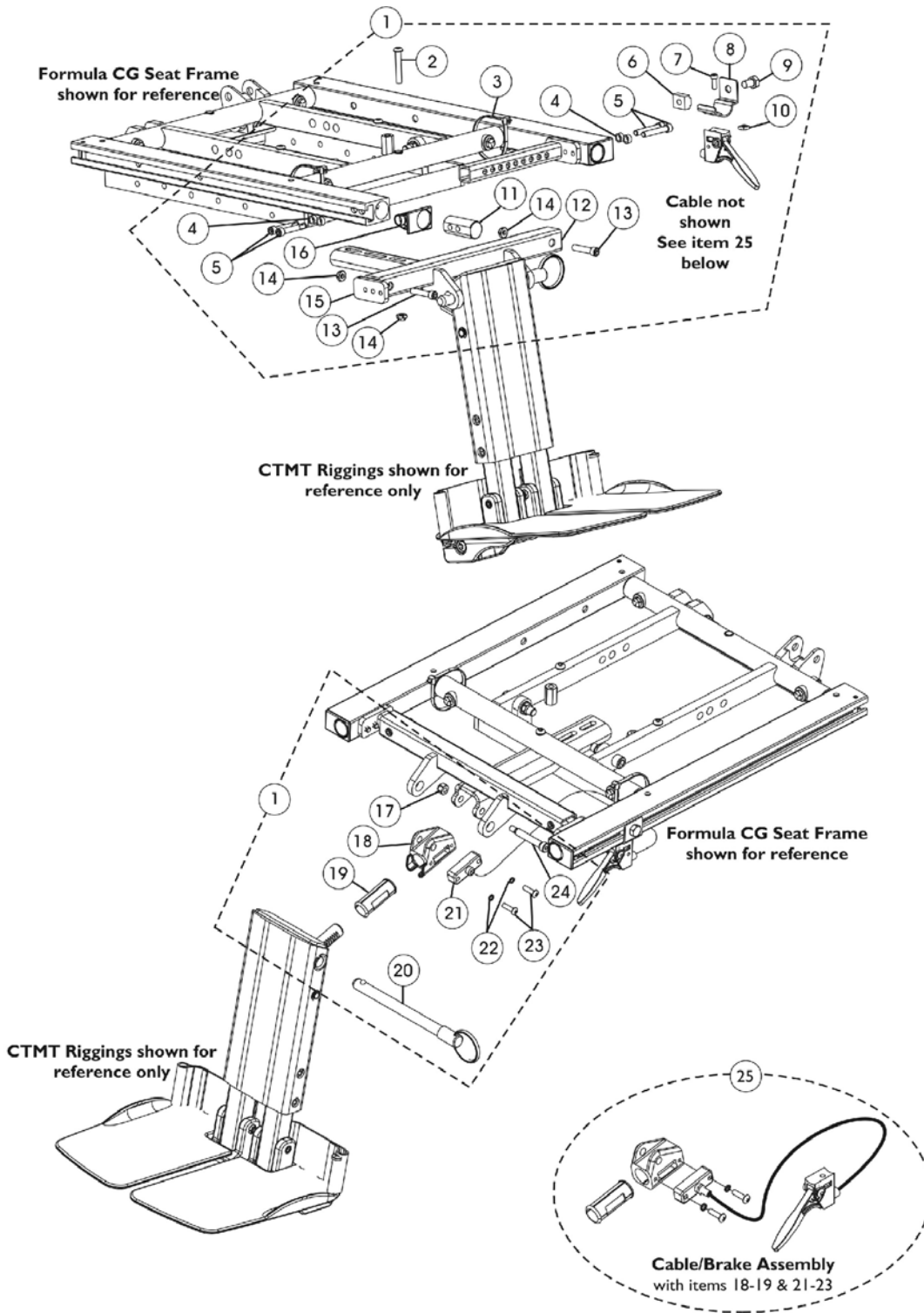


## Center Mount Rigging Mounting Hardware (12"-16" Wide) (CGT) For TDX SP/SR

Item Number	Note	Part Number	Description	Quantity Per	
				Package	Assembly
1	A	1147106	Kit, CTMT-FJ Center Mount Riggings Mounting Hardware	1	1
2			Screw, Socket Button Head (1/4-20 x 1-1/2")	1	1
3			Cable Tie (11-1/2" Long)	1	2
4			Spacer (1/4 x 3/8 x 3/16")	1	4
5			Screw, Socket Head Cap w/ Patch (1/4-20 x 1-1/2")	1	4
6			T-Nut (5/16-18)	1	1
7			Screw, Socket Head (#10-32 x 1/2")	1	1
8			Bracket, Release Handle Mounting	1	1
9			Screw, Hex Head Cap w/ Patch (5/16-18 x 1/2")	1	1
10			Nut, Square (#10-32)	1	1
11			Plug, Support	1	2
12			Support, Center Mount Rigging (12"-16" Deep)	1	1
13			Screw, Socket Head (1/4-20 x 1-1/4")	1	2
14			Locknut (1/4-20)	1	3
15			Support, Seat Pan (12"-16" Wide)	1	2
16			Cap, Side Rail End	1	2
17			Locknut (1/4-20)	1	1
18			Housing, Ratchet	1	1
19			Bearing, Glide	1	2
20			Pin, Quick Release (5" Long)	1	1
21			Cable/Brake Assembly	1	1
22			Washer, Lock (3/16 x 5/16 x 1/32")	1	2
23			Screw, Phillips Pan Head (#10-32 x 11/16")	1	2
24			Screw, Socket Head Shoulder (5/16 x 1-5/8")	1	1
12		1147105	Support, Center Mount Rigging (12"-16" Deep)	1	1
18		1113389	Housing, Ratchet	1	1
19		1113383	Bearing, Glide	1	2
21		1113622	Cable/Brake Assembly	1	1
22		1028527	Washer, Lock (3/16 x 5/16 x 1/32")	1	2
23		40163X008	Screw, Phillips Pan Head (#10-32 x 11/16")	1	2
25	B	1121079	Cable/Brake Assembly with Ratchet Housing and Glide Bearing	1	2
	C	1145733	Instruction Sheet, Center Mount Rigging For Formula CG	1	1

NOTE: A - Includes items 2-23  
B - Includes items 18-19 & 21-23  
C - Not Shown

# Center Mount Rigging Mounting Hardware (16"-24" Wide) (CGT,CGTE, CGR, CGTR, CGTRE) For TDX SP/SR



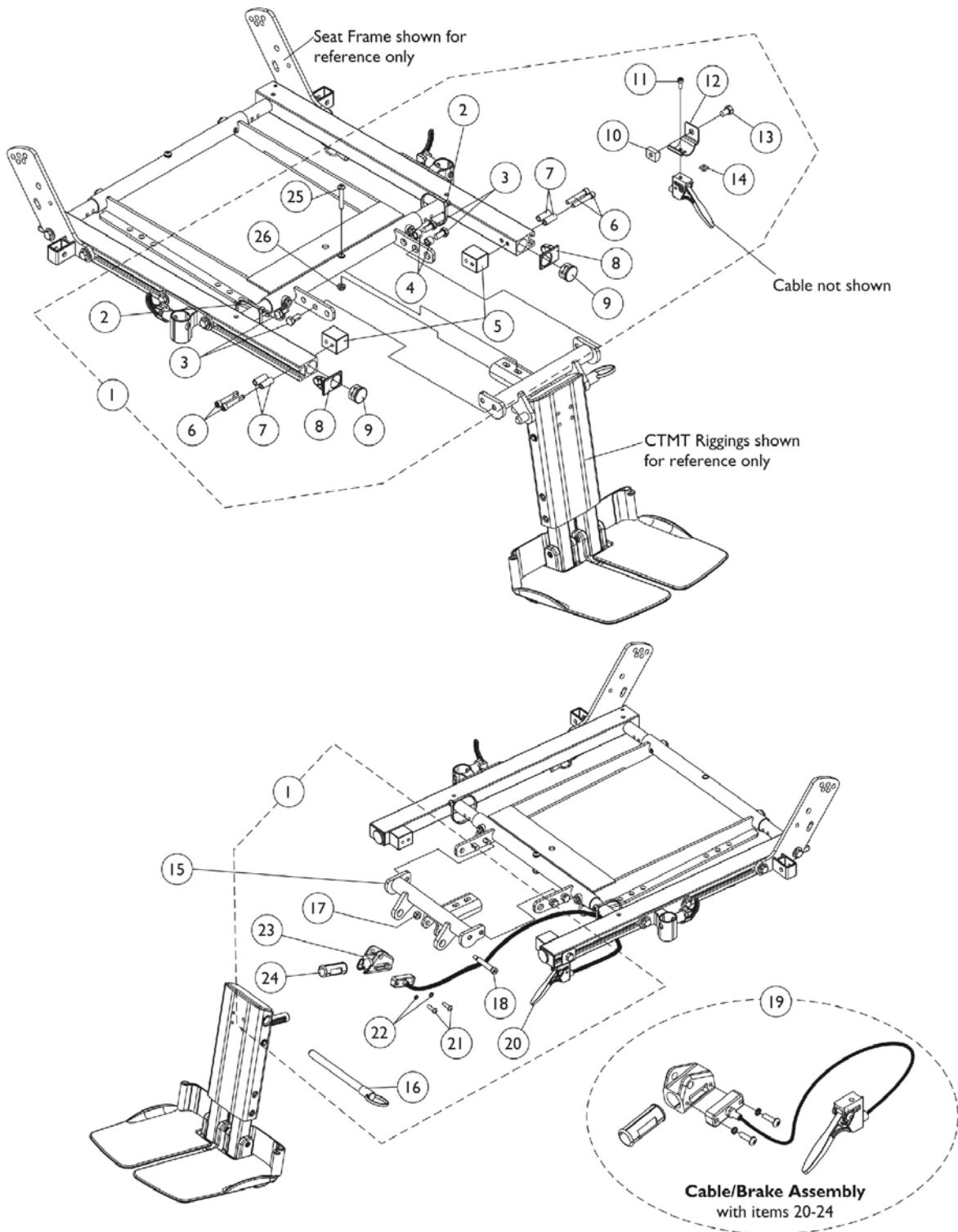
## Center Mount Rigging Mounting Hardware (16"-24" Wide) (CGT,CGTE, CGR, CGTR, CGTRE) For TDX SP/SR

Item Number	Note	Part Number	Description	Quantity Per	
				Package	Assembly
1	A	1147095	Kit, CTMT-F Center Mount Riggings Mounting Hardware (16"-19" Deep)	1	1
2			Screw, Socket Button Head (1/4-20 x 1-1/2")	1	1
3			Cable Tie (11-1/2" Long)	1	2
4			Spacer (1/4 x 3/8 x 3/16")	1	4
5			Screw, Socket Head Cap w/ Patch (1/4-20 x 1-1/2")	1	4
6			T-Nut (5/16-18)	1	1
7			Screw, Socket Head (#10-32 x 1/2")	1	1
8			Bracket, Release Handle Mounting	1	1
9			Screw, Hex Head Cap w/ Patch (5/16-18 x 1/2")	1	1
10			Nut, Square (#10-32)	1	1
11			Plug, Support	1	2
12			Support, Center Mount Rigging (16"-19" Deep)	1	1
13			Screw, Socket Head (1/4-20 x 1-1/4")	1	2
14			Locknut (1/4-20)	1	3
15			Support, Seat Pan (16-24" Wide)	1	2
16			Cap, Side Rail End	1	2
17			Locknut (1/4-20)	1	1
18			Housing, Ratchet	1	1
19			Bearing, Glide	1	2
20			Pin, Quick Release (5" Long)	1	1
21			Cable/Brake Assembly	1	1
22			Washer, Lock (3/16 x 5/16 x 1/32")	1	2
23			Screw, Phillips Pan Head (#10-32 x 11/16")	1	2
24			Screw, Socket Head Shoulder (5/16 x 1-5/8")	1	1
12		1146336	Support, Center Mount Rigging (16"-19" Deep)	1	1
18		1113389	Housing, Ratchet	1	1
19		1113383	Bearing, Glide	1	2
21		1113622	Cable/Brake Assembly	1	1
22		1028527	Washer, Lock (3/16 x 5/16 x 1/32")	1	2
23		40163X008	Screw, Phillips Pan Head (#10-32 x 11/16")	1	2
25	B	1121079	Cable/Brake Assembly with Ratchet Housing and Glide Bearing	1	2
1	A	1147096	Kit, CTMT-F Center Mount Riggings Mounting Hardware (19"-22" Deep)	1	1
2			Screw, Socket Button Head (1/4-20 x 1-1/2")	1	1
3			Cable Tie (11-1/2" Long)	1	2
4			Spacer (1/4 x 3/8 x 3/16")	1	4
5			Screw, Socket Head Cap w/ Patch (1/4-20 x 1-1/2")	1	4
6			T-Nut (5/16-18)	1	1
7			Screw, Socket Head (#10-32 x 1/2")	1	1
8			Bracket, Release Handle Mounting	1	1
9			Screw, Hex Head Cap w/ Patch (5/16-18 x 1/2")	1	1
10			Nut, Square (#10-32)	1	1

## Center Mount Rigging Mounting Hardware (16"-24" Wide) (CGT,CGTE, CGR, CGTR, CGTRE) For TDX SP/SR

Item Number	Note	Part Number	Description	Quantity Per	
				Package	Assembly
11			Plug, Support	1	2
12			Support, Center Mount Rigging (19"-22" Deep)	1	1
13			Screw, Socket Head (1/4-20 x 1-1/4")	1	2
14			Locknut (1/4-20)	1	3
15			Support, Seat Pan (16-24" Wide)	1	2
16			Cap, Side Rail End	1	2
17			Locknut (1/4-20)	1	1
18			Housing, Ratchet	1	1
19			Bearing, Glide	1	2
20			Pin, Quick Release (5" Long)	1	1
21			Cable/Brake Assembly	1	1
22			Washer, Lock (3/16 x 5/16 x 1/32")	1	2
23			Screw, Phillips Pan Head (#10-32 x 11/16")	1	2
24			Screw, Socket Head Shoulder (5/16 x 1-5/8")	1	1
12		1147091	Support, Center Mount Rigging (19"-22" Deep)	1	1
18		1113389	Housing, Ratchet	1	1
19		1113383	Bearing, Glide	1	2
21		1113622	Cable/Brake Assembly	1	1
22		1028527	Washer, Lock (3/16 x 5/16 x 1/32")	1	2
23		40163X008	Screw, Phillips Pan Head (#10-32 x 11/16")	1	2
25	B	1121079	Cable/Brake Assembly with Ratchet Housing and Glide Bearing	1	1
	C	1145733	Instruction Sheet, Center Mount Rigging For Formula CG	1	1
NOTE: A - Includes items 2-23 B - Includes items 18-19 & 21-23 C - Not Shown					

# Center Mount Rigging Mounting Hardware (CTMT-F/CTMT-FL) (16"-22" Wide) (CGE) For TDX SP/SR



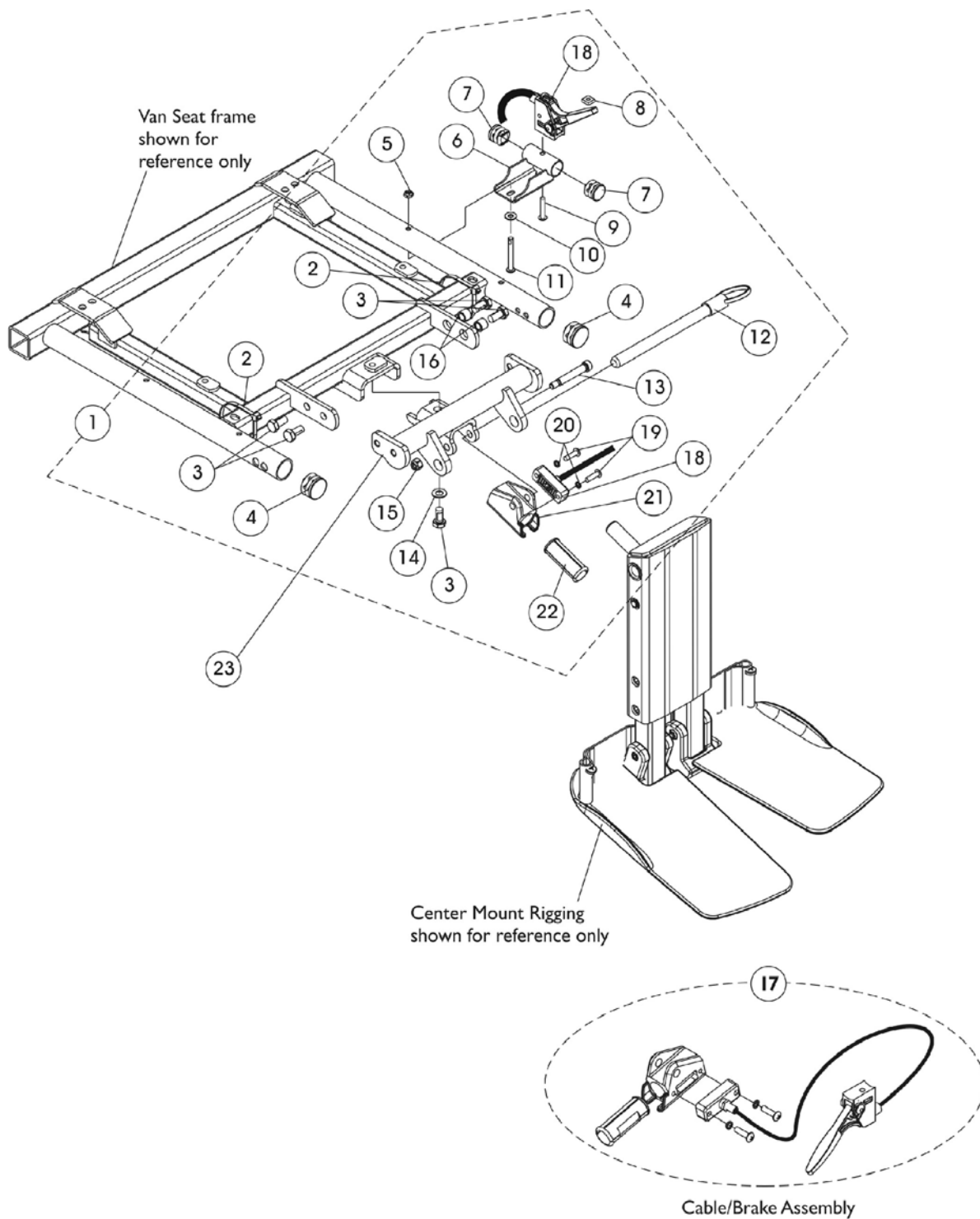
# Center Mount Rigging Mounting Hardware (CTMT-F/CTMT-FL) (16"-22" Wide) (CGE) For TDX SP/SR

Item Number	Note	Part Number	Description	Quantity Per	
				Package	Assembly
1	A	1124701	Kit, CTMT-F/CTMT-FL/CTMT-FJ Center Mount Riggings Mounting Hardware	1	1
2			Cable Tie (11-1/2" Long)	1	2
3			Screw, Hex Head (5/16-18 x 5/8")	1	4
4			Spacer (5/16 x 7/16 x 3/8")	1	2
5			Block, Threaded	1	2
6			Screw, Socket Head Cap w/ Patch (1/4-20 x 1-1/2")	1	4
7			Spacer (1/4 x 3/8 x 29/32")	1	4
8			Cap, Side Rail End	1	2
9			Plug Button, Black (1")	1	2
10			T-Nut (5/16-18)	1	1
11			Screw, Socket Head (#10-32 x 1/2")	1	1
12			Bracket, Release Handle Mounting	1	1
13			Screw, Hex Head Cap w/ Patch (5/16-18 x 1/2")	1	1
14			Nut, Square (#10-32)	1	1
16			Pin, Quick Release (5" Long)	1	1
17			Locknut (1/4-20)	1	1
18			Screw, Socket Head Shoulder (5/16 x 1-5/8")	1	1
20			Cable/Brake Assembly	1	1
21			Screw, Phillips Pan Head (#10-32 x 11/16")	1	2
22			Washer, Lock (3/16 x 5/16 x 1/32")	1	2
23			Housing, Ratchet	1	1
24			Bearing, Glide	1	1
25			Screw, Socket Button Head (1/4-20 x 1-1/2")	1	1
26			Locknut (1/4-20)	1	1
15	C	1122675	Support, Center Mount Rigging (16"-19" Seat Depths)	1	1
15	D	1136001	Support, Center Mount Rigging (Long) (19"-22" Seat Depths)	1	1
19	B	1121079	Cable/Brake Assembly with Ratchet Housing and Glide Bearing	1	1
20		1113622	Cable/Brake Assembly	1	1
21		40163X008	Screw, Phillips Pan Head (#10-32 x 11/16")	1	2
22		1028527	Washer, Lock (3/16 x 5/16 x 1/32")	1	2
23		1113389	Housing, Ratchet	1	1
24		1113383	Bearing, Glide	1	1

NOTE: A - Includes items 2-14, 16-18 and 20-26  
B - Includes items 20-24  
C - Support used for 16"-19" deep seats  
D - Support used for 19"-22" deep seats



# Center Mount Rigging Mounting Hardware (CTMT-F/CTMT-FJ) (CGE) w/ Van Seats For TDX SP/SR



## Center Mount Rigging Mounting Hardware (CTMT-F/CTMT-FJ) (CGE) w/ Van Seats For TDX SP/SR

Item Number	Note	Part Number	Description	Quantity Per	
				Package	Assembly
1	A	1146629	Kit, Center Mount Rigging Mounting Hardware For Van Seat	1	1
2			Cable Tie (11-1/2" Long)	1	2
3			Screw, Hex Head (5/16-18 x 5/8")	1	5
4			Plug Button, Black (1")	1	2
5			Locknut (#10-32)	1	1
6			Bracket, Release Handle Van Seat	1	1
7			Plug Button, Black (3/4")	1	2
8			Nut, Square (#10-32)	1	1
9			Screw, Phillips Pan Head (#10-32 x 1")	1	1
10			Washer, Plain (3/16 x 1/2 x 1/16")	1	1
11			Screw, Phillips Pan Head w/ Patch (#10-32 x 1-5/8")	1	1
12			Pin, Quick Release (5" Long)	1	1
13			Screw, Socket Head Shoulder (5/16 x 1-5/8")	1	1
14			Washer, Flat (5/16 x 5/8 x 1/16")	1	1
15			Locknut (1/4-20)	1	1
16			Spacer (5/16 x 7/16 x 3/8")	1	2
18			Cable/Brake Assembly	1	1
19			Screw, Phillips Pan Head (#10-32 x 11/16")	1	2
20			Washer, Lock (3/16 x 5/16 x 1/32")	1	2
21			Housing, Ratchet	1	1
22			Bearing, Glide	1	2
23		1147077	Support, Center Mount Rigging (For Van Seat)	1	1
17	B	1121079	Cable/Brake Assembly with Ratchet Housing and Glide Bearing	1	1

NOTE: A - Includes items 2-22  
B - Includes items 19-22

**Invacare Corporation**

[www.invacare.com](http://www.invacare.com)



Yes, you can.™

One Invacare Way  
Elyria, Oh USA  
44036-2125  
800-333-6900

Technical Support  
800-832-4707  
Florida Technical Support  
407-321-5630

Customer Service  
800-333-6900

©2008 Invacare Corporation. Elyria, Ohio.  
All rights reserved. Trademarks are  
identified by the symbols™ and®. All  
trademarks are owned by or licensed to  
Invacare Corporation unless otherwise  
noted. Otto Bock is a registered trademark  
owned by Otto Bock Orthopaedische  
Industrie GMBH & Co.. JAY Back is a  
registered trademark of Sunrise Medical  
HHG, Inc. Corporation (Revised 6/25/08)

Form No. 07\_077

## Free Manuals Download Website

<http://myh66.com>

<http://usermanuals.us>

<http://www.somanuals.com>

<http://www.4manuals.cc>

<http://www.manual-lib.com>

<http://www.404manual.com>

<http://www.luxmanual.com>

<http://aubethermostatmanual.com>

Golf course search by state

<http://golfingnear.com>

Email search by domain

<http://emailbydomain.com>

Auto manuals search

<http://auto.somanuals.com>

TV manuals search

<http://tv.somanuals.com>