



INFINITYTM BACK SUPPORTS

Assembly, Installation and Operation Instructions

WARNING

THE PROCEDURES IN THIS MANUAL MUST BE PERFORMED BY AN AUTHORIZED DEALER OR QUALIFIED SERVICE TECHNICIAN.

DO NOT INSTALL OR USE THIS EQUIPMENT WITHOUT FIRST READING AND UNDERSTANDING THIS MANUAL. IF YOU ARE UNABLE TO UNDERSTAND THE WARNINGS, CAUTIONS, AND INSTRUCTIONS, CONTACT A HEALTHCARE PROFESSIONAL, DEALER OR TECHNICAL PERSONNEL IF APPLICABLE BEFORE ATTEMPTING TO INSTALL OR USE THIS EQUIPMENT - OTHERWISE INJURY OR DAMAGE MAY RESULT.

SPECIAL NOTES

NOTICE

THE INFORMATION CONTAINED IN THIS DOCUMENT IS SUBJECT TO CHANGE WITHOUT NOTICE.

WARNING/CAUTION notices as used in this manual apply to hazards or unsafe practices which could result in personal injury or property damage.

SAVE THESE INSTRUCTIONS

TABLE OF CONTENTS

<p>SPECIAL NOTES 2</p> <p>SAFETY SUMMARY 3</p> <p>IMPORTANT INFORMATION 5</p> <p>INSTALLATION/ADJUSTMENT OVERVIEW 5</p> <p>PROCEDURE 1 - PREPARING WHEELCHAIR 6 INSTALLING/REMOVING CANE CLAMPS 6 INSTALLING INSERTS 6</p> <p>PROCEDURE 2 - PREPARING THE INFINITY BACK FOR INSTALLATION 7 INSTALLING/REMOVING THE LATERAL SUPPORTS 7 INSTALLING/REMOVING CUSHIONS 7 ADJUSTING THE MOUNTING HARDWARE 9</p>	<p>PROCEDURE 3 - INSTALLING/REMOVING THE INFINITY BACK 10 INSTALLING/REMOVING THE INFINITY BACK .. 10</p> <p>PROCEDURE 4 - ADJUSTING THE INFINITY BACK 11 ADJUSTING CANE CLAMP HEIGHT 11 ADJUSTING THE HINGE/ANGLE (DUALFLEX ONLY) 11 ADJUSTING THE DEPTH HARDWARE 12 ADJUSTING THE LATERAL SUPPORTS 12</p> <p>PROCEDURE 5 - MAINTENANCE 14 INSTALLING/REMOVING CUSHION FOAM 14 INSPECTION 15 CLEANING 15</p> <p>LIMITED WARRANTY BACK COVER</p>
--	--

SAFETY SUMMARY

NOTE: Check all parts for shipping damage. In case of damage, DO NOT use. Contact your Dealer for further instruction.

INSTALLATION WARNINGS

Stabilize from the ground up. A stable base, pelvis and footrests are requirements for any torso positioning system.

For proper installation of the Infinity Back and to reduce the risk of pressure sores, the adjustment procedures in this manual **MUST** be performed in the following order:

1. Adjusting the Mounting Hardware
2. Adjusting the Hinge/Angle (DUALFLEX ONLY)
3. Adjusting the Depth Hardware
4. Adjusting the Lateral Supports

Ensure the Infinity Back is properly secured to the wheelchair **BEFORE** using. Upper mounting pins must sit flush in the upper (swivel) cane clamps for the clamp lock to secure the Infinity Back to the wheelchair. Lower mounting pins must rest in the groove on the flange of the lower (fixed) cane clamps. Otherwise changes in seat depth will occur, making the wheelchair less stable.

After **ANY** adjustments, repair or service and **BEFORE** use, make sure all attaching hardware is tightened securely - otherwise injury or damage may occur.

STABILITY WARNINGS

The seat height, seat depth, back height, tilt angle, back angle, pivot point of seat frame, seating system, caster position, size and position of the rear wheels, wheel locks, anti-tippers, locking collar as well as the user condition directly relate to the stability of the wheelchair. Any change to one (1) or any combination of the fourteen (14) may cause the wheelchair to decrease in stability. Use **EXTREME** caution when using a new seating position.

	Seat Height	Back Height	Seat Depth	Back Angle	Seating System	Tilt Angle	Seat Frame Pivot Point	Caster Position	Rear Wheel Size	Rear Wheel Position	User Condition	Wheel Locks	Anti-Tippers	Locking Collar	Seat Dump
Seat Height	●				✓	✓	✓	✓	✓	✓	✓		✓		✓
Back Height		●		✓	✓						✓				
Seat Depth			●	✓	✓	✓	✓	✓		✓	✓	✓	✓	✓	
Back Angle			✓	●	✓	✓	✓			✓	✓	✓	✓	✓	
Seating System	✓	✓	✓	✓	●	✓	✓	✓	✓	✓	✓	✓	✓	✓	
Tilt Angle	✓			✓	✓	●	✓			✓	✓	✓	✓	✓	✓
Seat Frame Pivot Point	✓		✓	✓	✓	✓	●		✓	✓	✓	✓	✓	✓	✓
Caster Position	✓		✓					●	✓	✓	✓	✓	✓		✓
Rear Wheel Size	✓							✓	●	✓		✓	✓		
Rear Wheel Position	✓		✓	✓	✓	✓	✓	✓	✓	●	✓	✓	✓		✓
User Condition	✓	✓	✓	✓	✓	✓	✓	✓	✓	✓	●	✓	✓	✓	
Seat Dump	✓			✓			✓	✓	✓	✓	✓	✓	✓		●
Locking Collar				✓		✓	✓				✓			●	

NOTE: When changes to the left hand column occur, follow across the chart and refer to the ✓ procedure to maintain the proper stability, safety and handling of the wheelchair.

NOTE: Additional adjustments may be needed according to the wheelchair type. Refer to the wheelchair owner's manual for these procedures.

SAFETY SUMMARY

STABILITY WARNINGS (CONTINUED)

ALWAYS make sure wheelchair is stable **BEFORE** reclining the back system. Rear wheels may have to be repositioned rearward depending on the degree of recline. **ALWAYS** ensure stability **BEFORE** using maximum amount of recline. **TEST** wheelchair **BEFORE** it is occupied by end user to ensure stability.

To maintain the stability of the wheelchair when moving the rear wheels to **ANY** forward position, the amount of recline **MUST** be limited to prevent the wheelchair from tipping onto the anti-tippers.

The necessary back angle **MUST** be selected **BEFORE** repositioning rear wheels forward.

AS REGARDS RESTRAINTS - SEAT POSITIONING STRAPS - IT IS THE OBLIGATION OF THE DME DEALER, THERAPISTS AND OTHER HEALTH CARE PROFESSIONALS TO DETERMINE IF A SEAT POSITIONING STRAP IS REQUIRED TO ENSURE THE SAFE OPERATION OF THIS EQUIPMENT BY THE USER. SERIOUS INJURY CAN OCCUR IN THE EVENT OF A FALL FROM A WHEELCHAIR.

SEATING PRESSURE WARNING

Skin condition should be checked very frequently after the installation and use of any new seating system.

IMPORTANT INFORMATION

The best way to avoid problems related to pressure sores is to understand their causes and your role in a skin management program.

Your therapist and physician should be consulted if you have any questions regarding weight relief, self-examination of skin, or individual limitations and needs.

All cushions should be selected carefully. Working with your therapist, physician and equipment supplier is the best way to assure that a cushion choice matches your individual needs.

As the needs of the client become more complex, the cushion evaluation becomes more important.

I
N
F
O
R
M
A
T
I
O
N

INSTALLATION/ADJUSTMENT OVERVIEW

INSTALLATION/ADJUSTMENT OVERVIEW (FIGURE 1)

WARNING

For proper installation of the Infinity Back and to reduce the risk of pressure sores, the adjustment procedures in this manual **MUST** be performed in the following order:

- | | |
|--|-----------------------------------|
| 1. Adjusting the Mounting Hardware | 3. Adjusting the Depth Hardware |
| 2. Adjusting the Hinge/Angle (DUALFLEX ONLY) | 4. Adjusting the Lateral Supports |

Follow the steps below in order. Refer to the procedure below each step.

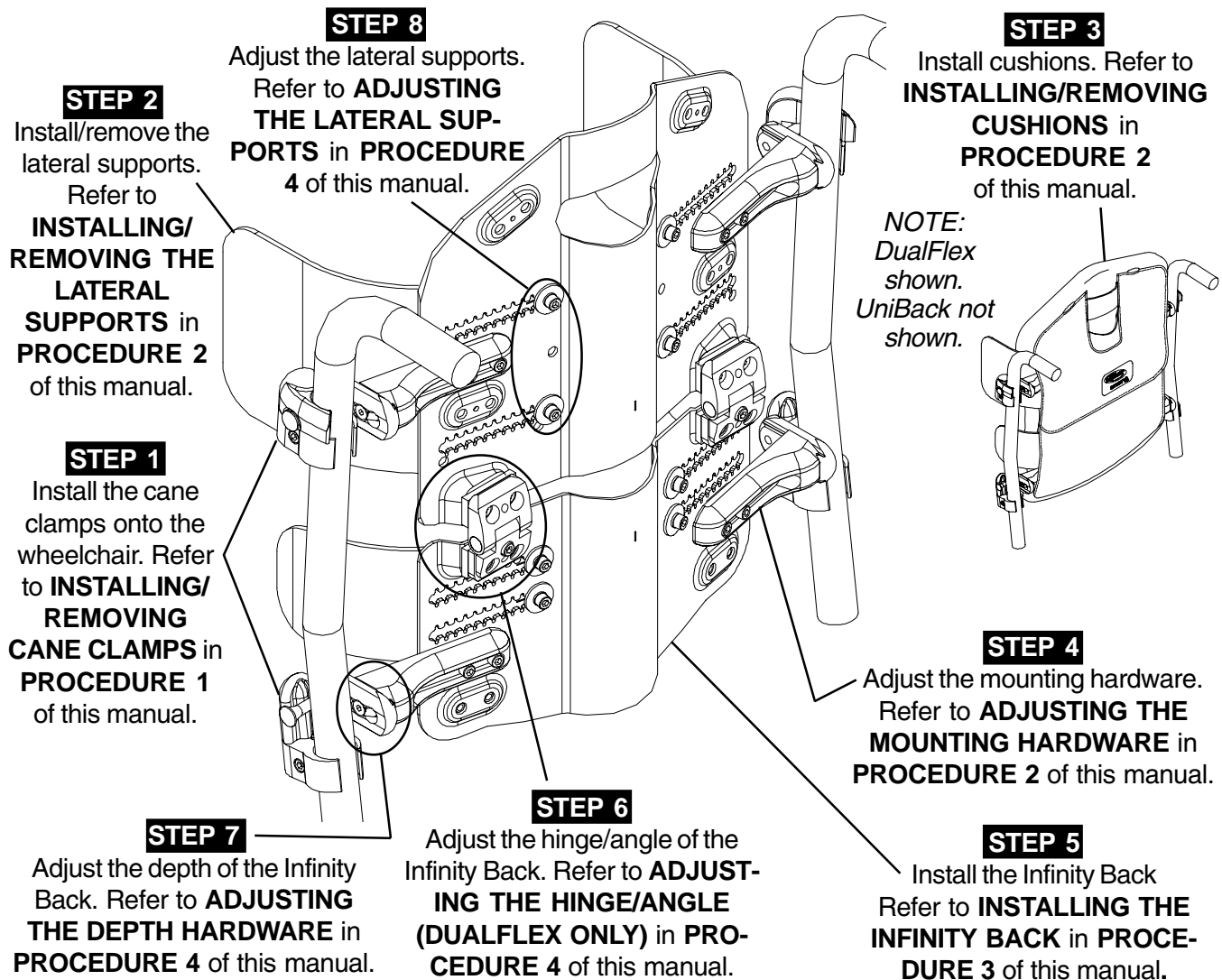


FIGURE 1 - INSTALLATION/ADJUSTMENT OVERVIEW

O
V
E
R
V
I
E
W

This Procedure includes the following:
Installing/Removing Cane Clamps
Installing Inserts

INSTALLING/REMOVING CANE CLAMPS (FIGURE 1)

*NOTE: Refer to the **INSTALLATION AND STABILITY WARNINGS** in the **SAFETY SUMMARY** of this manual.*

Installing Cane Clamps

WARNING

DO NOT modify cane clamps to fit 3/4-inch tubing. Clamps provided are for 1-inch or 7/8-inch tubing **ONLY**.

NOTE: The final positions of the upper (swivel) and lower (fixed) cane clamps will be determined by the adjustments made to the Infinity Back to fit the wheelchair and user.

1. Remove existing back upholstery. Refer to wheelchair owner's manual.
2. Loosen, but do not remove the mounting screw on the cane clamp with allen wrench provided.
3. Perform one (1) of the following:

UPPER (SWIVEL) CLAMPS - Visually inspect the clamps to determine whether they are for the RIGHT or LEFT back cane as shown in **FIGURE 1**.

NOTE: The upper (swivel) cane clamps are marked with R for RIGHT and L for LEFT.

NOTE: RIGHT and LEFT are determined by sitting in the wheelchair.

LOWER (FIXED) CLAMPS - Proceed to **STEP 4**.

4. Hold the Infinity Back up to the back canes of the wheelchair at the desired mounting height.
5. Visually inspect the location of the mounting pins on the Infinity Back to determine the proper positions for each cane clamp.
6. Position the clamp on the back cane at the desired height so that the open end of the clamp is facing the REAR of the back cane as shown in **FIGURE 1**.
7. Torque mounting screw to 45-50 in./lbs.
8. Perform one (1) of the following:
 - A. If cane clamp holds desired mounting position, proceed to **STEP 9**.
 - B. If cane clamp DOES NOT hold desired mounting position, clamp is too large - refer to **INSTALLING INSERTS** in this procedure of the manual.
9. Repeat **STEPS 2 - 8** for remaining cane clamp(s).

Removing Cane Clamps

1. Remove the Infinity Back from the wheelchair. Refer to **REMOVING THE INFINITY BACK** in **PROCEDURE 3** of this manual.
2. Loosen, but do not remove the mounting screw on the cane clamp.
3. Remove cane clamp from back cane.

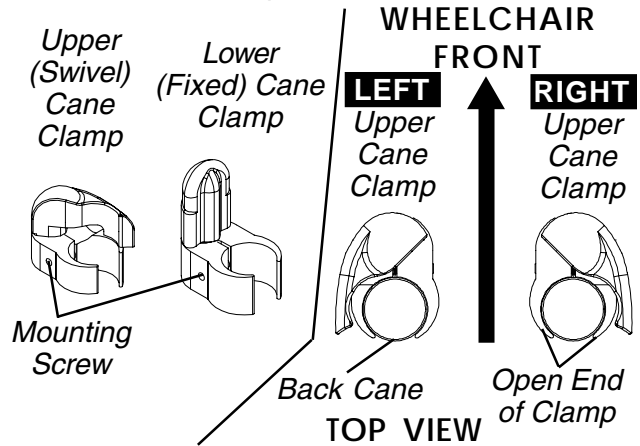


FIGURE 1 - INSTALLING/REMOVING CANE CLAMPS

INSTALLING INSERTS (FIGURE 2)

*NOTE: Refer to the **INSTALLATION AND STABILITY WARNINGS** in the **SAFETY SUMMARY** of this manual.*

NOTE: This procedure should be performed only if cane clamps are too large for back cane tubing.

1. Loosen the mounting screw in the cane clamp.
- NOTE: Mounting screw should be loosened enough to create space for the insert to fit between the back cane and the cane clamp.*
2. Position one (1) insert onto the back cane near the cane clamps with the opening facing the front of the wheelchair.
3. Slide the cane clamp over the insert until the clamp halves surround the insert as shown in **FIGURE 2**.
4. Torque mounting screw to 45-50 in./lbs.

NOTE: If clamps are still too large for back canes, DO NOT use. Contact Invacare at the number on the back page of this manual.

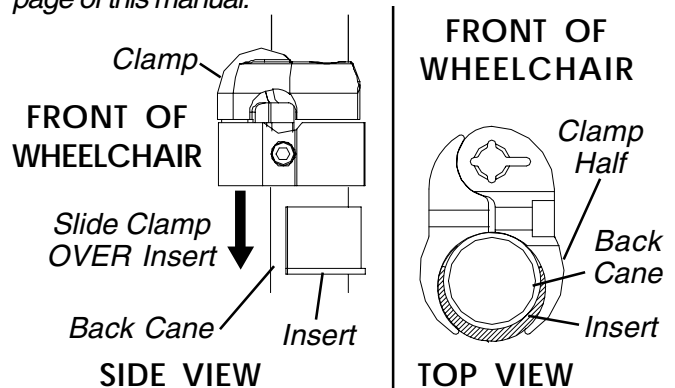


FIGURE 2 - INSTALLING INSERTS

This Procedure includes the following:
Installing/Removing the Lateral Supports
Installing/Removing Cushions
Adjusting the Mounting Hardware

INSTALLING/REMOVING THE LATERAL SUPPORTS (FIGURE 1)

*NOTE: Refer to the **INSTALLATION AND STABILITY WARNINGS** in the **SAFETY SUMMARY** of this manual.*

NOTE: The lateral supports include the lateral thoracic supports and the pelvic stabilizers.

Installing

1. Remove the back cushion from the back panel. Refer to **INSTALLING/REMOVING CUSHIONS** in this procedure of the manual.
2. Hold one (1) mounting screw with the threads UP.
3. Position the tooth lock washer on the mounting screw.
4. Position the curved washer on the mounting screw so that the bent portion is TOWARD the head of the mounting screw as shown in **FIGURE 1**.
5. Position the lateral support in the upper, middle or lower position, aligning the mounting holes of the support with the adjustment slot in the Infinity Back as shown in **FIGURE 1**.

NOTE: The grooves next to the mounting holes in the lateral supports are provided to align supports on either side of the Infinity Back. Look through the toothed adjustment slot to see which mounting hole has been used and use the same mounting hole on the opposite lateral support.

6. Loosely install the mounting screw with washers through the adjustment slot and into the mounting hole on the lateral support.

NOTE: It is not necessary to tighten the mounting screws on the lateral supports at this time. The lateral supports will be adjusted after the Infinity Back has been installed on the wheelchair and the user has been evaluated.

7. Repeat **STEPS 2-6** for the other mounting screw for this lateral support.
8. Repeat **STEPS 2-7** for the remaining lateral supports.
9. Install the back cushion on the back panel. Refer to **INSTALLING/REMOVING CUSHIONS** in this procedure of the manual.

Removing

1. Remove the back cushion from the back panel. Refer to **INSTALLING/REMOVING CUSHIONS** in this procedure of the manual.
2. Remove the (2) mounting screws and washers securing the lateral support to the back panel.

3. Remove the lateral support.
4. Repeat **STEPS 2-3** for the remaining lateral supports, if necessary.
5. Install the back cushion on the back panel. Refer to **INSTALLING/REMOVING CUSHIONS** in this procedure of the manual.

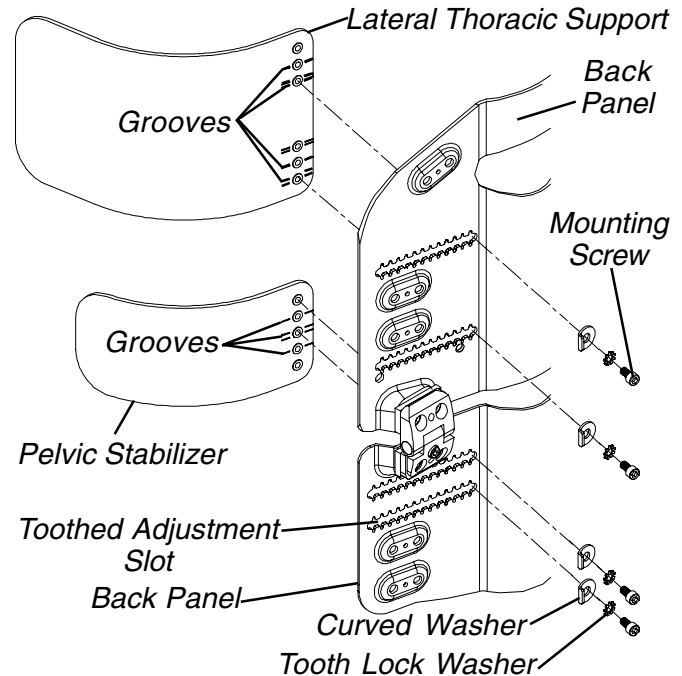


FIGURE 1 - INSTALLING/REMOVING THE LATERAL SUPPORTS

INSTALLING/REMOVING CUSHIONS (FIGURE 2)

*NOTE: Refer to the **INSTALLATION AND STABILITY WARNINGS** in the **SAFETY SUMMARY** of this manual.*

CAUTION

The cushion covers are designed to protect the foam against moisture and to provide fire retardancy. **DO NOT** use the back without the covers. If the covers are torn, they must be replaced immediately.

Installing/Removing Spinal Insert

INSTALLING.

1. Remove the back cushion from the back panel(s). Refer to **INSTALLING/REMOVING BACK CUSHION** in this procedure of the manual.
2. Align the hook and loop fasteners on the spinal insert(s) and back panel(s).
3. Press the rounded edge of the spinal insert(s) onto the rounded groove in the back panel(s) to secure.
4. Install the cushion onto the back panel(s). Refer to **INSTALLING/REMOVING BACK CUSHION** in this procedure of the manual.

REMOVING.

1. Remove the back cushion from the back panel(s). Refer to **INSTALLING/REMOVING BACK CUSHION** in this procedure of the manual.
2. Grasp the spinal insert(s) and pull to release the hook and loop fasteners.
3. Install the cushion onto the back panel(s). Refer to **INSTALLING/REMOVING BACK CUSHION** in this procedure of the manual.

Installing/Removing Lateral Support Cushions

INSTALLING.

1. Hold the fastening end of the cushion away from the fastening strip on the support.
2. Insert the support into the pocket on the opposite end of the cushion as shown in **FIGURE 2**.
3. Release the fastening end of the cushion.
4. Press the fastening end firmly against the support to secure.

REMOVING.

1. Grasp the fastening end of the cushion.
2. Pull upwards to release the hook and loop fasteners as shown in **FIGURE 2**.

3. Slide the cushion off the support.

Installing/Removing Back Cushion

INSTALLING.

1. Lift the top flap up and pull the bottom flap down on the back cushion cover.
2. Position the cushion against the back panel(s) with the flaps on the outside of the Infinity Back.

*NOTE: Ensure the lateral supports are positioned between the back cushion foam and the elastic strips on either side of the back cushion cover as shown in **FIGURE 2**.*

3. If desired, install the adjustable positioning pad (UniBack only) onto the back cushion foam. Refer to **INSTALLING/REMOVING CUSHION FOAM** in **PROCEDURE 5** of this manual.
4. Close the top and bottom flaps of the back cushion cover and press the fastening strips together to secure the back cushion to the Infinity Back as shown in **FIGURE 2**.

REMOVING.

1. Grasp the top flap and pull up to release the fastening strips.
2. Grasp the bottom flap and pull down to release the fastening strips.
3. Grasp the cushion and pull away from the Infinity Back to remove.

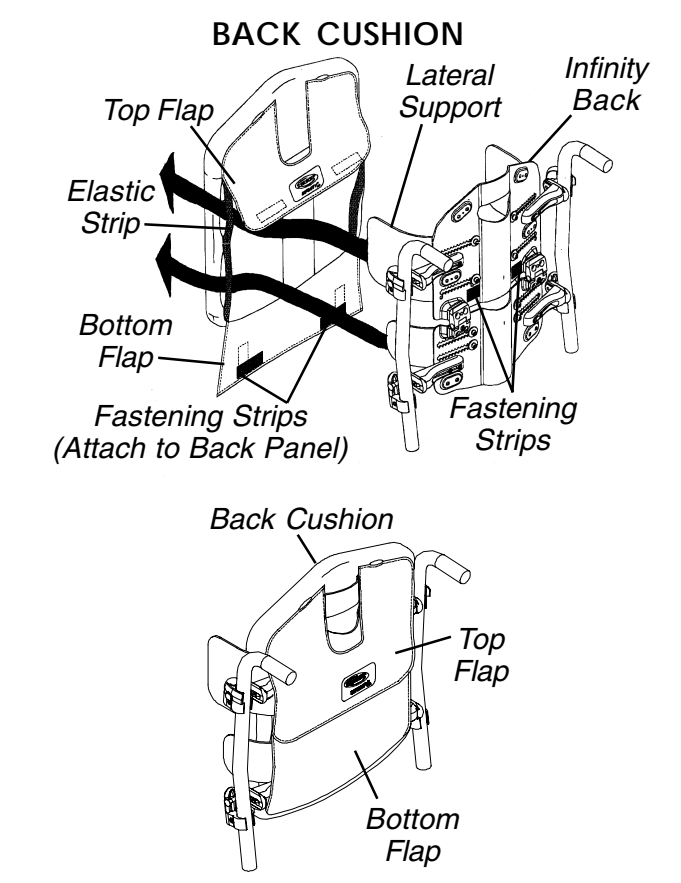
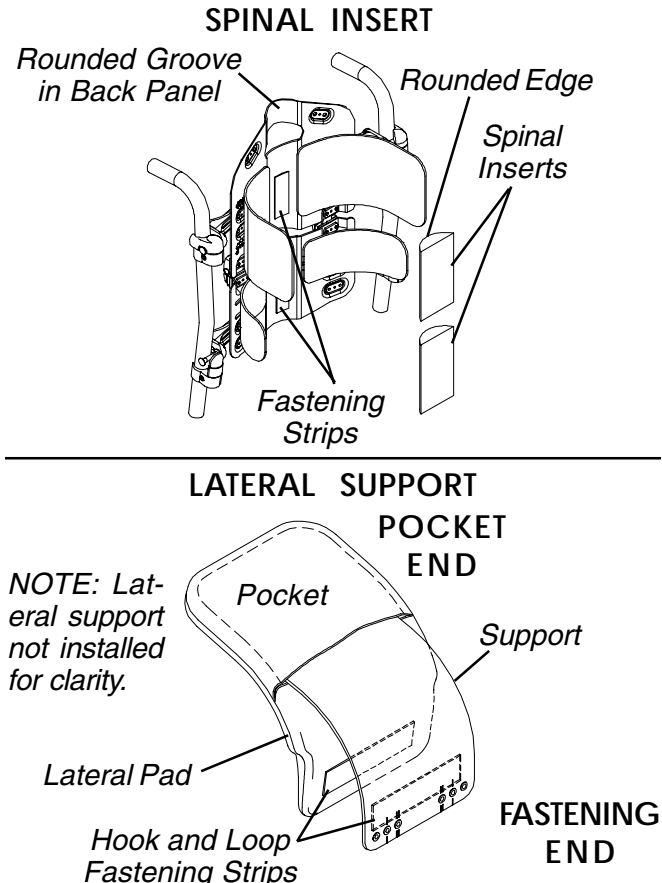


FIGURE 2 - INSTALLING/REMOVING CUSHIONS

ADJUSTING THE MOUNTING HARDWARE (FIGURE 3)

*NOTE: Refer to the **INSTALLATION AND STABILITY WARNINGS** in the **SAFETY SUMMARY** of this manual.*

1. Hold the Infinity Back up to the back canes at the approximate installation height.
2. Visually inspect each side of the Infinity Back to see if the width hardware is set at the appropriate height to match the clamp installation and/or the back cane configuration.
3. Perform one (1) of the following:

CORRECT HEIGHT - Adjust the width of the width hardware. Refer to **ADJUSTING THE MOUNTING HARDWARE WIDTH** in this procedure of the manual.

INCORRECT HEIGHT - Adjust the height of the width hardware. Refer to **ADJUSTING THE MOUNTING HARDWARE HEIGHT** in this procedure of the manual.

Adjusting the Mounting Hardware Height

1. Remove the two (2) mounting screws from the width bracket.
2. Align the opening in the width bracket with either the UPPER or LOWER set of mounting holes.
3. Loosely install the two (2) mounting screws into the desired set of mounting holes as shown in **FIGURE 3**.
4. Adjust the width of the Infinity Back. Refer to **ADJUSTING THE MOUNTING HARDWARE WIDTH** in this procedure of the manual.

Adjusting the Mounting Hardware Width

1. Hold the Infinity Back up to the back canes at the approximate installation height.

CAUTION

There should be a gap no larger than 1/16-inch between the depth hardware and the cane clamps, otherwise damage to the Infinity Back may occur. (FIGURE 3)

2. Visually inspect each side of the Infinity Back to see if the depth hardware touches the cane clamps on both back canes as shown in **FIGURE 3**.
3. Perform one (1) of the following:
CORRECT WIDTH - Proceed to **STEP 6**.
INCORRECT WIDTH - Proceed to **STEP 4**.

4. If necessary, loosen, but do not remove the two (2) mounting screws securing each upper width bracket to the back frame.
5. Slide the upper width brackets **IN** or **OUT** until the mounting pins fit flush into both upper (swivel) cane clamps and the depth hardware touches the cane clamps as shown in **FIGURE 3**.
6. Install the Infinity Back onto the wheelchair. Refer to **INSTALLING/REMOVING THE INFINITY BACK** in **PROCEDURE 3** of this manual.
7. Torque the two (2) mounting screws on each of the four (4) width brackets to 45-50 in./lbs. to secure them at the appropriate adjustment point.

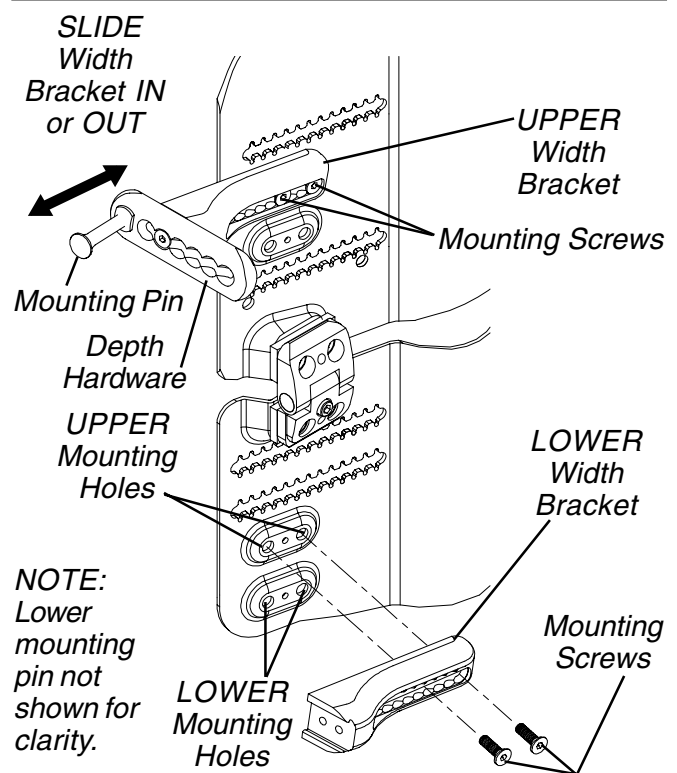
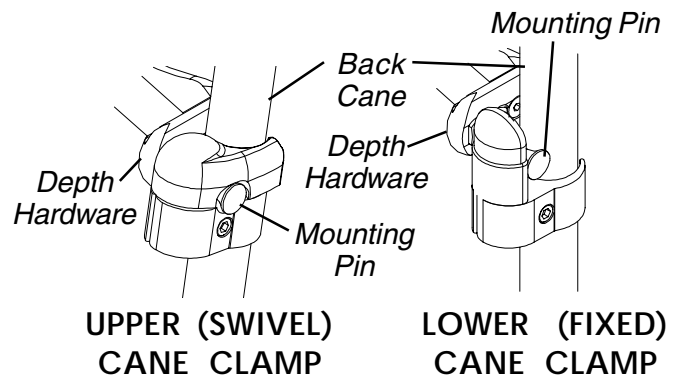


FIGURE 3 - ADJUSTING THE WIDTH HARDWARE

PREPARING THE BACK

This Procedure includes the following:
Installing/Removing the Infinity Back

INSTALLING/REMOVING THE INFINITY BACK (FIGURE 1)

*NOTE: Refer to the **INSTALLATION AND STABILITY WARNINGS** in the **SAFETY SUMMARY** of this manual.*

Installing the Infinity Back

1. Ensure the four (4) cane clamps are securely installed on the wheelchair frame. Refer to **INSTALLING/REMOVING CANE CLAMPS** in **PROCEDURE 1** of this manual.
2. If necessary, adjust the mounting hardware to fit the back canes. Refer to **ADJUSTING THE MOUNTING HARDWARE** in **PROCEDURE 2** of this manual.
3. Position the lower mounting pins between the lower (fixed) cane clamp flanges and the back canes. The mounting pins should be aligned with the groove in the flange as shown in **FIGURE 1**.
4. Ensure the upper mounting pins are positioned on top of the upper (swivel) cane clamps.
5. Twist the clamp locks on the upper (swivel) cane clamps to the open position shown in **FIGURE 1**.

NOTE: Opening the clamp locks will cause the mounting pins to slide down into the upper (swivel) cane clamps.

6. Ensure the clamps locks on the upper (swivel) cane clamps are in the closed position shown in **FIGURE 1**. If necessary, close the clamp locks.

*NOTE: It may be necessary to adjust the cane clamp height. Refer to **ADJUSTING CANE CLAMP HEIGHT** in **PROCEDURE 4** of this manual.*

7. Ensure all cushions and lateral supports have been installed. Refer to **PROCEDURE 2 - PREPARING THE INFINITY BACK FOR INSTALLATION** in this manual.
8. Position the user into the wheelchair to determine which adjustments need to be made to properly fit the Infinity Back. Refer to the wheelchair owner's manual.
9. Remove the user from the wheelchair. Refer to the wheelchair owner's manual.
10. Perform the following procedures to adjust the Infinity Back to fit the wheelchair and the user if necessary. Refer to **PROCEDURE 4 - ADJUSTING THE INFINITY BACK** in this manual.
 - A. **ADJUSTING THE HINGE/ANGLE (DUALFLEX ONLY)**
 - B. **ADJUSTING THE DEPTH HARDWARE**
 - C. **ADJUSTING THE LATERAL SUPPORTS**

NOTE: Perform the above procedures in the order listed.

11. Inspect all mounting screws to ensure ALL hardware has been tightened securely. Torque to 45-50 in./lbs.
12. Position the user in the wheelchair. Refer to the wheelchair owner's manual.
13. Visually inspect the user, the back and the wheelchair to ensure all adjustments have been properly made.
14. If necessary, repeat **STEPS 9-13** until the user is comfortable.

Removing the Infinity Back

NOTE: The wheelchair should be unoccupied for this procedure.

1. Twist the upper (swivel) cane clamp locks in the open position to release the upper mounting pins (**FIGURE 1**).
2. Lift the Infinity Back upwards to remove the lower mounting pins from the lower (fixed) cane clamps.

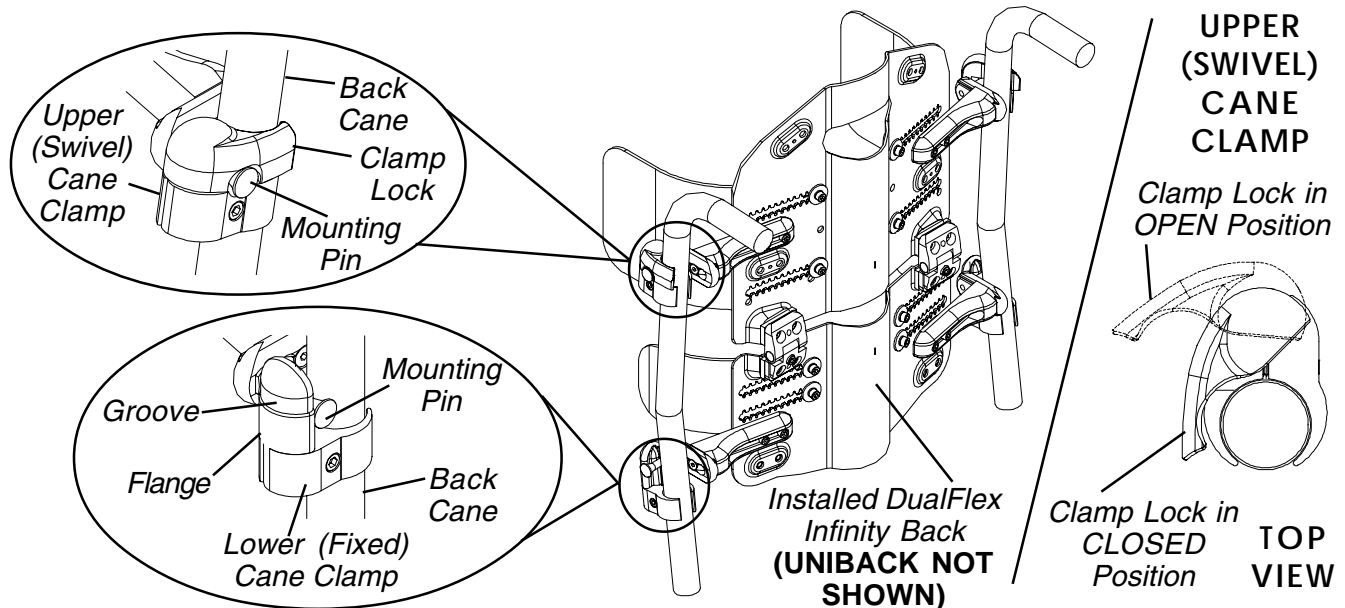


FIGURE 1 - INSTALLING/REMOVING THE INFINITY BACK

This Procedure includes the following:

- Adjusting Cane Clamp Height
- Adjusting the Hinge/Angle (DualFlex ONLY)
- Adjusting the Depth Hardware
- Adjusting the Lateral Supports

WARNING

For proper installation of the Infinity Back and to reduce the risk of pressure sores, the adjustment procedures below **MUST** be performed in the following order:

1. Adjusting the Mounting Hardware
2. Adjusting the Hinge/Angle (DUALFLEX ONLY)
3. Adjusting the Depth Hardware
4. Adjusting the Lateral Pads

*NOTE: To simplify the adjustment procedures, remove the back from the wheelchair. Refer to **INSTALLING/REMOVING THE INFINITY BACK** in **PROCEDURE 3** of this manual.*

NOTE: After performing each procedure, reinstall the back, place the user in the wheelchair and inspect to ensure the correct adjustments have been made for user comfort. If necessary, repeat the procedure until the user is comfortable.

ADJUSTING CANE CLAMP HEIGHT (FIGURE 1)

*NOTE: Refer to the **INSTALLATION AND STABILITY WARNINGS** in the **SAFETY SUMMARY** of this manual.*

1. Loosen the mounting screw on the cane clamp.
2. Slide the cane clamp and if necessary, the insert inside the cane clamp, up or down to the desired position.
3. Torque the mounting screw to 45-50 in./lbs.
4. Repeat **STEPS 1-3** for the remaining clamps, if necessary.

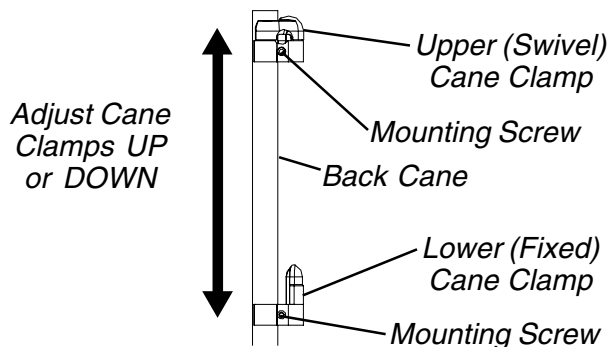


FIGURE 1 - ADJUSTING CANE CLAMP HEIGHT

ADJUSTING THE HINGE/ANGLE (DUALFLEX ONLY)

*NOTE: Refer to the **INSTALLATION AND STABILITY WARNINGS** in the **SAFETY SUMMARY** of this manual.*

*NOTE: The following procedures apply to the DualFlex ONLY. If installing/adjusting a UniBack proceed to **ADJUSTING THE LATERAL PADS** in this procedure of the manual.*

NOTE: Both hinges should be adjusted to have fixed angles OR both hinges should be adjusted to have Dynamic Flex angles.

Adjusting the Angle (FIGURE 2)

1. Loosen the adjustment screws on both hinges.
2. Grasp and hold the top of the upper back panel and bottom of the lower back panel.
3. Push or pull to adjust the angle of the back to the desired angle.
4. Torque the adjustment screws on both hinges to 45-50 in./lbs.
5. Install the Infinity Back onto the wheelchair. Refer to **INSTALLING/REMOVING THE INFINITY BACK** in **PROCEDURE 3** of the manual.
6. Adjust the lateral supports. Refer to **ADJUSTING THE LATERAL SUPPORTS** in this procedure of the manual.

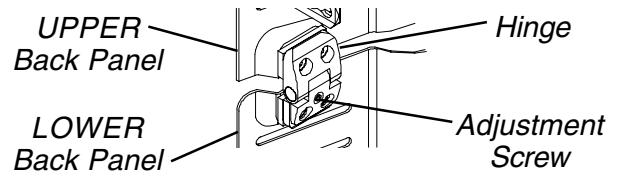


FIGURE 2 - ADJUSTING THE HINGE (DUALFLEX ONLY) - ADJUSTING THE ANGLE

Converting Dynamic Flex Hinges to Fixed Angle Hinges (FIGURE 3)

1. Remove the four (4) long mounting screws securing the hinge to the back panels.
2. Remove the elastomers, spacers and washers.

NOTE: Save the long mounting screws, elastomers, spacers and washers for future conversion to Dynamic Flex.

3. Position the hinge on the back, aligning the hinge mounting holes with the back panel mounting holes as shown in **FIGURE 3**.
4. Install the four (4) short mounting screws. Torque to 45-50 in./lbs.
5. Repeat **STEPS 1-4** for opposite hinge.
6. Adjust the angle of the hinge. Refer to **ADJUSTING THE ANGLE** in this procedure of the manual.
7. Adjust the lateral supports. Refer to **ADJUSTING THE LATERAL SUPPORTS** in this procedure of the manual.

ADJUSTING

Converting Fixed Angle Hinges to Dynamic Flex Hinges (FIGURE 3)

1. Remove the four (4) short mounting screws securing the hinge to the back panels.

NOTE: Save the short mounting screws for future conversion to fixed angle hinges.

2. Position the elastomers, spacers and washers as shown in **FIGURE 3**.

NOTE: Ensure all mounting holes are aligned.

3. Align the hinge with the mounting holes on each back panel.
4. Install the four (4) long mounting screws. Torque to 45-50 in./lbs.
5. Adjust the lateral supports. Refer to **ADJUSTING THE LATERAL SUPPORTS** in this procedure of the manual.

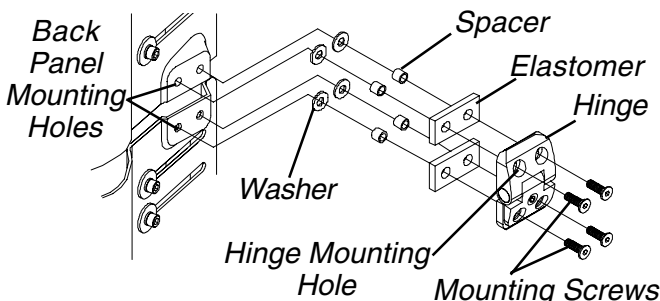


FIGURE 3 - ADJUSTING THE HINGE (DUALFLEX ONLY) - CONVERTING HINGES

ADJUSTING THE DEPTH HARDWARE (FIGURE 4)

*NOTE: Refer to the **INSTALLATION AND STABILITY WARNINGS** in the **SAFETY SUMMARY** of this manual.*

1. Ensure all cushions have been installed on the Infinity Back. Refer to **INSTALLING/REMOVING CUSHIONS** in **PROCEDURE 2** of this manual.
2. Hold the Infinity Back up to the wheelchair.
3. Visually inspect the Infinity Back and the wheelchair to determine the desired depth.
4. Loosen the mounting screw in the depth bracket.
5. Slide the depth bracket until the mounting screw is positioned in the desired adjustment hole.

NOTE: The width bracket has two (2) mounting holes. It may be necessary to move the mounting screw to the other hole to achieve the desired depth.

6. Torque mounting screw to 45-50 in./lbs. to secure depth bracket to width bracket.
7. Perform one (1) of the following:
DUALFLEX - Adjust the hinge and/or angle of the back, if present. Refer to **ADJUSTING THE HINGE/ANGLE** in this procedure of the manual.

UNIBACK - Proceed to **ADJUSTING THE LATERAL SUPPORTS** in this procedure of the manual.

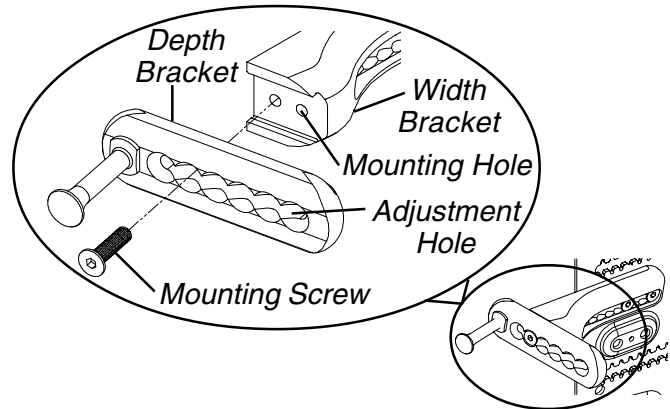


FIGURE 4 - ADJUSTING THE DEPTH HARDWARE

ADJUSTING THE LATERAL SUPPORTS (FIGURE 5)

*NOTE: Refer to the **INSTALLATION AND STABILITY WARNINGS** in the **SAFETY SUMMARY** of this manual.*

NOTE: Lateral supports include the lateral thoracic supports and the pelvic stabilizers.

Adjusting the Width

1. Visually inspect the orientation of one (1) curved washer on one (1) lateral support.
2. Perform one (1) of the following:
 - A. Curved washer oriented as shown in **DETAIL "A"** of **FIGURE 5** - Perform the following steps:
 - a. Loosen, but do not remove the mounting screw.
 - b. Proceed to **STEP 3**.
 - B. Curved washer oriented as shown in **DETAIL "B"** of **FIGURE 5** - Perform the following steps:
 - a. Hold the mounting screw with the threads UP.
 - b. Position the tooth lock washer on the mounting screw.
 - c. Position the curved washer on the mounting screw so that the bent portion is **TOWARD** the head of the mounting screw as shown in **DETAIL "A"** of **FIGURE 5**.
 - d. Loosely install the mounting screw with washers through the adjustment slot and into the lateral support.
3. Repeat **STEPS 1-2** for the other mounting screw on the same lateral support.
4. Repeat **STEPS 1-3** for the remaining lateral supports which need adjustment.
5. Position the user in the wheelchair.

6. Slide one (1) lateral support to the desired location.
7. Visually inspect the adjustment slot to find proper location for the curved washer.
8. Remove one (1) mounting screw, tooth lock washer and curved washer.
9. Hold the mounting screw with the threads UP.
10. Position the tooth lock washer on the mounting screw.
11. Position the curved washer on the mounting screw so that the bent portion is toward the threaded end of the mounting screw.
12. Install the mounting screw with washers through the toothed adjustment slot and into the lateral support.
13. Torque the mounting screw to 45-50 in./lbs., ensuring the curved washer is seated properly in the toothed adjustment slot shown in **FIGURE 5**.
14. Repeat **STEPS 8-13** for the remaining mounting screw on the lateral support.
15. Repeat **STEPS 6-14** for the remaining lateral supports.

Adjusting the Height

NOTE: Both sets of lateral supports can be adjusted to three (3) different height positions.

1. Remove the two (2) mounting screws, tooth lock washers and curved washers securing the lateral support to the Infinity Back.
2. Hold one (1) mounting screw with the threads UP.
3. Position the tooth lock washer on the mounting screw.
4. Position the curved washer on the mounting screw so that the bent portion is TOWARD the head of the mounting screw as shown in **DETAIL "A"** of **FIGURE 5**.
5. Repeat **STEPS 2-4** for the remaining mounting screw and washers.
6. Position the lateral support in the upper, middle or lower position, aligning the mounting holes of the support with the adjustment slot in the Infinity Back as shown in **DETAIL "B"** of **FIGURE 5**.

NOTE: The grooves next to the mounting holes in the lateral support are provided to align lateral supports on either side of the Infinity Back. Look through the toothed adjustment slot to see which mounting hole has been used and use the corresponding mounting hole on the opposite lateral support if desired.

7. Loosely install the two (2) mounting screws and washers to secure the supports to the back as shown in **DETAIL "B"** of **FIGURE 5**.

NOTE: The curved washer should be facing away from the Infinity Back for ease of adjustment.

8. Adjust the width of the lateral supports. Refer to **ADJUSTING THE WIDTH** in this procedure of the manual.

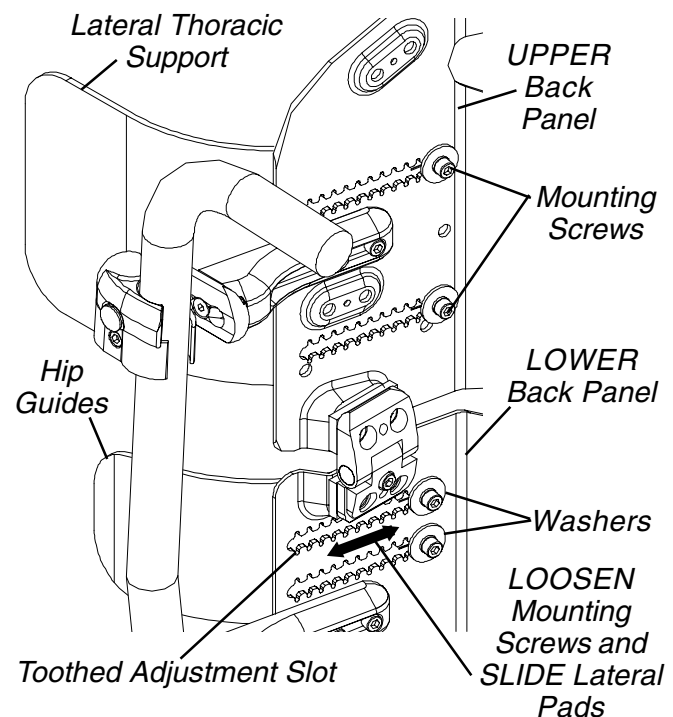
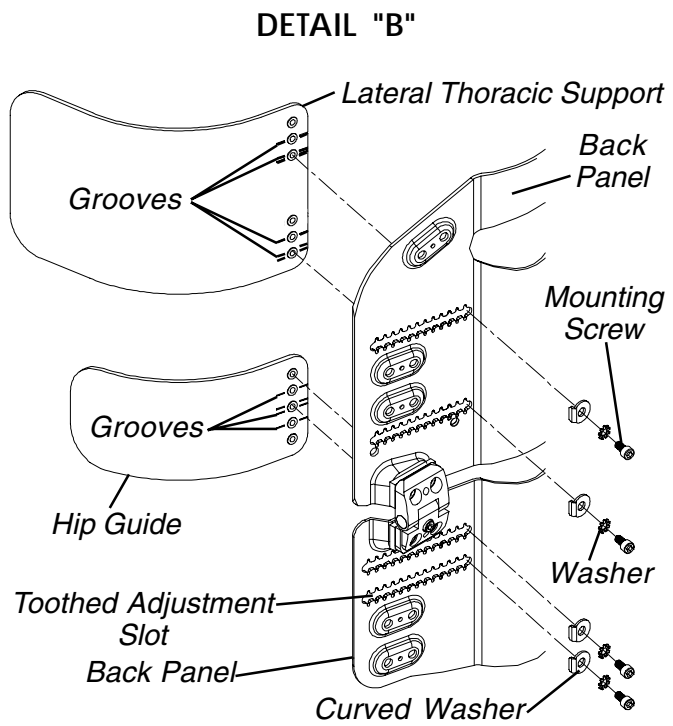
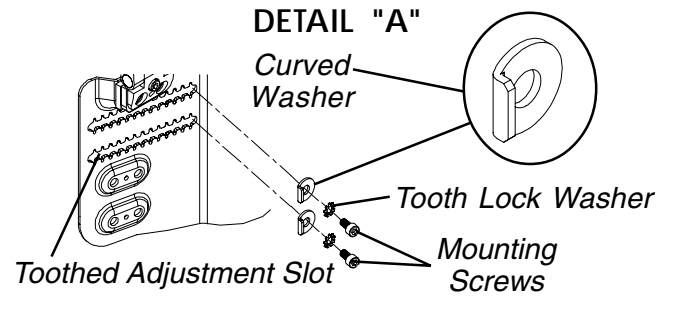


FIGURE 5 - ADJUSTING THE LATERAL SUPPORTS

<i>This Procedure includes the following:</i>
<i>Installing/Removing Cushion Foam</i>
<i>Inspection</i>
<i>Cleaning</i>

INSTALLING/REMOVING CUSHION FOAM

*NOTE: Refer to the **INSTALLATION AND STABILITY WARNINGS** in the **SAFETY SUMMARY** of this manual.*

Installing/Removing Back Cushion Foam (FIGURE 1)

INSTALLING.

1. Remove the back cushion from the back panel(s). Refer to **INSTALLING/REMOVING CUSHIONS** in **PROCEDURE 2** of this manual.
2. Position the back cushion on a flat surface.
3. Pull the top flap UP and the bottom flap DOWN.
4. Slide the top of the cushion foam inside the cushion cover.
5. Ensure the bottom and sides of the cushion foam are behind the elastic strips on either side of the cushion cover.
6. Install the cushion onto the Infinity Back. Refer to **INSTALLING/REMOVING CUSHIONS** in **PROCEDURE 2** of this manual.

REMOVING.

1. Remove the back cushion from the back panel(s). Refer to **INSTALLING/REMOVING CUSHIONS** in **PROCEDURE 2** of this manual.
2. Pull the top flap UP and the bottom flap DOWN.
3. Grasp the cushion foam and remove it from the back cover.

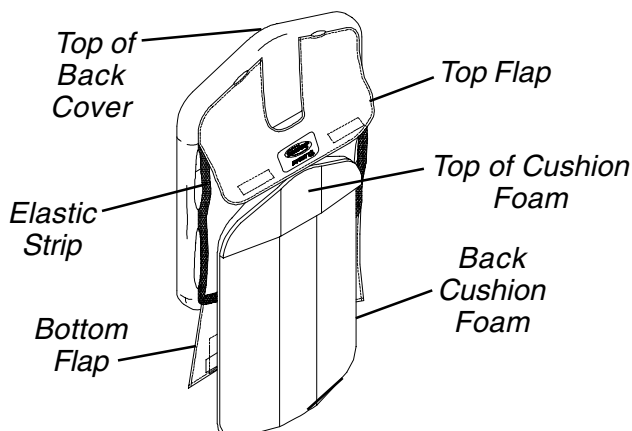


FIGURE 1 - REMOVING/INSTALLING BACK CUSHION FOAM

Installing/Removing Lateral Support Cushion Foam (FIGURE 2)

INSTALLING.

1. Remove the lateral support cushion from the lateral support. Refer to **INSTALLING/REMOVING CUSHIONS** in **PROCEDURE 2** of this manual.
2. Position the cushion cover on a flat surface with the pocket facing UP as shown in **FIGURE 2**.
3. Pull up and hold the upper flap.
4. Slide the larger end of the cushion foam into the opening in the cushion cover.
5. Pull down and hold the lower flap.
6. Insert the tapered end of the cushion foam into the cushion cover.

REMOVING.

1. Remove the lateral support cushion from the lateral support. Refer to **INSTALLING/REMOVING CUSHIONS** in **PROCEDURE 2** of this manual.
2. Position the cushion cover as shown in **FIGURE 2**.
3. Pull up and hold the upper flap on the pocket side of the cushion cover.
4. Pull down the lower flap.
5. Grasp the cushion foam and remove it from the cushion cover.

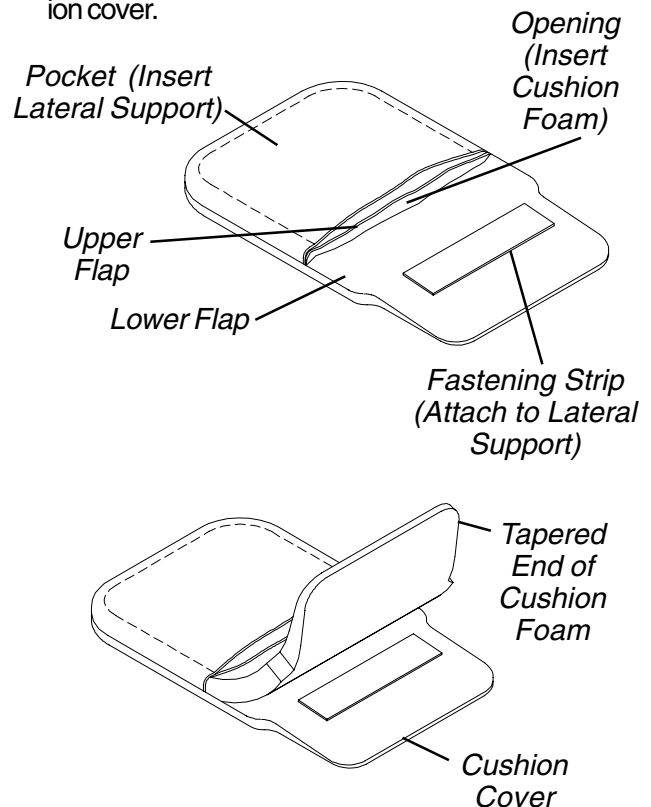


FIGURE 2 - REMOVING/INSTALLING LATERAL SUPPORT CUSHION FOAM

Installing/Removing Adjustable Positioning Pad (UNIBACK ONLY) (FIGURE 3)

INSTALLING.

1. Lift the top flap up and pull the bottom flap down on the back cushion cover.
2. Grasp the cushion and pull upwards to remove the cushion from the back.
3. Align the fastening strips on the adjustable positioning pad with the fastening strips on the back cushion foam as shown in **FIGURE 3**.
4. Press the adjustable positioning pad firmly against the back cushion foam to secure.
5. Install the back cushion onto the Infinity Back. Refer to **INSTALLING/REMOVING CUSHIONS** in **PROCEDURE 2** of this manual.

NOTE: The adjustable positioning pad may be adjusted to different heights according to the needs of the user. It may be necessary to trim the adjustable positioning pad to fit the wheelchair or the user.

NOTE: It may be necessary to place the user in the wheelchair with the back cushion installed to determine the final location of the adjustable positioning pad.

REMOVING.

1. Lift the top flap up and pull the bottom flap down on the back cushion cover.
2. Grasp the cushion and pull upwards to remove the cushion from the back.
3. Grasp the adjustable positioning pad and pull to release the fastening strips.
4. Install the back cushion onto the Infinity Back. Refer to **INSTALLING/REMOVING CUSHIONS** in **PROCEDURE 2** of this manual.

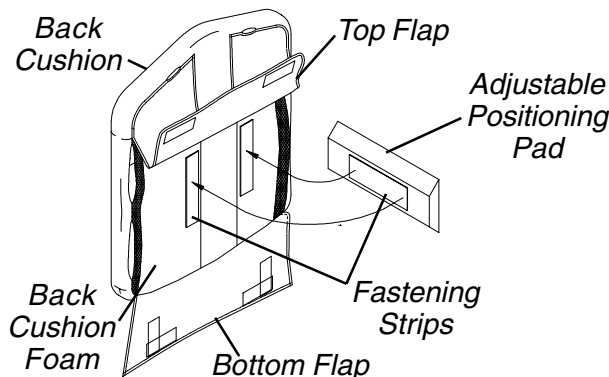


FIGURE 3 - INSTALLING/REMOVING ADJUSTABLE POSITIONING PAD (UNIBACK ONLY)

INSPECTION

WARNING

DO NOT continue to use this product if any of the following problems as described are discovered. Corrective maintenance can be performed at or arranged through your equipment supplier.

1. **Initially and once a week**, visually inspect all parts, including hardware, upholstery materials, foams (if accessible), and plastics for deformation, corrosion, breakage, wear and/or compression.
2. Check ALL fasteners weekly to ensure that mechanical connections are secure.

WARNING

Skin condition should be checked very frequently after the installation and use of any new seating system.

CLEANING

Cover

1. Machine wash the covers **once a week**.

CAUTION

MACHINE WASH back cover and lateral support covers in cold water on gentle cycle using a mild detergent. **DO NOT** use fabric softeners or bleach. **DO NOT** machine dry. **Air dry ONLY**. **DO NOT** dry in sun.

Foam

If the back cushion foam becomes contaminated because of moisture, the back cushion should be replaced immediately.

LIMITED WARRANTY

PLEASE NOTE: THE WARRANTY BELOW HAS BEEN DRAFTED TO COMPLY WITH FEDERAL LAW APPLICABLE TO PRODUCTS MANUFACTURED AFTER JULY 4, 1975.

This warranty is extended only to the original purchaser/user of our products.

This warranty gives you specific legal rights and you may also have other legal rights which vary from state to state.

Invacare warrants its products to be free from defects in materials and workmanship for use by the original purchaser for a period of two (2) years from the date of purchase on the back and ninety (90) days from the date of purchase on the cover. If within such warranty period any such product shall be proven to be defective, such product shall be repaired or replaced, at Invacare's option. This warranty does not include any labor or shipping charges incurred in replacement part installation or repair of any such product. Invacare's sole obligation and your exclusive remedy under this warranty shall be limited to such repair and/or replacement.

For warranty service, please contact the dealer from whom you purchased your Invacare product. In the event you do not receive satisfactory warranty service, please write directly to Invacare at the address at the bottom of this page. Provide dealer's name, address, date of purchase, indicate nature of the defect and, if the product is serialized, indicate the serial number. Do not return products to our factory without our prior consent.

LIMITATIONS AND EXCLUSIONS: THE FOREGOING WARRANTY SHALL NOT APPLY TO SERIAL NUMBERED PRODUCTS IF THE SERIAL NUMBER HAS BEEN REMOVED OR DEFACED, PRODUCTS SUBJECTED TO NEGLIGENCE, ACCIDENT, IMPROPER OPERATION, MAINTENANCE OR STORAGE, COMMERCIAL OR INSTITUTIONAL USE, PRODUCTS MODIFIED WITHOUT INVACARE'S EXPRESS WRITTEN CONSENT INCLUDING, BUT NOT LIMITED TO, MODIFICATION THROUGH THE USE OF UNAUTHORIZED PARTS OR ATTACHMENTS; PRODUCTS DAMAGED BY REASON OF REPAIRS MADE TO ANY COMPONENT WITHOUT THE SPECIFIC CONSENT OF INVACARE, OR TO A PRODUCT DAMAGED BY CIRCUMSTANCES BEYOND INVACARE'S CONTROL, AND SUCH EVALUATION WILL BE SOLELY DETERMINED BY INVACARE. THE WARRANTY SHALL NOT APPLY TO PROBLEMS ARISING FROM NORMAL WEAR OR FAILURE TO ADHERE TO THESE INSTRUCTIONS.

THE FOREGOING WARRANTY IS EXCLUSIVE AND IN LIEU OF ALL OTHER EXPRESS WARRANTIES. IMPLIED WARRANTIES, IF ANY, INCLUDING THE IMPLIED WARRANTIES OF MERCHANTABILITY AND FITNESS FOR A PARTICULAR PURPOSE, SHALL NOT EXTEND BEYOND THE DURATION OF THE EXPRESSED WARRANTY PROVIDED HEREIN AND THE REMEDY FOR VIOLATIONS OF ANY IMPLIED WARRANTY SHALL BE LIMITED TO REPAIR OR REPLACEMENT OF THE DEFECTIVE PRODUCT PURSUANT TO THE TERMS CONTAINED HEREIN. INVACARE SHALL NOT BE LIABLE FOR ANY CONSEQUENTIAL OR INCIDENTAL DAMAGES WHATSOEVER.

THIS WARRANTY SHALL BE EXTENDED TO COMPLY WITH STATE/PROVINCIAL LAWS AND REQUIREMENTS.



INVACARE CORPORATION • ONE INVACARE WAY • P.O. Box 4028 • Elyria, Ohio 44036-2125
Phone 1-(800)-333-6900 • Technical Support 1-800-832-4707

INVACARE CANADA • 5970 Chedworth Way • Mississauga, Ontario, L5R 3T9 • Canada
Phone (905) 890-8838

Free Manuals Download Website

<http://myh66.com>

<http://usermanuals.us>

<http://www.somanuals.com>

<http://www.4manuals.cc>

<http://www.manual-lib.com>

<http://www.404manual.com>

<http://www.luxmanual.com>

<http://aubethermostatmanual.com>

Golf course search by state

<http://golfingnear.com>

Email search by domain

<http://emailbydomain.com>

Auto manuals search

<http://auto.somanuals.com>

TV manuals search

<http://tv.somanuals.com>