



REHAB
Seating & Positioning



HCPCS Code = E2607, E2608 (Gentle Contour)

The Invacare® InTouch™ Flovair™ seat cushion was developed to provide pelvic stability, leg positioning and pressure management for patients with postural asymmetry and skin integrity concerns. It incorporates a fluid overlay used in tandem with the ThinAir™ liner. This allows for pelvic immersion while minimizing overall product weight. The insert's unique channeling method limits the amount of fluid migration, thus decreasing the chances for "bottoming out." The Flovair is a great choice for neuromuscular, TBI or SCI clients without significant obliquity.

HCPCS Code = E2611

The Invacare® InTouch™ Propel™ Back, the general purpose back support so lightweight and comfortable consumers will forget it's there. Hardware installation is no longer a hassle: just grab it, set it and go. The rigid shell coupled with a soft contoured foam cushion provides gentle support and facilitates postural symmetry. The Propel provides a stable surface for propulsion and completion of daily living activities. Consumers will leave ordinary back upholstery in the past when they try the new InTouch Propel.

HCPCS Code =E2607, E2608 (Gentle Contour) E2605 (Max Contour)

The Invacare® InTouch™ Stabilite™ seat cushion was developed to provide pelvic stability and leg positioning for patients with postural asymmetry. The Stabilite comes fitted with a ThinAir™ liner, a unique comfort layer that assists in redistributing peak pressures away from bony prominences.



© 2007 Invacare Corporation.
 All rights reserved. Trademarks are identified by the symbols ™ and ®. All trademarks are owned by or licensed to Invacare Corporation unless otherwise noted.
 Specifications are subject to change without notification.

Invacare® Rehab Seating & Positioning Products

With the number of new seating and positioning products available today, it's only natural to choose the products that you know best. Invacare seating and positioning products offer a clinical benefit while making life more comfortable for the consumer. This catalog is your source for Invacare seating and positioning products.

Whether it's the comfort and style of an Absolute™ cushion, or the revolutionary InTouch™ Flovair™ and Stabilite™, Invacare seating and positioning products provide optimal solutions, for any individual's seating needs. Not only do Invacare products raise the benchmark in functionality and comfort for the consumer, but they also ensure that all providers can have confidence in our quality products.

For your convenience, we have included a perforated Off-the-Shelf Product Guide that can be easily torn-off and used for reference. Post it on the wall, place it in a binder or keep it with you as you travel to see clients. However you decide to use it, we hope it helps in choosing Invacare products.

Invacare is committed to providing you with products that exceed your expectations. As the landscape of seating changes, Invacare's dedication to innovation, quality and, most of all, your comfort, will stay the same.



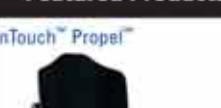
Off-the-Shelf (OTS) Product Guide*
Invacare® Seat Cushions

Invacare's recommended seat and back cushions

TEAR ALONG THIS EDGE

HCPCS Code	HCPCS Code Description	Qualifying Diagnosis (Short List)	Featured Products	Available Products
E2601	General Use Wheelchair Seat Cushion, Width Less Than 22", Any Depth	Not Specified		E2601 Absolute™ Single Density
E2602	General Use Wheelchair Seat Cushion, Width 22" or Greater, Any Depth			E2602 Single Density
E2603	Skin Protection Wheelchair Seat Cushion, Width Less Than 22", Any Depth	Spinal Cord Injury (paraplegia, quadriplegia), Other Spinal Cord Disease, Multiple Sclerosis, Cerebral Palsy, Amyotrophic Lateral Sclerosis, Post Polio, Traumatic Brain Injury, Spina Bifida, Childhood Cerebral Degeneration, Alzheimer's Disease, Parkinson's Disease		E2603 Infinity® Lo Contour ViscoFoam Infinity® Lo Contour FloGel™ Comfort-Mate Extra
E2604	Skin Protection Wheelchair Seat Cushion, Width 22" or Greater, Any Depth			E2604 Infinity® Lo Contour ViscoFoam Infinity® Lo Contour FloGel™ Comfort-Mate Extra
K0734	Adjustable Skin Protection Wheelchair Seat Cushion, Width Less Than 22", Any Depth	Spinal Cord Injury (paraplegia, quadriplegia), Other Spinal Cord Disease, Multiple Sclerosis, Cerebral Palsy, Amyotrophic Lateral Sclerosis, Post Polio, Traumatic Brain Injury, Spina Bifida, Childhood Cerebral Degeneration, Alzheimer's Disease, Parkinson's Disease		K0735/K0734 Infinity® Lo Contour AirFlo™
K0735	Adjustable Skin Protection Wheelchair Seat Cushion, Width 22" or Greater, Any Depth			
E2605	Positioning Wheelchair Seat Cushion, Width Less Than 22", Any Depth	Spinal Cord Injury (paraplegia, quadriplegia), Cerebral Palsy, Paralysis, Post Polio, Amyotrophic Lateral Sclerosis, Monoplegia of Lower Limb, Hemiplegia, Muscular Dystrophy, Alzheimer's Disease, Spina Bifida, Multiple Sclerosis		E2605 InTouch™ Stabilite™ Max Contour Ulti-Mate®
E2606	Positioning Wheelchair Seat Cushion, Width 22" or Greater, Any Depth			E2606 Ulti-Mate®
E2607	Skin Protection & Positioning Wheelchair Seat Cushion, Width Less Than 22", Any Depth	Spinal Cord Injury (paraplegia, quadriplegia), Other Spinal Cord Disease, Multiple Sclerosis, Cerebral Palsy, Post Polio, Traumatic Brain Injury, Spina Bifida, Amyotrophic Lateral Sclerosis, Alzheimer's Disease, Parkinson's Disease, 'Monoplegia of Lower Limb, 'Hemiplegia, 'Muscular Dystrophy		E2607 InTouch™ Flovair™ Gentle/Max Contour InTouch™ Stabilite™ Gentle Contour Infinity® Gentle/Max Contour ViscoFoam Infinity® Gentle/Max Contour FloGel™ InTouch™ TargIT™
E2608	Skin Protection & Positioning Wheelchair Seat Cushion, Width 22" or Greater, Any Depth			E2608 InTouch™ Flovair™ Gentle Contour InTouch™ Stabilite™ Gentle Contour Infinity® Gentle/Max Contour ViscoFoam Infinity® Gentle/Max Contour FloGel™ InTouch™ TargIT™
K0736	Adjustable Skin Protection & Positioning Wheelchair Seat Cushion, Width Less Than 22", Any Depth	Spinal Cord Injury (paraplegia, quadriplegia), Other Spinal Cord Disease, Multiple Sclerosis, Cerebral Palsy, Post Polio, Traumatic Brain Injury, Spina Bifida, Amyotrophic Lateral Sclerosis, Alzheimer's Disease, Parkinson's Disease, ' Monoplegia of Lower Limb, 'Hemiplegia, 'Muscular Dystrophy		K0737/K0736 Infinity® Gentle/Max Contour AirFlo™
K0737	Adjustable Skin Protection & Positioning Wheelchair Seat Cushion, Width 22" or Greater, Any Depth			

Invacare Back Cushions

HCPCS Code	HCPCS Code Description	Qualifying Diagnosis (Short List)	Featured Products	Available Products
E2611	General Use Wheelchair Back Cushion, Width Less Than 22", Any Height, Including Any Type Mounting Hardware	Not Specified		E2611 InTouch™ Propel™
E2612	General Use Wheelchair Back Cushion, Width 22" or Greater, Any Height, Including Any Type Mounting Hardware			E2612 Curved Back
E2615	Positioning Wheelchair Back Cushion, Posterior-Lateral, Width Less Than 22", Any Height, Including Any Type Mounting Hardware	Spinal Cord Injury (paraplegia, quadriplegia), Cerebral Palsy, Paralysis, Post Polio, Amyotrophic Lateral Sclerosis, Monoplegia of Lower Limb, Hemiplegia, Muscular Dystrophy, Alzheimer's Disease, Spina Bifida, Multiple Sclerosis		E2615 Infinity® DualFlex™10 Personal Back™10 Personal Back™10 Plus
E2616	Positioning Wheelchair Back Cushion, Posterior-Lateral, Width 22" or Greater, Any Height, Including Any Type Mounting Hardware			E2616 Infinity® DualFlex™10 Personal Back™10 Personal Back™10 Plus

* Providers are responsible for determining the appropriate billing codes when submitting claims to the Medicare Program and should consult an attorney or other advisor to discuss specific situations in further detail. This information is subject to change without notice.
 † Qualifying diagnosis code requires additional provision for decubitus ulcer (707.03, 707.04, 707.05)



Specifications*

Stabilite/Flovair Cushions (page 3 and page 4)

Seat width	15" – 24" Gentle 15" – 20" Max
Seat depth	15" – 22" Gentle 15" – 20" Max
Product weight	3.05 lb. Stabilite 4.20 lb. Flovair
Weight capacity	15" – 20" 250 lb. 21" – 24" 350 lb.
Limited warranty	2 years

TargIT™ (page 5)

Seat width	15" – 24"
Seat depth	15" – 22"
Product weight	3 lb.
Weight capacity	15" – 20" W 300 lb. 21" – 24" W 500 lb.
Limited warranty	2 years

* All weights/measurements are approximate

Infinity Cushions (page 6)

	Lo Contour	Gentle Contour	Max Contour
Seat width	13" – 22"	13" – 22"	13" – 22"
Seat depth	15" – 20"	15" – 20"	15" – 20"
Product weight	4 lb.	4 lb.	4 lb.
Weight capacity	250 lb.	250 lb.	250 lb.
Limited warranty	2 years	2 years	2 years

Propel™ Back (page 7)

Width range	16" – 21" (1" increments)
Product height	16.5"
Depth adjust	1.75"
Angle adjust	+/-27°
Product weight	4 lb.
Weight capacity	300 lb.
Limited warranty	2 years

*All weight/measurements are approximate

Personal Backs (page 8)

	Personal Back™10	Personal Back™10 Plus
Back height		
13" – 14" widths	14", 16"	14", 16"
15" – 26" widths	16", 19"	16", 19"
Back width	13" – 20", 22", 24", 26"	13" – 20", 22", 24", 26"
Product weight		
13" – 20" widths	5 lb.	6 lb.
22" – 26" widths	10 lb.	11 lb.
Weight capacity		
13" – 20" widths	250 lb.	250 lb.
22" – 26" widths	500 lb.	500 lb.
Limited warranty	2 years	2 years



Invacare Corporation
www.invacare.com

USA
One Invacare Way
Elyria, Ohio
44036-2125
(800) 333-6900

Canada
Invacare Canada Inc.
570 Matheson Blvd E
Unit 8
Mississauga Ontario
L4Z 4G4 Canada

© 2007 Invacare Corporation.

All rights reserved. Trademarks are identified by the symbols ™ and ©. All trademarks are owned by or licensed to Invacare Corporation unless otherwise noted.

Specifications are subject to change without notification.

© 2007 Invacare Corporation.

Form No. 06-043 Rev. 04/07

Table of Contents

Invacare® Cushions 1-7

Absolute™ 1

Comfort-Mate Extra 2

Stabilite™ 3

Flovair™ 4

TargIT™ 5

Infinity® Cushions 6

Invacare® Backs 7-8

Propel™ 7

Personal Back™ 10 8

Personal Back 10 Plus..... 8

Accessories 9-10

Specifications 11



Invacare® Absolute™ Series: Simple seating solutions for comfort, fit and function.

For clients with mild to moderate seating needs, the Invacare® Absolute™ Series cushions offers a wide range of simple, but highly functional solutions. The Absolute cushion is designed to provide comfort at an affordable price.

HCPSC Code = E2601



InTouch® Absolute™ Cushion (formerly Essential™ Cushion)

Model no. EC

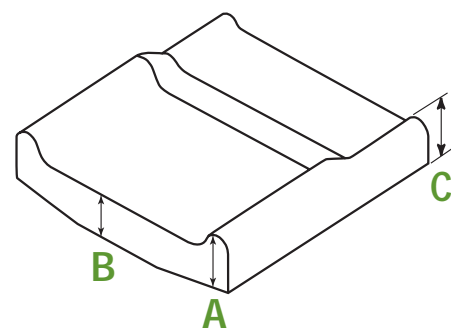
- Molded polyurethane foam provides comfort and durability
- Breathable, water repellant cover
- Non-slip bottom with hook and loop fasteners keeps cushion securely in place
- Six sizes from 16" x 16" to 20" x 18"
- Shaped cushion bottom for use on taught sling upholstery

Application Guide

- Comfort
- Adults and geriatrics, primarily comfort, able to do own weight shift for pressure relief
- Good rental wheelchair cushion

Comfort Thickness

- A. Height at adductor 3.25"
- B. Height at abductor 2.25"
- C. Height at rear 2"



The Invacare Comfort-Mate Extra cushion goes one step further with a comfortable, molded design and a durable moisture-resistant coating.

HCPSC Code = E2603, E2604



InTouch® Comfort-Mate Extra Cushion

Model no. CMEX

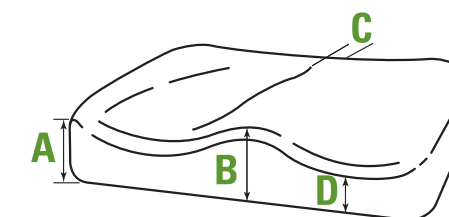
- Low profile, lightweight cushion designed for long-term sitting comfort
- Comfortable, molded dual-firmness polyurethane foam promotes good postural position
- Moisture-resistant coating seals and protects foam from moisture; easily wipes clean
- Breathable, water repellant cover
- Beveled sides coupled with a firm base for stability and a soft outer layer for comfort
- A great fit for the Infinity® Drop Base to get your desired seat-to-floor

Application Guide

- Comfort stability and gentle positioning
- Adolescents through geriatrics with long-term comfort needs, who are able to do own weight shift for pressure relief
- Good long-term care facility wheelchair cushion

Comfort Thickness

- A. Height at adductor 2.625"
 - B. Height at abductor 3.0"
 - C. Height at rear 1.75"
 - D. Height at leg trough 2.25"
- Cushion weight approximately 2.3 lb.
(18" x 16" cushion w/cover)



HCPCS Code = E2607, E2608 (Gentle Contour)
E2605 (Max Contour)



InTouch™ Stabilite™

"Stable + Light"

Model no. ITSG, ITSM

The Stabilite™ seat cushion was developed to provide pelvic stability and leg positioning for patients with postural asymmetry. The Stabilite comes fitted with a patent-pending ThinAir™ liner, a unique comfort layer that assists in redistributing peak pressures away from bony prominences. The Stabilite is a great choice for geriatric or CVA clients.

Features

- Positioning foam base
- +
- ThinAir™ liner
- Gentle/Max contour

Functional Benefits

- Supports the pelvis and thighs; helps to prevent adduction and internal rotation
- Helps reduce shear
- Contour choices based on involvement level

HCPCS Code = E2607, E2608



InTouch™ Flovair™

"Fluid over Air"

Model no. ITFG, ITFM

The Flovair™ seat cushion was developed to provide pelvic stability, leg positioning and pressure management for patients with postural asymmetry and skin integrity concerns. It incorporates a fluid overlay used in tandem with the ThinAir™ liner. This allows for pelvic immersion while minimizing overall product weight. The insert's unique channeling method limits the amount of fluid migration, thus decreasing the chances for "bottoming out." The Flovair is a great choice for neuromuscular, TBI or SCI clients without significant obliquity.

Features

- Positioning foam base
- +
- Fluid + ThinAir™ liner
- +
- Gentle/Max contour

Functional Benefits

- Supports the pelvis and thighs; helps to prevent adduction and internal rotation
- Effectively redistributes pressure without weight penalty. Additional shear reduction as two layers work in harmony.
- Contour choices based on involvement level

Positioning Support Base

The larger the surface area, the lower the pressure. Our engineers put purpose behind the contouring of the InTouch base to mimic the shape of the seated human body. Leg troughs are slightly abducted. Soft foam envelops the IT's, coccyx and sacrum. Firmer foam supports the trochanters while preventing hammocking. Smooth, refined transitions are sculpted to replace steep ridges or uncomfortably placed abductors.

If the base isn't right, then nothing else matters!

Features

- Medial thigh support
- Raised adductors
- Sacral relief
- Pre-ischial elevation
- Lateral pelvic support
- Low profile

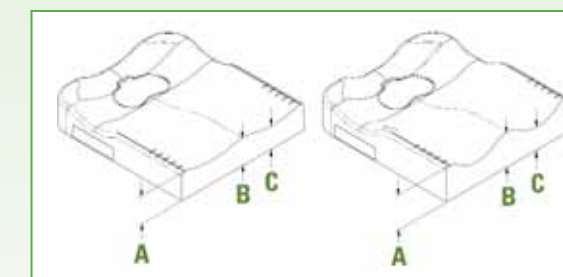
Functional Benefits

- Gentle control of mild adduction tendency
- Positioning guidance to maintain proper alignment of lower extremities
- Provides additional comfort and support for those sitting in anterior to posterior pelvic tilt
- Limits forward migration of pelvis and sliding out of position
- Intended to maintain pelvis in a centered position on the seat and provide lateral stability
- Reduces seat-to-floor height for foot propulsion and lateral transfers



Maximize surface area

Contour Thickness



	Gentle Contour	Max Contour
A. Height at adductor	3.5"	4.38"
B. Height at abductor	3.5"	4.38"
C. Height at leg trough	2.87"	2.88"

InTouch™ Flovair™/Stabilite™ Gentle Contour InTouch™ Flovair™/Stabilite™ Max Contour



InTouch™ TargIT™ Max and Gentle Contour Cushion

Invacare® InTouch™ TargIT™ is the industry standard for consumers who require moderate skin protection and positioning. The large, anatomically-shaped pelvic surface of the InTouch cushion eliminates the guesswork of placing a consumer in contact with pressure-relieving material. The construction of the InTouch TargIT incorporates an exclusive Blend₂™ foam molding technology that fuses the polyurethane base foam with visco-elastic pressure-relieving foam to eliminate transitional edges, providing worry-free fit and comfort.

Features

- Model no. ITTG, ITTM
- InTouch™ Zone technology
- Blend₂™ foam molding technology
- Sacral relief
- Gentle/Contour
- Bariatric sizes available

Contour Thickness

	Gentle Contour	Max Contour
A. Height at adductor	3.625"	4.35"
B. Height at abductor	3.625"	4.35"
C. Height at leg trough	2.50"	2.85"

Positioning Support Base

The support base of the TargIT cushion is constructed with molded polyurethane foam contoured to promote comfort, enhance positioning and prevent bottoming out.

Features:

- Medial Thigh Support (Abductor) - Gentle control of mild adduction tendency
- Raised Adductors - Positioning guidance to maintain proper alignment of lower extremities
- Mild Hip Guides - Adductors are extended posteriorly to keep user centered on cushion
- Pre-contoured sacral area - Provides additional comfort and support for those sitting in anterior to posterior pelvic tilt
- Pre-ischial shelf w/ 15° drafted edge - Limits forward migration of pelvis and sliding out of position
- Low profile (Gentle) - Reduces seat-to-floor height for foot propulsion and lateral transfers. Ideal for clients who require a mild to moderate level of postural support
- Deep IT relief well (Max) - Provides maximum pelvic immersion and control. Ideal for clients who require a moderate to high level of postural support

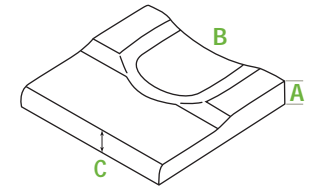
Functional Benefits:



Invacare® Single Density Cushion

Model no. SD

- Contoured deformation cut foam provides comfort and stability
- Available in over 100 custom sizes
- Water repellent cover with non-slip bottom



Cushion Thickness

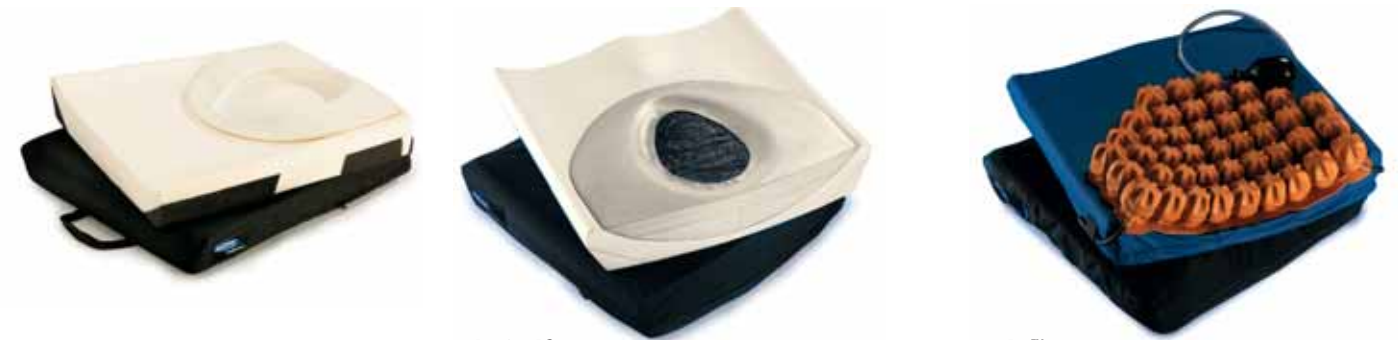
- A. Height at rear (adductor) 2"
- B. Height at rear (center) 1.5"
- C. Height at front 2.5"

Cushion weight approximately 2 lb.

Application

- Comfort
- Adult and geriatric, able to do own weight shift for pressure relief
- Good rental wheelchair cushion

Invacare® Infinity® Cushions



ViscoFoam

Model no. ILCVF, IGCVF, IMCVF

ViscoFoam is an excellent choice for clients who:

- Are at high risk of skin breakdown
- Require excellent support and stability
- Require a lightweight cushion

FloGel®

Model no. ILCFG, IGCFG, IMCFG

FloGel® is an excellent choice for clients who:

- Are at high risk of skin breakdown
- Require excellent support and stability
- Require a good dynamic shear reduction

AirFlo™

Model no. ILCAIR, IGCAIR, IMCAIR

AirFlo™ is an excellent choice for clients who:

- Have a history of or are considered to be at very high risk of skin breakdown
- Require an air flotation insert for immersion of bony prominences
- Require a postural support base for stability



LoContour

LoContour is an excellent choice for clients who:

- Have good postural control
- Have low to normal muscle tone
- Laterally transfer
- Foot propel



Gentle Contour

Gentle Contour is an excellent choice for clients who:

- Have moderate postural instability
- Require gentle control of tone
- Need moderate control of abduction/adduction tendency



Max Contour

Max Contour is an excellent choice for clients who:

- Require high level of postural control
- Need maximum control of tone
- Require optimal pressure reduction and redistribution

Introducing the Invacare® InTouch™ Propel™, the general purpose back support so lightweight and comfortable consumers will forget it's there. Hardware installation is no longer a hassle: just grab it, set it and go. The rigid shell coupled with a soft contoured foam cushion provides gentle support and facilitates postural symmetry. The Propel provides a stable surface for propulsion and completion of daily living activities. Consumers will leave ordinary back upholstery in the past when they try the new InTouch Propel.

HCPCS Code = E2611



1-handed quick release



Adjust depth/angle while client is seated



Fits 7/8" or 1" canes with no additional hardware.



Features

Model no. ITPR

- 4-way adjustability: height/width/depth/angle
- 1-handed quick release
- 1-tool assembly (7/8" wrench)
- 2-point mountings fit 7/8" to 1" canes
- 3-point comfort foam
- Adjustment while patient is seated

HCPCS Code = E2615, E2616

The Personal Back™10 and Personal Back™10 Plus combine simplicity of design with effectiveness of application. The highly popular Personal Back line continues to provide the comfort, postural support, and spinal alignment that you have come to expect.



Personal Back™10

Model no. PBR, PBT

The Personal Back10 is an excellent choice for clients who require comfort and stability with moderate midline support.

Features

- Lightweight aluminum shell
- Pre-contoured shell provides excellent contact and support
- Pre-drilled headrest pattern
- Quick Set™ hardware with increased adjustability
- Bariatric sizes available: 22", 24" and 26" widths at 500 lb. weight capacity



Personal Back™10 Plus

Model no. PPR, PPT

The Personal Back10 Plus is an excellent choice for clients who require comfort and stability with increased midline support. It often is recommended when using the foam-in-place kit.



Lightweight, durable, aluminum shell is pre-contoured to provide excellent contact and support.



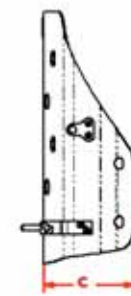
Pre-drilled headrest mounting pattern accommodates most major manufacturers' headrest systems.



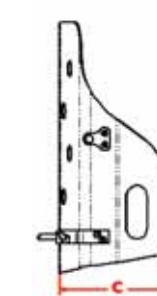
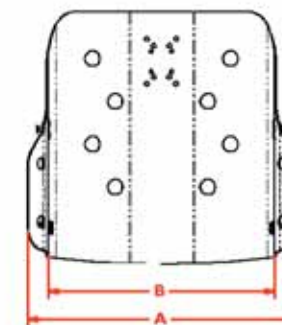
Deep lateral contour of the Personal Back10 Plus provides increased midline support without interfering with upper extremity range of motion.

Dimensions

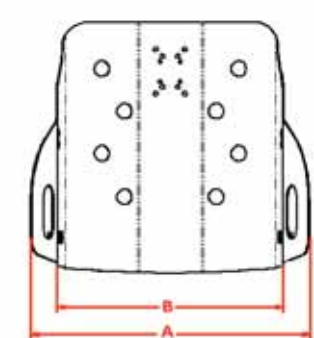
All measurements in inches.



Personal Back™10



Personal Back™10 Plus



Personal Back™10

Width	13"	14"	15"	16"	17"	18"	19"	20"	22"	24"	26"
A	12.25	12.25	13.25	13.25	14.25	14.25	15.25	15.25	16.25	16.25	17.25
B	9.50	10.50	11.50	12.50	13.50	14.50	15.50	16.50	18.50	20.50	22.50
C	5.00	5.25	5.50	5.50	5.75	5.75	6.00	6.00	6.50	6.75	7.25

Personal Back™10 Plus

Width	13"	14"	15"	16"	17"	18"	19"	20"	22"	24"	26"
A	13.00	13.00	14.00	14.00	15.00	15.00	16.00	16.00	17.00	17.00	18.00
B	9.50	9.50	10.50	10.50	11.50	11.50	12.50	12.50	13.50	13.50	14.50
C	6.75	7.00	7.25	7.25	7.50	7.50	7.75	7.75	8.25	8.5	8.75

Personal Back Back Heights

Width	Regular	Tall
13" - 14"	14"	16"
15" - 26"	16"	19"



◀ Cushion Rigidizer

- Lightweight plastic seat insert
- Securely attaches to bottom of cushion inside cover
- Fits between seat rails for level support
- Eliminates hammock effect of seat upholstery

Adjustable Headrests ▶

- Contoured head and neck supports available in four styles
- Dual-ball swivel hardware for multi-plane adjustment
- Durable steel reinforced polyurethane pads - easily wipe clean



◀ Infinity® Drop Base

- Width adjustable: Three sizes fit wheelchairs from 14" to 22" wide
- Height and angle adjustable: Up to 2" of drop provided
- Portable quick-release hardware allows easy removal of base from wheelchair



Basic Headrest ▶

- Padded to provide comfortable occipital support
- Horizontal and vertical adjustable hardware
- Outer cover easily removes for laundering



◀ Foam-In-Place Kit

- Easy-to-use Foam-in-Place kit provides custom foam mold insert in minutes
- Can be used with Personal Back™10/Personal Back™10 Plus



◀ Full Tray - Hook and Loop Mount

- Break-resistant clear polycarbonate tray surface
- Easily attaches to chair armrest with hook and loop straps
- Removable trim allows thorough cleaning

Belts and Straps ▶

- Three sizes of shoulder supports fit child, junior and adult
- Three sizes of padded lap belts fit child, junior and adult - pinch release buckles
- Push-button style release provides secure attachment
- Three sizes of four-point lap belt to fit child, junior and adult - push button release buckle



◀ Full Tray - Slide-on Mount

- Break-resistant clear polyester resin tray surface
- Width adjustable mounting hardware securely fastens tray to chair arm pads
- Molded-in rim helps keep items on tray



Half Tray - Swingaway ▶

- Break-resistant clear polycarbonate tray surface
- Tray securely bolts to wheelchair armrest
- Tray easily swings away when not in use



Free Manuals Download Website

<http://myh66.com>

<http://usermanuals.us>

<http://www.somanuals.com>

<http://www.4manuals.cc>

<http://www.manual-lib.com>

<http://www.404manual.com>

<http://www.luxmanual.com>

<http://aubethermostatmanual.com>

Golf course search by state

<http://golfingnear.com>

Email search by domain

<http://emailbydomain.com>

Auto manuals search

<http://auto.somanuals.com>

TV manuals search

<http://tv.somanuals.com>