

Formula™ CG Tilt Manual Center Mount Front Rigging



Yes, you can!

Assembly, Installation and Operating Instructions

Model No: CTMT-F, CTMT-FJ, CTMT-FL

SAVE THESE INSTRUCTIONS

NOTE: Check all parts for shipping damage. In case of shipping damage, DO NOT use. Contact Carrier/Dealer for further instruction.

Safety Summary

To ensure the safe and proper installation of the Manual Center Mount Front Rigging, these instructions **MUST** be followed:

⚠ WARNING

DO NOT install this equipment without first reading and understanding this instruction sheet. If you are unable to understand the warnings, cautions and instructions, contact a healthcare professional, dealer or technical personnel if applicable, before attempting to install this equipment - otherwise, injury or damage may occur.

This procedure **MUST** be performed by a qualified technician.

Make sure power to the wheelchair is **OFF** before performing these procedures.

⚠ INSTALLATION WARNING

After any adjustments, repair or service and before use, make sure all attaching hardware is securely tightened.

⚠ ACCESSORIES WARNING

Invacare products are specifically designed and manufactured for use in conjunction with Invacare accessories. Accessories designed by other manufacturers have not been tested by Invacare and are not recommended for use with Invacare products.

For more information regarding Invacare products, parts, and services,
please visit www.invacare.com

Description of Kit

NOTE: For this procedure, refer to FIGURE 1 on page 3.

NOTE: This kit is for TDX™ SP wheelchairs with Formula CG Tilt Seating System.

The Manual Center Mount Front Rigging includes the following items:

All Kits

ITEM	PART NO	DESCRIPTION	QUANTITY
1	1003545	Screw, ¼-20 X 1.25 Socket Head Cap	2
2	1038379	Screw, ¼-20 X 1.50 Socket Head Cap w/Patch	4
3	1047449	Spacer	4
4	1025195	Nut, ¼-20 Lock Hex	3
5	1120286	Cap, End Rail Side	2
6	1147091	Black Mounting Bracket - Long	1
6	1146336	Black Mounting Bracket	1
6	1147105	Black Mounting Bracket - Jr.	1
7	1121728	Weldment, Support Pan Seat	2
7	1147104	Weldment, Support Pan Seat - Jr.	2
8	1146347	Plug Support	2
9	1008495	Screw, ¼-20 X 1.50 Socket Button Head Cap	1
10	1125775	Black Mounting Bracket, Handle Release	1
11	1069724	T-Nut	1
12	1061922	Bolt, 5/16-18 X .50 Hex Head w/Patch	1
13	1113622	Assembly, Cable/Brake	1
14	1056087	Screw, 10-32 X .50 socket Head Cap	1
15	1086207	Nut, 10-32 Square Mach	1
16	1071736	Screw, 5/16 X 1.625 Socket Head Shoulder	1
17	1025736	Nut, ¼-20 Lock Hex	1
18	1113389	Housing, Ratchet	1
19	1113383	Bearing, Glide Delrin	2
20	98007x005	Tie Wrap	2
21	1113375	Pin, Rigging Pivot	1
22	1028527	Washer, #10 Lock HCHS	2
23	40163x008	Screw, 10-32 X .69 PH Pan Head Mach	2
24	REFERENCE	Assembly, Seat Adult	1
25	1117262	Center Mount Rigging: CTMT-F	1
25	1117263	Center Mount Rigging: CTMT-FJ	1
25	1121190	Center Mount Rigging: CTMT-FL	1

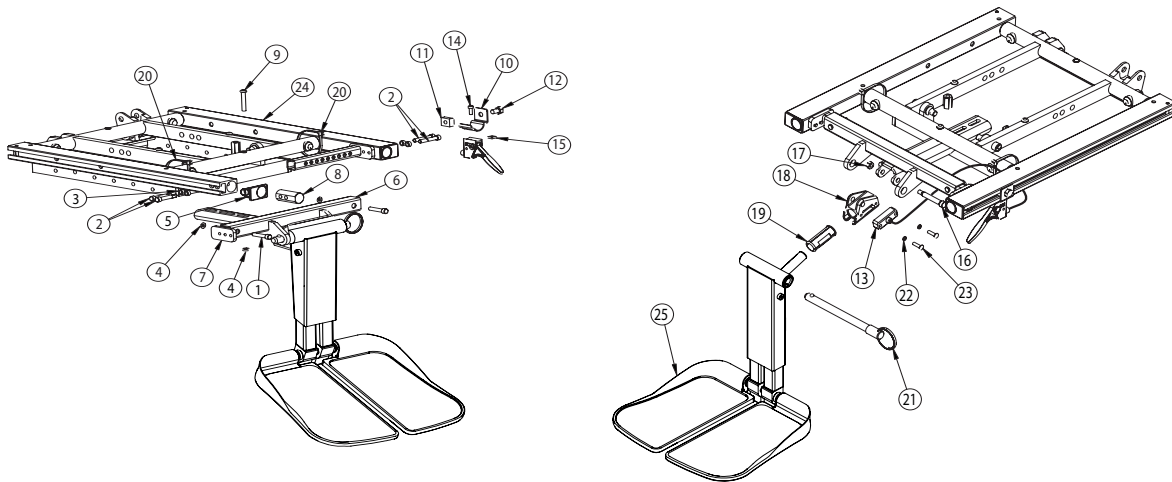


FIGURE 1 Description of Kit

Removing the Existing Front Rigging Support

NOTE: For this procedure, refer to FIGURE 2.

1. Remove the two cap screws, two spacers and threaded block securing the front rigging support to the side rail.
2. Remove the existing front rigging support.
3. Repeat STEP 1 and STEP 2 on the opposite side.
4. On the side of the wheelchair where the release handle will be mounted, remove the side rail end cap.

NOTE: T-nut will be installed on the same seat rail that the release lever will be mounted to.

5. Install the T-nut (not shown) into the slot in the side rail.
6. Slide the T-nut rearward.
7. Reinstall the side rail end caps.

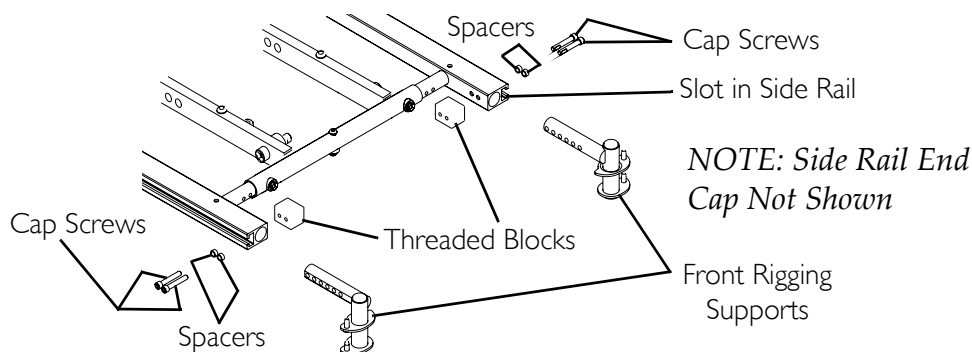


FIGURE 2 Removing the Existing Front Rigging Support

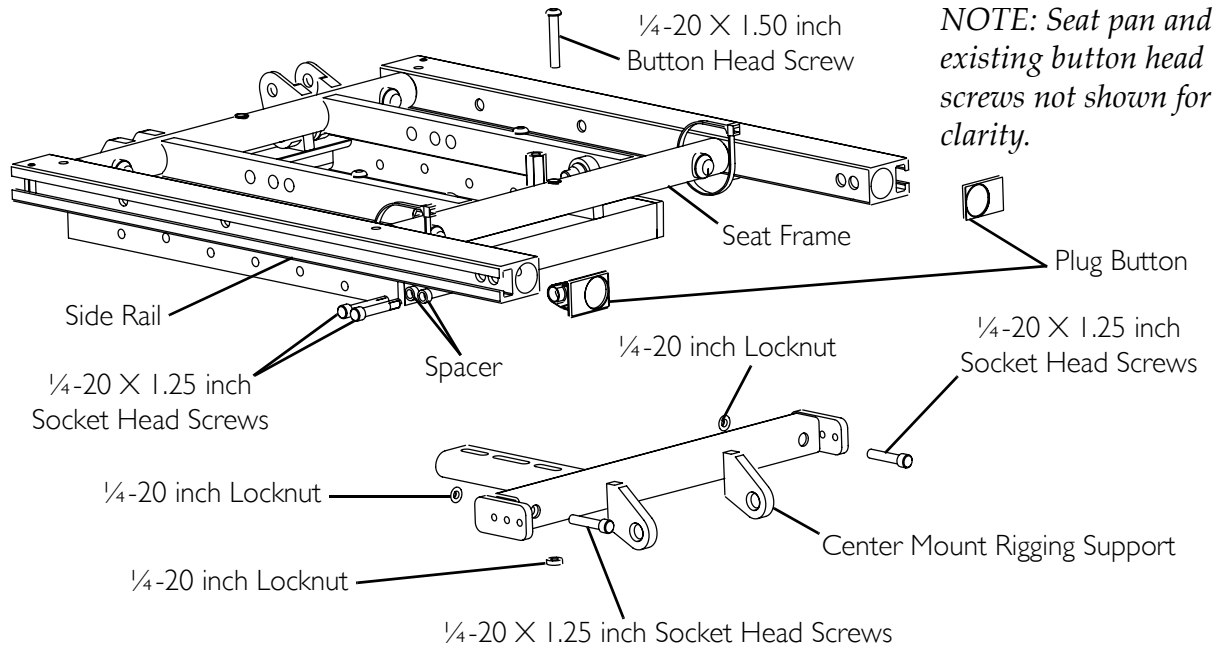
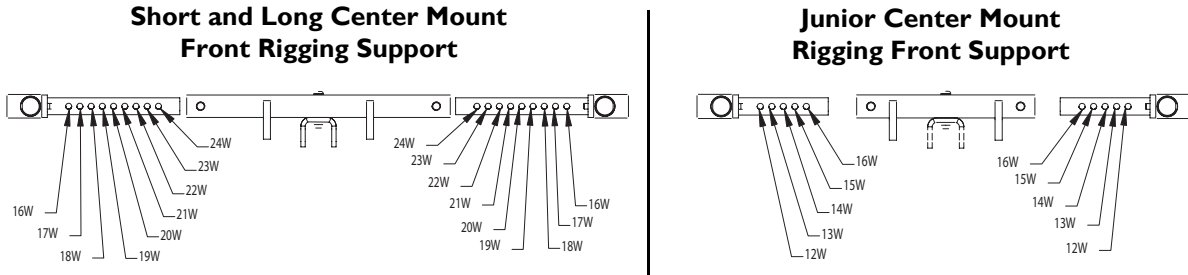
Installing the Center Mount Front Rigging Support

NOTE: For this procedure, refer to FIGURE 3 on page 5.

NOTE: Right and left sides of the wheelchair are from the perspective of the seated user in the wheelchair.

1. Remove the seat pan. Refer to the wheelchair owner's manual.
2. Install one plug button into each side rail.
3. If necessary perform the following to adjust the center mount rigging support width.
 - A. Measure distance between the seat rails.
 - B. Remove the two ¼-20 X 1.25 inch socket head cap screws and ¼-20 inch locknuts.
 - C. Position the two support extensions according to Detail "A".
 - D. Using the two ¼-20 X 1.25 inch socket head screws and ¼-20 inch locknuts, secure the two support extensions to the center mount rigging support.
4. Secure the left side of the center mount rigging support to the seat frame bracket using two ¼-20 X 1.50 inch socket head screws and two spacers. Torque to 79 in-lbs.
5. Secure the right side of the center mount rigging support to the seat frame using the remaining two ¼-20 X 1.50 inch socket head screws. Torque to 79 in-lbs.
6. Position the seat pan (not shown) onto the seat frame.
7. Secure the center mount rigging support to the seat pan and front of the seat frame using the new ¼-20 X 1.5 inch button head screw and new ¼-20 inch locknut.
8. Secure the rear of the seat pan (not shown) to the rear of the seat frame using the existing button head screw.

DETAIL "A"



NOTE: Seat pan and existing button head screws not shown for clarity.

FIGURE 3 Installing the Center Mount Front Rigging Support

Mounting the Release Lever Assembly to the Seat Frame

NOTE: For this procedure, refer to FIGURE 4.

NOTE: The release lever assembly consists of the release handle, cable and ratchet housing.

1. Insert the glide bearing into the ratchet housing.
2. Using the two 10-32 X .69 pan head screws and #10 lock washers, secure the cable/brake assembly to the ratchet housing. Torque to 32 in-lbs.
3. Secure the ratchet housing to the mounting bracket on the center mount front rigging support with the 5/16 X 1.625 inch socket head shoulder screw and 1/4-20 inch locknut provided (Detail "A"). Torque to 79 in-lbs.
4. Secure the release handle to the release handle mounting bracket with the 10-32 X .50 inch socket head screw and 10-32 inch square nut. Securely tighten.
5. Secure the release handle mounting bracket to the T-nut in the side rail with the 5/16-18 X .50 inch hex head bolt. Torque to 13 ft-lbs.
6. Tie-wrap cable as shown in Detail "A".

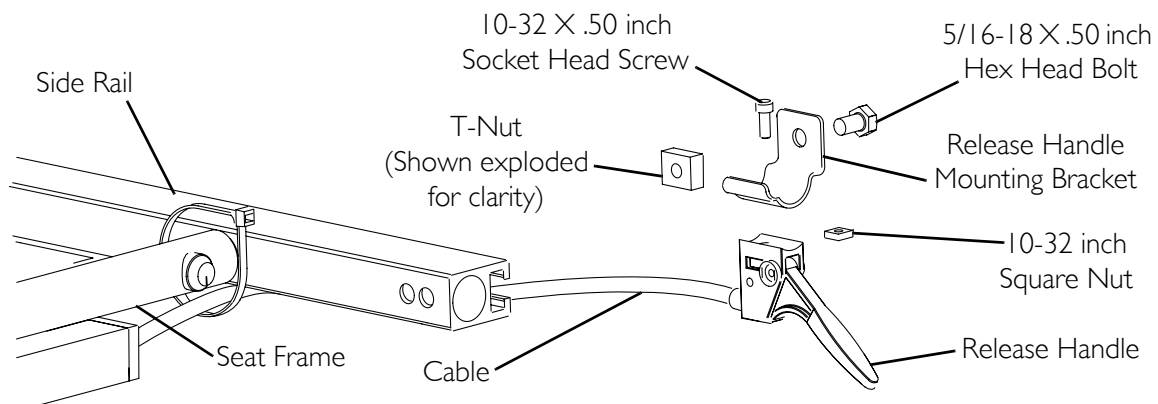
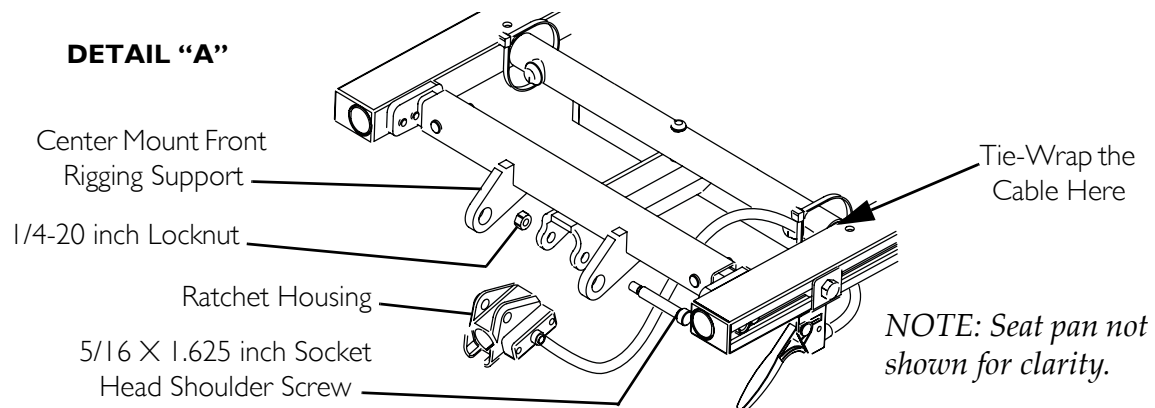


FIGURE 4 Mounting the Release Lever Assembly to the Seat Frame

Removing/Installing the Manual Center Mount Footrest

NOTE: For this procedure, refer to FIGURE 5.

Removing

1. Remove the rigging pivot pin that secures the footrest to the mounting bracket of the seat frame.
2. Hold the footrest with one hand and engage the release lever with the other while simultaneously pulling the center mount footrest out of the mounting bracket of the seat frame.

Installing

1. Engage the release lever with one hand, hold the center mount footrest with the other, and insert the center mount footrest into the mounting bracket of the seat frame.
2. Reinstall the rigging pivot pin to secure the center mount footrest to the mounting bracket of the seat frame.

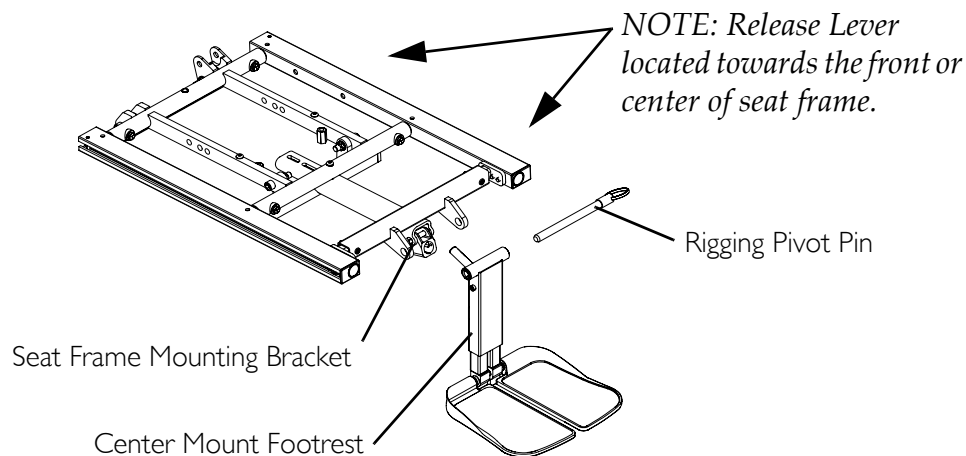


FIGURE 5 Removing/Installing the Manual Center Mount Footrest

Adjusting the Height of the Manual Center Mount Footrest

⚠ WARNING

While the wheelchair is moving, minimum ground clearance for the front rigging is three inches. If the wheelchair is not moving, the front rigging **MUST maintain a minimum of one inch ground clearance - otherwise personal injury and damage may result.**

NOTE: For this procedure, refer to FIGURE 6.

1. Loosen the two mounting screws that secure the button head cleat to the extension housing.
2. Adjust the footrest extension tube to the desired height.
3. Secure the extension tube to the desired height with the button head cleat and mounting screws. Securely tighten.
4. Repeat STEPS 1-3 for the other extension tube.

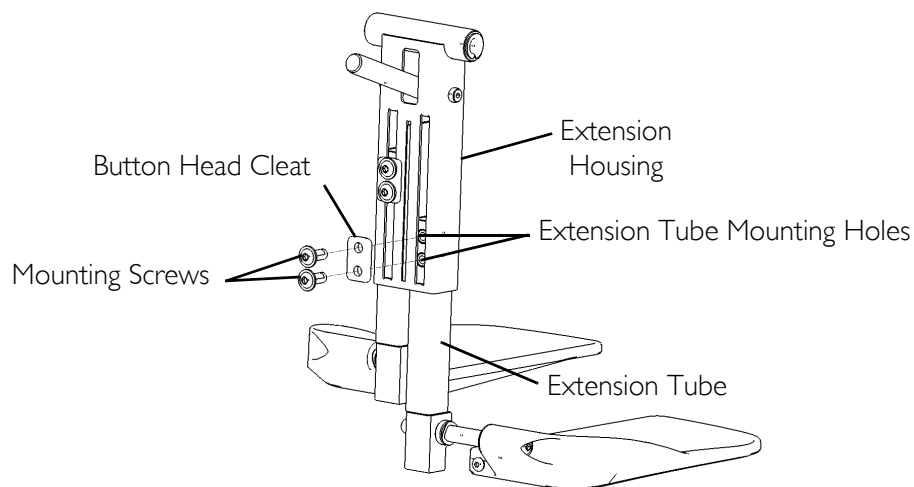


FIGURE 6 Adjusting the Height of the Manual Center Mount Footrest

Adjusting the Angle of the Manual Center Mount Footrest

⚠ WARNING

While the wheelchair is moving, minimum ground clearance for the front rigging is three inches. If the wheelchair is not moving, the front rigging **MUST maintain a minimum of one inch ground clearance - otherwise personal injury and damage may result.**

NOTE: For this procedure, refer to FIGURE 5 on page 7 and FIGURE 7.

1. Engage the release lever with one hand (not shown) and move the center mount footrest to the desired angle with the other hand.

NOTE: Refer to FIGURE 5 for the location of the release lever.

2. Disengage the release lever (not shown) to lock the center mount footrest in the new position.

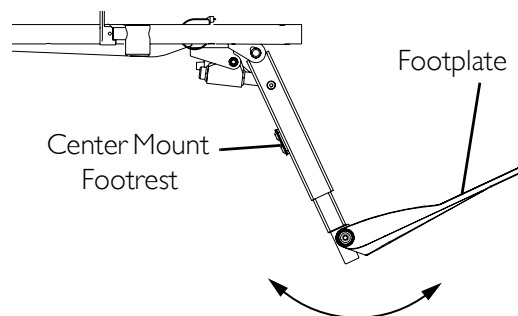


FIGURE 7 Adjusting the Angle of the Manual Center Mount Footrest

Adjusting the Footplate Angle

NOTE: For this procedure, refer to FIGURE 8.

1. Flip footplate up.
2. Screw the adjustment screw in or out until the desired angle is achieved.
3. Repeat STEPS 1 and 2 for the other footplate.

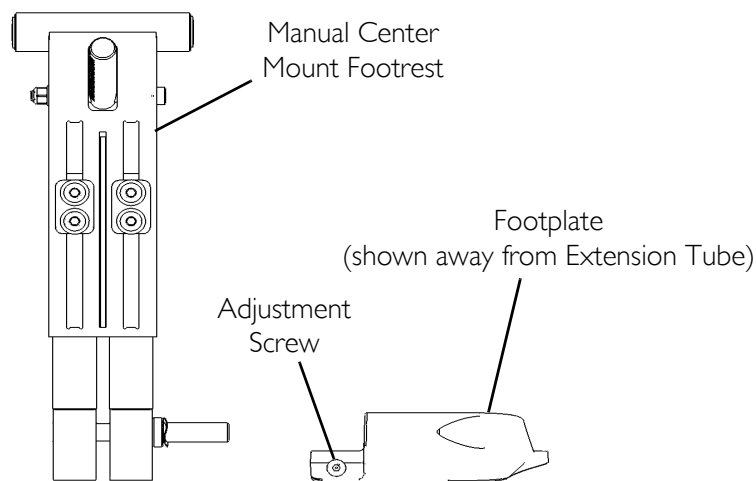


FIGURE 8 Adjusting the Footplate Angle

Adjusting the Tension of the Flip Up Footplate

NOTE: For this procedure, refer to FIGURE 9.

NOTE: The tension can be adjusted to increase or decrease the rotation effort of the flip up footplates.

1. Loosen the mounting screw on the front rigging angle hinge to decrease the rotation effort.

NOTE: DO NOT remove the footplate mounting screw.

2. Tighten the front rigging angle hinge mounting screw to increase the rotation effort.
3. Repeat STEPS 1 and 2 for the other footplate.

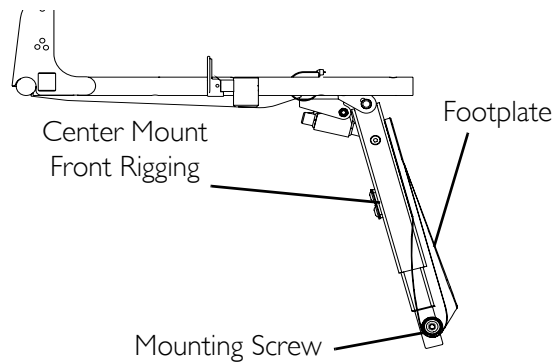


FIGURE 9 Adjusting the Tension of the Flip Up Footplate

LIMITED WARRANTY

PLEASE NOTE: THE WARRANTY BELOW HAS BEEN DRAFTED TO COMPLY WITH FEDERAL LAW APPLICABLE TO PRODUCTS MANUFACTURED AFTER JULY 4, 1975.

This warranty is extended only to the original purchaser/user of our products.

This warranty gives you specific legal rights and you may also have other legal rights which vary from state to state.

Invacare warrants its product to be free from defects in materials and workmanship for twelve months for the original purchaser. If within such warranty period any such product shall be proven to be defective, such product shall be repaired or replaced, at Invacare's option. This warranty does not include any labor or shipping charges incurred in replacement part installation or repair of any such product. Invacare's sole obligation and your exclusive remedy under this warranty shall be limited to such repair and/or replacement.

For warranty service, please contact the dealer from whom you purchased your Invacare product. In the event you do not receive satisfactory warranty service, please write directly to Invacare at the address on the back cover. Provide dealer's name, address, model number, and the date of purchase, indicate nature of the defect and, if the product is serialized, indicate the serial number.

Invacare Corporation will issue a return authorization. The defective unit or parts must be returned for warranty inspection using the serial number, when applicable, as identification within thirty (30) days of return authorization date. **DO NOT** return products to our factory without our prior consent. C.O.D. shipments will be refused; please prepay shipping charges.

LIMITATIONS AND EXCLUSIONS: THE FOREGOING WARRANTY SHALL NOT APPLY TO SERIAL NUMBERED PRODUCTS IF THE SERIAL NUMBER HAS BEEN REMOVED OR DEFACED, PRODUCTS SUBJECTED TO NEGLIGENCE, ACCIDENT, IMPROPER OPERATION, MAINTENANCE OR STORAGE, COMMERCIAL OR INSTITUTIONAL USE, PRODUCTS MODIFIED WITHOUT INVACARE'S EXPRESS WRITTEN CONSENT INCLUDING, BUT NOT LIMITED TO, MODIFICATION THROUGH THE USE OF UNAUTHORIZED PARTS OR ATTACHMENTS; PRODUCTS DAMAGED BY REASON OF REPAIRS MADE TO ANY COMPONENT WITHOUT THE SPECIFIC CONSENT OF INVACARE, OR TO A PRODUCT DAMAGED BY CIRCUMSTANCES BEYOND INVACARE'S CONTROL, AND SUCH EVALUATION WILL BE SOLELY DETERMINED BY INVACARE. THE WARRANTY SHALL NOT APPLY TO PROBLEMS ARISING FROM NORMAL WEAR OR FAILURE TO ADHERE TO THESE INSTRUCTIONS.

THE FOREGOING EXPRESS WARRANTY IS EXCLUSIVE AND IN LIEU OF ANY OTHER WARRANTIES WHATSOEVER, WHETHER EXPRESS OR IMPLIED, INCLUDING THE IMPLIED WARRANTIES OF MERCHANTABILITY AND FITNESS FOR A PARTICULAR PURPOSE, AND THE SOLE REMEDY FOR VIOLATIONS OF ANY WARRANTY WHATSOEVER, SHALL BE LIMITED TO REPAIR OR REPLACEMENT OF THE DEFECTIVE PRODUCT PURSUANT TO THE TERMS CONTAINED HEREIN. THE APPLICATION OF ANY IMPLIED WARRANTY WHATSOEVER SHALL NOT EXTEND BEYOND THE DURATION OF THE EXPRESS WARRANTY PROVIDED HEREIN. INVACARE SHALL NOT BE LIABLE FOR ANY CONSEQUENTIAL OR INCIDENTAL DAMAGES WHATSOEVER.

THIS WARRANTY SHALL BE EXTENDED TO COMPLY WITH STATE/PROVINCIAL LAWS AND REQUIREMENTS.



Yes, you can.®

Invacare Corporation www.invacare.com

USA
One Invacare Way
Elyria, Ohio USA
44036-2125
800-333-6900

Canada
570 Matheson Blvd E Unit 8
Mississauga Ontario
L4Z 4G4 Canada
800-668-5324

All rights reserved. Trademarks are identified by the symbols [™] and [®]. All trademarks are owned by or licensed to Invacare Corporation unless otherwise noted.

© 2008 Invacare Corporation

Part No 1145733

Rev C - 10/08



Free Manuals Download Website

<http://myh66.com>

<http://usermanuals.us>

<http://www.somanuals.com>

<http://www.4manuals.cc>

<http://www.manual-lib.com>

<http://www.404manual.com>

<http://www.luxmanual.com>

<http://aubethermostatmanual.com>

Golf course search by state

<http://golfingnear.com>

Email search by domain

<http://emailbydomain.com>

Auto manuals search

<http://auto.somanuals.com>

TV manuals search

<http://tv.somanuals.com>