

**Compass™ SPT™
Compass™ SPT™ Limited**



Yes, you can.™

Parts Catalog Usage Guide

The information contained in this document is subject to change without notice. This catalog contains service parts for Form No. 03-032. If you have any questions regarding this catalog, please contact one of our Customer Service Representatives.

For Customer Service Support Call:

1-800-333-6900

For Faxed In Orders Call:

1-800-678-4682 or

1-440-366-0709

For Technical Service Call:

1-800-832-4707

Literature Can Be Found at:

www.invacare.com or

1-800-828-6272

SYMBOL DEFINITION

Throughout this catalog you will notice letters to draw your attention to specific footnotes which are located at the bottom of the page or below specified charts.

Examples:

A,B,C etc. = Special Comments

NOTE: = General information pertaining to that specific page

NLA = No Longer Available

HARDWARE MEASUREMENTS

The measurements for the hardware will be listed as follows:

Screws, Bolts Diameter X Thread Count/Pitch X Length

Washers Inside Diameter X Outside Diameter X Thickness

Spacers Inside Diameter X Outside Diameter X Length

For your convenience, we have supplied an area for you to list your Invacare Representatives.

Name	Phone Numbers

©2007 Invacare Corporation. Elyria, Ohio. Invacare, Yes, you can., and the Medallion Design are registered trademarks and Compass and SPT are trademarks of Invacare Corporation. KIK is a registered trademark of KIK Technology, Inc. Natural Fit is a trademark of Three Rivers Out Front.

TABLE of CONTENTS

Description	Page Number
Accessories, Miscellaneous	60
Adjustable Height Back Canes and Hardware	24
Adult Tilt Foot Assist Option (ATFA)	61
Arms - "T" Arm	36
Arms - Adjustable Height	32
Arms - Arm Attaching Hardware	28
Arms - Cantilever (Compass Limited Only)	34
Arms - Fixed Height	30
Axles, Axle Hardware, and Anti-Tips	42
Back Canes and Backrest Hardware	22
Back Upholstery	26
Casters and Hardware	40
Crossbraces and Hardware	13
Footplate and Pivot Tube Assemblies - 1651 Composite	94
Footplate and Pivot Tube Assemblies - A1562 Aluminum	98
Footplate and Pivot Tube Assemblies - A1564 Extra Large Aluminum	101
Footplate and Pivot Tube Assemblies - AT5543 Adjustable Angle	104
Forks and Hardware	39
Frame Finishes and Touch-Up Paint	5
Frames and Frame Hardware (12" Rear Wheels)	9
Frames and Frame Hardware (20", 22", or 24" Rear Wheels)	11

TABLE of CONTENTS

Description	Page Number
Front Rigging - Articulating Legrest Support - ATL4A (Center Pivot)	89
Front Rigging - Articulating Legrest Support - PHAL4A (Pin Style)	76
Front Rigging - Footrest Support - PHW93 (Pin Style)	72
Front Rigging - Legrest Calf Pads and Ratchet Assembly	92
Front Rigging - Legrest Support - PH904A (Pin Style)	74
Front Rigging - Lift Off Footrest Support Assemblies	81
Front Rigging - Ratchet Style Legrest Support Assembly - AT5044 (Before 9/21/05)	83
Front Rigging - Swingaway Footrest Supports (60°, 70°, & 90°) (Center Pivot)	79
Front Rigging - Wedge Style Legrest Support Assembly - AT5044 (Intro. 9/21/05)	85
Handrims and Handrim Hardware	47
Handrims and Handrim Hardware - Natural Fit	48
Heel Loops and Toe Loops	109
Packaging, Literature, and Decals	7
Seat Pan, Seat Rails, Shrouds, and Hanger Brackets	16
Stroller Handle - Adjustable Angle (After 8/15/05)	65
Stroller Handle - Adjustable Angle (Before 8/16/05)	63
Stroller Handle - Non-Adjustable Rigidizing - 1483 (After 8/15/05)	70
Stroller Handle - Non-Adjustable Rigidizing - 1483 (Before 8/16/05)	67
Tilt Hardware	20
Wheel Lock - 12" Wheels (Pull to Lock)	52
Wheel Lock - 20", 22", & 24" Wheels (Push to Lock)	54

TABLE of CONTENTS

Description	Page Number
Wheel Lock - Hublock Retro-Fit Kits	58
Wheel Lock - Hublock, Cables and Hardware	56
Wheel Lock Attaching Hardware	50
Wheels without Handrims - Chairs without Hublocks	44
Wheels without Handrims with Hublock Hardware - Chairs with Hublocks	45

Frames Finishes and Touch-Up Paint

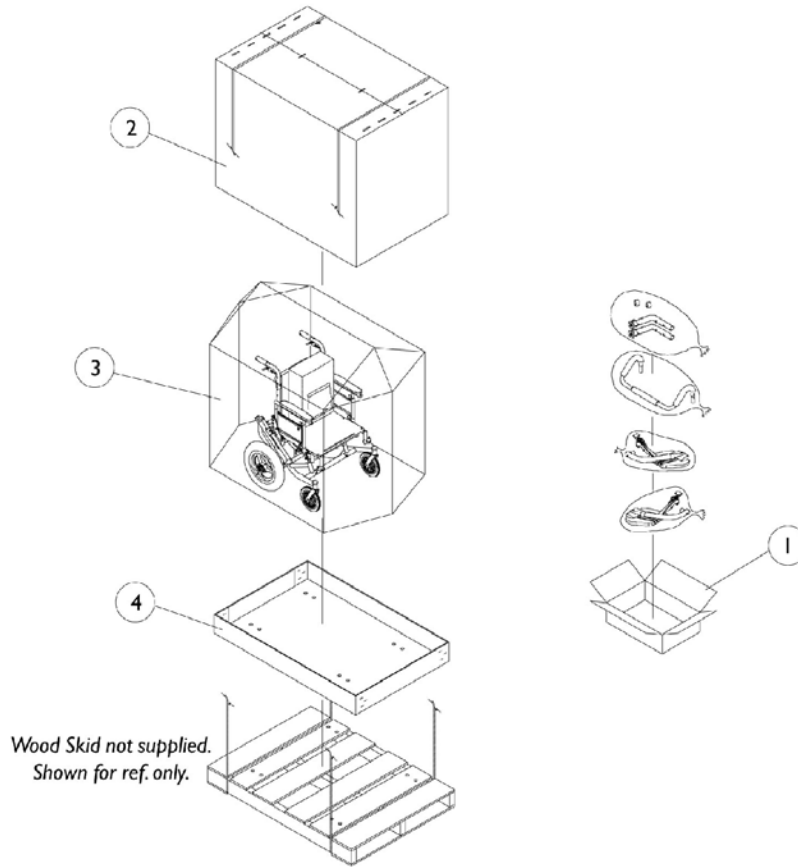
Contemporary Color Numbers	Touch-Up Paint (.6 oz.)	Color
22P	1033376	Anthracite
115P	1133371	Black Prism
66P	1046322	Electric Purple
80P	1073892	Evergreen with Navy
101P	1101325	Jeweled Green
105P	1101326	Midnight Blue
33P	1031455	Red
83P	1073895	Royal Blue with Grape
60P	1101318	Silver Metallic
71P	N/A	Silver Vein
24P	1031450	Wet Black
Too Hot Color Numbers	Touch-Up Paint (.6 oz.)	Color
119P	1133375	Bubblegum Pink
61P	1046321	Electric Red
118P	1133374	Fruit Fusion
120P	1133376	Grape Madness
116P	1133372	Sunkissed Orange
30P	1074167	Sunny Yellow
117P	1133373	Tangerine Red
Way Cool Color Numbers	Touch-Up Paint (.6 oz.)	Color
123P	1133379	Celestial Purple
122P	1133378	Cosmic Blue
62P	1046320	Electric Blue
79P	1101316	Electric Teal
125P	1133381	Emerald Green
127P	1133383	Grasshopper Green
121P	1133377	Lolly Pop Blue
126P	1133382	Shamrock Green
124P	1133380	Vivid Violet

Frames Finishes and Touch-Up Paint

Sparkle Frame Finishes

Color Number	Color
88P	Wet Black w/Twilight Sparkle

Packaging, Literature, and Decals

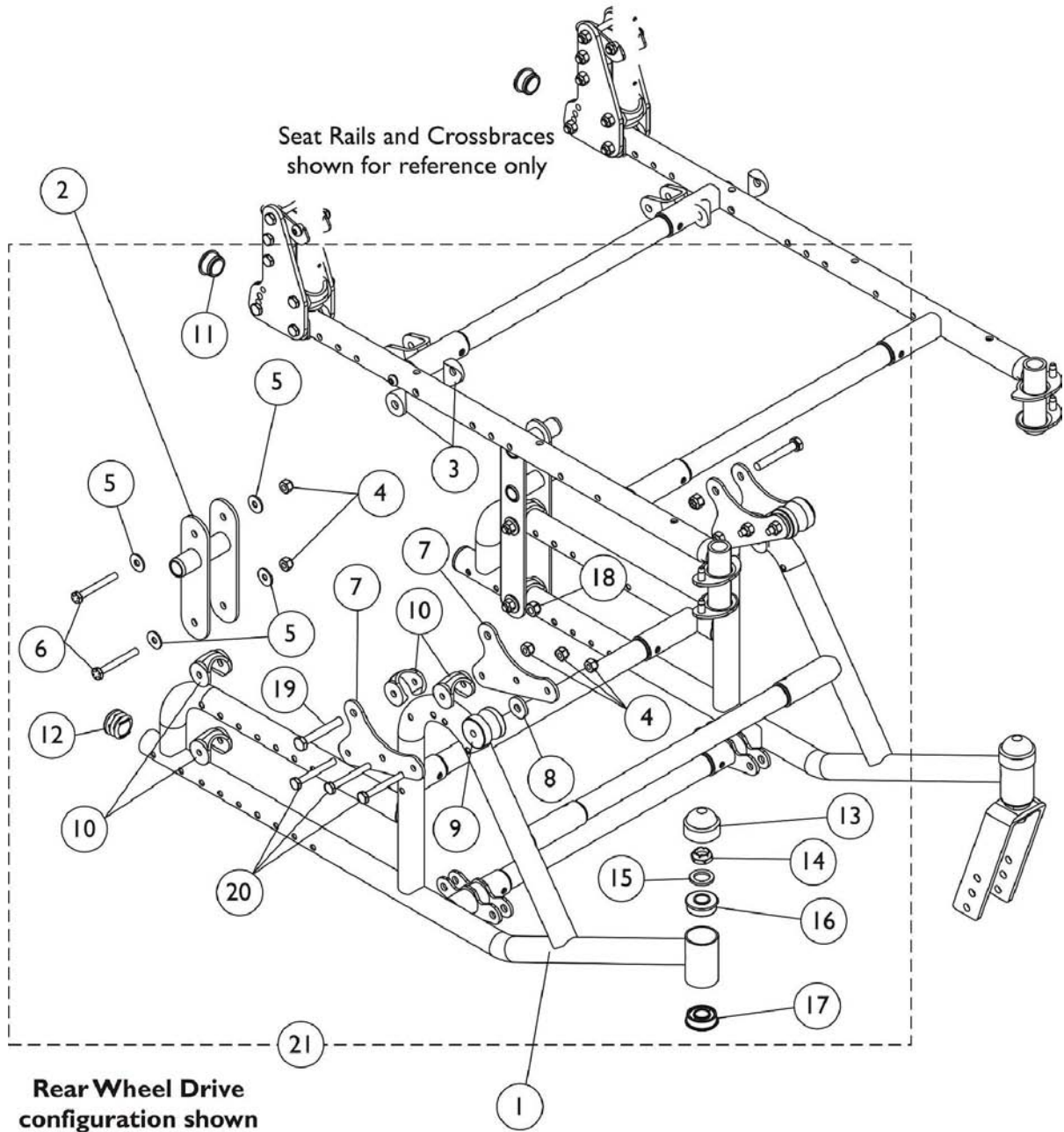


Packaging, Literature, and Decals

Item Number	Note	Part Number	Description	Quantity Per	
				Package	Assembly
1		40131X011	Carton, Front Riggings	1	1
2		1030364	Carton, Cover	1	1
3		1015592	Bag, Poly (72" L x 35" W x 19" D)	1	1
4		1030362	Carton, Tray	1	1
	A	1122134	Owner's Manual, Compass SPT & SPT Limited	1	1
	A	1130215	Owner's Manual, Hublock Wheel Lock	1	1
	A	1095683	Decal, Invacare Logo (Pkg. of 2)	2	1
	A	1121608	Decal, Model (Compass SPT)	1	2
	A	1125014	Decal, Model (Compass Limited)	1	2
NOTE: A - Not Shown					
When adjusting or replacing parts, please refer to your Owner's Manual for assistance.					

Frames and Frame Hardware

Chairs with 12" Rear Wheels

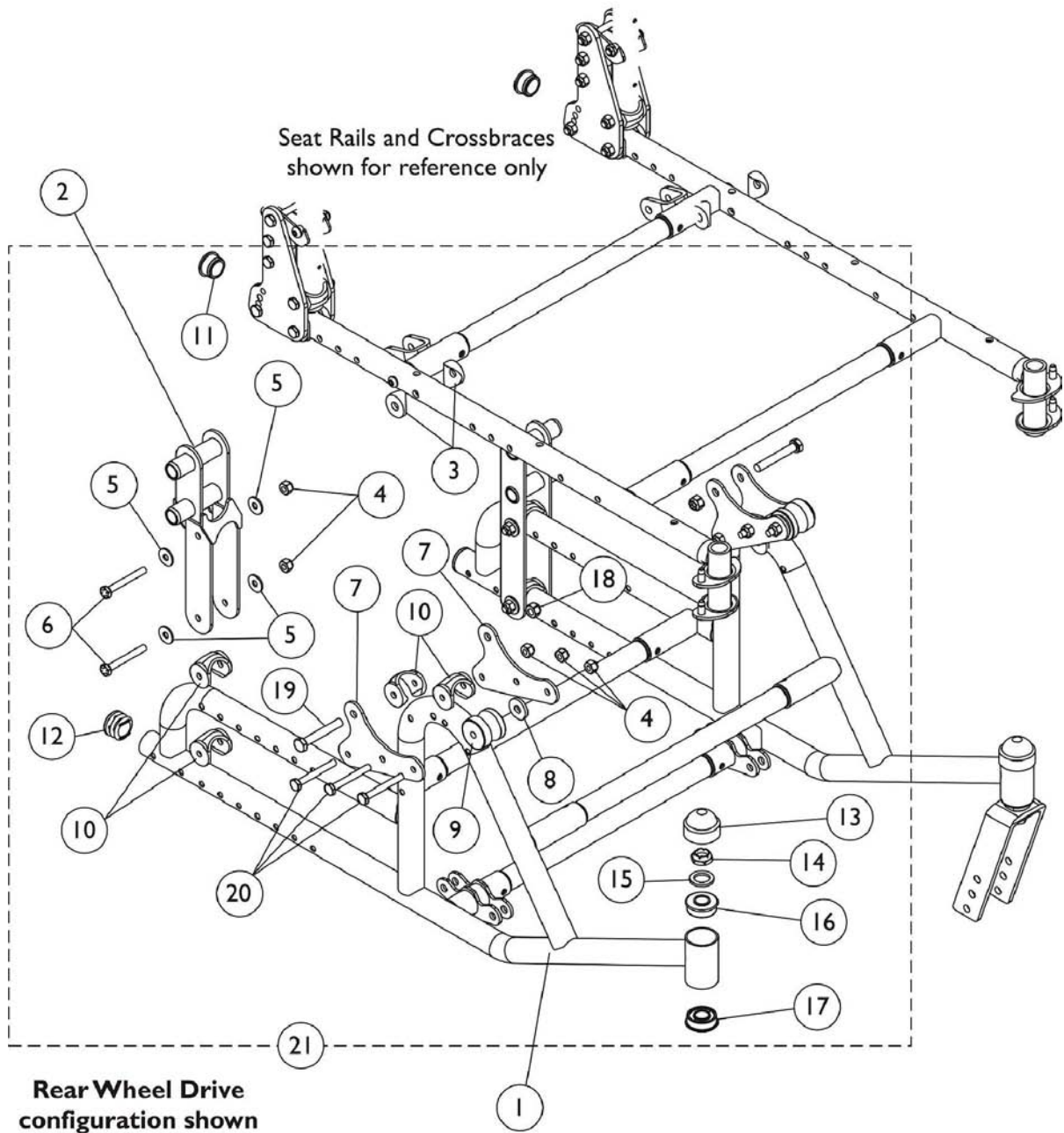


Frames and Frame Hardware Chairs with 12" Rear Wheels

Item Number	Note	Part Number	Description	Quantity Per	
				Package	Assembly
1	A,E	8881121602	Frame w/ Headtube Bearings -Right	1	1
1	A,E	8881121603	Frame w/ Headtube Bearings -Left	1	1
2	B,D	1124538	Plate, Rear Axle	1	2
3		1016263	Spacer, Coved (3/4 x 1 x 1/2")	1	4
4		1065362	Locknut (1/4-28)	1	10
5		1026900	Washer (1/4 x 23/32 x 1/16")	1	8
6		1114099	Screw, Hex Head (1/4-28 x 2")	1	4
7		1121619	Plate, Tilt Angle	1	4
8		1016301	Washer, Nylon (5/16 x 7/8 x 1/8")	1	2
9		1048801	Stop Block	1	2
10		1118469	Uni-Washer, Coved	1	8
11		1056328	Plug Button (1")	1	2
12		1029501	Plug Button (1")	1	2
13		1001843	Cap, Head Tube (Black)	1	2
14		1001979	Locknut (1/2-20)	1	2
15		1021508	Washer, Nylon (5/8 x 1 x 3/32")	1	2
16		1001801	Bearing, Flanged (1/2")	1	2
17		1085298	Bearing (1-1/4" O.D. x 1/2" I.D.)	1	2
18		1026906	Locknut (5/16-24)	1	2
19		1031891	Screw, Hex Head Cap (5/16-24 x 2")	1	2
20		1055349	Screw, Hex Head (1/4-28 x 2")	1	6
21	C	1121580	Frame Hardware Kit (Both Frames)	2	1
NOTE: A - Frame includes Headtube Bearings (items 16 and 17) B - Item 2, Rear Axle Plate, is Not included in Frame Hardware Kit. C - Includes items 3-20 D - Use with 12" Wheels (Limited chairs) E - Specify frame finish when ordering					

Frames and Frame Hardware

Chairs with 20", 22", or 24" Rear Wheels

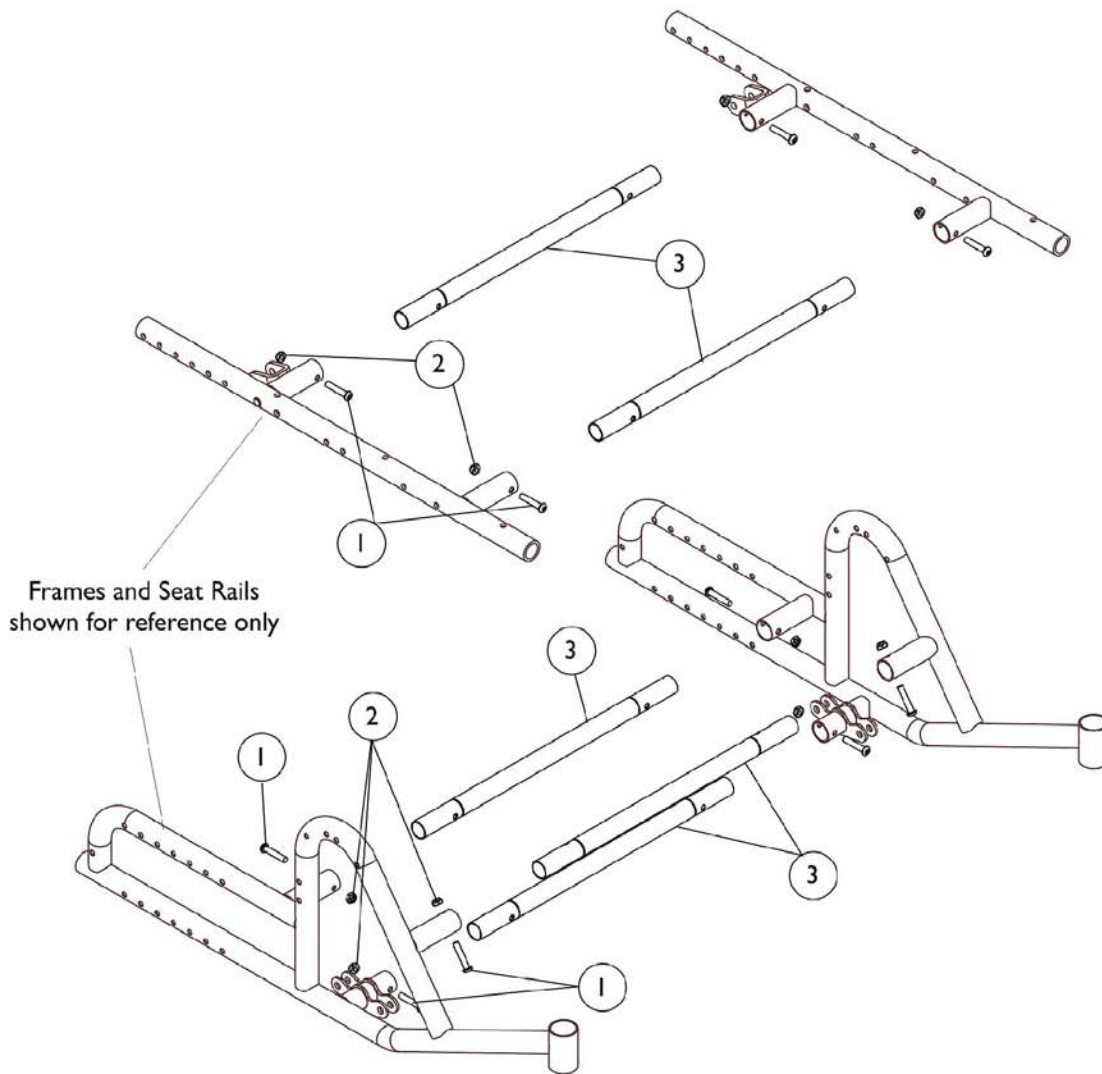


Frames and Frame Hardware Chairs with 20", 22", or 24" Rear Wheels

Item Number	Note	Part Number	Description	Quantity Per	
				Package	Assembly
1	A,F	8881121602	Frame w/ Headtube Bearings -Right	1	1
1	A,F	8881121603	Frame w/ Headtube Bearings -Left	1	1
2	B,D,E	1121625	Plate, Rear Axle (Offset)	1	2
3		1016263	Spacer, Coved (3/4 x 1 x 1/2")	1	4
4		1065362	Locknut (1/4-28)	1	10
5		1026900	Washer (1/4 x 23/32 x 1/16")	1	8
6		1114099	Screw, Hex Head (1/4-28 x 2")	1	4
7		1121619	Plate, Tilt Angle	1	4
8		1016301	Washer, Nylon (5/16 x 7/8 x 1/8")	1	2
9		1048801	Stop Block	1	2
10		1118469	Uni-Washer, Coved	1	8
11		1056328	Plug Button (1")	1	2
12		1029501	Plug Button (1")	1	2
13		1001843	Cap, Head Tube (Black)	1	2
14		1001979	Locknut (1/2-20)	1	2
15		1021508	Washer, Nylon (5/8 x 1 x 3/32")	1	2
16		1001801	Bearing, Flanged (1/2")	1	2
17		1085298	Bearing (1-1/4" O.D. x 1/2" I.D.)	1	2
18		1026906	Locknut (5/16-24)	1	2
19		1031891	Screw, Hex Head Cap (5/16-24 x 2")	1	2
20		1055349	Screw, Hex Head (1/4-28 x 2")	1	6
21	C	1121580	Frame Hardware Kit (Both Frames)	2	1

NOTE: A - Frame includes Headtube Bearings (items 16 and 17)
B - Item 2, Rear Axle Plate, is Not included in Frame Hardware Kit.
C - Includes items 3-20
D - Due to design change, Rear Axle Plate (1121625) must be replaced in pairs on chairs built Before 2/1/04. Previous Axle Plate is NLA.
E - Use with 20", 22", & 24" Wheels (SPT chairs)
F - Specify frame finish when ordering

Crossbraces and Hardware



Item Number	Note	Part Number	Description	Quantity Per	
				Package	Assembly
1		1055309	Screw, Button Head (1/4-28 x 1-1/4")	1	10
2		1025765	Locknut (1/4-28)	1	10
3		See Chart	#3 Crossbraces (14-18" Wide)	1	5
3		See Chart	#3 Crossbraces (19-22" Wide)	1	5

Crossbraces and Hardware

#3 Crossbraces (14-18" Wide)

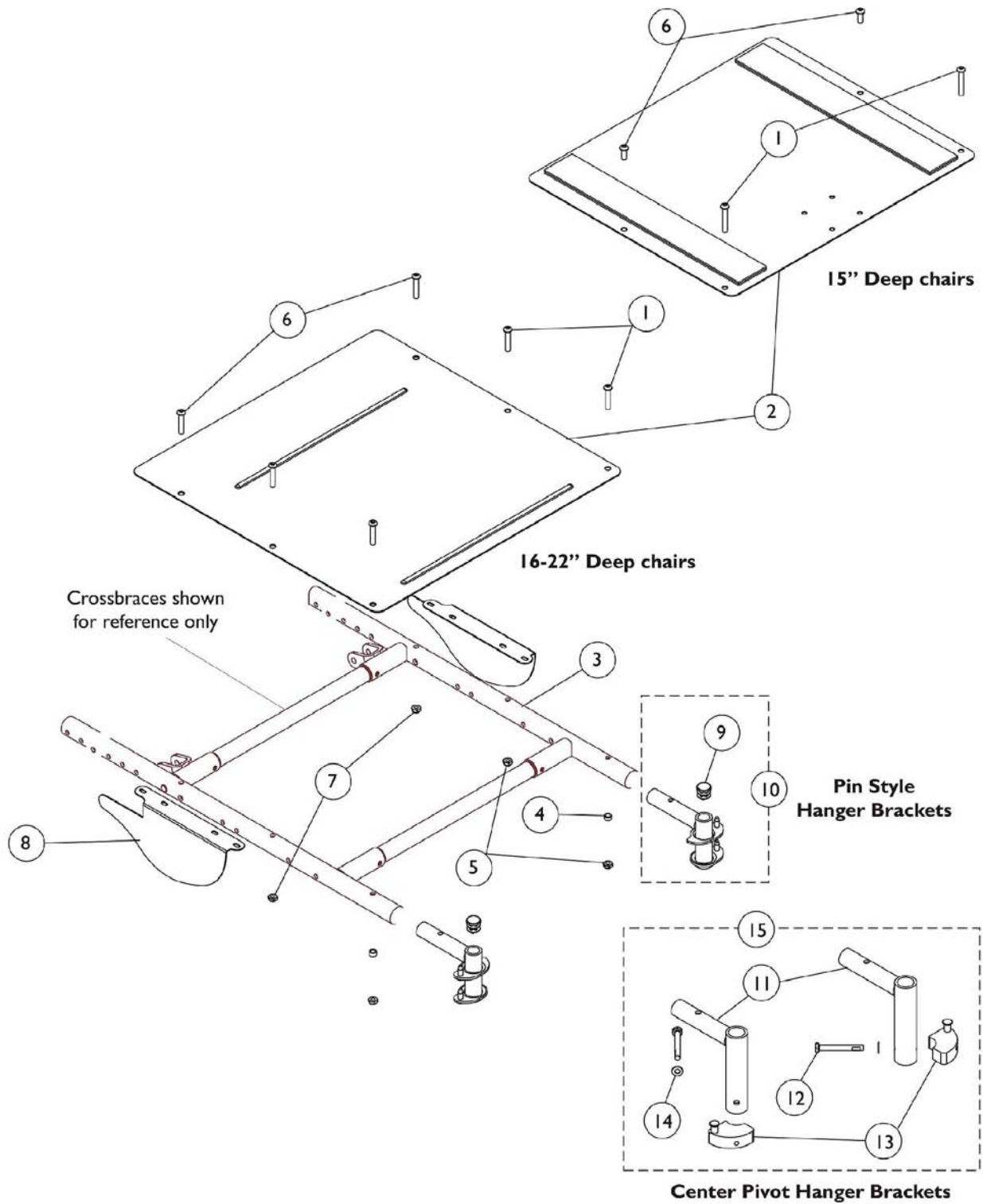
14" Wide	15" Wide	16" Wide	17" Wide	18" Wide
1121541	1121542	1121543	1121544	1121545

Crossbraces and Hardware

#3 Crossbraces (19-22" Wide)

19" Wide	20" Wide	21" Wide	22" Wide
1121546	1121547	1121548	1121549

Seat Pan, Seat Rails, Shrouds, and Hanger Brackets



Seat Pan, Seat Rails, Shrouds, and Hanger Brackets

Item Number	Note	Part Number	Description	Quantity Per	
				Package	Assembly
1	A	1083099	Screw, Socket Button Head (1/4-28 x 1-1/2")	1	4
2		See Chart	#2 Seat Pans (14-18" Wide)	1	1
2		See Chart	#2 Seat Pans (19-22" Wide)	1	1
3		See Chart	#3 Seat Rails	1	1
4		1047449	Spacer (1/4 x 3/8 x 3/16")	1	2
5	A	1025765	Locknut (1/4-28)	1	4
6	B	1083099	Screw, Socket Button Head (1/4-28 x 1-1/2")	1	2
6	C	1055304	Screw, Button Head Socket (1/4-28 x 5/8")	1	2
7	D	1025765	Locknut (1/4-28)	1	2
8		1121609	Shroud, Seat Rail - Right (Adjustable Height Arms)	1	1
8		1121610	Shroud, Seat Rail - Left (Adjustable Height Arms)	1	1
8		1121616	Shroud, Seat Rail - Right (T-Arms)	1	1
8		1121617	Shroud, Seat Rail - Left (T-Arms)	1	1
9		1027097	Plug Button, Black (3/4")	1	2
10	E	1121605	Hanger Bracket, Front Rigging - Right (Black)	1	1
10	E	1121606	Hanger Bracket, Front Rigging - Left (Black)	1	1
11		1125240	Hanger Bracket, Center Pivot Front Rigging - Right	1	1
11		1125241	Hanger Bracket, Center Pivot Front Rigging - Left	1	1
12		1052957	Screw, Hex Head (1/4-20 x 2")	1	2
13	G	1054571	Kit, Sector Block - Right	1	1
13	G	1054572	Kit, Sector Block - Left	1	1
13	H	1128280	Kit, Sector Block - Right	1	1
			Sector Block - Right	1	1
			Screw, Hex Head Cap (1/4-20 x 1-5/8")	1	1
			Washer (1/4 x 1/2 x 1/16")	1	1
13	H	1128281	Kit, Sector Block - Left	1	1
			Sector Block - Left	1	1
			Screw, Hex Head Cap (1/4-20 x 1-5/8")	1	1
			Washer (1/4 x 1/2 x 1/16")	1	1
	H,I	1142975	Kit, Sector Block Hardware	1	1
			Screw, Hex Head Cap (1/4-20 x 1-5/8")	1	2
			Washer (1/4 x 1/2 x 1/16")	1	2
			Sector Block - Right	1	1
			Sector Block - Left	1	1
14		1026907	Washer (1/4 x 1/2 x 1/16")	1	2
15	F	1125242	Hanger Brackets, Center Pivot Front Rigging	2	1

NOTE: A - 2 ea. required for 15" Deep chairs. 4 ea. required for 16-22" Deep chairs.
 B - Chairs built Before 4/1/04
 C - Chairs built After 3/31/04
 D - Required only on chairs built Before 4/1/04
 E - Hanger Bracket includes Plug Button (item 9)
 F - Includes items 11-14
 G - Includes sector block and hardware, items 12 and 14.
 H - For use on Lift Off Style Front Riggings.
 I - Not shown.

Seat Pan, Seat Rails, Shrouds, and Hanger Brackets

#2 Seat Pans (14-18" Wide)

(Includes Hook & Loop Fasteners)

Chair Depth	14" Wide	15" Wide	16" Wide	17" Wide	18" Wide
15"	1054850	1054851	1049082	1049090	1049098
16"	1054852	1054853	1049083	1049091	1049099
17"	1054854	1054855	1049084	1049092	1049100
18"	1054856	1054857	1049085	1049093	1049101
19"	1054858	1054859	1049086	1049094	1049102
20"	1054860	1054861	1049087	1049095	1049103
21"	1054862	1054863	1049088	1049096	1049104
22"	1054864	1054865	1049089	1049097	1049105

#2 Seat Pans (19-22" Wide)

(Includes Hook & Loop Fasteners)

Chair Depth	19" Wide	20" Wide	21" Wide	22" Wide
15"	1049106	1049114	1049122	1049130
16"	1049107	1049115	1049123	1049131
17"	1049108	1049116	1049124	1049132
18"	1049109	1049117	1049125	1049133
19"	1049110	1049118	1049126	1049134
20"	1049111	1049119	1049127	1049135
21"	1049112	1049120	1049128	1049136
22"	1049113	1049121	1049129	1049137

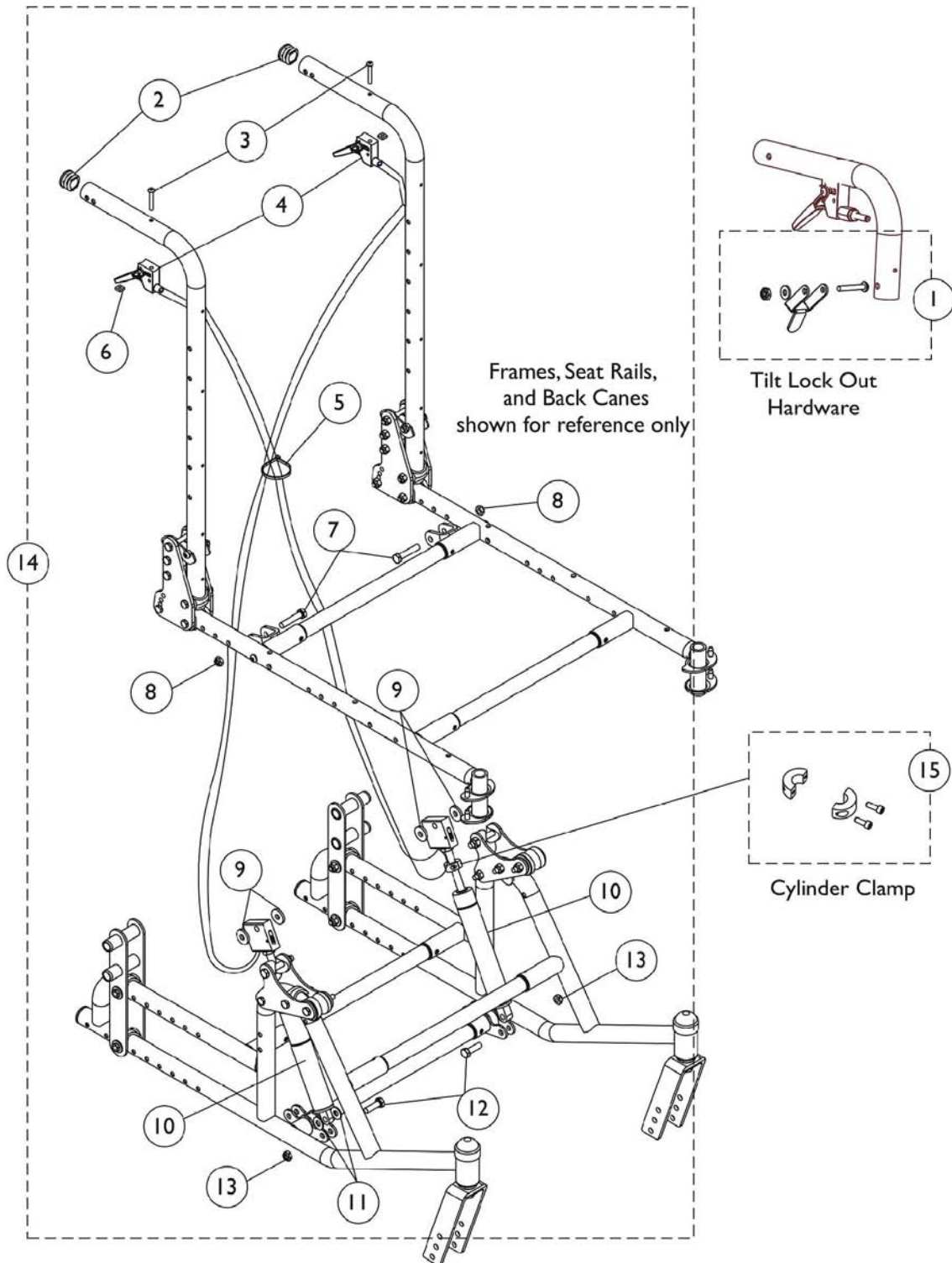
Seat Pan, Seat Rails, Shrouds, and Hanger Brackets

#3 Seat Rails

When ordering Seat Rails for chairs built Before 10/10/05 a current Arm Attaching Hardware Kit (p/n 1133485) must be ordered as well. See Arm Attaching Hardware category.

Seat Depth	Right	Left
15-18"	8881121575 See Note(s) B, C, A	8881121576 See Note(s) B, A, C
18-20"	8881121558 See Note(s) B, A	8881121559 See Note(s) B, A
20-22"	8881121577 See Note(s) B, A	8881121578 See Note(s) B, A
NOTE: A - On chairs built After 3/31/04, Seat Rails no longer require Locknut (item 7). A rivnut inserted in the rail replaced the locknut. When replacing a seat rail on chairs Before 4/1/04 also order 1 ea. p/n 1055304 (Screw). B - Specify Frame Finish when ordering C - If chair was built before 9/20/07, Seat Rails (15-18" deep) must be replaced in pairs of (Rt./Lt.).		

Tilt Hardware

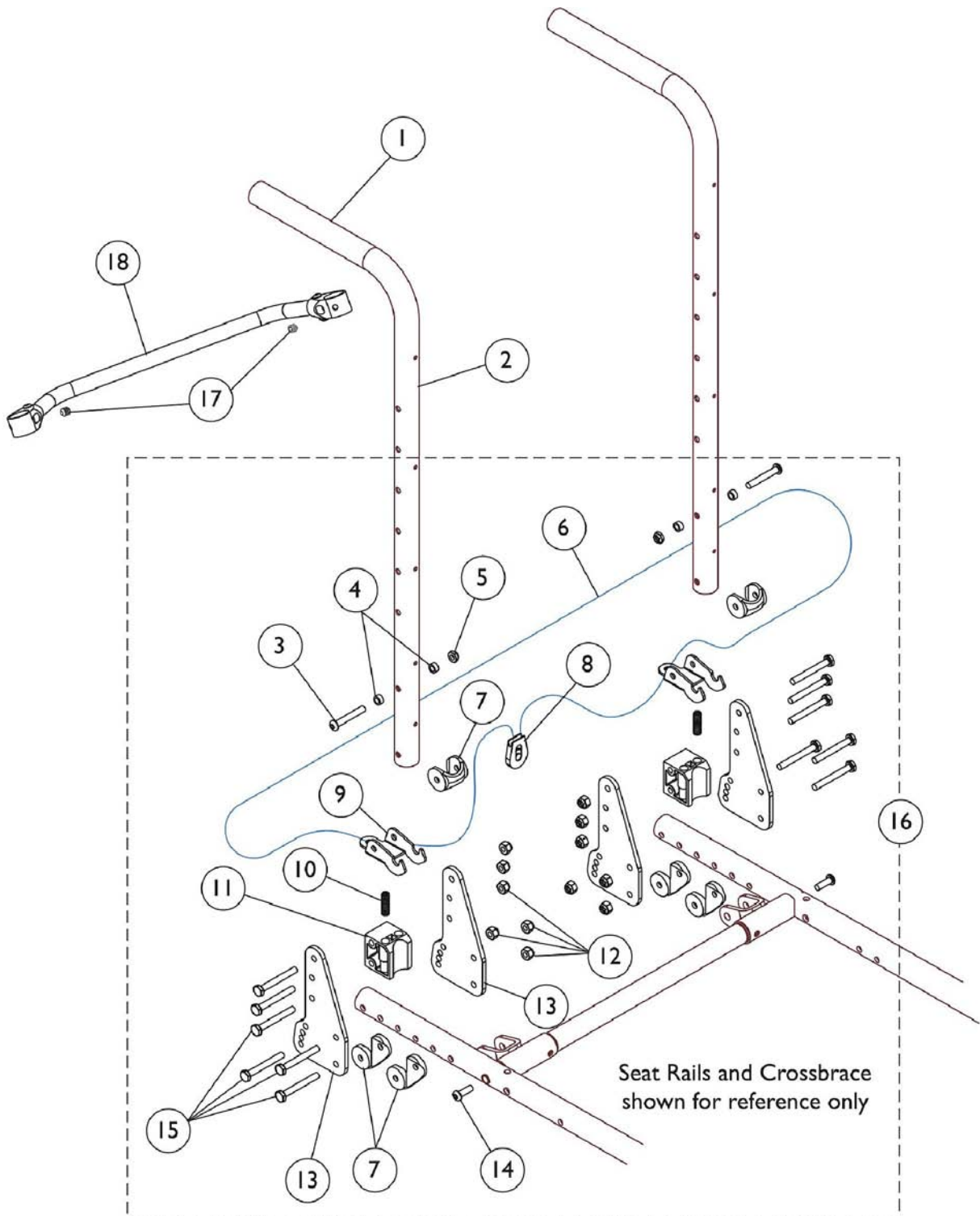


Tilt Hardware

Item Number	Note	Part Number	Description	Quantity Per	
				Package	Assembly
1		1118578	Kit, Tilt Lock Out Lever with Hardware	1	1
			Nut, Hex Lock (#6-32)	1	1
			Screw, Phillips Pan Head (#6-32 x 7/8")	1	1
			Lever, Lock Out Tilt	1	1
			Washer, Flat (5/32 x 3/8 x 1/32")	1	1
2		1029501	Plug Button (1")	1	2
3		1029464	Screw, Head Cap (#10-32 x 1-1/4")	1	2
4		1078451	Release Handle/Cable Assembly	1	2
5		1021260	Cable Tie (5-5/8" Long)	1	1
6		1086207	Nut, Square (#10-32)	1	2
7		1028514	Screw, Hex Head (5/16-24 x 1-1/2")	1	2
8		1025730	Locknut (5/16-24)	1	2
9		1016301	Washer, Nylon (5/16 x 7/8 x 1/8")	1	4
10		1075255	Cylinder, Gas w/ Release Cable -Right	1	1
10		1075256	Cylinder, Gas w/ Release Cable -Left	1	1
11		1074133	Washer (5/16 x 3/4 x 1/16")	1	2
12		1003548	Screw, Hex Head (5/16-18 x 1")	1	2
13		1028769	Locknut (5/16-18)	1	2
14	A	1121581	Tilt Hardware Kit	1	1
15		1073707	Clamp, Cylinder with Screws	1	2

NOTE: A - Includes items 2-13

Back Canes and Backrest Hardware



Back Canes and Backrest Hardware

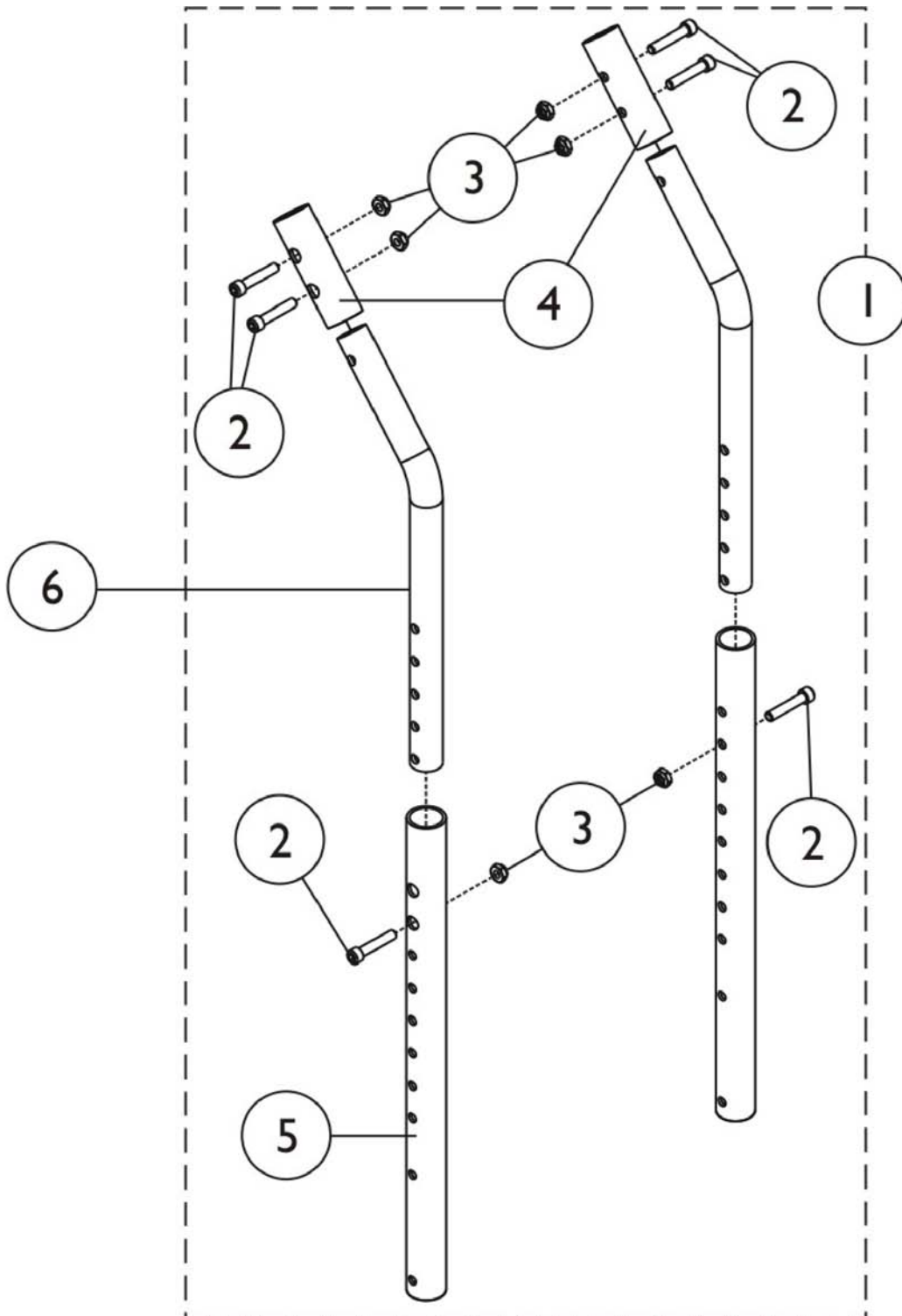
Item Number	Note	Part Number	Description	Quantity Per	
				Package	Assembly
1		1055398	Grip, Foam (4")	1	2
2		1121600	Back Cane w/ Grip -20" High (Black)	1	2
2		1121601	Back Cane w/ Grip -24" High (Black)	1	2
16		1044808	Kit, Backrest Hardware	1	1
3			Screw, Socket Button Head Cap (1/4-20 x 1-5/8")	1	2
4			Spacer (1/4 x 3/8 x 3/16")	1	4
5			Locknut (1/4-20)	1	4
6			Cord (5.5 Feet Long)	1	1
7			Uni-Washer, Coved	1	6
8			Cord Lock	1	1
9			Latch, Seat	1	2
10			Spring, Compression	1	2
11			Block, Stop	1	2
12			Locknut (1/4-28)	1	12
13			Plate, Seat Adjustment	1	4
14			Screw, Socket Head (1/4-20 x 3/4")	1	2
15			Screw, Hex Head (1/4-28 x 2")	1	12
16	A	1044808	0	1	1
17		1045495	Screw, Socket Head (1/4-20 x 1/4")	1	2
18	B	See Chart	See Footnote	1	1

NOTE: A - Includes items 3-15
B - See Backrest Crossmember Chart

#18 Backrest Crossmember

Chair Width	14"	15"	16"	17"	18"
	1042510	1042511	1042512	1050083	1050080
Chair Width	19"	20"	21"	22"	
	1050077	1050074	1085292	1085293	

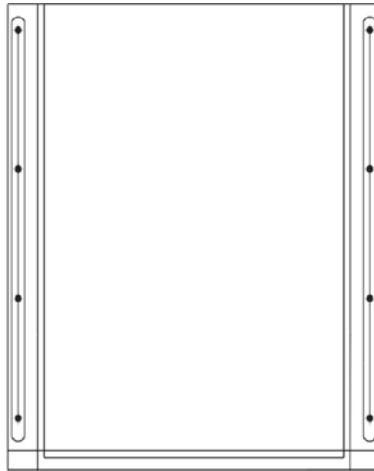
Adjustable Height Back Canes and Hardware



Adjustable Height Back Canes and Hardware

Item Number	Note	Part Number	Description	Quantity Per	
				Package	Assembly
1	A	1134189	Adjustable Height Cane Assembly	1	1
2			Screw, Allen Head (1/4-28 x 1-1/4")	1	6
3			Locknut (1/4-28)	1	6
4			Tube, Adapter Handle Stroller	1	2
5			Tube, Reciever Can Height, Adjustable	1	2
16	B	1044808	Kit, Backrest Hardware	1	1
			Screw, Socket Head (1/4-20 x 3/4")	1	2
			Screw, Socket Button Head Cap (1/4-20 x 1-5/8")	1	2
			Locknut (1/4-20)	1	4
			Cord Lock	1	1
			Cord (5.5 Feet Long)	1	1
			Plate, Seat Adjustment	1	4
			Latch, Seat	1	2
			Block, Stop	1	2
			Spacer (1/4 x 3/8 x 3/16")	1	4
			Spring, Compression	1	2
			Screw, Hex Head (1/4-28 x 2")	1	12
			Locknut (1/4-28)	1	12
			Uni-Washer, Coved	1	6
		1126346	Back Cane - 20" High	1	1
		1055398	Grip, Foam (4")	1	1
NOTE: A - Includes items 2-5. B - Not shown.					

Back Upholstery



Back Upholstery - Nylon

Chair Width	20" Back Height	24" Back Height
14"	1104374	1104381
15"	1104375	1104382
16"	8881057251 See Note(s) A	8881057255 See Note(s) A
17"	1104376	1104383
18"	8881057256 See Note(s) A	8881057260 See Note(s) A
19"	1104377	1104385
20"	1104378	1104386
21"	1104379	1104387
22"	1104380	1104388

NOTE: A - Specify upholstery color U240 Black when ordering.

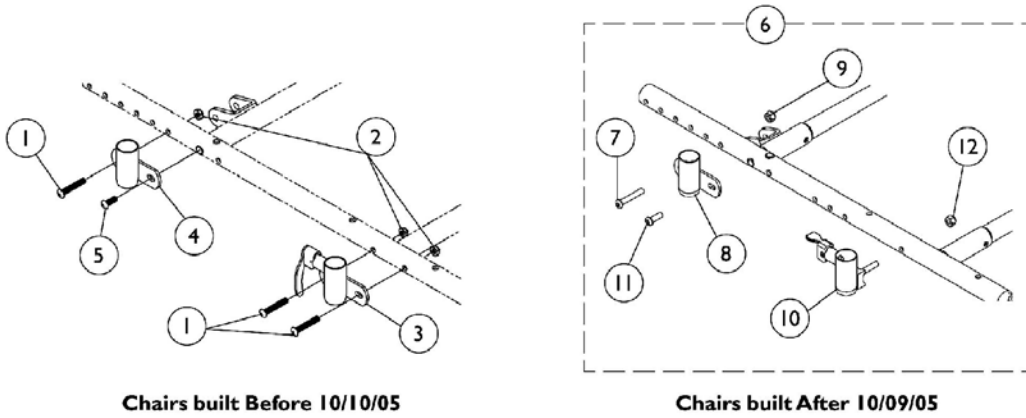
Back Upholstery

Back Upholstery Attaching Hardware

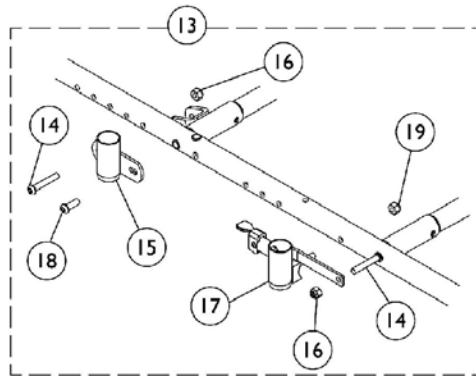
Item Number	Note	Part Number	Description	Quantity Per	
				Package	Assembly
	A	1041541	Package, Upholstery Screws w/ Washers (#10 x 7/8")	12	1
	A	See Chart	Back Upholstery - Black Nylon	1	1

NOTE: A - Not Shown

Arm Attaching Hardware



Chairs without Hublock Wheel Locks



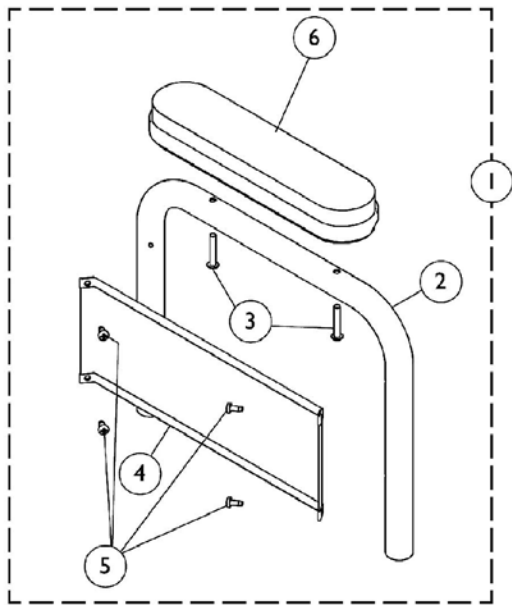
Chairs with Hublock Wheel Locks

Arm Attaching Hardware

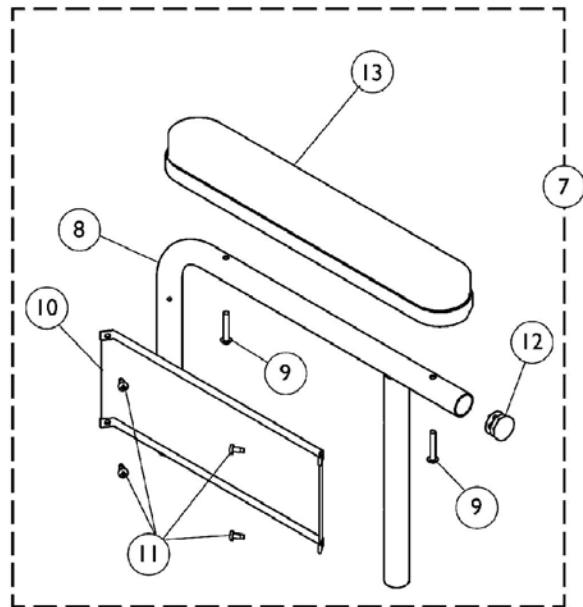
Item Number	Note	Part Number	Description	Quantity Per	
				Package	Assembly
1		1083099	Screw, Socket Button Head (1/4-28 x 1-1/2")	1	6
2		1065362	Locknut (1/4-28)	1	6
3		1048987	Arm Socket, Front - Right	1	1
3		1048988	Arm Socket, Front - Left	1	1
4		1048835	Arm Socket, Rear - Right/ Left	1	2
5		1009838	Screw, Socket Head (1/4-20 x 3/4")	1	2
6	A	1133485	Kit, Arm Attaching Hardware	1	1
7			Screw, Socket Button Head (1/4-28 x 1-1/2")	1	2
8			Arm Socket, Rear - Right/ Left	1	2
9			Locknut (1/4-28)	1	2
10			Arm Socket Assembly - Right	1	1
10			Arm Socket Assembly - Left	1	1
11			Screw, Socket Head (1/4-20 x 3/4")	1	2
12			Nut, Hex with Nylon Cap (1/4-20)	1	2
13	B,C	1133486	Kit, Arm Attaching Hardware w/ Hublock	1	1
14			Screw, Socket Button Head (1/4-28 x 1-1/2")	1	3
15			Arm Socket, Rear - Right/ Left	1	2
16			Locknut (1/4-28)	1	3
17			Arm Socket Assembly, Hublock - Right	1	1
17			Arm Socket Assembly - Left	1	1
18			Screw, Socket Head (1/4-20 x 3/4")	1	2
19			Nut, Hex with Nylon Cap (1/4-20)	1	2
NOTE: A - Includes items 7-12, contains enough hardware for right and left arms. B - Includes items 14-19, contains enough hardware for right and left arms. C - Right arm socket (item 17) shown. Left arm socket is physically different than the right.					

Fixed Height Arms

Desk and Full Length



Desk Length Arm with Arm Pad

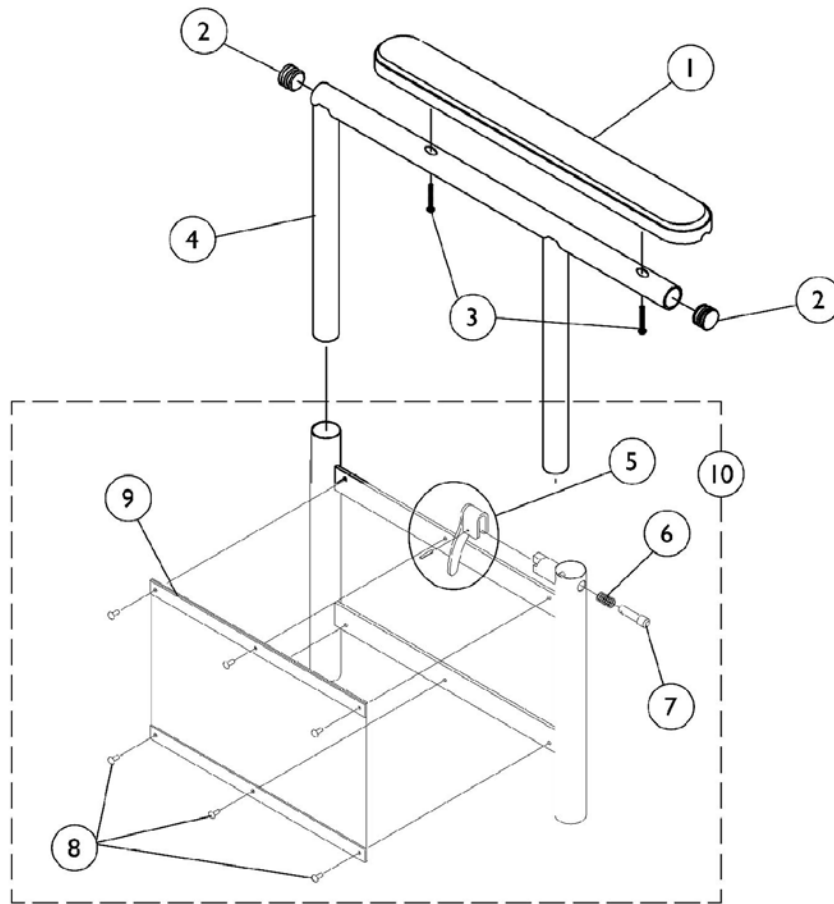


Full Length Arm with Arm Pad

Fixed Height Arms Desk and Full Length

Item Number	Note	Part Number	Description	Quantity Per	
				Package	Assembly
1	A,B	8881102858	Fixed Height Desk Length Arm Assembly - Right	1	1
2			Arm Base, Desk Length - Right/Left	1	1
3			Package, Screw Phillips Head (#10-32 x 1-1/8")	2	1
4			Clothing Guard, Desk Length	1	1
5			Screw, Self Tapping Pan Head (#8-32 x 3/8")	1	4
6			Arm Pad, Desk Length	1	1
6	A	8881053578	Arm Pads, Vinyl, Desk Length with Screws (9" L x 2" W)	2	1
1	A,B	8881102859	Fixed Height Desk Length Arm Assembly - Left	1	1
2			Arm Base, Desk Length - Right/Left	1	1
3			Package, Screw Phillips Head (#10-32 x 1-1/8")	2	1
4			Clothing Guard, Desk Length	1	1
5			Screw, Self Tapping Pan Head (#8-32 x 3/8")	1	4
6			Arm Pad - Desk Length	1	1
6	A	8881053578	Arm Pads, Vinyl, Desk Length with Screws (9" L x 2" W)	2	1
7	A,C	8881102864	Fixed Height Full Length Arm Assembly - Right	1	1
8			Arm Base, Full Length - Right	1	1
9			Screw, Phillips Head (#10-32 x 1-1/8")	1	2
10			Clothing Guard, Desk Length	1	1
11			Screw, Self Tapping Pan Head (#8-32 x 3/8")	1	4
12			Plug Button, Black (7/8")	1	1
13			Arm Pad, Full Length	1	1
13	A	8881053577	Arm Pads, Vinyl, Full Length with Screws (14" L x 2" W)	2	1
7	A,C	8881102865	Fixed Height Full Length Arm Assembly - Left	1	1
8			Arm Base, Full Length - Left	1	1
9			Screw, Phillips Head (#10-32 x 1-1/8")	1	2
10			Clothing Guard, Desk Length	1	1
11			Screw, Self Tapping Pan Head (#8-32 x 3/8")	1	4
12			Plug Button, Black (7/8")	1	1
13			Arm Pad, Full Length	1	1
13	A	8881053577	Arm Pads, Vinyl, Full Length with Screws (14" L x 2" W)	2	1
NOTE: A - Specify upholstery color U67 Black when ordering B - Includes items 2-6 C - Includes items 8-13					

Adjustable Height Arms

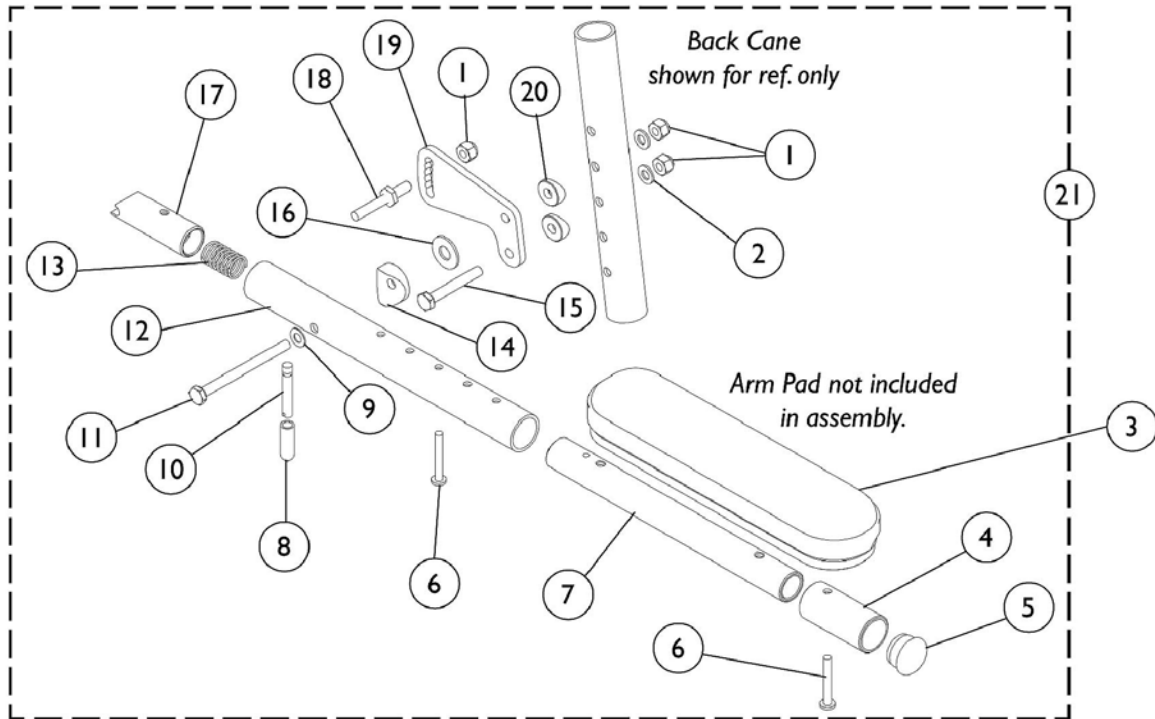


Adjustable Height Arms

Item Number	Note	Part Number	Description	Quantity Per	
				Package	Assembly
1	A	8881053578	Arm Pads, Vinyl, Desk Length with Screws (9" L x 2" W)	2	1
1	A	8881053577	Arm Pads, Vinyl, Full Length with Screws (14" L x 2" W)	2	1
2		1027095	Plug Button, Black (7/8")	1	2
3		1025714	Screw, Phillips Head (#10-32 x 1-1/8")	1	2
4		1070859	Arm Tube, Upper with Plug Buttons (Black) - Desk Length	1	1
4		1041522	Arm Tube, Upper with Plug Buttons (Black) - Full Length	1	1
10	B	1035892	Adjustable Height Arm Base Assembly - Right	1	1
			Base, Adjustable Height Arm	1	1
5			Kit, Lock Handle w/Rivets (both LT & RT side)	1	1
6			Spring, Arm Lock	1	1
7			Pin, Arm Lock	1	1
8			Rivet	1	6
9			Clothing Guard	1	1
10	B	1035893	Adjustable Height Arm Base Assembly - Left	1	1
			Base, Adjustable Height Arm	1	1
5			Kit, Lock Handle w/Rivets (both LT & RT side)	1	1
6			Spring, Arm Lock	1	1
7			Pin, Arm Lock	1	1
8			Rivet	1	6
9			Clothing Guard	1	1
NOTE: A - Specify upholstery color U67 Black when ordering B - Includes Arm Base plus items 5-9					

Cantilever Arms - Bolt On (AT55D & AT55F)

Compass Limited chairs only



Bolt On Cantilever Arm without Arm Pads

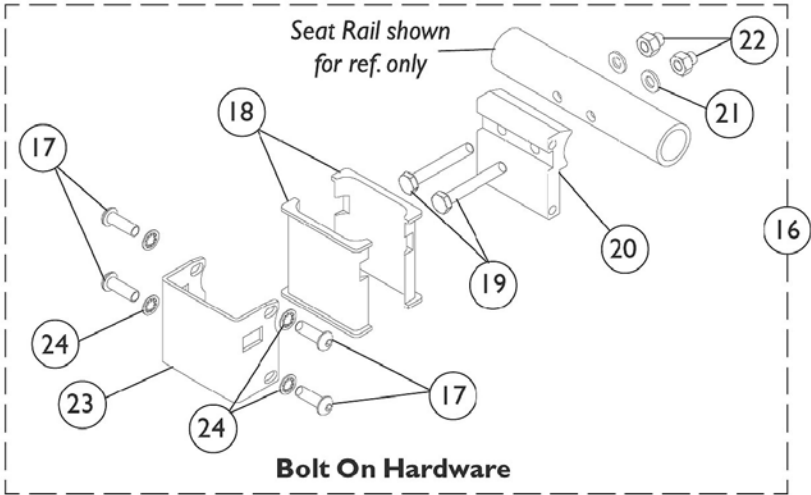
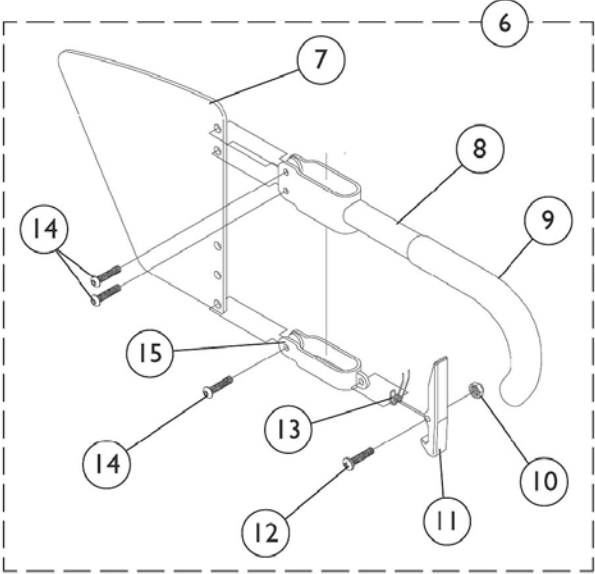
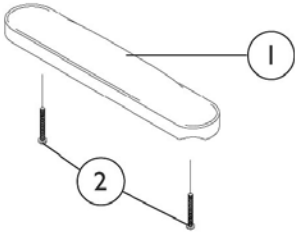
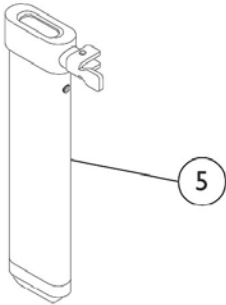
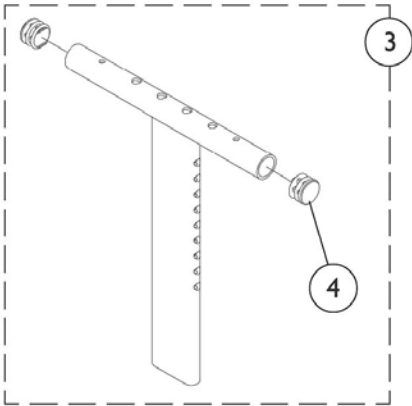
Cantilever Arms - Bolt On (AT55D & AT55F)

Compass Limited chairs only

Item Number	Note	Part Number	Description	Quantity Per	
				Package	Assembly
1		1065362	Locknut (1/4-28)	1	3
2		1026907	Washer (1/4 x 1/2 x 1/16")	1	2
3	A	8881053578	Arm Pads, Vinyl, Desk Length with Screws (9" L x 2" W)	2	1
3	A	8881053577	Arm Pads, Vinyl, Full Length with Screws (14" L x 2" W)	2	1
4		1042598	Tube, Arm Extension	1	1
5		1056328	Plug Button (1")	1	1
6		1026107	Screw, Phillips Pan Head (#10-32 x 1-3/8")	1	2
7		1068600	Slide Tube, Cantilever Arm	1	1
8		1059271	Tip, Protective (Black)	1	1
9		1026103	Washer, Nylon (1/4 x 1/2 x 1/32")	1	1
10		1058545	Lever, Actuator	1	1
11		1059374	Screw, Hex Head Cap (1/4-28 x 3")	1	1
12		1068588	Arm Tube	1	1
13		1011511	Spring, Compression (1")	1	1
14		40157X020	Spacer, Coved (1/4 x 1 x 9/16")	1	1
15		1055348	Screw, Hex Head Cap (1/4-28 x 1-3/4")	1	1
16		1012371	Washer, Nylon (3/8 x 7/8 x 1/16")	1	1
17		1058232	Plug, Latch	1	1
18		1058231	Pin, Locking	1	1
19		1058542	Bracket, Armrest Mounting	1	1
20		1026099	Spacer, Coved (1/4 x 11/16 x 1/2")	1	2
21	B,C	1068654	Kit, Cantilever Arm, Bolt On - Right	1	1
21	B,C	1068655	Kit, Cantilever Arm, Bolt On - Left	1	1

NOTE: A - Specify upholstery color U67 Black when ordering.
 B - Arms do not include Arm Pads, they must be ordered separately.
 C - Includes items 1,2,4-20

"T" Arms and Hardware



"T" Arms and Hardware

Item Number	Note	Part Number	Description	Quantity Per	
				Package	Assembly
1	A	8881053570	Arm Pads with Screws - Desk Length	2	1
1	A	8881053571	Arm Pads with Screws - Full Length	2	1
2		1055949	Screws, Phillips Pan Head (#10-32 x 1-1/8")	2	1
3		1069639	"T" Arm w/ Plug Buttons, Desk Length - Low Range	1	1
3		1069641	"T" Arm w/ Plug Buttons, Desk Length - High Range	1	1
3		1069643	"T" Arm w/ Plug Buttons, Full Length - Low Range	1	1
3		1069645	"T" Arm w/ Plug Buttons, Full Length - High Range	1	1
4		1027095	Plug Button, Black (7/8")	1	2
5		1069635	Arm Post, Low Range	1	1
5		1069637	Arm Post, High Range	1	1
6	B	1073424	Kit, Clothing Guard, Low Range - Right	1	1
6	B	1073425	Kit, Clothing Guard, Low Range - Left	1	1
6	B	1073422	Kit, Clothing Guard, High Range - Right	1	1
6	B	1073423	Kit, Clothing Guard, High Range - Left	1	1
7		1069652	Clothing Guard, Low Range	1	1
7		1069651	Clothing Guard, High Range	1	1
8		1069634	Support Tube, Low Range - Right	1	1
8		1073247	Support Tube, Low Range - Left	1	1
8		1069650	Support Tube, High Range - Right	1	1
8		1073246	Support Tube, High Range - Left	1	1
9		1028427	Grip, Foam	1	1
10		1025731	Locknut (#10-32)	1	1
11		1073235	Lock Lever	1	1
12		1025716	Screw, Phillips Head (#10-32 x 11/16")	1	1
13		1073196	Spring	1	1
14		1006773	Screw, Socket Head (1/4-20 x 1/2")	1	3
15		1075069	Clamp, Clothing Guard - Right	1	1
15		1075070	Clamp, Clothing Guard - Left	1	1
16	C	1069632	Kit, Arm Post Attaching Hardware, Bolt On	1	1
17		1055305	Screw, Button Head Socket Cap (1/4-28 x 3/4")	1	4
18		1069609	Insert, Arm Socket	1	2
19		1055348	Screw, Hex Head Cap (1/4-28 x 1-3/4")	1	2
20		1069629	Bracket, T-Arm Socket (Threaded)	1	1
21		1026907	Washer (1/4 x 1/2 x 1/16")	1	2
22		1085111	Hex Nut (1/4-28)	1	3
23		1069620	Bracket, Socket	1	1
24	D	1026108	Lockwasher (1/4 x 15/32 x 1/64")	1	4
	D	See Chart	"T" Arm Kits	1	1

NOTE: A - Specify upholstery color U67 Black when ordering.
 B - Includes items 7-15
 C - Includes items 17-24
 D - Includes items 1-3, 5-6 and 16.

"T" Arms and Hardware

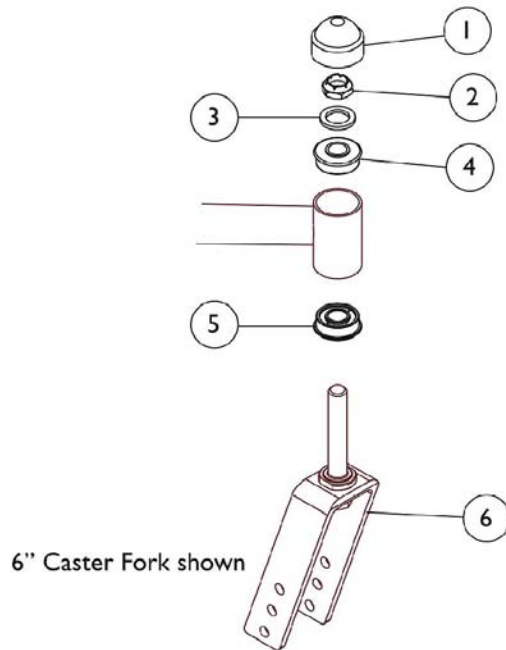
"T" Arm Kits

Kits Include Items 1-3,5-6, & 16

Part Number	Arm Style
1111709	Desk Length, Low Range (1 Pair)
1111710	Desk Length, High Range (1 Pair)
1111711	Full Length, Low Range (1 Pair)
1111712	Full Length, High Range (1 Pair)

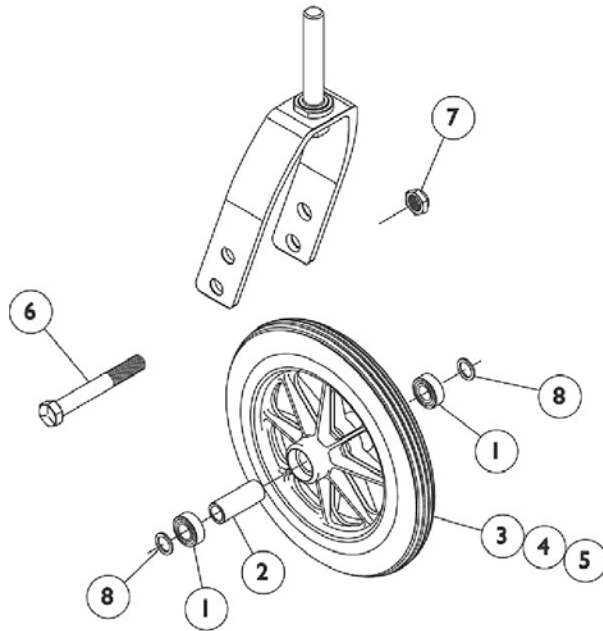
Specify U67 upholstery color when ordering.

Forks and Hardware



Item Number	Note	Part Number	Description	Quantity Per	
				Package	Assembly
1		1001843	Cap, Head Tube (Black)	1	1
2		1001979	Locknut (1/2-20)	1	1
3		1021508	Washer, Nylon (5/8 x 1 x 3/32")	1	1
4		1001801	Bearing, Flanged (1/2")	1	1
5		1085298	Bearing (1-1/4" O.D. x 1/2" I.D.)	1	1
6		1037420	Fork and Stem Assembly, Aluminum (Black) - 6" Urethane Caster	1	1
6		1056640	Fork and Stem Assembly, Aluminum (Black) - 6 x 2" and 8" Casters	1	1

Casters and Hardware



#1-5 Casters

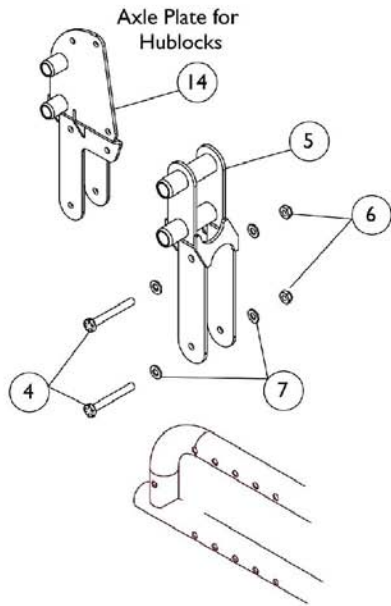
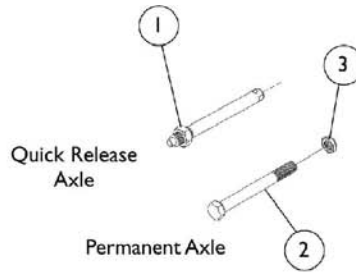
Wheel Style	Wheel Size	Tire Type	#1 Bearing	#2 Bearing Spacer	#3 Wheel with Bearings	#4 Tire	#5 Tube/Insert
AT902	6"	Urethane	40117X026	1026172	1029500	N/A	N/A
1259	6 x 2"	Semi-Pneu.	1006049	1020592	1115179	N/A	N/A
1299	8 x 1"	Solid Rubber	1006049	1018982	1058137	1040144	N/A
AT903	8 x 1-1/4"	Urethane	1040102	1037911	1058649	1038157	N/A
1292	8 x 1-1/4"	Pneumatic	1006049	1020592	1009481	40176X040	40176X041
1492	8 x 1-1/4"	Pneumatic w/ Flat Free	1006049	1020592	1030773	40176X040	1010904
1228	8 x 1-3/4"	Semi-Pneu.	1006049	1020592	1070811	N/A	N/A

Casters and Hardware

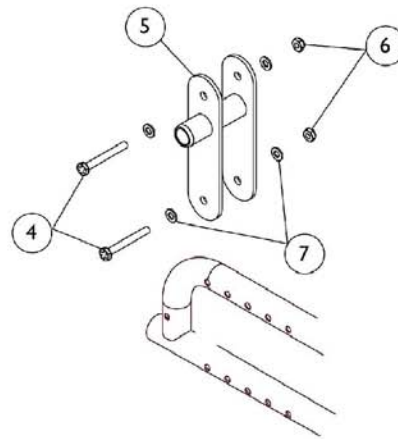
#6-8 Caster Hardware

Wheel Style	Wheel Size	Tire Type	#6 Axle	#7 Locknut	#8 Washer
AT902	6"	Urethane	1026908	1025730	1026160
1259	6 x 2"	Semi-Pneu.	1025726	1025734	1025724
1299	8 x 1"	Solid Rubber	1025726	1025734	1026101
AT903	8 x 1-1/4"	Urethane	57667P007	20225X000	N/A
1292	8 x 1-1/4"	Pneumatic	1025726	1025734	1025724
1492	8 x 1-1/4"	Pneumatic w/ Flat Free	1025726	1025734	1025724
1228	8 x 1-3/4"	Semi-Pneu.	1025726	1025734	1025724

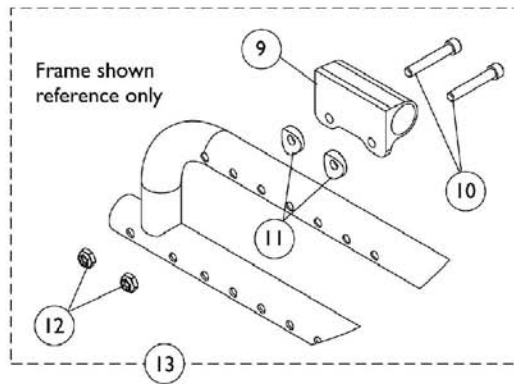
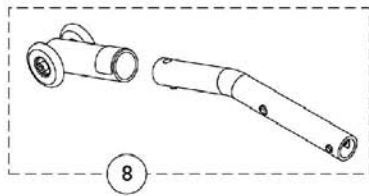
Axles, Axle Hardware, and Anti-Tips



Chairs with 20", 22", or 24" Wheels



Chairs with 12" Wheels



Axles, Axle Hardware, and Anti-Tips

Item Number	Note	Part Number	Description	Quantity Per	
				Package	Assembly
1		1040361	Axle, Quick Release w/ Locknut (1/2" x 5")	1	1
2		1049227	Screw, Hex Head (1/2-20 x 5-1/4")	1	1
3		1025737	Locknut (1/2-20)	1	1
4		1114099	Screw, Hex Head (1/4-28 x 2")	1	2
5	D,E	1121625	Plate, Rear Axle (Offset)	1	1
5	F	1124538	Plate, Rear Axle	1	1
6		1025765	Locknut (1/4-28)	1	2
7		1026907	Washer (1/4 x 1/2 x 1/16")	1	4
8	A	1058884	Anti-Tip, Rear	1	1
8	B	1050641	Anti-Tippers (1 Pair)	2	1
9		1112075	Bracket, Anti-Tip	1	1
10		1059251	Screw, Socket Head (1/4-28 x 1-1/2")	1	2
11		1026099	Spacer, Coved (1/4 x 11/16 x 1/2")	1	2
12		1025765	Locknut (1/4-28)	1	2
13	C	1121599	Anti-Tip Mounting Hardware	1	1
14	G	1132383	Plate, Rear Axle Hublock - Right	1	1
14	G	1132384	Plate, Rear Axle Hublock - Left	1	1

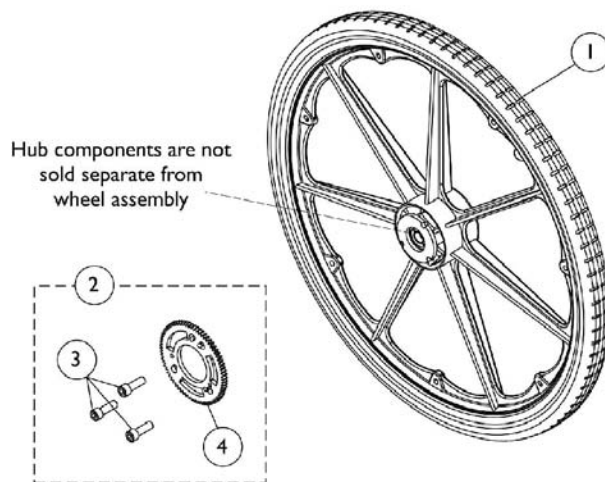
NOTE: A - Use with 12", 20", & 22" Wheels
 B - Use with 24" Wheels
 C - Includes items 9-12
 D - Use with 20", 22", & 24" Wheels (SPT chairs)
 E - Due to design change, Offset Rear Axle Plate (1121625) must be replaced in pairs on chairs built Before 2/1/04. Previous Axle Plate is NLA.
 F - Use with 12" Wheels only (Limited chairs)
 G - Use with 20", 22", or 24" Wheels on chairs with Hublock Wheel Locks.

Rear Wheels - Chairs without Hublocks without Handrims

Wheels without Handrims - Chairs without Hublocks

Wheel Style	Wheel Size	Tire Type	Wheel w/o Hdrm.	Tire	Tube/ Insert	Bearing	Hub Spacer
12COM	12 x 2-1/4"	Pneumatic	1129498	1011524	1011525	40117X022	N/A
12COM	12 x 2-1/4"	Pneumatic w/ Flat Free	1129499	1011524	1027176	40117X022	N/A
20COM	20 x 1-1/4"	Urethane	1038364	1037774	N/A	40117X022	1015756
20COM	20 x 1-3/8"	Pneumatic	1026422	1017519	1017520	40117X022	1015756
20COM	20 x 1-3/8"	Pneumatic w/ Flat Free	1026423	1017519	1023322	40117X022	1015756
22COM	22 x 1-1/4"	Urethane	1032116	1028250	N/A	40117X022	1015756
22COM	22 x 1-3/8"	Pneumatic	1026420	1018544	1018545	40117X022	1015756
22COM	22 x 1-3/8"	Pneumatic w/ Flat Free	1026421	1018544	1023323	40117X022	1015756
24COM7	24 x 1-1/4"	Urethane	1032118	1026904	N/A	40117X022	1015756
24COM7	24 x 1-3/8"	Pneumatic	1026362	40176X060	40176X061	40117X022	1015756
24COM7	24 x 1-3/8"	Pneumatic w/ Flat Free	1026363	40176X060	1010906	40117X022	1015756
24COM7	24 x 1"	KIK	1091330	1062852	N/A	40117X022	1015756

Rear Wheels and Hublock Hardware - Chairs with Hublocks without Handrims



20" / 22" / 24" Rear Wheels

Item Number	Note	Part Number	Description	Quantity Per	
				Package	Assembly
1		See Chart	#1 Rear Wheels for Chairs with Hublocks	1	1
2	A	1133231	Kit, Hublock Ring Gear	1	1
3			Screw, Socket Head Cap (1/4-28 x 3/4")	1	3
4			Ring, Gear	1	1

NOTE: A - Includes items 3 and 4

Rear Wheels and Hublock Hardware - Chairs with Hublocks without Handrims

#1 Rear Wheels for Chairs with Hublocks

without Handrims

Wheel Style	Wheel Size	Tire Type	Wheel w/o Hdrm.	Tire	Tube/Insert	Bearing
20COM	20 x 1-1/4"	Urethane	1133224 See Note(s) A	1037774	N/A	40117X022
20COM	20 x 1-3/8"	Pneumatic	1133222 See Note(s) A	1017519	1017520	40117X022
20COM	20 x 1-3/8"	Pneumatic w/ Flat Free	1133223 See Note(s) A	1017519	1023322	40117X022
22COM	22 x 1-1/4"	Urethane	1133227 See Note(s) A	1028250	N/A	40117X022
22COM	22 x 1-3/8"	Pneumatic	1133225 See Note(s) A	1018544	1018545	40117X022
22COM	22 x 1-3/8"	Pneumatic w/ Flat Free	1133226 See Note(s) A	1018544	1023323	40117X022
24COM7	24 x 1-1/4"	Urethane	1133230 See Note(s) A	1026904	N/A	40117X022
24COM7	24 x 1-3/8"	Pneumatic	1133228 See Note(s) A	40176X060	40176X061	40117X022
24COM7	24 x 1-3/8"	Pneumatic w/ Flat Free	1133229 See Note(s) A	40176X060	1010906	40117X022
24COM7	24 x 1"	KIK	1133489 See Note(s) A	1062852	N/A	40117X022

NOTE: A - Wheels come assembled with Hub, Gear Adapters, Retaining Nut, Washer, and Bearings.

Handrims and Handrim Hardware

For Natural Fit Handrims please refer to that particular category.

Non Projection Handrims

Wheel Style	Anodized Aluminum	Chrome	Black Plastic Coated
20COM	1033374	1019999	1115400
22COM	1033373	1020000	1115401
24COM7	1033372	1019836	1115397

Projection Handrims

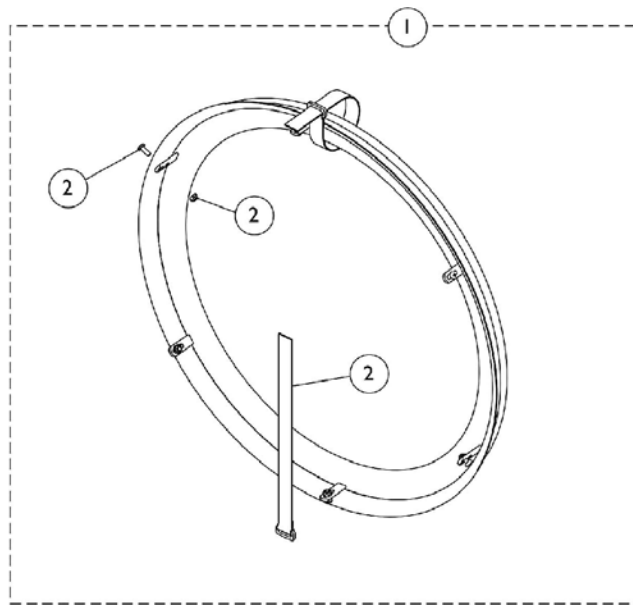
Wheel Style	8 Vertical Projections (Black)	8 Oblique Projections (Black)	12 Vertical Projections (Black)
20COM	N/A	N/A	N/A
22COM	N/A	N/A	N/A
24COM7	1115394	1115396	1115395

Handrim Hardware

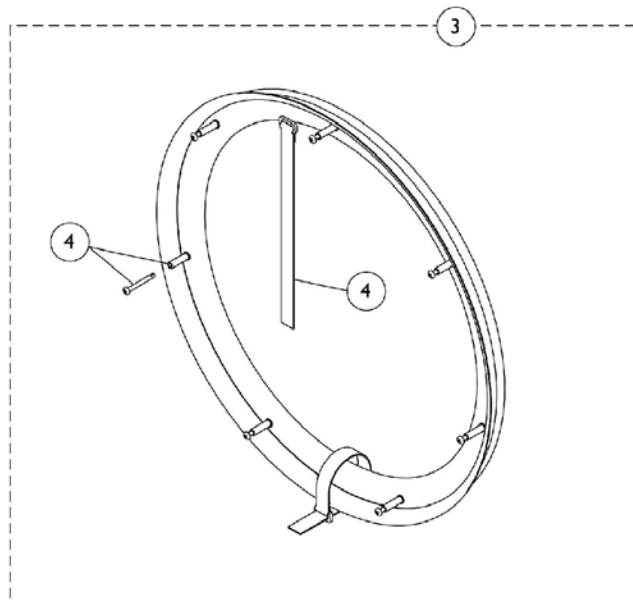
(Hardware Kits to Attach a Single Handrim Only)

Wheel Style	Anodized Aluminum	Chrome	Black Plastic Coated	8 Vertical Projections	8 Oblique Projections	12 Vertical Projections
20COM	1025153	1025153	1025158	N/A	N/A	N/A
22COM	1026384	1025153	1025158	N/A	N/A	N/A
24COM7	1025153	1025153	1026383	1026380	1026381	1026382

Handrims and Handrim Hardware - Natural Fit



6 Point Attaching Wheels (Spoke Wheels)



7 Point Attaching Wheels (Composite Wheels)

Handrims and Handrim Hardware - Natural Fit

Item Number	Note	Part Number	Description	Quantity Per	
				Package	Assembly
1		See Chart	#1 Natural Fit Handrims - 6 Point Attaching Wheels (Spoke Wheels)	1	1
2	A	1145679	Kit, Handrim Attaching Hardware - 6 Point	1	1
			Screw, Phillips Pan Head (#10-32 x 1/2")	1	6
			Locknut (#10-32)	1	6
			Strap, Securing	1	2
3		See Chart	#3 Natural Fit Handrims - 7 Point Attaching Wheels (Composite Wheels)	1	1
4	B	1145680	Kit, Handrim Attaching Hardware - 7 Point	1	1
			Screw, Phillips Pan Head with Patch (#10-32 x 1-3/4")	1	7
			Spacer (3/16 x 5/16 x 1-1/16")	1	7
			Strap, Securing	1	2
	C	1144492	Instruction Sheet, Natural Fit Handrims	1	1

NOTE: A - Includes Screws, Locknuts, and Securing Straps.
 B - Includes Screws, Spacers, and Securing Straps.
 C - Not Shown

#1 Natural Fit Handrims - 6 Point Attaching Wheels (Spoke Wheels)

Handrims sold as 1 each. Includes all Attaching Hardware (item 2) and Instruction Sheet.

Grip Style	22" Wheels	24" Wheels	25" Wheels	26" Wheels
Standard	1145545	1145546	1145547	1145548
Super Grip	1145549	1145550	1145551	1145552

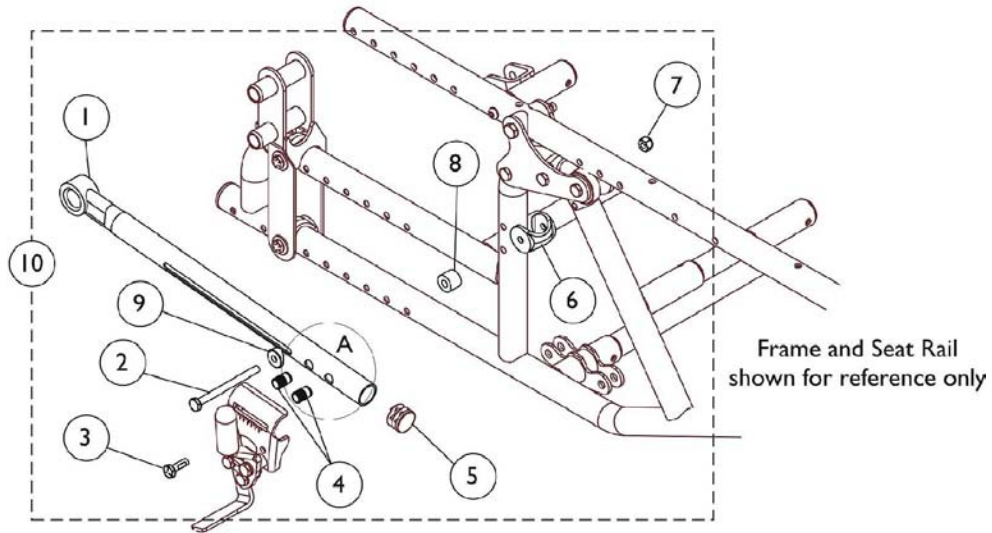
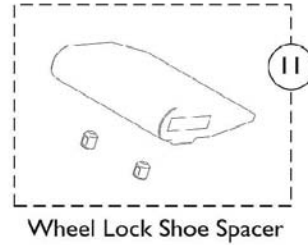
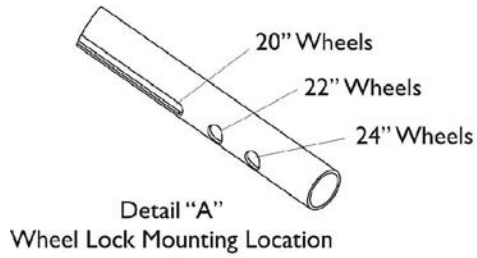
#3 Natural Fit Handrims - 7 Point Attaching Wheels (Composite Wheels)

Handrims sold as 1 each. Includes all Attaching Hardware (item 4) and Instruction Sheet.

Grip Style	24" Wheels
Standard	1145553
Super Grip	1145554

Wheel Lock Attaching Hardware

Only required on chairs with 20", 22", & 24" Wheels (SPT chairs)



Wheel Lock Attaching Hardware

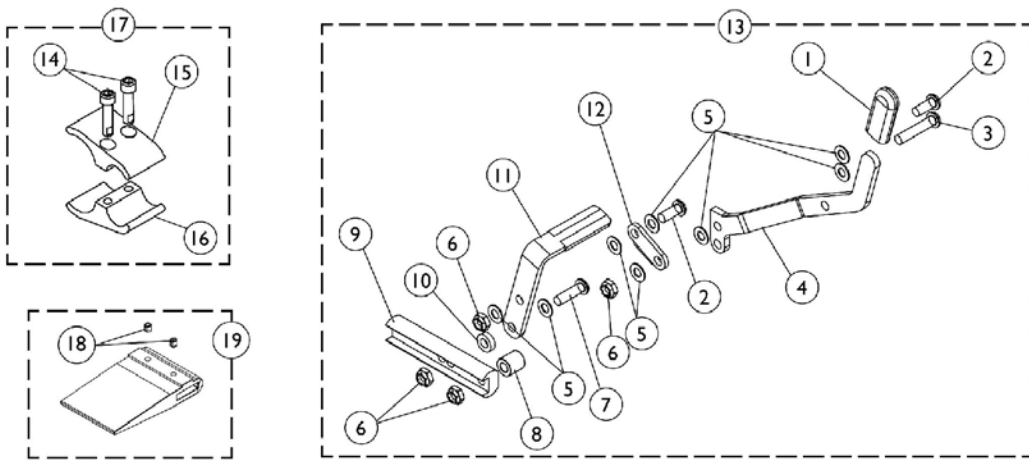
Only required on chairs with 20", 22", & 24" Wheels (SPT chairs)

Item Number	Note	Part Number	Description	Quantity Per	
				Package	Assembly
1		1121588	Bar, Wheel Lock	1	1
2		1059374	Screw, Hex Head Cap (1/4-28 x 3")	1	2
3	C	1045267	Screw, Hex Head (1/4-20 x 3/4")	1	2
4		1019930	Insert, Threaded	1	4
5		1027095	Plug Button, Black (7/8")	1	2
6		1118469	Uni-Washer, Coved	1	2
7		1065362	Locknut (1/4-28)	1	2
8		1112992	Spacer (5/8 x 1/4 x 1/2")	1	2
9	C	1026099	Spacer, Coved (1/4 x 11/16 x 1/2")	1	2
10	A	1121591	Wheel Lock Attaching Hardware Kit (1 Pair)	2	1
11	B	1048656	Kit, Wheel Lock Shoe Spacer	1	2
			Spacer, Wheel Lock Shoe (1-45/64" Long)	1	1
			Screw, Set (#8-32 x 3/16")	1	2

NOTE: A - Includes items 1-9
 B - Includes Shoe Spacer and Screws
 C - Item 3 (Screw) and item 9 (Coved Spacer) are not required when chair has 20" rear wheels.

Wheel Lock - 12" Wheels

Compass Limited chairs (Pull to Lock)



Wheel Lock - 12" Wheels Compass Limited chairs (Pull to Lock)

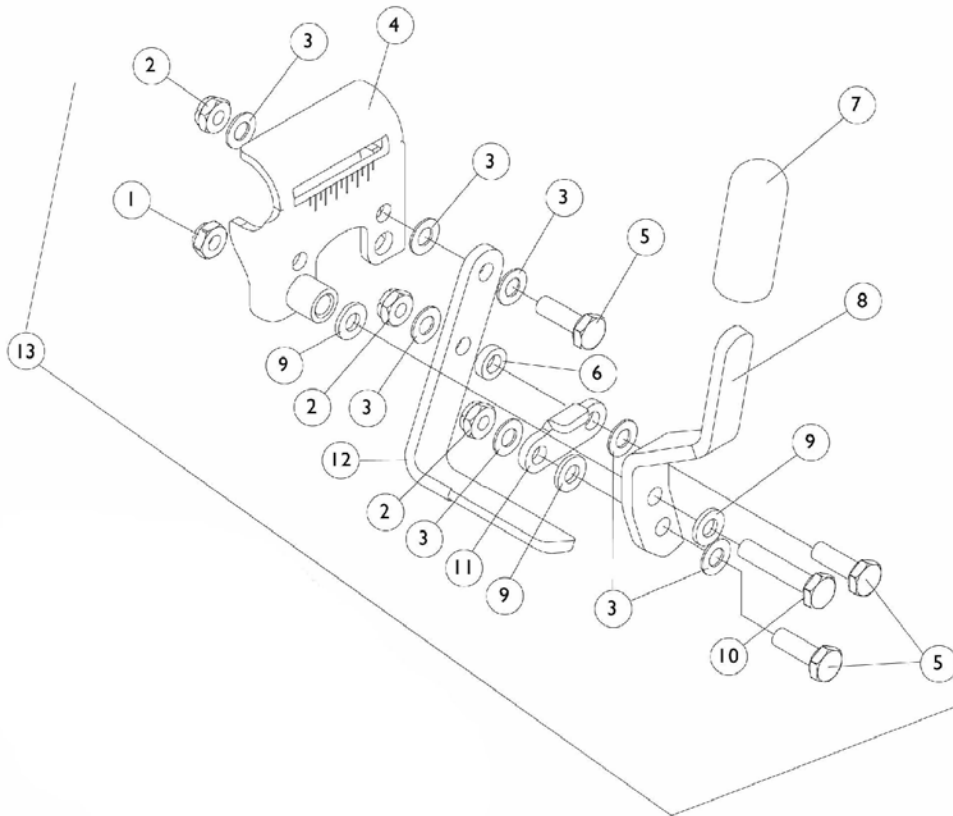
Item Number	Note	Part Number	Description	Quantity Per	
				Package	Assembly
1		1006490	Tip, Black	1	1
2		1055304	Screw, Button Head Socket (1/4-28 x 5/8")	1	2
3		1059284	Screw, Button Head Socket (1/4-28 x 1-1/4")	1	1
4		1059345	Handle, Wheel Lock -Right	1	1
4		1059346	Handle, Wheel Lock -Left	1	8
5		1026103	Washer, Nylon (1/4 x 1/2 x 1/32")	1	4
6		1025765	Locknut (1/4-28)	1	1
7		1055306	Screw, Button Head Cap (1/4-28 x 7/8")	1	1
8		1020363	Spacer (1/4 x 1/2 x 1/2")	1	1
9		1080551	Strap, Wheel Lock	1	1
10		1028411	Spacer (1/4 x 1/2 x 5/32")	1	1
11		1021405	Shoe, Wheel Lock	1	1
12		1018727	Link, Stop	1	1
13	A	1083090	Wheel Lock Assembly -Right	1	1
13	A	1083091	Wheel Lock Assembly -Left	1	1
14		1027268	Screw, Allen Head (1/4-20 x 1")	1	2
15		1043711	Clamp, Non-Threaded	1	1
16		1043712	Clamp, Threaded	1	1
17	B	1068210	Kit, Wheel Lock Attaching Hardware (1" Tubing)	1	2
14			Screw, Allen Head (1/4-20 x 1")	1	2
15			Clamp, Non-Threaded	1	1
16			Clamp, Threaded	1	1
18		1008438	Screw, Set (#8-32 x 3/16")	1	2
19	C	1067279	0	1	1

NOTE: A - Includes items 1-12
 B - Includes items 14-16
 C - Includes Spacer and Set Screws (item 18)

Wheel Lock - 20", 22", & 24" Wheels

Compass SPT chairs (Push to Lock)

Wheel Lock Attaching Hardware is located in its own category.



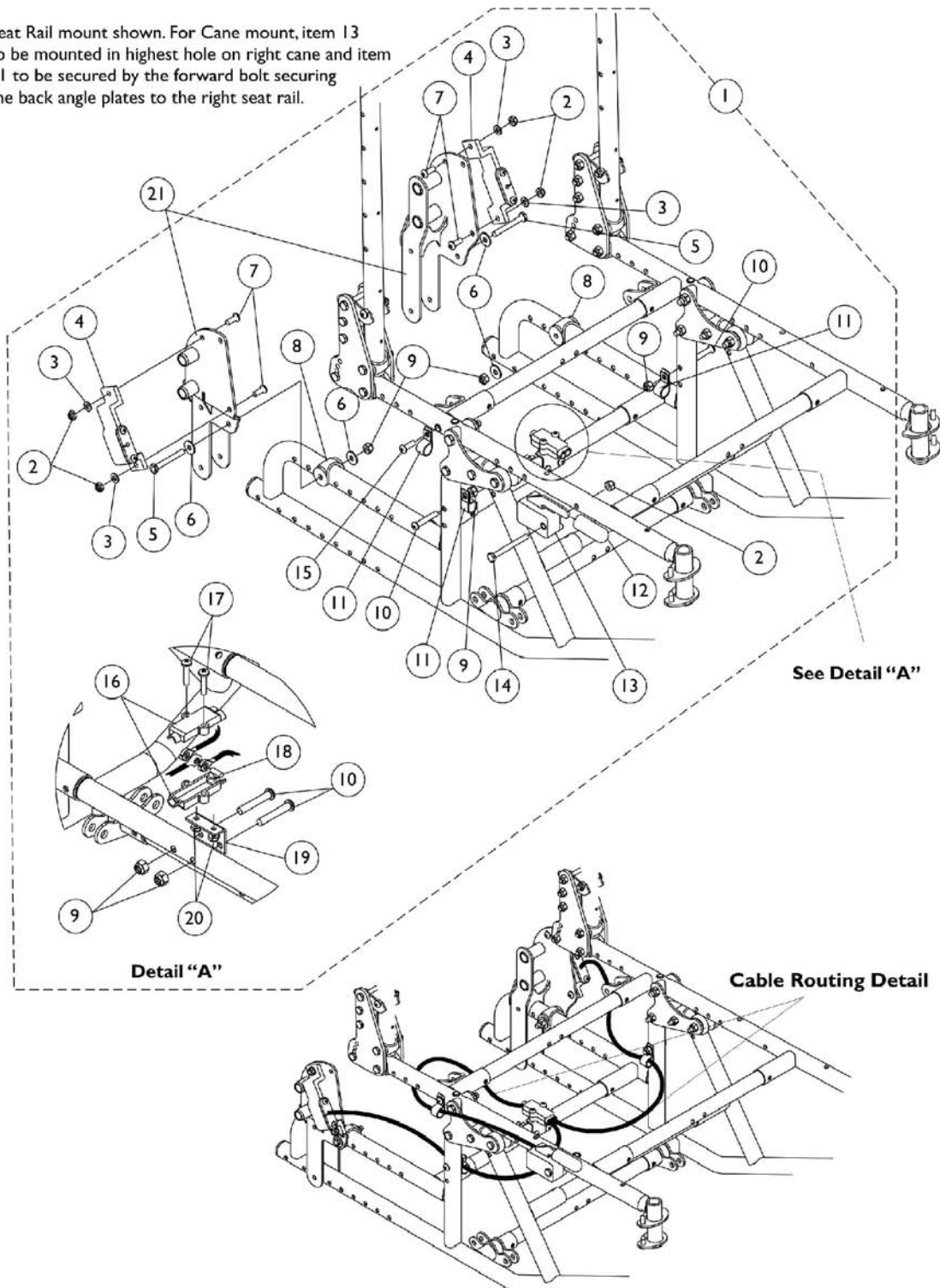
Wheel Lock - 20", 22", & 24" Wheels Compass SPT chairs (Push to Lock)

Wheel Lock Attaching Hardware is located in its own category.

Item Number	Note	Part Number	Description	Quantity Per	
				Package	Assembly
1		1025195	Locknut (1/4-20)	1	1
2		1025765	Locknut (1/4-28)	1	1
3		1026103	Washer, Nylon (1/4 x 1/2 x 1/32")	1	7
4		1031787	Bracket, Mounting - Right	1	1
4		1031788	Bracket, Mounting - Left	1	1
5		1028687	Screw, Hex Head Cap (1/4-28 x 3/4")	1	3
6		1026105	Spacer, Nylon (1/4 x 7/16 x 1/8")	1	1
7		47376X024	Tip, Wheel Lock Rubber	1	1
8		1021408	Handle, Wheel Lock -Right	1	1
8		1021409	Handle, Wheel Lock -Left	1	1
9		1026033	Washer, Nylon (1/4 x 1/2 x 1/16")	1	3
10		1021406	Screw, Hex Head Cap (1/4-20 x 1-1/4")	1	1
11		1021404	Link	1	1
12		1021405	Shoe, Wheel Lock	1	1
13		1031792	Wheel Lock Assembly w/o attaching Hardware, Adult - Right	1	1
13		1031793	Wheel Lock Assembly w/o attaching Hardware, Adult - Left	1	1

Hublock Wheel Lock Cables and Hardware

Seat Rail mount shown. For Cane mount, item 13 to be mounted in highest hole on right cane and item 11 to be secured by the forward bolt securing the back angle plates to the right seat rail.



Hublock Wheel Lock Cables and Hardware

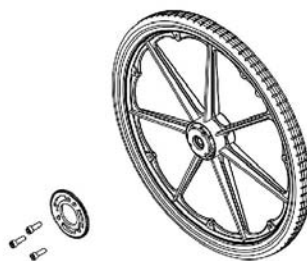
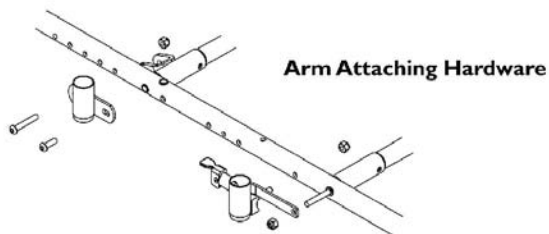
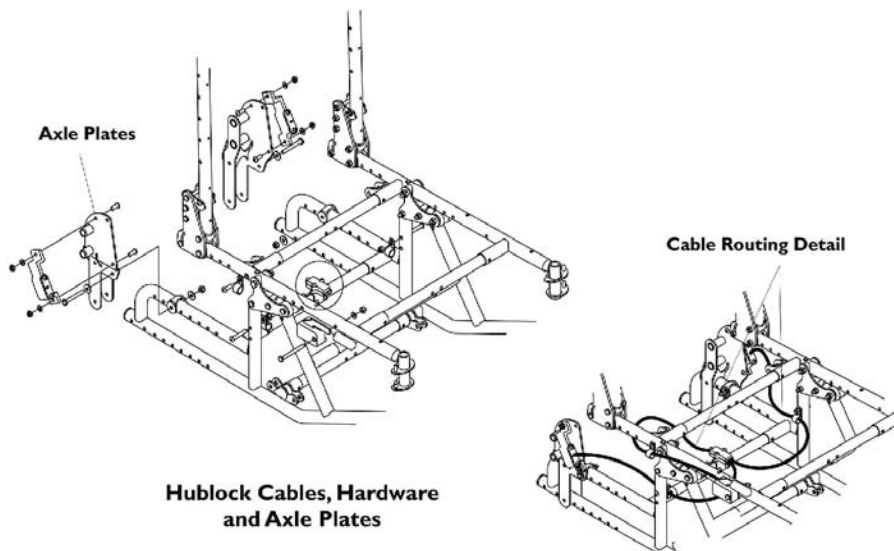
Item Number	Note	Part Number	Description	Quantity Per	
				Package	Assembly
1	A,B,C	1132609	Kit, Hublock Cables and Hardware	1	1
2			Locknut (1/4-28)	1	5
3			Washer (1/4 x 1/2 x 1/16")	1	5
4			Latch with Cable Assembly, Hublock - Right	1	1
4			Latch with Cable Assembly, Hublock - Left	1	1
5			Screw, Hex Head (1/4-28 x 2")	1	2
6			Washer (1/4 x 23/32 x 1/16")	1	4
7			Screw, Button Head Socket Cap (1/4-28 x 3/4")	1	4
8			Uni-Washer, Coved	1	2
9			Locknut (1/4-28)	1	6
10			Screw, Socket Button Head (1/4-28 x 1-1/2")	1	4
11			Bracket, Cable/Wire Mount	1	3
12			Tip, Black	1	1
13			Actuator w/ Cable Assembly, Hand	1	1
14			Screw, Socket Head Cap (1/4-20 x 2-1/4")	1	1
15			Screw, Socket Head (1/4-20 x 3/4")	1	1
16			Box, Junction Cable	1	2
17			Screw, Button Head Socket (#10-32 x 1")	1	2
18			Pin (3/16 x 1/2")	1	1
19			Box, Junction Cable	1	1
20			Locknut (#10-32)	1	2
4	B	1132357	Latch with Cable Assembly, Hublock - Right	1	1
4	B	1132358	Latch with Cable Assembly, Hublock - Left	1	1
16		1132375	Box, Junction Cable	1	1
12		1127688	Package, Plastic Tips	10	1
13	B	1132602	Actuator w/ Cable Assembly, Hand	1	1
21		1132383	Plate, Rear Axle Hublock - Right	1	1
21		1132384	Plate, Rear Axle Hublock - Left	1	1

NOTE: A - Includes items 2-20
 B - Items 4 and 13 include the cable which is shown in the cable routing detail
 C - Items 4, 8, 12, & 13 are sold separately as service parts.

Hublock Wheel Lock Retro-Fit Kits

Retro-Fit Kits include Hublock Cables w/ Hdwr., Axle Plates, Arm Attaching Hdwr., 20"/22"/ or 24" Wheels, Wheel Hubs, Gear Hdwr., and Owner's Manual. For a detailed breakdown of parts please refer to the appropriate category in this catalog.

When adding hublocks to an existing chair always use wheels provided with kit.



Hublock Wheel Lock Retro-Fit Kits

Retro-Fit Kits include Hublock Cables w/ Hdwr., Axle Plates, Arm Attaching Hdwr., 20"/22"/ or 24" Wheels, Wheel Hubs, Gear Hdwr., and Owner's Manual. For a detailed breakdown of parts please refer to the appropriate category in this catalog.

When adding hublocks to an existing chair always use wheels provided with kit.

Hublock Wheel Lock Retro-Fit Kits

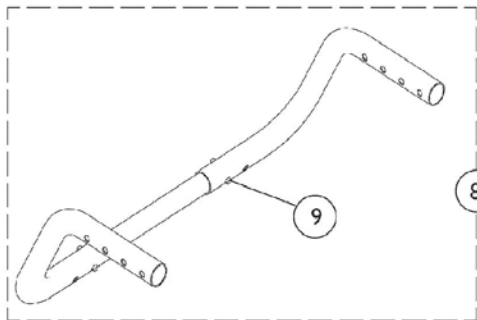
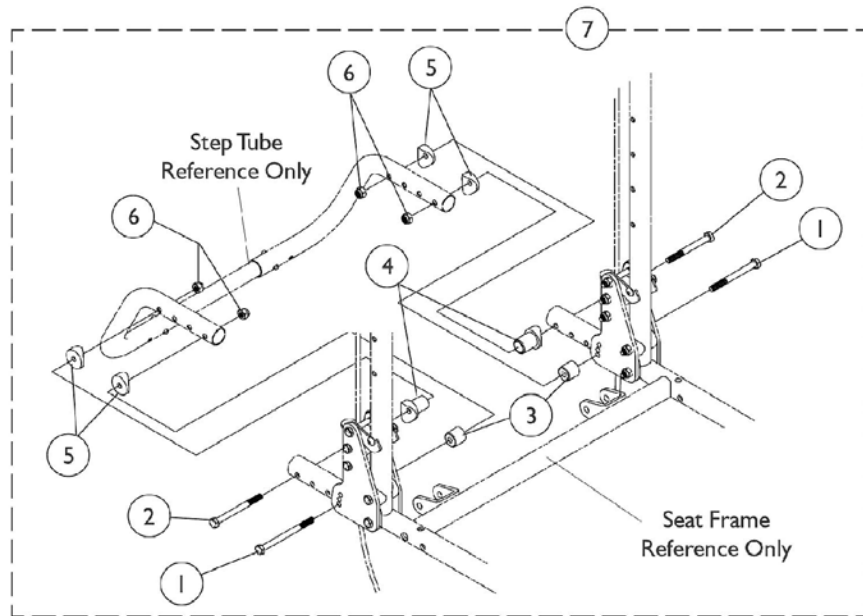
Wheel Style	Hublock Kit Part Number
20" Composite w/ Pneumatic Tire	1140362
20" Composite Pneumatic w/ Flat Free Insert	1140363
20" Composite w/ Urethane Tire	1140364
22" Composite w/ Pneumatic Tire	1140365
22" Composite Pneumatic w/ Flat Free Insert	1140366
22" Composite w/ Urethane Tire	1140367
24" Composite w/ Pneumatic Tire	1140368
24" Composite Pneumatic w/ Flat Free Insert	1140369
24" Composite w/ Urethane Tire	1140370
24" Composite w/ KIK Tire	1140371

Retro-Fit Kits include Hublock Cables w/ Hdwr., Axle Plates, Arm Attaching Hdwr., 20"/22"/ or 24" Wheels, Wheel Hubs, Gear Hdwr., and Instruction Sheet. For a detailed breakdown of parts please refer to the appropriate category in this catalog.

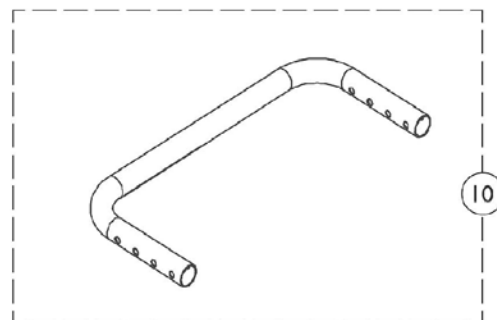
Miscellaneous Accessories

Part Number	Description	Package Quantity
See Adult Tilt Foot Assist Category	Adult Tilt Foot Assist	1
See Axle and Anti-Tip Category	Anti-Tipper	1
1081106	Back Pack	1
1027644	Calf Strap 14-18" Wide (26" Long)	1
1032243	Calf Strap 19-22" Wide (36" Long)	1
1068210	Clamp with Hardware, 3/4" to 1"	1
1034204	Crutch & Cane Holder	1
1032003	H-Strap (14-15" Wide) (20-1/2" Long)	1
1032002	H-Strap (16-18" Wide) (26" Long)	1
1032001	H-Strap (19-22" Wide) (34" Long)	1
1026987	Impact Guard 8" Long	1
1034625.	Positioning Strap Airline Syle (14-19" Wide)	1
1034752	Positioning Strap Airline Syle (20-22" Wide)	1
1004310	Positioning Strap Auto Syle (14-19" Wide)	1
1034625	Positioning Strap Auto Style (20-22" Wide)	1
1034744	Positioning Strap Hook & Loop (14-19" Wide)	1
1034745	Positioning Strap Hook & Loop (20-22" Wide)	1
1109324	Seat Pouch 8-1/2" W x 7" H x 4" D	1
See Adj. Stroller Handle Category	Stroller Handle -Adjustable Angle	1
See Stroller Handle (1483) Category	Stroller Handle -1483	1
40176X010	Tire Pump	1
1038599	Wheel Lock Extensions, 6" (1 Pair)	2

Adult Tilt Foot Assist Option (ATFA)



Step Tube Assembly
chairs built **Before 2/1/04**



Step Tube Assembly
chairs built **After 1/31/04**

Adult Tilt Foot Assist Option (ATFA)

Item Number	Note	Part Number	Description	Quantity Per	
				Package	Assembly
1		1064329	Screw, Hex Head Cap (1/4-28 x 3-1/2")	1	2
2		1063208	Screw, Hex Head Cap (1/4-28 x 3-1/4")	1	2
3		1064328	Spacer, Nylon (1/4 x 3/4 x 5/8")	1	2
4		1017148	Plug, Pivot	1	2
5		40157X020	Spacer, Coved (1/4 x 1 x 9/16")	1	4
6		1055366	Locknut (1/4-28)	1	4
7	E	1064330	Adult Tilt Foot Assist Mounting Hardware	1	1
8	D,F,A	1064070	Step Tube Assembly without Hardware	1	1
8	B,D,F	1064069	Step Tube Assembly without Hardware	1	1
8	C,D,F	1064068	Step Tube Assembly without Hardware	1	1
9	F	1025763	Spring, Double Button	1	1
10	G	See Chart	See Footnote	1	1
	H	1064591	Instruction Sheet, Tilt Foot Assist	1	1

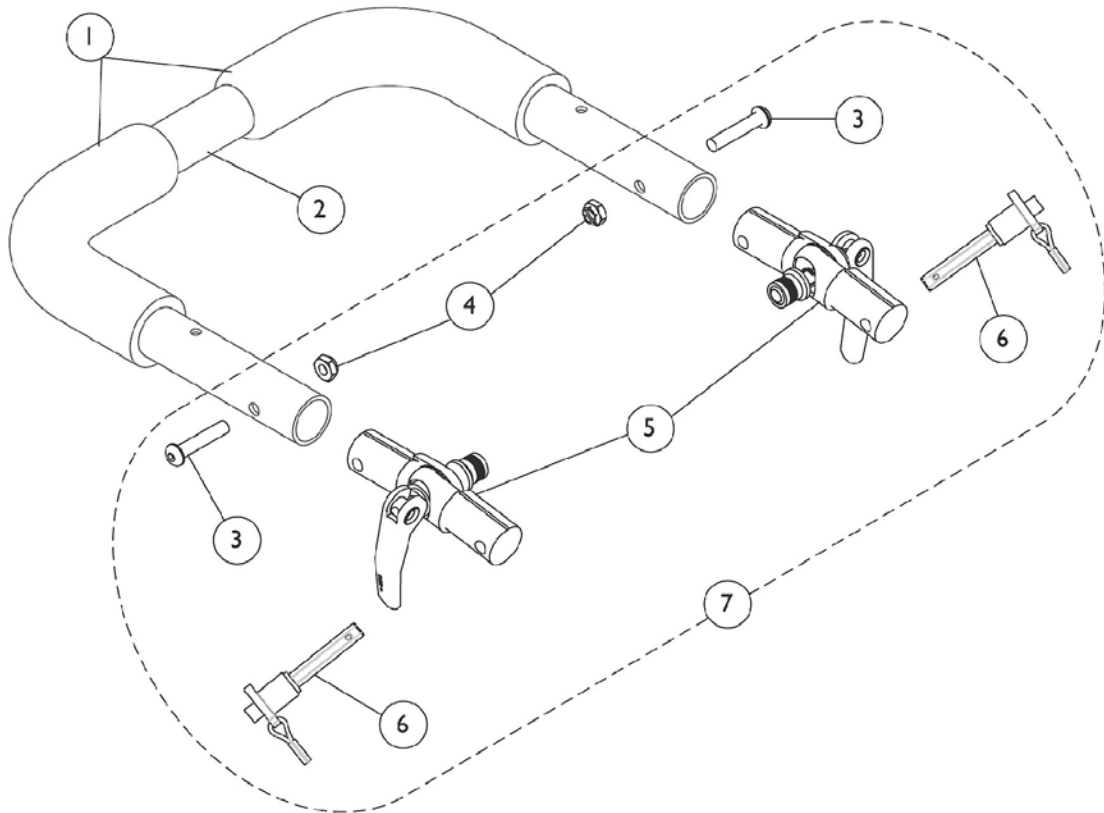
NOTE: A - 15-17" Wide (Not available on 14" wide chairs).
 B - 18-20" Wide
 C - 21-22" Wide
 D - Step Tube Assembly does not include attaching hardware, order item #7 to attach ATFA option.
 E - Includes items 1-6
 F - Chairs built Before 2/1/04
 G - Chairs built After 1/31/04. See Step Tube Assembly Chart.
 H - Not Shown

#10 Step Tube Assembly (After 1/31/04)

Chair Width	Part Number
14"	1124007
15"	1124008
16"	1124009
17"	1124010
18"	1124011
19"	1124012
20"	1124013
21"	1124014
22"	1124015

Adjustable Angle Stroller Handle

Before 8/16/05



Adjustable Angle Stroller Handle Before 8/16/05

Item Number	Note	Part Number	Description	Quantity Per	
				Package	Assembly
1		1133698	Grip, Foam Hand (9" Long)	1	2
2	A	See Chart	#2 Push Handle with Grip (14-18" Wide)	1	1
2	A	See Chart	#2 Push Handle with Grip (19-22" Wide)	1	1
3		1055309	Screw, Button Head (1/4-28 x 1-1/4")	1	2
4		1025765	Locknut (1/4-28)	1	4
5		1112539	Folding Hinge Assembly	1	2
6		1045470	Pin, Quick Release with Lanyard	1	2
7	B	1114689	Stroller Handle Hinge Hardware (1 Pair)	2	1

NOTE: A - See Push Handle w/ Grip Charts
B - Includes items 3-6

#2 Push Handle with Grip (14-18" Wide)

14" Wide	15" Wide	16" Wide	17" Wide	18" Wide
1082622	1082623	1082624	1086406	1086407

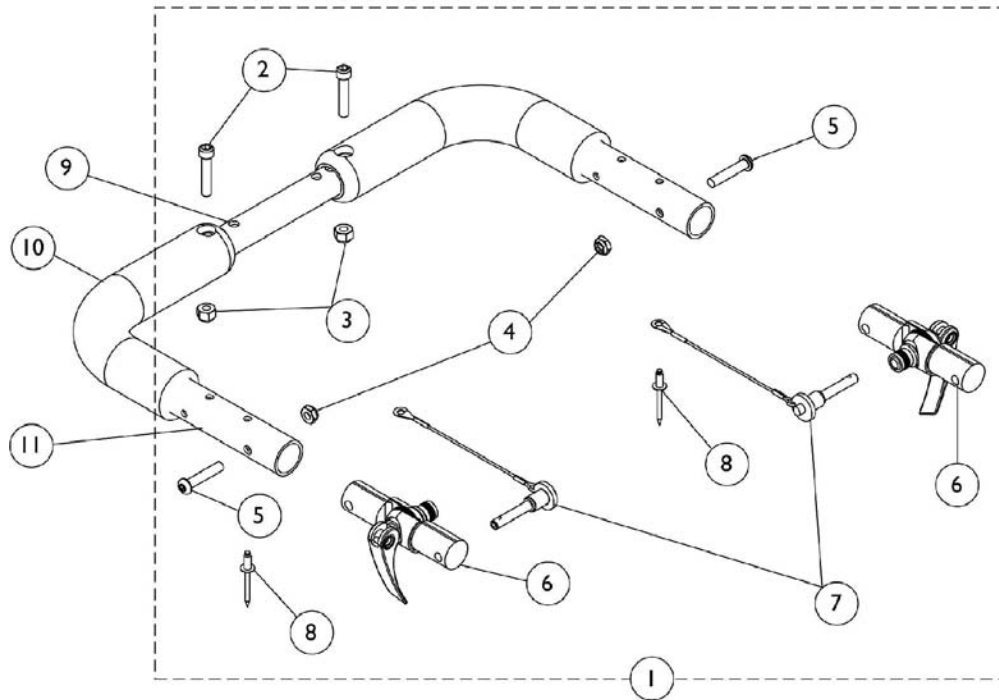
#2 Push Handle with Grip (19-22" Wide)

19" Wide	20" Wide	21" Wide	22" Wide
1086408	1086409	1086410	1086411

Adjustable Angle Stroller Handle

After 8/15/05

Stroller Handle Hardware (item 1) includes hardware only (items 2-8). If a complete Stroller Handle is needed then items 9 & 11 must be ordered as well.



Adjustable Angle Stroller Handle

After 8/15/05

Stroller Handle Hardware (item 1) includes hardware only (items 2-8). If a complete Stroller Handle is needed then items 9 & 11 must be ordered as well.

Item Number	Note	Part Number	Description	Quantity Per	
				Package	Assembly
1	A	1127791	Kit, Adjustable Angle Stroller Handle Hardware	1	1
2			Screw, Allen Head (1/4-28 x 1-1/4")	1	2
3			Locknut (1/4-28)	1	2
4			Locknut (1/4-28)	1	2
5			Screw, Button Head (1/4-28 x 1-1/4")	1	2
6			Folding Hinge Assembly	1	2
7			Pin, Quick Release with Lanyard	1	2
8			Rivet (3/16 x 7/16")	1	2
9		See Chart	#9 Crossbrace Tube	1	1
10		1127767	Grip, Foam (9")	1	2
11	B	1127789	Stroller Handle Assembly - Right/Left	1	2

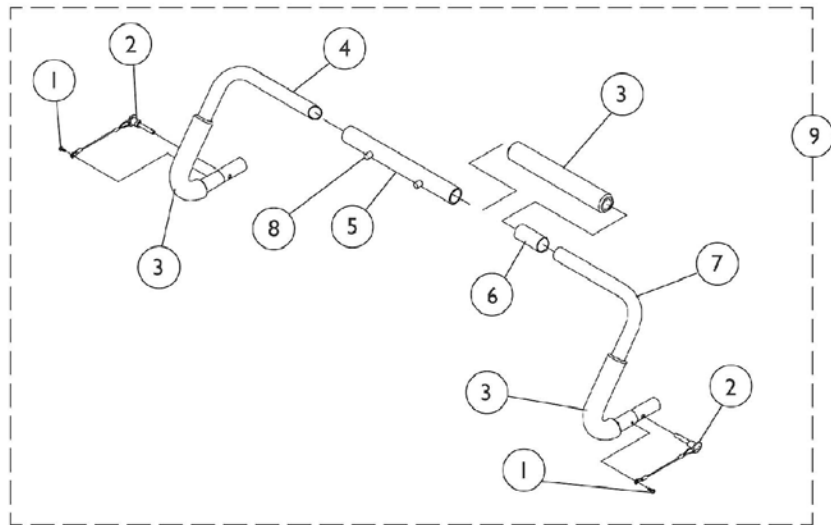
NOTE: A - Includes items 2-8
B - Includes item 10, Foam Grip

#9 Crossbrace Tube

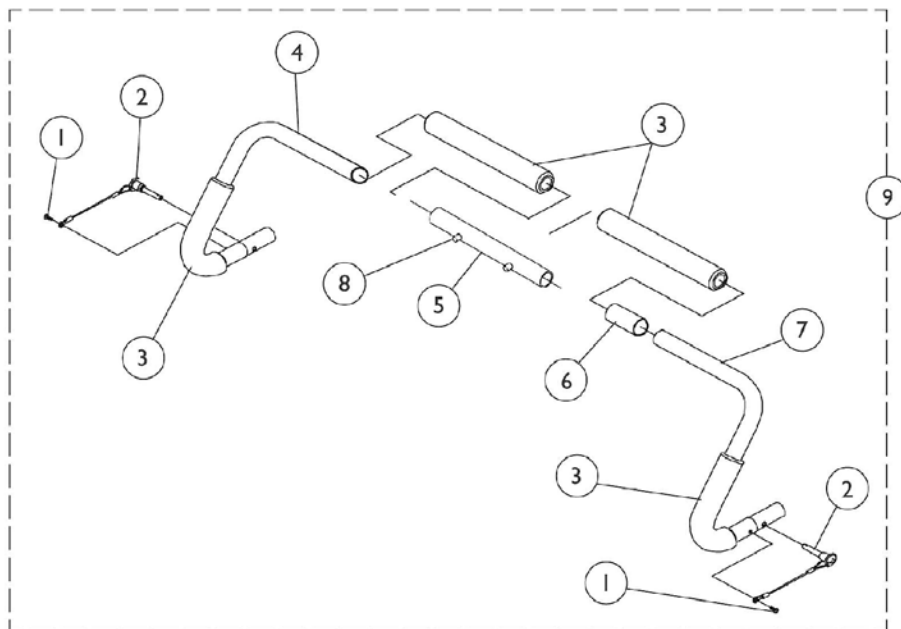
14"-15" Wide	16"-17" Wide	18"-22"
1129474	1129475	1129476

Non-Adjustable Rigidizing Stroller Handle - 1483

Before 8/16/05



14-17" Wide Chairs



18-22" Wide Chairs

Non-Adjustable Rigidizing Stroller Handle - 1483 Before 8/16/05

Item Number	Note	Part Number	Description	Quantity Per	
				Package	Assembly
1		1014386	Screw, Socket Head (#8-32 x 5/8")	1	2
2		1045470	Pin, Quick Release with Lanyard	1	2
3	G	1016254	Grip, Hand	1	4
4	A	1055228	Stroller Handle -Left (Black)	1	1
4	B	1045552	Stroller Handle -Left (Black)	1	1
5	A	1055226	Slide Tube w/ Snap Buttons	1	1
5	C	1045361	Slide Tube w/ Snap Buttons	1	1
5	D	1045360	Slide Tube w/ Snap Buttons	1	1
6	E	See Chart	#6 Spacer Tube	1	1
7	A	1055227	Stroller Handle -Right (Black)	1	1
7	B	1045551	Stroller Handle -Right (Black)	1	1
8		40188X009	Button, Single Snap	1	2
9	F	See Chart	#9 Stroller Handle Assembly - Black	1	1

NOTE: A - 14-15" Wide Chairs
 B - 16-22" Wide Chairs
 C - 16-20" Wide Chairs
 D - 21-22" Wide Chairs
 E - See Spacer Tube Chart
 F - See Stroller Handle Assembly Chart. Includes items 1-8.
 G - 14-17" wide chairs require 3 ea.; 18-22" wide chairs require 4 ea.

#6 Spacer Tube

14" Wide	15" Wide	16" Wide	17" Wide	18" Wide
1049515	1049516	Not Required	1049513	1046178
19" Wide	20" Wide	21" Wide	22" Wide	
1049514	1049515	1049516	1049517	

#9 Stroller Handle Assembly - Black

Includes items 1-8

14" Wide	15" Wide	16" Wide	17" Wide	18" Wide
1055231	1055232	1049140	1049141	1045362
19" Wide	20" Wide	21" Wide	22" Wide	
1049142	1049143	1049144	1049145	

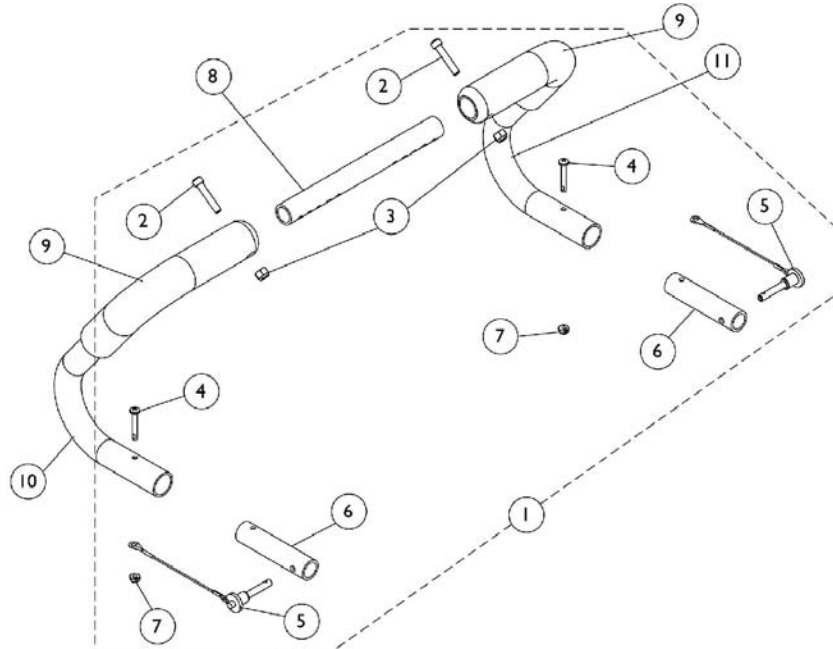
Non-Adjustable Rigidizing Stroller Handle - 1483

Before 8/16/05

Non-Adjustable Rigidizing Stroller Handle - 1483

After 8/15/05

Stroller Handle Hardware (item 1) includes hardware only (items 2-7). If a complete Stroller Handle is needed then items 8, 10, & 11 must be ordered as well.



Item Number	Note	Part Number	Description	Quantity Per	
				Package	Assembly
1	A	1127689	Kit, Non-Adjustable Stroller Handle Hardware	1	1
2			Screw, Allen Head (1/4-28 x 1-1/4")	1	2
3			Locknut (1/4-28)	1	2
4			Screw, Round Head Machine (#10-32 x 1-1/4")	1	2
5			Pin, Quick Release with Lanyard	1	2
6			Tube, Insert	1	2
7			Locknut (#10-32)	1	2
8		See Chart	#8 Crossbrace Tube	1	1
9		1127767	Grip, Foam (9")	1	2
10	B	1127690	Stroller Handle Assembly - Right	1	1
11	B	1127691	Stroller Handle Assembly - Left	1	1

NOTE: A - Includes items 2-7
B - Includes item 9, Foam Grip

#8 Crossbrace Tube

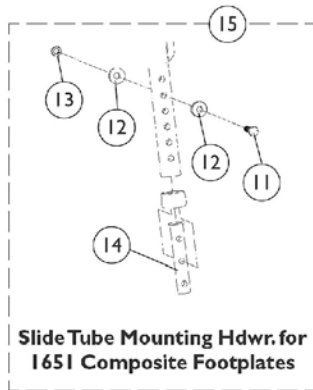
14"-15" Wide	16"-17" Wide	18"-22"
1129474	1129475	1129476

Non-Adjustable Rigidizing Stroller Handle - 1483

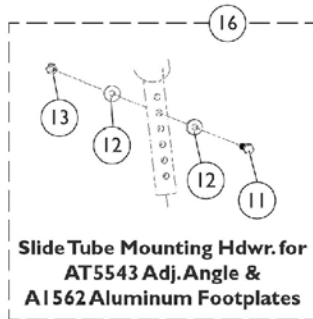
After 8/15/05

Stroller Handle Hardware (item 1) includes hardware only (items 2-7). If a complete Stroller Handle is needed then items 8, 10, & 11 must be ordered as well.

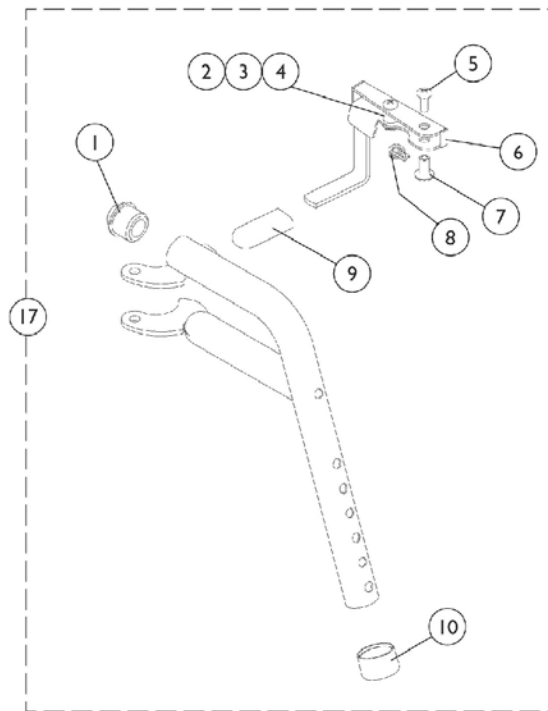
Footrest Support Assembly - PHW93 (Pin Style)



Slide Tube Mounting Hdwr. for
1651 Composite Footplates



Slide Tube Mounting Hdwr. for
AT5543 Adj. Angle &
A1562 Aluminum Footplates



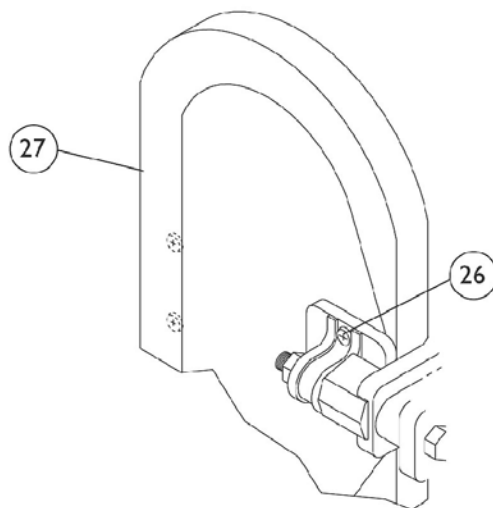
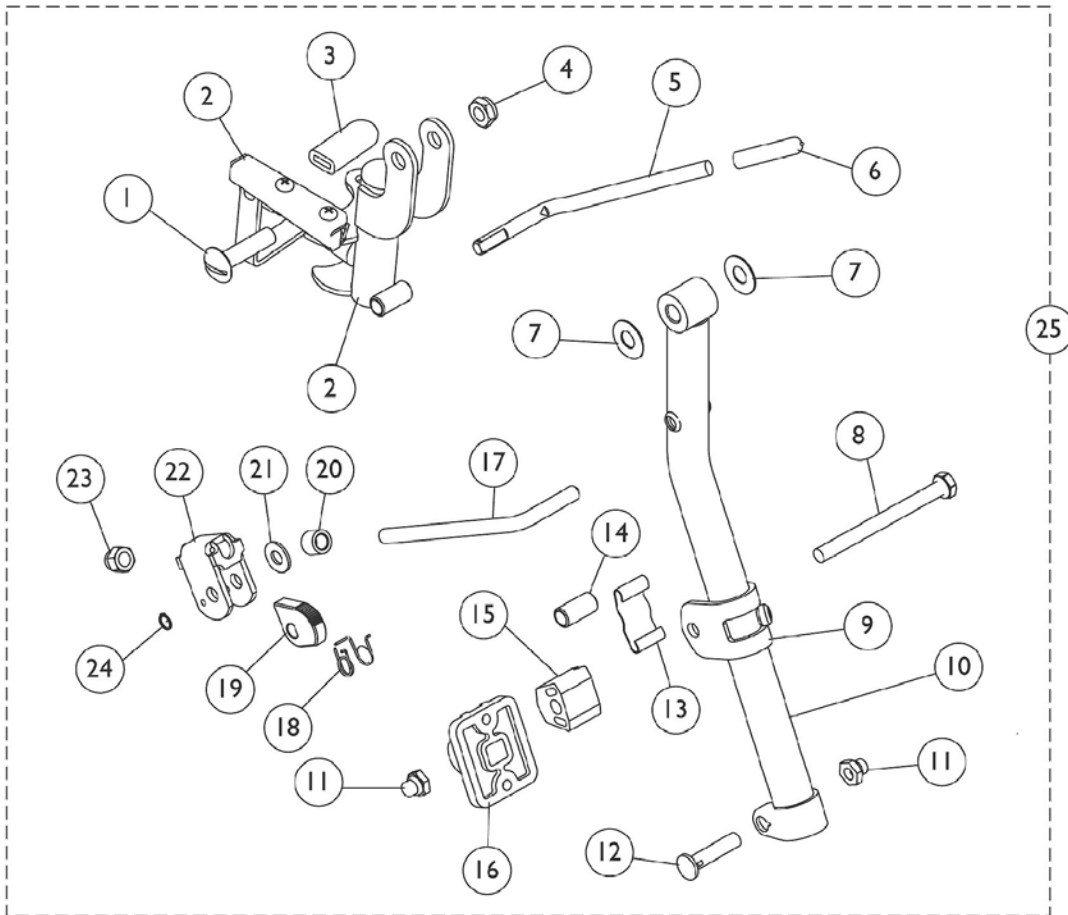
Footrest Support Assembly - PHW93 (Pin Style)

Item Number	Note	Part Number	Description	Quantity Per	
				Package	Assembly
1		1020719	Plug, Anti-Rattle	1	1
2		1025716	Screw, Phillips Head (#10-32 x 11/16")	1	1
3		47565X057	Bushing (7/32 x 3/8 x 11/32")	1	1
4		1025735	Locknut (#10-32)	1	1
5		1026114	Screw, Phillips Pan Head (#10-32 x 1/2")	1	1
6	A	1114749	Release Handle (Black) - Right	1	1
6	A	1114750	Release Handle (Black) - Left	1	1
7		1028846	Rivnut (#10-32)	1	1
8		1028707	Spring, Release - Right	1	1
8		1028708	Spring, Release - Left	1	1
9		1006490	Tip, Black	1	1
10		15680X012	Collar, Anti-Rattle (7/8")	1	1
11		1070759	Screw, Hex Head Cap (1/4-20 x 1-1/2")	1	1
12		1026099	Spacer, Coved (1/4 x 11/16 x 1/2")	1	2
13		1044214	Nut, Hex with Nylon Cap (1/4-20)	1	1
14		1020534	Insert, Threaded	1	1
15	B	1074143	Kit, Slide Tube Mounting Hardware	1	1
16	C	1121612	Slide Tube Mounting Hardware	1	1
17	D	1114755	Support Assembly, (Black) Hemi - Right	1	1
17	D	1114756	Support Assembly, (Black) Hemi - Left	1	1

NOTE: A - Includes items 2-4
 B - Used with 1651 Composite Footplates. Includes items 11-14.
 C - Used with AT5543 Adj. Angle and A1562 Aluminum Footplates. Includes items 11-13.
 D - Includes items 1-10

Legrest Support Assembly - PH904A (Pin Style)

Legrest Support does not include Legrest Pad



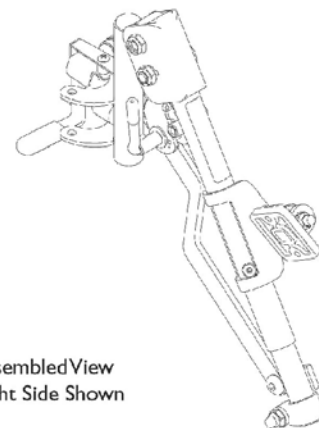
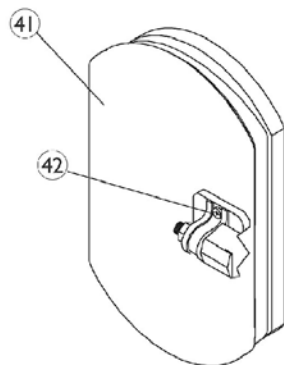
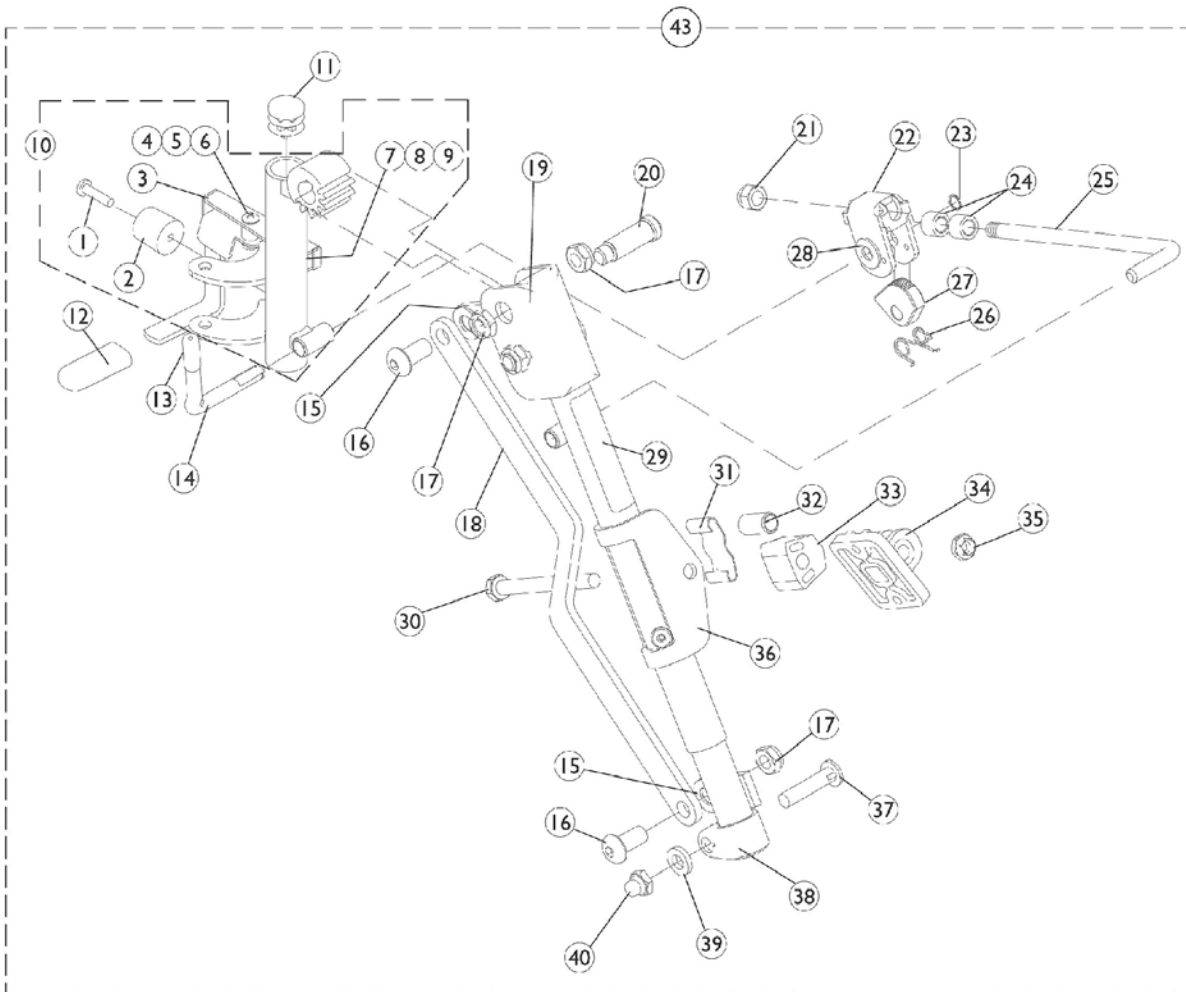
Legrest Support Assembly - PH904A (Pin Style)

Legrest Support does not include Legrest Pad

Item Number	Note	Part Number	Description	Quantity Per	
				Package	Assembly
1		11919X000	Screw, Truss Head (3/8-16 x 1-1/2")	1	1
2		1114753	Support Bracket Assembly, Legrest (Black) - Right	1	1
2		1114754	Support Bracket Assembly, Legrest (Black) - Left	1	1
3		1006490	Tip, Black	1	1
4		40363X000	Hex Nut (3/8"-16)	1	1
5		1037126	Handle, Release	1	1
6		1040060	Tip	1	1
7		1058636	Washer, Nylon (25/64 x 7/8 x 1/32")	1	2
8		1037110	Screw, Hex Head (5/16-24 x 3-1/2")	1	1
9		1110207	Bracket, Calf Pad, Black	1	1
10	E	8881048851	Tube, Elevating Support (Color) - Right	1	1
10	E	8881048852	Tube, Elevating Support (Color) - Left	1	1
11		1107321	Nut, Low Cap (5/16"-24)	1	2
12		1026030	Screw, Lug (5/16-24 x 1-3/8")	1	1
13		48823X008	Spring	1	1
14		47328X003	Bushing, Pivot (5/16 x 7/16 x 7/8")	1	1
15		1025133	Spacer, Legrest Pad	1	1
16		04526X019	Plate, Legrest Pad	1	1
17		1113030	Bar, Ratchet	1	1
18		1037485	Spring, Release	1	1
19		1037125	Cam, Legrest	1	1
20		47330X003	Spacer (5/16 x 1/2 x 3/8")	1	1
21		1013519	Washer, Nylon (5/16 x 11/16 x 1/16")	1	1
22		04528X002	Bracket, Release (Chrome)	1	1
23		10261X000	Acorn Nut (5/16"-24)	1	1
24		1040831	Snap Ring	1	1
25	A,E	8881114757	Legrest Support Assembly w/o Pad (Color) Hemi - Right	1	1
25	A,E	8881114758	Legrest Support Assembly w/o Pad (Color) Hemi - Left	1	1
26		1068649	Screws, Phillips Head (#10-32 x 11/16")	2	1
27	B,D	88804529X003	Pad, Legrest Vinyl - Right	1	1
27	B,D	88804529X004	Pad, Legrest Vinyl - Left	1	1
27	C,D	8881091764	Pad, Legrest Vinyl - Right/Left	1	1
NOTE: A - Includes items 1-24 B - 14-15" Wide Chairs C - 16-22" Wide Chairs D - Specify U67 Black upholstery color when ordering. E - Specify 34P Flat Black Frame Finish When Ordering.					

Articulating Legrest Support - PHAL4A (Pin Style)

Legrest Support does not include Legrest Pad



Articulating Legrest Support - PHAL4A (Pin Style)

Legrest Support does not include Legrest Pad

Item Number	Note	Part Number	Description	Quantity Per	
				Package	Assembly
1		1030979	Screw, Phillips Pan Head Tap (#10-32 x 3/4")	1	1
2		1022874	Bumper	1	1
3		1114751	Release Handle (Chrome) - Right	1	1
3		1114752	Release Handle (Chrome) - Left	1	1
4		47565X057	Bushing (7/32 x 3/8 x 11/32")	1	1
5		60279X003	Locknut (#10-32)	1	1
6		40163X008	Screw, Phillips Pan Head (#10-32 x 11/16")	1	1
7		1008935	Spring, Release - Right	1	1
7		1008936	Spring, Release - Left	1	1
8		67005X000	Rivnut (#10-32)	1	1
9		40163X002	Screw, Phillips Head (#10-32 x 1/2")	1	1
10		1114759	Tube, Legrest Support (Chrome) Hemi - Right	1	1
10		1114760	Tube, Legrest Support (Chrome) Hemi - Left	1	1
11		1027097	Plug Button, Black (3/4")	1	1
12		1006490	Tip, Black	1	1
13		1040060	Tip	1	1
14		1037126	Handle, Release	1	1
15		1049527	Washer, Nylon (3/8 x 3/4 x 1/16")	1	2
16		1022866	Screw, Socket Button Head (3/8-16 x 3/4")	1	2
17		40363X000	Hex Nut (3/8"-16)	1	3
18		1022846	Bar, Link	1	1
19		1022877	Tube Support and Drive Link - Right	1	1
19		1022878	Tube Support and Drive Link - Left	1	1
20		1022854	Screw, Slotted Head Shoulder (1/2 x 1-1/8")	1	1
21		10261X000	Acorn Nut (5/16"-24)	1	1
22		04528X002	Bracket, Release (Chrome)	1	1
23		1040831	Snap Ring	1	1
24		47328X003	Bushing, Pivot (5/16 x 7/16 x 7/8")	1	2
25		42326X004	Bar, Ratchet - Right/Left	1	1
26		1037485	Spring, Release	1	1
27		1037125	Cam, Legrest	1	1
28		1013519	Washer, Nylon (5/16 x 11/16 x 1/16")	1	1
29		1024911	Decal, Smartleg	1	1
30		1014807	Screw, Hex Head (5/16-24 x 3-1/4")	1	1
31		48823X008	Spring	1	1
32		47328X003	Bushing, Pivot (5/16 x 7/16 x 7/8")	1	1
33		1025133	Spacer, Legrest Pad	1	1
34		04526X019	Plate, Legrest Pad	1	1
35		60264X001	Locknut (5/16-24)	1	1
36		1025104	Bracket, Legrest (Chrome)	1	1
37		11232X009	Screw, Lug (5/16-24 x 1-3/8")	1	1
38		1022848	Slide Tube, Articulating (Chrome) - Right	1	1

Articulating Legrest Support - PHAL4A (Pin Style)

Legrest Support does not include Legrest Pad

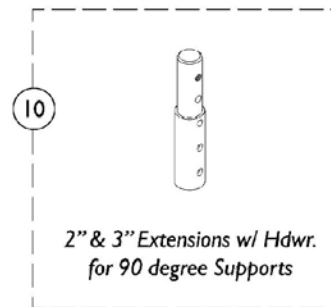
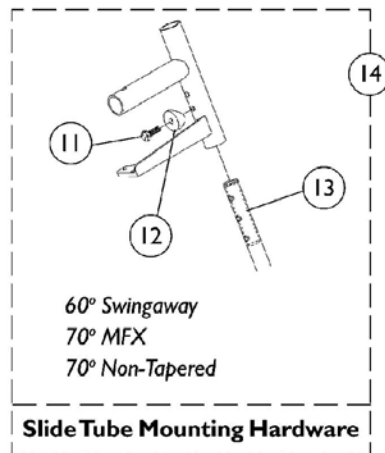
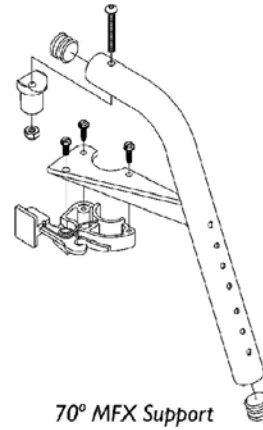
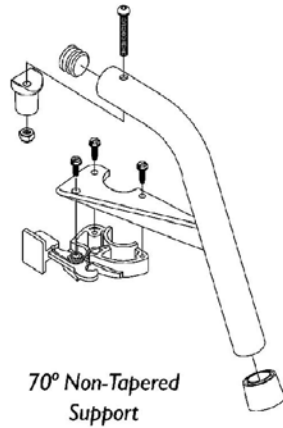
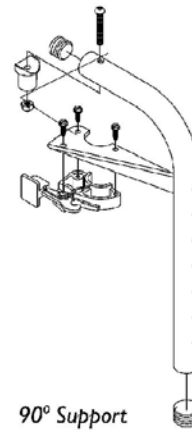
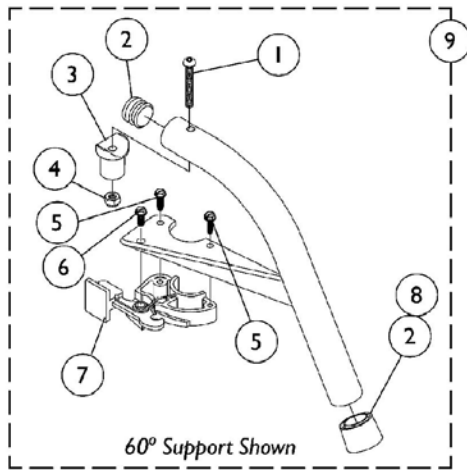
Item Number	Note	Part Number	Description	Quantity Per	
				Package	Assembly
38		1022849	Slide Tube, Articulating (Chrome) - Left	1	1
39		1027377	Washer (#20)	1	1
40		1107321	Nut, Low Cap (5/16"-24)	1	1
41	A	8881091764	Pad, Legrest Vinyl - Right/Left	1	1
42		1066591	Screws, Phillips Head (#10-32 x 11/16")	2	1
43	B	1114761	Legrest Support Assembly w/o Pad (Chrome) Hemi - Right	1	1
43	B	1114762	Legrest Support Assembly w/o Pad (Chrome) Hemi - Left	1	1

NOTE: A - Specify upholstery color U67 black when ordering.
B - Includes items 1-40

Footrest Support Assemblies

Swingaway 60°, 70°, and 90° (Center Pivot)

Available only on Rear Wheel Drive chairs



Footrest Support Assemblies Swingaway 60°, 70°, and 90° (Center Pivot)

Available only on Rear Wheel Drive chairs

Item Number	Note	Part Number	Description	Quantity Per	
				Package	Assembly
1		1022831	Screw, Button Head (1/4-20 x 1-7/8")	1	1
2		1029501	Plug Button (1")	1	1
3		1017148	Plug, Pivot	1	1
4		1025736	Locknut (1/4-20)	1	1
5		1025451	Screw, Hex Head (#10-32 x 5/8")	1	2
6		1017423	Screw, Hex Head (#10-32 x 1/2")	1	1
7		1025454	Latch Housing - Right	1	1
7		1025455	Latch Housing - Left	1	1
8		1026124	Anti-Rattle Collar	1	1
9	A,B	See Chart	#9 Footrest Support Assemblies (60°, 70°, and 90°)	1	1
10		1118544	Extension Kit, 2" w/ Hardware	1	1
10		8881038231	Kit, 3" Extension w/ Hardware	2	1
11		1045267	Screw, Hex Head (1/4-20 x 3/4")	1	1
12		1026099	Spacer, Coved (1/4 x 11/16 x 1/2")	1	2
13		1020534	Insert, Threaded	1	2
14	D	1026703	Kit, Pivot/Slide Tube Mounting Hardware	2	1
	C	1026987	Impact Guard, 8" Long	1	1

NOTE: A - Specify frame finish when ordering.
 B - Includes footrest support and items 1-8.
 C - Not Shown
 D - Includes items 11-13

#9 Footrest Support Assemblies (60°, 70°, and 90°)

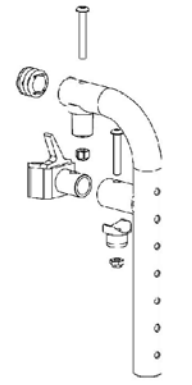
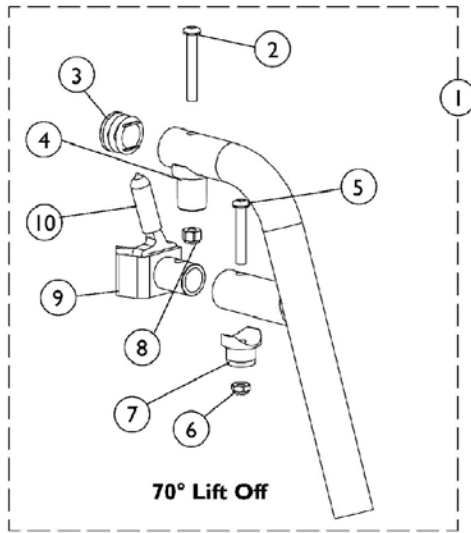
Includes footrest support and items 1-8

Footrest Support Style	60° Swingaway	70° Non Tapered	70° MFX	90° Swingaway
Right	8881026992	8881026994	8881047481	8881062596
Left	8881026993	8881026995	8881047480	8881062597

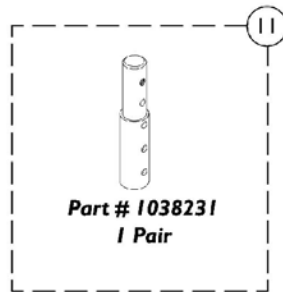
Specify frame finish when ordering

Lift Off Footrest Support Assemblies

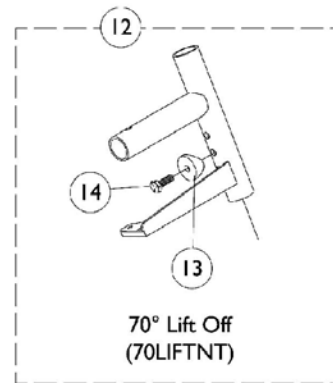
70° and 90°



90° Lift MFX



**3" Extension w/ Hdwr.
for 90 degree Supports**



**70° Lift Off
(70LIFTNT)**

Slide Tube Mounting Hardware

Lift Off Footrest Support Assemblies 70° and 90°

Item Number	Note	Part Number	Description	Quantity Per	
				Package	Assembly
1	A,B	See Chart	#1 Lift Off Footrest Support Assemblies (70° and 90°)	1	1
2		1001762	Screw, Socket Button Head (1/4-20 x 1-3/4")	1	1
3		1029501	Plug Button (1")	1	1
4		1017148	Plug, Pivot	1	1
5		1083099	Screw, Socket Button Head (1/4-28 x 1-1/2")	1	1
6		1025765	Locknut (1/4-28)	1	1
7		1128273	Pivot	1	1
8		1025736	Locknut (1/4-20)	1	1
9	C	1128283	Latch Assembly - Right	1	1
9	C	1128284	Latch Assembly - Left	1	1
10		1129492	Package, Tip Protective	10	1
11	A	8881038231	Kit, 3" Extension w/ Hardware	2	1
12	D	1028004	Kit, Pivot Slide Tube Mounting Hardware	2	1
13		1026099	Spacer, Coved (1/4 x 11/16 x 1/2")	1	2
14		1045267	Screw, Hex Head (1/4-20 x 3/4")	1	1

NOTE: A - Specify frame finish when ordering.
 B - Includes Footrest Support and items 2-10
 C - Includes item 10, Protective Tip
 D - Includes items 13-14

#1 Lift Off Footrest Support Assemblies (70° and 90°)

Includes Footrest Support and items 2-9

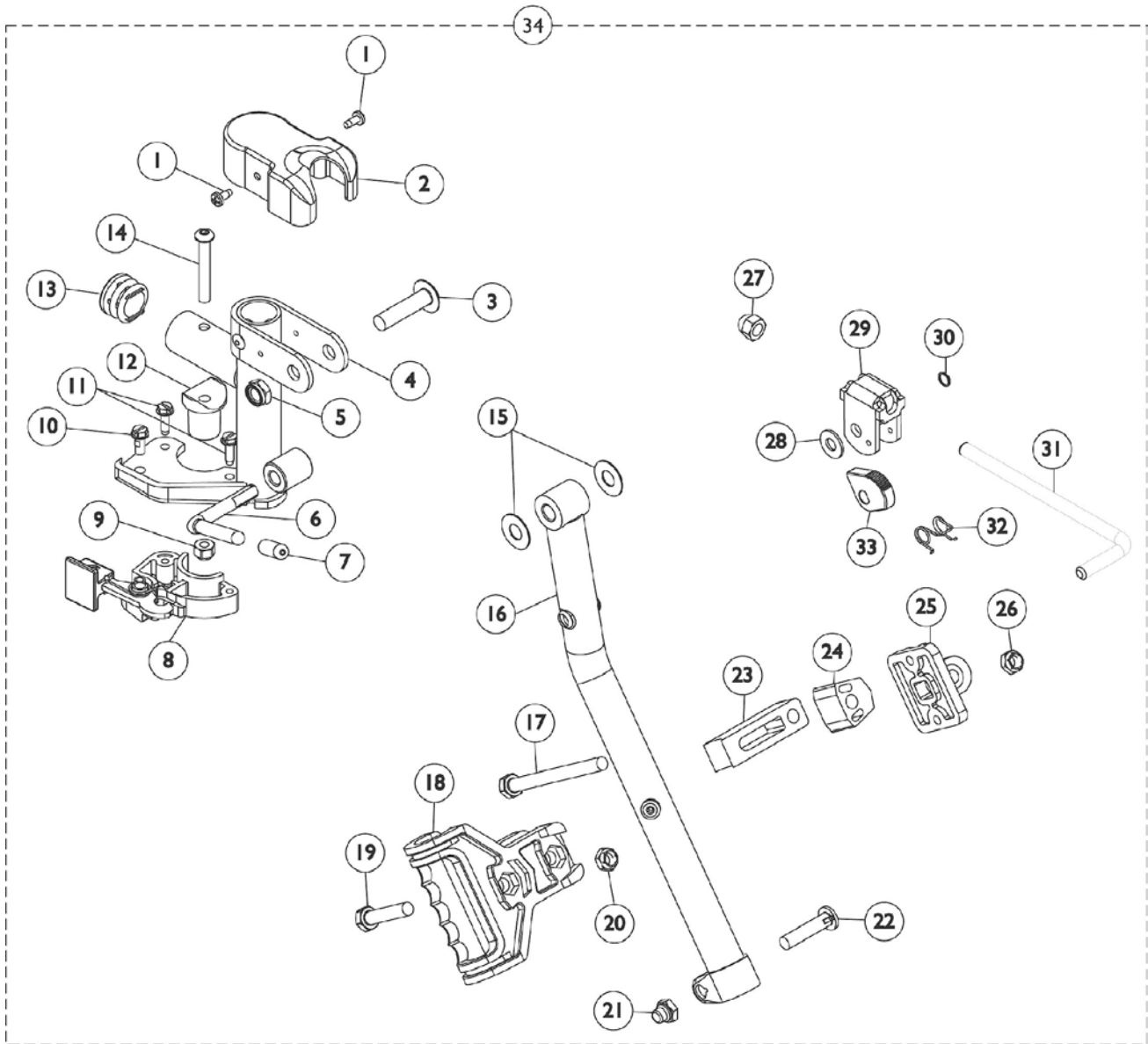
Footrest Support	70°	90° MFX
Right	8881128286	8881128829
Left	8881128287	8881128830

Specify frame finish when ordering

Legrest Support Assembly - AT5044

Ratchet Style (Before 9/21/05)

Specify frame finish when ordering. Legrest Support does not include Legrest Pad. Available only on Rear Wheel Drive chairs



Legrest Support Assembly - AT5044

Ratchet Style (Before 9/21/05)

Specify frame finish when ordering. Legrest Support does not include Legrest Pad. Available only on Rear Wheel Drive chairs

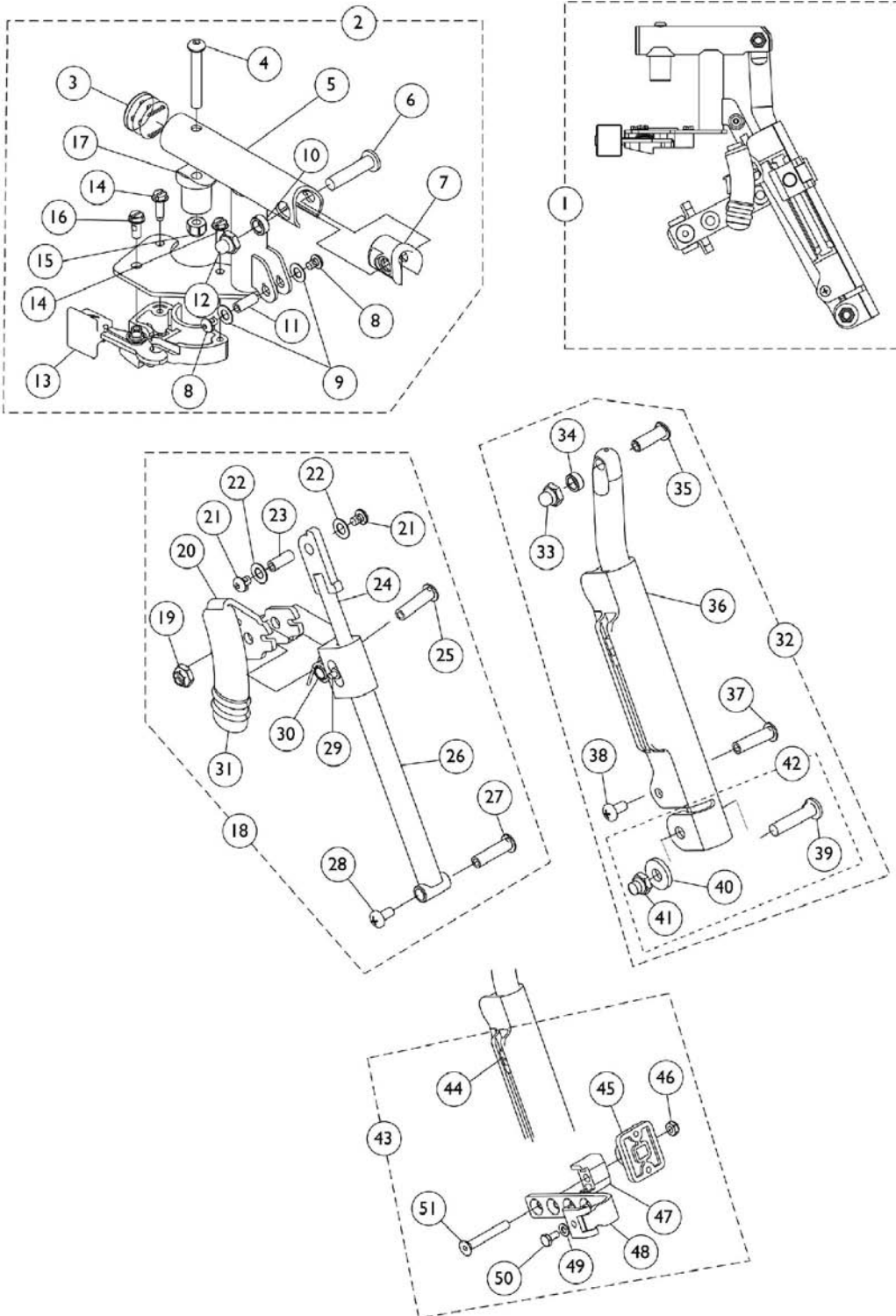
Item Number	Note	Part Number	Description	Quantity Per	
				Package	Assembly
1		1025729	Screw, Self Tapping Pan Head (#8-32 x 3/8")	1	2
2		1017187	Cover, Top	1	1
3		11919X000	Screw, Truss Head (3/8-16 x 1-1/2")	1	1
4		8881045289	Bracket, Legrest Support - Right	1	1
4		8881045290	Bracket, Legrest Support - Left	1	1
5		40363X000	Hex Nut (3/8"-16)	1	1
6		1037126	Handle, Release	1	1
7		1040060	Tip	1	1
8		1025454	Latch Housing - Right	1	1
8		1025455	Latch Housing - Left	1	1
9		1025736	Locknut (1/4-20)	1	1
10		1017423	Screw, Hex Head (#10-32 x 1/2")	1	1
11		1025451	Screw, Hex Head (#10-32 x 5/8")	1	2
12		1017148	Plug, Pivot	1	1
13		1029501	Plug Button (1")	1	1
14		1001762	Screw, Socket Button Head (1/4-20 x 1-3/4")	1	1
15		1058636	Washer, Nylon (25/64 x 7/8 x 1/32")	1	2
16		8881048851	Tube, Elevating Support (Color) - Right	1	1
16		8881048852	Tube, Elevating Support (Color) - Left	1	1
17		1037110	Screw, Hex Head (5/16-24 x 3-1/2")	1	1
18		1032266	Bracket, Legrest Pad Mounting	1	1
19		1028514	Screw, Hex Head (5/16-24 x 1-1/2")	1	1
20		1025730	Locknut (5/16-24)	1	1
21		1107321	Nut, Low Cap (5/16"-24)	1	1
22		1026030	Screw, Lug (5/16-24 x 1-3/8")	1	1
23		1032267	Spacer, Legrest Pad Mounting	1	1
24		1025133	Spacer, Legrest Pad	1	1
25		04526X019	Plate, Legrest Pad	1	1
26		1025730	Locknut (5/16-24)	1	1
27		10261X000	Acorn Nut (5/16"-24)	1	1
28		1013519	Washer, Nylon (5/16 x 11/16 x 1/16")	1	1
29		04528X002	Bracket, Release (Chrome)	1	1
30		1040831	Snap Ring	1	1
31		42326X001	Bar, Ratchet	1	1
32		1037485	Spring, Release	1	1
33		1037125	Cam, Legrest	1	1
34	A	8881045291	Legrest Support Assembly w/o Pad - Right	1	1
34	A	8881045292	Legrest Support Assembly w/o Pad - Left	1	1

NOTE: A - Includes Items 1-33

Legrest Support Assembly - AT5044

Wedge Style ("D" shaped tubing) Introduced 9/21/05

Specify frame finish when ordering. Legrest Support does not include Legrest Pad.



Legrest Support Assembly - AT5044

Wedge Style ("D" shaped tubing) Introduced 9/21/05

Specify frame finish when ordering. Legrest Support does not include Legrest Pad.

Item Number	Note	Part Number	Description	Quantity Per	
				Package	Assembly
1	A,G	8881128698	Legrest Assembly, Elevating - Right	1	1
1	A,G	8881128699	Legrest Assembly, Elevating - Left	1	1
2	B,G	8881130747	Support Assembly, Legrest - Right	1	1
3			Plug Button (1")	1	1
4			Screw, Socket Button Head (1/4-20 x 1-3/4")	1	1
5			Bracket, Legrest Support - Right	1	1
6			Screw, Lug (5/16-24 x 1-3/8")	1	1
7			Plug, Insert (7/8")	1	1
8			Screw, Button Head Cap (10-32 x 1/4")	1	2
9			Washer (1/4 x 1/2 x 1/32")	1	2
10			Spacer (5/16 x 1/2 x 3/16")	1	1
11			Spacer, Threaded (10-32 x 1/4 x 5/8")	1	1
12			Nut, Low Cap (5/16"-24)	1	1
13			Latch Housing - Right	1	1
14			Screw, Hex Head (#10-32 x 5/8")	1	2
15			Locknut (1/4-20)	1	1
16			Screw, Hex Head (#10-32 x 1/2")	1	1
17			Plug, Pivot	1	1
3		1140823	Package, Plug Buttons (1")	10	1
2	B,G	8881130748	Support Assembly, Legrest - Left	1	1
3			Plug Button (1")	1	1
4			Screw, Socket Button Head (1/4-20 x 1-3/4")	1	1
5			Bracket, Legrest Support - Left	1	1
6			Screw, Lug (5/16-24 x 1-3/8")	1	1
7			Plug, Insert (7/8")	1	1
8			Screw, Button Head Cap (10-32 x 1/4")	1	2
9			Washer (1/4 x 1/2 x 1/32")	1	2
10			Spacer (5/16 x 1/2 x 3/16")	1	1
11			Spacer, Threaded (10-32 x 1/4 x 5/8")	1	1
12			Nut, Low Cap (5/16"-24)	1	1
13			Latch Housing - Left	1	1
14			Screw, Hex Head (#10-32 x 5/8")	1	2
15			Locknut (1/4-20)	1	1
16			Screw, Hex Head (#10-32 x 1/2")	1	1
17			Plug, Pivot	1	1
3		1140823	Package, Plug Buttons (1")	10	1
18	C	1130749	Pivot Rod Assembly - Right	1	1
19			Locknut (1/4-20)	1	1
20			Lever, Release - Right	1	1
21			Screw, Button Head Cap (10-32 x 1/4")	1	2
22			Washer (1/4 x 1/2 x 1/32")	1	2
23			Spacer, Threaded (10-32 x 1/4 x 5/8")	1	1

Legrest Support Assembly - AT5044

Wedge Style ("D" shaped tubing) Introduced 9/21/05

Specify frame finish when ordering. Legrest Support does not include Legrest Pad.

Item Number	Note	Part Number	Description	Quantity Per	
				Package	Assembly
24			Rod, Pivot	1	1
25			Screw, Button Head (1/4-20 x 1-1/4")	1	1
26			Guide, Pivot Rod	1	1
27			Rivnut (10-32 x 1")	1	1
28			Screw, Pan Head (#10-24 x 3/8")	1	1
29			Pin, Roller	1	1
30			Spring, Torsion	1	1
31			Cap, Brake	1	1
31		1130584	Package, Tips	10	1
18	C	1130750	Pivot Rod Assembly - Left	1	1
19			Locknut (1/4-20)	1	1
20			Lever, Release - Left	1	1
21			Screw, Button Head Cap (10-32 x 1/4")	1	2
22			Washer (1/4 x 1/2 x 1/32")	1	2
23			Spacer, Threaded (10-32 x 1/4 x 5/8")	1	1
24			Rod, Pivot	1	1
25			Screw, Button Head (1/4-20 x 1-1/4")	1	1
26			Guide, Pivot Rod	1	1
27			Rivnut (10-32 x 1")	1	1
28			Screw, Pan Head (#10-24 x 3/8")	1	1
29			Pin, Roller	1	1
30			Spring, Torsion	1	1
31			Cap, Brake	1	1
31		1130584	Package, Tips	10	1
32	D,G	8881130751	Kit, Elevating Support Tube - Right	1	1
33			Nut, Low Cap (5/16"-24)	1	1
34			Spacer (5/16 x 1/2 x 3/16")	1	1
35			Screw, Lug (5/16-24 x 1-3/8")	1	1
36			Tube, Elevating Legrest Support, Color - Right	1	1
37			Rivnut (10-32 x 1")	1	1
38			Screw, Pan Head (#10-24 x 3/8")	1	1
39			Screw, Lug (5/16-24 x 1-3/8")	1	1
40			Washer (11/32 x 13/16 x 1/8")	1	1
41			Nut, Low Cap (5/16"-24)	1	1
32	D,G	8881130752	Kit, Elevating Support Tube - Left	1	1
33			Nut, Low Cap (5/16"-24)	1	1
34			Spacer (5/16 x 1/2 x 3/16")	1	1
35			Screw, Lug (5/16-24 x 1-3/8")	1	1
36			Tube, Elevating Legrest Support, Color - Left	1	1
37			Rivnut (10-32 x 1")	1	1
38			Screw, Pan Head (#10-24 x 3/8")	1	1
39			Screw, Lug (5/16-24 x 1-3/8")	1	1

Legrest Support Assembly - AT5044

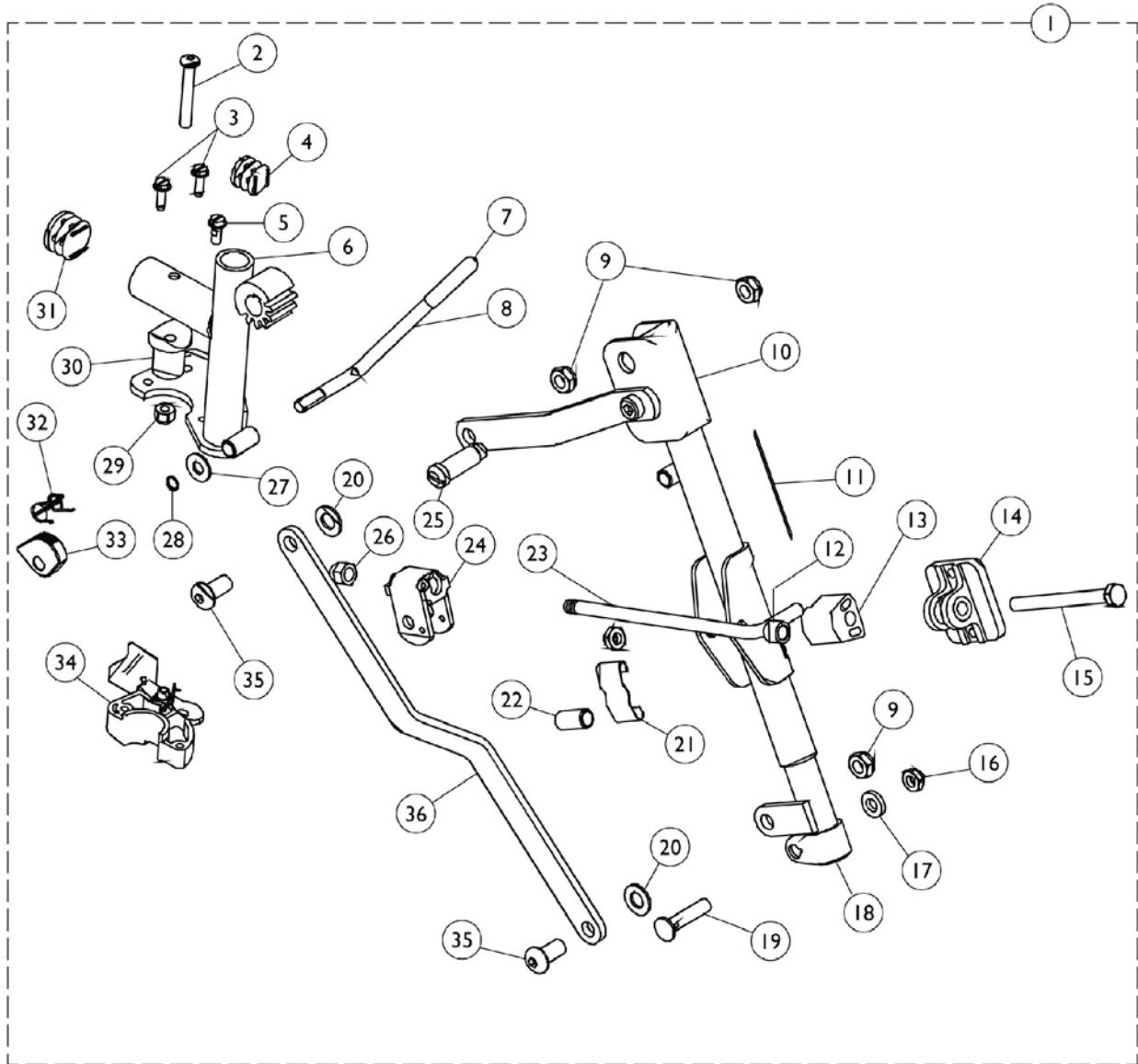
Wedge Style ("D" shaped tubing) Introduced 9/21/05

Specify frame finish when ordering. Legrest Support does not include Legrest Pad.

Item Number	Note	Part Number	Description	Quantity Per	
				Package	Assembly
40			Washer (11/32 x 13/16 x 1/8")	1	1
41			Nut, Low Cap (5/16"-24)	1	1
42	E	1130753	Kit, Pivot Slide Tube Attaching Hardware	1	1
39			Screw, Lug (5/16-24 x 1-3/8")	1	1
40			Washer (11/32 x 13/16 x 1/8")	1	1
41			Nut, Low Cap (5/16"-24)	1	1
43	F	1130754	Kit, Legrest Pad Hardware	1	1
44			T-Nut (1/4-20)	1	1
45			Plate, Legrest Pad	1	1
46			Locknut (5/16-18)	1	1
47			Spacer, Legrest Pad	1	1
48			Bracket, Adjustable Legrest Pad	1	1
49			Washer (1/4 x 1/2 x 1/16")	1	1
50			Screw, Hex Head Cap w/ Patch (1/4-20 x 1/2")	1	1
51			Screw, "C" Sunk Socket Head (5/16-18 x 2-1/4")	1	1
NOTE: A - Includes items 2,18,32, & 43 B - Includes items 3-17 C - Includes items 19-31 D - Includes items 33-41 E - Includes items 39-41 F - Includes items 44-51 G - Specify frame finish when ordering					

Articulating Legrest Support - ATL4A (Center Pivot)

Legrest Support does not include Legrest Pad. Available only on Rear Wheel Drive chairs



Articulating Legrest Support - ATL4A (Center Pivot)

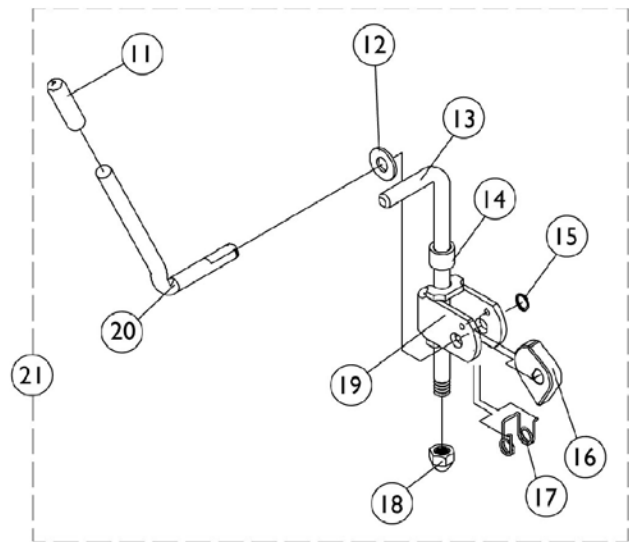
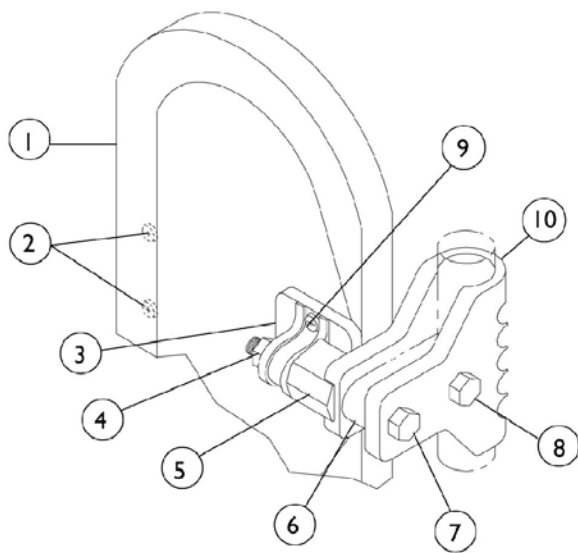
Legrest Support does not include Legrest Pad. Available only on Rear Wheel Drive chairs

Item Number	Note	Part Number	Description	Quantity Per	
				Package	Assembly
1		1082540	Articulating Legrest Support Assembly - Right	1	1
1		1082541	Articulating Legrest Support Assembly - Left	1	1
2		7930301	Pkg, Button Head Cap Screw (1/4-20 x 1-3/4")	25	1
3		1025451	Screw, Hex Head (#10-32 x 5/8")	1	2
4		1027097	Plug Button, Black (3/4")	1	1
5		7930314	Screw, Slotted Hex Head (#10-32 x 1/2")	25	1
6		1082538	Articulating Legrest Support - Right	1	1
6		1082539	Articulating Legrest Support - Left	1	1
7		1040060	Tip	1	1
8		1037126	Handle, Release	1	1
9		40363X000	Hex Nut (3/8"-16)	1	3
10		1022877	Tube Support and Drive Link - Right	1	1
10		1022878	Tube Support and Drive Link - Left	1	1
11		1024911	Decal, Smartleg	1	1
12		47330X003	Spacer (5/16 x 1/2 x 3/8")	1	1
13		1025133	Spacer, Legrest Pad	1	1
14		04526X019	Plate, Legrest Pad	1	1
15		1014807	Screw, Hex Head (5/16-24 x 3-1/4")	1	1
16		7930363	Pkg, Locknut (5/16"-24)	25	2
17		1027377	Washer (#20)	1	1
18		1022848	Slide Tube, Articulating (Chrome) - Right	1	1
18		1022849	Slide Tube, Articulating (Chrome) - Left	1	1
19		11232X009	Screw, Lug (5/16-24 x 1-3/8")	1	1
20		1049527	Washer, Nylon (3/8 x 3/4 x 1/16")	1	2
21		48823X008	Spring	1	1
22		47328X003	Bushing, Pivot (5/16 x 7/16 x 7/8")	1	1
23		42326X004	Bar, Ratchet - Right/Left	1	1
24		04528X002	Bracket, Release (Chrome)	1	1
25		1022854	Screw, Slotted Head Shoulder (1/2 x 1-1/8")	1	1
26		7930336	Nut, Acorn (5/16-24)	25	1
27		7930310	Washer, Nylon (5/16 x 11/16 x 1/16")	25	1
28		1037485	Spring, Release	1	1
29		7930333	Locknut (1/4-20)	25	1
30		1017148	Plug, Pivot	1	1
31		1029501	Plug Button (1")	1	1
32		1037485	Spring, Release	1	1
33		1037125	Cam, Legrest	1	1
34		1025454	Latch Housing - Right	1	1
34		1025455	Latch Housing - Left	1	1
35		1022866	Screw, Socket Button Head (3/8-16 x 3/4")	1	2
36		1022846	Bar, Link	1	1

Articulating Legrest Support - ATL4A (Center Pivot)

Legrest Support does not include Legrest Pad. Available only on Rear Wheel Drive chairs

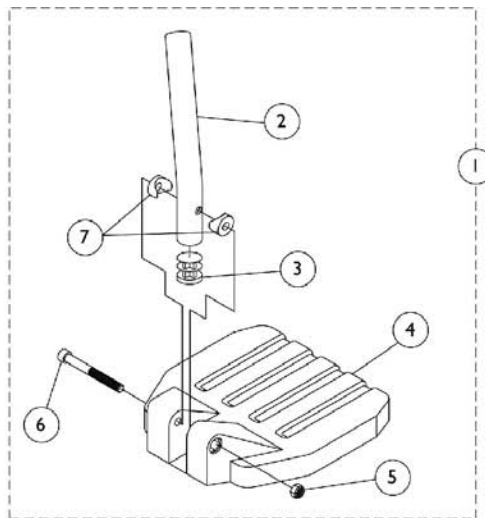
Legrest Calf Pads and Ratchet Assembly



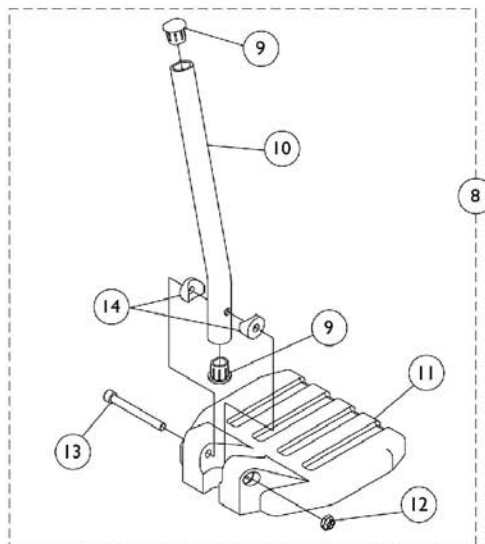
Legrest Calf Pads and Ratchet Assembly

Item Number	Note	Part Number	Description	Quantity Per	
				Package	Assembly
1	A,B	88804529X003	Pad, Legrest Vinyl - Right	1	1
1	A,B	88804529X004	Pad, Legrest Vinyl - Left	1	1
1	A,C,G	8881091764	Pad, Legrest Vinyl - Right/Left	1	1
2		40163X006	Screw, Phillips Head (#10-14 x 1/16")	1	1
3		04526X019	Plate, Legrest Pad	1	1
4		1025730	Locknut (5/16-24)	1	1
5		1025133	Spacer, Legrest Pad	1	1
6		1032267	Spacer, Legrest Pad Mounting	1	1
7		1037110	Screw, Hex Head (5/16-24 x 3-1/2")	1	1
8		1028514	Screw, Hex Head (5/16-24 x 1-1/2")	1	1
9		1066591	Screws, Phillips Head (#10-32 x 11/16")	1	1
10		1032266	Bracket, Legrest Pad Mounting	1	1
11		1040060	Tip	1	2
12		1013519	Washer, Nylon (5/16 x 11/16 x 1/16")	1	2
13	D	42326X004	Bar, Ratchet - Right/Left	1	2
13	E	42326X001	Bar, Ratchet	1	2
14		47330X003	Spacer (5/16 x 1/2 x 3/8")	1	2
15		1040831	Snap Ring	1	2
16		1037125	Cam, Legrest	1	2
17		1037485	Spring, Release	1	2
18		10261X000	Acorn Nut (5/16"-24)	1	2
19		04528X002	Bracket, Release (Chrome)	1	2
20		1037126	Handle, Release	1	2
21	D,G	1046329	Kit, Elevating Legrest Ratchet Hardware	2	1
21	E,G	1096974	Kit, Ratchet Elevating Legrest	2	1
	D,F	1042798	Instruction Sheet, Ratchet Kit	1	1
	E,F	1096943	Instruction Sheet, Ratchet Kit	1	1
NOTE: A - Specify U67 upholstery color when ordering. B - 14-15" wide chairs C - 16-22" wide chairs D - AT4A Articulating Legrests E - Used only on Ratchet Style AT5044 Elevating Legrests F - Not Shown G - Includes items 11-20 plus instruction sheet					

Footplate and Pivot Tube Assemblies - 1651 Composite



**Used on all front riggings except
Wedge Style Elevating Legrests AT5044**



Used on Wedge Style Elevating Legrests AT5044

Footplate and Pivot Tube Assemblies - 1651 Composite

Item Number	Note	Part Number	Description	Quantity Per	
				Package	Assembly
1	A	See Chart	#1 PHW93 Footrests	1	1
1	A	See Chart	#1 PH904A Legrests	1	1
1	A	See Chart	#1 60° Footrests (9-3/4-14")	1	1
1	A	See Chart	#1 70° Non Tapered Footrest (14-19")	1	1
1	A	See Chart	#1 AT5044 Elevating Legrest - Ratchet Style (16-20")	1	1
2	B	1057852	Pivot/Slide Tube, Curved End (9-7/8") (Steel)	1	1
2	C	1120382	Pivot Slide Tube, Curved End - Long (9-7/8" Long)	1	1
2	D	1120389	Pivot Slide Tube, Straight - Long (9-7/8")	1	1
2	E	1120390	Pivot Slide Tube, Straight - 2" Longer ALPT (11-7/8")	1	1
2	F	1120391	Pivot Slide Tube, Curved End - 2" Longer ALPT (11-7/8")	1	1
3		1134426	Package, Plug Buttons (3/4")	10	1
4		1026879	Footplate, Composite - Small (6" W x 6" L)	1	1
4		1026880	Footplate, Composite - Medium (7" W x 6" L)	1	1
4		1026881	Footplate, Composite - Large (8" W x 6" L)	1	1
5		1025195	Locknut (1/4-20)	1	1
6		60285X006	Screw, Socket Head Cap (1/4-20 x 2-1/4")	1	1
7		1025457	Spacer, Coved (1/4 x 3/4 x 11/32")	1	2
8	G	See Chart	#8 AT5044 Elevating Legrest - Wedge Style (16-20")	1	1
9		1134427	Package, Plug Buttons "D" Shaped (3/4")	10	1
10	H	1134428	Pivot Slide Tube Assembly w/ Plug Button	1	1
10	H	1134429	Pivot Slide Tube Assembly, 2" Longer w/ Plug Button	1	1
11		1026879	Footplate, Composite - Small (6" W x 6" L)	1	1
11		1026880	Footplate, Composite - Medium (7" W x 6" L)	1	1
11		1026881	Footplate, Composite - Large (8" W x 6" L)	1	1
12		1025195	Locknut (1/4-20)	1	1
13		60285X006	Screw, Socket Head Cap (1/4-20 x 2-1/4")	1	1
14		1025457	Spacer, Coved (1/4 x 3/4 x 11/32")	1	2
<p>NOTE: A - Includes items 2-7 B - PHW93 Footrests C - PH904A Legrest, 60° Footrest, and AT5044 Ratchet Style Legrest D - 70° Non-Tapered Footrest E - PHW93 w/ ALPT, PH904A w/ ALPT, 70° Non-Tapered Footrest w/ ALPT F - AT5044 Ratchet Style Legrest w/ ALPT G - Includes items 9-14 H - AT5044 Wedge Style Legrest</p>					

Footplate and Pivot Tube Assemblies - 1651 Composite

#1 PHW93 Footrests

Right/Left	Small Short 14" W	Small 2" Longer 14" W	Medium Short 15-16" W	Medium 2" Longer 15-16" W	Large Short 17-22" W	Large 2" Longer 17-22" W
Right	1057859	1120410	1057869	1120412	1057879	1120414
Left	1057860	1120411	1057870	1120413	1057880	1120415

#1 PH904A Legrests

Right/Left	Small Short 14" W	Small 2" Longer 14" W	Medium Short 15-16" W	Medium 2" Longer 15-16" W	Large Short 17-22" W	Large 2" Longer 17-22" W
Right	1028391	1120410	1028387	1120412	1028383	1120414
Left	1028392	1120411	1028388	1120413	1028384	1120415

#1 60° Footrests (Curved End) 9-3/4 - 14" Curved End

Right/Left	Small Long 14" wide	Medium Long 15-16" wide	Large Long 17-22" wide
Right	1028391	1028387	1028383
Left	1028392	1028388	1028384

#1 70° Non Tapered; 70LIFTNT Footrest 14-19" Straight

Right/Left	Small Short 14" wide	Small 2" Longer 14" wide	Medium Short 15-16" wide	Medium 2" Longer 15-16" wide	Large Short 17-22" wide	Large 2" Longer 17-22" wide
Right	1120404	1120410	1120406	1120412	1120408	1120414
Left	1120405	1120411	1120407	1120413	1120409	1120415

Footplate and Pivot Tube Assemblies - 1651 Composite

#1 AT5044 Elevating Legrest - Ratchet Style

16-20"

Curved End

Right/Left	Small Long 14" wide	Small 2" Longer 14" wide	Medium Long 15-16" wide	Medium 2" Longer 15-16" wide	Large Long 17-22" wide	Large 2" Longer 17-22" wide
Right	1028391	1120416	1028387	1120418	1028383	1120420
Left	1028392	1120417	1028388	1120419	1028384	1120421

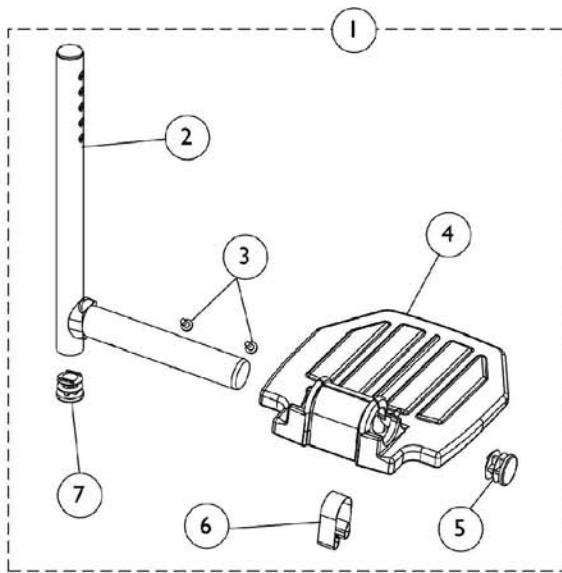
#8 AT5044 Elevating Legrest - Wedge Style

16-20"

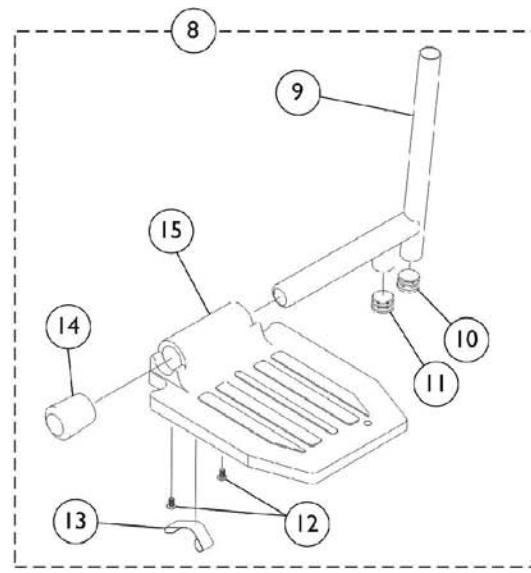
Curved End

Right/Left	Small Long 14" wide	Small 2" Longer 14" wide	Medium Long 15-16" wide	Medium 2" Longer 15-16" wide	Large Long 17-22" wide	Large 2" Longer 17-22" wide
Right	1132078	1132107	1132080	1132109	1132082	1132111
Left	1132079	1132108	1132081	1132110	1132083	1132112

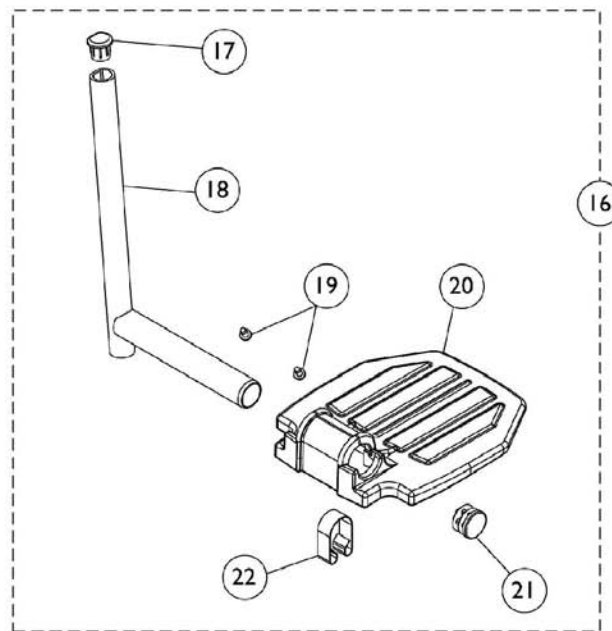
Footplate and Pivot Tube Assemblies - A1562 Aluminum



**PHW93, 60°, 70° Non-Tapered Footrests,
PH904A, and Ratchet Style AT5044 Legrests**



**PHAL4A and ATL4A
Articulating Legrests**



Wedge Style AT5044 Elevating Legrests

Footplate and Pivot Tube Assemblies - A1562 Aluminum

Item Number	Note	Part Number	Description	Quantity Per	
				Package	Assembly
1	A	See Chart	#1 Aluminum Footplate w/ Pivot Tube Assembly	1	1
2		1120330	Pivot Slide Tube with Plug	1	1
3		1025729	Screw, Self Tapping Pan Head (#8-32 x 3/8")	1	2
4		44200X059	Footplate, Aluminum - Small (6-3/4" W x 6" L)	1	1
4		44200X027	Footplate, Aluminum - Medium (7-3/4" W x 6" L)	1	1
5		1130582	Package, Plug Buttons (7/8")	10	1
6		1006981	Spring	1	1
7		1134426	Package, Plug Buttons (3/4")	10	1
	D	1074568	Package, Push Plugs	2	1
8	B	See Chart	#8 Aluminum Footplate w/ Pivot Tube Assembly	1	1
9		1041526	Pivot/Slide Tube with Plug Button (Aluminum)	1	1
10		1134434	Package, Plug Buttons (5/8")	10	1
11		1134426	Package, Plug Buttons (3/4")	10	1
12		40120X001	Screw, Phillips Pan Head (#8-32 x 3/8")	1	2
13		1006981	Spring	1	1
14		1016346	Cap, Tube End (7/8")	1	1
15		44200X059	Footplate, Aluminum - Small (6-3/4" W x 6" L)	1	1
15		44200X027	Footplate, Aluminum - Medium (7-3/4" W x 6" L)	1	1
16	C	See Chart	#16 Aluminum Footplate w/ Pivot Tube Assembly	1	1
17		1134427	Package, Plug Buttons "D" Shaped (3/4")	10	1
18		1134431	Pivot Slide Tube Assembly w/ Plug Button	1	1
19		1025729	Screw, Self Tapping Pan Head (#8-32 x 3/8")	1	2
20		44200X059	Footplate, Aluminum - Small (6-3/4" W x 6" L)	1	1
20		44200X027	Footplate, Aluminum - Medium (7-3/4" W x 6" L)	1	1
21		1130582	Package, Plug Buttons (7/8")	10	1
22		1006981	Spring	1	1

NOTE: A - Includes items 2-7
 B - Includes items 9-15
 C - Includes items 17-22
 D - Not Shown

Footplate and Pivot Tube Assemblies - A1562 Aluminum

#1 Aluminum Footplate w/ Pivot Tube Assembly

PHW93, 60°, 70° Non-Tapered Footrests. PH904A and Ratchet Syle AT5044 Legrests

Description	Footplate Size	Chair Width	Right	Left
PHW93, 60°, 70° Non-Tapered Footrests. PH904A and Ratchet Syle AT5044 Legrests	Small	14-15"	1120335	1120336
PHW93, 60°, 70° Non-Tapered Footrests. PH904A and Ratchet Syle AT5044 Legrests	Medium	16-22"	1120337	1120338

#8 Aluminum Footplate w/ Pivot Tube Assembly

PHAL4A & ATL4A Articulating Legrest

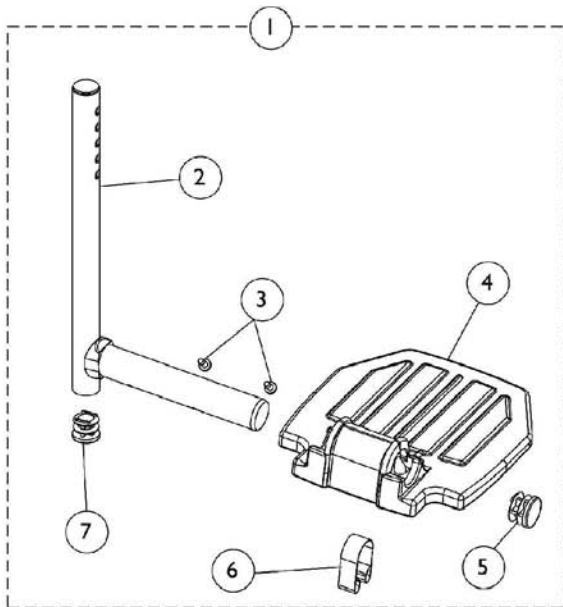
Description	Footplate Size	Chair Width	Right	Left
PHAL4A & ATL4A Articulating Legrest	Small	14-16"	1023905	1023906
PHAL4A & ATL4A Articulating Legrest	Medium	17-22"	1023907	1023908

#16 Aluminum Footplate w/ Pivot Tube Assembly

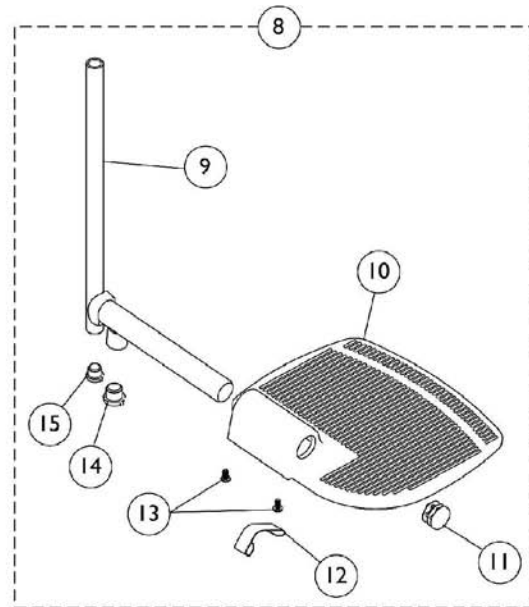
Wedge Style AT5044 Elevating Legrests

Footplate Size	Chair Width	Right	Left
Small	14-15"	1132113	1132114
Medium	16-22"	1132073	1132074

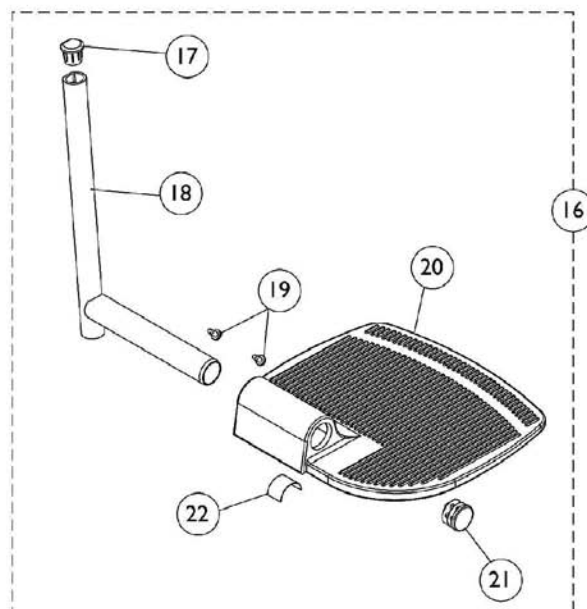
Footplate and Pivot Tube Assemblies - A1564 Extra Large Aluminum



**PHW93, 60°, 70° Non Tapered Footrests
and PH904A, Ratchet Style AT5044 Legrests**



PHAL4A and ATL4A Articulating Legrests



Wedge Style AT5044 Elevating Legrests

Footplate and Pivot Tube Assemblies - A1564 Extra Large Aluminum

Item Number	Note	Part Number	Description	Quantity Per	
				Package	Assembly
1	A	See Chart	#1 Extra Large Aluminum Footplate w/ Pivot Tube Assembly	1	1
2		1120330	Pivot Slide Tube with Plug	1	1
3		1025729	Screw, Self Tapping Pan Head (#8-32 x 3/8")	1	2
4		44200X025	Footplate, Aluminum - Extra Large (8" W x 8-1/2" L) - Right	1	1
4		44200X026	Footplate, Aluminum - Extra Large (8" W x 8-1/2" L) - Left	1	1
5		1130582	Package, Plug Buttons (7/8")	10	1
6		1006981	Spring	1	1
7		1134426	Package, Plug Buttons (3/4")	10	1
8	B	See Chart	#8 Extra Large Aluminum Footplate w/ Pivot Tube Assembly	1	1
9		1041526	Pivot/Slide Tube with Plug Button (Aluminum)	1	1
10	D	1002343	Footplate, Aluminum - Extra Large (7" W x 8-1/2" L) - Right	1	1
10	D	1002344	Footplate, Aluminum - Extra Large (7" W x 8-1/2" L) - Left	1	1
10	E	44200X025	Footplate, Aluminum - Extra Large (8" W x 8-1/2" L) - Right	1	1
10	E	44200X026	Footplate, Aluminum - Extra Large (8" W x 8-1/2" L) - Left	1	1
11		1130582	Package, Plug Buttons (7/8")	10	1
12		1006981	Spring	1	1
13		40120X001	Screw, Phillips Pan Head (#8-32 x 3/8")	1	2
14		1134426	Package, Plug Buttons (3/4")	10	1
15		1134434	Package, Plug Buttons (5/8")	10	1
16	C	See Chart	#16 Extra Large Aluminum Footplate w/ Pivot Tube Assembly	1	1
17		1134427	Package, Plug Buttons "D" Shaped (3/4")	10	1
18		1134431	Pivot Slide Tube Assembly w/ Plug Button	1	1
19		1025729	Screw, Self Tapping Pan Head (#8-32 x 3/8")	1	2
20		44200X025	Footplate, Aluminum - Extra Large (8" W x 8-1/2" L) - Right	1	1
20		44200X026	Footplate, Aluminum - Extra Large (8" W x 8-1/2" L) - Left	1	1
21		1130582	Package, Plug Buttons (7/8")	10	1
22		1006981	Spring	1	1
NOTE: A - Includes items 2-7 B - Includes items 9-15 C - Includes items 17-22 D - Used only on ATL4A Articulating Legrest for 16" wide chairs E - Used on ATL4A Articulating Legrest for 17-22" wide chairs					

Footplate and Pivot Tube Assemblies - A1564 Extra Large Aluminum

#1 Extra Large Aluminum Footplate w/ Pivot Tube Assembly

PHW93, 60°, 70° Non-Tapered Footrests. PH904A and Ratchet Syle AT5044 Legrests

Description	Footplate Size	Chair Width	Right	Left
PHW93, 60°, 70° Non-Tapered Footrests. PH904A and Ratchet Syle AT5044 Legrests	Medium	16-22"	1120339	1120340

#8 Extra Large Aluminum Footplate w/ Pivot Tube Assembly

PHAL4A & ATL4A Articulating Legrest

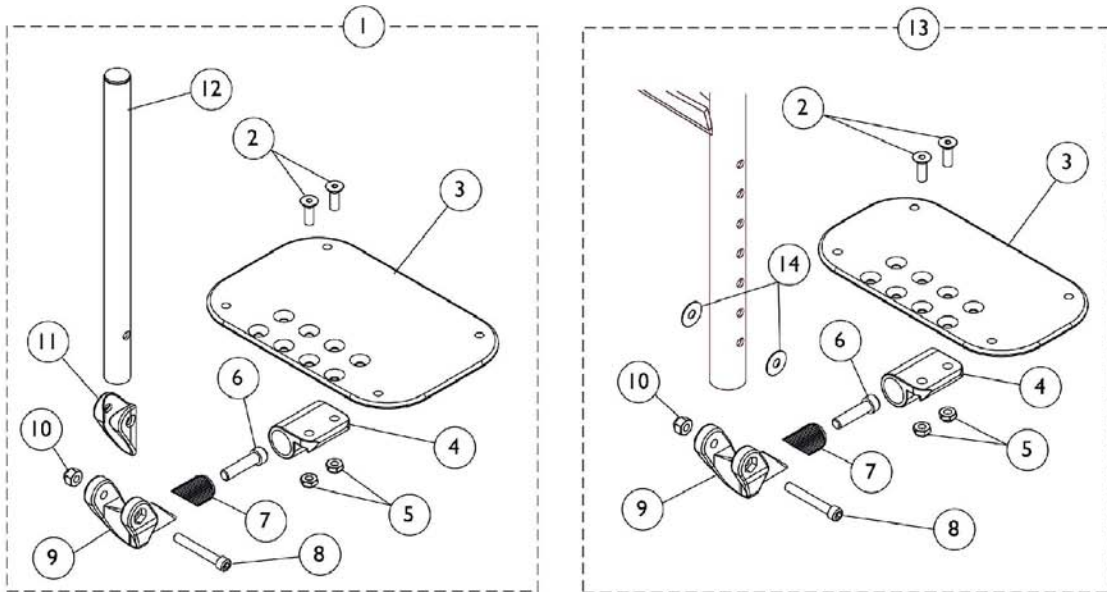
Description	Footplate Size	Chair Width	Right	Left
PHAL4A & ATL4A Articulating Legrest	Small	16"	1035454	1035455
PHAL4A & ATL4A Articulating Legrest	Medium	17-22"	1035456	1035457

#16 Extra Large Aluminum Footplate w/ Pivot Tube Assembly

Wedge Style AT5044 Elevating Legrests

Footplate Size	Chair Width	Right	Left
Medium	16-22"	1132084	1132085

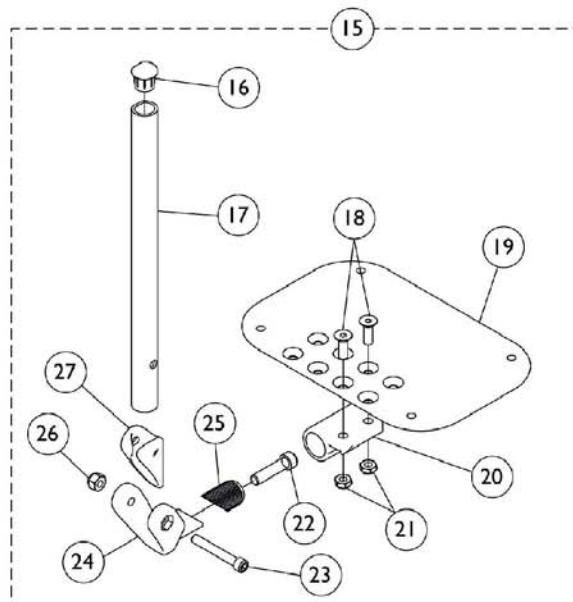
Footplate and Pivot Tube Assemblies - AT5543 Adjustable Angle



**Swingaway Front Riggings
Except 90 Degree and 70 Degree MFX**

90 Degree and 70 Degree MFX

Used on all front riggings except Wedge Style AT5044 Elevating Legrests



Used on Wedge Style AT5044 Elevating Legrests

Footplate and Pivot Tube Assemblies - AT5543 Adjustable Angle

Item Number	Note	Part Number	Description	Quantity Per	
				Package	Assembly
1	D	See Chart	#1 PHW93, PH904A, 60°, 70° Non Tapered, 70LIFTNT, & Ratchet Style AT5044 Front Riggings	1	1
1	D	See Chart	#1 PHAL4A Articulating Legrests	1	1
1	D	See Chart	#1 ATL4A Articulating Legrests	1	1
2		1113578	Screw, Socket Head C' Sunk (1/4-28 x 3/4")	1	2
3		1113573	Footplate, Large (5-1/4" Wide x 8" Long)	1	1
3		1113574	Footplate, X-Large (6-1/4" Wide x 8" Long)	1	1
3		1113575	Footplate, XX-Large (7-1/4" Wide x 8" Long)	1	1
4		1113528	Bracket, Adjustable Angle Footplate	1	1
5		1025765	Locknut (1/4-28)	1	2
6		1021343	Screw, Socket Head Cap (5/16-18 x 1-1/4")	1	1
7		1113530	Hinge Attachment	1	1
8		1096810	Screw, Socket Head (1/4-28 x 1-3/4")	1	1
9		1113529	Hinge, Adjustable Angle Footrest	1	1
10		1065362	Locknut (1/4-28)	1	1
11		1114688	Spacer, Hinge	1	1
12	A	1114699	Pivot Slide Tube, Straight (10-1/4")	1	1
12	B	1114700	Pivot Slide Tube, Straight 2" Longer ALPT (12-1/4")	1	1
12	C	1114707	Pivot Slide Tube, Straight (11-7/8")	1	1
13	E	See Chart	#13 70°/90° MFX and 70°/90° LIFTMFX Footrests	1	1
14		1025456	Washer (3/4 x 1/4 x 1/32")	1	2
15	F	See Chart	#15 Wedge Style AT5044 Elevating Legrests	1	1
16		1134427	Package, Plug Buttons "D" Shaped (3/4")	10	1
17	G	1134433	Pivot Slide Tube Assembly w/ Plug Button	1	1
17	G	1134432	Pivot Slide Tube Assembly, 2" Longer w/ Plug Button	1	1
18		1113578	Screw, Socket Head C' Sunk (1/4-28 x 3/4")	1	2
19		1113573	Footplate, Large (5-1/4" Wide x 8" Long)	1	1
19		1113574	Footplate, X-Large (6-1/4" Wide x 8" Long)	1	1
19		1113575	Footplate, XX-Large (7-1/4" Wide x 8" Long)	1	1
20		1113528	Bracket, Adjustable Angle Footplate	1	1
21		1025765	Locknut (1/4-28)	1	2
22		1021343	Screw, Socket Head Cap (5/16-18 x 1-1/4")	1	1
23		1096810	Screw, Socket Head (1/4-28 x 1-3/4")	1	1
24		1113529	Hinge, Adjustable Angle Footrest	1	1
25		1113530	Hinge Attachment	1	1
26		1065362	Locknut (1/4-28)	1	1
27		1114688	Spacer, Hinge	1	1

Footplate and Pivot Tube Assemblies - AT5543 Adjustable Angle

NOTE: A - 60°, 60° MFX, 70° Tapered, 70° Non Tapered, 70LIFTNT Footrests, and Ratchet Style AT5044 Legrest
B - ALPT 2" Longer
C - PHAL4A and ATL4A Articulating Legrests
D - Includes items 2-12
E - Includes items 2-10 & 14
F - Includes items 16-27
G - Wedge Style AT5044 Legrest

Footplate and Pivot Tube Assemblies - AT5543 Adjustable Angle

#1 Adjustable Angle Footplates w/ Pivot Tubes

PHW93, PH904A, 60°, 70° Non Tapered, 70LIFTNT, & Ratchet Style AT5044 Front Riggings

Straight Slide Tube (10-1/4")	Right	Left
14-15" Wide (5-1/4" Footplate)	1114642	1114643
16-17" Wide (6-1/4" Footplate)	1114644	1114645
18-22" Wide (7-1/4" Footplate)	1114646	1114647
ALPT Straight Slide Tube (12-1/4")	Right	Left
14-15" Wide (5-1/4" Footplate)	1114652	1114653
16-17" Wide (6-1/4" Footplate)	1114654	1114655
18-22" Wide (7-1/4" Footplate)	1114656	1114657

#1 Adjustable Angle Footplates w/ Pivot Tubes

PHAL4A Articulating Legrests

Straight Slide Tube (10-1/4")	Right	Left
16-17" Wide (5-1/4" Footplate)	1114708	1114709
18-19" Wide (6-1/4" Footplate)	1114710	1114711
18-22" Wide (7-1/4" Footplate)	1114656	1114657

Footplate and Pivot Tube Assemblies - AT5543 Adjustable Angle

#1 Adjustable Angle Footplates w/ Pivot Tubes

ATL4A Articulating Legrests

Straight Slide Tube (10-1/4")	Right	Left
14-15" Wide (5-1/4" Footplate)	1114708	1114709
16-17" Wide (6-1/4" Footplate)	1114710	1114711
18-22" Wide (7-1/4" Footplate)	1114712	1114713

#13 Adjustable Angle Footplates w/ Pivot Tubes

70°/90° MFX and 70°/90° LIFTMFX Footrests

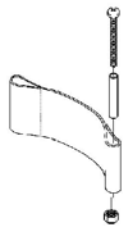
No Slide Tube - Bolts Through Support	Right	Left
14-15" Wide (5-1/4" Footplate)	1114632	1114633
16-17" Wide (6-1/4" Footplate)	1114634	1114635
18-22" Wide (7-1/4" Footplate)	1114636	1114637

#15 Adjustable Angle Footplates w/ Pivot Tubes

Wedge Style AT5044 Elevating Legrests

Straight Slide Tube (10-1/4")	Right	Left
14-15" Wide (5-1/4" Footplate)	1132061	1132062
16-17" Wide (6-1/4" Footplate)	1132063	1132064
18-22" Wide (7-1/4" Footplate)	1132065	1132066
ALPT Straight Slide Tube (12-1/4")	Right	Left
14-15" Wide (5-1/4" Footplate)	1132089	1132090
16-17" Wide (6-1/4" Footplate)	1132091	1132092
18-22" Wide (7-1/4" Footplate)	1132093	1132094

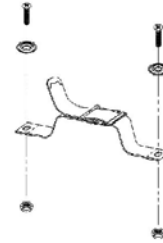
Heel Loops and Toe Loops



Heel Loop



Heel Loop with Ankle Strap



Toe Loop

Composite Footplates - 1651

Footplate Size	Heel Loop Single #	Heel Loop Pair #	Heel Loop w/ Ankle Strap Single # - Right	Heel Loop w/ Ankle Strap Single # - Left	Heel Loop w/ Ankle Strap Pair #	Attaching Hardware Pair #
Small 6" W	1025234	1035905	1035908	1035909	1035906	1035931
Medium 7" W	1017621	1035917	1053313	1053314	1053329	1035931
Large 8" W	1027000	1035929	1035932	1035933	1035930	1035931

Aluminum Footplates - A1562

Footplate Size	Heel Loop Single #	Heel Loop Pair #	Heel Loop w/ Ankle Strap Single # - Right	Heel Loop w/ Ankle Strap Single # - Left	Heel Loop w/ Ankle Strap Pair #	Attaching Hardware Pair #
Small 6-3/4" W	1017621	1035917	1035919	1035920	1035918	1035931
Medium 7-3/4" W	1027000	1035929	1035932	1035933	1035930	1035931

Heel Loops and Toe Loops

Extra Large Footplates - A1564

Footplate Size	Heel Loop Single #	Heel Loop Pair #	Heel Loop w/ Ankle Strap Single # - Right	Heel Loop w/ Ankle Strap Single # - Left	Heel Loop w/ Ankle Strap Pair #	Attaching Hardware Pair #
Extra Large 8-3/4" W	1027000	1035929	1035932	1035933	1035930	1035931

Adjustable Angle Footplates - AT5543

Footplate Size	Heel Loop Single #	Heel Loop Pair #	Heel Loop w/ Ankle Strap Single # - Right	Heel Loop w/ Ankle Strap Single # - Left	Heel Loop w/ Ankle Strap Pair #	Attaching Hardware Pair #
Large 5-1/4" W	1017621	1035917	1053313	1053314	1053329	1035931
X-Large 6-1/4" W	1027000	1035929	1035932	1035933	1035930	1035931
XX-Large 7-1/4" W	1027000	1035929	1035932	1035933	1035930	1035931

Toe Loops

Toe Loop Single #	Toe Loop Pair #	Attaching Hardware 1651 Footplates Pair #	Attaching Hardware AT5543/A1562/A1564 Footplates Pair #
04572X025	1037087	1052470	1052469

Heel and Toe Loop Attaching Hardware Kits

1035931	1052470	1052469
Kit Includes 2 ea. of:	Kit Includes 4 ea. of:	Kit Includes 4 ea. of:
1021421 Screw, Pan Head (1/4-20 x 2-1/4")	1025716 Screw, Phillips Head (#10-32 x 11/16")	1026114 Screw, Phillips Pan Head (#10-32 x 1/2")
1006477 Spacer (1/4 x 11/32 x 1-3/4")	1025707 Washer (1/4 x 3/4 x 3/32")	1025707 Washer (1/4 x 3/4 x 3/32")
1025195 Locknut (1/4-20)	1025735 Locknut (#10-32)	1025735 Locknut (#10-32)

Heel Loops and Toe Loops

Invacare Corporation

www.invacare.com



Yes, you can.™

One Invacare Way
Elyria, Oh USA
44036-2125
800-333-6900

Technical Support
800-832-4707
Customer Service
800-333-6900

Customer Service
800-333-6900

©2007 Invacare Corporation. Elyria, Ohio.
Invacare, Yes, you can., and the Medallion
Design are registered trademarks and
Compass and SPT are trademarks of
Invacare Corporation. KIK is a registered
trademark of KIK Technology, Inc. Natural
Fit is a trademark of Three Rivers Out Front.
(Revised 11/8/07)

Form No. 03-032

Free Manuals Download Website

<http://myh66.com>

<http://usermanuals.us>

<http://www.somanuals.com>

<http://www.4manuals.cc>

<http://www.manual-lib.com>

<http://www.404manual.com>

<http://www.luxmanual.com>

<http://aubethermostatmanual.com>

Golf course search by state

<http://golfingnear.com>

Email search by domain

<http://emailbydomain.com>

Auto manuals search

<http://auto.somanuals.com>

TV manuals search

<http://tv.somanuals.com>