

**Cat Basic
Scooter
Discontinued 1/00**



Yes, you can.™

Parts Catalog Usage Guide

The information contained in this document is subject to change without notice. This catalog contains service parts for Form No. 95-09. If you have any questions regarding this catalog, please contact one of our Customer Service Representatives.

For Customer Service Support Call:

1-800-333-6900

For Faxed In Orders Call:

1-800-678-4682 or

1-440-366-0709

For Technical Service Call:

1-800-832-4707

Literature Can Be Found at:

www.invacare.com or

1-800-828-6272

SYMBOL DEFINITION

Throughout this catalog you will notice letters to draw your attention to specific footnotes which are located at the bottom of the page or below specified charts.

Examples:

A,B,C etc. = Special Comments

NOTE: = General information pertaining to that specific page

NLA = No Longer Available

HARDWARE MEASUREMENTS

The measurements for the hardware will be listed as follows:

Screws, Bolts Diameter X Thread Count/Pitch X Length

Washers Inside Diameter X Outside Diameter X Thickness

Spacers Inside Diameter X Outside Diameter X Length

For your convenience, we have supplied an area for you to list your Invacare Representatives.

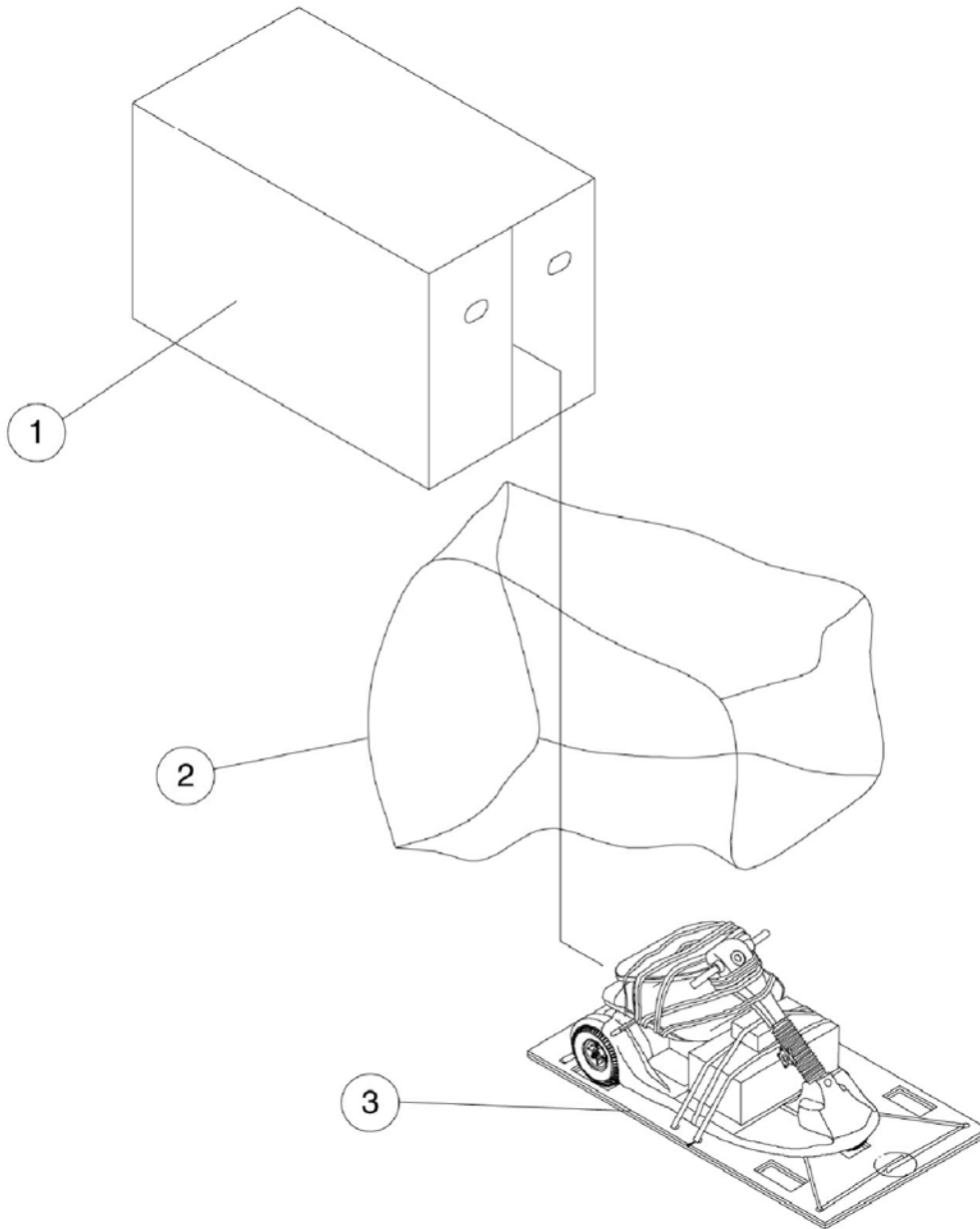
Name	Phone Numbers

©2007 Invacare Corporation. Elyria, Ohio. Invacare, Yes, you can. and the Medallion Design are registered trademarks of Invacare Corporation.

TABLE of CONTENTS

Description	Page Number
Accessories	24
Accessories - Oxygen Holder Assembly Kit	26
Arm Assemblies	22
Battery Boxes, Harnesses and Chargers	11
Fork Assembly	13
Motor and Trans-Axle	16
Packaging and Literature	3
Seat Assembly	18
Seat Plate Assembly	20
Shrouds, Frames and Anti-Tippers	5
Tiller Adjustment Assembly	10
Tiller Assembly and Controller	8
Wheels	14

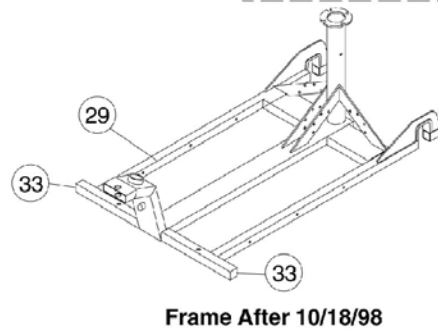
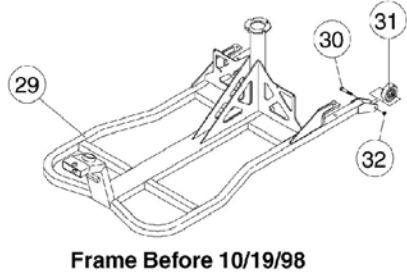
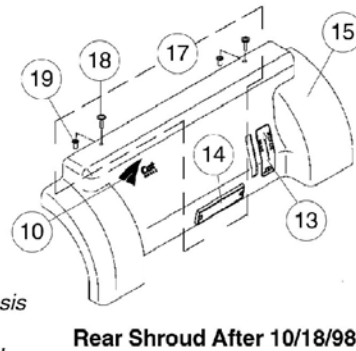
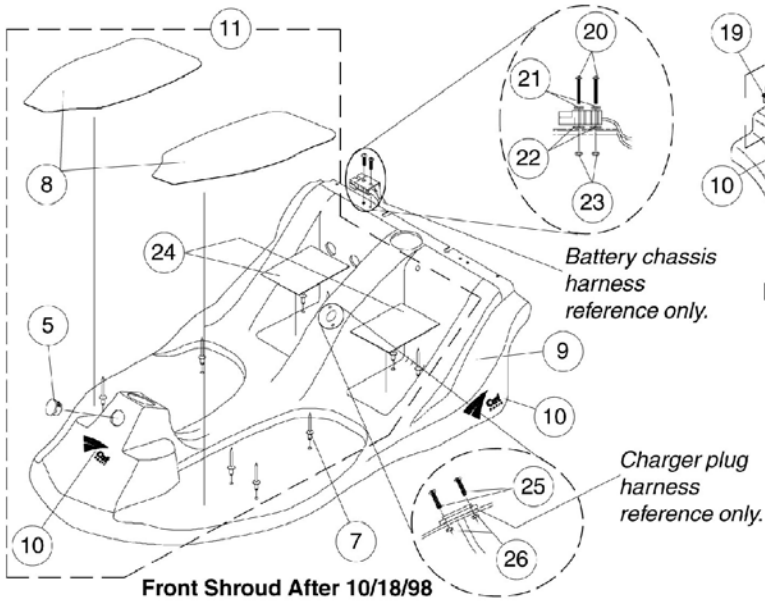
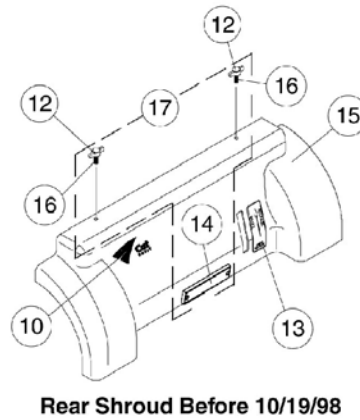
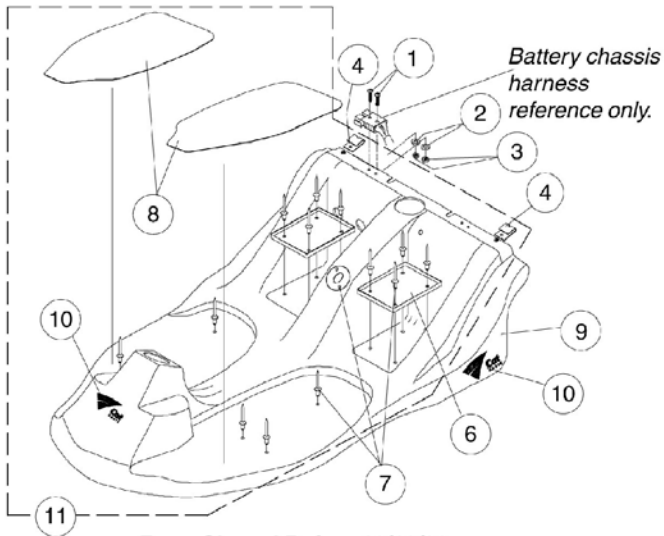
Packaging and Literature



Packaging and Literature

Item Number	Note	Part Number	Description	Quantity Per	
				Package	Assembly
1		1076976-NLA	Carton, Shipper	1	1
2		1015609-NLA	Bag, Poly (28" W x 44" D x 80" H)	1	1
3		1076977-NLA	Insert, Carton	1	1
	A	1073445	Owner's Manual	1	1
	A	00077X031	Warranty Card	1	1
NOTE: A - Not Shown.					
When adjusting or replacing parts, please refer to the Owner's Manual for assistance.					

Shrouds, Frames and Anti-Tippers



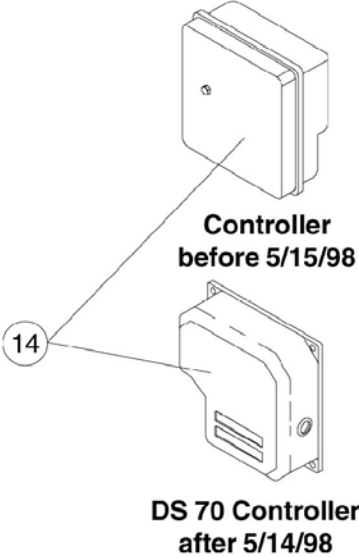
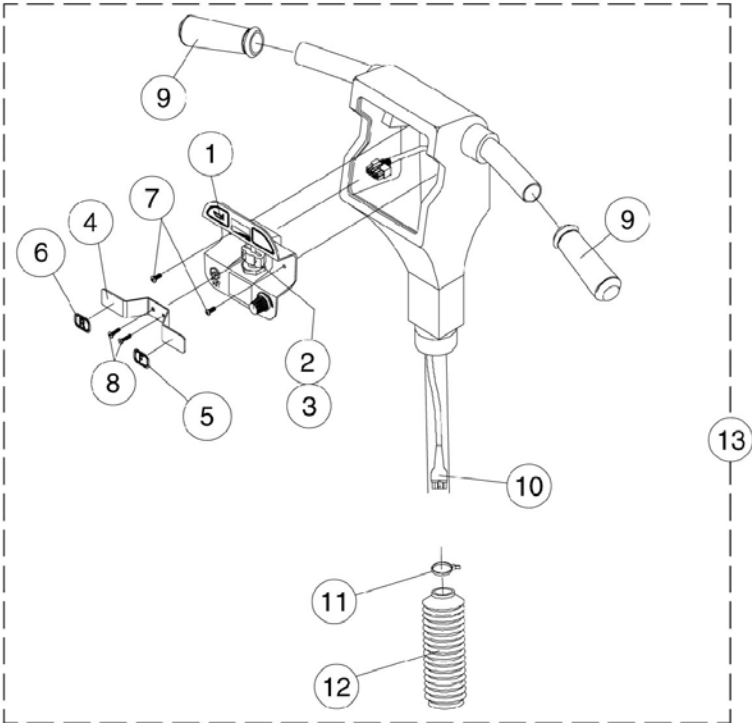
Shrouds, Frames and Anti-Tippers

Item Number	Note	Part Number	Description	Quantity Per	
				Package	Assembly
1		1057530-NLA	Screw, Phillips Head (#6-32 x 1")	1	4
2		0204705-NLA	Washer, Flat (#6)	1	4
3		0143205	Locknut, Low Profile (#6-32)	1	4
4		0226400-NLA	Clip, Rear Shroud Fastener	1	2
5		1056270-NLA	Plug Button (1-1/4")	1	1
6		1055726-NLA	Tray, Battery	1	2
7	H	0230800-NLA	Rivet (1/8 X 1/2" Long)	1	16
7	I	16348X000	Rivet (3/16 x 7/16")	1	10
8	H	1055721-NLA	Mat, Floor - Right	1	1
8	H	1055720-NLA	Mat, Floor - Left	1	1
8	I	1080966	Mat, Floor - Right	1	1
8	I	1080967	Mat, Floor - Left	1	1
9	B	1077138-NLA	Shroud, Front with Decals	1	1
10		1070128-NLA	Decal, Cat Basic	1	4
11	D,H	1081503-NLA	Kit, Front Shroud Hardware	1	1
11	E,I	1080895-NLA	Kit, Front Shroud Hardware	1	1
12		1056269-NLA	Knob, Tee	1	2
12		0226500	Knob, Tee	1	2
13		1055675-NLA	Decal, Brake Release	1	1
14		1056258	Decal, Reflector	1	1
15		1077137-NLA	Shroud, Rear with Decals	1	1
16		1077793	Screw, Socket Head Cap (1/4-20 x 3/4")	1	2
17	F,H	1081504-NLA	Kit, Rear Shroud Hardware	1	1
17	G,I	1080894-NLA	Kit, Rear Shroud Hardware	1	1
18		1070575	Screw, Phillips Head (#10-32 x 7/8")	1	2
19		40315X000	Rivet, Nut (#10-32)	1	2
20		1039773	Screw, Phillips Head Pan (#6-32 x 1-1/8")	1	4
21		1043599	Washer, Flat (5/32 x 3/8 x 1/32")	1	4
22		40157X003	Washer, Plain (5/16 x 5/8 x 1/8")	1	4
23		P0870X050	Nut, Keps (#6-32)	1	4
24		1060994-NLA	Pad, Battery Tray	1	2
25		1021742	Screw, Phillips Head Pan (#4-40 x 1/2")	1	2
26		P0870X000	Nut, Hex Keps (#4-40)	1	2
27	C,J	1086234-NLA	Anti-Tipper Assembly	1	2
28		1055665-NLA	Spring Lock	1	2
29	H	1072717-NLA	Frame	1	1
29	A,I	1080882-NLA	Frame	1	1
30		16720X004	Screw, Hex Head Cap (1/4-20 x 1-1/2")	1	2
31		1055684-NLA	Wheel, Anti-Tip 2"	1	2
32		1025195	Locknut (1/4-20)	1	2
33		1055662	Plug Button, Square (1-1/8 x 1-1/8")	1	2

Shrouds, Frames and Anti-Tippers

NOTE: A - Order item 33 when a new frame is required.
B - When a new shroud is ordered, shroud hardware needs to be ordered as well.
C - For scooters manufactured before 5/28/99, order in pairs to match.
D - Includes items 4, 7 and 8
E - Includes items 5, 7, 8 and 24
F - Includes items 13, 14
G - Includes items 14, 18, 19
H - Before 10/19/98
I - After 10/18/98
J - After 5/27/99

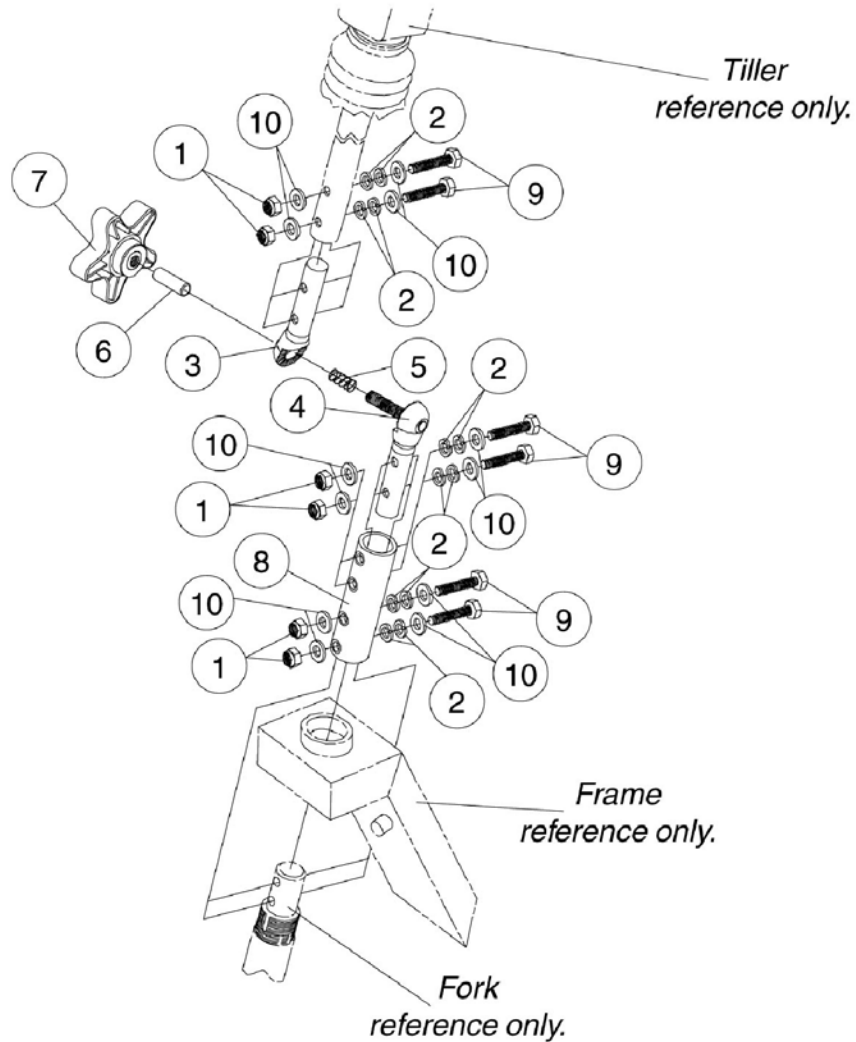
Tiller Assembly and Controller



Tiller Assembly and Controller

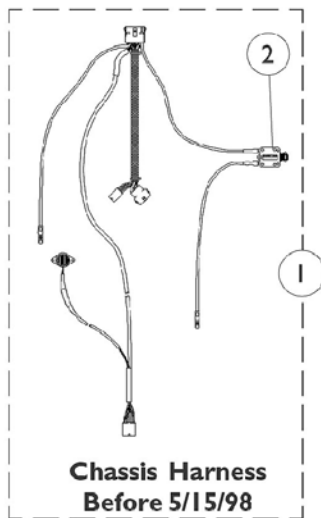
Item Number	Note	Part Number	Description	Quantity Per	
				Package	Assembly
1	D	1055728-NLA	Face Plate Assembly without Throttle Lever - Right	1	1
1	E	1081272-NLA	Face Plate Assembly without Throttle Lever (D.S. 70) - Right	1	1
1	E	1081414	Face Plate Assembly without Throttle Lever (D.S. 70) - Left	1	1
2		0307200-NLA	Clamp, Throttle - Lower	1	1
2	D	0307322-NLA	Clamp, Throttle - Upper	1	1
2	E	1055672-NLA	Clamp, Throttle - Upper (D.S. 70)	1	1
3		1016301	Washer, Nylon (5/16 x 7/8 x 1/8")	1	1
4		1056260-NLA	Lever, Throttle - Standard	1	1
5		1055680	Decal, Forward	1	1
6		1055667	Decal, Reverse	1	1
7		1014386	Screw, Socket Head (#8-32 x 5/8")	1	2
8		1055740-NLA	Screw, Socket Head (#8-32 x 1/2")	1	2
9		1055661-NLA	Handgrip	1	2
10		1072707-NLA	Harness Assembly - Tiller	1	1
11		98007X005	Cable Tie (11-1/2" Long)	1	2
12		1055679-NLA	Boot	1	1
13	C,D	1081536-NLA	Tiller Assembly - Right	1	1
13	C,E	1081406-NLA	Tiller Assembly (D.S. 70) - Right	1	1
13	C,E	1081385-NLA	Tiller Assembly (D.S. 70) - Left	1	1
14	D	1055727-NLA	Controller Assembly	1	1
14	E,F	1071456-NLA	Controller Assembly (D.S. 70)	1	1
14	G	1085941-NLA	Controller Assembly (D.S. 70)	1	1
	B	0194500-NLA	Keys	2	1
	A,B	1056928	Decal, Grey	1	1
NOTE: A - Decal no longer used after 9/14/98 B - Not Shown. C - Includes items 1-12 D - Before 5/15/98 E - After 5/14/98 F - 5/15/98 thru 1/27/99 G - After 1/27/99					

Tiller Adjustment Assembly

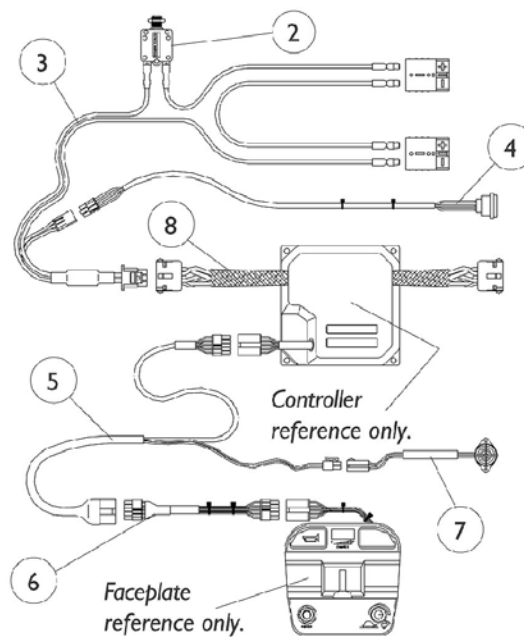


Item Number	Note	Part Number	Description	Quantity Per	
				Package	Assembly
1		1025736	Locknut (1/4-20)	1	6
2		1013970	Lockwasher, High Collar (1/4")	1	12
3		1023901-NLA	Swivel Adjustment, Top	1	1
4		1083056-NLA	Swivel Adjustment with Stud, Bottom	1	1
5		1022421	Spring, Coil	1	1
6		1029950-NLA	Spacer (25/64 x 5/8 x 1-1/4")	1	1
7		1029991	Knob, Adjustment	1	1
8		1072166-NLA	Sleeve, Fork Coupling	1	1
9		16720X004	Screw, Hex Head Cap (1/4-20 x 1-1/2")	1	6
10		20105X000	Washer, Flat (1/4 x 5/8 x 1/16")	1	12

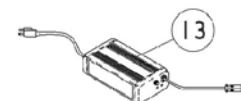
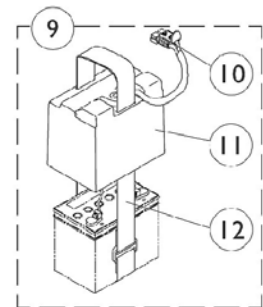
Battery Boxes, Harnesses and Chargers



**Chassis Harness
Before 5/15/98**



DS70 Harnesses After 5/14/98



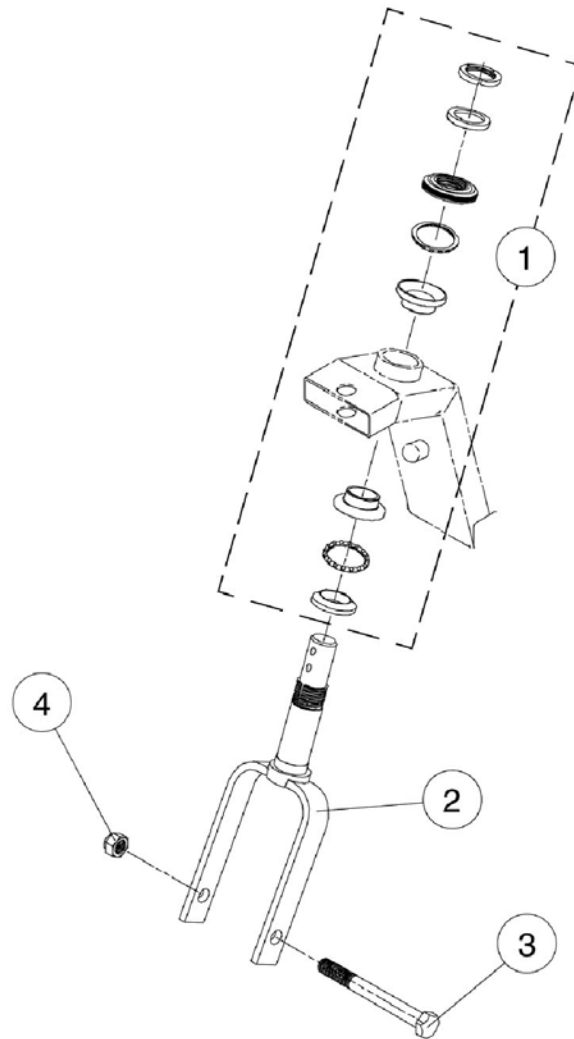
**Soneil
Charger
w/ Round Plug**

Battery Boxes, Harnesses and Chargers

Item Number	Note	Part Number	Description	Quantity Per	
				Package	Assembly
1	B	1055699-NLA	Harness Assembly, Traditional and Aviation (Square Plug)	1	1
2		1058062-NLA	Circuit Breaker, 30 AMP	1	1
3	C	1072706-NLA	Harness Assembly, DS70 - Chassis/ Battery	1	1
4		1072705	Harness Assembly, DS70 - Charger Plug	1	1
5		1064512-NLA	Harness, Tiller Chassis	1	1
6		1072707-NLA	Harness Assembly - Tiller	1	1
7		1060571-NLA	Horn without Adhesive Pad	1	1
	F	1060999-NLA	Pad, Adhesive Horn	1	1
8	D	1064511-NLA	Motor and Brake Assembly	1	1
8	A,E	1085938	Motor and Brake Assembly	1	1
9		1058797-NLA	Battery Box Assembly	1	2
10		1055700-NLA	Harness, Battery Box	1	1
11		1055714-NLA	Battery Box - Top	1	1
12		1055686-NLA	Strap, Battery	1	1
13		1081211	Battery Charger, Sonell (Rd Plug) 3 Amp - Domestic	1	1
13		1072727	Battery Charger, Sonell (Rd Plug) 3 Amp - U.K.	1	1
13		1077318	Battery Charger, Sonell (Rd Plug) 3 Amp - Europe	1	1

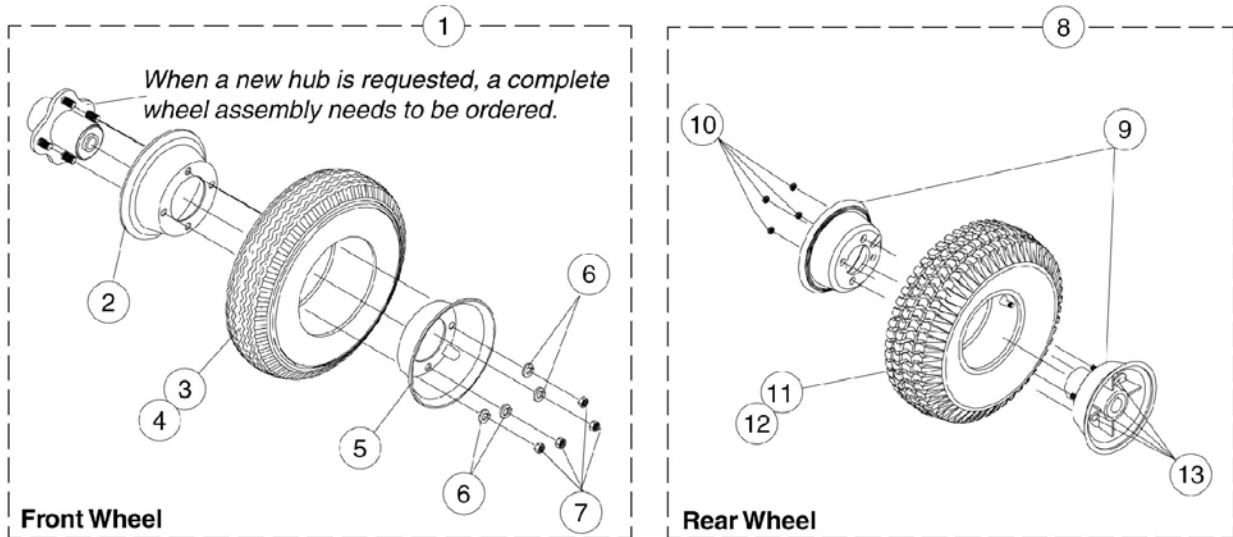
NOTE: A - Motor/brake harness after 1/27/99 will have two separate connectors attached for the transaxle motor.
 B - Before 5/15/98
 C - After 5/14/98
 D - 5/15/98 thru 1/27/99
 E - After 1/27/99
 F - Not Shown

Fork Assembly



Item Number	Note	Part Number	Description	Quantity Per	
				Package	Assembly
1		1080888-NLA	Bearing Headset Assembly	1	1
2		1072164-NLA	Fork Assembly	1	1
3		1055754-NLA	Screw, Hex Head (1/2-13 x 4-1/2")	1	1
4		1024296-NLA	Locknut (1/2-13)	1	1

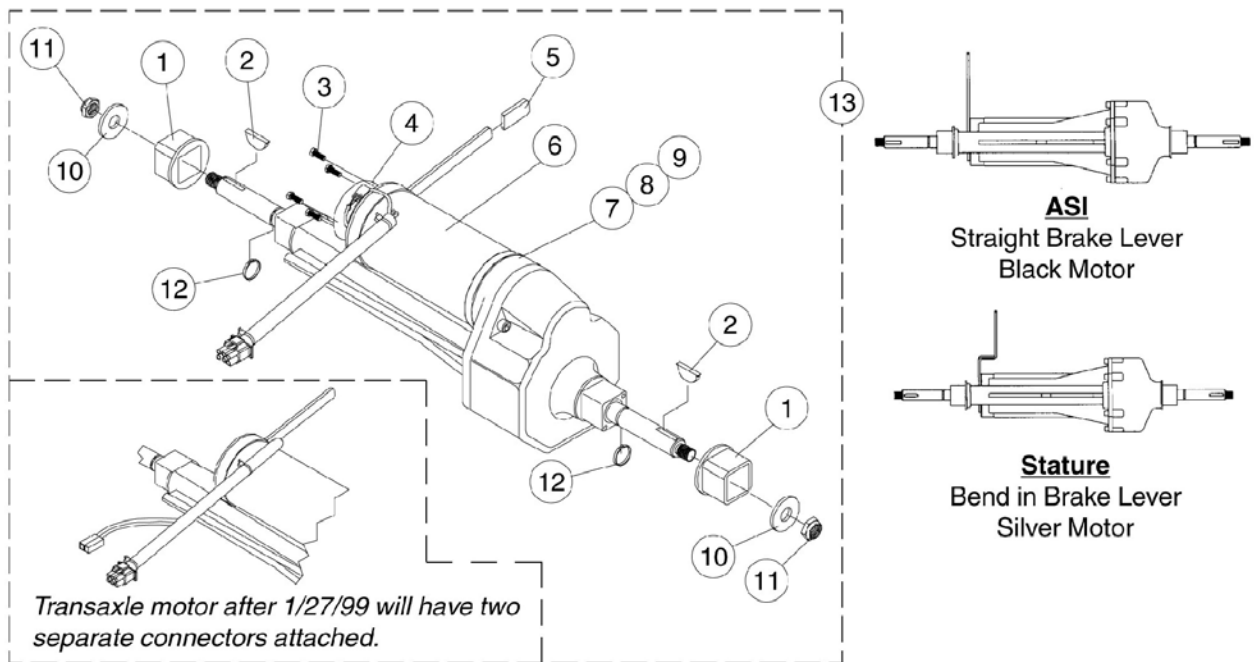
Wheels



Wheels

Item Number	Note	Part Number	Description	Quantity Per	
				Package	Assembly
1		1055697-NLA	Wheel Assembly, Pneumatic - Front (9")	1	1
1		1059385-NLA	Wheel Assembly, Foam Filled - Front (9")	1	1
2		1058031-NLA	Rim, Inner 9"	1	1
3		1027418	Tire, Pneumatic (9 x 2-3/4")	1	1
3		1028896	Tire, Foam Filled (9 x 2-3/4")	1	1
4		1027417	Tube, Pneumatic Inner (9" x 2-3/4")	1	1
5		1058032-NLA	Rim, Outer 9"	1	1
6		1024442	Washer, Lock (5/16 x 9/16 x 1/16")	1	4
7		1024426	Nut, Hex (5/16-24)	1	4
8		1055698-NLA	Rear Wheel Assembly, Pneumatic (10")	1	1
8		1022563-NLA	Rear Wheel Assembly, Foam Filled (10")	1	1
9		0263200-NLA	Hub, Rear 10" (1 Pair)	2	1
10		0054105-NLA	Locknut (3/8-16)	1	4
11		0309300-NLA	Tire, Rear - Pneumatic (10")	1	1
11		1022562-NLA	Tire, Rear - Foam Filled (10")	1	1
12		0309400-NLA	Tube, Rear (10")	1	1
13		0068905-NLA	Screw, Hex Head (3/8-16 x 1")	1	4

Motor and Trans-Axle

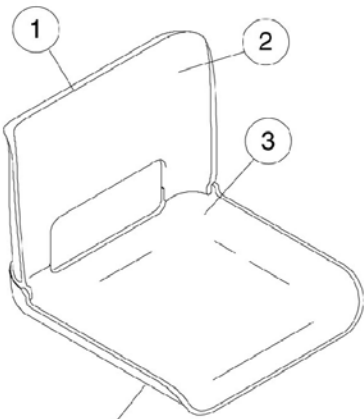


Motor and Trans-Axle

Item Number	Note	Part Number	Description	Quantity Per	
				Package	Assembly
1		1058529-NLA	Vibration Mount	1	2
2		1058043-NLA	Key, Wheel	1	2
3		1055767-NLA	Screw, Hex Head Cap (#8-32 x 3/8")	1	4
4	C	1055717-NLA	Brake, ASI	1	1
4	D	1062475	Brake, Stature	1	1
5		1055690-NLA	Lever Cap, Brake	1	1
6	C	1058522-NLA	Motor and Brake Assembly, ASI	1	1
6	E	1070596-NLA	Motor and Brake Assembly, Stature	1	1
6	F	1086251-NLA	Motor and Brake Assembly, Stature	1	1
7	C	1058527-NLA	Coupling, ASI	1	1
7	D	1062477-NLA	Coupling, Stature	1	1
8		1058528-NLA	Key, Motor Gearbox	1	1
9	C	1058524-NLA	Brush Kit, ASI	2	1
9	D	1062476-NLA	Brush Kit, Stature	2	1
10		1003766	Washer, Plain (1/2 x 1 x 1/8")	1	2
11		1001979	Locknut (1/2-20)	1	2
12	B	1058042-NLA	Grip Ring	1	2
13	A,C	1058041-NLA	Trans-Axle Assembly, ASI with Brake	1	1
13	E	1062535-NLA	Trans-Axle Assembly, Stature with Brake	1	1
13	F	1085944-NLA	Trans-Axle Assembly, Stature with Brake	1	1

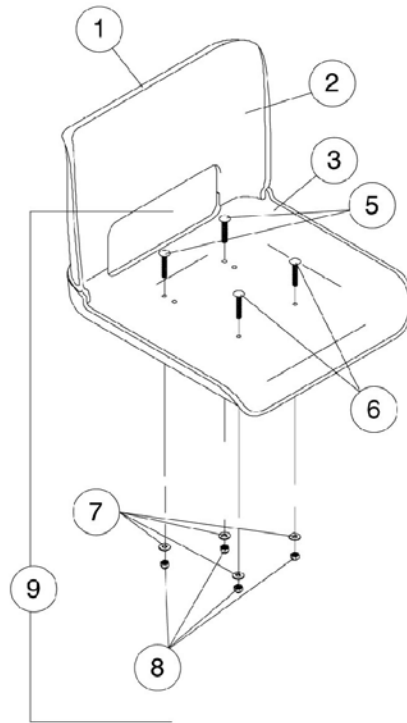
NOTE: A - Trans-Axle 1058041 is NLA, order Trans-Axle 1062535 as a direct replacement.
 B - Includes items 1-12
 C - Before 7/27/98
 D - After 7/26/98
 E - 7/27/98 thru 1/27/99
 F - After 1/27/99

Seat Assembly

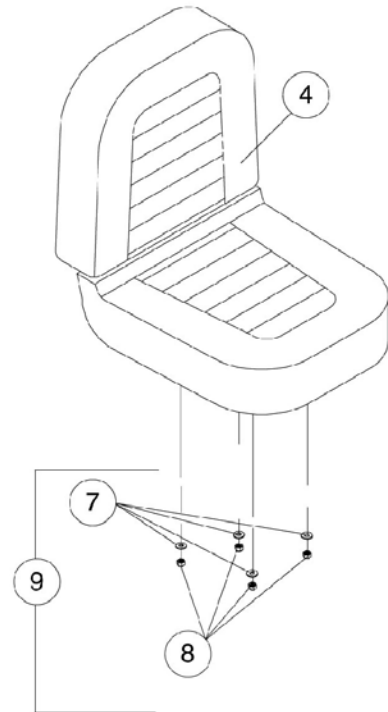


NOTE: Seat hardware can be found on the Seat Plate Assembly page.

**Standard
Before 10/19/98**



**Standard
After 10/18/98**



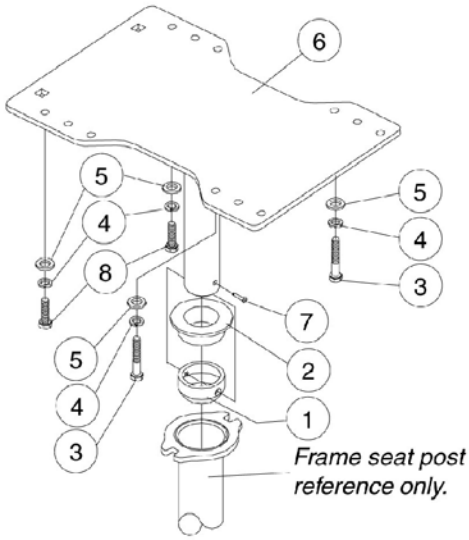
Deluxe

Seat Assembly

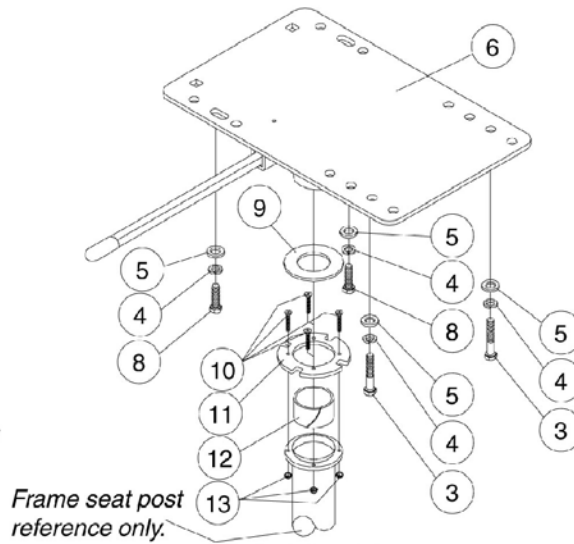
Item Number	Note	Part Number	Description	Quantity Per	
				Package	Assembly
1	A	1081535-NLA	Seat with Back and Seat Pads (without Attaching Hardware)	1	1
1	B	1069735-NLA	Seat with Back and Seat Pads (without Attaching Hardware)	1	1
2		1069732-NLA	Pad, Back - Standard	1	1
3		1069733-NLA	Pad, Seat - Standard	1	1
4		1069146-NLA	Seat, Deluxe Vinyl without Attaching Hardware	1	1
4		1069147	Seat, Deluxe Cloth without Attaching Hardware	1	1
5		1070148-NLA	Bolt, Carriage (5/16-18 x 1-1/2")	1	2
6		1071206-NLA	Bolt, Carriage (5/16-18 x 2")	1	2
7		1025704	Washer, Flat (5/16 x 5/8 x 1/16")	1	4
8		1026158	Locknut (5/16-18)	1	4
9	B,C	1073373-NLA	Kit, Seat Attaching Hardware - Standard	1	1
9	D	1073374	Kit, Seat Attaching Hardware - Deluxe Vinyl and Cloth	1	1

NOTE: A - Before 10/19/98
 B - After 10/18/98
 C - Includes items 5-8
 D - Includes items 7 and 8

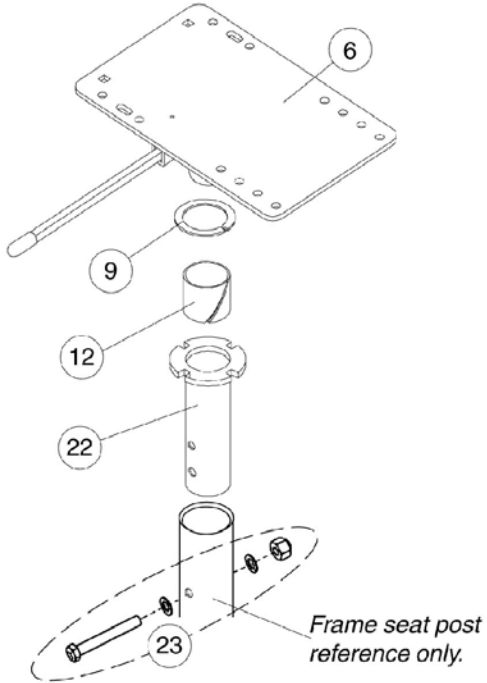
Seat Plate Assembly



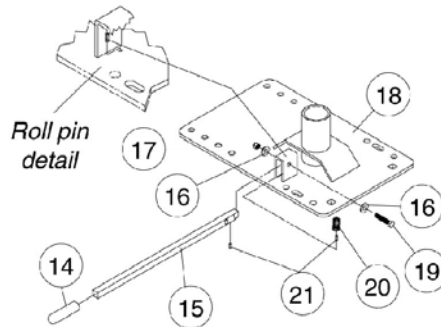
Fixed Seat Plate and Attaching Hardware Before 1/9/98



Swivel Seat Plate and Attaching Hardware After 1/8/98



Swivel Seat Plate and Attaching Hardware After 10/18/98



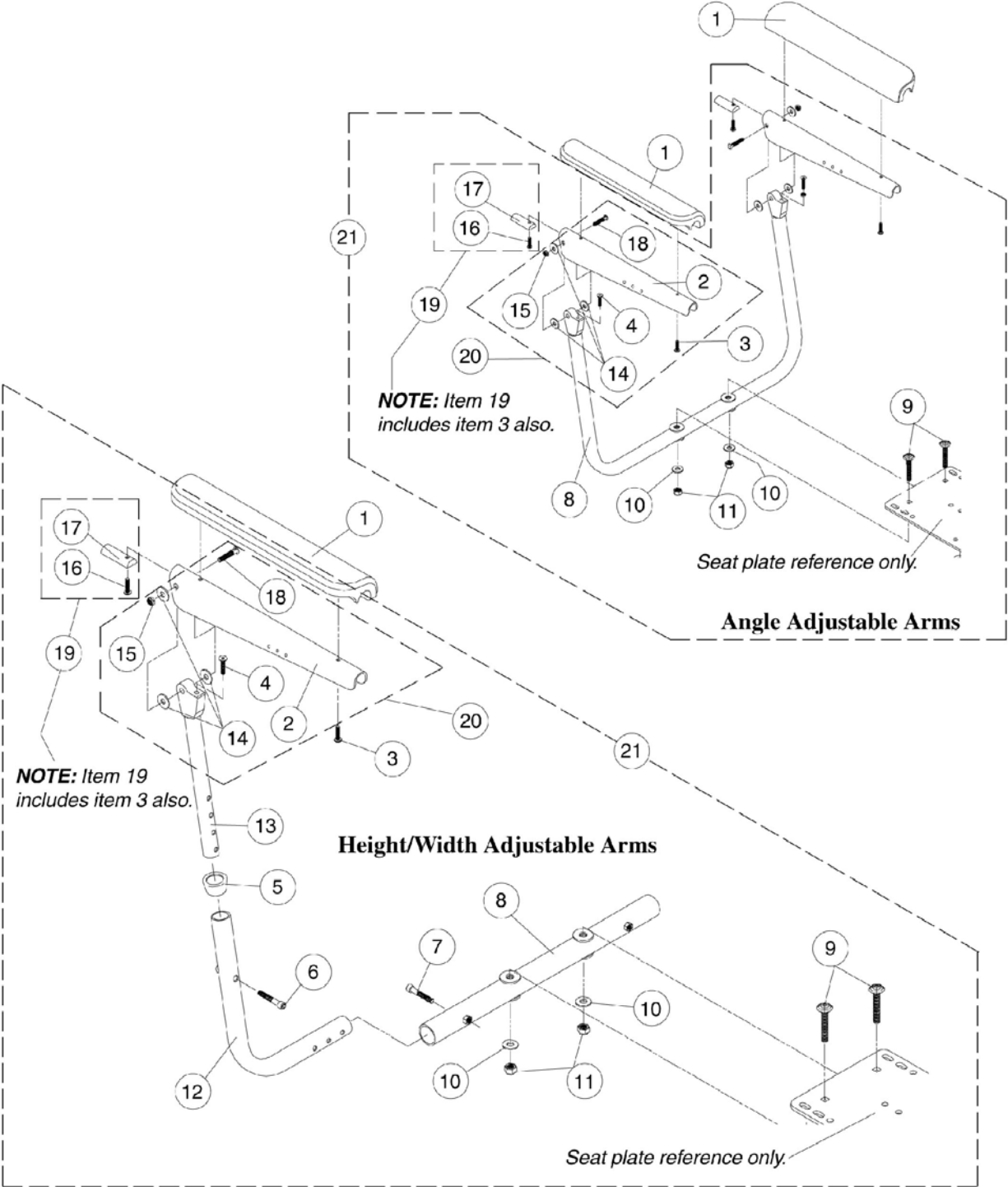
Seat Plate Components for Item 6 After 1/8/98

Seat Plate Assembly

Item Number	Note	Part Number	Description	Quantity Per	
				Package	Assembly
1		1072154	Collar - Lower	1	1
2		1072153-NLA	Collar - Upper	1	1
3		16720X004	Screw, Hex Head Cap (1/4-20 x 1-1/2")	1	2
4		0050506	Lockwasher, High Collar, Split (1/4")	1	4
5		1009000-NLA	Washer (3/4 x 1/4 x 1/16")	1	4
6	A	1072155-NLA	Kit, Seat Plate Assembly without Hardware	1	1
6	B	1071285-NLA	Kit, Seat Plate Assembly - Right Release	1	1
6	C	1071997-NLA	Kit, Seat Plate Assembly - Left Release	1	1
7		0230800-NLA	Rivet (1/8 X 1/2" Long)	1	1
8		0051705-NLA	Screw, Hex Head Cap (1/4-20 x 1")	1	2
9		1055677-NLA	Washer, Seat Base (1-1/2 x 2 x 3/32")	1	1
10		1077181	Screw, Socket Head (#6-32 x 3/4")	1	4
11		1072959-NLA	Plate, Sprocket	1	1
12		1055687-NLA	Bearing, Nyliner	1	1
13		1055768-NLA	Locknut (#6-32)	1	4
13		0143205	Locknut, Low Profile (#6-32)	1	4
14		1055693-NLA	Cap, Handle	1	1
15		1073714-NLA	Handle, Swivel Bar	1	1
16		1026907	Washer (1/4 x 1/2 x 1/16")	1	2
17		1025195	Locknut (1/4-20)	1	1
18		1070179-NLA	Seat Plate	1	1
19		1039883	Screw, Hex Head Cap with Patch (1/4-20 x 1")	1	1
20		1075062-NLA	Spring, Compression	1	1
21		1038785	Pin, Roll (1/8 x 3/8")	1	2
22		1058766-NLA	Post, Seat	1	1
23		1081172	Kit, Seat Post Attaching Hardware	1	1

NOTE: A - Before 1/9/98 without handle
 B - After 1/8/98
 C - After 10/18/98

Arm Assemblies

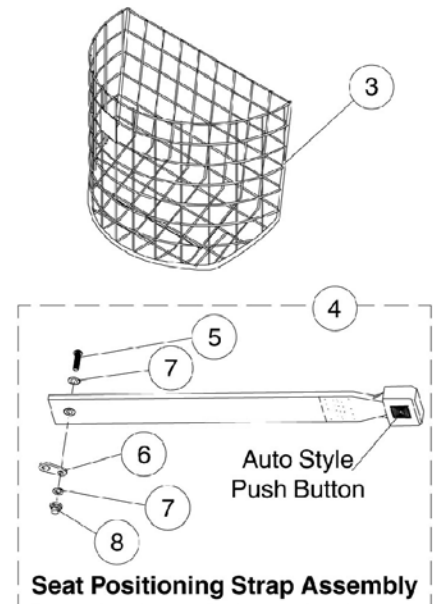
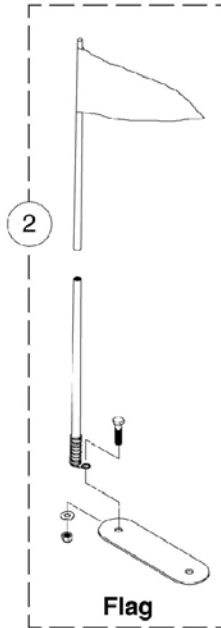
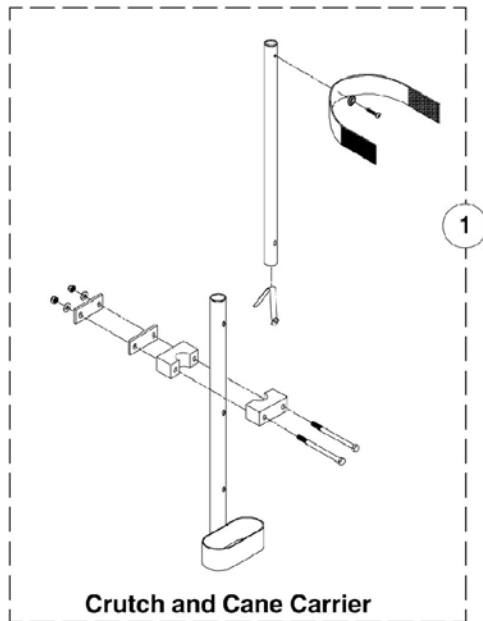


Arm Assemblies

Item Number	Note	Part Number	Description	Quantity Per	
				Package	Assembly
1	A	1117328	Arm Pad, Full Length, Urethane Waterfall with Screws, Black (13" L x 2-5/8" W)	1	2
2		1071359	Plate, Armrest (Black)	1	2
3		1028755	Screw, Phillips Pan Head (#10-32 x 5/8")	1	2
4		1073453-NLA	Screw, Socket Flat Head w/Patch (1/4-20 x 3/4")	1	2
5		15680X013	Anti-Rattle (1")	1	2
6		1003545	Screw, Socket Head (1/4-20 x 1-1/4")	1	2
7		1021343	Screw, Socket Head Cap (5/16-18 x 1-1/4")	1	2
8		1070929-NLA	Arm Tube, Height / Width Adjustable	1	1
8		1070927	Arm Tube, Angle Adjustable	1	1
9		1070925	Bolt, Round Head Square Neck (5/16-18 x 2-1/2")	1	2
9	D	1071206-NLA	Bolt, Carriage (5/16-18 x 2")	1	2
10		1025704	Washer, Flat (5/16 x 5/8 x 1/16")	1	2
11		1026158	Locknut (5/16-18)	1	2
12		1071357-NLA	Arm Tube, Lower - Right	1	2
12		1071358-NLA	Arm Tube, Lower - Left	1	2
13		1070928	Arm Tube, Upper Height and Width Adjustable (Black)	1	2
14		1025704	Washer, Flat (5/16 x 5/8 x 1/16")	1	6
15		1026906	Locknut (5/16-24)	1	2
16		1102546	Screw, Phillips Pan Head (#10-32 x 7/8")	1	2
17		1070106	Insert, Armrest	1	2
18		1031026	Screw with Lug (5/16-24 x 1-3/8")	1	2
19	B	1073378	Kit, Arm Pad Attaching Hardware	1	1
20	C	1073377	Kit, Armrest Plate Attaching Hardware	2	1
21		1075186-NLA	Kit, Arm Assembly with Hardware (Less Arm Pads) Height \ Width Adjustable	2	1
21		1075187-NLA	Kit, Arm Assembly with Hardware (Less Arm Pads) Angle Adjustable	2	1

NOTE: A - As of 1/3/02 upholstered waterfall armpads were replaced with black urethane waterfall armpads. Order in pairs for scooters serviced before 1/3/02.
 B - Includes items 3, 16, 17
 C - Includes items 2, 4, 14, 15, 18
 D - For use on Angle Adjustable Arm Tube.

Accessories



Accessories

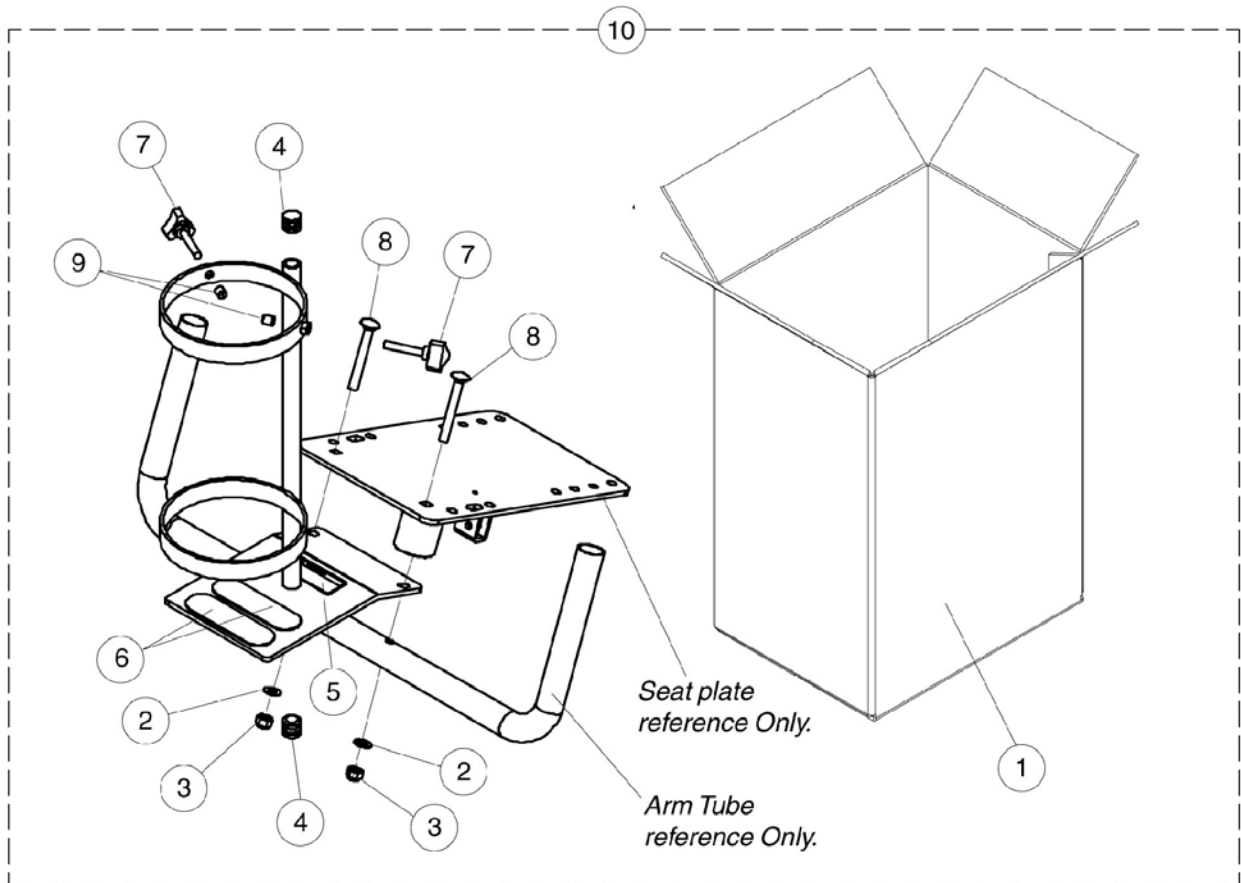
Item Number	Note	Part Number	Description	Quantity Per	
				Package	Assembly
1	A	1077349-NLA	Crutch and Cane Holder Assembly	1	1
2		1077348-NLA	Safety Flag Assembly	1	1
3	B	1056272-NLA	Basket	1	1
4		1071983-NLA	Seat Positioning Strap Assemblies with Hardware, Height \ Width Adjustable Arm	2	1
4	C	1071984-NLA	Seat Positioning Strap Assemblies with Hardware, Angle Adjustable Arm	2	1
5		1009838	Screw, Socket Head (1/4-20 x 3/4")	1	2
6		1055678-NLA	Link	1	2
7		1026900	Washer (1/4 x 23/32 x 1/16")	1	4
8		1044214	Nut, Hex with Nylon Cap (1/4-20)	1	2
	E	0194500-NLA	Keys	2	1
	D,E	U1Gel-2	Batteries, 12 Volt Gel, 31 Amp. Hour	1	1

NOTE: A - Requires basket for installation.
 B - Basket is not available on Cat Basic scooters manufactured before 10/19/98.
 C - Longer carriage bolts (1070925) are supplied with angle-adjustable arm seat belt assemblies.
 D - Batteries are an equipment item, shown as reference only.
 E - Not shown

Individual parts are not available for the crutch/cane carrier and flag assemblies.

Accessories

Oxygen Holder Assembly Kit



Accessories

Oxygen Holder Assembly Kit

Item Number	Note	Part Number	Description	Quantity Per	
				Package	Assembly
1		1083052	Carton, Shipper	1	1
2		1025704	Washer, Flat (5/16 x 5/8 x 1/16")	1	2
3		1026158	Locknut (5/16-18)	1	2
4		1035614	Plug Button (5/8") Black	1	2
5		1080866	Decal, Oxygen Warning - English	1	1
5		1090093	Decal, Oxygen Warning - French Canadian	1	1
6		1072004	Pad, Non-Skid Adhesive Back	1	2
7		1027684	Knob, Clamping (Black)	1	2
8	D	1086151	Bolt, Carriage Round Head Square Neck (5/16-18 x 1")	1	2
8		1070925	Bolt, Round Head Square Neck (5/16-18 x 2-1/2")	1	2
9		1086780	Package, Protective Caps	10	1
10	A	1085758-NLA	Oxygen Holder Assembly with Instruction Sheet - U.S.	1	1
10	A,C	1090092	Oxygen Holder Assembly with Instruction Sheet - French Canadian	1	1
	B	1085757	Instruction Sheet, Oxygen Holder	1	1
	B	2000454	Bag, Poly (33" Wide x 39" Long)	1	1

NOTE: A - When an oxygen assembly kit is ordered, only 2 protective caps are included. Replacement caps can be ordered in packages of 10, see item 9.
 B - Not Shown.
 C - Includes items 1-9, Instruction Sheet and Poly Bag
 D - Used on Seat Plates without Arms.

Invacare Corporation

www.invacare.com



Yes, you can.™

One Invacare Way
Elyria, Oh USA
44036-2125
800-333-6900

Technical Support
800-832-4707
Florida Technical Support
407-321-5630

Customer Service
800-333-6900

©2007 Invacare Corporation. Elyria, Ohio.
All rights reserved. Trademarks are
identified by the symbols™ and®. All
trademarks are owned by or licensed to
Invacare Corporation unless otherwise
noted. (Rev. 6/29/07)

Form No. 95-09

Free Manuals Download Website

<http://myh66.com>

<http://usermanuals.us>

<http://www.somanuals.com>

<http://www.4manuals.cc>

<http://www.manual-lib.com>

<http://www.404manual.com>

<http://www.luxmanual.com>

<http://aubethermostatmanual.com>

Golf course search by state

<http://golfingnear.com>

Email search by domain

<http://emailbydomain.com>

Auto manuals search

<http://auto.somanuals.com>

TV manuals search

<http://tv.somanuals.com>