

Assembly, Installation and Operating Instructions

NOTE: Check ALL parts for shipping damage before use. In case of damage, DO NOT use. Contact Carrier/Dealer for further instruction.

SAFETY SUMMARY

The following recommendations are made for the safe installation and use of mounting hardware on seating systems:

GENERAL WARNINGS

DO NOT install this equipment without first reading and understanding this instruction sheet. If you are unable to understand these instructions, contact a healthcare professional, dealer or technical personnel if applicable before attempting to install this equipment - otherwise, injury or damage may occur.

Ensure that the seat and back of the seating system are fixed to the wheelchair. A loose seat or back may lead to potentially dangerous situations with positioning devices.

INSTALLATION WARNINGS

DO NOT install twist, quick, and fixed release clamps in any other locations than specified in this instruction sheet - otherwise, the seating system will not be secured properly to the wheelchair and bodily injury may occur.

Ensure that ALL hardware is tight at ALL times.

HARDWARE REFERENCE CHART

NOTE: This chart is a general guideline for recommended mounting hardware.

| HARDWARE CLAMPS | | |
|-----------------|---------------------------------|--|
| | With Growth Bracket | Without Growth Bracket |
| BACK | Twist Release (SEE FIGURE 1) | Twist Release Fixed Release (SEE FIGURE 3) |
| SEAT | Quick Release (SEE FIGURE 2) | Quick Release Fixed Release (SEE FIGURE 4) |

PROCEDURE 1 - INSTALLING CLAMPS ON SEATING SYSTEMS WITH A GROWTH BRACKET

Twist Release Clamps For Back (FIGURE 1)

*NOTE: Refer to **INSTALLATION WARNING** in the **SAFETY SUMMARY** before proceeding.*

1. Make sure that the back mounting hooks are flush against the back canes.
2. Loosen socket screw that opens twist release clamp.

NOTE: There is a right and left twist release clamp. Make sure when installing that the socket screw adjustment is on the outside of the wheelchair frame.

3. Install the open end of the twist release clamp below the back mounting hook so that the locking mechanism rests on top of the back mounting hook.
4. Loosely tighten the socket screw.
5. Repeat **STEPS 1- 4** for the other side.
6. Make sure both twist release clamps are flush against the back mounting hooks and that the locking mechanism rests on top of the back mounting hooks.
7. Torque socket screw to 75 - inch pounds.
8. Once twist release mounting clamps are secured, do one (1) of following:
 - A. Refer to **QUICK RELEASE CLAMPS FOR SEAT** in **PROCEDURE 1** of this instruction sheet.
 - B. Refer to **USING CLAMPS** in this instruction sheet.

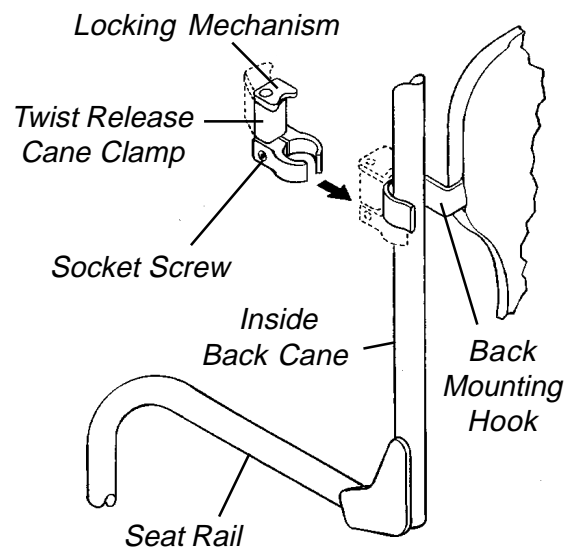


FIGURE 1- TWIST RELEASE CLAMPS FOR BACK

Quick Release Clamps For Seat (FIGURE 2)

*NOTE: Refer to **INSTALLATION WARNING** in the **SAFETY SUMMARY** before proceeding.*

NOTE: The quick release clamps are designed to fit either 1-inch rail tubing or, with insert provided, 7/8-inch rail tubing.

1. Remove the sleeve, lock washer, and internal threaded mounting screw from the quick release clamp (**DETAIL "A"**).
2. Place the quick release clamp on the seat rail.
3. If quick release clamp is not tightly fitted around seat rail tubing, install insert provided as shown in **DETAIL "A"**.
4. Install the quick release clamp onto the seat rail so that the fixed portion is flush against and rests on top of the mounting hook and the release portion is between the front riggings and the mounting hook.
5. Reinstall the sleeve, lock washer, and internal mounting screw into the quick release rail clamp and torque to 75 - inch pounds.
6. Repeat **STEPS 1- 5** for other side.
7. Once quick release mounting clamps are secured, do one (1) of following:
 - A. Refer to **TWIST RELEASE CLAMPS FOR BACK** in **PROCEDURE 1** of this instruction sheet.
 - B. Refer to **USING CLAMPS** in this instruction sheet.

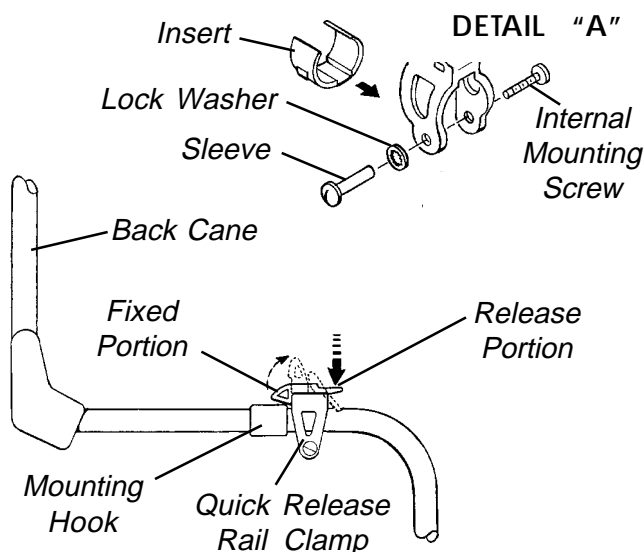


FIGURE 2 - QUICK RELEASE CLAMPS FOR SEAT

PROCEDURE 2 - INSTALLING CLAMPS ON SEATING SYSTEMS WITHOUT A GROWTH BRACKET

Twist Release Clamps For Back (FIGURE 1)

*NOTE: Refer to **INSTALLATION WARNING** in the **SAFETY SUMMARY** before proceeding.*

1. Make sure that the back mounting hooks are flush against the back canes.
2. Loosen socket screw that opens twist release clamp.

NOTE: There is a right and left twist release clamp. Make sure when installing that the socket screw adjustment is on the outside of the wheelchair frame.

3. Install the open end of the twist release clamp below the back mounting hook so that the locking mechanism rests on top of the mounting hook.
4. Loosely tighten the socket screw.
5. Repeat **STEPS 1- 4** for the other side.
6. Make sure both twist release clamps are flush against the back mounting hooks and that the locking mechanism rests on top of the back mounting hooks.
7. Torque socket screw to 75 - inch pounds.
8. Once twist release mounting clamps are secured, do one (1) of following:
 - A. Refer to **FIXED RELEASE CLAMPS FOR BACK** in **PROCEDURE 2** of this instruction sheet.
 - B. Refer to **USING CLAMPS** in this instruction sheet.

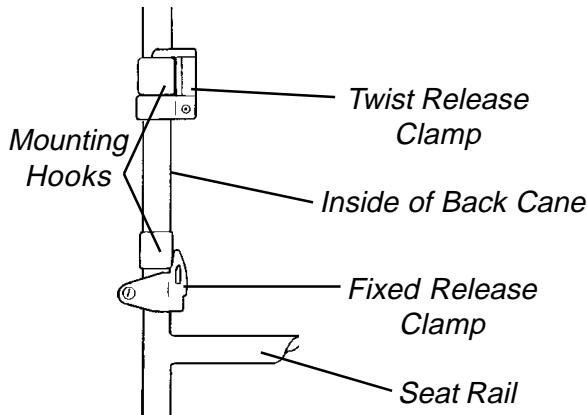
Fixed Release Clamps For Back (FIGURE 3)

*NOTE: Refer to **INSTALLATION WARNING** in the **SAFETY SUMMARY** before proceeding.*

NOTE: The fixed release rail/cane clamps are designed to fit either 1-inch rail tubing or, with insert provided, 7/8-inch rail tubing.

1. Remove the mounting screw, lock washer, and internal threaded mounting screw from the fixed release clamps (**DETAIL "B"**).
2. Place the fixed release clamp on the back cane.
3. If fixed release clamp is not tightly fitted around back cane tubing, install insert provided as shown in **DETAIL "A"**.
4. Install the fixed release clamp onto the back rail so that the fixed portion is flush against and rests on top of the mounting hook and is located between the seat rail and the bottom of the mounting hook.

5. Reinstall the mounting screw, lock washer, and internal mounting screw into the fixed release rail/cane clamp and torque to 75 - inch pounds.
6. Repeat **STEPS 1 - 5** for other side.
7. Once fixed release mounting clamps are secured, do one (1) of following:
 - A. Refer to **QUICK RELEASE CLAMPS FOR SEAT** in **PROCEDURE 2** of this instruction sheet.
 - B. Refer to **USING CLAMPS** in this instruction sheet.



DETAIL "B"

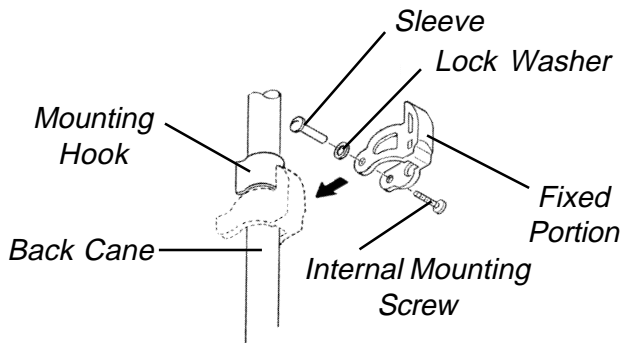


FIGURE 3- FIXED RELEASE CLAMPS FOR BACK

Quick Release Clamps For Seat (FIGURE 4)

*NOTE: Refer to **INSTALLATION WARNING** in the **SAFETY SUMMARY** before proceeding.*

NOTE: The quick release and fixed release clamps are designed to fit either 1-inch rail tubing or, with insert provided, 7/8-inch rail tubing.

1. Remove the sleeve, lock washer, and internal threaded mounting screw from the quick release clamp (**DETAIL "C"**).
2. Place the quick release clamp on the seat rail.
3. If quick release clamp is not tightly fitted around seat rail tubing, install insert provided as shown in **DETAIL "C"**.

4. Install the quick release clamp onto the seat rail so that the fixed portion is flush against and rests on top of the mounting hook and the release portion is between the front riggings and the mounting hook.
5. Reinstall the sleeve, lock washer, and internal mounting screw into the quick release clamp and torque to 75 - inch pounds.
6. Repeat **STEPS 1- 5** for other side.
7. Once quick release mounting clamps are secured, do one (1) of following:
 - A. Refer to **FIXED RELEASE CLAMPS FOR SEAT** in **PROCEDURE 2** of this instruction sheet.
 - B. Refer to **USING CLAMPS** in this instruction sheet.

Fixed Release Clamps For Seat (FIGURE 4)

*NOTE: Refer to **INSTALLATION WARNING** in the **SAFETY SUMMARY** before proceeding.*

NOTE: The quick release and fixed release clamps are designed to fit either 1-inch rail tubing or, with insert provided, 7/8-inch rail tubing.

1. Remove the sleeve, lock washer, and internal threaded mounting screw from the fixed release clamp (**DETAIL "C"**).
2. Place the fixed release clamp on the seat rail.
3. If fixed release clamp is not tightly fitted around seat rail tubing, install insert provided as shown in **DETAIL "C"**.
4. Install the fixed release clamp onto the back rail so that the fixed portion is flush against and rests on top of the mounting hook and is located between the seat rail and the bottom of the mounting hook.
5. Reinstall the sleeve, lock washer, and internal mounting screw into the fixed release clamp and torque to 75- inch pounds.
6. Repeat **STEPS 1-5** for other side.
7. Once fixed release mounting clamps are secured, do one (1) of following:
 - A. Refer to **QUICK RELEASE CLAMPS FOR SEAT** in **PROCEDURE 2** of this instruction sheet.
 - B. Refer to **USING CLAMPS** in this instruction sheet.

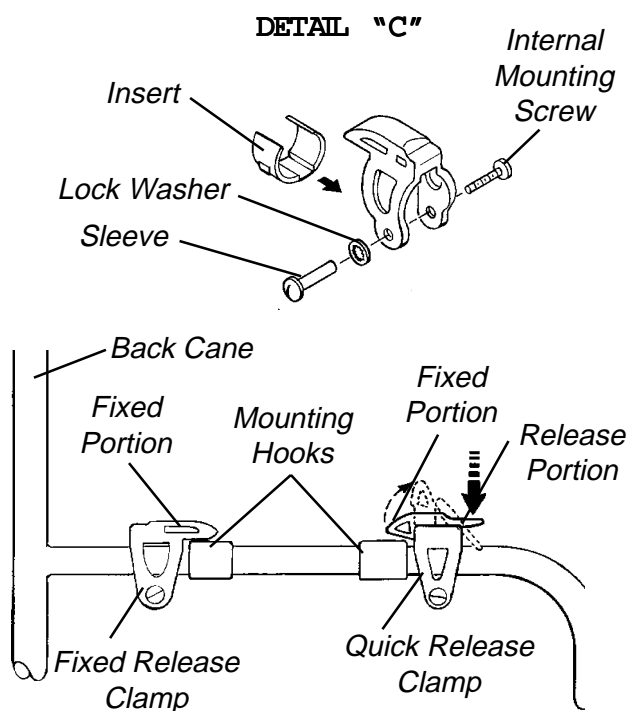


FIGURE 4 - QUICK RELEASE AND FIXED RELEASE CLAMPS FOR SEAT

Quick Release (FIGURE 6)

1. To unlock, push down on the release tab of the quick release rail clamps.
2. To lock, push down on the thumb-like feature of the quick release rail clamps.

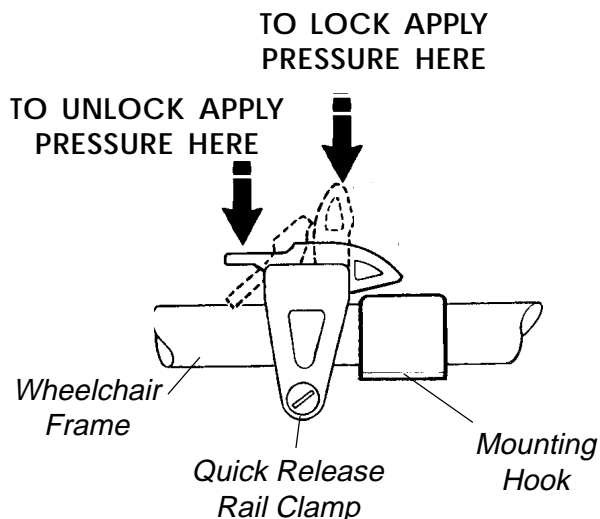


FIGURE 6 - USING CLAMPS - QUICK RELEASE

USING CLAMPS

Twist Release (FIGURE 5)

1. To unlock cane clamp, twist away from back cane.
2. To lock the cane clamp, twist in toward the back.

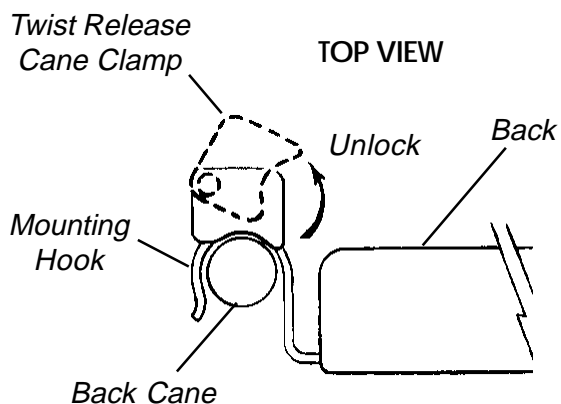


FIGURE 5 - USING CLAMPS - TWIST RELEASE

Invacare Corporation

www.invacare.com



Yes, you can.™

USA
One Invacare Way
Elyria, Ohio USA
44036-2125
800-333-6900

Canada
5970 Chedworth Way
Mississauga, Ontario
L5R 3T9, Canada
905-890-8838

Invacare is a registered trademark of Invacare Corporation.
Yes, you can is a trademark of Invacare Corporation.
© 2001 Invacare Corporation
Form No. 97-186 Part No. 1074563 Rev C (1) 03/01

Free Manuals Download Website

<http://myh66.com>

<http://usermanuals.us>

<http://www.somanuals.com>

<http://www.4manuals.cc>

<http://www.manual-lib.com>

<http://www.404manual.com>

<http://www.luxmanual.com>

<http://aubethermostatmanual.com>

Golf course search by state

<http://golfingnear.com>

Email search by domain

<http://emailbydomain.com>

Auto manuals search

<http://auto.somanuals.com>

TV manuals search

<http://tv.somanuals.com>