

Lynx L-3X Scooter Series



Yes, you can.™

Parts Catalog Usage Guide

The information contained in this document is subject to change without notice. This catalog contains service parts for Form No. 07-080. If you have any questions regarding this catalog, please contact one of our Customer Service Representatives.

For Customer Service Support Call:

1-800-333-6900

For Faxed In Orders Call:

1-800-678-4682 or

1-440-366-0709

For Technical Service Call:

1-800-832-4707

Literature Can Be Found at:

www.invacare.com or

1-800-828-6272

SYMBOL DEFINITION

Throughout this catalog you will notice letters to draw your attention to specific footnotes which are located at the bottom of the page or below specified charts.

Examples:

A,B,C etc. = Special Comments

NOTE: = General information pertaining to that specific page

NLA = No Longer Available

HARDWARE MEASUREMENTS

The measurements for the hardware will be listed as follows:

Screws, Bolts Diameter X Thread Count/Pitch X Length

Washers Inside Diameter X Outside Diameter X Thickness

Spacers Inside Diameter X Outside Diameter X Length

For your convenience, we have supplied an area for you to list your Invacare Representatives.

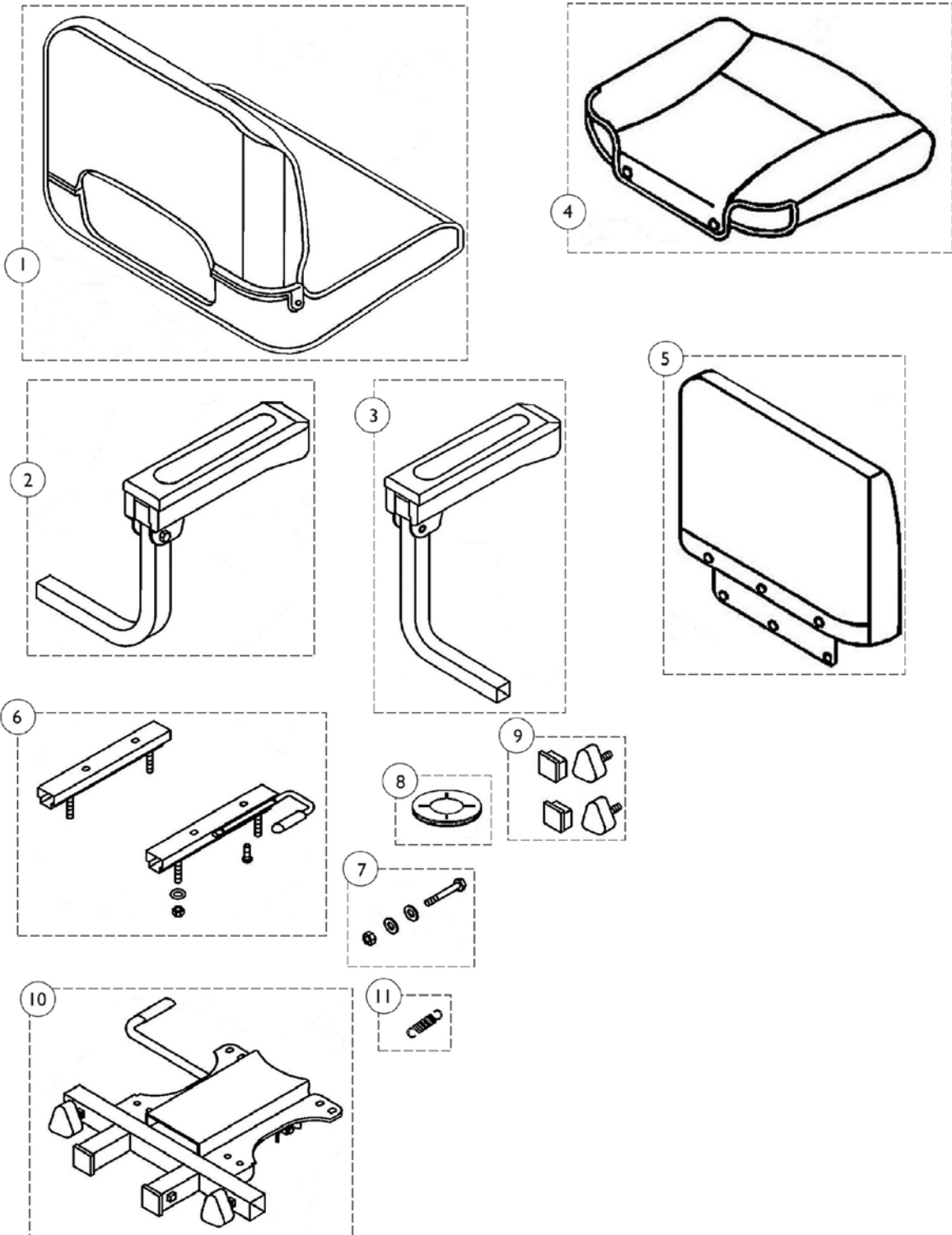
Name	Phone Numbers

©2007 Invacare Corporation. Elyria, Ohio. Invacare, the Medallion Design and Yes, you can. are registered trademarks and Lynx is a trademark of Invacare Corporation.

TABLE of CONTENTS

Description	Page Number
Chargers, Controller & Cable Cover	14
Floor Mats, Main and Rear Shrouds	5
Lower Tiller Assembly	10
Motor, Transaxle & Rear Wheel	16
Seat and Arms	3
Tiller Maintenance	7
Wire Harnesses & Battery Straps	12

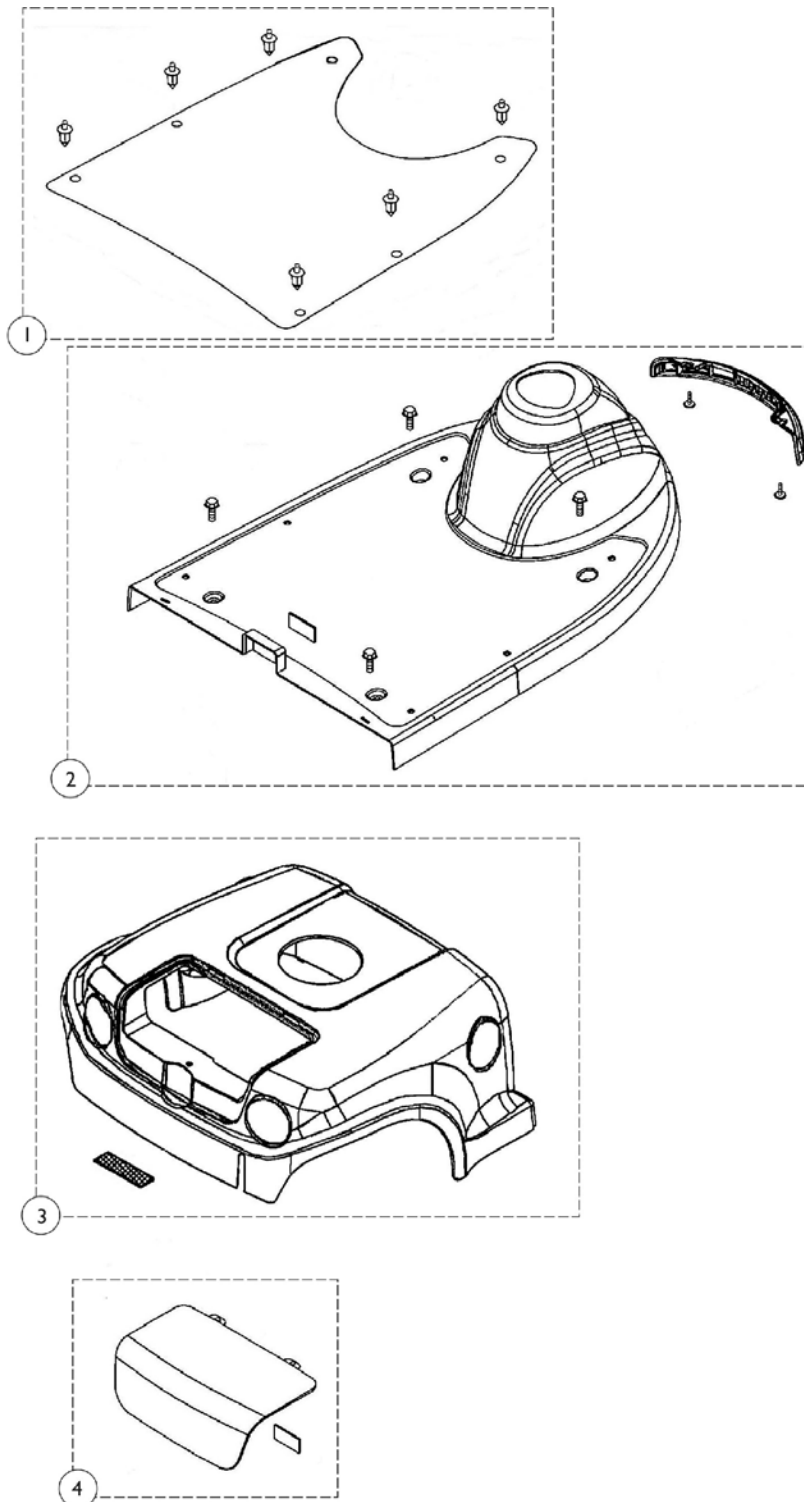
Seat and Arms



Seat and Arms

Item Number	Note	Part Number	Description	Quantity Per	
				Package	Assembly
1		1148842	Seat without Arms	1	1
2		1148843	Arm with Pad - Right	1	1
3		1148844	Arm with Pad - Left	1	1
4		1148847	Cover, Seat	1	1
5		1148848	Cover, Backrest	1	1
6		1148845	Kit, Seat Slide	1	1
7		1148850	Seat Post Hardware Includes: (1) ea. Nylon Nut, (1) ea. Bolt, & (2) ea. Washers.	1	1
8		1148852	Liner, Shroud/Guide Seat	1	1
9		1148849	Kit, Plugs and Knobs Includes: (2) ea. Screws & (2) ea. Plugs.	1	1
10		1148846	Seat Bracket Assembly	1	1
11		1144812	Spring, Seat Lever	1	1

Floor Mats, Main and Rear Shrouds

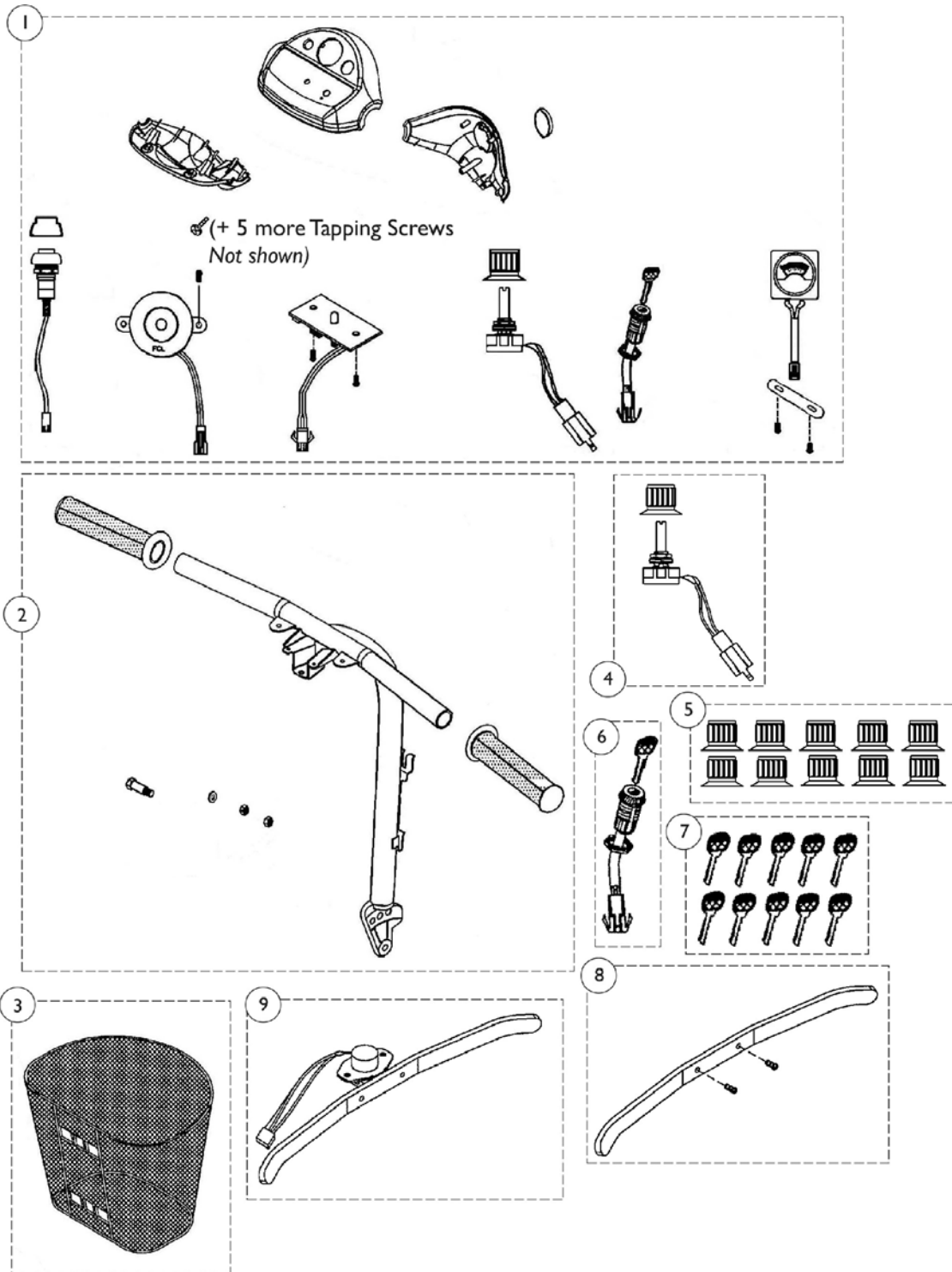


Floor Mats, Main and Rear Shrouds

Item Number	Note	Part Number	Description	Quantity Per	
				Package	Assembly
1	A	1148851	Kit, Floor Mat w/ Hardware Includes: (1) ea. Rubber Pad and (6) ea. Push Rivets.	1	1
2		1144816	Pkg, Push Rivets (Pkg of 25)	25	1
2		1148855	Kit, Floor Shroud - Red Includes: (1) ea. 3-D Invacare Logo, (1) ea. Front Shroud - Red, (4) ea. Shield Bolts, (1) ea. Front Bumper Cover, (2) ea. Bolt, (1) ea. Hook & Loop, (1) ea. Weight Capacity Decal, and (1) ea. Warning Label.	1	1
2		1148856	Kit, Floor Shroud - Blue Includes: (1) ea. 3-D Invacare Logo, (1) ea. Front Shroud - Blue, (4) ea. Shield Bolts, (1) ea. Front Bumper Cover, (2) ea. Bolt, (1) ea. Hook & Loop, (1) ea. Weight Capacity Decal, and (1) ea. Warning Label.	1	1
3		1148857	Kit, Rear Shroud - Red Includes: (1) ea. Drive/Push Decal, (1) ea. Rear Shroud - Red, (1) ea. Hook & Loop, and (2) ea. Lynx Side Logo Decals.	1	1
3		1148858	Kit, Rear Shroud - Blue Includes: (1) ea. Drive/Push Decal, (1) ea. Rear Shroud - Blue, (1) ea. Hook & Loop, and (2) ea. Lynx Side Logo Decals.	1	1
4		1148853	Cover, Shroud Tail w/ Decal - Red	1	1
4		1148854	Cover, Shroud Tail w/ Decal - Blue	1	1

NOTE: A - Not Shown

Tiller Maintenance



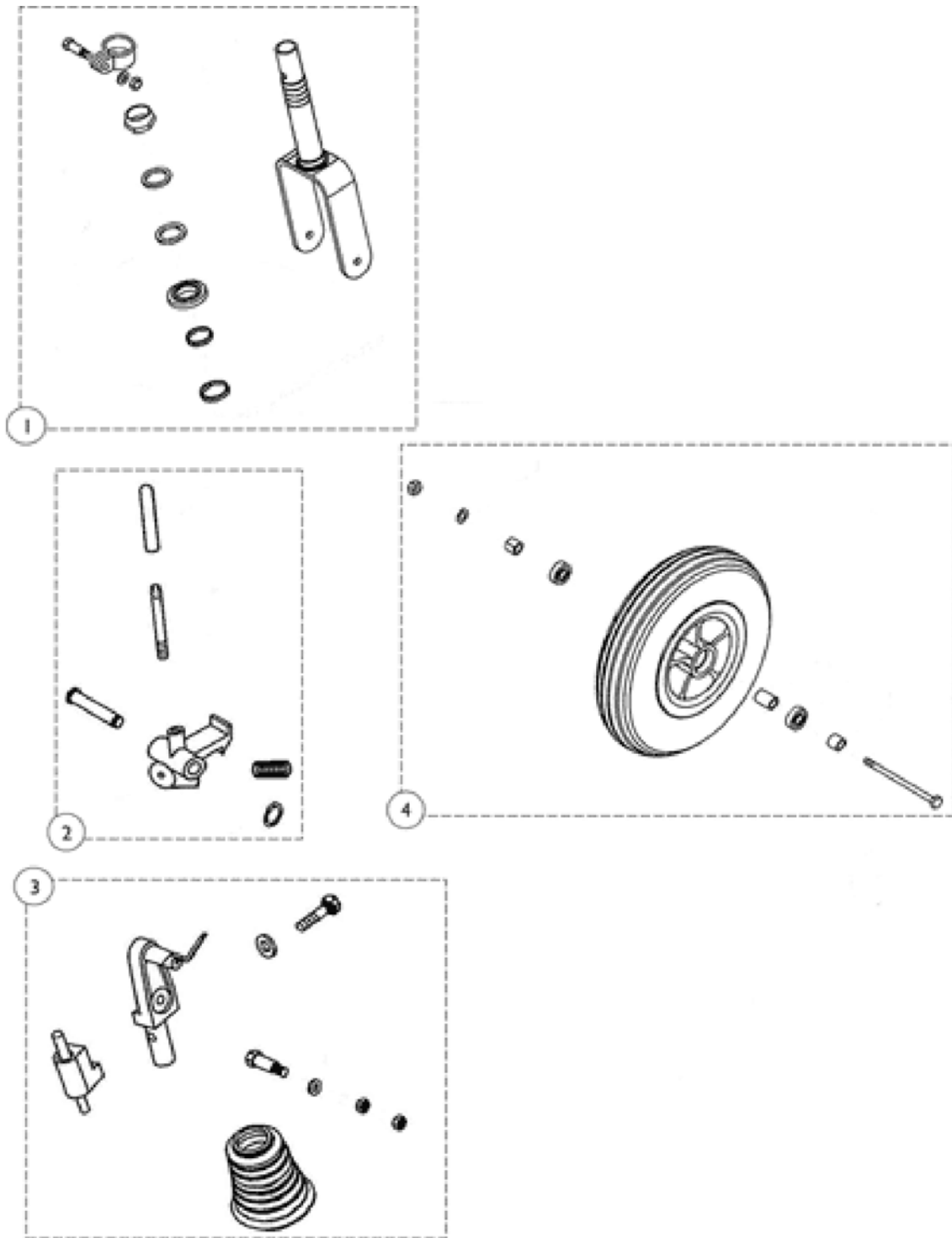
Tiller Maintenance

Item Number	Note	Part Number	Description	Quantity Per	
				Package	Assembly
1		1148838	Kit, Tiller Cover - Red Includes: (1) ea. Upper Steering Cover, (1) ea. Front Steering Cover - Red, (1) ea. Rear Steering Cover - Red, (1) ea. Faceplate Decal, (1) ea. Reflector, (6) ea. Tapping Screws, (1) ea. Volt Meter, (2) ea. Screw, (1) ea. Speed Pot, (1) ea. Speed Control Knob, (1) ea. Ignition Switch w/ Key, (1) ea. Horn speaker, (2) ea. Screw, (1) ea. 2-Pole Switch Complete, (1) ea. Splash Cap Complete, (1) ea. Meter PC Board, and (2) ea. Screws.	1	1
1		1148839	Kit, Tiller Cover - Blue Includes: (1) ea. Upper Steering Cover, (1) ea. Front Steering Cover - Blue, (1) ea. Rear Steering Cover - Blue, (1) ea. Faceplate Decal, (1) ea. Reflector, (6) ea. Tapping Screws, (1) ea. Volt Meter, (2) ea. Screw, (1) ea. Speed Pot, (1) ea. Speed Control Knob, (1) ea. Ignition Switch w/ Key, (1) ea. Horn speaker, (2) ea. Screw, (1) ea. 2-Pole Switch Complete, (1) ea. Splash Cap Complete, (1) ea. Meter PC Board, and (2) ea. Screws.	1	1
2		1148841	Kit, Steering Bar Includes: (1) ea. Steering bar, (2) ea. Hand Grips, (1) ea. Plain Washer, (2) ea. Nylon Washer, and (1) ea. Bolt.	1	1
3		1148861	Basket	1	1
4		1144791	Kit, Speed Pot Includes: (1) ea. Speed Control Knob and (1) ea. Speed Pot - 30 K Ohms	1	1
5		1144792	Pkg, Speed Control Knobs (Pkg of 10)	10	1

Tiller Maintenance

Item Number	Note	Part Number	Description	Quantity Per	
				Package	Assembly
6		1144793	Ignition Switch w/Key	1	1
7		1144794	Pkg, Ignition Keys (Pkg of 10)	10	1
8		1144795	Throttle Pot & Lever Assembly	1	1
9		1144796	Throttle Lever w/Hardware	1	1

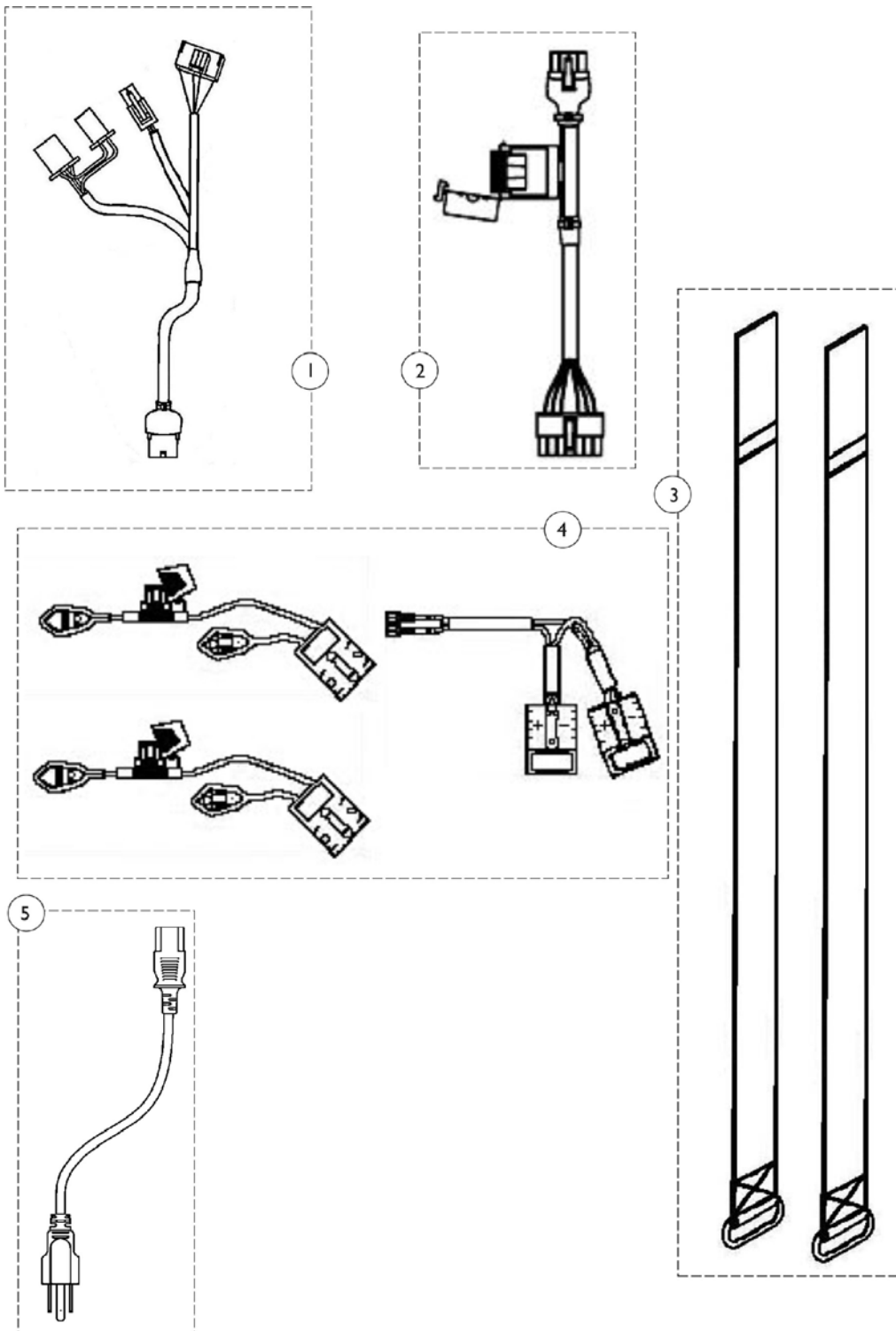
Lower Tiller Assembly



Lower Tiller Assembly

Item Number	Note	Part Number	Description	Quantity Per	
				Package	Assembly
1		1148840	Kit, Fork w/ Hardware Includes: (1) ea. Fork, (1) ea. Padlock, (1) ea. Steering Nut, (1) ea. Plain Washer, (1) ea. Tooth Washer, (1) ea. Steering Race, and (2) ea. Set Bearing.	1	1
2		1148836	Kit, Frame Connection Included: (1) ea. Frame Hook, (1) ea. Hook Pin, (1) ea. C-Ring, (1) ea. Spring, (1) ea. Lever, & (1) ea. Lever Cap.	1	1
3		1148837	Kit, Lower Steering Hardware Includes: (1) ea. Steering Adj., (1) ea. Plain Washer, (2) ea. Nylon Nut, (1) ea. Bolt, (1) ea. Joint Bolt, (1) ea. Washer, & (1) ea. Guide Complete.	1	1
4		1148859	Kit, Front Wheel Assembly Includes: (2) ea. Nylon Nuts, (1) ea. Front Wheel Assembly, (1) ea. Plain Washer, (1) ea. Bolt, & (2) ea. Spacers.	1	1

Wire Harnesses & Battery Straps

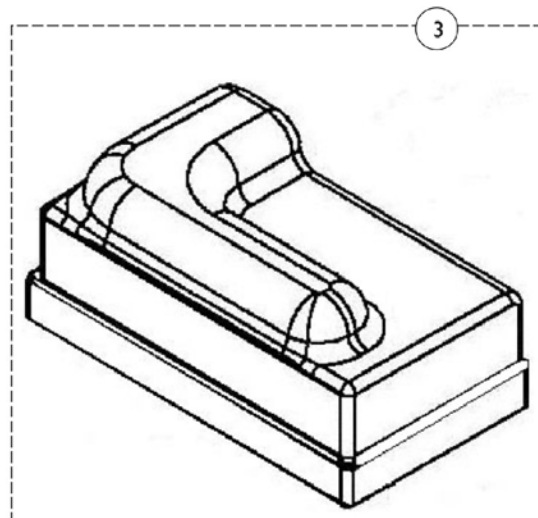
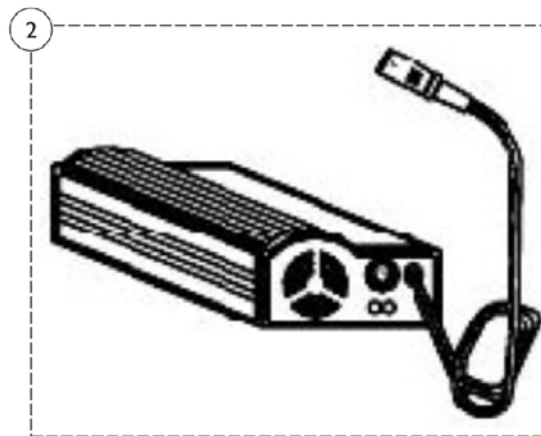
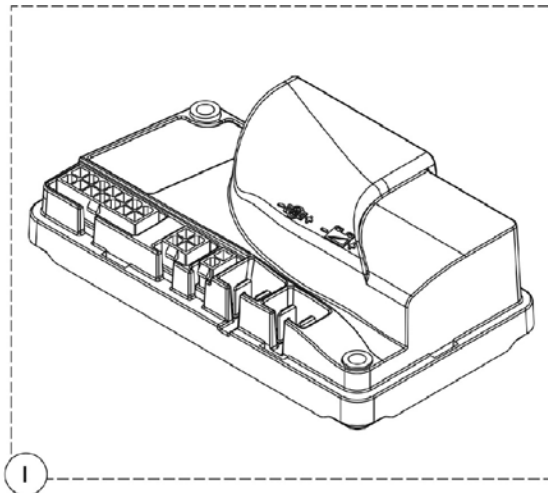


Wire Harnesses & Battery Straps

Item Number	Note	Part Number	Description	Quantity Per	
				Package	Assembly
1		1148831	Harness, Front Wiring	1	1
2		1148832	Kit, Rear Wiring Harness	1	1
3		1148834	Battery Straps	1	1
4		1148833	Kit, Battery Wiring	1	1
5		1144798	Cable, Charger	1	1
	A	1144835	Fuse, 3 AMP	1	1
	A	1144836	Fuse, 5 AMP	1	1

NOTE: A - Not shown

Chargers, Controller & Cable Cover

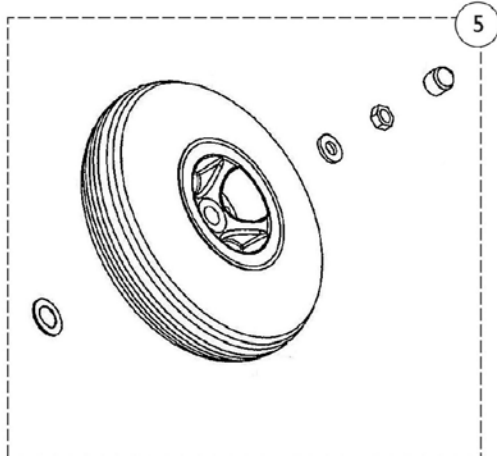
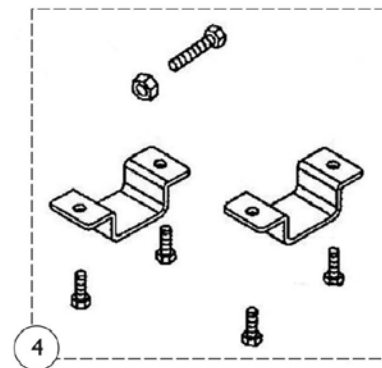
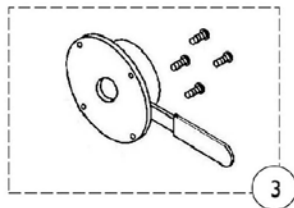
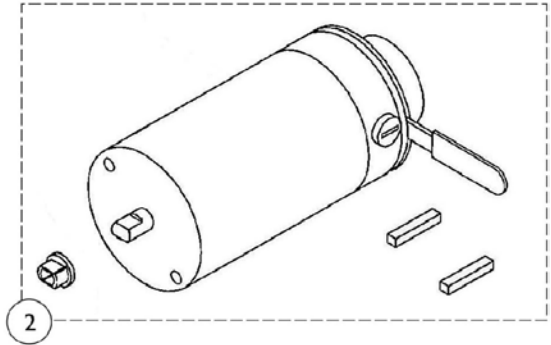
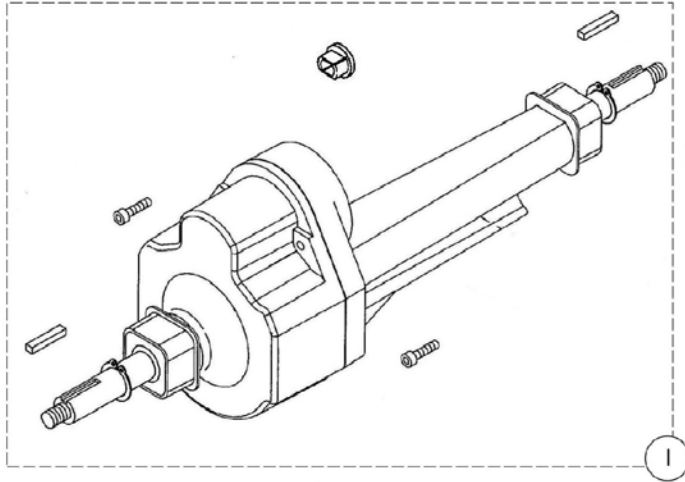


Chargers, Controller & Cable Cover

Item Number	Note	Part Number	Description	Quantity Per	
				Package	Assembly
1	A	1144573	Controller R-Series (DR-90)	1	1
2		1148830	Charger, 5 AMP Off-Board 24 DC	1	1
3		1148829	Cover, Plastic Cable	1	1
4		1148828	Kit, Controller R-Series (DR-90) w/ Hardware Includes: (1) ea. Controller and (2) ea. Bolt.	1	1

NOTE: A - The controller may or may not reflect the true look of the controller supplied.

Motor, Transaxle & Rear Wheel



Motor, Transaxle & Rear Wheel

Motor, Transaxle & Rear Wheel

Item Number	Note	Part Number	Description	Quantity Per	
				Package	Assembly
1		1148824	Kit, Transaxle Includes: (1) ea. Differential, (2) ea. Keys, (2) ea. Bolts, (1) ea. Guide, and (1) ea. Decal, Inspection.	1	1
2		1148825	Kit, Motor with Brake Includes: (1) ea. Motor Assembly, (1) ea. Guide, and (2) ea. Keys.	1	1
3		1148827	Kit, Brake with Hardware Includes: (1) ea. Brake and (4) ea. Screw M4 x 8L.	1	1
4		1148835	Kit, Transaxle Hardware Includes (2) ea. Holder, Differential, (4) ea. Bolt M6 x 12L, (1) ea. Bolt M8 x 25L, and (1) ea. Nut.	1	1
5		1148860	Kit, Rear Wheel Includes: (2) ea. Spacers. (1) ea. Rear Wheel, (1) ea. Plain Washer, (1) ea. Nylon Nut, and (1) ea. Cap Washer.	1	1

Invacare Corporation

www.invacare.com



Yes, you can.™

One Invacare Way
Elyria, Oh USA
44036-2125
800-333-6900

Technical Support
800-832-4707
Florida Technical Support
407-321-5630

Customer Service
800-333-6900

©2007 Invacare Corporation. Elyria, Ohio.
All rights reserved. Trademarks are
identified by the symbols™ and®. All
trademarks are owned by or licensed to
Invacare Corporation unless otherwise
noted. (Rev. 8/8/07)

Form No. 07-080

Free Manuals Download Website

<http://myh66.com>

<http://usermanuals.us>

<http://www.somanuals.com>

<http://www.4manuals.cc>

<http://www.manual-lib.com>

<http://www.404manual.com>

<http://www.luxmanual.com>

<http://aubethermostatmanual.com>

Golf course search by state

<http://golfingnear.com>

Email search by domain

<http://emailbydomain.com>

Auto manuals search

<http://auto.somanuals.com>

TV manuals search

<http://tv.somanuals.com>