

**Pronto® M50™/ M51™  
with SureStep®  
After 1/19/05  
Pronto® M61™  
with SureStep®  
MWD  
Powered Wheelchair**



*Yes, you can.™*

# Parts Catalog Usage Guide

The information contained in this document is subject to change without notice. This catalog contains service parts for Form No. 04-050. If you have any questions regarding this catalog, please contact one of our Customer Service Representatives.

**For Customer Service Support Call:**

**1-800-333-6900**

**For Faxed In Orders Call:**

**1-800-678-4682 or**

**1-440-366-0709**

**For Technical Service Call:**

**1-800-832-4707**

**Literature Can Be Found at:**

**[www.invacare.com](http://www.invacare.com) or**

**1-800-828-6272**

## SYMBOL DEFINITION

Throughout this catalog you will notice letters to draw your attention to specific footnotes which are located at the bottom of the page or below specified charts.

Examples:

A,B,C etc. = Special Comments

NOTE: = General information pertaining to that specific page

NLA = No Longer Available

## HARDWARE MEASUREMENTS

The measurements for the hardware will be listed as follows:

Screws, Bolts Diameter X Thread Count/Pitch X Length

Washers Inside Diameter X Outside Diameter X Thickness

Spacers Inside Diameter X Outside Diameter X Length

For your convenience, we have supplied an area for you to list your Invacare Representatives.

Name	Phone Numbers

©2008 Invacare Corporation. Elyria, Ohio. Invacare, Yes, you can., the Medallion Design, Pronto, and SureStep are registered trademarks and Formula, MKIV, MK5, NX, SPJ, M50, M51, and M61 are trademarks of Invacare Corporation.

# TABLE of CONTENTS

<b>Description</b>	<b>Page Number</b>
A: READ THIS FIRST (THIS CATALOG IS DIFFERENT!) .....	5
Accessories - Miscellaneous .....	120
Accessories - Power Wheelchair Tool Kit .....	122
Accessories - Walker Holder .....	121
Adapter, Seat ADJASBA and Mounting Hardware (After 4/29/08) .....	33
Adapter, Seat ADJASBA and Mounting Hardware with TRRO/TRBKTS .....	35
Arms - ASBA & AdjASBA Seat (Adjustable Height) .....	60
Arms - ASBA & AdjASBA Seat (Fixed Height) .....	57
Arms - Van Seat .....	54
Arms, Front/Rear Arm Socket Asbly. & Hdwr. - ADJASBA M51 After 04/29/08 .....	62
Arms, Mtg. Front/Rear Arm Socket Asbly. & Hdwr. For M51 ADJASBA Seats with TRRO After 4/29/08	63
Back Cane Attaching Hardware - M51 ADJASBA (After 04/29/08) .....	39
Back Canes and Spreader Bar - M51 ADJASBA (After 4/29/08) .....	41
Back Canes, Spreader Bars and Attaching Hardware .....	37
Battery Harnesses .....	74
Casters and Forks .....	69
Electronics - MK5 NX Controllers and Battery Chargers .....	106
Electronics - MK5 SPJ/SPJ+ and MK6i SPJ+ ACC Joysticks and Mounting Hardware .....	103
Electronics - Quad Link Assembly (Before 4/07/06) .....	108
Electronics - Quad Link Assembly (QL) (After 4/06/06) .....	111
Elevating Seat Actuator, Proximity Sensor, and Hardware .....	52

# TABLE of CONTENTS

Description	Page Number
Frame Finish, Touch Up Paint and Shroud Colors .....	6
Frame, ASBA Seat and Mounting Hardware - M50/M51 .....	27
Frame, ASBA Seat and Mounting Hardware - M50/M51 Center Post Attachment .....	18
Frame, ASBA Seat and Mounting Hardware - M61 .....	29
Frame, Base and Van Seat Post Assembly .....	14
Frame, Base, Bearings, & Hdwr. - M51 w/ Formula CG Tilt (CGT) & M51PR After 4/29/08 ....	10
Frame, Seat ADJASBA, Seat Pan & Hdwr. (16"-20" W x 16"-22" D) (After 4/29/08) .....	47
Frame, Van Seat and Mounting Hardware - Center Post Attachment .....	16
Frame, Van Seat and Mounting Hardware - M50/M51 .....	22
Frame, Van Seat, Mounting Hardware, and Seat Spacer Retro-fit Kit - M61 .....	24
Front Rigging - Adjustable Angle Footplates, AT5543 - PHW93 .....	97
Front Rigging - Footboard Assembly - 90FB .....	76
Front Rigging - Footrest and Legrest Accessories .....	100
Front Rigging - Footrest Supports, (Hemi) - PHW93 .....	85
Front Rigging - Front Rigging Hangers (Hemi) .....	78
Front Rigging - Hanger Assembly - ADJASBA After 4/29/08 .....	80
Front Rigging - Legrest Supports, (Hemi) - PH904A .....	87
Front Rigging - Legrest Supports, Articulating (Hemi) - PHAL4A .....	90
Front Rigging - Pivot/Slide Tube and Composite Footplate - PHW93 .....	99
Front Rigging - Pivot/Slide Tube and Footplates - PH904A and PHAL4A .....	95
Front Rigging - Pivot/Slide Tube and Footplates - PHW93 .....	93



# TABLE of CONTENTS

<b>Description</b>	<b>Page Number</b>
Front Rigging - Reference Chart .....	82
Motor, Gearbox, and Drive Wheel .....	72
Oxygen Holder Assembly - ADJASBA Seats After 4/29/08 .....	115
Oxygen Holder Assembly - ASBA Seat Before 4/28/08 .....	113
Oxygen Holder Assembly - Fold Down Medium Back Van Seat .....	117
Oxygen Holder Assembly - Semi-Recline Van Seat & Office Style Van Seat .....	118
Packaging, Literature and Decals .....	7
Seat Height Adjustment Slide Tubes - M51 PR After 4/29/08 .....	12
Seat Pan and Hardware - ASBA Center Post Mounted .....	45
Seat Release Hardware .....	34
Shrouds, and Attaching Hardware .....	65
Shrouds, Top Assembly - M51 with Formula CG Tilt (CGT) & M51 Rehab After 4/29/08 .....	67
TRRO and TRBKTS Option Clarification Reference .....	9
Upholstery, Back - ASBA and ADJASBA .....	43
Van Seat Assembly .....	49
Van Seat Frame and Actuator Hardware - 4 Post attachment .....	31
Walking Beams and Hardware - SureStep .....	20

## **A: READ THIS FIRST (THIS CATALOG IS DIFFERENT!)**

Pronto<sup>®</sup> M50<sup>™</sup>/M51<sup>™</sup> with SureStep<sup>®</sup> After 1/19/05  
and  
Pronto<sup>®</sup> M61<sup>™</sup> with SureStep<sup>®</sup>  
parts catalog information is now divided into two separate catalogs.

The Form Numbers and Cover Titles are listed below

### **Form # 04-050**

Pronto<sup>®</sup> M50<sup>™</sup>/M51<sup>™</sup> with SureStep<sup>®</sup> After 1/19/05  
and  
Pronto M61 with SureStep  
Powered Wheelchair

### **Form # 06-110**

MK6i Electronics

(MK6i was introduced to M61 on or about 10/16/06)  
(MK6i was introduced to M51 w/ Formula CG Tilt 10/25/07)

**Use both form numbers to order a “complete” Parts Catalog**

# Frame Finish, Touch Up Paint and Shroud Colors

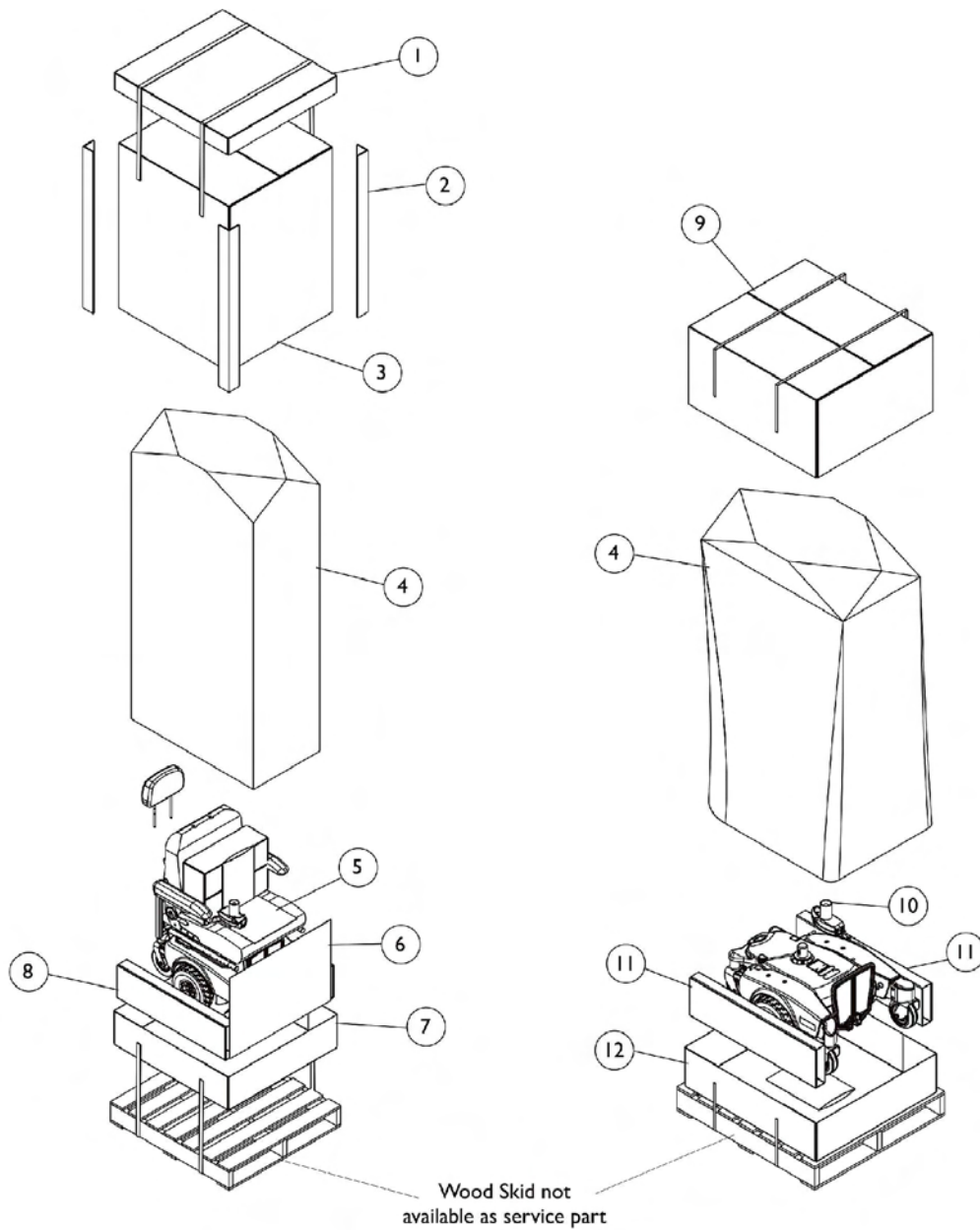
## Frame Finish

Color Number	Part Number	Bottle Size	Color
34P	1046327	.6 oz	Flat Black

## Shroud Colors

Color Number	Color
BL (DBLM)	Deep Blue
RD (CRDM)	Candy Red

# Packaging, Literature and Decals



**Seat with Base Packaging**

**Base Only Packaging**

## Packaging, Literature and Decals

Item Number	Note	Part Number	Description	Quantity Per	
				Package	Assembly
1		1127752	Carton, Tray Top	1	1
2		1115174	Carton, Corner Reinforcement	1	4
3		1127753	Carton, Cover	1	1
4		1015592	Bag, Poly (72" L x 35" W x 19" D)	1	1
5		40131X161	Insert, Plain Pad	1	1
6		1127755	Carton, Pad	1	1
7		1127756	Carton, Tray	1	1
8		1127754	Carton, Insert	1	2
9		1127296	Carton, Cover Base	1	1
10		1043198-NLA	Tube, Paper	1	1
11		1127294	Insert, Carton	1	1
12		1127295	Tray, Carton	1	1
	A	1125085	Manual, Owner's Manual Pronto M50/M51/M61	1	1
	A	1110532	Manual, Instruction, MK5 NX/NX-LP	1	1
	A	1125093	Instruction Sheet, Battery Installation	1	1
	A	1110604	Decal, Shroud M50	1	2
	A	1110605	Decal, Shroud M51	1	2
	A	1127292	Decal, Shroud M61	1	2
	A	1104797	Decal, Shroud Drive/Push	1	2
	A	1035900	Decal, Transportation	1	1
	A	1119281	Name Plate, Patent Numbers	1	1
	A	1107651	Decal, Front Battery Cover	1	1
	A	1107652	Decal, Rear Battery Cover	1	1
	A	1148076	Manual, Owner's Pronto M51 Formula CG Tilt (CGT) Base	1	1

NOTE: A - Not Shown

NOTE: When adjusting or replacing parts, please refer to your owner's manual for assistance.

# TRRO and TRBKTS Option Clarification Reference

## About Transport Ready Packages

**TRRO** includes four factory-installed transport brackets and a wheelchair anchored pelvic belt. **TRRO** has been crash-tested in accordance with ANSI/RESNA WC Vol. 1 Section 19 Frontal Impact Test requirements for wheelchairs with a 168 lb. Crash dummy, which corresponds to a person with weight of 114 to 209 lbs.

**TRBKTS** includes four factory-installed wheelchair transport brackets. **TRBKTS** has not been crash-tested in accordance with WC 19. Use these transport brackets only to secure an unoccupied wheelchair during transport.

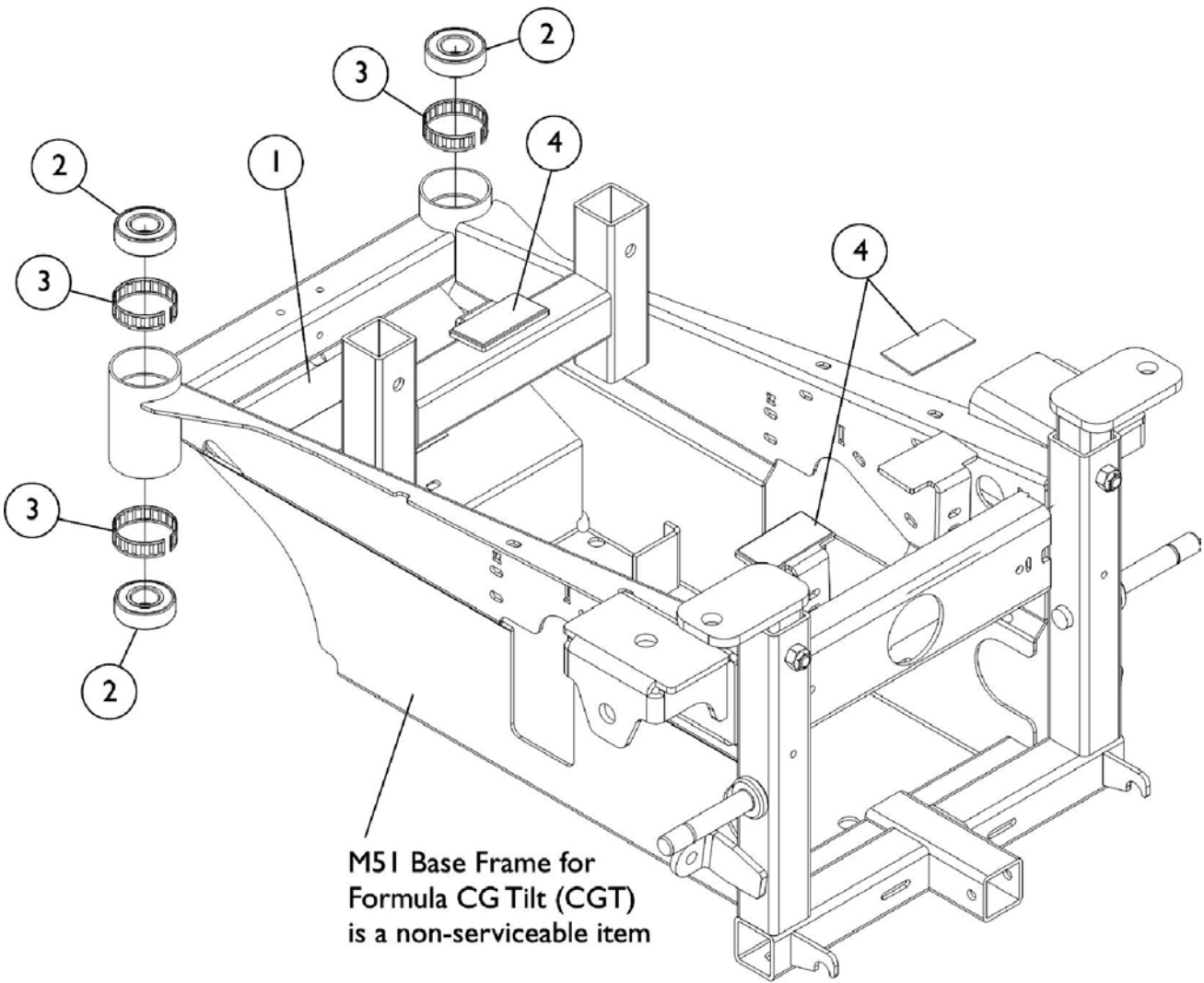
Only use the transport brackets included with **TRRO** and **TRBKTS** for the purpose described in the appropriate Owner's Operator and Maintenance Manual.

As of this date, the Department of Transportation has not approved any tie-down systems for transportation of a user while in a wheelchair, in a moving vehicle of any type. It is Invacare's position that users of wheelchairs should be transferred into appropriate seating in vehicles for transportation and use be made of the restraints made available by the auto industry. Invacare cannot and does not recommend any wheelchair transportation systems.

**NOTE:** ANSI = American National Standards Institute, RESNA = Rehabilitation Engineering and Assistive Technology Society of North America.

# Base Frame, Bearings, & Hardware

M51 w/ Formula CG Tilt (CGT) & M51PR After 4/29/08



## Base Frame, Bearings, & Hardware

### M51 w/ Formula CG Tilt (CGT) & M51PR After 4/29/08

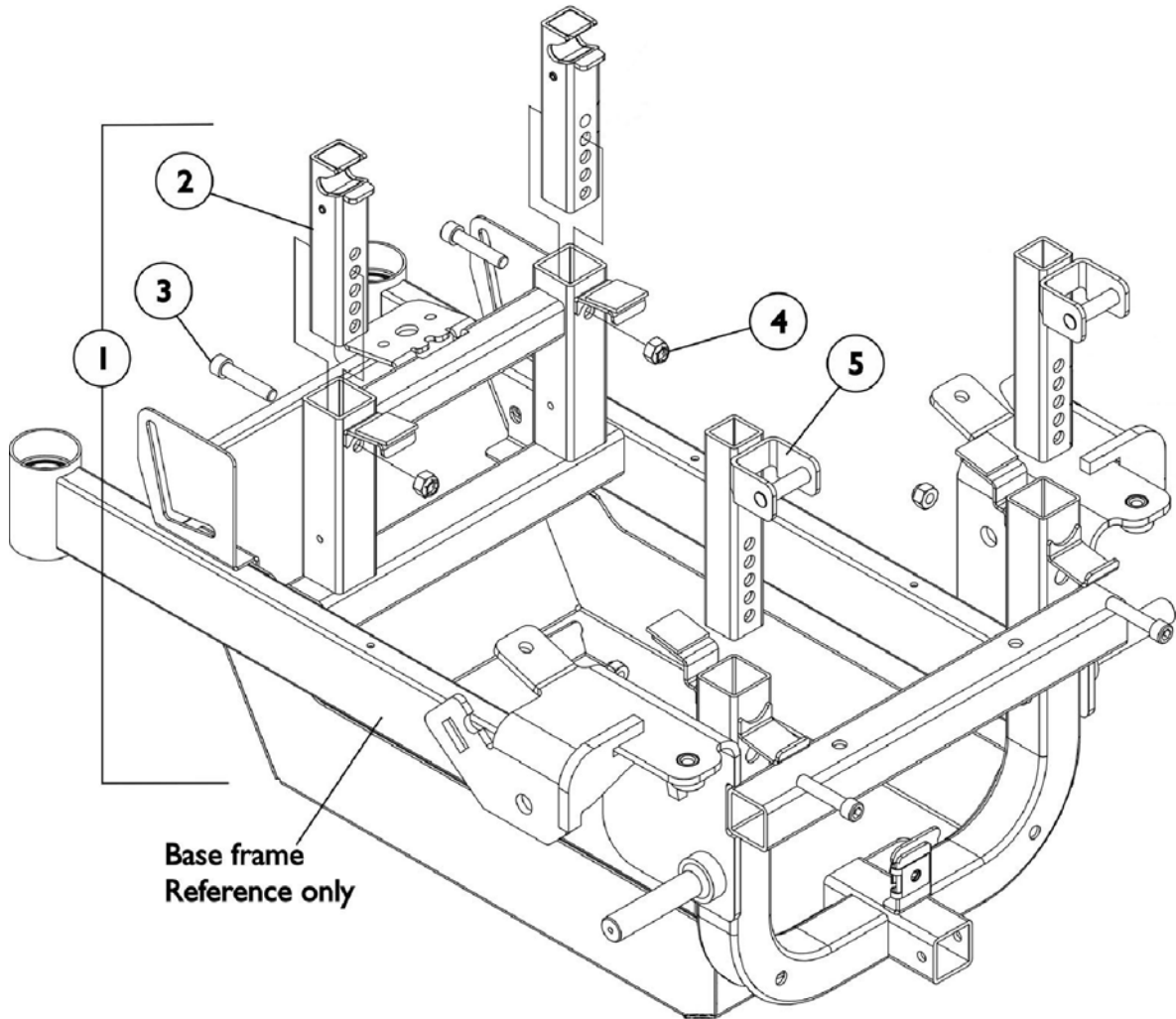
Item Number	Note	Part Number	Description	Quantity Per	
				Package	Assembly
1		1062095	Fastener, Loop with Adhesive Back (1" Wide x 4" Long)	1	2
2		40117X006	Bearing (5/8")	1	4
3		1110717	Ring, Tolerance	1	4
4		1142189	Fastener, Hook with Adhesive Back (1" x 2")	1	3

NOTE: Base Frame is a non-serviceable part.



# Seat Height Adjustment Slide Tubes

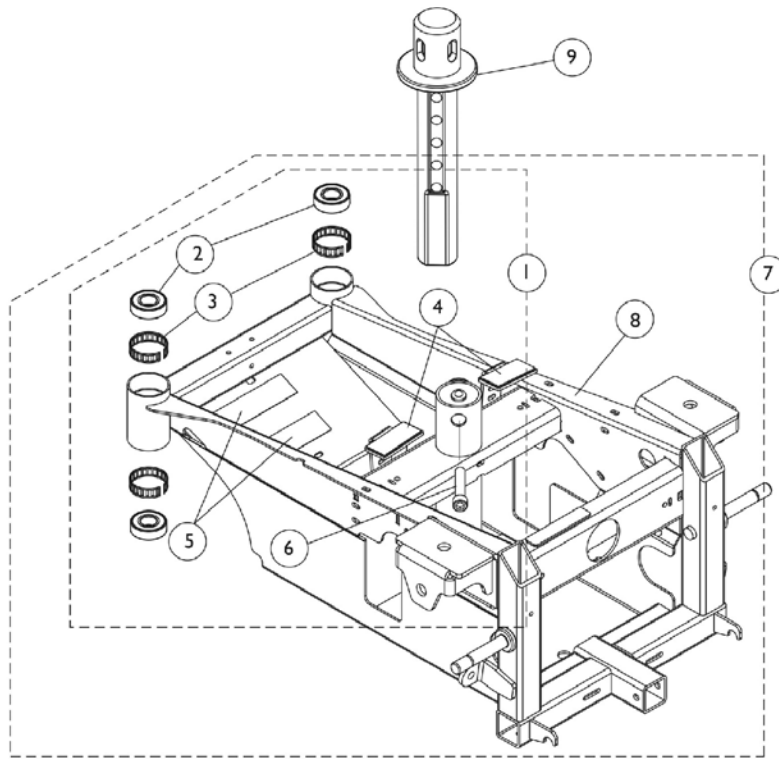
M51 PR After 4/29/08



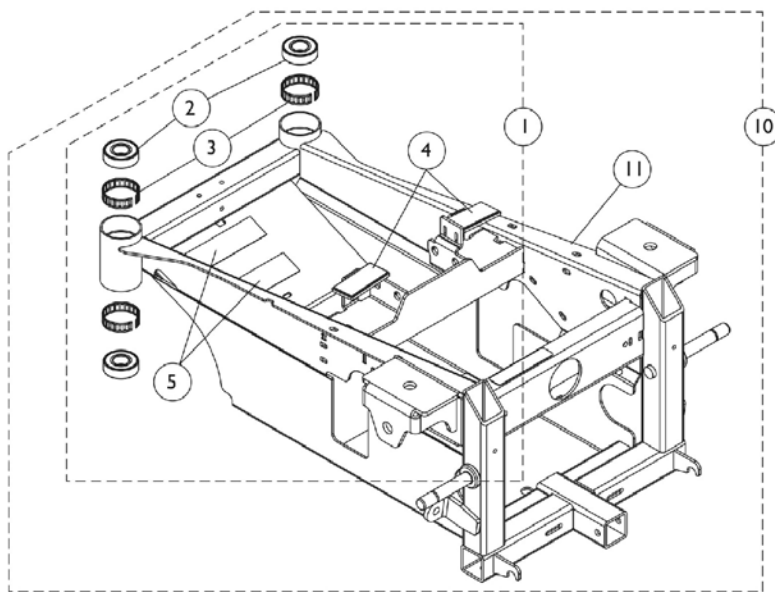
## Seat Height Adjustment Slide Tubes M51 PR After 4/29/08

Item Number	Note	Part Number	Description	Quantity Per	
				Package	Assembly
1	A,B	1110707	Kit, Seat Height Adjustment Slide Tubes and Hardware	1	1
2			Slide Tube, Seat Height Adjustment - Rear	1	2
3			Screw, Socket Head Cap (5/16-18 x 1-1/2")	1	4
4			Locknut (5/16-18)	1	4
5			Slide Tube, Seat Height Adjustment - Front	1	2
2		1152529	Slide Tube, Seat Height Adjustment - Rear	1	2
3		1021344	Screw, Socket Head Cap (5/16-18 x 1-1/2")	1	4
4		1026158	Locknut (5/16-18)	1	4
5	B	1109215	Slide Tube, Seat Height Adjustment - Front	1	2
NOTE: A - Includes Items 2-5 B - 300 Lb. capacity					

# Base Frame and Van Seat Post Assembly



**Chairs with Non-Elevating Seat**



**Chairs with Elevating Seat**

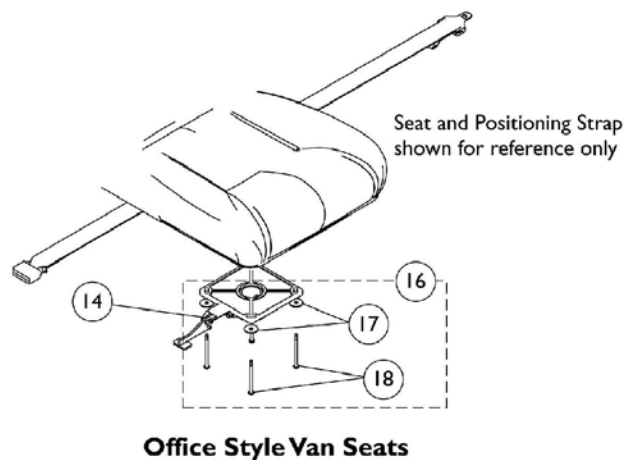
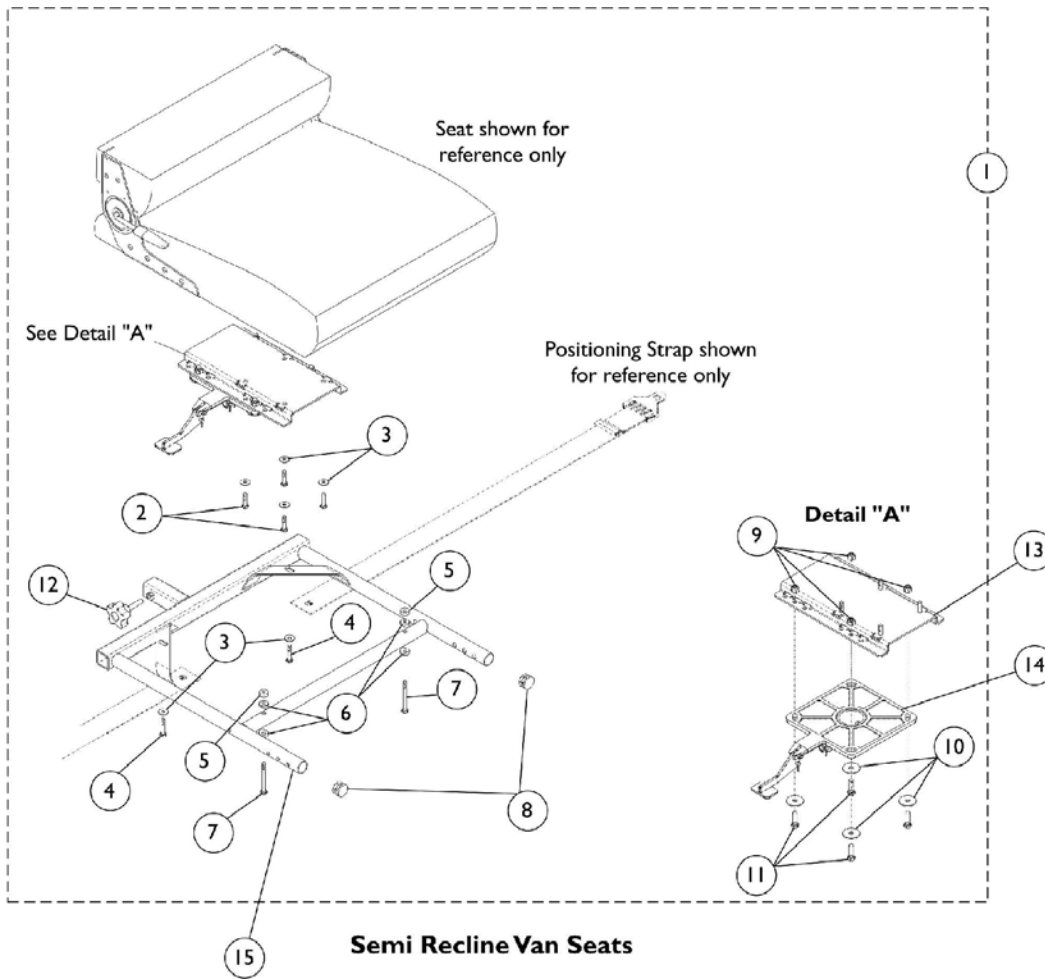
## Base Frame and Van Seat Post Assembly

Item Number	Note	Part Number	Description	Quantity Per	
				Package	Assembly
1	A	1127300	Kit, Frame Hardware	1	1
2			Bearing (5/8")	1	4
3			Ring, Tolerance	1	4
4			Hook (1" Wide)	1	2
5			Fastener, Loop w/ Adhesive (1")	1	2
6			Screw, Socket Head Cap w/ Patch (3/8-16 x 2")	1	1
7	B	1127404	Frame Assembly, Non Elevating Seat	1	1
8		1127403	Frame	1	1
9	D	1143697	Post, Seat Pivot	1	1
10	C	1127268	Frame Assembly, Elevating Seat	1	1
11		1127267	Frame, Elevating Seat	1	1

NOTE: A - Includes items 2-6. Although included in frame hardware kit, item 6 (Screw) is not required for chairs with elevating seat.  
 B - Includes items 1 and 8  
 C - Includes items 1 and 11  
 D - Effective 10/05/06, the Seat Pivot Post has been updated to give the seat the capability to lock in a 90 degree position from straight either right or left.

# Van Seat Models M50/M5/M61 & Solid Base Van Seats Before 4/28/08 with Center Post attachment

If converting a chair from Office Style Van Seat to Semi-Recline Van Seat items 1, 13, and 15 must be ordered in addition to the seat.



## Van Seat Models M50/M5/M61 & Solid Base Van Seats Before 4/28/08 with Center Post attachment

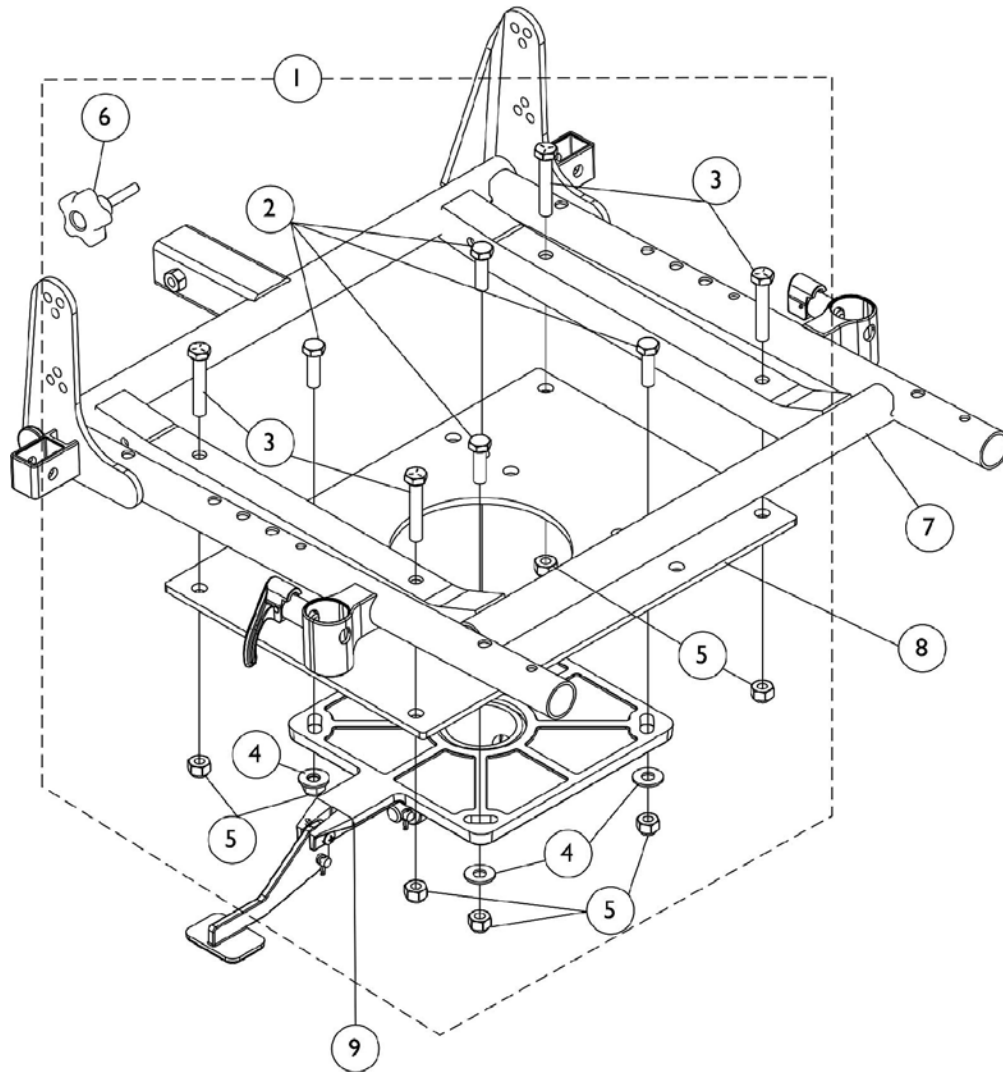
If converting a chair from Office Style Van Seat to Semi-Recline Van Seat items 1, 13, and 15 must be ordered in addition to the seat.

Item Number	Note	Part Number	Description	Quantity Per	
				Package	Assembly
1	A,B	1119577	Kit, Van Seat Mounting Hardware	1	1
2			Screw, Hex Head Cap with Patch (1/4-20 x 1")	1	4
3			Washer (1/4 x 23/32 x 1/16")	1	6
4			Screw, Hex Head (1/4-20 x 1-1/4")	1	2
5			Spacer (1/4 x 5/8 x 1/4")	1	2
6			Spacer, Coved (1/4 x 11/16 x 1/2")	1	4
7			Screw, Hex Head w/Patch (1/4-20 x 2-1/2")	1	2
8			Plug Button, Black (1")	1	2
9			Locknut (5/16-18)	1	4
10			Washer, Steel (5/16 x 1-1/4 x 1/16")	1	4
11			Screw, Hex Head Cap w/ Patch (5/16-18 x 1")	1	4
12			Knob, Adjustment (5/16-18 x 1-1/2")	1	1
10		1092409	Washer, Steel (5/16 x 1-1/4 x 1/16")	1	4
11		1104258	Screw, Hex Head Cap w/ Patch (5/16-18 x 1")	1	4
13	C	1116919	Bracket, Seat Mounting	1	1
13	D	1129722	Bracket, Seat Mounting	1	1
14		1116413	Pivot, Seat	1	1
15		1123391	Frame, Van Seat - 16" Wide	1	1
15		1116392	Frame, Van Seat - 18" Wide	1	1
15		1116393	Frame, Van Seat - 20" Wide	1	1
16	E	1136494	Kit, Van Seat Mounting Hardware - Office Style	1	1
17			Washer, Steel (5/16 x 1-1/4 x 1/16")	1	4
18			Screw, Hex Head Cap with Patch (1/4-20 x 1-1/2")	1	4

NOTE: A - Item 8, Plug Buttons, are only used in the absence of front riggings.  
 B - Includes items 2-12  
 C - Van Seats without Solid Seat Base  
 D - Van Seats with Solid Seat Base  
 E - Includes items 17-18

# ASBA Seat Frame and Mounting Hardware

## M50/M51 Center Post Attachment before 4/29/08



## ASBA Seat Frame and Mounting Hardware M50/M51 Center Post Attachment before 4/29/08

Item Number	Note	Part Number	Description	Quantity Per	
				Package	Assembly
1	A	1134543	Kit, Seat Frame Adapter Hardware	1	1
2			Screw, Hex Head Cap (5/16-18 x 1")	1	4
3			Screw, Hex Head (5/16-18 x 1-3/4")	1	4
4			Washer (5/16 x 3/4 x 1/16")	1	4
5			Locknut (5/16-18)	1	8
6			Knob, Adjustment (5/16-18 x 1-1/2")	1	1
7		See Chart	#7 Seat Frame, ASBA	1	1
8		1134542	Plate, Seat Frame	1	1
9		1116413	Pivot, Seat	1	1

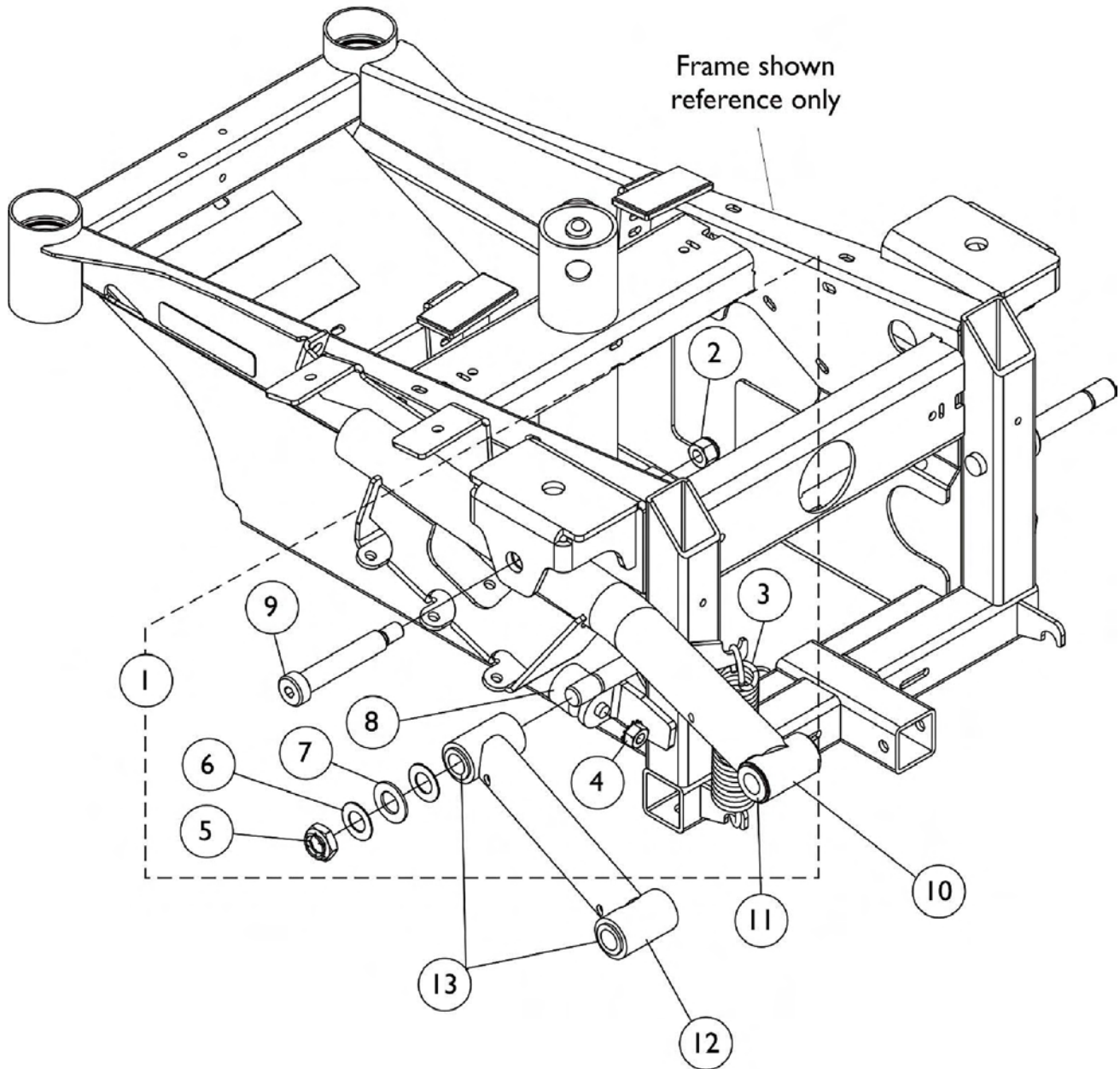
NOTE: A - Includes items 2-6

### #7 Seat Frame, ASBA

Chair Depth	16" Wide	17" Wide	18" Wide	19" Wide	20" Wide
16-17" Deep	1132433	1132434	1132435	1132436	1132437
18-19" Deep	1132442	1132443	1132444	1132445	1132446
20" Deep	1132451	1132452	1132453	1132454	1132455



# Walking Beams and Hardware - SureStep

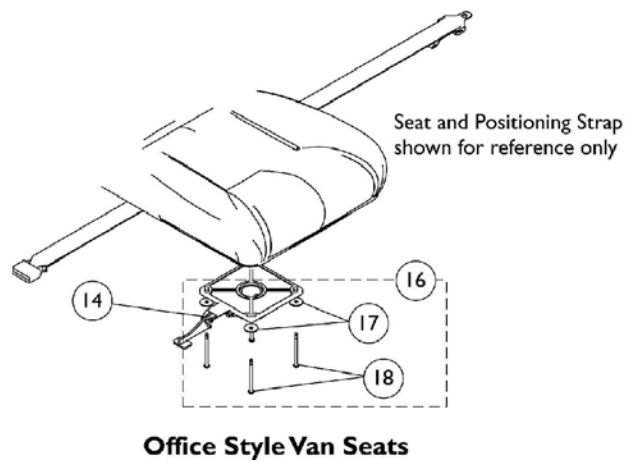
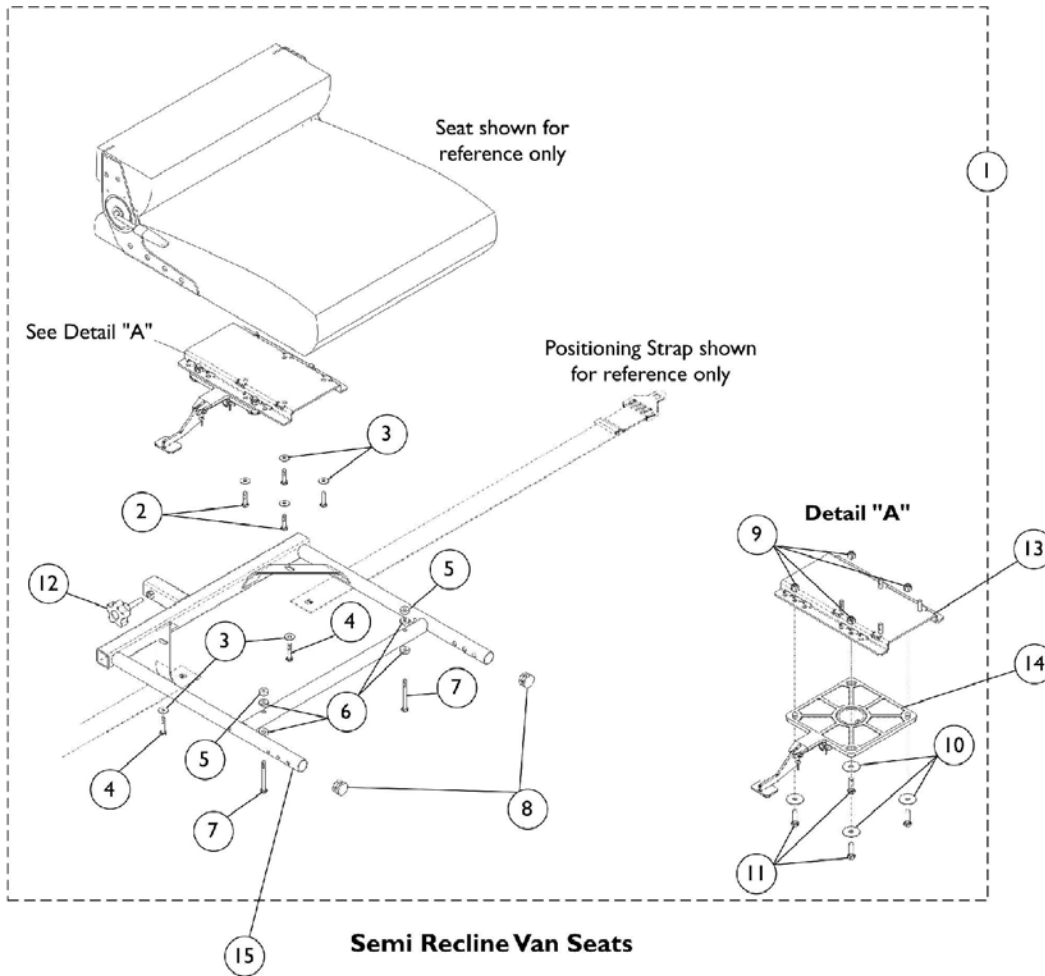


## Walking Beams and Hardware - SureStep

Item Number	Note	Part Number	Description	Quantity Per	
				Package	Assembly
1	A	1127398	Kit, SureStep Walking Beam Hardware	1	1
2			Locknut, High Profile (3/8-16)	1	1
3			Spring, Extension (1" I.D. x 4-1/2" Long)	1	1
4			Nut, Keps (5/16-18)	1	1
5			Locknut (1/2-20)	1	1
6			Washer (1/2 x 29/32 x 1/32")	1	2
7			Washer (9/16 x 1 x 5/8")	1	1
8			Bumper, Rubber	1	1
9			Screw, Socket Head Shoulder (1/2 x 2-1/2")	1	1
10	B	1127368	Walking Beam, SureStep - Right	1	1
10	B	1127369	Walking Beam, SureStep - Left	1	1
11		1127344	Bearing, Flange (1/2 x 7/8")	1	4
12	C	1109018	Tube, Pivot	1	1
13		1106485	Bushing (1/2 x 5/8")	1	4
NOTE: A - Includes items 2-9 B - Includes item 11 C - Includes item 13					

# Van Seat Frame and Mounting Hardware M50/M51

If converting a chair from Office Style Van Seat to Semi-Recline Van Seat items 1, 13, and 15 must be ordered in addition to the seat.



# Van Seat Frame and Mounting Hardware

## M50/M51

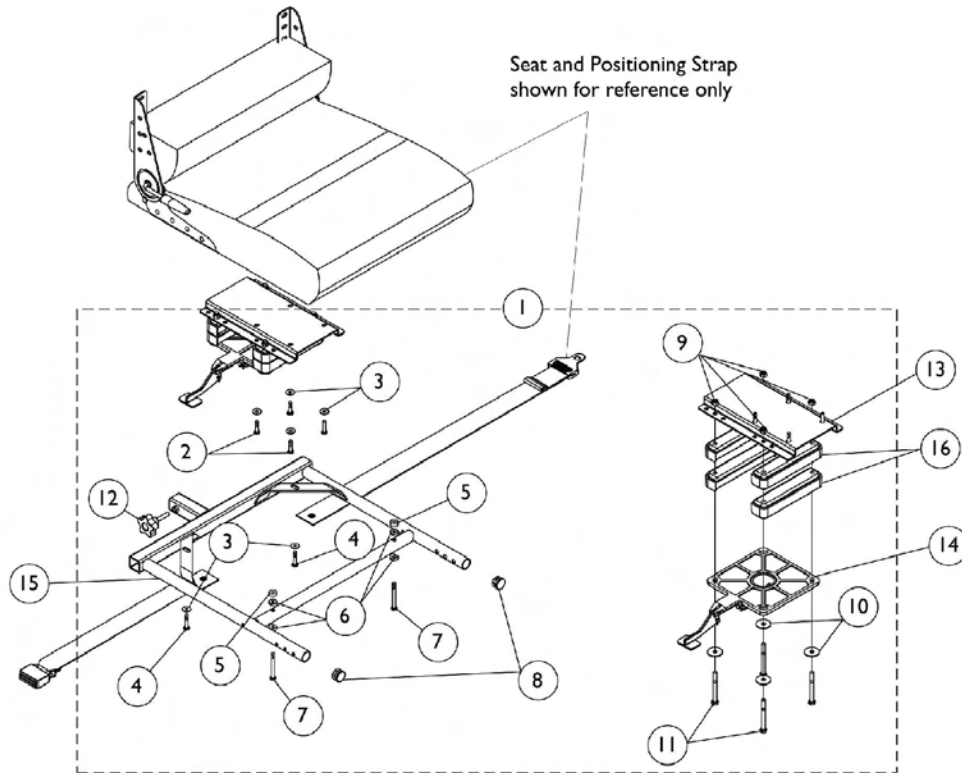
**If converting a chair from Office Style Van Seat to Semi-Recline Van Seat items 1, 13, and 15 must be ordered in addition to the seat.**

Item Number	Note	Part Number	Description	Quantity Per	
				Package	Assembly
1	A,B	1119577	Kit, Van Seat Mounting Hardware	1	1
2			Screw, Hex Head Cap with Patch (1/4-20 x 1")	1	4
3			Washer (1/4 x 23/32 x 1/16")	1	6
4			Screw, Hex Head (1/4-20 x 1-1/4")	1	2
5			Spacer (1/4 x 5/8 x 1/4")	1	2
6			Spacer, Coved (1/4 x 11/16 x 1/2")	1	4
7			Screw, Hex Head w/Patch (1/4-20 x 2-1/2")	1	2
8			Plug Button, Black (1")	1	2
9			Locknut (5/16-18)	1	4
10			Washer, Steel (5/16 x 1-1/4 x 1/16")	1	4
11			Screw, Hex Head Cap w/ Patch (5/16-18 x 1")	1	4
12			Knob, Adjustment (5/16-18 x 1-1/2")	1	1
10	C	1092409	Washer, Steel (5/16 x 1-1/4 x 1/16")	1	4
11		1104258	Screw, Hex Head Cap w/ Patch (5/16-18 x 1")	1	4
13		1116919	Bracket, Seat Mounting	1	1
13	D	1129722	Bracket, Seat Mounting	1	1
14		1116413	Pivot, Seat	1	1
15	E	1123391	Frame, Van Seat - 16" Wide	1	1
15		1116392	Frame, Van Seat - 18" Wide	1	1
15		1116393	Frame, Van Seat - 20" Wide	1	1
16	E	1136494	Kit, Van Seat Mounting Hardware - Office Style	1	1
17			Washer, Steel (5/16 x 1-1/4 x 1/16")	1	4
18			Screw, Hex Head Cap with Patch (1/4-20 x 1-1/2")	1	4

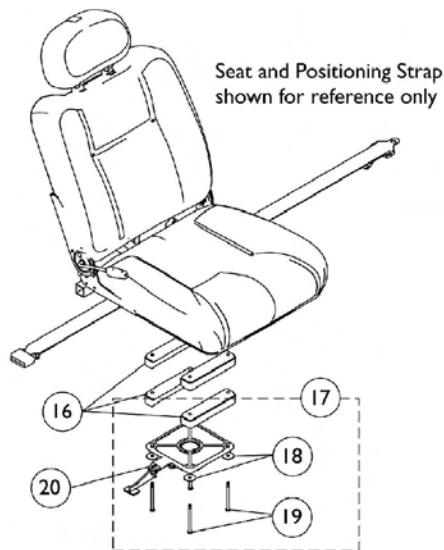
**NOTE:** A - Item 8, Plug Buttons, are only used in the absence of front riggings.  
 B - Includes items 2-12  
 C - Van Seats without Solid Seat Base  
 D - Van Seats with Solid Seat Base  
 E - Includes items 17-18

# Van Seat Frame, Mounting Hardware, and Seat Spacer Retro-fit Kit M61

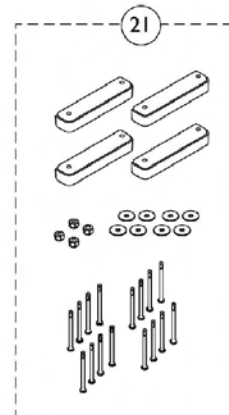
As of 7/29/05 Seat Spacers are included on all M61 model chairs.



**All Van Seats Except Office Style**



**Office Style Van Seats**



**Van Seat  
Spacer Retro-Fit Kit**

# Van Seat Frame, Mounting Hardware, and Seat Spacer Retro-fit Kit M61

As of 7/29/05 Seat Spacers are included on all M61 model chairs.

Item Number	Note	Part Number	Description	Quantity Per	
				Package	Assembly
1	B,H,A	1136487	Kit, Van Seat Mounting Hardware	1	1
2			Screw, Hex Head Cap with Patch (1/4-20 x 1")	1	4
3			Washer (1/4 x 23/32 x 1/16")	1	6
4			Screw, Hex Head (1/4-20 x 1-1/4")	1	2
5			Spacer (1/4 x 5/8 x 1/4")	1	2
6			Spacer, Coved (1/4 x 11/16 x 1/2")	1	4
7			Screw, Hex Head w/Patch (1/4-20 x 2-1/2")	1	2
8			Plug Button, Black (1")	1	2
9			Locknut (5/16-18)	1	4
10			Washer, Steel (5/16 x 1-1/4 x 1/16")	1	4
11			Screw, Hex Head (5/16-18 x 3")	1	4
12			Knob, Adjustment (5/16-18 x 1-1/2")	1	1
1	B,I,A	1137262	Kit, Van Seat Mounting Hardware	1	1
2			Screw, Hex Head Cap with Patch (1/4-20 x 1")	1	4
3			Washer (1/4 x 23/32 x 1/16")	1	6
4			Screw, Hex Head (1/4-20 x 1-1/4")	1	2
5			Spacer (1/4 x 5/8 x 1/4")	1	2
6			Spacer, Coved (1/4 x 11/16 x 1/2")	1	4
7			Screw, Hex Head w/Patch (1/4-20 x 2-1/2")	1	2
8			Plug Button, Black (1")	1	2
9			Locknut (5/16-18)	1	4
10			Washer, Steel (5/16 x 1-1/4 x 1/16")	1	4
11			Screw, Hex Head (5/16-18 x 2")	1	4
12			Knob, Adjustment (5/16-18 x 1-1/2")	1	1
1	B,J,A	1119577	Kit, Van Seat Mounting Hardware	1	1
2			Screw, Hex Head Cap with Patch (1/4-20 x 1")	1	4
3			Washer (1/4 x 23/32 x 1/16")	1	6
4			Screw, Hex Head (1/4-20 x 1-1/4")	1	2
5			Spacer (1/4 x 5/8 x 1/4")	1	2
6			Spacer, Coved (1/4 x 11/16 x 1/2")	1	4
7			Screw, Hex Head w/Patch (1/4-20 x 2-1/2")	1	2
8			Plug Button, Black (1")	1	2
9			Locknut (5/16-18)	1	4
10			Washer, Steel (5/16 x 1-1/4 x 1/16")	1	4
11			Screw, Hex Head Cap w/ Patch (5/16-18 x 1")	1	4
12			Knob, Adjustment (5/16-18 x 1-1/2")	1	1
13	C	1116919	Bracket, Seat Mounting	1	1
13	D	1129722	Bracket, Seat Mounting	1	1
14		1116413	Pivot, Seat	1	1
15		1123391	Frame, Van Seat - 16" Wide	1	1
15		1116392	Frame, Van Seat - 18" Wide	1	1

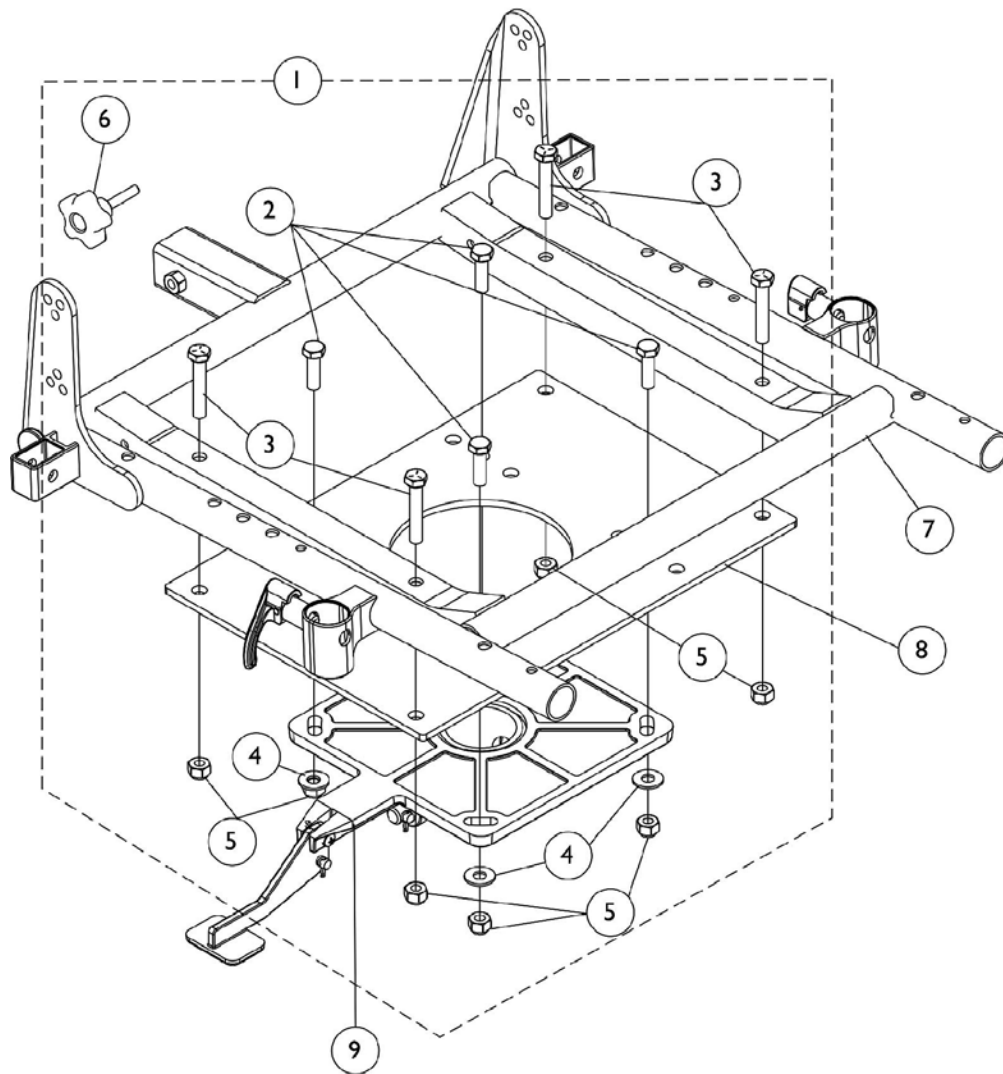
# Van Seat Frame, Mounting Hardware, and Seat Spacer Retro-fit Kit M61

As of 7/29/05 Seat Spacers are included on all M61 model chairs.

Item Number	Note	Part Number	Description	Quantity Per	
				Package	Assembly
15		1116393	Frame, Van Seat - 20" Wide	1	1
16		1134660	Spacer, Seat	1	4
17	E,H	1136486	Kit, Van Seat Mounting Hardware - Office Style	1	1
18			Washer, Steel (5/16 x 1-1/4 x 1/16")	1	4
19			Screw, Hex Head (1/4-20 x 3-1/2")	1	4
17	E,I	1136493	Kit, Van Seat Mounting Hardware - Office Style	1	1
18			Washer, Steel (5/16 x 1-1/4 x 1/16")	1	4
19			Screw, Hex Head w/Patch (1/4-20 x 2-1/2")	1	4
17	E,J	1136494	Kit, Van Seat Mounting Hardware - Office Style	1	1
18			Washer, Steel (5/16 x 1-1/4 x 1/16")	1	4
19			Screw, Hex Head Cap with Patch (1/4-20 x 1-1/2")	1	4
20		1116413	Pivot, Seat	1	1
21		1136490	Kit, Seat Spacer Retro-fit Kit	1	1
21			Spacer, Seat	1	4
21			Screw, Hex Head (1/4-20 x 3-1/2")	1	4
21			Screw, Hex Head w/Patch (1/4-20 x 2-1/2")	1	4
21			Washer, Steel (5/16 x 1-1/4 x 1/16")	1	8
21			Screw, Hex Head (5/16-18 x 3")	1	4
21			Screw, Hex Head (5/16-18 x 2")	1	4
21			Locknut (5/16-18)	1	4
21			Instruction Sheet, Seat Spacer Retro-fit Kit	1	1
	K	1134801	Instruction Sheet, Seat Spacer Retro-fit Kit	1	1

NOTE: A - Item 8, Plug Buttons, are only used in the absence of front riggings.  
 B - Includes items 2-12  
 C - Van Seats without Solid Seat Base  
 D - Van Seats with Solid Seat Base  
 E - Includes items 18 and 19  
 H - This kit is used on chairs that have 2 sets of seat spacers (item 16).  
 I - This kit is used on chairs that have 1 set of seat spacers (item 16).  
 J - This kit is used on chairs that do not have any seat spacers.  
 K - Not Shown

# ASBA Seat Frame and Mounting Hardware M50/M51





## ASBA Seat Frame and Mounting Hardware M50/M51

Item Number	Note	Part Number	Description	Quantity Per	
				Package	Assembly
1	A	1134543	Kit, Seat Frame Adapter Hardware	1	1
2			Screw, Hex Head Cap (5/16-18 x 1")	1	4
3			Screw, Hex Head (5/16-18 x 1-3/4")	1	4
4			Washer (5/16 x 3/4 x 1/16")	1	4
5			Locknut (5/16-18)	1	8
6			Knob, Adjustment (5/16-18 x 1-1/2")	1	1
7		See Chart	#7 Seat Frame, ASBA	1	1
8		1134542	Plate, Seat Frame	1	1
9		1116413	Pivot, Seat	1	1

NOTE: A - Includes items 2-6

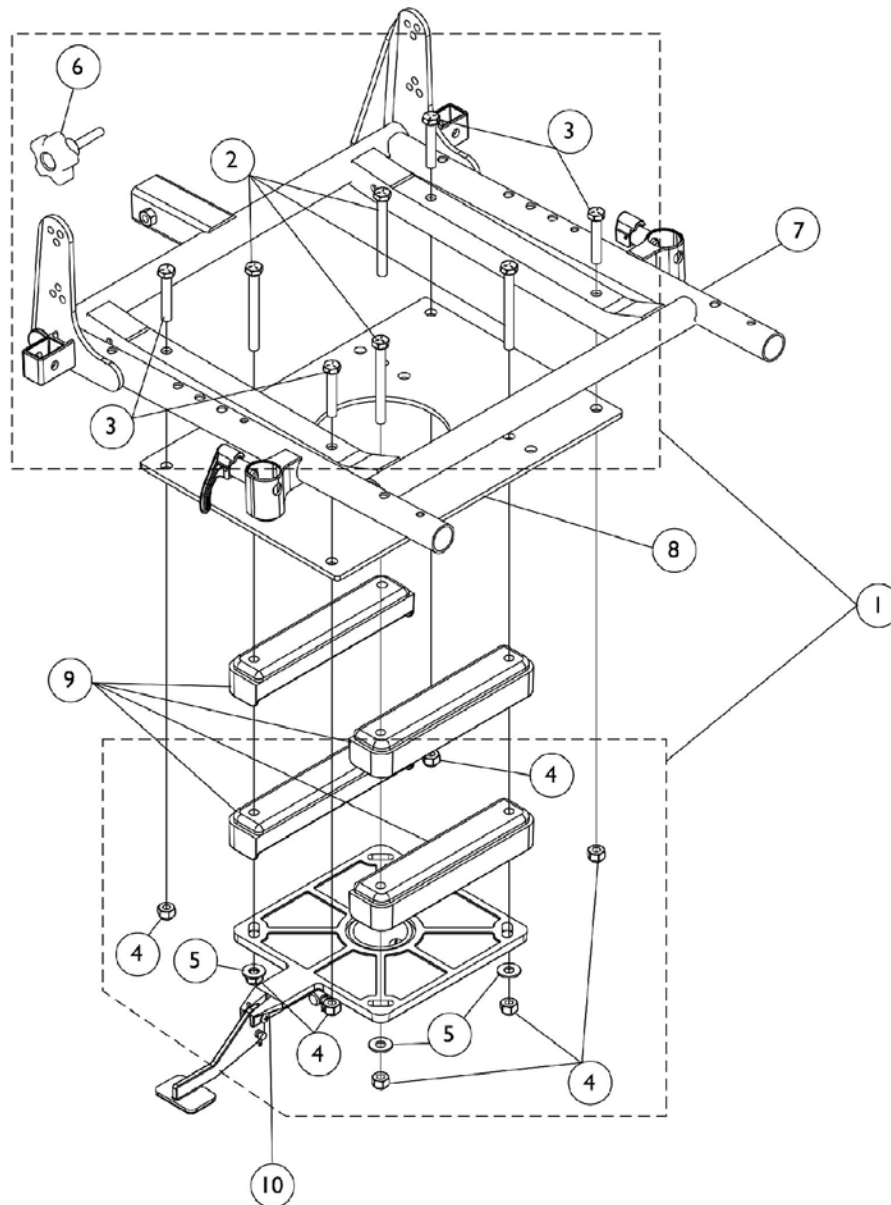
### #7 Seat Frame, ASBA

Chair Depth	16" Wide	17" Wide	18" Wide	19" Wide	20" Wide
16-17" Deep	1132433	1132434	1132435	1132436	1132437
18-19" Deep	1132442	1132443	1132444	1132445	1132446
20" Deep	1132451	1132452	1132453	1132454	1132455

# ASBA Seat Frame and Mounting Hardware M61

As of 7/29/05 Seat Spacers are included on all M61 model chairs.

**Note:** When ordering a complete ASBA seat for the M61, the M50SEAT can be used from the configurator.  
However, seat hardware (item 1) must still be ordered separately depending upon the quantity of seat spacers being used.



# ASBA Seat Frame and Mounting Hardware M61

As of 7/29/05 Seat Spacers are included on all M61 model chairs.

**Note:** When ordering a complete ASBA seat for the M61, the M50SEAT can be used from the configurator. However, seat hardware (item 1) must still be ordered separately depending upon the quantity of seat spacers being used.

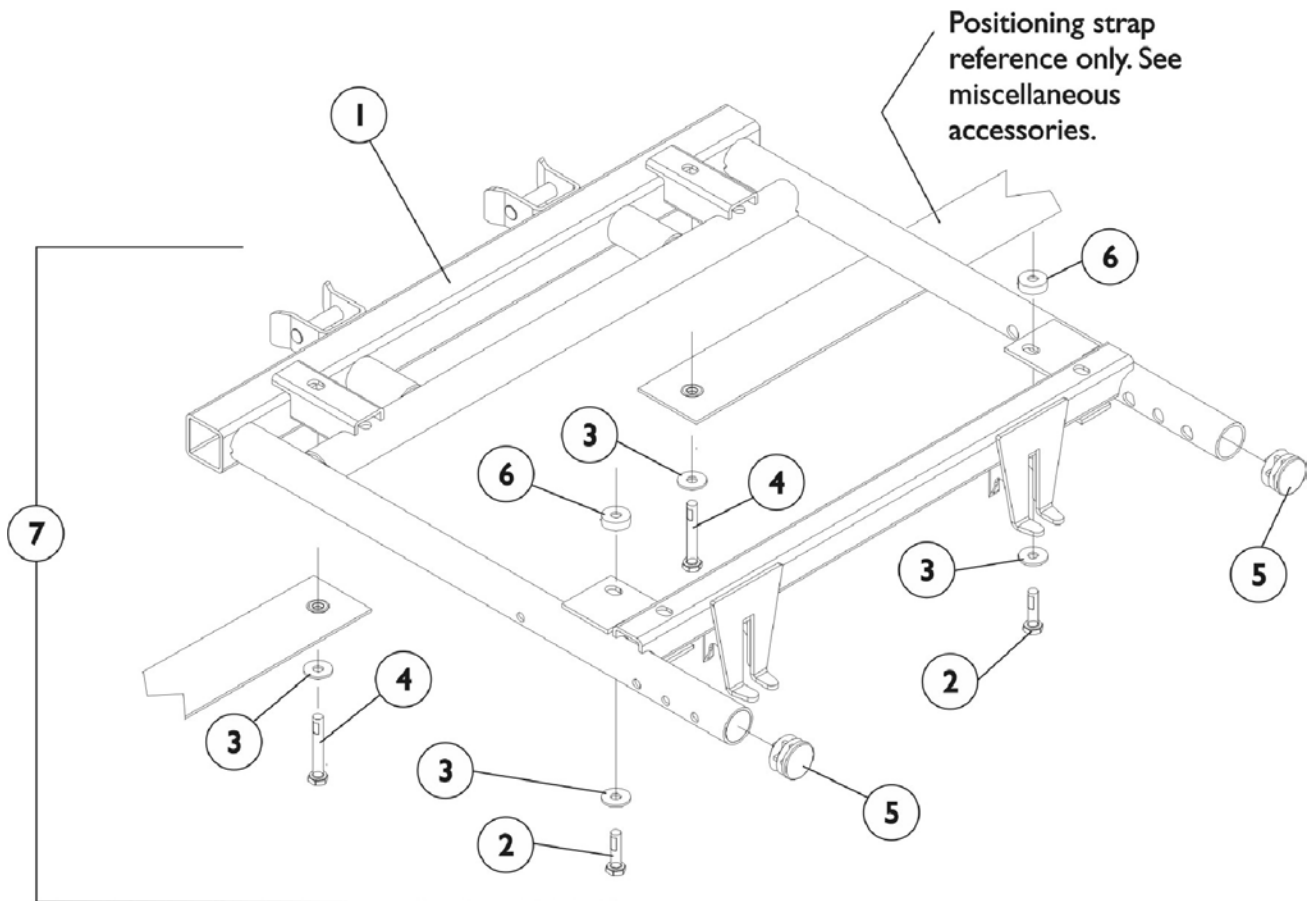
Item Number	Note	Part Number	Description	Quantity Per	
				Package	Assembly
1	A,B	1136485	Kit, Seat Frame Hardware	1	1
2			Screw, Hex Head (5/16-18 x 3")	1	4
3			Screw, Hex Head (5/16-18 x 1-3/4")	1	4
4			Locknut (5/16-18)	1	8
5			Washer (5/16 x 3/4 x 1/16")	1	4
6			Knob, Adjustment (5/16-18 x 1-1/2")	1	1
1	A,C	1136492	Kit, Seat Frame Hardware	1	1
2			Screw, Hex Head (5/16-18 x 2")	1	4
3			Screw, Hex Head (5/16-18 x 1-3/4")	1	4
4			Locknut (5/16-18)	1	8
5			Washer (5/16 x 3/4 x 1/16")	1	4
6			Knob, Adjustment (5/16-18 x 1-1/2")	1	1
1	A,D	1134543	Kit, Seat Frame Adapter Hardware	1	1
2			Screw, Hex Head Cap (5/16-18 x 1")	1	4
3			Screw, Hex Head (5/16-18 x 1-3/4")	1	4
4			Washer (5/16 x 3/4 x 1/16")	1	4
5			Locknut (5/16-18)	1	8
6			Knob, Adjustment (5/16-18 x 1-1/2")	1	1
7		See Chart	#7 Seat Frame, ASBA	1	1
8		1134542	Plate, Seat Frame	1	1
9		1134660	Spacer, Seat	1	4
10		1116413	Pivot, Seat	1	1

NOTE: A - Includes items 2-6  
 B - This kit is used on chairs that have 2 sets of seat spacers.  
 C - This kit is used on chairs that have 1 set of seat spacers.  
 D - This kit is used on chairs that do not have any seat spacers.

## #7 Seat Frame, ASBA

Chair Depth	16" Wide	17" Wide	18" Wide	19" Wide	20" Wide
16-17" Deep	1132433	1132434	1132435	1132436	1132437
18-19" Deep	1132442	1132443	1132444	1132445	1132446
20" Deep	1132451	1132452	1132453	1132454	1132455

# M51 Van Seat Frame and Actuator Hardware w/ Solid Base after 4/29/08



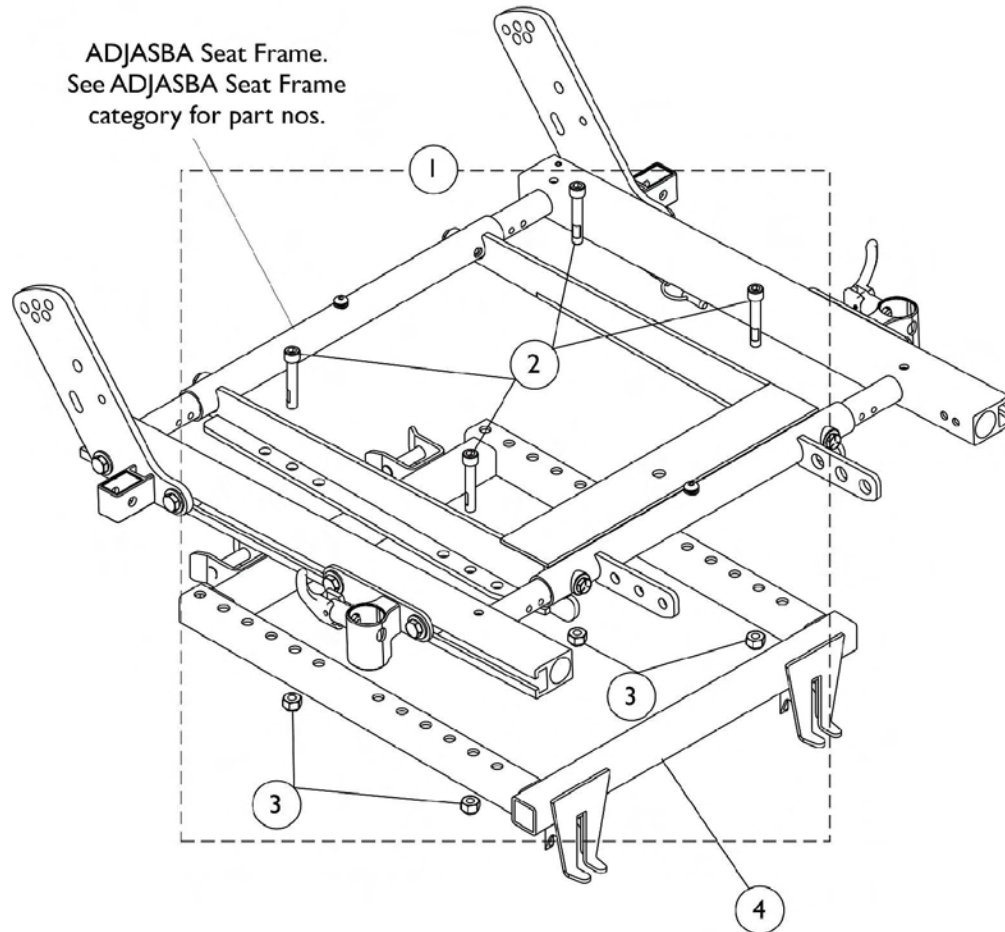
## M51 Van Seat Frame and Actuator Hardware w/ Solid Base after 4/29/08

Item Number	Note	Part Number	Description	Quantity Per	
				Package	Assembly
1		1123423	Frame, Van Seat -16" Wide	1	1
1		1115343	Frame, Van Seat -18" Wide	1	1
1		1115344	Frame, Van Seat -20" Wide	1	1
2		1088897	Screw, Hex Head (1/4-20 x 1-1/4")	1	2
3		1026900	Washer (1/4 x 23/32 x 1/16")	1	2
4		1052957	Screw, Hex Head (1/4-20 x 2")	1	2
5		1029501	Plug Button, Black (1")	1	2
6		1108410	Spacer (1/4 x 5/8 x 1/4")	1	2
7	A	1116421	Hardware, Van Seat Mounting	1	1

NOTE: A - Includes items 2-6

# Seat Adapter and Mounting Hardware

## M51 ADJASBA Seats (After 4/29/08)

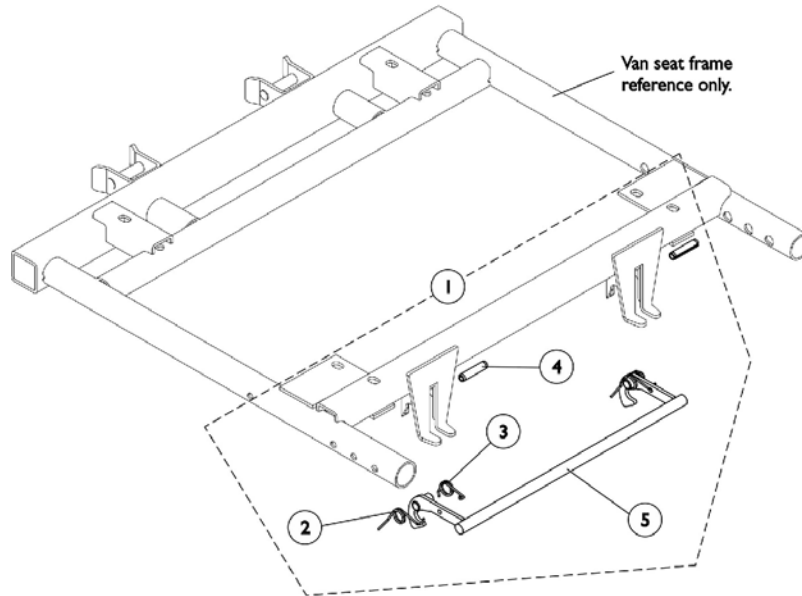


Item Number	Note	Part Number	Description	Quantity Per	
				Package	Assembly
1	A	1136009	Kit, Seat Adapter Mounting Hardware - ADJASBA	1	1
2			Screw, Socket Head Cap with Patch (5/16-18 x 1-3/4")	1	4
3			Locknut (5/16-18)	1	4
4		1106480	Adapter, Seat Frame	1	1

NOTE: A - Includes items 2 and 3

# Seat Release Hardware

(For Van Seat and AdjASBA Seat After 4/29/08)

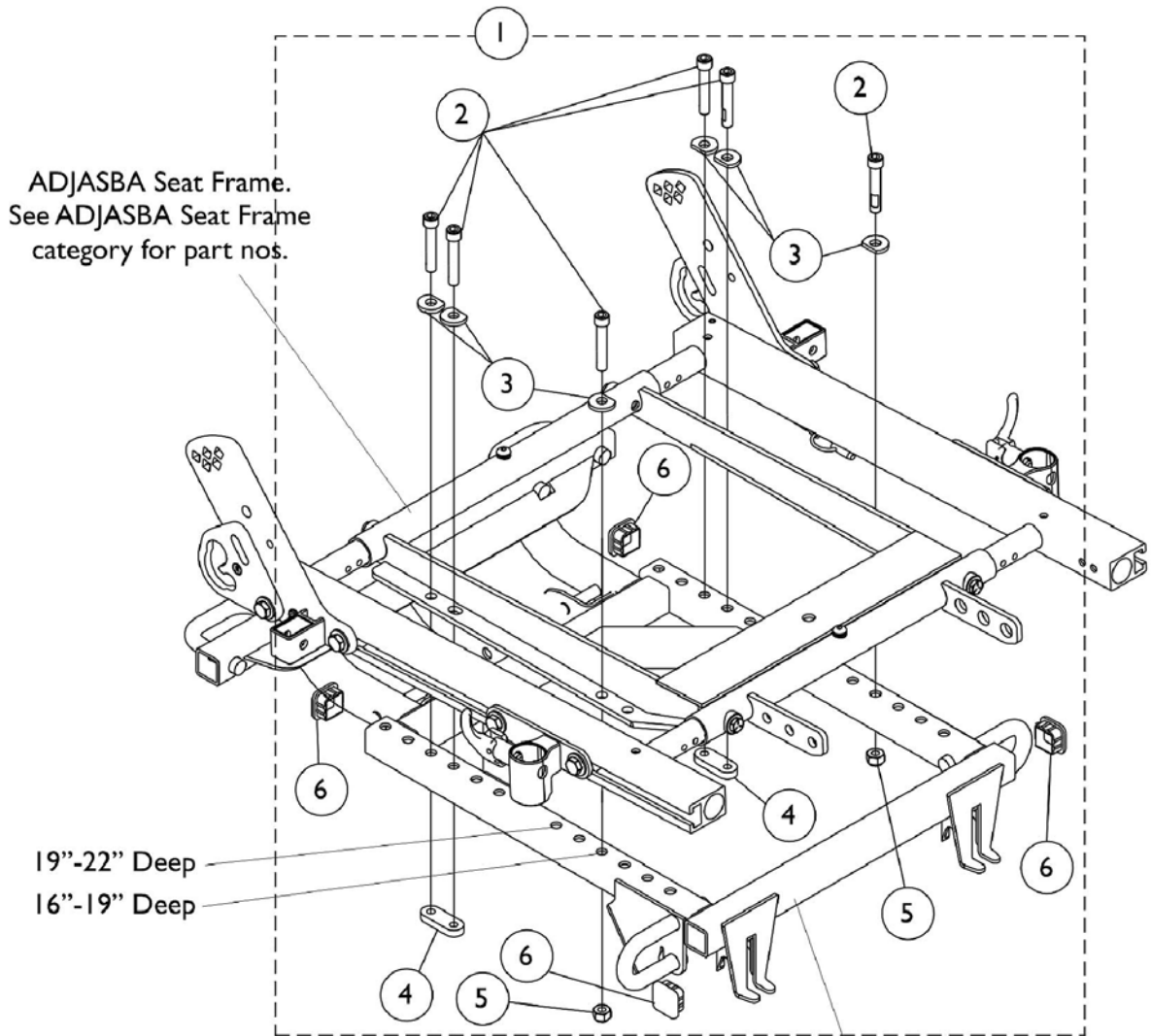


Item Number	Note	Part Number	Description	Quantity Per	
				Package	Assembly
1	A	1108068	Kit, Seat Release Hardware	1	1
2		1109219	Spring, Torsion, Right	1	1
3		1109220	Spring, Torsion, Left	1	1
4		1108239	Pin, Slotted (1/4 x 1-1/8")	1	2
5		1106476	Latch, Seat	1	1

NOTE: A - Includes items 2-5

# Seat Adapter and Mounting Hardware

## M51 ADJASBA Seats with TRRO/TRBKTS after 4/29/08



Seat Frame Adapter for  
TRRO option is not a serviceable part.  
Please call Technical Services for assistance  
(1-800-832-4707).



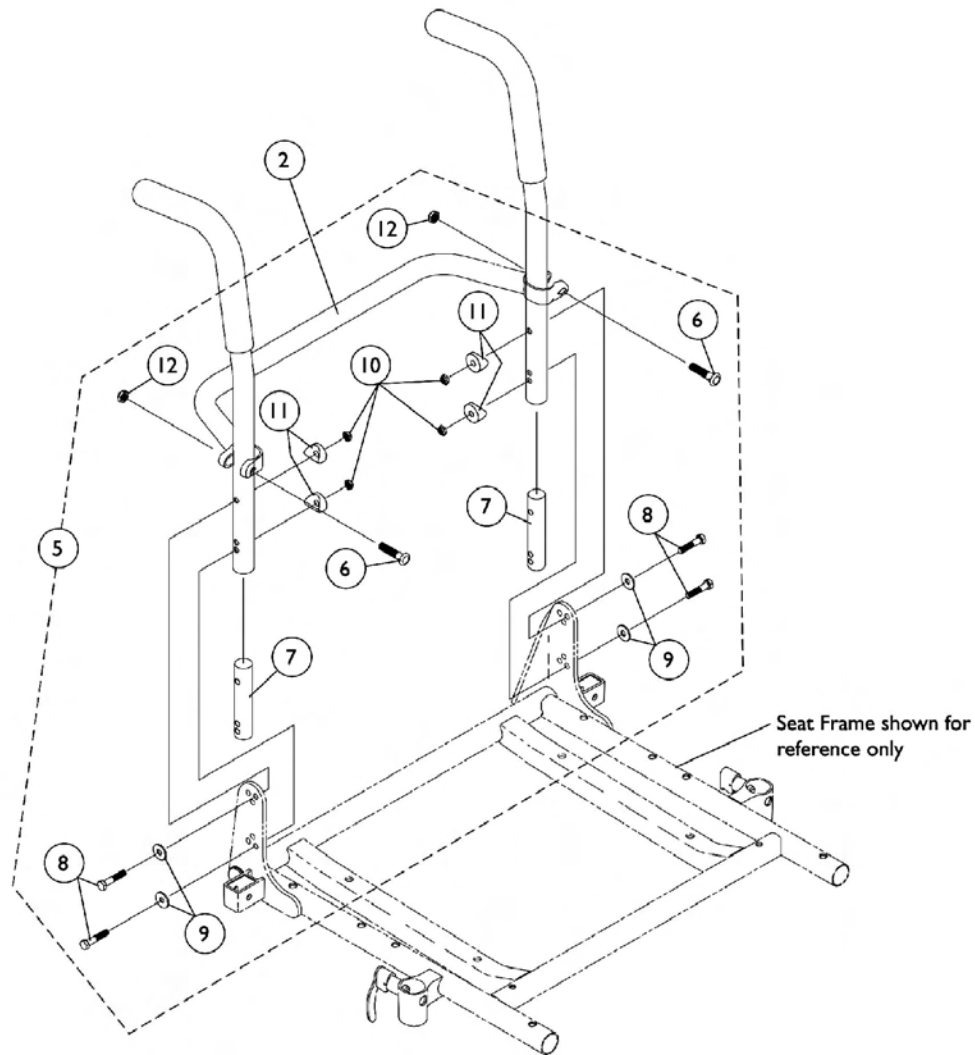
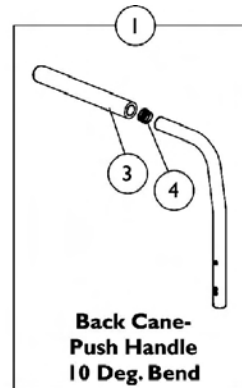
## Seat Adapter and Mounting Hardware

### M51 ADJASBA Seats with TRRO/TRBKTS after 4/29/08

Item Number	Note	Part Number	Description	Quantity Per	
				Package	Assembly
1		1139892	Kit, Seat Adapter Mounting Hardware - ADJASBA with TRRO/TRBKTS	1	1
2			Screw, Socket Head Cap with Patch (5/16-18 x 1-3/4")	1	6
3			Washer, Ground (11/32 x 13/16 x 1/8")	1	6
4			Nut, Strap	1	2
5			Locknut (5/16-18)	1	2
6			Cap, Tube (1" Square)	1	4

# Back Canes, Spreader Bars and Attaching Hardware

## M51 Center Post Attachment before 4/28/09 & all M61 models



## Back Canes, Spreader Bars and Attaching Hardware

### M51 Center Post Attachment before 4/28/09 & all M61 models

Item Number	Note	Part Number	Description	Quantity Per	
				Package	Assembly
1		See Chart	See Footnote	1	2
2		See Chart	See Footnote	1	1
3		1135506	Package, Foam Hand Grips (9" Long)	10	1
4		1130582	Package, Plug Buttons, Black (7/8")	10	1
5	A	1070457	Kit, Back Cane Attaching Hardware	2	1
6			Screw w/ Lug (5/16-24 x 1-3/8")	1	2
7			Insert, Non-Threaded Back Cane (For Back Heights 20" and Lower)	1	2
8			Screw, Hex Head (1/4-20 x 1-5/8")	1	4
9			Washer (1/4 x 23/32 x 1/16")	1	4
10			Locknut (1/4-20)	1	4
11			Spacer, Coved (1/4 x 11/16 x 1/2")	1	4
12			Locknut (5/16-24)	1	2

NOTE: A - Includes Items 6-12

### #1 10° Back Cane with Grip

#### 16-20" Back Height

16" High	17" High	18" High	19" High	20" High
1045575	1045576	1045577	1045578	1045579

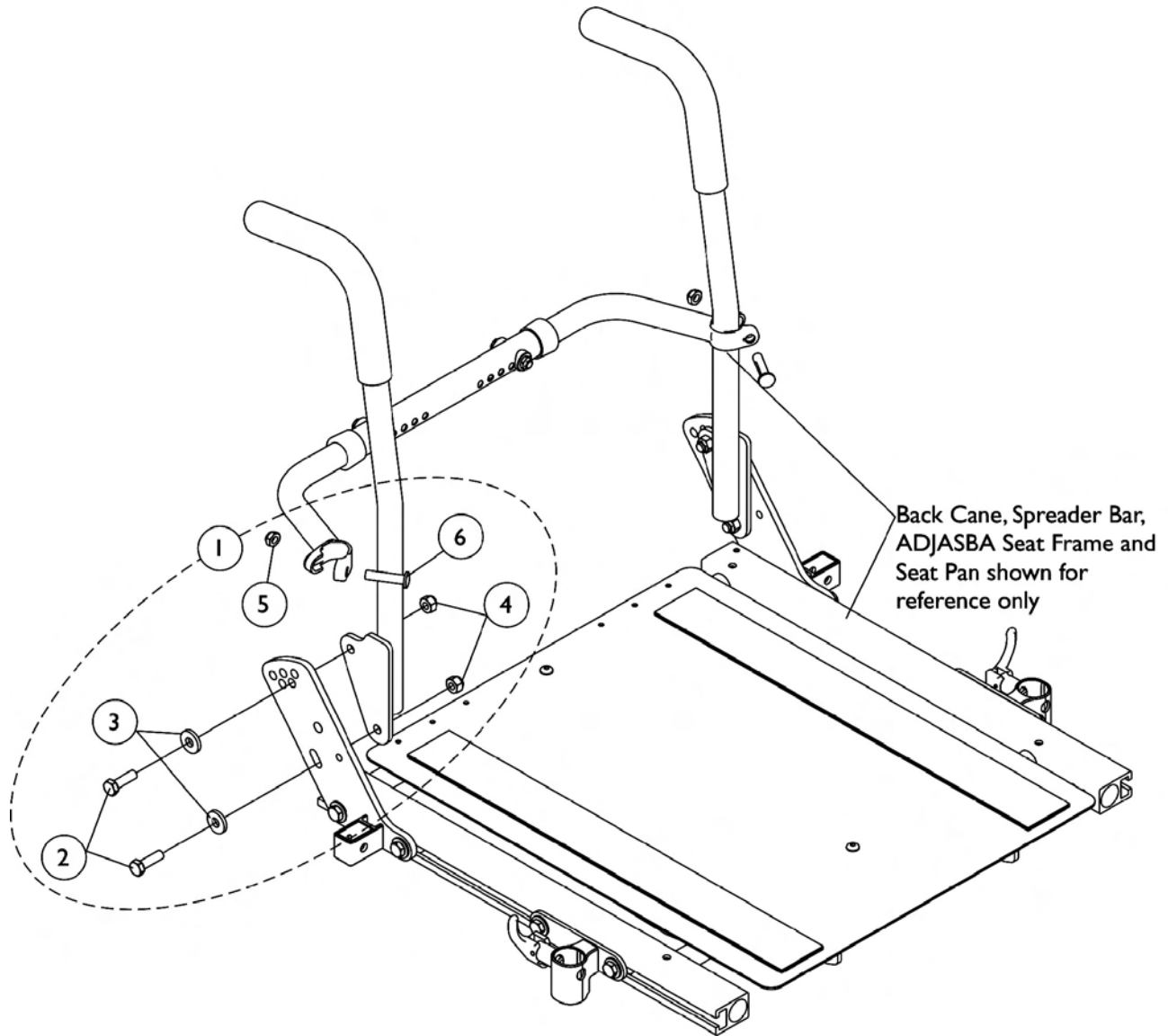
### #2 Spreader Bar

#### 16-20" Wide

16" Wide	17" Wide	18" Wide	19" Wide	20" Wide
1043873	1043874	1043875	1043876	1043877

# Back Cane Attaching Hardware

For M51 ADJASBA Seat (After 04/29/08)

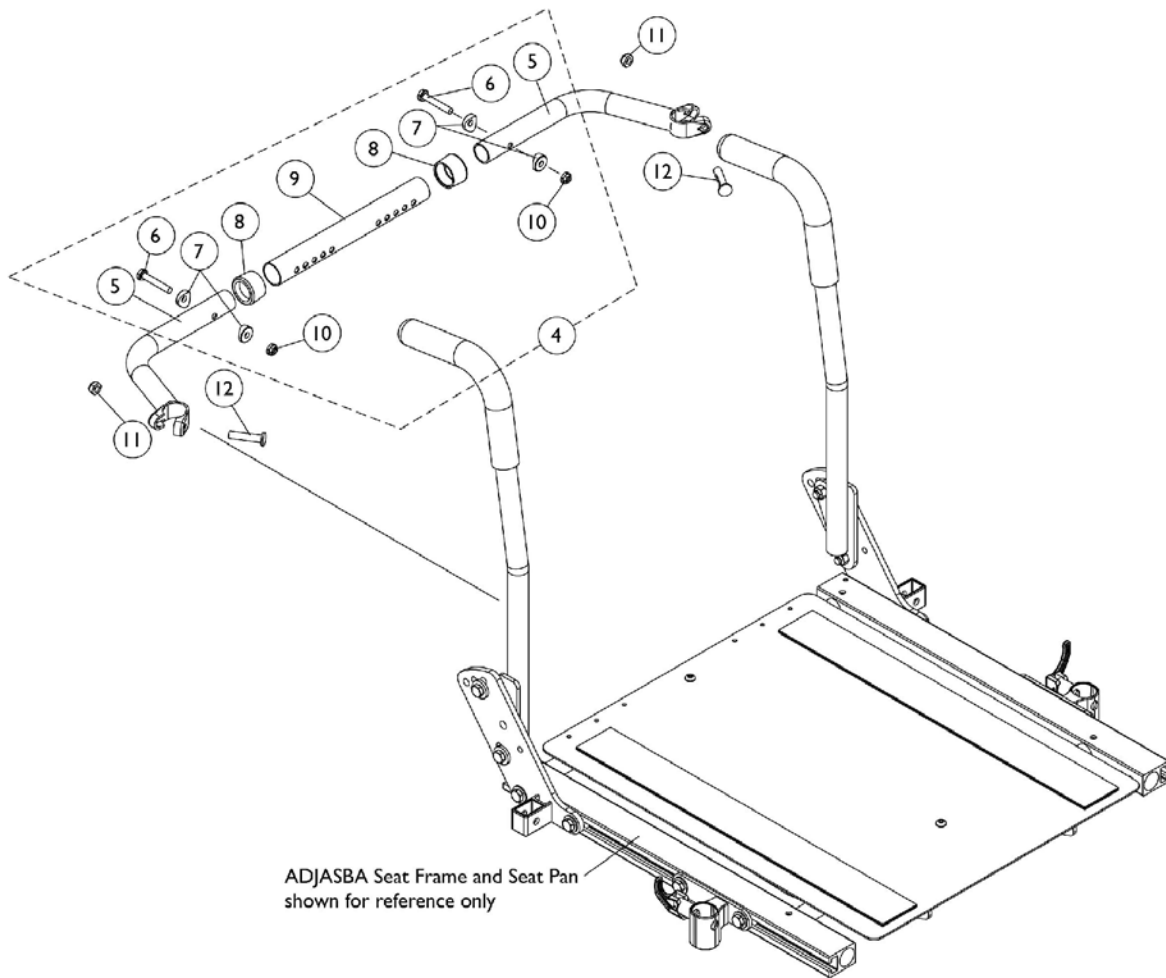
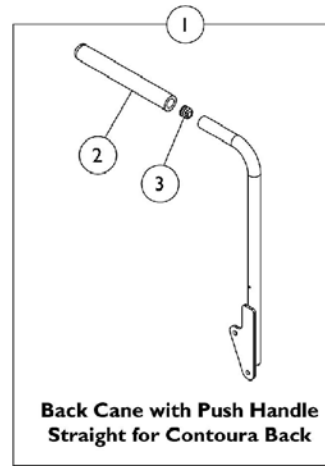
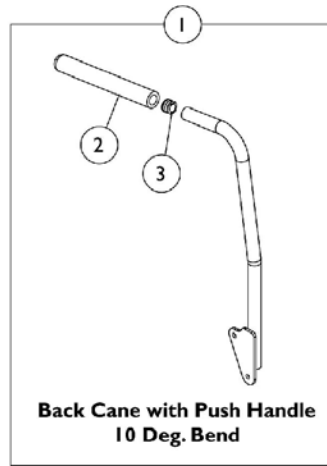


## Back Cane Attaching Hardware For M51 ADJASBA Seat (After 04/29/08)

Item Number	Note	Part Number	Description	Quantity Per	
				Package	Assembly
1	A	1133755	Kit, Back Cane Mounting Hardware (Pair)	2	1
2			Screw, Hex Head Cap (5/16-18 x 1")	1	4
3			Washer, Flat (21/64 x 53/64 x 7/64")	1	4
4			Locknut (5/16-18)	1	4
5			Locknut (5/16-24)	1	2
6			Screw w/ Lug (5/16-24 x 1-3/8")	1	2
NOTE: A - Includes items 2-6					

# Back Canes and Spreader Bars

## For M51 ADJASBA Seat after 4/29/08



## Back Canes and Spreader Bars For M51 ADJASBA Seat after 4/29/08

Item Number	Note	Part Number	Description	Quantity Per	
				Package	Assembly
1		See Chart	#1 Back Cane Assemblies	1	1
2		1135506	Package, Foam Hand Grips (9" Long)	10	1
3		1134426	Package, Plug Buttons, Black (3/4")	10	1
4	A	1125709	Kit, Spreader Bar Assembly (16"-20" Wide)	1	1
5			Handle, Spreader Bar	1	2
6			Screw, Hex Head (1/4-20 x 1-1/2")	1	2
7			Spacer, Coved (1/4 x 11/16 x 1/2")	1	4
8			Anti-Rattle (1")	1	2
9			Tube, Spreader Bar Adjustable (16"-20" Wide)	1	1
10			Locknut (1/4-20)	1	2
4	A	1125710	Kit, Spreader Bar Assembly 20"-24" Wide	1	1
5			Handle, Spreader Bar	1	2
6			Screw, Hex Head (1/4-20 x 1-1/2")	1	2
7			Spacer, Coved (1/4 x 11/16 x 1/2")	1	4
8			Anti-Rattle (1")	1	2
9			Tube, Spreader Bar Adjustable (20"-24" Wide)	1	1
10			Locknut (1/4-20)	1	2
11		1025730	Locknut (5/16-24)	1	2
12		1031026	Screw w/ Lug (5/16-24 x 1-3/8")	1	2

NOTE: A - Includes items 5-10

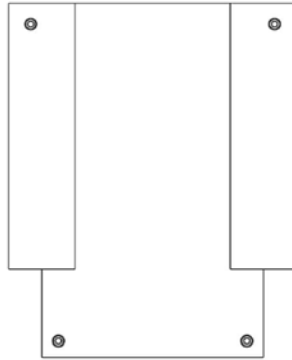
### #1 Back Cane Assemblies

**Back Cane Assemblies include Foam Grips and Plug Buttons where shown**

Back Height	Back Cane - Push Handle 10 Deg. Bend Right	Back Cane - Push Handle 10 Deg. Bend Left	Back Cane - Push Handle Straight for Contoura Right	Back Cane - Push Handle Straight for Contoura Left
16"	1133822	1133823	N/A	N/A
17"	1133824	1133825	N/A	N/A
18"	1133826	1133827	1143334 See Note(s) A	1143335 See Note(s) A
19"	1133828	1133829	N/A	N/A
20"	1133830	1133831	N/A	N/A

NOTE: A - Chairs with Contoura Backs require 18" high back canes only.

# ASBA/ADJASBA Back Upholstery, Nylon



Single Liners & Dual Liners  
-Nylon

## Single Liners

Back Width	16"-17" High	18"-19" High	20" High
16" Wide	8881045175	1045207	1068947
17" Wide	1045176	1045208	1068948
18" Wide	1045177	1045209	1068949

## Dual Liners

Back Width	16"-17" High	18"-19" High	20" High
16" Wide	1045180	1045212	1068952
17" Wide	1045181	1045213	1068953
18" Wide	1045182	1045214	1068954
19" Wide	1045183	1045215	1068955
20" Wide	1045184	1045216	1068956
21" Wide	1045185	1045217	1068957
22" Wide	1045186	1045218	1068958
23" Wide	1045187	1045219	1068959
24" Wide	1045188	1045220	1068960

Dual liner back upholstery is used with chairs that have a seat deeper than 17" or back wider than 18".



## ASBA/ADJASBA Back Upholstery, Nylon

### Back Upholstery Hardware

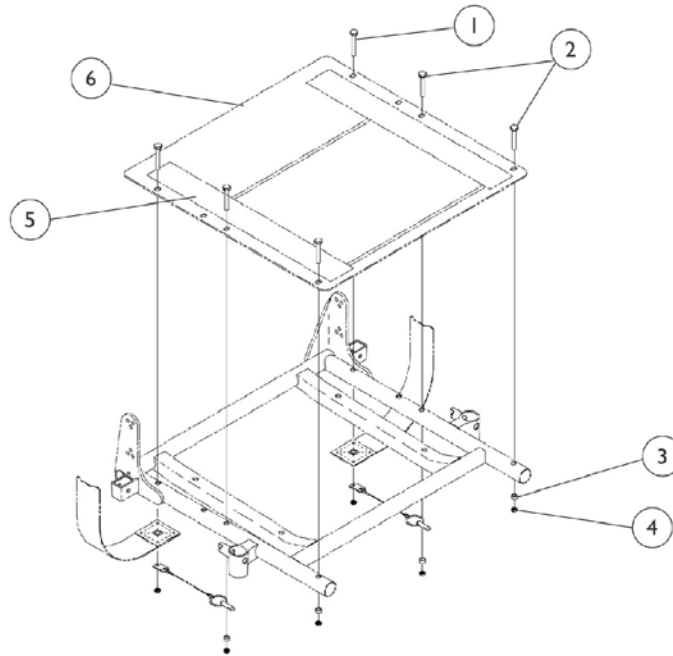
Item Number	Note	Part Number	Description	Quantity Per	
				Package	Assembly
	A	1026298	Screws with Washers (#10 x 7/8")	2	1
	A	98007X005	Cable Tie (11-1/2" Long)	1	2
	A	See Chart	Single Liners	1	1
	A	See Chart	Dual Liners	1	1

NOTE: A - Not Shown

# ASBA Seat Pan and Hardware

## Center Post Mounted M51 Before 4/28/08 & M61

**NOTE: Seat pan and front rigging hanger assembly share the same mounting hardware.**



Item Number	Note	Part Number	Description	Quantity Per	
				Package	Assembly
1	A,B	1070459	Kit, Seat Pan Mounting Hardware	1	1
2			Screw, Hex Head (1/4-20 x 1-5/8")	1	2
3			Screw, Hex Head (1/4-20 x 1-1/2")	1	4
4			Spacer (1/4 x 3/8 x 3/16")	1	4
5			Locknut (1/4-20)	1	6
5		1039949	Fastener, Hook Adhesive Back (2" x 16")	1	2
5		1044578	Fastener, Loop Adhesive Back (2" x 16")	1	2
6		See Chart	See Footnote	1	1

NOTE: A - Not Shown.  
B - Includes items 1-4

### #6 Seat Pans

Chair Depth	16" Wide	17" Wide	18" Wide	19" Wide	20" Wide
16" Deep	1066013	1066014	1066015	1066016	1066017
17" Deep	1066024	1066025	1066026	1066027	1066028
18" Deep	1066035	1066036	1066037	1066038	1066039
19" Deep	1066046	1066047	1066048	1066049	1066050
20" Deep	1066057	1066058	1066059	1066060	1066061

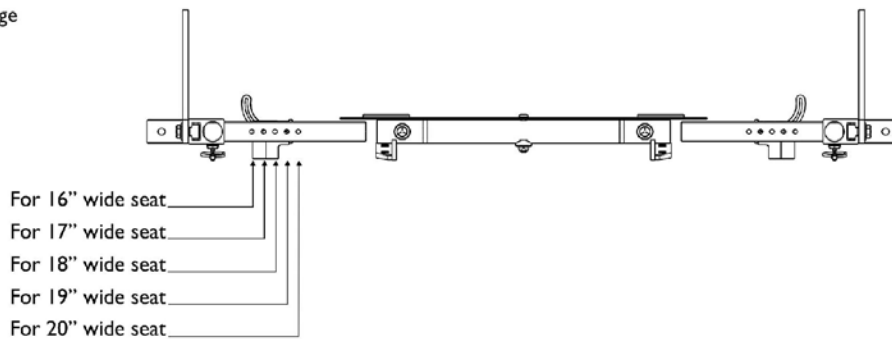
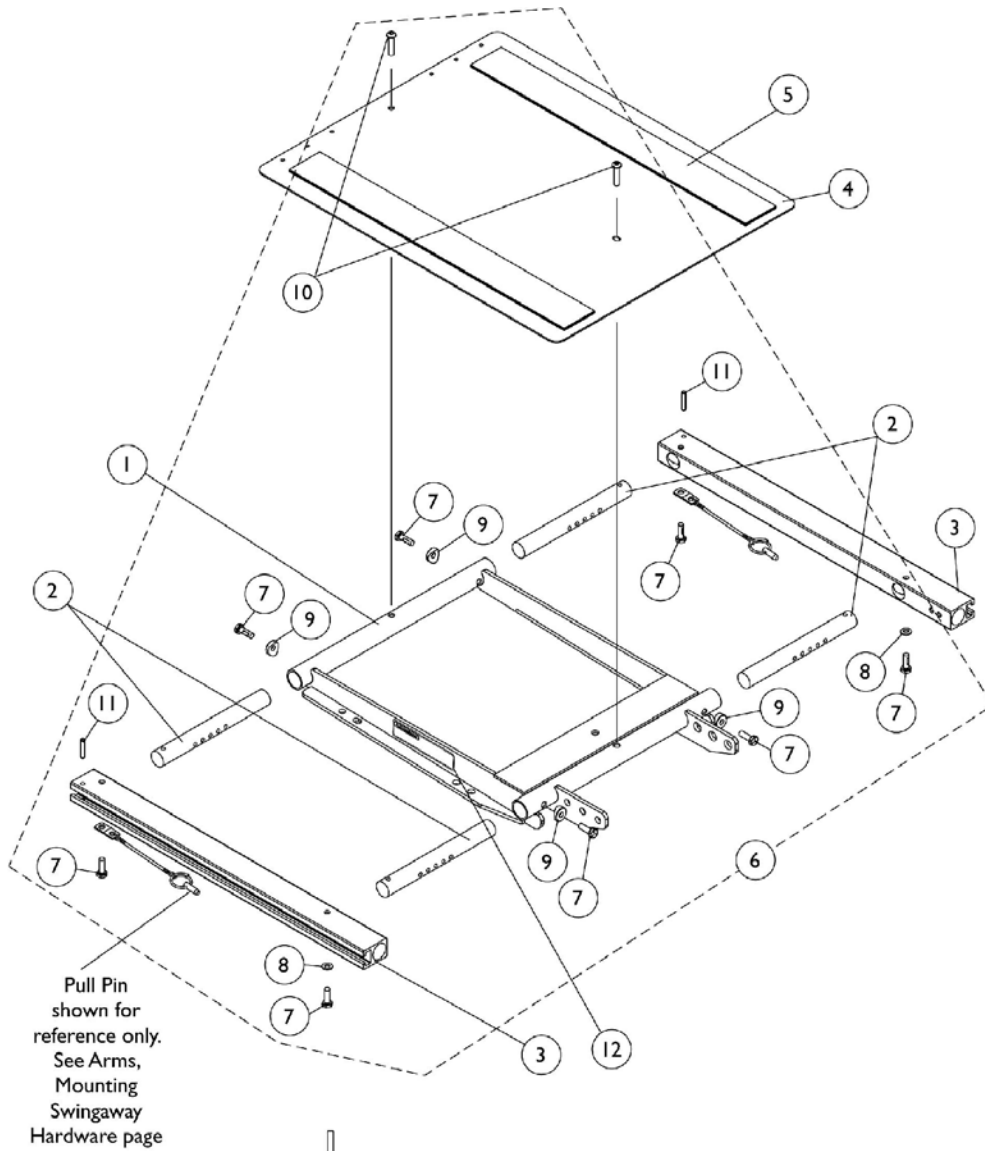
# **ASBA Seat Pan and Hardware**

## **Center Post Mounted M51 Before 4/28/08 & M61**

**NOTE: Seat pan and front rigging hanger assembly share the same mounting hardware.**

---

# ADJASBA Seat Frame, Seat Pan and Hardware (16"-20" Wide) x (16"-22" Deep) M51 After 04/29/08



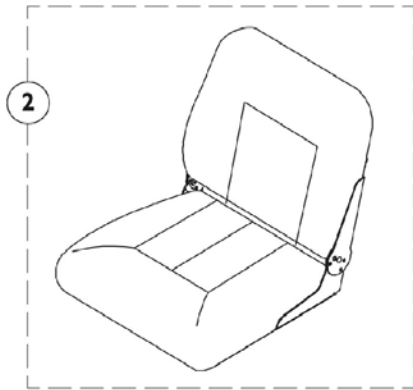
**Seat Frame Width Settings**

## ADJASBA Seat Frame, Seat Pan and Hardware (16"-20" Wide) x (16"-22" Deep) M51 After 04/29/08

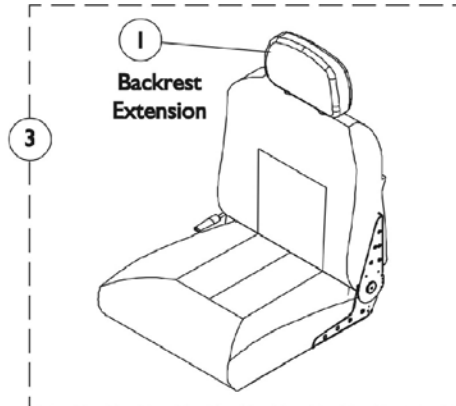
Item Number	Note	Part Number	Description	Quantity Per	
				Package	Assembly
1	D	1120288	Frame, Center Seat	1	1
2		1122475	Crossbar, Seat Frame (16"-20" Wide)	1	4
3		1122647	Rail, Seat Frame (16-20" Deep For Formula TRE & 16-19" Deep For ADJASBA)	1	2
3		1122677	Rail, Seat Frame (20-22" Deep For Formula TRE & 19-22" Deep For ADJASBA)	1	2
4		1124386	Seat Pan w/ Hook and Loop Fasteners 16-20" Wide x (16-20" Deep For Formula TRE & 16-19" Deep For ADJASBA)	1	1
4		1124666	Seat Pan w/ Hook and Loop Fasteners 16-20" Wide x (20-22" Deep For Formula TRE & 19-22" Deep For ADJASBA)	1	1
5	A	1043082	Hook Fastener, Adhesive (2" x 18")	1	2
5	A	1044580	Loop Fastener, Adhesive (2" x 18")	1	2
5	B	1043084	Hook Fastener, Adhesive (2" x 22")	1	2
5	B	1044584	Loop Fastener, Adhesive (2" x 22")	1	2
6	C	1135501	Kit, Seat Frame Assembly Hardware	1	1
7			Screw, Hex Head (1/4-20 x 3/4")	1	8
8			Washer (1/4 x 1/2 x 1/16")	1	2
9			Spacer, Coved (1/4 x 11/16 x 1/2")	1	4
10			Screw, Socket Head (1/4-20 x 3/4")	1	2
11			Pin, Roll (3/16 x 1")	1	2
12		1114823	Decal, Seat Adjustment Warning	1	2
NOTE: A - For 16"-19" deep seats B - For 19"-22" deep seats C - Includes items 7-11 D - When ordering Center Seat Frame (item 1), also order 2 ea. Seat Adjustment Warning Decal (item 12).					

# Van Seat Assembly

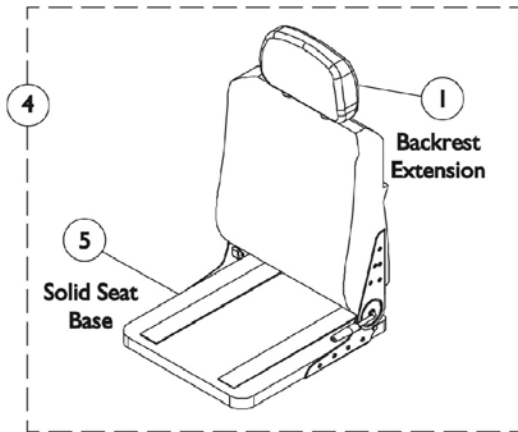
If converting a chair from Office Style Van Seat to Semi-Recline Van Seat please see Van Seat Frame category for additional parts info.



**Van Seat  
Fold-Down,  
Medium Back**

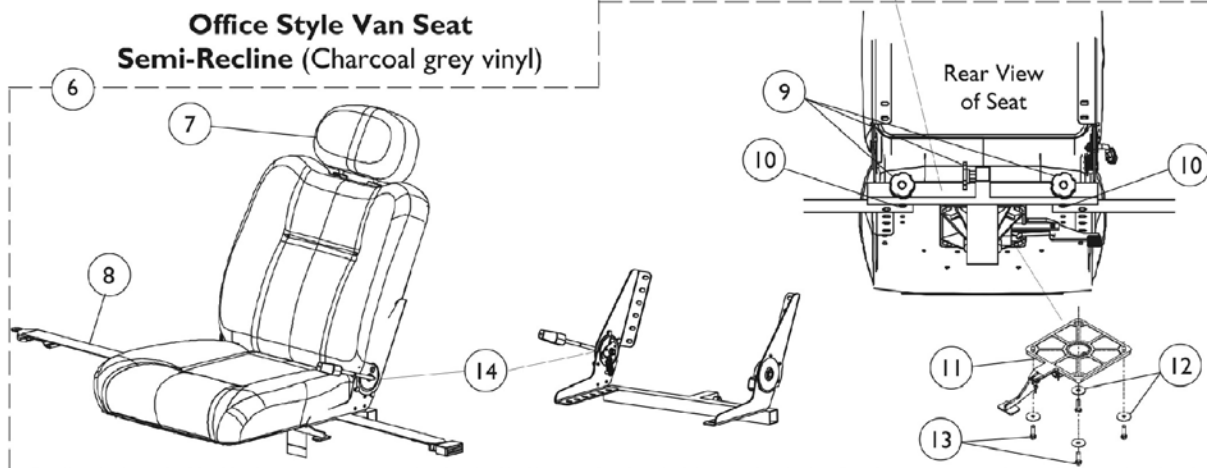


**Van Seat  
Semi-Recline**



**Van Seat  
Semi-Recline  
w/ Solid Seat Base**

Office Style Can Seat includes arm receiver tube. The arm receiver tube, however, is NOT available as a service part. Also, this seat **does not** come with the front rigging hanger bracket (see Front Rigging Hanger category).



**Office Style Van Seat  
Semi-Recline (Charcoal grey vinyl)**

Rear View  
of Seat

# Van Seat Assembly

If converting a chair from Office Style Van Seat to Semi-Recline Van Seat please see Van Seat Frame category for additional parts info.

Item Number	Note	Part Number	Description	Quantity Per	
				Package	Assembly
1		1106969	Backrest Extension, Van Seat - Grey Fabric	1	1
1		1108408	Backrest Extension, Van Seat - Grey Vinyl	1	1
1		1106968	Backrest Extension, Van Seat - Tan Vinyl	1	1
2		See Chart	#2 Fold Down Van Seat Assembly (18" Wide)	1	1
3		See Chart	#3 Van Seat Assembly (Semi-Recline)	1	1
4		See Chart	#4 Van Seat w/ Solid Seat Base Assembly (Semi-Recline)	1	1
5	A,D	1123384	Solid Seat Base, Van Seat - 16" Wide (Grey Vinyl)	1	1
5	A,D	1123385	Solid Seat Base, Van Seat - 18" Wide (Grey Vinyl)	1	1
5	A,D	1123386	Solid Seat Base, Van Seat - 20" Wide (Grey Vinyl)	1	1
6	B	See Chart	#6 Office Style Van Seat Assembly	1	1
7		1127314	Backrest Extension, Semi Recline Office Style Van Seat	1	1
8		1034625	Positioning Strap, Seat/Chest w/ Auto Style Push Button Buckle (Eyelet to Eyelet Length 61")	1	1
9		1127312	Package, Adjustment Knobs (5/16-18 x 3/4")	3	1
10	C	1127311	Package, Screws Socket Head Cap w/ Patch (1/4-20 x 3/4")	4	1
11		1116413	Pivot, Seat	1	1
12		1092409	Washer, Steel (5/16 x 1-1/4 x 1/16")	1	4
13		1118458	Screw, Hex Head w/Patch (1/4-20 x 1-3/8")	1	4
14		1144924	Bracket, Seat Frame 18"	1	1

NOTE: A - Solid Seat Base is the only item available for service parts with regard to these particular Van Seats. Seat Hinges are not sold separately.  
 B - Includes items 7-14. When replacing Office Style Seat, the front rigging hanger attachment kit may need to be ordered as well since it is not included (see Front Rigging Hanger category).  
 C - Package includes 4 screws, they are used to attach the Seat Positioning Strap (item 8)  
 D - Solid seat base is not available on Office Style Van Seats

# Van Seat Assembly

If converting a chair from Office Style Van Seat to Semi-Recline Van Seat please see Van Seat Frame category for additional parts info.

## #2 Fold Down Van Seat Assembly (18" Wide)

(Backrest Not Offered)

All Grey Fabric Upholstery	All Grey Vinyl Upholstery	All Tan Vinyl Upholstery
N/A	1108837	N/A

Fold down, medium back seat has four stop angle adjustment settings that include 95, 100, 105, & 110 degrees and adjustable seat depths of 16", 17", & 18".

## #3 Van Seat Assembly (Semi-Recline)

Upholstery Type	Van Seat with Backrest 16" Wide	Van Seat with Backrest 18" Wide	Van Seat with Backrest 20" Wide
All Grey Fabric	1123424	1109254	1109255
All Grey Vinyl	1123426	1109242	1109243
All Tan Vinyl	1123425	1109248	1109249

Semi-Recline Van Seat reclines approx. 90-114 degrees. Adjustable depths are (16", 17", & 18" deep for 16" & 18" wide seats) and (18", 19", & 20" deep for 20" wide seats). Recline release levers are standard on the right side. Left side release levers can be ordered as a special with a new van seat.

## #4 Van Seat w/ Solid Seat Base Assembly (Semi-Recline)

Upholstery Type	Van Seat with Backrest 16" Wide	Van Seat with Backrest 18" Wide	Van Seat with Backrest 20" Wide
All Grey Fabric	N/A	N/A	N/A
All Grey Vinyl	1123429	1123428	1123427
All Tan Vinyl	N/A	N/A	N/A

Semi-Recline Van Seat reclines approx. 90-114 degrees. Adjustable depths are (16", 17", & 18" deep for 16" & 18" wide seats) and (18", 19", & 20" deep for 20" wide seats). Recline release levers are standard on the right side. Left side release levers can be ordered as a special with a new van seat.

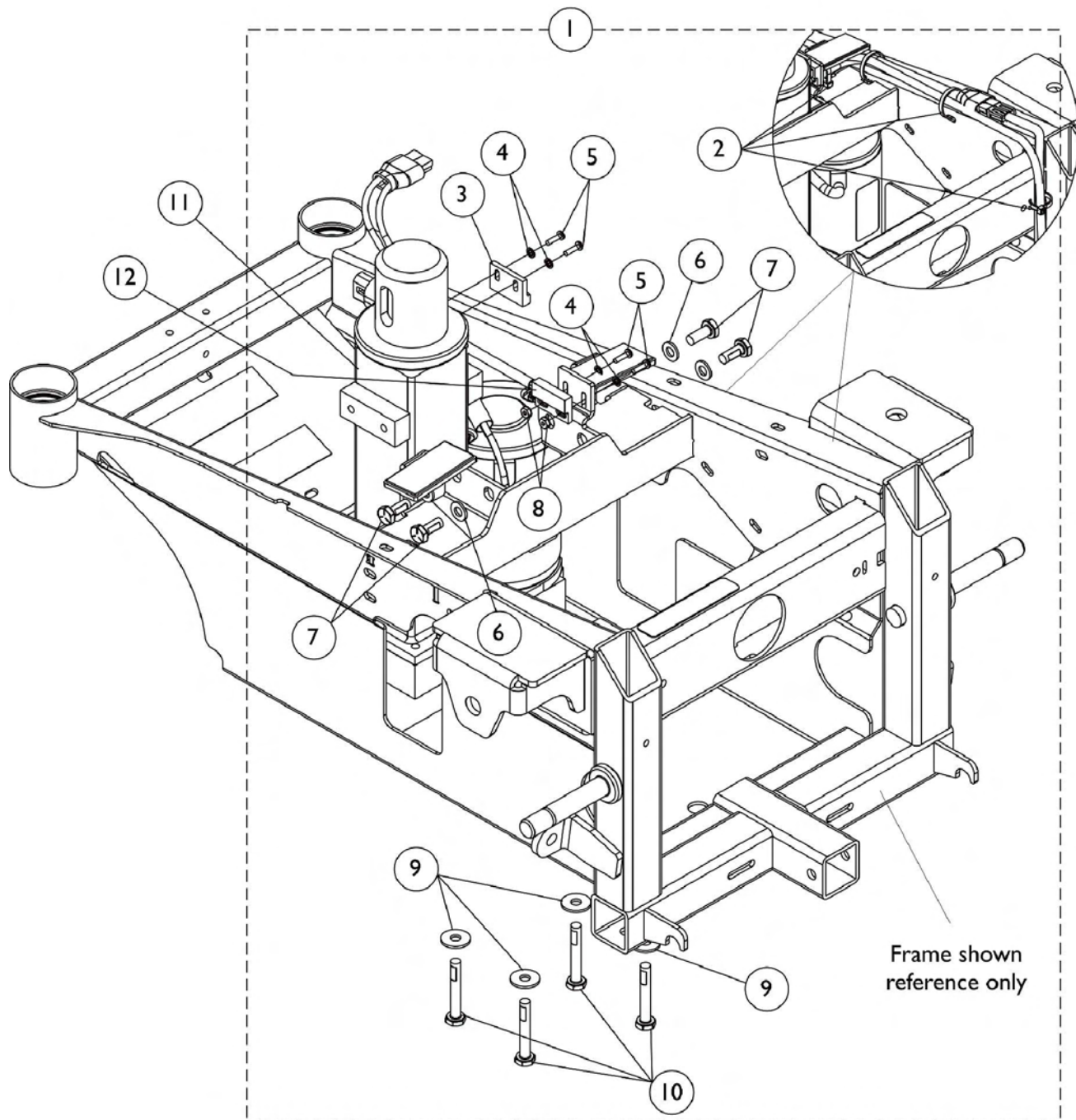
## #6 Office Style Van Seat Assembly

Charcoal Grey Vinyl Upholstery 18" Wide	Charcoal Grey Vinyl Upholstery 20" Wide
1127716	

Semi-Recline Van Seat reclines approx. 90-114 degrees. Adjustable depths are 16", 17", & 18" deep. Recline release levers are standard on the right side.



# Elevating Seat Actuator, Proximity Sensor, and Hardware

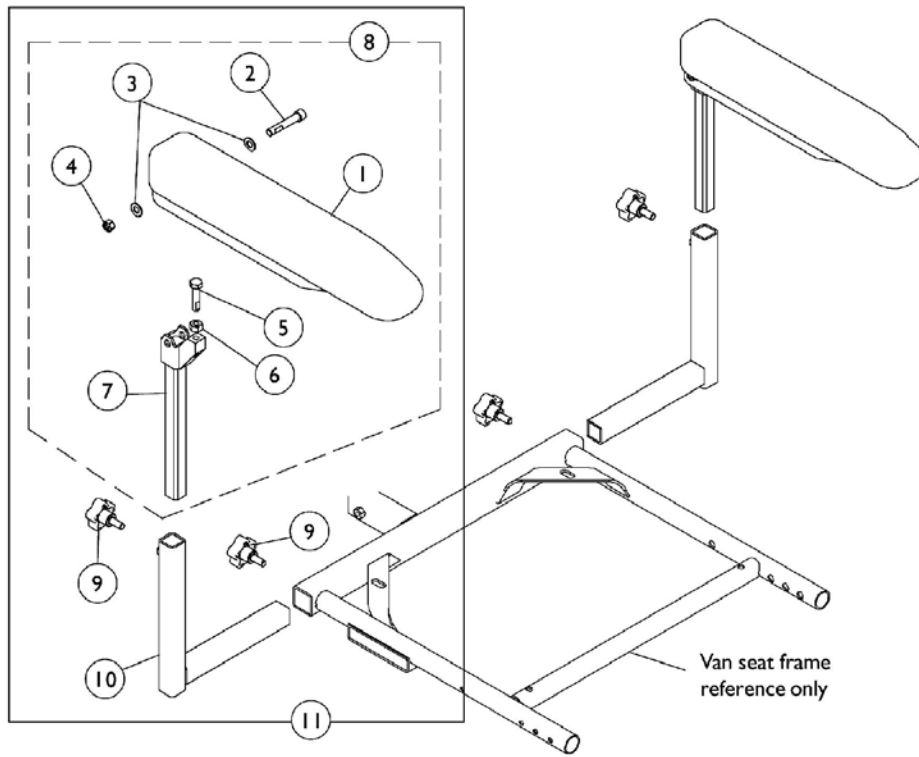


# Elevating Seat Actuator, Proximity Sensor, and Hardware

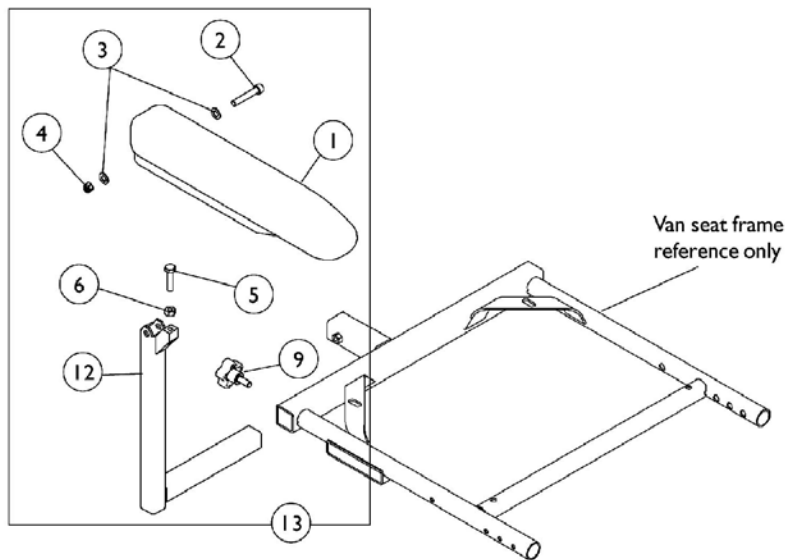
Item Number	Note	Part Number	Description	Quantity Per	
				Package	Assembly
1	A	1127303	Kit, Elevating Actuator Hardware	1	1
2			Cable Tie (5-5/8" Long)	1	4
3			Sensor, Actuator Switch	1	1
4			Washer, Internal Tooth Lock (#4-40)	1	4
5			Screw, Phillips Pan Head (#4-40 x 7/16")	1	4
6			Washer (1/4 x 1/2 x 1/16")	1	4
7			Screw, Socket Head Cap (1/4-20 x 3/4")	1	4
8			Nut, Hex Keps (#4-40)	1	2
9			Washer (1/4 x 23/32 x 1/16")	1	4
10			Screw, Hex Head Cap w/ Patch (1/4-20 x 1-5/8")	1	1
3		1024001	Sensor, Actuator Switch	1	1
11		1127262	Actuator, Elevating Pivot	1	1
12		1127290	Harness, Proximity Sensor	1	1

NOTE: A - Includes items 2-10

# Arms - Van Seat



**Adjustable Height / Adj.Width Arm Assembly**



**Fixed Height / Adj. Width Arm Assembly**

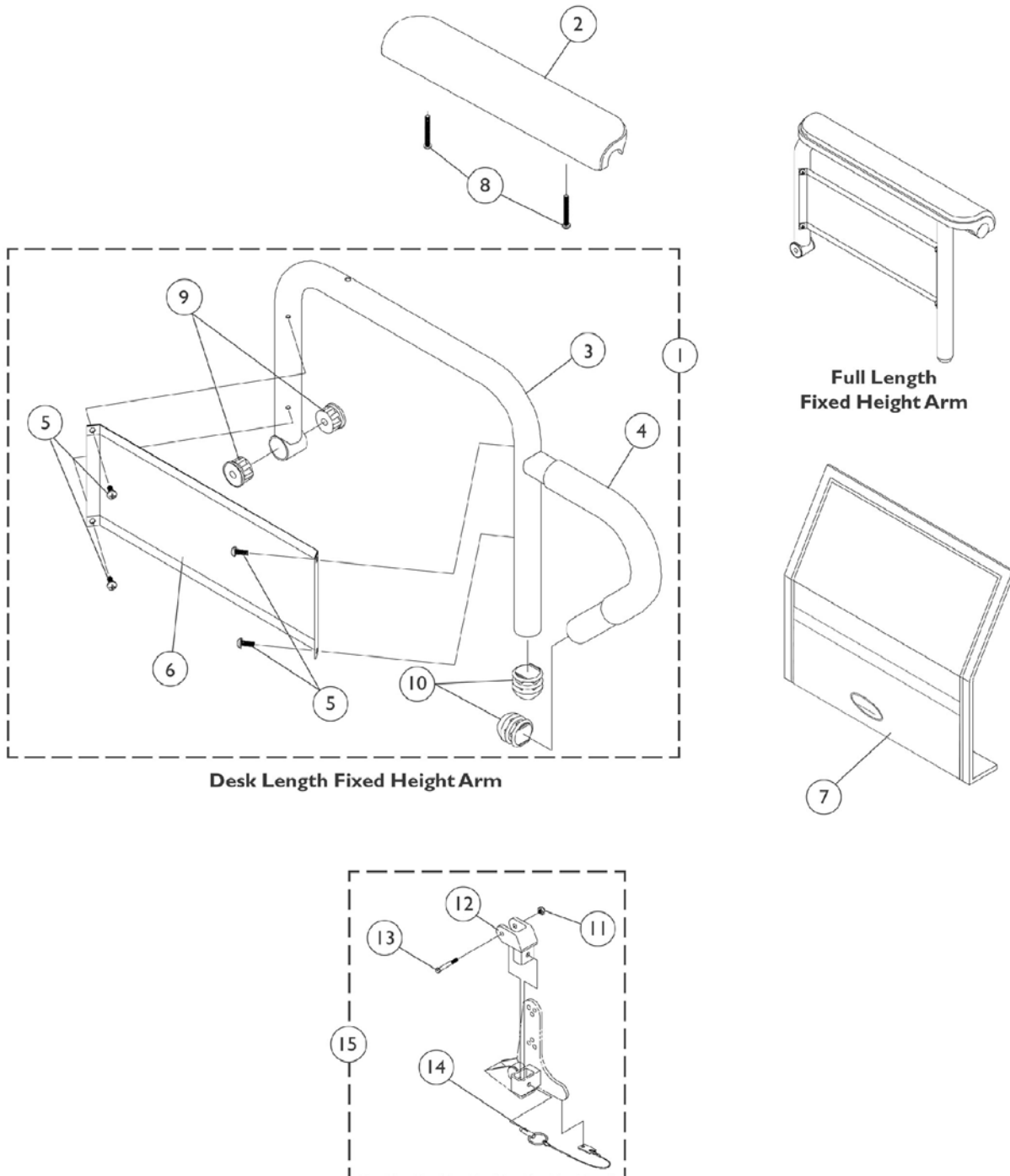
## Arms - Van Seat

Item Number	Note	Part Number	Description	Quantity Per	
				Package	Assembly
8	A	1142487	Upper Arm Assembly, Desk Length (Right/Left)	1	1
1			Arm Pad - Desk Length, Black Urethane (12-1/4" L x 2-5/8" W)	1	1
2			Screw, Socket Head Cap with Patch (5/16-18 x 1-3/4")	1	1
3			Washer, Flat (5/16 x 5/8 x 1/16")	1	2
4			Locknut (5/16-18)	1	1
5			Screw, Hex Head (5/16-18 x 1-1/4")	1	1
6			Nut, Hex (5/16-18)	1	1
7			Arm Tube, Upper Adjustable Height	1	1
1		1139923	Arm Pad - Desk Length, Black Urethane (12-1/4" L x 2-5/8" W)	1	1
8	A	1140426	Upper Arm Assembly, Full Length (Right/Left)	1	1
1			Arm Pad - Full Length, Black Urethane (15" L x 2-5/8" W)	1	1
2			Screw, Socket Head Cap with Patch (5/16-18 x 1-3/4")	1	1
3			Washer, Flat (5/16 x 5/8 x 1/16")	1	2
4			Locknut (5/16-18)	1	1
5			Screw, Hex Head (5/16-18 x 1-1/4")	1	1
6			Nut, Hex (5/16-18)	1	1
7			Arm Tube, Upper Adjustable Height	1	1
1		1139924	Arm Pad - Full Length, Black Urethane (15" L x 2-5/8" W)	1	1
9		1114910	Knob, Adjustment (5/16-18 x 3/4")	1	2
10		1113646	Arm Tube, Lower Adjustable Width - Right	1	1
10		1113647	Arm Tube, Lower Adjustable Width - Left	1	1
11	B	1142493	Arm Assembly, Desk Length Adj. Height - Right	1	1
11	B	1142492	Arm Assembly, Desk Length Adj. Height - Left	1	1
11	B	1142474	Arm Assembly, Full Length Adj. Height - Right	1	1
11	B	1142475	Arm Assembly, Full Length Adj. Height - Left	1	1
13	C	1142488	Arm Assembly, Desk Length Fixed Height - Right	1	1
1			Arm Pad - Desk Length, Black Urethane (12-1/4" L x 2-5/8" W)	1	1
2			Screw, Socket Head Cap with Patch (5/16-18 x 1-3/4")	1	1
3			Washer, Flat (5/16 x 5/8 x 1/16")	1	2
4			Locknut (5/16-18)	1	1
5			Screw, Hex Head (5/16-18 x 1-1/4")	1	1
6			Nut, Hex (5/16-18)	1	1
9			Knob, Adjustment (5/16-18 x 3/4")	1	1
12			Arm Tube, Fixed Height - Right	1	1
1		1139923	Arm Pad - Desk Length, Black Urethane (12-1/4" L x 2-5/8" W)	1	1
13	C	1142489	Arm Assembly, Desk Length Fixed Height - Left	1	1

## Arms - Van Seat

Item Number	Note	Part Number	Description	Quantity Per	
				Package	Assembly
1			Arm Pad - Desk Length, Black Urethane (12-1/4" L x 2-5/8" W)	1	1
2			Screw, Socket Head Cap with Patch (5/16-18 x 1-3/4")	1	1
3			Washer, Flat (5/16 x 5/8 x 1/16")	1	2
4			Locknut (5/16-18)	1	1
5			Screw, Hex Head (5/16-18 x 1-1/4")	1	1
6			Nut, Hex (5/16-18)	1	1
9			Knob, Adjustment (5/16-18 x 3/4")	1	1
12			Arm Tube, Fixed Height - Left	1	1
1		1139923	Arm Pad - Desk Length, Black Urethane (12-1/4" L x 2-5/8" W)	1	1
13	C	1142483	Arm Assembly, Full Length Fixed Height - Right	1	1
1			Arm Pad - Full Length, Black Urethane (15" L x 2-5/8" W)	1	1
2			Screw, Socket Head Cap with Patch (5/16-18 x 1-3/4")	1	1
3			Washer, Flat (5/16 x 5/8 x 1/16")	1	2
4			Locknut (5/16-18)	1	1
5			Screw, Hex Head (5/16-18 x 1-1/4")	1	1
6			Nut, Hex (5/16-18)	1	1
9			Knob, Adjustment (5/16-18 x 3/4")	1	1
12			Arm Tube, Fixed Height - Right	1	1
1		1139924	Arm Pad - Full Length, Black Urethane (15" L x 2-5/8" W)	1	1
13	C	1142486	Arm Assembly, Full Length Fixed Height - Left	1	1
1			Arm Pad - Full Length, Black Urethane (15" L x 2-5/8" W)	1	1
2			Screw, Socket Head Cap with Patch (5/16-18 x 1-3/4")	1	1
3			Washer, Flat (5/16 x 5/8 x 1/16")	1	2
4			Locknut (5/16-18)	1	1
5			Screw, Hex Head (5/16-18 x 1-1/4")	1	1
6			Nut, Hex (5/16-18)	1	1
9			Knob, Adjustment (5/16-18 x 3/4")	1	1
12			Arm Tube, Fixed Height - Left	1	1
1		1139924	Arm Pad - Full Length, Black Urethane (15" L x 2-5/8" W)	1	1
NOTE: A - Includes items 1-7 B - Includes items 8-10 C - Includes items 1-6,9, and 12					

# Arms - ASBA & AdjASBA Seat Fixed Height



## Arms - ASBA & AdjASBA Seat Fixed Height

Item Number	Note	Part Number	Description	Quantity Per	
				Package	Assembly
1		See Chart	See Footnote	1	1
2		1102585	Arm Pad, Full Length Black Urethane Waterfall	1	1
2		1110818	Arm Pads, Full Length, Urethane Waterfall with Screws, Black (13" L x 2-5/8" W) (Pair)	2	1
2		1102586	Arm Pad, Desk Length Black Urethane Waterfall	1	1
2		1110817	Arm Pads, Desk Length, Urethane Waterfall with Screws, Black (9" L x 2-5/8" W) (Pair)	2	1
3		See Chart	See Footnote	1	1
4		1032244	Grip, Foam Hand (9" Long)	1	1
5		1025729	Screw, Self Tapping Pan Head (#8-32 x 3/8")	1	4
6		1035472	Clothing Guard, Desk Length	1	1
6		1044572	Clothing Guard, Full Length 16-19" Deep	1	1
6		1044005	Clothing Guard, Full Length 20" and Deeper	1	1
7		1035065	Cover, Clothing Guard with Pocket - For Fixed Height Desk Length & Adjustable Height Full/Desk Length	1	1
7		1044588	Cover, Clothing Guard with Pocket For Fixed Height Full Length - 20" and Deeper	1	1
8		1055949	Screws, Phillips Pan Head (#10-32 x 1-1/8")	2	1
8		1094270	Screw, Phillips Pan Head (#10-32 x 1-1/4") (Pair)	2	1
9		1065936	Plug, Pivot	1	2
10		1067734	Plug Button, Black (5/8")	1	2
11		1025195	Locknut (1/4-20)	1	1
12		1068025	Clevis, Pivot	1	1
13		1019590	Screw, Socket Button Head (1/4-20 x 1-5/8")	1	1
14		1068039	Pin, Pull	1	1
15		1068488	Kit, Swingaway Armrest Mounting Hardware	1	1

### #1 Fixed Height Arms w/o Pad

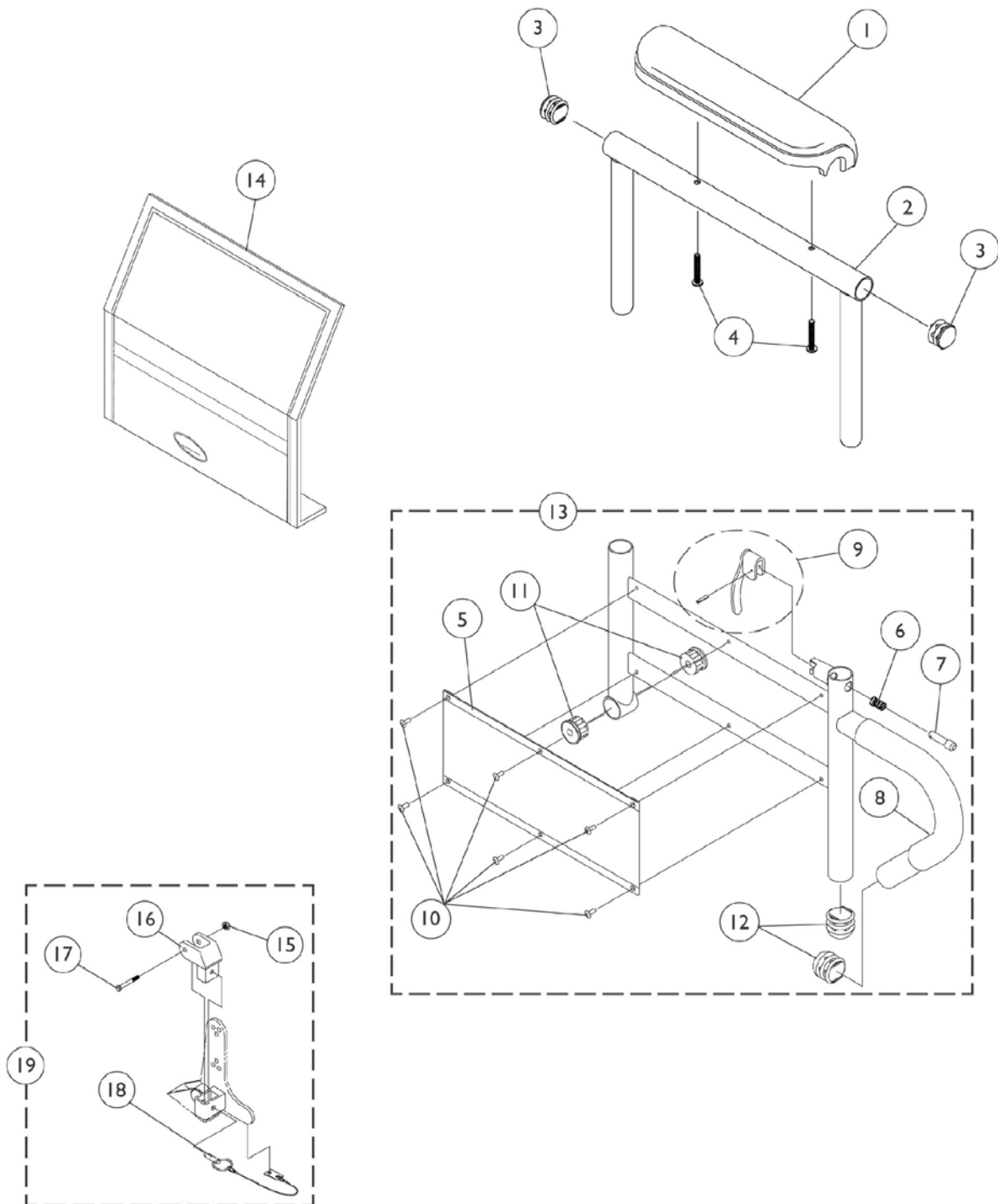
Chair Seat Depth	Arm Style	Part Number
16-19"	Desk -Right	1068566
16-19"	Desk -Left	1068567
16-19"	Full -Right	1068559
16-19"	Full -Left	1068560
20"	Desk -Right	1068540
20"	Desk -Left	1068541
20"	Full -Right	1068528
20"	Full -Left	1068529

**Arms - ASBA & AdjASBA Seat**  
**Fixed Height**  
**#3 Arm Tubes - Fixed Height**

Chair Seat Depth	Arm Style	Part Number
16-19"	Desk -Right	1068564
16-19"	Desk -Left	1068565
16-19"	Full -Right	1068490
16-19"	Full -Left	1068491
20"	Desk -Right	1068414
20"	Desk -Left	1068415
20"	Full -Right	1068473
20"	Full -Left	1068474



# Arms - ASBA & AdjASBA Seat Adjustable Height



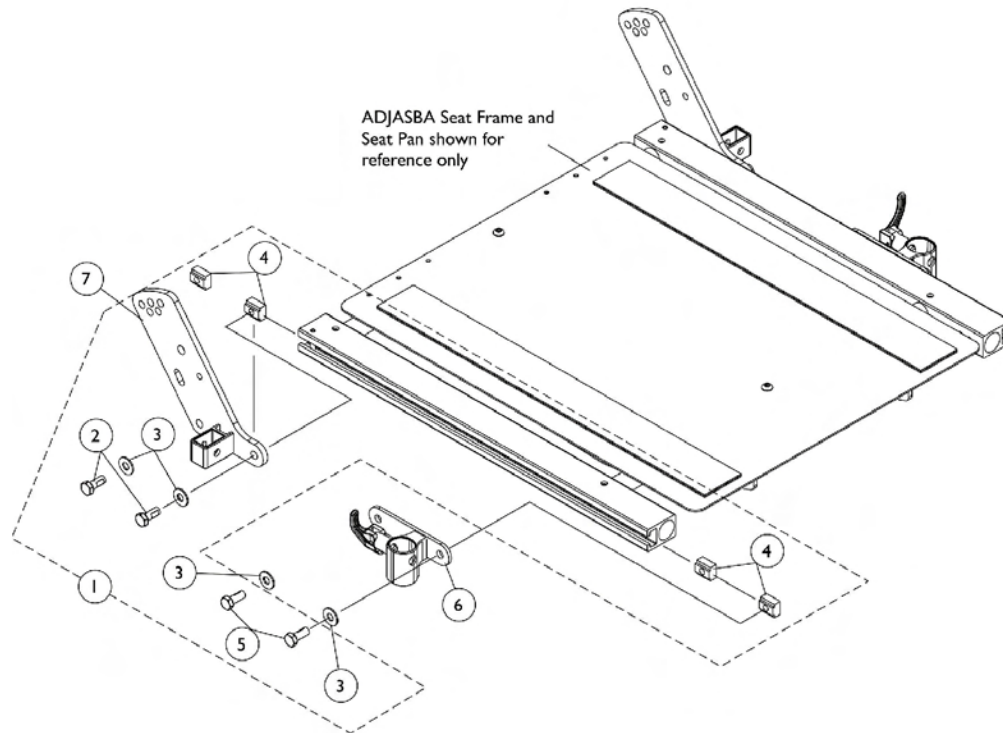
## Arms - ASBA & AdjASBA Seat Adjustable Height

Item Number	Note	Part Number	Description	Quantity Per	
				Package	Assembly
1	A	1117328	Arm Pad, Full Length, Urethane Waterfall with Screws, Black (13" L x 2-5/8" W)	1	1
1		1110818	Arm Pads, Full Length, Urethane Waterfall with Screws, Black (13" L x 2-5/8" W) (Pair)	2	1
1	A	1117327	Arm Pad, Desk Length, Urethane Waterfall with Screws, Black (9" L x 2-5/8" W)	1	1
1		1110817	Arm Pads, Desk Length, Urethane Waterfall with Screws, Black (9" L x 2-5/8" W) (Pair)	2	1
2		1071253	Arm Top, Adjustable Height with Plug Buttons - Full Length (Black)	1	1
2		1070859	Arm Tube, Upper with Plug Buttons (Black) - Desk Length	1	1
3		1027095	Plug Button, Black (7/8")	1	2
4		1055949	Screws, Phillips Pan Head (#10-32 x 1-1/8")	2	1
4		1094270	Screw, Phillips Pan Head (#10-32 x 1-1/4") (Pair)	2	1
5		1064130	Clothing Guard	1	1
6		47471X074	Spring, Arm Lock	1	1
7		1028594	Pin, Arm Lock	1	1
8		1032244	Grip, Foam Hand (9" Long)	1	1
9		1090768	Kit, Lock Handle w/Rivets (both LT & RT side)	2	1
10		1028645	Rivet	1	6
11		1065936	Plug, Pivot	1	2
12		1067734	Plug Button, Black (5/8")	1	2
13		1068416	Arm Base, Adjustable Height 16-19" Deep - Right (Black)	1	1
13		1068417	Arm Base, Adjustable Height 16-19" Deep - Left (Black)	1	1
13		1068418	Arm Base, Adjustable Height 20" and Deeper - Right (Black)	1	1
13		1068419	Arm Base, Adjustable Height 20" and Deeper - Left (Black)	1	1
14		1035065	Cover, Clothing Guard with Pocket - For Fixed Height Desk Length & Adjustable Height Full/Desk Length	1	1
15		1025195	Locknut (1/4-20)	1	1
16		1068025	Clevis, Pivot	1	1
17		1019590	Screw, Socket Button Head (1/4-20 x 1-5/8")	1	1
18		1068039	Pin, Pull	1	1
19		1068488	Kit, Swingaway Armrest Mounting Hardware	1	1

NOTE: A - After 7/9/07 Invacare recommends ordering armpads in pairs to assure uniform appearance on chair

# Front/Rear Arm Socket Assembly and Hardware

## M51 ADJASBA After 4/29/08

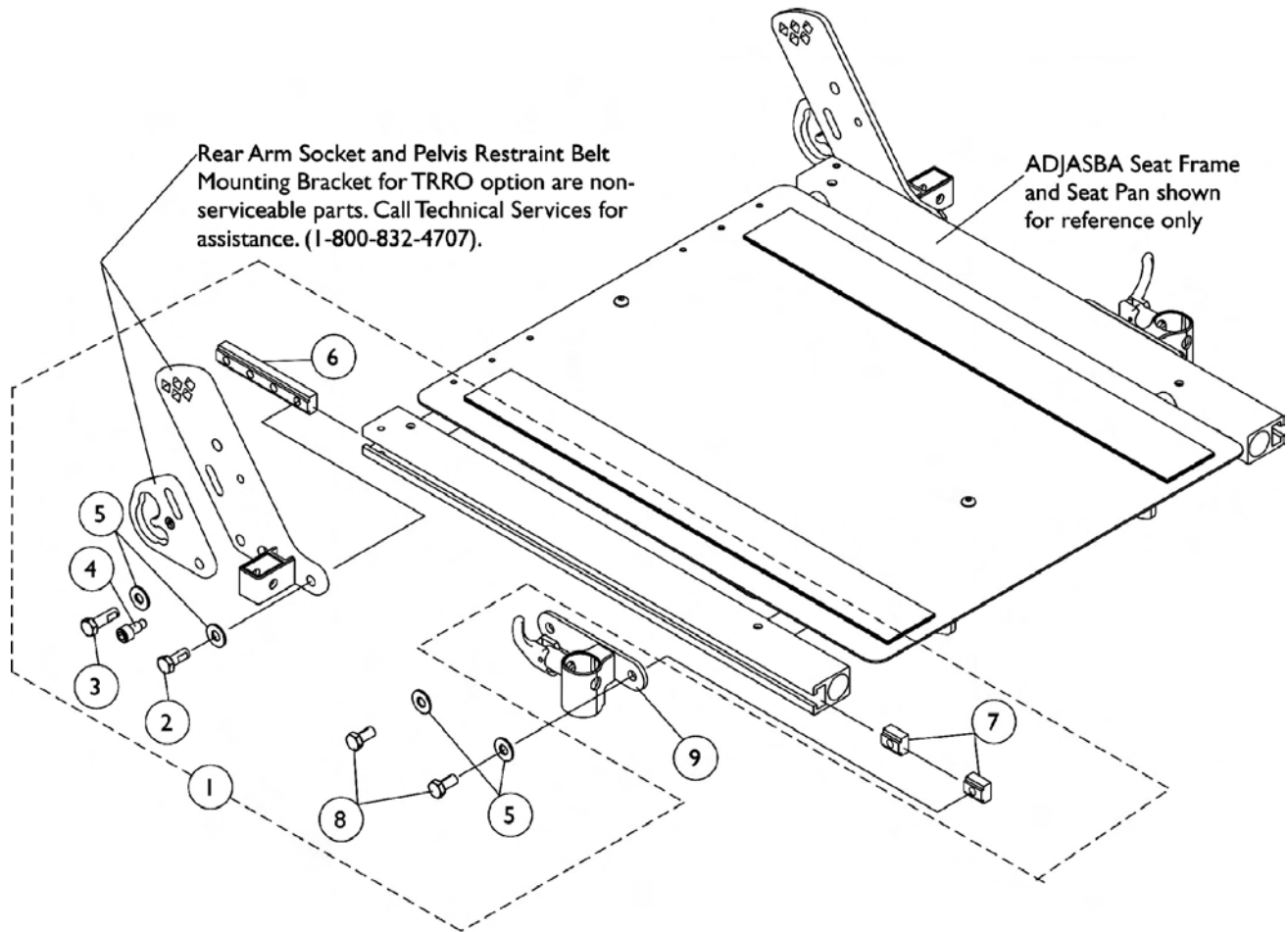


Item Number	Note	Part Number	Description	Quantity Per	
				Package	Assembly
1	A	1125734	Kit, Front/Rear Arm Socket Assembly Mounting Hardware	1	1
2			Screw, Hex Head Cap with Patch (5/16-18 x 3/4")	1	2
3			Washer (5/16 x 3/4 x 1/16")	1	4
4			T-Nut (5/16-18)	1	4
5			Screw, Hex Head (5/16-18 x 5/8")	1	2
6		1122619	Socket, Front Arm - Right	1	1
6		1122620	Socket, Front Arm - Left	1	1
7		1125478	Socket, Rear Arm - Right	1	1
7		1125479	Socket, Rear Arm - Left	1	1

NOTE: A - Includes items 2-5

# Front/Rear Arm Socket Assembly and Hardware

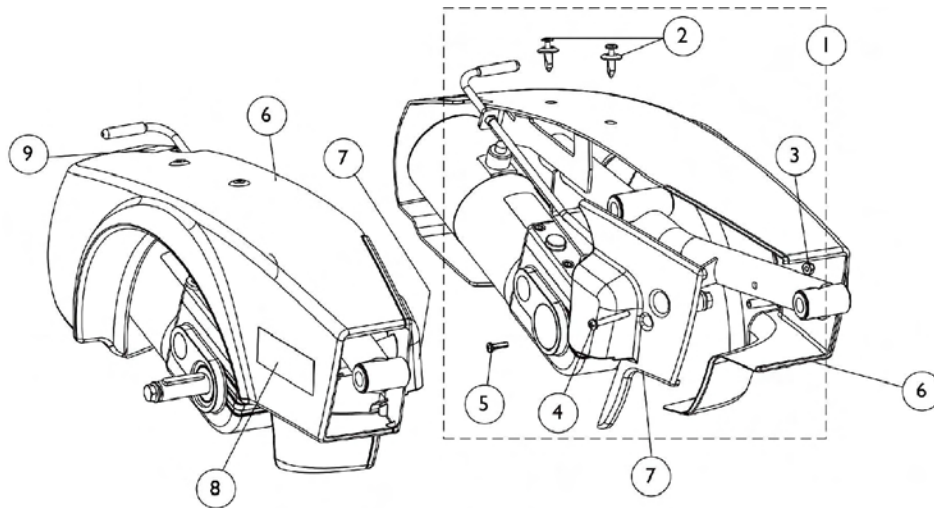
## M51 ADJASBA Seats with TRRO Option After 4/29/08



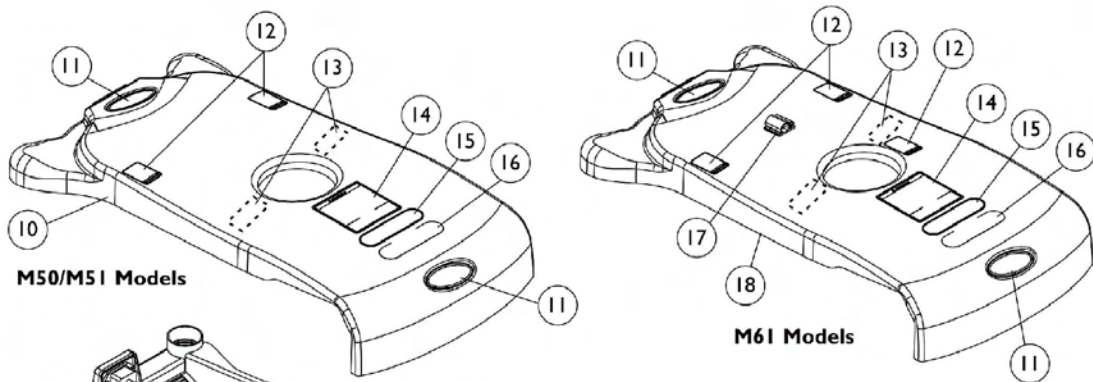
## Front/Rear Arm Socket Assembly and Hardware M51 ADJASBA Seats with TRRO Option After 4/29/08

Item Number	Note	Part Number	Description	Quantity Per	
				Package	Assembly
1		1136025	Kit, Front/Rear Arm Socket Assembly Mounting Hardware For TRRO Option	1	1
2			Screw, Hex Head Cap with Patch (5/16-18 x 3/4")	1	1
3			Screw, Hex Head Cap with Patch (5/16-18 x 1")	1	1
4			Screw, Socket Head Cap (5/16-18 x 3/4")	1	1
5			Washer (5/16 x 3/4 x 1/16")	1	4
6			T-Nut (5/16-18)	1	1
7			T-Nut (5/16-18)	1	2
8			Screw, Hex Head (5/16-18 x 5/8")	1	2
9		1122619	Socket, Front Arm - Right	1	1
9		1122620	Socket, Front Arm - Left	1	1

# Shrouds and Attaching Hardware

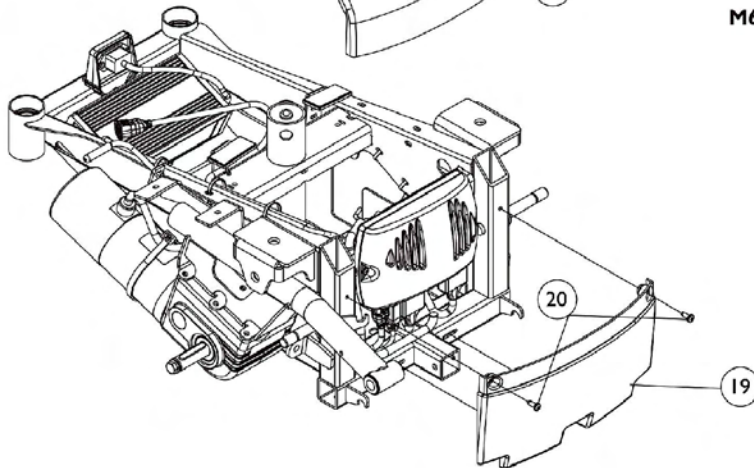


**Side Shrouds**



**M50/M51 Models**

**M61 Models**



**Top and Front Shrouds**

## Shrouds and Attaching Hardware

Item Number	Note	Part Number	Description	Quantity Per	
				Package	Assembly
1	A	1127709	Kit, Side and Inner Shroud Hardware	1	1
2			Screw, Phillips Head (1/4-20 x 11/16")	1	4
3			Locknut (#10-32)	1	2
4			Screw, Phillips Pan Head (10-32 x 1-5/8")	1	2
5			Screw, Phillips Pan Head (#8-16 x 5/8")	1	2
6	B	See Chart	#6 Side Shroud Assembly	1	1
7		1127380	Shroud, Inner - Right	1	1
7		1127381	Shroud, Inner - Left	1	1
8		1110604	Decal, Shroud M50	1	1
8		1110605	Decal, Shroud M51	1	1
8		1127292	Decal, Shroud M61	1	1
9		1104797	Decal, Shroud Drive/Push	1	1
10	C	1127336	Top Shroud Assembly	1	1
11		1095489	Decal, Invacare 3-D Logo (2-1/2" L)	1	2
12		1079203	Decal, Warning Pinch Point	1	2
13		1070509	Fastener, Loop with Adhesive Back (1" Wide x 2" Long)	1	2
14		1122126	Label, Battery Warning	1	1
15		1119281	Name Plate, Patent Numbers	1	1
16		1035900	Decal, Transportation	1	1
17		1127276	Clip, Wire with Adhesive Back	1	1
18	D	1127275	Top Shroud Assembly	1	1
19		1127383	Shroud, Front	1	1
20		1028484	Screw, Phillips Pan Head Tap (#10-32 x 1/2")	1	2

NOTE: A - Includes items 2-5  
 B - Includes Decals, items 8 & 9  
 C - Includes items 11-16  
 D - Includes items 11-17

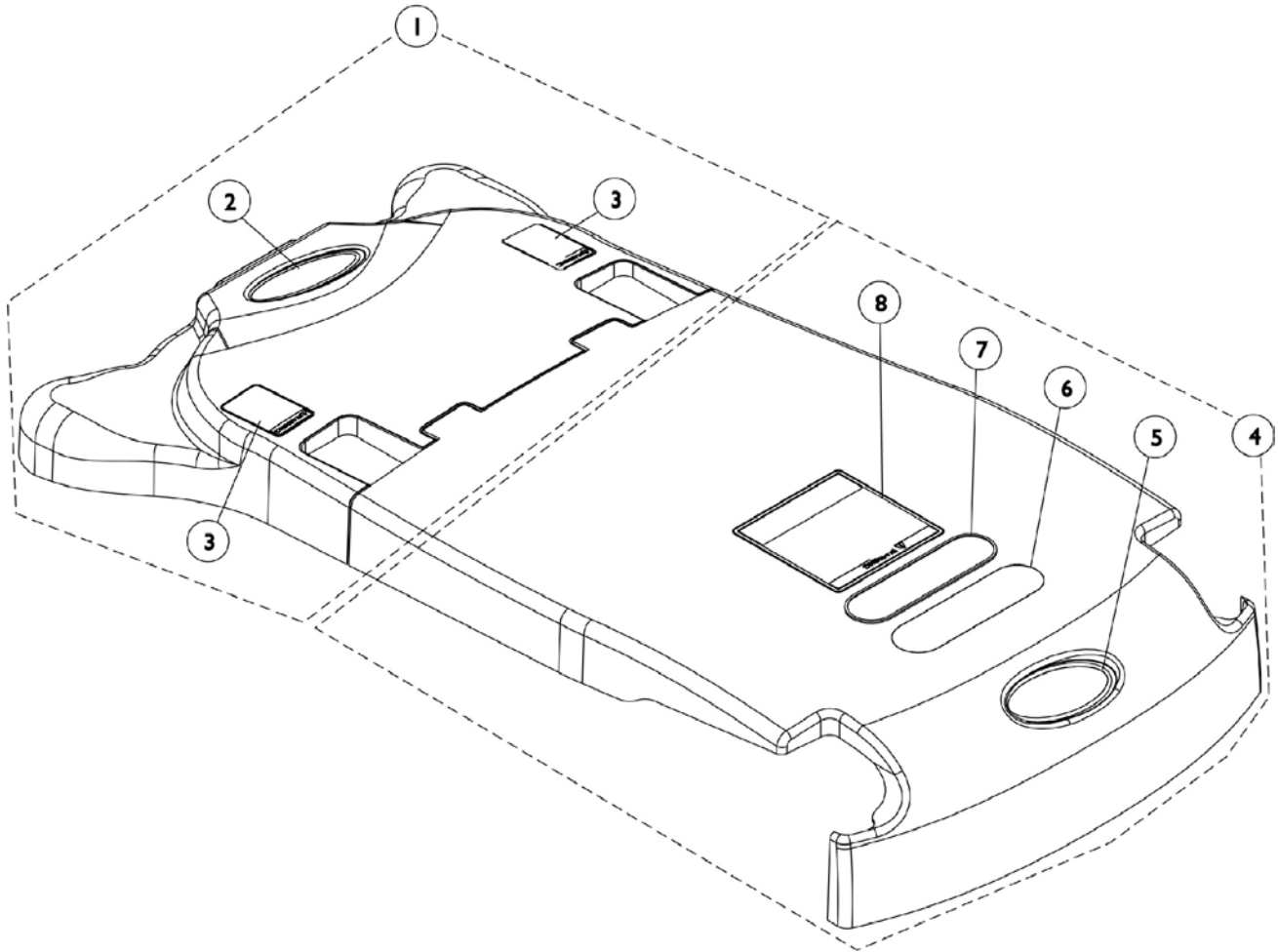
### #6 Side Shroud Assembly

Includes Decals, items 8 & 9

Chair Model	Red	Blue
M50 - Right	1127324	1127326
M50 - Left	1127325	1127327
M51 - Right	1127328	1127330
M51 - Left	1127329	1127331
M61 - Right	1127332	1127334
M61 - Left	1127333	1127335

# Top Shroud Assembly

M51 with Formula CG Tilt (CGT) & M51 Rehab After 4/29/08





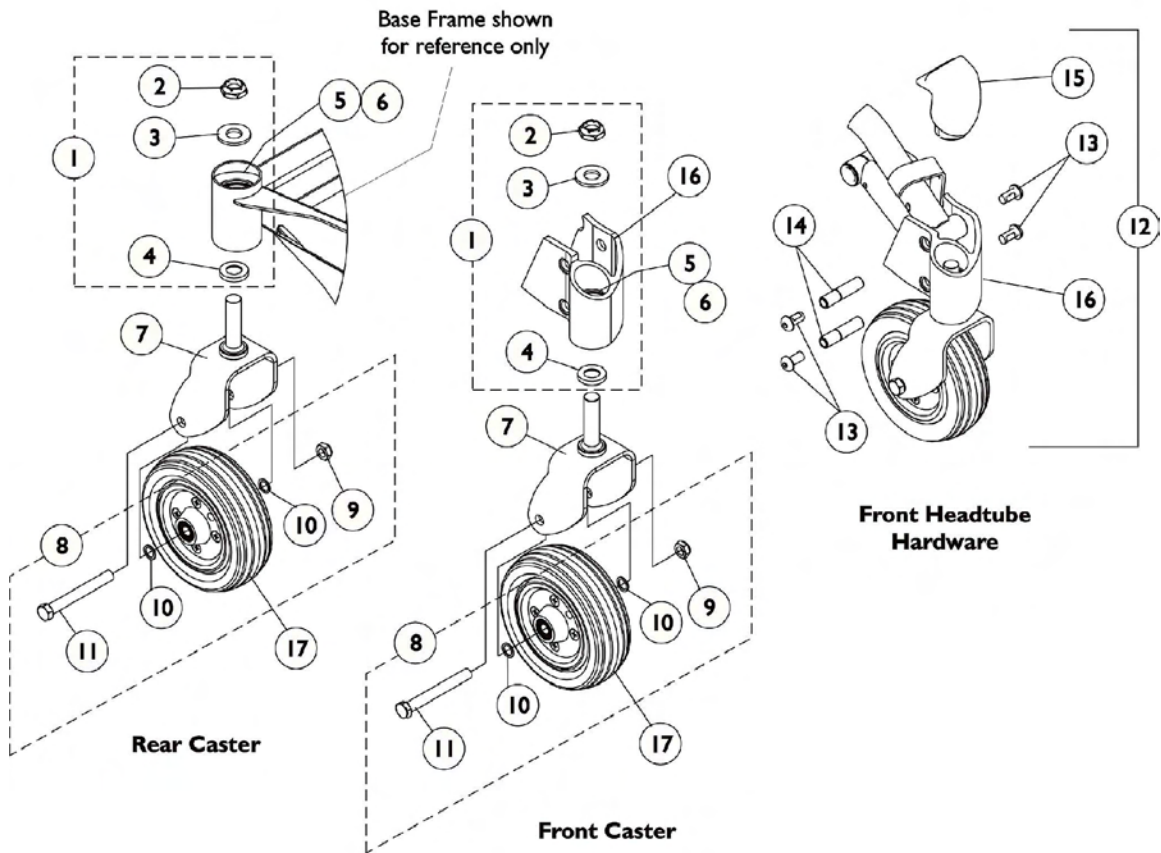
## Top Shroud Assembly

### M51 with Formula CG Tilt (CGT) & M51 Rehab After 4/29/08

Item Number	Note	Part Number	Description	Quantity Per	
				Package	Assembly
1	A	1152539	Shroud, Top Rear (Black) with Decals	1	1
2		1095489	Decal, Invacare 3-D Logo (2-1/2" L)	1	1
3		1079203	Decal, Warning Pinch Point	1	2
4	B	1152540	Shroud, Top Front (Black) with Decals	1	1
5		1095489	Decal, Invacare 3-D Logo (2-1/2" L)	1	1
6		1035900	Decal, Transportation	1	1
7		1119281	Name Plate, Patent Numbers	1	1
8		1122126	Label, Battery Warning	1	1

NOTE: A - Includes items 2 and 3 also  
 B - Includes items 5-8 also

# Casters and Forks



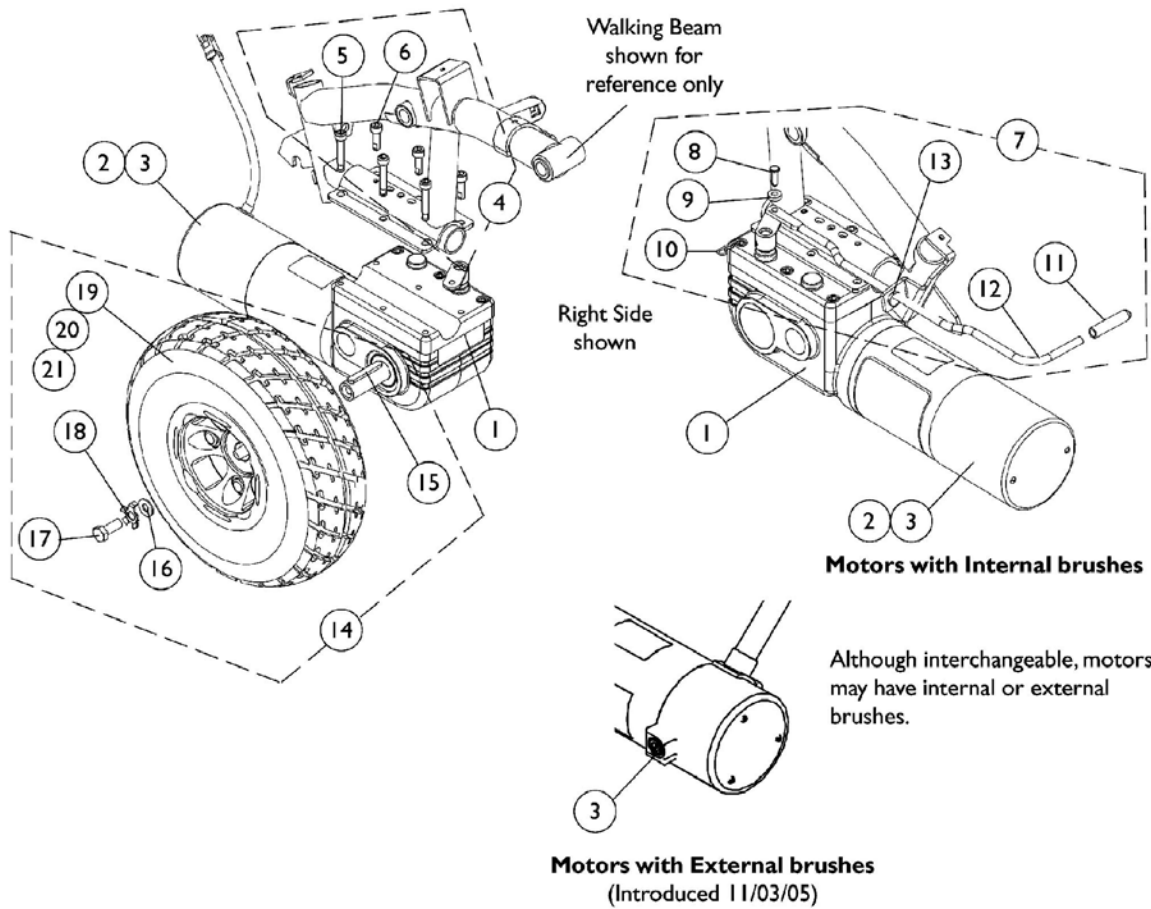
## Casters and Forks

Item Number	Note	Part Number	Description	Quantity Per	
				Package	Assembly
1	A	1106226	Kit, Fork Mounting Hardware	1	1
2		1028550	Locknut (5/8-18)	1	1
3		1041444	Washer (5/8 x 1-5/16 x 1/8")	1	1
4		1106068	Spacer, Stem (5/8 x 1-1/8 x 3/16")	1	1
5		40117X006	Bearing (5/8")	1	2
6		1110717	Ring, Tolerance	1	2
7		1110683	Fork and Stem	1	1
8	B	1110708	Kit, Caster Mounting Hardware	1	1
9		1025734	Locknut (7/16-20)	1	1
10		1025724	Washer (15/32 x 5/8 x 3/64")	1	2
11		1025726	Screw, Hex Head (7/16-20 x 3-1/4")	1	1
12	C	1110688	Kit, Caster Headtube with Hardware - Right	1	1
12	C	1110689	Kit, Caster Headtube with Hardware - Left	1	1
12	E,F	1140293	Kit, Caster Headtube with Hardware - Right (TRRO/TRBKTS)	1	1
			Screw, Socket Button Head Cap (3/8-24 x 3/4")	1	4
			Bushing, Pivot Head Tube	1	2
			Cap, Headtube - Right	1	1
			Headtube Assembly, Caster with Bearings - Right (TRRO/TRBKTS)	1	1
			Spacer, Stem (5/8 x 1-1/8 x 3/16")	1	1
12	E,F	1140294	Kit, Caster Headtube with Hardware - Left (TRRO/TRBKTS)	1	1
			Screw, Socket Button Head Cap (3/8-24 x 3/4")	1	4
			Bushing, Pivot Head Tube	1	2
			Cap, Headtube - Left	1	1
			Headtube Assembly, Caster with Bearings - Left (TRRO/TRBKTS)	1	1
			Spacer, Stem (5/8 x 1-1/8 x 3/16")	1	1
13		1109222	Screw, Socket Button Head Cap (3/8-24 x 3/4")	1	4
14		1112633	Bushing, Pivot Head Tube	1	2
15		1113012	Cap, Headtube - Right	1	1
15		1113013	Cap, Headtube - Left	1	1
16	D	1110694	Headtube Assembly with Bearings - Right	1	1
16	D	1110695	Headtube Assembly with Bearings - Left	1	1
16	D,F	1140289	Headtube Assembly, Caster with Bearings - Right (TRRO/TRBKTS)	1	1
16	D,F	1140290	Headtube Assembly, Caster with Bearings - Left (TRRO/TRBKTS)	1	1
17		1115179	Wheel with Bearings, 6 x 2" Urethane Deep Profile	1	1
17		1122066	Wheels with Bearings, 6 x 2" Urethane Deep Profile	2	1

# Casters and Forks

NOTE: A - Includes Items 2-4  
B - Includes Items 9-11  
C - Includes Items 13-16  
D - Includes Items 5 and 6  
E - Includes Items 13-16 & Stem Spacer (not shown)  
F - Chairs w/ TRRO/TRBKTS option. These headtubes will have a dimple stamped on the outside for identification purposes.

# Motor, Gearbox, and Drive Wheel

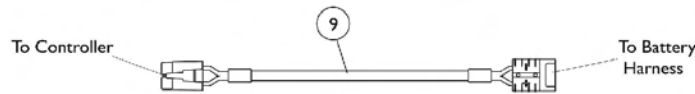
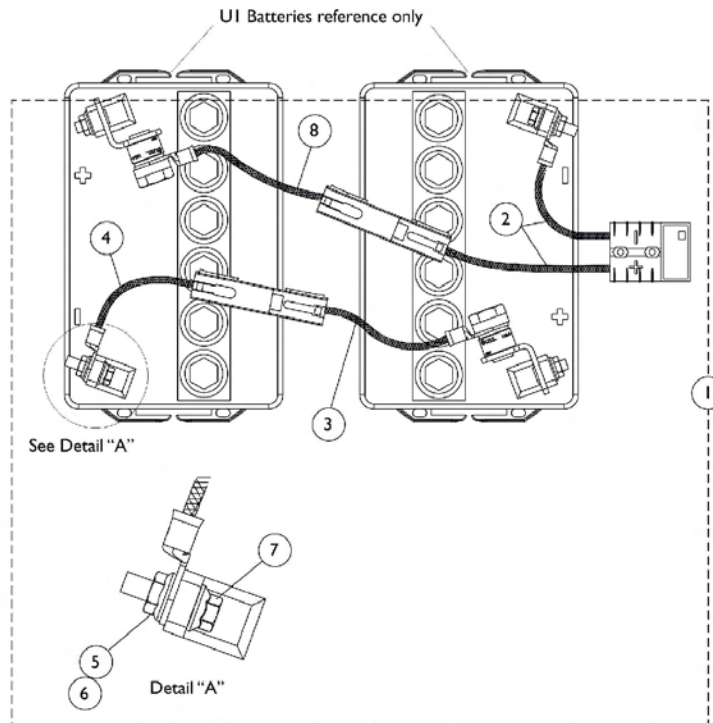


## Motor, Gearbox, and Drive Wheel

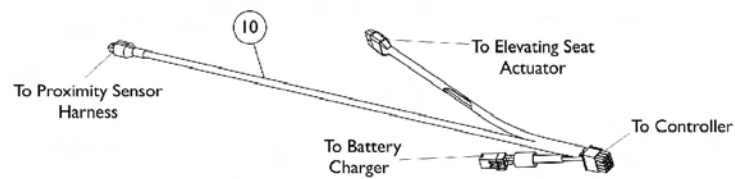
Item Number	Note	Part Number	Description	Quantity Per	
				Package	Assembly
1	A	1127394	Motor and Gearbox Assembly - Right	1	1
1	A	1127395	Motor and Gearbox Assembly - Left	1	1
2	B	1038361	Kit, Motor/Brake Covers with Screws	2	1
3	C,D	1123528	Kit, Motor Brush - Internal (Large)	2	1
3	E,F	1137265	Kit, Motor Brush w/ Cap - External	2	1
	G	1122164	Instruction Sheet, Motor Brush Kit	1	1
4	H	1141284	Kit, Motor Mounting Hardware	1	1
5			Screw, Socket Head (M6 x 1 x 30MM)	1	3
6			Screw, Socket Head Cap with Patch (M6 x 20MM)	1	3
7	I	1127397	Kit, Motor Release Lever Hardware	1	1
8			Pin, Clevis	1	1
9			Washer, Nylon (3/16 x 7/16 x 1/8")	1	1
10			Pin, Bridge	1	1
11			Tip, Foam, Black	1	1
12			Lever, Motor Release	1	1
13			Bushing, Snap	1	1
14	J	1102338	Kit, Drive Wheel with Mounting Hardware - Pneumatic (10 x 3")	1	1
15			Key (6 MM x 6MM x 40 MM)	1	1
16			Washer (11/32 x 13/16 x 1/8")	1	1
17			Screw (M8 x 1-1/4 x 20MM)	1	1
18			Kit, Locking Tab Washers with Instruction Sheet	2	1
19			Tire, Pneumatic (10" x 3")	1	1
20			Tube, Inner (10" x 3")	1	1
21			Wheel, Drive with Bearings - Pneumatic (10" x 3")	1	1
19		1109005	Tire, Pneumatic (10" x 3")	1	1
20		1109028	Tube, Inner (10" x 3")	1	1
14	J	1102339	Kit, Drive Wheel with Mounting Hardware - Flat Free (10 x 3")	1	1
15			Key (6 MM x 6MM x 40 MM)	1	1
16			Washer (11/32 x 13/16 x 1/8")	1	1
17			Screw (M8 x 1-1/4 x 20MM)	1	1
18			Kit, Locking Tab Washers with Instruction Sheet	1	1
19			Tire w/ Flat-Free (10" x 3")	1	1
21			Wheel, Drive with Tire and Bearings - Flat Free (10" x 3")	1	1
19		1102342	Tire w/ Flat-Free (10" x 3")	1	1

NOTE: A - Although motors are interchangeable, they may have internal or external brushes.  
 B - Brake Cover is only serviceable on motors with internal brushes.  
 C - For motors with internal brushes.  
 D - Includes 2 ea. brushes and 1 ea. instruction sheet.  
 E - For motors with external brushes.  
 F - Includes 2 ea. brushes, 2 ea. brush caps, and 1 ea. instruction sheet.  
 G - Not Shown  
 H - Includes items 5 and 6.  
 I - Includes items 8-13.  
 J - Includes items 15-18, & 21.

# Battery Harnesses



**Battery Cable Extension Harness**



**Elevate Actuator and Battery Charger Harness**

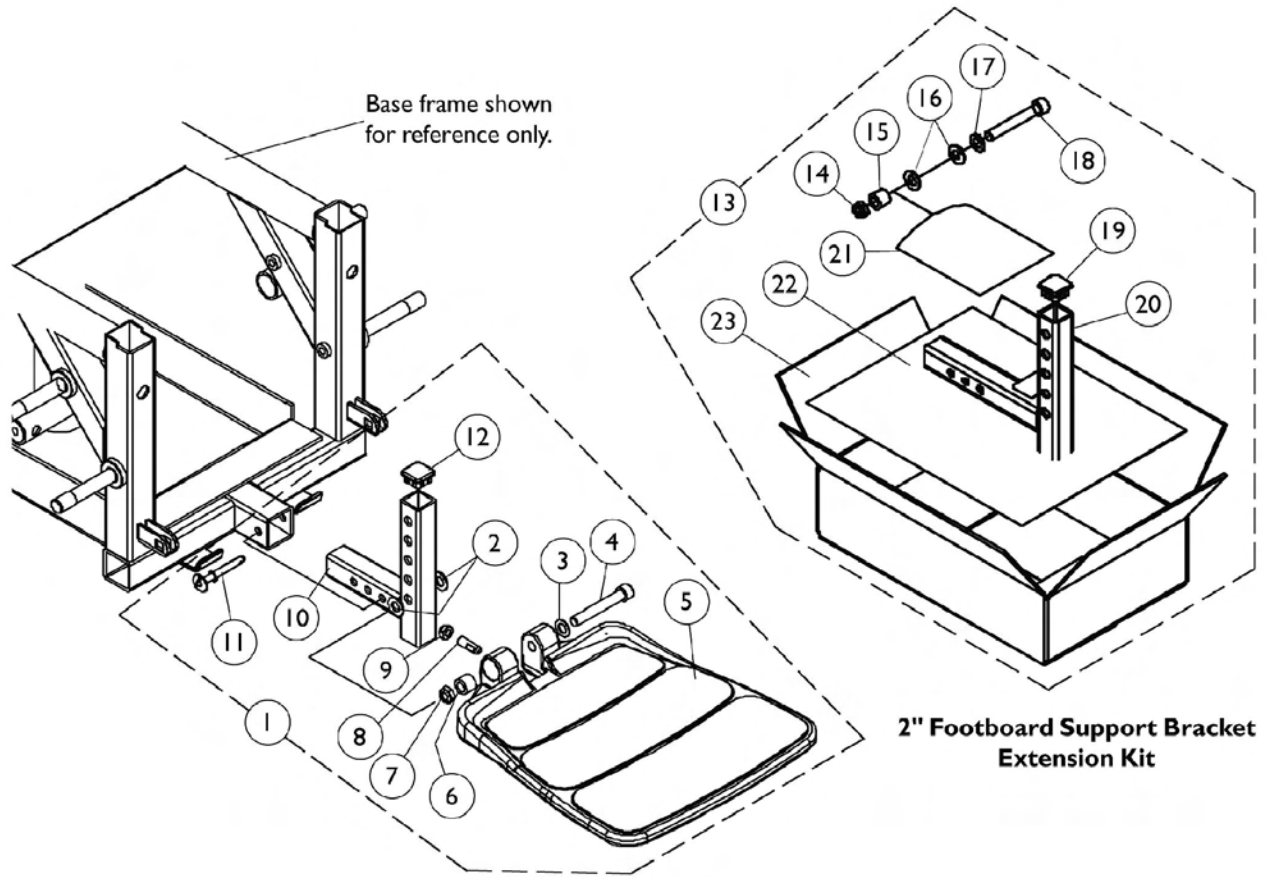
## Battery Harnesses

Item Number	Note	Part Number	Description	Quantity Per	
				Package	Assembly
1	A	1127304	Kit, Battery Harnesses with Terminal Hardware	1	1
			Cable Tie (11-1/2" Long)	1	6
			Instruction Sheet, Battery Installation	1	1
2			Harness, Battery - Front	1	1
3			Harness, Battery with 75 Amp Fuse	1	1
4			Harness, Battery - Rear	1	1
5			Locknut (1/4-20)	1	4
6			Washer, Locking Tab	1	2
7			Screw, Hex Flange Whiz Lock(1/4-20 x 5/8")	1	4
8			Harness, Battery with 75 Amp Fuse	1	1
9	B	1116381	Cable, Battery Extension (75 Amp) (Black Connector)	1	1
10	C	1127260	Harness, Actuator Sensor and Battery Charger	1	1

NOTE: A - Includes items 2-8, Cables Ties (not shown), and Instruction Sheet (not shown).  
 B - Used on M50 and M51 models  
 C - Used on M61 models



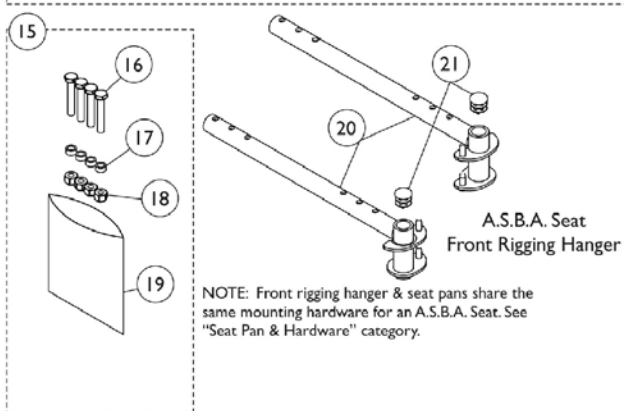
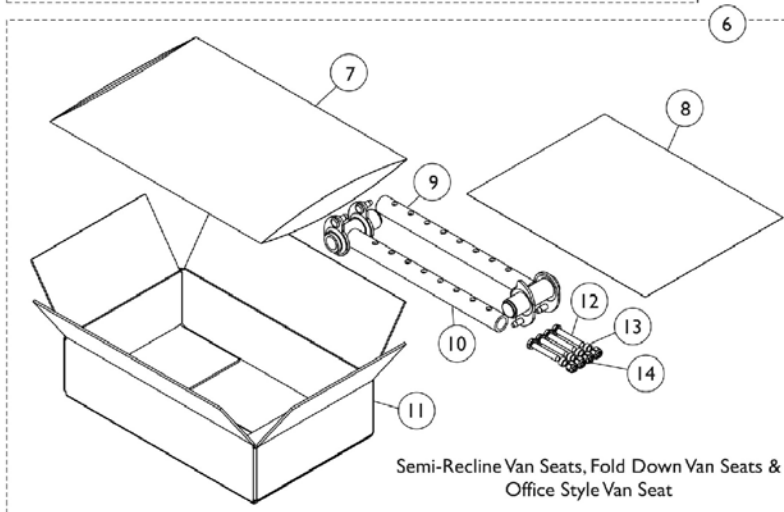
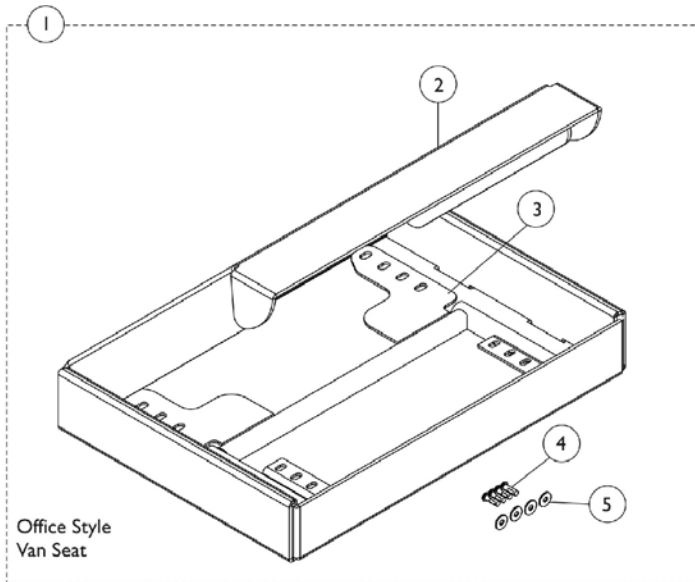
# Footboard Assembly - 90FB



## Footboard Assembly - 90FB

Item Number	Note	Part Number	Description	Quantity Per	
				Package	Assembly
1	A,B	1105027	Footboard Assembly	1	1
2			Washer, Nylon (3/8 x 3/4 x 1/16")	1	2
3			Washer, Flat (3/8 x 11/16 x 1/16")	1	1
4			Screw, Socket Head (3/8-16 x 2-1/2")	1	1
5			Footboard with Cover	1	1
6			Bushing (3/8 x 5/8 x 1/2")	1	1
7			Locknut, Low Profile (3/8-16)	1	1
8			Screw, Socket Set Flat (5/16-18 x 1")	1	1
9			Locknut (5/16-18)	1	1
10			Bracket, Footboard Support (Black)	1	1
11			Pin, Quick Release	1	1
12			Cap, Tube (1" Square)	1	1
13	C	1115378	Kit, 2" Footboard Extension	1	1
14			Locknut, Low Profile (3/8-16)	1	1
15			Bushing (3/8 x 5/8 x 1/2")	1	1
16			Washer, Nylon (3/8 x 3/4 x 1/16")	1	2
17			Washer, Flat (3/8 x 11/16 x 1/16")	1	1
18			Screw, Socket Head (3/8-16 x 2-1/2")	1	1
19			Cap, Tube (1" Square)	1	1
20			Bracket, Footboard Support 2" Extension	1	1
21			Bag, Zip Lip (4" x 4")	1	1
22			Instruction Sheet, 2" Footboard Extension	1	1
23			Carton, Shipper	1	1
<p>NOTE: A - Includes items 2-12            B - When ordering a footboard assembly for the first time that requires a 2" extension kit, items 5, 8, 9, 11 and 13 must be ordered            C - Includes items 14-23</p>					

# Front Riggings Hangers Hemi



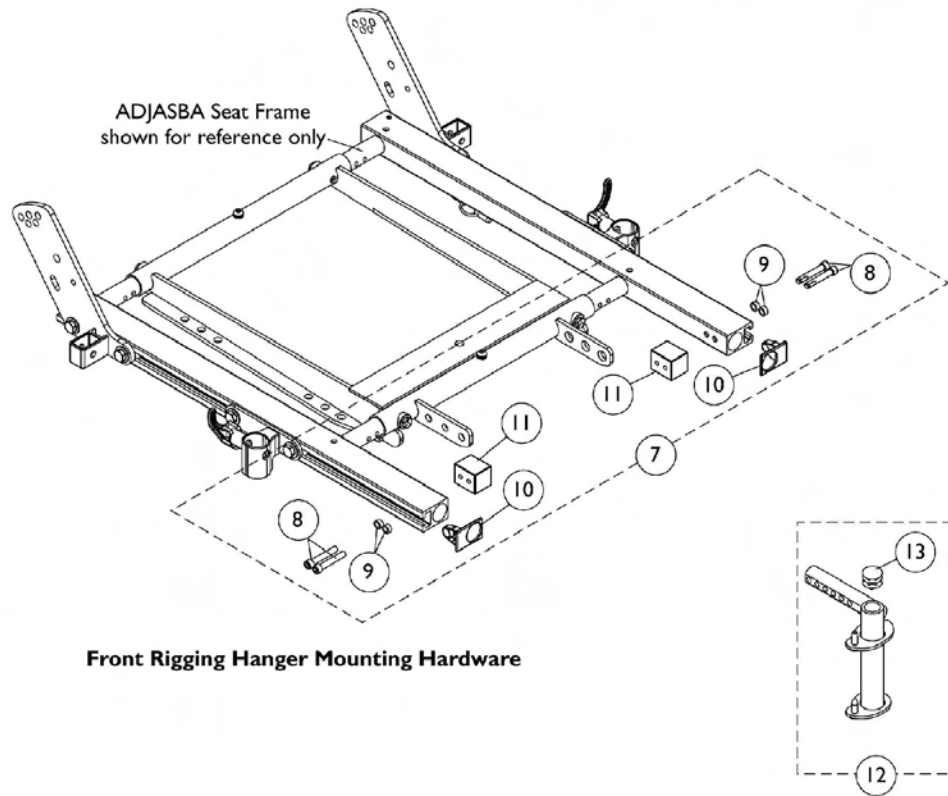
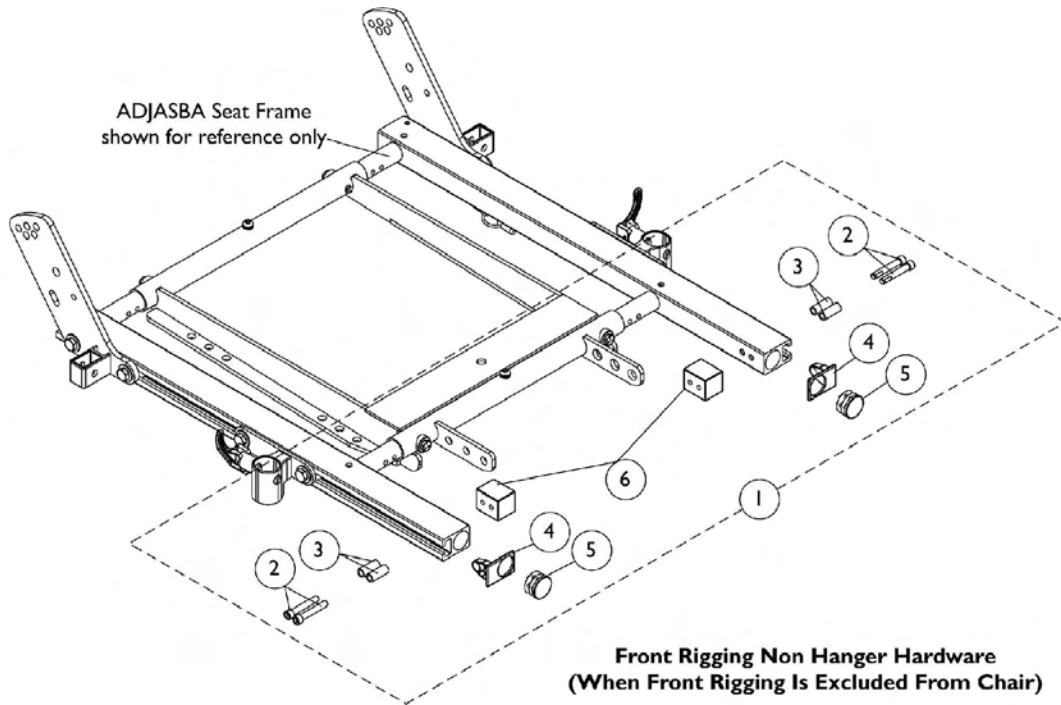
# Front Riggings Hangers Hemi

Item Number	Note	Part Number	Description	Quantity Per	
				Package	Assembly
1	A	1149192	Kit, Front Rigging Seat Support, 18"	1	1
2			Carton, Inner	1	1
3			Bracket, Front Rigging Hanger	1	2
4			Screw, Socket Button Head w/ Patch (1/4-20 x 3/4")	1	4
5			Washer (1/4 x 23/32 x 1/16")	1	4
1	F	1148879	Kit, Front Rigging Seat Support, 20"	1	1
3			Bracket, Front Rigging Hanger	1	2
4			Screw, Socket Button Head w/ Patch (1/4-20 x 3/4")	1	4
5			Washer (1/4 x 23/32 x 1/16")	1	4
6	B,D	1114997	Kit, Front Rigging Hanger Attachment	1	1
7			Bag, Poly Zip-Lip (13" Long x 9" Wide)	1	1
8			Instruction Sheet, Front Rigging Hanger	1	1
9			Front Rigging Hanger Assembly w/ Plug Button (Hemi) - Right	1	1
10			Front Rigging Hanger Assembly w/ Plug Button (Hemi) - Left	1	1
11			Carton, Shipper	1	1
12			Screw, Hex Head (1/4-20 x 1-1/2")	1	4
13			Spacer (1/4 x 3/8 x 3/16")	1	4
14			Locknut (1/4-20)	1	4
15	C,G	1113045	Kit, Front Rigging Hanger Hardware	1	1
16			Screw, Hex Head (1/4-20 x 1-1/2")	1	4
17			Spacer (1/4 x 3/8 x 3/16")	1	4
18			Locknut (1/4-20)	1	4
19			Bag, Zip Lip (4" x 4")	1	1
20	E,G	1114766	Front Rigging Hanger Pin Style with Plug Button (Hemi) (12-21" Deep) - Right	1	1
20	E,G	1114767	Front Rigging Hanger Pin Style with Plug Button (Hemi) (12-21" Deep) - Left	1	1
21	G	1027097	Plug Button, Black (3/4")	1	1

NOTE: A - For Office Style Seats 18". Includes items 2-5.  
 B - For Office Style Van Seats, Fold Down Style & Semi-Recline Van Seats. Includes items 7-14.  
 C - Includes items 16-19.  
 D - Items 5-7 and 15-17 can be ordered separately. Order item 15, part no. 1113045.  
 E - For ASBA Seats. Includes plug button item 21.  
 F - Includes Items 3-5. For Office Style Seats 20" Wide.  
 G - For chairs manufactured before April XX/08 with Center Post Mounting.

# Front Rigging Hanger Assembly

## ADJASBA After 4/29/08



## Front Rigging Hanger Assembly ADJASBA After 4/29/08

Item Number	Note	Part Number	Description	Quantity Per	
				Package	Assembly
1	A	1124723	Kit, Side Rail Cap Hardware (Pair)	1	1
2			Screw, Socket Head Cap w/ Patch (1/4-20 x 1-1/2")	1	4
3			Spacer (1/4 x 3/8 x 29/32")	1	4
4			Cap, Side Rail End	1	2
5			Plug Button, Black (1")	1	2
6			Block, Threaded	1	2
7	B	1125726	Kit, Front Rigging Hanger Mounting Hardware (Pair)	1	1
8			Screw, Socket Head Cap w/ Patch (1/4-20 x 1-1/2")	1	4
9			Spacer (1/4 x 3/8 x 3/16")	1	4
10			Cap, Side Rail End	1	2
11			Block, Threaded	1	2
12	C	1124401	Front Rigging Hanger Pin Style with Plug Button (Hemi) - Right	1	1
12	C	1124402	Front Rigging Hanger Pin Style with Plug Button (Hemi) - Left	1	1
13		1134426	Package, Plug Buttons, Black (3/4")	10	1
NOTE: A - Includes items 2-6 B - Includes items 8-11 C - Includes item 13					

# Front Rigging Reference Chart

## Support Assemblies

Front Rigging	Color Right	Color Left	Chrome Right	Chrome Left
PHW93	1114755	1114756	N/A	N/A
PH904A	8881114757 See Note(s) A	8881114758 See Note(s) A	N/A	N/A
PHAL4A	N/A	N/A	1114761	1114762

NOTE: A - Specify 34P Flat Black Frame Finish When Ordering.

### PHW93

#### Pivot Slide Tubes with Footplates

Chair Width	Aluminum (1650)	Deluxe Aluminum (1450)	Extra Large Aluminum (1350)	Adjustable Angle (AT5543)	Composite (1651)
16" Wide Right	1074149	1074151	1026395	1062756	1057869
16" Wide Left	1074150	1074152	1026396	1062757	1057870
17-20" Wide Right	1074149	1074151	1026395	1062756	1057879
17-20" Wide Left	1074150	1074152	1026396	1062757	1057880

NOTE: Pivot/ Slide Tube Mounting Hardware is Not Included.

### PHAL4A

#### Pivot Slide Tubes with Footplates

Chair Width	Aluminum (1650)	Deluxe Aluminum (1450)	Extra Large Aluminum (1350)
16-20" Wide Right	1023907	1023924	1035456
16-20" Wide Left	1023908	1023925	1035457

NOTE: Pivot/ Slide Tube Mounting Hardware is Not Included.

# Front Rigging Reference Chart

## PH904A

### Pivot Slide Tubes with Footplates

Chair Width	Aluminum (1650)	Deluxe Aluminum (1450)	Extra Large Aluminum (1350)
16-20" Wide Right	1058604	1028723	1058830
16-20" Wide Left	1058605	1028724	1058831

NOTE: Pivot/ Slide Tube Mounting Hardware is Not Included.

## PHW93 (2" and 4" Longer) Aluminum, Extra Large, and Adj. Angle

### Pivot Slide Tubes with Footplates

Footplate Type	16-20" Wide Right	16-20" Wide Left
Aluminum (1650) 2" Longer	1086494	1086497
Aluminum (1650) 4" Longer	1086495	1086498
Extra Large Aluminum (1350) 2" Longer	1086515	1086517
Extra Large Aluminum (1350) 4" Longer	1086516	1086518
Adjustable Angle (AT5543) 2" Longer	1062760	1062761

NOTE: Pivot/ Slide Tube Mounting Hardware is not Included.

## PHW93 (2" and 4" Longer) - Composite (1651)

### Pivot Slide Tubes with Footplates

Footplate Type	16" Wide Right	16" Wide Left	17-20" Wide Right	17-20" Wide Left
Composite (1651) 2" Longer	1057871	1057872	1057881	1057882
Composite (1651) 4" Longer	1058421	1058422	1058423	1058424

NOTE: Pivot/ Slide Tube Mounting Hardware is not Included.



# Front Rigging Reference Chart

PH904A (2" and 4" Longer)

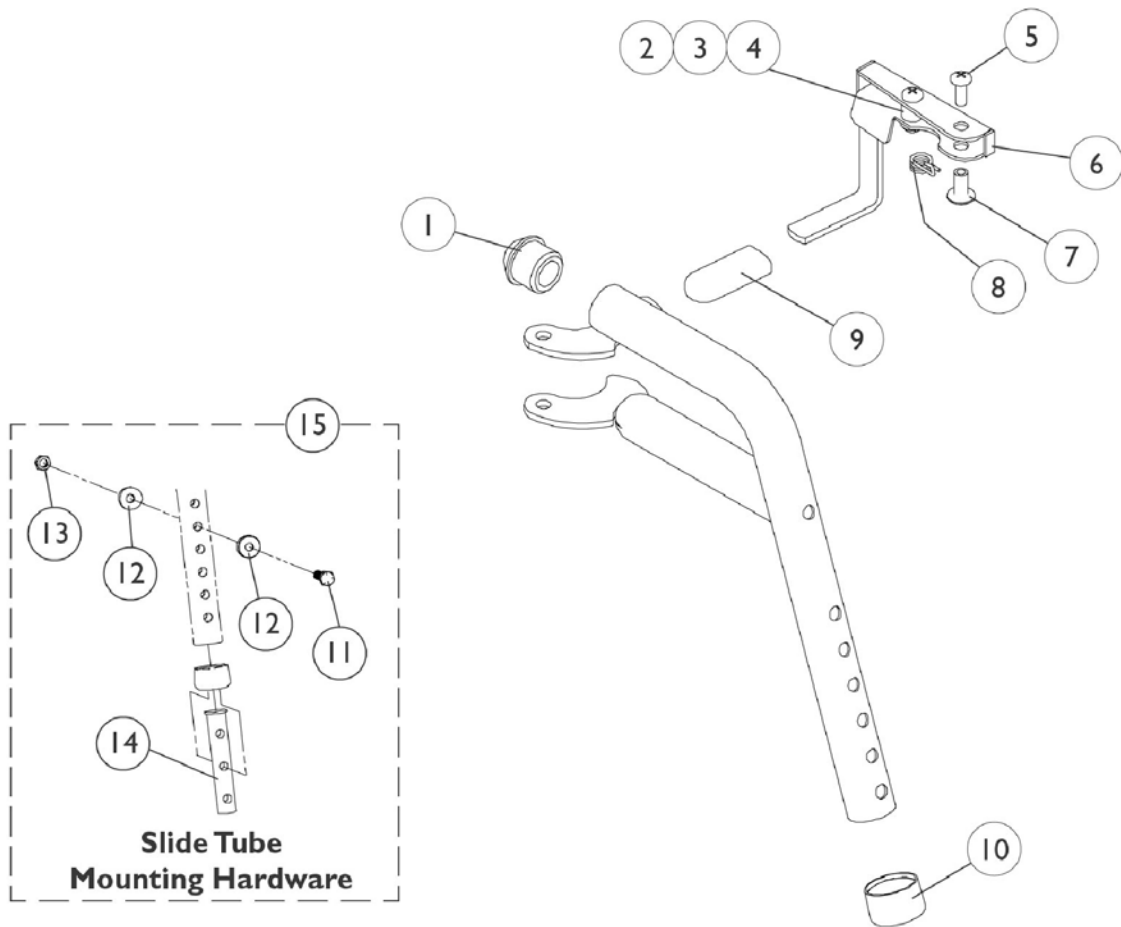
Pivot Slide Tubes with Footplates

Footplate Type	16-20" Wide Right	16-20" Wide Left
Aluminum (1650) 2" Longer	1086529	1086531
Aluminum (1650) 4" Longer	1086530	1086532
Extra Large Aluminum (1350) 2" Longer	1086541	1086551
Extra Large Aluminum (1350) 4" Longer	1086542	1086552

NOTE: Pivot/ Slide Tube Mounting Hardware is Not Included.

# PHW93 (Hemi) Footrest Supports Black

For complete Footrest Support Assembly part nos., see Front Riggings Reference chart.



# PHW93 (Hemi) Footrest Supports Black

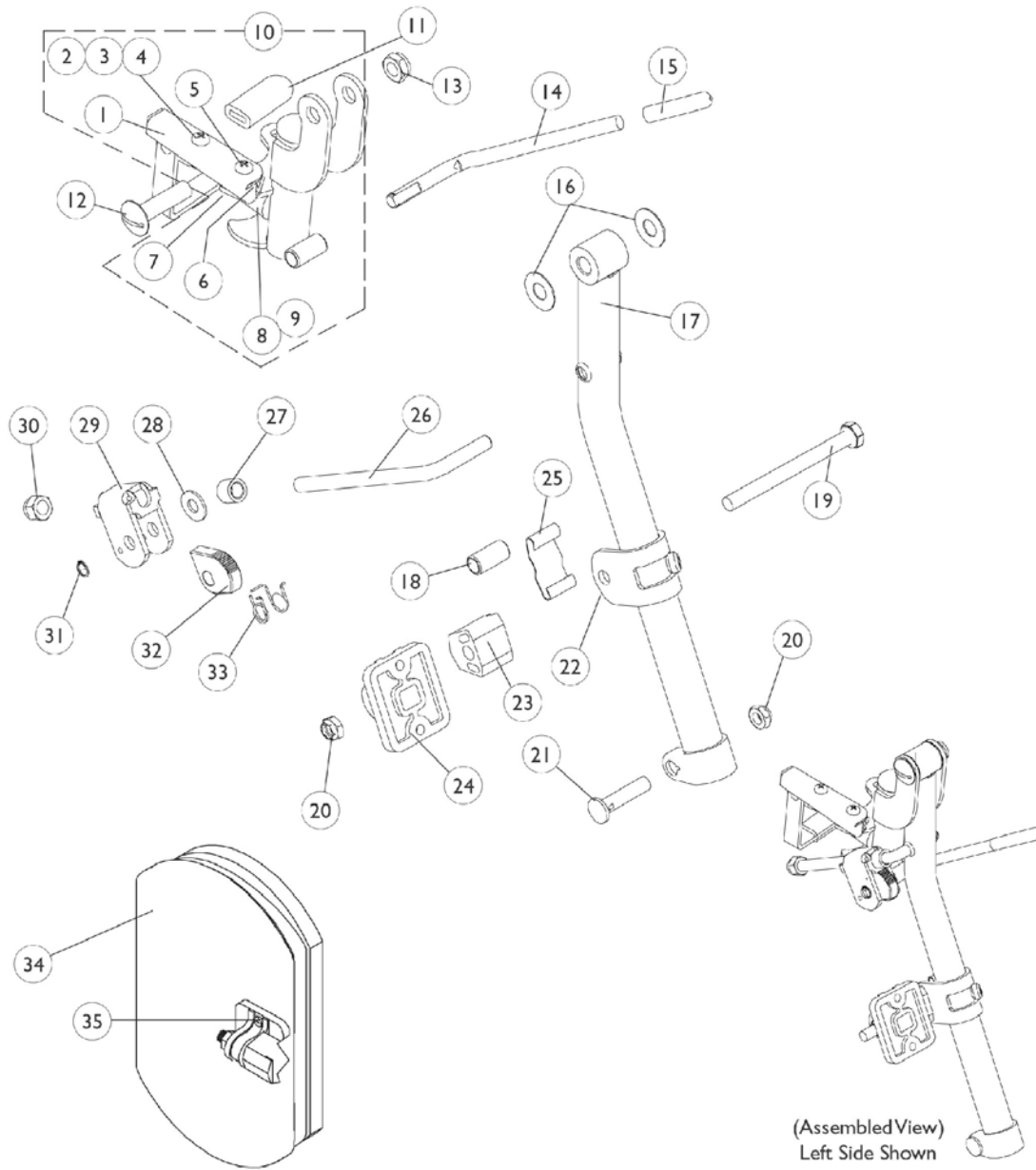
For complete Footrest Support Assembly part nos., see Front Riggings Reference chart.

Item Number	Note	Part Number	Description	Quantity Per	
				Package	Assembly
1		1020719	Anti-Rattle, Black	1	1
2		1025716	Screw, Phillips Pan Head (#10-32 x 11/16")	1	1
3		47565X057	Bushing (7/32 x 3/8 x 11/32")	1	1
4		1025735	Locknut (#10-32)	1	1
5		1026114	Screw, Phillips Pan Head (#10-32 x 1/2")	1	1
6	A	1114749	Release Handle (Black) - Right	1	1
6	A	1114750	Release Handle (Black) - Left	1	1
7		1028846	Rivnut (#10-32)	1	1
8		1028707	Spring, Release - Right	1	1
8		1028708	Spring, Release - Left	1	1
9		1006490	Tip, Plastic, Black	1	1
10		15680X012	Collar, Anti-Rattle (7/8")	1	1
11		1070759	Screw, Hex Head (1/4-20 x 1-1/2")	1	1
12		1026099	Spacer, Coved (1/4 x 11/16 x 1/2")	1	2
13		1044214	Nut, Hex with Nylon Cap (1/4-20)	1	1
14		1020534	Insert, Threaded	1	1
15		1074143	Kit, Slide Tube Mounting Hardware	1	1
	B	1114755	Footrest Support Assembly, Hemi, Black - Right	1	1
	B	1114756	Footrest Support Assembly, Hemi, Black - Left	1	1

NOTE: A - Includes items 2-4  
B - Not Shown

# PH904A (Hemi) Legrest Supports

For complete Legrest Support Assembly part nos., see Front Riggings Reference chart.



# PH904A (Hemi) Legrest Supports

For complete Legrest Support Assembly part nos., see Front Riggings Reference chart.

Item Number	Note	Part Number	Description	Quantity Per	
				Package	Assembly
1	D	1114749	Release Handle (Black) - Right	1	1
1	D	1114750	Release Handle (Black) - Left	1	1
2		1025716	Screw, Phillips Pan Head (#10-32 x 11/16")	1	1
3		47565X057	Bushing (7/32 x 3/8 x 11/32")	1	1
4		1025735	Locknut (#10-32)	1	1
5		1026114	Screw, Phillips Pan Head (#10-32 x 1/2")	1	1
6		1008935	Spring, Release - Right	1	1
6		1008936	Spring, Release - Left	1	1
7		67005X000	Rivnut (#10-32)	1	1
8		1030979	Screw, Phillips Pan Head Tap (#10-32 x 3/4")	1	1
9		1022874	Bumper	1	1
10	E	1114753	Support Bracket Assembly, Legrest (Black) - Right	1	1
10	E	1114754	Support Bracket Assembly, Legrest (Black) - Left	1	1
11		1006490	Tip, Plastic, Black	1	1
12		11919X000	Screw, Truss Head (3/8-16 x 1-1/2")	1	1
13		40363X000	Hex Nut (3/8"-16)	1	1
14		1037126	Handle, Release	1	1
15		1040060	Tip, Black Plastic	1	1
16		1058636	Washer, Nylon (25/64 x 7/8 x 1/32")	1	2
17	A	8881048851	Tube, Elevating Support (Color) - Right	1	1
17	A	8881048852	Tube, Elevating Support (Color) - Left	1	1
18		47328X003	Bushing, Pivot (5/16 x 7/16 x 7/8")	1	1
19		1037110	Screw, Hex Head (5/16-24 x 3-1/2")	1	1
20		1025730	Locknut (5/16-24)	1	2
21		1026030	Screw, Lug (5/16-24 x 1-3/8")	1	1
22		1110207	Bracket, Calf Pad, Black	1	1
23		1025133	Spacer, Legrest Pad	1	1
24		04526X019	Plate, Legrest Pad	1	1
25		48823X008	Spring, Leaf	1	1
26		1113030	Bar, Ratchet	1	1
27		47330X003	Spacer (5/16 x 1/2 x 3/8")	1	2
28		1013519	Washer, Nylon (5/16 x 11/16 x 1/16")	1	1
29		04528X002	Bracket, Release (Chrome)	1	1
30		10261X000	Acorn Nut (5/16"-24)	1	1
31		1040831	Snap Ring	1	1
32		1037125	Cam, Legrest	1	1
33		1037485	Spring, Release	1	1
34	B	8881091764	Pad, Legrest Vinyl - Right/Left	1	1
35		1068649	Screws, Phillips Head (#10-32 x 11/16")	2	1
	A,C	8881114757	Legrest Support Assembly, Hemi, Color - Right	1	1
	A,C	8881114758	Legrest Support Assembly, Hemi, Color - Left	1	1

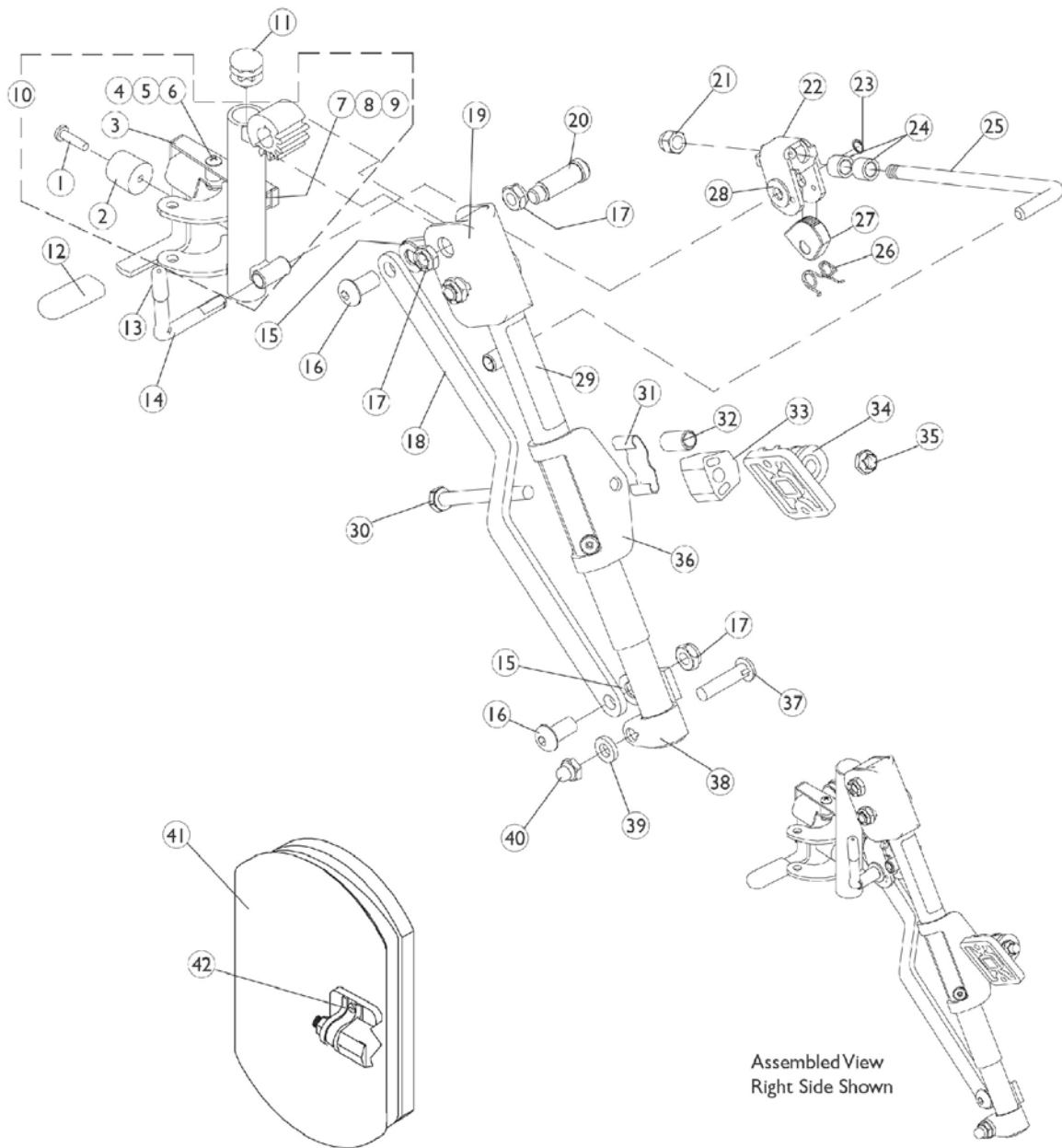
# PH904A (Hemi) Legrest Supports

For complete Legrest Support Assembly part nos., see Front Riggings Reference chart.

NOTE: A - Specify 34P flat black frame finish when ordering  
B - Specify upholstery color U67 black when ordering  
C - Not Shown  
D - Includes items 2-4  
E - Includes items 1-9

# PHAL4A (Hemi) Articulating Legrest Supports Chrome

For complete Legrest Support Assembly part nos., see Front Riggings Reference chart.



# PHAL4A (Hemi) Articulating Legrest Supports Chrome

For complete Legrest Support Assembly part nos., see Front Riggings Reference chart.

Item Number	Note	Part Number	Description	Quantity Per	
				Package	Assembly
1		1030979	Screw, Phillips Pan Head Tap (#10-32 x 3/4")	1	1
2		1022874	Bumper	1	1
3	C	1114751	Release Handle (Chrome) - Right	1	1
3	C	1114752	Release Handle (Chrome) - Left	1	1
4		47565X057	Bushing (7/32 x 3/8 x 11/32")	1	1
5		60279X003	Locknut (#10-32)	1	1
6		40163X008	Screw, Phillips Pan Head (#10-32 x 11/16")	1	1
7		1008935	Spring, Release - Right	1	1
7		1008936	Spring, Release - Left	1	1
8		67005X000	Rivnut (#10-32)	1	1
9		40163X002	Screw, Phillips Round Head (#10-32 x 1/2")	1	1
10	D	1114759	Tube, Legrest Support (Chrome) Hemi - Right	1	1
10	D	1114760	Tube, Legrest Support (Chrome) Hemi - Left	1	1
11		1027097	Plug Button, Black (3/4")	1	1
12		1006490	Tip, Plastic, Black	1	1
13		1040060	Tip, Black Plastic	1	1
14		1037126	Handle, Release	1	1
15		1049527	Washer, Nylon (3/8 x 3/4 x 1/16")	1	2
16		1022866	Screw, Socket Button Head (3/8-16 x 3/4")	1	2
17		40363X000	Hex Nut (3/8"-16)	1	3
18		1022846	Bar, Link, Chrome	1	1
19		1022877	Tube Support and Drive Link - Right	1	1
19		1022878	Tube Support and Drive Link - Left	1	1
20		1022854	Screw, Slotted Head Shoulder (1/2 x 1-1/8")	1	1
21		10261X000	Acorn Nut (5/16"-24)	1	1
22		04528X002	Bracket, Release (Chrome)	1	1
23		1040831	Snap Ring	1	1
24		47328X003	Bushing, Pivot (5/16 x 7/16 x 7/8")	1	2
25		42326X004	Bar, Ratchet - Right/Left	1	1
26		1037485	Spring, Release	1	1
27		1037125	Cam, Legrest	1	1
28		1013519	Washer, Nylon (5/16 x 11/16 x 1/16")	1	1
29		1024911	Decal, Smartleg	1	1
30		1014807	Screw, Hex Head (5/16-24 x 3-1/4")	1	1
31		48823X008	Spring, Leaf	1	1
32		47328X003	Bushing, Pivot (5/16 x 7/16 x 7/8")	1	1
33		1025133	Spacer, Legrest Pad	1	1
34		04526X019	Plate, Legrest Pad	1	1
35		60264X001	Locknut (5/16-24)	1	1
36		1025104	Bracket, Legrest (Chrome)	1	1
37		11232X009	Screw, Lug (5/16-24 x 1-3/8")	1	1
38		1022848	Slide Tube, Articulating (Chrome) - Right	1	1



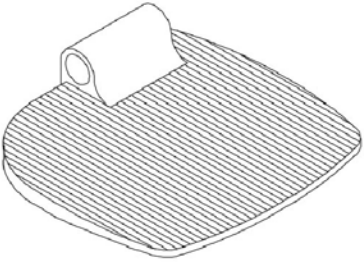
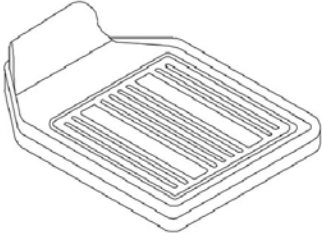
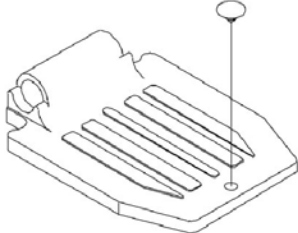
# PHAL4A (Hemi) Articulating Legrest Supports Chrome

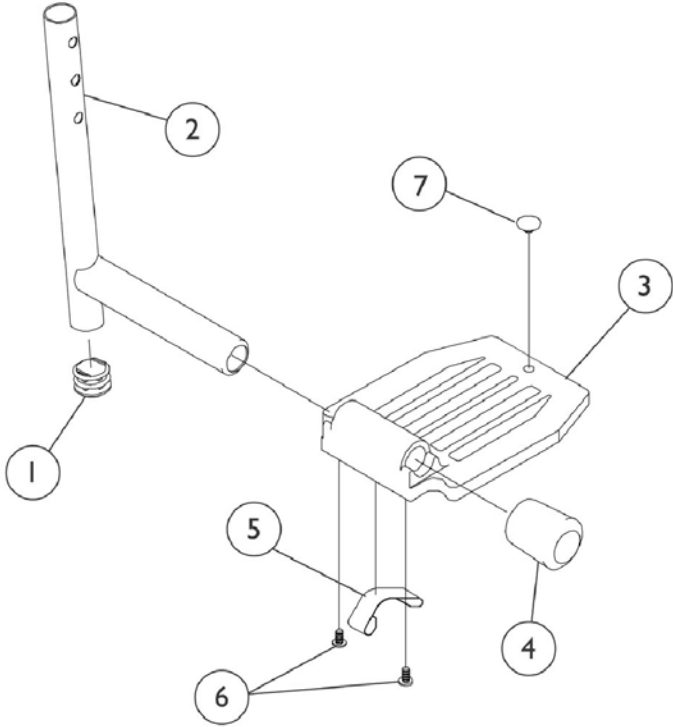
For complete Legrest Support Assembly part nos., see Front Riggings Reference chart.

Item Number	Note	Part Number	Description	Quantity Per	
				Package	Assembly
38		1022849	Slide Tube, Articulating (Chrome) - Left	1	1
39		1027377	Washer (#20)	1	1
40		1107321	Nut, Low Cap (5/16"-24)	1	1
41	A	8881091764	Pad, Legrest Vinyl - Right/Left	1	1
42		1068649	Screws, Phillips Head (#10-32 x 11/16")	2	1
	B	1114761	Legrest Support Assembly, Articulating, Hemi, Chrome - Right	1	1
	B	1114762	Legrest Support Assembly, Articulating, Hemi, Chrome - Left	1	1
NOTE: A - Specify upholstery color U67 black when ordering. B - Not Shown C - Includes items 4-6 D - Includes items 1-9					

# Pivot/Slide Tube and Footplate PHW93

**Heel loops are not included. See footrest and legrest accessories.  
For complete pivot/slide tube and footplate assemblies, see Front Riggings Reference chart.**

		
<p><b>1350</b> Extra large</p>	<p><b>1450</b> Deluxe</p>	<p><b>1650</b> Standard Aluminum</p>



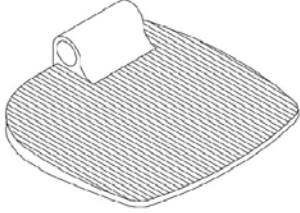
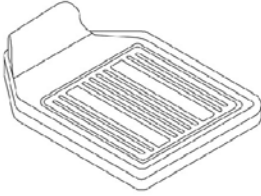
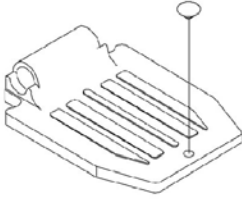
## Pivot/Slide Tube and Footplate PHW93

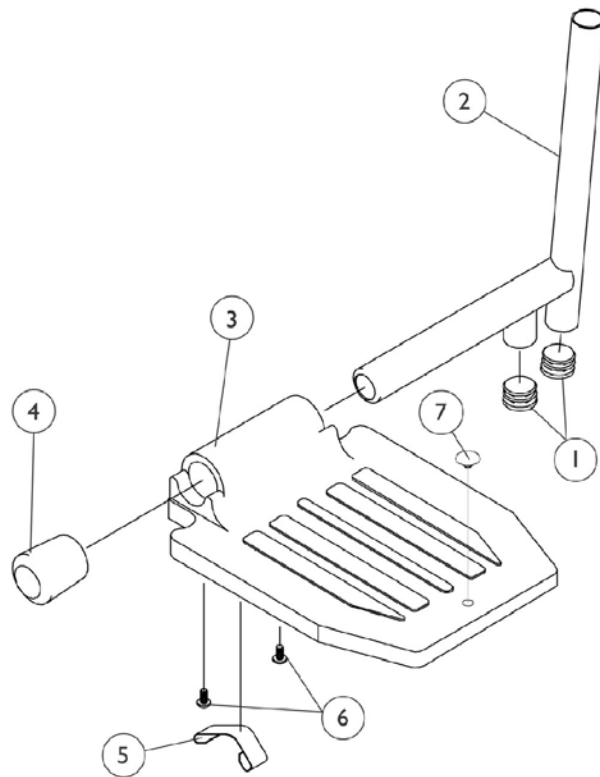
**Heel loops are not included. See footrest and legrest accessories.  
For complete pivot/slide tube and footplate assemblies, see Front Riggings Reference chart.**

Item Number	Note	Part Number	Description	Quantity Per	
				Package	Assembly
1		1027097	Plug Button, Black (3/4")	1	2
2	C,A	1048834	Pivot/Slide Tube with Plug Button	1	1
2	C,A	1098906	Pivot/Slide Tube with Plug Button - 2" Longer	1	1
2	C,A	1086482	Pivot/Slide Tube with Plug Button - 4" Longer	1	1
2	B	1070762	Pivot/Slide Tube with Plug Button, Deluxe Aluminum	1	1
3	A	44200X027	Footplate, Aluminum - Medium (7-3/4" W x 6" L)	1	1
3	B	1043659	Footplate, Aluminum - Deluxe (8" W x 5-3/4" L) - Right	1	1
3	B	1043660	Footplate, Aluminum - Deluxe (8" W x 5-3/4" L) - Left	1	1
3	C	44200X025	Footplate, Aluminum - Extra Large (8" W x 8-1/2" L) - Right	1	1
3	C	44200X026	Footplate, Aluminum - Extra Large (8" W x 8-1/2" L) - Left	1	1
4	A	1016346	Cap, Tube End (7/8")	1	1
4	C	1027095	Plug Button, Black (7/8")	1	1
5	D,A	1006981	Spring, Leaf	1	2
5	B,D	1036120	Spring	1	2
5	C	1036123	Spring, Leaf	1	1
6	E	40120X001	Screw, Phillips Pan Head (#8-32 x 3/8")	1	2
7		1070168	Push Plug, Footplate	1	1
NOTE: A - Standard Aluminum (1650) B - Deluxe Aluminum (1450) C - Extra Large Aluminum (1350) D - Two per side E - Deluxe takes one					

# Pivot/Slide Tube and Footplates PH904A and PHAL4A

Heel loops are not included. See footrest and legrest accessories.  
For complete pivot/slide tube and footplate assemblies, see Front Riggings Reference chart.

		
1350 Extra large	1450 Deluxe	1650 Standard Aluminum



# Pivot/Slide Tube and Footplates

## PH904A and PHAL4A

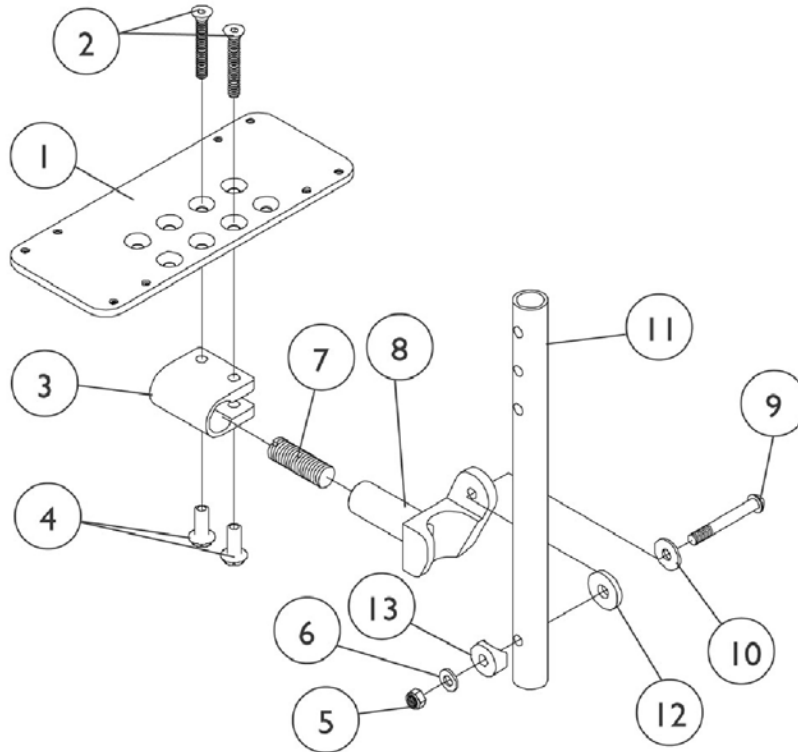
Heel loops are not included. See footrest and legrest accessories.

For complete pivot/slide tube and footplate assemblies, see Front Riggings Reference chart.

Item Number	Note	Part Number	Description	Quantity Per	
				Package	Assembly
1		1027097	Plug Button, Black (3/4")	1	2
2	B,D,A	1100568	Pivot/Slide Tube with Plug Button (Black)	1	1
2	B,D,A	1100569	Pivot/Slide Tube with Plug Button Extra Large and Standard Aluminium - 2" Longer	1	1
2	B,D,A	1100570	Pivot/Slide Tube with Plug Button - 4" Longer	1	1
2	B,E,A	1041526	Pivot/Slide Tube with Plug Button (Steel)	1	1
2	C,D	1100571	Pivot/Slide Tube with Plug Button - Deluxe	1	1
2	C,E	1023804	Pivot/Slide Tube w/ Plug Button	1	1
3	A	44200X027	Footplate, Aluminum - Medium (7-3/4" W x 6" L)	1	1
3	C	1043659	Footplate, Aluminum - Deluxe (8" W x 5-3/4" L) - Right	1	1
3	C	1043660	Footplate, Aluminum - Deluxe (8" W x 5-3/4" L) - Left	1	1
3	B	44200X025	Footplate, Aluminum - Extra Large (8" W x 8-1/2" L) - Right	1	1
3	B	44200X026	Footplate, Aluminum - Extra Large (8" W x 8-1/2" L) - Left	1	1
4	A	1016346	Cap, Tube End (7/8")	1	1
4	B	1027095	Plug Button, Black (7/8")	1	1
5	A	1006981	Spring, Leaf	1	1
5	C,F	1036120	Spring	1	1
5	B	1036123	Spring, Leaf	1	1
6	G	40120X001	Screw, Phillips Pan Head (#8-32 x 3/8")	1	2
7		1070168	Push Plug, Footplate	1	1
NOTE: A - Standard Aluminum (1650) B - Extra Large Aluminum (1350) C - Deluxe Aluminum (1450) D - PH904A E - PHAL4A F - Two per side G - Deluxe takes one					

# AT5543 Adjustable Angle Footplates PHW93

Heel Loops are not included. See footrest and legrest accessories.  
For complete pivot/slide tube and footplate assemblies, see Front Riggings Reference charts.



# AT5543 Adjustable Angle Footplates PHW93

Heel Loops are not included. See footrest and legrest accessories.

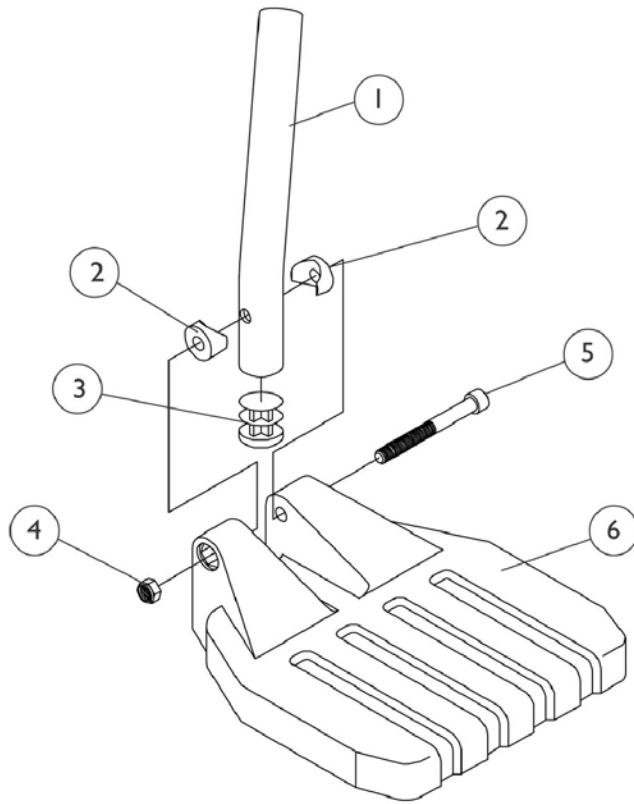
For complete pivot/slide tube and footplate assemblies, see Front Riggings Reference charts.

Item Number	Note	Part Number	Description	Quantity Per	
				Package	Assembly
1		1062569	Footplate, Adjustable Angle - X-Large (6-1/4" W x 8" L)	1	1
2		1029545	Screw, Socket Head Cap (1/4-20 x 3/4")	1	2
3		1058517	Clamp, Footplate	1	1
4		1082686	Nut, Hex Head (1/4-20 x 11/16")	1	2
5		1025736	Locknut (1/4-20)	1	1
6		1026907	Washer (1/4 x 1/2 x 1/16")	1	1
7		1048816	Screw, Nylon Adjustment (1/2-13 x 7/8")	1	1
8		1052102	Hinge, Footplate - Right	1	1
8		1052103	Hinge, Footplate - Left	1	1
9		1022831	Screw, Socket Button Head (1/4-20 x 1-7/8")	1	1
10		1026900	Washer (1/4 x 23/32 x 1/16")	1	1
11		1057855	Pivot/Slide Tube, Straight (9-7/8" Long - Steel)	1	1
11		1057856	Pivot/Slide Tube, Straight (11-7/8" Long - Steel)	1	1
12		1016301	Washer, Nylon (5/16 x 7/8 x 1/8")	1	1
13		1025457	Spacer, Coved (1/4 x 3/4 x 11/32")	1	1

# Pivot/Slide Tube and Composite Footplate PHW93

**NOTE:** Heel Loops are not included. See Footrest and Legrest Accessories.

**NOTE:** For complete pivot slide tube and footplate assemblies, see Front Riggings Reference chart.



Item Number	Note	Part Number	Description	Quantity Per	
				Package	Assembly
1		1057852	Pivot/Slide Tube, Curved End (9-7/8") (Steel)	1	1
2		1025457	Spacer, Coved (1/4 x 3/4 x 11/32")	1	2
3		1027097	Plug Button, Black (3/4")	1	1
4		1025195	Locknut (1/4-20)	1	1
5		60285X006	Screw, Socket Head Cap (1/4-20 x 2-1/4")	1	1
6		1026879	Footplate, Composite - Small (6" W x 6" L)	1	1
6		1026880	Footplate, Composite - Medium (7" W x 6" L)	1	1
6		1026881	Footplate, Composite - Large (8" W x 6" L)	1	1



# Footrest and Legrest Accessories

## Heel Loops and Hardware (Less AT5543)

Footplate Type	Chair Width	Heel Loop Single #	Heel Loop Pair #	Heel Loop w/ Ankle Strap Single # Rt.	Heel Loop w/ Ankle Strap Single # Lt.	Heel Loop w/ Ankle Strap Pair #	Attaching Hardware Pair #
Standard Aluminum (1650)	16-20" W	1017621	1035917	1035919	1035920	1035918	1035907
Deluxe Aluminum (1450)	16-20" W	1017621	1035917	1035919	1035920	1035918	1086112
X-Large Aluminum (1350)	16-20" W	1017621	1035917	1035919	1035920	1035918	1055241
Composite (1651)	16" Wide	1017621	1035917	1035919	1035920	1035918	1035931
Composite (1651)	17-20" Wide	1017621	1035917	1035932	1035933	1035930	1035931

## Attaching Hardware Part Numbers

(Less AT5543)

Footplate Type	Part Number	Part Number Consists of
Standard Aluminum (1650)	1035907	2 each Screw, PPH (1/4-20 x 2-1/2") 2 each Spacer (1/4 x 11/32 x 1-3/4") 2 each Locknut (1/4-20)
Deluxe Aluminum (1450)	1086112	2 each Screw, PPH (1/4-20 x 2-1/2") 2 each Spacer (1/4 x 11/32 x 1-3/4") 2 each Locknut (1/4-20)
X-Large Aluminum (1350)	1055241	2 each Screw, PPH (1/4-20 x 2-1/4") 2 each Spacer (1/4 x 11/32 x 1-3/4") 2 each Locknut (1/4-20)
Composite (1651)	1035931	2 each Screw, PPH (1/4-20 x 2-1/4") 2 each Spacer (1/4 x 11/32 x 1-3/4") 2 each Locknut (1/4-20)

# Footrest and Legrest Accessories

## Heel Loops/ Heel Loops w/ Ankle Straps and Hardware

(For AT5543)

Footplate Type	Part Number	Part Number Consists of
AT5543 Adj. Angle	1038245 Heel Loops w/ Hardware Adjustable Angle Footplate (Pair)	2 each Heel Loops 4 each Screw, SHC (10-32 x 1-1/2") 4 each Spacer (1/4 x 5/16 x 1-3/32") 4 each Washer (3/16 x 7/16 x 1/16")
AT5543 Adj. Angle	1038246 Heel Loops w/ Ankle Straps & Hardware Adjustable Angle Footplate (Pair)	2 each Heel Loops w/ Ankle Straps 4 each Screw, SHC (10-32 x 1-1/2") 4 each Spacer (1/4 x 5/16 x 1-3/32") 4 each Washer (3/16 x 7/16 x 1/16")

## Toe Loops (1345) and Attaching Hardware

Footplate Type	Toe Loop w/o Hardware Single #	Toe Loop w/o Hardware Pair #	Attaching Hardware Part Number	Attaching Hardware Consists of
1650, 1450, 1350, Footplates	04572X025	1037087	1037089	4 each Screw, PPH (10-32 x 7/8") 4 each Washer (1/4 x 3/4 x 3/32") 4 each Locknut (10-32)
AT5543 Footplates	04572X025	1037087	1104749	4 each Screw, PPH (10-32 x 1/2") 4 each Washer (1/4 x 3/4 x 3/32")

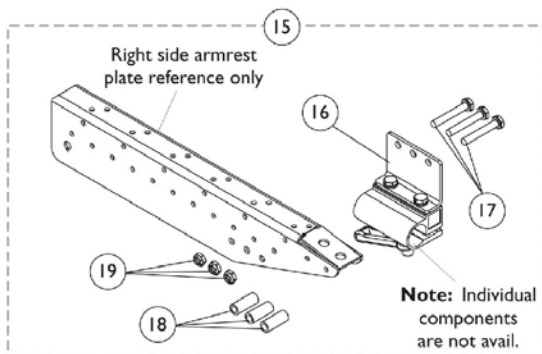
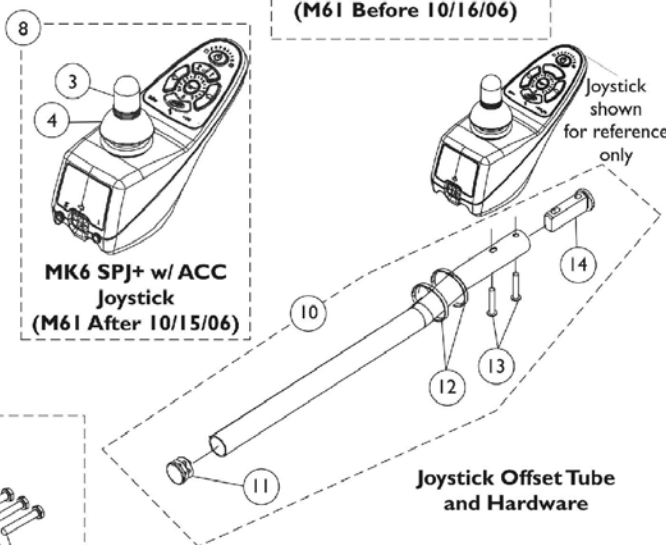
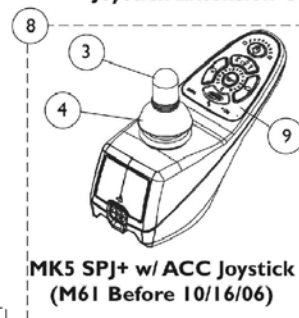
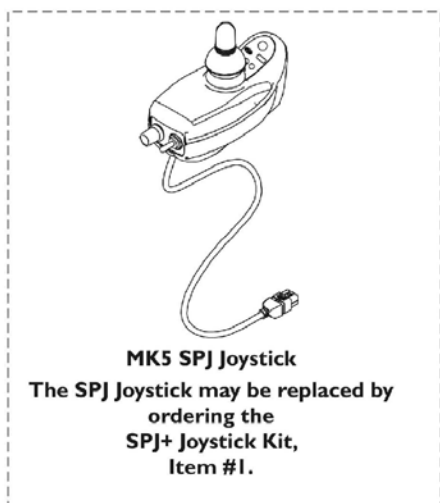
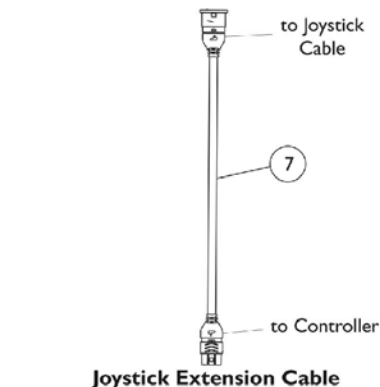
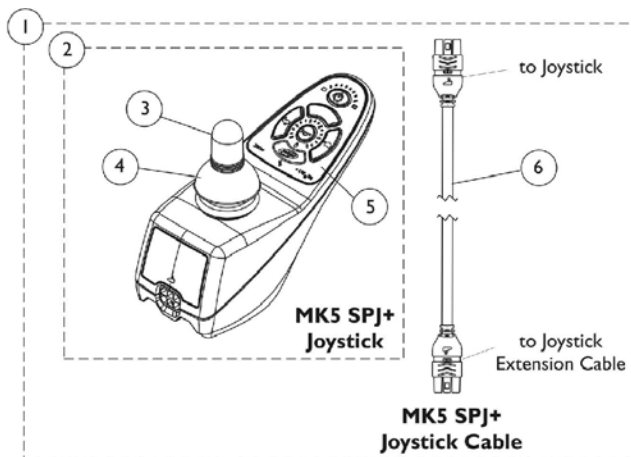
## Footrest and Legrest Accessories

Item Number	Note	Part Number	Description	Quantity Per	
				Package	Assembly
	A,C	1032243	Calf Strap w/ Hook and Loop (36" Long)	1	1
	A,D	1032215	H-Strap, 26" Long	1	1
	A,E	1032216	H-Strap, 31" Long	1	1
	A	1026987	Impact Guard, 8" Long	1	2
	A	See Chart	Attaching Hardware Part Numbers	1	1
	A	See Chart	Heel Loops and Hardware (Less AT5543)	1	1
	A	See Chart	Heel Loops/ Heel Loops w/ Ankle Straps and Hardware AT5543	1	1
	A	See Chart	Toe Loops and Hardware	1	1
NOTE: A - Not Shown C - 16"-24" Wide D - 16" Wide E - 17"-24" Wide					

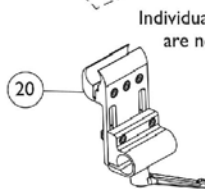
# Electronics - MK5 SPJ/SPJ+/ACC and MK6i SPJ+ ACC Joysticks and Mounting Hardware

The SPJ+ Joystick plus Cable Kit replaces the SPJ Joystick after 10/31/07.

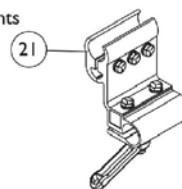
Note: For Joystick & Hardware used on the M51 w/ Formula CG Tilt, refer to MK6i parts catalog Form # 06-110.



Van Seat Joystick Offset Tube Mounting Hardware



ASBA Seat, Adjustable Height Joystick Offset Tube Clamp Assembly



ASBA Seat, Fixed Height Joystick Offset Tube Clamp Assembly

# Electronics - MK5 SPJ/SPJ+/ACC and MK6i SPJ+ ACC Joysticks and Mounting Hardware

The SPJ+ Joystick plus Cable Kit replaces the SPJ Joystick after 10/31/07.

Note: For Joystick & Hardware used on the M51 w/ Formula CG Tilt, refer to MK6i parts catalog Form # 06-110.

Item Number	Note	Part Number	Description	Quantity Per	
				Package	Assembly
1	A,B,J	1153650	Kit, SPJ+ Joystick w/ Cable	1	1
2			Joystick, SPJ+	1	1
3			Knob, Joystick	1	1
4			Skirt, Joystick	1	1
5			Overlay, SPJ+ Joystick	1	1
6			Cable, Joystick SPJ+	1	1
7		1116404	Cable, Joystick Extension	1	1
		1116394	Joystick, MK5 SPJ	1	1
8	C,K,K1, L	1127289	Joystick, MK5/MK6i SPJ+ w/ ACC	1	1
3		1040217	Knob, Joystick	1	1
4		1040218	Skirt, Joystick	1	1
5	F,J	1151384	Overlay, SPJ+ Joystick	1	1
6		1127293	Cable, Joystick SPJ+	1	1
7		1116404	Cable, Joystick Extension	1	1
8		1127289	Joystick, MK5/MK6i SPJ+ w/ ACC	1	1
9	G	1151385	Overlay, SPJ+ w/ACC Joystick	1	1
10	E	1117464	Kit, 2" Offset Joystick Tube with Hardware	1	1
11			Plug Button, Black (7/8")	1	1
			Tube, Joystick 2" Offset	1	1
12			Cable Tie (11-1/2" Long)	1	1
13			Screw, Phillips Pan Head (#10-32 x 1-1/8")	1	2
14			Spacer, Joystick Tube	1	1
10	H	1093069	Kit, 1/2" Offset Joystick Tube with Hardware	1	1
11		1130582	Package, Plug Buttons, Black (7/8")	10	1
12		1095502	Package, Cable Ties (11-1/2" Long)	10	1
13		1025714	Screw, Phillips Pan Head (#10-32 x 1-1/8")	1	2
14		1093063	Spacer, Joystick Tube	1	1
15	M	1115000	Kit, Joystick Tube Mounting Hardware - Captain/ Van Seat	1	1
16		1105049	Clamp Assembly, Captain/Van Seat	1	1
17		1037610	Screw, Hex Head (1/4-20 x 1-5/8")	1	3
18		1087219	Spacer (1/4 x 3/8 x 1")	1	3
19		1025195	Locknut (1/4-20)	1	3
20	I	1139422	Clamp, Height Adjustable Joystick Tube (ARM250)	1	1
21		1093071	Clamp, Fixed Height Joystick Tube	1	1
	D	1006270	Joystick Extension - "T" Style (1560) (4" Wide x 5-1/2" Long)	1	1
	D	1006271	Joystick Extension - Straight Style (1561) (1/2" Wide x 5" Long)	1	1

# Electronics - MK5 SPJ/SPJ+/ACC and MK6i SPJ+ ACC Joysticks and Mounting Hardware

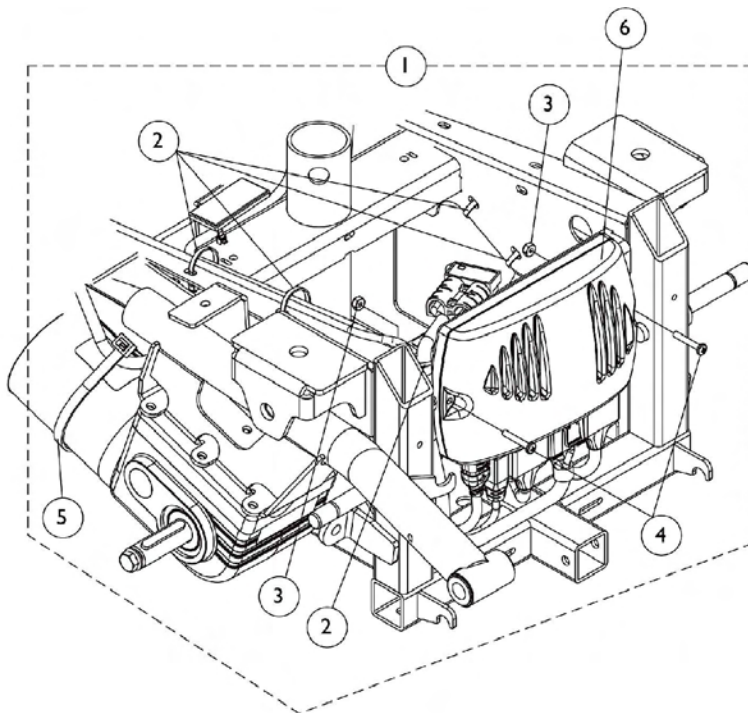
The SPJ+ Joystick plus Cable Kit replaces the SPJ Joystick after 10/31/07.

**Note: For Joystick & Hardware used on the M51 w/ Formula CG Tilt, refer to MK6i parts catalog Form # 06-110.**

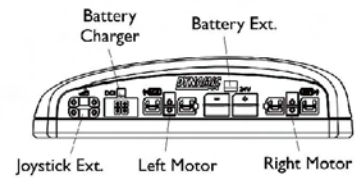
NOTE:

- A - Used on M50 and M51 models
- B - Includes joystick and items 2 - 6
- C - Used on M61 models only.
- D - Not Shown
- E - Used on chairs with Van Seats. Includes item 11 - 14
- F - Used on MK5 SPJ+ only.
- G - Used on SPJ+ w/ ACC only.
- H - Used on chairs with A.S.B.A. seats. Includes items 6-10.
- I - Introduced as an option (ARM250) and can be used to replace a Fixed Height Joystick Clamp
- J - SPJ+ joystick was introduced to the M51 models on 8/16/05.
- K - MK5 SPJ+ w/ ACC Before 10/16/06 did not contain phono ports. After 10/15/06 part # 1127289 Joystick was revised to function MK5 and MK6i applications. Phono ports were added and the Decal Overlay was revised to say MK6i SPJ+ w/ACC.
- K1 - The revised MK5/MK6i SPJ+ w/ACC Joystick is backward compatible for chairs manufactured before 10/16/06 equipped with MK5 electronics.
- L - Includes Joystick & items 2-3 & 21.
- M - Includes items 16 - 19.

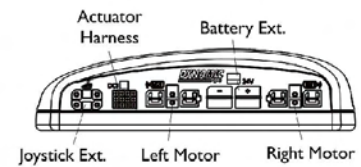
# Electronics - MK5 NX Controllers and Battery Chargers



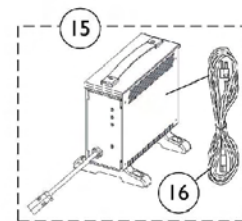
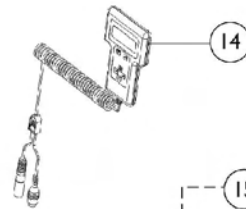
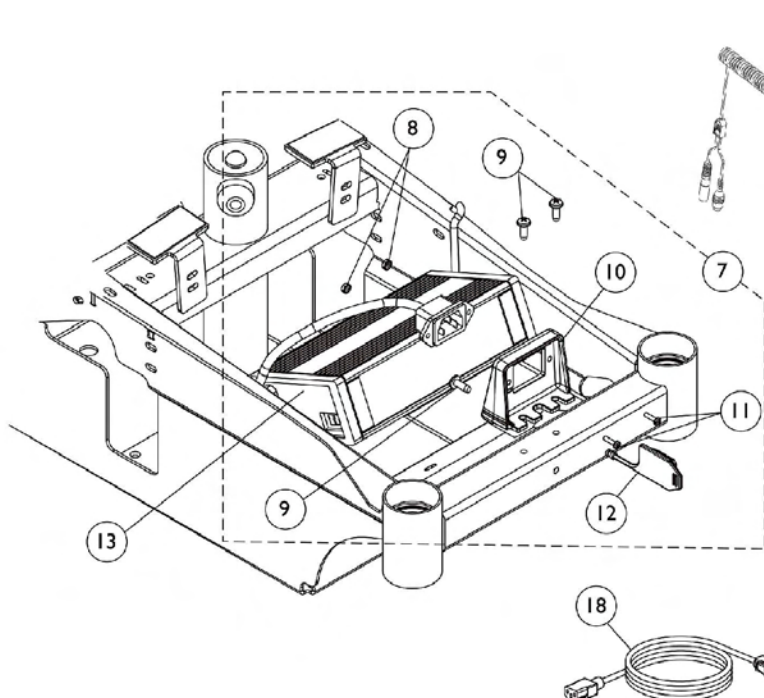
## Controller Connections



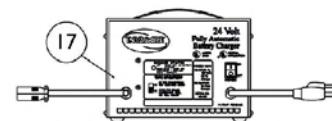
## Controller for Non-Elevating Seat



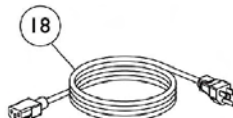
## Controller for Elevating Seat



CTE Battery Charger



Lester Battery Charger



## Electronics - MK5 NX Controllers and Battery Chargers

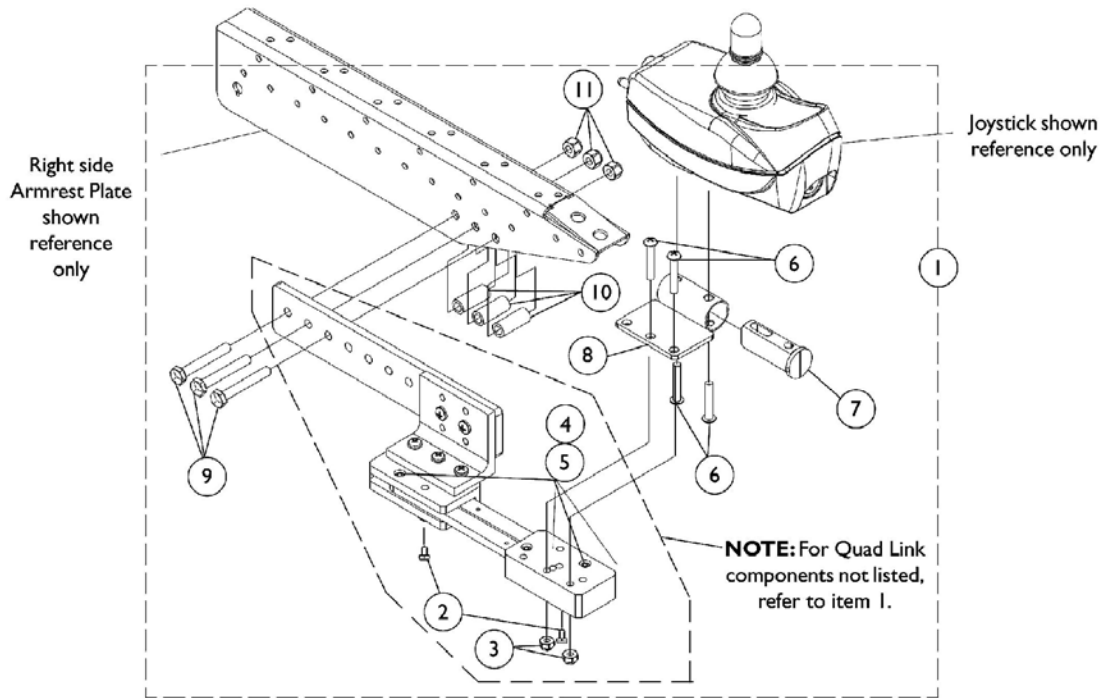
Item Number	Note	Part Number	Description	Quantity Per	
				Package	Assembly
1	A	1127302	Kit, Controller Mounting Hardware	1	1
2			Cable Tie (5-5/8" Long)	1	14
3			Locknut (#8-32)	1	2
4			Screw, Phillips Pan Head (#8-32 x 1")	1	2
5			Cable Tie (17-1/2" L)	1	2
6	F	1109531	Controller, MK5 NX-LP	1	1
6	G	1109530	Controller, MK5 NX	1	1
6	H,J,J1	1127270	Controller, (MK5 NX w/ ACC) (MK660 w/ ACC)	1	1
7	B	1127301	Kit, Charger Mounting Hardware	1	1
8			Nut, Hex Keps (#4-40)	1	2
9			Screw, Phillips Pan Head Tap (#10-32 x 1/2")	1	3
10			Bracket, Charger Plug	1	1
11			Screw, Phillips Pan Head (#4-40 x 7/16")	1	2
12			Cover, Connector	1	1
13	I	1118923	Battery Charger with Power Cord 3 Amp. (On-Board)	1	1
14		1109091	Programmer, Remote	1	1
15	C,D	1123249	Battery Charger, 8 Amp. 115vac (Off Board) Single Mode Round Plug w/ AC Power Line Cord, CTE Corp.	1	1
16		1089627	Cord, AC Power Line 115vac (2-prong off-board 11'6"L)	1	1
17	E	1053161	Battery Charger, 8 Amp. 115vac (Off Board) Dual Mode Round Plug, Lester	1	1
18		1121086	Cord, AC Power Line 115VAC (3-prong on-board 6'6-1/2"L)	1	1

NOTE: A - Includes items 2-5, does not include controller  
 B - Includes items 8-12  
 C - Used on Gel Cell or AGM (Absorbed Glass Mat) batteries. For wet cell batteries refer to the Lester 8 amp charger  
 D - Includes item 16, AC power cord  
 E - Used on Wet Cell batteries  
 F - Used on M50 models  
 G - Used on M51 models  
 H - Used on M61 models  
 I - On Board charger is included as a standard feature.  
 J - The MK5 NX w/ ACC controller was revised to function as a MK660 w/ ACC 10/9/06. A MK660 w/ ACC is backward compatible with MK5 electronics.  
 J1 - Any controller in the field manufactured for chairs before 10/9/06 with a controller label description MK5 NX w/ ACC "will not" be compatible with MK6i electronics. This note was provided because the part number remained the same.

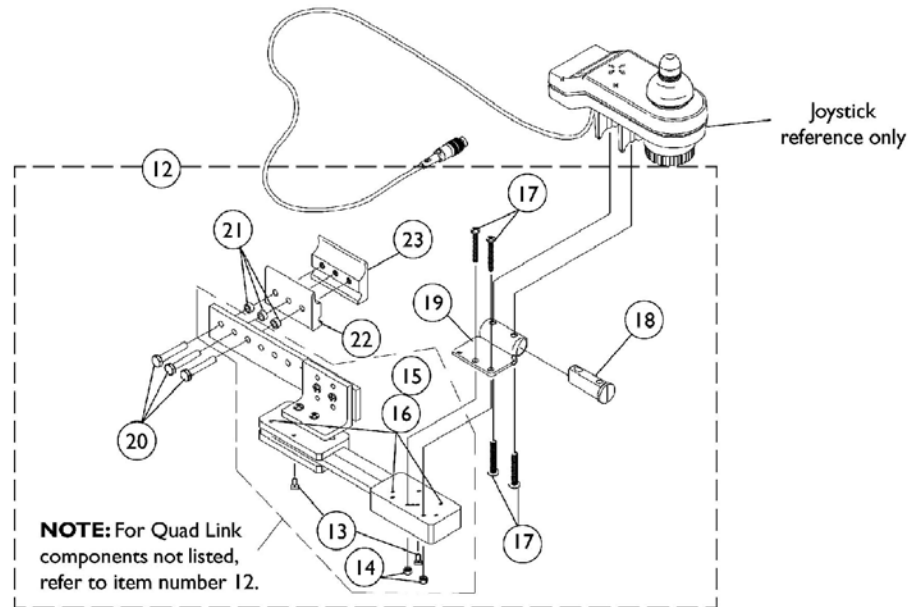


# Electronics - Quad Link Assembly

## Before 4/07/06



**Semi Recline Van Seat and Office Style Van Seat**



**ASBA Seat**

## Electronics - Quad Link Assembly Before 4/07/06

Item Number	Note	Part Number	Description	Quantity Per	
				Package	Assembly
1	A	1119215	Kit, Quad Link Assembly - Right For Van Seats	1	1
2			Ball Plunger with Lock Washer Assembly	2	1
3			Locknut (#10-32)	1	2
4			Screw, Socket Head (#10-32 x 1/2")	1	4
5			Bushing, Bronze (3/16 x 1/4 x 1/4")	1	4
6			Screw, Phillips Pan Head (#10-32 x 1-1/8")	1	4
7			Spacer, Joystick Tube	1	1
8			Stud Plate, Quad Link	1	1
9			Screw, Hex Head (1/4-20 x 1-3/4")	1	3
10			Spacer (1/4 x 3/8 x 1")	1	3
11			Locknut (1/4-20)	1	3
1	A	1119216	Kit, Quad Link Assembly - Left For Van Seats	1	1
2			Ball Plunger with Lock Washer Assembly	2	1
3			Locknut (#10-32)	1	2
4			Screw, Socket Head (#10-32 x 1/2")	1	4
5			Bushing, Bronze (3/16 x 1/4 x 1/4")	1	4
6			Screw, Phillips Pan Head (#10-32 x 1-1/8")	1	4
7			Spacer, Joystick Tube	1	1
8			Stud Plate, Quad Link	1	1
9			Screw, Hex Head (1/4-20 x 1-3/4")	1	3
10			Spacer (1/4 x 3/8 x 1")	1	3
11			Locknut (1/4-20)	1	3
12	B	1052402	Kit, Quad Link Assembly - Right	1	1
13			Ball Plunger with Lock Washer Assembly	2	1
14			Locknut (#10-32)	1	2
15			Screw, Socket Head (#10-32 x 1/2")	1	4
16			Bushing, Bronze (3/16 x 1/4 x 1/4")	1	4
17			Screw, Phillips Pan Head (#10-32 x 1-1/8")	1	4
18			Spacer, Joystick Tube	1	1
19			Stud Plate, Quad Link	1	1
20			Screw, Hex Head (1/4-20 x 1-1/2")	1	3
21			Spacer (1/4 x 3/8 x 3/16")	1	3
22			Half Clamp, Non-Threaded Holes	1	1
23			Half Clamp, Threaded Holes	1	1
12	B	1115372	Kit, Quad Link Assembly - Left	1	1
13			Ball Plunger with Lock Washer Assembly	2	1
14			Locknut (#10-32)	1	2
15			Screw, Socket Head (#10-32 x 1/2")	1	4
16			Bushing, Bronze (3/16 x 1/4 x 1/4")	1	4
17			Screw, Phillips Pan Head (#10-32 x 1-1/8")	1	4
18			Spacer, Joystick Tube	1	1
19			Stud Plate, Quad Link	1	1

## Electronics - Quad Link Assembly Before 4/07/06

Item Number	Note	Part Number	Description	Quantity Per	
				Package	Assembly
20			Screw, Hex Head (1/4-20 x 1-1/2")	1	3
21			Spacer (1/4 x 3/8 x 3/16")	1	3
22			Half Clamp, Non-Threaded Holes	1	1
23			Half Clamp, Threaded Holes	1	1
NOTE: A - Used on Semi Recline and Office Style Van Seats. Includes items 2-11. B - Used on ASBA Seats. Includes items 13-23.					

# Quad Link Assembly (QL)

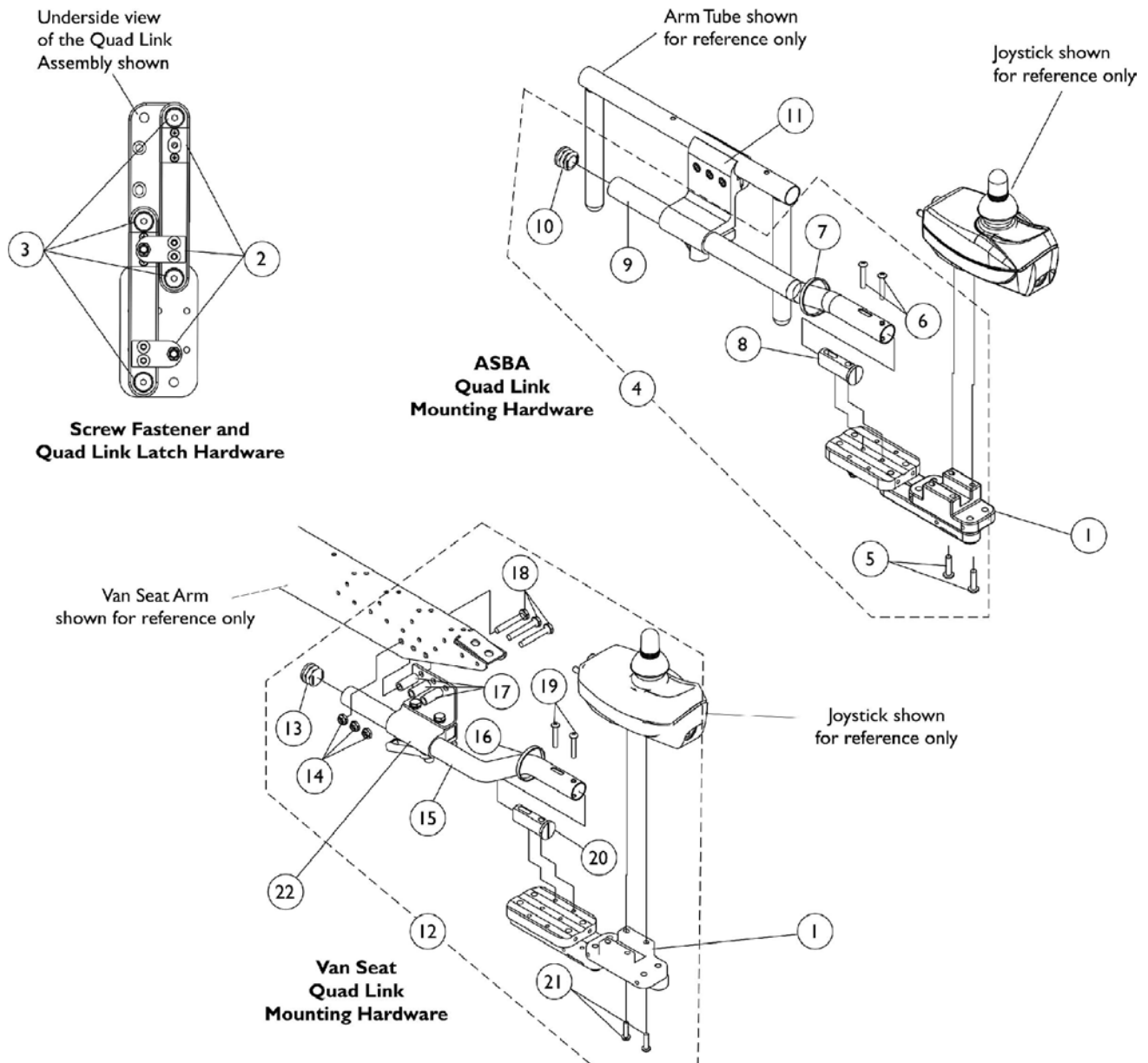
After 4/06/06

When converting an old style Quad Link that attaches to a mounting plate or (a Flex or Touch Pad Joystick Tube) is currently on the chair then order the following for:

a) ASBA Seat; Quad Link Mtg. Hdwr. (item 4), Quad Link (item 1) & Ht. Adj. Joystick Tube Clamp (item 11)

b) Van Seat; Quad Link Mtg. Hdwr. (item 12), Quad Link (item 1) & Joystick Tube Clamp (item 22)

NOTE: Substitute (item 4 & 12) with 2 ea. of the PPH Screws (item 5) when an offset joystick tube is currently on the chair.



# Quad Link Assembly (QL)

After 4/06/06

When converting an old style Quad Link that attaches to a mounting plate or (a Flex or Touch Pad Joystick Tube) is currently on the chair then order the following for:

a) ASBA Seat; Quad Link Mtg. Hdwr. (item 4), Quad Link (item 1) & Ht. Adj. Joystick Tube Clamp (item 11)

b) Van Seat; Quad Link Mtg. Hdwr. (item 12), Quad Link (item 1) & Joystick Tube Clamp (item 22)

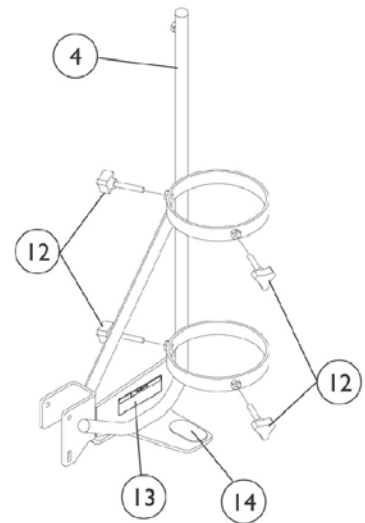
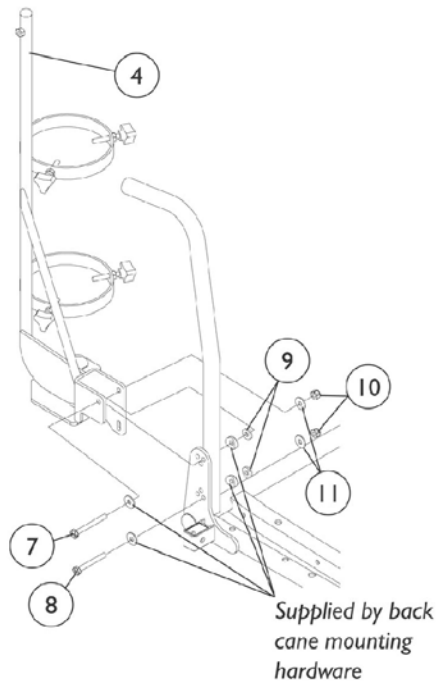
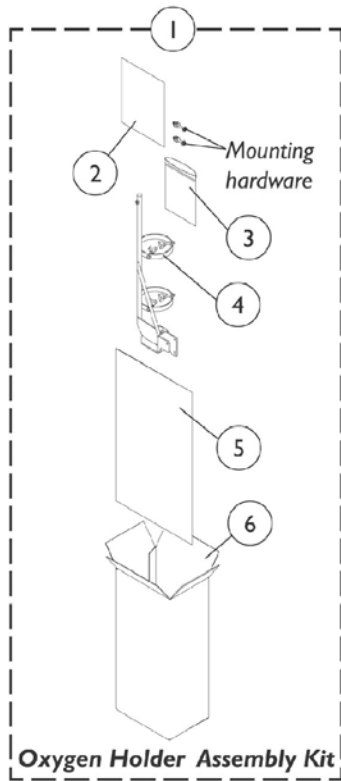
NOTE: Substitute (item 4 & 12) with 2 ea. of the PPH Screws (item 5) when an offset joystick tube is currently on the chair.

Item Number	Note	Part Number	Description	Quantity Per	
				Package	Assembly
1		1140898	Quad Link (QL) and Instruction Sheet - Right	1	1
1		1140899	Quad Link (QL) and Instruction Sheet - Left	1	1
2	A	1140425	Kit, Quad Link Latch Hardware	1	1
3	B	1140424	Kit, Quad Link Screw Fastener Hardware	1	1
4	C	1142937	Kit, ASBA/ADJASBA Quad Link Mounting Hardware	1	1
5			Screw, Phillips Pan Head w/ Patch (10-32 x 3/4")	1	2
6			Screw, Phillips Pan Head (#10-32 x 1-1/8")	1	2
7			Cable Tie (11-1/2" Long)	1	1
8			Spacer, Joystick Tube	1	1
9			Tube, Joystick 2" Offest	1	1
10			Plug Button, Black (7/8")	1	1
5		1105414	Screw, Phillips Pan Head w/ Patch (10-32 x 3/4")	1	2
11		1093071	Clamp, Fixed Height Joystick Tube	1	1
12	D,F,F1	1143042	Kit, Quad Link Mounting Hardware - Van Seat	1	1
13			Plug Button, Black (7/8")	1	1
14			Locknut (1/4-20)	1	3
15			Tube, Joystick 2" Offest	1	1
16			Cable Tie (11-1/2" Long)	1	1
17			Spacer (1/4 x 3/8 x 1")	1	3
18			Screw, Hex Head (1/4-20 x 1-5/8")	1	3
19			Screw, Phillips Pan Head (#10-32 x 1-1/8")	1	2
20			Spacer, Joystick Tube	1	1
21			Screw, Phillips Pan Head w/ Patch (10-32 x 3/4")	1	2
22		1139681	Clamp, Van Seat Arm Joystick Tube	1	1
	E	1134844	Instruction Sheet, Quad Link	1	1

NOTE: A - Latch Kit includes 4 ea. Button Head Cap Screws (10-32 x 3/8"), 2 ea. Latch Spring Assembly, 4 ea. Phillips Flat C'Sunk Head Screws, 2 ea. Spring Catch Plates, 2 ea. Socket Head Set Screws (10-32 x 3/8")  
 B - Screw Fastener Kit includes 4 ea. Socket Head Shoulder Screws (3/8 x 3/8"), 2 ea. Socket Head Cap Screws (1/4-20 x 3/8"), 2 ea. Socket Head Set Screws (1/4-20 x 1/2"), 4 ea. Socket Head Set Screws (10-32 x 1/8")  
 C - Includes items 5-10.  
 D - Includes items 13-21.  
 E - Not Shown  
 F - If Quad Link is to be mounted on chairs w/ van seats built Before 4/07/06, then a new Upper Arm Asbly. (adj. height) or complete Fixed Height Arm Asbly. must be ordered as well. See van seat arms category.  
 F1 - The new Arm Pads have 3 additional holes drilled in the armrest plate so that the quad link can be properly mounted.

# Oxygen Holder Assembly

ASBA Seat Before 4/28/08



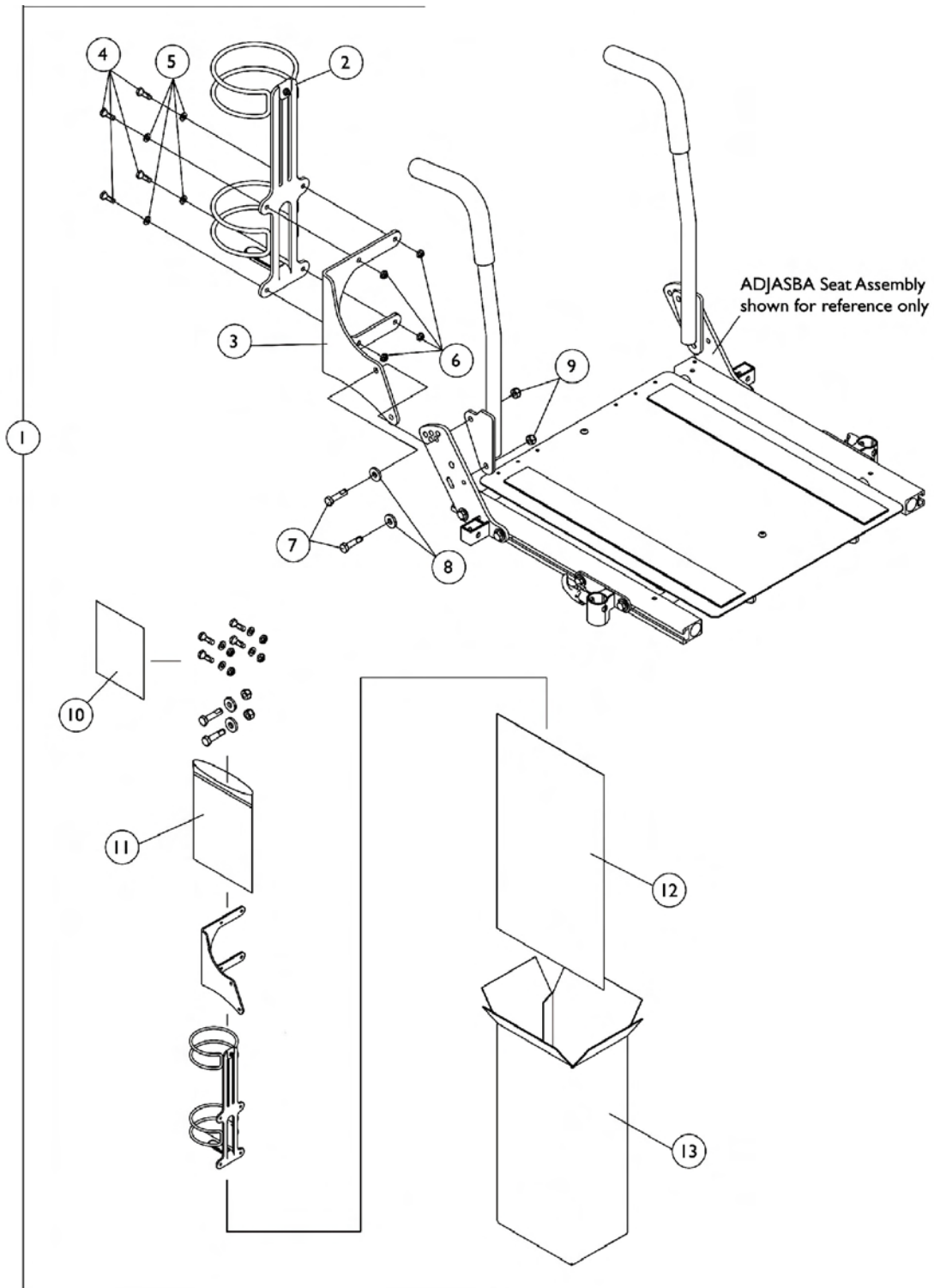
## Oxygen Holder Assembly ASBA Seat Before 4/28/08

Item Number	Note	Part Number	Description	Quantity Per	
				Package	Assembly
1	A	1098857	Oxygen Holder, Assembly Kit	1	1
2		1098333	Instruction Sheet, Oxygen Holder	1	1
3		1021148	Bag, Poly Zip-Lip (6" Wide x 8-3/4" Long)	1	1
4		See Item 1	Oxygen Holder	1	1
5		1021866	Bag, Poly (15" Wide x 26" Long)	1	1
6		1097276	Carton, Shipper	1	1
7		1096839	Screw, Hex Head (1/4-20 x 2-1/4")	1	1
8		1096838	Screw, Hex Head (1/4-20 x 2")	1	1
9		1018739	Washer (1/4 x 5/8 x 3/32")	1	2
10		1025736	Locknut (1/4-20)	1	2
11		1026900	Washer (1/4 x 23/32 x 1/16")	1	2
12		1027684	Knob, Clamping (Black)	1	4
13		1080866	Decal, Oxygen Warning - English	1	1
14		1072002	Pad, Non Skid	1	1

NOTE: A - Includes items 2-6 and 7-11

# Oxygen Holder Assembly

## ADJASBA Seats After 4/29/08



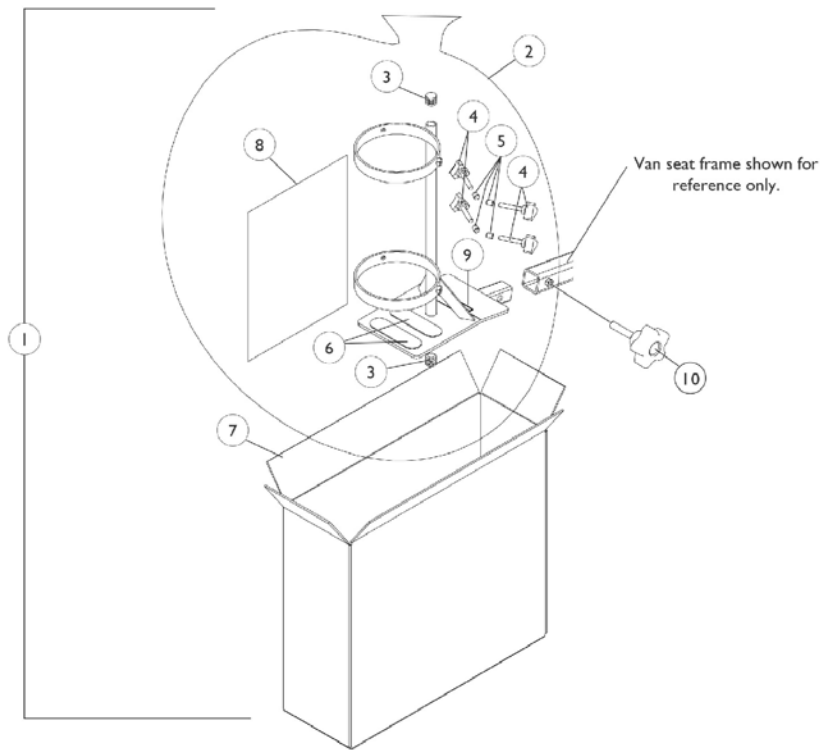


## Oxygen Holder Assembly ADJASBA Seats After 4/29/08

Item Number	Note	Part Number	Description	Quantity Per	
				Package	Assembly
1	A	1135504	Kit, Oxygen Holder Assembly For ADJASBA Seats	1	1
2			Oxygen Holder	1	1
3			Bracket, Oxygen Holder (ASBA and ADJASBA Seats)	1	1
4			Screw, Hex Head (1/4-20 x 3/4")	1	4
5			Washer (1/4 x 1/2 x 1/16")	1	4
6			Locknut (1/4-20)	1	4
7			Screw, Hex Head Cap with Patch (5/16-18 x 1-1/4")	1	2
8			Washer, Flat (21/64 x 53/64 x 7/64")	1	2
9			Locknut (5/16-18)	1	2
10			Instruction Sheet, Oxygen Holder For ADJASBA Seats	1	1
11			Bag, Poly Zip-Lip (6" Wide x 8-3/4" Long)	1	1
12			Bag, Poly (15" Wide x 26" Long)	1	1
13			Carton, Shipper	1	1

NOTE: A - Includes items 2-13

# Oxygen Holder Assembly Fold Down Medium Back Van Seat

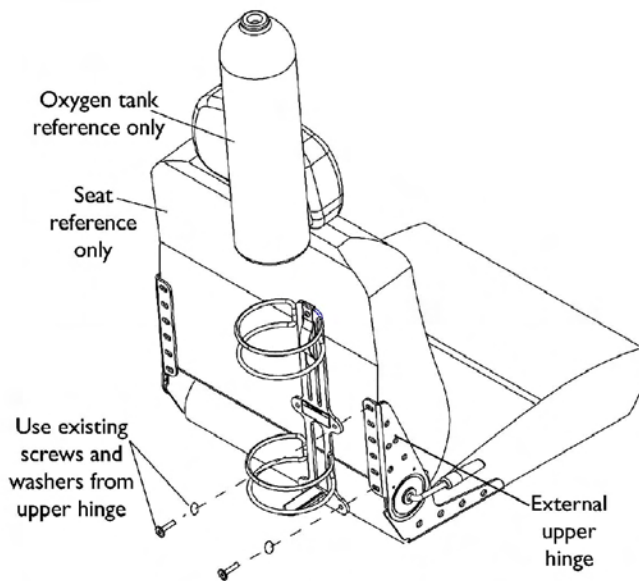


Item Number	Note	Part Number	Description	Quantity Per	
				Package	Assembly
1	A	P700	Oxygen Holder Assembly	1	1
2		2000454	Bag, Poly (33" W x 39" L)	1	1
3		1035614	Plug Button, Black (5/8")	1	2
4		1027684	Knob, Clamping (Black)	1	4
5		1086780	Package, Protective Caps	10	4
6		1072004	Pad, Non-Skid Adhesive Back	1	2
7		1091304	Carton, Shipper	1	1
8		1091305	Instruction Sheet, Oxygen Holder	1	1
9		1080866	Decal, Oxygen Warning - English	1	1
9		1090093	Decal, Oxygen Warning - French Canadian	1	1
9		1092793	Decal, Oxygen Warning - Domestic Spanish	1	1
10	B	1114911	Knob, Adjustment (5/16-18 x 1-1/2")	1	1

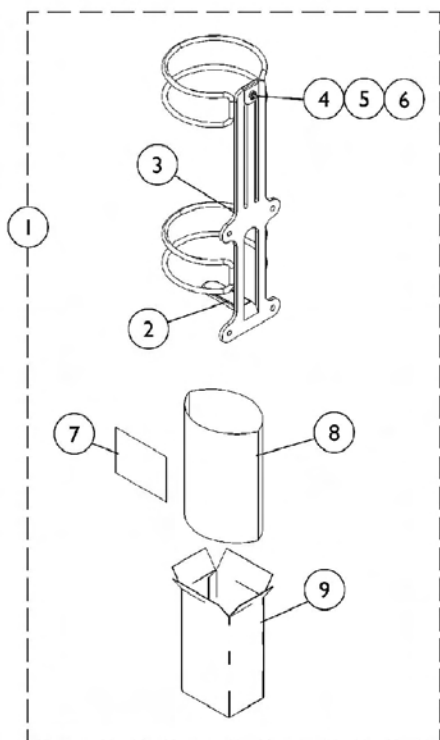
NOTE: A - Includes items 2-9.  
B - Tighten knob assembly comes standard on-chair for all models.

# Oxygen Holder Assembly

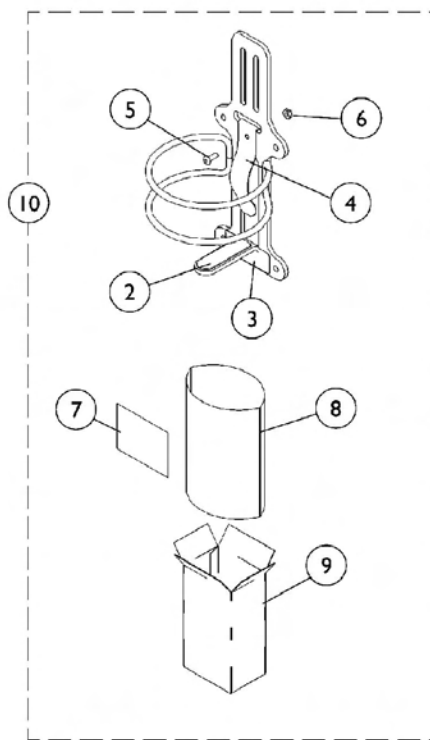
## Semi-Recline Van Seat and Office Style Van Seat



**Installing on Seat with External Hinge**



**O2 Holder D or E size tanks**



**O2 Holder Home Filled Tank (HFO2-ML6)**

## Oxygen Holder Assembly

### Semi-Recline Van Seat and Office Style Van Seat

Item Number	Note	Part Number	Description	Quantity Per	
				Package	Assembly
1	A	1116956	Assembly, Oxygen Holder (D or E Tanks)	1	1
2		1116950	Pad, Non-Skid	1	1
3		1080866	Decal, Oxygen Warning - English	1	1
4		1116945	Spring, Oxygen Holder	1	1
5		1072319	Screw, Socket Button Head (#10-32 x 1/2")	1	1
6		1025735	Locknut (#10-32)	1	1
7		1116957	Instruction Sheet, Oxygen Holder	1	1
8		1021866	Bag, Poly (15" Wide x 26" Long)	1	1
9		1063960	Carton	1	1
10	A	HFO2-ML6	Assembly, Oxygen Holder (Home Filled Tank)	1	1

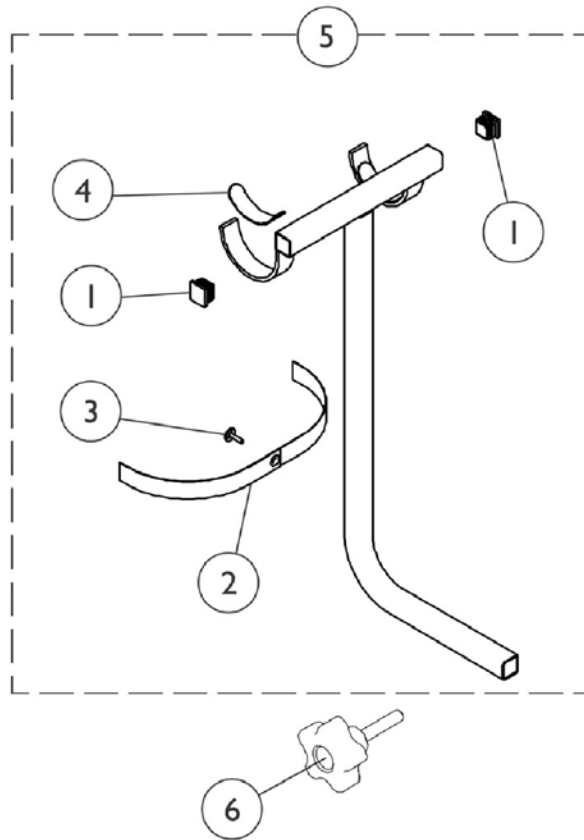
**NOTE:** A - Includes Oxygen Holder plus items 2-9. For seats with an EXTERNAL (visible) hinge assembly.

## Miscellaneous Accessories

Item Number	Note	Part Number	Description	Quantity Per	
				Package	Assembly
	F	P725	Crutch/ Cane Holder	1	1
		1114911	Knob, Adjustment (5/16-18 x 1-1/2")	1	1
	A	1004310	Positioning Strap, Seat/Chest w/ Auto Style Push Button Buckle (Eyelet to Eyelet Length 48")	1	1
	B	1034625	Positioning Strap, Seat/Chest w/ Auto Style Push Button Buckle (Eyelet to Eyelet Length 61")	1	1
	C	1034622	Positioning Strap, Seat/Chest w/ Auto Style Push Button Buckle (Eyelet to Eyelet Length 69")	1	1
	B	1034752	Positioning Strap, Seat/Chest w/ Airline Style Buckle (Eyelet to Eyelet Length 61")	1	1
	C	1034753	Positioning Strap, Seat/Chest w/Airline Style Buckle (Eyelet to Eyelet Length 70")	1	1
	A,E	1034744	Positioning Strap, Seat/Chest w/ Hook and Loop Style Buckle (Eyelet to Eyelet Length 45")	1	1
	D,E	1034745	Positioning Strap, Seat/Chest w/ Hook and Loop Style Buckle (Eyelet to Eyelet Length 61")	1	1
		40176X010	Tire Pump	1	1
NOTE: A - 16-19" wide B - 20" wide and (18" wide Van Seat) C - 20" wide Van Seat D - 20" wide E - Not available for Van Seat F - This accessory may only be used on Chairs that have a Van Seats and were manufactured before April XX/08					

# Walker Holder

Van Seat only after April XX/08



Item Number	Note	Part Number	Description	Quantity Per	
				Package	Assembly
1		1055662	Plug Button, Square, Black (1-1/8")	1	2
2		1032222	Strap	1	1
3		1076284	Screw w/ washer (#10 x 7/8")	1	1
4		1072003	Pad, Non-Skid Adhesive Back	1	2
5	A	P770	Walker Holder Assembly	1	1
6	B	1114911	Knob, Adjustment (5/16-18 x 1-1/2")	1	1
	B	2000454	Bag, Poly (33" W x 39" L)	1	1
	B	1098305	Instruction Sheet, Walker Holder	1	1
	B	1061434	Carton	1	1

NOTE: A - Adjustment Knob (item 6) comes standard on-chair for all models.  
 B - Not Shown.

# Power Wheelchair Tool Kit

1



**Multimeter with Leads**



**Grounding Wire**



**1" Test Leads**



**Protractor/Angle Locator**



**Invacare Pen Light**



**Invacare Tape Measure**



**Invacare Phillips/Flat Head Screwdriver**



**MKIV Programmer**



**Virtual Service Charger Cable**

## Power Wheelchair Tool Kit

Item Number	Note	Part Number	Description	Quantity Per	
				Package	Assembly
1		1125222	Kit, Power Wheelchair Tool Includes: 1 ea. Multimeter with Leads 1 ea. Locator, Protractor/Angle Magnetic Base 1 ea. Instructions, MKIV Programmer 1 ea. Wire, Grounding with Hand Strap and Clip 1 ea. Leads, 1" Test 1 ea. Light, Pen with Invacare Logo 1 ea. Tape Measure, Compact with Invacare Logo 1 ea. Screwdriver, Pen-Size Phillips/Flat Head 1 ea. Cable, Virtual Service Charger/Modem	1	1



**Invacare Corporation**

[www.invacare.com](http://www.invacare.com)



Yes, you can.™

One Invacare Way  
Elyria, Oh USA  
44036-2125  
800-333-6900

Technical Support  
800-832-4707  
Florida Technical Support  
407-321-5630

Customer Service  
800-333-6900

©2008 Invacare Corporation. Elyria, Ohio.  
All rights reserved. Trademarks are  
identified by the symbols™ and®. All  
trademarks are owned by or licensed to  
Invacare Corporation unless otherwise  
noted. (Revised 5/29/08)

Form No. 04-050

## Free Manuals Download Website

<http://myh66.com>

<http://usermanuals.us>

<http://www.somanuals.com>

<http://www.4manuals.cc>

<http://www.manual-lib.com>

<http://www.404manual.com>

<http://www.luxmanual.com>

<http://aubethermostatmanual.com>

Golf course search by state

<http://golfingnear.com>

Email search by domain

<http://emailbydomain.com>

Auto manuals search

<http://auto.somanuals.com>

TV manuals search

<http://tv.somanuals.com>