



NECK SUPPORT

Assembly, Installation, and Operating Instructions

SAFETY SUMMARY

WARNING

DO NOT install this equipment without first reading and understanding this instruction sheet. If you are unable to understand these instructions, contact a healthcare professional, dealer, technical personnel if applicable before attempting to install this equipment - otherwise, injury or damage may occur.

ATTACHING THE NECK SUPPORT (FIGURES 1 AND 2)

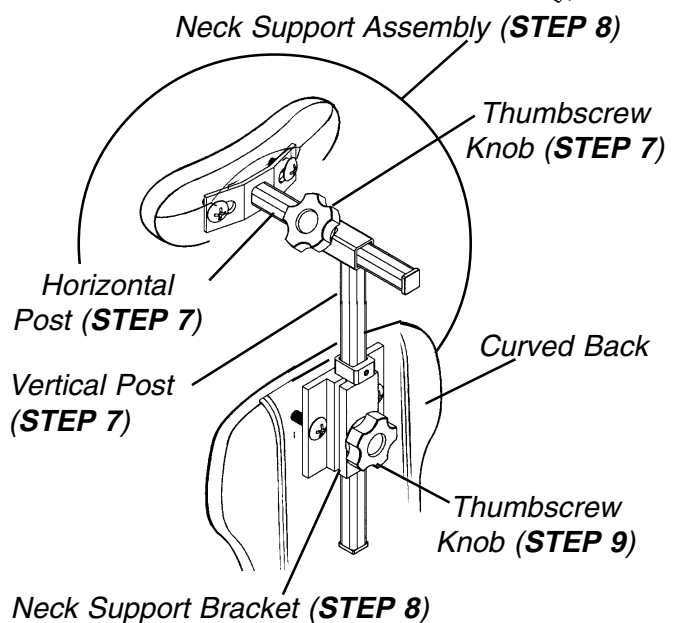
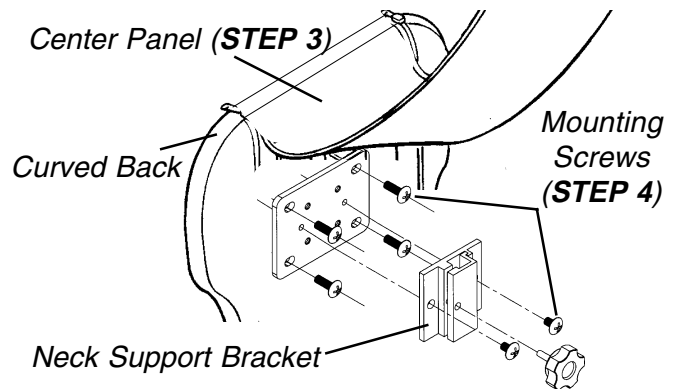
Curved Back

1. Remove neck support bracket from packaging.
2. Unzip back cover on both sides of center panel.
3. Lift center panel.

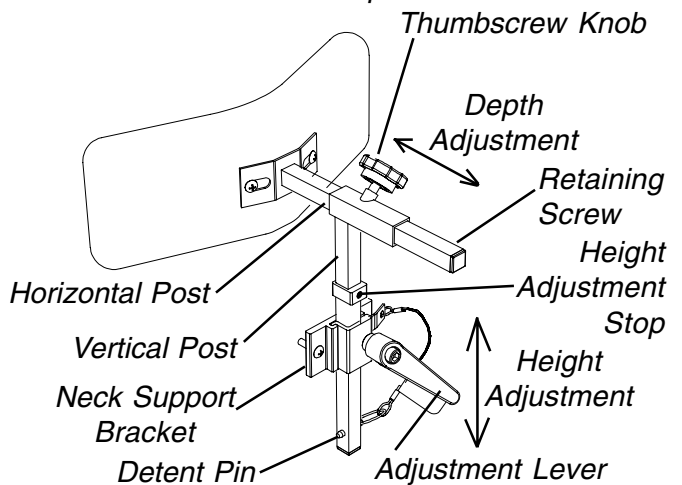
NOTE: If a NEW neck support is used on an EXISTING Curved Back than the adapter plate and support bracket MUST be used.

NOTE: If a NEW neck support is used on a NEW Curved Back than the support bracket can be used WITHOUT the adapter plate.

4. **Perform Steps 4a. and 4b. or 4c.:**
 - a. Secure neck adapter plate to the back shell with the four (4) mounting screws provided (if applicable).
 - b. Then secure the neck support bracket to the neck adapter plate using the two (2) mounting screws provided.
 - c. Secure the vertical neck post to the back shell using the two (2) mounting screws provided.
5. Close center panel with the vertical neck post exposed through the slot provided in upholstery.
6. Zip the back cover closed.
7. Insert horizontal post into vertical post and secure with thumbscrew knob.
8. Insert vertical post into neck support bracket.
9. Secure with a thumbscrew knob or adjustable lever.
10. Insert detent pin into through both walls of vertical post (Transport Ready Option [TRRO]).
11. If adjustment is required, refer to **ADJUSTING THE NECK SUPPORT** in this instruction sheet.



NOTE: Ensure that the retaining screw is located in the end of the horizontal post.



NOTE: Neck Adapter Plate NOT shown.

FIGURE 1 - ATTACHING THE NECK SUPPORT ON THE CURVED BACK

Ulti-Mate Air Back

NOTE: The standard attachment points are where the eyelets are located in the upholstery.

1. If there are no eyelets, pierce a hole pattern in the fabric, that resembles the pattern found on the neck support bracket. Ensure the pattern is aligned with the T-nutted holes found on the back shell.

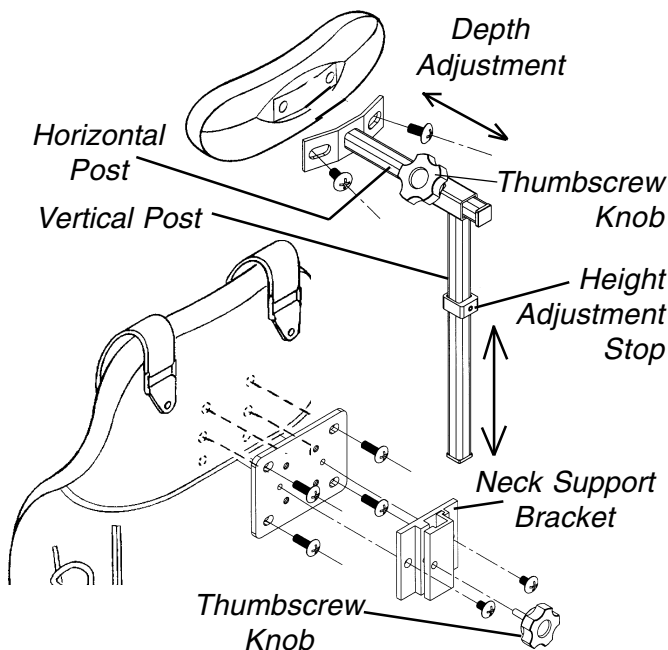
NOTE: The cover may need to be removed to get a more precise location of the T-nutted holes before piercing the hole pattern in the fabric.

NOTE: There is an extra set of T-nutted holes found on the back shell for optional height adjustment. To make these holes accessible, pierce a hole in the fabric aligned with the T-nutted hole in the back shell. Repeat for opposite hole.

NOTE: If a NEW neck support is used on an EXISTING Curved Back than the adapter plate and support bracket MUST be used.

NOTE: If a NEW neck support is used on a NEW Curved Back than the support bracket can be used WITHOUT the adapter plate.

2. Secure neck adapter plate to the back shell with the four (4) long mounting screws provided.
3. Attach neck support bracket to the adapter plate using the two (2) short mounting screws provided.
4. Insert horizontal post into vertical post and secure with thumbscrew.



NOTE: Only the curved back is shown for clarity. The neck support on the Ulti-mate Air Back adjusts in the same manner.

5. If adjustment is required, refer to **ADJUSTING THE NECK SUPPORT** in this instruction sheet.

ADJUSTING THE NECK SUPPORT (FIGURE 2)

Curved Back and Ulti-Mate Air Back

1. **Height Adjustment** - Loosen the thumbscrew knob or adjustment lever on the neck support bracket. Loosen the height adjustment stop setscrew. Adjust the neck support to the desired height and retighten the thumbscrew knob or adjustment lever. Slide height adjustment stop to the top of the support bracket and retighten setscrew.

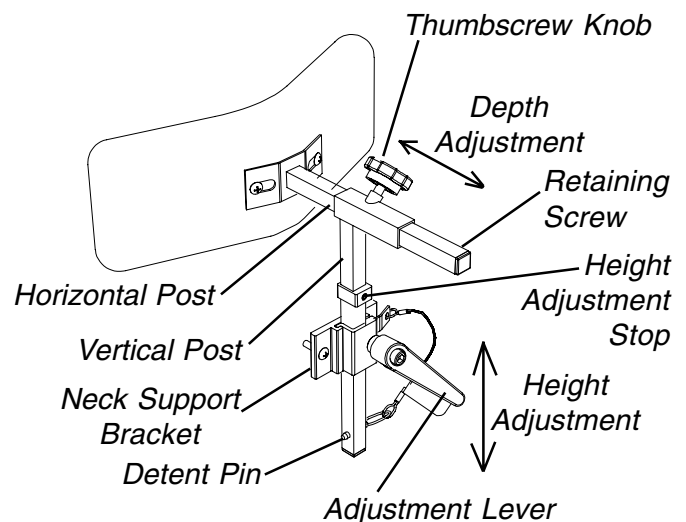
Insert detent pin into through both walls of vertical post (Transport Ready Option [TRRO]).

NOTE: The height adjustment stop allows the neck support to be removed for transfers, then reinstalled back to the exact height set by the location of the height adjustment stop.

2. **Depth Adjustment** - Loosen the thumbscrew knob on the horizontal post, adjust the neck support to the desired depth and retighten the thumbscrew knob.

*NOTE: On the Ulti-Mate Air Back further adjustment can be obtained by utilizing the extra set of T-nutted holes in the back shell. Refer to **ATTACHING THE NECK SUPPORT** in this instruction sheet.*

NOTE: Ensure that the retaining screw is located in the end of the horizontal post.



NOTE: Neck Adapter Plate NOT shown.

FIGURE 2 -ATTACHING/ADJUSTING THE NECK SUPPORT BRACKET TO ULTI-MATE AIR BACK

LIMITED WARRANTY

PLEASE NOTE: THE WARRANTY BELOW HAS BEEN DRAFTED TO COMPLY WITH FEDERAL LAW APPLICABLE TO PRODUCTS MANUFACTURED AFTER JULY 4, 1975.

This warranty is extended only to the original purchaser/user of our products.

This warranty gives you specific legal rights and you may also have other legal rights which vary from state to state.

Invacare warrants its product to be free from defects in materials and workmanship for the period of two (2) years on the Neck Support and 90 days on the cover from date of purchase. If within such warranty period any such product shall be proven to be defective, such product shall be repaired or replaced, at Invacare's option. This warranty does not include any labor or shipping charges incurred in replacement part installation or repair of any such product. Invacare's sole obligation and your exclusive remedy under this warranty shall be limited to such repair and/or replacement.

For warranty service, please contact the dealer from whom you purchased your Invacare product. In the event you do not receive satisfactory warranty service, please write directly to Invacare at the address on the next page. Provide dealer's name, address, model number, date of purchase, indicate nature of the defect and, if the product is serialized, indicate the serial number.

Invacare Corporation will issue a return authorization. The defective unit or parts must be returned for warranty inspection using the serial number, when applicable, as identification within thirty (30) days of return authorization date. DO NOT return products to our factory without our prior consent. C.O.D. shipments will be refused; please prepay shipping charges.

LIMITATIONS AND EXCLUSIONS: *THE WARRANTY SHALL NOT APPLY TO PROBLEMS ARISING FROM NORMAL WEAR OR FAILURE TO ADHERE TO THE ENCLOSED INSTRUCTIONS.* IN ADDITION, THE FOREGOING WARRANTY SHALL NOT APPLY TO SERIAL NUMBERED PRODUCTS IF THE SERIAL NUMBER HAS BEEN REMOVED OR DEFACED; PRODUCTS SUBJECTED TO NEGLIGENCE, ACCIDENT, IMPROPER OPERATION, MAINTENANCE OR STORAGE; OR PRODUCTS MODIFIED WITHOUT INVACARE'S EXPRESS WRITTEN CONSENT INCLUDING, BUT NOT LIMITED TO: MODIFICATION THROUGH THE USE OF UNAUTHORIZED PARTS OR ATTACHMENTS; PRODUCTS DAMAGED BY REASON OF REPAIRS MADE TO ANY COMPONENT WITHOUT THE SPECIFIC CONSENT OF INVACARE; PRODUCTS DAMAGED BY CIRCUMSTANCES BEYOND INVACARE'S CONTROL; PRODUCTS REPAIRED BY ANYONE OTHER THAN AN AUTHORIZED INVACARE DEALER, SUCH EVALUATION SHALL BE SOLELY DETERMINED BY INVACARE.

THE FOREGOING WARRANTY IS EXCLUSIVE AND IN LIEU OF ALL OTHER EXPRESS WARRANTIES, IF ANY, INCLUDING THE IMPLIED WARRANTIES OF MERCHANTABILITY AND FITNESS FOR A PARTICULAR PURPOSE.

IT SHALL NOT EXTEND BEYOND THE DURATION OF THE EXPRESSED WARRANTY PROVIDED HEREIN AND THE REMEDY FOR VIOLATIONS OF ANY IMPLIED WARRANTY SHALL BE LIMITED TO REPAIR OR REPLACEMENT OF THE DEFECTIVE PRODUCT PURSUANT TO THE TERMS CONTAINED HEREIN. INVACARE SHALL NOT BE LIABLE FOR ANY CONSEQUENTIAL OR INCIDENTAL DAMAGES WHATSOEVER.

THIS WARRANTY SHALL BE EXTENDED TO COMPLY WITH STATE/PROVINCIAL LAWS AND REQUIREMENTS.



**INVACARE CORPORATION • ONE INVACARE WAY • P.O. Box 4028 • Elyria, Ohio 44036-2125 •
Phone 1- (800)-333-6900
INVACARE CANADA • 5970 Chedworth Way • Mississauga, Ontario Canada L5R 3T9 •
Phone (905) 890-8300, 1-800-668-5324, Fax (905)-890-5244**

Form No. 96-326

Part No. 1068859

Rev. C (1) - 7/99

Printed in U.S.A.

Download from [Www.Somanuals.com](http://www.Somanuals.com). All Manuals Search And Download.

Free Manuals Download Website

<http://myh66.com>

<http://usermanuals.us>

<http://www.somanuals.com>

<http://www.4manuals.cc>

<http://www.manual-lib.com>

<http://www.404manual.com>

<http://www.luxmanual.com>

<http://aubethermostatmanual.com>

Golf course search by state

<http://golfingnear.com>

Email search by domain

<http://emailbydomain.com>

Auto manuals search

<http://auto.somanuals.com>

TV manuals search

<http://tv.somanuals.com>