

PERSONAL SEAT AND CUSHION RIGIDIZER



Assembly, Installation and Operating Instructions

NOTE: Check all parts for shipping damage and test before use. In case of damage, DO NOT use. Contact your equipment supplier for further instruction.

SAFETY SUMMARY

The following recommendations are made for the safe installation of the Personal Seat and Cushion Rigidizer:

WARNINGS/CAUTIONS notices apply to hazards or unsafe practices which could result in personal injury and/or property damage.

WARNING

DO NOT install this equipment without first reading and understanding this instruction sheet. If you are unable to understand these instructions, contact a healthcare professional, dealer or technical personnel if applicable before attempting to install this equipment - otherwise, injury or damage may occur.

The best way to avoid problems related to pressure sores is to understand their causes and and your role in a skin management program.

Your therapist and physician should be consulted if you have questions regarding individual limitations and needs.

All cushions used for the prevention or treatment of decubitus ulcers (pressure sores) should be selected carefully. Working with your your therapist, and physician is the best way to assure that a cushion choice matches your individual needs.

As the needs of the individual become more complex, the cushion evaluation becomes more important.

Skin condition should be checked very frequently after the provision of any new cushion.

INTRODUCTION

The Personal Seat cushion is designed to provide pelvic stability, leg positioning and pressure management for the user. The cover is made from a water repellant fabric to protect the foam and the foam is coated with a water repellant coating to provide additional protection.

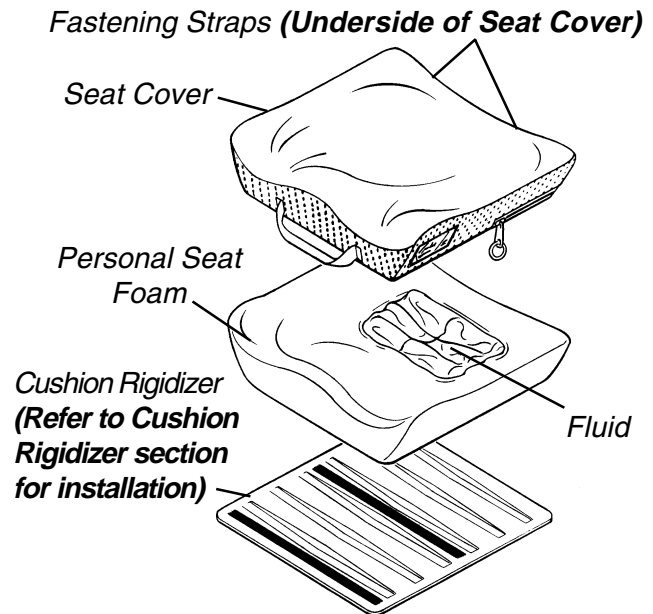


FIGURE 1 - PERSONAL SEAT

ATTACHING THE CUSHION TO THE SEATING SURFACE

The Personal Seat attaches to the wheelchair seat upholstery using the hook and loop fasteners on the bottom of the cushion cover.

NOTE: The zipper on the cushion should face rearward.

Wheelchair Seating Surface

1. Determine whether the wheelchair seating surface has hook or loop attachment strips.
2. If the wheelchair has loop attachment strips, verify that the double sided hook strips are securely attached to the loop attachment strips on the bottom of the cushion.
3. Align the front edge of the cushion with the front edge of the seating surface.
4. Secure the cushion to the seating surface, making sure that the double sided hook is securely attached to the strips of loop on the cushion cover and the chair.
5. If the wheelchair has hook attachment strips, remove the double sided hook strips from the cushion.
6. Align the front edge of the cushion with the front edge of the seating surface.
7. Secure the cushion to the seating surface, making sure that the strips of loop on the cushion cover are securely attached to the strips of hook on the chair.

8. If the wheelchair seating surface has neither hook or loop attachment strips, remove the double sided hook from the bottom of the cover.
9. Align the front edge of the cushion with the front edge of the seating surface.
10. Place the cushion on the wheelchair seating surface.

WARNING

Make sure the hook and loop fasteners are securely attached to the seating surface and the cushion before using. If the cushion is not secured to the wheelchair seating surface, exercise caution when transferring in and out of the wheelchair.

USE AND MAINTENANCE OF THE PERSONAL SEAT

Installation of the Cover

The cover is properly installed when the zipper is at the back of the cushion. The back of the cushion is where the fluid pad is located. In addition, the back surface of the cushion is marked, "BACK".

Installation of the Fluid Pad

The pad can be easily and properly installed in the recess by matching the loop strips on the bottom of the pad with the hook strips in the cushion recess. The pad is designed to be larger than the recess so it will be necessary to position the pad with accordion folds so that the entire pad will be located inside the recess.

Checking Fluid Levels:

NOTE: Regular monitoring means "daily" monitoring for high risk users, "weekly" for medium risk users and "bi-weekly" for low risk users.

Regularly monitor to determine if there is sufficient fluid to properly "float" bony prominences, trial fit the cushion for fifteen (15) minutes. Then, examine the fluid pad for areas of incomplete coverage, as well as examining the user's skin for red pressure markings. Any area from which the fluid has migrated, leaving less than 1/8 inch (3mm) coverage, may require additional fluid.

NOTE: Keep in mind that areas where there is no fluid have 3/4 inch (19mm) of soft foam underpad to help keep the bony prominence from bottoming out.

Temperature Considerations:

WARNING

Storage of the cushion in areas of extreme cold or extreme heat can cause the fluid to reach a temperature which could damage the skin of the user.

If the cushion has been stored below 41°F (5°C) or above 90°F (32°C), the cushion fluid pad should be allowed to reach normal room temperature before use. The removable fluid pad can be immersed in warm or cold water to speed the temperature change. (Water temperature should not exceed 50°F (122°C).

Temperatures in a closed automobile can exceed 201°F (94°C) when parked in direct sunlight. If your cushion is exposed to increased temperatures, check the fluid pad temperature before actual use and verify that the fluid in the pad remains uniform. Refer to **INSPECTION AND CLEANING** in this instruction sheet.

Maintaining the Cover

The Personal Seat cover is fabricated with water repellent materials. The top and sides are fabricated with a patented waterproof stretch fabric. The bottom is fabricated from a special waterproof heavyweight fabric. In the event of incontinence, some leakage may occur at the seam stitching or at the zipper, so the water repellent coating should be cleaned. The cover should be machine washed in warm water and let hang dry. Refer to **INSPECTION AND CLEANING** in this instruction sheet.

Inspection and Cleaning

1. In order to ensure that the cushion is working as designed, inspection and cleaning of the cushion on a regular basis is necessary.

WARNING

DO NOT continue to use this product if any of the following problems as described are discovered. Corrective maintenance can be performed at or arranged through your equipment supplier.

2. Visually inspect all parts weekly, including hardware, upholstery materials, foams (if accessible), and plastics for deformation, corrosion, breakage, wear and/or compression.

3. **Fluid Pad Inspection:**

NOTE: Fluid bag contents are non-toxic. The bag will not break or leak under normal use. If leakage is detected, replace bag IMMEDIATELY.

As part of the regular inspection of the cushion the fluid pad should be taken out of the recess in the cushion and inspected also. If the cushion is exposed to temperatures of 54°C (129°F) or greater, this inspection should be performed immediately. The fluid in the pad should be uniformly white in color and homogeneous. If the fluid has areas that are translucent, it has probably separated into its components and needs to be remixed. Remixing is accomplished by kneading the pad until the fluid is uniformly white in color. Reinstall the pad in the recess according to **INSTALLATION OF THE FLUID PAD** in this instruction sheet.

4. Weekly cleaning is recommended.

CAUTION

MACHINE WASH seat cover in cold water on gentle cycle using a mild detergent. **DO NOT** use fabric softeners or bleach. **DO NOT** machine dry. **Air dry ONLY.** **DO NOT** dry in sun.

5. To clean the water repellent foam coating, use a soft cloth and wipe clean with warm water and a mild soap solution. Rinse off and dry.

CAUTION

The cover is designed to protect the foam against a user's incontinence and to provide fire retardancy so the cushion must not be used without its cover. If the cover is torn, it must be replaced.

CUSHION RIGIDIZER

The Cushion Rigidizer is designed to decrease the hammocking effect of sling upholstery, providing a firm, stable base of support.

INSTALLING THE CUSHION RIGIDIZER (FIGURES 1, 2 & 3)

1. Remove seat cushion assembly from chair.
2. Open seat cover and remove the Personal Seat Foam (FIGURE 1).

NOTE: DO NOT REMOVE the protective paper for the adhesive until you have marked the placement area on the Personal Seat Foam. Be sure of placement area as the Cushion Rigidizer will not re-adhere securely if installed and removed.

3. Place the surface of the Cushion Rigidizer with adhesive tape against the bottom of Personal Seat cushion (FIGURE 2).

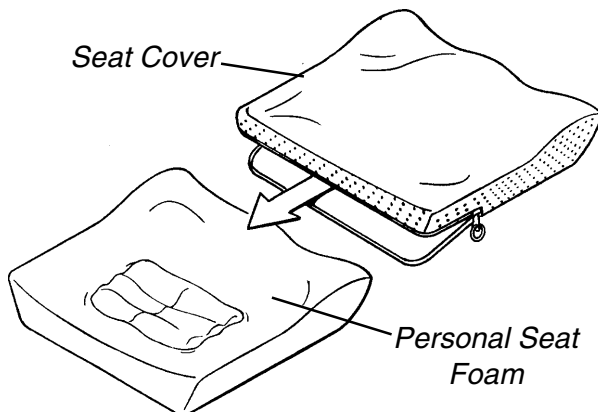


FIGURE 1 - REMOVE PERSONAL SEAT FOAM FROM SEAT COVER

WARNING

The **FRONT** edge of the Rigidizer **MUST** be parallel with the **FRONT** edge of the Personal Seat Foam and 1 inch (1.25cm) behind it so that the user's legs will not contact the front edge of the Rigidizer causing injury to the user or damage to the Rigidizer.

4. Place Cushion Rigidizer 1 inch (1.25cm) from **FRONT** edge of the Personal Seat Foam while centering it on the left and right sides (FIGURE 2).

CAUTION

DO NOT cut or rip the foam coating.

5. Outline the Personal Seat Foam with a marker, pen or pencil using the Cushion Rigidizer as your template to mark the placement area.
6. After marking the placement area, remove the protective paper from the adhesive on the the Cushion Rigidizer and install Rigidizer onto the bottom (**under-side**) of the Personal Seat Foam (FIGURE 2).
7. Press down firmly to adhere the Cushion Rigidizer to the Personal Seat Foam (FIGURE 2).

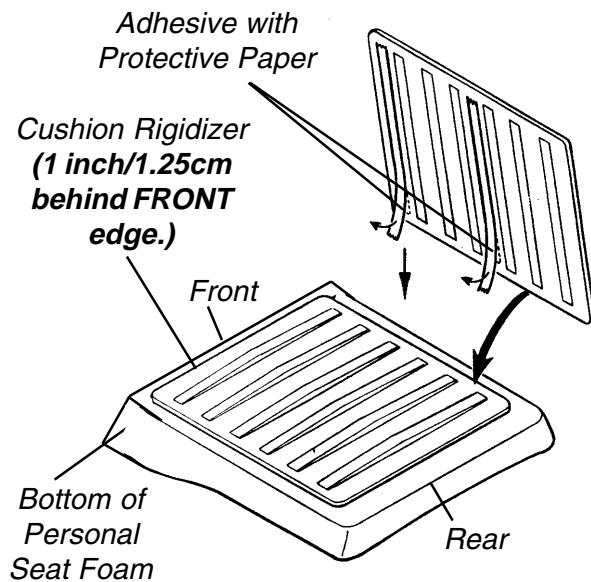


FIGURE 2 - INSTALL RIGIDIZER

8. Re-install the Personal Seat Foam into the seat cover and use the hook and loop fasteners to secure seat cover to chair.

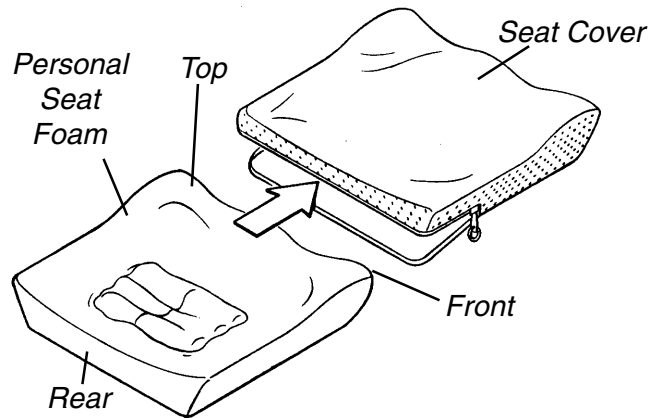


FIGURE 3 - RE-INSTALL CUSHION INTO SEAT COVER

UNITED KINGDOM LIMITED WARRANTY

This warranty is extended only to the original purchaser of our products and does not affect statutory rights.

Invacare UK warrants the foam cushion to be free from defects for a period of two (2) years from the date of purchase. The cushion cover is warranted for a period of ninety (90) days from date of purchase. With regard to the original purchaser/user only, Invacare UK warrants its metal fabricated hardware components to be free from defects in materials and workmanship for the lifetime of the product except any wood, foam plastic or upholstered components. If within such warranty period the product shall be proven to Invacare UK's / Invacare Service Representative reasonable satisfaction to be defective, it shall be repaired or replaced, at Invacare UK's / Invacare Service Representative option; Invacare UK's / Invacare Service Representative sole obligation, and your exclusive remedy under this warranty being limited to such repair or replacement.

For warranty service, please contact Invacare UK's Service Department / Invacare Service Representative during normal working hours. Upon receiving notice of an alleged defect in a product, Invacare UK / Invacare Service Representative will issue a serialized return authorization. The product shall then be returned to either Invacare plant or service center as specified by Invacare UK / Invacare Service Representative. Defective component part(s) must be returned for warranty inspection using the serial number as identification within thirty (30) days of return authorization date. DO NOT return products to our factory without prior consent.

LIMITATIONS AND EXCLUSIONS: THE FOREGOING WARRANTY DOES NOT COVER NORMAL WEAR AND TEAR AND SHALL NOT APPLY TO PRODUCTS SUBJECTED TO NEGLIGENCE, ACCIDENT, IMPROPER OPERATION, MAINTENANCE OR STORAGE, COMMERCIAL OR INSTITUTIONAL USE, PRODUCTS MODIFIED WITHOUT INVACARE'S EXPRESS WRITTEN CONSENT (INCLUDING, BUT NOT LIMITED TO, MODIFICATION THROUGH THE USE OF UNAUTHORIZED PARTS OR ATTACHMENTS) OR TO PRODUCTS DAMAGED BY REASON OF REPAIRS MADE TO ANY COMPONENT WITHOUT THE SPECIFIC CONSENT OF INVACARE UK / INVACARE SERVICE REPRESENTATIVE.

UNITED STATES LIMITED WARRANTY

PLEASE NOTE: THE WARRANTY BELOW HAS BEEN DRAFTED TO COMPLY WITH FEDERAL LAW APPLICABLE TO PRODUCTS MANUFACTURED AFTER JULY 4, 1975.

This warranty is extended only to the original purchaser/user of our products.

This warranty gives you specific legal rights and you may also have other legal rights which vary from state to state.

Invacare warrants its product to be free from defects in materials and workmanship for two (2) years on back and 90 days on cover of use by original purchaser. If within such warranty period any such product shall be proven to be defective, such product shall be repaired or replaced, at Invacare's option. This warranty does not include any labor or shipping charges incurred in replacement part installation or repair of any such product. Invacare's sole obligation and your exclusive remedy under this warranty shall be limited to such repair and/or replacement.

For warranty service, please contact the dealer from whom you purchased your Invacare product. In the event you do not receive satisfactory warranty service, please write directly to Invacare at the address on the next page. Provide dealer's name, address, model number, and the date of purchase, indicate nature of the defect and, if the product is serialized, indicate the serial number.

Invacare Corporation will issue a return authorization. The defective unit or parts must be returned for warranty inspection using the serial number, when applicable, as identification within thirty (30) days of return authorization date. DO NOT return products to our factory without our prior consent. C.O.D. shipments will be refused; please prepay shipping charges.

LIMITATIONS AND EXCLUSIONS: THE WARRANTY SHALL NOT APPLY TO PROBLEMS ARISING FROM NORMAL WEAR OR FAILURE TO ADHERE TO THE ENCLOSED INSTRUCTIONS. IN ADDITION, THE FOREGOING WARRANTY SHALL NOT APPLY TO SERIAL NUMBERED PRODUCTS IF THE SERIAL NUMBER HAS BEEN REMOVED OR DEFACED; PRODUCTS SUBJECT TO NEGLIGENCE, ACCIDENT, IMPROPER OPERATION, MAINTENANCE OR STORAGE; OR PRODUCTS MODIFIED WITHOUT INVACARE'S EXPRESS WRITTEN CONSENT INCLUDING, BUT NOT LIMITED TO: MODIFICATION THROUGH THE USE OF UNAUTHORIZED PARTS OR ATTACHMENTS; PRODUCTS DAMAGED BY REASON OF REPAIRS MADE TO ANY COMPONENT WITHOUT THE SPECIFIC CONSENT OF INVACARE; PRODUCTS DAMAGED BY CIRCUMSTANCES BEYOND INVACARE'S CONTROL; PRODUCTS REPAIRED BY ANYONE OTHER THAN AN AUTHORIZED INVACARE DEALER, SUCH EVALUATION SHALL BE SOLELY DETERMINED BY INVACARE.

THE FOREGOING WARRANTY IS EXCLUSIVE AND IN LIEU OF ALL OTHER EXPRESS WARRANTIES, IF ANY, INCLUDING THE IMPLIED WARRANTIES OF MERCHANTABILITY AND FITNESS FOR A PARTICULAR PURPOSE.

IT SHALL NOT EXTEND BEYOND THE DURATION OF THE EXPRESSED WARRANTY PROVIDED HEREIN AND THE REMEDY FOR VIOLATIONS OF ANY IMPLIED WARRANTY SHALL BE LIMITED TO REPAIR OR REPLACEMENT OF THE DEFECTIVE PRODUCT PURSUANT TO THE TERMS CONTAINED HEREIN. INVACARE SHALL NOT BE LIABLE FOR ANY CONSEQUENTIAL OR INCIDENTAL DAMAGES WHATSOEVER.

THIS WARRANTY SHALL BE EXTENDED TO COMPLY WITH STATE/PROVINCIAL LAWS AND REQUIREMENTS.

Hinweis: Überprüfen Sie alle Teile auf evtl. Transportbeschädigungen. Im Falle einer Beschädigung sollten Sie die Teile NICHT BENUTZEN. Wenden Sie sich bei Reklamationen an Ihren Fachhändler.

SICHERHEIT - ZUSAMMENFASSUNG

Die nach folgenden Hinweise diene der korrekten und sicheren Montage Personal Seat sowie die Einstellung der Härte des Kissens.

Die Warnungen/Sicherheitshinweise beziehen sich auf unsachgemäße Anwendungen, die zu Verletzungen und/oder Beschädigung des Artikels führen können.

WARNUNG

Benutzen Sie diesen Artikel NICHT, bevor Sie diese Anweisungen gelesen und verstanden haben. Sollten Unklarheiten bestehen im Verständnis der Warnungen, Sicherheitshinweise oder der Bedienungsanleitung, wenden Sie sich an Ihren Gesundheitsschutzbeauftragten oder an das technische Personal, bevor Sie versuchen, diese Ausrüstung einzusetzen; anderenfalls kann es zu Verletzungen oder Beschädigungen kommen.

Die beste Vorgehensweise zur Verhinderung von Problemen aufgrund von Druckstellen ist, zu verstehen, wie sie entstehen und welche Rolle Sie bei den vorbeugenden Hautschutzmaßnahmen haben.

Wenden Sie sich an Ihren Therapeuten und Ihren Arzt, sollten Sie Fragen in bezug auf Gewichtsverteilung, Selbstüberprüfung Ihrer Haut oder sonstige individuelle Einschränkungen und Bedürfnisse haben.

Sie sollten alle Kissen, die zur Verhinderung oder zur Behandlung von Decubitus-Geschwüren (Hautdruckstellen) eingesetzt werden sollen, sorgfältig aussuchen. Wenden Sie sich an Ihren Therapeuten, Arzt und Kissenlieferanten und stellen Sie somit sicher, daß die Auswahl der Kissen Ihren persönlichen Bedürfnissen bestens entspricht.

Da die persönlichen Bedürfnisse sich immer komplexer gestalten, wird die Wahl der richtigen Kissen immer wichtiger.

Sie sollten den Zustand Ihrer Haut nach Einsatz von neuen Kissen sehr häufig überprüfen.

EINFÜHRUNG

Die persönliche Sitzunterlage ist zur Verstärkung der Beckenstabilität, der Beinposition und zur Erleichterung von Druckbelastungen entworfen. Der äußere Bezug ist aus einem wasserabstoßenden Material zum Schutz des Schaumstoffes hergestellt. Der Schaumstoff ist außerdem mit einer wasserabweisenden Beschichtung versehen und ist daher zusätzlich geschützt.

Befestigungsriemen (Unterseite des Kissenbezuges)



ABBILDUNG 1 - PERSÖNLICHER SITZ

ANBRINGEN DES KISSENS AN DER SITZFLÄCHE

Der persönliche Sitz wird mittels der Haken- und Schlaufenbefestigung an der Unterseite des Kissenbezuges an der Polsterung des Rollstuhls befestigt.

HINWEIS: Der Reißverschluss des Kissens sollte nach hinten zeigen.

Rollstuhlsitzfläche

1. Stellen Sie fest, ob die Rollstuhlsitzfläche eine Haken- oder Schlaufenbefestigung hat.
2. Wenn der Rollstuhl über Befestigungsschlaufen verfügt, stellen Sie sicher, daß die doppelseitigen Hakenschlaufen sicher mit den Schlaufen an der Unterseite des Kissens verbunden sind.

3. Schließen Sie die Vorderkanten des Kissens und der Sitzfläche deckungsgleich an.
4. Befestigen Sie das Kissen an die Sitzfläche und stellen Sie sicher, daß die doppelseitigen Haken sicher mit den Auffangschlaufen am Kissenbezug und auf dem Rollstuhl verbunden sind.
5. Sollte der Rollstuhl Hakenbefestigungsstreifen haben, entfernen Sie die doppelseitigen Hakenstreifen vom Kissen.
6. Schließen Sie die Vorderkanten des Kissens und der Sitzfläche deckungsgleich an.
7. Befestigen Sie das Kissen an die Sitzfläche und stellen Sie sicher, daß die Auffangschlaufen am Kissenbezug mit den Haken auf dem Rollstuhl verbunden sind.
8. Sollte die Rollstuhlsitzfläche weder Haken noch Schlaufen haben, entfernen Sie die doppelseitigen Hakenstreifen vom Kissenboden.
9. Schließen Sie die Vorderkanten des Kissens und der Sitzfläche deckungsgleich an.
10. Legen Sie das Kissen auf die Sitzfläche des Rollstuhls.

WARNUNG

Stellen Sie sicher, daß die Haken- und Schlaufenbefestigung sicher an der Sitzfläche befestigt sind, bevor Sie das Kissen benutzen. Wenn das Kissen nicht ordnungsgemäß an der Rollstuhlsitzfläche gesichert ist, besteht Kippgefahr beim Ein- und Aussteigen.

BENUTZUNG UND WARTUNG IHRES PERSÖNLICHEN SITZES

Anbringen des Kissenbezuges

Der Kissenbezug ist ordnungsgemäß angebracht, wenn der Reißverschluß sich an der Rückseite des Kissens befindet. Die Rückseite des Kissens ist wo sich das Flüssigkeitskissen befindet. Zusätzlich finden Sie auf der Rückseite des Kissens die Markierung „BACK“.

Anbringen des Flüssigkeitskissens

Das Flüssigkeitskissen kann leicht und ordnungsgemäß in der dafür vorgesehenen Ausbuchtung untergebracht werden, indem Sie die Schlaufenstreifen mit den entsprechenden Hakenstreifen in der Ausbuchtung an der Unterseite des Kissens koordiniert anbringen. Das Flüssigkeitskissen ist größer als die dafür vorgesehene Ausbuchtung. Sie müssen es daher wie einen Fächer in Falten legen, damit es vollständig in die Ausbuchtung paßt.

Überprüfung des Flüssigkeitsstandes

HINWEIS: Regelmäßige Überprüfung bedeutet die „tägliche“ Überprüfung bei Anwendern mit hohem Risikofaktor. Bei Anwendern mit mittlerem und niedrigem Anwenderrisiko überprüfen Sie den Flüssigkeitsstand entweder „wöchentlich“ oder „alle zwei Wochen“.

Sie sollten regelmäßig prüfen, ob das Kissen für alle herausragenden knöchernen Körperteile genügend Flüssigkeit hat, so daß diese Körperteile auf dem Kissen die entsprechende „schwebende“ Polsterung haben. Die erste Anpassung des Kissens sollte daher nach fünfzehn (15) Minuten Benutzung überprüft werden. Prüfen Sie dann, ob das Kissen Bereiche aufzeigt, die nicht mit genügend Flüssigkeit versorgt sind und prüfen Sie die entsprechenden Hautstellen auf rote Druckstellen. Jeder Bereich, von dem die gewichene Flüssigkeit weniger als 3mm Dicke hinterlassen hat, bedeutet, daß mehr Flüssigkeit hinzugegeben werden muß.

HINWEIS: Denken Sie daran, daß jene Stellen, die keine Flüssigkeit haben, durch einen 19mm dicken Schaumstoff unterstützt werden und daher helfen, gewisse knöchernen Körperteile abzupolstern.

Temperatur Erwägungen:

WARNUNG

Die Lagerung des Kissens in Bereichen extremer Kälte oder Hitze kann zu einer Kissentemperatur führen, die unter Umständen die Haut des Benutzers beschädigen kann.

Wenn das Kissen unter 5°C oder über 32°C gelagert wird, dann sollten Sie dem Kissen etwas Zeit geben, um normale Zimmertemperatur vor seiner Benutzung zu erreichen. Das entfernbar Flüssigkeitskissen kann in kaltes oder warmes Wasser getaucht werden, um den Temperaturwechsel zu beschleunigen. (Die Wassertemperatur sollte nie über 50°C sein).

In einem geschlossenen Auto können die Temperaturen über 94°C geraten, wenn es in direkter Sonneneinwirkung geparkt ist. Wenn Ihr Kissen solchen Temperaturen ausgesetzt war, sollten Sie die Temperatur des Kissens vor der Benutzung prüfen und feststellen, ob die Flüssigkeit im Kissen eine normale Temperatur hat. Lesen Sie **INSPEKTION UND REINIGUNG** in dieser Bedienungsanleitung.

Wartung des Kissenbezuges

Der Bezug des persönlichen Sitzkissens ist aus wasserabstoßendem Stoff hergestellt. Die Seiten und die Oberfläche des Kissens sind aus einem patentierten, dehnbaren wasserabstoßendem Material gefertigt. Der Boden des Kissens ist aus einem speziell schwerem, wasserabstoßendem Material gefertigt. Im Falle einer Inkontinenz, kann es zu Wassereintritt an der Naht oder am Reißverschluß des äußeren Bezuges kommen; in diesem Falle muß die wasserabstoßende Beschichtung gereinigt werden. Der Bezug sollte mit warmem Wasser in der Waschmaschine gewaschen und zum Trocknen aufgehängt werden. Folgen Sie der Anleitung unter der Überschrift **INSPEKTION UND REINIGUNG** in dieser Bedienungsanleitung.

Inspektion und Reinigung

1. Um sicherzustellen, daß das Kissen wie gewünscht funktioniert und eingesetzt werden kann, ist die regelmäßige Inspektion und die Reinigung des Kissens wichtig.

WARNUNG

Verwenden Sie das Produkt nicht weiter, wenn Sie Defekte entdeckt haben.

2. Sie sollten wöchentlich alle Teile einschließlich der Komponenten, Halterungen, Polsterung, Schaumstoff und Kunststoffe auf Deformierung, Korrosion, Bruch, Verschleiß oder Kompression überprüfen.

3. Inspektion des Flüssigkeitskissens.

HINWEIS: Der flüssige Inhalt des Kissens ist ungiftig. Bei normaler Anwendung wird die Flüssigkeitstasche weder reißen noch ein Leck aufzeigen. Sollten Sie ein Leck feststellen, wechseln Sie die Flüssigkeitstasche SOFORT aus.

Als Teil einer regelmäßigen Inspektion des Kissens sollte das Flüssigkeitskissen aus der Ausbuchtung herausgenommen und inspiziert werden. Wenn das Kissen Temperaturen von 54°C oder größer ausgesetzt war, dann sollte sofort eine Inspektion unternommen werden. Die Flüssigkeit im Kissen sollte weiß und von gleichmäßiger Konsistenz sein. Wenn Flüssigkeitsbereich transparent sind, dann hat sich die Flüssigkeit in seine einzelnen Bestandteile aufgelöst und muss erneut gemischt werden. Sie können die Flüssigkeit erneut mischen, indem Sie das Kissen kneten, bis die Flüssigkeit überall wieder weiß ist. Legen Sie das Kissen gemäß der **INSTALLATIONSANWEISUNG DES FLÜSSIGKEITSKISSENS** in dieser Bedienungsanleitung wieder ein.

4. Wir empfehlen eine wöchentliche Reinigung.

ACHTUNG

Waschen Sie den Sitzbezug in einer **MASCHINENWÄSCHE** mit kaltem Wasser in einem sanften Waschgang und verwenden Sie ein mildes Waschmittel. Benutzen Sie **KEINE** Weichmacher oder Bleichmittel. Trocknen Sie es **NICHT** in einem Wäschetrockner. Trocknen Sie es **NUR** an der Luft. Trocknen Sie es **NICHT** in direkter Sonne.

5. Verwenden Sie zur Reinigung der wasserabstoßenden Beschichtung ein weiches Tuch und reinigen Sie es mit warmem Wasser und einer milden Seifenlösung. Spülen Sie es ab und lassen Sie es trocknen.

ACHTUNG

Der Kissenbezug dient dem Schutz des Inlets, z.B. im Falle einer Inkontinenz. Benutzen Sie das Kissen niemals ohne Bezug!

FESTE KISSENUNTERLAGE

Die feste Kissenunterlage dient dazu das Durchhängen der Schlingenpolsterung zu vermindern und eine feste und stabile Stützung zu gewährleisten.

INSTALLATION DER FESTEN KISSENUNTERLAGE (ABBILDUNGEN 1, 2 & 3)

1. Entfernen Sie das Sitzkissen des Rollstuhls.

2. Öffnen Sie den Bezug des Sitzes und nehmen Sie den Schaumstoff des Sitzes heraus. (**ABBILDUNG 1**).

HINWEIS: ENTFERNEN SIE NICHT das Schutzpapier des Klebebandes bevor Sie den Positionierungsbereich des Schaumstoffes markiert haben. Stellen Sie den Positionierungsbereich eindeutig fest, da die Kissenunterlage nicht sicher festgeklebt werden kann, nachdem sie einmal festgeklebt und dann wieder entfernt wurde.

3. Legen Sie die Oberfläche der Kissenunterlage mit dem Klebestreifen auf den Boden des persönlichen Sitzkissens (**ABBILDUNG 2**).

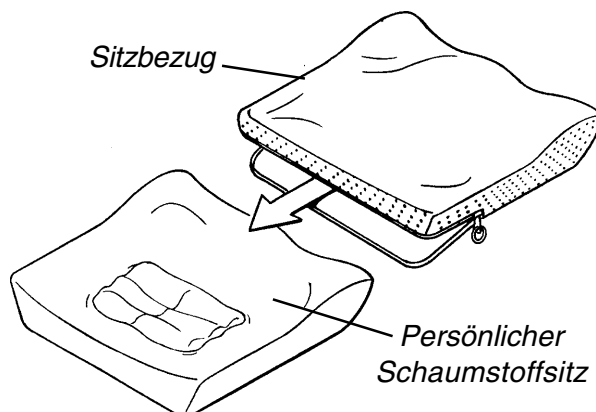


ABBILDUNG 1 - ENTFERNEN DES SITZSCHAUMSTOFFS VOM SITZBEZUG

WARNUNG

Die **VORDERE** Kante der festen Sitzunterlage muß parallel zur **VORDEREN** Kante des persönlichen Sitzes jedoch um 1.25 cm zurückversetzt angebracht werden, so daß die Beine des Benutzers die vordere Kante der Kissenunterlage nicht berühren. Dieses könnte zur Verletzung des Benutzers oder zur Beschädigung der Unterlage führen.

4. Plazieren Sie die Kissenunterlage 1.25 cm von der Vorderkante des Schaumstoffs, während Sie die rechte und linke Seite festhalten. (**ABBILDUNG 2**).

ACHTUNG

Achten Sie darauf, daß Sie die Schaumstoffbeschichtung **NICHT** einschneiden oder anreißen.

5. Markieren Sie den Schaumstoff mit einem Markierstift, Kugelschreiber oder Bleistift und benutzen Sie die Sitzunterlage als Ihre Schablone zur Markierung des Positionierungsbereichs.
6. Nach der Markierung des Positionierungsbereichs, entfernen Sie das Schutzpapier der Klebestreifen auf der Sitzunterlage und befestigen Sie die Unterlage am Boden des Schaumstoffs (**Unterseite**) (**ABBILDUNG 2**).
7. Drücken Sie die Sitzunterlage fest auf den Schaumstoff des persönlichen Sitzes. (**ABBILDUNG 2**).

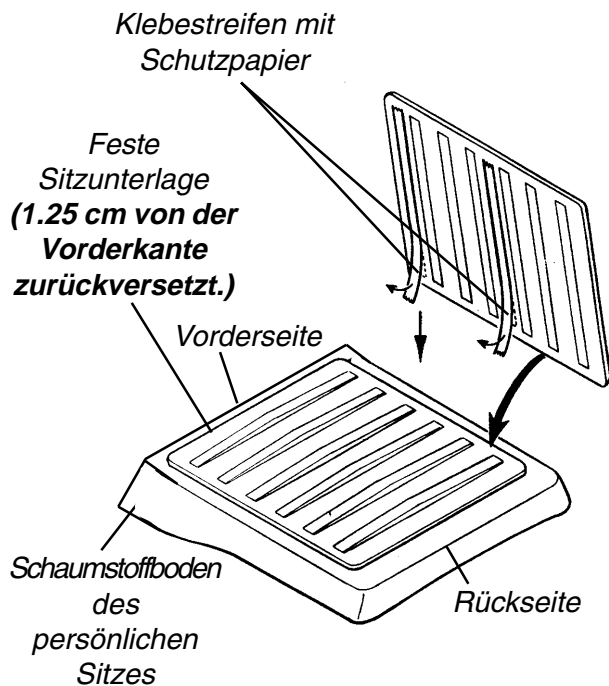


ABBILDUNG 2 - BEFESTIGEN DER SITZUNTERLAGE

8. Führen Sie den Schaumstoff wieder in den Bezug ein und benutzen sie die Haken und Schleifenbefestigung zur Befestigung des Bezugs am Rollstuhl.

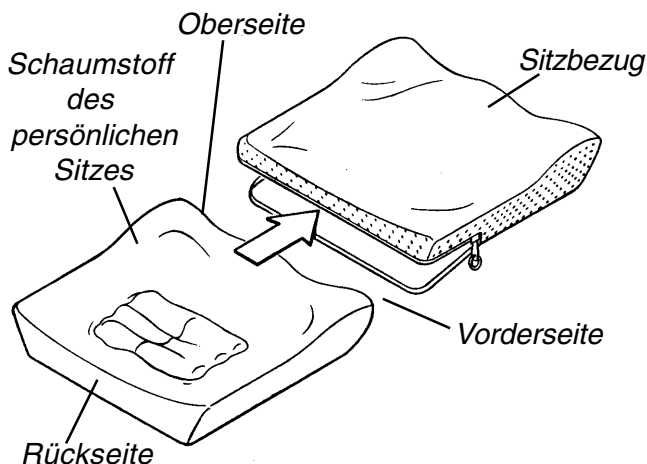


ABBILDUNG 3 - WIEDEREINFÜHREN DES KISSENS IN DEN BEZUG

HINWEIS ZUR GARANTIE

Diese Gewährleistung erstreckt sich nur auf den Erstkäufer dieses Produktes und hat keinerlei einschränkende Wirkung auf die normalen Konsumentenrechte.

Invacare garantiert für die Dauer von zwei (2) Jahren seit dem Kaufdatum, daß die Schaumstoffkissen keinerlei materielle Defekte haben. Der Kissenbezug hat eine Garantie für einen Zeitraum von neunzig (90) Tagen ab Kaufdatum. Invacare garantiert dem Originalkäufer bzw. Benutzer daß alle Metallteile frei von material- und/oder Verarbeitungsdefekten sind. Diese Garantie gilt für die gesamte Einsatzzeit des Produktes, schließt jedoch jegliche Holz, Schaumstoff und Polsterungsteile aus. Sollte innerhalb dieser Garantiezeit Invacare angemessener Beweis vorliegen, daß das Produkt defekt war, so wird es entweder je nach Wahl Invacare repariert oder ersetzt. Diese Garantie bezieht exklusiv nur auf die Verpflichtung von Invacare die Behebung des unter dieser beschränkten Garantie entstandenen Produktschadens durch Reparatur oder Ersatz durchzuführen.

Zur Inanspruchnahme des Garantieservices wenden Sie sich zu den normalen Geschäftszeiten an Invacare. Nach Erhalt einer Fehlermeldung wird Invacare Ihnen eine Rücksendungsgenehmigung ausstellen. Das Produkt kann dann entweder an das Invacare Werk oder das Invacare Servicezentrum wie durch Invacare angegeben, zurückgesandt werden. Defekte Bauteile, die zu einer unter der Garantie abgedeckten Inspection zurückgesandt werden sollen, müssen unter Angabe des Rücksendungsbezugszeichens innerhalb von dreissig (30) Tagen zurückgesandt werden. Bitte senden Sie keine Produkte an unser Werk ohne Rücksendungsgenehmigung.

EINSCHRÄNKUNGEN UND GEWÄHRLEISTUNGS AUSSCHLÜSSE: DIE VORSTEHENDE GEWÄHRLEISTUNG GILT NICHT BEI NORMALEN VERSCHLEIßERSCHINUNGEN, FAHRLÄSSIGKEIT, UNFÄLLEN, UNSACHGEMÄßER HANDHABUNG, WARTUNG ODER LAGERUNG, KOMMERZIELLER NUTZUNG DER PRODUKTE, PRODUKTÄNDERUNGEN OHNE AUSDRÜCKLICHE SCHRIFTLICHE GENEHMIGUNG SEITENS INVACARE (EINSCHLIEßLICH UNTER ANDEREM ÄNDERUNG DURCH VERWENDUNG NICHT GENEHMIGTER TEILE ODER ANBAUTEN) ODER FÜR PRODUKTE, DIE OHNE GENEHMIGUNG SEITENS INVACARE REPARIERT ODER DURCH UMSTÄNDE BESCHÄDIGT WURDEN, DIE AUßERHALB DER EINFLUßMÖGLICHKEITEN VON INVACARE LIEGEN.

NB: Controleer alle delen op beschadiging tijdens vervoer. Als er beschadigingen zijn, NIET gebruiken. Neem contact op met uw leverancier voor verdere inlichtingen.

KORTE VEILIGHEIDSINLEIDING

Voor de veilige installatie van de Personal Seat en de Cushion Rigidizer wordt het volgende aanbevolen:

De **WAARSCHUWINGEN** zijn van toepassing op gevaren of onveilig gebruik die tot lichte verwondingen en/of beschadiging van de apparaten kunnen leiden.

WAARSCHUWING

Deze uitrusting **NIET** installeren voordat u eerst deze instructies gelezen en begrepen hebt. Als het u niet lukt deze instructies te begrijpen, neem dan contact op met een medewerker van de gezondheidszorg, leverancier of de technische staf voordat u probeert deze uitrusting te gebruiken. Dit kan anders tot verwondingen of beschadigingen leiden.

De beste manier om problemen door drukpijnen te vermijden is hun oorzaken en uw rol in een huidbehandelingsprogramma te begrijpen.

Raadpleeg uw therapeut en dokter als u vragen hebt over uw persoonlijke beperkingen en behoeften.

Alle kussens die gebruikt worden om decubituszweren (drukpijnen) te voorkomen of te behandelen, moeten zorgvuldig gekozen worden. Samenwerken met uw therapeut en dokter is de beste manier om te waarborgen dat de keuze van het kussen past bij uw persoonlijke behoeften.

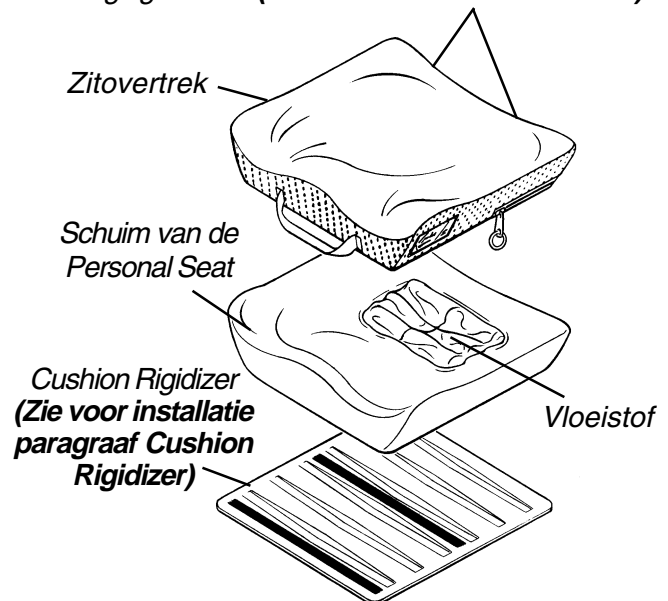
Omdat de behoeften van het individu meer complex worden, wordt de evaluatie van het kussen belangrijker.

Elke keer dat er een nieuw kussen wordt gebruikt dient de conditie van de huid gecontroleerd te worden.

INTRODUCTIE

Het Personal Seat-kussen is ontworpen om de gebruiker stabiliteit over het bekken, beenpositie en drukverdeling te geven. De overtrek is gemaakt van een waterafstotende stof om het schuim te beschermen en het schuim is bedekt met een waterafstotende dekking voor extra bescherming. Midden van de rechter- en van de linkerkant.

Bevestigingsriemen (**Onderkant van de zitovertrek**)



FIGUUR 1 - PERSONAL SEAT

HET BEVESTIGEN VAN HET KUSSEN OP DE ZITOPPERVLAKTE

De Personal Seat wordt met gebruik van klitteband aan de onderkant van het kussenovertrek aan de zitbekleding van de rolstoel vastgemaakt.

NB: De rits op het kussen moet naar achteren gericht zijn.

De Zitoppervlakte Van de Rolstoel

1. Stel vast of de zitoppervlakte van de rolstoel haak- of lusbevestigingsstrippen heeft.
2. Als de rolstoel lusbevestigingsstrippen heeft, verzeker u er dan van dat de dubbelzijdige haakstrippen stevig aan de lusbevestigingsstrippen aan de onderkant van het kussen zijn vastgemaakt.
3. Leg de voorkant van het kussen op één lijn met de voorkant van de zitoppervlakte.
4. Maak het kussen aan de zitoppervlakte vast, waarbij u moet zorgen dat de dubbelzijdige haak stevig is vastgemaakt aan de lusstrippen op de kussenovertrek en de stoel.
5. Als de rolstoel haakbevestigingsstrippen heeft, verwijder dan de dubbelzijdige haakstrippen van het kussen.
6. Leg de voorkant van het kussen op één lijn met de voorkant van de zitoppervlakte.
7. Maak het kussen aan de zitoppervlakte vast, waarbij u moet zorgen dat het klitteband stevig op de stoel vast zit.

8. Als de zitoppervlakte van de rolstoel haak-noch lusbevestigingsstrippen heeft, verwijdert u de dubbelzijdige haak van de onderkant van de overtrek.
9. Leg de voorkant van het kussen op één lijn met de voorkant van de zitoppervlakte.
10. Leg het kussen op de zitoppervlakte van de rolstoel.

WAARSCHUWING

Zorg dat vóór gebruik de haken en lussen stevig aan de zitoppervlakte en het kussen zijn vastgemaakt. Als het kussen niet aan de zitoppervlakte van de rolstoel vast zit, moet u voorzichtig zijn bij het in en uit de rolstoel plaatsen van de patiënt.

GEBRUIK EN ONDERHOUD VAN DE PERSONAL SEAT

Het Aanbrengen van de Overtrek

De overtrek is op de juiste wijze aangebracht als de rits aan de achterkant van het kussen zit. De achterkant van het kussen is waar het vloeistofkussentje zich bevindt. Er staat ook op de achterkant van het kussen: "ACHTERKANT".

De Installatie van het Fluid Pad

Het kussentje wordt gemakkelijk en op juiste wijze in de uitdieping geïnstalleerd door het klitteband aan de onderkant van het kussentje met in de uitdieping van het kussen te verbinden. Het ontwerp van het kussentje is breder dan de uitdieping dus het kussentje moet met harmonikavouwen aangebracht worden zodat het gehele kussentje in de uitdieping past.

Het Controleren van het Vloeistofniveau:

NB: Regelmatig controleren betekent "dagelijks" controleren voor gebruikers met een verhoogd risico, "wekelijks" voor gebruikers met een gemiddeld risico en "om de week" voor gebruikers met een laag risico.

Controleer regelmatig of er voldoende vloeistof is om uitstekende botten goed te laten "drijven". Test het kussen vijftien (15) minuten uit. Inspecteer dan zowel het vloeistofkussentje op zones waar het niet geheel dekkend is, als de huid van de gebruiker op rode plekken door druk. Elke zone waar de vloeistof is weggetrokken, en minder dan 3mm dekking heeft achtergelaten, heeft extra vloeistof nodig.

NB: Houd in gedachten dat de zones zonder vloeistof een onderkussen van zacht schuim van 19mm hebben dat voorkomt dat de uitstekende botten eronder uitsteken.

Temperatuurvoorwaarden:

WAARSCHUWING

Door opberging van het kussen in bijzonder koude of bijzonder warme ruimtes kan de vloeistof een temperatuur bereiken die de huid van de gebruiker schade kan toebrengen.

Als het kussen opgeborgen is onder 5°C of boven 32°C, moet het vloeistofkussentje van het kussen vóór gebruik eerst de tijd krijgen om op normale kamertemperatuur te komen. Het verwijderbare vloeistofkussentje kan in warm of in koud water ondergedompeld worden om de temperatuurverandering sneller te laten gaan. (De temperatuur van het water mag niet hoger worden dan 50°C.)

De temperatuur in een gesloten auto kan tot hoger dan 94°C oplopen als hij in direct zonlicht geparkeerd staat. Als uw kussen wordt blootgesteld aan opgelopen temperaturen, controleer de temperatuur van het vloeistofkussentje voordat u het gaat gebruiken en verzeker u ervan dat de vloeistof in het kussentje uniform blijft. Zie **INSPECTIE EN SCHOONMAKEN**.

Het onderhouden van de Overtrek

De overtrek van de Personal Seat is vervaardigd met waterafstotende materialen. De boven- en zijkanten zijn vervaardigd met een geotrooieerde uittrekbare stof. De onderkant is vervaardigd van een speciale waterdichte extra sterke stof. In het geval van incontinentie kan het wat gaan lekken bij de naadstikking of de rits, en moet de waterafstotende dekking schoongemaakt worden. De overtrek moet met de machine in warm water gewassen worden en opgehangen worden om te drogen. Zie **INSPECTIE EN SCHOONMAKEN**.

Inspectie en Schoonmaken

1. Om te zorgen dat het kussen werkt zoals bedoeld, is het noodzakelijk het kussen op een regelmatige basis te inspecteren en schoon te maken.

WAARSCHUWING

Stop met het gebruik van dit product als een van de volgende problemen zoals beschreven aan het licht komen. Een juist onderhoud kan uitgevoerd of geregeld worden door uw leverancier.

2. Inspecteer wekelijks alle delen waaronder montagemateriaal, bekledingmateriaal, schuim (als er bij te komen is) en plastic op vervorming, verroesting, scheuren, slijtage en/of samendrukking.

3. Inspectie van het Fluid Pad:

NB: De inhoud van de vloeistofzak is niet giftig. De zak zal bij normaal gebruik niet breken of lekken. Als u merkt dat hij lekt, vervang de zak dan ONMIDDELLIJK.

Als onderdeel van de regelmatige inspectie moet het vloeistofkussentje uit de uitdieping in het kussen gehaald worden en ook geïnspecteerd worden. Als het kussen aan temperaturen van 54°C of hoger wordt blootgesteld, moet deze inspectie onmiddellijk uitgevoerd worden. De vloeistof in het kussentje moet uniform wit van kleur en homogeen zijn. Als bepaalde zones van de vloeistof doorschijnend zijn, dan is de vloeistof waarschijnlijk in zijn componenten afgebroken en moet hij opnieuw gemengd worden. Het mengen van de vloeistof wordt gedaan door het kussentje te bekneden totdat de vloeistof uniform wit van kleur is. Installeer het kussentje weer in de uitdieping volgens de **INSTALLATIE-INSTRUCTIES VAN HET FLUID PAD**.

4. Wekelijks schoonmaken wordt aanbevolen.

WAARSCHUWING

De zitovertrek **MET DE MACHINE** in koud water wassen, met een rustige cyclus en met gebruik van een mild wasmiddel. **GEEN** wasverzachters of bleekmiddel gebruiken. **NIET** met de droogtrommel drogen. **ALLEEN** natuurlijk laten drogen. **NIET** in de zon laten drogen.

- Om de waterafstotende schuimbedekking schoon te maken, gebruikt u een zachte doek en wrijft u hem schoon met warm water en een milde zeepoplossing. Spoel af en maak droog.

WAARSCHUWING

De overtrek is ontworpen om het schuim tegen de incontinentie van de gebruiker te beschermen en om vuurvertraging te bieden. Daarom moet het kussen niet zonder de overtrek gebruikt worden. Als de overtrek gescheurd is, moet hij vervangen worden.

DE CUSHION RIGIDIZER

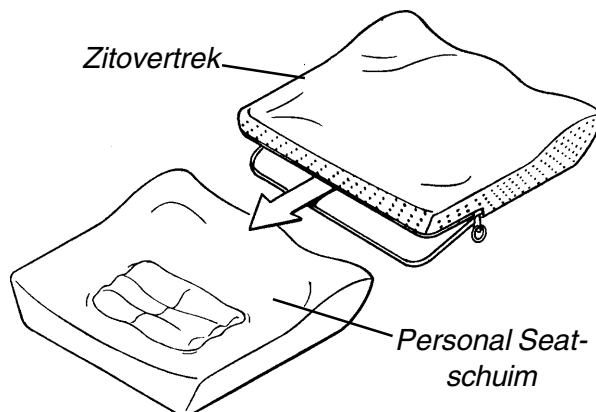
De Cushion Rigidizer is ontworpen om het hangmateffect van de bandbekleding te verminderen door een stevige, stabiele steunbasis te bieden.

HET INSTALLEREN VAN DE CUSHION RIGIDIZER (FIGUUR 1, 2 & 3)

- Verwijder het zitkussensamenstel van de stoel.
- Open de zitovertrek en verwijder het schuim van de Personal Seat (FIGUUR 1).

NB: VERWIJDER het beschermepapier van de zelfklevende strippen NIET totdat u de plaats op het schuim van de Personal Seat hebt aangegeven. Verzekert u ervan dat u de goede plaats hebt gekozen daar de Cushion Rigidizer niet meer goed vast gaat zitten als hij geïnstalleerd en daarna verwijderd wordt.

- Leg de oppervlakte van de Cushion Rigidizer met de zelfklevende tape tegen de onderkant van het Personal Seat-kussen (FIGUUR 2).



FIGUUR 1 - VERWIJDER HET PERSONAL SEAT-SCHUIM VAN DE ZITOVERTREK

WAARSCHUWING

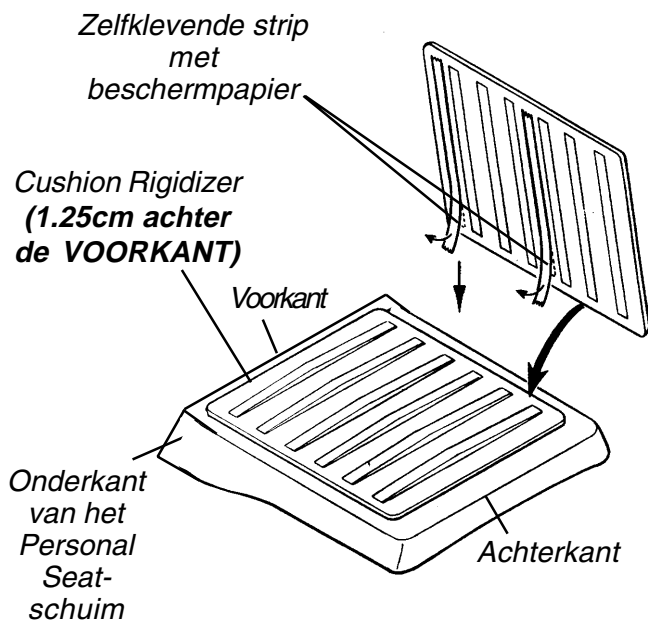
De **VOORKANT** van de Rigidizer **MOET** parallel liggen met de **VOORKANT** van het Personal Seat-schuim en 1.25cm erachter zodat de benen van de gebruiker niet in contact komen met de voorkant van de Rigidizer wat de gebruiker kan verwonden of de Rigidizer kan beschadigen.

- Leg de Cushion Rigidizer 1.25cm van de **VOORKANT** van het Personal Seatschuim af en leg het in het midden van de rechter- en van de linkerkant (FIGUUR 2).

WAARSCHUWING

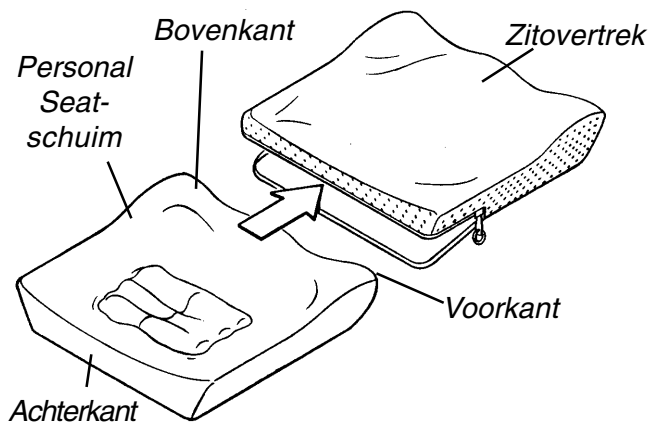
De schuimbedekking **NIET** knippen of scheuren.

- Omlijn het Personal Seat-schuim met een pen of potlood en gebruik de omtrek van de Cushion Rigidizer om aan te duiden waar hij geplaatst moet worden.
- Nadat u hebt aangegeven waar hij geplaatst moet worden, verwijdert u het beschermepapier van de zelfklevende strippen op de Cushion Rigidizer en installeert u de Rigidizer op de **onderkant** van het Personal Seat-schuim (FIGUUR 2).
- Druk het stevig aan zodat de Cushion Rigidizer aan het Personal Seat-schuim vast blijft zitten (FIGUUR 2).



FIGUUR 2 - HET INSTALLEREN VAN DE RIGIDIZER

8. Installeer het Personal Seat-schuim weer in de zitovertrek en gebruik de haken en lussen om de zitovertrek aan de stoel vast te maken.



FIGUUR 3 - HET WEER INSTALLEREN VAN HET KUSSEN IN DE ZITOVERTREK

BEPERKTE GARANTIE

Deze garantie wordt alleen aan de oorspronkelijke koper van onze producten verleend en beïnvloedt de statutaire rechten van de koper niet.

De Invacare Service-vertegenwoordiger garandeert dat het schuimkussen vrij is van defecten voor een periode van twee (2) jaar vanaf de datum van aankoop. De overtrek van het kussen heeft een garantie van negentig (90) dagen vanaf de datum van aankoop. Alleen met betrekking tot de oorspronkelijke koper/gebruiker garandeert de Invacare Service-vertegenwoordiger dat de onderdelen die van metaal vervaardigd zijn gedurende de levensduur van het product vrij van defecten in de materialen en uitvoering zijn met uitzondering van de onderdelen van hout, schuimplastic of beklede onderdelen. Indien binnen deze garantieperiode aan de vertegenwoordiger van Invacare Service op bevredigende wijze aangetoond wordt dat het product defecten heeft, zal het gerepareerd of vervangen worden, naar keuze van de vertegenwoordiger van Invacare Service; de enige verplichting van de vertegenwoordiger van Invacare Service en uw uitsluitend recht onder deze garantie zijn beperkt tot hierboven genoemde reparatie of vervanging.

Voor de garantiedienst gelieve tijdens normale werkuren contact op te nemen met de serviceafdeling van Invacare Service-vertegenwoordiger. Na ontvangst van een beweerd defect in een product zal de vertegenwoordiger van Invacare Service een genummerde goedkeuring versturen om het terug te sturen. Het product wordt teuggestuurd, ofwel naar de Invacare-fabriek of naar een servicecentre zoals aangegeven door de vertegenwoordiger van Invacare Service. Onderdelen met defecten moeten binnen dertig (30) dagen na datum van de goedkeuring, met gebruik van het serienummer als identificatie teruggestuurd worden voor garantie-inspectie. Stuur de producten NIET terug naar onze fabriek zonder voorafgaande instemming.

BEPERKINGEN EN UITSLUITINGEN: DE VOORAFGAANDE GARANTIE IS NIET DEKKEND VOOR NORMALE SLUITAGE EN MAG NIET WORDEN TOEGEPAST OP PRODUCTEN DIE BLOOTGESTELD ZIJN AAN VERWAARLOZING, ONGELUKKEN, INCORRECT GEBRUIK, ONDERHOUD OF BEWARING, COMMERCIEEL OF INSTITUTIONEEL GEBRUIK, PRODUCTEN WAARAAN VERANDERINGEN ZIJN AANGEBRACHT ZONDER DE UITDRUKKELIJKE SCHRIFTELIJKE TOESTEMMING VAN INVACARE (DIT GELDT OOK, MAAR NIET ALLEEN VOOR VERANDERINGEN DOOR MIDDEL VAN NIET TOEGESTANE DELEN OF HULPSTUKKEN) OF PRODUCTEN DIE BESCHADIGD ZIJN VANWEGE UITGEVOERDE REPARATIES AAN ONDERDELEN ZONDER DE SPECIFIEKE TOESTEMMING VAN DE VERTEGENWOORDIGER VAN INVACARE SERVICE.

REMARQUE: Vérifier toutes les pièces pour dommages éventuels en cours d'expédition; procéder à des essais avant usage. En cas de dommages, NE PAS UTILISER. Prendre contact avec le fournisseur de l'équipement qui donnera les instructions.

SECURITE

Les recommandations suivantes sont formulées en vue de l'installation en toute sécurité du coussin PERSONAL SEAT et du Raidisseur de Coussin RIGIDIZER:

Les MISES EN GARDE/PRECAUTIONS A PRENDRE sont applicables aux pratiques dangereuses ou hasardeuses qui pourraient occasionner des blessures aux personnes et/ou endommager les biens.

MISES EN GARDE

EVITER d'installer cet équipement sans au préalable avoir lu et compris la feuille d'instructions. Si vous n'êtes pas à même de comprendre ces instructions, prendre contact suivant le cas, avec un professionnel des soins de santé, un concessionnaire ou responsable technique, cela avant d'utiliser cet équipement; dans le cas contraire, des dommages ou des blessures sont à craindre.

La meilleure manière de prévenir la formation d'escarres est d'en connaître les causes et de comprendre votre rôle dans la prévention.

Vous devez consulter votre thérapeute et votre médecin pour toute question relative à des besoins ou limites personnelles.

Tout coussin pour la prévention des escarres doit être choisi avec beaucoup d'attention. Effectuer ce choix avec votre thérapeute et votre médecin est la meilleure garantie d'une bonne adaptation du coussin à vos besoins individuels.

Plus vos besoins individuels sont spécifiques et complexes, plus une évaluation du coussin est importante.

L'état de la peau devrait être vérifié très fréquemment après le placement d'un nouveau coussin.

INTRODUCTION

Le coussin PERSONAL SEAT est conçu pour assurer à l'utilisateur la stabilité pelvienne, le positionnement des jambes et le contrôle de la pression. La housse est en tissu imperméable pour protéger la mousse; la mousse est revêtue d'une couche de protection imperméable supplémentaire.

Bandes de fixation (en-dessous de la housse).

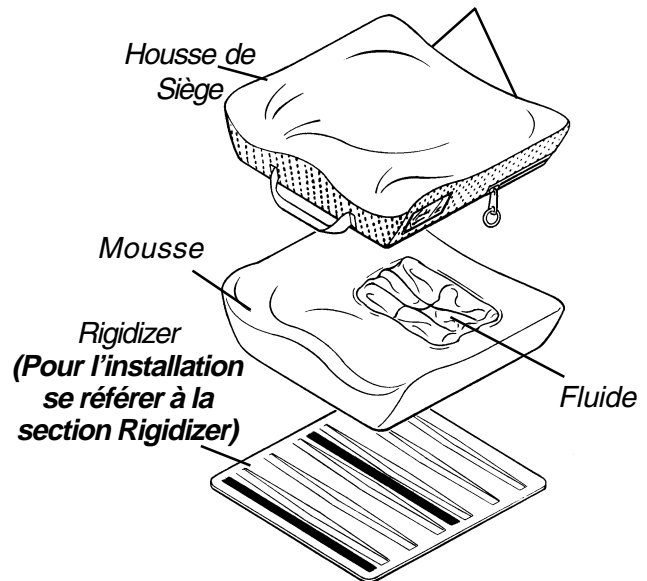


FIGURE 1 - PERSONAL SEAT

FIXATION DU COUSSIN À LA SURFACE DU SIÈGE

PERSONAL SEAT se fixe à la garniture du siège du fauteuil roulant en faisant appel aux bandes auto-agrippantes au-dessous de la housse du coussin.

REMARQUE: La fermeture à glissière du coussin doit faire face à l'arrière.

Face d'assise du Fauteuil Roulant

1. Déterminer si la surface du fauteuil roulant comporte des bandes de fixation à crochets ou à boucles.
2. Si le fauteuil roulant est muni de bandes d'attaches à boucles, vérifier que les bandes à crochets double face soient bien attachées au coussin.
3. Aligner le bord avant du coussin avec le bord avant de la toile d'assise.
4. Fixer le coussin sur la toile d'assise en veillant à ce que le crochet double face soit bien fixé aux bandes à boucles du fauteuil.
5. Si le fauteuil roulant est muni de bandes de fixation à crochets, retirer les bandes à crochets double face du coussin.
6. Aligner le bord avant du coussin avec le bord avant de la toile d'assise.
7. Fixer le coussin à la face d'assise et veiller à ce que les bandes à boucles de la housse du coussin soient bien fixées aux bandes à crochets du fauteuil.

8. Si la surface d'assise du fauteuil roulant n'a pas de bandes de fixation à crochets ou à boucles, retirer la bande à crochets double face du bas de la housse.
9. Aligner le bord avant du coussin avec le bord avant de la face d'assise.
10. Placer le coussin sur l'assise du fauteuil roulant.

MISE EN GARDE

Avant utilisation, veiller à ce que les bandes auto-agrippantes soient bien fixées entre la face d'assise et le coussin. Si le coussin n'est pas fixé à la face d'assise du fauteuil roulant, la prudence s'impose lors des transferts en direction ou hors du fauteuil roulant.

UTILISATION ET ENTRETIEN DE PERSONAL SEAT

Installation de la Housse

La housse est bien installée lorsque la fermeture à glissières est située à l'arrière du coussin. L'arrière du coussin se trouve à la position du fluide. En outre, la face arrière du coussin est marquée "BACK".

Installation du Gel Fluide

Le gel fluide peut être aisément et convenablement installé dans le creux en mariant les bandes à boucles du bas du sac avec les bandes à crochets situées dans le creux de ce coussin. Le sac est prévu plus grand que le creux: par conséquent, il faut plier le sac en accordéon pour qu'il puisse être entièrement introduit dans le creux.

Vérification des Niveaux de Fluide

REMARQUE: Vérification régulière signifie vérification "journalière" pour les usagers à haut risque, "hebdomadaire" pour les usagers à risque moyen et "tous les 15 jours" pour les usagers à bas risques.

Vérifier régulièrement s'il y a suffisamment de fluide pour faire "flotter" les proéminences osseuses; mettre le coussin à l'essai pour quinze minutes. Ensuite examiner le sac à fluide pour vérifier la forme prise ainsi que la peau de l'utilisateur pour vérifier s'il n'y a pas de marques rouges dues à la pression. Toute zone que le fluide a quitté en laissant moins de 3 mm de couverture, pourrait exiger du fluide complémentaire.

REMARQUE: Noter que les zones où il n'y a plus de fluide comportent néanmoins une épaisseur de 19 mm de mousse molle, sous le sac, destinée à empêcher une proéminence osseuse de toucher le fond.

Considérations propres à la température:

MISE EN GARDE

Le stockage du coussin dans des zones de froid ou de chaud intense pourrait avoir comme conséquence une température de fluide de nature à abîmer la peau de l'utilisateur.

Si le coussin a été stocké à des températures inférieures à 5°C ou supérieures à 32°C, le sac de fluide du coussin doit être mis à température ambiante avant utilisation. Le sac de fluide peut être trempé dans de l'eau chaude ou froide pour accélérer le changement de température. (La température de l'eau ne doit pas dépasser 50°C).

Les températures existantes dans une automobile fermée et exposée en plein soleil peuvent dépasser 94°C. Si votre coussin est exposé à ces températures élevées, vérifier la température du sac à fluide et vérifier que le fluide reste uniforme. Se référer à **INSPECTION et NETTOYAGE** sur cette feuille d'instructions.

Entretien de la Housse

La housse de PERSONAL SEAT est fabriquée en matériaux imperméables. Le dessus et les côtés sont en tissu imperméable extensible, breveté. Le dessus est en tissu spécial imperméable et lourd. Dans le cas d'incontinence des pertes peuvent se produire aux coutures ou à la fermeture à glissière; par conséquent la couche imperméable doit être nettoyée. La housse doit être lavée à la machine dans de l'eau chaude et suspendue pour le séchage. Se référer à **INSPECTION et NETTOYAGE** dans cette feuille d'instructions.

Inspection et Nettoyage

1. Afin de s'assurer que le coussin joue son rôle comme prévu, une inspection et un nettoyage réguliers sont nécessaires.

MISE EN GARDE

Éviter de continuer à utiliser ce produit si l'un des problèmes décrits apparaissait. Une réparation peut être réalisée ou organisée par votre fournisseur d'équipement.

2. Une fois par semaine, inspecter visuellement tous les composants, à savoir le matériel, les matériaux de capitonnage, les mousses (si accessibles) et les plastiques pour détection de déformation, corrosion, rupture, usure et/ou compression.
3. **Inspection du Sac à Fluide**

REMARQUE: Le contenu du sac à fluide n'est pas toxique. Le sac ne cassera pas ni ne coulera, en usage normal. Si des pertes sont constatées, remplacer IMMEDIATEMENT le sac.

Dans le cadre de l'inspection régulière du coussin, le sac à fluide doit être retiré du creux du coussin et inspecté. Si le coussin est exposé à des températures de 54°C ou plus, cette inspection doit avoir lieu immédiatement. Le fluide dans le sac doit être de couleur blanche, uniforme et homogène. Si le fluide comporte des zones translucides, il est probablement décomposé et doit être mélangé à nouveau. Un nouveau mélange est réalisé en malaxant le sac jusqu'à ce que le fluide soit uniformément de couleur blanche. Remettre le sac dans le creux d'après les instructions **"INSTALLATION DU GEL FLUIDE"**.

4. Le lavage hebdomadaire est recommandé.

ATTENTION

Laver à la machine à l'eau froide – Cycle doux – Détergent doux. Pas d'adoucisseur de tissus, ni d'eau ammoniaquée. NE PAS sécher à la machine. Sécher UNIQUEMENT à l'air. NE PAS sécher au soleil.

5. Pour nettoyer la couche imperméable de la mousse, utiliser un chiffon doux et pour nettoyer complètement utiliser une solution d'eau chaude peu savonnée. Rincer et sécher.

ATTENTION

La housse est conçue pour protéger la mousse contre l'incontinence; elle assure également une protection feu; par conséquent, le coussin ne peut pas être utilisé sans housse. Si la housse est endommagée, la remplacer.

RIGIDIZER

Le raidisseur de coussin, RIGIDIZER est conçu pour diminuer l'effet "hamac" d'une toile d'assise; il constitue un support ferme et stable.

INSTALLATION DU RAIDISSEUR DE COUSSIN (FIG. 1, 2 ET 3)

1. Retirer du fauteuil l'ensemble coussin de siège.
2. Ouvrir la housse du siège et retirer la mousse de PERSONAL SEAT (FIGURE 1).

REMARQUE: Éviter de retirer le papier de protection de l'adhésif avant d'avoir repéré la zone de placement sur la Mousse. Soyez certain de la zone de placement puisque le Raidisseur de Coussin n'adhérera pas en toute sécurité s'il est installé et retiré plusieurs fois.

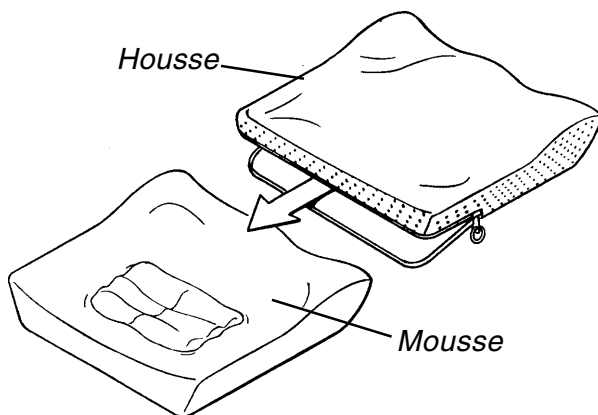


FIGURE 1 - RETIRER LA MOUSSE DE LA HOUSSE

3. Placer la surface de RIGIDIZER grâce à la bande adhésive sur le bas de la mousse (FIGURE 2).

MISE EN GARDE

Le bord AVANT du Raidisseur DOIT être parallèle avec le bord AVANT de la Mousse de siège Personnel et 1,25 cm à l'arrière de celui-ci afin que les jambes de l'utilisateur n'entrent pas en contact avec le bord avant du Raidisseur, occasionnant des blessures à l'utilisateur ou des dommages au Raidisseur.

4. Placer le Raidisseur de Coussin à 1,25 cm du bord AVANT de la Mousse tout en le centrant par rapport aux côtés gauche et droit (FIGURE 2).

ATTENTION

Veiller à ne pas couper ou arracher la couche de revêtement de la mousse.

5. Tracer le contour de la Mousse à l'aide d'un marqueur, porte-plume ou crayon, en employant le Raidisseur de Coussin comme gabarit de marquage de la zone de placement.
6. Après le marquage de la zone de placement, retirer le papier de protection de l'adhésif du Raidisseur de Coussin et installer le Raidisseur sur le bas (face inférieure) de la Mousse (FIGURE 2).
7. Presser fermement vers le bas afin de faire adhérer le Raidisseur de Coussin à la Mousse (FIGURE 2).

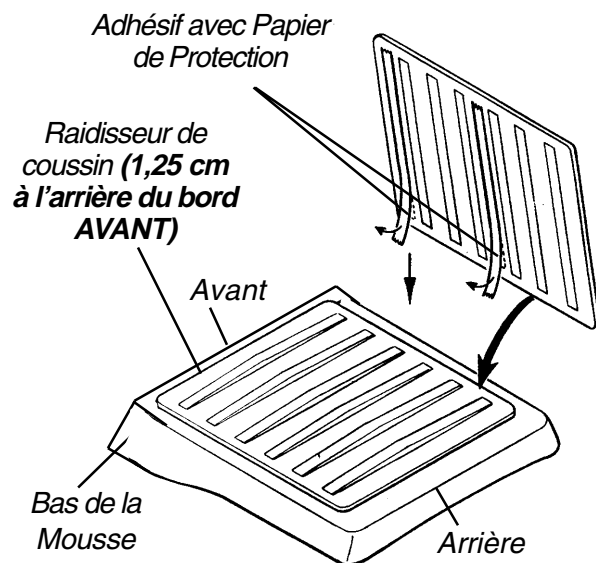


FIGURE 2 - INSTALLER RIGIDIZER

8. Installer à nouveau la Mousse de PERSONAL SEAT dans sa housse et utiliser les bandes auto-agrippantes pour fixer la housse de siège sur le Fauteuil roulant.

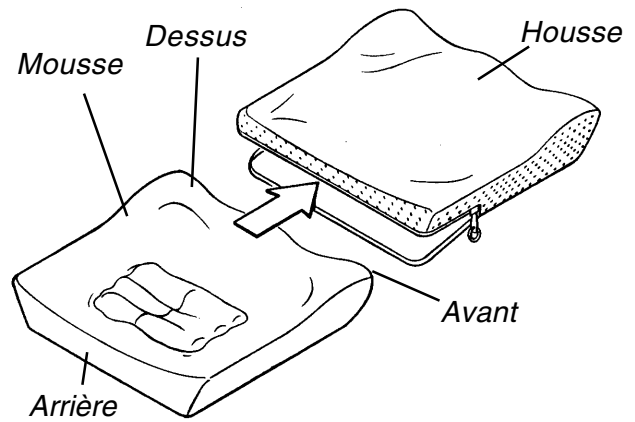


FIGURE 3 – RÉ-INSTALLER LE COUSSIN DANS SA HOUSSE

GARANTIE LIMITEE

La garantie n'est accordée qu'à l'acheteur proprement dit de nos produits; elle ne porte pas sur nos droits statutaires.

Invacare garantit la mousse du coussin pour tout défaut de fabrication pour une durée de deux (2) ans à partir de la date d'achat. La housse du coussin est garantie pendant une période de quatre vingt dix (90) jours à partir de la date d'achat. En ce qui concerne uniquement l'acheteur proprement dit/usager, Invacare garantit pour la durée de vie du produit les pièces métalliques de tout défaut de matière ou de fabrication, cela à l'exception de tous composants en bois, en mousse ou garnitures. Si pendant la période de garantie le produit est prouvé de manière raisonnable être défectueux par le " Représentant Invacare", il sera réparé ou remplacé à l'initiative du "Représentant Invacare"; l'unique obligation du "Représentant Invacare" est, dans le cadre de cette garantie, limitée à votre dédommagement par une telle réparation ou remplacement uniquement.

Pour le service sous garantie, veuillez contacter le "Service Consommateur du Représentant Invacare: POIRIER Groupe Invacare" pendant les heures de travail normales. A la réception d'une information au sujet d'un prétendu défaut de produit le "Représentant Invacare" enverra une autorisation de retour détaillée. Le produit sera alors renvoyé au service spécifié par le "Représentant Invacare". Le (les) composant(s) défectueux doivent être renvoyés pour inspection sous garantie avec les numéros de fabrication à titre d'identification, cela dans les trente jours de la date d'autorisation de retour. Ne pas retourner des produits à notre usine sans une autorisation préalable.

LIMITES ET EXCLUSIONS: LA GARANTIE CI-DESSUS NE COUVRE PAS L'USURE ET LES DÉGÂTS NORMAUX ET NE S'APPLIQUE PAS AUX PRODUITS AYANT FAIT L'OBJET DE NÉGLIGENCE, ACCIDENTS, MANIPULATIONS/ ENTRETIEN/STOCKAGE DÉFECTUEUX, UTILISATION COMMERCIALE OU INSTITUTIONNELLE, PRODUITS MODIFIÉS SANS AUTORISATION EXPRESSE ÉCRITE D'INVACARE (Y COMPRIS, MAIS NON LIMITÉS, DES MODIFICATIONS PAR UTILISATION DE PIÈCES OU D'ACCESSOIRES NON AUTORISÉS), NI AUX PRODUITS ENDOMMAGÉS PAR SUITE DE RÉPARATIONS FAITES À UN COMPOSANT QUEL QU'IL SOIT, SANS LE CONSENTEMENT SPÉCIFIQUE DU "REPRÉSENTANT INVACARE".

COJIN PERSONAL SEATY BASE RIGIDA PARA ASIENTO (RIGIDIZER)



Instrucciones de instalación, montaje y funcionamiento

NOTA: compruebe que no se haya dañado ninguna pieza durante el transporte. De haber alguna pieza dañada, NO la utilice y póngase en contacto con su suministrador para recibir más instrucciones.

SUMARIO DE MEDIDAS DE SEGURIDAD

Las siguientes recomendaciones se dan para la instalación sin problemas del cojín Personal Seat y la base rígida para asiento:

Los avisos de ADVERTENCIA/PRECAUCIÓN hacen referencia a las prácticas peligrosas o inseguras que podrían provocar heridas y daños personales o dañar el equipo.

ADVERTENCIA

No utilice este equipo sin haber leído y entendido previamente las instrucciones. Si no entiende las Advertencias, Precauciones e Instrucciones, póngase en contacto con su suministrador antes de tratar de utilizar el equipo, de lo contrario podría causarse alguna herida o daño.

La mejor manera de evitar los problemas relacionados con las llagas producidas por presión es entender sus causas y la función de uno en los programas de control de la piel.

Deberá consultar con su médico o terapeuta si tiene dudas sobre el aligeramiento del peso, cómo examinarse la piel o sobre limitaciones y necesidades individuales.

Todos los cojines que se utilizan en la prevención o tratamiento de las úlceras de decúbito (llagas producidas por presión) se deben escoger cuidadosamente. La mejor manera de asegurar que elige el cojín que se adapta mejor a sus necesidades es consultando con su médico, terapeuta y suministrador de cojines.

A medida que las necesidades del individuo se van haciendo más complejas, la evaluación del cojín se hace más importante.

El estado de la piel deberá comprobarse con mayor frecuencia cuando se comience a usar un cojín nuevo.

INTRODUCCIÓN

El cojín Personal Seat está diseñado para proporcionar estabilidad pélvica, postura de las piernas y control de la presión para el usuario. La funda externa esta confeccionada en un tejido impermeable para proteger la espuma, que a su vez está recubierta con un revestimiento impermeable para ofrecerle protección adicional.

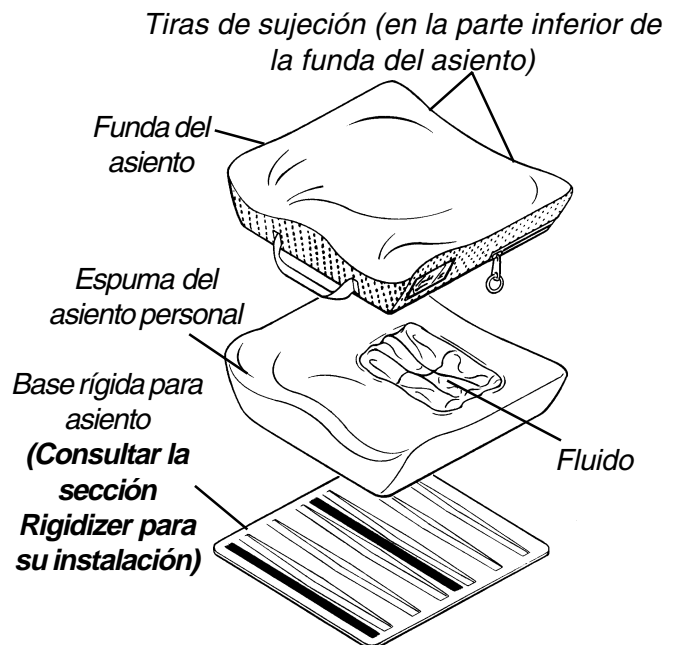


FIGURA 1 - PERSONAL SEAT

SUJECIÓN DEL COJÍN AL ASIENTO

El Personal Seat se sujeta al tapizado del asiento de la silla de ruedas mediante tiras de ganchos y lazos situadas en la parte inferior de la funda del cojín.

NOTA: La cremallera del cojín debe quedar atrás.

Asiento de la Silla de Ruedas

1. Determine el tipo de tira de sujeción del asiento de la silla de ruedas.
2. Si las tiras de la silla de ruedas son de lazos, verifique que la tira de con adhesivo está bien sujeta a la tira de lazos de la base del cojín.
3. Alinee el borde delantero del cojín con el borde delantero del asiento.
4. Fije el cojín al asiento asegurándose de que la tira de gancho con adhesivo está bien sujeta a la tira de gancho de la funda del cojín y a la silla.
5. Si la silla de ruedas tiene tiras de gancho, retire las tiras de gancho con adhesivo del cojín.
6. Alinee el borde delantero del cojín con el borde delantero del asiento.
7. Fije el cojín al asiento, asegurándose de que las tiras de lazo de la funda del cojín están bien sujetas a las tiras de gancho de la silla.

8. Si el asiento de la silla de ruedas no tiene ninguna tira de lazos ni de ganchos, quite la tira de ganchos con adhesivo de la parte inferior de la funda.
9. Alinee el borde delantero del cojín con el borde delantero del asiento.
10. Coloque el cojín sobre el asiento.

ADVERTENCIA

Antes de usar, asegúrese de que ambas tiras de lazos y ganchos entre el asiento y el cojín están bien sujetas. Si el cojín no está sujeto al asiento de la silla de ruedas, tenga cuidado al levantar y sentar al paciente en la silla de ruedas.

UTILIZACIÓN Y MANTENIMIENTO DEL PERSONAL SEAT

Colocación de la Funda

La funda está correctamente instalada cuando la cremallera queda en la parte de atrás del cojín. La parte de atrás de la espuma del cojín es donde se encuentra la almohadilla fluida. Además la parte de atrás va marcada con la palabra "BACK" (DETRÁS).

Instalación de la Almohadilla Fluida

La almohadilla puede ser fácil y adecuadamente colocada en su lugar haciendo coincidir las tiras de lazos de debajo de la almohadilla con las tiras de gancho de la entrada del cojín. La almohadilla está diseñada para ser más grande que el hueco por lo que será necesario plisarla para que quepa toda en el interior del hueco.

Comprobación de los Niveles de Fluido:

NOTA: Control regular significa "diario" para usuarios de alto riesgo; "semanal" para usuarios de riesgo medio; y "quincenal" para usuarios de bajo riesgo.

Controle el nivel regularmente y determine si hay suficiente fluido para mantener "a flote" las prominencias óseas; pruebe el cojín durante quince (15) minutos y luego compruebe que no haya zonas de la almohadilla fluida de cobertura incompleta. Examine también la piel del paciente para que no hayan marcas de presión rojas. Las zonas en las que el fluido se haya mudado dejando menos de 3mm de cobertura puede que precisen fluido adicional.

NOTA: Recuerde que las zonas en las que no hay fluido tienen 19mm de espuma blanda para evitar que las prominencias óseas toquen fondo.

Consideraciones de Temperatura:

ADVERTENCIA

Si guarda el cojín en zonas de calor o frío extremos, el fluido podría alcanzar una temperatura que podría dañar la piel del paciente.

Si el cojín ha sido guardado a temperaturas inferiores a los 5°C o superiores a los 32°C, antes de utilizarlo deberá dejar que el fluido de la almohadilla alcance una temperatura normal. La almohadilla fluida extraíble se puede sumergir en agua tibia, o fría, para acelerar el cambio de temperatura. (La temperatura del agua no debe superar los 50°C).

Las temperaturas de un automóvil cerrado aparcado al sol pueden superar los 94°C. Si el cojín queda expuesto a temperaturas elevadas, compruebe la temperatura del fluido de la almohadilla antes de su utilización y verifique que se mantiene uniforme. Consulte el apartado **INSPECCIÓN Y LIMPIEZA** en esta hoja de instrucciones.

Mantenimiento de la Funda

La funda del Personal Seat está fabricada con tejidos impermeables. La parte superior y los laterales están fabricados con tela elástica impermeable patentada. La parte inferior está fabricada con un tejido pesado especial. En caso de incontinencia puede que se produzcan ligeras filtraciones por las juntas y la cremallera, por lo que el revestimiento impermeable deberá limpiarse. La funda ha de lavarse a máquina con agua templada y colgarse para secar. Consulte el apartado **INSPECCIÓN Y LIMPIEZA** en esta hoja de instrucciones.

Inspección y Limpieza

1. Para asegurarse de que el cojín funciona como está pensado, deberá inspeccionarlo y limpiarlo de forma regular.

ADVERTENCIA

Abandone el uso de este producto si descubre alguno de estos problemas. Su suministrador puede organizarle operaciones de mantenimiento correctivo.

2. Inspeccione visualmente todas las partes una vez a la semana, incluyendo piezas de ferretería, tapizado, deformación del plástico y de la espuma (si puede acceder a ella), corrosión, rotura, deterioro y compresión.

3. Inspección de la Almohadilla Fluida:

NOTA: El contenido de la bolsa de fluidos no es tóxico. En condiciones de uso normal la bolsa no se romperá ni habrá fugas. No obstante, si detecta una fuga, sustituya la bolsa INMEDIATAMENTE.

Como parte del proceso de inspección regular del cojín, la almohadilla fluida deberá sacarse del hueco del cojín e inspeccionarse también. Si el cojín queda expuesto a temperaturas de 54°C o superiores, la inspección deberá realizarse inmediatamente. El fluido de la almohadilla debe tener un color uniformemente blanco y ser homogéneo. Si el fluido tiene zonas transparentes puede que sus componentes se hayan separado y sea necesario volverlo a mezclar, para ello sobe la almohadilla hasta que el fluido se ponga uniformemente blanco. Vuelva a colocarla en su hueco siguiendo las instrucciones del apartado **INSTALACIÓN DE LA ALMOHADILLA FLUIDA**.

4. Se recomienda limpiar todas las semanas.

PRECAUCIÓN

Lave a máquina la funda del asiento en agua fría en el ciclo de ropa delicada y usando un detergente suave. NO utilice suavizantes ni lejía. NO la seque a máquina. Séquela SÓLO al aire. NO la seque al sol.

5. Para limpiar el revestimiento impermeable de la espuma utilice un paño suave y fríéguela con agua tibia y detergente suave, enjuáguela y séquela.

PRECAUCIÓN

La funda está pensada para proteger la espuma de la incontinencia del usuario y además actúa como ignífugo, por lo que el cojín no debe usarse sin la funda. Si ésta se rompe deberá sustituirse.

BASE RIGIDA PARA ASIENTO (RIGIDIZER)

La base rígida para asiento está pensada para disminuir el efecto hamaca del tapizado de la silla y ofrecer una base de apoyo estable y firme.

INSTALACIÓN DE LA BASE RIGIDA PARA ASIENTO (FIGURAS 1, 2 Y 3)

1. Retire el cojín del asiento de la silla de ruedas.
2. Abra la funda del asiento y retire la espuma del Personal Back (FIGURA 1).

NOTA: NO RETIRE el papel protector del adhesivo hasta que haya marcado la zona de la espuma del Personal Back en la que lo colocará. Asegúrese bien pues si se pega y se despega, la base rígida no se volverá a pegar bien.

3. Coloque la superficie de la base rígida con la cinta adhesiva contra la parte inferior del cojín Personal Back (FIGURA 2).



FIGURA 1 - RETIRAR LA ESPUMA DEL PERSONAL BACK DE LA FUNDA

ADVERTENCIA

El borde DELANTERO de la base rígida DEBE estar paralelo al borde DELANTERO de la espuma del Personal Back y 2,5cm detrás de él. De modo que el borde delantero de la base rígida no toque las piernas del usuario causándole heridas o dañando la misma base.

4. Coloque la base rígida del cojín a 1,25cm del borde DELANTERO de la espuma del Personal Back y céntrelo a ambos lados (FIGURA 2).

PRECAUCIÓN

No corte ni rasgue el revestimiento de la espuma.

5. Utilizando la base rígida de plantilla, marque con un rotulador o bolígrafo la posición que ocupará ésta en la espuma.
6. Después retire el papel protector del adhesivo de la base rígida y colóquela en la parte de abajo de la espuma del Personal Back (FIGURA 2).
7. Presione con firmeza para pegar la base rígida a la espuma del Personal Back (FIGURA 2).

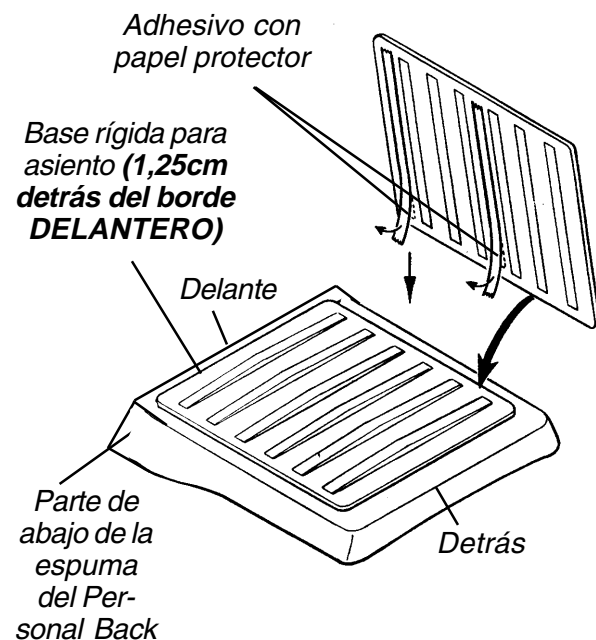


FIGURA 2 - COLOCACIÓN DE LA BASE RIGIDA

8. Vuelva a colocar el cojín Personal Seat dentro de la funda y utilice las tiras de lazos y ganchos para asegurar la funda a la silla.

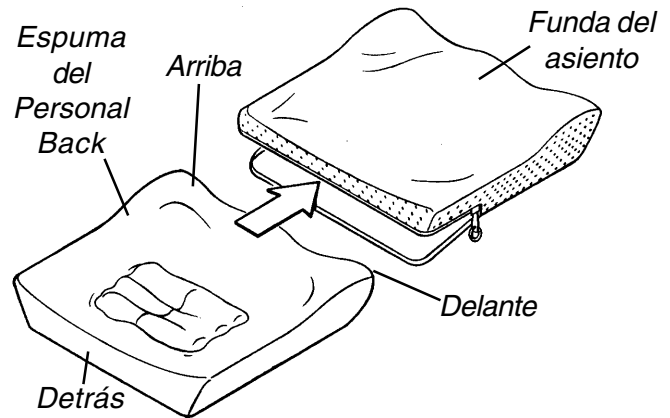


FIGURA 3 - COLOCACIÓN DEL COJÍN EN LA FUNDA

GARANTÍA LIMITADA

Esta garantía sólo es extensible al comprador original de nuestros productos y no afecta sus derechos de acuerdo con la ley.

Invacare garantiza el cojín de espuma contra defectos durante un periodo de dos (2) años contados a partir de la fecha de compra. La funda del cojín cuenta con una garantía de noventa (90) días contados a partir de la fecha de compra. Invacare garantiza, sólo para el comprador/usuario original, los tornillos, tuercas y demás piezas de ferretería contra defectos tanto en cuanto a los materiales como a la fabricación durante la vida útil del producto, exceptuando los componentes de madera, plástico y los tapizados. Si durante el periodo de vigencia de la presente garantía se prueba y el "Representante de Servicio de Invacare" queda conforme de que el producto es defectuoso, éste se reparará o sustituirá, quedando la facultad de elegir el método a utilizar en manos del "Representante de Servicio de Invacare"; la única obligación del "Representante de Servicio de Invacare" y el remedio exclusivo para el comprador queda limitado a tal reparación o sustitución.

Para los servicios de garantía, por favor, póngase en contacto con el Departamento de Servicio del suministrador durante horas de oficina. Al recibir aviso de un posible defecto en un producto, el "Representante de Servicio de Invacare" emitirá una autorización de devolución con n° de serie. El producto deberá entonces ser devuelto bien a la fábrica de Invacare o al centro de servicio especificado por el "Representante de Servicio de Invacare". Las piezas defectuosas deberán devolverse para ser inspeccionadas de acuerdo con la presente garantía en un plazo de treinta (30) días a partir de la fecha de autorización de la devolución. NO devuelva ningún producto a la fábrica sin consentimiento previo.

LIMITACIONES Y EXCLUSIONES: LA ANTERIOR GARANTÍA NO CUBRE EL DETERIORO NATURAL Y NO SERÁ DE APLICACION EN PRODUCTOS QUE HAYAN SUFRIDO NEGLIGENCIA, ACCIDENTES, USO, MANTENIMIENTO O ALMACENAMIENTO INDEBIDOS, USO COMERCIAL O INSTITUCIONAL, MODIFICACIÓN DE PRODUCTOS SIN EL CONSENTIMIENTO EXPRESO POR ESCRITO DE INVACARE (INCLUYENDO, PERO NO LIMITÁNDOSE A, MODIFICACIONES CON LA UTILIZACION DE PIEZAS O ACCESORIOS NO AUTORIZADOS) O A PRODUCTOS DAÑADOS DEBIDO A REPARACIONES REALIZADAS A CUALQUIERA DE SUS COMPONENTES SIN EL CONSENTIMIENTO ESPECÍFICO DEL "REPRESENTANTE DE SERVICIO DE INVACARE".

NOTA: Controllare tutte le parti per verificare che non abbiano subito danni durante il trasporto. Se si sono verificati dei danni, NON usare. Contattare il fornitore delle apparecchiature per ulteriori istruzioni.

MISURE DI SICUREZZA

Le seguenti raccomandazioni sono intese per un uso sicuro del Cuscino Essential:

Avvisi DI AVVERTIMENTO E DI CAUTELA si riferiscono a rischi o pratiche pericolose che potrebbero risultare in ferimenti personali e/o danni alla proprietà.

AVVERTIMENTO

NON usare questa apparecchiatura senza aver prima letto e compreso queste istruzioni. Se non capite gli avvertimenti, gli avvisi e le istruzioni, mettetevi in contatto con il fornitore delle apparecchiature prima di tentarne l'uso, altrimenti potrebbero risultarne danni o ferimenti.

Il miglior modo di evitare problemi relativi a piaghe dovute a pressione è quello di capirne le cause e il vostro ruolo in un programma di cura della pelle.

Sarà bene consultare il vostro terapeuta e medico se avete dei problemi per quanto riguarda limitazioni individuali e necessità.

Tutti i cuscini adoperati per la prevenzione o il trattamento delle ulcere da decubito (piaghe dovute a pressione), dovranno essere selezionati con cura. Consultare il vostro terapeuta, medico e fornitore di cuscini sarà il miglior modo di assicurare che la scelta di un cuscino risponda alle vostre necessità.

Più aumentano le complessità delle necessità individuali, più sarà importante una valutazione del cuscino.

Le condizioni della pelle dovranno essere controllate molto frequentemente a seguito della fornitura di un nuovo cuscino.

INTRODUZIONE

Il cuscino del sedile personale è stato ideato per provvedere alla stabilità pelvica, il posizionamento delle gambe e la gestione della pressione da parte dell'utente. La copertura esterna è fatta di un materiale idrorepellente per proteggere la gomma piuma, e la gomma piuma è stata trattata con un rivestimento idrorepellente allo scopo di proteggere ulteriormente la gomma piuma.

Cinture di allaccio (Lato inferiore del rivestimento del sedile)

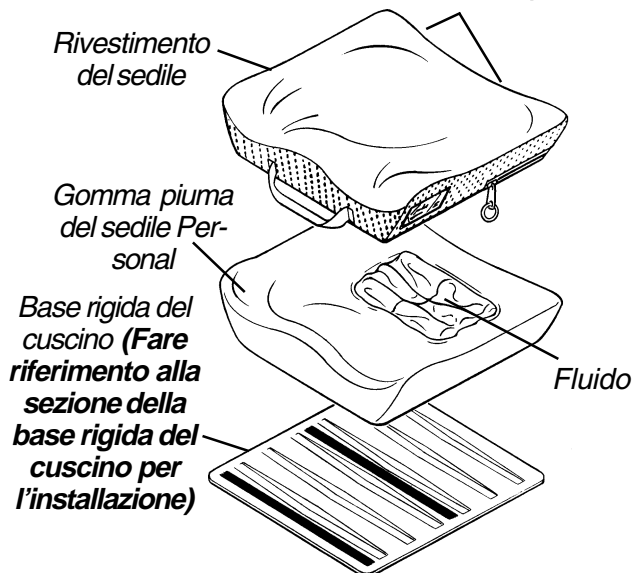


FIGURA 1 - SEDILE PERSONAL

ATTACCO DEL CUSCINO ALLA SUPERFICIE DEL SEDILE

Il sedile personale si attacca al rivestimento del sedile della sedia a rotelle per mezzo di sistemi di allaccio a gancio e a cappio situati nella parte inferiore del rivestimento del cuscino.

NOTA: La chiusura lampo sul cuscino dovrebbe essere rivolta verso il retro.

Superficie del sedile della sedia a rotelle

1. Determinare se la superficie del sedile della sedia a rotelle è provvista di strisce di allaccio a gancio o a cappio.
2. Se la sedia a rotelle è provvista di strisce di allaccio a cappio, verificare che le strisce a gancio a doppia faccia siano bene attaccate alle strisce di allaccio a cappio sulla parte inferiore del cuscino.
3. Allineare il bordo anteriore del cuscino con il bordo anteriore della superficie del sedile.
4. Mettere il cuscino della superficie del sedile bene in posizione, assicurandosi che il gancio a doppia faccia sia bene attaccato alle strisce a cappio sulla copertura del cuscino e alla sedia.
5. Se la sedia a rotelle è provvista di strisce di attacco a gancio, rimuovere dal cuscino le strisce a gancio a doppia faccia.
6. Allineare il bordo anteriore del cuscino al bordo anteriore della superficie del sedile.
7. Mettere il cuscino bene in posizione sulla superficie del sedile, assicurandosi che le strisce di cappi situate sul cuscino siano bene attaccate alle strisce di ganci sulla sedia.

8. Se la superficie del sedile della sedia a rotelle non è provvista di strisce di allaccio né a gancio né a cappio, rimuovere il gancio a doppia faccia dalla parte inferiore della copertura.
9. Allineare il bordo anteriore del cuscino con il bordo anteriore della superficie del sedile.
10. Mettere il cuscino sulla superficie del sedile della sedia a rotelle.

AVVERTIMENTO

Assicurarsi che le cinture a gancio e a cappio siano fermamente attaccate alla superficie del sedile e al cuscino prima dell'uso. Se il cuscino non è bene attaccato alla superficie del sedile della sedia a rotelle, siete pregate di agire con cautela quando lo si sposta da o nella sedia.

USO E MANUTENZIONE DEL SEDILE PERSONAL

Installazione del Rivestimento

I rivestimenti possono considerarsi correttamente installati quando la chiusura lampo è sul retro del cuscino. Il cuscinetto imbottito è situato sul retro della gomma piuma del cuscino.

Installazione del Cuscinetto Imbottito con Fluido

Il cuscinetto imbottito potrà essere installato correttamente e con facilità nell'apposito recesso facendo combaciare le strisce con i cappi sul fondo del cuscinetto con le strisce con i ganci che si trovano nel recesso del cuscino. Il cuscinetto è stato ideato di dimensioni più grandi di quelle del recesso in modo che sarà necessario posizionarlo con pieghe a organetto, e poi inserirlo.

Controllo dei Livelli del Fluido:

NOTA: Controllo regolare vuole dire controllo "giornaliero" per gli utenti ad alto rischio, "settimanale" per gli utenti a medio rischio e "bisettimanale" per gli utenti a basso rischio.

Controllare regolarmente per stabilire se vi sia fluido sufficiente per far "galleggiare" correttamente le prominente ossee; fare una prova con il cuscino al suo posto per quindici (15) minuti. Esaminare quindi il cuscinetto con il fluido per vedere se ci sono aree che non sono state coperte, oltre ad esaminare la pelle dell'utente per verificare se presenta segni rossi dovuti a pressione. Ogni area che non ha un livello di fluido di almeno 3 mm potrebbe richiedere un'aggiunta di fluido.

NOTA: Si tenga presente che le aree dove il fluido non arriva sono comunque provviste di un sotto cuscinetto di gomma piuma soffice dello spessore di 19 mm che assiste nel prevenire che la prominente ossea arrivi al fondo.

Considerazioni Riguardanti la Temperatura:

AVVERTIMENTO

L'immagazzinaggio del cuscino in luoghi estremamente freddi o caldi potrebbe far sì che il fluido raggiunga una temperatura che potrebbe danneggiare la pelle dell'utente.

Se il cuscino è stato tenuto ad una temperatura al di sotto di 5 °C o al di sopra di 32° C, si dovrà lasciare che il cuscinetto pieno di fluido raggiunga la normale temperatura ambiente prima dell'uso. Il cuscinetto con fluido rimovibile può essere immerso in acqua calda o fredda per abbreviare il tempo occorrente per riportarlo alla temperatura normale (la temperatura dell'acqua non dovrà superare 50° C).

La temperatura in una automobile chiusa può salire al di sopra di 94; C se parcheggiata in pieno sole. Se il vostro cuscino viene esposto a temperature più alte, verificare la temperatura del fluido del cuscinetto prima di usarlo, e verificare che il fluido sia uniforme all'interno del cuscinetto. Fare riferimento alla sezione **ISPEZIONE E PULIZIA** nel foglio delle istruzioni.

Manutenzione del Rivestimento

Il rivestimento del sedile personale è fabbricato con materiali idrorepellenti. La parte superiore e i lati sono fabbricati in un tessuto impermeabile elasticizzato brevettato. La parte inferiore è fabbricata con un tessuto impermeabile pesante. Nell'eventualità di incontinenza, si potrebbe verificare una infiltrazione attraverso le cuciture o la chiusura lampo della copertura esteriore, e quindi potrà essere necessario pulire il rivestimento idrorepellente. La copertura dovrà essere lavata a macchina in acqua calda e messa ad asciugare all'aria. Seguire le istruzioni contenute nella sezione **ISPEZIONE E PULIZIA** in questo foglio di istruzioni.

Ispezione e Pulizia

1. Per essere sicuri che il cuscino funzioni come desiderato, è necessario procedere regolarmente all'ispezione e alla pulizia dello stesso.

AVVERTIMENTO

NON continuare ad usare questo prodotto se si verifica uno qualunque dei seguenti problemi. Il vostro fornitore del cuscino potrà organizzare un servizio di manutenzione.

2. Eseguire una ispezione visiva settimanale di tutte le parti, inclusi parti in metallo, tessuti per le coperture, gomma piuma se accessibile e plastica per verificare l'esistenza o meno di deformazione corrosione, rottura, logorio e/o compressione.
3. **Ispezione del Cuscinetto Riempito di Fluido:**

NOTA: Il contenuto fluido del sacchetto non è tossico. Il sacchetto non si romperà né perderà liquido in condizioni normali di utilizzo. Se si rilevano delle perdite, sostituire IMMEDIATAMENTE il sacchetto.

Il sacchetto con il fluido dovrebbe essere tolto dal recesso nel cuscino ed ispezionato come parte della ispezione regolare del cuscino. Se il cuscino viene esposto a temperature di 54°C o più alte, l'ispezione dovrà essere eseguita immediatamente. Il fluido nel cuscinetto dovrebbe apparire uniformemente bianco e omogeneo. Se il fluido mostra aree che sono traslucide vorrà dire che si è separato nei suoi componenti e avrà bisogno di essere rimescolato.

Il rimescolamento si eseguisce maneggiando il sacchetto fino a che il fluido non ritorni ad essere uniformemente bianco. Reinstallare il cuscinetto nel recesso come descritto nella sezione **INSTALLAZIONE DEL CUSCINETTO RIEMPIUTO DI FLUIDO** in questo foglio di istruzioni.

4. **Si consiglia una pulizia settimanale.**

AVVISO

Lavare il rivestimento del sedile a macchina a freddo, programma delicati, usando un detergente leggero. Non usare ammorbidenti né candeggianti. Non asciugare in asciugatoio. Asciugare all'aria **SOLTANTO. NON** asciugare al sole.

5. Per pulire il rivestimento idrorepellente della gomma piuma, usare un panno soffice, acqua e una soluzione di sapone neutro, e strofinare fino a che non sia pulito. Risciacquare e lasciare asciugare.

AVVISO

Il rivestimento esteriore è stata ideato in modo tale da proteggere la gomma piuma in caso di incontinenza dell'utente e da renderla ignifuga; il cuscino non dovrà quindi essere usato senza la sua copertura. Nel caso che il rivestimento sia strappato, esso dovrà essere sostituito.

COMPONENTE PER BASE RIGIDA

Il componente per base rigida è stato ideato per diminuire l'effetto di amaca dell'imbracatura e per formare una base di supporto rigida e stabile.

INSTALLAZIONE DELLA BASE RIGIDA DEL SEDILE (FIGURA 1, 2 & 3)

1. Rimuovere l'assemblaggio del cuscino dalla sedia.
2. Aprire il rivestimento del sedile e rimuovere la gomma piuma del sedile personale (FIGURA 1).

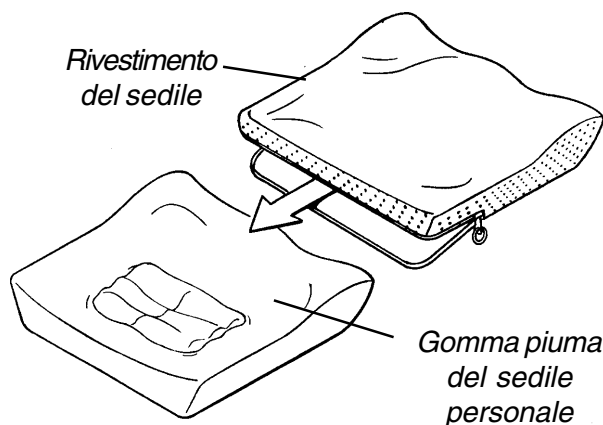


FIGURA 1 - RIMUOVERE LA GOMMA PIUMA DEL SEDILE PERSONAL DAL RIVESTIMENTO DEL SEDILE

NOTA: NON rimuovere la carta protettiva dell'adesivo fino a che non avrete segnato l'area di posizionamento sulla gomma piuma del sedile personale. Fate attenzione ad essere perfettamente sicuri dell'area di posizionamento perché non sarà facile fare aderire di nuovo il componente di irrigidimento una volta che è stato installato e poi rimosso.

3. Posizionare la superficie del componente di irrigidimento con la banda adesiva rivolta contro il fondo del cuscino del sedile personale (FIGURA 2).

AVVERTIMENTO

Il bordo **ANTERIORE** del Componente di irrigidimento **DEVE** essere parallelo al bordo **ANTERIORE** della gomma piuma del sedile personale e 1,25 cm dietro a questo in modo che le gambe dell'utente non verranno in contatto con il bordo anteriore del componente di irrigidimento e causare eventuali ferimenti all'utente o danneggiare il componente di irrigidimento.

4. Posizionare il componente di irrigidimento cuscino 1,25 dal bordo **ANTERIORE** della gomma piuma del sedile personale e assicurarsi che sia ben centrato tra destra e sinistra (FIGURA 2).

AVVISO

NON tagliare o strappare il rivestimento della gomma piuma.

5. Tracciare i contorni della gomma piuma del sedile personale con un pennarello o una matita usando il componente di irrigidimento del cuscino come guida per segnare l'area di posizionamento.
6. Dopo aver marcato l'area di posizionamento, rimuovere la carta protettiva dall'adesivo sul componente di irrigidimento cuscino e installarlo sul fondo (**la parte inferiore**) della gomma piuma del sedile personale (FIGURA 2).
7. Premere fermamente perché il componente di irrigidimento aderisca bene alla gomma piuma del sedile personale (FIGURA 2).

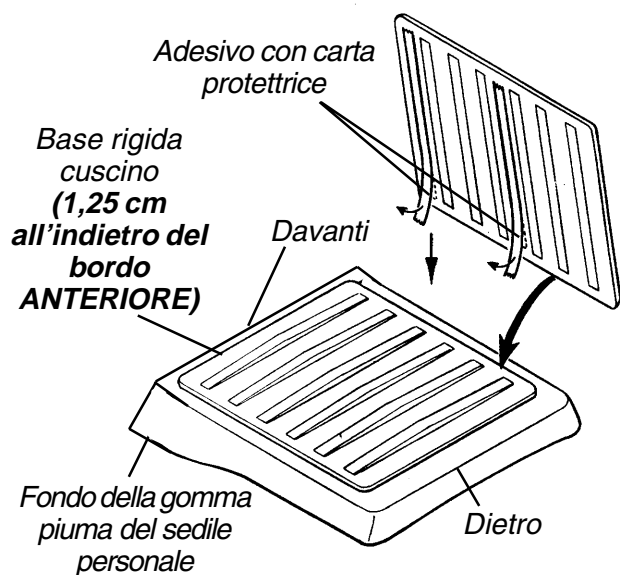


FIGURA 2 - COME INSTALLARE LA BASE RIGIDA

8. Rinnestallare la gomma piuma del sedile personale nella copertura del sedile e usare il dispositivo di fissaggio a ganci e cappi per assicurare la copertura del sedile alla sedia.

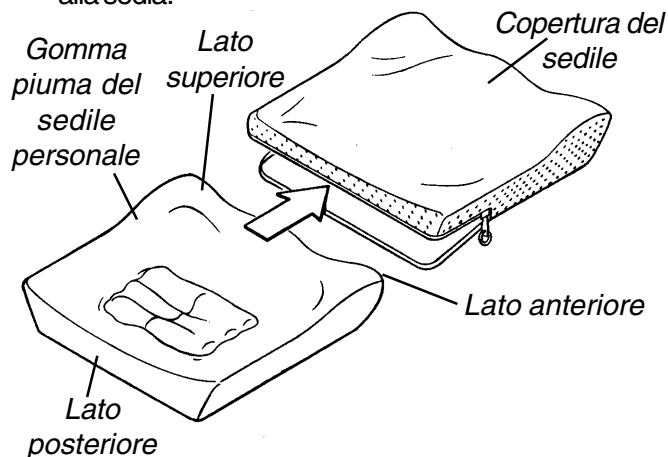


FIGURA 3 - RINSTALLAZIONE DEL CUSCINO NEL RIVESTIMENTO DEL SEDILE

GARANZIA LIMITATA

Questa garanzia è estesa esclusivamente all'utilizzatore finale dei nostri prodotti e non pregiudica i diritti statutari.

Invacare garantisce che il cuscino in gomma piuma sarà privo di difetti per un periodo di due (2) anni dalla data di acquisto. Il rivestimento del cuscino è garantito per un periodo di novanta (90) giorni dalla data di acquisto. Per quanto riguarda la l'utilizzatore finale, Invacare garantisce che i componenti costruiti in metallo saranno privi di difetti dovuti ai materiali e alla mano d'opera per tutta la durata del prodotto, eccezione fatta per i componenti in legno, spuma di plastica o ricoperti. Se entro tale periodo di garanzia potrà essere dimostrato in modo da soddisfare in misura ragionevole Invacare che il prodotto è difettoso, esso verrà riparato o sostituito, a discrezione di Invacare; essendo tale riparazione o sostituzione il solo obbligo da parte di Invacare, e l'unico provvedimento che vi è concesso sotto questa garanzia.

Per l'assistenza sotto garanzia, si prega contattare il Reparto Assistenza Invacare durante le ore normali di ufficio. Su ricevimento di una notifica di un presunto difetto in un prodotto, Invacare emetterà una autorizzazione di restituzione con numero di serie. Il prodotto verrà quindi restituito allo stabilimento o al centro di assistenza di Invacare, a seconda di quanto specificato da Invacare. Eventuali parti componenti difettose dovranno essere restituite per l'ispezione sotto garanzia usando il numero di serie come identificazione, entro trenta (30) giorni dalla data di autorizzazione di restituzione. **NON restituire prodotti alla nostra fabbrica senza previa autorizzazione.**

RESTRIZIONI ED ESCLUSIONI: LA GARANZIA DI CUI SOPRA NON COPRE IL NORMALE LOGORIO E NON SARA' APPLICABILE AI PRODOTTI SOGGETTI A NEGLIGENZA, INCIDENTI, USO, MANUTENZIONE O IMMAGAZZINAGGIO ERRONEI, USO COMMERCIALE O DA PARTE DI ISTITUTI, PRODOTTI MODIFICATI SENZA AUTORIZZAZIONE ESPLICITA PER ISCRITTO DA PARTE DI INVACARE (COMPREDENTE, MA NON LIMITATA A, EVENTUALI MODIFICHE CON L'USO DI PARTI O ACCESSORI NON AUTORIZZATI) O A PRODOTTI DANNEGGIATI A CAUSA DI INTERVENTI DI RIPARAZIONE ESEGUITI SU QUALUNQUE COMPONENTE SENZA IL CONSENSO SPECIFICO DA PARTE DI INVACARE

NOTA: Antes de usar, verifique se alguma parte foi danificada durante o transporte. Se assim for, NÃO use o equipamento e contacte o fornecedor.

PRECAUÇÕES

As recomendações seguintes são para que se possam instalar com segurança o Assento Pessoal e o Enrijecedor da almofada com segurança:

"AVISOS/PRECAUÇÕES aplicam-se a informações sobre acasos ou práticas perigosas das quais podem resultar ferimentos em pessoas e/ou danos materiais".

AVISO

NÃO instale o equipamento sem antes ler e compreender estas instruções. Se não compreender os avisos, as precauções e as instruções, contacte o fornecedor antes de tentar usar o equipamento, caso contrário pode provocar ferimentos ou estragos.

A melhor forma de evitar problemas relacionados com feridas causadas por pressão, é compreender as causas e o papel que você pode desempenhar num programa de cuidados com a pele.

O seu terapeuta deve ser consultado se tiver dúvidas quanto ao alívio do peso, auto-exame da pele, ou necessidades e limitações individuais.

Todas as almofadas usadas para a prevenção ou tratamento de úlceras ou feridas resultantes da pressão constante (decúbito), devem ser escolhidas cuidadosamente. A melhor forma de se certificar de que a sua escolha é a mais adequada para as suas necessidades, é trabalhar em colaboração com o seu terapeuta.

Como as necessidades individuais se tornam mais complexas, assim a escolha da almofada se torna mais importante.

O estado da pele deve ser verificado frequentemente quando se começa a usar uma almofada nova.

INTRODUÇÃO

A almofada Assento Pessoal foi projectada para proporcionar ao utente estabilidade à pelvis, posicionamento para as pernas e controle da pressão. A capa exterior é feita de em material impermeável para proteger a esponja e esta está coberta por uma substância impermeável para maior protecção.

Tiras Para Apertar (Lado de Baixo da Capa do Assento)

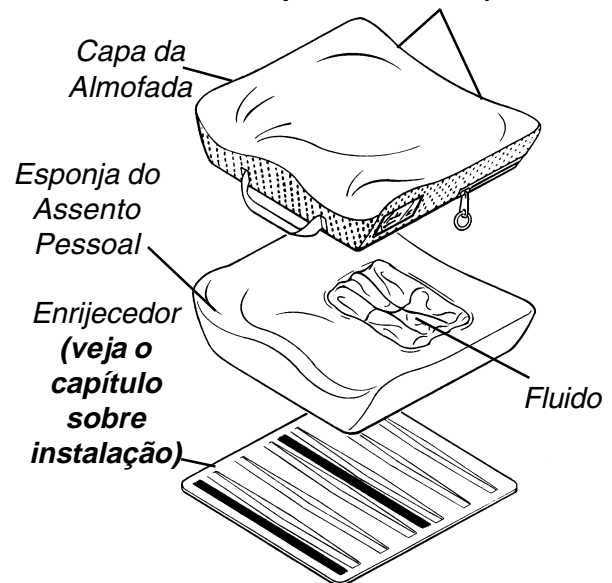


FIGURA 1- ASSENTO PESSOAL

PRENDER A ALMOFADA NA SUPERFÍCIE PARA ASSENTO (FIGURA 1)

O assento pessoal segura-se ao estofado do assento da cadeira através das tiras em laço e do gancho que estão no lado de baixo da capa da almofada.

NOTA: O fecho da almofada deve ficar virado para o lado de trás.

Superfície da Cadeira de Rodas Para Assento

1. Verifique se o assento da cadeira de rodas tem ganchos ou tiras para prender.
2. Se a cadeira tiver tiras para prender, verifique se as tiras duplas com gancho estão bem presas às tiras com laço da parte de baixo da almofada.
3. Alinhe a parte da frente da almofada com a parte da frente do assento.
4. Prenda a almofada ao assento e certifique-se de que o gancho duplo esteja bem preso às tiras com laço da capa da almofada e da cadeira.
5. Se a cadeira tiver tiras com gancho, retire as tiras com gancho duplo da almofada.
6. Alinhe a parte da frente da almofada com a parte da frente do assento.
7. Prenda a almofada ao assento, certificando-se de que os laços das tiras da almofada estejam bem presas às tiras com gancho da cadeira.

8. Se o assento da cadeira não tiver gancho nem tiras, retire o gancho duplo da parte de baixo da capa.
9. Alinhe a parte da frente da almofada com a parte da frente do assento.
10. Coloque a almofada no assento da cadeira.

AVISO

Certifique-se de que o gancho e os laços estão bem presos ao assento e à almofada antes de a usar. Se a almofada não estiver presa ao assento da cadeira, tenha muito cuidado quando se sentar ou sair da cadeira.

USO E MANUTENÇÃO DO ASSENTO PESSOAL

Instalação da Capa

A capa está bem instalada se o fecho estiver para a parte de trás da almofada. Na parte de trás da almofada encontra-se a placa com fluido. A parte de trás da almofada tem também escrito na superfície a palavra "BACK."

Instalação da Placa Com Fluido

A placa pode ser facilmente instalada no encaixe, igualando os laços das tiras do lado de baixo da placa com as tiras de ganchos no encaixe da almofada. A placa foi projectada para ser um pouco maior que o lugar de encaixe, por isso é preciso colocar a placa com dobras (tipo acordeão) de forma que entre completamente no encaixe.

Verificar Níveis do Fluido:

NOTA: Verificar regularmente, significa fazer um controle diário para os usuários de alto risco, semanal para os de risco médio e cada duas semanas para os de baixo risco.

Verifique regularmente, para ver se o fluido é suficiente para fazer *flutuar* as protuberâncias ósseas. Coloque a almofada no lugar e experimente durante (15) quinze minutos. Depois veja se o fluido cobre todas as áreas e examine a pele do usuário para ver se há marcas vermelhas provocadas pela pressão. Se alguma área ficar com menos de 3mm de fluido será necessário colocar mais fluido.

NOTA: lembre-se que as áreas onde não há fluido têm uma camada inferior de esponja de 19mm de espessura, para evitar que as protuberâncias ósseas toquem no fundo.

Considerações Quanto à Temperatura:

AVISO

Se a almofada for exposta a temperaturas extremamente altas ou baixas, o fluido pode chegar a temperaturas que podem deteriorar a pele do usuário.

Se a almofada for guardada em lugares com temperatura inferior a 5°C ou superior a 32°C, deve-se esperar até o fluido voltar à temperatura ambiente antes de se usar. Para acelerar o processo, pode-se meter a placa do fluido em água quente ou fria de modo a que a temperatura mude mais rapidamente. (A temperatura da água não deve exceder 50°C).

A temperatura dentro de um carro estacionado ao sol pode ultrapassar os 94°C. Se a almofada for exposta a temperaturas extremas, verifique a temperatura da placa do fluido antes de a usar e veja também se o fluido está distribuído de forma uniforme. Consulte o capítulo **INSPECÇÃO E LIMPEZA**, neste manual.

Manutenção da Capa

A capa do assento pessoal é fabricada com materiais impermeáveis. A parte de cima e dos lados é feita de um tecido elástico impermeável patentado. A parte de baixo é feita de um material especial, denso e impermeável. Em caso de incontinência, pode ocorrer infiltração através das costuras ou do fecho. Nesse caso deve-se limpar o revestimento impermeável. A capa deve ser lavada à máquina em água morna e depois pendurada para secar. Consulte o capítulo **INSPECÇÃO E LIMPEZA** deste manual.

Inspecção e Limpeza

1. Para poder usar a almofada de forma eficaz, deve inspecioná-la e limpá-la regularmente.

AVISO

Se encontrar algum dos problemas adiante referidos, páre de usar este produto. É possível consertar o defeito no fornecedor ou através dele.

2. Inspecionar semanalmente todas as partes, incluindo peças, estofos e esponjas para ver se há deformações, corrosão, fissuras, desgaste e/ou compressão.
3. **Inspecção da Placa do Fluido:**

NOTA: O conteúdo da bolsa de fluido não é tóxico. Em condições normais, a bolsa não quebra nem vaza. Em caso de vazamento, substitua a bolsa IMEDIATAMENTE.

Durante as inspecções regulares, deve-se retirar a placa da almofada e inspecioná-la. Se a almofada for exposta a temperaturas iguais ou superiores a 54°C, a inspecção deve ser feita imediatamente. O fluido da placa deve ser branco e homogéneo. Se o fluido for transparente em algumas partes, significa que os seus componentes se separaram e é preciso misturá-lo de novo. Para se misturar é necessário pressionar (amassar) a placa até o fluido ficar uniformemente branco. Instale de novo a placa no lugar, de acordo com as instruções no capítulo **INSTALAÇÃO DA PLACA DO FLUIDO** neste manual.

4. Recomenda-se limpar semanalmente.

CUIDADO

Lave à MAQUINA em água fria, num programa moderado usando detergente suave. Não use amaciador nem lexívia. NÃO seque à máquina. Deixe secar ao ar livre. NÃO seque ao sol.

5. Para limpar o revestimento impermeável da esponja, use um pano suave e uma solução de água morna, e sabão suave. Limpe bem e seque.

CUIDADO

A capa foi projectada para proteger a esponja em caso de incontinência do utente e para oferecer alguma resistencia ao fogo. Por isso o encosto não deve ser usado sem a capa. Se a capa se rasgar, deve ser substituída.

ENRIJECEDOR DA ALMOFADA

O Enrijecedor foi projectado para reduzir o efeito de maca (em cova) do estofa e proporcionar uma base firme.

INSTALAR O ENRIJECEDOR DA ALMOFADA (FIGURAS 1, 2 E 3)

1. Retire o conjunto da almofada de assento da cadeira.
2. Abra a capa do assento e retire a esponja do Assento Pessoal (FIGURA 1).

NOTA: Não retire o papel protector do adesivo sem ter marcado na esponja do Assento Pessoal o lugar de posição. Tenha bem a certeza sobre o lugar correcto, pois o Enrijecedor perderá aderência se for colado e depois mudado de lugar.

3. Coloque o Enrijecedor com a fita adesiva, sobre a parte de baixo da almofada do Assento Pessoal (FIGURA 2).

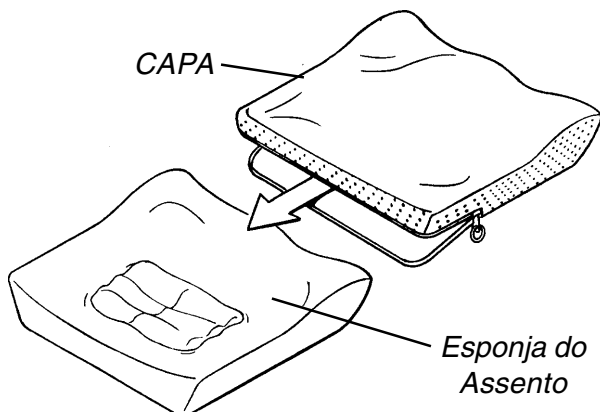


FIGURA 1 - RETIRE A CAPA DA ESPONJA DO ASSENTO PESSOAL

AVISO

A parte da frente do Enrijecedor TEM que estar paralela à extremidade frontal da esponja do Assento Pessoal mas a 1.25 cm da frente para que as pernas do usuário não façam contacto com a esquina, e para que o Enrijecedor não se danifique nem cause mal-estar ao usuário.

4. Coloque o Enrijecedor a 1.25cm da frente da esponja, bem centralizado (FIGURA 2).

CUIDADO

NÃO fure nem corte o revestimento da esponja.

5. Marque a silhueta do Enrijecedor na esponja com um marcador, caneta ou lápis, para determinar a posição.
6. Depois de ter marcado a posição, retire o papel do adesivo no Enrijecedor e coloque-o na parte de baixo da esponja do Assento Pessoal (FIGURA 2).
7. Pressione com firmeza para colar o Enrijecedor na esponja do Assento Pessoal (FIGURA 2).

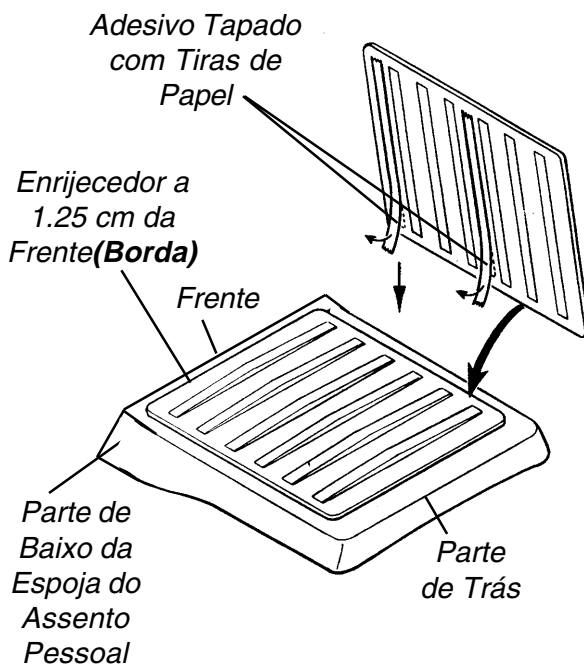


FIGURA 2 - INSTALAR O ENRIJECEDOR

8. Coloque de novo a esponja do Assento Pessoal dentro da capa e segure depois a capa à cadeira usando os ganchos com os laços.

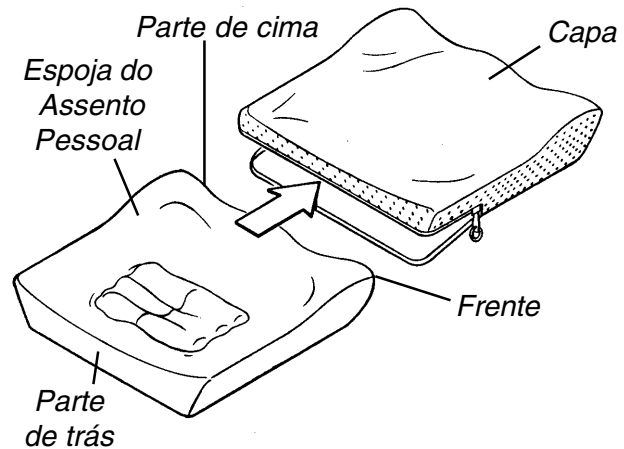


FIGURA 3 - COLOCAR DE NOVO A ESPONJA DENTRO DA CAPA

GARANTIA LIMITADA

Esta garantia abrange apenas o comprador original do produto e não afecta os direitos legais.

A almofada de esponja tem uma garantia de dois(2) anos a contar da data de compra, da Invacare Portugal contra defeitos de fábrica. A capa tem uma garantia de noventa(90) dias a contar da data de compra. Em relação ao comprador/ usuário original, a Invacare Portugal dá garantia vitalícia nos componentes metálicos por ela fabricados contra defeitos de material e fabrico. Esta garantia exclui qualquer parte de madeira, esponja plástica ou componentes estofados.

Se durante o período de garantia ficar satisfatoriamente provado perante a Invacare Portugal que o produto é defeituoso, este será reparado ou substituído, segundo opção da Invacare Portugal; A obrigação da Invacare Portugal e o seu direito, segundo esta garantia, limita-se apenas ao conserto ou substituição acima referidos. Para qualquer serviço dentro do período de garantia, por favor contacte o Departamento de Serviços da Invacare Portugal durante o horário de trabalho normal. Após receber notificação sobre um produto alegadamente defeituoso, a Invacare Portugal emitirá uma autorização serializada de retorno. O produto deve ser então devolvido para um Centro de Serviço ou Sucursal da Invacare segundo seja estipulado pela Invacare Portugal. A(s) parte(s) defeituosa(s) deve(m) ser devolvida(s) para inspeção usando o número de série como identificação num prazo de trinta (30) dias a contar da data de autorização de retorno. Não devolva produtos para a nossa fábrica sem autorização prévia.

LIMITAÇÕES E EXCLUSÕES: A PRESENTE GARANTIA NÃO COBRE DESGASTE RESULTANTE DO USO NORMAL, NEM PRODUTOS EXPOSTOS A USO NEGLIGENTE, ACIDENTES, UTILIZAÇÃO, MANUTENÇÃO E ARMAZENAMENTO INADEQUADOS, USO PARA FINS COMERCIAIS OU INSTITUCIONAIS, PRODUTOS MODIFICADOS SEM O CONSENTIMENTO EXPRESSO E POR ESCRITO DA INVACARE(INCLUINDO E NÃO SÓ, MODIFICAÇÃO ATRAVÉS DO USO DE PARTES OU ACESSÓRIOS NÃO AUTORIZADOS) OU A PRODUTOS DANIFICADOS AO SER CONSERTADO ALGUM COMPONENTE SEM AUTORIZAÇÃO ESPECÍFICA DA INVACARE/INVACARE SERVICE REPRESENTATIVE.

OBS: Kontrollera att ingen skada skett under transporten. I de fall skador observeras använd INTE produkten. Kontakta din leverantör.

SÄKERHETSFÖRESKRIFTER

Följande rekommendationer ges för säker installation av Personal Seat och dynstärkaare:

Säkerhetsföreskrifterna gäller missöden och osäkert handhavande, vilket kan resultera i skador för individen och/eller egendomen.

VARNING

Använd inte denna produkt utan att först ha läst och förstått dessa instruktioner. Om det är svårt att förstå dessa instruktioner kontakta din hjälpmedelscentral eller Invacares kundtjänst eller teknisk rådgivare innan produkten tas i bruk för att undvika att olyckor eller skador uppstår.

Det bästa sättet att undvika problem angående liggsår är att förstå orsakerna till dem och din egen roll i hudvårdprogrammet.

Din terapeut eller läkare bör kontaktas om du har frågor angående individuella begränsningar och behov.

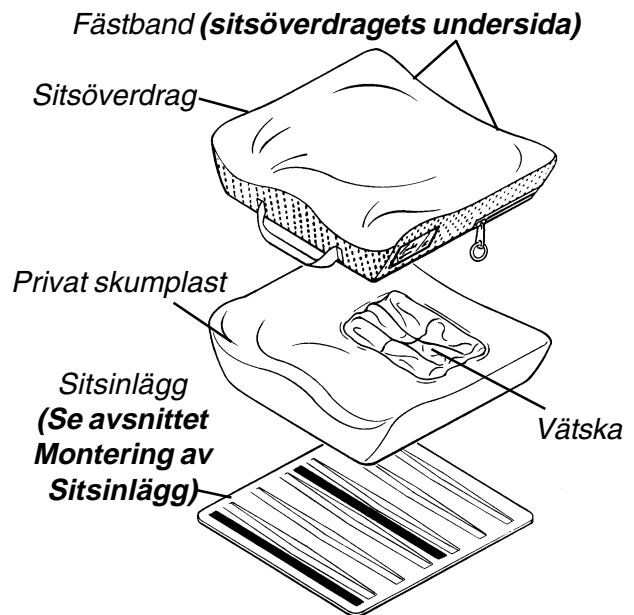
Alla dynor som används för preventiv vård eller för behandling av decubitus ulcer (liggsår) skall väljas noggrant. Samarbete med din terapeut och läkare är det bästa sättet att försäkra sig om att valet av dyna motsvarar dina individuella behov.

Ju svårare individens behov blir desto viktigare är valet av dyna.

Hudtillståndet skall kontrolleras mycket ofta efter att en ny dyna inskaffats.

BESKRIVNING

Privat dynan är utvecklad för att ge höftstabilitet, benplacering och behandling av tryck för användaren. Överdraget är tillverkat av vattenresistent tyg som skyddar skumplasten och skumplasten är behandlad med ett vattenresistent medel för att ge extra skydd.



FIGUR 1. PRIVAT

PLACERING AV DYNAN PÅ RULLSTOLENS SITTYTA

Privat sittdyna fästs på rullstolens sittklädsel med hjälp av kardborrfästen som är placerade på dynans överdrag.

OBS: Dynans dragkedja skall vara bakåt.

Rullstolens Sittyta

1. Kontrollera om rullstolens sittyta är försedd med kardborr-tag eller kardborr-filt.
2. Om rullstolens sittyta är försedd med kardborr-filt, se till att det dubbelsidiga kardborr-tag bandet sitter ordentligt fast på sittdynans undersida.
3. Passa ihop dynans framkant jämnt med sittytans framkant.
4. Placera sittdynan på rullstolens sittyta, och se till att det dubbelsidiga kardborr-tag bandet fäster ordentligt på sittdynans undersida och rullstolens sittyta.
5. Om rullstolen är försedd med kardborr-tag, ta bort det dubbelsidiga kardborr-tag bandet från sittdynans undersida.
6. Passa ihop dynans framkant jämnt med sittytans framkant.
7. Placera sittdynan på rullstolens sittyta, och se till att det kardborr-filt bandet på sittdynan fäster ordentligt kardborr-tag fästet på rullstolens sittyta.

- Om rullstolens sittyta inte är försedd med någon form av kardborrfäste, tag bort det dubbelsidiga kardborr-tagget från sittydan.
- Passa ihop dynans framkant jämnt med sittykans framkant.
- Placera dynan på rullstolens sittyta.

VARNING

Kontrollera att dynan sitter ordentligt fast på rullstolens sittyta innan rullstolen används. Om dynan inte är fast i rullstolens sittyta var försiktig när du sätter dig i eller stiger ur rullstolen.

ANVÄNDNING OCH SKÖTSELRÅD PRIVAT

Montera Överdraget

Överdraget är monterat korrekt när dragkedjan är bak på dynan. Dynans bakre del är där vätskepåsen finns. Dessutom är dynans bakre del märkt med BACK.

Placering av Vätskepåsen

Påsen kan enkelt och säkert installeras i fördjupningen genom att fästa den med kardborr fästet som är placerat på påsens undersida och i dynans fördjupning. Påsen är utvecklad att bli större än fördjupningen så det är nödvändigt att placera påsen ihopvikt så att hela påsen får plats i försänkningen.

Kontroll av Vätskenivå:

OBS: Regelbunden granskning betyder "daglig" granskning för högrisk-användare, granskning "en gång per vecka" för medium-risk-användare och "varannan vecka" för lågrisk-användare.

Kontrollera regelbundet att det finns tillräckligt med vätska för i vätskepåsen för att kunna "flyta ut" och skydda de beniga delarna. För lite vätska kan skapa trycksår. Kontrollera användarens hud för eventuella röda tryckmärken. Yta utan vätska, med mindre än 3 mm skydd, kan kräva vätsketillägg.

OBS: Tänk på att områden där det inte finns någon vätska har 19 mm mjuk skumplast som underdyna och hjälper till att skydda de beniga delarna.

Förvaring:

VARNING

Förvaring av dynan i onormalt kalla eller varma förhållanden kan leda till att vätsketemperaturen blir sådan att den kan skada användarens hud.

Om dynan har förvarats i en temperatur under 5° C eller över 32° C bör dynans vätskepåse uppnå normal rumstemperatur innan den tas i bruk. Den löstagbara vätskepåsen kan läggas i varmt eller kallt vatten för att uppnå normal rumstemperatur snabbare (vattentemperaturen bör inte överskrida 50° C).

Temperaturen i en bil kan bli upp till 94° C om bilen är parkerad i solen. Om din dyna är utsatt för ökad temperatur kontrollera vätskepåsens temperatur innan användning och se att vätskan i påsen hålls jämn. Läs **KONTROLL OCH RENGÖRING** i denna manual.

Skötsel av överdrag

Privats överdrag är tillverkat av vattenresistent material. Övre delen och sidorna är tillverkade av ett patenterat vattenresistent stretch-tyg. Undre delen är tillverkat av ett särskilt vattenresistent tungt tyg. inkontinens kan ge ett mindre läckage ske genom sömmarna eller dragkedjan och därför bör det vattenresistenta överdraget tvättas. Överdraget kan tvättas i maskin i varmt vatten och sedan hängtorka. Läs **KONTROLL OCH RENGÖRING** i denna manual.

Kontroll och Rengöring

- För att försäkra sig om att dynan fungerar som planerat är det nödvändigt att regelbundet kontrollera och rengöra dynan.

VARNING

Fortsätt inte att använda denna produkt om någon av de följande beskrivna problemen uppstår.

- Kontrollera visuellt en gång per vecka att alla delar inklusive metalldelarna, uppstopningen, skumplasten och plastdelarna är hela (ingen deformation, korrosion, söndring, slitage och/eller ihoptryckning).

3. Kontroll av vätskepåsen:

OBS! Innehållet i vätskepåsen är inte giftigt. Ingen söndring eller läckage sker i normal användning. Om läckage upptäcks byt ut påsen genast.

Som en del av den regelbundna kontrollen skall vätskepåsen tas ut ur försänkningen och kontrolleras. Om dynan utsätts för temperaturer över 54° C eller högre bör påsen inspekteras genast. Vätskan i påsen bör ha en jämn vit färg och vara homogen. Om vätskan innehåller genomskinliga områden har den troligtvis separerats till ursprungliga komponenter och bör blandas på nytt. Blandningen sker genom att knåda påsen tills vätskan har en jämn vit färg. Placera påsen tillbaka i försänkningen enligt instruktionerna i **PLACERING AV VÄTSKEPÅSEN** i denna manual.

4. Rengöring en gång per vecka rekommenderas.

VARNING

Tvättas i maskin, fintvätt 30°. Kort centrifugering. Använd mild tvättmedel. INGA sköljmedel eller blekningsmedel. Droptorkas.

5. För rengöring av det vattenresistenta skumplastöverdraget använd en mjuk trasa och torka med varmt vatten och en mild tvällösning. Skölj och torka.

VARNING

Överdraget är utvecklat att skydda skumplasten mot möjlig inkontinens och att vara eldsäker. Använd inte dynan utan överdrag.

SITSINLÄGG

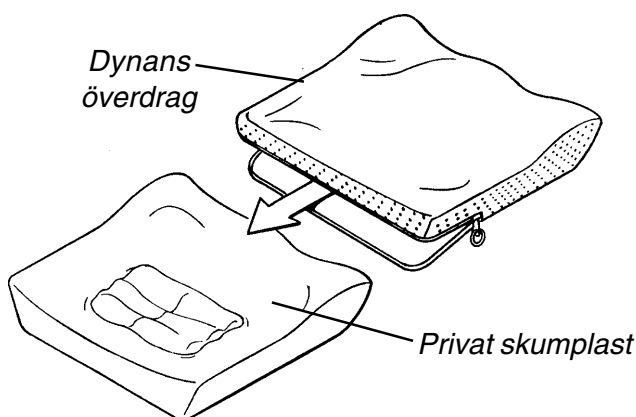
Sitsinlägget är utvecklad för att minska hängmatte-sitsens U-form och ge sittdynan maximal funktion.

MONTERING AV SITSINLÄGGET (FIGURERNA 1, 2 & 3)

1. Avlägsna sittdynan från stolen.
2. Öppna dragkedjan och drag av överdraget från skumplasten (dynan) (Figur 1).

OBS! Ta INTE bort skyddspappret från limytorna på sitsinlägget förrän du märkt ut den rätta platsen på skumplasten. Var säker på att placeingen är rätt för sitsinlägget kan inte installeras och tas bort flera gånger.

3. Placera sitsinläggets yta med limband (fortfarande med skyddspappret kvar på limytorna) mot Privat dynans botten (Figur 2).



FIGUR 1. ATT AVLÄGSNA DYNANS ÖVERDRAG

VARNING

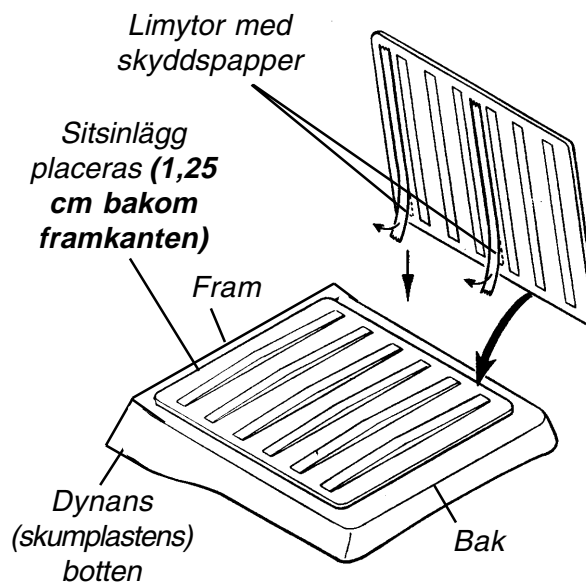
Sitsinläggets framkant skall placeras parallellt 1,25 cm bakom dynans (skumplastens) framkant så att användarens ben inte skall kunna komma att skadas om de kommer i kontakt med sitsinläggets framkant.

4. Placera sitsinlägget 1,25 cm från dynans (skumplastens) **FRAMKANT** och centrerad i mitten av högra och vänstra sidorna (Figur 2).

VARNING

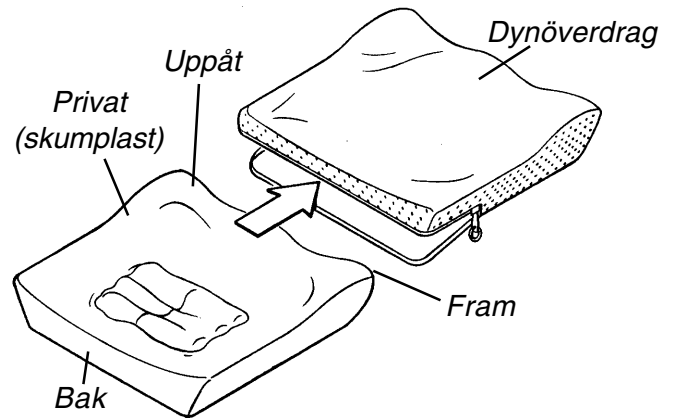
Var försiktig så att inte dynans överdrag skadas.

5. Märk ut på dynan (skumplasten) sitsinläggets placeringsområde med penna. Rita efter sitsinläggets kanter.
6. När du märkt ut området, dra bort skyddspappret från limytorna på sitsinlägget och montera den på dynans (skumplastens) botten (**undre sida**) (Figur 2).
7. Tryck fast sitsinlägget med kraft på dynan (skumplasten) (Figur 2).



FIGUR 2. MONTERING AV SITSINLÄGGET

8. Sätt tillbaka dynans överdrag och placera sedan dynan i rullstolen. Kontrollera att dynan sitter fast ordentligt på rullstolens sittyta.



FIGUR 3. ÅTERMONTERING AV DYNANS ÖVERDRAG

GARANTI

Denna garanti gäller endast den ursprungliga kunden och inverkar inte på lagstadgade rättigheter.

Invacare AB garanterar att skumplastdynan är felfri för en period av två (2) år från inköpsdatumet. Dynans överdrag har en garanti på nittio (90) dagar från inköpsdatumet. Till den ursprungliga köparen/användaren garanterar Invacare AB att komponenterna tillverkade av metall är felfria vad beträffar material och tillverkning för produktens hela livslängd, med undantag av trä-, skumplast- eller uppstoppade komponenter. Om produkten inom garantiperioden visar sig vara felaktig (efter kontroll av Invacare AB Service Representant), skall den repareras eller utbytas (valet görs av Invacare Service AB Representant).

För garantiservice vänligen kontakta Invacare AB Service Representant under arbetstid. När Invacare AB Service Representant får uppgift om en felaktig produkt, kommer den att be er returnera produkten. Söndriga komponenter skall returneras för garanti-inspektion med serienumret som identifikation inom trettio (30) dagar efter returgodkännandet. Returnera INTE produkter till fabriken utan tidigare godkännande.

BEGRÄNSNINGAR OCH UNDANTAG: OVAN NÄMND A GARANTI GÄLLER INTE ONORMAL SLITNING OCH NÖTNING OCH INTE HELLER PRODUKTER SOM BLIVIT UTSATTA FÖR OLYCKOR, DÅLIG SKÖTSEL, VÅRD ELLER FÖRVARING, KOMMERCIELL ELLER INSTITUTIONELL ANVÄNDNING, PRODUKTER SOM ÄNDRATS UTAN INVACARES SKRIFTLIGT GODKÄNNANDE (INKLUDERANDE MEN INTE BEGRÄNSANDE, MODIFIKATION GENOM ATT ANVÄNDA ICKE-GODKÄNDA DELAR) ELLER PRODUKTER SKADADE GENOM REPARATION PÅ NÅGON DEL UTAN SÄRSKILT GODKÄNNANDE AV INVACARE AB SERVICE REPRESENTANT.

BEMÆRK: Undersøg alle dele for forsendelses beskadigelse og afprøv før brug. I tilfælde af beskadigelse, **BENYTTES DE IKKE**. Kontakt Deres udstyrsleverandør for yderligere instruktion.

SIKKERHEDS RESUMÉ

De følgende anbefalinger er foretaget for sikker installation af Det Personlige Sæde og Pudestiver:

ADVARSLER/FORSIGTIGHED gælder for farlig eller usikker praksis, som kunne resultere i personlig ulykke og/eller ejendels beskadigelse.

ADVARSEL

INSTALLER IKKE dette udstyr uden først at læse og forstå dette instruktionsark. Hvis De er ude af stand til at forstå disse instruktioner, kontakt en professionel indenfor sundhedssektoren, forhandler eller teknisk personale, hvis tilgængelig, før forsøg på at installere dette udstyr - ellers kan ulykker eller beskadigelse opstå.

Den bedste måde at undgå problemer på relateret til liggesår er at forstå deres årsager og Deres rolle i et hudbehandlings program.

Deres terapeut og læge skal konsulteres, hvis De har spørgsmål angående individuelle begrænsninger og behov.

Alle puder, som benyttes for forebyggelse eller behandling af liggesår (tryksår) skal udvelges omhyggeligt. At arbejde med Deres terapeut og læge er den bedste måde at sikre at et pudevalg, som passer til Deres individuelle behov.

Som individets behov bliver mere kompleks, bliver pudeevalueringen mere vigtig.

Hudkonditionen skal undersøges meget hyppigt efter anskaffelsen af enhver ny pude.

INTRODUKTION

Den personlige sædepude er designet til at give bækkenstabilitet, benplacering og trykhåndtering for brugeren. Betrokket er lavet af et vandmodstandsdygtig stof for at beskytte skumgummiet og skumgummiet er dækket med en vandmodstandsdygtig dækning for at give yderligere beskyttelse.

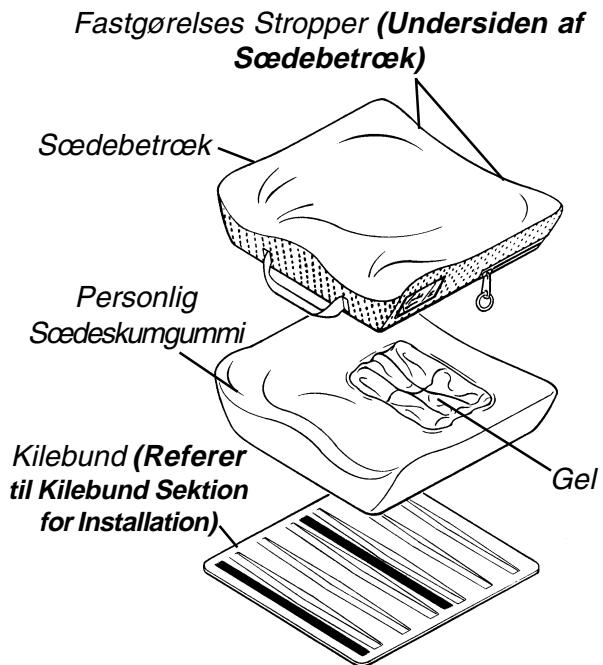


FIGURE 1 - PERSONAL SEAT

FASTGØFIGUR 1 - PERSONLIG SÆDESÆDEOVERFLADEN

Privat puden fastnes til kørestolens sæde ved hjælp af burrebåndene i bunden af puden.

BEMÆRK: Lynlåsen på puden skal vende bagud.

Rullestols Sædeoverflade

1. Afgør om burrebåndene på kørestolen er hæftende eller den bløde del.
2. Hvis rullestolen har løkkefastgørelses stropper, verificer at de dobbeltsidede høgtestropper er sikkert fastgjorte til løkkefastgørelses stropperne på bunden af puden.
3. Placer den forreste kant af puden på linje med den forreste kant af sædeoverfladen.
4. Fastgør puden til sædeoverfladen, værende sikker på at den dobbeltsidede høgte er sikkert fastgjort til stropperne på løkken på pudebetrøkket og stolen.
5. Hvis rullestolen har høgtefastgørelses stropper, fjern de dobbeltsidede høgtestropper fra puden.
6. Placer den forreste kant af puden på linje med den forreste kant af sædeoverfladen.
7. Fastgør puden til sædeoverfladen, værende sikker på at løkkestropperne på pudebetrøkket er sikkert fastgjorte til løkkestropperne på stolen.

8. Hvis kørestols sædeoverfladen hverken har høgte eller løkkefastgørelses stropper, fjern den dobbeltsidede høgte fra bunden af betrøkket.
9. Placer den forreste kant af puden på linje med den forreste kant af sædeoverfladen.
10. Placer puden på rullestolens sædeoverflade.

ADVARSEL

Vær sikker på at høgte og løkkefastgørelserne er sikkert fastgjorte til sædeoverfladen og puden før benyttelse. Hvis puden ikke er sikret til rullestolens sædeoverflade, udøv forsigtighed, når De bevøger Dem ind og ud af rullestolen.

BRUG OG VEDLIGEHOLDELSE AF DET PERSONLIGE SÆDE

Påsestilling af Betrøkket

Betrøkket er rigtigt påsat, når lynlåsen befinder sig på bagsiden af puden. Bagsiden af puden findes, hvor gelpuden er placeret. Yderligere er bagsideoverfladen af puden mærket med "BACK" (RYGLÆN).

Indsættelse af Gelpude

Påfyldningen kan let og rigtigt indsættes i indskæringen ved at tilpasse løkkestropperne på undersiden af påfyldningen med løkkestropperne i pudeindsnittet. Udstopningen er designet til at være større end indsnittet, så det vil blive nødvendigt at placere påfyldningen med folderne, sådan at hele påfyldningen vil være placeret indeni indsnittet.

Checkning af Gelniveauerne:

BEMÆRK: Regelmæssig afmåling betyder "daglig" afmåling for høj risikobrugere, "ugelig" for medium risikobrugere og "to gange om ugen" for lav risikobrugere.

Afmål regelmæssigt for at se om der er tilstrækkelig gel til rigtigt at "flyde" det benede fremstående punkt, afprøv tilpasning af puden i femten (15) minutter. Undersøg derefter gelpuden for områder af utilstrækkelig dækning, ligesåvel som undersøgelse af brugerens hud for røde trykmærker. Ethvert område fra hvilken gel er vandret, efterladende mindre en 3mm dækning, kan kræve yderligere gel.

BEMÆRK: Hold for øje at områder, hvor der ikke er noget væske, har 19mm af blød skumgummiunderpude for at hjælpe det benede fremstående punkt fra at være udtømt.

Temperatur Betragtninger:

ADVARSEL

Opbevaring af puden i ekstrem kolde eller ekstrem varme områder kan forårsage, at væsken når en temperatur, som kan beskadige brugerens hud.

Hvis puden er blevet opbevaret i under 5graders C eller over 32graders C, skal pudevæskeudstopningen tillades at nå normal temperatur før brug. Den bevægelige væskepåfyldning kan dyppes i varmt eller koldt vand for at sætte farten op på temperaturskiftet. (Vandtemperaturen skal ikke overskride 50graders C).

Temperaturen i en lukket automobil kan overskride 94graders C, når den parkeres i direkte sollys. Hvis Deres pude er udsat for forøget temperatur, check væskepåfyldningen før den aktuelle brug og verificer at væsken i påfyldningen forbliver ensartet. Referer til **INSPEKTION OG RENSNING** på dette instruktionsark.

Vedligeholdelse af Betrøkket

Det Personlige Sædebetræk er fabrikeret af et vandmodstandsdygtigt materiale. Toppen og siderne er fabrikeret med et patent vandmodstandsdygtigt strokstoff. Undersiden er fabrikeret af et specielt vandmodstandsdygtigt meget tungt stof. I tilfælde af inkontinens, kan der opstå en utoethed ved sømmen eller ved lynlåsen, så skal den vandmodstandsdygtige dækning renses. Betrøkket skal maskinvaskes i varmt vand og tørres ophængt. Referer til **INSPEKTION OG RENSNING** på dette instruktionsark.

Inspektion og Rensning

1. For at sikre at puden virker som designet, er det nødvendigt at undersøge og rense puden regelmæssigt.

ADVARSEL

FORTSÆT IKKE med at benytte dette produkt, hvis nogle af de følgende problemer, som beskrevet, er blevet opdaget. Korrekt vedligeholdelse kan udføres af eller arrangeres gennem Deres udstyrsleverandør.

2. Undersøg visuelt alle dele hver uge, inkluderende det maskinelle, oppolstrings materiale, skumgummi (hvis det er muligt), og plastik for deformation, korrosion, beskadigelse, slid og/eller sammentryk.

3. **Gelpåfyldnings Inspektion:**

BEMÆRK: Væskeposens indhold er ikke-giftig. Posen vil ikke gå i stykker eller blive utøet under normal brug. Hvis en utoethed bliver opdaget, udskift posen MED DET SAMME.

Som en del af den regelmæssige inspektion af puden skal gelpåfyldningen tages ud af indsnittet i puden og også inspecificeret. Hvis puden er udsat for temperaturer på 54graders C eller mere, skal denne inspektion foretages med det samme. Væsken i påfyldningen skal være ensartet hvid i farven og homogen. Hvis væsken har områder, som er gennemskinnelig, har den muligvis separeret dens komponenter og skal genblandes. Genblanding opnås ved at cølte påfyldningen indtil væsken er ensartet hvid i farven. Genindsæt påfyldningen ind i indsnittet ifølge **INSTALLATION AF VÆSKEPÅFYLDNINGEN** på dette instruktionsark.

4. Ugelig rensning anbefales.

FORSIGTIGHED

MASKINVASK sædebetrækket i koldt vand på et mildt vaskeprogram benyttende et mildt vaskemiddel. BENYT IKKE blødgøringsmiddel eller blegemiddel. INGEN maskintørring. KUN lufttørring. INGEN tørring i solen.

5. For rensning af den vandmodstandsdygtige skumgummidækning, benyt en blød klud og tør rent med varmt vand og en mild sæbeblanding. Rensning og tørring.

FORSIGTIGHED

Betrækket er designet til at beskytte skumgummiet mod en brugers inkontinens og at virke brandhæmmende, derfor må puden ikke benyttes uden dets betræk. Hvis betrækket er itu, skal det udskiftes.

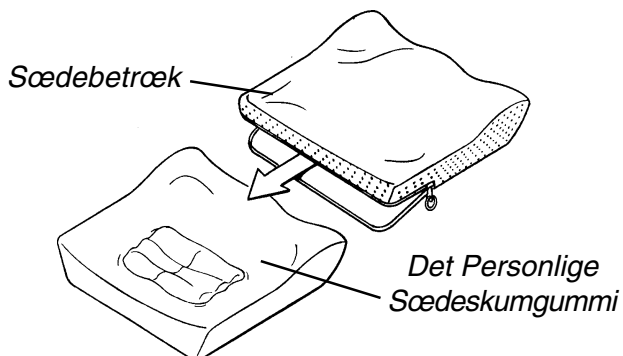
KILEBUND

Kilebunden er designet til at formindske hængekøje effekten på stroppepolstringen, givende en fast, stabil støttebasis.

INDSÆTTELSE AF KILEBUNDEN (FIGURERNE 1, 2 & 3)

1. Fjern sædepude samlingen fra stolen.
2. Åben sædebetræk og fjern det Personlige Sædeskumgummi (FIGUR 1).

BEMÆRK: FJERN IKKE det beskyttende papir fra kløbemidlet, indtil De har mærket placerings- området på Det Personlige Sædeskumgummi. Vær sikker på placeringsområdet, da Pudestiveren ikke vil kløbe sikkert på igen, hvis den installeres og fjernes.



FIGUR 1 - FJERN DET PERSONLIGE SÆDESKUMGUMMI FRA SÆDEBETRÆKKET

3. Placer overfladen af Pudestiveren med klisterpapir mod undersiden af Den Personlige Sæde- pude (FIGUR 2).

ADVARSEL

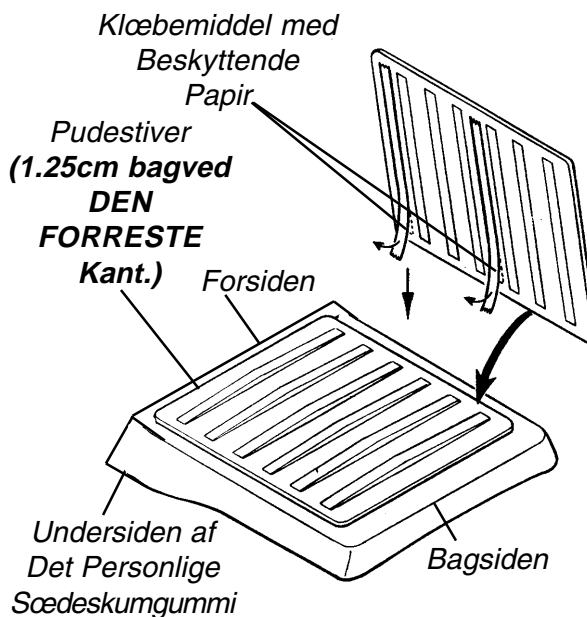
DEN FORRESTE kant af Stiveren SKAL være parallel med DEN FORRESTE kant af Det Personlige Sædeskumgummi og 1.25cm bagved det, sådan at brugerens ben ikke vil være i kontakt med den forreste kant af puden, forårsagende ulykke for brugeren eller beskadigelse af stiveren.

4. Placer kilebunden 1.25cm fra DEN FORRESTE kant af Det personlige Sædeskumgummi, mens De placerer den i midten på venstre og højre side. (FIGUR 2).

FORSIGTIGHED

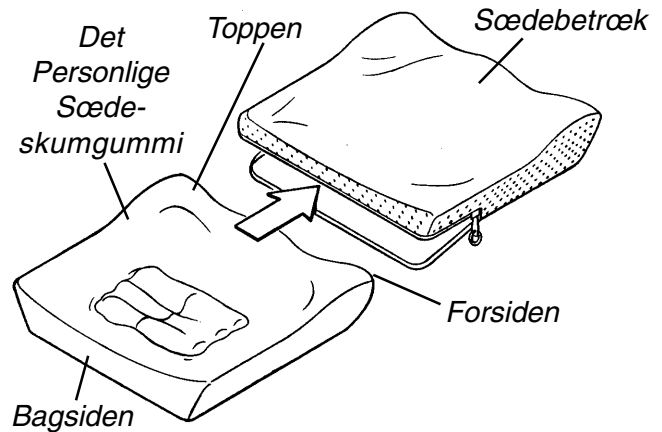
KLIP eller riv IKKE skumgummidækningen itu.

5. Omrids Det Personlige Sædeskumgummi med en tus, kuglepen eller blyant benyttende Kilebunden, når De forsøger at afmærke placerings området.
6. Efter mærkning af placerings området, fjern det beskyttende papir fra kløbemidlet på Kilebunden og indsæt puden på undersiden af Det Personlige Sædeskumgummi (FIGUR 2).
7. Nedpres fast for at kløbe Pudestiveren på Det Personlige Sædeskumgummi (FIGUR 2).



FIGUR 2 - INDSÆTTELSE AF PUDE

8. Pudeskummet lægges tilbage i betrækket, som fastgøres til kørestolen med burrebåndene. Vær opmærksom på at burrebåndene sidder ordentligt sammen, før brug.



FIGUR 3 - GEN-INDSÆT PUDEN I SÆDEBETRÆKKET

BEGRÆNSET GARANTI

Denne garanti strækker sig kun til den oprindelige køber af vores produkter og har ikke nogen effekt på de lovmæssige rettigheder.

Invacare Service Repræsentant garanterer at skumgummipuden er fri for defekter for en periode på to(2) år fra købsdatoen. Pudebetrækket er garanteret for en periode på halvfems (90) dage fra købsdatoen. Med hensyn kun til den oprindelige køber/bruger, garanterer Invacare Service Repræsentant at dets metalfabrikeret maskinelkomponenter er fri for defekter i materiale og arbejdskraft i produktets levetid undtagen alt træ, skumgummiplastik eller polstrede komponenter. Hvis indenfor sådan en garantiperiode at produktet findes at være defekt til Invacare Service Repræsentants begrundede tilfredsstillelse, skal det repareres eller udskiftes, ved Invacare Service Repræsentants muligheder; Invacare Service Repræsentants fulde ansvar, og Deres eksklusive behandling i denne garanti værende begrænset til en sådan reparation eller erstatning.

For garantiservice, vær venlig at kontakte Invacare UK's Service Afdeling/Invacare Service Repræsentant i normal arbejdstid. Ved modtagelsen af meddelelsen om en påstået defekt i et produkt, vil Invacare Service Repræsentant udstede en serialiseret returnerings autorisation. Produktet skal derefter returneres til enten Invacares inventar eller servicecenter som specificeret af Invacare Service Repræsentant. Defekte komponentdel(e) skal returneres for garantiinspektion benyttende serienummeret som identifikation indenfor tredive (30) dage fra returnerings datoen. RETURNER IKKE produkterne til vores fabrik uden forudgående samtykke.

BEGRÆNSNINGER OG EKSKLUSIONER: DEN FOREGÅENDE GARANTI DÆKKER IKKE NORMALT SLID OG GÆLDER IKKE FOR PRODUKTER, SOM HAR VÆRET UDSAT FOR NEGLIGERING, URIGTIG OPERATION, VEDLIGEHOLDELSE ELLER OPBEVARING, KOMMERCIEL ELLER INSTITUTIONEL BRUG, PRODUKTERNE MODIFICERET UDEN INVACARES EKSPRES SKREVNE SAMTYKKE (INKLUDERENDE, MEN IKKE BEGRÆNSET TIL, MODIFIKATION Gennem BRUGEN AF UAUTHORISEREDE DELE ELLER TILBEHØR) ELLER FOR PRODUKTER SOM ER BESKADIGET GRUNDET REPARATIONS FORETAGELSEN AF ENHVER KOMPONENT UDEN SPECIFIK SAMTYKKE FRA INVACARE SERVICE REPRÆSENTANT.

HUOM! Tarkista kaikki osat, ettei niissä ole kuljetusvaurioita. Mikäli niissä on kuljetusvaurioita, älä käytä osia. Ota yhteyttä valmistajaan lisäohjeita varten.

YHTEENVETO TURVAOHJEISTA

Seuraavat suositukset annetaan yksilöllisen istuimen ja tynnyksen turvalliseksi asentamiseksi:

VAROITUKSET/HUOMIOKOHDAT koskevat huolimatonta ja varomatonta käyttöä, minkä seurauksena käyttäjä ja tavara voivat vahingoittua.

VAROITUS

ÄLÄ asenna tätä laitetta, ellei ole ensin lukenut ja ymmärtänyt käyttöohjetta. Mikäli sinulla on vaikeuksia ymmärtää varoituksia tai käyttöohjeita, ota yhteyttä terveydenhoitoalan ammattilaiseen, valmistajaan tai tekniseen asiantuntijaan, ennen kuin yrität asentaa tätä laitetta - muutoin saatat vahingoittaa itseäsi ja laitetta.

Paras keino välttää makuuhaavoja on ymmärtää niiden syyt ja oma panoksesi ihonhoito-ohjelmassa.

Sinun tulee ottaa yhteyttä omaan lääkintävoimistelijaasi tai lääkäriisi, mikäli haluat tietää yksilöllisistä rajoitteista ja tarpeista.

Kaikki painehaavojen estoon tai hoitoon käytettävät tynnyt on valittava huolella. Yhteistyössä lääkintävoimistelijan ja lääkärin kanssa onnistut valitsemaan parhaan tarpeisiisi sopivan tynnyksen.

Mitä vaativampi käyttäjä, sen tärkeämpää on arvoida tynnyksen sopivuus.

Ihoa on tarkkailtava todella usein aina kun uusi istuintynnyksen otetaan käyttöön.

JOHDANTO

Yksilöllisen istuintynnyksen tarkoituksena on antaa tukea lantion ja jaloille sekä auttaa painon tasaamisessa. Istuintynnyksen on tehty vettä hylkivästä kankaasta, joten se suojaaa vaahtomuovia; vaahtomuovi on myös käsitelty vettä hylkivällä pinnoitteella, mikä antaa lisäsuojaa.

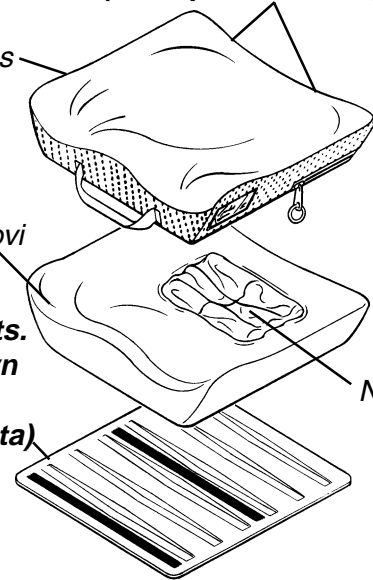
Kiinnityshihnat (istuinpäällisen alla)

Istuintynnyksen suoja

Vaahtomuovi

Kovapohja (kts. kohta tynnyksen jäykistimen asentamisesta)

Neste



KUVA 1 - YKSILÖLLINEN ISTUIN

TYNNYN KIINNITYS ISTUIMEEN

Yksilöllinen istuin kiinnitetään pyörätuolin pehmusteisiin tarranauhojen avulla, jotka sijaitsevat istuintynnyksen alaosassa.

HUOM! Tynnyksen vetoketjun tulee olla taaksepäin.

Pyörätuolin Istuinosa

1. Päättää, onko pyörätuolin istuinosaan koukkupinta tai nukkapinta tarranauhakiinnitys.
2. Mikäli tuolissa on nukkapinta tarranauhakiinnitys, tarkista, että koukkupinta tarranauhat tarttuvat tynnyksen alapuolella oleviin nukkapinta vastatarroihin.
3. Aseta tynnyksen etureuna samaan kohtaan istuimen etureunan kanssa.
4. Kiinnitä tynnyksen huolella istuinosaan ja tarkista, että koukkupinta tarranauhat tarttuvat tiukasti istuintynnyksen suojaan ja tuolissa oleviin nukkapinta vastatarroihin.
5. Mikäli pyörätuolissa on koukkupinta tarranauhakiinnitys, poista koukkupinta tarranauhat istuintynnyksestä.
6. Aseta tynnyksen etureuna samaan kohtaan istuimen etureunan kanssa.
7. Kiinnitä tynnyksen huolella istuinosaan ja tarkista, että tynnyksessä olevat nukkapinta tarranauhat tarttuvat tiukasti kiinni tuolissa oleviin vastatarroihin.

8. Mikäli pyörätuolin istuimessa ei ole koukkupinta eikä nukkapinta tarroja, poista istuinsuojuksen alla oleva koukkupinta tarra.
9. Aseta tyynyn etureuna samaan kohtaan istuimen etureunan kanssa.
10. Laita tyyny pyörätuolin istuinosan päälle.

VAROITUS

Tarkista, että istuinosan ja tyynyn välissä olevat tarranauhat ovat tiukasti kiinnitetyt ennen kuin tuolia käytetään. Mikäli tyynyä ei ole kiinnitetty istuimeen, ole varovainen, kun siiryt tuoliin ja tuolista pois.

YKSILÖLLISEN ISTUIMEN KÄYTTÖ JA HOITO

Istuinsuojuksen Asettaminen Paikoilleen

Istuinsuojus on oikein paikoillaan, kun vetoketju sijaitsee tyynyn takana, kohdassa, jossa nestetyyny sijaitsee. Lisäksi tyynyn takaosassa on merkintä "BACK".

Nestetyynyn Asettaminen Paikoilleen

Tyyny voidaan asentaa helposti ja tarkasti tyynyssä olevaan syvennykseen liittämällä pohjan tarranauhat syvennyksen vastatarroihin. Tyyny on kooltaan suurempi kuin syvennys, joten on välttämätöntä puristaa tyynyä haitarimaisesti kasaan, jotta tyyny mahtuu kokonaan syvennykseen.

Nestetason Tarkistaminen:

HUOM! Niiden, joilla on suuri riski saada makuuhaavoja, tulee tarkistaa nestetaso päivittäin, vähemmän riskialttiiden kerran viikossa ja muiden joka toinen viikko.

Tarkkaile säännöllisesti, onko tyynyssä riittävästi nestettä niin, että ulkonevat luut pääsevät "kellumaan" kunnolla; kokeile tyynyä ensin viidentoista (15) minuutin ajan. Tarkista sen jälkeen, mitkä kohdat ovat jääneet paitsioon, kuten myös iholle jääneitä punaisia merkkejä. Mikäli neste on paennut mistä tahansa tyynyn kohdasta ja antaa vajaan 3 mm:n peiton, saattaa tyyny tarvita lisää nestettä.

HUOM! Pidä mielessä, että kohdissa, joissa ei ole nestettä, on 19 mm:n pehmeävahto alustyyyny, joka estää luunpäiden kosketuksen pohjaa vasten.

Huomiot Lämpötilasta:

VAROITUS

Tyynyn säilyttäminen hyvin kylmässä tai kuumassa ilmanalassa saattaa aiheuttaa sen, että nesteen lämpötila muuttuu niin, että käyttäjän ihoa vahingoittuu.

Mikäli tyynyä on säilytetty alle 5:n tai yli 32 asteen lämmössä, istuimen nestetyyny on palautettava normaaliin lämpötilaansa ennen käyttöä. Poistettava nestetyyny voidaan laittaa lämpimään tai kylmään veteen, jotta normaali lämpötila palautuisi nopeammin. (Veden lämpötila ei saa ylittää 50 astetta Celsiusta).

Suljetussa autossa lämpötila saattaa nousta yli 94 asteen, mikäli autoon kohdistuu suora auringonvalo. Mikäli tyyny joutuu olemaan korkeissa lämpötiloissa, tarkista nestetyynyn lämpötila ennen käyttöä ja että tyynyn sisällä oleva neste on tasa-aineista. Katso tämän ohjekirjan **TARKISTUS JA PUHDISTUS** -kohtaa.

Istuinsuojuksen Hoito

Yksilöllinen istuinsuojus on valmistettu vettä hylkivistä materiaaleista. Istuinsuojus ja sivut on valmistettu patentoidusta veden kestävästä stretch-kankaasta. Suojuksen pohja on valmistettu veden kestävästä erikoisvillakankaasta. Mikäli käyttäjä sairastaa inkontinenssia, jonkin verran vuotoa saattaa ilmetä saumojen ja vetoketjun kohdalla, joten vettä hylkivä pinta tulee puhdistaa. Istuinsuojus tulee pestä pesukoneessa lämpimässä vedessä ja ripustaa kuivumaan. Katso tämän ohjekirjan **TARKISTUS JA PUHDISTUS** -kohtaa.

Tarkistus ja Puhdistus

1. Varmistaaksesi tyynyn maksimaalisen toimivuuden sinun tulee tarkistaa ja puhdistaa tyyny säännöllisesti.

VAROITUS

Älä jatka tämän tuotteen käyttöä, mikäli huomaat yhtäkään ohjekirjassa kuvatuista vioista. Laitteen myyjä huoltaa tämän laitteen tai järjestää sille huollon.

2. Tarkista kerran viikossa, etteivät osat, pehmusteet, vaahtomuovit (mikäli mahdollista) ja muut muovit ole vääntyneet, ruostuneet, rikkoutuneet, kuluneet ja/tai painuneet.

3. Nestetyynyn tarkistus:

HUOM! Nestepussin sisältö on myrkytöntä. Pussi ei vuoda eikä mene rikki normaalissa käytössä. Mikäli huomaat, että pussi vuotaa, vaihda se uuteen VÄLITTÖMÄSTI.

Edellä mainitun lisäksi tyynyn nestepussi tulee ottaa ulos syvennyksestä ja tarkistaa. Mikäli tyyny joutuu olemaan yli 54 asteen lämmössä, tarkistus on tehtävä välittömästi. Pussin sisällä olevan nesteen tulee olla tasaisen valkoista ja tasa-aineista. Mikäli nesteessä on kohtia, jotka ovat läpikuultavia, siinä olevat komponentit ovat erottuneet toisistaan ja ne täytyy sekoittaa keskenään. Sekoitus tapahtuu tyynyä puristelemalla, kunnes neste on väriltään yhtenäisen valkoista. Laita nestetyyny takaisin syvennykseen tavalla, joka on esitetty tämän ohjekirjan kohdassa **NESTETYYNYN ASENTAMINEN**.

4. Puhdistusta suositellaan kerran viikossa.

VAROITUS

Pese istuinsuojus pesukoneessa kylmässä vedessä, käytä mietoa pesuainetta ja linkoa kevyesti. Älä käytä tekstiilien pehennys- tai valkaisuaineita. Älä kuivaa koneellisesti. Vain ilmakuivaus sallitaan. Suoraa auringonvaloa vältettävä.

5. Käytä vettä hylkivän vaahtomuovin pesemiseksi pehmeää liinaa ja pyyhi puhtaaksi lämpimällä vedellä ja miedolla saippualluoksella. Huuhtele pois ja kuivaa.

VAROITUS

Istuinsuojuksen tehtävänä on suojata vaahtomuovia esim. käyttäjillä, joilla on inkontinenssi sekä estää tulipalon leviäminen. Näin ollen tyynyä ei tule käyttää ilman istuinsuojusta. Mikäli istuinsuojus rikkoutuu, on se korvattava uudella.

KOVAPOHJA

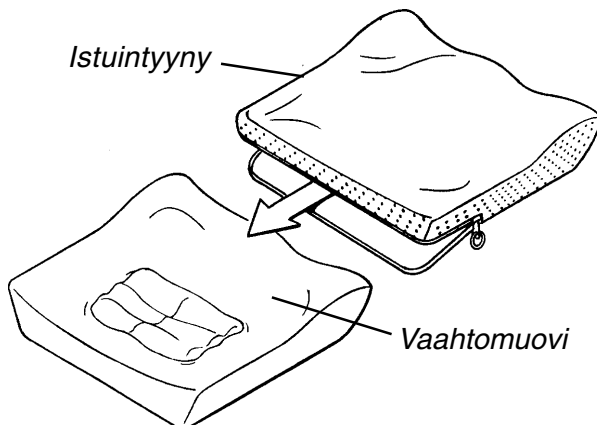
Kovapohja tarkoituksena on vähentää pehmusteen keinumista ja antaa vakaa ja tukeva tuki.

KOVAPOHJA ASENNUS (KUVAT 1, 2 JA 3)

1. Ota istuintyyny pois pyörätuolista.
2. Avaa istuintyynyn vetoketju ja ota vaahtomuovi pois tyynyn sisältä.

HUOM! Älä poista teippikohdan suojapaperia ennen kuin olet merkinnyt oikean sijoituskohdan vaahtomuovissa. Tarkista vielä kerran oikea kohta, sillä jos joudut muuttamaan tyynytyen paikkaa, liimaus ei enää tartu yhtä pitävästi kuin ensimmäisellä kerralla.

3. Laita kovapohja teipillä varustettu etupuoli yksilöllisen istuintyynyn pohjaa vasten.



KUVA 1 - OTA VAAHTOMUOVI POIS TYYNYN SISÄLTÄ

VAROITUS

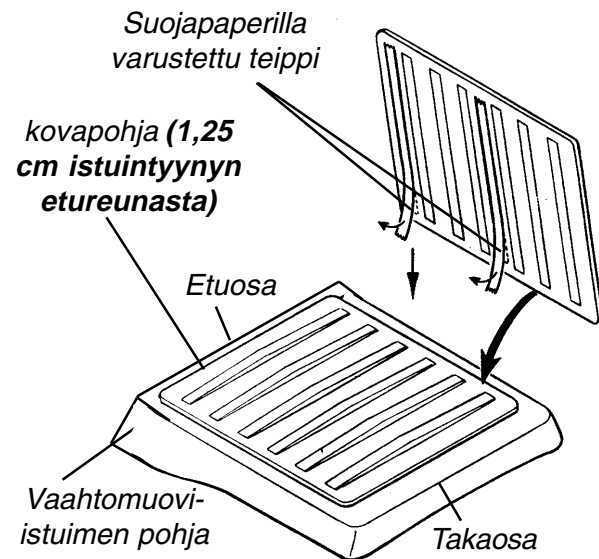
Kovapohja etureuna tulee olla samansuuntainen istuintyynyn etureunan kanssa ja 1,25 cm istuimen etureunasta niin että käyttäjän jalat eivät kosketa kovapohja etureunaan, mikä saattaa vahingoittaa käyttäjää tai tukea.

4. Aseta kovapohja 1,25 cm istuintyynyn etureunasta ja jätä yhtä paljon tilaa vasempaan ja oikeaan reunaan (KUVA 2).

VAROITUS

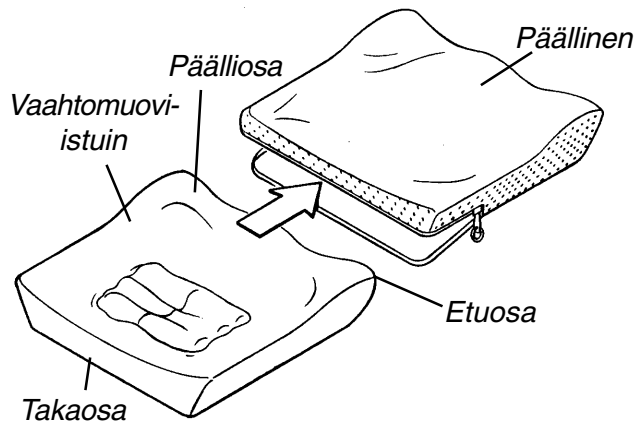
ÄLÄ leikkaa tai revi vaahtomuovia.

5. Merkitse kynällä vaahtomuoviin kovapohja ääriviivat käyttäen sitä mallina oikean sijoituskohdan löytämiseksi.
6. Kun olet merkinnyt oikean sijoituskohdan, poista kovapohja oleva teippi ja paina tuki istuimen vaahtomuovin pohjaan (KUVA 2).
7. Paina tiukasti alas kiinnittäaksesi kovapohja vaahtomuovi-istuimeen (KUVA 2).



KUVA 2 - KOVAPOHJA ASENNUS

8. Laita vaahtomuovi takaisin istuinsuojuksen sisään ja käytä tarrakiinnitimiä pitämään tyynyä paikoillaan istuimessa.



KUVA 3 - LAITA VAAHTOMUOVI TAKAISIN PÄÄLLYKSEN SISÄÄN

TAKUU

Takuu koskee vain tuotteittemme alkuperäistä ostajaa, eikä vaikuta ostajan lakisääteisiin oikeuksiin.

Asianomainen Invacare-valtuutettu takaa, että vaahtomuovityynyillä on kahden (2) vuoden takuu ostopäivästä lukien. Tyynyn päällisellä on (3) kolmen kuukauden takuu ostopäivästä lukien. Tämä koskee vain alkuperäistä ostajaa/käyttäjää. Asianomainen Invacare-valtuutettu takaa sen, että tuen metalliosat kestävät materiaalin ja tekotavan osalta alkuperäisen ostajan eliniän muovi-, vaahtomuovi-, ja pehmusteosia lukuunottamatta. Em. takuuajkojen puitteissa viallinen tavara on palautettava Invacaren Ison-Britannian osastolle/ Invacare-valtuutetulle, jolloin Invacaren Ison-Britannian osaston/Invacare-valtuutetun päätettävissä on arvioida, onko tuote siinä määrin viallinen, että se olisi syytä korjata tai korvata uudella. Takuu kattaa vain tuotteen korjauksen tai uudella korvaamisen.

Takuuhuollon osalta ota yhteyttä virka-aikana Invacaren Ison-Britannian osastoon/ valtuutettuun Invacare-myyjään. Saatuaan tiedon tuotteen viallisuudesta Ison-Britannian Invacare/ valtuutettu Invacare-myyjä antaa sarjanumeroihin perustuvan palautusluvan. Tuote voidaan tällöin palauttaa joko tehtaalle tai huoltoliikkeeseen, jonka sanelee Ison-Britannian Invacare taivaltuutettu Invacare-myyjä. Viallinen komponentti/ vialliset komponentit on toimitettava tuotetarkastukseen ja niistä on ilmentävä sarjanumerot tunnistusta varten kolmenkymmenen (30) päivän kuluessa siitä kun palautuslupa on annettu. ÄLÄ palauta tuotetta meille sopimatta asiasta etukäteen.

RAJOITUKSET: EM. TAKUU EI KOSKE NORMAALIKÄYTÖSTÄ SYNTYNYTTÄ KULUMAA, EIKÄ KOSKE HUOLIMATTOMASTI KÄSITELTYÄ TUOTETTA, ONNETTOMUUSTAPAUKSIA, VÄÄRÄÄ KÄYTTÖÄ, HUOLTOA JA VARASTOINTIA, KAUPALLISTA TAI LAITOSKÄYTTÖÄ, TUOTTEITA, JOITA ON MUUTETTU ILMAN INVACARE`N KIRJALLISTA SUOSTUMUSTA (MUKAAN LUKIEN, MUTTEI YKSINOMAAN KÄYTTÄMÄLLÄ HYVÄKSYMÄTTÖMIÄ OSIA TAI LISÄLAITTEITA) JA TUOTTEITA, JOITA ON VAURIOITETTU, KUN NIITÄ ON YRITETTY KORJATA ILMAN ISON-BRITANNIAN INVACARE`N/ VALTUUTETUN INVACARE-MYYJÄN ANTAMAA POIKKEUSLUPAA.



Invacare Corporation

www.invacare.com



USA
One Invacare Way
Elyria, Ohio USA
44036-2125
800-333-6900

Canada
5970 Chedworth Way
Mississauga, Ontario
L5R 3T9, Canada
905-890-8838

Invacare and "Yes, you can" are trademarks of Invacare Corporation.
© 2000 Invacare Corporation
Form No. 96-121 Part No. 1061931 Rev A (1) 4/00

Free Manuals Download Website

<http://myh66.com>

<http://usermanuals.us>

<http://www.somanuals.com>

<http://www.4manuals.cc>

<http://www.manual-lib.com>

<http://www.404manual.com>

<http://www.luxmanual.com>

<http://aubethermostatmanual.com>

Golf course search by state

<http://golfingnear.com>

Email search by domain

<http://emailbydomain.com>

Auto manuals search

<http://auto.somanuals.com>

TV manuals search

<http://tv.somanuals.com>