

**Power Tiger™
Wheelchair**



Yes, you can.™

Parts Catalog Usage Guide

The information contained in this document is subject to change without notice. This catalog contains service parts for Form No. 93-37. If you have any questions regarding this catalog, please contact one of our Customer Service Representatives.

For Customer Service Support Call:

1-800-333-6900

For Faxed In Orders Call:

1-800-678-4682 or

1-440-366-0709

For Technical Service Call:

1-800-832-4707

Literature Can Be Found at:

www.invacare.com or

1-800-828-6272

SYMBOL DEFINITION

Throughout this catalog you will notice letters to draw your attention to specific footnotes which are located at the bottom of the page or below specified charts.

Examples:

A,B,C etc. = Special Comments

NOTE: = General information pertaining to that specific page

NLA = No Longer Available

HARDWARE MEASUREMENTS

The measurements for the hardware will be listed as follows:

Screws, Bolts Diameter X Thread Count/Pitch X Length

Washers Inside Diameter X Outside Diameter X Thickness

Spacers Inside Diameter X Outside Diameter X Length

For your convenience, we have supplied an area for you to list your Invacare Representatives.

Name	Phone Numbers

©2008 Invacare Corporation. Elyria, Ohio. Invacare, Yes, you can., the Blue Medallion Design are registered trademarks of Invacare Corporation. and Tiger and MKIV are trademarks of Invacare Corporation. Otto Bock is a registered trademark of Otto Bock Orthopaedische Industrie GMBH & Co.. Tash is a registered trademark of Tash International Inc.. Therafin is a registered trademark of W/R/ Medical Electronics Co.. Bussman is a registered trademark of Cooper Industries. MIDI is a registered trademark of Littelfuse Inc.. Dynamic is a registered trademark of Dynamic Controls Limited.

TABLE of CONTENTS

Description	Page Number
A: READ THIS FIRST (THIS CATALOG IS DIFFERENT!)	5
Accessories, Miscellaneous	110
Accessories, Power Wheelchair Tool Kit	108
Adjustable Height Arms	33
Back Canes and Stroller Handle Assembly	14
Battery Boxes and Tray Assembly - MK6i Electronics	68
Battery Boxes and Tray Assembly - MKIV Electronics	66
Caster and Forks, 6" and 8" Casters	57
Electronics - MK6i ~PLEASE READ THIS	75
Electronics - MKIV Controller, Programmer and Attaching Hardware	91
Electronics - MKIV Displays	95
Electronics - MKIV Joystick - PS, PSF and PSR	79
Electronics - MKIV Joystick Mounting Hardware and Joystick Accessories	81
Electronics - MKIV Joystick Options	103
Electronics - MKIV Joysticks - RII, RX, A, A+, TCHJOY	76
Electronics - MKIV Mid-Line Swing Bracket Assembly	84
Electronics - MKIV R.I.M. Head Control Assembly After 8/15/95	101
Electronics - MKIV R.I.M. Head Control Assembly Before 8/16/95	97
Electronics - MKIV R.I.M. Head Control Mounting Hardware	99
Electronics - MKIV Sip-N-Puff/Digital Interface and COM12 and COM34	93
Electronics - MKIV Swivel Joystick Hardware	83

TABLE of CONTENTS

Description	Page Number
Electronics - Quad Link (QLA) After 10/30/05	89
Electronics - Quad Link Assembly Before 10/31/05	86
Electronics - Tash and Therafin Accessories	106
Frame Finishes, Touch-Up Paints and Upholstery Options	6
Frame Width Growth Kits	55
Frame, Seat and Back Cane Hardware	16
Frame, Seat Assembly	12
Front Rigging - Legrest Support Assembly - ATL4A	35
Front Rigging - Adjustable Angle Footplates - After 2/28/95 - AT5543	45
Front Rigging - Adjustable Angle Footplates - Before 3/1/95 - AT5543	41
Front Rigging - Adjustable Angle Footplates - Before 3/1/95 - AT5543	43
Front Rigging - Calf Pads and Ratchet Assemblies	39
Front Rigging - Flip-Up Footplates - AT5043	48
Front Rigging - Footrest and Legrest Accessories	52
Front Rigging - One Piece Adjustable Angle Footboard	49
Front Rigging - Pivot/Slide Tube and Composite Footplates	50
Front Rigging - Swingaway Footrest Support Assemblies	37
Lock Cylinder with Stop Assembly	21
Motor and Gearbox	62
Orbit Seat Option	19
Orbit Seat Option - "T" Arm and Hardware	30

TABLE of CONTENTS

Description	Page Number
Orbit Seat Option - Foot Pedal Release Assembly	25
Orbit Seat Option - Seat Frame Assembly	27
Orbit Seat Option - Seat Rail, Lower Seat Plate Assembly	23
Packaging, Literature and Decals	10
Side Frames and Hardware	54
Solid Back Mounting Hardware	32
Solid Backs and Seats without Hardware	22
Tilt and Non-Tilt Hardware	17
Wheel Locks and Hardware	64
Wheels, Rear and Motor Mounting Hardware	60
Wiring Harnesses and Chargers - MK6i Electronics	73
Wiring Harnesses and Chargers - MKIV Electronics	70

A: READ THIS FIRST (THIS CATALOG IS DIFFERENT!)

Power Tiger
parts catalog information is now divided into two separate catalogs.

The Form Numbers and Cover Titles are listed below.

Form # 093-37

Power Tiger

Form # 06-110

Mk6i Electronics

(Mk6i Electronics were introduced on or about 10/16/2006)

Use both form numbers to order a “complete” Parts Catalog

Frame Finishes, Touch-Up Paints and Upholstery Options

Frame Finishes and Touch-Up Paint

Color Number	Part Number	Bottle Size	Color
02P	1031452	.6 oz	Pink Pearl
06P	1031454	.6 oz	Super Teal
08P	1031456	.6 oz	Deep Purple
17P	1046319	.6 oz	Cobalt Blue
22P	1033376	.6 oz	Anthracite
24P	1031450	.6 oz	Wet Black
29P	1031447	.6 oz	White
30P	1031448	.6 oz	Sunny Yellow
31P	1031453	.6 oz	Lollipop Pink
33P	1031455	.6 oz	Red
34P	1046327	.6 oz	Flat Black
60P	N/A	N/A	Silver Metallic
61P See Note(s) A	1046321	.6 oz	Electric Red
62P See Note(s) A	1046320	.6 oz	Electric Blue
64P See Note(s) A	1046324	.6 oz	Metallic Blue
65P See Note(s) A	1046323	.6 oz.	Metallic Green
69P	1101320-NLA	.6 oz	Teflon Black
71P	N/A	N/A	Silver Vein
80P	1073892	.6 oz	Evergreen with Navy
81P	1073893	.6 oz	Dark Olive with Copper
82P	1073894	.6 oz	Fruit Punch with Fuchsia
83P	1073895	.6 oz	Royal Blue with Grape
84P	1073896	.6 oz	Lavender
101P	1101325	.6 oz	Jeweled Green
102P	1101327	.6 oz	Denim Blue
103P	1101324	.6 oz	Mocha Frost
104P	1101316	.6 oz	Electric Teal
105P	1101326	.6 oz	Midnight Blue
115P	N/A	N/A	Black Prism
116P	N/A	N/A	Sunkissed Orange
117P	N/A	N/A	Tangerine Red
118P	N/A	N/A	Fruit Fusion
119P	N/A	N/A	Bubblegum Pink
120P	N/A	N/A	Grape Madness
121P	N/A	N/A	Lolly Pop Blue
122P	N/A	N/A	Cosmic Blue
123P	N/A	N/A	Celestial Purple
124P	N/A	N/A	Vivid Violet
125P	N/A	N/A	Emerald Green
126P	N/A	N/A	Shamrock Green

Frame Finishes, Touch-Up Paints and Upholstery Options

Frame Finishes and Touch-Up Paint

Color Number	Part Number	Bottle Size	Color
127P	N/A	N/A	Grasshopper Green

NOTE: A - Veiling is not available on these colors.

Frame Finishes, Touch-Up Paints and Upholstery Options

Veil Options

Color Number	Color
13V	Dark Purple Veil
67V	Gold Veil
19V	Green Veil
15V	Grey Veil

Sparkle Frame Finishes

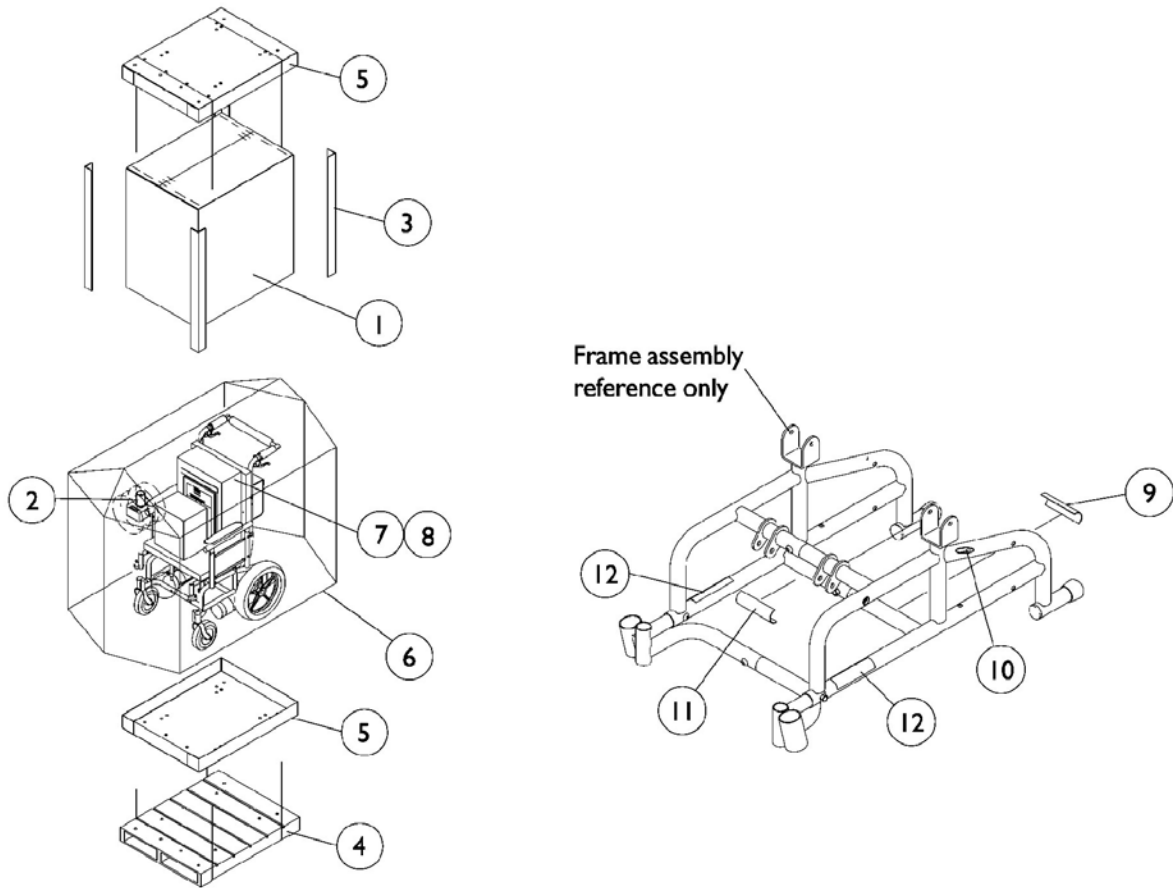
Color Number	Color
72P	Twilight Sparkle
73P	Gold Sparkle
74P	Green Sparkle
75P	Blue Sparkle
76P	Red Sparkle
88P	Wet Black with Twilight Sparkle

Frame Finishes, Touch-Up Paints and Upholstery Options

Upholstery Options

Vinyl Colors	Nylon Colors
U67 Black	U240 Black
U75 Dove Grey	
U85 Dark Blue	
U86 Ruby	
U97 Sky Blue	
U88 Camel	

Packaging, Literature and Decals



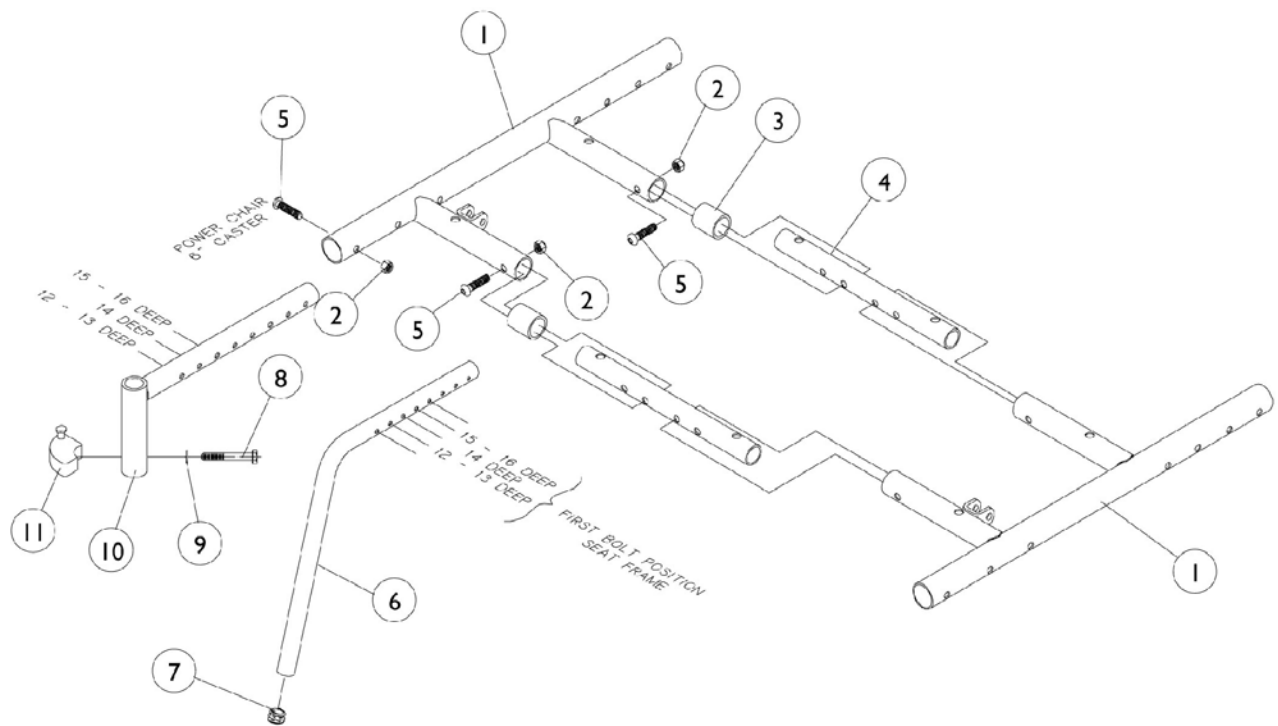
Packaging, Literature and Decals

Item Number	Note	Part Number	Description	Quantity Per	
				Package	Assembly
1		1030364	Carton, Cover	1	1
2		1023612	Paper Tube	1	1
3		1115174	Carton, Corner Reinforcement	1	4
4	E	See Note	See Footnote	1	1
5		1030362	Carton, Tray	1	2
6		1015592	Bag, Poly (72" L x 35" W x 19" D)	1	1
7		40131X011	Carton, Front Riggings	1	1
8		40131X161	Insert, Plain Pad	1	1
9		1035900	Decal, Transportation	1	1
10	C	1095497	Decal, Invacare Logo	1	2
11		1119281	Name Plate, Patent Numbers	1	1
12	B,C	1095220	Decal, Model - Power Tiger (Black)	1	2
12	C	1095221	Decal, Model - Power Tiger (White)	1	2
	A,D	1038410	Decal Package, Power Tiger, Black	1	1
	A,D	1038409	Decal Package, Power Tiger, White	1	1
	D	1134839	Manual, Owner's	1	1

NOTE: A - Decal Package includes Invacare logo, model, transportation and patent number decals.
 B - Used for chairs with frame colors 02P, 29P, 30P and 84P only.
 C - Invacare logo added and model decals changed 1/11/2000. When replacing side frames before 1/11/2000 order decals in pairs to match.
 D - Not Shown.
 E - Wood Skid is not supplied.

Note: When adjusting or replacing parts, please refer to your owner's manual for assistance.

Seat Frame Assembly

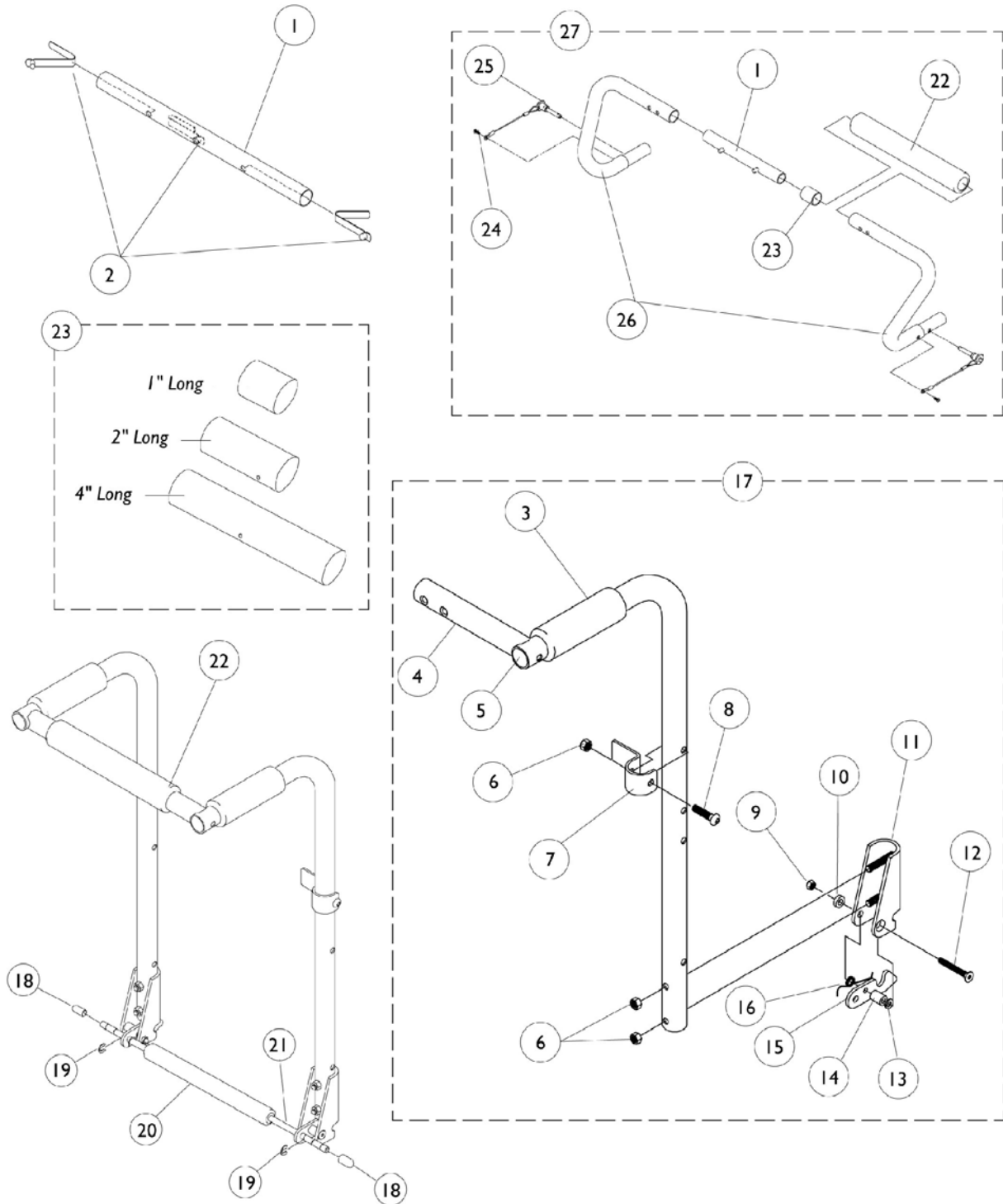


Seat Frame Assembly

Item Number	Note	Part Number	Description	Quantity Per	
				Package	Assembly
1	A,B	8881037653	Tube, Seat Rail	1	2
1	A,C	8881037655	Tube, Seat Rail	1	2
2		7930323	Package, Locknut (1/4-20)	25	2
3	B	1037288	Tube, Spacer	1	2
3	C	1037291	Tube, Spacer	1	2
4	B	1037276	Tube, Seat Frame Slide	1	2
4	C	1037285	Tube, Seat Frame Slide	1	2
5		1008432	Screw, Socket Button Head (1/4-20 x 1-1/4")	1	2
6		8881038406	Fixed Front Frame Tube	1	2
7		1027095	Plug Button, Black (7/8")	1	2
8		1052957	Screw, Hex Head (1/4-20 x 2")	1	2
9		1026907	Washer (1/4 x 1/2 x 1/16")	1	2
10		8881038407	Footrest Mounting Tube w/ Sector Block, Right	1	1
10		8881038408	Footrest Mounting Tube w/ Sector Block, Left	1	1
11		1054571	Kit, Sector Block - Right	1	1
11		1054572	Kit, Sector Block - Left	1	1

NOTE: A - Specify frame color when ordering.
 B - 12-14" Wide Chairs
 C - 15-16" Wide Chairs

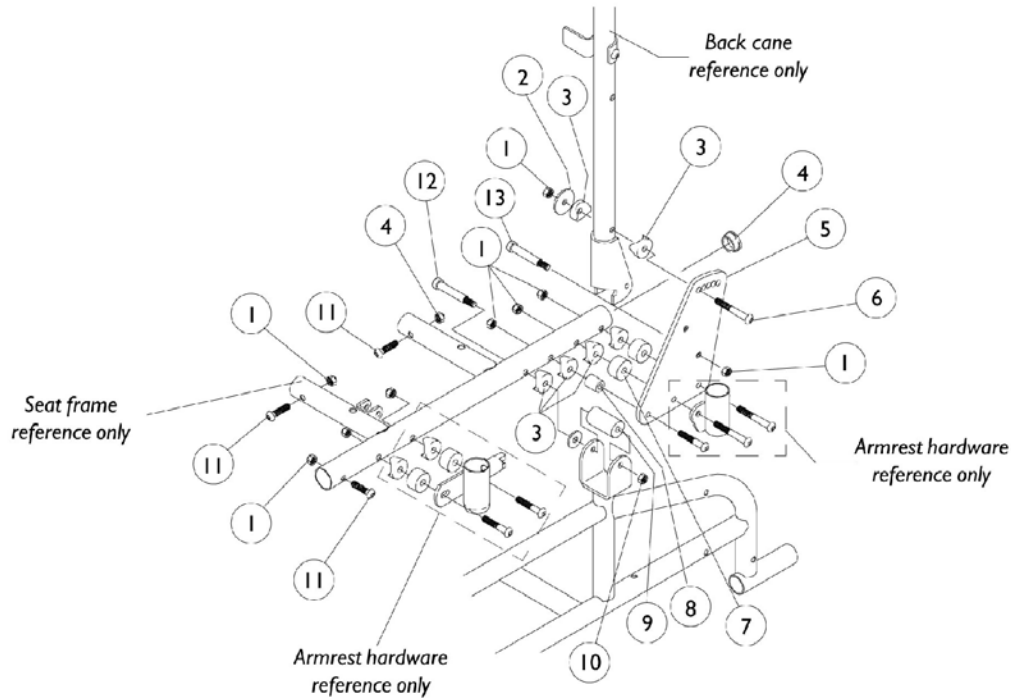
Back Canes and Stroller Handle Assembly



Back Canes and Stroller Handle Assembly

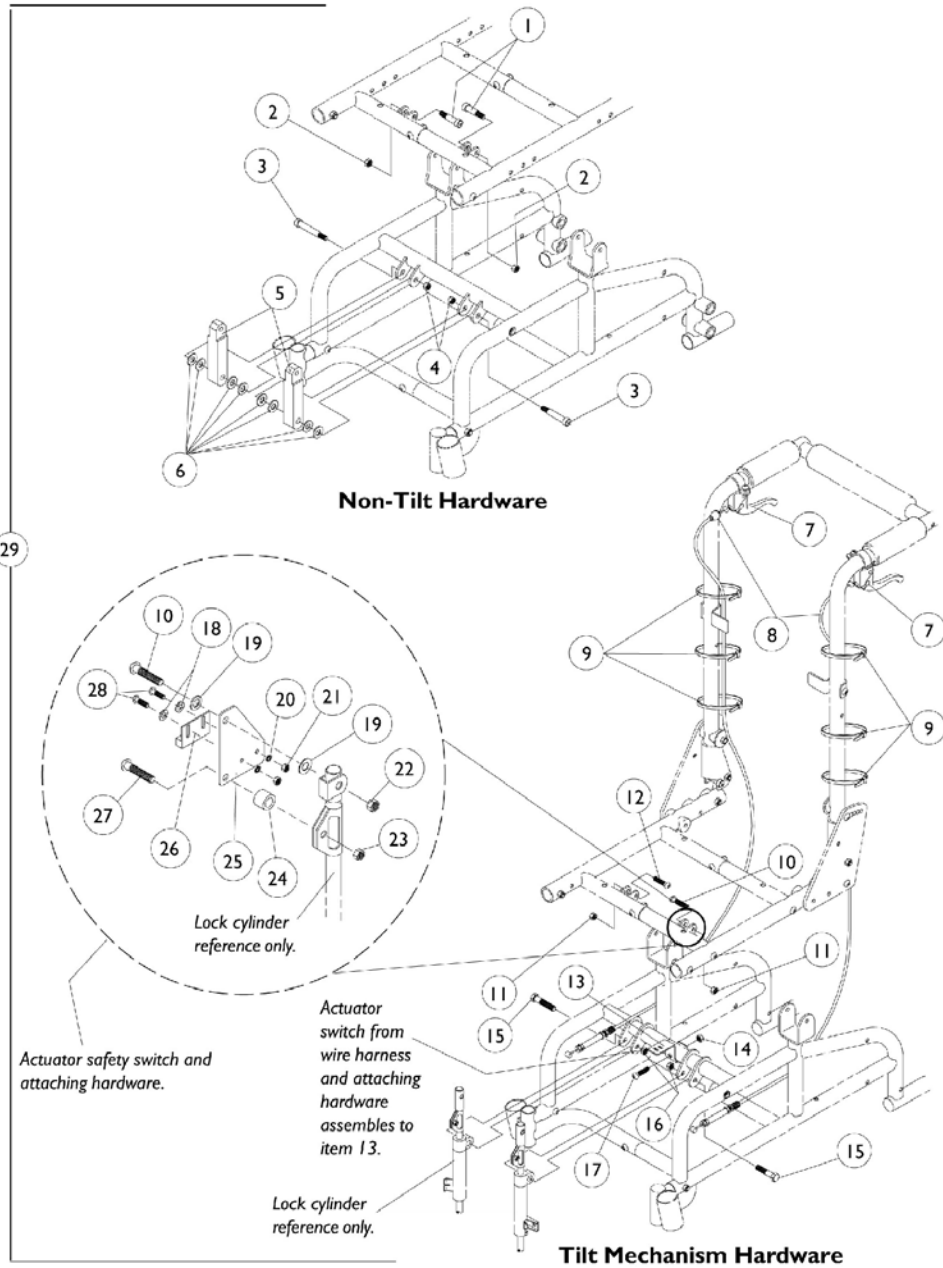
Item Number	Note	Part Number	Description	Quantity Per	
				Package	Assembly
1	A	1038249	Tube, Cane Slide	1	1
1	B	1038250	Tube, Cane Slide	1	1
2		40188X009	Button, Single Snap	1	1
3		1016298	Grip, Push Handle	1	2
4		1029959	Back Cane without Grip and Hardware, Right	1	1
4		1029960	Back Cane without Grip and Hardware, Left	1	1
5		1027095	Plug Button, Black (7/8")	1	1
6		7930323	Package, Locknut (1/4-20)	25	3
7		1025331	Bracket, Back Mounting	1	1
8		1008432	Screw, Socket Button Head (1/4-20 x 1-1/4")	1	1
9		1026031	Nut, Hex with Nylon Cap (#10-32)	1	1
10		1026034	Washer, Nylon (3/16 x 7/16 x 1/8")	1	1
11		1025334	Bracket, Latch, Right	1	1
11		1025335	Bracket, Latch, Left	1	1
12		1025343	Screw, Flat Head (#10-32 x 1-1/2")	1	1
13		1002102	Washer, Wave (3/16 x 7/16 x 1/16")	1	2
14		1020363	Spacer (1/4 x 1/2 x 1/2")	1	1
15		1025337	Latch	1	1
16		1025325	Spring, Torsion, Right	1	1
16		1025326	Spring, Torsion, Left	1	1
17		1029923	Back Cane Assembly, Right	1	1
17		1029924	Back Cane Assembly, Left	1	1
18		1001634	Protective Cap, Black	1	2
19		40314X001	Ring, Retaining	1	2
20		1025350-NLA	Foam Grip, Bottom	1	1
21	A	1025341	Rod, Release	1	1
21	B	1029922	Rod, Release	1	1
22		1016254	Grip, Hand	1	1
23	C	1025359	Tube, 1" Spacer	1	1
23	D	1025360	Tube, Spacer	1	1
23	E	1029930	Tube, Spacer	1	1
24		1014386	Screw, Socket Head (#8-32 x 5/8")	1	2
25		1045470	Pin, Quick Release with Lanyard	1	2
26		1038243	Handle, Stroller, Right	1	1
26		1038244	Handle, Stroller, Left	1	1
27	C	1038252	Handle Assembly, Stroller	1	1
27	D	1038253	Handle Assembly, Stroller	1	1
27	E	1038255	Handle Assembly, Stroller	1	1
NOTE: A - 12-14" Wide Chairs B - 15-16" Wide Chairs C - 12"-13" Wide Chairs D - 14" Wide Chairs E - 15"-16" Wide Chairs					

Seat Frame and Back Cane Hardware



Item Number	Note	Part Number	Description	Quantity Per	
				Package	Assembly
1		7930323	Package, Locknut (1/4-20)	25	20
2		1026060-NLA	Washer, Flat (9/32 x 1 x 5/64)	1	2
3		40157X019	Spacer, Coved (1/4 x 7/8 x 7/16")	1	4
4		1027095	Plug Button, Black (7/8")	1	2
5		1027142	Plate, Back Mounting, Right	1	1
5		1027143	Plate, Back Mounting, Left	1	1
6		7930301	Package, Button Head Cap Screws (1/4-20 x 1-3/4")	25	4
7	A	1036040	Spacer (9/32 x 7/8 x 1/2")	1	4
8	A	1020363	Spacer (1/4 x 1/2 x 1/2")	1	2
9		1036394	Spacer (1-7/16 x 3/4 x 1/4")	1	2
10	B	7930333	Locknut (1/4-20)	25	2
10	C	1026035	Locknut (#10-24)	1	2
11		1008432	Screw, Socket Button Head (1/4-20 x 1-1/4")	1	6
12	B	1036041	Screw, Socket Head Cap (1/4-20 x 3-1/4")	1	2
12	C	1030957	Screw, Socket Head Shoulder (1/4 x 1-3/4")	1	2
13		1025351	Screw, Socket Head Shoulder (5/16 x 1-1/4")	1	2
NOTE: A - 14" Wide B - 12 to 14" Wide C - 15 to 16" Wide					

Tilt and Non-Tilt Hardware



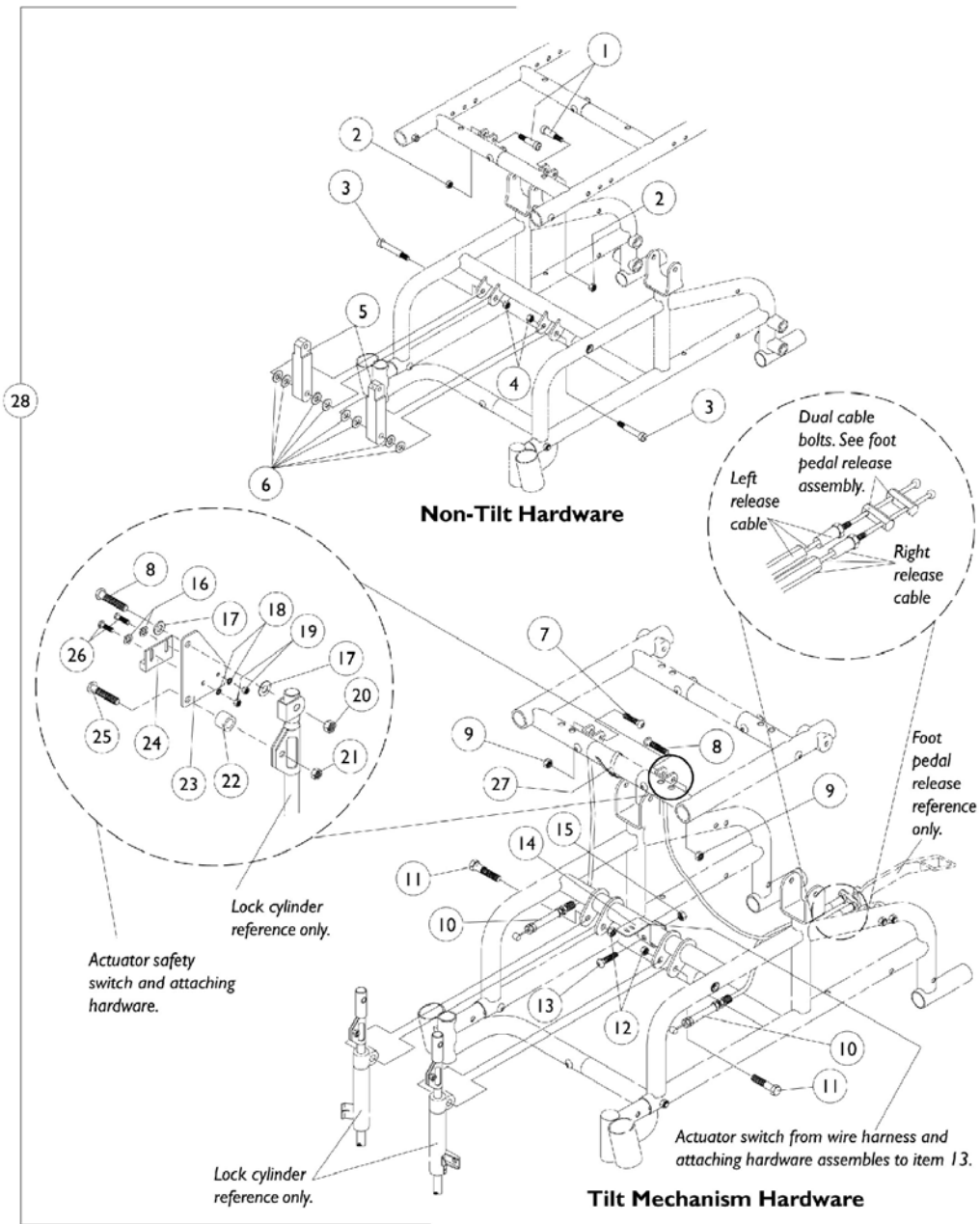
Tilt and Non-Tilt Hardware

Item Number	Note	Part Number	Description	Quantity Per	
				Package	Assembly
1		1029966	Bolt, Shoulder (1/4 x 3/4")	1	2
2		1026035	Locknut (#10-24)	1	2
3		1025351	Screw, Socket Head Shoulder (5/16 x 1-1/4")	1	2
4		7930333	Locknut (1/4-20)	25	2
5		1030263	Link	1	2
6		1012371	Washer, Nylon (3/8 x 7/8 x 1/16")	1	6
7		1023998	Lever, Tilt, Right	1	1
7		1023999	Lever, Tilt, Left	1	1
8		1025352	Cable	1	2
9		1095503	Package, Cable Ties (5-5/8" Long)	10	6
10		1008432	Screw, Socket Button Head (1/4-20 x 1-1/4")	1	1
11		7930323	Package, Locknut (1/4-20)	25	3
12		1009837	Screw, Socket Button Head (1/4-20 x 1")	1	1
13	A	1037898	Bracket, Actuator Switch Mounting, Black	1	1
	B	1027704	Screw, Phillips Pan Head (#4-40 x 3/8")	1	2
	B	1011011	Washer, Plain (1/8 x 5/16 x 1/32)	1	2
	B	P0870X000	Nut, Hex Keps (#4-40)	1	2
14		7930323	Package, Locknut (1/4-20)	25	1
15		1013560	Screw, Hex Head (5/16-18 x 1-1/2")	1	2
16		60290X002	Locknut (5/16-18)	1	2
17		1008432	Screw, Socket Button Head (1/4-20 x 1-1/4")	1	1
18		1011011	Washer, Plain (1/8 x 5/16 x 1/32)	1	2
19		1026033	Washer, Nylon (1/4 x 1/2 x 1/16")	1	2
20		1008525	Washer, Internal Tooth Lock (#4-40)	1	2
21		1005889	Locknut (#4-40)	1	2
22		7930323	Package, Locknut (1/4-20)	25	2
23		7930332	Locknut, High Profile (#10-32)	25	1
24		47330X003	Spacer (5/16 x 1/2 x 3/8")	1	1
25		1037897	Plate, Actuator Mounting	1	1
26		1024001	Sensor, Actuator Switch	1	1
27		1005383	Screw, Socket Button Head (#10-32 x 1")	1	1
28		1027704	Screw, Phillips Pan Head (#4-40 x 3/8")	1	2
29	C	1036832	Hardware, Tilt Mechanism	1	1
29	D	1030273	Hardware, Non-Tilt	1	1

NOTE: A - Attaching hardware for the Actuator Switch Mounting Bracket consists of part numbers 1027704, 1011011, and P0870X000.
 B - Not Shown
 C - Includes Items 7-12, 15, 16, and 18-28
 D - Includes Items 1-6

Orbit Seat Option

Tilt and Non-Tilt Hardware

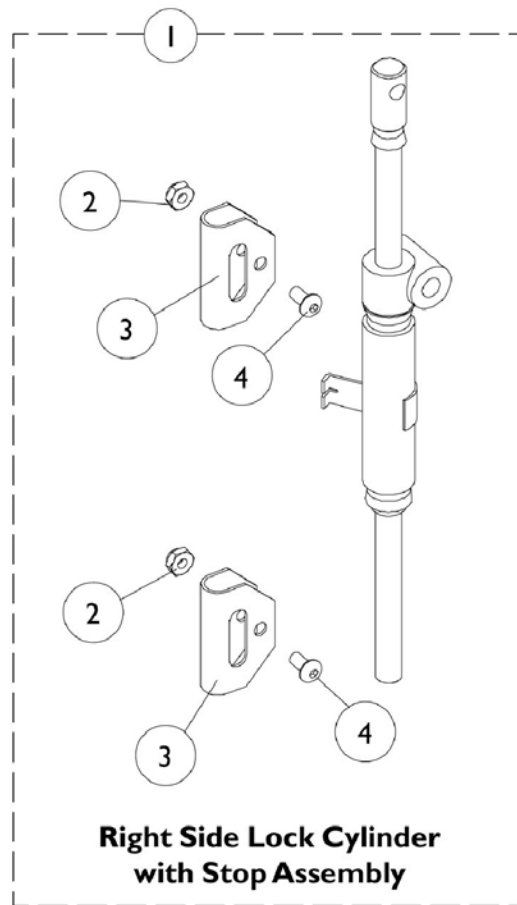
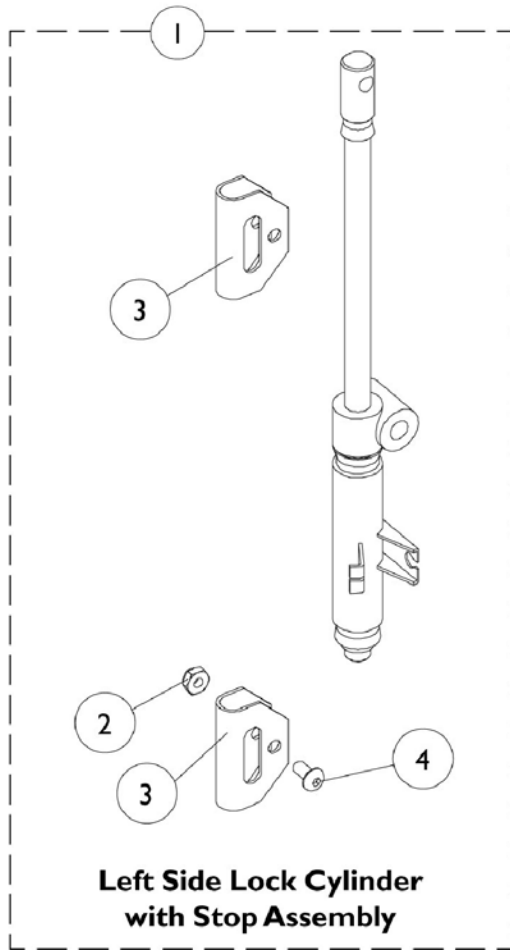


Orbit Seat Option Tilt and Non-Tilt Hardware

Item Number	Note	Part Number	Description	Quantity Per	
				Package	Assembly
1		1029966	Bolt, Shoulder (1/4 x 3/4")	1	2
2		1026035	Locknut (#10-24)	1	2
3		1025351	Screw, Socket Head Shoulder (5/16 x 1-1/4")	1	2
4		7930333	Locknut (1/4-20)	25	2
5		1030263	Link	1	2
6		1012371	Washer, Nylon (3/8 x 7/8 x 1/16")	1	2
7		1009837	Screw, Socket Button Head (1/4-20 x 1")	1	6
8		1008432	Screw, Socket Button Head (1/4-20 x 1-1/4")	1	1
9		7930323	Package, Locknut (1/4-20)	25	1
10		1073876	Cable, Tilt Release	1	1
10		1083061	Cable, Tilt, Left	1	1
11		1013560	Screw, Hex Head (5/16-18 x 1-1/2")	1	1
12		60290X002	Locknut (5/16-18)	1	2
13	D	1008432	Screw, Socket Button Head (1/4-20 x 1-1/4")	1	1
	B	1027704	Screw, Phillips Pan Head (#4-40 x 3/8")	1	1
	B	1011011	Washer, Plain (1/8 x 5/16 x 1/32)	1	1
	B	P0870X000	Nut, Hex Keps (#4-40)	1	2
14		1037898	Bracket, Actuator Switch Mounting, Black	1	2
15		7930323	Package, Locknut (1/4-20)	25	3
16		1011011	Washer, Plain (1/8 x 5/16 x 1/32)	1	1
17		1026033	Washer, Nylon (1/4 x 1/2 x 1/16")	1	2
18		1008525	Washer, Internal Tooth Lock (#4-40)	1	2
19		1005889	Locknut (#4-40)	1	2
20		7930323	Package, Locknut (1/4-20)	25	2
21		7930332	Locknut, High Profile (#10-32)	25	2
22		47330X003	Spacer (5/16 x 1/2 x 3/8")	1	1
23		1037897	Plate, Actuator Mounting	1	1
24		1024001	Sensor, Actuator Switch	1	1
25		1005383	Screw, Socket Button Head (#10-32 x 1")	1	1
26		1027704	Screw, Phillips Pan Head (#4-40 x 3/8")	1	2
27		1095503	Package, Cable Ties (5-5/8" Long)	10	1
28	C	1083065	Hardware, Tilt Mechanism	1	1
28	A	1030273	Hardware, Non-Tilt	1	1

NOTE: A - Includes Items 1-6
 B - Not Shown
 C - Includes items 7-12 and 16-27
 D - Attaching hardware for the Actuator Switch Mounting Bracket consists of part numbers 1027704, 1011011, and P0870X000.

Lock Cylinder with Stop Assembly



Item Number	Note	Part Number	Description	Quantity Per	
				Package	Assembly
1		1027145	Lock Cylinder with Stop Assembly, Right	1	1
1		1038233	Lock Cylinder with Stop Assembly, Left	1	1
2	A	7930332	Locknut, High Profile (#10-32)	25	2
3		1025329	Stop Bracket	1	2
4	A	1025354	Screw, Socket Button Head (#10-32 x 3/8")	1	2

NOTE: A - Left side includes 1

Solid Backs and Seats without Hardware

Solid Backs without Hardware

Chair Width	12" Height	13" Height	14" Height	15" Height	16" Height	17" Height	18" Height
12" Width	8881036052	8881036053	8881036054	8881036055	8881036056	8881036057	8881036058
13" Width	8881025988	8881025989	8881025990	8881025991	8881025992	8881025993	8881025994
14" Width	8881025995	8881025996	8881025997	8881025998	8881025999	8881026000	8881026001
15" Width	special	special	8881037667	8881037668	8881037669	8881037670	8881037671
16" Width	special	special	8881029985	8881029983	8881030124	8881030122	8881030249

NOTE: For back upholstery hardware, see the Solid Back Mounting Hardware page.

Solid Seats without Hardware

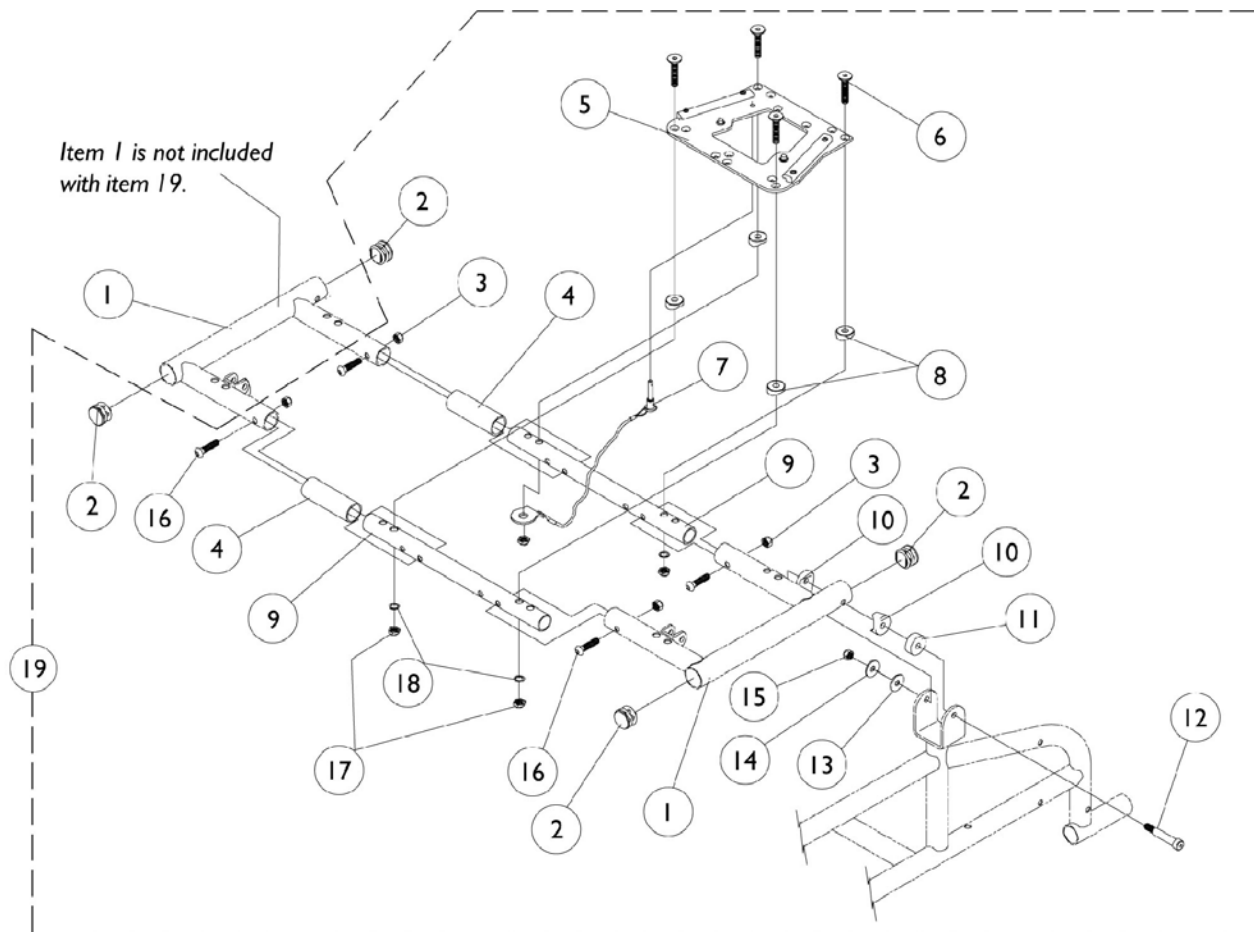
Chair Width	12" Depth	13" Depth	14" Depth	15" Depth	16" Depth
12" Width	8881025857	8881025858	8881025859	N/A	N/A
13" Width	8881025860	8881025861	8881025862	N/A	N/A
14" Width	N/A	8881025863	8881025864	8881036065	8881036066
15" Width	N/A	N/A	1030361-NLA	8881036067	8881036068
16" Width	N/A	N/A	8881030262	8881036069	8881036070

Seat Hardware

Part Number	Description	Quantity Required
1008495	Screw, Socket Button Head (1/4-20 x 1-1/2")	4

Orbit Seat Option

Seat Rail, Lower Seat Plate Assembly



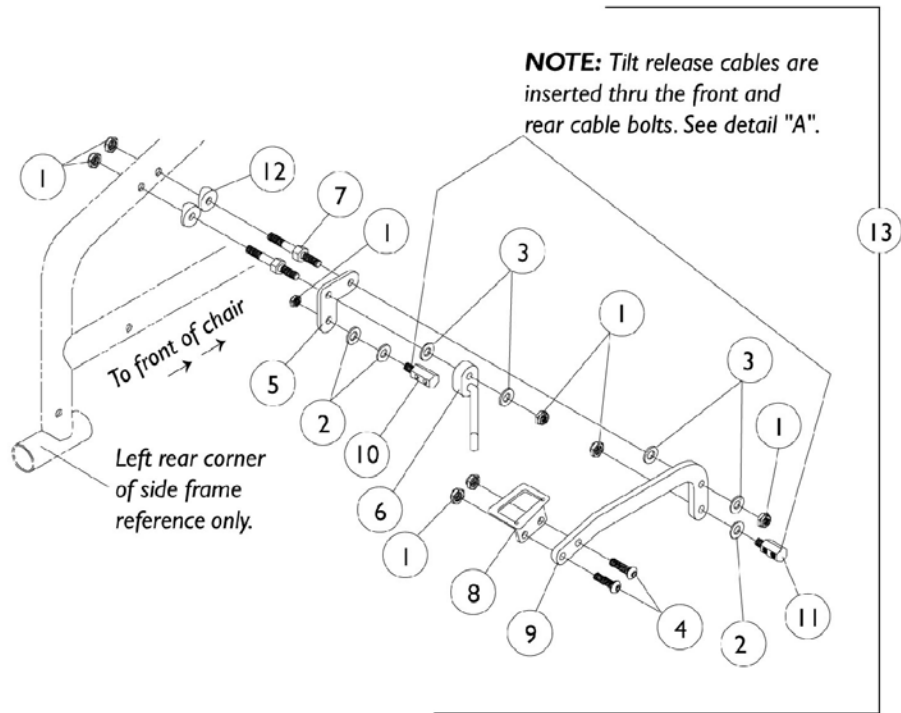
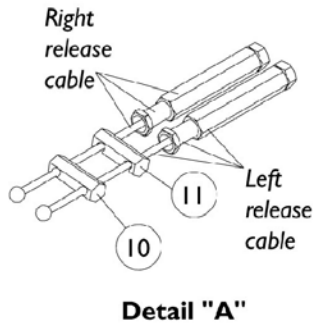
Orbit Seat Option

Seat Rail, Lower Seat Plate Assembly

Item Number	Note	Part Number	Description	Quantity Per	
				Package	Assembly
1	A	8881083060	Frame, Seat Rail	1	2
2		1029501	Plug Button, Black (1")	1	4
3		7930323	Package, Locknut (1/4-20)	25	4
4		1037291	Tube, Spacer	1	2
5		1083130	Plate, Lower Seat	1	1
6		1055332	Screw, Socket Flat Head (1/4 -28 x 1-3/4")	1	4
7		1085036	Pin & Lanyard	1	1
8		1026099	Spacer, Coved (1/4 x 11/16 x 1/2")	1	4
9		1037285	Tube, Seat Frame Slide	1	2
10		40157X020	Spacer, Coved (1/4 x 1 x 9/16")	1	4
11		1036434	Spacer (5/16 x 7/8 x 3/16")	1	2
12		1030957	Screw, Socket Head Shoulder (1/4 x 1-3/4")	1	2
13		1026033	Washer, Nylon (1/4 x 1/2 x 1/16")	1	2
14		1026034	Washer, Nylon (3/16 x 7/16 x 1/8")	1	2
15		1026035	Locknut (#10-24)	1	2
16		1008432	Screw, Socket Button Head (1/4-20 x 1-1/4")	1	4
17		7930345	Locknut (1/4-28)	25	4
18		1002104	Washer, Flat (1/4 x 1/2 x 1/16")	1	4
19	B,C	1083064	Hardware, Seat Mounting	1	1

NOTE: A - Specify frame color when ordering
 B - When converting to an Orbit seat, item 1 must be ordered as well.
 C - Includes items 2-18

Orbit Seat Option Foot Pedal Release Assembly

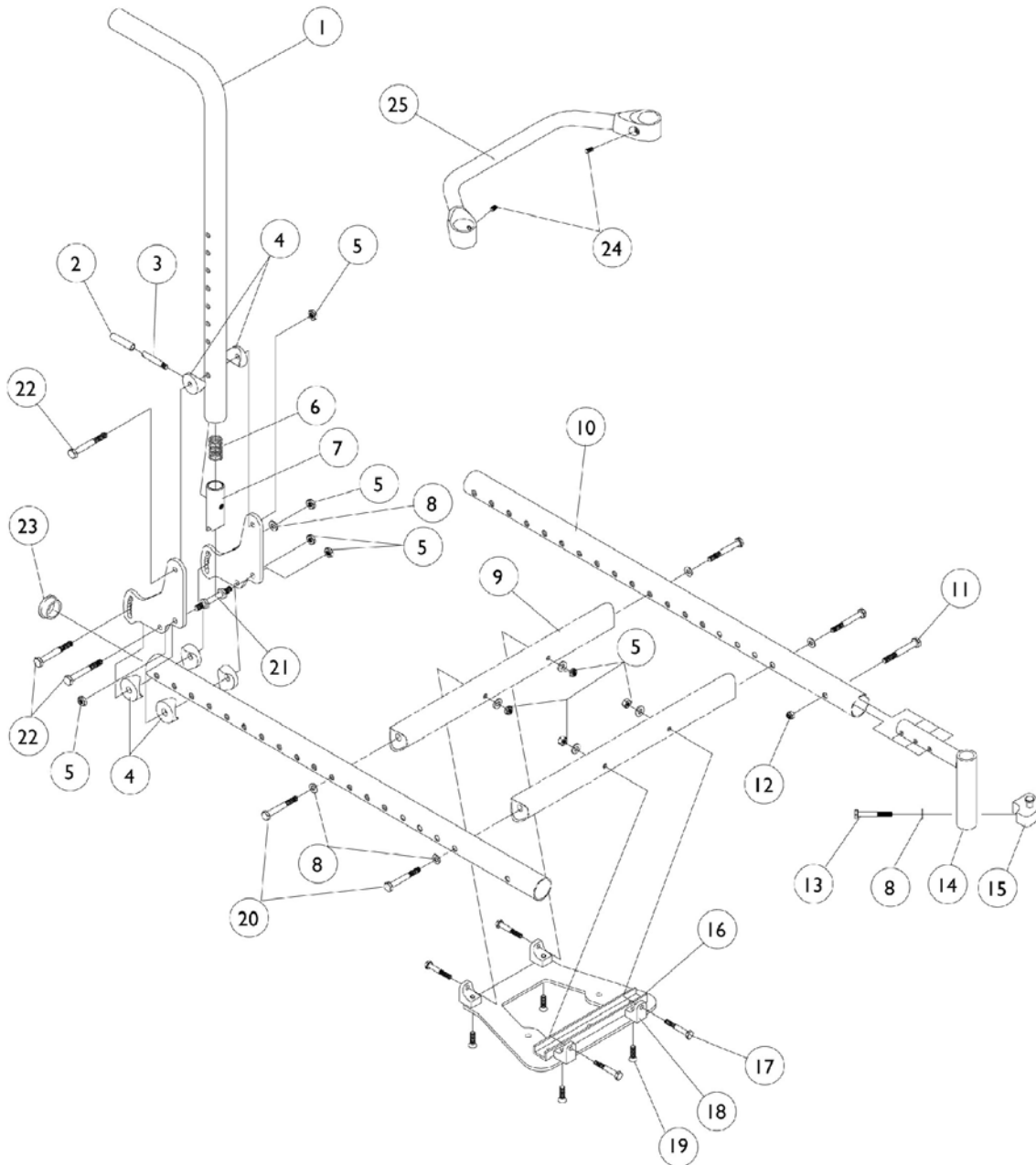


Orbit Seat Option Foot Pedal Release Assembly

Item Number	Note	Part Number	Description	Quantity Per	
				Package	Assembly
1		7930334	Locknut (1/4-28)	25	2
2		1026907	Washer (1/4 x 1/2 x 1/16")	1	4
3		1026103	Washer, Nylon (1/4 x 1/2 x 1/32")	1	4
4		1055305	Screw, Socket Button Head (1/4-28 x 3/4")	1	2
5		1072026	Plate, Mounting	1	1
6		1076398	Lock, Foot Lever	1	1
7		1083458	Pin, Locking	1	2
8		1072025	Foot Pedal	1	1
9		1072027	Bracket, Foot Pedal	1	1
10		1082617	Bolt, Cable (Rear)	1	1
11		1074778	Bolt, Cable (Front)	1	1
12		1026099	Spacer, Coved (1/4 x 11/16 x 1/2")	1	2
13		1071169	Tilt Foot Lever Assembly	1	1
	A	1073876	Cable, Tilt Release	1	1
	A	1083061	Cable, Tilt, Left	1	1

NOTE: A - Not Shown

Orbit Seat Option Seat Frame Assembly

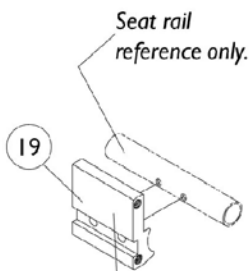
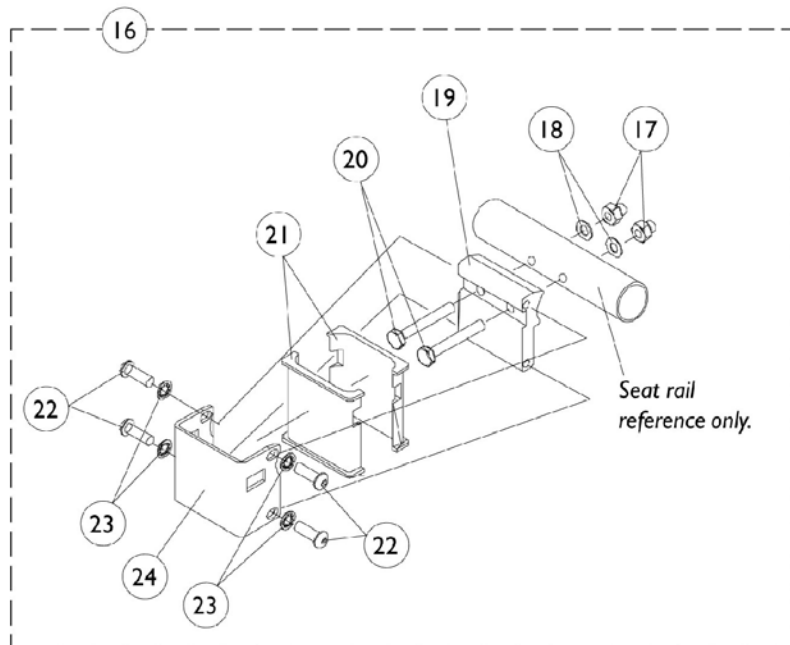
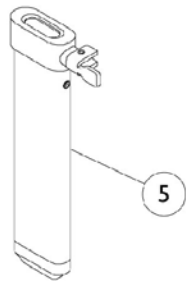
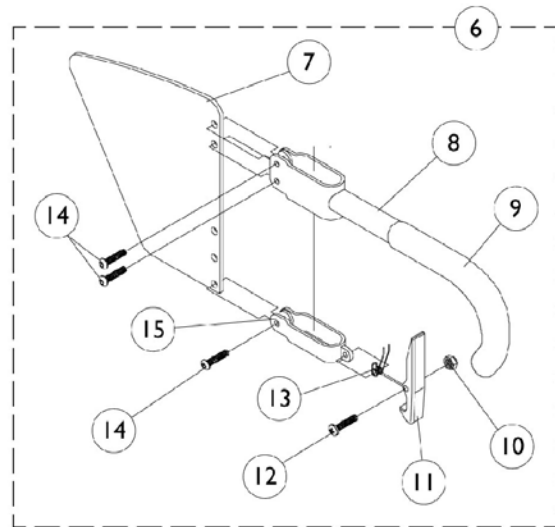
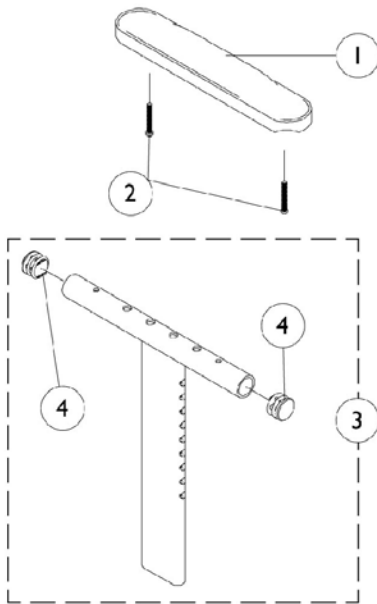


Orbit Seat Option Seat Frame Assembly

Item Number	Note	Part Number	Description	Quantity Per	
				Package	Assembly
1		1059265	Back Cane Fixed Height Straight w/o Grip or Plug Button	1	2
2		1059271	Tip, Plastic, Black	1	2
3		1058545	Lever, Actuator	1	2
4		40157X020	Spacer, Coved (1/4 x 1 x 9/16")	1	12
5		7930345	Locknut (1/4-28)	25	2
6		1011511	Spring, Compression (1")	1	2
7		1058232	Plug, Latch	1	2
8		1026907	Washer (1/4 x 1/2 x 1/16")	1	8
9		1058329	Crossmember 10" Wide	1	2
9		1058330	Crossmember 11" Wide	1	2
9		1058331	Crossbrace -12" Wide	1	2
9		1058332	Crossbrace -13" Wide	1	2
9		1058333	Crossbrace -14" Wide	1	2
9		1058334	Crossbrace -15" Wide	1	2
9		1058335	Crossbrace -16" Wide	1	2
10		1082508	Seat Rail -Right (Black)	1	1
10		1082509	Seat Rail -Left	1	1
11		1074640	Screw, Allen Head (1/4-28 x 1-1/4")	1	2
12		7930334	Locknut (1/4-28)	25	2
13		1052957	Screw, Hex Head (1/4-20 x 2")	1	2
14		1086389	Support Tube, Front Rigging -Right	1	1
14		1086390	Support Tube, Front Rigging -Left	1	1
15		1054571	Kit, Sector Block - Right	1	1
15		1054572	Kit, Sector Block - Left	1	1
16		1073711	Seat Plate, Upper	1	1
17		1055310	Screw, Hex Head (1/4-28 x 1-1/4")	1	4
18		1071982	L-Bracket	1	4
19		1074191	Screw, Socket Countersunk Head (1/4-28 x 1/2")	1	4
20		1055348	Screw, Hex Head (1/4-28 x 1-3/4")	1	4
21		1059127	Pin, Locking	1	2
22		7930341	Package, Screw, Hex Head (1/4-28 x 2")	25	6
23		1027095	Plug Button, Black (7/8")	1	2
24		1045495	Screw, Socket Head (1/4-20 x 1/4")	1	2
25		1042506	Bar, Spreader, Black (10" Wide)	1	1
25		1042507	Bar, Spreader, Black (11" Wide)	1	1
25		1042508	Bar, Spreader, Black (12" Wide)	1	1
25		1042509	Bar, Spreader, Black (13" Wide)	1	1
25		1042510	Bar, Spreader, Black (14" Wide)	1	1
25		1042511	Bar, Spreader, Black (15" Wide)	1	1
25		1042512	Bar, Spreader, Black (16" Wide)	1	1

Orbit Seat Option Seat Frame Assembly

Orbit Seat Option "T" Arm and Hardware



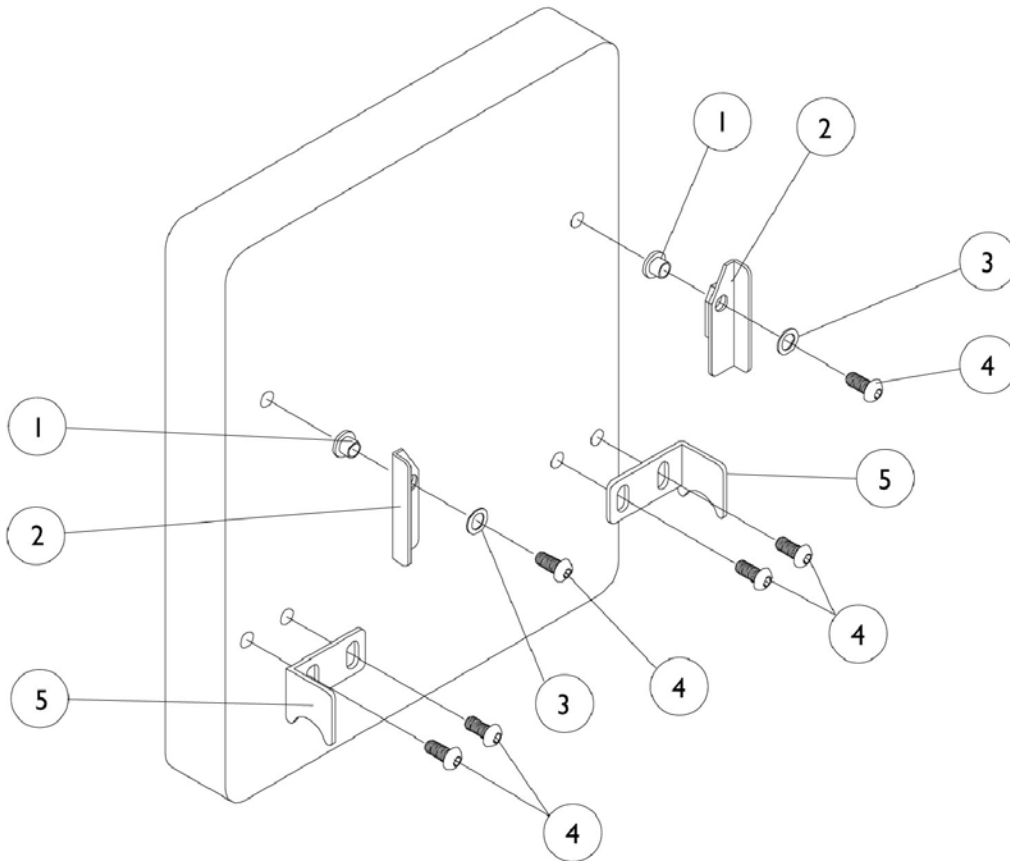
NOTE: All orbit seats that are mounted to a power tiger base will have item 19 assembled upside down to prevent wheellock interference.

Orbit Seat Option "T" Arm and Hardware

Item Number	Note	Part Number	Description	Quantity Per	
				Package	Assembly
1	B	8881083213	Arm Pad, Desk Length, Right (9" L x 2" W)	1	1
1	B	8881083214	Arm Pad, Desk Length, Left (9" L x 2" W)	1	1
1	B	8881083215	Arm Pad, Full Length, Right (14" L x 2" W)	1	1
1	B	8881083216	Arm Pad, Full Length, Left (14" L x 2" W)	1	1
2		1055205	Package, Screws Phillips Pan Head (#10-32 x 1-3/8")	2	1
3		1069639	"T" Arm w/ Plug Buttons, Desk Length - Low Range	1	1
3		1069643	"T" Arm w/ Plug Buttons, Full Length - Low Range	1	1
4		1027095	Plug Button, Black (7/8")	1	2
5		1069635	Arm Post, Low Range	1	1
6	D	1073424	Kit, Clothing Guard, Low Range - Right	1	1
6	D	1073425	Kit, Clothing Guard, Low Range - Left	1	1
7		1069652	Clothing Guard, Low Range	1	1
8		1069650	Support Tube, High Range - Right	1	1
8		1073246	Support Tube, High Range - Left	1	1
9		1006229	Grip, Foam (8")	1	1
10		1025731	Locknut (#10-32)	1	1
11		1073235	Lock Lever	1	1
12		7930328	Screw, Phillips Pan Head (#10-32 x 11/16")	25	1
13		1073196	Spring, Torsion	1	1
14		1006773	Screw, Socket Head (1/4-20 x 1/2")	1	3
15		1073190	Clamp, Skirt Guard	1	1
16	C	1069632	Kit, Arm Post Attaching Hardware, Bolt On	1	1
17	A	1085111	Hex Nut (1/4-28)	1	2
18	A	1026907	Washer (1/4 x 1/2 x 1/16")	1	2
19		1069629	Bracket, T-Arm Socket (Threaded)	1	1
20	A	1055348	Screw, Hex Head (1/4-28 x 1-3/4")	1	2
21		1069609	Insert, Arm Socket	1	2
22		1055305	Screw, Socket Button Head (1/4-28 x 3/4")	1	4
23		1026108	Lockwasher (1/4 x 15/32 x 1/64")	1	4
24		1069620	Bracket, Socket	1	1

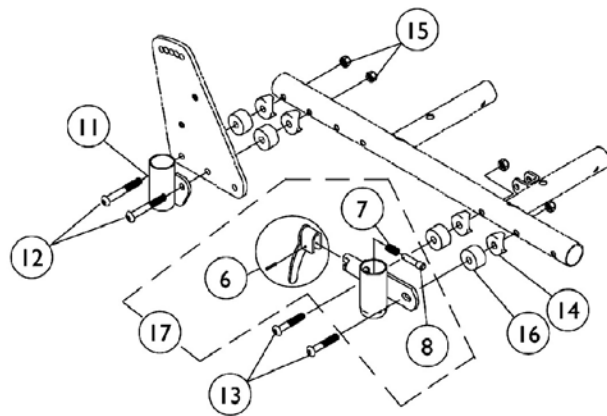
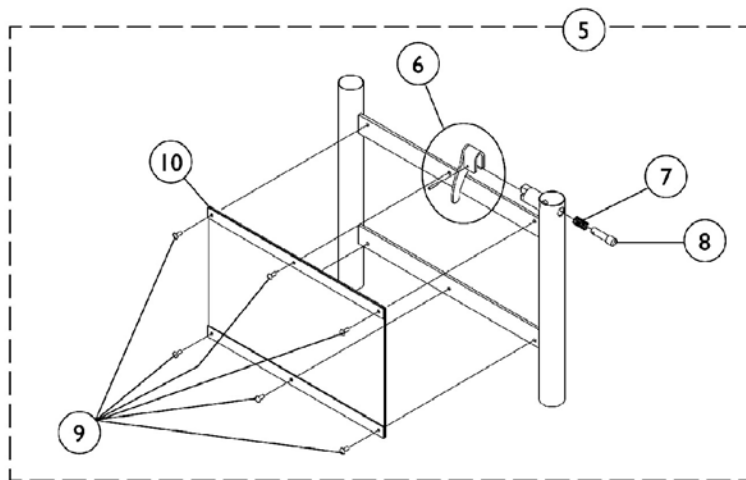
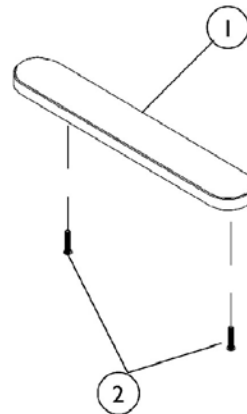
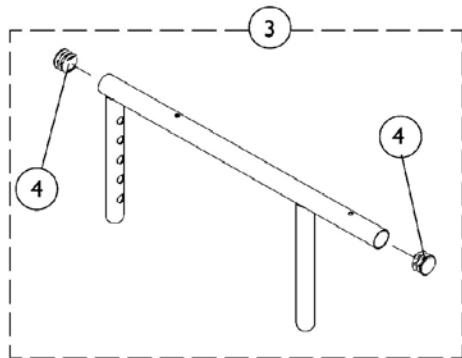
NOTE: A - Items 17, 18 and 20 must be ordered together for chairs manufactured before 8/13/99 due to a change in hardware.
B - Specify U67 upholstery color when ordering.
C - Includes items 17-24
D - Includes items 7-15

Solid Back Mounting Hardware



Item Number	Note	Part Number	Description	Quantity Per	
				Package	Assembly
1		1026039-NLA	Bushing, Pivot	1	2
2		1024573	Lock Lever, Right	1	1
2		1024574	Lock Lever, Left	1	1
3		1026040	Washer, Spring (5/16 x 1/2 x 1/16")	1	2
4		1025342	Screw, Button Head (1/4-20 x 5/8")	1	6
5		1025332	Mount, Lower Back, Right	1	1
5		1025333	Mount, Lower Back, Left	1	1

Adjustable Height Arms

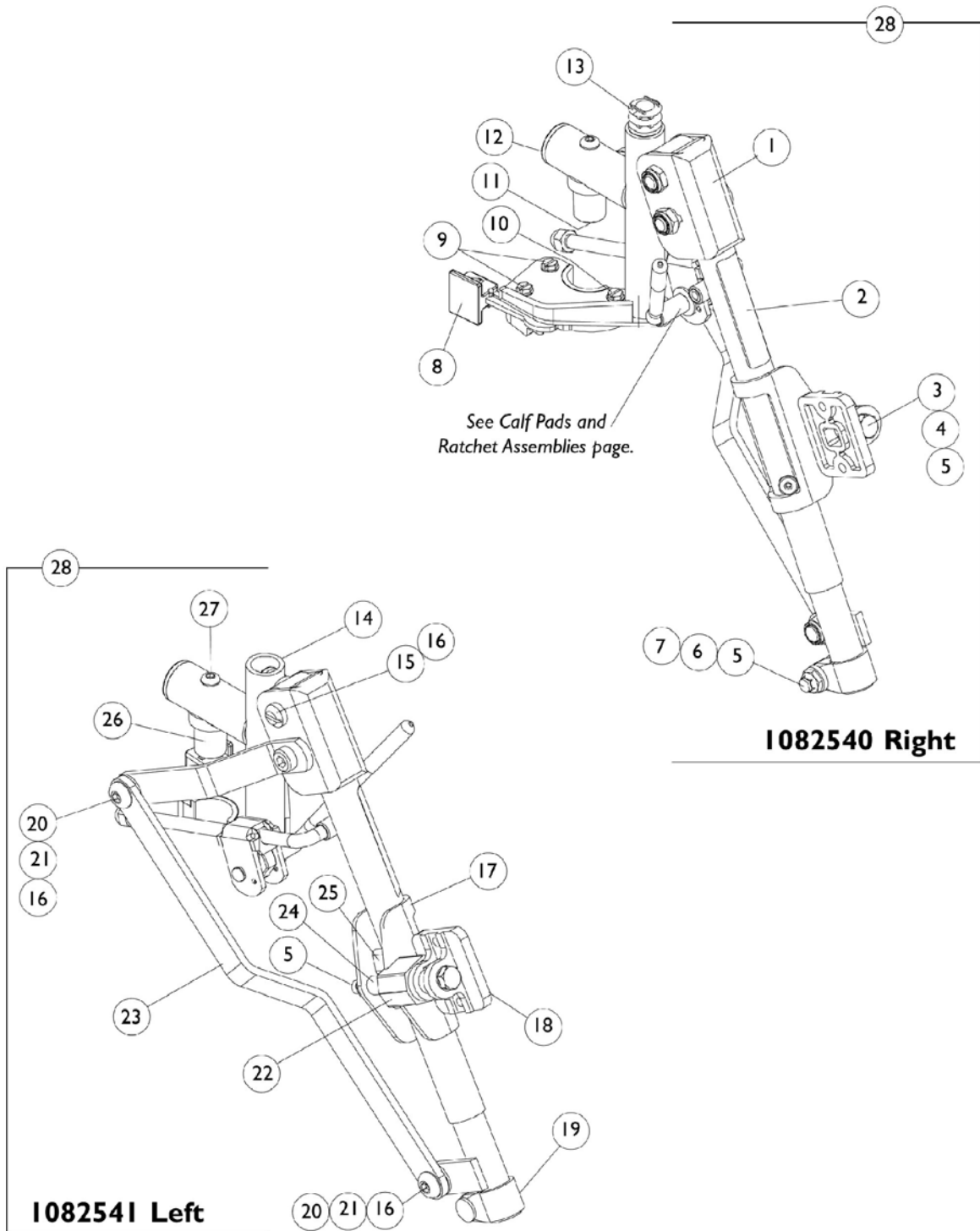


Adjustable Height Arms

Item Number	Note	Part Number	Description	Quantity Per	
				Package	Assembly
1	A	8881011811	Arm Pad, Vinyl, Desk Length (9" L x 2" W)	1	1
1	A	8881015932	Arm Pad, Vinyl, Full Length (14" L x 2" W) - Right	1	1
1	A	8881015933	Arm Pad, Vinyl, Full Length (14" L x 2" W) - Left	1	1
2		7930327	Screw, Phillips Pan Head (#10-32 x 1-1/8")	25	2
3		1070859	Arm Tube, Upper with Plug Buttons (Black) - Desk Length	1	1
3		1041524	Arm Tube w/ Plug Buttons, Full Length	1	1
4		1027095	Plug Button, Black (7/8")	1	2
5	B	1035892	Adjustable Height Arm Base Assembly - Right	1	1
6			Base, Adjustable Height Arm	1	1
6			Spring, Arm Lock	1	1
7			Pin, Arm Lock	1	1
8			Rivet	1	6
9			Clothing Guard	1	1
10			Kit, Lock Handle w/Rivets (both LT & RT side)	1	1
5	B	1035893	Adjustable Height Arm Base Assembly - Left	1	1
6			Base, Adjustable Height Arm	1	1
6			Spring, Arm Lock	1	1
7			Pin, Arm Lock	1	1
8			Rivet	1	6
9			Clothing Guard	1	1
10			Kit, Lock Handle w/Rivets (both LT & RT side)	1	1
11		1036837	Socket, Rear Arm	1	1
12	C	7930301	Package, Button Head Cap Screws (1/4-20 x 1-3/4")	25	2
12	D	1036840	Screw, Socket Button Head (1/4-20X2-1/4")	1	2
13	C	1008495	Screw, Socket Button Head (1/4-20 x 1-1/2")	1	2
13	D	1002108	Screw, Socket Button Head (1/4-20 x 2")	1	2
14		40157X020	Spacer, Coved (1/4 x 1 x 9/16")	1	4
15		7930323	Package, Locknut (1/4-20)	25	4
16		1036040	Spacer (9/32 x 7/8 x 1/2")	1	4
17		1038401-NLA	Arm Socket with Lock Handle, Front -Right	1	1
17		1038402-NLA	Arm Socket with Lock Handle, Front -Left	1	1

NOTE: A - Specify upholstery color, U67 black vinyl, when ordering
 B - Stainless steel clothing guards were replaced with ABS plastic. Chairs manufactured before 7/30/97 should be ordered in pairs to match.
 C - All Chair Widths Except 14"
 D - For 14" Wide Chairs Only.

ATL4A Legrest Support Assembly

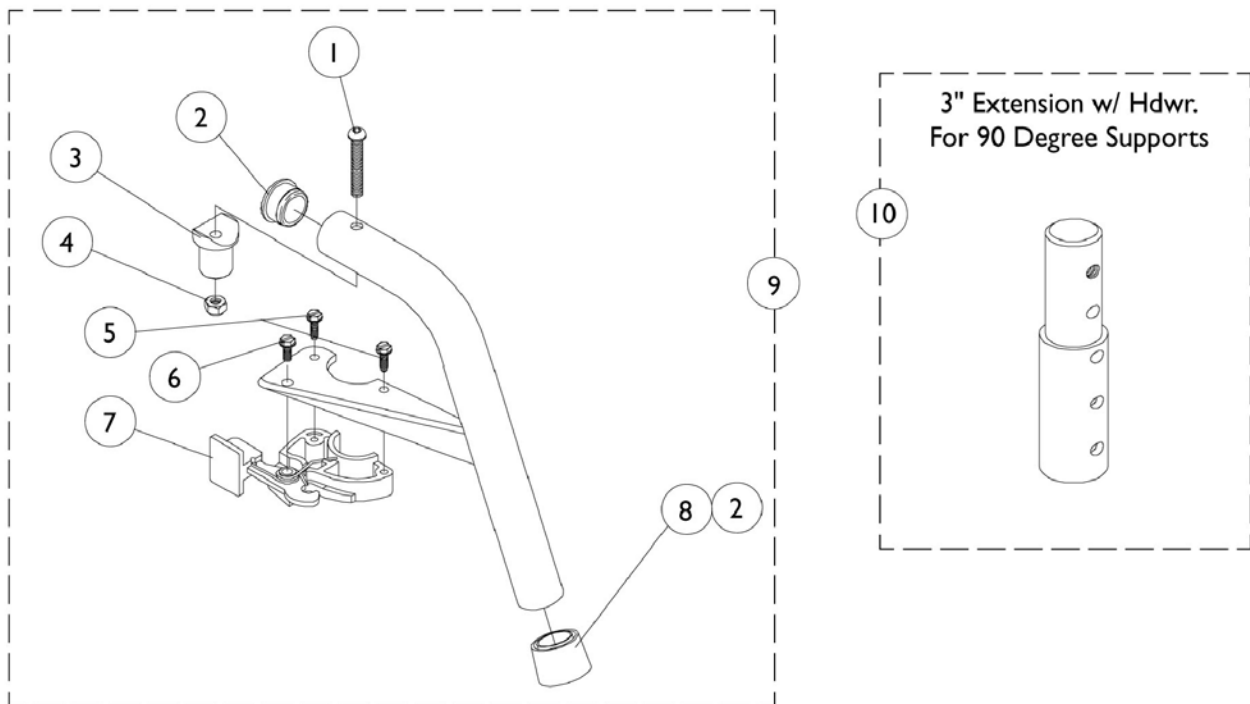


ATL4A Legrest Support Assembly

Item Number	Note	Part Number	Description	Quantity Per	
				Package	Assembly
1		1022877	Tube Support and Drive Link - Right	1	1
1		1022878	Tube Support and Drive Link - Left	1	1
2		1024911	Decal, Smartleg	1	1
3		1014807	Screw, Hex Head (5/16-24 x 3-1/4")	1	1
4		47330X003	Spacer (5/16 x 1/2 x 3/8")	1	1
5		7930363	Package, Locknut (5/16"-24)	25	2
6		1027377	Washer (#20)	1	1
7		11232X009	Screw, Lug (5/16-24 x 1-3/8")	1	1
8		1025454	Latch Housing - Right	1	1
8		1025455	Latch Housing - Left	1	1
9		1025451	Screw, Slotted Hex Washer Head (#10-32 x 5/8")	1	2
10		7930314	Screw, Slotted Hex Head (#10-32 x 1/2")	25	1
11		7930333	Locknut (1/4-20)	1	1
12		1029501	Plug Button, Black (1")	1	1
13		1027097	Plug Button, Black (3/4")	1	1
14		1082538	Articulating Legrest Support - Right	1	1
14		1082539	Articulating Legrest Support - Left	1	1
15		1022854	Screw, Slotted Head Shoulder (1/2 x 1-1/8")	1	1
16		40363X000	Hex Nut (3/8"-16)	1	3
17	B	1025104	Bracket, Legrest (Chrome)	1	1
18		04526X019	Plate, Legrest Pad	1	1
19		1022848	Slide Tube, Articulating (Chrome) - Right	1	1
19		1022849	Slide Tube, Articulating (Chrome) - Left	1	1
20		1022866	Screw, Socket Button Head (3/8-16 x 3/4")	1	2
21		1049527	Washer, Nylon (3/8 x 3/4 x 1/16")	1	2
22		1025133	Spacer, Legrest Pad	1	1
23		1022846	Bar, Link, Chrome	1	1
24		47328X003	Bushing, Pivot (5/16 x 7/16 x 7/8")	1	1
25		48823X008	Spring, Leaf	1	1
26		1017148	Plug, Pivot	1	1
27		7930301	Package, Button Head Cap Screws (1/4-20 x 1-3/4")	25	1
28	A	1082540	Articulating Legrest Support Assembly - Right	1	1
28	A	1082541	Articulating Legrest Support Assembly - Left	1	1

NOTE: A - Includes items 1-27
B - Right/Left

Swingaway Footrest Support Assemblies

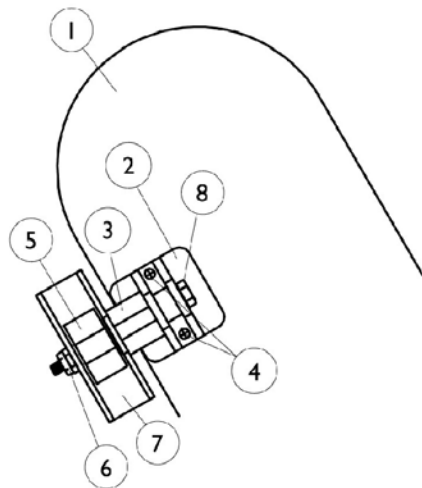


Swingaway Footrest Support Assemblies

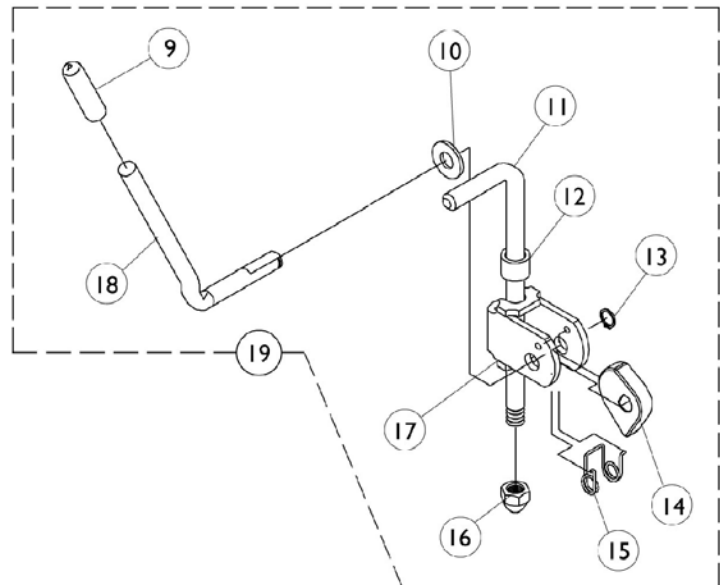
Item Number	Note	Part Number	Description	Quantity Per	
				Package	Assembly
1		7930321	Screw, Socket Button Head (1/4-20 x 1-7/8")	25	1
2		1029501	Plug Button, Black (1")	1	1
3		1017148	Plug, Pivot	1	1
4		7930333	Locknut (1/4-20)	25	1
5		1025451	Screw, Slotted Hex Washer Head (#10-32 x 5/8")	1	2
6		7930314	Screw, Slotted Hex Head (#10-32 x 1/2")	25	1
7		1025454	Latch Housing - Right	1	1
7		1025455	Latch Housing - Left	1	1
8	E	1026124	Anti-Rattle Collar	1	1
9	A	8881026992	Footrest Support Assembly, 60°, Sector, Color - Right	1	1
9	A	8881026993	Footrest Support Assembly, 60°, Sector, Color - Left	1	1
9	A	8881026998	Footrest Support Assembly, 60° MFX, Sector, Color - Right	1	1
9	A	8881026999	Footrest Support Assembly, 60° MFX, Sector, Color - Left	1	1
9	A	8881026994	Footrest Support Assembly, 70° Non-Tapered, Sector, Color - Right	1	1
9	A	8881026995	Footrest Support Assembly, 70° Non-Tapered, Sector, Color - Left	1	1
9	A	8881062596	Footrest Support Assembly, 90°, Sector, Color - Right	1	1
9	A	8881062597	Footrest Support Assembly, 90°, Sector, Color - Left	1	1
10	A	8881038231	Kit, 3" Extension w/ Hardware (Pair)	2	1
	B,C	1045267	Screw, Hex Head (1/4-20 x 3/4")	1	1
	B,C	1026099	Spacer, Coved (1/4 x 11/16 x 1/2")	1	1
	B,C	1020534	Insert, Threaded	1	1
	B,C,D	1026703	Kit, Pivot/Slide Tube Mounting Hardware (Pair)	2	1

NOTE: A - Specify frame color when ordering
 B - Attaching hardware for pivot slide tube
 C - Not Shown.
 D - Pair
 E - Used on 60 and 70 Degree

Calf Pads and Ratchet Assemblies



ATL4A
Articulating Legrest



Calf Pads and Ratchet Assemblies

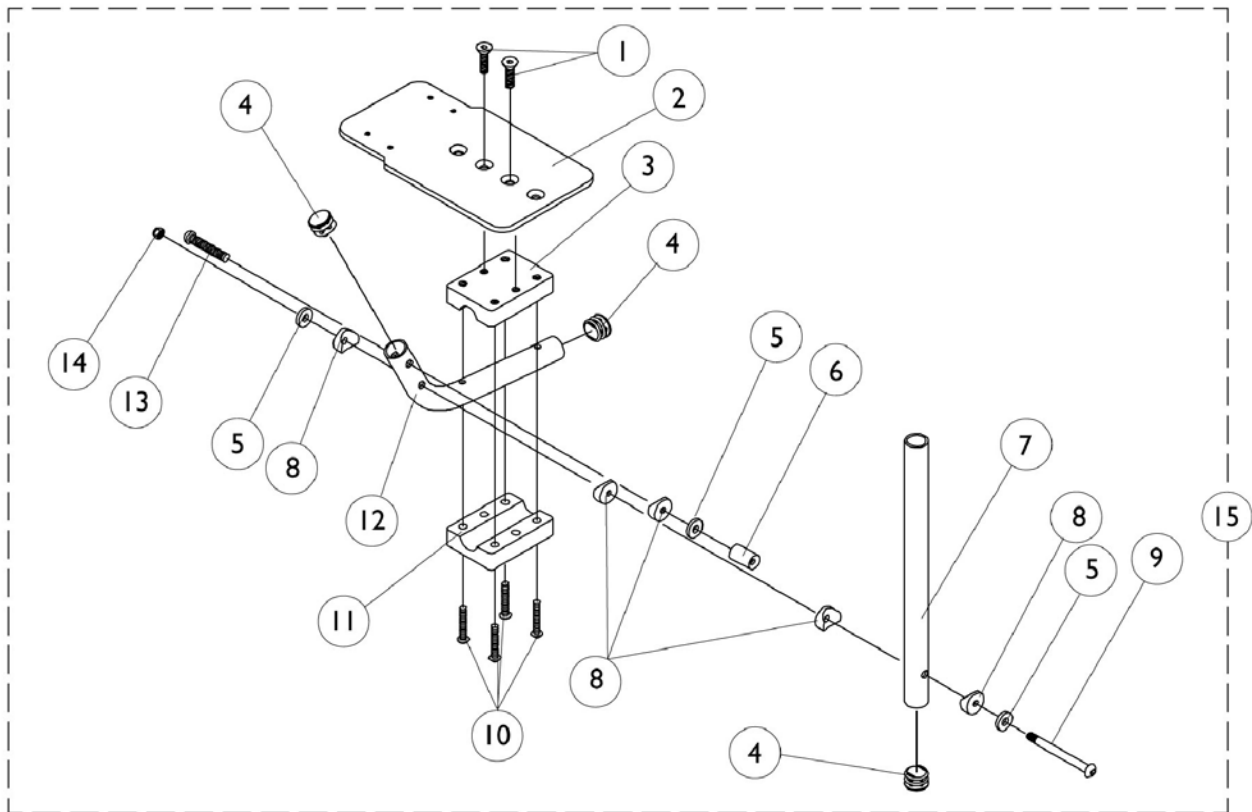
Item Number	Note	Part Number	Description	Quantity Per	
				Package	Assembly
1	A,B,D	8881091759	Pad w/Cover and Screws, Legrest Vinyl (Pair)	2	1
1	A,C,D	8881091764	Pad, Legrest Vinyl - Right/Left	1	1
1		01415X000-NLA	Cover, Legrest Pad	1	1
2		04526X019	Plate, Legrest Pad	1	1
3		1025133	Spacer, Legrest Pad	1	1
4		1066591	Screws, Phillips Head (#10-32 x 11/16")	1	2
5		48823X008	Spring, Leaf	1	1
6		7930363	Package, Locknut (5/16"-24)	25	2
7		1025104	Bracket, Legrest (Chrome)	1	1
8		1014807	Screw, Hex Head (5/16-24 x 3-1/4")	1	1
9		1040060	Tip, Black Plastic	1	1
10		7930310	Washer, Nylon (5/16 x 11/16 x 1/16")	25	1
11		42326X004	Bar, Ratchet - Right/Left	1	1
12		47328X003	Bushing, Pivot (5/16 x 7/16 x 7/8")	1	1
13		1040831	Snap Ring	1	1
14		1037125	Cam, Legrest	1	1
15		1037485	Spring, Release	1	1
16		7930336	Nut, Acorn (5/16-24)	25	1
17		04528X002	Bracket, Release (Chrome)	1	1
18		1037126	Handle, Release	1	1
19		1046329	Kit, Elevating Legrest Ratchet Hardware	2	1

NOTE: A - Specify upholstery color when ordering.
 B - Before 9/5/00 (pair)
 C - After 9/4/00 (single)
 D - 16" Wide

AT5543 Adjustable Angle Footplates

60deg and 70deg Swingaway Supports - Before 3/1/95

NOTE: Heel loops are not included. See footrest and legrest accessories.



AT5543 Adjustable Angle Footplates

60deg and 70deg Swingaway Supports - Before 3/1/95

NOTE: Heel loops are not included. See footrest and legrest accessories.

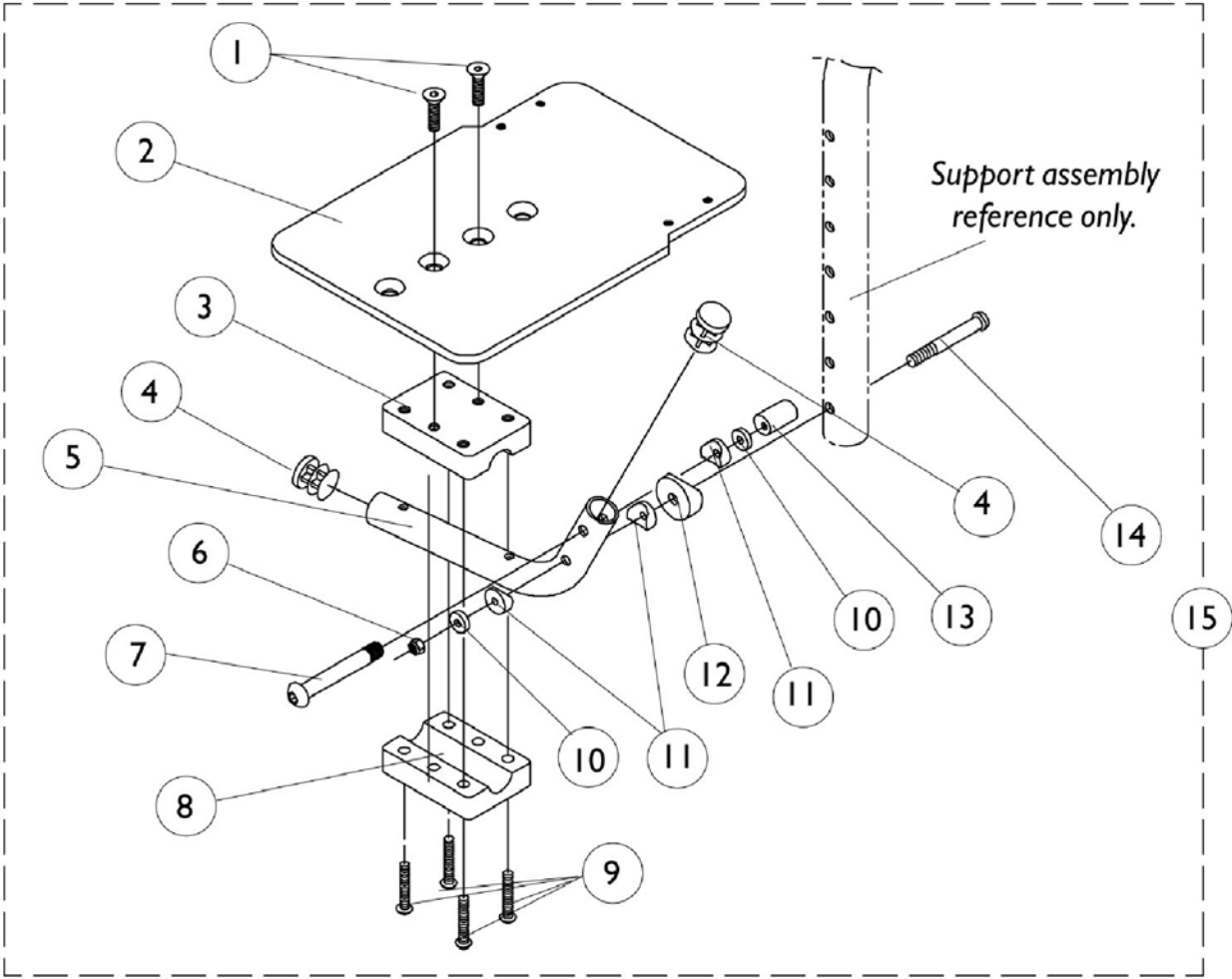
Item Number	Note	Part Number	Description	Quantity Per	
				Package	Assembly
1		1029545	Screw, Socket Head Cap (1/4-20 x 3/4")	1	2
2	A	1043344	Footplate, Wrinkle Coat	1	1
2	B	1044080	Footplate, Wrinkle Coat	1	1
3		1027626	Half Clamp, Threaded	1	1
4		1027097	Plug Button, Black (3/4")	1	3
5		1018739	Washer (1/4 x 5/8 x 3/32")	1	2
6		1028417	Cam, Adjustment	1	1
7		1120384-NLA	Pivot Slide Tube, Straight - Alum. (9-7/8" Long)	1	1
8		1025457	Spacer, Coved (1/4 x 3/4 x 11/32")	1	4
9		1030952	Screw, Shoulder (1/4-24 x 2")	1	1
10		1009837	Screw, Socket Button Head (1/4-20 x 1")	1	4
11		1027627	Half Clamp, Non-Threaded	1	1
12		1029428	Tube, Footrest	1	1
13		1008495	Screw, Socket Button Head (1/4-20 x 1-1/2")	1	1
14		7930333	Locknut (1/4-20)	25	1
15	A,C	1043192-NLA	Hardware, Footplate Assembly, Right	1	1
15	A,C	1043193-NLA	Hardware, Footplate Assembly, Left	1	1
15	B,C	1043195-NLA	Hardware, Footplate Assembly, Right	1	1
15	B,C	1043196-NLA	Hardware, Footplate Assembly, Left	1	1
NOTE: A - 12"-14" Wide B - 15"-16" Wide C - For complete adjustable angle footplates see "AT5543 Adjustable Angle Footplates - After 2/28/95" page.					

AT5543 Adjustable Angle Footplates

70deg MFX AND 90 deg Swingaway Supports

Before 3/1/95

Note: Heel loops are not included. See footrest and legrest accessories.



AT5543 Adjustable Angle Footplates

70deg MFX AND 90 deg Swingaway Supports

Before 3/1/95

Note: Heel loops are not included. See footrest and legrest accessories.

Item Number	Note	Part Number	Description	Quantity Per	
				Package	Assembly
1		1029545	Screw, Socket Head Cap (1/4-20 x 3/4")	1	2
2	A	1043344	Footplate, Wrinkle Coat	1	1
2	B	1044080	Footplate, Wrinkle Coat	1	1
3		1027626	Half Clamp, Threaded	1	1
4		1027097	Plug Button, Black (3/4")	1	2
5		1029428	Tube, Footrest	1	1
6		7930333	Locknut (1/4-20)	25	1
7		1023967	Screw, Socket Button Head (1/4-20 x 2-5/8")	1	1
8		1027627	Half Clamp, Non-Threaded	1	1
9		1009837	Screw, Socket Button Head (1/4-20 x 1")	1	4
10		1018739	Washer (1/4 x 5/8 x 3/32")	1	2
11		1025457	Spacer, Coved (1/4 x 3/4 x 11/32")	1	3
12		40157X020	Spacer, Coved (1/4 x 1 x 9/16")	1	1
13		1028417	Cam, Adjustment	1	1
14		1008495	Screw, Socket Button Head (1/4-20 x 1-1/2")	1	1
15	A	1029449-NLA	Footplate Assembly w/ Hardware, Right	1	1
15	B	1029450-NLA	Footplate Assembly w/ Hardware, Left	1	1
15	A	1037294-NLA	Footplate Assembly w/ Hardware, Right	1	1
15	B	1037295-NLA	Footplate Assembly w/ Hardware, Left	1	1

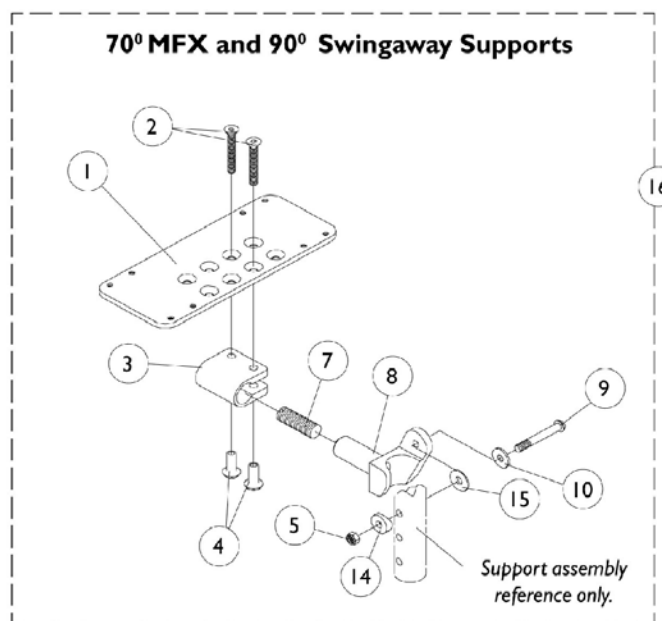
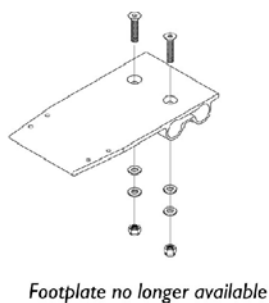
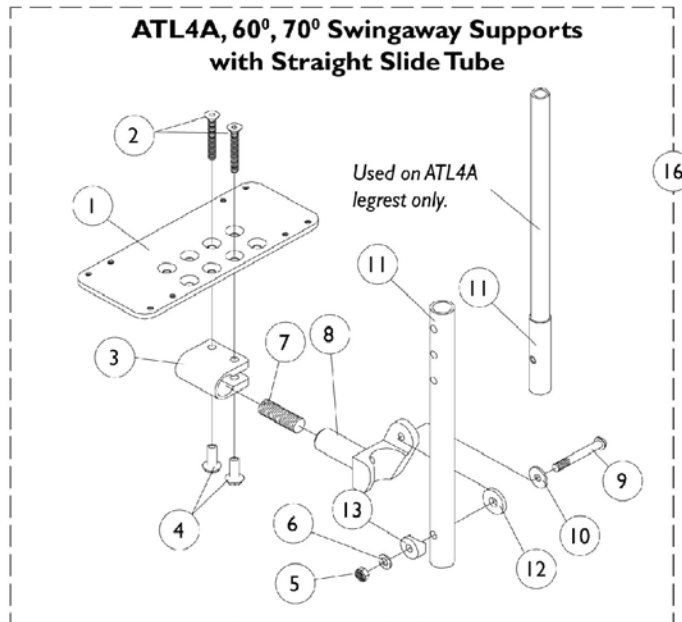
NOTE: A - 12"-14" Wide
B - 15"-16" Wide

AT5543 Adjustable Angle Footplates

ATL4A, 60deg, 70deg, 70deg MFX & 90deg Swingaway Supports

After 2/28/95

NOTE: Heel loops are not included. See footrest and legrest accessories.



AT5543 Adjustable Angle Footplates

ATL4A, 60deg, 70deg, 70deg MFX & 90deg Swingaway Supports

After 2/28/95

NOTE: Heel loops are not included. See footrest and legrest accessories.

Item Number	Note	Part Number	Description	Quantity Per	
				Package	Assembly
1	B	1060425	Footplate, Adjustable Angle - Small (3-1/4" Wide x 8" Long)	1	1
1	C	1060426	Footplate, Adjustable Angle - Medium (4-1/4" W x 8" L)	1	1
1	D	1060427	Footplate, Adjustable Angle - Large (5-1/4" W x 8" L)	1	1
2	A	1029545	Screw, Socket Head Cap (1/4-20 x 3/4")	1	2
3	A	1058517	Clamp, Footplate	1	1
4	A	1082686	Nut, Hex Head (1/4-20 x 11/16")	1	2
5		7930333	Locknut (1/4-20)	25	1
6		1026907	Washer (1/4 x 1/2 x 1/16")	1	1
7		1048816	Screw, Nylon Adjustment (1/2-13 x 7/8")	1	1
8		1052102	Hinge, Footplate - Right	1	1
8		1052103	Hinge, Footplate - Left	1	1
9		7930321	Screw, Socket Button Head (1/4-20 x 1-7/8")	25	1
10		1026900	Washer (1/4 x 23/32 x 1/16")	1	1
11		1057855	Pivot/Slide Tube, Straight (9-7/8" Long - Steel)	1	1
11		1057856	Pivot/Slide Tube, Straight (11-7/8" Long - Steel)	1	1
11		1091745	Pivot/Slide Tube, Straight (13-7/8" Long - Steel)	1	1
12		7930313	Washer, Nylon (5/16 x 7/8 x 1/8")	25	1
13		1025457	Spacer, Coved (1/4 x 3/4 x 11/32")	1	1
14		1026099	Spacer, Coved (1/4 x 11/16 x 1/2")	1	1
15		1036435	Washer, Nylon (1/4 x 7/8 x 1/32")	1	1
16		See Chart	#16 Pivot Slide Tube with Footplate Assemblies	1	1

NOTE: A - Items 2, 3 and 4 must be ordered together for chairs manufactured before 8/10/99 due to a hardware change.
 B - For 10-11" wide chairs
 C - For 12-13" wide chairs
 D - For 14-16" wide chairs

AT5543 Adjustable Angle Footplates

ATL4A, 60deg, 70deg, 70deg MFX & 90deg Swingaway Supports After 2/28/95

NOTE: Heel loops are not included. See footrest and legrest accessories.

#16 Pivot Slide Tube with Footplate Assemblies

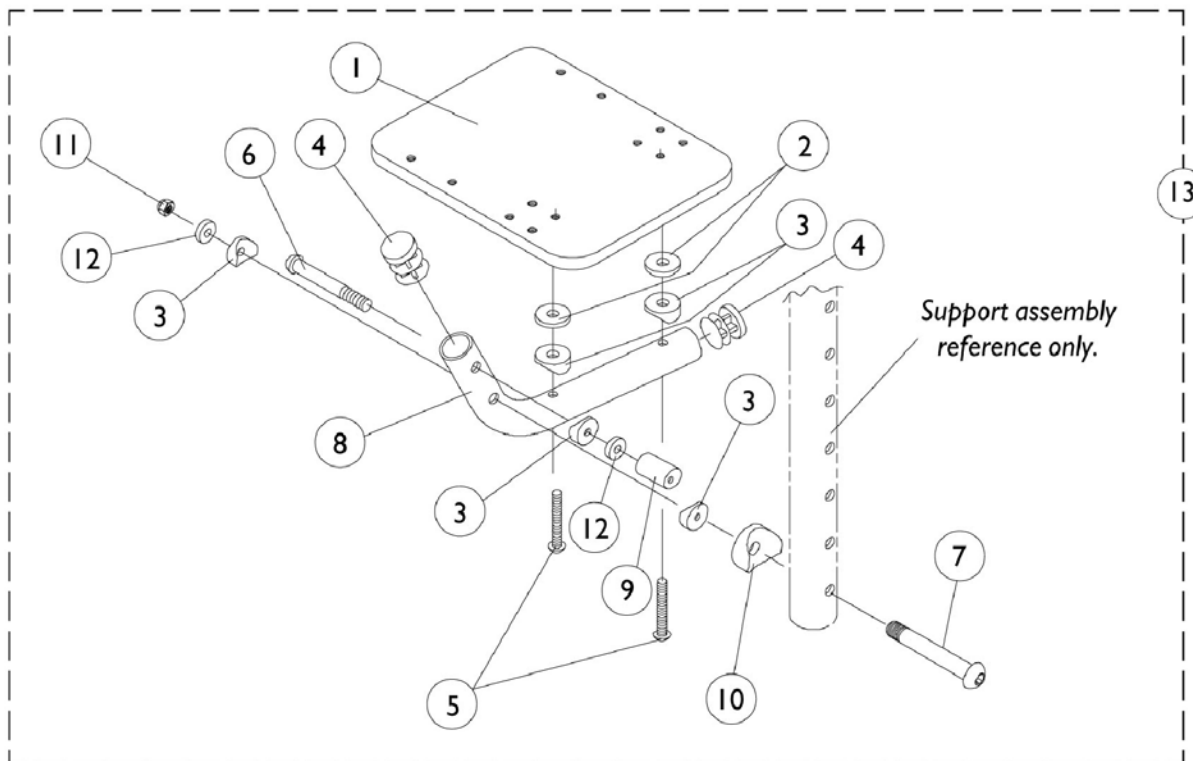
NOTE: Heel loops are not included. See footrest and legrest accessories.

Rigging Type	Side	10-11" W 3-1/4" Small Footplate	12-13" W 4-1/4" Medium Footplate	14-16" W 5-1/4" Large Footplate
90, 70 Degree MFX	Right	1060434	1060436	1060438
	Left	1060435	1060437	1060439
60, 70 Degree Swingaway	Right	1060428	1060430	1060432
	Left	1060429	1060431	1060433
60, 70 Degree Swingaway with 2" Longer Slide Tube	Right	1060440	1060442	1060444
	Left	1060441	1060443	1060445
ATL4A Swingaway	Right	N/A	N/A	1091775 See Note(s) A
	Left	N/A	N/A	1091776 See Note(s) A

NOTE: A - ALT4A Smart Legs are offered in 16 inch wide models only.

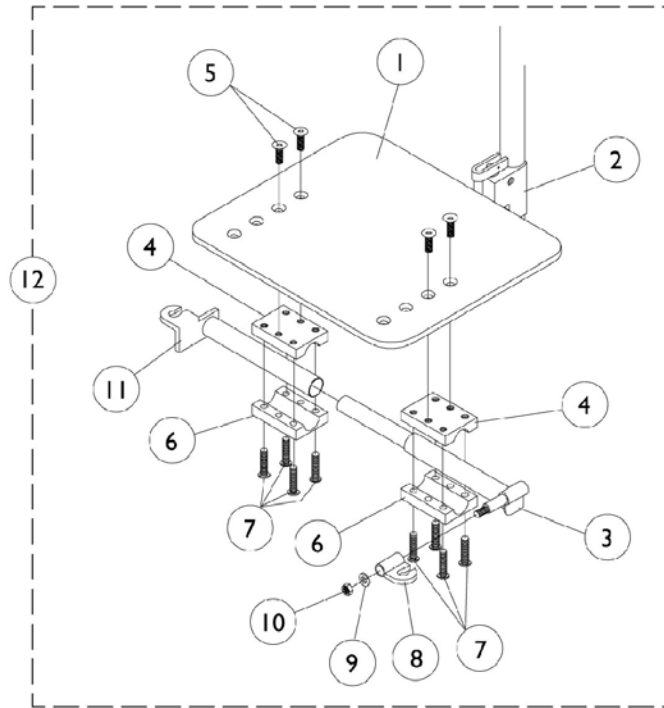
AT5043 Flip-Up Footplates 90deg Swingaway Supports

NOTE: Heel loops are not included. See footrest and legrest accessories.



Item Number	Note	Part Number	Description	Quantity Per	
				Package	Assembly
1		1044082	Footplate	1	1
2		1029454	Washer, Nylon (3/16 x 3/4 x 5/32")	1	2
3		1025457	Spacer, Coved (1/4 x 3/4 x 11/32")	1	5
4		1027097	Plug Button, Black (3/4")	1	2
5		1029464	Screw, Socket Button Head (#10-32 x 1-1/4")	1	2
6		1008495	Screw, Socket Button Head (1/4-20 x 1-1/2")	1	1
7		1023967	Screw, Socket Button Head (1/4-20 x 2-5/8")	1	1
8		1029428	Tube, Footrest	1	1
9		1028417	Cam, Adjustment	1	1
10		40157X020	Spacer, Coved (1/4 x 1 x 9/16")	1	1
11		7930333	Locknut (1/4-20)	25	1
12		1018739	Washer (1/4 x 5/8 x 3/32")	1	2
13		1029434	Flip-Up Footplate Assembly -Right	1	1
13		1029435	Flip-Up Footplate Assembly -Left	1	1

One Piece Adjustable Angle Footboard



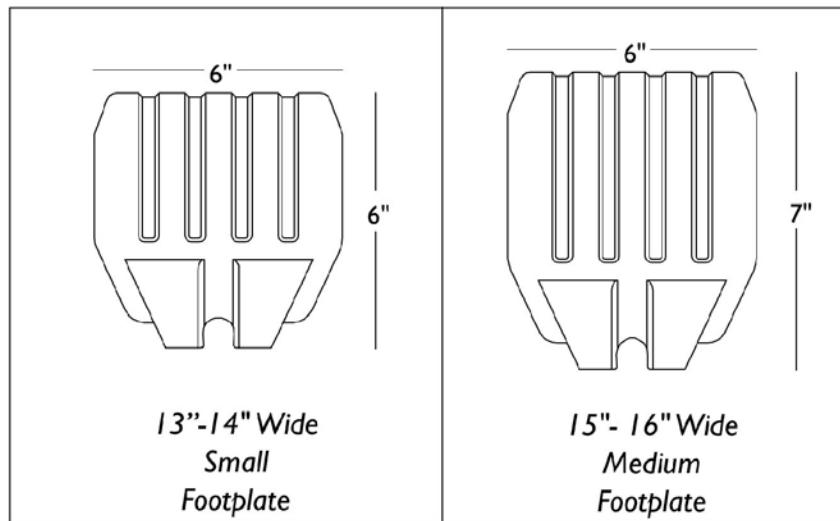
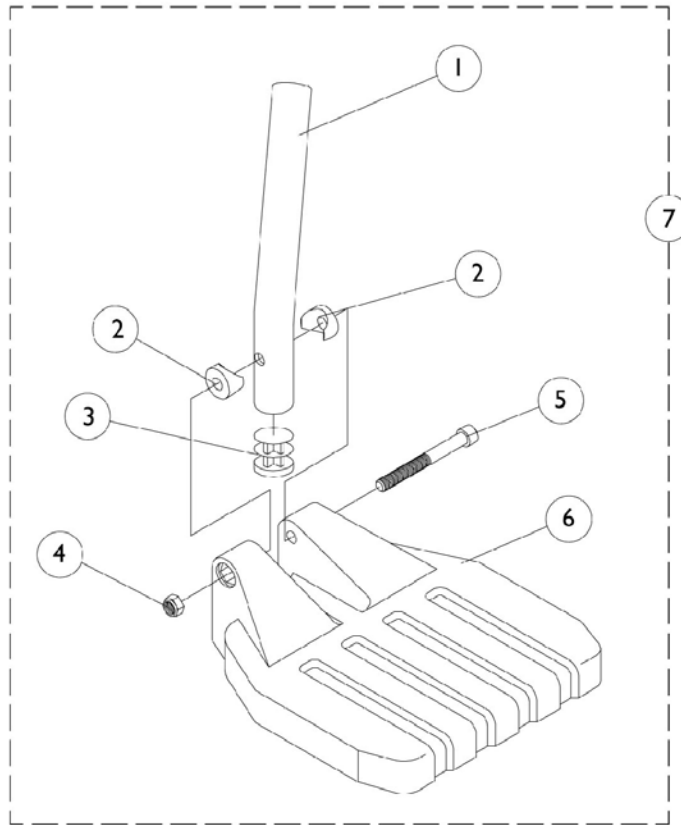
Item Number	Note	Part Number	Description	Quantity Per	
				Package	Assembly
1	A	1044076	Footboard	1	1
1	B	1044089	Footboard	1	1
2		1027657	Clamp, Footplate	1	2
3	A	1027676	Support, Footrest	1	1
3	B	1030271	Support, Footrest	1	1
4		1027626	Half Clamp, Threaded	1	2
5		1029545	Screw, Socket Head Cap (1/4-20 x 3/4")	1	4
6		1027627	Half Clamp, Non-Threaded	1	2
7		1009837	Screw, Socket Button Head (1/4-20 x 1")	1	8
8		1027630	Tab	1	1
9		1026033	Washer, Nylon (1/4 x 1/2 x 1/16")	1	1
10		7930323	Package, Locknut (1/4-20)	25	1
11	A	1027638	Support, Footrest	1	1
11	B	1030199	Support, Footrest	1	1
12	A	1027640	Footboard Assembly, One Piece Adjustable Angle	1	1
12	B	1030200	Footboard Assembly, One Piece Adjustable Angle	1	1

NOTE: A - 12-13" Wide Chairs
B - 14-16" Wide Chairs

Pivot/Slide Tube and Composite Footplates

NOTE: Heel loops are not included. See footrest and legrest accessories.

NOTE: Heel loops are not included. See footrest and legrest accessories.



Pivot/Slide Tube and Composite Footplates

NOTE: Heel loops are not included. See footrest and legrest accessories.

Item Number	Note	Part Number	Description	Quantity Per	
				Package	Assembly
1	C	1120383	Pivot Slide Tube, Curved End - Short (8-1/4" Long)	1	1
1	D	1120382	Pivot Slide Tube, Curved End - Long (9-7/8" Long)	1	1
1	D	1120386	Pivot Slide Tube, Curved - 2" Longer (11-7/8" Long)	1	1
1	E	1120384-NLA	Pivot Slide Tube, Straight - Alum. (9-7/8" Long)	1	1
1	E	1120385	Pivot Slide Tube, Straight - 2" Longer (11-7/8" Long)	1	1
2		1025457	Spacer, Coved (1/4 x 3/4 x 11/32")	1	2
3		1027097	Plug Button, Black (3/4")	1	1
4		7930323	Package, Locknut (1/4-20)	25	1
5		7930366	Screw, Socket Head Cap (1/4-20 x 2-1/4")	25	1
6	A	1026879	Footplate, Composite - Small (6" W x 6" L)	1	1
6	B	1026880	Footplate, Composite - Medium (7" W x 6" L)	1	1
7		See Chart	#7 Pivot/Slide Tube w/Composite Footplate Assemblies	1	1

NOTE: A - 13-14" Wide
 B - 15-16" Wide
 C - 60 Degree MFX
 D - 60 Degree
 E - 70 Degree NTaper

#7 Pivot/Slide Tube w/Composite Footplate Assemblies

(without Heel Loops)

Front Rigging	Small 13"-14" Wide	Medium 15"-16" Wide
60 Degree (13"-19") -Right	1028391	1028387
60 Degree (13"-19") -Left	1028392	1028388
60 Degree (13"-19") 2" Longer -Right	1032627	1032625
60 Degree (13"-19") 2" Longer -Left	1032628	1032626
60 Degree MFX (9-3/4" - 14") -Right	1028389	1028385
60 Degree MFX (9-3/4" - 14") -Left	1028390	1028386
70 Degree (14"-19") -Right	1042784	1042786
70 Degree (14"-19") -Left	1042785	1042787
70 Degree (14"-19") 2" Longer -Right	1042790	1042792
70 Degree (14"-19") 2" Longer -Left	1042791	1042793

Footrest and Legrest Accessories

Composite (1651) Footplate	Heel Loop Single #	Heel Loop Pair #	Heel Loop w/ Ankle Strap Right - Single #	Heel Loop w/ Ankle Strap Left - Single #	Heel Loop w/ Ankle Strap Pair #	Attaching Hardware Pair #
Small 13-14" Wide	1028412	1035912	1035908	1035909	1035906	1035931
Medium 15-16" Wide	1017621	1035917	1035919	1035920	1035918	1035931

Heel Loops and Hardware

Heel Loops and Hardware AT5543 Adj. Angle and AT5043 Flip-Up Footplates	Heel Loops w/Ankle Strap and Hardware AT5543 Adj. Angle and AT5043 Flip-Up Footplates
1038245	1038246
Consists of: 2 ea. Heel Loops 4 ea. Screw, Skt. Cap (10-32 x 1-1/2") 4 ea. Spacer (1/4 x 5/16 x 1-3/32") 4 ea. Washer (3/16 x 7/16 x 1/16")	Consists of: 2 ea. Heel Loop w/ Ankle Strap 4 ea. Screw, Skt. Cap (10-32 x 1-1/2") 4 ea. Spacer (1/4 x 5/16 x 1-3/32") 4 ea. Washer (3/16 x 7/16 x 1/16")

Heel Loop Attaching Hardware

1035931
Consists of: 2 ea. Screw, PPH (1/4-20 x 2-1/4") 2 ea. Spacer (1/4 x 11/32 x 1-3/4") 2 ea. Locknut (1/4-20)

Toe Loops

Toe Loops (1345)	Toe Loop Single #	Toe Loop Pair #
All Sizes	04572X025	1037087

Footrest and Legrest Accessories

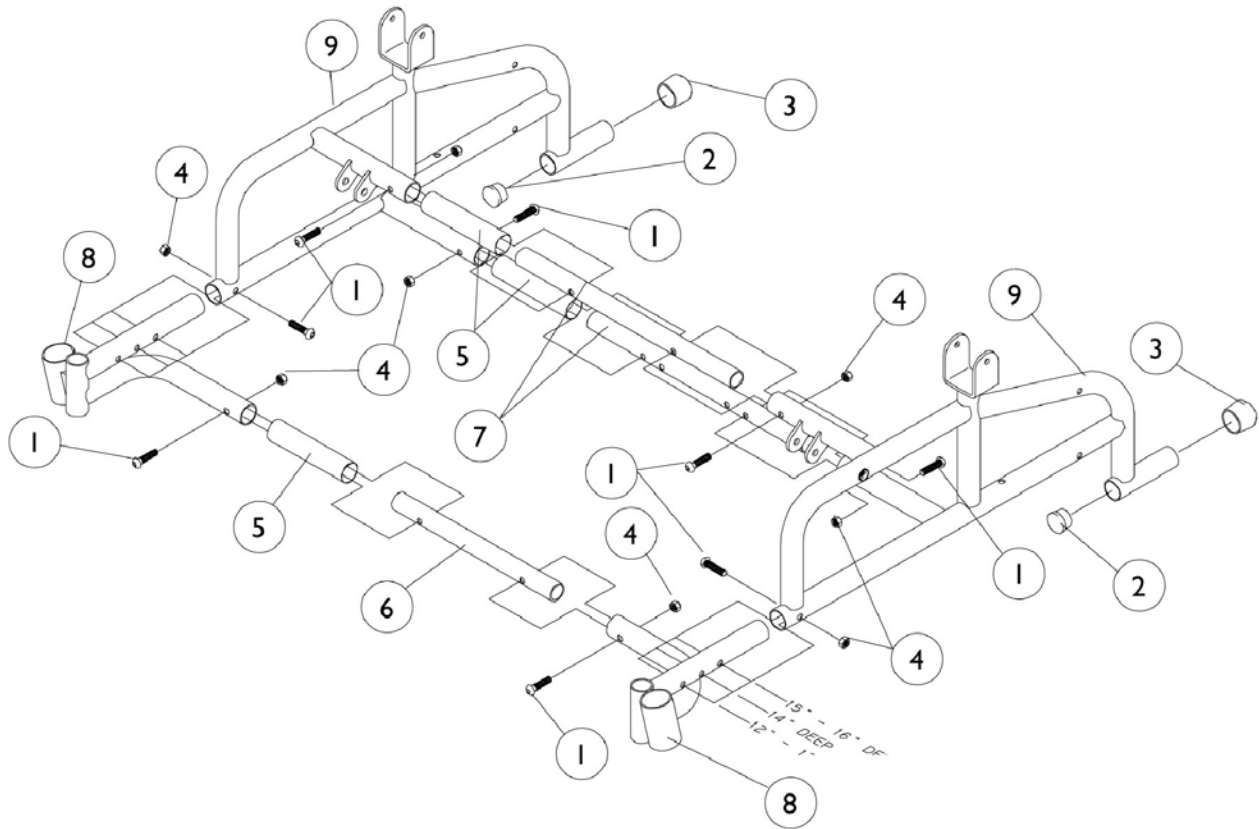
Attaching Hardware

1651 Footplates	AT5043 and AT5543 Footplates
1037089	1104749
Consists of: 4 ea. Screw, PPH (10-32 x 7/8") 4 ea. Washer (1/4 x 3/4" x 3/32") 4 ea. Locknut (10-32)	Consists of: 4 ea. Washer (1/4 x 3/4 x 3/32") 4 ea. Screw, PPH (10-32 x 1/2")

Item Number	Note	Part Number	Description	Quantity Per	
				Package	Assembly
	B	1027644	Calf Strap w/ Hook and Loop (26" Long)	1	1
	C	1032243	Calf Strap w/ Hook and Loop (36" Long)	1	1
	A	8881038231	Kit, 3" Extension w/ Hardware (Pair)	2	1
	D	See Chart	Footplate Type	1	1
	D	See Chart	Heel Loop Attaching Hardware	1	1
	D	See Chart	Heel Loops and Hardware	1	1
	D	See Chart	Toe Loop Attaching Hardware	1	1
	D	See Chart	Toe Loops	1	1

NOTE: A - Specify frame color when ordering.
 B - 10-14" Wide
 C - 14-16" Wide
 D - Not Shown

Side Frames and Hardware



Item Number	Note	Part Number	Description	Quantity Per	
				Package	Assembly
1		1008432	Screw, Socket Button Head (1/4-20 x 1-1/4")	1	8
2		1027095	Plug Button, Black (7/8")	1	2
3		15680X012	Collar, Anti-Rattle (7/8")	1	2
4		7930323	Package, Locknut (1/4-20)	25	8
5		8881037653	Tube, Seat Rail	1	3
6		1036077	Tube, Front Slide	1	1
7		1036078	Tube, Rear Slide	1	2
8		8881038422	Frame, Front, Right	1	1
8		8881038423	Frame, Front, Left	1	1
9		8881040026	Frame, Side Without Decals, Right	1	1
9		8881040027	Frame, Side Without Decals, Left	1	1

Frame Width Growth Kits

NOTE: Frame width growth kits listed are for power Tiger seats only. To widen an Orbit seat, see seat frame under Orbit seat option.

NOTE: Front Rigging Footplates may be needed when growing a chair.

Original Width	13" New Width	14" New Width	15" New Width	16" New Width
12"	N/A See Note(s) A	1040142	1040143-NLA See Note(s) B	1040143-NLA See Note(s) B
13"	N/A	1040142	1040143-NLA See Note(s) B	1040143-NLA See Note(s) B
14"	N/A	N/A	1040143-NLA See Note(s) B	1040143-NLA See Note(s) B
15"	N/A	N/A	N/A	N/A See Note(s) A

NOTE: A - Only wider upholstery is required.
B - Specify frame color when ordering.

Individual Hardware For Growth Kits

Part Number	Description	1040142	1040143-NLA
1037291	Spacer Tube, 4" (for 16" Wide Frame)	N/A	2
1025360	Spacer Tube 2" (for 14" Wide Handle)	2	N/A
1029930	Spacer Tube 4" (for 16" Wide Handle)	N/A	2
1029922	Release Rod	N/A	1
1037285	Slide Tube, Seat Frame	N/A	2
1038250	Slide Tube, Cane	N/A	2
1016254	Handgrip	2	2
8881037655 See Note(s) A	Seat Rail Tube (15"-16" Wide)	N/A	2
1036434	Washer (9/32 x 7/8 x 3/16")	N/A	2
1036040	Spacer (9/32 x 7/8 x 1/2")	8	N/A
1020363	Spacer (1/4 x 1/2 x 7/32")	2	N/A
1036840	Screw (1/4-20 x 2-1/4")	6	N/A
1026035	Locknut (10-24)	N/A	2
1030957	Shoulder Bolt (1/4 x 1-3/4")	N/A	2
1026033	Washer (1/4 x 1/2 x 1/16")	N/A	2
1026034	Washer (7/32 x 7/16 x 1/8")	N/A	2

Frame Width Growth Kits

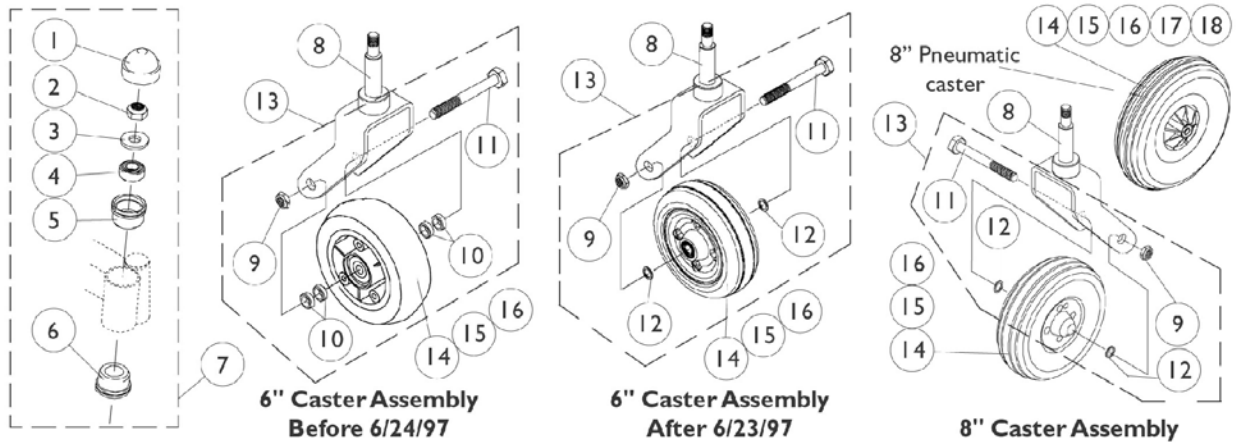
NOTE: Frame width growth kits listed are for power Tiger seats only. To widen an Orbit seat, see seat frame under Orbit seat option.

NOTE: Front Rigging Footplates may be needed when growing a chair.

Individual Hardware For Growth Kits

Part Number	Description	1040142	1040143-NLA
1002108	Screw (1/4-20 x 2")	4	N/A
40157X020	Spacer, Coved (1")	N/A	2
7930301	Screw (Pkg of 25) (1/4-20 x 1-3/4")	N/A	6
1008495	Screw (1/4-20 x 1-1/2")	N/A	4
NOTE: A - Specify frame color when ordering.			

6" and 8" Casters



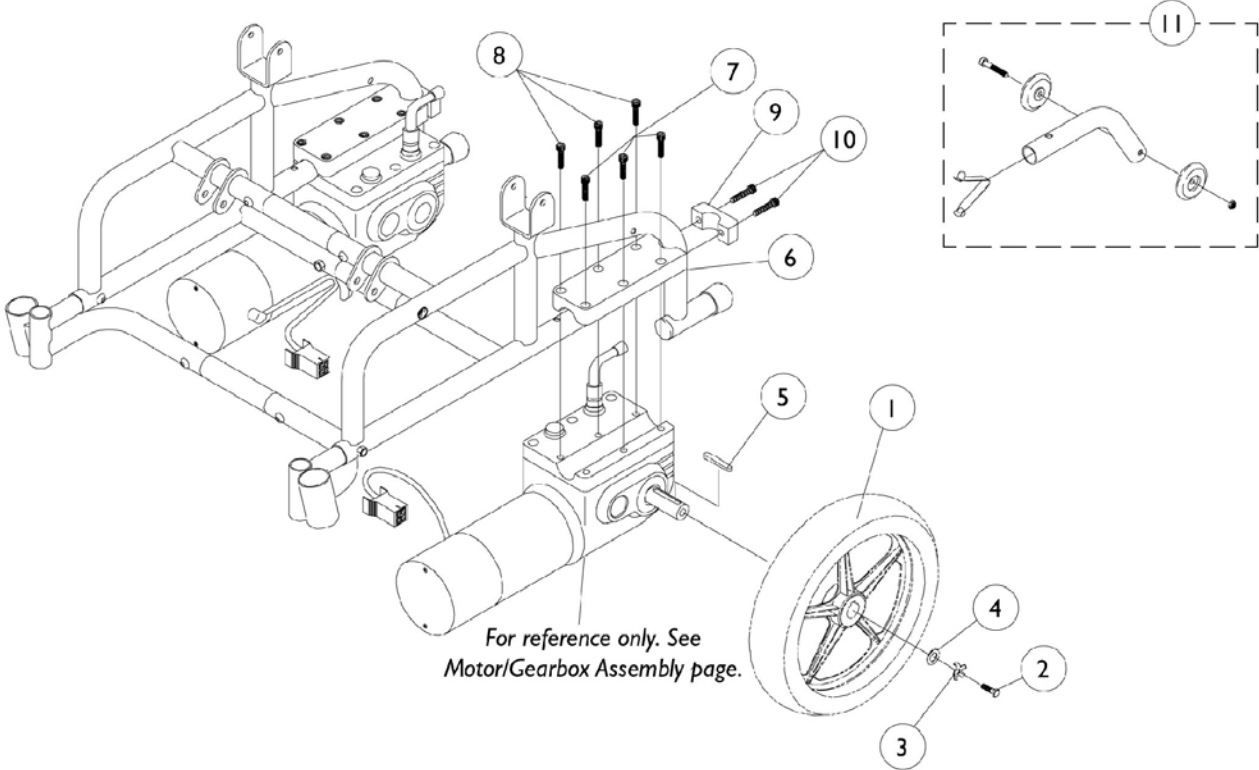
6" and 8" Casters

Item Number	Note	Part Number	Description	Quantity Per	
				Package	Assembly
1		1001843	Cap, Head Tube (Black)	1	1
2		7930352	Locknut (7/16-20)	25	1
3		40014X044	Washer, Nylon (7/16 x 1 x 1/8")	1	1
4		1006049	Bearing (7/16")	1	1
5		57768X030	Sleeve, Aluminum	1	1
6		1033083	Bearing Sleeve, Lower	1	1
7	D	1038219	Mounting, Caster Fork	1	1
8	B	1079861	Fork and Stem, 6" Black	1	1
8	B,E	8881079862	Fork and Stem, 6" Colored	1	1
8	B	1079864	Fork and Stem, 8" Black Only	25	1
9		7930331	Locknut (7/16-20")	1	4
10		1026101	Spacer (7/16 x 5/8 x 3/16")	1	1
11		1025726	Screw, Hex Head (7/16-20 x 3-1/4")	25	2
12	L	7930329	Washer, Steel (15/32 x 5/8 x 3/64")	25	2
12	F	7930312	Washer	1	1
13	G	1043620	Hardware, Caster Standard Fork	2	1
13	H	1042489	Caster Axle Hardware (1 Pair)	2	1
13	I	1030418	Hardware, Caster	1	2
14	J	40117X024	Bearing (7/16")	1	1
14	K	1006049	Bearing (7/16")	1	2
15		1020592	Spacer, Bearing (7/16 x 5/8 x 1-3/4")	1	1
16	C,N,N1	1072014-NLA	Wheel with Bearings - Semi Pneumatic (6" x 2")	1	1
16	O	1115179	Wheel with Bearings, 6 x 2" Urethane Deep Profile	1	1
16	O	1122066	Wheels with Bearings, 6 x 2" Urethane Deep Profile	2	1
16	A	1070811	Wheel/Caster, Semi-Pneumatic with Bearings (8 x 1-3/4")	1	1
16		1002002	Wheel with Bearings - Pneumatic (8 x 2")	1	1
17		40176X034	Tire, Pneumatic (8" x 2")	1	1
18		1034942	Tube, Pneumatic Inner (8" x 2")	1	1
	M	1071666	Wheel Assembly (8" x 1-3/4") Composite Semi-Pneumatic (Pair)	2	1

6" and 8" Casters

NOTE: A - For chairs manufactured before 6/9/97, order in pairs (Pair #1071666).
B - Fork design changed 10/5/98. For chairs manufactured before 10/5/98, order in pairs to match.
C - For chairs manufactured before 6/24/97, order in pairs and new caster hardware dated after 6/23/97.
D - Includes items 1-6
E - Specify color when ordering.
F - 8" Casters
G - 6" Fork (Before 6/24/97) Per Side
H - 6" Fork (After 6/23/97) One Pair
I - 8" Fork, One Pair
J - 6" Casters (Before 6/24/97)
K - 8" Casters and (6" Casters After 6/23/97)
L - 6" Casters (After 6/23/97)
M - Not Shown
N - Service part No Longer Available 8/15/03. Due to product improvement, order (pair) part number 1122066 dated after 8/14/03 so each side matches. The deep profile caster has 2 tread grooves w/ round corners instead of 4 tread grooves w/ square corners.
N1 - For chairs manufactured before 6/24/97, order new caster hardware dated after 6/23/97 as well.
O - For chairs made after 8/14/03

Rear Wheels and Motor Mounting Hardware

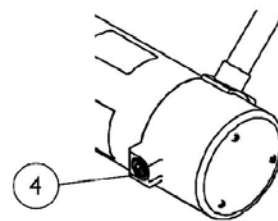
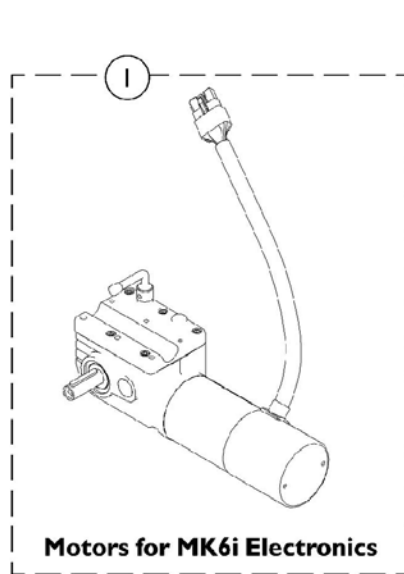
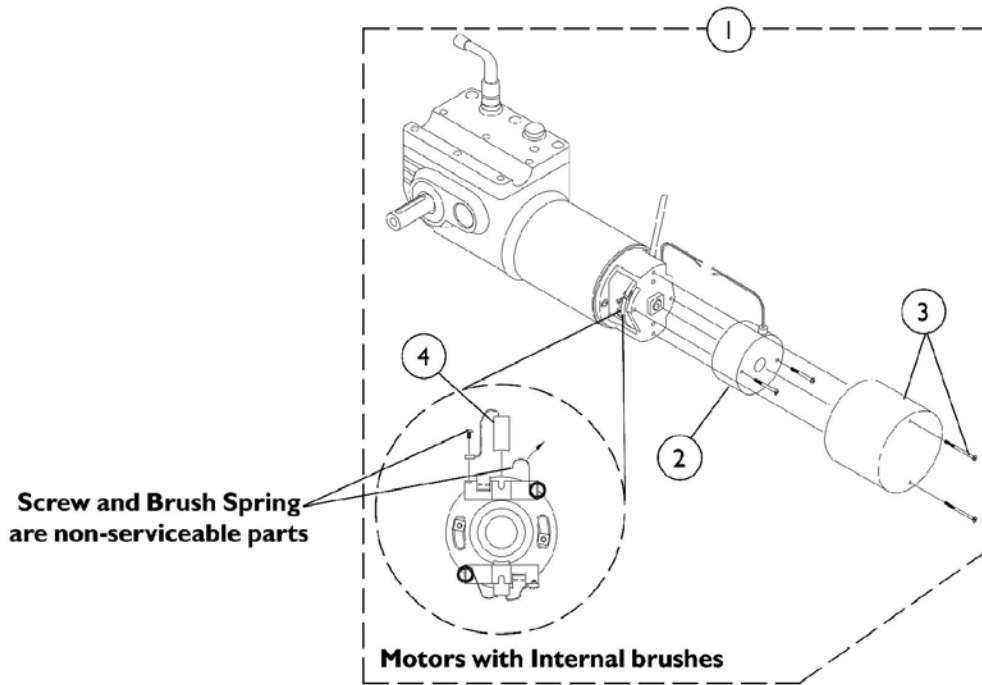


Rear Wheels and Motor Mounting Hardware

Item Number	Note	Part Number	Description	Quantity Per	
				Package	Assembly
1		1064178	Wheel, Drive 5 Spoke, Pneumatic (12-1/2" x 2-1/4") Includes: Locking Tab Washer with Instruction Sheet	1	1
1		1064177	Wheel, Drive 5 Spoke with Foam Fill Insert (12-1/2" x 2-1/4") Includes: Locking Tab Washer with Instruction Sheet	1	1
1		1011524	Tire (12-1/2" x 2-1/4")	1	1
1		1011525	Tube (12-1/2" x 2-1/4")	1	1
1	A	1073936-NLA	Insert, Flat Free	1	1
1		1064176-NLA	Rim with Locking Tab	1	1
2		1023260	Screw (M8 x 1-1/4 x 20MM)	1	1
3		1064179	Kit, Locking Tab Washers with Instruction Sheet	2	1
4		1023262	Washer (11/32 x 13/16 x 1/8")	1	1
5		1023264	Key (6 MM x 6MM x 40 MM)	1	1
6	B	1039400	Clamp, Motor Half	1	1
6	C	1139528	Clamp, Motor Half	1	1
7		1023258	Screw, Socket Head (M6 x 40MM)	1	3
8	B	1023257	Screw, Socket Head (M6 x 25MM)	1	3
8	C	1057823	Screw, Socket Head (M6 x 30mm)	1	3
9		1039401	Cap, Motor Clamp	1	1
10		1027268	Screw, Allen Head (1/4-20 x 1")	1	2
11		1038412	Anti-Tipper, Rear	1	1

NOTE: A - As of 10/20/99 the "solid" flat free insert was replaced by a "foam fill" process. When a Flat Free Insert is requested, a complete wheel must be ordered.
 B - Before 6/29/06
 C - After 6/28/06

Motor/Gearbox Assembly

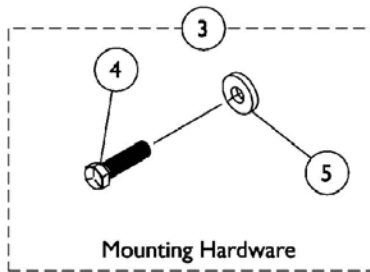
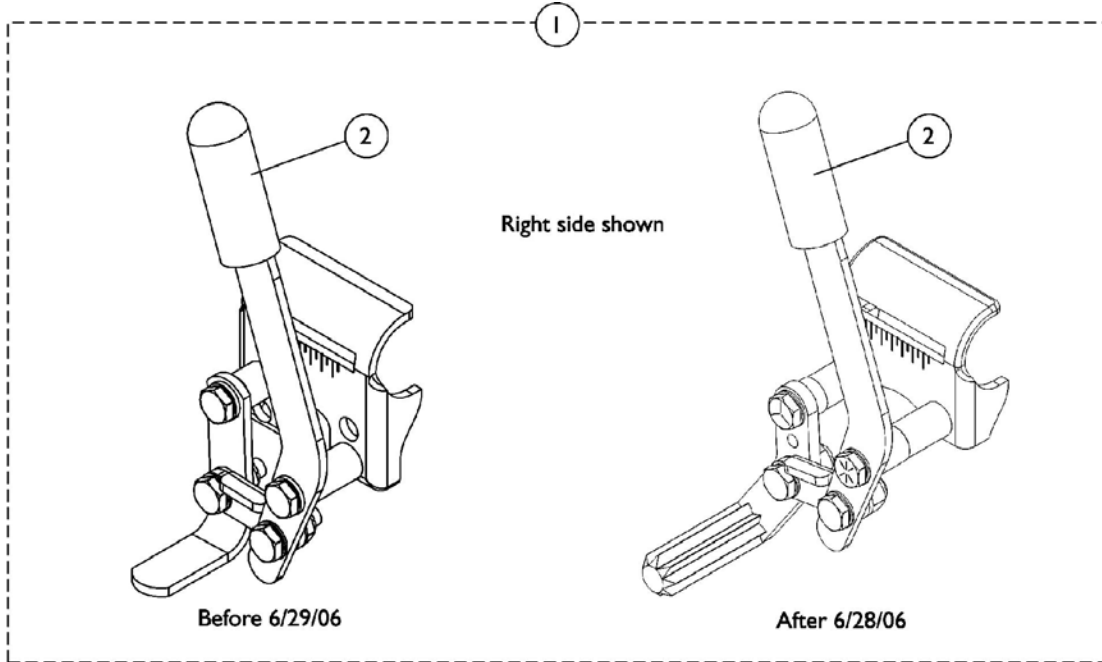


Motor/Gearbox Assembly

Item Number	Note	Part Number	Description	Quantity Per	
				Package	Assembly
1	A	1058399	Motor/Gearbox Assembly with Brake - Right	1	1
1	A	1058400	Motor/Gearbox Assembly with Brake - Left	1	1
1	A	1037543	Motor/Gearbox Assembly with Brake	2	1
1	B,C	1141356	Motor/Gearbox Assembly with Brake - Right	1	1
1	B,C	1141357	Motor/Gearbox Assembly with Brake - Left	1	1
1	D	1146103	Motor/Gearbox Assembly with Brake - Right	1	1
1	D	1146104	Motor/Gearbox Assembly with Brake - Left	1	1
2	A,D	1055872	Brake, Spring Set with Screws	1	1
3	A,D	1038361	Kit, Motor/Brake Covers with Screws	2	1
4	A,D	561-005	Kit, Motor Brush w/ Cap - Internal, Long Cap	2	1
4	B	1137265	Kit, Motor Brush w/ Cap - External	2	1
		1122164	Instruction Sheet, Motor Brush Kit	1	1

NOTE: A - Before 6/29/06
 B - 6/29/06 - 10/15/06
 C - Brakes and Brake Covers are non-serviceable for the Motor/Gearboxes built 6/29/06 thru 10/15/06 with external brushes
 D - After 10/15/06 for MK6i electronics.

Wheel Locks and Hardware

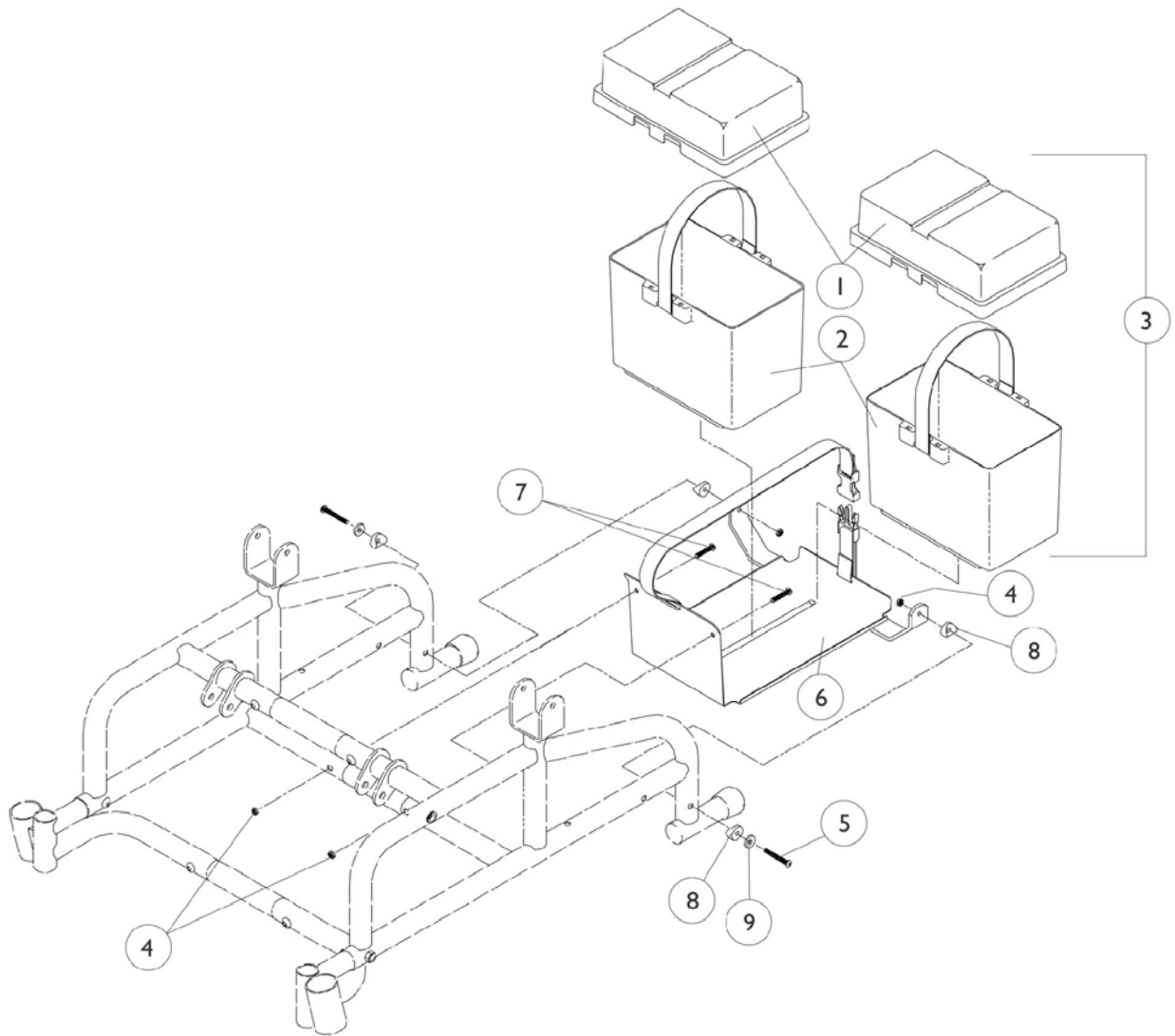


Wheel Locks and Hardware

Item Number	Note	Part Number	Description	Quantity Per	
				Package	Assembly
1	A,C	1061612-NLA	Wheel Lock Assembly - Right	1	1
1	A,C	1061613-NLA	Wheel Lock Assembly - Left	1	1
1	D	1141278	Wheel Lock Assembly - Right	1	1
1	D	1141279	Wheel Lock Assembly - Left	1	1
2		1136024	Package, Rubber Tips, Wheel Lock Handle, Black	10	1
3	B	1034136	Kit, Wheel Lock Attaching Hardware	2	1
4			Bolt, Hex Head Cap (1/4-20 x 3/4")	1	2
5			Washer (1/4 x 5/8 x 3/32")	1	2
<p>NOTE: A - Wheel lock handle design changed after 2/17/99. Chairs manufactured before 2/18/99, order in pairs to match. These wheel locks were used 2/18/99-6/28/06</p> <p>B - Item 3 is a pair number that includes 2 ea. of items 4 and 5</p> <p>C - Before 6/29/06. No Longer Available, order a pair of Wheel Locks dated after 6/28/06</p> <p>D - After 6/28/06</p>					

Battery Boxes and Tray Assembly

MKIV Electronics



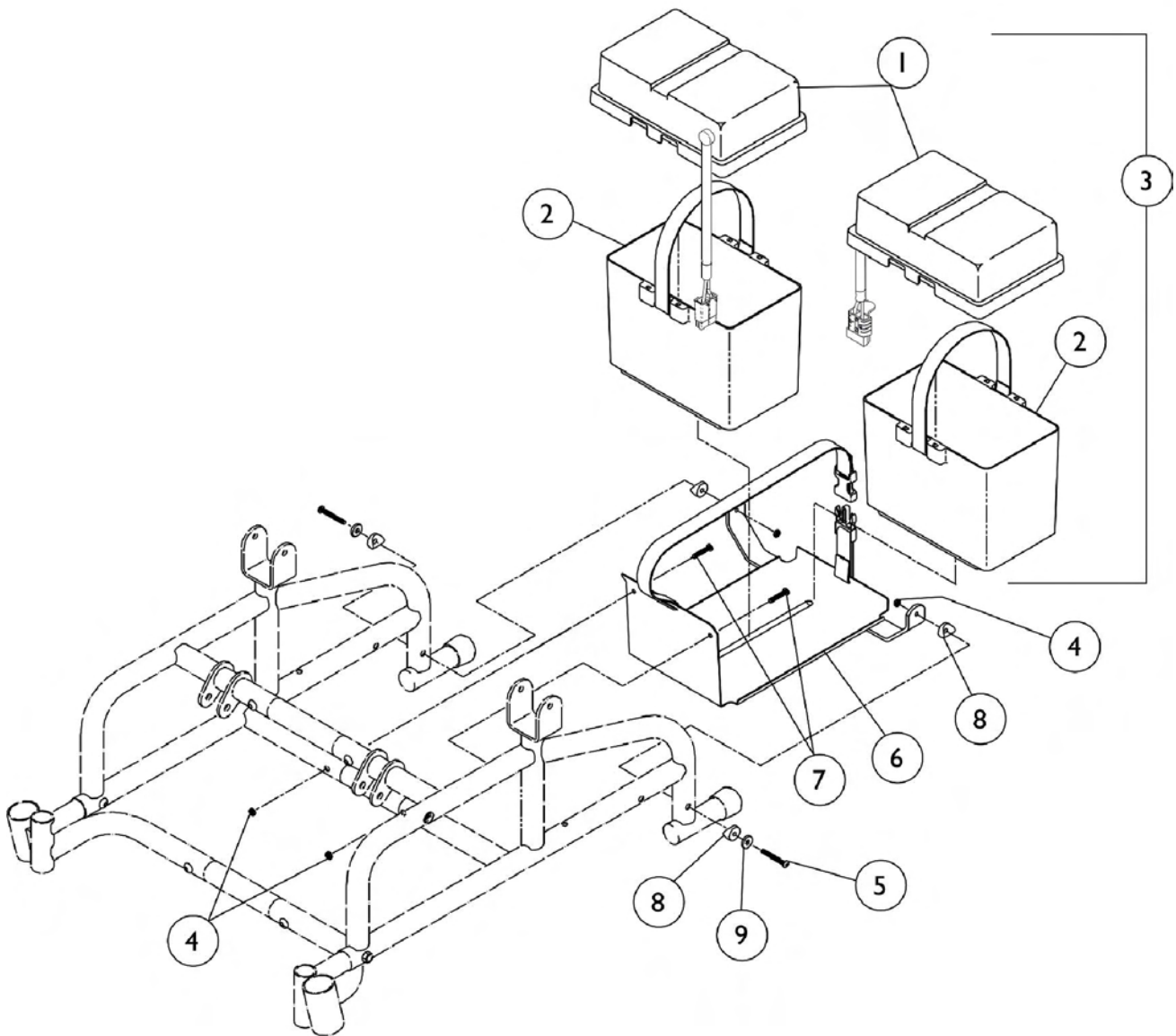
Battery Boxes and Tray Assembly MKIV Electronics

Item Number	Note	Part Number	Description	Quantity Per	
				Package	Assembly
1	A,B,C, F	1038223	Battery Box Top Assembly	1	2
2	A,F	1057944	Battery Box Bottom with Strap	1	2
3	F	1064505	Battery Box Assembly	1	2
4		7930323	Package, Locknut (1/4-20)	25	4
5		7930301	Package, Button Head Cap Screws (1/4-20 x 1-3/4")	25	2
6		1036044	Battery Tray with Buckle Strap	1	1
7		1008432	Screw, Socket Button Head (1/4-20 x 1-1/4")	1	2
8		40157X019	Spacer, Coved (1/4 x 7/8 x 7/16")	1	4
9		1018739	Washer (1/4 x 5/8 x 3/32")	1	2
	B,E,G	50000X166-NLA	Fuse, 60 Amp (Buss 2-1/4" Long)	1	2
	E,H	1089385	Fuse, 80 Amp, MIDI (Non-G/B & G/B)	1	2
	D,E	1058618	Hardware, Battery Terminal, 22NF Batteries (1 Pair)	2	1

NOTE: A - Battery boxes built before 8/1/96 are no longer available. When replacing a battery box top or bottom for chairs built before 8/1/96, both parts must be replaced. See item 3.
 B - As of 1/15/99 the battery harness fuse changed from a Bussman 60 AMP. to a MIDI 80 AMP. fuse. This battery box top is compatible for all chairs manufactured before 11/5/99 and must be ordered whenever a replacement Bussman 60 AMP. fuse is requested.
 C - It is recommended that terminal hdwr. part #1058618 for 22NF batteries be ordered when a new battery box top is ordered.
 D - Hardware includes battery clamps, battery clamp caps (red and black), small battery terminal caps (red and black), 1/4-20 x 7/8" hex flange screws, 1/4-20 hex flange nuts, cable ties and locking tab washers for two batteries.
 E - Not Shown.
 F - After 7/31/96
 G - Before 11/5/99
 H - After 11/4/99

Battery Boxes and Tray Assembly

MK6i Electronics



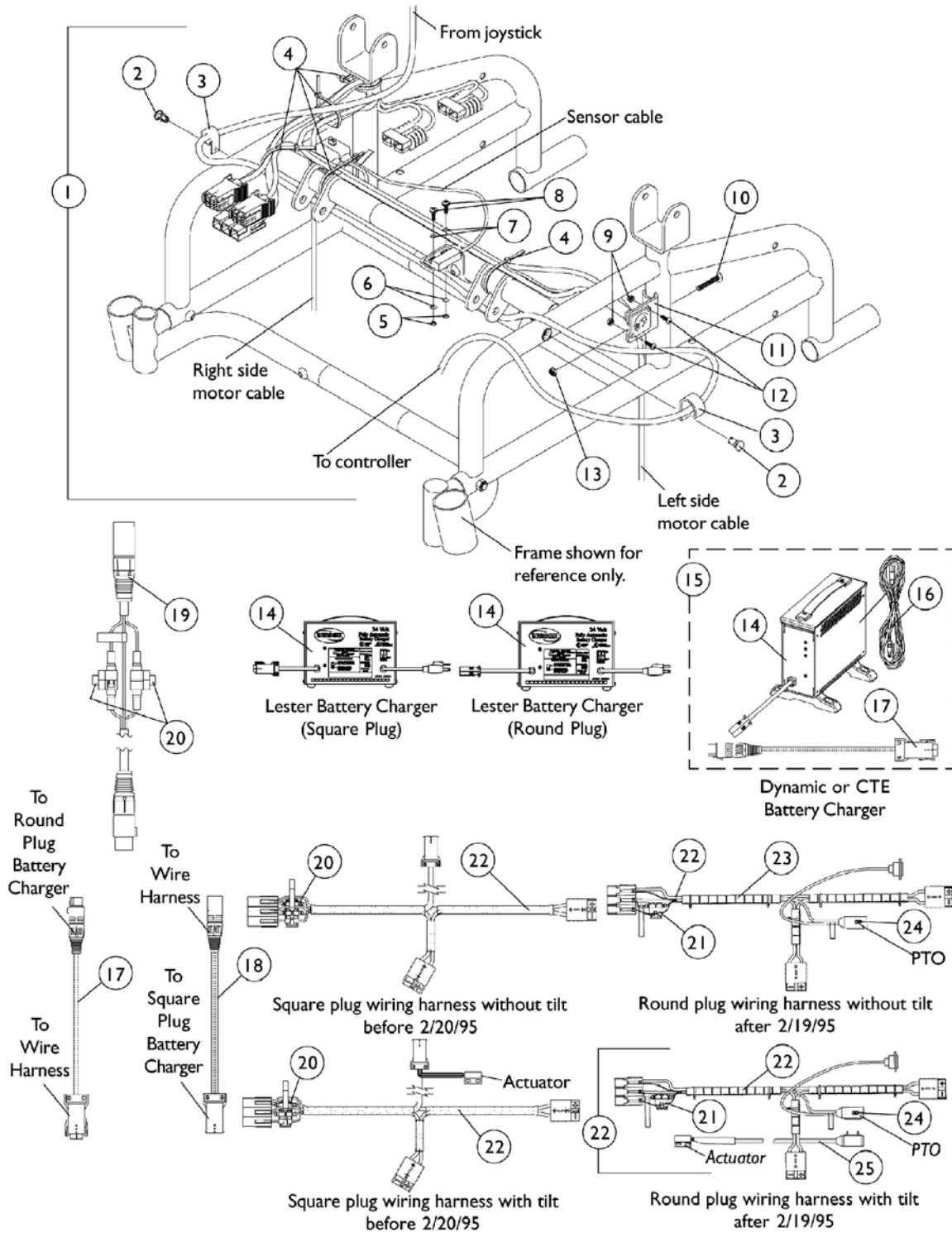
Battery Boxes and Tray Assembly MK6i Electronics

Item Number	Note	Part Number	Description	Quantity Per	
				Package	Assembly
1	A	1115248	Battery Box Top, Front (22NF)	1	1
1	A	1097003	Battery Box Top, Rear (22NF)	1	1
	C	1089385	Fuse, 80 Amp, MIDI (Non-G/B & G/B)	1	1
2		1057944	Battery Box Bottom with Strap	1	1
	C	1057954	Battery Strap	1	1
	C	1041433	Pin, Handle	1	2
3	B	1115917	Battery Box Assembly, Front (22NF)	1	1
3	B	1097007	Battery Box Assembly, Rear (22NF)	1	1
4		1025195	Locknut (1/4-20)	1	4
5		1001762	Screw, Socket Button Head (1/4-20 x 1-3/4")	1	2
6		1036044	Battery Tray with Buckle Strap	1	1
7		1008432	Screw, Socket Button Head (1/4-20 x 1-1/4")	1	2
8		40157X019	Spacer, Coved (1/4 x 7/8 x 7/16")	1	4
9		1018739	Washer (1/4 x 5/8 x 3/32")	1	2
	C,D	1058618	Hardware, Battery Terminal, 22NF Batteries (1 Pair)	2	1

NOTE: A - It is recommended that terminal hdwr. part #1058618 for 22NF batteries be ordered when a new battery box top is ordered.
 B - Includes Battery Box Top and Bottom (items 1 and 2).
 C - Not Shown.
 D - Hardware includes battery clamps, battery clamp caps (red and black), small battery terminal caps (red and black), 1/4-20 x 7/8" hex flange screws, 1/4-20 hex flange nuts, cable ties and locking tab washers for two batteries.

Wiring Harnesses and Chargers

MKIV Electronics



Wiring Harnesses and Chargers MKIV Electronics

Item Number	Note	Part Number	Description	Quantity Per	
				Package	Assembly
1	C	1052246	Hardware Harness Mounting	1	1
2		1022014	Rivet, Snap	1	2
3		50000X403	Clamp, (Black) Plastic	1	1
4		1095502	Package, Cable Ties (11-1/2" Long)	10	5
5		1005889	Locknut (#4-40)	1	2
6		1008525	Washer, Internal Tooth Lock (#4-40)	1	2
7		1011011	Washer, Plain (1/8 x 5/16 x 1/32)	1	2
8		1027704	Screw, Phillips Pan Head (#4-40 x 3/8")	1	2
9		P0870X000	Nut, Hex Keps (#4-40)	1	2
10		1008495	Screw, Socket Button Head (1/4-20 x 1-1/2")	1	1
11		1053837	Bracket, Charger Connector	1	1
12		1021742	Screw, Phillips Pan Head (#4-40 x 1/2")	1	2
13		1025736	Locknut (1/4-20)	1	1
14	A	1053163	Battery Charger, 8 Amp. 115vac (Off Board) Dual Mode Square Plug, Lester	1	1
14	A	1053161	Battery Charger, 8 Amp. 115vac (Off Board) Dual Mode Round Plug, Lester	1	1
14		1085678-NLA	Battery Charger, 8 Amp. 115vac (Off Board) Dual Mode Round Plug w/ AC Power Line Cord, Dynamic	1	1
14	J	1123249	Battery Charger, 8 Amp. 115vac (Off Board) Single Mode Round Plug w/ AC Power Line Cord, CTE Corp.	1	1
15	I,I1	1062556	Battery Charger, 8 Amp. 115vac (Off Board) Single Mode Round Plug w/ AC Power Line Cord and Square Plug Adapter Cable, CTE Corp.	1	1
16		1089627	Cord, AC Power Line 115vac (2-prong off-board 11'6"L)	1	1
17		1053831	Cable, Adapter	1	1
18		1058891	Cable, Adapter	1	1
19		1083929	Cable, Charger Extension (24" Long Round Plug)	1	1
20	F,G	1098892	Fuse, 15 Amp. (Buss ATC-15)	1	1
20	H	1090117	Fuse, 15 Amp. (Buss Mini ATM-15)	1	2
21	G	1101099	Fuse, 20 Amp. (Buss ATC-20)	1	1
21	H	1119230	Fuse, 20 Amp. (Buss Mini ATM-20)	1	1
22	D	1036391	Wiring Harness, Square Charger Plug, Tilt	1	1
22	D	1040179	Wiring Harness, Square Charger Plug, Non-Tilt	1	1
22	B,E	1053833	Wiring Harness, Round Charger Plug, Tilt	1	1
22	B,E	1053836	Wiring Harness, Round Charger Plug, Non-Tilt	1	1
23		1090357	Wrap, Slit Wire Harness (1/2" O.D.) (36" Long Cut To Length)	1	1
24		1090117	Fuse, 15 Amp. (Buss Mini ATM-15)	1	1
25		1092913	Cable, Drive Lockout Sensor	1	1

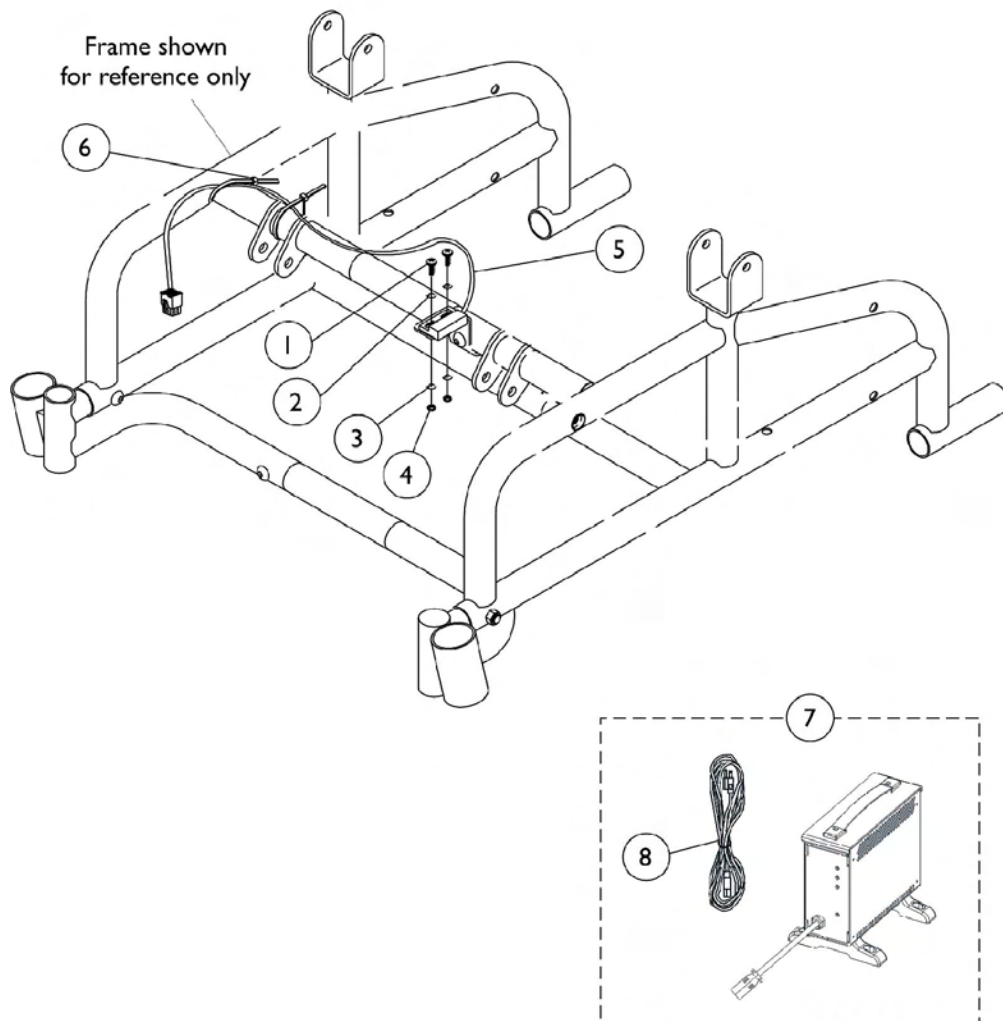
Wiring Harnesses and Chargers

MKIV Electronics

NOTE: A - On 7/18/01 Lester 8 amp. battery chargers were reinstated. The square plug model was offered on chairs made before 2/20/95.
B - On 8/26/02 a (PTO) power take off connector was added to the wire harness. Item 24 sensor cable is included with the tilt wire harness part number 1053833.
C - Includes items 2-13
D - Before 2/20/95
E - After 2/19/95
F - The wire harness takes a quantity of 2 fuses
G - Before 4/1/03
H - After 3/31/03
I - CTE charger introduced and standard on-chair 4/1/04. Used on Gel Cell or AGM (Absorbed Glass Mat) batteries. For wet cell batteries refer to the Lester charger.
I1 - CTE charger looks exactly the same as Dynamic's charger except for the company name that is silk screened on the narrow side panel, where the charger plug is (hard wired) attached. Serial number starts with 04A0000001.
J - CTE charger without the square plug adapter cord is for chairs equipped with a round plug charger connector

Wiring Harnesses and Chargers

MK6i Electronics



Wiring Harnesses and Chargers MK6i Electronics

Item Number	Note	Part Number	Description	Quantity Per	
				Package	Assembly
1		1027704	Screw, Phillips Pan Head (#4-40 x 3/8")	1	2
2		1011011	Washer, Plain (1/8 x 5/16 x 1/32)	1	2
3		1008525	Washer, Internal Tooth Lock (#4-40)	1	2
4		1005889	Locknut (#4-40)	1	2
5		1144926	Cable, Drive Lockout Sensor (MK6i)	1	1
6		1095502	Package, Cable Ties (11-1/2" Long)	10	1
7	A	1123249	Battery Charger, 8 Amp. 115vac (Off Board) Single Mode Round Plug w/ AC Power Line Cord, CTE Corp.	1	1
8		1089627	Cord, AC Power Line 115vac (2-prong off-board 11'6"L)	1	1

NOTE: A - Battery charger includes AC Power Line Cord (item 8).

MK6i Electronics

If you are looking for **MK6i™ Electronics** introduced to the
Power Tiger
on or about 10/9/06

The parts catalog information is now divided into two separate catalogs.

Web Page

The MK6i™ Electronics information can be found on the Invacare web page by selecting “Electronics MK6i™” in the “Select Parts Catalog” drop down menu.

INVACARE
Yes, you can.

INVACARE HOME | NEW SEARCH

Select Product Group: Power Wheelchairs & Scooters

Select Parts Catalog: Electronics MK6i™

Select Page In Catalog: -Select- Go

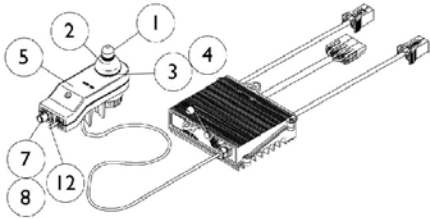
Catalog Literature: [Archived Parts Books](#) | [Complete Parts PDF](#) |

Printed Catalog

The MK6i™ Electronics information can be found in printed copy at our Literature Fulfillment Center listed under form # 06-110 and titled “MK6i™ Electronics”.

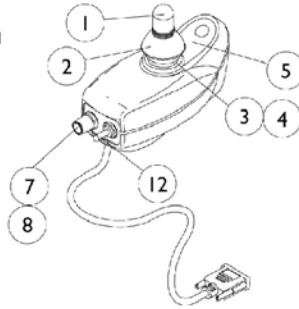
MKIV Joysticks

RII, RX, A, A+, TCHJOY

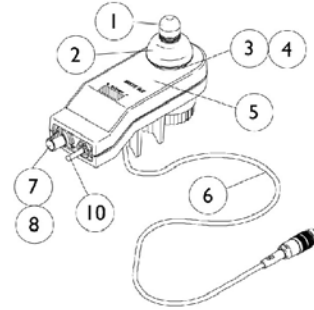


1080723NLA
RII Joystick/Controller
Before 5/1/00

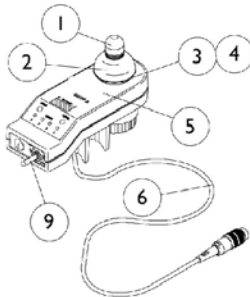
⊕ For chairs made before 5/1/00,
the following must be ordered:
RII Joystick part # (1092610)
RII Retro Controller part # (1095269)
Remote Programmer part # (1109091)



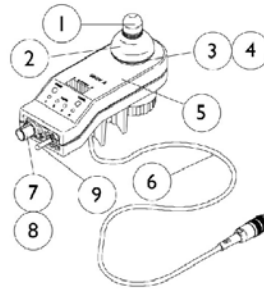
1092610
RII Joystick
After 4/30/00



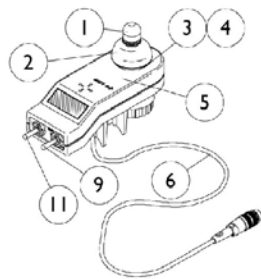
1038603
RX Joystick



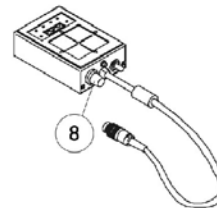
1038604
A Joystick
Before 9/1/96



1065944
A Joystick
After 8/31/96



1038608
A+ Joystick



1095289
TCHJOY
Touchpad "A"
Joystick

MKIV Joysticks RII, RX, A, A+, TCHJOY

Item Number	Note	Part Number	Description	Quantity Per	
				Package	Assembly
	A,C	1080723-NLA	Joystick/Controller, MKIV RII	1	1
	B	1095269	Controller, MKIV RII Retro	1	1
	B	1109091	Programmer, Remote	1	1
	B	See Chart	MKIV Joysticks	1	1

NOTE: A - For chairs made before 5/1/00, the following must be ordered, RII Joystick part #(1092610), RII Retro Controller Part #(1095269) and Remote Programmer part #(1109091)
 B - Not Shown
 C - For joystick inductive and switch components, refer to chart under RII joystick assembly part number 1092610

Item Number	Description	RII	RX	A		A+	TCHJOY
				Before 9/1/96	After 8/31/96		
See Pictorial	Joystick Assembly	1092610	1038603-NLA	1038604-NLA	1065944	1038608	1095289
1	Knob, Joystick	1040217	1040217	1040217	1040217	1040217	N/A
2	Skirt, Joystick	1040218	1040218	1040218	1040218	1040218	N/A
3	Inductive, Joystick	1036764 See Note(s) B	1036764 See Note(s) C	1036764 See Note(s) B	1036764 See Note(s) C	1036764 See Note(s) B	N/A
3	Inductive, Joystick	N/A	1104397 See Note(s) D	N/A	1104397 See Note(s) D	N/A	N/A
4	Boot, Joystick	50000X364	50000X364	50000X364	50000X364	50000X364	N/A
5	Overlay, Joystick Decal	1049692-NLA See Note(s) A	1038642	1040190	1040190	1036776	N/A
6	Cable Assembly	N/A See Note(s) A	1036750 See Note(s) C	1036750 See Note(s) B	1036750 See Note(s) C	1036750 See Note(s) B	N/A
6	Cable Assembly	N/A	1104205 See Note(s) D	N/A	1104205 See Note(s) D	N/A	N/A
7	Potentiometer, Speed	1040225 See Note(s) B	1040225 See Note(s) C	N/A	1040225 See Note(s) C	N/A	N/A
7	Potentiometer, Speed	N/A	1115518 See Note(s) D	N/A	1115518 See Note(s) D	N/A	N/A
8	Knob, Potentiometer	1025516	1025516	N/A	1025516	N/A	1025516
9	Switch, On/Off Momentary	N/A	N/A	1040185 See Note(s) B	1040185 See Note(s) C	1040185 See Note(s) B	N/A
9	Switch, On/Off Momentary	N/A	N/A	N/A	1115523 See Note(s) D	N/A	N/A

MKIV Joysticks

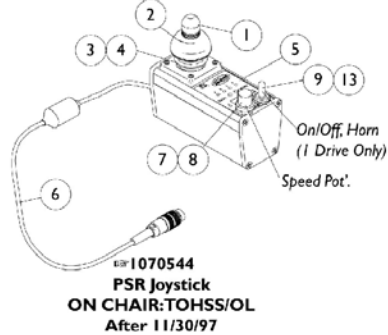
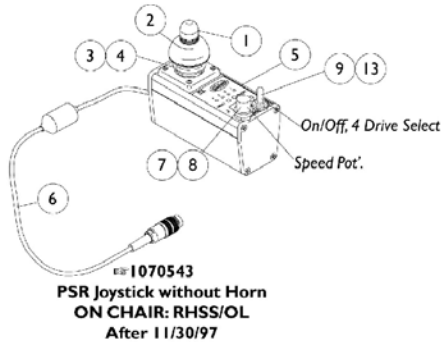
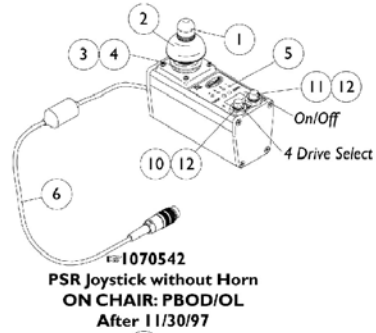
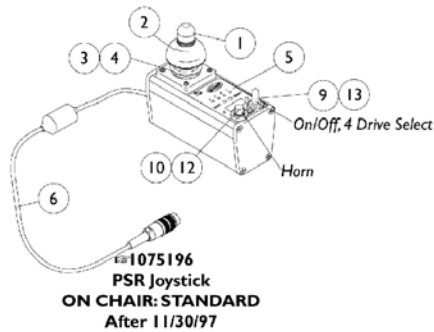
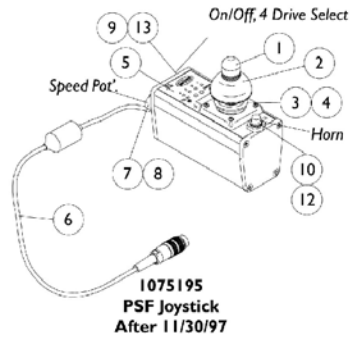
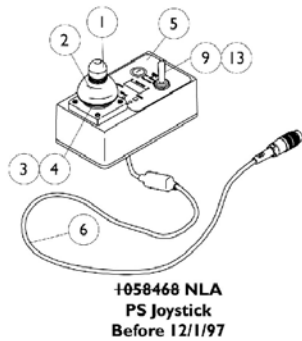
RII, RX, A, A+, TCHJOY

Item Number	Description	RII	RX	A Before 9/1/96	A After 8/31/96	A+	TCHJOY
10	Switch, Off/ 1-2	N/A	1038627 See Note(s) C	N/A	N/A	N/A	N/A
10	Switch, Off/ 1-2	N/A	1115521 See Note(s) D	N/A	N/A	N/A	N/A
11	Switch, Program	N/A	N/A	N/A	N/A	1040186 See Note(s) B	N/A
12	Switch, Toggle SPDT	1010042 See Note(s) B	N/A	N/A	N/A	N/A	N/A
NOTE: A - Cable assembly and joystick overlay decal for RII joystick before 10/01/02 and after 9/30/02 are not available. B - Item requires soldering C - Before 10/01/02 item requires soldering D - After 9/30/02 item has a non-solder connector.							

MKIV Joystick

PS, PSF and PSR

NOTE: PSR STANDARD joystick configuration below show the on/off switch on the left side for part # 1075196. When the on/off switch is required on the right side, refer to part number 8881075196 and order as a configured part.



- STANDARD:** This PSR joystick includes a toggle on/off combined with a drive select and a push button horn. No speed selector.
- PBOD:** This PSR joystick includes push button on/off with a push button drive select. This gives you access to the four drives, but no horn and no speed select.
- RHSS:** This PSR joystick replaces the horn with a speed selector. This allows you to deviate from having a horn to having a speed select dial, plus the drive selector to the four drives.
- TOHSS:** This PSR joystick includes a toggle on/off with horn and a speed select dial. You have access to only one drive.
- OL:** On/Off positioned on left side of the PSR joystick.
- OR:** On/Off positioned on right side of the PSR joystick.

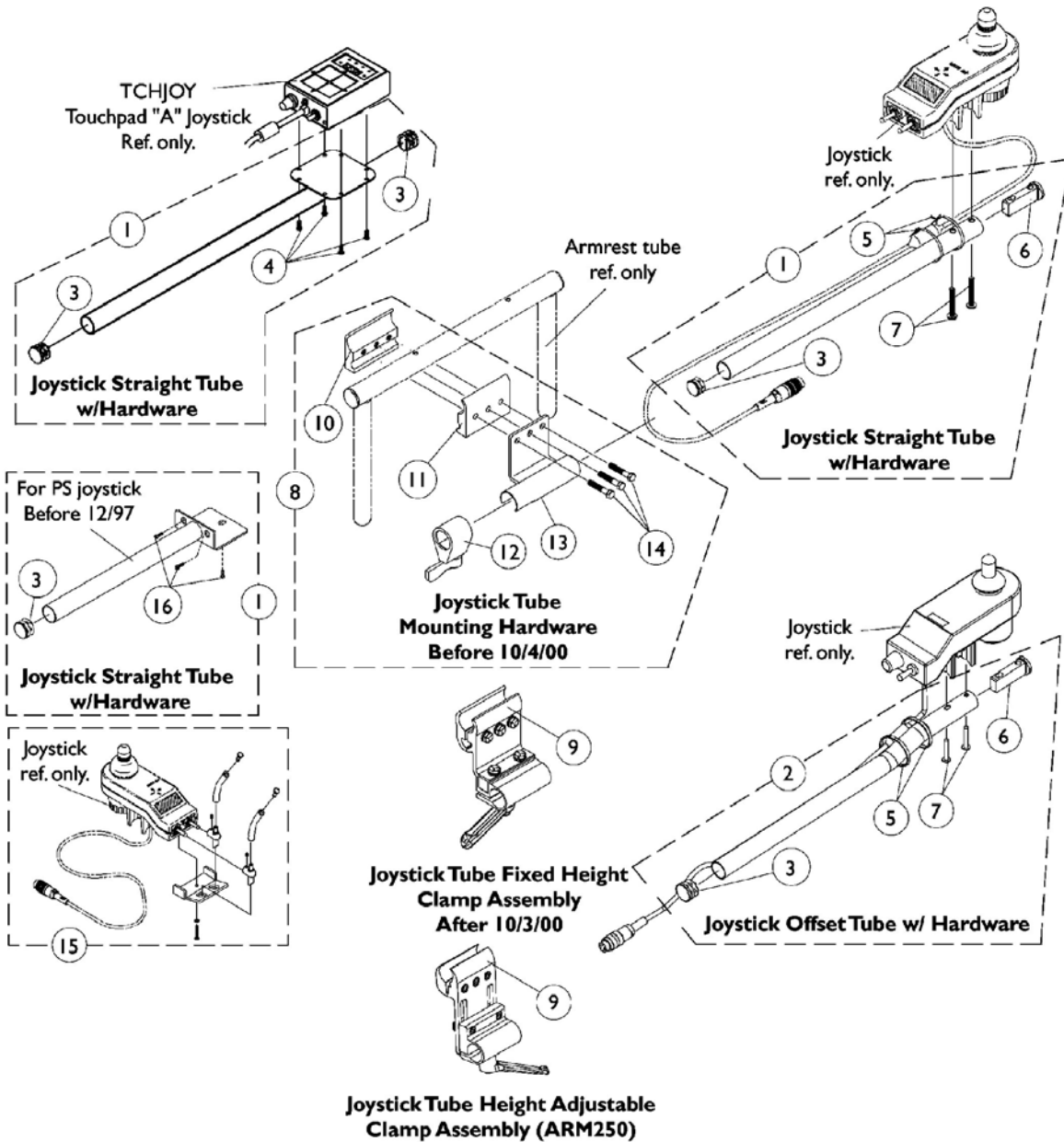
MKIV Joystick

PS, PSF and PSR

NOTE: PSR STANDARD joystick configuration below show the on/off switch on the left side for part # 1075196. When the on/off switch is required on the right side, refer to part number 8881075196 and order as a configured part.

Item Number	Description	PS Before 12/1/97	PSF After 11/30/97	PSR After 11/30/97
See Pictorial	Joystick Assembly	N/A	N/A	1075196
See Pictorial	Joystick Assembly	1058468-NLA	8881075195	8881075196
See Pictorial	Joystick Assembly	N/A	N/A	1070542
See Pictorial	Joystick Assembly	N/A	N/A	1070543
See Pictorial	Joystick Assembly	N/A	N/A	1070544
1	Knob, Joystick	1040217	1040217	1040217
2	Skirt, Joystick	1040218	1040218	1040218
3	Inductive, Joystick	1036764	1036764	1036764
4	Boot, Joystick	50000X364	50000X364	50000X364
5	Overlay, Joystick Decal	1058460-NLA	1075034	1079925
6	Cable Assembly	1036750	1036750	1036750
7	Potentiometer Speed	N/A	1040225	1040225
8	Knob Potentiometer	N/A	1025516	1025516
9	Switch, On/Off Momentary	1040185	1040185	1040185
10	Switch, Push Button SPST Momentary	N/A	1010047	1010047
11	Switch, Push Button SPST	N/A	N/A	1010048
12	Boot, Switch	N/A	1010049	1010049
13	Boot, Switch	1058464	1058464	1058464

MKIV Joystick Mounting Hardware and Joystick Accessories

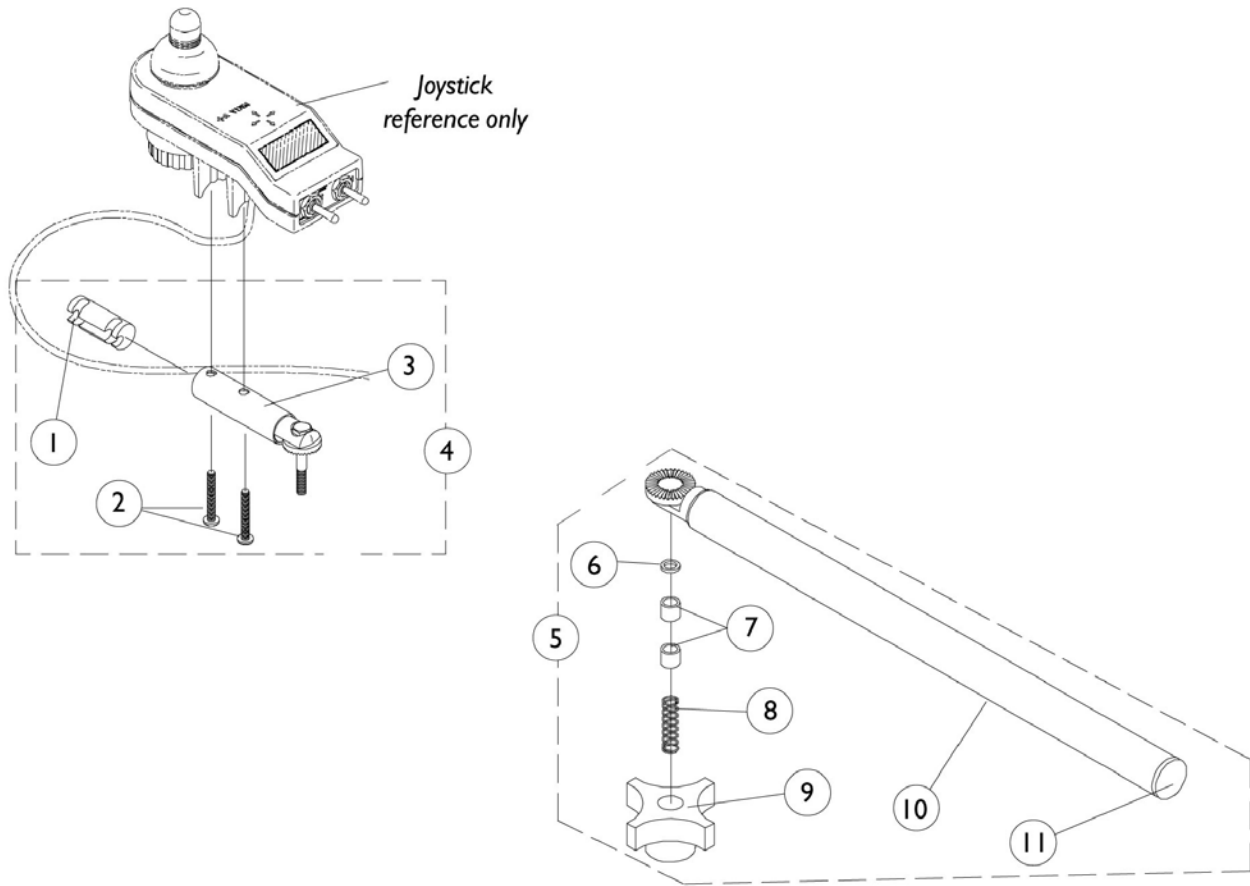


MKIV Joystick Mounting Hardware and Joystick Accessories

Item Number	Note	Part Number	Description	Quantity Per	
				Package	Assembly
1	A	1092604	Kit, Straight Joystick Tube with Hardware	1	1
1	B	1052719	Kit, Straight Joystick Tube with Hardware	1	1
1	C	1043568	Kit, Straight Joystick Tube with Hardware	1	1
2	D,D1,E	1093069	Kit, 1/2" Offset Joystick Tube with Hardware	1	1
3	F	1027095	Plug Button, Black (7/8")	1	1
4		1052041	Screw, Phillips Pan Head (#4-40 x 3/8")	1	4
5		1095502	Package, Cable Ties (11-1/2" Long)	10	1
6		1093063	Spacer, Joystick Tube	1	1
7		7930327	Screw, Phillips Pan Head (#10-32 x 1-1/8")	1	1
8	G	1049591	Hardware, Joystick Tube Mounting	1	1
9	D,D1,H	1093071	Clamp, Fixed Height Joystick Tube	1	1
9	I	1139422	Clamp, Height Adjustable Joystick Tube (ARM250)	1	1
10		1027267	Half Clamp, Threaded Holes	1	1
11		1027266	Half Clamp, Non-Threaded Holes	1	1
12		1027274	Lock, Adjustment (Black)	1	1
13		1049582	Bracket, Joystick Mounting	1	1
14		16690X004	Screw, Hex Head (1/4-20 x 1-1/8")	1	3
15		1055736	Toggle Switch Extension Kit	1	1
16		1016401	Screw, Phillips Round Head (#10-32 x 3/8")	1	3
	J	1006270	Joystick Extension - "T" Style (1560) (4" Wide x 5-1/2" Long)	1	1
	J	1006271	Joystick Extension - Straight Style (1561) (1/2" Wide x 5" Long)	1	1

NOTE: A - For TCHJOY Touch Pad "A" or TCPDM4 Touch Pad Joystick and includes the joystick tube, items 3 and 4
 B - For PS joystick before 12/1/97 and includes the joystick tube, items 3 and 16
 C - For MKIV RII, RX, A, A+, PSF/PSR joysticks before 10/4/00 and includes the joystick tube, items 3 and 5-7
 D - The joystick straight tube changed to an offset joystick tube on 10/4/00. The joystick tube mounting hardware also changed to a new fixed height clamp assembly to allow an individual to use an
 D1 - adjustment lever to securely hold the joystick tube in place. The fixed height joystick tube clamp can be used as a direct replacement in the field for the joystick tube mounting hardware part number 1049591 manufactured for chairs before 10/4/00.
 E - For MKIV RII, RX, A, A+, PSF/PSR joysticks after 10/3/00 and includes the offset joystick tube, items 3 and 5-7
 F - The Touch Pad joystick tube takes a quantity of 2 plug buttons
 G - For (PS joystick before 12/1/97), TCHJOY and MKIV RII, RX, A, A+, PSF/PSR joystick before 10/4/00 and includes items 10-14
 H - For MKIV RII, RX, A, A+, PSF/PSR joystick after 10/3/00. Individual components are non-saleable
 I - Introduced 10/31/05 as option (ARM250) and can be used to replace a Fixed Height Joystick Tube Clamp in the field. Individual components are non-saleable
 J - Not Shown

MKIV Swivel Joystick Hardware

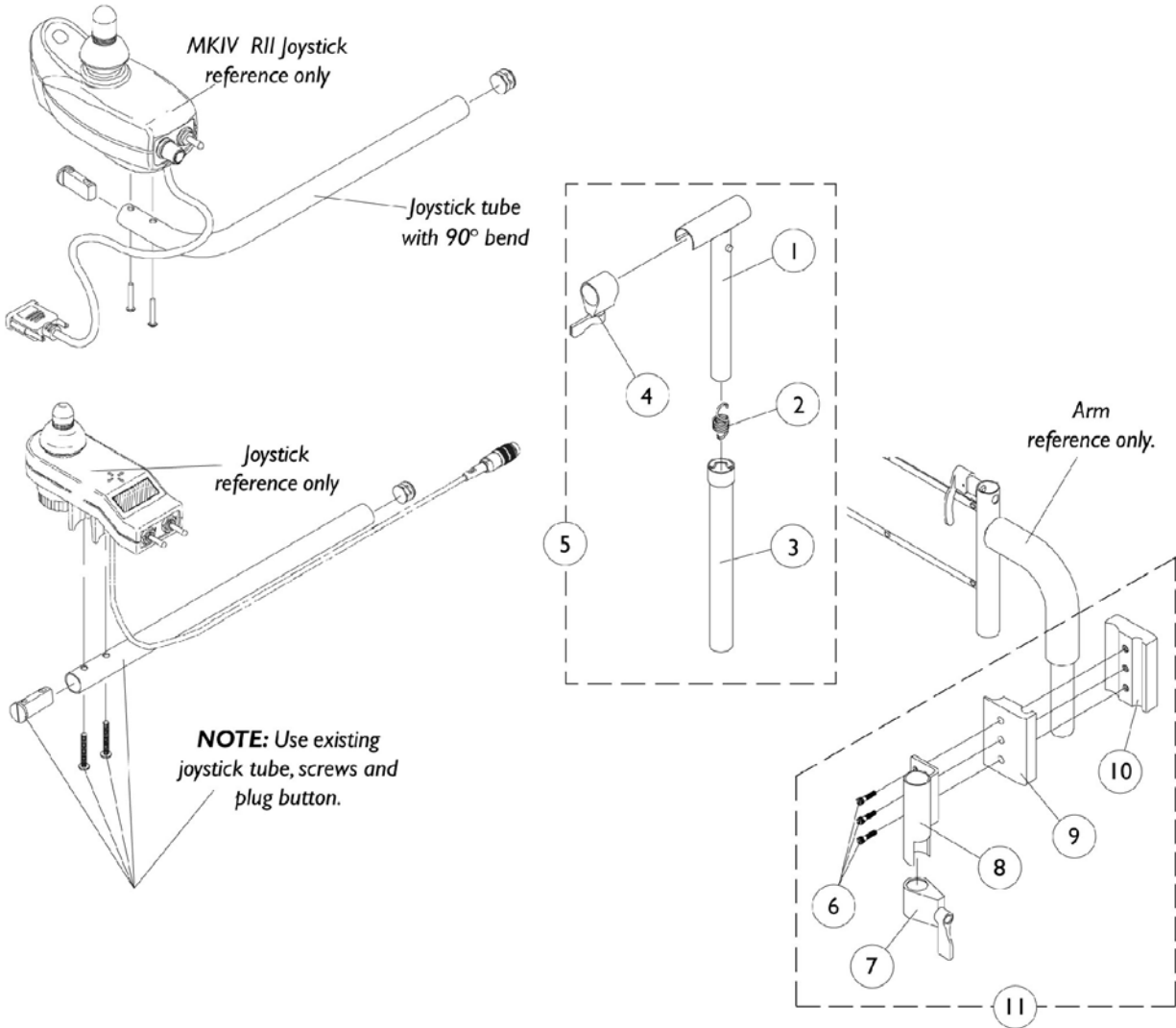


Item Number	Note	Part Number	Description	Quantity Per	
				Package	Assembly
1		1093063	Spacer, Joystick Tube	1	1
2		7930327	Screw, Phillips Pan Head (#10-32 x 1-1/8")	25	3
3		1049962	Swivel Joystick Bracket, MKIV	1	1
4		1049963	Swivel Joystick Bracket with Hardware	1	1
5		1035986	Swivel Joystick Tube with Hardware	1	1
6		1020551	Washer, Flat (1/4 x 3/8 x 1/16")	1	1
7		1005844	Bushing	1	2
8		1002511	Spring, Hitch Bracket	1	1
9		1023670	Knob, Clamping	1	1
10		1035990	Tube, Swivel Joystick	1	1
11		1027095	Plug Button, Black (7/8")	1	1

MKIV Mid-Line Swing Bracket Assembly

NOTE: Joystick tube with 90 degree bend replaces the standard tube when joysticks PSF, PSR and (R11 part number 1092610) are used.

Joystick Tube with 90 degree bend must be ordered as a special when a replacement is needed.



MKIV Mid-Line Swing Bracket Assembly

NOTE: Joystick tube with 90 degree bend replaces the standard tube when joysticks PSF, PSR and (RII part number 1092610) are used.

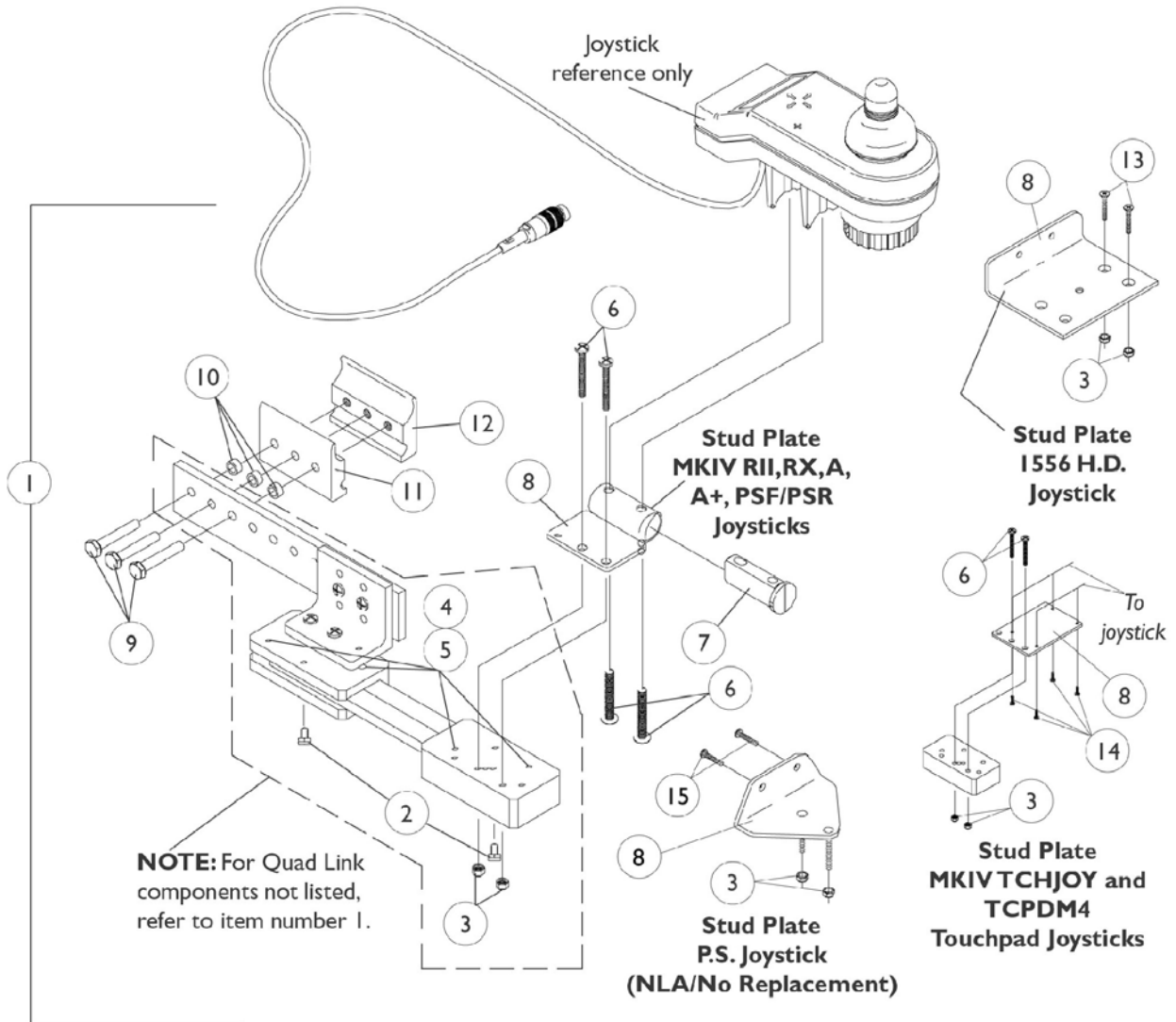
Joystick Tube with 90 degree bend must be ordered as a special when a replacement is needed.

Item Number	Note	Part Number	Description	Quantity Per	
				Package	Assembly
1		1035528	Adjustment Tube, (Inside) Mid-Line	1	1
2		1016778	Spring, Extension	1	1
3		1035860	Adjustment Tube, (Outside) Mid-Line	1	1
4		1027274	Lock, Adjustment (Black)	1	1
5	A	1035852	Swing Bracket Assembly, Mid-Line	1	1
6		7930349	Screw, Hex Head (1/4-20 x 1-1/8")	25	3
7		1027274	Lock, Adjustment (Black)	1	1
8		1049582	Bracket, Joystick Mounting	1	1
9		1027266	Half Clamp, Non-Threaded Holes	1	1
10		1027267	Half Clamp, Threaded Holes	1	1
11	B	1049591	Hardware, Joystick Tube Mounting	1	1
	C	1092610	Joystick, RII	1	1

NOTE: A - Includes items 1-4
 B - Includes items 6-10
 C - Not Shown

Quad Link Assembly

Before 10/31/05



Quad Link Assembly Before 10/31/05

Item Number	Note	Part Number	Description	Quantity Per		
				Package	Assembly	
1	A	1052402	Kit, Quad Link Assembly - Right	1	1	
2			Ball Plunger with Lock Washer Assembly	2	1	
3			Locknut (#10-32)	1	2	
4			Screw, Socket Head (#10-32 x 1/2")	1	4	
5			Bushing, Bronze (3/16 x 1/4 x 1/4")	1	4	
6			Screw, Phillips Pan Head (#10-32 x 1-1/8")	1	4	
7			Spacer, Joystick Tube	1	1	
8			Stud Plate, Quad Link	1	1	
9			Screw, Hex Head (1/4-20 x 1-1/2")	1	3	
10			Spacer (1/4 x 3/8 x 3/16")	1	3	
11			Half Clamp, Non-Threaded Holes	1	1	
12			Half Clamp, Threaded Holes	1	1	
1	A	1115372	Kit, Quad Link Assembly - Left	1	1	
2			Ball Plunger with Lock Washer Assembly	2	1	
3			Locknut (#10-32)	1	2	
4			Screw, Socket Head (#10-32 x 1/2")	1	4	
5			Bushing, Bronze (3/16 x 1/4 x 1/4")	1	4	
6			Screw, Phillips Pan Head (#10-32 x 1-1/8")	1	4	
7			Spacer, Joystick Tube	1	1	
8			Stud Plate, Quad Link	1	1	
9			Screw, Hex Head (1/4-20 x 1-1/2")	1	3	
10			Spacer (1/4 x 3/8 x 3/16")	1	3	
11			Half Clamp, Non-Threaded Holes	1	1	
12			Half Clamp, Threaded Holes	1	1	
1	B,E	1034703-NLA	Kit, Quad Link Assembly - Right	1	1	
2			Ball Plunger with Lock Washer Assembly	2	1	
3			Locknut (#10-32)	1	2	
4			Screw, Socket Head (#10-32 x 1/2")	1	4	
5			Bushing, Bronze (3/16 x 1/4 x 1/4")	1	4	
8			Stud Plate, Quad Link For 1556 Heavy Duty Joystick	1	1	
9			Screw, Hex Head (1/4-20 x 1-1/2")	1	3	
10			Spacer (1/4 x 3/8 x 3/16")	1	3	
11			Half Clamp, Non-Threaded Holes	1	1	
12			Half Clamp, Threaded Holes	1	1	
13			Screw, Phillips Flat Head Countersunk (#10-32 x 1-1/8")	1	2	
1	B		1114866	Kit, Quad Link Assembly - Left	1	1
2				Ball Plunger with Lock Washer Assembly	2	1
3		Locknut (#10-32)		1	2	
4		Screw, Socket Head (#10-32 x 1/2")		1	4	
5		Bushing, Bronze (3/16 x 1/4 x 1/4")		1	4	
8		Stud Plate, Quad Link For 1556 Heavy Duty Joystick		1	1	

Quad Link Assembly Before 10/31/05

Item Number	Note	Part Number	Description	Quantity Per	
				Package	Assembly
9			Screw, Hex Head (1/4-20 x 1-1/2")	1	3
10			Spacer (1/4 x 3/8 x 3/16")	1	3
11			Half Clamp, Non-Threaded Holes	1	1
12			Half Clamp, Threaded Holes	1	1
13			Screw, Phillips Flat Head Countersunk (#10-32 x 1-1/8")	1	2
1	C	1102027	Kit, Quad Link Assembly - Right For TCHJOY/TCPDM4 Touchpad	1	1
2			Ball Plunger with Lock Washer Assembly	2	1
3			Locknut (#10-32)	1	2
4			Screw, Socket Head (#10-32 x 1/2")	1	4
5			Bushing, Bronze (3/16 x 1/4 x 1/4")	1	4
6			Screw, Phillips Pan Head (#10-32 x 1-1/8")	1	2
8			Stud Plate, Quad Link MKIV TCHJOY/TCPDM4	1	1
9			Screw, Hex Head (1/4-20 x 1-1/2")	1	3
10			Spacer (1/4 x 3/8 x 3/16")	1	3
11			Half Clamp, Non-Threaded Holes	1	1
12			Half Clamp, Threaded Holes	1	1
14			Screw, Phillips Flat Head Countersunk (#4-40 x 3/8")	1	4
1	D	1106191-NLA	Kit, Quad Link Assembly - Right For PS joystick	1	1
2			Ball Plunger with Lock Washer Assembly	2	1
3			Locknut (#10-32)	1	2
4			Screw, Socket Head (#10-32 x 1/2")	1	4
5			Bushing, Bronze (3/16 x 1/4 x 1/4")	1	4
8			Stud Plate, Quad Link P.S. Joystick	1	1
9			Screw, Hex Head (1/4-20 x 1-1/2")	1	3
10			Spacer (1/4 x 3/8 x 3/16")	1	3
11			Half Clamp, Non-Threaded Holes	1	1
12			Half Clamp, Threaded Holes	1	1
15			Screw, Phillips Pan Head (#10-32 x 3/4")	1	2
2		1114863	Ball Plunger with Lock Washer Assembly	2	1
<p>NOTE: A - Includes the Quad Link, items 2-12 and used with MKIV RII, RX, A, A+, PSF/PSR joysticks B - Includes the Quad Link, items 2-5, 8-13 and used with a 1556 Heavy Duty joystick C - Includes the Quad Link, items 2-6, 8-12, 14 and used with MKIV TCHJOY/TCPDM4 joysticks. For left side mounted Quad Link, order as a special. D - Includes the Quad Link, items 2-5, 8-12, 15 and used with a PS joystick E - Quad Link Assembly is no longer available. Please see Quad Link Assembly (After 10/30/05) category and use new Quad Link design as a replacement.</p>					

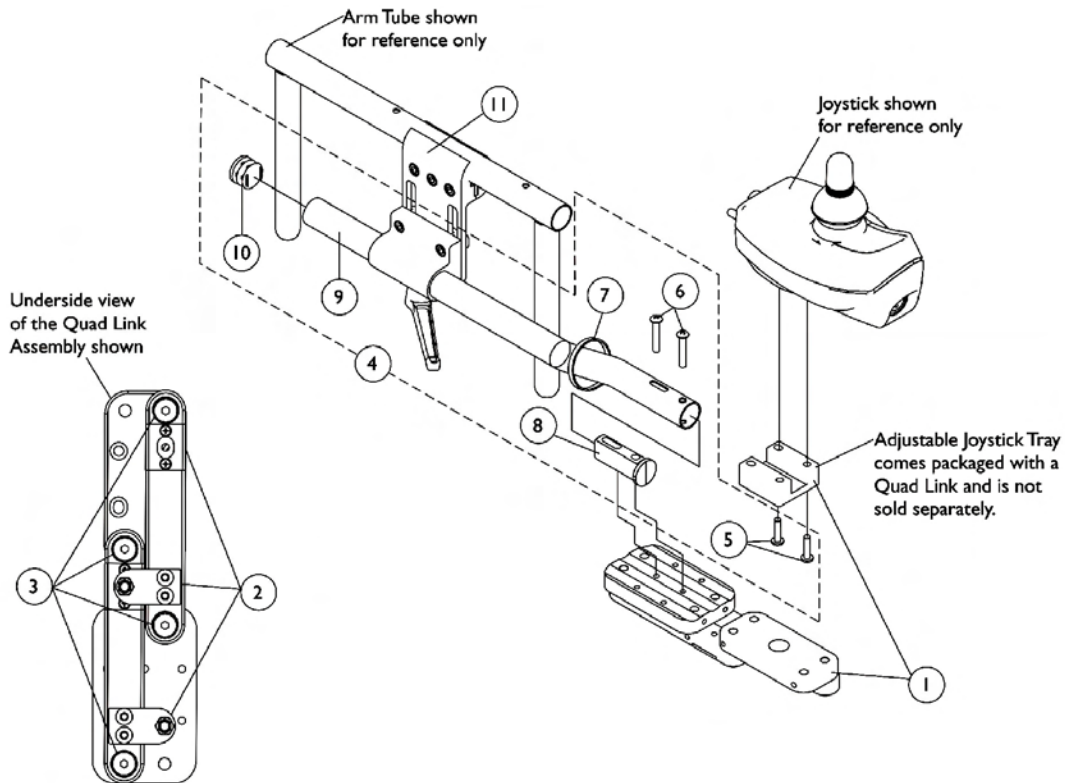
Quad Link (QLA)

After 10/30/05

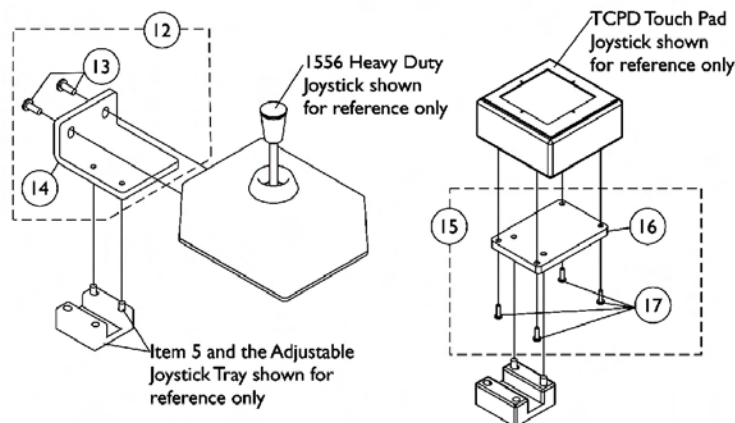
When converting an old style Quad Link that attaches to a mounting plate or (a Flex Tube or Touch Pad Joystick Tube) is currently on the chair then order the following:

Quad Link Mtg. Hdwr. (item 4), Quad Link (item 1) & Ht. Adj. Joystick Tube Clamp (item 11)

NOTE: Substitute (item 4) with 2 ea. of the PPH Screws (item 5) when an offset joystick tube is currently on the chair. Additional Joystick Mtg. Hdwr. must be ordered when a 1556 Heavy Duty or TCPD Touch Pad joystick are used.



Screw Fastener and Quad Link Latch Hardware



Quad Link (QLA)

After 10/30/05

When converting an old style Quad Link that attaches to a mounting plate or (a Flex Tube or Touch Pad Joystick Tube) is currently on the chair then order the following:

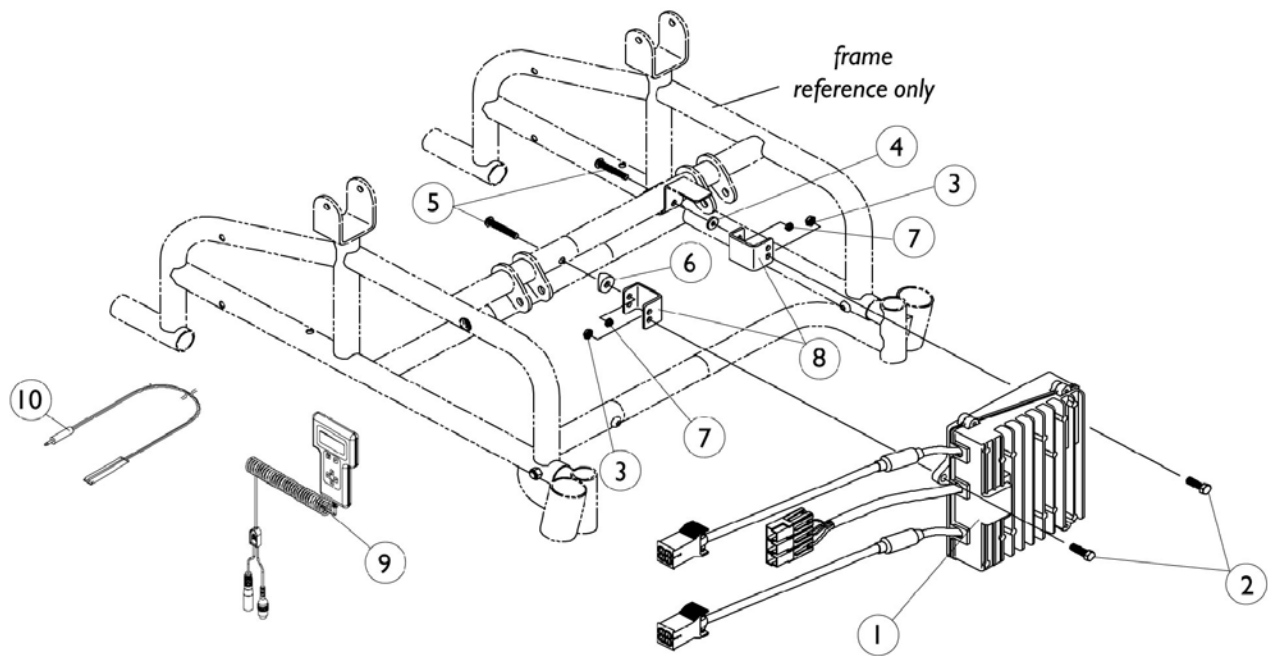
Quad Link Mtg. Hdwr. (item 4), Quad Link (item 1) & Ht. Adj. Joystick Tube Clamp (item 11)

NOTE: Substitute (item 4) with 2 ea. of the PPH Screws (item 5) when an offset joystick tube is currently on the chair. Additional Joystick Mtg. Hdwr. must be ordered when a 1556 Heavy Duty or TCPD Touch Pad joystick are used.

Item Number	Note	Part Number	Description	Quantity Per	
				Package	Assembly
1		1140896	Quad Link with Adjustable Joystick Tray (QLA) and Instruction Sheet - Right	1	1
1		1140897	Quad Link with Adjustable Joystick Tray (QLA) and Instruction Sheet - Left	1	1
2	A	1140425	Kit, Quad Link Latch Hardware	1	1
3	B	1140424	Kit, Quad Link Screw Fastener Hardware	1	1
4	C,C1	1139416	Kit, ASBA/ADJASBA Quad Link Mounting Hardware	1	1
5			Screw, Phillips Pan Head w/ Patch (10-32 x 3/4")	1	2
6			Screw, Phillips Pan Head (#10-32 x 1-1/8")	1	2
7			Cable Tie (11-1/2" Long)	1	1
8			Spacer, Joystick Tube	1	1
9			Tube, Joystick 1/2" Offset	1	1
10			Plug Button, Black (7/8")	1	1
5		1105414	Screw, Phillips Pan Head w/ Patch (10-32 x 3/4")	1	2
11	G	1139422	Clamp, Height Adjustable Joystick Tube (ARM250)	1	1
12	D	1139925-NLA	Kit, 1556 Heavy Duty Joystick To Quad Link Mounting Hardware	1	1
13			Screw, Phillips Pan Head (#10-32 x 1/2")	1	2
14			Plate, 1556 HD Joystick Quad Link	1	1
15	E	1139683	Kit, TCPD Touch Pad To Quad Link Mounting Hardware	1	1
16			Plate, TCPD Touch Pad Quad Link	1	1
17			Screw, Phillips Pan Head (#4-40 x 3/8")	1	4
	F	1134844	Instruction Sheet, Quad Link	1	1

NOTE: A - Latch Kit includes 4 ea. Button Head Cap Screws (10-32 x 3/8"), 2 ea. Latch Spring Assembly, 4 ea. Phillips Flat C'Sunk Head Screws, 2 ea. Spring Catch Plates, 2 ea. Socket Head Set Screws (10-32 x 3/8")
 B - Screw Fastener Kit includes 4 ea. Socket Head Shoulder Screws (3/8 x 3/8"), 2 ea. Socket Head Cap Screws (1/4-20 x 3/8"), 2 ea. Socket Head Set Screws (1/4-20 x 1/2"), 4 ea. Socket Head Set Screws (10-32 x 1/8")
 C - Includes items 5-10. The Quad Link Mounting Hardware accommodates MKIV RII, RX, A, A+, PSF/PSR joysticks.
 C1 - When ordering the Quad Link for the first time, Additional hardware is required for 1556 Heavy Duty and TCPD Touch Pad joysticks. See pictorial for reference.
 D - Includes items 13 and 14
 E - Includes items 16 and 17
 F - Not Shown
 G - Individual components are non-saleable

MKIV Controller, Programmer and Attaching Hardware

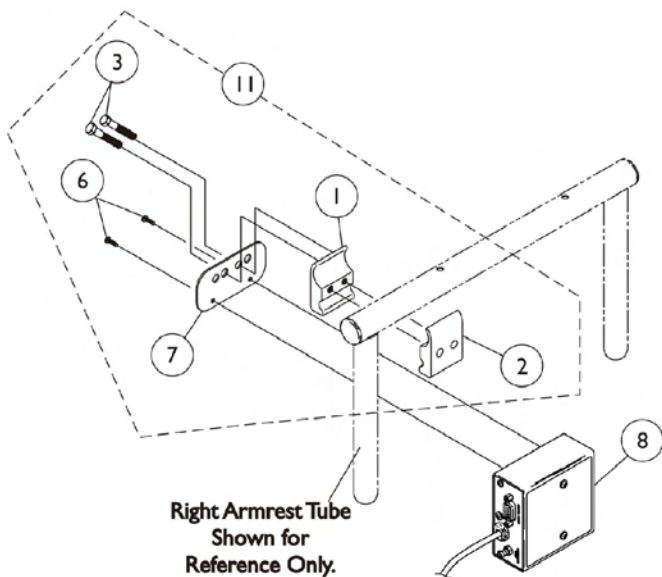


MKIV Controller, Programmer and Attaching Hardware

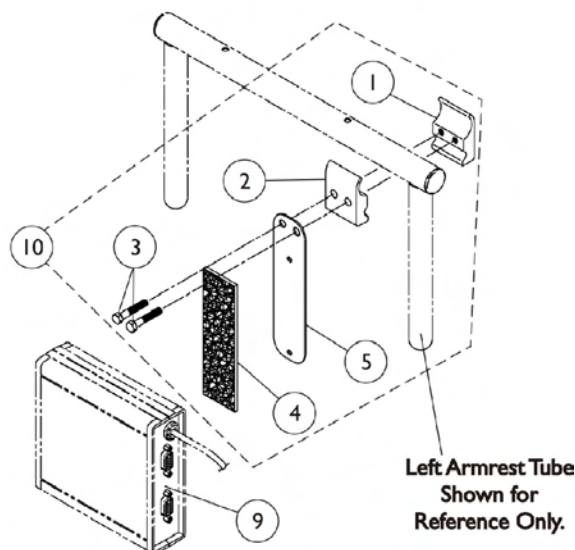
Item Number	Note	Part Number	Description	Quantity Per	
				Package	Assembly
1		1105707	Controller, MKIV Quad Pulse	1	1
1	B,G	1095269	Controller, MKIV RII Retro	1	1
2		7930337	Screw, Hex Head Cap with Patch (5/16-18 x 1-1/4")	25	2
3		1028769	Locknut (5/16-18)	1	2
4		1018739	Washer (1/4 x 5/8 x 3/32")	1	1
5		1008495	Screw, Socket Button Head (1/4-20 x 1-1/2")	1	2
6		40157X019	Spacer, Coved (1/4 x 7/8 x 7/16")	1	1
7		7930323	Package, Locknut (1/4-20)	25	2
8		1052245	Bracket, Controller	1	2
9	H	1109091	Programmer, Remote	1	1
10	I	1020818	Switch, Red Flex Ribbon (Tape) Reset	1	1
10	A,J	1123276	Kit, Switch, Black Egg Reset, with Hook/Loop Adhesive Back Fastener & Attaching Screws (EGSBLK)	1	1
	C	1052248	Hardware, Controller	1	1
	A,D	1064404-NLA	Virtual Service Modem Kit	1	1
	A,E	1091631-NLA	Virtual Service Software Kit	1	1
	A,D	1103051-NLA	MKIV One 2 One Software Kit	1	1
	A,F	1046117-NLA	Printer and Interface	1	1
	A	1095204	Cable, Virtual Service Charger/Modem	1	1
	A	1091980-NLA	Disk, 3.5 H.D. Floppy with V.S. Software	1	1
	A	1091637-NLA	Adaptor, Null Modem	1	1
	A	1091636-NLA	Service Manual - V.S. Software Kit	1	1
	A	1026572-NLA	Paper, Printer	1	1
	A	1027280-NLA	Harness, Printer Wiring	1	1

NOTE: A - Not Shown
 B - After 4/30/00
 C - Includes Items 2-8
 D - Part number 1095204 is available for individual sale.
 E - Part numbers 1091980, 1091637, 1091636, and 1095204 are available for individual sale.
 F - Part numbers 1026572 and 1027280 are available for individual sale.
 G - RII retro controller after 4/30/00 and RII joystick part number (1092610) are direct replacements for joystick/controller part number (1080723).
 H - Remote Programmer part number (1109091) with the dual connectors (3-Pin and 5-Pin) is the only programmer functionable with the new RII joystick part number (1092610).
 I - Before 5/24/04
 J - Not Shown. After 5/23/04 the Egg Reset Switch replaced the Red Flex Ribbon (Tape) Reset Switch

MKIV Sip-N-Puff/Digital Interface and COM12 and COM34



SNPM4 **ON CHAIR**
1038635 **OFF CHAIR**



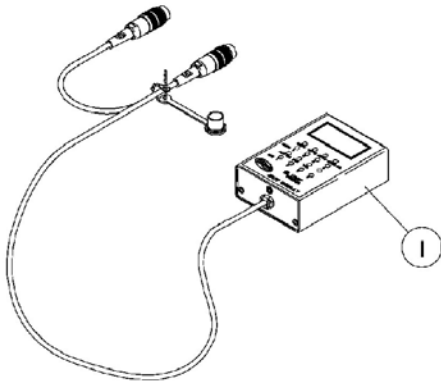
COM12 **ON CHAIR**
1038639 **And** **COM34** **OFF CHAIR**
1086241

MKIV Sip-N-Puff/Digital Interface and COM12 and COM34

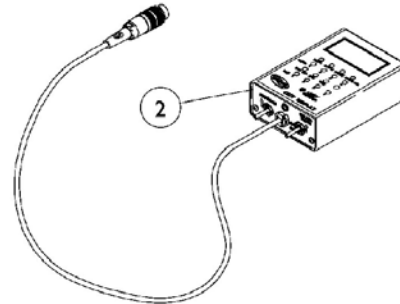
Item Number	Note	Part Number	Description	Quantity Per	
				Package	Assembly
8		1038635	Sip-N-Puff with Digital Interface	1	1
9		1038639	Communication Module, COM12/AUX12	1	1
9		1086241	Communication Module, COM34/AUX34	1	1
10	A	1049592	Kit, COM12/AUX12 and COM34/AUX34 Mounting Hardware	1	1
1			Half Clamp, Threaded Holes	1	1
2			Half Clamp, Non-Threaded Holes	1	1
3			Screw, Hex Head (1/4-20 x 1-1/8")	1	2
4			Fastener, Dual Lock Hook and Loop Adhesive (2" W x 12" L)	1	1
5			Mounting Plate, COM12/AUX12 and COM34/AUX34	1	1
11	B,C	1049593	Kit, SNP/DI, MK5 SAC, 4WSB, S4WSB, GTAM, AUX12M6, AUX34M6 Mtg. Hdw.	1	1
1			Half Clamp, Threaded Holes	1	1
2			Half Clamp, Non-Threaded Holes	1	1
3			Screw, Hex Head (1/4-20 x 1-1/8")	1	2
6			Screw, Phillips Pan Head (#4-40 x 3/8")	1	2
7			Plate, Mounting	1	1

NOTE: A - Mounting hardware includes items 1-5. Item 4 that is packaged with the kit will only be a 4" long "loop" fastener. Hook and Loop Fastener replaced the screws shown when the holes were removed from the communication module 7/1/97
 B - Includes items 1-3 and 6-7
 C - As of 5/22/07 the Mounting Plate holes and the orientation of the Hardware was revised to attach the electronics closer to the chair. The Mounting Hardware Kit is backward compatible.

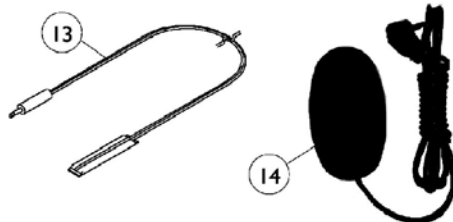
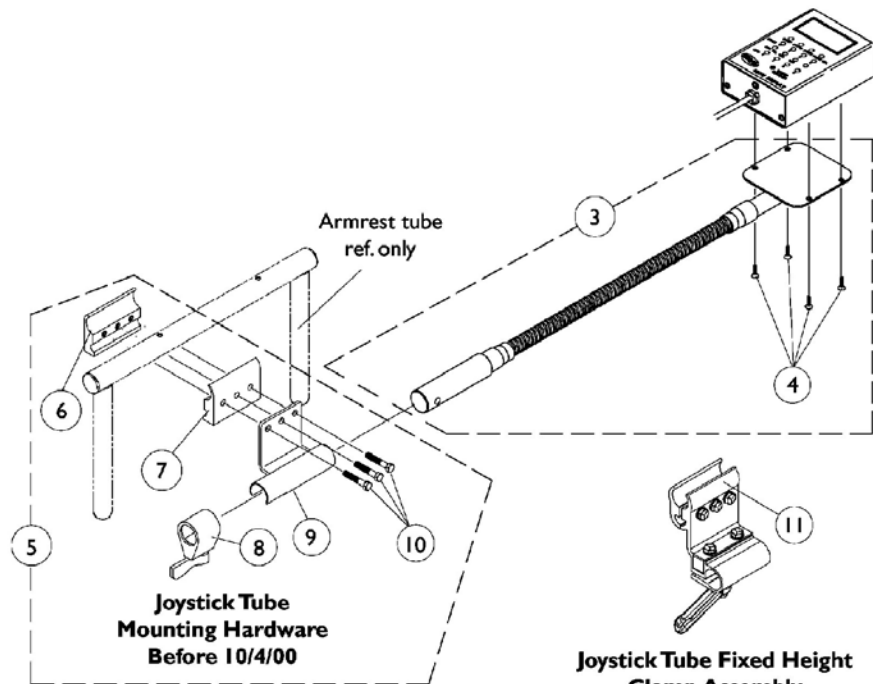
MKIV Displays



1108490
Display without
switches



1108489
Display with switches



**Joystick Tube Fixed Height
Clamp Assembly
After 10/3/00**

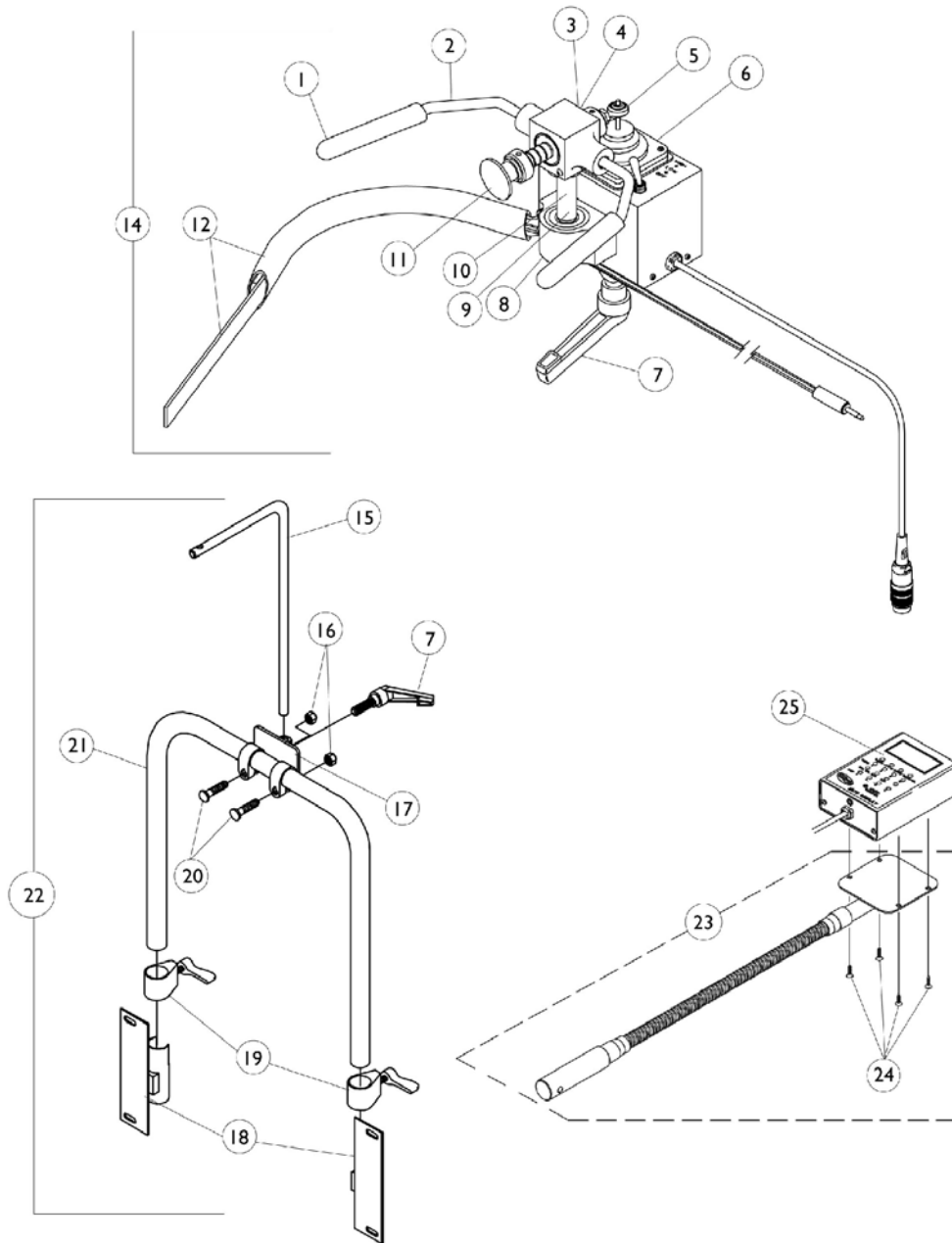
**Joystick Tube Height Adjustable
Clamp Assembly (ARM250)**

MKIV Displays

Item Number	Note	Part Number	Description	Quantity Per	
				Package	Assembly
1		1108490	Display without Switches	1	1
2		1108489	Display with Switches	1	1
3	A	1049594	Flex Tube with Screws	1	1
4		1052041	Screw, Phillips Pan Head (#4-40 x 3/8")	1	4
5	B	1049591	Hardware, Joystick Tube Mounting	1	1
6		1027267	Half Clamp, Threaded Holes	1	1
7		1027266	Half Clamp, Non-Threaded Holes	1	1
8		1027274	Lock, Adjustment (Black)	1	1
9		1049582	Bracket, Joystick Mounting	1	1
10		16690X004	Screw, Hex Head (1/4-20 x 1-1/8")	1	3
11	C	1093071	Clamp, Fixed Height Joystick Tube	1	1
12	F	1139422	Clamp, Height Adjustable Joystick Tube (ARM250)	1	1
13	D	1020818	Switch, Red Flex Ribbon (Tape) Reset	1	1
14	E	1123276	Kit, Switch, Black Egg Reset, with Hook/Loop Adhesive Back Fastener & Attaching Screws (EGSBLK)	1	1

NOTE: A - Includes the Flex Tube and item 4
 B - Before 10/4/00 and includes items 6-10
 C - After 10/3/00 and can be used as a direct replacement for the Joystick Tube Mounting Hardware part number 1049591 in the field
 D - Before 5/24/04
 E - After 5/23/04 the Egg Reset Switch replaced the Red Flex Ribbon (Tape) Reset Switch
 F - Introduced 10/31/05 as option (ARM250) and can be used to replace a Fixed Height Joystick Tube Clamp in the field.
 Individual components are non-saleable

MKIV R.I.M. Head Control Assembly (1500) (Before 8/16/95)

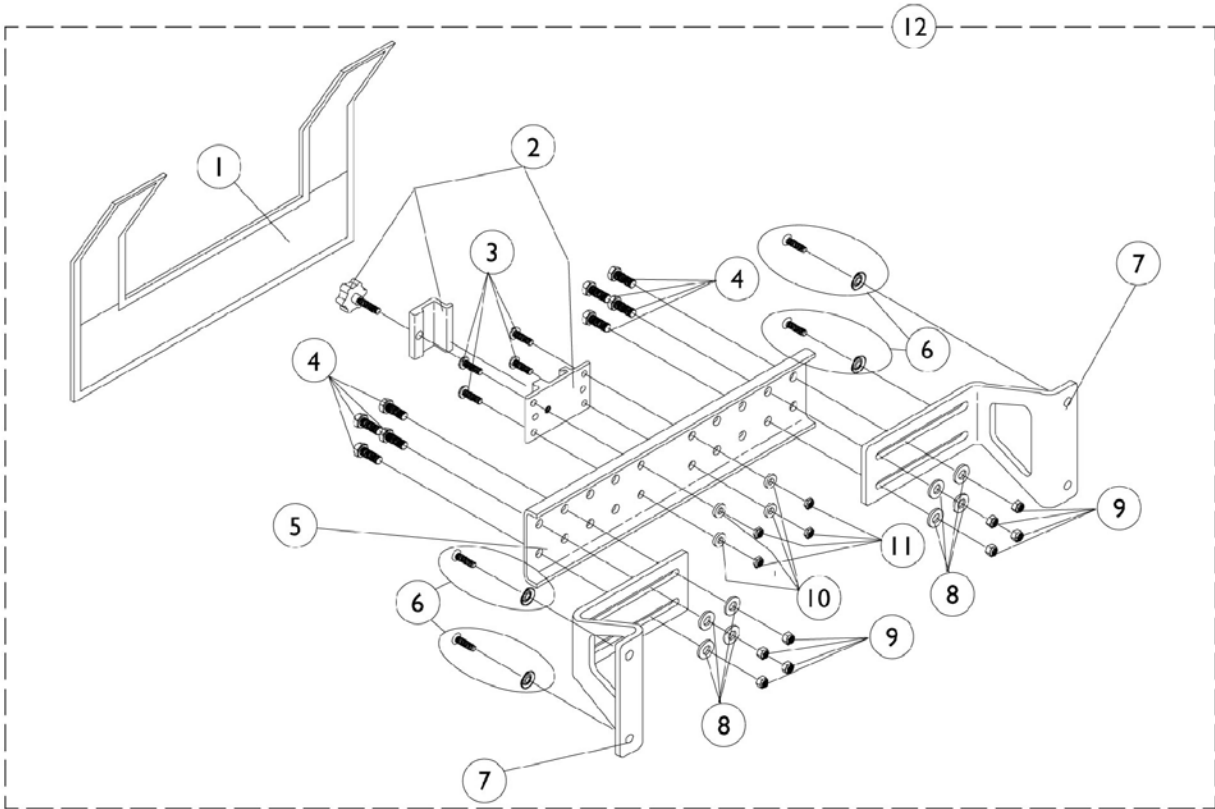


MKIV R.I.M. Head Control Assembly (1500) (Before 8/16/95)

Item Number	Note	Part Number	Description	Quantity Per	
				Package	Assembly
1		1025258	Rod, Cushion	1	1
2		1025263-NLA	Bar, Control	1	1
3		1025241-NLA	Block, Bearing	1	1
4	E	1010042	Switch, Toggle SPDT	1	1
5		1001625	Tie Rod End	1	1
6		1028914	Switch, Hi / Lo / Off (Black)	1	1
7		1022420-NLA	Handle, Rim Control	1	1
8		40314X003	Spring Clip, Rotor	1	1
9		1025269-NLA	Bearing, Pillow Block	1	1
10		1025238-NLA	Rod, Pivot	1	1
11	A	1025270-NLA	Push Rod Assembly	1	1
11		1016428	Guard, Axle	1	1
12		1025271	Ribbon Reset Switch and Bracket	1	1
13		1018113	Linear Bearing	1	1
14		1038633	Remote Joystick	1	1
15		1025248-NLA	Rod, Joystick Mounting	1	1
16		7930363	Package, Locknut (5/16"-24)	25	4
17		1025250-NLA	Bracket, Rod Mounting	1	1
18		1025245	Bracket, Upright -Right	1	1
18		1025246	Upright Bracket - Left	1	1
19		1027274	Lock, Adjustment (Black)	1	2
20		1031026	Screw w/ Lug (5/16-24 x 1-3/8")	1	4
21	B	1025277-NLA	Tube, Support Upright	1	1
21	C	1025276	Tube, Support Upright	1	1
21	D	1025278	Tube, Support Upright	1	1
22	B	1025281-NLA	Hardware Assembly, Rim Control	1	1
22	C	1025265-NLA	Hardware Assembly, Rim Control	1	1
22	D	1025266-NLA	Hardware Assembly, Rim Control	1	1
23		1049594	Flex Tube with Screws	1	1
24		7930339	Screw, Phillips Pan Head (#4-40 x 3/8")	25	4
25		1108490	Display without Switches	1	1

NOTE: A - Includes: push rod cap, collar with set screw, spring push rod, nut, and tie rod end.
 B - 12" Wide Chairs
 C - 14" Wide Chairs
 D - 16" Wide Chairs
 E - Black Switch is no longer available. The Chrome Switch part number 1010042 serves as a direct replacement

MKIV R.I.M. Head Control Mounting Hardware (1500M4) (After 8/15/95)

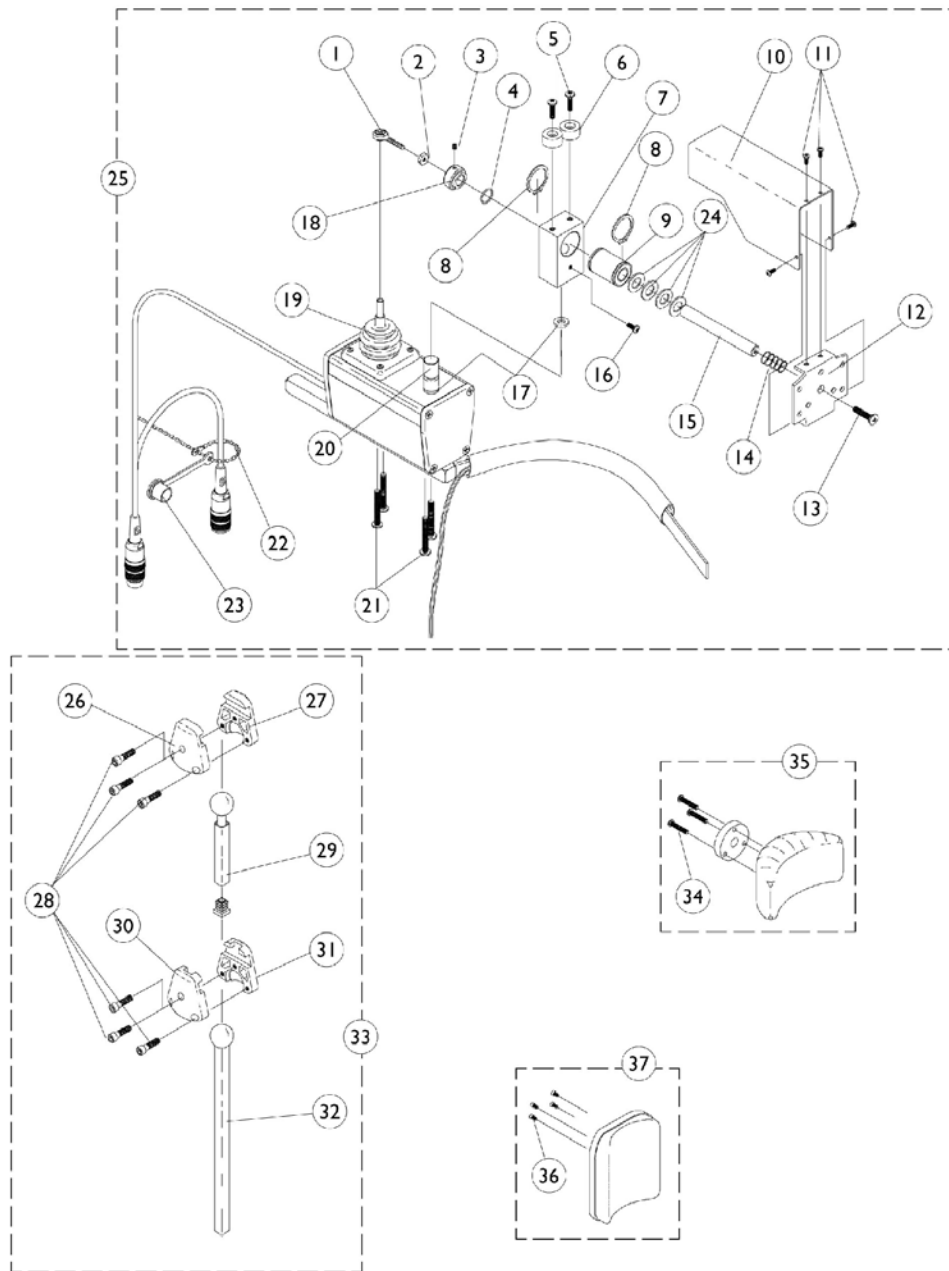


MKIV R.I.M. Head Control Mounting Hardware (1500M4) (After 8/15/95)

Item Number	Note	Part Number	Description	Quantity Per	
				Package	Assembly
1	A	1055149	Nylon Cover	1	1
2		1055148	Clamp with Knob, Two-Piece	1	1
3		1003645	Screw, Socket Button Head (#10-32 x 3/4")	1	4
4		7930326	Screw, Hex Head (1/4-20 x 3/4")	25	8
5	A	1054931	Bracket, Attaching - 12-18" Wide	1	1
6		1031095	Screws with Washers (#10-16 x 7/8")	4	1
6		1076284	Screw w/ washer (#10 x 7/8")	1	4
7		1054929	Bracket, Wing	1	2
8		1026907	Washer (1/4 x 1/2 x 1/16")	1	8
9		7930333	Locknut (1/4-20)	1	8
10		1026034	Washer, Nylon (3/16 x 7/16 x 1/8")	1	4
11		7930332	Locknut, High Profile (#10-32)	25	4
12	A	1056347	Rim Control Mounting Hardware (RIMHW) - 12-18" Wide	1	1

NOTE: A - 12-16" Wide

MKIV R.I.M. Head Control Assembly (1500M4) (After 8/15/95)

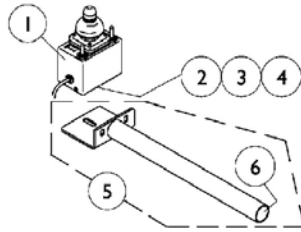


MKIV R.I.M. Head Control Assembly (1500M4) (After 8/15/95)

Item Number	Note	Part Number	Description	Quantity Per	
				Package	Assembly
1		1001625	Tie Rod End	1	1
2		48095X000	Locknut (#10-32)	1	1
3		1025275	Set Screw with Nylock (#8-32 x 1/4")	1	1
4		2001139	O-Ring (1/2" I.D.)	1	1
5		1028529	Screw, Phillips Pan Head (#8-32 x 3/8")	1	2
6		1055002	Washer, Nylon	1	2
7		1056206	Block, Pivot	1	1
8		1054939	Snap Ring	1	2
9		1018113	Linear Bearing	1	1
10		1055014	Shield, Push Rod	1	1
11		7930318	Screw, Phillips Pan Head (#4-40 x 1/2")	25	4
12		1055031	Bracket, Headrest Mounting	1	1
13		40127X002	Screw, Phillips Oval Head (#10-32 x 3/4")	1	1
14		1055145	Spring, Compression	1	1
15		1055016	Push Rod	1	1
16		1026728	Screw, Phillips Pan Head (#6-32 x 1/4")	1	1
17		1010398	Washer, Nylon (1/4 x 1/2 x 1/16")	1	2
18		1025236	Collar, Shoulder	1	1
19		50000X364	Joystick, Boot	1	1
20		1055017	Rod Pivot	1	1
21		11008X014	Screw, Phillips Round Head (#10-32 x 1")	1	1
22		1038256	Wire Tie	1	1
23		1037373	Cover, Splash	1	1
24		1003766	Washer, Plain (1/2 x 1 x 1/8")	1	4
25		1056210	Joystick, Remote Head	1	1
26		1055023	Clamp, Horizontal Pivot	1	1
27		1055024	Clamp, Threaded, Horizontal Pivot	1	1
28		1055144	Screw, Socket Head (M6 x 25)	1	6
29		1055028	Slide Tube, Square, -Short	1	1
30		1055025	Clamp, Vertical Pivot	1	1
31		1055026	Clamp, Threaded, Vertical Pivot	1	1
32		1055027	Slide Tube, Square, -Long	1	1
33		1056213	Hardware, Adjustment	1	1
34		1005383	Screw, Socket Button Head (#10-32 x 1")	1	3
35		1056211	Headrest with Hardware, -Small (Otto Bock)	1	1
36		1056087	Screw, Socket Head (#10-32 x 1/2")	1	4
37		1056212	Headrest with Hardware, - Large (La Bac)	1	1

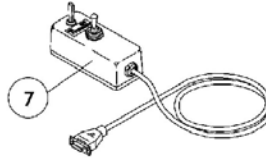
MKIV Joystick Options

REMOTE JOYSTICK



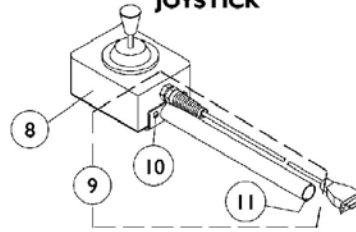
ON CHAIR: 1555M4
 OFF CHAIR: 1038634
 Used with display w/o switches
 1108490

ATTENDANT CONTROL JOYSTICK



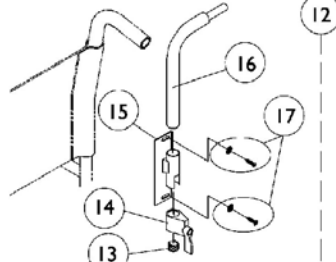
ON CHAIR: 1552M4
 OFF CHAIR: 1025590

HEAVY DUTY JOYSTICK



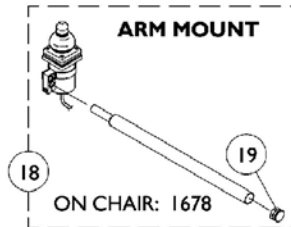
ON CHAIR: 1556M4
 OFF CHAIR: 1041544
 Used with display w/ switches
 1108489

REAR CANE MOUNT



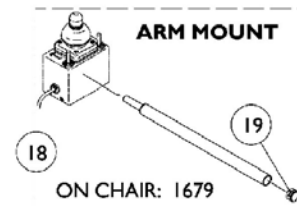
ON CHAIR: 1673

ARM MOUNT



ON CHAIR: 1678

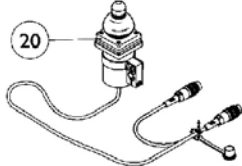
ARM MOUNT



ON CHAIR: 1679

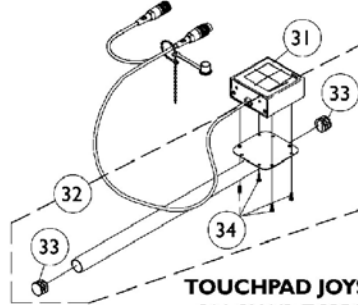
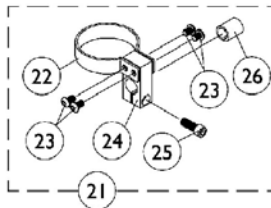
NOTE: Arm mounting tube shown above and additional arm mounting hardware are shipped when the On-Chair model number 1678 or 1679 is ordered.

DUAL/COMPACT JOYSTICK W/ MTG. HARDWARE



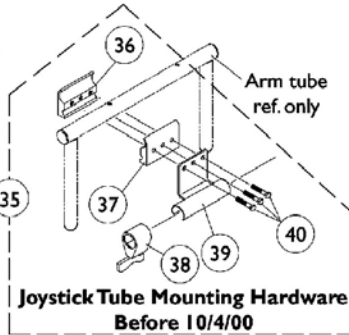
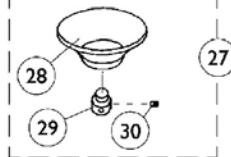
ON CHAIR: 1812M4/1558M4
 OFF CHAIR: 1038638

DUAL/COMPACT JOYSTICK MOUNTING HARDWARE



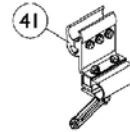
TOUCHPAD JOYSTICK

ON CHAIR: TCPDM4
 OFF CHAIR: 1091353
 Used with display w/ switches
 1108489

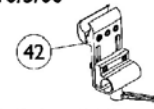


Joystick Tube Mounting Hardware
 Before 10/4/00

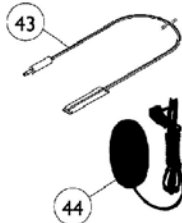
⊗ Reset Switch may be required.



Joystick Tube Fixed Height
 Clamp Assembly
 After 10/3/00



Joystick Tube Height Adjustable
 Clamp Assembly (ARM250)



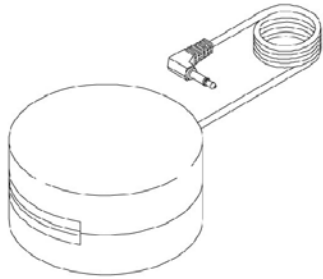
MKIV Joystick Options

Item Number	Note	Part Number	Description	Quantity Per	
				Package	Assembly
1		1038634	Joystick, Remote	1	1
2		1010848	Clamp, Universal Swivel	1	1
3		12595X000	Lock Handle	1	1
4		40204X000	Nut, Hex (1/4-20)	1	1
5		1044928	Joystick Tube with Plug Button	1	1
6		1027095	Plug Button, Black (7/8")	1	1
7		1025590	Joystick, Attendant Control (1552M)	1	1
8		1041544-NLA	Joystick, Heavy Duty	1	1
9	A	1052719	Kit, Straight Joystick Tube with Hardware	1	1
10		1016401	Screw, Phillips Round Head (#10-32 x 3/8")	1	3
11		1027095	Plug Button, Black (7/8")	1	1
12	B	1044917	Hardware, Rear Cane Mount (1673/RCM)	1	1
13		1027095	Plug Button, Black (7/8")	1	1
14		1027274	Lock, Adjustment (Black)	1	1
15		1025245	Bracket, Upright -Right	1	1
16		1044918	Joystick Tube	1	1
17		1076284	Screw w/ washer (#10 x 7/8")	2	1
18	C	1052309	Arm Mount Tube with Plug Button	1	1
19		1027095	Plug Button, Black (7/8")	1	1
20		1038638	Joystick, MKIV Dual/Compact	1	1
21	D	1108012	Hardware, Dual/Compact Joystick Clamp Mounting	1	1
22		1025048	Clamp	1	1
23		1021460	Screw, Socket Button Head (#10-32 x 5/16")	1	4
24		1025045	Clamp, Mounting	1	1
25		1027089	Screw, Socket Head Cap (#10-24 x 1/2")	1	1
26		1026273	Spacer, Split (3/8" I.D.)	1	1
27	E	1020392	Chin Cup Assembly (1826)	1	1
28		1017545	Chin Cup	1	1
29		1017612	Screw, Adaptor	1	1
30		90032X000	Screw, Socket Set (#8-32 x 1/4")	1	2
31		1091353	Touchpad, Joystick Assembly	1	1
32	F	1092604	Kit, Straight Joystick Tube with Hardware	1	1
33		1027095	Plug Button, Black (7/8")	1	2
34		1052041	Screw, Phillips Pan Head (#4-40 x 3/8")	1	4
35	G	1049591	Hardware, Joystick Tube Mounting	1	1
36		1027267	Half Clamp, Threaded Holes	1	1
37		1027266	Half Clamp, Non-Threaded Holes	1	1
38		1027274	Lock, Adjustment (Black)	1	1
39		1049582	Bracket, Joystick Mounting	1	1
40		16690X004	Screw, Hex Head (1/4-20 x 1-1/8")	1	3
41	H	1093071	Clamp, Fixed Height Joystick Tube	1	1
42	I	1139422	Clamp, Height Adjustable Joystick Tube (ARM250)	1	1
43	J	1020818	Switch, Red Flex Ribbon (Tape) Reset	1	1

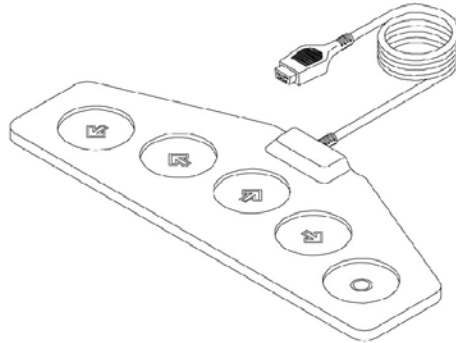
MKIV Joystick Options

Item Number	Note	Part Number	Description	Quantity Per	
				Package	Assembly
44	K	1123276	Kit, Switch, Black Egg Reset, with Hook/Loop Adhesive Back Fastener & Attaching Screws (EGSBLK)	1	1
	L	1108489	Display with Switches	1	1
	M	1108490	Display without Switches	1	1
<p>NOTE: A - Includes the joystick tube and items 10 and 11 B - Includes items 13-17 C - For On-Chair model numbers 1678 and 1679. Includes the joystick tube and item 19 D - Includes items 22-26 E - Includes items 28-30 F - Includes the joystick tube, items 33 and 34 G - Before 10/4/00 and includes items 36-40 H - After 10/3/00. Individual components are non-saleable. Can be used as a direct replacement in the field for the Joystick Tube Mounting Hardware part number 1049591. I - Introduced 10/31/05 as option (ARM250) and can be used to replace a Fixed Height Joystick Tube Clamp in the field. Individual components are non-saleable J - Before 5/24/04 K - After 5/23/04. The Egg Reset Switch replaced the Red Flex Ribbon (Tape) Reset Switch L - Not Shown and used with the Heavy Duty and Touch Pad Joystick M - Not Shown and used with the Remote Joystick</p>					

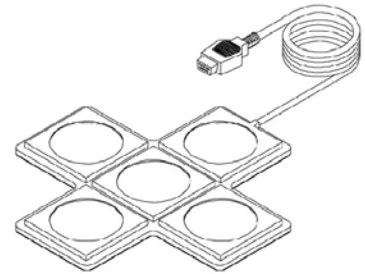
Tash and Therafin Accessories



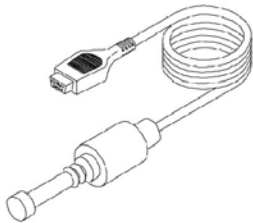
P5820 - Red Soft Switch
P5821 - Green Soft Switch



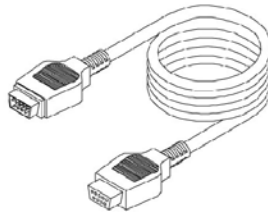
⊕ P5018 - Wafer Board



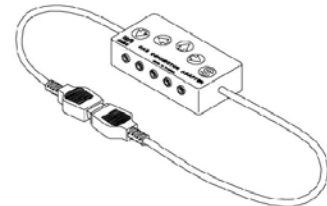
⊕ P5026 - Star Control



⊕ P5020 - Mini Joystick with Push



P4337 - Multi-Ability Cable



P4353 - CA5 Multi-Connector Box

⊕ *Must be used with display w/ switches (1108489)*

Tash and Therafin Accessories

Therafin (Not Shown)

Item Number	Note	Part Number	Description	Quantity Per	
				Package	Assembly
		P5820	Switch, Red Soft	1	1
		P5821	Switch, Green Soft	1	1
	B	P5018	Wafer Board (5018)	1	1
	B	P5026	Star Control	1	1
	B	P5020	Mini Joystick with Push (5020)	1	1
		P4337	Multi-Ability Cable	1	1
		P4353	CA5 Multi-Connector Box	1	1
	C	1142362	Bib Assembly (PKG32669)	1	1
	C	P21456	Adaptor Clamp - Tash	1	1
	C	P21457	Adaptor Clamp - Invacare	1	1
	C	P21460	Midline Swingway System	1	1
	A,C	1140824	Sip-N-Puff, 16" Fixed (PKG32666) Includes: 3 Air Tube Straws, 2 Saliva Traps, Tubing, Pivot Shaft/Flexible Metal Gooseneck Assembly, and Extruded Figure "8" Clamp to fit 7/8" Wheelchair Frame Tubing. Extruded Back Cane Adapter Clamp also included.	1	1
<p>NOTE: A - Includes 3 air tube straws, 2 saliva traps, tubing, pivot shaft/flexible metal gooseneck assembly and extruded figure 8 clamp to fit 7/8" wheelchair frame tubing. B - Must be used with display with switches (1108489) C - Not Shown</p> <p>NOTE: For more information on Tash and Therafin products, please contact one of our Rehab Specialists.</p>					

Power Wheelchair Tool Kit

1



Multimeter with Leads



Grounding Wire



1" Test Leads



Protractor/Angle Locator



Invacare Pen Light



Invacare Tape Measure



Invacare Phillips/Flat Head Screwdriver



MKIV Programmer



Virtual Service Charger Cable

Power Wheelchair Tool Kit

Item Number	Note	Part Number	Description	Quantity Per	
				Package	Assembly
1		1125222	Kit, Power Wheelchair Tool Includes: 1 ea. Multimeter with Leads 1 ea. Locator, Protractor/Angle Magnetic Base 1 ea. Instructions, MKIV Programmer 1 ea. Wire, Grounding with Hand Strap and Clip 1 ea. Leads, 1" Test 1 ea. Light, Pen with Invacare Logo 1 ea. Tape Measure, Compact with Invacare Logo 1 ea. Screwdriver, Pen-Size Phillips/Flat Head 1 ea. Cable, Virtual Service Charger/Modem	1	1

Miscellaneous Accessories

Positioning Straps

Description	Chair Width 12"-15" Wide	Chair Width 16" Wide
Auto Style Push Button	1036527	1004310
	See Note(s) A	
Airline Style	N/A	1034625.
Hook and Loop (Chest Only)	1034745	1034745

NOTE: A - 12"-15" wide positioning straps come in rainbow color.

Item Number	Note	Part Number	Description	Quantity Per	
				Package	Assembly
	A	40176X010	Tire Pump	1	1
	A	See Chart	Miscellaneous Accessories	1	1

NOTE: A - Not Shown

Invacare Corporation

www.invacare.com



Yes, you can.™

One Invacare Way
Elyria, Oh USA
44036-2125
800-333-6900

Technical Support
800-832-4707
Florida Technical Support
407-321-5630

Customer Service
800-333-6900

©2008 Invacare Corporation. Elyria, Ohio.
All rights reserved. Trademarks are identified by the symbols™ and®. All trademarks are owned by or licensed to Invacare Corporation unless otherwise noted. Otto Bock is a registered trademark of Otto Bock Orthopaedische Industrie GMBH & Co.. Tash is a registered trademark of Tash International Inc.. Therafin is a registered trademark of W/R/ Medical Electronics Co.. Bussman is a registered trademark of Cooper Industries. MIDI is a registered trademark of Littelfuse Inc.. Dynamic is a registered trademark of Dynamic Controls Limited. (Revised 5/27/08)

Form No. 93-37

Free Manuals Download Website

<http://myh66.com>

<http://usermanuals.us>

<http://www.somanuals.com>

<http://www.4manuals.cc>

<http://www.manual-lib.com>

<http://www.404manual.com>

<http://www.luxmanual.com>

<http://aubethermostatmanual.com>

Golf course search by state

<http://golfingnear.com>

Email search by domain

<http://emailbydomain.com>

Auto manuals search

<http://auto.somanuals.com>

TV manuals search

<http://tv.somanuals.com>