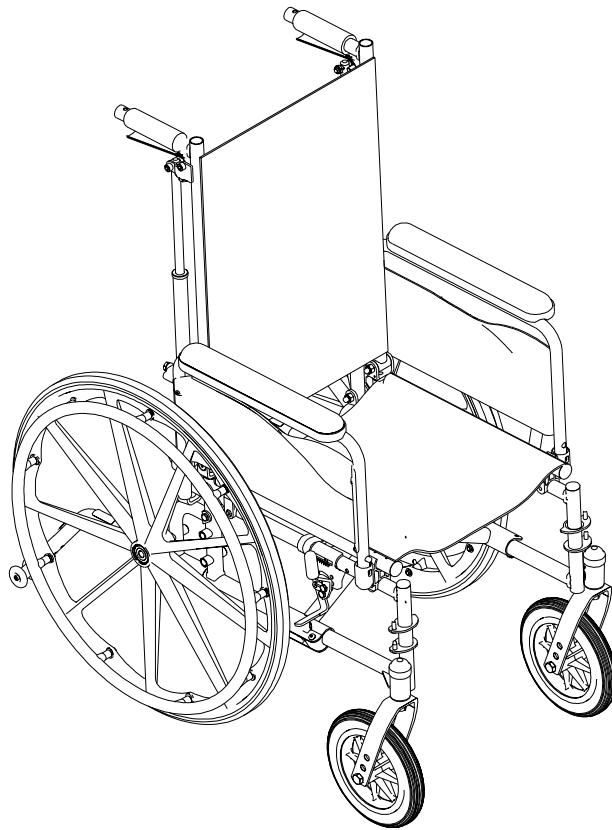


Tracer[®] SX5

Tracer[®] SX5 Recliner



DEALER: THIS MANUAL MUST BE GIVEN TO THE USER OF THE WHEELCHAIR.

USER: BEFORE USING THIS WHEELCHAIR, READ THIS MANUAL AND SAVE FOR FUTURE REFERENCE.



Yes, you can.™

WARNING

DO NOT OPERATE THIS EQUIPMENT WITHOUT FIRST READING AND UNDERSTANDING THIS MANUAL. IF YOU ARE UNABLE TO UNDERSTAND THE WARNINGS, CAUTIONS, AND INSTRUCTIONS, CONTACT A HEALTHCARE PROFESSIONAL, DEALER OR A QUALIFIED TECHNICIAN BEFORE ATTEMPTING TO USE THIS EQUIPMENT - OTHERWISE INJURY OR DAMAGE MAY RESULT.

WARNING

SAVE THESE INSTRUCTIONS

TABLE OF CONTENTS

SPECIAL NOTES	5
LABEL LOCATIONS	6
SPECIFICATIONS	7
SECTION 1 - GENERAL GUIDELINES	8
INFORMATION FOR HEALTHCARE PROFESSIONALS/ASSISTANTS	8
STABILITY - ALL MODELS	9
STABILITY - NON-RECLINER MODELS ONLY	9
STABILITY - RECLINER MODELS ONLY	10
OPERATING INFORMATION	10
TIRE PRESSURE	12
WEIGHT TRAINING	12
WEIGHT LIMITATION	12
SAFETY/HANDLING OF WHEELCHAIRS	13
SECTION 2 - SAFETY INSPECTION	20
SAFETY INSPECTION CHECKLIST	20
TROUBLESHOOTING	21
MAINTENANCE	21
SECTION 3 - FRONT RIGGINGS	23
INSTALLING/REMOVING THE FOOTREST	23
FOOTREST HEIGHT ADJUSTMENT	24
HEEL LOOP REPLACEMENT	24
RAISING/LOWERING THE ELEVATING LEGREST ASSEMBLY	25
SECTION 4 - ARMS	26
USING OR REPLACING FLIP-BACK ARMREST	26
ADJUSTING ARMREST HEIGHT	27
SECTION 5 - SEAT AND BACK	28
INSTALLING THE BACK CANES	28
REPLACING BACK UPHOLSTERY	29
REPLACING SEAT UPHOLSTERY	29
ADJUSTING SEAT DEPTH	30
ADJUSTING THE SEAT WIDTH	31
SECTION 6 - REAR WHEELS	33
REMOVING/INSTALLING THE REAR WHEELS	33
ADJUSTING THE QUICK-RELEASE AXLE	35
REPLACING REAR WHEEL HANDRIM	36
REPLACING/REPAIRING REAR WHEEL TIRE/TUBE	36
SECTION 7 - FRONT CASTERS	37
INSTALLING/REPLACING FORK ASSEMBLIES	37
ADJUSTING FORKS	38
REPLACING FRONT CASTERS	39
REPLACING/REPAIRING FRONT CASTER TIRE/TUBE	39

SECTION 8 - ANTI-TIPPERS/WHEEL LOCKS	40
INSTALLING/ADJUSTING THE ANTI-TIPPERS	40
WHEEL LOCK ADJUSTMENT	42
SECTION 9 - SEAT-TO-FLOOR HEIGHT	43
CHANGING SEAT-TO-FLOOR HEIGHT	43
SECTION 10 - RECLINER	46
RECLINER OPERATION	46
REPLACING THE HEADREST PILLOW	48
REPLACING THE HEADREST/BACK UPHOLSTERY	48
REMOVING/INSTALLING THE SPREADER BAR	49
REMOVING AND INSTALLING ARMREST	49
REMOVING/INSTALLING THE REAR WHEELS	50
SECTION 11 - OPTIONS	51
INSTALLING THE AMPUTEE BRACKET	51
INSTALLING THE SEAT POSITIONING STRAP	52
INSTALLING THE CRUTCH AND CANE CARRIER	53
INSTALLING THE TELESCOPING I.V. ROD	54
LIMITED WARRANTY	56

SPECIAL NOTES

WARNING/CAUTION notices as used in this manual apply to hazards or unsafe practices which could result in personal injury or property damage.

NOTICE

THE INFORMATION CONTAINED IN THIS DOCUMENT IS SUBJECT TO CHANGE WITHOUT NOTICE.

WHEELCHAIR USER

As a manufacturer of wheelchairs, Invacare endeavors to supply a wide variety of wheelchairs to meet many needs of the end user. However, final selection of the type of wheelchair to be used by an individual rests solely with the user and his/her healthcare professional capable of making such a selection.

WHEELCHAIR TIE-DOWN RESTRAINTS AND SEAT RESTRAINTS

Invacare recommends that wheelchair users **NOT** be transported in vehicles of any kind while in wheelchairs. As of this date, the Department of Transportation has not approved any tie-down systems for transportation of a user while in a wheelchair, in a moving vehicle of any type.

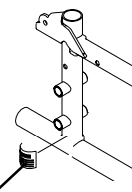
It is Invacare's position that users of wheelchairs should be transferred into appropriate seating in vehicles for transportation and use be made of the restraints made available by the auto industry. Invacare cannot and does not recommend any wheelchair transportation systems.

AS REGARDS RESTRAINTS - SEAT POSITIONING STRAPS - IT IS THE OBLIGATION OF THE DME DEALER, THERAPISTS AND OTHER HEALTHCARE PROFESSIONALS TO DETERMINE IF A SEATING RESTRAINT IS REQUIRED TO ENSURE THE SAFE OPERATION OF THIS EQUIPMENT BY THE USER. SERIOUS INJURY CAN OCCUR IN THE EVENT OF A FALL FROM A WHEELCHAIR.

LABEL LOCATIONS

LABEL LOCATIONS

MODELS WITH QUICK-RELEASE AXLES ONLY

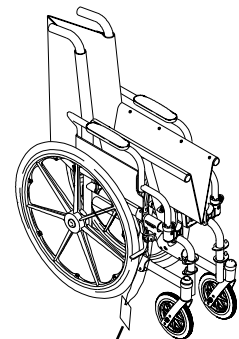
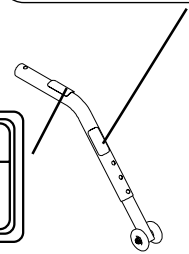


WARNING
 DETENT BALLS MUST BE SECURELY SEATED IN RECESSED AREAS OF AXLE BUSHINGS. ENSURE THAT PLUNGER PIN IN HEAD END OF AXLE IS FULLY RELEASED. KEEP DETENT BALLS CLEAN.

1001948

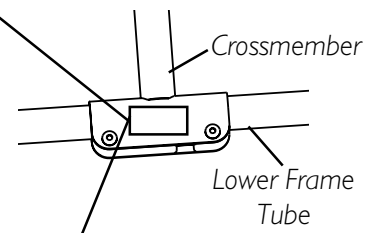
WARNING
 Refer to Owner's Manual for proper anti-tipper setting. 1085379

WARNING
 DO NOT OPERATE WITHOUT THE ANTI-TIP TUBES INSTALLED. P/N 60106X144
REV. 5/98



WEIGHT CAPACITY 250 LBS. (114 kgs.)
 REFER TO OWNER'S MANUAL
P/N 1111013

14 TO 18-INCH WIDE WHEELCHAIRS (ONLY)



WEIGHT CAPACITY 300 LBS. (136 kgs.)
 REFER TO OWNER'S MANUAL
P/N 1111016

20 TO 22-INCH WIDE WHEELCHAIRS (ONLY)

IMPORTANT NOTICE

The wheel locks on this wheelchair have been pre-set at the factory to comply with the Veterans Administration functional Standard 8320.01 of the Federal Register, paragraph 3.2.4.5.3. If these wheel locks do not meet your needs, follow instructions below.

CAUTION

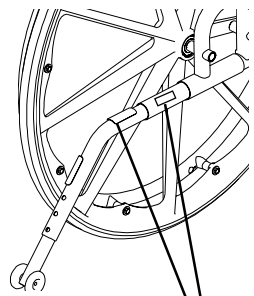
Any wheel lock adjustments should embed wheel lock shoe at least 1/8" into tire when locked (3/16" on pneumatic tires).

INSTRUCTIONS FOR WHEEL LOCK ADJUSTMENTS

- Loosen wheel lock mounting fastener, which runs through mounting bracket and frame.
- Slide clamp toward rear wheel until wheel lock shoe is embedded into tire material at least 1/8" when handle is engaged to the lock position (3/16" for pneumatic tires).
- Tighten mounting fastener to secure mounting bracket in desired location and recheck lock shoe embedding.
- Inspect for correct locking action BEFORE actual use.

00078X021-0394

RECLINER MODELS ONLY



WARNING
 DO NOT OPERATE WITHOUT THE ANTI-TIP TUBES INSTALLED. P/N 60106X144
REV. 5/98

SPECIFICATIONS

SPECIFICATIONS

TRACER SX5 RECLINER		TRACER SX5	
Overall Width:	22-1/2, 24-1/2, 26-1/2, 28-1/2, or 30-1/2-inches		
Overall Depth: (Without Front Riggings)	34-inches	30-1/4-inches	
Seat Width:	14, 16, 18, 20 or 22-inches		
Seat Depth:	16 and 18-inches		
SEAT-TO-FLOOR** (With 24-inch Wheels)			
Adult:	19-1/2-inches		
Hemi:	N/A	17-1/2-inches	
Back Height:	23-inches (34-inches with headrest)	16 or 18-inches	
Arm Styles:	Fixed or Adjustable Height Desk or Full Length Removable	Fixed or Adjustable Height Desk or Full Length Flip Back	
Front Riggings:	Swingaway Footrests and Elevating Legrests		
Rear Axle:	Permanent	Permanent* and Quick-Release	
Rear Wheels:	20, 22 and 24*-inch Composite* Urethane*, Pneumatic or Pneumatic-Flat Free Insert		
Handrims:	Composite*, Chrome Plated Steel, Black Painted Aluminum		
Wheel Locks:	High Mount, Push or Pull to Lock		
Caster Size:	8x1-1/4-inch Urethane*, 8x1-1/4-inch Pneumatic or Pneumatic-Flat Free Insert 8x1-3/4-inch Semi Pneumatic (standard on 20 and 22-inch width chairs.)	6 x 1-inch Urethane, 8x1-inch Urethane, 8x1-inch Solid Rubber* and 8x1-1/4-inch Pneumatic or Pneumatic-Flat Free Insert, 8x1-3/4-inch Semi Pneumatic (standard on 20 and 22-inch width chairs.)	
Upholstery:	Vinyl	Black Nylon	
Frame Colors:	Chrome	Chrome	
Weight***:	51 pounds	33-3/4 pounds	
Shipping Weight**** (approx.):	61 pounds	43-1/2 pounds	

* *NOTE: These options are standard for this model.*

** *NOTE: The seat-to-floor heights are based on urethane tires. If wheelchair is equipped with pneumatic (properly inflated) or solid rubber tires, add 1/4-inch to the measurements listed above. These heights can vary +/- 1/4-inch due to tire wear and manufacturing tolerances.*

****NOTE: Weights based on 18 x 16-inch wheelchair without front riggings. Weights will vary depending on how wheelchair is equipped.*

Section I - General Guidelines includes the following:

Information for healthcare Professionals/Assistants

Stability - All Models

Stability - Recliner Option ONLY

Operating Information

Weight Training

Weight Limitation

Safety/Handling of Wheelchairs

INFORMATION FOR HEALTHCARE PROFESSIONALS/ ASSISTANTS

WARNING

TO HEALTHCARE PROFESSIONALS/ASSISTANTS:

The Tracer SX Recliner wheelchair **MUST** be operated by a healthcare professional or assistant when in **ANY** reclined position.

Make sure the patient is properly positioned in the wheelchair before reclining or inclining (reverse recline) to maintain maximum stability and safety.

Assistants **MUST** be prepared to support the weight of the occupant when reclining, or returning the occupant of the wheelchair to the full upright position. Make sure to use proper body mechanics (use your legs) or seek assistance if necessary to avoid injury.

ALWAYS engage both wheel locks while reclining or inclining (reverse recline) the wheelchair.

Make sure occupant's and bystanders' hands and body are clear of all pinch points before reclining back. Use caution, otherwise injury may occur.

STABILITY - ALL MODELS**WARNING**

The seat depth, size/position of the front casters, size/position of the rear wheels, use of an anti-tipper model, as well as the user condition directly relate to the stability of the wheelchair. Any change to one (1) or any combination of the seven (7) may cause the wheelchair to decrease in stability. These adjustments **MUST** be performed by a qualified technician.

	Seat Depth	Caster Size	Caster Position	Wheel Size	Wheel Position	Anti-Tippers	User Condition
Seat Depth	•	✓	✓	✓	✓	N/A	✓
Caster Size	N/A	•	✓	✓	✓	✓	✓
Caster Position	N/A	✓	•	✓	✓	✓	✓
Wheel Size	N/A	✓	✓	•	✓	✓	✓
Wheel Position	N/A	✓	✓	✓	•	✓	✓
User Condition	✓	✓	✓	✓	✓	✓	•

NOTE: When changes to the left hand column occur, follow across the chart and refer to the procedure that is checked (✓) to maintain the proper stability, safety and handling of the wheelchair.

Seat-to-floor heights have specific positions depending on rear wheel size, rear wheel position, front caster size and front caster position. These adjustments **MUST be performed by a qualified technician.**

Anti-tippers are specific to the different seat-to-floor heights. Refer to the chart in INSTALLING/ADJUSTING THE ANTI-TIPPERS in SECTION 8 of this manual for correct usage and adjustment. If these requirements cannot be achieved, do not use the wheelchair. Contact a qualified technician.

If changing the seat-to-floor height the correct anti-tippers **MUST be ordered to maintain a 1-1/2 to 2-inch ground clearance.**

Anti-tippers **MUST be fully engaged. Ensure that the release button of the anti-tipper fully protrudes out of the hole on the bottom of the wheelchair frame.**

Ensure both anti-tippers are adjusted to the same height.

STABILITY - NON-RECLINER MODELS ONLY**WARNING**

Anti-tippers **MUST BE attached at all times. Inasmuch as the anti-tippers are an option on this wheelchair (you may order with or without the anti-tippers), Invacare strongly recommends ordering the anti-tippers as an additional safeguard for the wheelchair user.**

STABILITY - RECLINER MODELS ONLY**WARNING**

ALWAYS make sure that the wheelchair is stable in the full reclined (back at 180°) position and the full upright (back at 90°) position **BEFORE** using the recliner option.

Anti-tippers **MUST BE** attached at all times.

ALWAYS engage both wheel locks while reclining or inclining (reverse recline) the wheelchair.

Make sure detent pin of the spreader bar is completely extended through the hole in the handle **BEFORE** using the wheelchair.

Make sure both back canes are at the same angle **BEFORE** releasing the handles of the recline mechanisms.

Mount the rear wheels in the **Rear Wheel Offset Bracket ONLY**. **NEVER** reposition the rear wheels to the forward position, the stability of the wheelchair will decrease.

Before using the recliner option, the anti-tippers **MUST** be installed and properly adjusted. Refer to **INSTALLING/ADJUSTING THE ANTI-TIPPERS** in **SECTION 8** of this manual.

Always return the back to the upright (back at 90°) position before lifting the wheelchair.

OPERATING INFORMATION**WARNING**

All service and adjustments should be performed while the wheelchair is unoccupied.

After **ANY** adjustments, repair or service and **BEFORE** use, make sure all attaching hardware is tightened securely - otherwise injury or damage may result.

To determine and establish your particular safety limits, practice bending, reaching and transferring activities in several combinations in the presence of a qualified healthcare professional **BEFORE** attempting active use of the wheelchair.

ALWAYS wear your Seat Positioning Strap. Inasmuch as the **SEAT POSITIONING STRAP** is an option on this wheelchair (You may order with or without the Seat Positioning Strap), Invacare strongly recommends ordering the Seat Positioning Strap as an additional safeguard for the wheelchair user.

ALWAYS verify that hand grips on the rear cane are secure prior to use when an assistant is used to propel the chair.

WARNING (CONTINUED)

DO NOT sit or transfer into the wheelchair unless the wheelchair is fully open.

DO NOT TRAVERSE, CLIMB or GO DOWN ramps or slopes greater than 9°.

DO NOT operate on roads, streets or highways.

DO NOT attempt to move up or down an incline with a water, ice or oil film.

DO NOT attempt to ride over curbs or obstacles. Doing so may cause your wheelchair to tip over and cause bodily harm to you or damage to the wheelchair.

DO NOT attempt to reach objects if you have to move forward in the seat.

DO NOT attempt to reach objects if you have to pick them up from the floor by reaching down between your knees.

DO NOT lean over the top of the back upholstery. This will change your center of gravity and may cause you to tip over.

DO NOT shift your weight or sitting position toward direction you are reaching as the wheelchair may tip over.

WHEEL LOCKS ARE NOT BRAKES. DO NOT attempt to stop a moving wheelchair with the wheel locks.

DO NOT tilt the wheelchair without assistance.

DO NOT use an escalator to move a wheelchair between floors. Serious bodily injury may occur.

Before attempting to transfer in or out of the wheelchair, every precaution should be taken to reduce the gap distance. Turn both casters parallel to the object you are transferring onto. When transferring to and from the wheelchair, **ALWAYS ENGAGE BOTH WHEEL LOCKS.**

DO NOT use parts, accessories, or adapters other than those authorized by Invacare.

DO NOT attempt to lift the wheelchair by any removable (detachable) parts. Lifting by means of any removable (detachable) parts of a wheelchair may result in injury to the user and/or assistant or damage to the wheelchair.

DO NOT stand on the frame of the wheelchair.

DO NOT use the footplate as a platform. When getting in or out of the wheelchair, make sure that the footplates are in the upward position.

ALWAYS use the handrims for self-propulsion. Inasmuch as the **HANDRIMS** are an option on this wheelchair (you may order with or without the handrims), Invacare strongly recommends ordering the handrims as an additional safeguard for the wheelchair user.

TIRE PRESSURE**WARNING**

DO NOT use your wheelchair unless it has the proper tire pressure (p.s.i.). **DO NOT** overinflate the tires. Failure to follow these instructions may cause the tire to explode and cause bodily harm. The recommended tire pressure is listed on the side wall of the tire.

Replacement of a pneumatic tire or tube **MUST** be performed by a qualified technician.

WEIGHT TRAINING**WARNING**

Invacare **DOES NOT** recommend the use of its wheelchairs as a weight training apparatus. Invacare wheelchairs have **NOT** been designed or tested as a seat for any kind of weight training. If occupant uses said wheelchair as a weight training apparatus, Invacare shall **NOT** be liable for bodily injury and the warranty is void.

WEIGHT LIMITATION**WARNING**

The Tracer SX5 and Tracer SX5 Recliner wheelchairs have the following weight limitations:

WIDTH	WEIGHT
14 to 18-inches	250 lbs. (114 kg.)
20 to 22-inches	300 lbs. (136 kg.)

SAFETY/HANDLING OF WHEELCHAIRS

“Safety and Handling” of the wheelchair requires the close attention of the wheelchair user as well as the assistant. This manual points out the most common procedures and techniques involved in the safe operation and maintenance of the wheelchair. It is important to practice and master these safe techniques until you are comfortable in maneuvering around the frequently encountered architectural barriers.

Use this information only as a “basic” guide. The techniques that are discussed on the following pages have been used successfully by many users.

Individual wheelchair users often develop skills to deal with daily living activities that may differ from those described in this manual. Invacare recognizes and encourages each individual to try what works best for him/her in overcoming architectural obstacles that they may encounter, however ALL WARNINGS and CAUTIONS given in this manual MUST be followed. Techniques in this manual are a starting point for the new wheelchair user and assistant with “safety” as the most important consideration for all.

STABILITY AND BALANCE

WARNING

ALWAYS wear your seat/chest positioning strap. Inasmuch as the SEAT/CHEST POSITIONING STRAP is an option on this wheelchair (You may order with or without the Seat/Chest Positioning Strap), Invacare strongly recommends ordering the Seat/Chest Positioning Strap as an additional safeguard for the wheelchair user.

To assure stability and proper operation of your wheelchair, you must at all times maintain proper balance. Your wheelchair has been designed to remain upright and stable during normal daily activities as long as you do not move beyond the center of gravity.

Virtually all activities which involve movement in the wheelchair have an effect on the center of gravity. Invacare recommends using seat/chest positioning straps for additional safety while involved in activities that shift your weight.

DO NOT lean forward out of the wheelchair any further than the length of the armrests. Make sure the casters are pointing in the forward position whenever you lean forward. This can be achieved by advancing the wheelchair and then reversing it in a straight line.

COPING WITH EVERYDAY OBSTACLES

Coping with the irritation of everyday obstacles can be alleviated somewhat by learning how to manage your wheelchair. Keep in mind your center of gravity to maintain stability and balance.

A NOTE TO WHEELCHAIR ASSISTANTS

When assistance to the wheelchair user is required, remember to use good body mechanics. Keep your back straight and bend your knees whenever tipping the wheelchair or traversing curbs, or other impediments.

WARNING

DO NOT attempt to lift the wheelchair by any removable (detachable) parts. Lifting by means of any removable (detachable) parts of a wheelchair may result in injury to the user or damage to the wheelchair.

Always verify that hand grips on the rear cane are secure **PRIOR** to use when an assistant is used to propel or lift the chair. Check for any signs of looseness or deterioration and if found, contact a qualified technician. **DO NOT** attempt to move the wheelchair by pulling on the hand grips if they are found to be unsecure or have deteriorated.

Also, be aware of detachable parts such as armrests or legrests. These must **NEVER** be used to move the wheelchair or as lifting supports, as they may be inadvertently released, resulting in possible injury to the user and/or assistant(s).

When learning a new assistance technique, have an experienced assistant help you before attempting it alone.

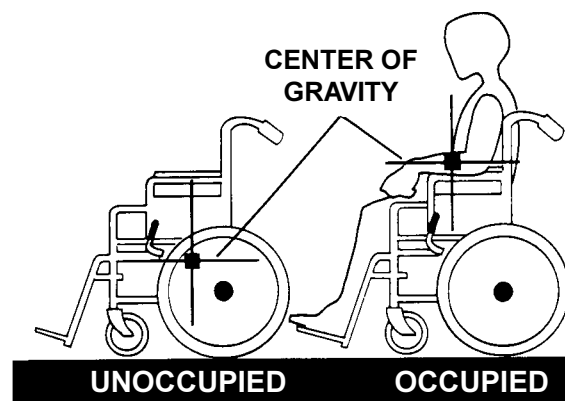
PERCENTAGE OF WEIGHT DISTRIBUTION**WARNING**

DO NOT attempt to reach objects if you have to move forward in the seat or pick them up from the floor by reaching down between your knees.

The seat depth, size/position of the front casters, size/position of the rear wheels, use of an anti-tipper model, as well as the user condition directly relate to the stability of the wheelchair. Any change to one (1) or any combination of the seven (7) may cause the wheelchair to decrease in stability. These adjustments **MUST** be performed by a qualified technician.

Many activities require the wheelchair owner to reach, bend and transfer in and out of the wheelchair. These movements will cause a change to the normal balance, the center of gravity, and the weight distribution of the wheelchair. To determine and establish your particular safety limits, practice bending, reaching and transferring activities in several combinations in the presence of a qualified healthcare professional **BEFORE** attempting active use of the wheelchair.

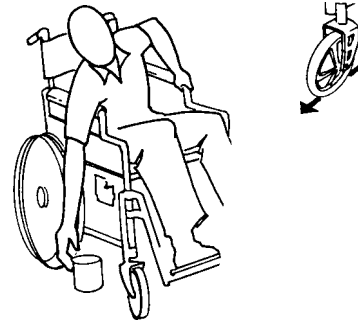
Proper positioning is essential for your safety. When reaching, leaning, or bending forward, it is important to use the front casters as a tool to maintain stability and balance.



Reaching, Leaning and Bending - Forward.**WARNING**

DO NOT attempt to reach objects if you have to move forward in the seat or pick them up from the floor by reaching down between your knees.

Position the front casters so that they are extended as far forward as possible and engage wheel locks.

**Reaching, Leaning - Backwards.****WARNING**

DO NOT lean over the top of the back upholstery. This will change your center of gravity and may cause you to tip over.

Position wheelchair as close as possible to the desired object. Point front casters forward to create the longest possible wheelbase. Reach back only as far as your arm will extend without changing your sitting position.

**TIPPING****WARNING**

DO NOT tip the wheelchair without assistance.

When tipping the wheelchair, an assistant should grasp the back of the wheelchair on a non-removable (non-detachable) part. Inform the wheelchair occupant before tipping the wheelchair and remind him/her to lean back. Be sure the occupant's feet and hands are clear of all wheels and/or pinch points.

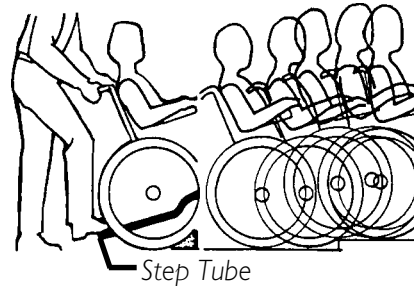
After mastering the techniques of tipping the wheelchair, use one (1) of the following methods to tackle curbs, short stairs, etc.

TIPPING - CURBS: METHOD 1 - WHEELCHAIR WITH STEP TUBES:

Place foot on the step tube and begin to tilt the wheelchair toward you. Apply a continuous downward motion until the balance point is achieved and the front casters clear the curb. At this point, the assistant will feel a difference in the weight distribution.

WARNING

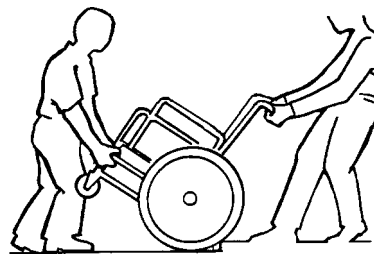
When lowering the front casters of the wheelchair, **DO NOT** let the wheelchair drop the last few inches to the ground. This could result in injury to the occupant and/or damage to the wheelchair.

**METHOD 1 - WHEELCHAIR WITH STEP TUBES**

Roll the wheelchair forward and slowly lower the front of the wheelchair in one continuous movement onto the sidewalk. Do not let the wheelchair drop the last few inches to the ground. This could result in injury to the occupant. Push the wheelchair forward until the rear wheels roll up and over the curb.

TIPPING - CURBS: METHOD 2 - WHEELCHAIR WITHOUT STEP TUBE**WARNING**

Always verify that hand grips on the rear cane are secure **PRIOR** to use when an assistant is used to propel or lift the chair. Check for any signs of looseness or deterioration and if found, contact a qualified technician. **DO NOT** attempt to move the wheelchair by pulling on the hand grips if they are found to be unsecure or have deteriorated.

**METHOD 2 - WHEELCHAIR WITHOUT STEP TUBE**

This method requires two (2) assistants. The second assistant should be positioned at the front of the wheelchair lifting upward on a non-removable (non-detachable) part of the wheelchair frame when lifting the wheelchair and stabilizing the wheelchair when the wheelchair is being lowered to the ground.

The first assistant should stand on the sidewalk and turn the wheelchair so that the rear wheels are against the curb. Turn the anti-tippers so the anti-tip wheels are pointing up. The wheelchair should be tilted back to the balance point and, in one continuous upward movement, the rear wheels should be pulled up and over the curb. **DO NOT** return the front casters to the ground until the wheelchair has been pulled backward far enough for the front casters to clear the edge of the curb.

WARNING

When lowering the front casters of the wheelchair, **DO NOT** let the wheelchair drop the last few inches to the ground. This could result in injury to the occupant and/or damage to the wheelchair.

Roll the wheelchair backward and **SLOWLY** lower the wheelchair in one continuous movement. **DO NOT** let the wheelchair drop the last few inches to the ground. This could result in injury to the occupant. Turn the anti-tippers to the anti-tip wheels are facing down.

STAIRWAYS**WARNING**

ALWAYS wear your seat/chest positioning strap. Inasmuch as the **SEAT/CHEST POSITIONING STRAP** is an option on this wheelchair (You may order with or without the Seat/Chest Positioning Strap), Invacare strongly recommends ordering the Seat/Chest Positioning Strap as an additional safeguard for the wheelchair user.

DO NOT attempt to lift a wheelchair by lifting on any removable (detachable) parts. Lifting by means of any removable (detachable) parts of a wheelchair may result in injury to the user or damage to the wheelchair.

Always verify that hand grips on the rear cane are secure **PRIOR** to use when an assistant is used to propel or lift the chair. Check for any signs of looseness or deterioration and if found, contact a qualified technician. **DO NOT** attempt to move the wheelchair by pulling on the hand grips if they are found to be unsecure or have deteriorated.

EXTREME CAUTION is advised when it is necessary to move an occupied wheelchair up or down the stairs. Invacare recommends that, if possible, the user be removed from the wheelchair prior to moving. Invacare recommends using two (2) assistants and making thorough preparations. Make sure to use **ONLY** secure, non-detachable parts for hand-held supports.

TRACER SX5 RECLINER ONLY - ALWAYS return the back to the upright position before lifting the wheelchair.

Follow this procedure for moving the wheelchair between floors when an elevator is **NOT** available:

1. If necessary, rotate the anti-tippers so the wheels are facing up.
2. After the wheelchair has been tilted back to the balance point, one assistant (in the rear) backs the wheelchair up against the first step, while securely grasping a non-removable (non-detachable) part of the wheelchair for leverage.
3. The second assistant, with a firm hold on a non-detachable part of the framework, lifts the wheelchair up and over the stair and steadies the wheelchair as the first assistant places one (1) foot on the next stair and repeats STEP 1.
4. The wheelchair should not be lowered until the last stair has been negotiated and the wheelchair has been rolled away from the stairway.
5. If necessary, rotate the anti-tippers so the wheels are facing down.

ESCALATORS? SORRY!

DO NOT use an escalator to move a wheelchair between floors. Serious bodily injury may occur.

TRANSFERRING TO AND FROM OTHER SEATS**WARNING**

BEFORE attempting to transfer in or out of the wheelchair, every precaution should be taken to reduce the gap distance. Turn both casters parallel to the object you are transferring onto. Also be certain the wheel locks are engaged to help prevent the wheels from moving.

**CAUTION**

When transferring, position yourself as far back as possible in the seat. This will help prevent broken screws, damaged upholstery and the possibility of the wheelchair tipping forward.

NOTE: This activity may be performed independently provided you have adequate mobility and upper body strength.

Position the wheelchair as close as possible along side the seat to which you are transferring, with the front casters pointing parallel to it. Remove or flip up the armrest. Engage wheel locks. Shift body weight into seat with transfer.

During independent transfer, little or no seat platform will be beneath you. Use a transfer board if at all possible.

UNFOLDING AND FOLDING THE WHEELCHAIR**WARNING**

Keep hands and fingers clear of moving parts to avoid injury.

DO NOT sit or transfer into the wheelchair unless it is fully open and the seat frame rails are fully seated into the side frame H-blocks.

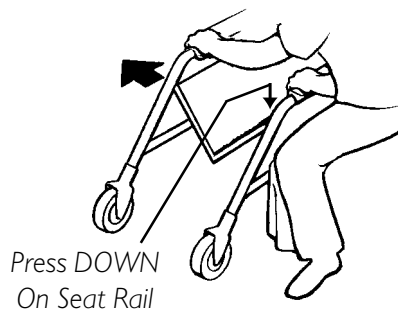
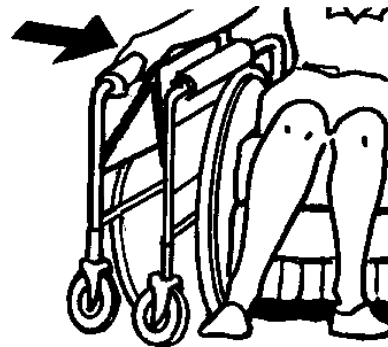
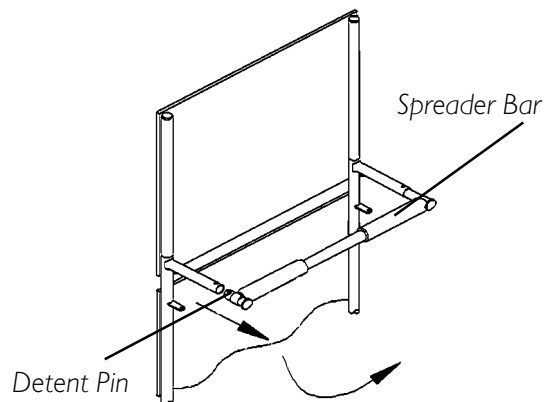
Unfolding.

1. Open the wheelchair by grasping the back cane of the wheelchair closest to you.
2. Tilt the wheelchair towards you (raising the opposite wheel and caster off the ground/floor).
3. Push downward on the TOP of the seat rail closest to you where the seat upholstery is attached until the wheelchair is fully open.
4. **TRACER SX5 RECLINERS ONLY** - Install spreader bar. Refer to REMOVING/INSTALLING THE SPREADER BAR in SECTION 10 of this manual.
5. Engage both wheel locks, open the footrest/legrest for clearance and transfer into the wheelchair. Refer to TRANSFERRING TO AND FROM OTHER SEATS in this section of the manual.

Folding.

1. **TRACER SX5 RECLINERS ONLY** - Perform the following steps:
 - A. Push in detent pin on one side of spreader bar.
 - B. While holding the spreader bar, pull out handle until the release pin is out of the handle of the back cane.
 - C. Drop the spreader bar to one side.
2. Swing footrest/legrest and calfpads (if equipped) in locked position to the front of the wheelchair.
3. Pivot footplates upward to vertical position.
4. With both hands, grasp the middle of the seat upholstery at the front and back edge and lift up.
5. Continue to close the wheelchair by grasping the back cane furthest from you and pulling the armrest towards you.

NOTE: If wheelchair is equipped with carry straps, the wheelchair may be closed by pulling up on the straps.

UNFOLDING**FOLDING****TRACER SX5 RECLINER ONLY**

Section 2 - Safety Inspection includes the following:**Safety Inspection Checklist****Troubleshooting****Maintenance**

NOTE: Every six (6) months or as necessary, take your wheelchair to a qualified technician for a thorough inspection and servicing. Regular cleaning will reveal loose or worn parts and enhance the smooth operation of your wheelchair. To operate properly and safely, your wheelchair must be cared for just like any other vehicle. Routine maintenance will extend the life and efficiency of your wheelchair.

SAFETY INSPECTION CHECKLIST

Initial adjustments should be made to suit your personal body structure needs and preference. Thereafter follow these maintenance procedures:

ITEM	Initially	Weekly	Monthly	Periodically
GENERAL				
• Wheelchair rolls straight (no excessive drag or pull to one side).	X			X
• Inspect for loose/missing/broken hardware in all locations.	X			X
FRAME AND CROSSBRACES				
• Inspect for bent frame or crossbraces.	X			X
WHEEL LOCKS				
• Do not interfere with tires when rolling.	X		X	
• Pivot points free of wear and looseness.	X		X	
• Wheel locks easy to engage.	X			X
• Wheel locks prevent wheelchair from moving when engaged.	X	X		
RECLINER				
• Inspect reclining mechanisms to ensure they are clean and work freely.	X			X
SEAT AND BACK				
• Inspect upholstery for rips or sagging.	X			X
• Inspect for loose or broken hardware.	X		X	
• Inspect cane hand grips for wear/looseness/deterioration.	X		X	
TIRES				
• Inspect for flat spots, cracks and wear.	X	X		
• If pneumatic tires check for proper inflation.	X	X		
CAUTION: As with any vehicle, the wheels and tires should be checked periodically for cracks and wear, and should be replaced if damaged.				
REAR WHEELS				
• If equipped, quick-release axles lock properly. Lubricate if necessary (with Teflon [®] lubricant ONLY).	X	X		
• No excessive side movement or binding when lifted and spun.	X			X
• Inspect wheels for cracks and wear (hub and rim).	X			X
• Inspect for cracked, bent or broken spokes.	X	X		
HANDRIMS				
• Inspect for signs of rough edges or peeling.	X			X
FRONT CASTERS/FORKS				
• Inspect wheel/fork assembly for proper tension by spinning caster; caster should come to a gradual stop.	X	X		
• Adjust bearing system if wheel wobbles noticeably or binds to a stop. Ensure wheel bearings are clean and free of moisture.	X		X	
• Check headtube locknuts for tightness.	X		X	
• Inspect casters for cracks and wear (hub and rim).	X			X
• Inspect for cracked or broken spokes.	X	X		
CAUTION: As with any vehicle, the wheels and tires should be checked periodically for cracks and wear, and should be replaced if damaged.				
CLEANING				
• Clean upholstery and armrests.	X			X

TROUBLESHOOTING

Chair Veers Right/Left	Chair 3 Wheels	Sluggish Turn or Performance	Caster Flutter	Squeaks and Rattles	Looseness in Chair	SOLUTIONS
X	X	X	X			If pneumatic, check tires for correct and equal pressure.
X		X	X	X	X	Check for loose stem nuts and bolts.

MAINTENANCE

MAINTENANCE SAFETY PRECAUTIONS

WARNING

After ANY adjustments, repair or service and BEFORE use, make sure all attachment hardware is tightened securely - otherwise, injury or damage may result.

CAUTION

DO NOT overtighten hardware attaching to the frame. This could cause damage to the frame tubing.

SUGGESTED MAINTENANCE PROCEDURES

1. Before using your Tracer SX5 or SX5 Recliner wheelchair, make sure all nuts and bolts are tight. Check all parts for damage or wear and replace. Check all parts for proper adjustment.
2. Keep quick-release axles free of dirt and lint to ensure positive locking and proper operation. Refer to ADJUSTING THE QUICK-RELEASE AXLE in SECTION 6 of this manual.

WARNING

DO NOT use WD-40®, 3-in-1 oil®, or other penetrating lubricants on quick-release axles. Otherwise, binding and/or damage to the wheelchair may occur.

3. Clean/oil quick-release axles once (1) a week with a Teflon lubricant.

WARNING

DO NOT use the wheelchair unless it has the proper tire pressure (p.s.i.). DO NOT overinflate the tires. Failure to follow these instructions may cause the tire to explode and cause bodily harm.

4. If tires are pneumatic, recommended tire pressure is listed on the sidewall of the tire.

CAUTION

As with any vehicle, the rear wheels, casters and tires should be checked periodically for cracks and wear, and should be replaced if damaged.

5. The rear wheels, casters and tires should be checked periodically for cracks and wear, and should be replaced by a qualified technician if damaged.
6. Periodically check handrims to ensure they are secured to the rear wheels. If loose, have them tightened by a qualified technician.
7. Periodically adjust wheel locks as tires wear. Refer to WHEEL LOCK ADJUSTMENT in SECTION 8 of this manual.
8. Periodically check caster and rear wheel bearings to make sure they are clean and free from moisture. Use a Teflon lubricant if necessary.

WARNING

When cleaning rear cane or hand grip areas use only a clean towel lightly dampened with cool water. Verify that grips are dry prior to use. Use of soap or ammonia based cleaning solutions will result in the hand grips sliding off the cane assembly. Failure to observe this warning may result in injury to the user or bystanders.

9. Hand grips should be checked monthly for wear/looseness. Clean if desired.
10. Check upholstery for sagging, rips or tears.

Section 3 - Front Riggings includes the following:

Installing/Removing the Footrest

Footrest Height Adjustment

Heel Loop Replacement

Elevating Legrest Assembly Installation

Adjusting the Elevating Legrest Assembly

WARNING

After ANY adjustments, repair or service and BEFORE use, make sure all attaching hardware is tightened securely - otherwise injury or damage may occur.

INSTALLING/REMOVING THE FOOTREST (FIGURE 1)

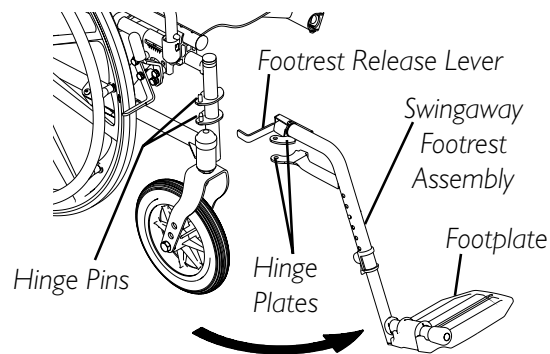
NOTE: This procedure applies to the swingaway footrest and the elevating legrest.

INSTALLING

1. Turn the swingaway footrest assembly to the side (open footplate is perpendicular to wheelchair).
2. Install the hinge plates on the swingaway footrest assembly onto the hinge pins on the wheelchair frame.
3. Push the swingaway footrest assembly towards the inside of the wheelchair until it locks into place.

NOTE: The footplate will be on the inside of the wheelchair when locked in place.

4. Repeat this procedure for the other footrest assembly.
5. To release the footrest, push the footrest release lever inward, rotate footrest outward.



NOTE: Swingaway footrest shown.

FIGURE 1 - INSTALLING/REMOVING THE SWINGAWAY FOOTREST

REMOVING

1. Push the footrest release lever inward
2. Rotate swingaway footrest assembly outward.
3. Lift the swingaway footrest assembly off of the hinge pins.

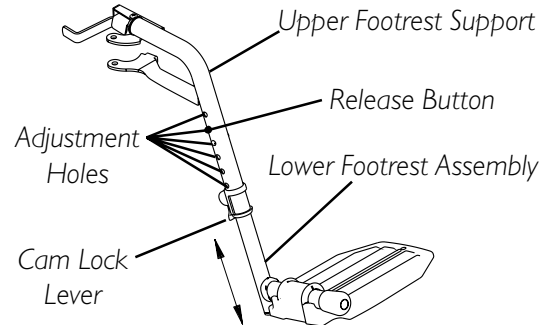
FOOTREST HEIGHT ADJUSTMENT (FIGURE 2)

NOTE: This procedure applies to the swingaway footrest and elevating legrest.

1. Remove the swingaway footrest assembly. Refer to INSTALLING/REMOVING THE SWINGAWAY FOOTREST in this section of the manual.

NOTE: Lay the assembly on a flat surface to simplify this procedure.

2. Pull the cam lock lever to UP (UN-LOCKED) position.
3. Push IN the release buttons and reposition the lower footrest assembly to the desired height.
4. Ensure that the release buttons fully protrude from holes on both sides of the upper footrest support.
5. Rotate cam lock lever DOWN to LOCKED position.
6. Repeat this procedure for the other footrest, if necessary.
7. Reinstall the swingaway footrest assembly. Refer to INSTALLING/REMOVING THE SWINGAWAY FOOTREST in this section of the manual.



NOTE: Swingaway footrest shown.

FIGURE 2 - SWINGAWAY FOOTREST HEIGHT ADJUSTMENT

HEEL LOOP REPLACEMENT (FIGURE 3)

1. Pull the cam lock lever to UP (UN-LOCKED) position.
2. Push IN the release buttons and remove the lower footrest assembly.
3. Remove the mounting screw, spacer and locknut that secure the heel loop to the footrest.
4. Remove EXISTING heel loop from slide tube.
5. Install NEW heel loop onto slide tube.
6. Install the mounting screw, spacer and locknut to secure the heel loop to the footrest. Tighten until the spacer is secure.
7. Insert the lower footrest assembly into the upper footrest assembly to desired height.
8. Ensure that the release buttons fully protrude from holes on both sides of the upper footrest support.
9. Rotate cam lock lever DOWN to LOCKED position.

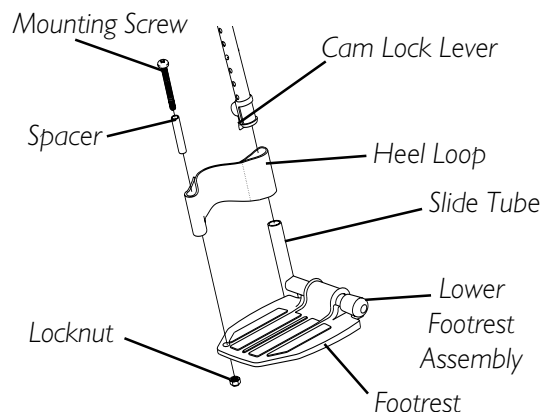


FIGURE 3 - HEEL LOOP REPLACEMENT

RAISING/LOWERING THE ELEVATING LEGREST ASSEMBLY (FIGURE 4)

1. To raise the elevating legrest, the assistant or user should grab hold of the support tube and raise elevating legrests until the desired height is obtained.
2. To lower the elevating legrest, perform the following:
 - A. Support user leg with one (1) hand.
 - B. Push release lever downward with other hand.
 - C. Gently, lower user leg down and rest against the legrest.

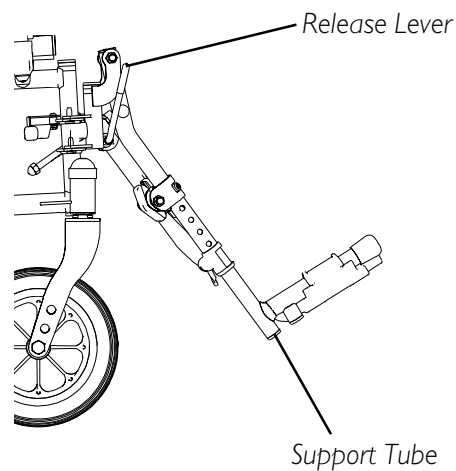


FIGURE 4 - ADJUSTING THE ELEVATING LEGREST ASSEMBLY

Section 4 - Arms includes the following:

Using or Replacing Flip-Back Armrest

Adjusting Armrest Height

WARNING

After **ANY** adjustments, repair or service and **BEFORE** use, make sure all attaching hardware is tightened securely - otherwise injury or damage may occur.

USING OR REPLACING FLIP-BACK ARMREST (FIGURE 1)

WARNING

DO NOT operate or replace flip-back armrest when wheelchair is folded - otherwise injury or damage may result.

Ensure armrest is securely locked into arm socket and armrest release button locks into place **BEFORE** using.

USING

1. Press in armrest release button located on armrest front tube.
2. Rotate front of armrest UP and OUT of arm socket.

NOTE: Armrest can rotate back approximately 90°.

3. To prepare armrest for use, rotate armrest downward, making sure front tube of armrest inserts into arm socket.
5. Push armrest down until release button snaps into arm socket.
4. Ensure armrest is securely locked into arm socket and armrest release button locks into place **BEFORE** using.

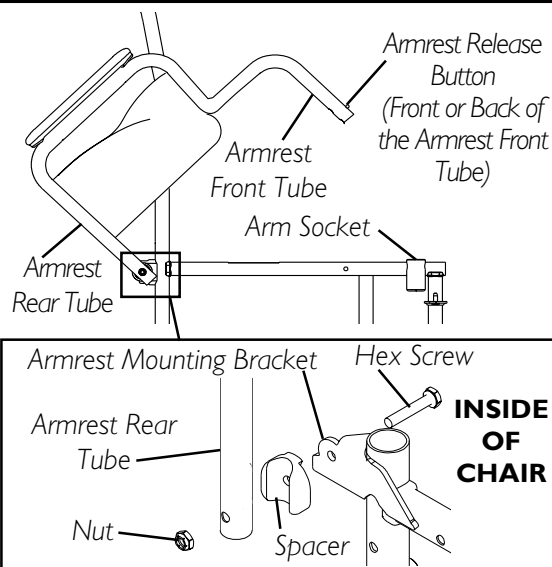


FIGURE 1 - USING OR REPLACING FLIP-BACK ARMREST

REPLACING

1. Perform STEPS 1-2 above to flip the armrest back.
2. Remove hex screw, spacer and locknut securing the **EXISTING** armrest and insert to the wheelchair frame.
3. Remove the **EXISTING** armrest from frame.
4. Inspect rear tube of **NEW** armrest to ensure insert is properly installed with mounting holes aligned.
5. If not properly aligned, rotate the insert using a flat screwdriver to align the mounting holes.
6. Insert the hex screw through the armrest mounting bracket, spacer and armrest rear tube with insert, as shown in FIGURE 1.

NOTE: Ensure the spacer sits flush against the armrest.

7. Install nut onto hex head screw. Torque to 20-30 in./lbs.
8. Rotate armrest **DOWN** and into the arm socket.
9. Ensure armrest is securely locked into arm socket and armrest release button locks into place **BEFORE** using.

ADJUSTING ARMREST HEIGHT (FIGURE 2)

WARNING

Make sure the armrest is securely locked **BEFORE** using the wheelchair.

1. Unlock the armrest by flipping the height adjustment lever on the top front of the armrest base to the **UP (HORIZONTAL)** position.

NOTE: Height adjustment lever MUST be in the unlocked position when placing armrest into the armrest base.

2. Adjust armrest to desired height.
3. Lock the armrest by pressing the height adjustment lever into the **DOWN (VERTICAL)** position when the desired armrest height is achieved.
4. Check that the armrest is locked into position by gently lifting up. If not locked, repeat STEP 3.

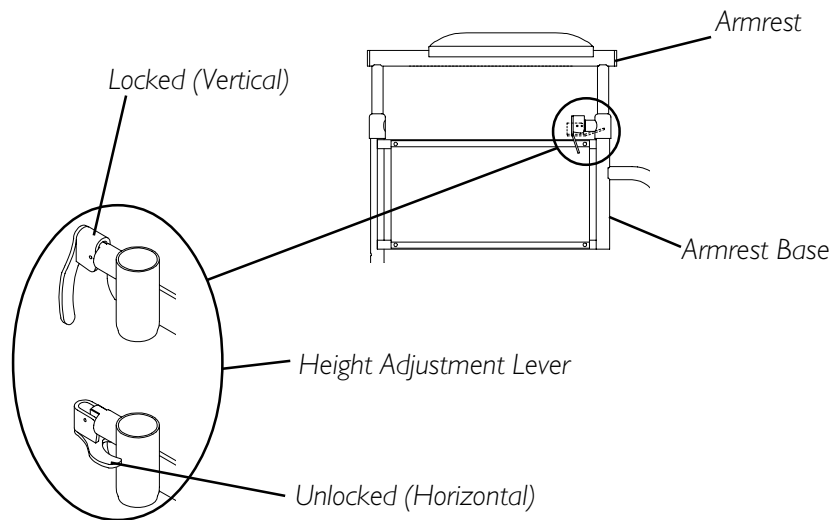


FIGURE 2 - ADJUSTING ARMREST HEIGHT

Section 5 - Seat and Back includes the following:

Installing the Back Canes

Replacing Back Upholstery

Replacing Seat Upholstery

Adjusting Seat Depth

Adjusting Seat Width

WARNING

After ANY adjustments, repair or service and BEFORE use, make sure all attaching hardware is tightened securely - otherwise injury or damage may occur.

INSTALLING THE BACK CANES (FIGURE 1)

1. Remove the hex screw and locknut from the bottom of one (1) back cane.
2. Position threaded insert into the bottom of each back cane with nut facing the outside of the wheelchair and aligned with the mounting hole in the bottom of the back cane.
3. Insert the back cane into the a mounting hole in the wheelchair frame.
4. Position the hex screw through the wheelchair frame, back cane, and threaded insert as shown in FIGURE 1.

NOTE: The hex screw should be inserted from the INSIDE of the wheelchair frame.

5. Torque the hex screw to 60-80-inch pounds.
6. Install the locknut onto the hex screw. Secure the hex screw to prevent it from backing out and torque the locknut to 60-80-inch pounds.

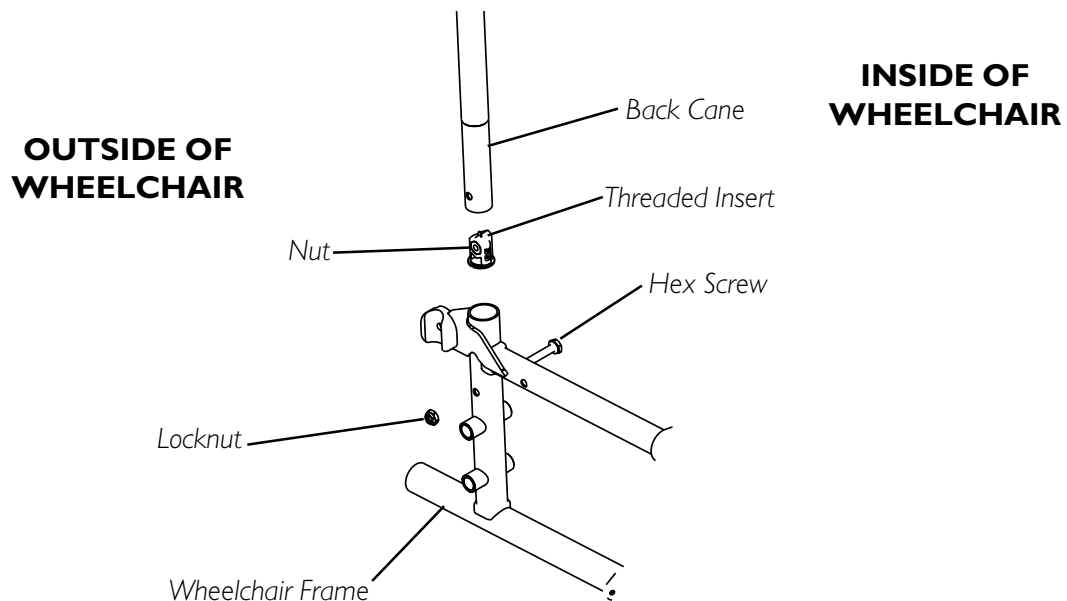


FIGURE 1 - INSTALLING THE BACK CANE TO THE WHEELCHAIR

REPLACING BACK UPHOLSTERY (FIGURE 2)

1. Remove the eight (8) phillips screws and washers that secure the existing back upholstery to the back canes.
2. Remove existing back upholstery from the back canes.
3. Securely tighten the new back upholstery to the back canes with the phillips screws and washers.

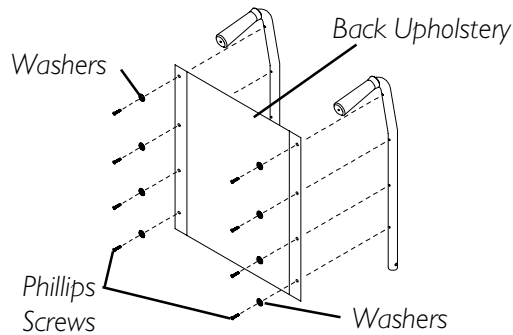


FIGURE 2 - REPLACING BACK UPHOLSTERY

REPLACING SEAT UPHOLSTERY (FIGURE 3)

1. Remove the eight (8) phillips screws and washers that secure the existing seat upholstery to the crossbraces.
2. Remove the existing seat upholstery from the crossbraces.
3. Ensure positioning of seat positioning strap (**if used**). Refer to [INSTALLING THE SEAT POSITIONING STRAP](#) in SECTION 11 of this manual.
4. Install new seat upholstery by reversing STEPS 1-2.

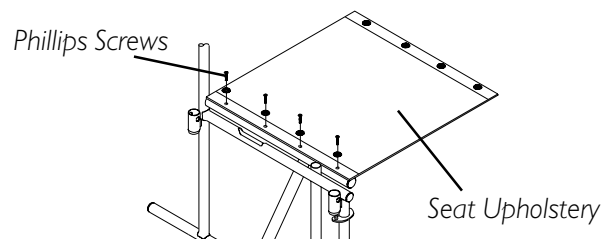


FIGURE 3 - REPLACING SEAT UPHOLSTERY

ADJUSTING SEAT DEPTH (FIGURE 4)**WARNING**

The seat depth, size/position of the front casters, size/position of the rear wheels, use of an anti-tipper model, as well as the user condition directly relate to the stability of the wheelchair. Any change to one (1) or any combination of the seven (7) may cause the wheelchair to decrease in stability. These adjustments **MUST** be performed by a qualified technician.

1. Remove the existing seat upholstery from the wheelchair. Refer to REPLACING SEAT UPHOLSTERY in this section of the manual.

NOTE: If adjusting the seat depth of the wheelchair, the seat upholstery MUST be changed as well.

2. Remove the two (2) plug buttons from the ends of the crossbraces that are towards the front of the wheelchair.

NOTE: The two (2) plug buttons will be used in the ends of the seat extensions.

3. Install the two (2) seat extension tubes into the ends on the crossbraces. Line up the **rear** mounting hole of the seat extension tube with the **second** mounting hole from the end of the crossbrace.
4. Install the two (2) seat extension spacers onto the two (2) seat extension tubes.
5. Install the new seat upholstery onto the wheelchair. Make sure to line up the mounting holes in the seat extension tubes and seat extension spacers with the new seat upholstery. Refer to REPLACING SEAT UPHOLSTERY in this section of the manual.
6. Install plug buttons into the ends of the seat extension spacers.

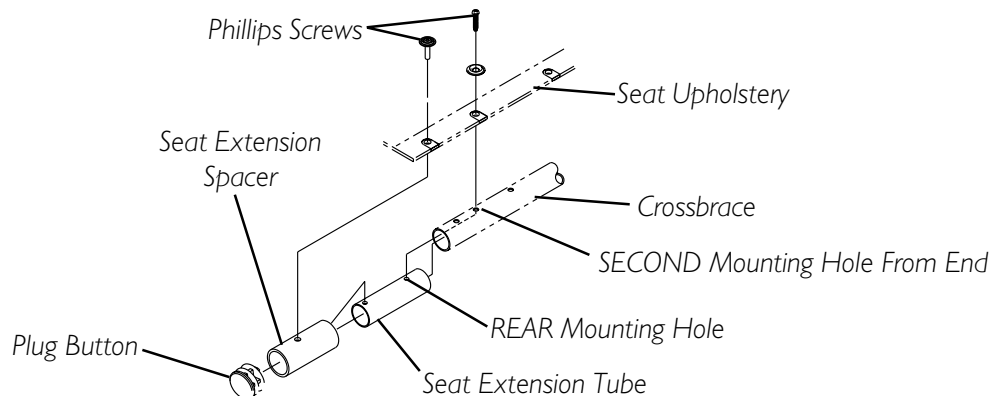


FIGURE 4 - ADJUSTING SEAT DEPTH

ADJUSTING THE SEAT WIDTH (FIGURE 5)

NOTE: When adjusting the seat width of the wheelchair, the back and seat upholstery MUST be changed. If applicable, the headrest pillow and headrest upholstery MUST be changed as well.

1. Remove the existing back and seat upholstery from the wheelchair. Refer to REPLACING BACK UPHOLSTERY and REPLACING THE SEAT UPHOLSTERY in this section of the manual.
2. Remove the four (4) button screws and locknuts that secure the two (2) pivot links to the wheelchair frame and crossbraces.
3. Remove the two (2) button screws, locknuts and crossbrace saddle that secures the bottom of the crossbrace to the wheelchair frame. Repeat for other crossbrace.
4. Remove the hex screw, coved washers, washers and locknut that secure the two (2) crossbraces together. See DETAIL "B".

*NOTE: Note the orientation of the coved washers, washers and locknut for assembling the **NEW** crossbraces. See DETAIL "B".*

5. Assemble the two (2) **NEW** crossbraces together with the existing hex screw, coved washers, washers and locknut. Securely tighten. Refer to DETAIL "B" for hardware orientation.
6. Determine the correct pivot link and mounting hole to use with the desired seat width. See chart below.

SEAT WIDTH	PIVOT LINK
14-INCH	<p>14-Inch</p> <p>HEMI 1110000</p> <p>10 12 14 15</p> <p>DO NOT USE</p>
16-INCH 18-INCH	<p>16-Inch 18-Inch</p> <p>HEMI 1110001</p> <p>10 11</p> <p>DO NOT USE</p>
20-INCH 22-INCH	<p>20-Inch 22-Inch</p> <p>HEMI 1110002</p> <p>10 11</p> <p>DO NOT USE</p>

7. Secure the pivot links to the crossbraces and wheelchair frame with the four (4) button screws and locknuts. Securely tighten.

NOTE: Position crossbrace saddle on wheelchair frame using the washer on the underside of the wheelchair frame as a reference. See DETAIL "A" for proper positioning of the crossbrace saddle.

8. Reinstall the two (2) button screws, locknuts and crossbrace saddle that secures the bottom of the **NEW** crossbrace to the wheelchair frame. Refer to DETAIL "B" for hardware orientation. Repeat for opposite crossbrace. Securely tighten.
9. Install the **NEW** back and seat upholstery onto the wheelchair. Refer to REPLACING BACK UPHOLSTERY and REPLACING SEAT UPHOLSTERY in this section of the manual.

SEAT AND BACK

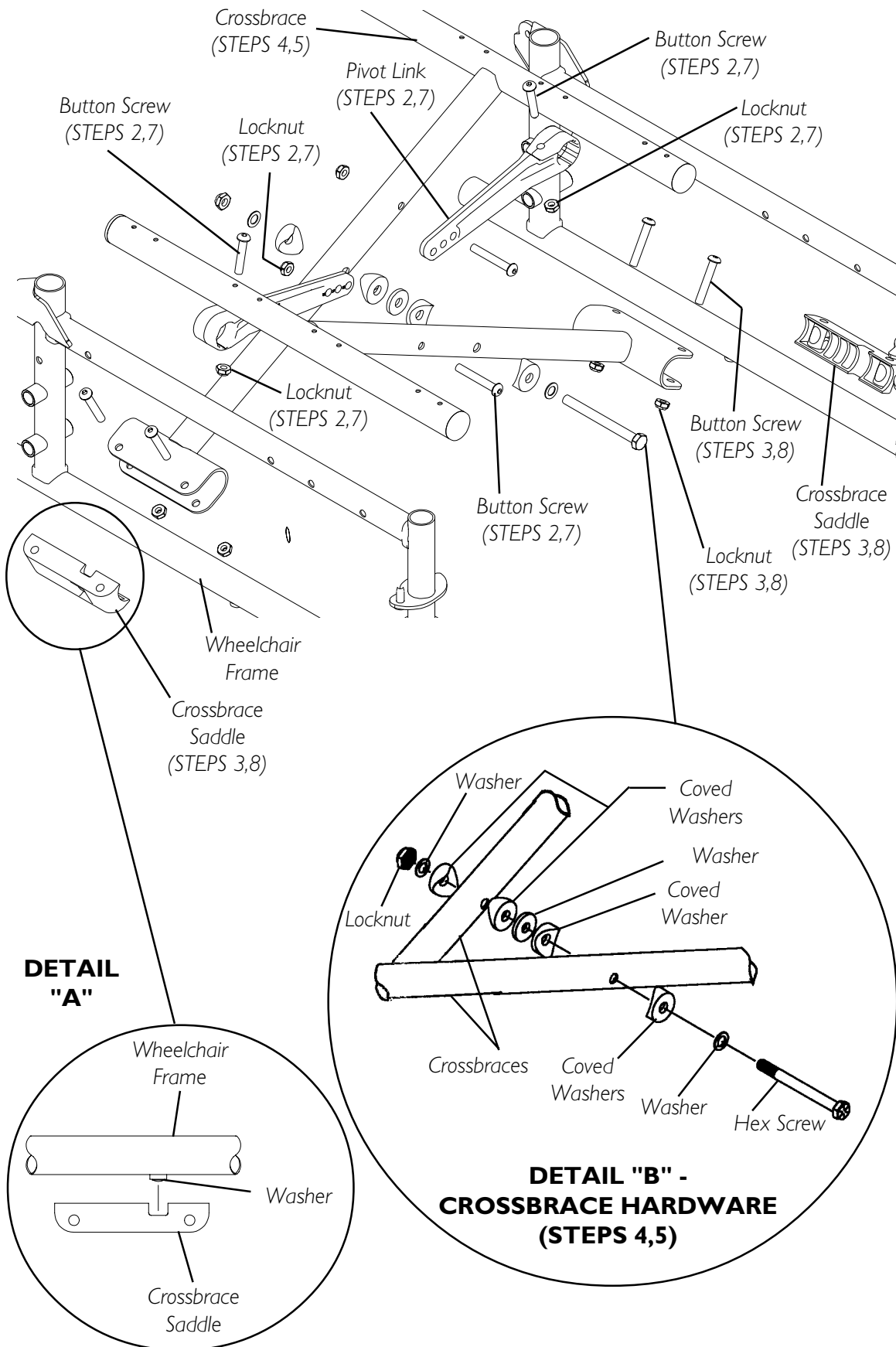


FIGURE 5 - ADJUSTING THE SEAT WIDTH

Section 6 - Rear Wheels includes the following:

Removing/Installing the Rear Wheels

Adjusting the Quick-Release Axle

Replacing Rear Wheel Handrim

Replacing/Repairing Rear Wheel Tire/Tube

WARNING

After ANY adjustments, repair or service and BEFORE use, make sure all attaching hardware is tightened securely - otherwise injury or damage may occur.

REMOVING/INSTALLING THE REAR WHEELS

NOTE: This procedure applies to NON-RECLINER models ONLY. For RECLINER models, refer to SECTION 10 of this manual.

WARNING

If changing the size of the rear wheel or a change in the SEAT-TO-FLOOR HEIGHT is desired, this procedure MUST be performed by a qualified technician.

Make sure both rear wheels are the same size and are installed into the same respective mounting hole BEFORE using the wheelchair, otherwise injury may occur.

PERMANENT AXLES (FIGURE 1)

NOTE: If replacing the same size rear wheel, note the mounting position on the wheelchair frame for proper reinstallation of the NEW rear wheel.

1. Remove the dust cap, hex screw, spacer and locknut that secure the rear wheel to the wheelchair frame.
2. Repeat STEP 1 for the opposite rear wheel.
3. To reinstall the rear wheel(s) onto the wheelchair, reverse STEPS 1-2.
4. Adjust wheel locks. Refer to WHEEL LOCK ADJUSTMENT in SECTION 8 of this manual.

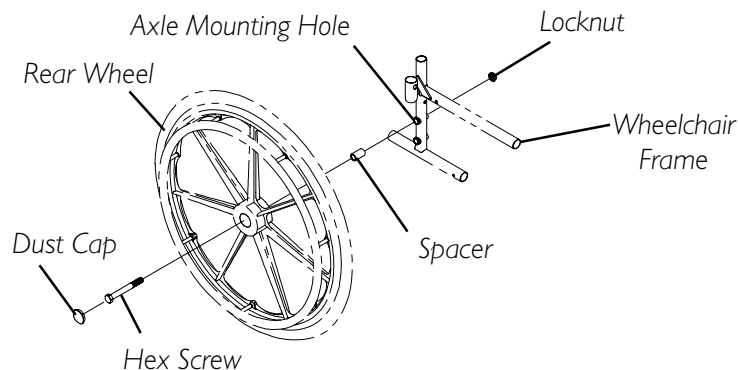


FIGURE 1 - REMOVING/INSTALLING THE REAR WHEELS - PERMANENT AXLES

QUICK-RELEASE AXLES (FIGURE 2)

NOTE: Quick-release axles are available on Non-Recliner wheelchairs ONLY.

NOTE: If replacing the same size rear wheel, note the mounting position on the wheelchair frame for proper reinstallation of the NEW rear wheel.

1. Push in the detent pin of the quick-release axle (with wheel) and pull the axle out through the opening in the center of the rear wheel and axle spacer.
2. Push in the detent pin of the quick-release axle again and pull the axle out of the rear wheel.
3. Repeat STEPS 1-2 for the opposite rear wheel.
4. To reinstall the rear wheel onto the wheelchair, reverse STEPS 1-3.

WARNING

Make sure the detent pin and locking pins of the quick-release axle are fully released BEFORE operating the wheelchair.

The locking pins MUST be protruding past the inside of the rear wheel axle bushing for a positive lock.

Keep locking pins clean.

Invacare recommends inserting quick-release axles with the detent pin to the inside of the wheelchair to prevent accidental release during contact activities.

5. If the locking pins are not protruding past the inside of the axle bushing or there is too much side to side movement of the rear wheel assembly, refer to ADJUSTING THE QUICK RELEASE AXLE in this section of the manual.

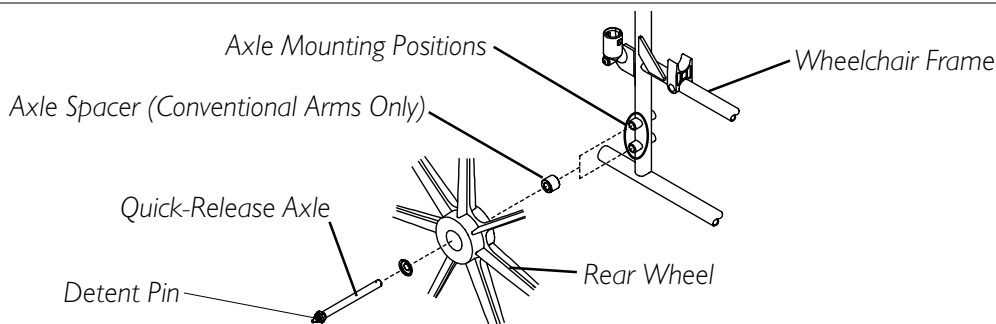
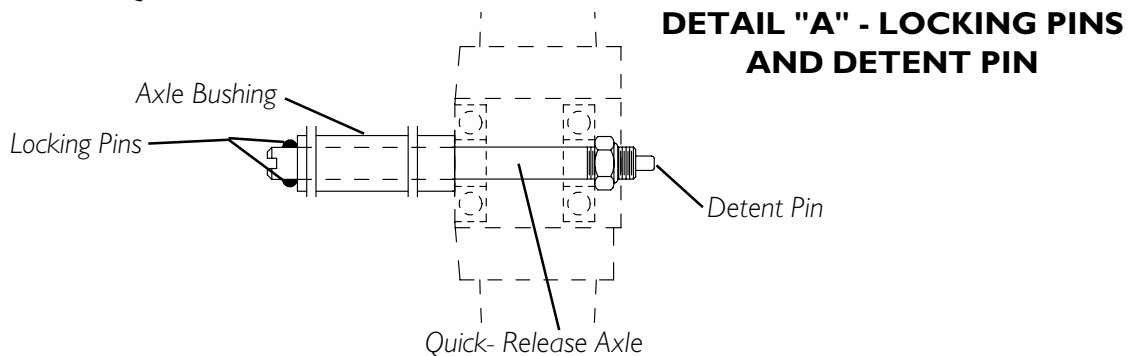


FIGURE 2 - REMOVING/INSTALLING THE REAR WHEELS - QUICK-RELEASE AXLES

ADJUSTING THE QUICK-RELEASE AXLE (FIGURE 3)

NOTE: Quick-release axles are available on Non-Recliner wheelchairs ONLY.

1. Remove rear wheel and quick-release axle from the wheelchair. Refer to REMOVING/INSTALLING THE REAR WHEELS in this section of the manual.
2. Depress detent pin in the quick-release axle and slide axle through the rear wheel hub.
3. Release detent pin ensuring that the locking pins are fully released.
4. Increase or decrease end play by adjusting the locknut on the end of the quick-release axle.
5. Reinstall rear wheel onto the wheelchair. Refer to REMOVING/INSTALLING THE REAR WHEELS in this section of the manual.

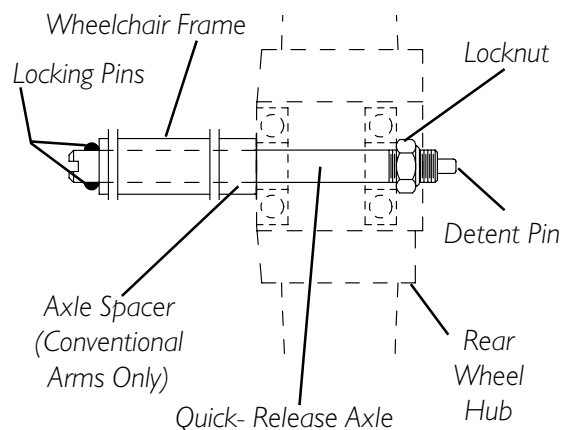


FIGURE 3 - ADJUSTING THE QUICK-RELEASE AXLE

REPLACING REAR WHEEL HANDRIM (FIGURE 4)

1. Remove the rear wheel from the wheelchair. For non-recliner models, refer to REMOVING/INSTALLING THE REAR WHEELS in this section of the manual. For Tracer SX5 Recliner, refer to REMOVING/INSTALLING THE REAR WHEELS in SECTION 10 of this manual.
2. Remove the mounting screws and washers (not shown) that secure the handrim to the rear wheel.
3. Remove the existing handrim.
4. Install the NEW handrim by reversing the above steps.
5. Reinstall rear wheel to the wheelchair. Refer to REMOVING/INSTALLING THE REAR WHEELS in this section of the manual.
6. Repeat the procedure for the opposite rear wheel if necessary.

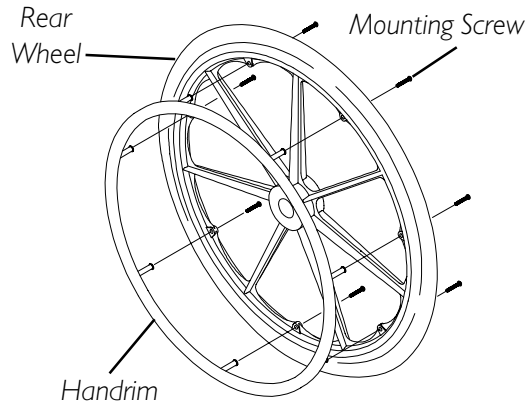


FIGURE 4 - REPLACING REAR WHEEL HANDRIM

REPLACING/REPAIRING REAR WHEEL TIRE/TUBE

WARNING

Replacement of rear wheel tire or tube **MUST** be performed by a qualified technician.

CAUTION

As with any vehicle, the wheels and tires should be checked periodically for cracks and wear, and should be replaced if damaged.

Section 7 - Front Casters includes the following:

Installing/Replacing Fork Assemblies

Adjusting Forks

Replacing Front Casters

Replacing/Repairing Front Caster Tire/Tube

WARNING

After **ANY** adjustments, repair or service and **BEFORE** use, make sure all attaching hardware is tightened securely - otherwise injury or damage may occur.

INSTALLING/REPLACING FORK ASSEMBLIES (FIGURE 1)

WARNING

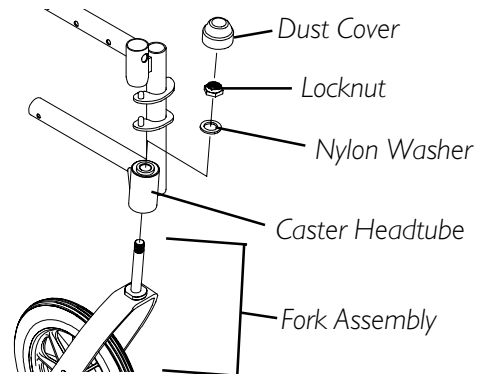
If converting from six-inch fork to an eight-inch fork or vice versa, there are **SEAT-TO-FLOOR** height adjustments that must be made. A qualified technician **MUST** perform these adjustments if this is the case.

Make sure both fork/caster assemblies are the same size **BEFORE** using the wheelchair, otherwise injury may occur.

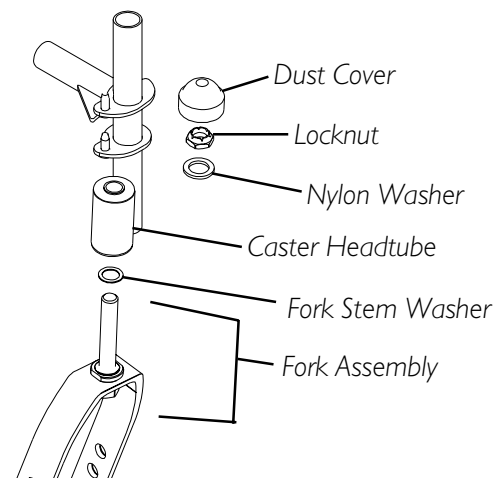
NON-RECLINER 20-22 WIDE (300 LB. WEIGHT LIMITATION) WHEELCHAIRS AND ALL RECLINER MODELS ONLY: The factory installed 8-inch fork assembly (part number 1089103) and fork stem washer (part number 1089102), **MUST** be used on wheelchairs of these widths. **DO NOT** replace with any other size/style fork assembly. Otherwise, injury or damage may occur.

NOTE: This procedure can be performed if replacing the exact same size front caster.

NON-RECLINER WHEELCHAIRS UNDER 20-INCHES WIDE



NON-RECLINER WHEELCHAIRS 20 TO 22-INCHES WIDE AND RECLINER MODELS



**FIGURE 1 - INSTALLING/
REPLACING FORK ASSEMBLIES**

1. Remove the dust cover.
2. Remove the locknut and nylon washer that secures the fork to the caster headtube.
3. Drop the front caster and fork out of the caster headtube.

NOTE: If caster replacement is desired, refer to REPLACING FRONT CASTERS in this section of the manual.

4. Slide in the new fork assembly.
5. Reassemble by reversing STEPS 1-3. Refer to FIGURE 1.
6. Repeat STEPS 1-5 for the opposite fork assembly.
7. Adjust the forks. Refer to ADJUSTING FORKS in this section of the manual.

ADJUSTING FORKS (FIGURE 1)

1. To properly tighten caster journal system and guard against flutter, perform the following check:
 - a. Tip back of wheelchair to floor.
 - b. Pivot both forks and casters to top of their arc simultaneously.
 - c. Let casters drop to bottom of arc (wheels should swing once to one-side, then immediately rest in a straight downward position).
 - d. Adjust locknuts according to freedom of caster swing.
 - e. Repeat STEPS C-D until wheels swing once to one-side, then immediately rest in a downward position.
2. Test wheelchair for maneuverability.
3. Readjust locknuts if necessary, and repeat STEPS 1-2 until correct.
4. Snap dust cover over the locknut and stem.

REPLACING FRONT CASTERS (FIGURE 2)

WARNING

If converting from six-inch casters to eight-inch casters or vice versa, the fork assemblies **MUST** be replaced. Refer to **INSTALLING/REPLACING FORK ASSEMBLIES** in this section of the manual. In addition, there are **SEAT-TO-FLOOR** height adjustments that must be made. A qualified technician **MUST** perform these adjustments if this is the case.

Make sure both front casters are the same size and are installed into the same respective mounting hole **BEFORE** using the wheelchair, otherwise injury may occur.

20-22 WIDE (300 LB. WEIGHT LIMITATION) WHEELCHAIRS AND ALL RECLINER MODELS ONLY: 8x1-3/4-inch semi-pneumatic front casters **MUST** be installed. **DO NOT** replace with any other size/style front caster. Otherwise, injury or damage may occur.

NOTE: If replacing the same size front caster, note the mounting position on the fork assembly for proper reinstallation of the NEW front caster.

1. Remove the hex screw, washers and locknut that secure the front caster to the fork.

NOTE: Washers are only used with 6 and 8-inch casters with precision bearings.

2. To reinstall the new front caster onto the fork, reverse STEP 1.

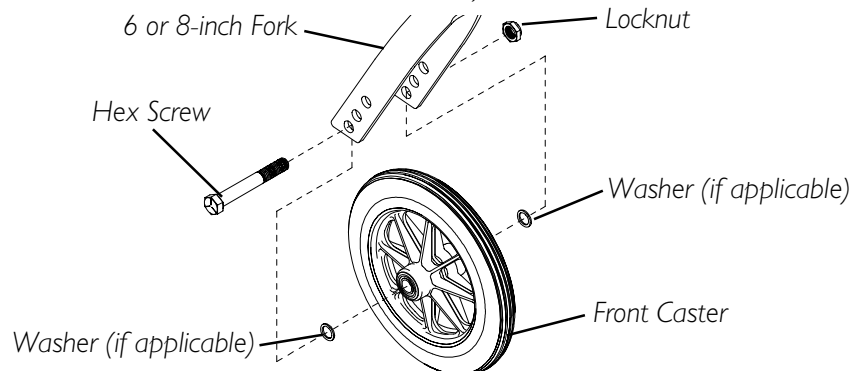


FIGURE 2 - REPLACING FRONT CASTERS

REPLACING/REPAIRING FRONT CASTER TIRE/TUBE

WARNING

Replacement of front caster tire or tube **MUST** be performed by a qualified technician.

CAUTION

As with any vehicle, the wheels and tires should be checked periodically for cracks and wear, and should be replaced if damaged.

Section 8 - Anti-tippers/Wheel Locks includes the following:

Installing/Adjusting the Anti-Tippers

Wheel Lock Adjustment

WARNING

After ANY adjustments, repair or service and BEFORE use, make sure all attaching hardware is tightened securely - otherwise injury or damage may occur.

INSTALLING/ADJUSTING THE ANTI-TIPPERS

WARNING

Anti-tippers are specific to the different seat-to-floor angles and/or seat-to-floor heights. Refer to the chart in this section of the manual for correct usage and adjustment. If these requirements **CANNOT** be achieved, **DO NOT** use the wheelchair. Contact a qualified technician. Any changes to the seat-to-floor angle or seat-to-floor height may require different anti-tippers.

NON-RECLINERS ONLY: If so equipped, anti-tippers **MUST** be attached at all times. Inasmuch as the anti-tippers are an option for this wheelchair (You may order with or without the anti-tippers), Invacare strongly recommends ordering the anti-tippers as a safeguard for the wheelchair user.

RECLINERS ONLY: Anti-tippers **MUST BE** attached at all times.

Anti-tippers **MUST** be fully engaged and release buttons fully protruding out of adjustment holes.

Ensure both anti-tippers are adjusted to the same mounting hole.

INSTALLING THE ANTI-TIPPERS (FIGURES 1 AND 2)

NOTE: To ensure the correct model anti-tipper is used refer to FIGURE 1. Measurements for anti-tippers are approximate and are taken with extension tube in BOTTOM hole position.

Wheelchair Model	Seat-to-Floor Height in inches	Anti-tipper (measurements in inches)			
		Length	Height	Model	Part Number
Tracer SX5	17-1/2 to 19-1/2	13-1/2	3-1/4	1360	1058836
Tracer SX5	15-1/2 to 17-1/2	11-5/8	2-3/4	1360A	1058752
Tracer SX5 Recliner	17-1/2 to 19-1/2	13-1/2	3-1/2	N/A	1088242

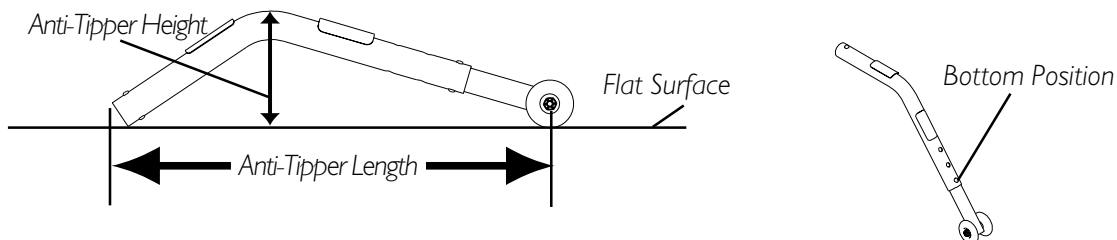


FIGURE 1 - ANTI-TIPPER LENGTH

1. Depress the release buttons and insert the anti-tippers with the anti-tipper wheels pointing toward the ground/floor into the wheelchair frame tubing as shown in FIGURE 2.
2. Ensure that the release button of the anti-tipper fully protrudes out of the hole in the bottom of the wheelchair frame tubing.
3. Place the wheelchair on a flat surface.
4. Measure the distance between the bottom of the anti-tipper wheels and the ground/floor.

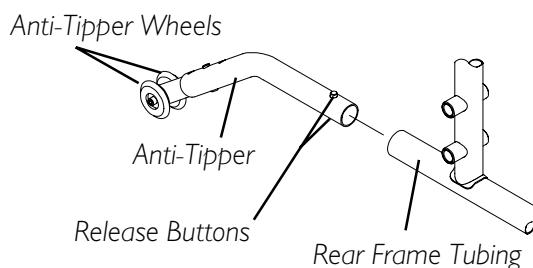


FIGURE 2 - INSTALLING THE ANTI-TIPPERS

NOTE: A 1-1/2 to 2-inch clearance between the bottom of the anti-tipper wheels and the ground/floor MUST be maintained at all times.

5. If the distance between the bottom of anti-tipper wheels and the ground/floor is not 1-1/2 to 2-inches, adjust anti-tippers. Refer to [ADJUSTING THE ANTI-TIPPERS](#) in this section of the manual.

ADJUSTING THE ANTI-TIPPERS (FIGURE 3)

NOTE: A 1-1/2 to 2-inch clearance between the bottom of the anti-tipper wheels and the ground/floor MUST be maintained at all times.

1. Place the wheelchair on a flat surface.

NOTE: If adjusting anti-tippers on recliner models, ensure back canes are in the upright position BEFORE making adjustments.

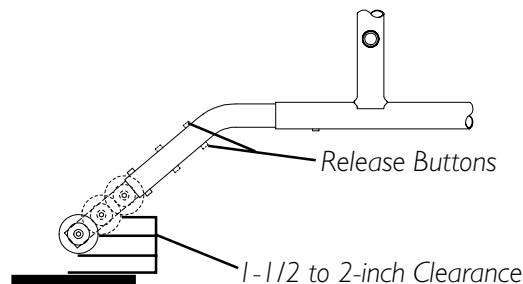


FIGURE 3 - ADJUSTING THE ANTI-TIPPERS

2. Press the release buttons on the wheeled portion of the anti-tipper and slide it up or down to the desired adjustment hole.
3. Check to make sure that the release buttons are fully engaged in adjustment holes.
4. Ensure both anti-tippers are adjusted to the same height.
5. Measure the distance between the bottom of the anti-tipper wheels and the ground/floor.
6. If the distance between the bottom of anti-tipper wheels and the ground/floor is not 1-1/2 to 2-inches, repeat STEPS 2-5 until the distance is 1-1/2 to 2-inches.
7. If the 1-1/2 to 2-inch distance cannot be achieved with the anti-tippers, a different model may be required. Contact an Invacare dealer or qualified technician.

WHEEL LOCK ADJUSTMENT(FIGURE 4)**WARNING**

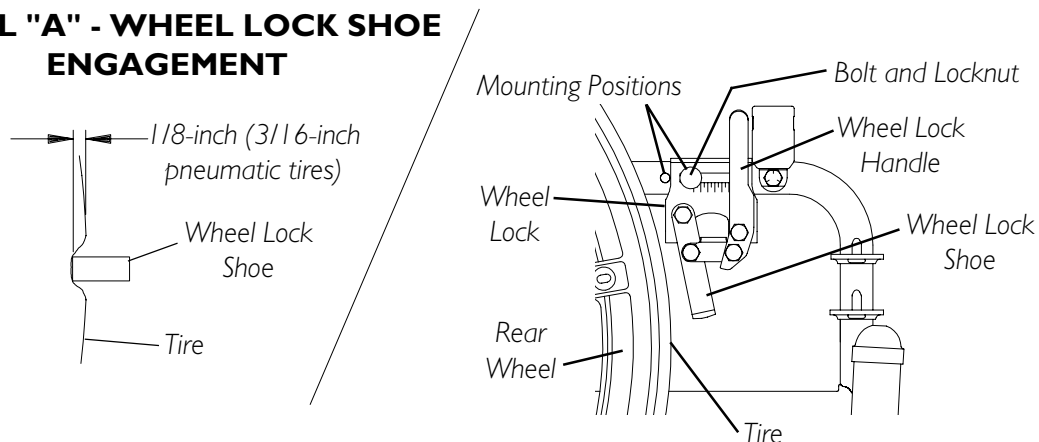
DO NOT attempt to stop a moving wheelchair with the wheel locks. WHEEL LOCKS ARE NOT BRAKES.

NOTE: If wheels are pneumatic, before adjusting the wheel lock assemblies, ensure that the tires are inflated to the recommended psi on the side wall of tire.

1. Ensure the wheel lock is in the open (unlocked) position.
2. Loosen the bolt and locknut that secure the wheel lock assembly to the wheelchair frame.
3. Reposition the wheel lock so that when engaged, the wheel lock shoe embeds the tire 1/8-inch (3/16-inch for pneumatic tires) and **HOLDS** the wheelchair.
4. Securely tighten the bolt and locknut securing the wheel lock to the wheelchair frame.
5. Engage the wheel lock.
6. Measure the distance the wheel lock is embedded into the tire as shown in DETAIL "A" of FIGURE 4.

NOTE: Any wheel lock adjustment should embed the wheel lock shoe at least 1/8-inch (3/16-inch for pneumatic tires) into the tire when engaged.

7. Repeat the STEPS 1-6 until the wheel lock shoe embeds the tire 1/8-inch (3/16-inch for pneumatic tires) and **HOLDS** the wheelchair.
8. Repeat STEPS 1-7 for the opposite wheel lock.
9. If the measurement of 1/8-inch (3/16-inch for pneumatic tires) cannot be achieved, remove the bolt and locknut that secure the wheel lock to the wheelchair frame and mount the wheel lock in one (1) of two (2) mounting positions.
10. Repeat steps 1-9 until the wheel lock **HOLDS** the wheelchair. If the correct measurement still cannot be achieved, contact a qualified technician.

DETAIL "A" - WHEEL LOCK SHOE ENGAGEMENT**FIGURE 4 - WHEEL LOCK ADJUSTMENT**

Section 9 - Seat-to-Floor Height includes the following:

Changing Seat-To-Floor Height

WARNING

After **ANY** adjustments, repair or service and **BEFORE** use, make sure all attaching hardware is tightened securely - otherwise injury or damage may result.

CHANGING SEAT-TO-FLOOR HEIGHT (FIGURES 1 AND 2)

WARNING

The seat depth, size/position of the front casters, size/position of the rear wheels, use of an anti-tipper model, as well as the user condition directly relate to the stability of the wheelchair. Any change to one (1) or any combination of the seven (7) may cause the wheelchair to decrease in stability. These adjustments **MUST** be performed by a qualified technician.

Seat-to-floor heights have specific positions depending on rear wheel size, rear wheel position, front caster size and front caster position. These adjustments **MUST** be performed by a qualified technician.

If changing the seat-to-floor height the correct anti-tippers **MUST** be ordered to maintain a 1-1/2 to 2-inch ground clearance.

1. Refer to one (1) of the following charts to determine mounting positions for front casters/forks and rear wheels for the desired obtainable seat-to-floor height:
 - A. **ADULT/HEMI FRAME STYLE - FIGURE 1**
 - B. **RECLINER FRAME STYLE - FIGURE 2**
2. Remove the rear wheels from the wheelchair. Refer to one (1) of the following procedures:
 - A. **ADULT/HEMI FRAME STYLE - REMOVING/INSTALLING THE REAR WHEELS** in SECTION 6 of this manual.
 - B. **RECLINER FRAME STYLE - REMOVING/INSTALLING THE REAR WHEELS** in SECTION 10 of this manual.
3. If necessary, replace the front casters and forks with the casters and forks indicated in the chart. Refer to **REPLACING FRONT CASTERS** and **INSTALLING/REPLACING FORK ASSEMBLIES** in SECTION 7 of this manual.
4. Reinstall the rear wheels onto the wheelchair in the mounting position indicated in the chart. Refer to one (1) of the following procedures.
 - A. **ADULT/HEMI FRAME STYLE - REMOVING/INSTALLING THE REAR WHEELS** in SECTION 6 of this manual.
 - B. **RECLINER FRAME STYLE - REMOVING/INSTALLING THE REAR WHEELS** in SECTION 10 of this manual.
5. Adjust anti-tippers according to **NEW** seat-to-floor height. Refer to **ADJUSTING THE ANTI-TIPPERS** in SECTION 8 of this manual.

NON-RECLINER FRAME STYLE

WARNING

20-22 WIDE (300 LB. WEIGHT LIMITATION) WHEELCHAIRS ONLY: 8x1-3/4-inch semi-pneumatic front casters **MUST** be installed. **DO NOT** replace with any other size/style front caster. Otherwise, injury or damage may occur.

*6-INCH FRONT CASTERS

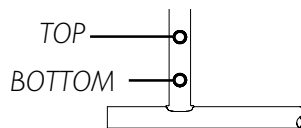
SEAT-TO-FLOOR HEIGHT (in inches)	FRONT CASTER MOUNTING POSITION	REAR WHEEL SIZE	REAR WHEEL MOUNTING POSITION
15-1/2	TOP	20-inch	TOP
16-1/2	MIDDLE	22-inch	TOP
17-1/2	BOTTOM	24-inch	TOP
17-1/2	BOTTOM	20-inch	BOTTOM

*8-INCH FRONT CASTERS

SEAT-TO-FLOOR HEIGHT (in inches)	FRONT CASTER MOUNTING POSITION	REAR WHEEL SIZE	REAR WHEEL MOUNTING POSITION
17-1/2	TOP	20-inch	BOTTOM
17-1/2	TOP	24-inch	TOP
18-1/2	MIDDLE	22-inch	BOTTOM
19-1/2	BOTTOM	24-inch	BOTTOM

* NOTE: 6-inch and 8-inch front casters require different forks.

REAR WHEEL MOUNTING POSITIONS - ADULT/HEMI FRAME STYLE



6 OR 8-INCH FORK MOUNTING POSITIONS

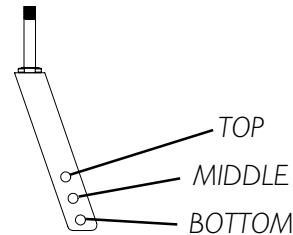


FIGURE 1 - CHANGING SEAT-TO-FLOOR HEIGHT - NON-RECLINER FRAME STYLE

RECLINER FRAME STYLE

WARNING

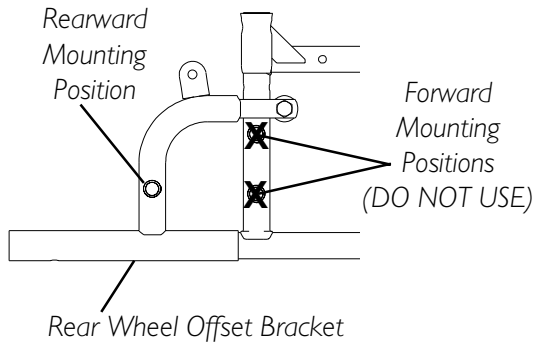
TRACER SX5 RECLINER ONLY: Mount the rear wheels in the Rear Wheel Offset Bracket **ONLY**. **NEVER** reposition the rear wheels to the forward position, stability of the wheelchair will decrease, and injury or damage may result.

8x1-3/4-inch semi-pneumatic front casters **MUST** be installed. **DO NOT** replace with any other size/style front caster. Otherwise, injury or damage may occur.

8-INCH FRONT CASTERS

SEAT-TO-FLOOR HEIGHT (in inches)	FRONT CASTER MOUNTING POSITION	REAR WHEEL SIZE	REAR WHEEL MOUNTING POSITION
17-1/2	TOP	20-inch	N/A
18-1/2	MIDDLE	22-inch	N/A
19-1/2	BOTTOM	24-inch	N/A

REAR WHEEL MOUNTING POSITION - TRACER SX RECLINER FRAME STYLE



8-INCH FORK MOUNTING POSITIONS

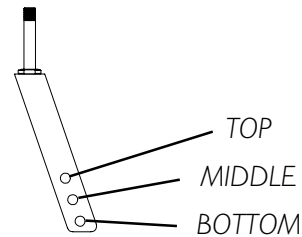


FIGURE 2 - CHANGING SEAT-TO-FLOOR HEIGHT - RECLINER FRAME STYLE

Section 10 - Recliner includes the following:

Recliner Operation

Replacing the Headrest Pillow

Replacing Headrest/Back Upholstery

Storing/Replacing the Spreader Bar

Removing/Installing Armrest

Removing/Installing the Rear Wheels

WARNING

After **ANY** adjustments, repair or service and **BEFORE** use, make sure all attaching hardware is tightened securely - otherwise injury or damage may occur.

RECLINER OPERATION (FIGURE 1)

WARNING

ALWAYS make sure that the wheelchair is stable in the full reclined (back at 180°) position and the full upright (back at 90°) position **BEFORE** using the recliner option.

Anti-tippers MUST BE attached at all times.

ALWAYS engage both wheel locks while reclining or inclining (reverse recline) the wheelchair.

Make sure spring buttons of the spreader bar fully protrude out through the hole in the handle **BEFORE** using the wheelchair.

Make sure both back canes are at the same angle **BEFORE** releasing the handles of the recline mechanisms.

Mount the rear wheels in the **Rear Wheel Offset Bracket ONLY**. **NEVER** reposition the rear wheels to the forward position, stability of the wheelchair will decrease.

Before using the recliner option, the anti-tippers **MUST** be installed and properly adjusted. Refer to **INSTALLING/ADJUSTING THE ANTI-TIPPERS** in **SECTION 8** of this manual.

Always return the back to the upright position before lifting the wheelchair.

TO HEALTHCARE PROFESSIONALS/ASSISTANTS:

The Tracer SX5 Recliner wheelchair **MUST** be operated by a healthcare professional or assistant when in **ANY** reclined position.

Make sure the patient is properly positioned in the wheelchair before reclining or inclining (reverse recline) to maintain maximum stability and safety.

WARNING (CONTINUED)

Assistants **MUST** be prepared to support the weight of the occupant when reclining, or returning the occupant of the wheelchair to the full upright position. Make sure to use proper body mechanics (use your legs) or seek assistance if necessary to avoid injury.

ALWAYS engage both wheel locks while reclining or inclining (reverse recline) the wheelchair.

Make sure occupant's and bystanders' hands and body are clear of all pinch points before reclining back. Use caution, otherwise injury may occur.

1. Unfold wheelchair. Refer to SAFETY/HANDLING OF WHEELCHAIRS in SECTION I of this manual.
2. Attach spreader bar. Refer to REMOVING/INSTALLING THE SPREADER BAR in this section of the manual.
3. Make sure wheelchair is occupied and on a level surface before reclining.
4. Engage the wheel locks.
5. Inform the occupant of the wheelchair that the wheelchair is about to be reclined.
6. Make sure occupant's hands and body are clear of all pinch points.
7. Stand behind the wheelchair and grasp both push handles firmly.
8. Lifting up on handles, squeeze release levers.
9. **SLOWLY**, pull back on the back assembly while squeezing the release levers.
10. When the back reaches the desired angle, **SLOWLY** let go of the release levers.
11. To return the back to the full upright position, reverse the STEPS 7-10 keeping in mind proper body mechanics.

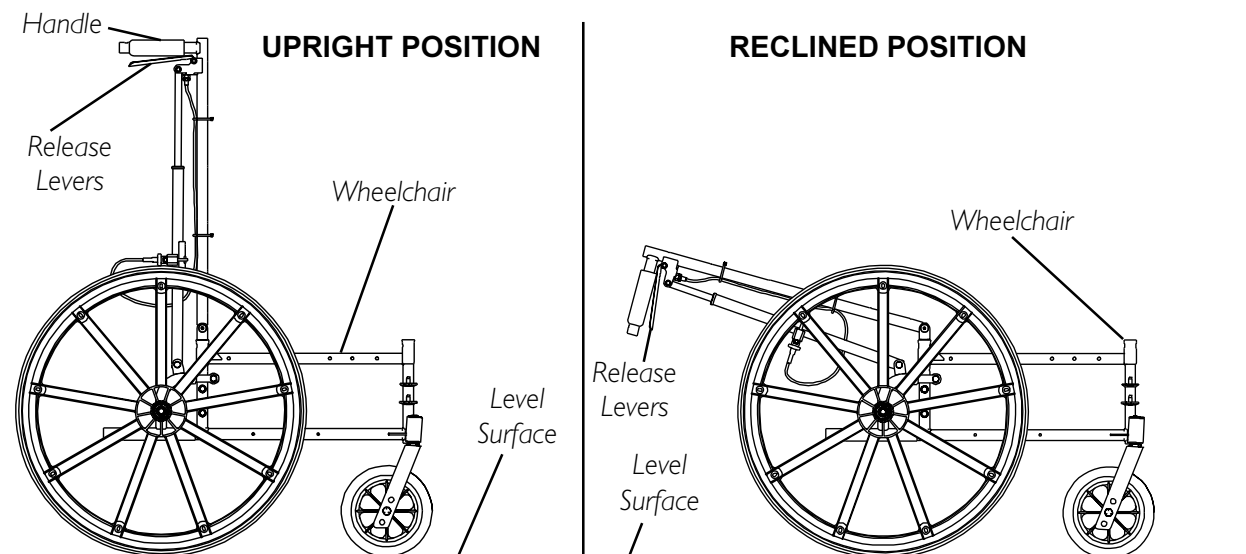


FIGURE I - RECLINER OPERATION

REPLACING THE HEADREST PILLOW (FIGURE 2)

1. Unfasten straps of headrest pillow from behind headrest upholstery.
2. Remove existing headrest pillow from headrest.
3. Center new/existing headrest pillow onto the front of the headrest upholstery.
4. Pull straps of new/existing headrest pillow around the back canes.
5. Pressing firmly, attach the fastening strips of the new/existing headrest pillow to the fastening strips on the back of the headrest upholstery.

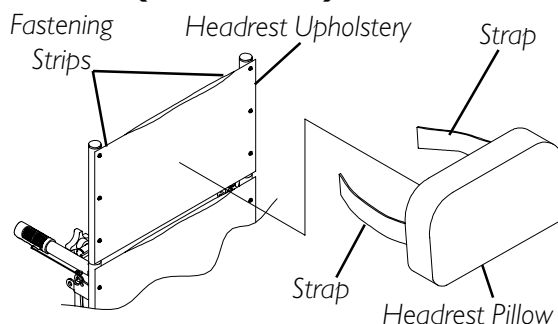


FIGURE 2 - REPLACING THE HEADREST PILLOW

REPLACING THE HEADREST/BACK UPHOLSTERY (FIGURE 3)

HEADREST UPHOLSTERY

1. Remove the headrest pillow. Refer to [REPLACING THE HEADREST PILLOW](#) in this section of the manual.
2. Remove the six (6) mounting screws that secure the headrest upholstery to the headrest extension tubes.
3. Secure NEW headrest upholstery onto headrest extension tubes with the existing six (6) mounting screws.
4. Install headrest pillow. Refer to [REPLACING THE HEADREST PILLOW](#) in this section of the manual.

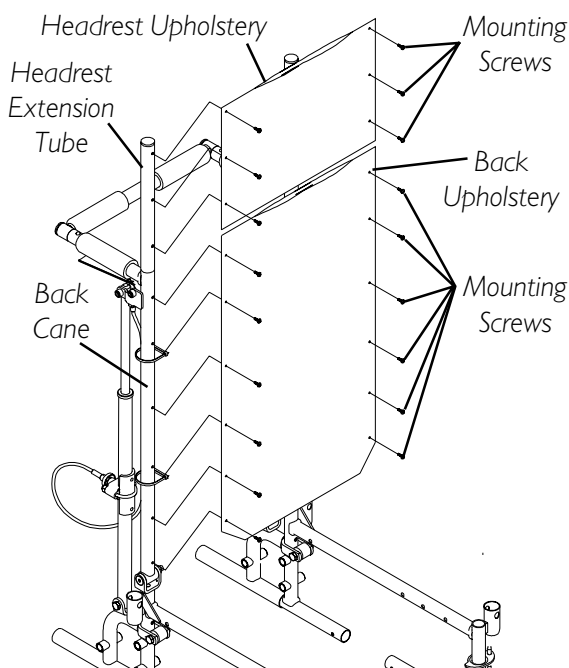


FIGURE 3 - REPLACING THE HEADREST/BACK UPHOLSTERY

BACK UPHOLSTERY

1. Disengage one (1) side of the spreader bar. Refer to [REMOVING/INSTALLING THE SPREADER BAR](#) in this section of the manual.

NOTE: To remove and install the bottom two (2) mounting screws of the back upholstery the wheelchair must be partially folded. Refer to [SAFETY/HANDLING OF WHEELCHAIRS](#) in SECTION 1 of this manual

2. Remove the twelve (12) mounting screws that secure the back upholstery to the back canes.
3. Secure NEW back upholstery to back canes with the existing twelve (12) mounting screws. Securely tighten.
4. Reengage spreader bar. Refer to [REMOVING/INSTALLING THE SPREADER BAR](#) in this procedure of the manual.

REMOVING/INSTALLING THE SPREADER BAR (FIGURE 4)**WARNING**

Make sure both release buttons of the spreader bar fully protrude out through the holes in the handle **BEFORE** using the wheelchair.

REMOVING

1. Push in release button on one side of existing spreader bar.
2. While holding spreader bar, pull the lock tube until the release button is out of the handle of the back cane.
3. Drop the spreader bar to one side.
4. Repeat STEPS 1-2 on opposite end of spreader bar.

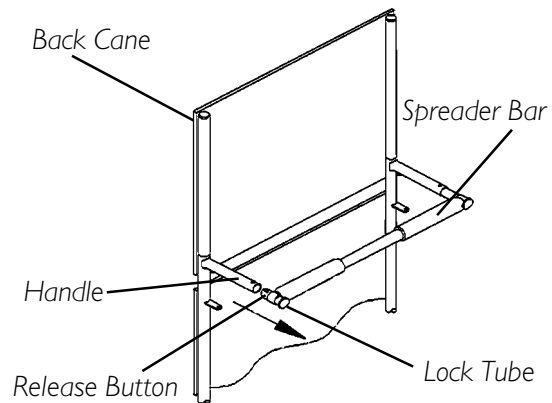


FIGURE 4 - REMOVING/INSTALLING THE SPREADER BAR

INSTALLING

1. Push in release button on one of the lock tubes of the new/existing spreader bar.
2. Insert lock tube into the handle of the back cane.
3. Ensure the release button fully protrudes out of the hole in the back cane handle.
4. Repeat STEPS 1-3 on opposite end of spreader bar.

REMOVING AND INSTALLING ARMREST (FIGURE 5)**WARNING**

Make sure the armrest is securely locked **BEFORE** using the wheelchair.

REMOVING ARMREST

1. Unlock the rear armrest by rotating the armrest release lever towards the outside of the wheelchair.
1. Press IN the armrest release buttons at the front of the armrest.
2. While pressing in the armrest release button, remove the armrest from the arm sockets by pulling straight up.

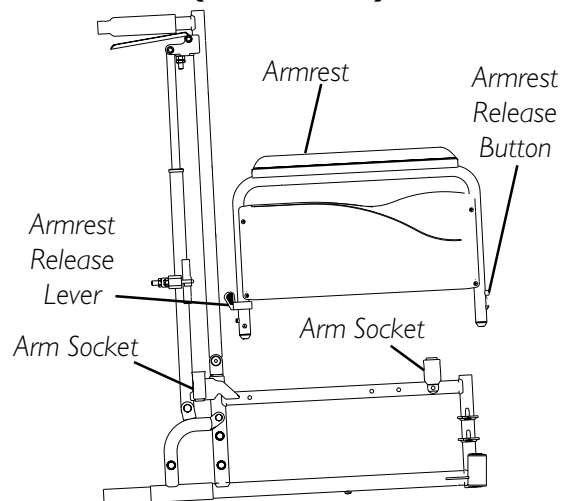


FIGURE 5 - REMOVING OR REPLACING ARMREST

NOTE: Rear armrest release lever must be in the unlocked position when installing the armrest.

1. Position the armrest just above the front and rear arm sockets.
2. Push arm down evenly at the front and rear until the front armrest release button snaps into the front arm socket.
3. Lock rear armrest by turning the armrest release lever towards the back of the wheelchair.
4. Ensure armrest is locked securely in the arm sockets by gently lifting up. If not locked, repeat STEPS 1-3.

REMOVING/INSTALLING THE REAR WHEELS (FIGURE 6)

WARNING

If changing the size of the rear wheel or a change in the **SEAT-TO-FLOOR HEIGHT** is desired, this procedure **MUST** be performed by a qualified technician.

Ensure both rear wheels are the same size before using.

TRACER SX5 RECLINER ONLY: Mount the rear wheels in the **Rear Wheel Offset Bracket ONLY**. **NEVER** reposition the rear wheels to the forward position, as stability of the wheelchair will decrease, and injury or damage may result.

REMOVING

1. Note mounting position of **EXISTING** rear wheel.
2. Remove the axle mounting screw and locknut that secure the **EXISTING** rear wheel and spacer to the wheel offset bracket.
3. Remove the **EXISTING** rear wheel from wheel offset bracket.

INSTALLING

1. Secure the new/existing rear wheel and spacer to wheel offset bracket with axle mounting screw and locknut. Securely tighten.

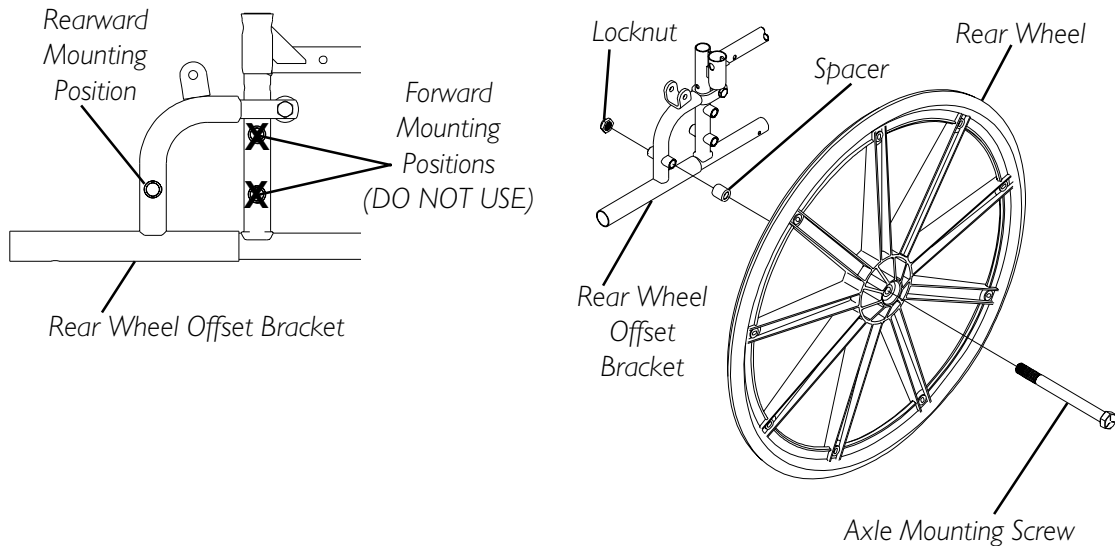


FIGURE 6 - REMOVING/INSTALLING THE REAR WHEELS

Section 11 - Options includes the following:	
Installing the Amputee Bracket	Installing the Crutch and Cane Carrier
Installing the Seat Positioning Strap	Installing the Telescoping I.V. Rod

NOTE: The procedures in this section of the manual refer to NON-RECLINER wheelchairs, EXCEPT INSTALLING THE SEAT POSITIONING STRAP.

WARNING

After ANY adjustments, repair or service and BEFORE use, make sure all attaching hardware is tightened securely - otherwise injury or damage may occur.

INSTALLING THE AMPUTEE BRACKET (FIGURE 1)

1. Refer to the following chart or FIGURE 1 to determine the mounting position of the amputee bracket:
2. Install the amputee bracket on the wheelchair frame to the position determined in STEP 1.

NOTE: Make sure the axle spacer is located to the outside of the wheelchair.

3. Install the two (2) hex screws and locknuts that secure the amputee bracket to the wheelchair.
4. Install the rear wheels onto the wheelchair. Refer to REMOVING/INSTALLING THE REAR WHEELS in SECTION 6 of this manual.

SEAT-TO-FLOOR	*BRACKET	AXLE SPACER POSITION (on bracket)	SIDE OF WHEELCHAIR	AXLE MOUNTING POSITION (on wheelchair)
ADULT	A	DOWN	RIGHT	TOP
ADULT	B	DOWN	LEFT	TOP
HEMI	B	UP	RIGHT	BOTTOM
HEMI	A	UP	LEFT	BOTTOM

*"A" and "B" are stamped on the sides of the amputee bracket.

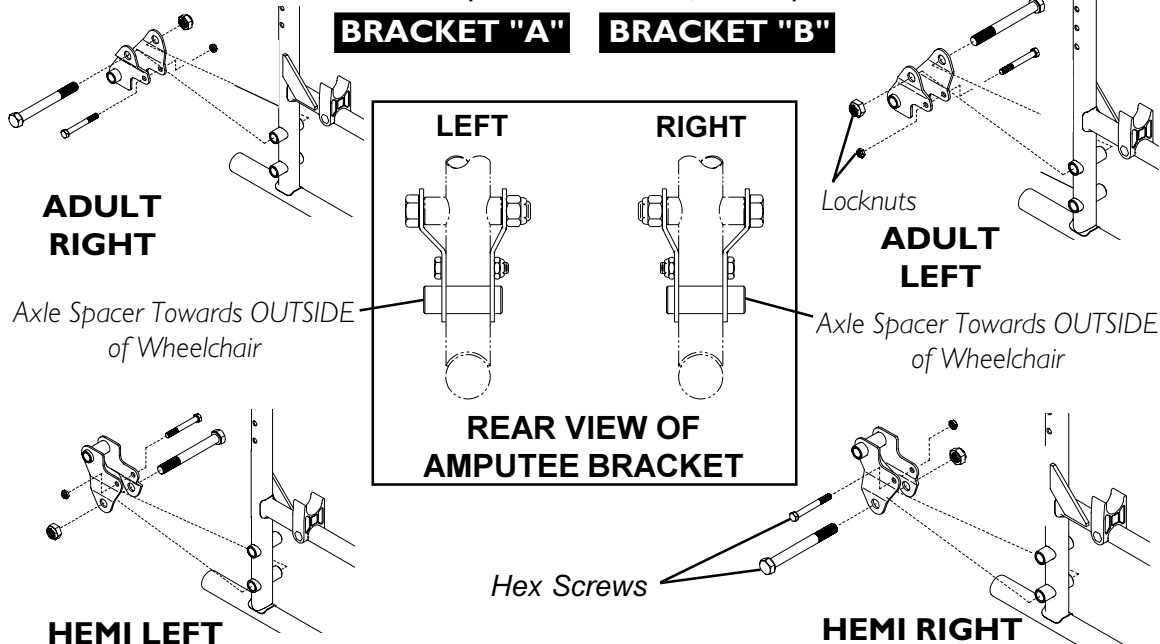
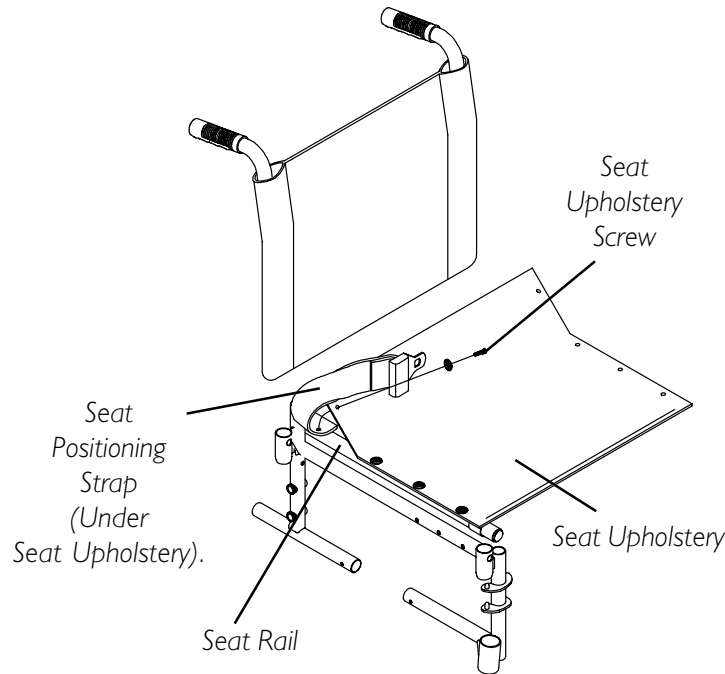


FIGURE 1 - INSTALLING THE AMPUTEE BRACKET

INSTALLING THE SEAT POSITIONING STRAP (FIGURE 2)**WARNING**

ALWAYS wear your **SEAT POSITIONING STRAP**. Inasmuch as the **SEAT POSITIONING STRAP** is an option on this wheelchair (You may order with or without the **SEAT POSITIONING STRAP**), Invacare strongly recommends ordering the **SEAT POSITIONING STRAP** as an additional safeguard for the wheelchair user.

1. Remove the rear seat upholstery screw from the wheelchair.
2. Position one seat positioning strap half between the seat rail and seat upholstery.
3. Secure the seat upholstery and seat positioning strap to the wheelchair with the existing seat upholstery screw.
4. Repeat STEPS 1-3 for the opposite side of the wheelchair.

**FIGURE 2 - INSTALLING THE SEAT POSITIONING STRAP**

INSTALLING THE CRUTCH AND CANE CARRIER (FIGURE 3)**WARNING**

Check base weekly to secure proper placement.

Strap must be securely fastened while carrying items.

Never insert or remove items while wheelchair is moving.

1. Slide the clamp with the base attached over the end of the step tube of the wheelchair.
2. Position the base parallel to the step tube.

CAUTION

Base should be parallel to step tube to avoid bending spokes when folding the wheelchair.

3. Securely tighten the locknut that secures the base to the step tube of the wheelchair.
4. Remove the upper back upholstery screw and washer.
5. Align the strap with the back upholstery screw mounting hole.
6. Reinstall the back upholstery screw and washer and secure the strap to the wheelchair.
7. The base cleans easily with any chrome or glass cleaner. The strap can be cleaned with mild soap and water.

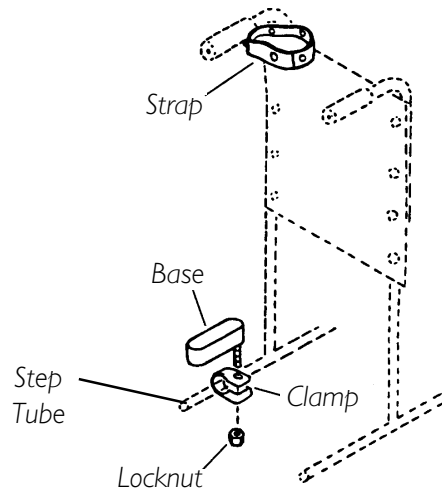


FIGURE 3 - INSTALLING THE CRUTCH AND CANE CARRIER

INSTALLING THE TELESCOPING I.V. ROD (FIGURE 4)

NOTE: Flip-back style arms will not flip back when used on the same side of the wheelchair as the telescoping I.V. rod.

WARNING

The telescoping I.V. rod/O₂ holder **MUST** be checked weekly to ensure it is tightly secured to the wheelchair frame. If there is any looseness whatsoever, tighten the attachment hardware securely **BEFORE** using.

TELESCOPING I.V. ROD HOLDER ONLY - Make sure the telescoping I.V. rod is tightly locked **BEFORE** placing I.V. medication on the rod.

The telescoping I.V. rod is designed to support I.V. medication only. **DO NOT** use it to support objects other than I.V. medication.

INSTALLING THE TELESCOPING I.V. ROD

1. Determine if the telescoping I.V. rod will be mounted on the right or left side of the wheelchair.

NOTE: The telescoping I.V. rod is factory set for installation onto either the right side of a wheelchair with back upholstery mounted to the front of the back canes. Refer to REPOSITIONING THE UPPER ATTACHMENT in this procedure if any other mounting position is desired.

2. Position the I.V. rod mounting bracket on the step tube on the side determined in STEP 1.
3. Loosely install the lug screw, spacer and locknut that secure the mounting bracket to the back cane.
4. Remove the top phillips screw and washer from the back upholstery.
5. Line up the mounting holes in the back cane, back upholstery and upper attachment.
6. Reinstall the washer and phillips screw and securely tighten.
7. Securely tighten all attaching hardware.
8. Loosen the adjustment knob and position the I.V. rod to the desired height and securely tighten the adjustment knob.

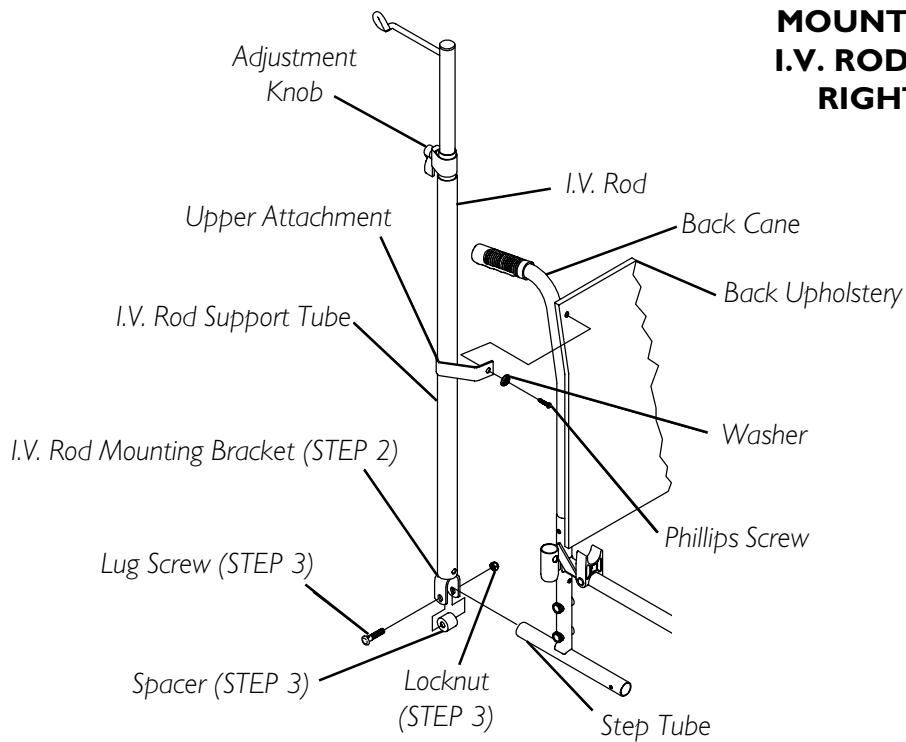
REPOSITIONING THE UPPER ATTACHMENT

1. With the Telescoping I.V. rod in the lowest position, align the hole of the outer tube with the phillips screw of the inner tube. Remove phillips screw and set aside.
2. Remove the inner tube from the outer tube.

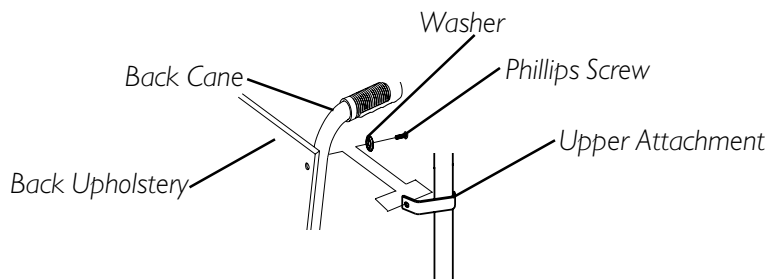
NOTE: Take note of the position and orientation of the height adjustment assembly before removing. The height adjustment assembly must be positioned to face away from the wheelchair when installed.

3. Firmly grasp the height adjustment assembly and Pull to remove from the outer tube.
4. Slide the upper attachment UP off of the outer tube.
5. Rotate the upper attachment 180° and reinstall onto the outer tube.
6. Reverse STEPS 1-4 to reassemble the telescoping I.V. rod.

MOUNTING THE I.V. ROD ON THE RIGHT SIDE



MOUNTING THE I.V. ROD ON THE LEFT SIDE



DETAIL "A" - REPOSITIONING THE UPPER ATTACHMENT

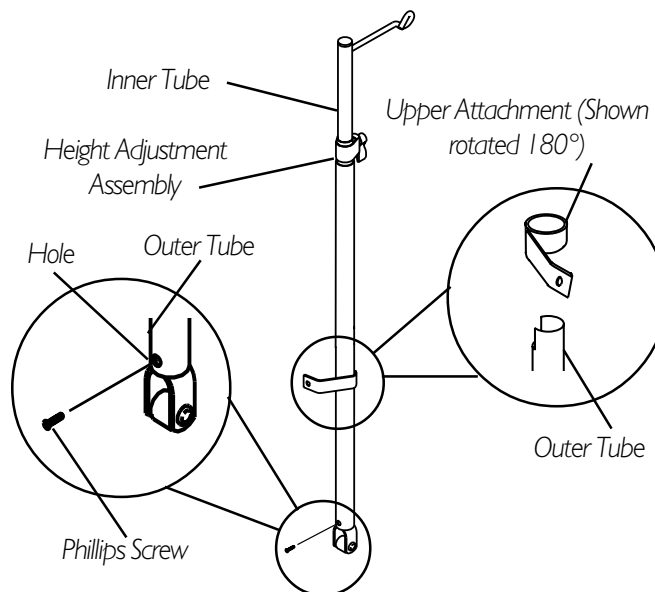


FIGURE 4 - INSTALLING THE TELESCOPING I.V. ROD ON NON-TRANSPORT WHEELCHAIRS ONLY

LIMITED WARRANTY

PLEASE NOTE: THE WARRANTY BELOW HAS BEEN DRAFTED TO COMPLY WITH FEDERAL LAW APPLICABLE TO PRODUCTS MANUFACTURED AFTER JULY 4, 1975.

This warranty is extended only to the original purchaser/user of our products.

This warranty gives you specific legal rights and you may also have other legal rights which vary from state to state.

Invacare warrants its product to be free from defects in materials and workmanship for a period of one (1) year from date of purchase. The side frames and crossmembers are warranted for the lifetime of the original purchaser/users. If within such warranty period any such product shall be proven to be defective, such product shall be repaired or replaced, at Invacare's option. This warranty does not include any labor or shipping charges incurred in replacement part installation or repair of any such product. Invacare's sole obligation and your exclusive remedy under this warranty shall be limited to such repair and/or replacement.

For warranty service, please contact the dealer from whom you purchased your Invacare product. In the event you do not receive satisfactory warranty service, please write directly to Invacare at the address at the bottom of this page. Provide dealer's name, address, the product model number, date of purchase, indicate nature of the defect and, if the product is serialized, indicate the serial number. Do not return products to our factory without our prior consent.

LIMITATIONS AND EXCLUSIONS: THE FOREGOING WARRANTY SHALL NOT APPLY TO SERIAL NUMBERED PRODUCTS IF THE SERIAL NUMBER HAS BEEN REMOVED OR DEFACED, PRODUCTS SUBJECTED TO NEGLIGENCE, ACCIDENT, IMPROPER OPERATION, MAINTENANCE OR STORAGE, PRODUCTS MODIFIED WITHOUT INVACARE'S EXPRESS WRITTEN CONSENT INCLUDING, BUT NOT LIMITED TO, MODIFICATION THROUGH THE USE OF UNAUTHORIZED PARTS OR ATTACHMENTS; PRODUCTS DAMAGED BY REASON OF REPAIRS MADE TO ANY COMPONENT WITHOUT THE SPECIFIC CONSENT OF INVACARE, OR TO A PRODUCT DAMAGED BY CIRCUMSTANCES BEYOND INVACARE'S CONTROL, AND SUCH EVALUATION WILL BE SOLELY DETERMINED BY INVACARE. THE WARRANTY SHALL NOT APPLY TO PROBLEMS ARISING FROM NORMAL WEAR OR FAILURE TO ADHERE TO THESE INSTRUCTIONS.

THE FOREGOING EXPRESS WARRANTY IS EXCLUSIVE AND IN LIEU OF ANY OTHER WARRANTIES WHATSOEVER, WHETHER EXPRESS OR IMPLIED, INCLUDING THE IMPLIED WARRANTIES OF MERCHANTABILITY AND FITNESS FOR A PARTICULAR PURPOSE, AND THE SOLE REMEDY FOR VIOLATIONS OF ANY WARRANTY WHATSOEVER, SHALL BE LIMITED TO REPAIR OR REPLACEMENT OF THE DEFECTIVE PRODUCT PURSUANT TO THE TERMS CONTAINED HEREIN. THE APPLICATION OF ANY IMPLIED WARRANTY WHATSOEVER SHALL NOT EXTEND BEYOND THE DURATION OF THE EXPRESS WARRANTY PROVIDED HEREIN. INVACARE SHALL NOT BE LIABLE FOR ANY CONSEQUENTIAL OR INCIDENTAL DAMAGES WHATSOEVER.

THIS WARRANTY SHALL BE EXTENDED TO COMPLY WITH STATE/PROVINCIAL LAWS AND REQUIREMENTS.



Yes, you can.™

Invacare Corporation www.invacare.com

USA
One Invacare Way
Elyria, Ohio USA
44036-2125
800-333-6900

Canada
570 Matheson Blvd E Unit 8
Mississauga Ontario
L4Z 4G4 Canada
800-668-5324

Invacare and Tracer are registered trademarks of Invacare Corporation. Yes, you can. is a trademark of Invacare Corporation.

3-in-1 and WD-40 are registered trademarks of the WD-40 Company. Teflon is a registered trademark of E.I. Du Pont De Nemours and Company.
© 2002 Invacare Corporation

MADE IN MEXICO

Part No. 1110550 Rev A 08/02

Free Manuals Download Website

<http://myh66.com>

<http://usermanuals.us>

<http://www.somanuals.com>

<http://www.4manuals.cc>

<http://www.manual-lib.com>

<http://www.404manual.com>

<http://www.luxmanual.com>

<http://aubethermostatmanual.com>

Golf course search by state

<http://golfingnear.com>

Email search by domain

<http://emailbydomain.com>

Auto manuals search

<http://auto.somanuals.com>

TV manuals search

<http://tv.somanuals.com>